

Before returning this product call
1-800-4-DEWALT

IF YOU SHOULD EXPERIENCE A PROBLEM WITH YOUR DEWALT PURCHASE,

CALL 1-800-4-DEWALT

IN MOST CASES, A DEWALT REPRESENTATIVE CAN RESOLVE
YOUR PROBLEM OVER THE PHONE.

IF YOU HAVE A SUGGESTION OR COMMENT, GIVE US A CALL.
YOUR FEEDBACK IS VITAL TO THE SUCCESS OF DEWALT'S QUALITY
IMPROVEMENT PROGRAM.

*Questions? Visit us at www.DEWALT.com
Des questions ? Rendez nous visite à www.DEWALT.com
¿Tiene preguntas? Visítenos en www.DEWALT.com*



INSTRUCTION MANUAL
GUIDE D'UTILISATION
MANUAL DE INSTRUCCIONES

DEWALT®

D24000 Wet Tile Saw
Coupe-tuile à l'eau D24000
Sierra de corte húmedo D24000

IF YOU HAVE ANY QUESTIONS OR COMMENTS ABOUT
THIS OR ANY DEWALT TOOL, CALL US TOLL FREE AT:
1-800-4-DEWALT (1-800-433-9258)

This product is covered under U.S. Patent No. D486,165
and other patents pending.

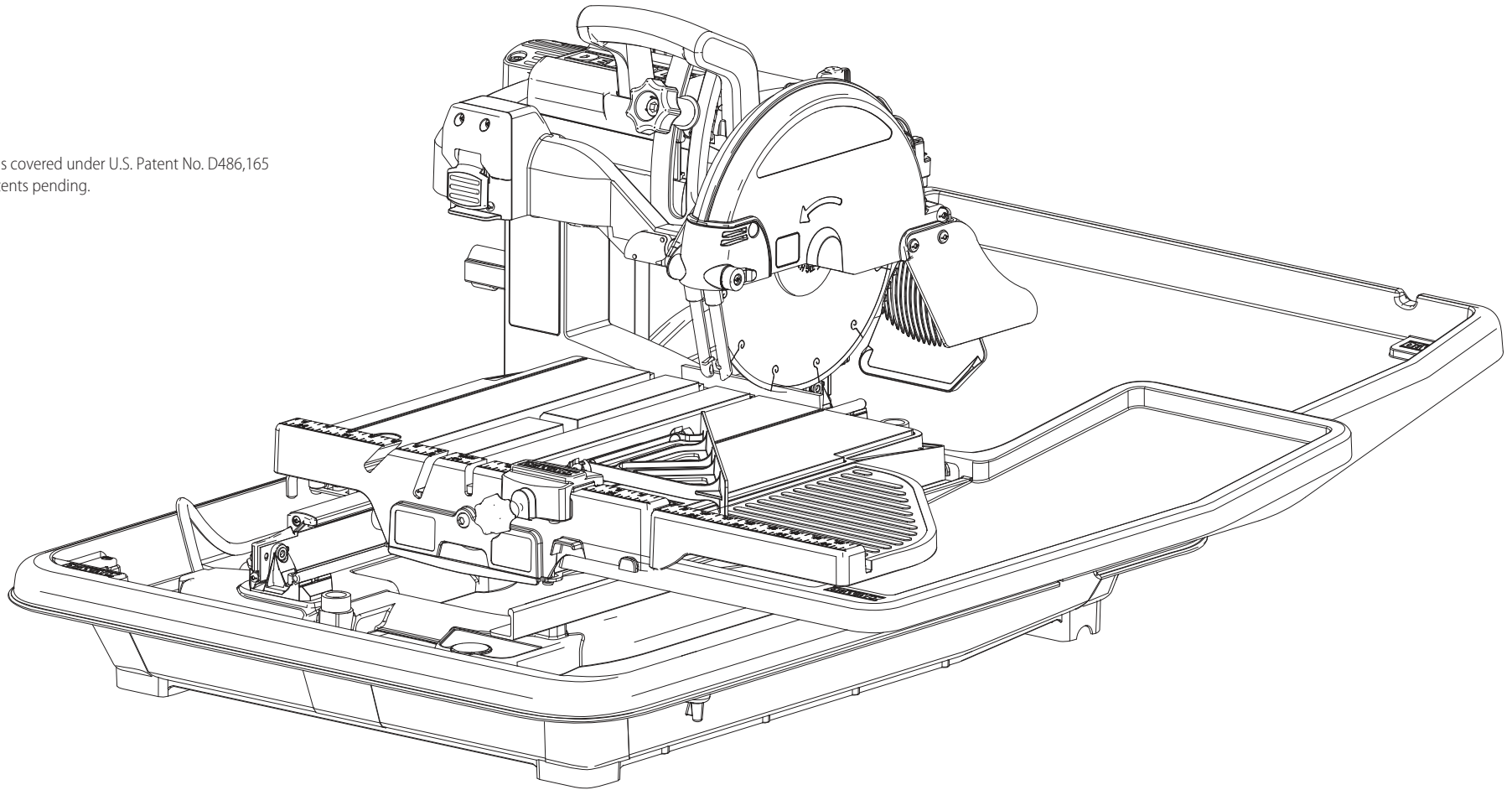


TABLE OF CONTENTS

IMPORTANT SAFETY INSTRUCTIONS FOR ALL TOOLS	2	ADJUSTMENTS	8
GROUNDING INSTRUCTIONS	2	CUTTING WHEEL SQUARE TO CART	8
ADDITIONAL SAFETY RULES FOR WET TILE SAWS	3	CUTTING WHEEL 45° TO THE CART	8
QUICK START GUIDE.....	4	CUTTING PARALLEL TO CUTTING CART.....	9
FEATURES.....	6	CART ROLLING RESISTANCE (RAIL ADJUSTMENT)	9
ASSEMBLY.....	6	BEVEL POINTER	9
SPECIFICATIONS.....	6	DEPTH OF CUT.....	9
OPERATION	7	CUT INDICATOR.....	9
TOOL PLACEMENT	7	MAINTENANCE	9
MOTOR.....	7	BRUSHES	9
ON/OFF SWITCH	7	TRANSPORTATION AND STORAGE	9
WATER NOZZLES.....	7	CLEANING.....	9
CUTTING WHEEL ALIGNMENT	7	LUBRICATION	9
CUTTING WHEEL DEPTH.....	7	ACCESSORIES	10
MAKING A CUT	7	REPAIRS.....	10
LOCKING THE CUTTING CART	7	WARRANTY.....	10
TYPES OF CUT	7	TROUBLESHOOTING GUIDE.....	11

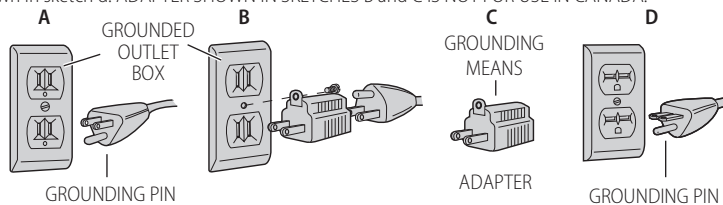
Important Safety Instructions for All Tools

WARNING: For your own safety, read the instruction manual before operating the wet tile saw. Failure to heed these warnings may result in personal injury and serious damage to the saw. When servicing this tool, use only identical replacement parts. Have damaged cords replaced by an authorized service center.

Grounding Instructions

- In the event of a malfunction or breakdown, grounding provides a path of least resistance for electric current to reduce the risk of electric shock. This tool is equipped with an electric cord having an equipment-grounding conductor and a grounding plug. The plug must be plugged into a matching outlet that is properly installed and grounded in accordance with all local codes and ordinances.
- Do not modify the plug provided – if it will not fit the outlet, have the proper outlet installed by a qualified electrician.
- Improper connection of the equipment-grounding conductor can result in a risk of electric shock. The conductor with insulation having an outer surface that is green with or without yellow stripes is the equipment-grounding conductor. If repair or replacement of the electric cord or plug is necessary, do not connect the equipment-grounding conductor to a live terminal.
- Check with a qualified electrician or service personnel if the grounding instructions are not completely understood, or if in doubt as to whether the tool is properly grounded.
- Use only 3-wire extension cords that have 3-prong grounding plugs and 3-pole receptacles that accept the tool's plug.
- Repair or replace damaged or worn cord immediately.

This tool should be grounded while in use to protect the operator from electric shock. The tool is equipped with a 3-conductor cord and 3-prong grounding type plug to fit the proper grounding type receptacle. The green (or green and yellow) conductor in the cord is the grounding wire. Never connect the green (or green and yellow) wire to a live terminal. If your unit is intended for use on less than 150 V, it has a plug that looks like that shown in sketch A. If it is for use on 150 to 250 V, it has a plug that looks like that shown in sketch D. An adapter, sketches B and C, is available for connecting sketch A type plugs to 2-prong receptacles. The green-colored rigid ear, lug, or the like, extending from the adapter must be connected to a permanent ground, such as a properly grounded outlet box. No adapter is available for a plug as shown in sketch d. ADAPTER SHOWN IN SKETCHES B AND C IS NOT FOR USE IN CANADA.



WARNING: To reduce the risk of electrocution, keep all connections dry and off the ground.

WARNING: A Ground Fault Circuit Interrupter (GFCI) is provided for use with the saw. Receptacles are available having built in GFCI protection and may be used for an added measure of safety. When using an extension cord, the GFCI should be installed to the power supply before the extension cord.

WARNING: The water pump must be plugged into a GFCI protected receptacle.

NOTE: Do not run the pump dry.

WARNING: Test GFCI before each use:

- Plug GFCI into power outlet. Indicator should turn red.
- Press test button. Red indicator should disappear.
- Press reset button for use. Do not use if above test fails.

CAUTION: WHEN SERVICING USE ONLY IDENTICAL REPLACEMENT PARTS. Repair or replace damaged cords. Always replace cord with a GFCI cord.

WARNING: Never use saw with salt water or a conductive fluid.

WARNING: when using electric tools, basic safety precautions should always be followed to reduce risk of fire, electric shock, and personal injury, including the following:

- KEEP GUARDS IN PLACE and in working order.

- REMOVE ADJUSTING KEYS AND WRENCHES. Form habit of checking to see that keys and adjusting wrenches are removed from tool before turning it on.
- Keep WORK AREA CLEAN. Cluttered areas and benches invite injuries.
- DON'T USE IN DANGEROUS ENVIRONMENT. Don't use power tools in damp or wet locations, or expose them to rain or snow. Keep work area well lighted.
- KEEP CHILDREN AWAY. All visitors should be kept safe distance from work area.
- MAKE WORKSHOP KID PROOF with padlocks, master switches, or by removing starter keys.
- DON'T FORCE TOOL. It will do the job better and safer at the rate for which it was designed.
- USE RIGHT TOOL. Don't force tool or attachment to do a job for which it was not designed.
- USE PROPER EXTENSION CORD. Make sure your extension cord is in good condition. When using an extension cord, be sure to use one heavy enough to carry the current your product will draw. An undersized cord will cause a drop in line voltage resulting in loss of power and overheating. The following table shows the correct size to use depending on cord length and nameplate ampere rating. If in doubt, use the next heavier gage. The smaller the gage number, the heavier the cord.

Minimum Gauge for Cord Sets

Volts		Total Length of Cord in Feet (meters)			
120 V		25 (7.6)	50 (15.2)	100 (30.5)	150 (45.7)
240 V		50 (15.2)	100 (30.5)	200 (61.0)	300 (91.4)
Ampere Rating		American Wire Gauge			
More Than	Not More Than				
0	6	18	16	16	14
6	10	18	16	14	12
10	12	16	16	14	12
12	16	14	12	Not Recommended	

- WEAR PROPER APPAREL. Do not wear loose clothing, gloves, neckties, rings, bracelets, or other jewelry which may get caught in moving parts. Non-slip footwear is recommended. Wear protective hair covering to contain long hair. Air vents often cover moving parts and should also be avoided.
- ALWAYS USE SAFETY GLASSES. Also use face or dust mask if cutting operation is dusty. Everyday eyeglasses only have impact resistant lenses, they are not safety glasses.
- SECURE WORK. Always place tile flat on cart and securely against fence.
- Never use a pan heater or other heat source for heating water. Damage to the tool, fire or personal injury could result.
- DON'T OVERREACH. Keep proper footing and balance at all times.
- MAINTAIN TOOLS WITH CARE. Keep tools sharp and clean for best and safest performance. Follow instructions for lubricating and changing accessories.
- DISCONNECT TOOLS before servicing; when changing accessories, such as cutting wheels, clamps, extensions, and the like.
- REDUCE THE RISK OF UNINTENTIONAL STARTING. Make sure switch is in off position before plugging in.
- USE RECOMMENDED ACCESSORIES. Consult the instruction manual for recommended accessories. The use of improper accessories may cause risk of injury to persons.
- NEVER STAND ON TOOL. Serious injury could occur if the tool is tipped or if the cutting tool is unintentionally contacted.
- CHECK DAMAGED PARTS. Before further use of the tool, a guard or other part that is damaged should be carefully checked to determine that it will operate properly and perform its intended function—check for alignment of moving parts, binding of moving parts, breakage of parts, mounting, and any other conditions that may affect its operation. A guard or other part that is damaged should be properly repaired or replaced.
- DIRECTION OF FEED. Feed work into a cutting wheel with the direction of rotation only.
- NEVER LEAVE TOOL RUNNING UNATTENDED. TURN POWER OFF. Don't leave tool until it comes to a complete stop.
- REPLACEMENT PARTS. When servicing, use only identical replacement parts.

Additional Safety Rules for Wet Tile Saw

⚠ WARNING: To reduce the risk of electrocution, keep all connections dry and off the ground. Do not touch plug with wet hands.

⚠ CAUTION: Wear appropriate hearing protection during use. Under some conditions and duration of use, noise from this product may contribute to hearing loss.

⚠ CAUTION: Do not connect unit to electrical power source until complete instructions are read and understood.

- Use safety equipment. Always wear eye protection. Dust mask, non-skid safety shoes, hard hat, or hearing protection must be used for appropriate conditions.
- Keep hands out of path of saw cutting wheel. Never cut a piece where hand would be 3" (76 mm) or less from cutting wheel.
- Do not operate saw without cover in place.
- Do not perform any operation freehand, that is without holding the workpiece firmly against the fence and guide.
- Never reach in back of the cutting wheel.
- DO - Use cutting cart extension to support large tile.
- DONT - Cut dry. If cutting wheel is not cooled with water, serious damage will occur. Dry cutting will increase exposure to harmful airborne dust.
- Turn off the tool and wait for cutting wheel to stop before moving the workpiece or changing settings.
- To reduce risk of injury, return the carriage to the full rear position after each cut.
- DO - Protect electric supply line with at least a 15 ampere time-delay fuse or a circuit breaker.
- DO - Make certain the cutting wheel rotates in the correct direction as indicated by the arrow on the cutting wheel.
- DO - Be sure all clamp handles and knobs are tight before starting any operation.
- DO - Be sure all cutting wheel and clamp washers are clean and recessed sides of collars are against cutting wheel. Tighten arbor screw securely.
- DO - Keep the cutting wheel properly aligned.
- DO - Keep the motor air slots free of chips and dirt.
- DO - Keep hands out of the path of the saw cutting wheel.
- DO - Shut off power, disconnect cord from power source and wait for the saw cutting wheel to stop before servicing, adjusting tool or changing cutting wheel.
- DONT - Attempt to operate on anything but designated voltage. Incorrect voltage may result in shock, fire, or unpredictable operation.
- DONT - Operate unless all knobs and clamp handles are tight.
- DONT - Use cutting wheels larger or smaller than those which are recommended.
- DONT - Force cutting action. Allow motor to reach full speed before cutting. Stalling or partial stalling of motor can cause major damage.
- DONT - Use metal cutting abrasive wheels. The excessive heat and abrasive particles generated by them will damage the saw.
- DO - Use continuous rim wheels only, no serrated edges.
- DONT - Allow anyone to stand behind saw.
- DONT - Place either hand in the cutting wheel area when the saw is connected to the power source.
- DONT - Use cutting wheels rated less than 5000 R.P.M.
- DONT - Place hands closer than 3" (76 mm) from the saw cutting wheel.
- DONT - Reach behind or underneath the saw unless it is turned off and unplugged.
- DONT - Move either hand from saw or workpiece until the cutting wheel has stopped.
- If the plug or receptacle does get wet. DONT unplug the cord. Disconnect the fuse or circuit breaker that supplies power to the tool. Then unplug and examine for presence of water in the receptacle.

⚠ WARNING: Some dust created by power sanding, sawing, grinding, drilling, and other construction activities contains chemicals known to the State of California to cause cancer, birth defects or other reproductive harm. Some examples of these chemicals are:

- lead from lead-based paints,

- crystalline silica from bricks and cement and other masonry products, and
- arsenic and chromium from chemically-treated lumber.

Your risk from these exposures varies, depending on how often you do this type of work. To reduce your exposure to these chemicals: work in a well ventilated area, and work with approved safety equipment, such as those dust masks that are specially designed to filter out microscopic particles.

- Avoid prolonged contact with dust from power sanding, sawing, grinding, drilling, and other construction activities. Wear protective clothing and wash exposed areas with soap and water. Allowing dust to get into your mouth, eyes, or lay on the skin may promote absorption of harmful chemicals.

⚠ WARNING: Use of this tool can generate and/or disburse dust, which may cause serious and permanent respiratory or other injury. Always use NIOSH/OSHA approved respiratory protection appropriate for the dust exposure. Direct particles away from face and body.

For your convenience and safety, the following warning labels are on your wet tile cutter.

On Column

⚠ WARNING: FOR YOUR OWN SAFETY, READ INSTRUCTION MANUAL BEFORE OPERATING tile Saw.

- ALWAYS use EYE PROTECTION.
- Always use proper respiratory protection.
- Keep hands out of path of cutting wheel.
- Use tool only with smooth edge cutting wheels free of openings and grooves.
- Do not operate saw without covers in place.
- Always tighten adjustment knobs before use.
- Do not perform any operation freehand.
- Never reach in back of cutting wheel.
- Never cross arms in front of cutting wheel.
- Turn off tool and wait for cutting wheel to stop before moving work piece or changing settings.
- Disconnect power before changing cutting wheels, servicing or cleaning.
- To reduce risk of injury always plug tool into a GFCI receptacle and test GFCI before use.
- Always return CUTTING wheel to proper position before turning on saw.
- Use splash guard for every operation for which it can be used.
- Replace damaged cutting wheel before operating.
- Do not expose to rain or use in damp locations.
- Never use pan heater or other heater source for heating water. damage to the tool, fire or personal injury could result.
- Think! you can prevent accidents.

On Cutting Wheel Cover

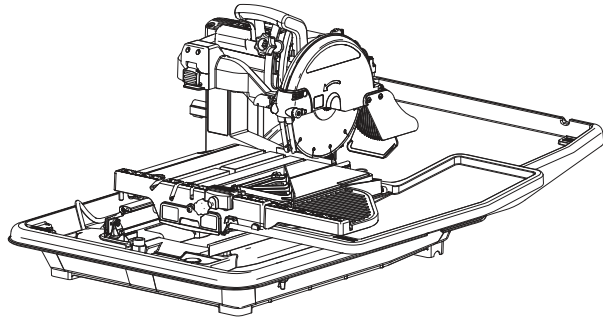
⚠ CAUTION: Properly secure cover with both screws before use.

On Cart

⚠ WARNING: To reduce the risk of injury, always verify the cutting wheel is adjusted to the correct height and location in the center of the cart groove before operating saw.

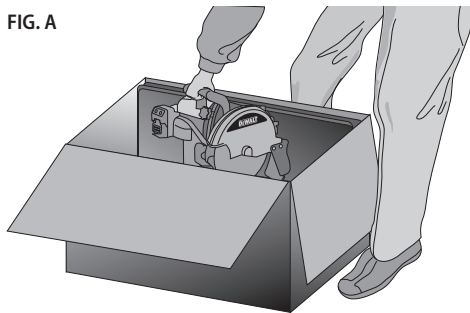
DEWALT®

Quick Start Guide D24000 Wet Tile Saw



WARNING: For your own safety, read the instruction manual before operating the wet tile saw. Failure to heed these warnings may result in personal injury and serious damage to the saw. When servicing this tool, use only identical replacement parts. Have damaged cords replaced by an authorized service center.

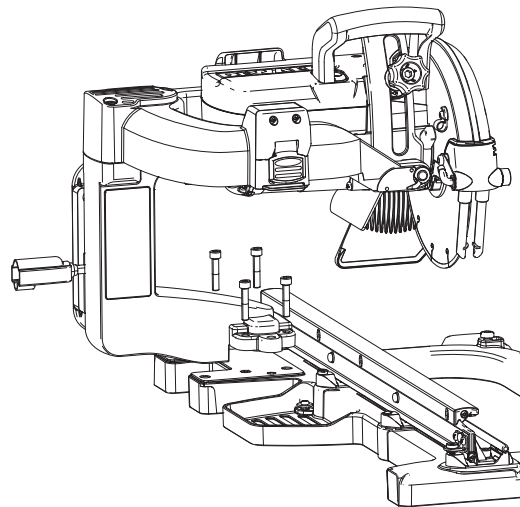
FIG. A



The motor arm assembly comes assembled. Open the box and lift the assembly out, as shown in Figure A.

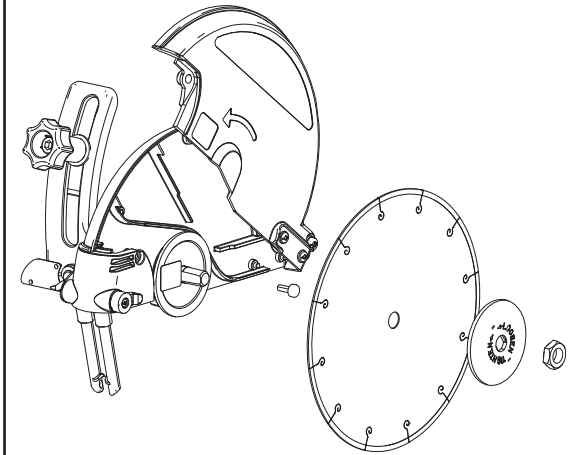
STEP 1

1. Install the motor arm onto frame assembly. Using the wrench supplied, install and tighten the two screws closest to the rail first. Install and tighten the other two screws.



STEP 2

2. Attach the cutting wheel.
 - a. Using the smaller hex wrench supplied, loosen (do not remove) the screw on the side of the cutting wheel cover. Pull the rubber side flap back and lift the cover toward the rear of the saw.
 - b. Press spindle lock button. Remove the cutting wheel nut with hex wrench provided. Remove outer flange.
 - c. Install the cutting wheel with the rotational arrow facing the same way as on the rotational arrow on the cutting wheel cover. Press the spindle lock button while tightening the cutting wheel nut.
 - d. Replace cover and tighten screw.



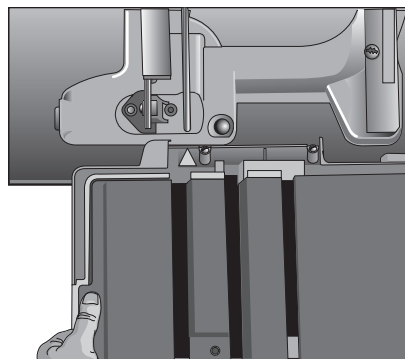
For further details, refer to
To Attach Cutting Wheel
in the
Instruction Manual.

STEP 3

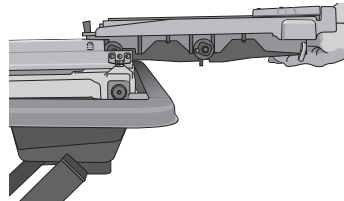
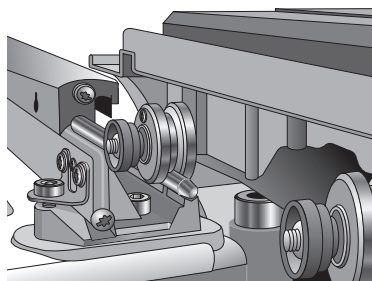
3. Attach the cutting cart to the rails.
For further details, refer to **Assembly** in the Instruction Manual.

NOTE: Make sure the cart lock is in full open position.

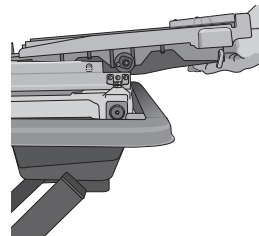
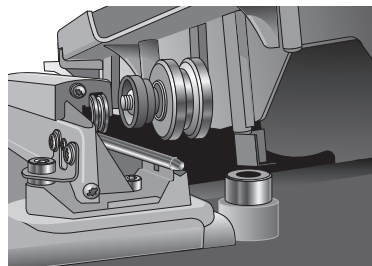
a. Align the arrow on the rear of the cutting cart with the round rail on the frame of the saw.



b. Place the rear roller assembly onto the round rail.

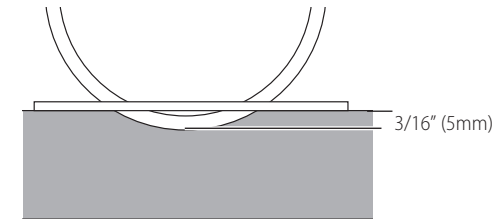


c. Slide the cutting cart assembly onto the rail system. Tilt the front of the cart upward slightly to clear the cart stop.

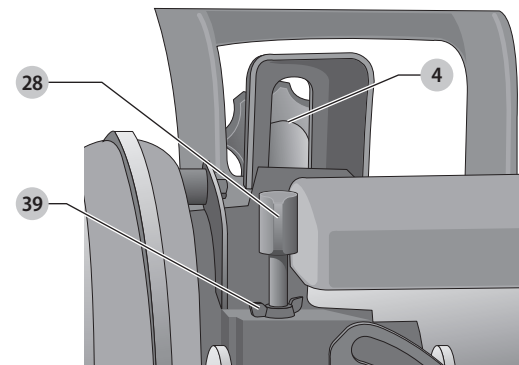


STEP 4

4. The outer rim of the cutting wheel should always be at least 3/16" (5 mm) below the cart surface. Push cart entirely through the cutting wheel before cutting to be sure that the cutting wheel depth is properly adjusted to avoid cutting the cart. Adjust the depth of cut knob **28** and tighten the locking wing nut **39**, then the head lock knob **4**.



For further details, refer to **Adjustments** in the Instruction Manual.



STEPS 5, 6, 7, 8

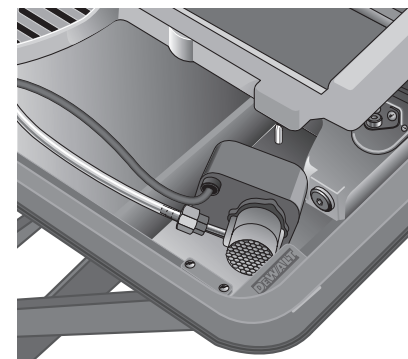
5. Place the saw in the water pan. The water pan drain hole should be in the front position.

6. Attach the water pump to the water line and insert pump power cord into the socket. Position pump properly in pan, as shown.

7. Fill the pan with 5 gallons of water. The pump should be submerged.

NOTE: For longer pump life, always place the pump in a clean water source.

8. Turn saw on.



FEATURES (FIG. A–D)

The motor arm assembly comes assembled. Open the box and lift the assembly out, as shown in Figure A.

- 1 On/Off switch
- 2 Motor arm assembly
- 3 Plunge handle
- 4 Head lock knob
- 5 Cutting wheel cover
- 6 Cutting wheel
- 7 Rear water attachment
- 8 Cutting cart assembly
- 9 Cutting cart water attachment
- 10 Edge guide
- 11 Water pan
- 12 Saw frame assembly
- 13 Water nozzles
- 14 Water pump

ASSEMBLY (FIG. B–D)

1. Place saw frame assembly **12** on a stable surface.
2. Using the supplied wrench remove the screws **15** from the saw frame assembly.
3. Place motor arm **2** on frame assembly.
4. Secure the saw head by installing two of the screws **15** into the holes closest to the rail. Tighten the screws with the wrench provided. Install the other two screws in the other two holes and tighten.
5. Place the saw assembly into the water pan **11** as shown in Figure B.
6. Tilt the front of the cutting cart assembly **8** down on a slight angle. Align the arrow on the rear of the cutting cart with the round rail on the frame of the saw. Slide the cutting cart assembly onto the rail system clearing the cart stop with both pairs of rollers.
7. Place the threaded fitting onto the water pump **14**. Attach the clear water tube **16** to the threaded fitting (Fig. D). Place the water pump in the deep corner of the water pan, near the drain plug. Insert the pump power cord into the socket **17**.
8. Install rear water attachment **7**.
9. Install cutting cart water attachment **9**.

To Attach Cutting Wheel (Fig. E)

1. Using the smaller hex wrench supplied, loosen (do not remove) the screw **18** on the side of the cutting wheel cover **5**. Pull the rubber side flap back and lift the cover toward the rear of the saw.
2. Press spindle lock button. Remove the cutting wheel nut **19** with hex wrench provided. Remove outer flange **20**.
3. Install the cutting wheel **6** with the rotational arrow facing the same way as on the rotational arrow on the cutting wheel cover. Press the spindle lock button **21** while tightening the cutting wheel nut.
4. Replace cover and tighten screw **18**.
5. Adjust cutting wheel depth (see **Cutting Depth**).

To Attach the Edge Guide (Fig. L)

1. Place edge guide **10** on the cutting cart assembly **8**.
2. Turn the edge guide lock **23** clockwise to tighten.

Specifications

Voltage	120 V
Amps	15A
RPM	4200
Depth of Cut	3-1/8" (80 mm)
Miter Angles	22.5° and 45°
Cutting Wheel sizes	7", 8", 9" and 10" Continuous Rim Cutting wheels and 6" Profile Wheel

Fig. B

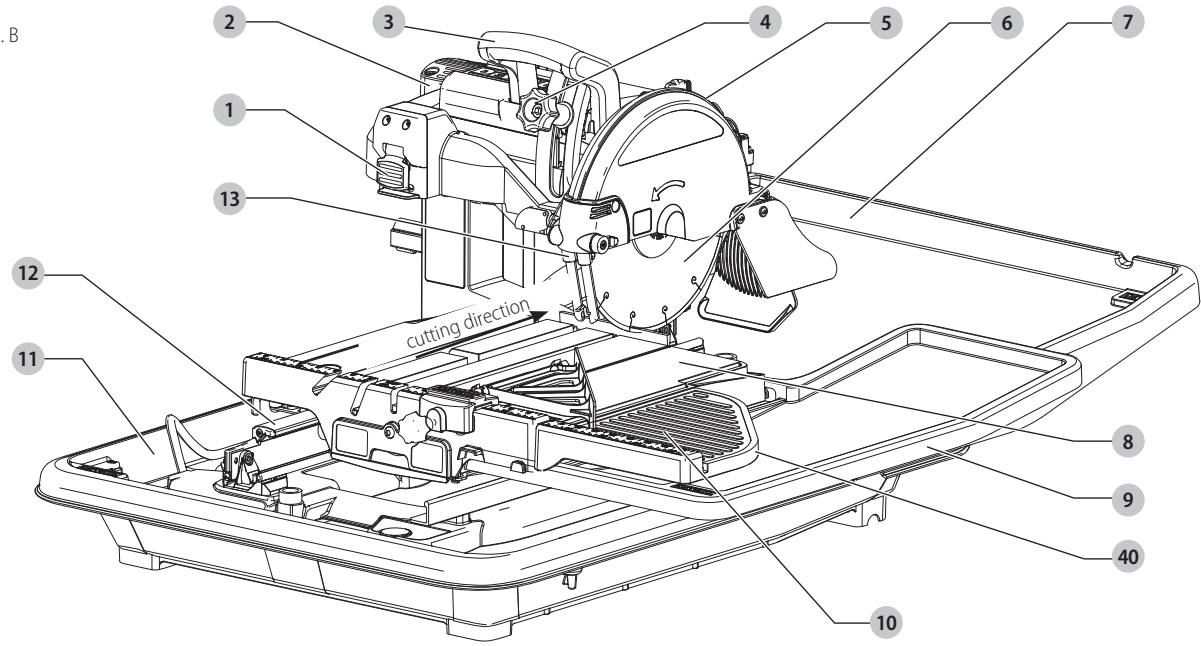


Fig. C

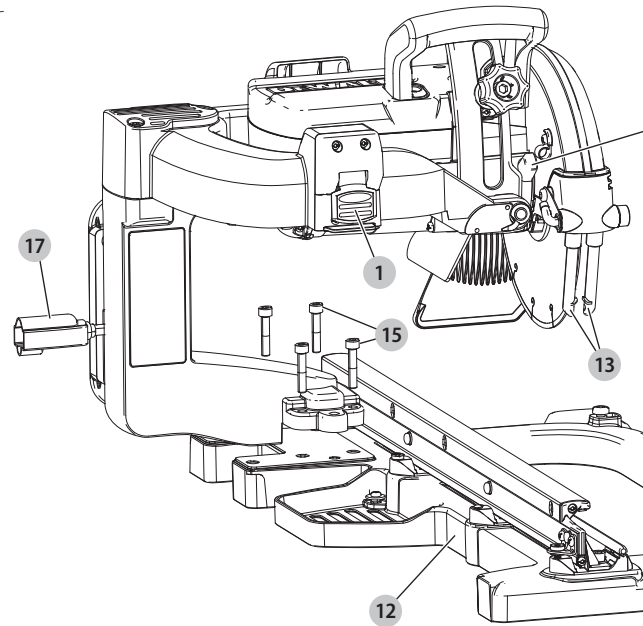


Fig. D

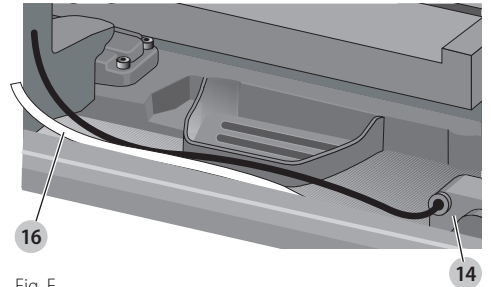
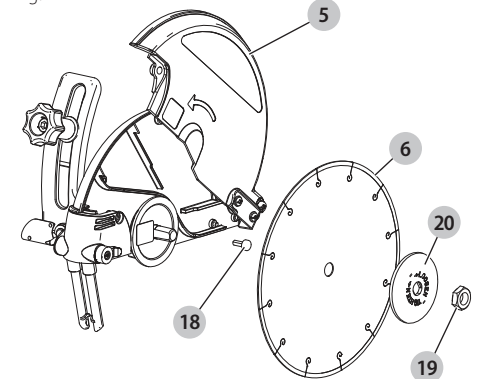


Fig. E



OPERATION

Tool Placement

Place stand (D24001, see Accessories) on a level surface. Place the saw into the stand as shown in Figure T.

If not using a stand, place saw on a level surface.

Motor

Be sure your power supply agrees with the nameplate marking. Voltage decrease of more than 10% will cause loss of power and overheating. All DEWALT tools are factory tested; if this tool does not operate, check the power supply.

- Always plug saw into a GFCI receptacle.
- Always plug extension cord into a GFCI receptacle.
- Use only extension cords that are intended for outdoor use. These extension cords are identified by a marking "Acceptable for use with outdoor appliance; store indoors while not in use."
- Use only extension cords having an electrical rating not less than the rating of the product.
- Do not use damaged extension cords. Examine extension cord before using and replace if damaged.
- Do not abuse extension cords and do not yank on any cord to disconnect.
- Keep cord away from heat and sharp edges.
- Always disconnect the extension cord from the receptacle before disconnecting the product from the extension cord.

On/Off Switch

⚠ WARNING: To avoid the possibility of the appliance plug or receptacle getting wet, position the wet tile saw to one side of a wall mounted receptacle to prevent water from dipping onto the receptacle or plug. The user should arrange a "drip loop" in the cord connecting the saw to the receptacle (Fig. F). The "drip loop" is that part of the cord below the level of the receptacle, or the connector if an extension cord is used, to prevent water traveling along the cord and coming in contact with the receptacle.

To turn the wet tile cutter on, lift up the on/off switch 1. The wet tile saw locks on automatically. To turn the tool off, push the on/off switch down. A hole is provided under the switch for insertion of a padlock to deter unauthorized use.

Water Nozzles

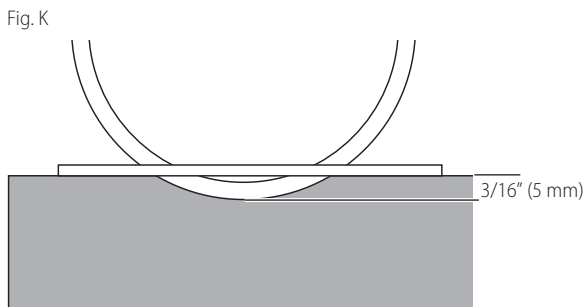
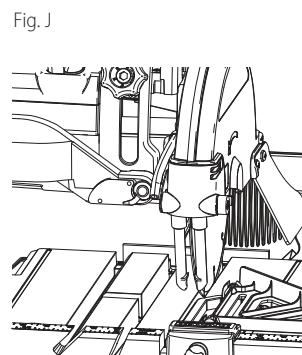
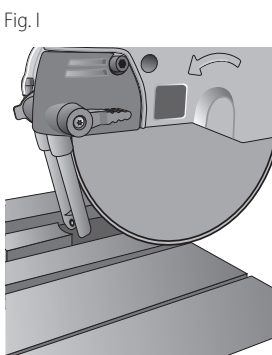
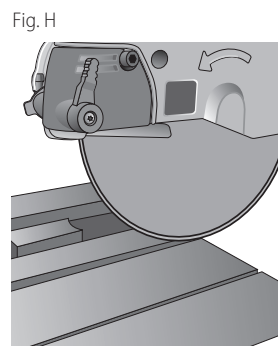
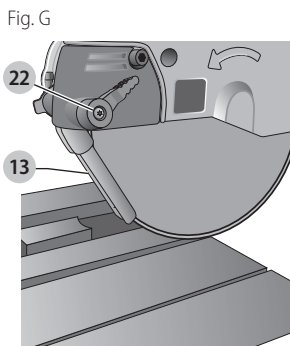
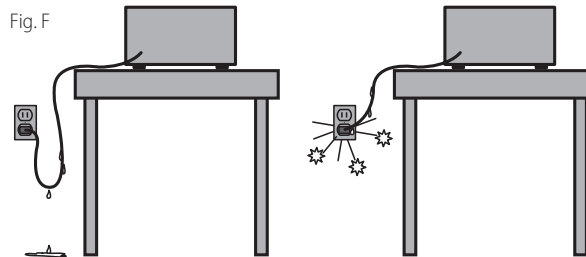
Water nozzles 13 are adjustable to provide maximum water for cutting and maximum capacity with the minimum amount of overspray and mist. The adjusting lever 22 allows easy adjustment of nozzles to desired position.

1. Optimum position for minimum overspray (Fig. G).
2. Water nozzles 13 can be fully retracted to allow for maximum capacity (Fig. H).
3. "Off Cutting Wheel" position to eliminate water overspray between cuts and for blade change (Fig. I).

Cutting Wheel Alignment

To Check Alignment (Fig. J)

1. Place a 90° framing square on the cutting cart fence 24.
2. Push the cutting cart along the cutting wheel to determine if the gap along the framing square is consistent along the length of the stroke.
3. If the gap is not consistent, see the Adjustments section of this manual.



Cutting Wheel Depth (Fig. K)

The outer rim of the cutting wheel should always be at least 3/16" (5mm) below the cart surface. Push cart entirely through the cutting wheel before cutting to be sure that the cutting wheel depth is properly adjusted to avoid cutting the cart.

If the cutting wheel height is not set, see the Adjustments section of this manual. Failure to adjust properly could cause damage or injury.

Making a Cut (Fig. L)

⚠ CAUTION: Turn off and unplug the tool before making any adjustments or removing or installing attachments or accessories. Be sure the switch is in the OFF position.

Before turning the saw on, verify the proper alignment of the cutting cart and cutting wheel. Always center the cutting wheel in one of the cutting cart grooves 25 before cutting (0°, 22.5° or 45°). If the cutting wheel is not centered in the cart groove, please see the Adjustments section of this manual.

1. Fill a 5 gallon bucket with water. Submerge the water pump into the bucket.
2. Place the tile to be cut onto the cutting cart and secure the edge guide 10 with the edge guide lock 23. Always keep hands away from the cutting wheel.
3. Pull up the on/off switch 1 to turn the saw on. Wait until the stream of water from the water pump completely covers the cutting wheel.
NOTE: Cutting tile without water will damage the cutting wheel.
4. Ease the cutting cart toward the cutting wheel then slowly feed the tile into the cutting wheel. Continue pushing until the cutting wheel cuts completely through the tile.
5. Turn the saw off by pushing the on/off switch 1 down.
6. After the cutting wheel stops, remove the tile from the cutting cart.

Locking the Cutting Cart (Fig. M)

There are three locking positions for the cart. Move the cart to the desired position and lock the cart by rotating the pin 26 and pushing it into a hole in the rail.

Types of Cuts (Fig. L–O)

⚠ CAUTION: Turn off and unplug the tool before making any adjustments or removing or installing attachments or accessories. Be sure the trigger switch is in the OFF position.

Always do a dry or practice run to acquaint yourself with the path of the cutting wheel. Practice on a scrap tile to ensure that you are comfortable with the feel of the cutting operation. Push the cart past the cutting wheel before turning the saw on. Make sure the cutting wheel is adjusted to the center of the groove and to the proper height.

Cut Indicator

After setting the cutting wheel depth and doing a practice run, turn the saw on to cut a groove in the cut indicator 27. See Adjustments for further information.

Straight Cuts

1. Using a marker or grease pencil, mark the area to be cut on tile.
2. Place the tile on the cutting cart against the cutting cart fence 24 and align your mark with the cutting wheel.

3. Pull the on/off switch up to turn the saw on and wait for the cutting wheel to be completely covered with water.
4. Ease the cutting cart toward the cutting wheel then slowly feed the tile into the cutting wheel. Continue pushing until the cutting wheel cuts completely through the tile.
5. Turn off the saw.

Diagonal Cuts

Diagonal cuts are also referred to as "long point to long point cuts."

1. Align the point of the tile closest to the cutting cart fence **24** with the cut indicator **27**. The cut indicator signifies the exact location where the cutting wheel will exit the cutting cart in the fence. Note that the cut indicator will need to be cut when first using the saw (see **Adjustments**).
2. Align the front of the tile to the cutting wheel and hold against the edge guide.
3. Turn the saw on and make the cut.
4. Turn off the saw.

L-Cuts

An L-cut is a section that is removed from a piece of tile and is used when cutting a piece of tile to fit in a corner of a cabinet or piece of trim molding.

1. Outline the area to be cut on both sides of the tile.
2. Align the tile to the cutting cart fence and make the cut far enough into the tile without overcutting.
3. Make a cut on the other mark on the tile without overcutting.
4. Turn the tile over and make the cut along one of the outlines, but this time an overcut can occur without damaging the exposed surface of the tile due to the radius of the cutting wheel. Overcut the other line and the cut piece should be separate from the rest of the tile.
5. Turn off the saw.

Plunge Cuts

Plunge cuts are utilized when removing the center of a piece of tile for electrical outlets and for making cuts for air conditioner registers.

1. Outline the area to be cut on both sides of the tile.
2. Release the cutting head by loosening the head lock knob **4**.
3. Adjust the depth of cut knob **28** in the rear of the cutting wheel guard to prevent the cutting wheel from traveling too deep and cutting into the cutting cart. Always do a dry or practice run to acquaint yourself with the path of the cutting wheel. Practice on a scrap tile to ensure that you are comfortable with the feel of the cutting operation.
4. Place the tile on the cutting cart with the finished side facing up.
5. Align the mark with the cutting wheel.
6. Turn the saw on. With one hand on the plunge handle **3** and one hand on the tile, keeping both hands at a safe distance from the cutting wheel, lower the head of the saw slowly into the tile. Cut into the tile up to the edge of the mark without overcutting.
7. Repeat the process on each outline without overcutting.
8. Turn the tile over. Repeat steps 2 and 3, overcutting along the lines which will allow the piece to fall out.

NOTE: The corners may need to be trimmed with tile nippers (not included with the saw).

9. Turn off the saw.

Miter Cuts: 22.5° and 45°

Miter cuts are used for cutting outside and inside corners on tile, decorative chair rail and base molding.

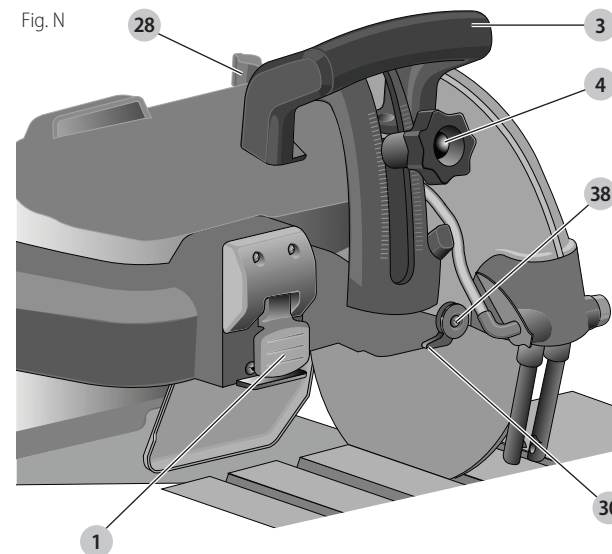
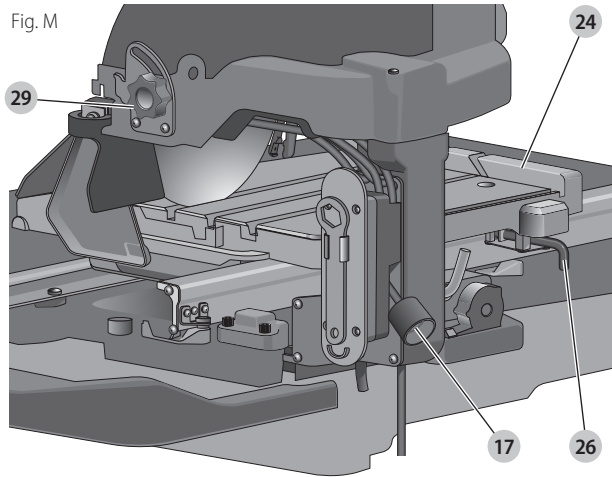
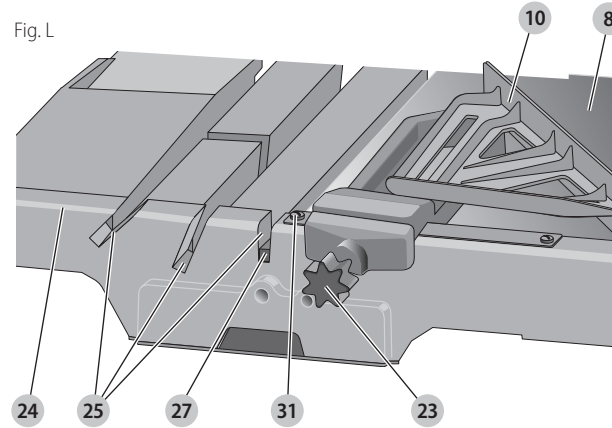
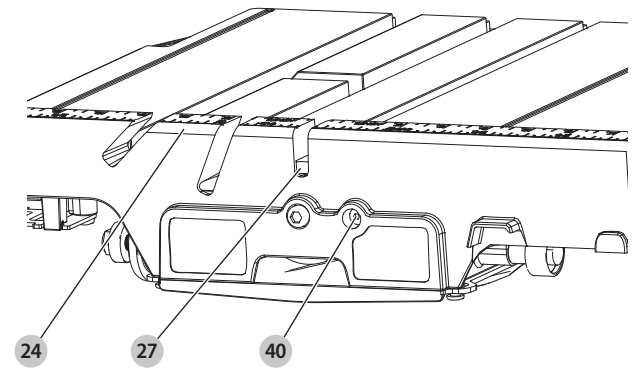


Fig. O



The cutting head of the saw is adjustable to three positions: 0°, 22.5° or 45°. The three grooves **25** in the cutting cart allow for the cutting head to be set at the three settings without cutting into the cutting cart assembly **8**.

1. Loosen the bevel lock knob **29** in the rear of the saw and adjust the head of the saw to the correct miter degree. The bevel pointer **30** on the front of the saw will show the angle of adjustment.
2. Always do a dry run and push the cart past the cutting wheel before turning on the saw. Ensure the cutting wheel is adjusted to the center of the groove.
3. Mark the tile and line the tile against the fence of the cutting cart and the edge guide. Proceed to make the cut.
4. Turn off the saw.

Moving the Saw

CAUTION: Do not attempt to move the saw while filled with water or personal injury may result.

Before moving the saw, be sure to drain the water pan by placing a 5 gallon bucket under the drain plug of the saw. Remove the drain plug and allow the water to empty into the bucket.

ADJUSTMENTS (FIG. N-Q)

CAUTION: Turn off and unplug the tool before making any adjustments or removing or installing attachments or accessories. Be sure the switch is in the OFF position.

Cutting Wheel Square to Cart

1. Place a 90° square on the cutting cart.
2. If the gap is not consistent, loosen the bevel lock knob **29** and adjust the 0° bevel adjustment screw **33** with supplied wrench until the cutting wheel is 90° to the cart surface.
3. Ensure that the cutting wheel does not touch either side of the groove in the cutting cart by pushing the cart past the cutting wheel with saw turned off.

Cutting Wheel 45° to the Cart

1. Loosen bevel locking knob and rotate the cutting head to 45°.
2. Put a 45° guide on the cutting cart surface next to the cutting wheel. If it is not at 45°, adjust the 45° bevel adjustment screw **33** with the supplied wrench until the cutting wheel is 45° to the cart surface.

3. With saw turned off, ensure that the cutting wheel does not touch either side of the groove in the cutting cart by pushing the cart past the cutting wheel.

Cutting Parallel to Cutting Cart

1. Lay a 90° square flat on the cutting cart surface with one end against the cart fence **24**.
2. If the cutting wheel is not 90° to the cart fence, the rail will need adjustment.
3. Loosen the four rail assembly mounting screws **34**.
4. Move the rail slightly until the cutting wheel is square to the cart fence.
5. Tighten the four rail screws.

Cart Rolling Resistance (Rail Adjustment)

1. Loosen the four rail height screws **37**.
2. Adjust the two rail height adjusters **36** until cart moves smoothly.
3. Tighten the four screws.

Bevel Pointer (Fig. N)

Loosen the 0° bevel pointer screw **38** and rotate the bevel pointer **30** to the correct location.

Depth of Cut

1. Loosen head lock knob **4**.
2. Adjust depth of cut knob **28** until the cutting wheel is at least 3/16" (5 mm) below the cart surface.
3. With the unit turned off, push the cart past the cutting wheel and ensure that the cutting wheel does not touch the cart.
4. Adjust the depth of cut knob and tighten the locking wing nut **39**, then the head lock knob **4**.

Cut Indicator

The cut indicator **27** assists in aligning long and diagonal cuts by showing where the blade will exit the cut. The cut indicator can be used multiple times before adjustment is necessary.

1. Loosen locking screw **40**.
2. Rotate cut indicator to expose uncut surface.
3. Tighten locking screw.

MAINTENANCE

Brushes (Fig. R)

CAUTION: Turn off and unplug the tool before making any adjustments or removing or installing attachments or accessories. Be sure the switch is in the OFF position.

Inspect carbon brushes regularly by unplugging tool, removing the brush cap **41** and withdrawing the brush assembly. Keep brushes clean and sliding freely in their guides. Always insert a replacement brush in the same orientation in the holder as the used brush was prior to its removal. Carbon brushes have varying symbols stamped into their sides, and if the brush is worn down to the line closest to the spring, brushes must be replaced. Use only identical DeWALT brushes. Use of the correct grade of brush is essential for proper operation. New brush assemblies are available at DeWALT service centers. The tool should be allowed to "run in" (run at no load) for 10 minutes before use to seat new brushes.

Fig. P

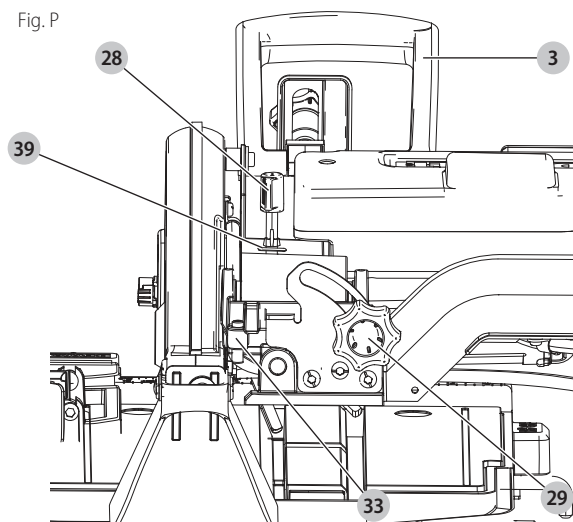


Fig. Q

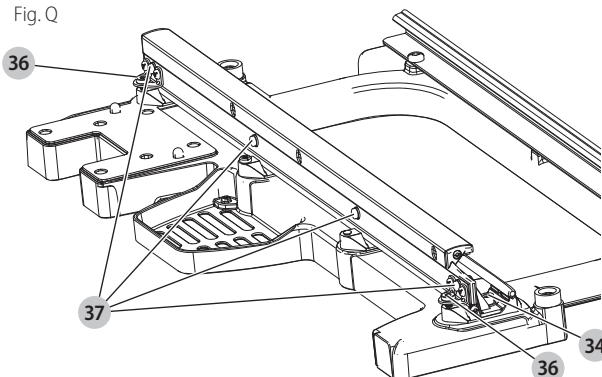
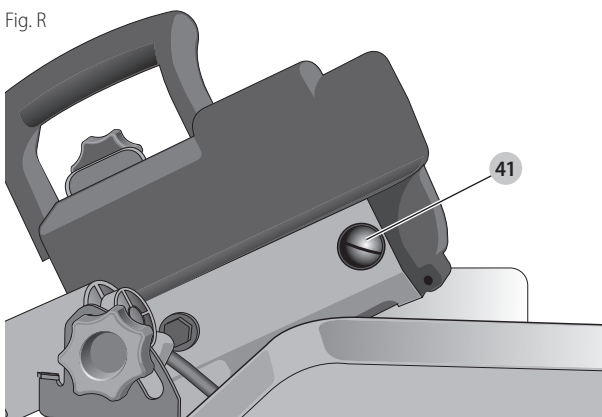


Fig. R



Transportation and Storage (Fig. S)

The rear water attachment **7**, cutting cart water attachment **9** and water pan **11** may be nested together to make carrying easier (Fig. S).

Cleaning

1. Insert the water pump into a bucket of clean water and pump the water through the hose system.
2. Turn off and unplug the saw from the power supply.
3. Place a 5 gallon bucket under the drain plug. Remove the drain plug and allow the water to empty into the bucket.
4. Slide the cutting cart off the rail system. Spray the cutting cart with a hose or wipe with a grout sponge or rag.
5. Wipe the rails, motor housing, and support arm with a grout sponge or a rag. Spray lubricants are not required on the guide rail or wheels.
6. Clean the water pan by spraying with a hose or wiping with a grout sponge.

Use only mild soap and a damp cloth to clean the tool. Many household cleaners contain chemicals which could seriously damage plastic. Also, do not use gasoline, turpentine, lacquer or paint thinner, dry cleaning fluids or similar products. Try not to let any liquid get inside the tool; never immerse any part of the tool into a liquid.

Lubrication

WARNING: NEVER spray or in any other way apply lubricants or cleaning solvents inside the tool. This can seriously affect the life and performance of the tool and may result in personal injury.

DeWALT tools are properly lubricated at the factory and are ready for use. However, it is recommended that, once a year, you take or send the tool to a certified service center for a thorough cleaning and inspection.

Accessories

WARNING: Since accessories, other than those offered by DeWALT, have not been tested with this product, use of such accessories with this tool could be hazardous. To reduce the risk of injury, only DeWALT recommended accessories should be used with this product.

Recommended accessories for use with your tool are available at extra cost from your local dealer or authorized service center. If you need assistance in locating any accessory, please contact DeWALT Industrial Tool Co., 701 East Joppa Road, Towson, MD 21286, call 1-800-4-DeWALT (1-800-433-9258) or visit our website: www.dewalt.com.

Stand D24001 (Fig. T)

Cutting wheels

7"	Ceramic	DW4760
10"	Ceramic	DW4761
10"	Porcelain	DW4764

Repairs

WARNING: To assure product SAFETY and RELIABILITY, repairs, maintenance and adjustment (including brush inspection and replacement, when applicable) should be performed by a DeWALT factory service center or a DeWALT authorized service center. Always use identical replacement parts.

Register Online

Thank you for your purchase. Register your product now for:

- **WARRANTY SERVICE:** Registering your product will help you obtain more efficient warranty service in case there is a problem with your product.
- **CONFIRMATION OF OWNERSHIP:** In case of an insurance loss, such as fire, flood or theft, your registration of ownership will serve as your proof of purchase.
- **FOR YOUR SAFETY:** Registering your product will allow us to contact you in the unlikely event a safety notification is required under the Federal Consumer Safety Act.

Register online at www.dewalt.com/register.

Three Year Limited Warranty

DeWALT will repair, without charge, any defects due to faulty materials or workmanship for three years from the date of purchase. This warranty does not cover part failure due to normal wear or tool abuse. For further detail of warranty coverage and warranty repair information, visit www.dewalt.com or call 1-800-4-DeWALT (1-800-433-9258). This warranty does not apply to accessories or damage caused where repairs have been made or attempted by others. THIS LIMITED WARRANTY IS GIVEN IN LIEU OF ALL OTHERS, INCLUDING THE IMPLIED WARRANTY OF MERCHANTABILITY AND FITNESS FOR A PARTICULAR PURPOSE, AND EXCLUDES ALL INCIDENTAL OR CONSEQUENTIAL DAMAGES. Some states do not allow limitations on how long an implied warranty lasts or the exclusion or limitation of incidental or consequential damages, so these limitations may not apply to you. This warranty gives you specific legal rights and you may have other rights which vary in certain states or provinces.

In addition to the warranty, DeWALT tools are covered by our:

1 YEAR FREE SERVICE

DeWALT will maintain the tool and replace worn parts caused by normal use, for free, any time during the first year after purchase.

90 DAY MONEY BACK GUARANTEE

If you are not completely satisfied with the performance of your DeWALT Power Tool, Laser, or Nailer for any reason, you can return it within 90 days from the date of purchase with a receipt for a full refund – no questions asked.

LATIN AMERICA: This warranty does not apply to products sold in Latin America. For products sold in Latin America, see country specific warranty information contained in the packaging, call the local company or see website for warranty information.

FREE WARNING LABEL REPLACEMENT: If your warning labels become illegible or are missing, call 1-800-4-DeWALT (1-800-433-9258) for a free replacement.

Fig. S

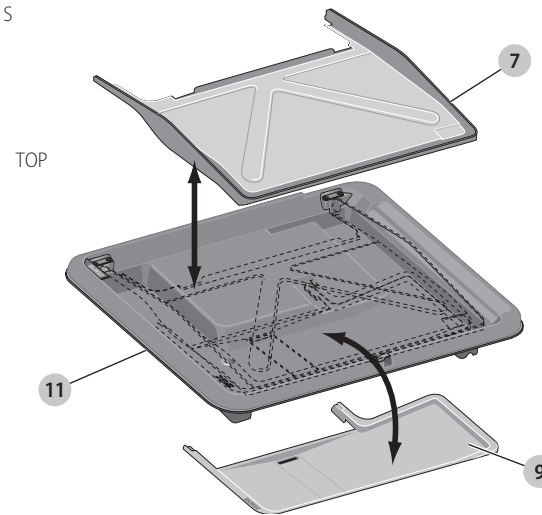
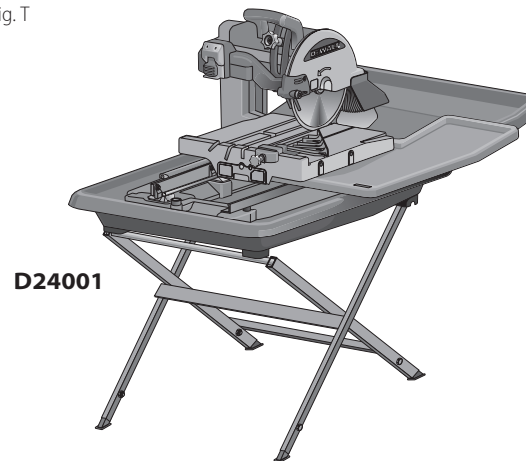


Fig. T



D24001

Troubleshooting Guide

BE SURE TO FOLLOW SAFETY RULES AND INSTRUCTIONS

MANY COMMON PROBLEMS CAN BE SOLVED EASILY BY UTILIZING THE CHART BELOW. FOR MORE SERIOUS OR PERSISTENT PROBLEMS, CONTACT A DeWALT SERVICE CENTER OR CALL 1-(800)-4-DeWALT.

Trouble! Saw Will Not Start

What's Wrong?

1. Saw not plugged in
2. GFCI tripped
3. Saw will not run (plugged in; switch on)
4. Fuse blown or circuit breaker tripped
5. Cord damaged
6. Brushes worn out

What To Do...

1. Plug in saw.
2. Push switch to off and push reset button on GFCI.
3. Push switch to off and push the reset button on the GFCI.
4. Push switch to off and replace fuse or reset circuit breaker.
5. Have cord replaced by authorized service center.
6. Have brushes replaced by authorized service center.

Trouble! Saw Makes Unsatisfactory Cuts

What's Wrong?

1. Dull cutting wheel
2. Water pump will not pump water
3. Cutting wheel mounted backwards
4. Build up on cutting wheel
5. Incorrect cutting wheel for work being done

What To Do...

1. Replace cutting wheel. See page 6.
2. Remove water pump and spray with clean water to dislodge the impeller
3. Turn cutting wheel around. See page 6.
4. Use dressing stone to remove build up.
5. Change the cutting wheel. See page 6.

Trouble! Cutting Wheel Does Not Come Up To Speed

What's Wrong?

1. Extension cord too small of a wire gauge or too long
2. Arbor loose
3. Low house voltage

What To Do...

1. Replace with adequate size cord. See page 2.
2. Tighten arbor
3. Contact your electric company.

Trouble! Machine Vibrates Excessively

What's Wrong?

1. Saw not mounted securely to stand
2. Stand or bench on uneven floor
3. Damaged saw cutting wheel

What To Do...

1. Reposition water pan on stand.
2. Reposition on flat level surface.
3. Replace cutting wheel. See page 6.

Trouble! Does Not Make Accurate Cuts

What's Wrong?

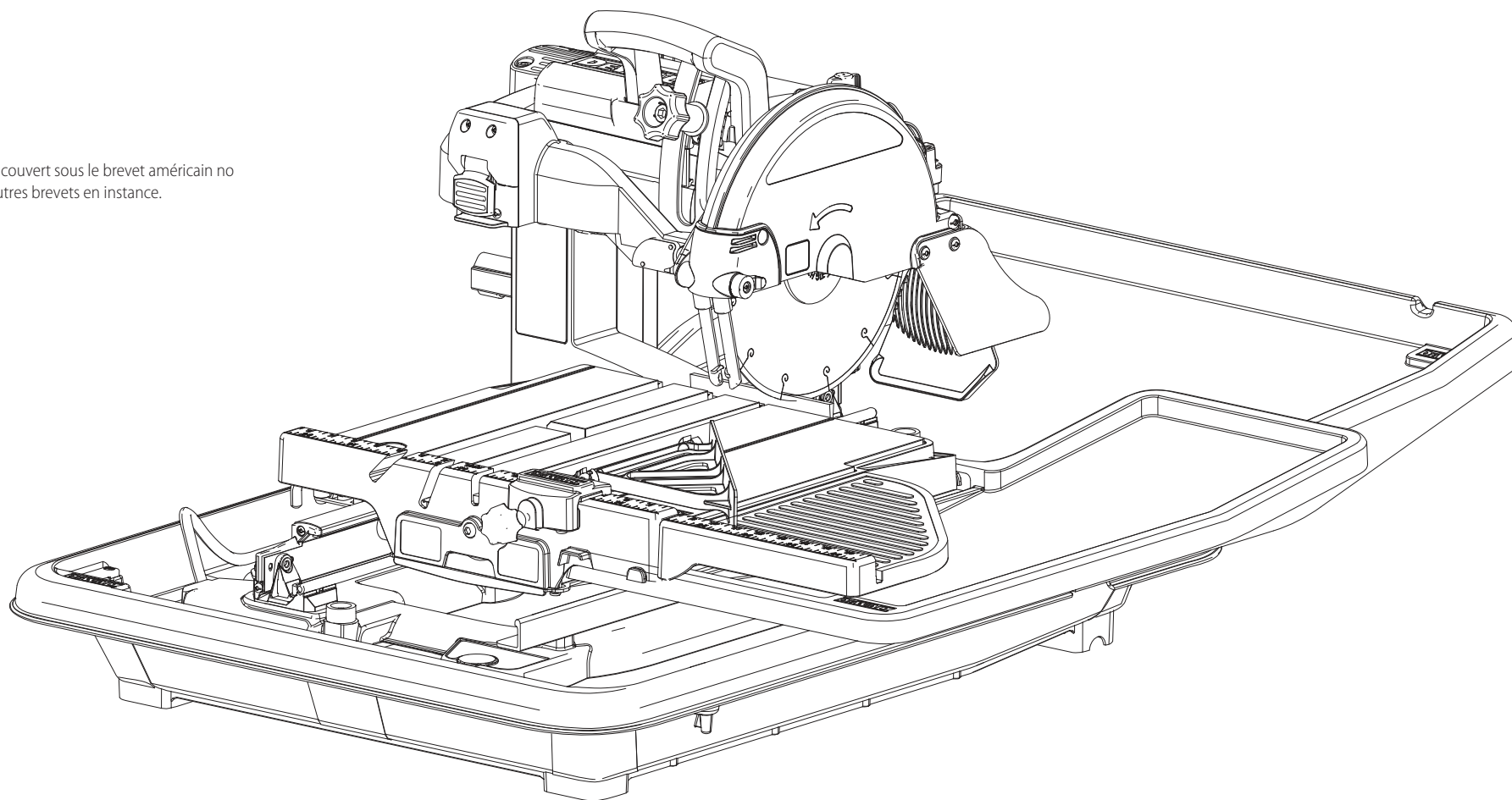
1. Edge guide not secure to fence
2. Cutting wheel is not square to fence
3. Cutting wheel is not perpendicular to cart surface
4. Workpiece moving

What To Do...

1. Check and adjust. See page 6.
2. Check and adjust. See page 9.
3. Check and adjust fence. See page 8.
4. Use edge guide.

SI VOUS AVEZ DES QUESTIONS OU VOUS VOULEZ NOUS FAIRE PART DE VOS COMMENTAIRES CONCERNANT CET OUTIL OU TOUT AUTRE OUTIL DeWALT, COMPOSEZ SANS FRAIS LE : 1 800 433-9258 (1-800-4-DeWALT)

Ce produit est couvert sous le brevet américain no D486,165 et autres brevets en instance.



FRANÇAIS

TABLE DES MATIÈRES

CONSIGNES DE SÉCURITÉ IMPORTANTES CONCERNANT TOUS LES OUTILS	14
DIRECTIVES CONCERNANT LA MISE À LA TERRE.....	14
CONSIGNES DE SÉCURITÉ ADDITIONNELLES CONCERNANT LE COUPE-TUILE À L'EAU	15
GUIDE DE DÉMARRAGE	16
COMPOSANTS.....	18
ASSEMBLAGE	18
CARACTÉRISTIQUES TECHNIQUES	19
FONCTIONNEMENT	19
MISE EN PLACE DE L'OUTIL.....	19
MOTEUR	19
INTERRUPTEUR MARCHE-ARRÊT.....	19
BUSES D'EAU	19
ALIGNEMENT DE LA LAME.....	19
PROFONDEUR DE LA LAME.....	19
RÉALISATION D'UNE COUPE	19
VERROUILLAGE DE L'ÉTABLI DE COUPE	20
TYPES DE COUPES.....	20
RÉGLAGES.....	21
RÉGLAGE DE LA LAME À 90 ° DE L'ÉTABLI.....	21
RÉGLAGE DE LA LAME À 45 ° DE L'ÉTABLI.....	21
COUPE PARALLÈLE À L'ÉTABLI DE COUPE	21
RÉSISTANCE AU ROULEMENT DE L'ÉTABLI (RÉGLAGE DU MONTANT)	21
INDICATEUR DU BISEAU	21
PROFONDEUR DE COUPE.....	21
INDICATEUR DE COUPE.....	21
ENTRETIEN.....	21
BALAIS.....	21
TRANSPORT ET RANGEMENT	21
NETTOYAGE	21
LUBRIFICATION.....	22
ACCESSOIRES	22
RÉPARATIONS.....	22
GARANTIE	22
GUIDE DE DÉPANNAGE.....	23

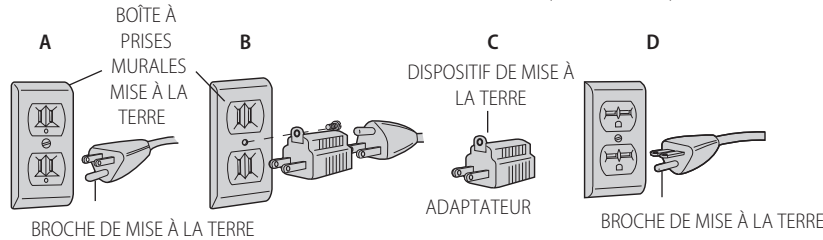
Consignes de sécurité importantes concernant tous les outils

AVERTISSEMENT : Afin de travailler en toute sécurité et d'éviter les risques de blessure ou d'endommager sérieusement la scie, lire attentivement le manuel d'utilisation avant d'utiliser l'outil. Lors de l'entretien de l'outil, n'utiliser que des pièces de rechange identiques. Faire remplacer les cordons endommagés par un centre de service autorisé.

Directives concernant la mise à la terre

- En cas de défaillance technique ou de panne, la mise à la terre offre un chemin de moindre résistance au courant électrique pour réduire tout risque de choc électrique. Cet outil est pourvu d'un cordon électrique muni d'un conducteur de protection et d'une fiche de mise à la terre. Cette fiche doit être branchée dans prise adéquate installée correctement et mise à la terre conformément aux codes et réglementations locales.
- Ne pas modifier la fiche fournie avec l'appareil. Si elle ne rentre pas dans la prise, faire installer une prise adéquate par un électricien qualifié.
- Tout branchement non conforme du conducteur de protection augmente les risques de choc électrique. Le conducteur dont la surface externe d'isolation est verte avec ou sans rayures jaunes est le conducteur de protection. En cas de réparation ou de remplacement du cordon électrique ou de la fiche, Ne jamais connecter le conducteur de protection à une borne sous tension.
- Si les Directives de mise à la terre ne sont pas complètement comprises ou si on n'est pas sûr que l'appareil est correctement mis à la terre, faire appel à un électricien qualifié ou à du personnel d'entretien.
- N'utiliser que des rallonges trifilaires munies de fiches tripolaires et des prises tripolaires acceptant la fiche de l'outil.
- Réparer ou remplacer immédiatement tout cordon endommagé ou usé.

Cet outil doit être mis à la terre afin de protéger l'utilisateur contre les risques de choc électrique. Cet outil est doté d'un cordon trifilaire et d'une fiche de terre à trois broches; on doit en raccorder la fiche dans une prise murale appropriée. Le conducteur vert (ou vert et jaune) du cordon est le fil de mise à la terre. Ne jamais raccorder le fil vert (ou vert et jaune) à une borne sous tension. Les outils destinés à être raccordés à un circuit d'alimentation électrique ayant une tension nominale de moins de 150 volts sont en effet munis d'une fiche qui est semblable à celle illustrée à la figure A, alors que ceux destinés à être raccordés à un circuit dont la tension nominale varie entre 150 et 250 volts sont munis d'une fiche qui ressemble à celle illustrée à la figure D. On peut utiliser un adaptateur, comme celui illustré aux figures B et C, pour brancher la fiche de l'outil (Figure A) à une prise à deux broches. On doit mettre cet adaptateur à la terre en en reliant l'oeillet, la cosse ou tout autre dispositif de couleur verte à un élément mis à la terre de manière permanente, comme une boîte à prises bien mise à la terre. Aucun adaptateur n'est disponible pour une fiche semblable à celle illustrée à la figure D. IL EST CEPENDANT INTERDIT DE SE SERVIR D'UN TEL ADAPTATEUR (FIGURES B ET C) AU CANADA.



AVERTISSEMENT : Afin de réduire les risques d'électrocution, s'assurer que tous les raccords sont secs et dégagés du sol.

AVERTISSEMENT : Le cordon d'alimentation de la scie est muni d'un disjoncteur de fuite de terre (GFCI) afin d'offrir une protection additionnelle. Lorsqu'on utilise une rallonge, on doit enficher le disjoncteur dans la source d'alimentation électrique avant de la rallonge.

AVERTISSEMENT : La pompe à eau doit être enfichée dans une prise protégée par un disjoncteur de fuite de terre.

REMARQUE : Ne pas faire fonctionner la pompe à sec.

AVERTISSEMENT : Effectuer un essai du disjoncteur de fuite de terre avant chaque utilisation en :

- enfonçant le disjoncteur dans la prise de courant pour allumer le voyant rouge;
- enfonçant le poussoir d'essai pour éteindre le voyant rouge;
- enfonçant le bouton de réenclenchement avant d'utiliser l'outil; ne pas l'utiliser si l'essai a échoué.

ATTENTION : LORS DE L'ENTRETIEN, N'UTILISER QUE DES PIÈCES DE RECHANGE IDENTIQUES. Faire réparer ou remplacer les cordons endommagés. Toujours remplacer le cordon par un cordon muni d'un disjoncteur de fuite de terre.

AVERTISSEMENT : Ne jamais utiliser la scie avec de l'eau salée ou un fluide conducteur.

AVERTISSEMENT : Lorsqu'on utilise un outil électrique, on doit suivre les consignes de sécurité élémentaires, y compris les directives indiquées aux présentes, afin d'éviter les risques d'incendie, de choc électrique et de blessure.

- GARDER LES DISPOSITIFS DE PROTECTION EN PLACE et en bon état de fonctionnement.
- RETIRER LES CLÉS DE RÉGLAGE ; prendre l'habitude de s'assurer que les clés de réglage sont retirées de l'outil avant de le démarrer.
- GARDER L'AIRE DE TRAVAIL PROPRE ; les espaces de travail et les établis encombrés sont propices aux blessures.
- UTILISER L'OUTIL DANS DES ENDROITS APPROPRIÉS ; ne pas exposer l'outil à la pluie ou à la neige, ni l'utiliser dans des endroits humides ou mouillés. Garder l'aire de travail bien éclairée.
- TENIR LES ENFANTS À L'ÉCART ; s'assurer que personne ne s'approche de l'aire de travail.
- S'ASSURER QUE L'ATELIER EST SÛR POUR LES ENFANTS ; utiliser des cadenas, des interrupteurs centraux ou enlever les commandes de démarrage.
- NE PAS FORCER L'OUTIL ; pour obtenir de meilleurs résultats et prévenir les risques de blessure, laisser l'outil couper à la vitesse pour laquelle il a été conçu.
- UTILISER L'OUTIL APPROPRIÉ ; ne pas forcer l'outil ou l'accessoire, ni l'utiliser pour des travaux autres que ceux pour lesquels il a été conçu.
- UTILISER LES RALLONGES APPROPRIÉES ; s'assurer que la rallonge électrique est en bon état et qu'elle est en mesure de porter le courant nécessaire à l'outil. Une rallonge de calibre inférieur entraînera une chute de tension se traduisant par une perte de puissance et une surchauffe. Le tableau ci-dessous illustre les calibres que l'on doit utiliser selon la longueur de la rallonge et l'intensité nominale indiquée sur la plaque signalétique. En cas de doute, utiliser le calibre suivant. Plus le calibre est petit, plus la rallonge peut porter de courant.

Calibre minimum pour les cordons d'alimentation

Volts		Longueur totale du cordon d'alimentation en mètre (pieds)			
120 V		7,6 (25)	15,2 (50)	30,5 (100)	45,7 (150)
240 V		15,2 (50)	30,5 (100)	61,0 (200)	91,4 (300)
Ampères		AWG			
Plus que	Pas plus que				
0	6	18	16	16	14
6	10	18	16	14	12
10	12	16	16	14	12
12	16	14	12	Non recommandé	

- PORTER DES VÊTEMENTS APPROPRIÉS ; ne pas porter de vêtements amples ni de gants, de cravate, de bague, de bracelet ou d'autres bijoux, car ceux-ci peuvent rester coincés dans les pièces mobiles. On recommande le port de chaussures antidérapantes. Couvrir ou attacher les cheveux longs. Se tenir éloigné des événements puisque ces derniers pourraient camoufler des pièces mobiles.
- TOUJOURS PORTER DES LUNETTES DE SÉCURITÉ ; porter aussi un masque facial ou un masque anti-poussières lorsqu'on soulève de la poussière. Les lunettes ordinaires protègent uniquement les yeux contre les chocs et ne sont PAS des lunettes de protection.
- IMMOBILISER LA PIÈCE ; toujours placer la tuile à plat sur l'établi et la fixer solidement contre le guide.
- Ne jamais utiliser un chauffe-cuvette ou tout autre dispositif de chauffage pour chauffer l'eau afin d'éviter d'endommager l'outil ou d'entraîner des risques d'incendie ou de blessure.
- NE PAS TROP ÉTENDRE LES BRAS ; les pieds doivent rester ancrés fermement au sol afin de maintenir son équilibre en tout temps.
- BIEN ENTREtenir L'OUTIL ; afin d'obtenir de meilleurs résultats et faire preuve de prudence, garder l'outil propre et bien aiguisé. Suivre les consignes lorsqu'on lubrifie ou qu'on remplace les accessoires.
- DÉBRANCHER L'OUTIL avant de procéder à l'entretien ou de remplacer des accessoires comme les lames, les brides de serrage, les rallonges, etc.
- RÉDUIRE LES RISQUES DE DÉMARRAGE ACCIDENTEL ; s'assurer que l'interrupteur est en position d'arrêt avant de brancher l'outil.
- UTILISER LES ACCESSOIRES RECOMMANDÉS ; consulter le manuel d'utilisation pour savoir quels accessoires sont appropriés. L'utilisation d'accessoires autres que ceux recommandés pourrait entraîner des blessures.
- NE JAMAIS SE METTRE DEBOUT SUR L'OUTIL ; si l'outil se renverse ou si l'organe de coupe est touché accidentellement, cela pourrait entraîner des blessures graves.
- VÉRIFIER LES PIÈCES ENDOMMAGÉES ; avant de poursuivre les travaux, on doit examiner attentivement les dispositifs de protection, ou toute autre pièce endommagée, afin de s'assurer qu'il fonctionne toujours adéquatement et qu'il est

en mesure d'effectuer les travaux pour lesquels il a été conçu. Vérifier les pièces mobiles afin de s'assurer qu'elles sont bien alignées et qu'elles ne restent pas coincées; vérifier également les pièces et les assemblages afin de s'assurer qu'il n'y a aucun bris ni aucune autre condition susceptible de nuire au bon fonctionnement de l'outil. On doit faire réparer ou remplacer toute pièce endommagée, y compris les dispositifs de protection.

- TOUJOURS RESPECTER LE SENS D'AVANCE en faisant avancer la pièce dans la lame dans le sens de rotation seulement.
- NE JAMAIS LAISSER L'OUTIL FONCTIONNER SANS SURVEILLANCE; COUPER L'ALIMENTATION et attendre que l'outil s'arrête complètement avant de quitter les lieux.
- PIÈCES DE RECHANGE : Lors de l'entretien, n'utiliser que des pièces de rechange identiques.

Consignes de sécurité additionnelles concernant le coupe-tuile à l'eau

AVERTISSEMENT : Afin de réduire les risques d'électrocution, s'assurer que tous les raccords sont secs et dégagés du sol. Ne pas toucher à la fiche avec les mains mouillées.

ATTENTION : Porter un dispositif de protection personnel anti-bruit approprié durant l'utilisation. Sous certaines conditions et pendant toute la durée de l'utilisation, le bruit émanant de ce produit pourrait contribuer à la perte d'audition.

ATTENTION : Lire et comprendre toutes les directives du présent manuel avant de raccorder l'outil à une source d'alimentation électrique.

- Utiliser le matériel de sécurité approprié; toujours porter des lunettes de protection. Porter un masque anti-poussières, des chaussures antidérapantes, un casque de sécurité ou des protecteurs auditifs lorsque la situation le requiert.
- Toujours garder les mains éloignées du trajet de la lame. Ne jamais couper une pièce lorsqu'on doit mettre les mains à moins de 76 mm (3 po) de la lame.
- On ne doit pas faire fonctionner la scie sans avoir d'abord installé le protège-lame.
- On ne doit pas effectuer des travaux à main levée, c'est-à-dire, sans tenir fermement la pièce contre le guide.
- On ne doit pas mettre les mains derrière la lame.
- ON DOIT utiliser la rallonge de l'établi de coupe pour soutenir les grandes tuiles.
- ON NE DOIT PAS couper à sec. Si la lame n'est pas refroidie à l'eau, on risque de causer des dommages sérieux puisque la coupe à sec augmente l'exposition aux particules de poussière aéroportées nocives.
- On doit arrêter l'outil et attendre que la lame s'immobilise complètement avant de déplacer la pièce ou de modifier le réglage de l'outil.
- Afin de réduire les risques de blessure, on doit repousser l'établi complètement vers l'arrière après chaque coupe.
- ON DOIT protéger les fils d'alimentation électrique au moyen d'un disjoncteur ou d'un fusible temporisé de 15 ampères ou plus.
- ON DOIT s'assurer que la lame tourne dans le bon sens, tel qu'il est indiqué par la flèche illustrée sur la lame.
- ON DOIT s'assurer que les poignées et boutons de serrage sont bien serrés avant de procéder aux travaux.
- ON DOIT s'assurer que les rondelles de la lame et des brides de serrage sont propres et que les parties en retrait des colliers sont bien appuyées contre la lame. Bien serrer la vis de l'arbre.
- ON DOIT maintenir la lame bien alignée.
- ON DOIT s'assurer que les entrées d'air du moteur sont exemptes de copeaux et de poussière.
- ON DOIT garder les mains éloignées du trajet de la lame.
- ON DOIT couper le courant, débrancher le cordon de la source d'alimentation électrique et attendre que la lame s'immobilise complètement avant d'effectuer l'entretien ou le réglage de l'outil ou de remplacer la lame.
- ON NE DOIT PAS faire fonctionner l'outil sous une tension autre que celle indiquée afin d'éviter les risques de choc électrique ou d'incendie ou d'éviter le fonctionnement imprévisible de l'outil.
- ON NE DOIT PAS faire fonctionner l'outil si les poignées et les boutons de serrage ne sont pas bien serrés.
- ON NE DOIT PAS utiliser des lames dont les dimensions diffèrent de celles recommandées.
- ON NE DOIT PAS forcer l'outil lors de la coupe. (Afin d'éviter de caler le moteur, même partiellement, et de causer ainsi des dommages importants, on doit laisser ce dernier atteindre sa vitesse maximale avant de procéder à la coupe.)
- ON NE DOIT PAS utiliser de meule, car la chaleur excessive et les particules abrasives générées par celle-ci peuvent endommager la scie.
- ON DOIT utiliser des lames à bords continus seulement et éviter d'utiliser des lames à bords dentés.
- ON NE DOIT PAS permettre à qui que ce soit de se tenir debout derrière la scie.
- ON NE DOIT PAS mettre les mains près de la lame lorsque la scie est branchée à la source d'alimentation électrique.
- ON NE DOIT PAS utiliser des lames qui effectuent des coupes à moins de 5 000 tr/min.
- ON NE DOIT PAS mettre les mains à moins de 76 mm (3 po) de la lame.

- ON NE DOIT PAS mettre les mains autour ou derrière la scie avant d'avoir d'abord coupé le courant et débranché la scie.
- ON NE DOIT PAS retirer les mains de la scie ou de la pièce ni lever les bras avant que la lame ne se soit complètement immobilisée.
- Si la fiche ou la prise est exposée à l'eau, ON NE DOIT PAS débrancher le cordon. On doit plutôt couper le courant du fusible ou du disjoncteur qui alimente l'outil, puis débrancher et examiner la prise ou la fiche afin de s'assurer qu'il n'y a aucune trace d'eau.

AVERTISSEMENT : les scies, meules, ponceuses, perceuses ou autres outils de construction peuvent produire des poussières contenant des produits chimiques reconnus par l'État californien pour causer cancers, malformations congénitales ou être nocifs au système reproducteur. Parmi ces produits chimiques, on retrouve :

- Le plomb dans les peintures à base de plomb ;
- La silice cristallisée dans les briques et le ciment, ou autres produits de maçonnerie ; et
- L'arsenic et le chrome dans le bois ayant subi un traitement chimique.

Le risque associé à de telles expositions varie selon la fréquence avec laquelle on effectue ces travaux. Pour réduire l'exposition à de tels produits, il faut travailler dans un endroit bien aéré et utiliser le matériel de sécurité approprié, tel un masque anti-poussières spécialement conçu pour filtrer les particules microscopiques.

- Éviter tout contact prolongé avec la poussière soulevée par cet outil ou autres outils électriques. Porter des vêtements de protection et nettoyer les parties exposées du corps à l'eau savonneuse. S'assurer de bien se protéger afin d'éviter d'absorber par la bouche, les yeux ou la peau des produits chimiques nocifs.

AVERTISSEMENT : Cet outil peut produire et répandre de la poussière susceptible de causer des dommages sérieux et permanents au système respiratoire. Toujours utiliser un appareil respiratoire anti-poussières approprié approuvé par le NIOSH ou l'OSHA. Diriger les particules dans le sens opposé du visage et du corps.

Pour des fins pratiques et de sécurité, le coupe-tuile à l'eau comprend les étiquettes d'avertissement suivantes :

Sur la colonne

AVERTISSEMENT : AFIN DE travailler en toute sécurité, lire attentivement le manuel d'utilisation avant d'utiliser l'outil.

- TOUJOURS porter des lunettes de PROTECTION.
- Toujours utiliser un appareil de protection respiratoire approprié.
- Garder les mains éloignées du trajet de la lame.
- N'utiliser que des lames à bords continus exemptes d'ouvertures et de rainures.
- Ne pas faire fonctionner l'outil sans avoir d'abord installé le protège-lame.
- Toujours serrer solidement les boutons de serrage avant d'utiliser l'outil.
- Ne jamais effectuer de travaux à main levée.
- Ne pas mettre les mains derrière la lame.
- Ne jamais croiser les bras devant la lame.
- Arrêter l'outil et attendre que la lame s'immobilise complètement avant de déplacer la pièce ou de modifier le réglage de l'outil.
- Débrancher l'outil avant de remplacer une lame ou d'effectuer les opérations d'entretien ou de nettoyage.
- Afin de réduire les risques de blessure, toujours brancher l'outil dans une prise protégée par un disjoncteur de fuite de terre. toujours effectuer l'essai du disjoncteur avant d'utiliser l'outil.
- Toujours remettre la lame dans la position appropriée avant de mettre l'outil en marche.
- Utiliser le pare-éclaboussures chaque fois qu'on effectue une opération pour laquelle il peut être utilisé.
- Remplacer les lames endommagées avant d'utiliser l'outil.
- Ne pas exposer l'outil à la pluie ni l'utiliser dans des endroits humides.
- Ne jamais utiliser un chauffe-cuvette ou tout autre dispositif de chauffage pour chauffer l'eau afin d'éviter d'endommager l'outil ou d'entraîner des risques d'incendie ou de blessure.
- Réfléchir afin de prévenir les accidents.

Sur le protège-lame

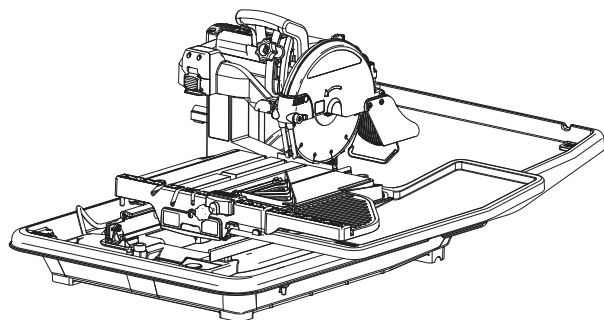
ATTENTION : toujours fixer fermement le protège-lame au moyen des deux vis avant d'utiliser l'outil.

Sur l'établi de coupe

AVERTISSEMENT : Afin de réduire les risques de blessure, toujours vérifier la lame afin de s'assurer qu'elle est réglée à la bonne hauteur et qu'elle est bien centrée dans la rainure de l'établi avant d'utiliser l'outil.

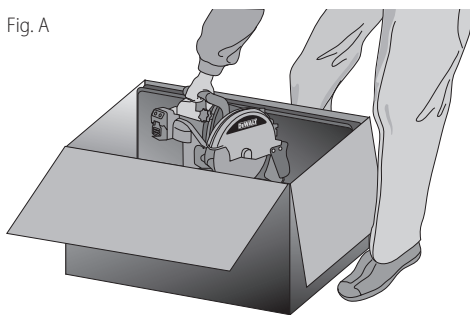
DEWALT®

Guide de démarrage Coupe-tuile à l'eau D24000



AVERTISSEMENT : Pour votre sécurité, avant toute utilisation du coupe-tuile à l'eau, lire son manuel d'instruction. Tout manquement à ces avertissements augmente les risques de blessure et d'endommager sérieusement la scie. Lors de l'entretien de cet outil, n'utiliser que des pièces de rechange identiques. Faire réparer tout cordon endommagé par un centre de service autorisé.

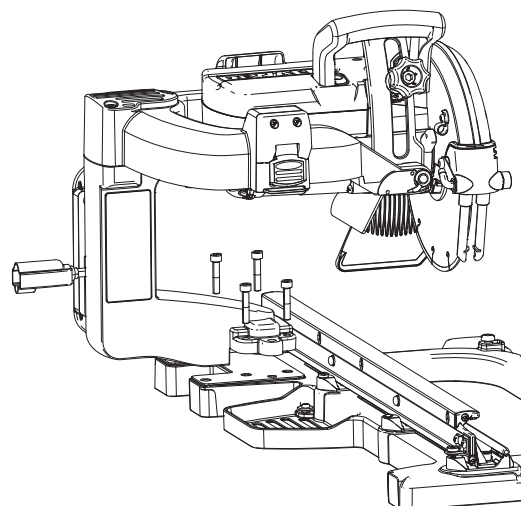
Fig. A



L'ensemble du bras moteur est déjà assemblé au moment de la livraison. Ouvrir la boîte, puis soulever et retirer l'ensemble, tel qu'illustré à la figure A.

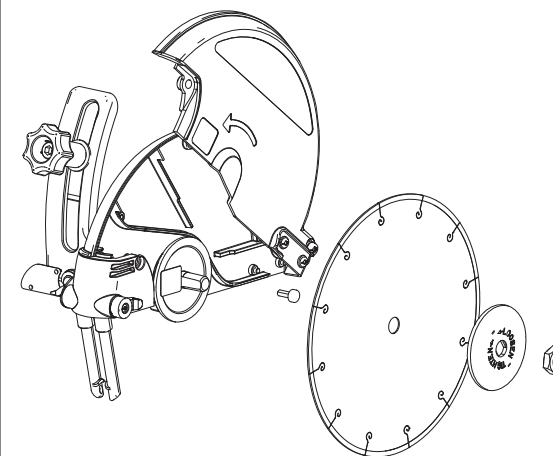
ÉTAPE 1

1. Installer le bras moteur sur le bâti. À l'aide de la clé fournie à cet effet, installer et serrer tout d'abord les deux vis les plus près du montant. Puis installer et serrer les deux autres vis.



ÉTAPE 2

2. Fixer de la lame.
- Au moyen de la plus petite clé à six pans fournie, desserrer (sans la retirer) la vis située sur le côté du protège-lame, puis replier la bande en caoutchouc située sur le côté et soulever le protège-lame vers l'arrière de la scie.
 - Enfoncer le bouton de verrouillage de la broche et retirer l'écrou de la lame au moyen de la clé à six pans fournie. Enlever la bride externe.
 - Installer la lame en orientant la flèche rotative dans le même sens que celle du protège-lame. Enfoncer le bouton de verrouillage de la broche et serrer l'écrou de la lame.
 - Replacer le protège-lame et serrer la vis.



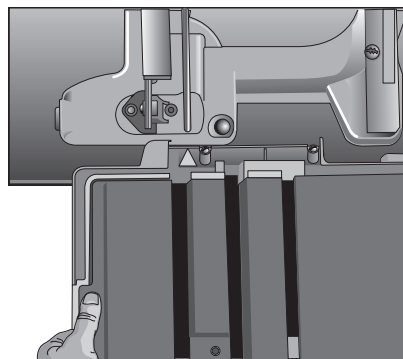
Pour plus de détails, se référer à la section **Fixation de la lame** dans le manuel d'instruction.

ÉTAPE 3

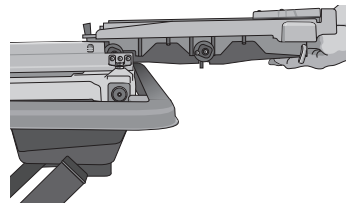
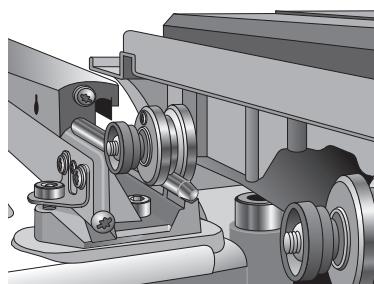
3. Fixer l'établi de coupe aux montants.
Pour plus de détails, se référer à la section Assemblage dans le manuel d'instruction.

REMARQUE : S'assurer que le verrouillage de l'établi est ouvert à fond.

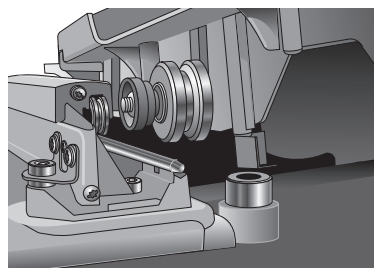
- Aligner la flèche sur l'arrière de l'établi de coupe avec l'arrondi du montant du bâti de la scie.



- Installer l'ensemble galet arrière sur l'arrondi du montant.



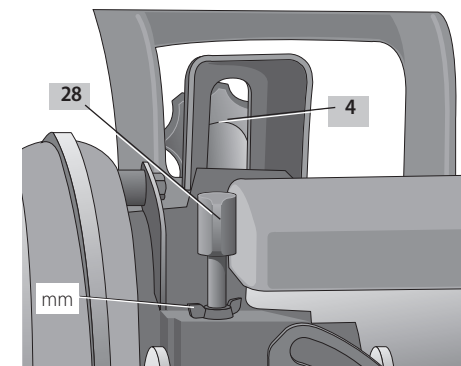
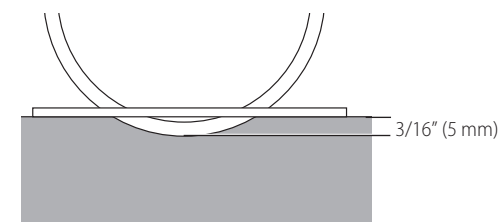
- Faire glisser l'ensemble établi de coupe sur le système de montants. Soulever légèrement l'avant de l'établi de coupe pour le faire passer par dessus sa butée.



ÉTAPE 4

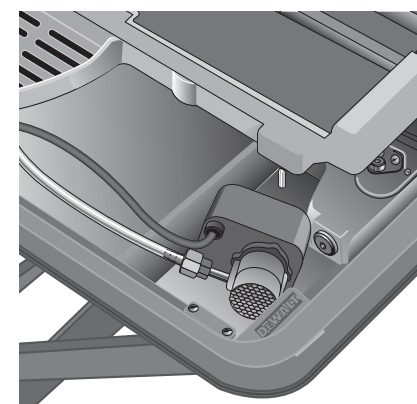
- Le bord externe de la lame doit toujours se trouver à au moins 5 mm (3/16") au-dessous de la surface de l'établi de coupe. Faire passer complètement l'établi de coupe de l'autre côté de la lame pour s'assurer que la profondeur de coupe de cette dernière est correctement réglée pour éviter de découper l'établi. Régler le bouton de réglage de la profondeur de coupe **28** puis visser l'écrou à oreille **39** et le bouton de verrouillage de l'organe de coupe **4**.

Pour plus de détails, se référer à la section **Réglage** dans le manuel d'instruction.



ÉTAPES 5, 6, 7, 8

- Installer la scie sur la cuvette d'eau. L'orifice de drainage de la cuvette doit être à l'avant.
- Rattacher la pompe à eau à l'alimentation d'eau puis brancher le cordon électrique de la pompe dans une prise. Disposer la pompe correctement dans la cuvette, comme illustré.
- Remplir la cuvette de 19 litres (5 gallons) d'eau. La pompe devrait être submergée.
REMARQUE : Pour augmenter la durée de vie de la pompe toujours utiliser de l'eau propre.
- Mettre la scie en marche. Pour réduire l'arrivée d'eau, utiliser le réducteur de débit sur l'alimentation d'eau.



COMPOSANTS (FIG. A–D)

L'ensemble du bras moteur est déjà assemblé au moment de la livraison. Ouvrir la boîte, puis soulever et retirer l'ensemble, tel qu'illustré à la figure A.

- | | |
|-----------------------------|---|
| 1 Interrupteur marche-arrêt | 9 Plateau d'eau de l'établi de coupe |
| 2 Ensemble du bras moteur | 10 Guide-bord |
| 3 Poignée de plongée | 11 Cuvette d'eau |
| 4 Bouton de verrouillage | 12 Bâti de la scie de l'organe de coupe |
| 5 Protège-lame | 13 Buses d'eau |
| 6 Lame | 14 Pompe à eau |
| 7 Plateau d'eau arrière | 15 Rallonge de l'établi de coupe |
| 8 Établi de coupe | |

ASSEMBLAGE (FIG. B–D)

- Placer le bâti de la scie **12** sur une surface stable.
- Retirer les vis **15** du bâti au moyen de la clé fournie.
- Mettre le bras du moteur **2** sur le bâti.
- Fixer solidement l'organe de coupe de la scie en mettant deux des vis **15** dans les trous qui se trouvent le plus près du montant, puis serrer les vis au moyen de la clé fournie. Installer ensuite les deux autres vis dans les deux autres trous et les serrer.
- Placer l'ensemble de la scie dans la cuvette d'eau **11** tel qu'illustré à la figure B.
- Incliner légèrement le devant de l'établi de coupe **8** vers le bas. Aligner la flèche illustrée à l'arrière de l'établi avec le montant rond du bâti de la scie, puis glisser l'établi sur le système de montant, en s'assurant de dégager la butée de l'établi avec les deux paires de galets.
- Placer le raccord fileté dans la pompe à eau **14**, puis fixer le tube d'eau claire **16** au raccord fileté (Fig. D). Mettre la pompe à eau dans le coin le plus profond de la cuvette d'eau, près du bouchon de vidange. Enfiler le cordon d'alimentation de la pompe dans la prise **17**.
- Installer le plateau d'eau arrière **7**.
- Installer le plateau d'eau de l'établi de coupe **9**.

Fixation de la lame (Fig. E)

- Au moyen de la plus petite à six pans fournie, desserrer (sans la retirer) la vis **18** située sur le côté du protège-lame **5**, puis replier la bande en caoutchouc située sur le côté et soulever le protège-lame vers l'arrière de la scie.
- Enfoncer le bouton de verrouillage de la broche et retirer l'écrou de la lame **19** au moyen de la clé à six pans fournie. Enlever la bride externe **20**.
- Installer la lame **6** en orientant la flèche rotative dans le même sens que celle du protège-lame. Enfoncer le bouton de verrouillage de la broche **21** et serrer l'écrou de la lame.
- Replacer le protège-lame et serrer la vis **18**.
- Régler la profondeur de la lame (voir la section « Profondeur de coupe »).

Fixation du guide-bord (Fig. L)

- Placer le guide-bord **10** sur l'établi de coupe **8**.
- Tourner le bouton de verrouillage du guide-bord **23** vers la droite pour le serrer.

Fig. B

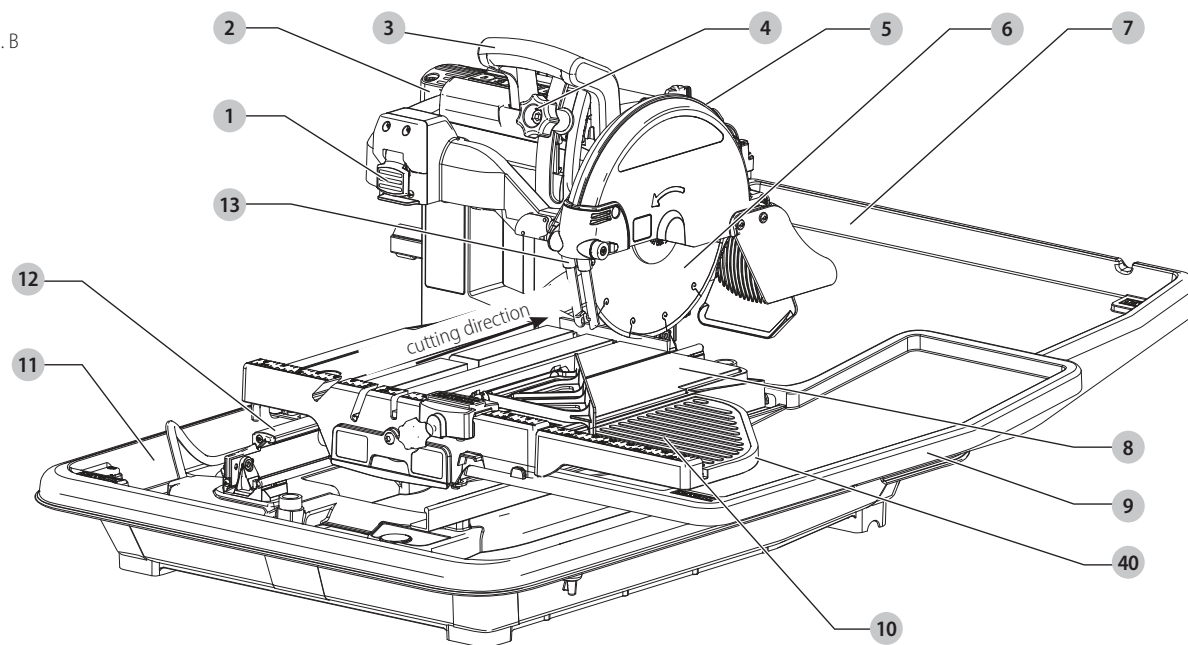


Fig. C

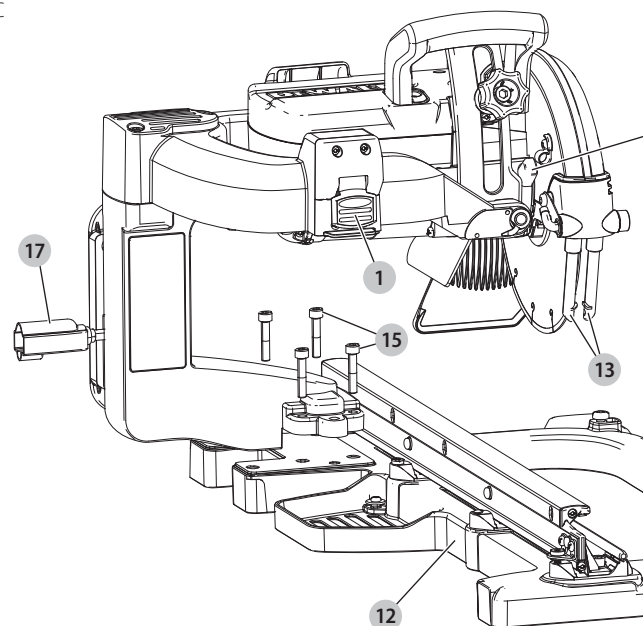


Fig. D

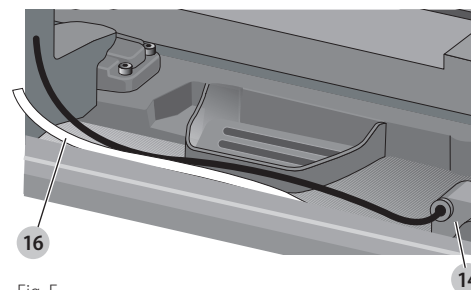
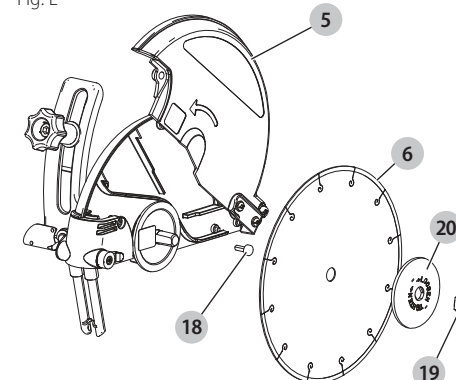


Fig. E



Caractéristiques techniques

Tension	120 V
Intensité	15A
tr/min	4 200
Profondeur de coupe	80 mm (3-1/8 po)
Angles d'onglet	22,5 ° et 45 °
Dimension des lames	Lames à bords continus de 178 mm (7 po), 203 mm (8 po), 229 mm (9 po) et 254 mm (10 po) et lame à profiler de 152 mm (6 po)

FONCTIONNEMENT

Mise en place de l'outil

Placer le support (D24001, voir la section « Accessoires ») sur une surface de niveau, puis mettre la scie sur le support, tel qu'illustré à la Figure T.

Si on n'utilise pas le support, placer la scie sur une surface de niveau.

Moteur

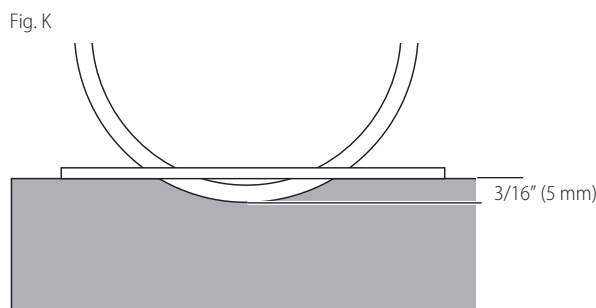
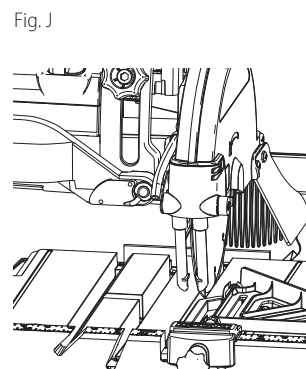
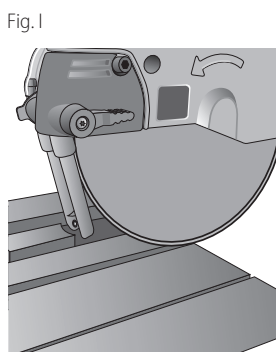
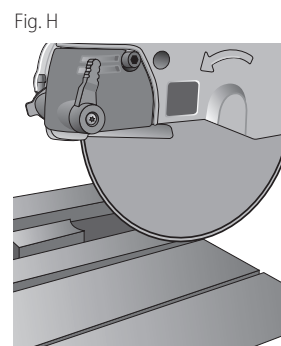
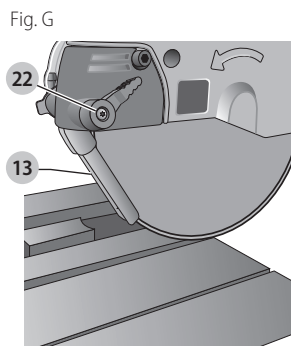
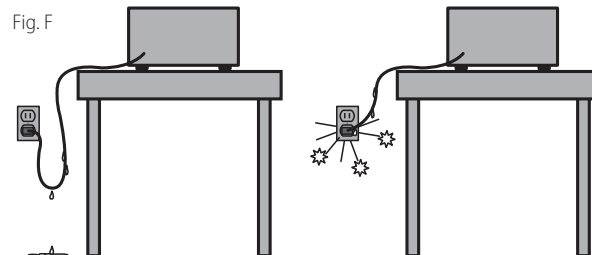
S'assurer que l'intensité nominale du cordon d'alimentation correspond à celle indiquée sur la plaque signalétique. Une chute de tension de plus de 10 % entraînera une perte de puissance et une surchauffe. Tous les outils DeWALT sont soumis à un essai en usine; si cet outil ne fonctionne pas, on doit d'abord vérifier l'intensité nominale du cordon d'alimentation.

- Toujours enficher la scie dans une prise munie d'un disjoncteur de fuite de terre.
- Toujours enficher la rallonge dans une prise protégée par un disjoncteur de fuite de terre.
- N'utiliser que des rallonges conçues pour un usage à l'extérieur, et marquées à cet effet, comme celles portant l'indication suivante : « Cette rallonge peut être utilisée avec des appareils d'extérieur; la ranger à l'intérieur après chaque utilisation ».
- N'utiliser que des rallonges ayant une intensité nominale égale ou supérieure à celle du produit.
- Ne pas utiliser une rallonge endommagée; l'examiner avant de l'utiliser et la remplacer, au besoin.
- Ne pas utiliser la rallonge de manière abusive, ni la débrancher en tirant sur celle-ci.
- Tenir les cordons, y compris les rallonges, à l'écart des sources de chaleur et des bords tranchants.
- Toujours débrancher la rallonge de la prise de courant avant de débrancher le produit de la rallonge.

Interrupteur de marche-arrêt

⚠ AVERTISSEMENT : Afin d'éviter de mouiller la fiche ou la prise de l'appareil, positionner le coupe-tuile à l'eau à côté d'une prise murale afin d'empêcher l'eau de s'égoutter sur la prise ou la fiche. L'utilisateur doit installer une « boucle d'égouttement » sur le cordon de la scie raccordé à la prise (Fig. F). La boucle est la partie du cordon située sous le niveau de la prise ou le connecteur lorsqu'une rallonge est utilisée afin d'empêcher l'eau de s'écouler le long du cordon et d'entrer en contact avec la prise.

Pour mettre le coupe-tuile en marche, soulever l'interrupteur marche-arrêt ①; l'outil se verrouille automatiquement. Pour arrêter l'outil, pousser l'interrupteur marche-arrêt vers le bas. Un trou est fourni sous l'interrupteur



en vue d'y insérer un cadenas dans le but de prévenir une utilisation non autorisée.

Buses d'eau

Les buses d'eau 13 sont réglables afin de fournir une quantité maximale d'eau pour la coupe et d'optimiser la capacité en minimisant la pulvérisation excessive et les la formation de gouttelettes. Le levier de réglage 22 permet de régler facilement les buses à la position voulue.

1. Position optimale qui réduit au minimum la pulvérisation excessive (Fig. G).
2. Les buses d'eau 13 peuvent être complètement escamotées afin d'optimiser la capacité (Fig. H).
3. La position d'arrêt de la lame permet d'éliminer la pulvérisation excessive de l'eau entre les coupes et de remplacer les lames (Fig. I).

Alignement de la lame

Vérification de l'alignement (Fig. J)

1. Placer une équerre de charpentier de 90 ° sur le guide de l'établi de coupe 24.
2. Pousser l'établi le long de la lame afin de déterminer si le jeu le long de l'équerre est consistant durant toute la course.
3. Si le jeu n'est pas consistant, voir la section « Réglages » du présent manuel.

Profondeur de la lame (Fig. K)

Le bord extérieur de la lame doit toujours être situé au moins 5 mm (3/16 po) sous la surface de l'établi. Pousser ce dernier complètement à travers la lame avant de réaliser une coupe afin de s'assurer que la profondeur de la lame est réglée correctement et de prévenir la coupe de l'établi.

Si la hauteur de la lame n'est pas réglée, voir la section « Réglages » du présent manuel. Sinon, on risque de causer des dommages ou des blessures.

Réalisation d'une coupe (Fig. L)

⚠ ATTENTION : Arrêter et débrancher l'outil avant d'effectuer un réglage ou de retirer ou d'installer une pièce ou un accessoire. S'assurer que l'interrupteur est en position d'arrêt.

Avant de mettre la scie en marche, vérifier l'établi de coupe et la lame afin de s'assurer qu'ils sont bien alignés. Toujours centrer la lame dans une des rainures de l'établi 25 avant d'effectuer une coupe (0 °, 22,5 ° ou 45 °). Si la lame n'est pas centrée dans la rainure de l'établi, voir la section « Réglages » du présent manuel.

1. Remplir un seau de 18,9 litres (5 gallons) avec de l'eau, puis submerger la pompe à eau dans le seau.
2. Placer la tuile à couper sur l'établi et fixer solidement le guide-bord 10 au moyen de son bouton de verrouillage 23. Toujours garder les mains éloignées de la lame.
3. Tirer l'interrupteur marche-arrêt ① vers le haut pour mettre la scie en marche. Attendre que le jet d'eau provenant de la pompe couvre complètement la lame.

REMARQUE : La réalisation d'une coupe sans eau endommagera la lame.

4. Diriger doucement l'établi vers la lame, puis alimenter lentement la tuile dans celle-ci. Continuer à pousser jusqu'à ce que la lame coupe complètement à travers la tuile.
5. Arrêter la scie en poussant l'interrupteur marche-arrêt ① vers le bas.
6. Une fois que la lame se soit complètement immobilisée, retirer la tuile de l'établi.

Verrouillage de l'établi de coupe (Fig. M)

L'établi comprend trois positions de verrouillage.

Déplacer l'établi jusqu'à la position voulue et le verrouiller en place en tournant la goupille **26** et en la poussant dans le trou du montant.

Types de Coupes (Fig. L-0)

⚠ ATTENTION : Arrêter et débrancher l'outil avant d'effectuer un réglage ou de retirer ou d'installer une pièce ou un accessoire. S'assurer que l'interrupteur est en position d'arrêt.

Toujours effectuer un essai à blanc afin de se familiariser avec le trajet de la lame. S'exercer sur une tuile de retaile afin de s'assurer de se sentir bien à l'aise avec l'opération de coupe. Pousser l'établi au-delà de la lame avant de mettre la scie en marche; s'assurer que la lame est réglée à la bonne hauteur, au centre de la rainure.

Indicateur de coupe

Une fois la profondeur de la lame réglée et l'essai à blanc terminé, mettre la scie en marche afin de couper une rainure dans l'indicateur de coupe **27**. Voir la section « Réglages » afin d'obtenir plus d'information.

Coupes droites

1. Au moyen d'un marqueur ou d'un crayon gras, tracer une marque sur la section à couper de la tuile.
2. Placer la tuile sur l'établi de coupe, contre son guide **24**, et aligner la marque avec la lame.
3. Tirer l'interrupteur marche-arrêt vers le haut afin de mettre la scie en marche et attendre que la lame soit complètement immergée dans l'eau.
4. Diriger doucement l'établi vers la lame, puis alimenter lentement la tuile dans la lame. Continuer à pousser jusqu'à ce que la lame coupe complètement à travers la tuile.
5. Arrêter la scie.

Coupes diagonales

Les coupes diagonales sont aussi connues sous le nom de « coupes de long point à long point ».

1. Aligner le point de la tuile qui se trouve le plus près du guide de l'établi de coupe **24** avec l'indicateur de coupe **27**. Ce dernier indique l'endroit exact où la lame sortira de l'établi de coupe, dans le guide. Il est à noter qu'il faut couper l'indicateur de coupe avant d'utiliser la scie pour la première fois (voir la section « Réglages » du présent manuel).
2. Aligner le devant de la tuile avec la lame et la retenir contre le guide-bord.
3. Mettre la scie en marche et effectuer la coupe.
4. Arrêter la scie.

Coupes en L

Une coupe en L est une section de la tuile qu'on retire et qu'on utilise lorsqu'on coupe un morceau de tuile afin de l'ajuster dans le coin d'une armoire ou une boiserie.

1. Tracer une marque sur la section à couper, des deux côtés de la tuile.
2. Aligner la tuile avec le guide de l'établi et réaliser la coupe assez profondément dans la tuile en évitant de trop couper.
3. Effectuer une coupe sur l'autre marque indiquée sur la tuile, en évitant de trop couper.
4. Tourner la tuile à l'envers et réaliser une coupe le long de l'une des marques (à cette étape-ci, on peut surcouper sans endommager la

Fig. L

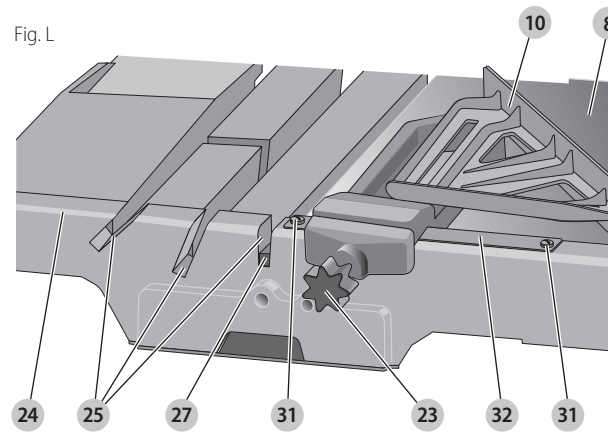


Fig. M

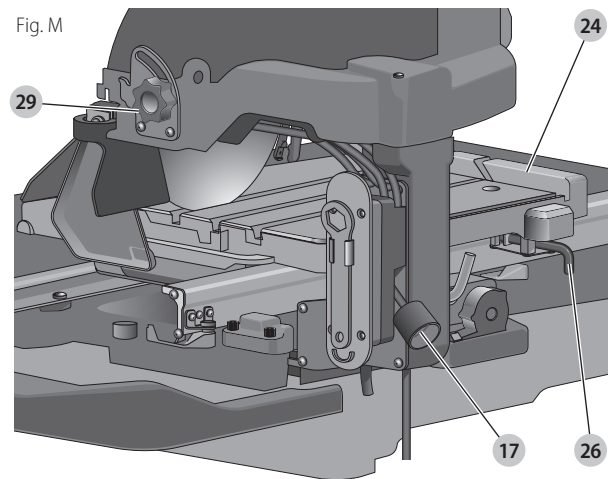


Fig. N

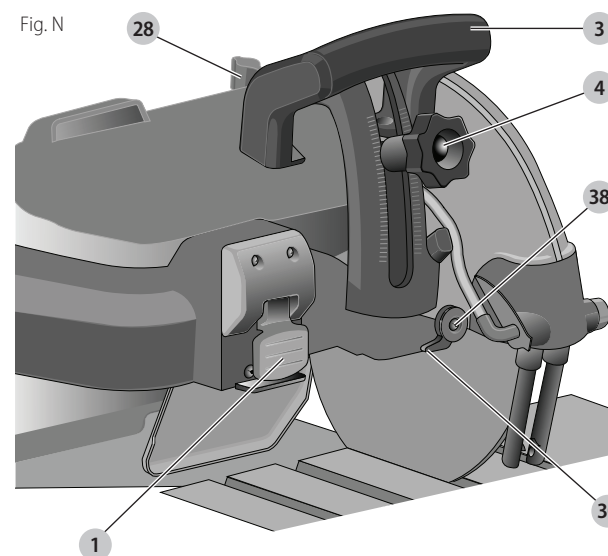
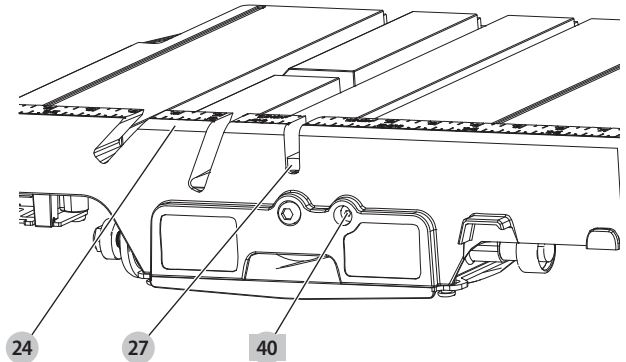


Fig. O



surface exposée de la tuile en raison du rayon de la lame). Surcouper l'autre marque; la pièce coupée devrait se détacher de la tuile.

5. Arrêter la scie.

Coupes en plongée

Les coupes en plongée sont utilisées lorsqu'on retire le centre de la tuile pour y passer les prises électriques ou pour accommoder le registre d'air d'un climatiseur.

1. Tracer une marque la section à couper sur les deux côtés de la tuile.
2. Relâcher l'organe de coupe en desserrant son bouton de verrouillage **4**.
3. Régler le bouton de réglage de la profondeur de coupe **28** situé à l'arrière du protège-lame afin d'empêcher la lame de pénétrer trop profondément dans la tuile et de couper à travers l'établi. Toujours effectuer un essai à blanc afin de se familiariser avec le trajet de la lame. S'exercer sur une tuile de retaile afin de s'assurer de se sentir bien à l'aise avec l'opération de coupe.
4. Placer la tuile sur l'établi en orientant le côté fini vers le haut.
5. Aligner la marque avec la lame.
6. Mettre la scie en marche. Tenir la poignée de plongée **3** d'une main et la tuile de l'autre, en s'assurant de bien éloigner les mains de la lame. Abaisser lentement l'organe de coupe dans la tuile, puis la couper jusqu'au bord de la marque, en évitant de trop couper.
7. Reprendre les étapes pour chaque marque, en évitant encore une fois de trop couper.
8. Tourner la tuile à l'envers et reprendre les étapes 2 et 3, en surcouper le long des lignes afin que la pièce puisse se détacher.
REMARQUE : Il peut être nécessaire d'ébarber les coins au moyen de pinces à tuiles (non fournies avec la scie).
9. Arrêter la scie.

Coupes en onglet de 22,5 ° et de 45 °

On utilise une coupe en onglet pour couper les coins intérieurs et extérieurs de tuiles, de moulures murales décoratives et de plinthes.

On peut régler l'organe de coupe à trois positions : 0 °, 22,5 ° ou 45 °. Les trois rainures **25** de l'établi permettent de régler l'organe de coupe à l'une de ces trois positions sans couper à travers l'établi **8**.

1. Desserrer le bouton de verrouillage d'angle de biseau **29** situé à l'arrière de la scie, et régler l'organe de coupe à l'angle d'onglet approprié.

L'indicateur du biseau **30** qui se trouve à l'avant de la scie indique l'angle de réglage.

1. Toujours effectuer un essai à blanc et pousser l'établi au-delà de la lame avant de mettre la scie en marche. S'assurer que la lame est bien réglée au centre de la rainure.
2. Tracer une marque sur la tuile et aligner celle-ci contre le guide de l'établi et le guide-bord, puis exécuter la coupe.
3. Arrêter la scie.

Déplacement de la scie

⚠ ATTENTION : Ne pas tenter de déplacer la scie lorsque les plateaux sont remplis d'eau afin d'éviter de se blesser.

Avant de déplacer la scie, s'assurer de vider la cuvette d'eau en plaçant un seau de 18,9 litres (5 gallons) sous le bouchon de vidange. Retirer le bouchon et laisser l'eau s'écouler dans le seau.

RÉGLAGES (FIG. N-Q)

⚠ ATTENTION : Arrêter et débrancher l'outil avant d'effectuer un réglage ou de retirer ou d'installer une pièce ou un accessoire. S'assurer que l'interrupteur est en position d'arrêt.

Réglage de la Lame à 90 ° de l'établi

1. Placer une équerre de 90° sur l'établi de coupe.
2. Si le jeu n'est pas consistant, desserrer le bouton de verrouillage d'angle de biseau **29** et régler la vis de réglage de biseau de 0° **33** au moyen de la clé fournie, jusqu'à ce que la lame soit à 90° de la surface de l'établi.
3. S'assurer que la lame ne touche pas à l'un ou à l'autre des deux côtés de la rainure de l'établi en poussant celui-ci au-delà de la lame (s'assurer que la scie est en position d'arrêt).

Réglage de la Lame à 45 ° de l'établi

1. Desserrer le bouton de verrouillage d'angle de biseau et tourner l'organe de coupe jusqu'à un angle de 45°.
2. Mettre un guide de 45° sur la surface de l'établi de coupe, près de la lame. S'il n'est pas placé à 45°, régler la vis de réglage d'angle de biseau de 45° **33** au moyen de la clé fournie jusqu'à ce que la lame atteigne cet angle par rapport à la surface de l'établi.
3. Mettre la scie en position d'arrêt. S'assurer que la lame ne touche pas à l'un ou à l'autre des deux côtés de la rainure de l'établi en poussant ce dernier au-delà de la lame.

Coupe parallèle à l'établi de coupe

1. Déposer un équerre de 90° à plat sur la surface de l'établi, en appuyant un côté contre le guide de l'établi **24**.
2. Si la lame n'est pas à 90° du guide, on doit ajuster le montant.
3. Desserrer les quatre vis de montage de l'ensemble du montant **34**.
4. Déplacez légèrement le rail jusqu'à ce que la molette soit perpendiculaire au guide de l'établi.
5. Serrer les quatre vis du montant.

Résistance au Roulement de L'établi (réglage du montant)

1. Desserrer les quatre vis de réglage de hauteur du montant **37**.
2. Régler les deux boutons de réglage de hauteur du montant **36** jusqu'à ce que l'établi se déplace librement.
3. Serrer les quatre vis.

Fig. P

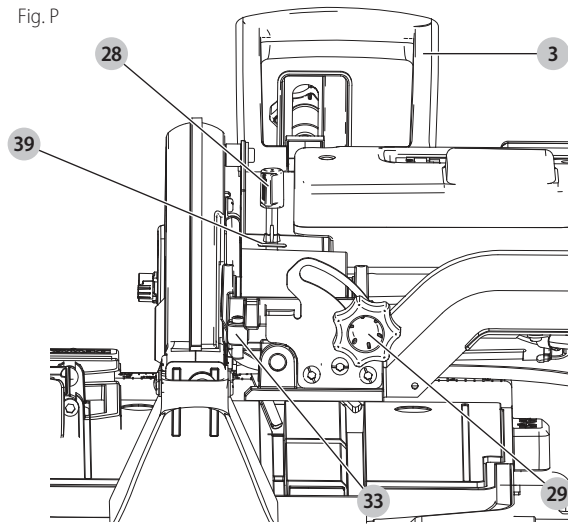


Fig. Q

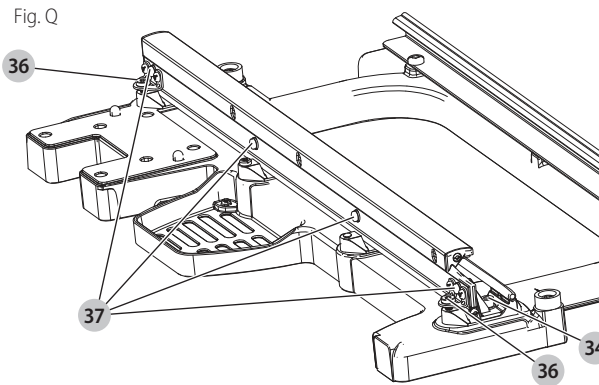
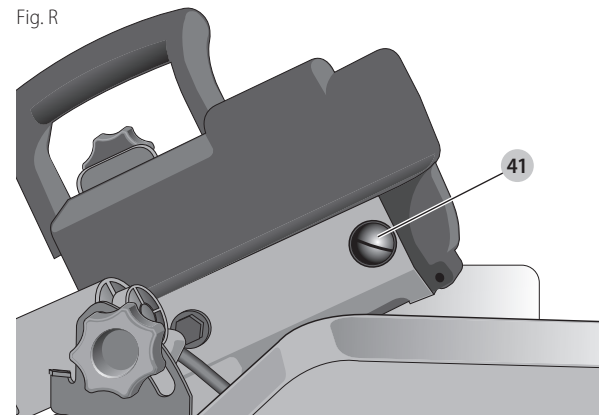


Fig. R



Indicateur du biseau (Fig. N)

Desserrer la vis de l'indicateur du biseau de 0° **38** et tourner l'indicateur **30** jusqu'à l'endroit voulu.

Profondeur de coupe

1. Desserrer le bouton de verrouillage de l'organe de coupe **4**.
2. Régler le bouton de réglage de la profondeur de coupe **28** jusqu'à ce que la lame soit placée à au moins 5 mm (3/16 po) sous la surface de l'établi.
3. Arrêter la scie et pousser l'établi au-delà de la lame, en s'assurant que celle-ci ne touche pas à l'établi.
4. Régler le bouton de réglage de la profondeur de coupe puis visser l'écrou à oreille **39** et le bouton de verrouillage de l'organe de coupe **4**.

Indicateur de coupe

L'indicateur de coupe **27** aide à aligner la lame pour les coupes longues et diagonales en indiquant l'endroit où la lame doit sortir de la ligne de coupe. On peut utiliser ce dispositif plusieurs fois avant qu'il ne soit nécessaire d'effectuer un réglage.

1. Desserrer la vis de blocage **40**.
2. Tourner l'indicateur de coupe afin d'exposer la surface non coupée.
3. Serrer la vis de blocage.

ENTRETIEN

Balais (Fig. R)

⚠ ATTENTION : Arrêter et débrancher l'outil avant d'effectuer un réglage ou de retirer ou d'installer une pièce ou un accessoire. S'assurer que l'interrupteur est en position d'arrêt.

On doit inspecter régulièrement les balais de charbon. Pour ce faire, débrancher l'outil, retirer le capuchon d'inspection des balais **41**, puis les balais eux-mêmes. Maintenir ces derniers propres afin qu'ils puissent glisser librement dans leurs guides. Lorsqu'on place un balai, on doit prendre soin de le mettre dans le même sens qu'avant. Divers symboles apparaissent sur les côtés de chaque balai; on doit remplacer ces derniers lorsque l'usure a atteint la ligne la plus près du ressort. Afin d'assurer le bon fonctionnement de l'outil, n'utiliser que les balais DeWALT identiques et de même qualité offerts aux centres de service de la compagnie. Laisser l'outil marcher à vide pendant 10 minutes avant de l'utiliser afin de s'assurer que les nouveaux balais sont bien en place.

Transport et rangement (Fig. S)

Le plateau d'eau arrière **7**, le plateau d'eau de l'établi de coupe **9** et la cuvette d'eau **11** peuvent s'emboîter l'un dans l'autre afin de faciliter le transport (Fig. S).

Nettoyage

1. Immerger la pompe à eau dans un seau rempli d'eau propre et pomper l'eau dans le système de tuyaux souples.
2. Arrêter et débrancher l'outil de la source d'alimentation électrique.
3. Placer un seau de 18,9 litres (5 gallons) sous le bouchon de vidange. Retirer le bouchon et laisser l'eau s'écouler dans le seau.
4. Glisser l'établi de coupe hors du système de montants. Pulvériser l'établi au moyen du tuyau souple ou l'essuyer à l'aide d'une éponge à coulis ou d'un chiffon.

5. Essuyer les montants, le carter du moteur et le bras de support au moyen d'une éponge à coulis ou d'un chiffon. Il n'est pas nécessaire de pulvériser des lubrifiants sur le montant du guide ni sur les roues.

6. Nettoyer la cuvette d'eau en la pulvérisant au moyen du tuyau souple ou en l'essuyant à l'aide d'une éponge à coulis.

Nettoyer l'outil au moyen d'un savon doux et d'un linge humide seulement. Plusieurs nettoyeurs domestiques contiennent des produits chimiques qui peuvent gravement endommager le plastique; ne pas utiliser d'essence, de térébenthine, de décapant, de diluant pour peintures, de produits de nettoyage à sec ou d'autres produits de même nature. Ne jamais laisser de liquide s'infiltrer à l'intérieur de l'outil; ne jamais immerger ce dernier dans quelque liquide que ce soit.

Lubrification

AVERTISSEMENT : NE JAMAIS pulvériser, ni appliquer de quelque manière que ce soit, un lubrifiant ou un solvant de nettoyage à l'intérieur de l'outil, car cela pourrait nuire sérieusement à la vie et au rendement de l'outil et entraîner des risques de blessure.

Les outils DeWALT sont lubrifiés en usine et sont donc prêts à utiliser. Cependant, on recommande d'apporter ou d'envoyer l'outil une fois par année dans un centre de service qualifié afin qu'il puisse être complètement nettoyé et inspecté.

Accessoires

AVERTISSEMENT : puisque les accessoires autres que ceux offerts par DeWALT n'ont pas été testés avec ce produit, leur utilisation pourrait s'avérer dangereuse. Pour réduire le risque de blessures, utiliser exclusivement les accessoires DeWALT recommandés avec le présent produit.

Les accessoires recommandés pour cet outil sont vendus séparément au centre de service de votre région. Pour obtenir de l'aide concernant l'achat d'un accessoire, communiquer avec DeWALT Industrial Tool Co., 701 East Joppa Road, Towson, MD 21286 aux États-Unis; composer le 1 800 433-9258 (1 800 4-DeWALT) ou visiter notre site Web : www.dewalt.com.

Support D24001 (Fig. T)

LAMES

178 mm (7 po)	Céramique	DW4760
254 mm (10 po)	Céramique	DW4761
254 mm (10 po)	Porcelaine	DW4762

Réparations

AVERTISSEMENT : pour assurer la SÉCURITÉ et la FIABILITÉ du produit, les réparations, l'entretien et les réglages doivent être réalisés (cela comprend l'inspection et le remplacement du balai, le cas échéant) par un centre de réparation en usine DeWALT ou un centre de réparation agréé DeWALT. Toujours utiliser des pièces de rechange identiques.

Registre en ligne

Merci pour votre achat. Enregistrez dès maintenant votre produit:

- **RÉPARATIONS SOUS GARANTIE:** cette carte remplie vous permettra de vous prévaloir du service de réparations sous garantie de façon plus efficace dans le cas d'un problème avec le produit.
- **CONFIRMATION DE PROPRIÉTÉ:** en cas de perte provoquée par un incendie, une inondation ou un vol, cette preuve de propriété vous servira de preuve auprès de votre compagnie d'assurances.

Fig. S

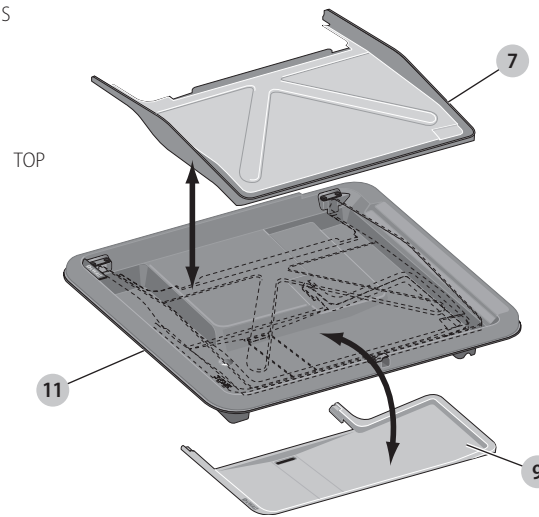
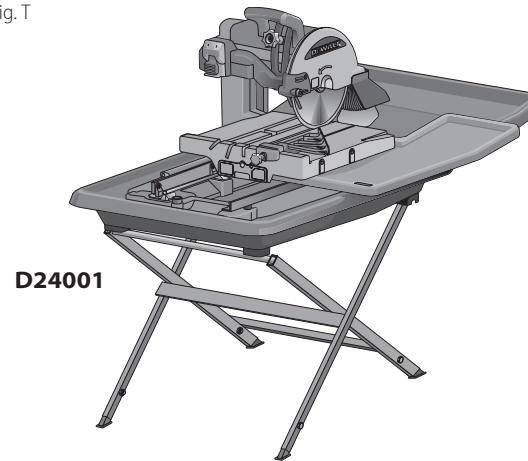


Fig. T



- **SÉCURITÉ:** l'enregistrement de votre produit nous permettra de communiquer avec vous dans l'éventualité peu probable de l'envoi d'un avis de sécurité régi par la loi fédérale américaine de la protection des consommateurs.

Registre en ligne à www.dewalt.com/register.

Garantie limitée de trois ans

DeWALT réparera, sans frais, tout produit défectueux causé par un défaut de matériel ou de fabrication pour une période de trois ans à compter de la date d'achat. La présente garantie ne couvre pas les pièces dont la défectuosité a été causée par une usure normale ou l'usage abusif de l'outil. Pour obtenir de plus amples renseignements sur les pièces ou les réparations couvertes par la présente garantie, visiter le site www.dewalt.com ou composer le 1 800 433-9258 (1 800 4-DeWALT). CETTE GARANTIE LIMITÉE REMPLACE TOUTE AUTRE GARANTIE, Y COMPRIS TOUTE GARANTIE IMPLICITE DE QUALITÉ MARCHANDE OU DE CONFORMITÉ À DES FINS PARTICULIÈRES, ET EXCLUT TOUT DOMMAGE ACCESSOIRE OU INDIRECT. Certains états n'autorisent aucune limitation quant à la durée d'une garantie implicite ni aucune exclusion ou limitation de garantie contre tout préjudice accessoire ou indirect, aussi il se peut que ces exclusions ne vous soient pas applicables. Cette garantie confère des droits légaux particuliers à l'acheteur, mais celui-ci pourrait aussi bénéficier d'autres droits variant d'un territoire à l'autre.

En plus de la présente garantie, les outils DeWALT sont couverts par notre :

CONTRAT D'ENTRETIEN GRATUIT D'UN AN

DeWALT entretiendra l'outil et remplacera les pièces usées au cours d'une utilisation normale et ce, gratuitement, pendant une période d'un an à compter de la date d'achat.

GARANTIE DE REMBOURSEMENT DE 90 JOURS

Si l'acheteur n'est pas entièrement satisfait, pour quelque raison que ce soit, du rendement de l'outil électrique, du laser ou de la cloueuse DeWALT, celui-ci peut le retourner, accompagné d'un reçu, dans les 90 jours à compter de la date d'achat pour obtenir un remboursement intégral, sans aucun problème.

AMÉRIQUE LATINE : cette garantie ne s'applique aux produits vendus en Amérique latine. Pour ceux-ci, veuillez consulter les informations relatives à la garantie spécifique présente dans l'emballage, appeler l'entreprise locale ou consulter le site Web pour les informations relatives à cette garantie.

REPLACEMENT GRATUIT DES ÉTIQUETTES D'AVERTISSEMENT : si les étiquettes d'avertissement deviennent illisibles ou sont manquantes, composer le 1 800 433-9258 (1 800 4-DeWALT) pour en obtenir le remplacement gratuit.

Guide de dépannage

S'ASSURER DE SUIVRE TOUTES LES DIRECTIVES, Y COMPRIS LES CONSIGNES DE SÉCURITÉ

PLUSIEURS PROBLÈMES COURANTS PEUVENT ÊTRE FACILEMENT RÉGLÉS EN CONSULTANT LE TABLEAU CI-DESSOUS. PAR CONTRE, EN PRÉSENCE D'UN PROBLÈME PLUS GRAVE OU PERSISTANT, ON DOIT COMMUNIQUER AVEC UN CENTRE DE SERVICE DEWALT OU COMPOSER LE 1 800 433-9258 (1 800 4-DEWALT).

Problème! La Scie Ne Démarre Pas

Que Se Passe-T-Il?

1. La scie n'est pas branchée.
2. Le disjoncteur de fuite de terre s'est déclenché.
3. La scie ne fonctionne pas (lorsqu'elle est branchée et que l'interrupteur est en position de marche).
4. Le fusible a sauté ou le disjoncteur s'est déclenché.
5. Le cordon est endommagé.
6. Les balais sont usés.

Quoi Faire...

1. Brancher la scie.
2. Mettre l'interrupteur à la position d'arrêt et réenclencher le disjoncteur.
3. Mettre l'interrupteur à la position d'arrêt et réenclencher le disjoncteur.
4. Mettre l'interrupteur à la position d'arrêt et remplacer le fusible ou réenclencher le disjoncteur.
5. Faire remplacer le cordon par un centre de service autorisé.
6. Faire remplacer les balais par un centre de service autorisé.

Problème! La Scie Ne Coupe Pas De Manière Satisfaisante

Que Se Passe-T-Il?

1. La lame est usée.
2. La pompe à eau ne pompe pas l'eau.
3. La lame est installée à l'envers.
4. Des particules se sont accumulées sur la lame.
5. La lame ne convient pas aux travaux.

Quoi Faire...

1. Remplacer la lame. Voir la page 18.
2. Retirer la pompe à eau et la pulvériser avec de l'eau propre pour détacher le rotor.
3. Tourner la lame à l'envers. Voir la page 18.
4. Enlever les particules au moyen d'une pierre de parement.
5. Changer la lame. Voir la page 18.

Problème! La Lame N'atteint Pas Sa Vitesse Maximale

Que Se Passe-T-Il?

1. La rallonge est trop longue ou de calibre insuffisant.
2. L'arbre s'est desserré.
3. L'alimentation électrique est insuffisante.

Quoi Faire...

1. La remplacer par une rallonge appropriée. Voir la page 14.
2. Serrer l'arbre.
3. Appeler la compagnie d'électricité.

Problème! La Scie Vibre Excessivement

Que Se Passe-T-Il?

1. La scie n'est pas fixée solidement sur le support.
2. Le support ou l'établi est sur une surface inégale.
3. La lame est endommagée.

Quoi Faire...

1. Repositionner la cuvette d'eau sur le support.
2. Le placer sur une surface plane.
3. Remplacer la lame. Voir la page 18.

Problème! La Lame N'effectue Pas Les Coupes Avec Précision

Que Se Passe-T-Il?

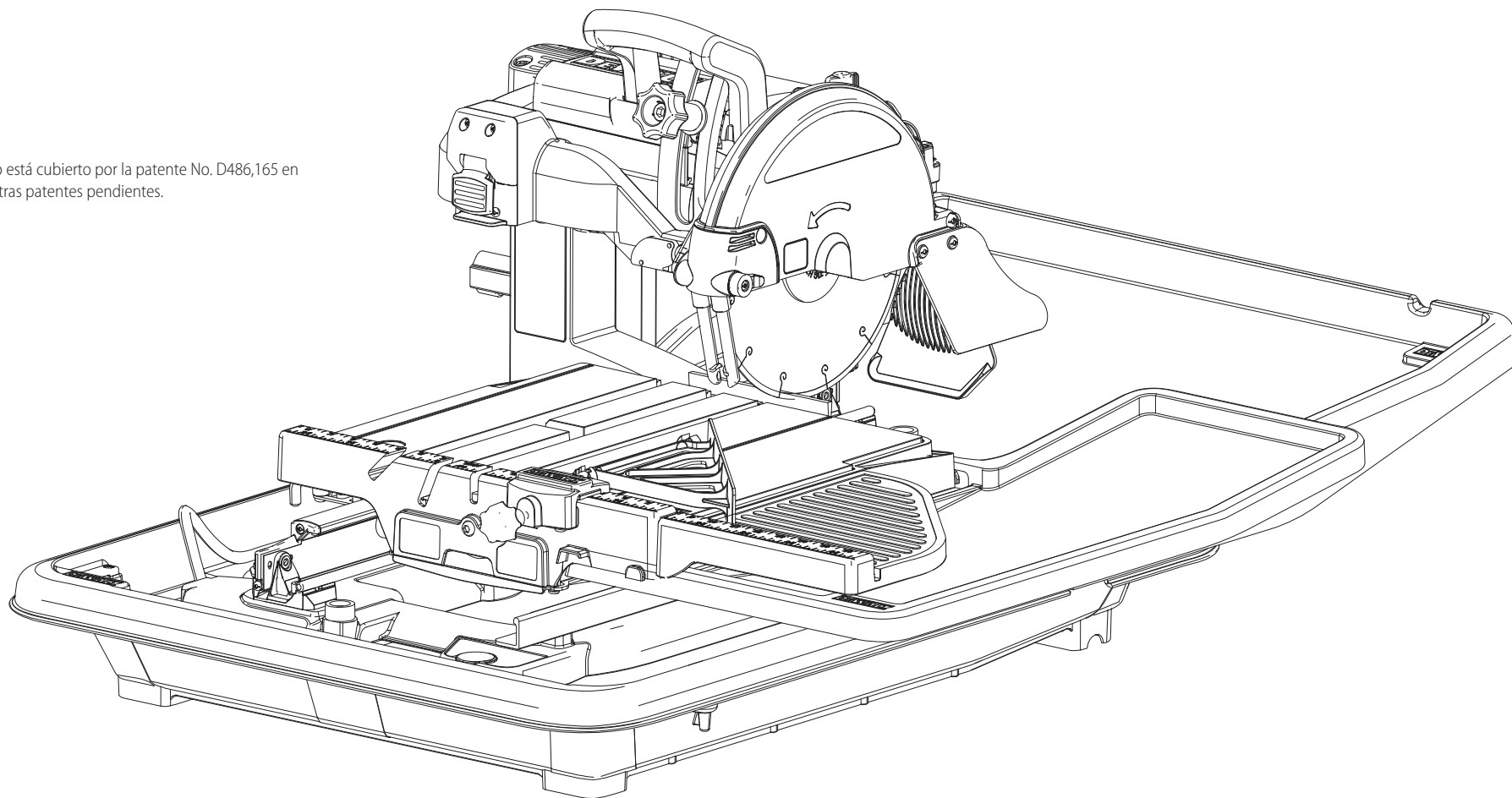
1. Le guide-bord n'est pas fixé solidement au guide.
2. La lame n'est pas perpendiculaire au guide.
3. La lame n'est pas perpendiculaire à la surface de l'établi.
4. La pièce bouge.

Quoi Faire...

1. Vérifier et régler le guide-bord. Voir la page 18.
2. Vérifier et régler la lame. Voir la page 21.
3. Vérifier et régler le guide. Voir la page 21.
4. Utiliser le guide-bord.

SI VOUS AVEZ DES QUESTIONS OU COMMENTAIRES SUR
CE OU TOUT OUTIL DE DEWALT, APPELEZ-NOUS TOLL GRATUIT À:
1-800-4-DEWALT (1-800-433-9258)

Este producto está cubierto por la patente No. D486,165 en
los EE.UU. y otras patentes pendientes.



ÍNDICE

INSTRUCCIONES DE SEGURIDAD IMPORTANTES PARA TODA HERRAMIENTA	26	AJUSTES	33
INSTRUCCIONES DE CONEXIÓN A TIERRA	26	DISCO DE CORTE PERPENDICULAR AL CARRO	33
REGLAS DE SEGURIDAD ADICIONALES PARA SIERRAS DE CORTE HÚMEDO	27	DISCO DE CORTE A 45° DEL CARRO	33
GUÍA DE REFERENCIA RÁPIDA	28	CORTE PARALELO AL CARRO DE CORTE	33
CARACTERÍSTICAS	30	RESISTENCIA DE RODAJE DEL CARRO (AJUSTE DEL RIEL)	33
ENSAMBLAJE	30	INDICADOR DE BISEL	33
ESPECIFICACIONES	31	PROFUNDIDAD DE CORTE	33
OPERACIÓN	31	INDICADOR DE CORTE	
UBICACIÓN DE LA HERRAMIENTA	31	MANTENIMIENTO	34
MOTOR	31	ESCOBILLAS	34
CONMUTADOR DE ENCENDIDO/APAGADO	31	TRANSPORTE Y ALMACENAMIENTO	34
BOCAS DE AGUA	32	LIMPIEZA	34
ALINEACIÓN DEL DISCO DE CORTE	32	LUBRICACIÓN	34
PROFUNDIDAD DEL DISCO DE CORTE	32	ACCESORIOS	34
REALIZACIÓN DEL CORTE	32	REPARACIONES	34
BLOQUEO DEL CARRO DE CORTE	32	GARANTÍA	34
TIPOS DE CORTE	32	GUÍA DE RESOLUCIÓN DE PROBLEMAS	36

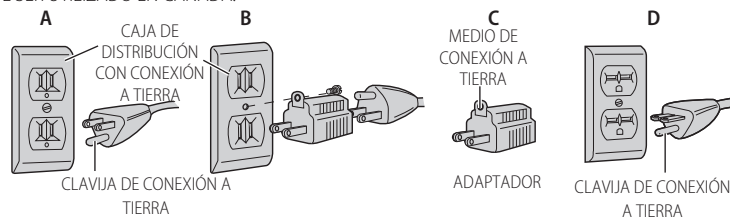
Instrucciones de seguridad importantes para toda herramienta

⚠️ ADVERTENCIA: Para su propia seguridad, lea el manual de instrucciones antes de operar la sierra de corte húmedo. El no respetar estas advertencias puede resultar en lesiones corporales y daños serios a la sierra. Cuando realice el mantenimiento de esta herramienta, utilice únicamente repuestos originales. Haga cambiar cables eléctricos dañados en un centro de servicio autorizado.

Instrucciones de Conexión a Tierra

- En el caso de una falla o avería, la conexión a tierra proporciona una vía de menor resistencia para la corriente eléctrica, reduciendo el riesgo de choque eléctrico. Esta herramienta viene con un cable equipado con un conductor a tierra para el equipo y un enchufe con conexión a tierra. El enchufe deberá conectarse a una toma que haga juego y que esté instalada apropiadamente y conectada a tierra en conformidad con todos los códigos y regulaciones locales.
- No modifique el enchufe que viene con el equipo – si no entra en la toma de corriente, haga instalar una toma apropiada por un electricista calificado.
- La conexión indebida del conductor a tierra del equipo puede ocasionar un choque eléctrico. El conductor cuyo aislamiento sea verde, con o sin franjas amarillas, es el conductor a tierra del equipo. Si se requiere reparar o reemplazar el cable o enchufe, no conecte el conductor a tierra del equipo a un terminal con carga.
- Consulte con un electricista o personal de servicio calificado si no comprende bien las instrucciones de conexión a tierra, o si tiene alguna duda sobre la conexión a tierra correcta del equipo.
- Utilice sólo alargadores de 3 hilos, con enchufes con conexión a tierra de 3 patas y tomas de corriente de 3 polos que acepten el enchufe de la herramienta.
- Repare o cambie cables dañados o desgastados inmediatamente.

Esta herramienta debería estar conectada a tierra durante su uso para proteger al operador de descargas eléctricas. Esta herramienta viene con un cable de 3 hilos y un enchufe con conexión a tierra de 3 patas para enchufar sólo en tomas de corriente apropiadas con conexión a tierra. El hilo verde (o verde y amarillo) en el cable es el hilo de conexión a tierra. Nunca conecte el hilo verde (o verde y amarillo) a un terminal con carga. Si su unidad fue diseñada para una corriente menor a 150 V, su enchufe será como el que aparece en el bosquejo 'A'. Si fue diseñada para una corriente de entre 150 y 250 V, su enchufe será como el que aparece en el bosquejo 'D'. También se encuentra disponible un adaptador, ilustrado en los bosquejos 'B' y 'C', para conectar enchufes del tipo que aparece en el bosquejo 'A' a tomas de corriente para enchufes de 2 patas. La oreja verde rígida que sobresale del adaptador debe conectarse a una conexión permanente a tierra, tal como una caja de distribución debidamente conectada a tierra. No existen adaptadores disponibles para enchufes del tipo que aparece en el bosquejo 'd'. EL ADAPTADOR QUE APARECE EN LOS BOSQUEJOS B y C NO PUEDE SER UTILIZADO EN CANADÁ.



⚠️ ADVERTENCIA: Para reducir el riesgo de electrocución, mantenga todas las conexiones secas y no las deje en el suelo.

⚠️ ADVERTENCIA: La sierra viene con un interruptor accionado por corriente de pérdida a tierra (GFCI). Algunas tomas de corriente vienen con protección GFCI incorporada y pueden ser utilizadas como medida adicional de seguridad. Si utiliza un alargador, el GFCI debería ser conectado a la fuente de corriente antes del alargador.

⚠️ ADVERTENCIA: La bomba de agua debe ser enchufada a una toma de corriente protegida por un GFCI.

NOTA: No haga funcionar la bomba en seco.

⚠️ ADVERTENCIA: Pruebe el GFCI antes de cada uso:

- Enchufe el GFCI a la toma de corriente. El indicador debería ponerse rojo.
- Presione el botón de prueba. El indicador rojo debería apagarse.
- Presione el botón de reposición para utilizar el GFCI. Si la prueba anterior falla, no lo use.

⚠️ ATENCIÓN: CUANDO REALICE MANTENIMIENTO, USE SÓLO REPUESTOS ORIGINALES. Repare o cambie aquellos alargadores que estén dañados. Siempre cambie el cable por uno que tenga protección GFCI.

⚠️ ADVERTENCIA: Nunca use la sierra con agua salada o un líquido conductor.

⚠️ ADVERTENCIA: Al usar las herramientas eléctricas, se deben tomar siempre en cuenta las medidas de seguridad básicas para reducir el riesgo de incendio, choque eléctrico y lesiones corporales, incluyendo las siguientes medidas:

- MANTENGA LOS PROTECTORES EN SU SITIO y en buenas condiciones de funcionamiento.
- QUITE LAS LLAVES DE AJUSTE. Hágase el hábito de comprobar que la herramienta no tenga ninguna llave de ajuste puesta antes de encenderla.
- MANTENGA LIMPIA EL ÁREA DE TRABAJO. Las áreas y mesas de trabajo desordenadas aumentan el riesgo de lesiones.
- NO UTILICE LA HERRAMIENTA EN AMBIENTES PELIGROSOS. No utilice máquinas herramienta en lugares húmedos o mojados ni las exponga a lluvia o nieve. Mantenga el área de trabajo bien iluminada.
- MANTENGA ALEJADOS A NI—OS. Toda visita debería mantenerse a una distancia segura del área de trabajo.
- QUE SU TALLER SEA A PRUEBA DE NI—OS. Para ello utilice candados o interruptores maestros o quite las llaves de arranque.
- NO FUERCE LA HERRAMIENTA. La herramienta hace el trabajo mejor y más seguro a la velocidad para la cual fue diseñada.
- UTILICE LA HERRAMIENTA CORRECTA. No fuerce la herramienta o el accesorio a que realice una tarea para la cual no fue diseñada.
- USE EL ALARGADOR INDICADO. Cerciórese de que su alargador esté en buenas condiciones. Al usar un alargador, asegúrese de que tenga el calibre necesario para llevar la corriente que su producto requerirá. Un cable de un calibre insuficiente causará una caída en la tensión de la línea dando por resultado una pérdida de energía y sobrecalentamiento. La tabla siguiente muestra el tamaño correcto para utilizar, dependiendo de la longitud del cable y del amperaje nominal de la placa de identificación. En caso de duda, utilice el de mayor calibre. Cuanto más pequeño es el número del calibre, más resistente es el cable.

Calibre mínimo de conjuntos de cables

Voltios		Longitud total del cable en pies (metros)			
120 V		25 (7,6)	50 (15,2)	100 (30,5)	150 (45,7)
240 V		50 (15,2)	100 (30,5)	200 (61,0)	300 (91,4)
Amperaje nominal		AWG			
Más de	Más de				
0	6	18	16	16	14
6	10	18	16	14	12
10	12	16	16	14	12
12	16	14	12	Not Recommended	

- USE ROPA ADECUADA. No lleve ropa suelta, guantes, corbatas, anillos, pulseras u otras joyas que podrían engancharse en las piezas móviles. Se recomienda el uso de calzado antideslizante. Cúbrase y recójase el pelo si lo tiene largo. Los orificios de ventilación suelen cubrir piezas en movimiento, por lo que también se deben evitar.
- USE SIEMPRE LENTES DE SEGURIDAD. Utilice además una máscara para la cara o guardapolvo si la operación de corte genera demasiado polvo. Los anteojos de uso diario sólo tienen lentes resistentes a golpes, NO son anteojos de seguridad.
- AFIRME BIEN SU TRABAJO. Coloque siempre la pieza de cerámica horizontalmente sobre el carro y firmemente contra el guía.
- Nunca use un calentador o ningún tipo de fuente de calor para calentar el agua. Podría resultar en daños a la herramienta, incendios o lesiones corporales.
- NO SE SOBREEXTIENDA. Manténgase siempre bien apoyado y equilibrado.
- CUIDE LAS HERRAMIENTAS. Mantenga las herramientas afiladas y limpias para un funcionamiento mejor y más seguro. Siga las instrucciones para lubricar y cambiar accesorios.
- DESCONECTE LAS HERRAMIENTAS antes de realizar mantenimiento o reparaciones cuando cambie accesorios tales como discos de corte, tuercas de fijación, alargadores, etc.
- REDUZCA EL RIESGO DE PUESTAS EN MARCHA ACCIDENTALES. Asegúrese de que el conmutador esté apagado antes de enchufarla.
- UTILICE LOS ACCESORIOS RECOMENDADOS. Consulte el manual de instrucciones para conocer los accesorios recomendados. El uso de accesorios no debidos puede producir un riesgo de lesiones corporales.
- NUNCA SE PARE SOBRE LA HERRAMIENTA. Podría sufrir graves lesiones si la herramienta se cae a un lado o si se entra en contacto no intencionado con la herramienta de corte.

- **REVISE LAS PIEZAS DAÑADAS.** Antes de utilizar esta herramienta, revise cuidadosamente los protectores o piezas dañadas para determinar si la herramienta podrá funcionar debidamente y realizar la función para la cual fue diseñada – revise las piezas móviles para confirmar su alineación y capacidad de movimiento; confirme que todas las piezas estén enteras y debidamente ensambladas y que no exista ninguna condición que pudiera afectar su operación. Cualquier protector o pieza dañada debe repararse debidamente o cambiarse.
- **DIRECCIÓN DE LA ALIMENTACIÓN.** Alimente la pieza de trabajo al disco de corte sólo en la dirección de rotación.
- **JAMÁS DEJE SIN SUPERVISIÓN UNA HERRAMIENTA EN FUNCIONAMIENTO. APAGUE LA HERRAMIENTA.** No deje la herramienta hasta que no se haya detenido completamente.
- **REPUESTOS.** Cuando realice mantenimiento o reparaciones, use sólo repuestos originales.

Reglas de Seguridad Adicionales para Sierras de Corte Húmedo

- **ADVERTENCIA:** Para reducir el riesgo de electrocución, mantenga todas las conexiones secas y no las deje en el suelo. No toque el enchufe si tiene las manos mojadas.
- **ATENCIÓN:** Use protección auditiva apropiada durante el uso de esta herramienta. El ruido generado por este producto puede contribuir a la pérdida auditiva bajo algunas condiciones y duraciones de uso.
- **ATENCIÓN:** No enchufe la herramienta hasta leer y comprender todas las instrucciones.
- Utilice equipo de seguridad. Lleve siempre lentes protectores. Cuando sea adecuado, también se debe usar mascarilla antipolvo, zapatos de suela antideslizante, casco o protectores auditivos.
- Mantenga sus manos alejadas de la trayectoria del disco de corte. Nunca corte una pieza si su mano estará a 76 mm (3") o menos del disco de corte.
- No opere la sierra si no tiene el protector puesto.
- No realice ninguna operación a mano alzada, es decir, sin sostener la pieza de trabajo firmemente contra el guía.
- Nunca ponga las manos detrás del disco de corte.
- Sí - Use la extensión del carro de corte para dar el respaldo debido a piezas grandes.
- NO - Corte en seco. Si el disco de corte no se enfría con agua, podría causar daños serios. El corte en seco aumenta la exposición a polvos dañinos en el aire.
- Apague la herramienta y espere a que el disco de corte se detenga por completo antes de mover la pieza de trabajo o de cambiar las configuraciones.
- Para reducir el riesgo de lesiones, regrese el carro a su posición posterior total luego de cada corte.
- Sí - Proteja la línea de abastecimiento eléctrico con un fusible de acción retardada de 15 amperios o un interruptor de circuito, como mínimo.
- Sí - Asegúrese que el disco de corte gire en la dirección correcta, como lo indica la flecha en el disco de corte.
- Sí - Asegúrese que todos los mangos y perillas de las abrazaderas estén ajustadas antes de iniciar cualquier operación.
- Sí - Asegúrese que todos los discos de corte y las arandelas de sujeción estén limpias y que los bordes hundidos de los collares estén contra el disco de corte. Ajuste bien el tornillo del mandril.
- Sí - Mantenga el disco de corte debidamente alineado.
- Sí - Mantenga las ranuras de ventilación del motor libres de astillas y tierra.
- Sí - Mantenga las manos fuera de la trayectoria del disco de corte de la sierra.
- Sí - Apague y desenchufe la herramienta y espere hasta que el disco de corte de la sierra se detenga por completo antes de realizar algún mantenimiento o reparación, ajustar la herramienta o cambiar el disco de corte.
- NO - Intente operar la herramienta con un voltaje diferente a aquel para la cual fue diseñada. El uso del voltaje incorrecto podría resultar en descargas, incendios o en un funcionamiento no predecible.
- NO - Opere a no ser que todas las perillas y mangos de abrazaderas estén ajustados.
- NO - Utilice discos de corte de mayor o menor tamaño que el recomendado.
- NO - Fuerce la acción de corte. Permita que el motor alcance su velocidad plena antes de cortar. El parar el motor completa o parcialmente puede causar daños serios.
- NO - Use discos de corte abrasivos para metal. El calor excesivo y las partículas abrasivas generados por estos discos dañarán la sierra.
- Sí - Use sólo discos de bordes continuos, no dentados.
- NO - Permita que nadie se pare detrás de la sierra.
- NO - Coloque ninguna de sus manos en el área del disco de corte cuando la sierra esté enchufada.
- NO - Use discos de corte clasificados para menos que 5000 R.P.M.
- NO - Coloque las manos a una distancia menor a 76 mm (3") del disco de corte de la sierra.

- NO - Ponga las manos detrás o debajo de la sierra a no ser que esté apagada y desenchufada.
- NO - Mueva ninguna de las manos de la sierra o pieza de trabajo hasta que el disco de corte se haya detenido.
- Si el enchufe o la toma de corriente se moja, NO desenchufe la herramienta. Desconecte el fusible o interruptor de circuito que abastece electricidad a la herramienta. Luego desenchúfela y examine la toma para verificar que no contenga agua.

- **ADVERTENCIA:** Algunas partículas de polvo generadas al lijar, serrar, esmerilar y taladrar con herramientas eléctricas, así como al realizar otras actividades de construcción, contienen químicos que el Estado de California sabe que pueden producir cáncer, defectos congénitos u otras afecciones reproductivas. Ejemplos de estos químicos son:
 - plomo de algunas pinturas en base a plomo,
 - polvo de sílice proveniente de ladrillos y cemento y otros productos de albañilería, y
 - arsénico y cromo provenientes de madera tratada químicamente.

El peligro derivado de estas exposiciones varía en función de la frecuencia con que se realice este tipo de trabajo. Para reducir la exposición a estos químicos: trabaje en una zona bien ventilada y llevando equipos de seguridad aprobados, como mascarillas antipolvo especialmente diseñadas para filtrar partículas microscópicas.

- Evite el contacto prolongado con polvo procedente del lijado, serrado, esmerilado y taladrado eléctricos, así como de otras actividades del sector de la construcción. Lleve ropa protectora y lave con agua y jabón las zonas expuestas. Si permite que el polvo se le introduzca en la boca o los ojos o quede sobre su piel, puede favorecer la absorción de químicos peligrosos.

- **ADVERTENCIA:** El uso de esta herramienta puede generar o dispersar polvo lo cual puede causar lesiones respiratorias serias y permanentes y otros tipos de lesión. Siempre use protección respiratoria aprobada por NIOSH/ OSHA para la exposición al polvo. Dirija las partículas en dirección opuesta a su cara y cuerpo.

Para su conveniencia y seguridad, las siguientes etiquetas de advertencia se encuentran en su sierra de corte húmedo:

En la Columna

- **ADVERTENCIA:** POR SU PROPIA SEGURIDAD, LEA EL MANUAL DE INSTRUCCIONES ANTES DE OPERAR LA SIERRA PARA CORTAR CERÁMICA.
- SIEMPRE use PROTECCIÓN OCULAR.
- siempre use protección respiratoria apropiada.
- mantenga las manos alejadas de la trayectoria del disco de corte.
- use la herramienta sólo con discos de corte con bordes lisos, libres de aperturas y hendiduras.
- no opere la sierra si no tiene sus cubiertas puestas.
- siempre ajuste las perillas de ajuste antes de usarla.
- no realice ninguna operación a mano alzada.
- nunca ponga las manos detrás del disco de corte.
- nunca cruce los brazos en frente del disco de corte.
- apague la herramienta y espere a que el disco de corte se detenga por completo antes de mover la pieza de trabajo o de cambiar las configuraciones.
- desenchufe la herramienta antes de cambiar discos de corte, reparar o limpiar la herramienta.
- para reducir el riesgo de lesiones, siempre enchufe la herramienta a una toma de corriente protegida por un gfci y pruebe el gfci antes de usarla.
- siempre regrese el disco de corte a la posición debida antes de encender la sierra.
- use la salpicadera para todas las operaciones que pueda.
- cambie discos de corte da—ados antes de operar.
- no exponga a lluvia ni use en lugares húmedos.
- nunca use un calentador o ningún tipo de fuente de calor para calentar el agua.
- podría resultar en da—os a la herramienta, incendios o lesiones corporales.
- ¡piense! usted puede evitar que ocurran accidentes.

En la Cubierta del Disco de Corte

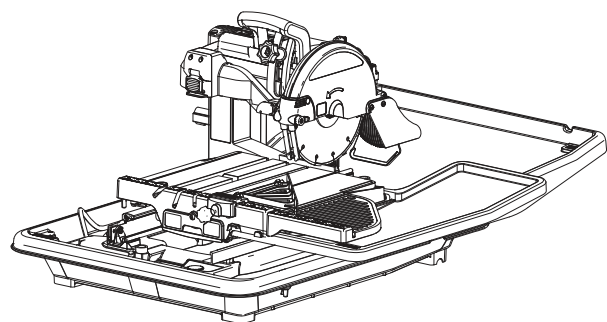
- **ATENCIÓN:** fije debidamente la cubierta con ambos tornillos antes de usar.

En el Carro

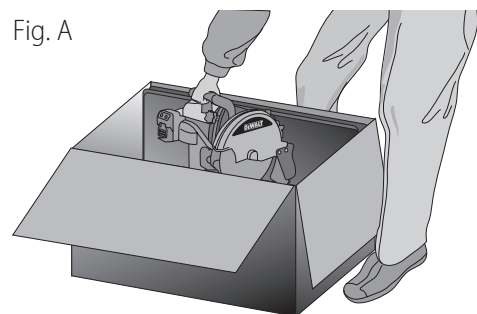
- **ADVERTENCIA:** Para reducir el riesgo de lesiones, siempre verifique que el disco de corte esté ajustado a la altura y ubicación correctas, en el centro de la hendidura del carro antes de operar la sierra.



Guía de referencia rápida Sierra de corte húmedo D24000



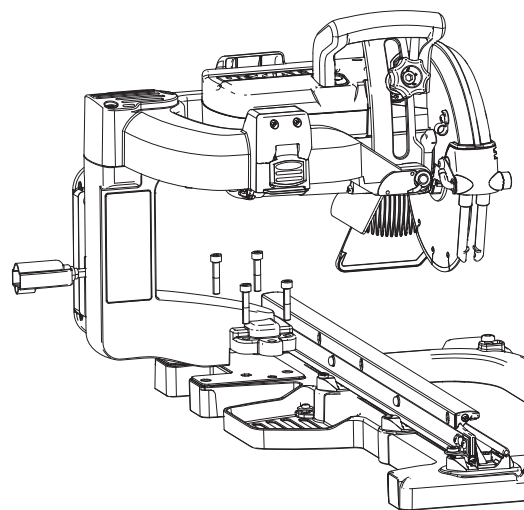
! **ADVERTENCIA:** Para su propia seguridad, lea el manual de instrucciones antes de operar la sierra de corte húmedo. El no respetar estas advertencias puede resultar en lesiones corporales y daños serios a la sierra. Cuando realice el mantenimiento de esta herramienta, utilice únicamente repuestos originales. Haga cambiar cables eléctricos dañados en un centro de servicio autorizado.



La unidad del brazo motriz viene ensamblada. Abra la caja y retire de ella la unidad, como lo muestra la Figura A.

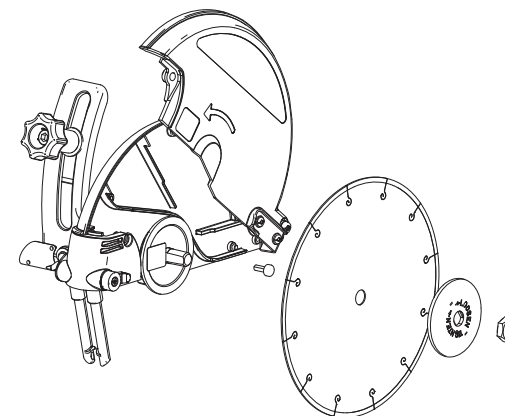
PASO 1

1. Instale el brazo del motor en la unidad del marco. Con la llave incluida, instale y ajuste primero los dos tornillos que se encuentran más cercanos al riel. Instale y ajuste los otros dos tornillos.



PASO 1

2. Conecte el disco de corte.
 - a. Con la llave hexagonal más pequeña incluida, afloje (sin retirar) el tornillo que está en el lado de la cubierta del disco de corte. Tire hacia atrás la tapa lateral de goma y levante la cubierta hacia la parte posterior de la sierra.
 - b. Presione el botón de bloqueo del eje. Retire la tuerca del disco de corte con la llave hexagonal incluida. Retire la pestaña exterior.
 - c. Instale el disco de corte con la flecha giratoria apuntando en la misma dirección que la flecha giratoria de la cubierta del disco de corte. Presione el botón de bloqueo del eje al tiempo que ajusta la tuerca del disco de corte.
 - d. Reponga la cubierta y ajuste el tornillo.



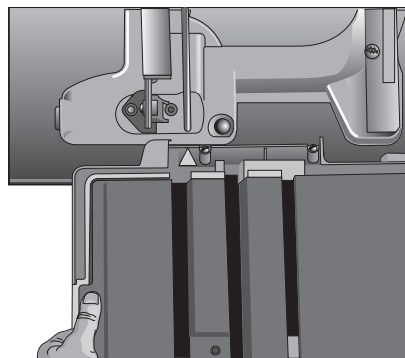
Para mayores detalles, refiérase a **Para Conectar el Disco de Corte**, en el manual de instrucciones.

PASO 3

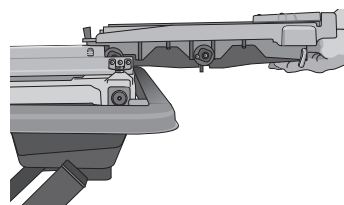
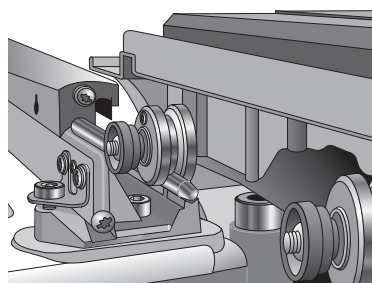
3. Conecte el carro de corte a los rieles.
Para mayores detalles, refiérase a **Ensamblaje** en el manual de instrucciones.

NOTA: Verifique que el seguro del carro esté abierto completamente.

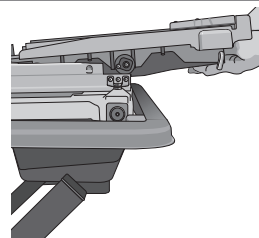
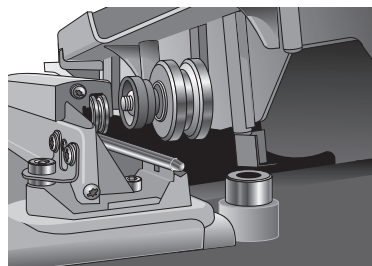
- a. Alinee la flecha en la parte posterior del carro de corte con el riel redondo del marco de la sierra.



- b. Coloque la unidad del rodillo sobre el riel redondo.



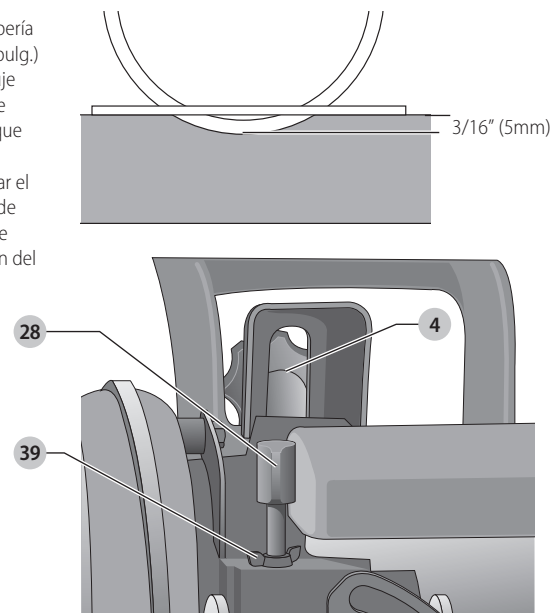
- c. Deslice la unidad del carro de corte sobre el sistema de rieles. Incline ligeramente la parte delantera del carro hacia arriba para que pueda pasar el tope del carro.



PASO 4

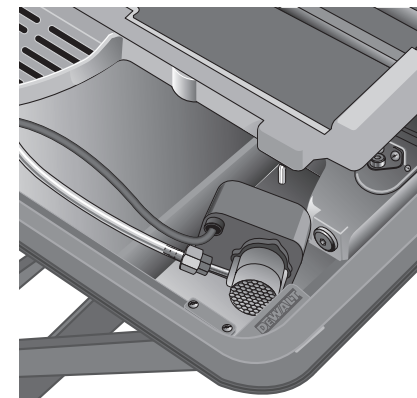
4. El borde exterior del disco de corte debería estar siempre a al menos 5 mm (3/16 pulg.) debajo de la superficie del carro. Empuje el carro completamente por el disco de corte antes de cortar para asegurarse que la profundidad del disco de corte esté debidamente ajustada para evitar cortar el carro. Ajuste la perilla de profundidad de corte **28** y ajuste la tuerca mariposa de fijación **39**, y luego la perilla de fijación del cabezal **4**.

Para mayores detalles, refiérase a **Ajustes** en el manual de instrucciones.



PASOS 5, 6, 7, 8

5. Coloque la sierra dentro del depósito de agua. El orificio de drenaje del depósito de agua debería quedar en la posición delantera.
6. Conecte la bomba de agua a la línea de agua y enchufe el cable de alimentación eléctrica de la bomba en el enchufe hembra. Coloque la bomba debidamente en el recipiente de agua, como aparece ilustrado.
7. Llene el depósito con 19 litros (5 galones) de agua. La bomba debería quedar sumergida.
NOTA: Para que su bomba dure más, siempre póngala en una fuente de agua limpia.
8. Encienda su sierra. Si se desea un flujo de agua menor, use el limitador de flujo en la línea del agua.



CARACTERÍSTICAS (FIG. A-D)

La unidad del brazo motriz viene ensamblada. Abra la caja y retire de ella la unidad, como lo muestra la Figura A.

- | | |
|-----------------------------------|-----------------------------------|
| 1 Conmutador de encendido | 8 Unidad del carro de corte |
| 2 Unidad de brazo motriz carro | 9 Accesorio de y apagado de corte |
| 3 Mango de descenso | 10 Guía de borde |
| 4 Perilla de fijación del cabezal | 11 Depósito de agua |
| 5 Tapa del disco de corte | 12 Unidad del marco |
| 6 Disco de corte de la sierra | 13 Bocas de agua de agua |
| 7 Accesorio posterior | 14 Bomba de agua |
| | 15 Extensión del carro de corte |

ENSAMBLAJE (FIG. B-D)

1. Coloque la unidad del marco de la sierra **12** sobre una superficie estable.
2. Con la llave incluida, retire los tornillos **15** de la unidad del marco de la sierra.
3. Coloque el brazo motriz **2** en la unidad del marco.
4. Fije el cabezal de la sierra con dos de los tornillos **15** en los orificios más cercanos al riel. Ajuste los tornillos con la llave incluida. Instale los otros dos tornillos en los otros dos orificios y ajústelos.
5. Coloque la unidad de la sierra en el depósito de agua **11**, como lo muestra la Figura B.
6. Incline la parte delantera de la unidad del carro de corte **8** hacia abajo con un ligero ángulo. Alinee la flecha en la parte posterior del carro de corte con el riel redondo del marco de la sierra. Deslice la unidad del carro de corte sobre el sistema del riel, colocando los rodillos en el riel pasando el tope del carro.
7. Coloque la junta con hilo en la bomba de agua **14**. Conecte el tubo de agua limpia **16** en la junta con hilo (Fig. D). Coloque la bomba de agua en la esquina más profunda del depósito de agua, cerca del tapón. Inserte el cable de alimentación de la bomba en la toma **17**.
8. Instale el accesorio posterior de agua **7**.
9. Instale el accesorio de agua del carro de corte **9**.

Para Conectar el Disco de Corte (Fig. E)

1. Con la llave hexagonal más pequeña incluida, afloje (sin retirar) el tornillo **18** que está en el lado de la cubierta del disco de corte **5**. Tire hacia atrás la tapa lateral de goma y levante la cubierta hacia la parte posterior de la sierra.
2. Presione el botón de bloqueo del eje. Retire la tuerca del disco de corte **19** con la llave hexagonal incluida. Retire la pestaña exterior **20**.
3. Instale el disco de corte **6** con la flecha giratoria apuntando en la misma dirección que la flecha giratoria de la cubierta del disco de corte. Presione el botón de bloqueo del eje **21** al tiempo que ajusta la tuerca del disco de corte.
4. Reponga la cubierta y ajuste el tornillo **18**.
5. Ajuste la profundidad del disco de corte (ver **disco de corte**).

Para Conectar el Guía de Bordes (Fig. L)

1. Coloque el guía de bordes **10** en la unidad del carro de corte **8**.
2. Gire el seguro del guía de bordes **23** en la dirección de las manillas del reloj para ajustarlo.

Fig. B

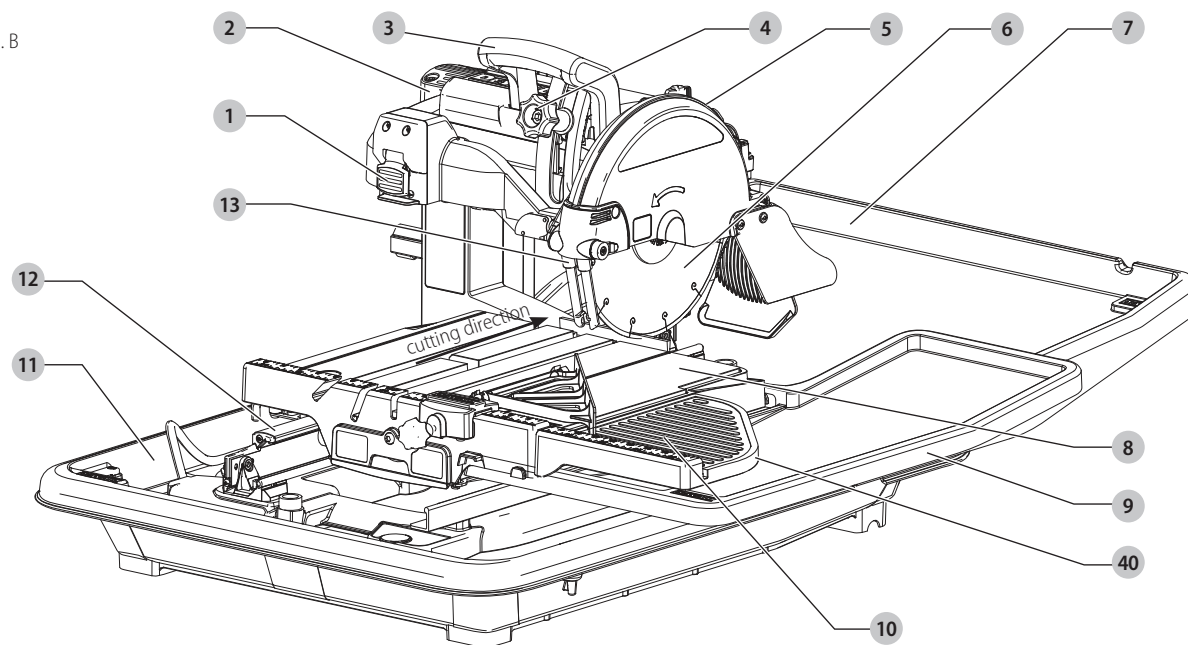


Fig. C

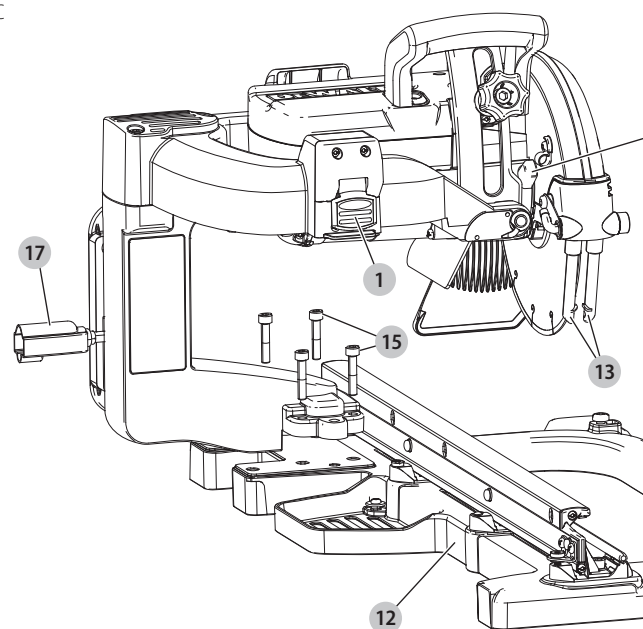


Fig. D

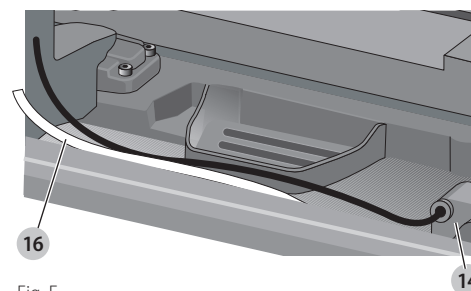
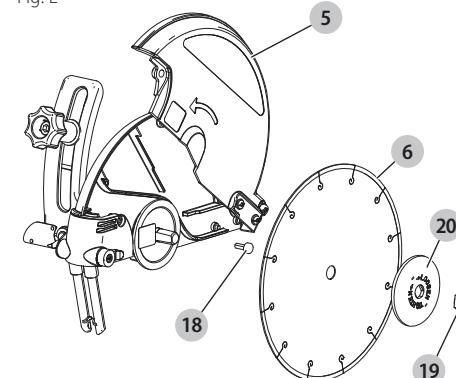


Fig. E



Especificaciones

Voltaje	120 V
Amperios	15A
RPM	4200
Profundidad de corte	80 mm (3–1/8")
Ángulos de inglete	22,5° y 45°
Tamaños de discos de corte	178 mm (7"), 203 mm (8"), 229 mm (9") y 254 mm (10") en discos de corte con bordes continuos y discos desbastadores de 152 mm (6")

OPERACIÓN

Ubicación de la herramienta

Coloque el pie (D24001, ver Accesorios) sobre una superficie pareja. Coloque la sierra sobre el pie, como lo muestra la Figura T. Si no usa un pie, coloque la sierra sobre una superficie pareja.

Motor

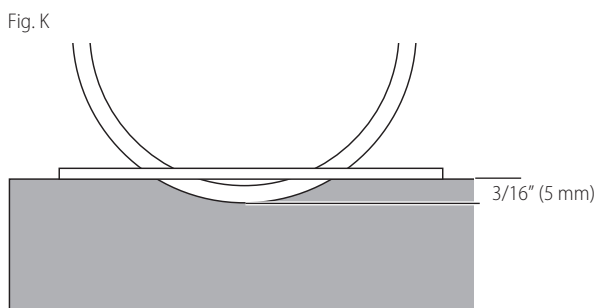
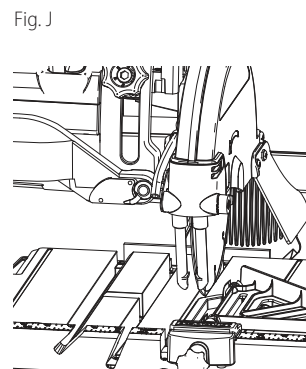
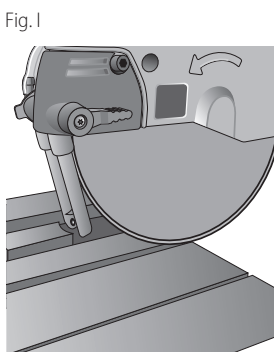
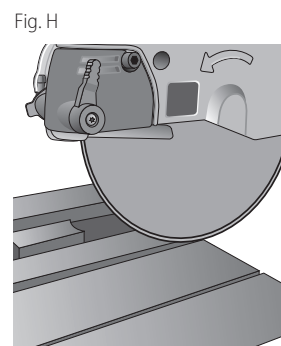
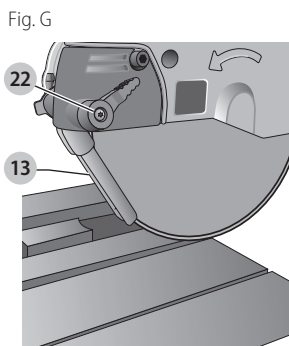
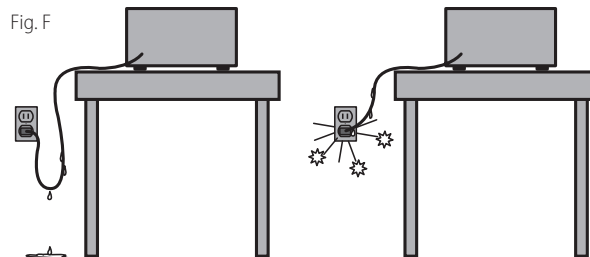
Asegúrese que el suministro eléctrico concuerde con el indicado en la placa nominal. Una reducción de voltaje superior a 10% provocará pérdida de potencia y sobrecalentamiento. Todas las herramientas DeWALT vienen probadas de fábrica; si esta herramienta no funciona, revise el abastecimiento eléctrico.

- Siempre enchufe la sierra en una toma GFCI.
- Siempre enchufe alargadores a tomas GFCI.
- Use sólo alargadores diseñados para uso a la intemperie. Estos alargadores son identificados como "aceptables para uso con un aparato de exterior; guarde bajo techo cuando no esté en uso."
- Use sólo alargadores con una clasificación eléctrica menor a la clasificación del producto.
- No utilice alargadores dañados. Revise los alargadores antes de utilizarlos y cámbielos si están dañados.
- No abuse el alargador y no tire de ningún cable para desenchufarlo.
- Mantenga el cable alejado de calor y bordes afilados.
- Siempre desenchufe el cable de la toma de corriente antes de desconectar el producto del alargador.

Conmutador de encendido y apagado

⚠ ADVERTENCIA: Para evitar la posibilidad que se moje el enchufe del aparato o la toma de corriente, coloque la sierra de corte húmedo al costado de una toma de corriente montada en la pared para evitar que caiga agua al enchufe o la toma de corriente. El usuario debería crear un "lazo de goteo" en el cable que conecta la sierra a la toma de corriente (Fig. F). El "lazo de goteo" es aquella parte del cable que se encuentra a una altura menor que la de la toma de corriente o del conector, si se utiliza un alargador, utilizado para evitar que el agua viaje por el cable y entre en contacto con la toma de corriente.

Para encender la sierra de corte húmedo, levante el conmutador de encendido y apagado 1. La sierra de corte húmedo automáticamente se bloquea en posición encendida. Para apagar la herramienta, empuje el conmutador hacia abajo. Debajo del conmutador encontrará un orificio para insertar un candado para evitar que la sierra sea utilizada sin su autorización.



Bocas de agua

Las bocas de agua 13 se pueden ajustar para proporcionar el máximo de agua para cortar y la máxima capacidad con la menor cantidad de exceso de rocío. La palanca de ajuste 22 permite el ajuste sencillo de las bocas a la posición deseada.

1. La posición óptima para la menor cantidad de rocío (Fig. G).
2. Las bocas de agua 13 se pueden replegar completamente para el máximo de capacidad (Fig. H).
3. Posición fuera de la rueda de corte para eliminar el exceso de rocío entre cortes y para cambiar la hoja (Fig. I).

Alineación del disco de corte

Para Revisar la Alineación (Fig. J)

1. Coloque una escuadra perpendicular al guía del carro de corte 24.
2. Empuje el carro de corte a lo largo del disco de corte para determinar si el espacio a lo largo de la escuadra es consistente en toda la tirada.
3. Si el espacio no es consistente, vea la sección de **Ajustes** de este manual.

Profundidad del disco de corte (Fig. K)

El borde exterior del disco de corte debería estar siempre a al menos 5 mm (3/16") debajo de la superficie del carro. Empuje el carro completamente por el disco de corte antes de cortar para asegurarse que la profundidad del disco de corte esté debidamente ajustada para evitar cortar el carro.

Si la altura del disco de corte no se ha fijado, vea la sección de **Ajustes** de este manual. El no ajustarlo debidamente podría causar daños o lesiones.

Realización del corte (Fig. L)

⚠ ATENCIÓN: Apague y desenchufe la herramienta antes de hacer cualquier ajuste o de quitar o instalar accesorios. Asegúrese que el conmutador esté en posición OFF (apagada).

Antes de encender la sierra, verifique la alineación del carro y disco de corte. Siempre centre el disco de corte en una de las hendiduras del carro de corte 25 antes de cortar (0°, 22,5° ó 45°). Si el disco de corte no está centrado en la hendidura del carro, vea la sección de **Ajustes** de este manual.

1. Llene un balde de aprox. 18,9 litros (5 galones) con agua. Sumerja la bomba de agua en el balde.
2. Ponga la pieza de cerámica que desea cortar sobre el carro de corte y fije el guía del borde 10 con el seguro del guía del borde 23. Mantenga siempre las manos alejadas del disco de corte.
3. Tire del conmutador de encendido y apagado 1 para encender la sierra. Espere hasta que el chorro de agua de la bomba de agua cubra completamente el disco de corte.

NOTA: Si corta la cerámica en seco, dañará el disco de corte.

4. Mueva el carro de corte hacia el disco de corte y luego, lentamente, alimente la cerámica hacia el disco de corte. Siga empujándolo hasta que el disco de corte atraviese la pieza de cerámica completa.
5. Empuje el conmutador de encendido y apagado 1 hacia abajo para apagar la sierra.
6. Luego de que el disco de corte se detenga, retire la pieza de cerámica del carro de corte.

Bloqueo del carro de corte (Fig. M)

Existen tres posiciones de bloqueo para el carro. Ponga el carro en la posición deseada y bloquéelo girando la clavija 26 y empujándola en un orificio en el riel.

Tipos de Corte (Fig. L–O)

⚠ ATENCIÓN: Apague y desenchufe la herramienta antes de hacer cualquier ajuste o de quitar o instalar accesorios. Asegúrese que el conmutador esté en posición OFF (apagada).

Siempre haga un corte de práctica para acostumbrarse a la trayectoria del disco de corte. Practique con un pedazo de desecho de cerámica para asegurarse de sentirse cómodo cortando. Empuje el carro más allá del disco de corte antes de encender la sierra. Asegúrese que el disco de corte esté ajustado al centro de la hendidura y a la altura debida.

Indicador de Corte

Luego de fijar el disco de corte y de hacer un corte de práctica, encienda la sierra para cortar una hendidura en el indicador de corte **27**. Vea **Ajustes** para mayor información.

Cortes Rectos

1. Con un marcador o lápiz de grasa, marque el área a cortar en la cerámica.
2. Ponga la cerámica en el carro de corte contra el guía del carro de corte **24** y alinee su marca con la del disco de corte.
3. Tire del conmutador hacia arriba para encender la sierra y espere que el disco de corte esté completamente cubierto de agua.
4. Mueva el carro de corte hacia el disco de corte y luego, lentamente, alimente la cerámica hacia el disco de corte. Siga empujándolo hasta que el disco de corte atraviese la pieza de cerámica completa.
5. Apague la sierra.

Cortes Diagonales

Los cortes diagonales también son llamados “cortes de punta a punta”.

1. Alinee la punta de la pieza que esté más cerca del guía del carro de corte **24** con el indicador de corte **27**. El indicador de corte indica el lugar exacto por donde el disco de corte saldrá del carro de corte en el guía. Observe que el indicador de corte deberá ser cortado la primera vez que use la sierra (ver **Ajustes**).
2. Alinee la parte delantera de la pieza con el disco de corte y sosténgala contra el guía del borde.
3. Encienda la sierra y haga el corte.
4. Apague la sierra.

Cortes en L

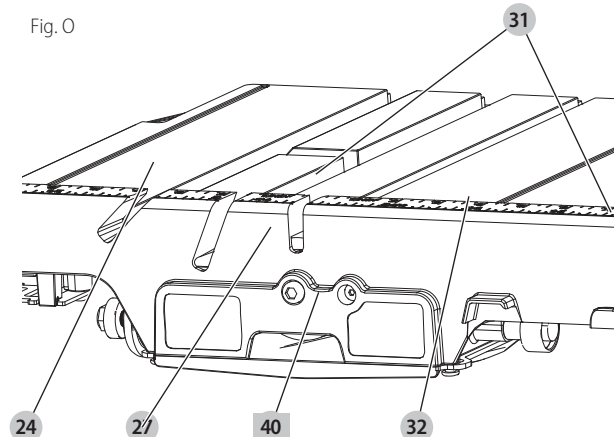
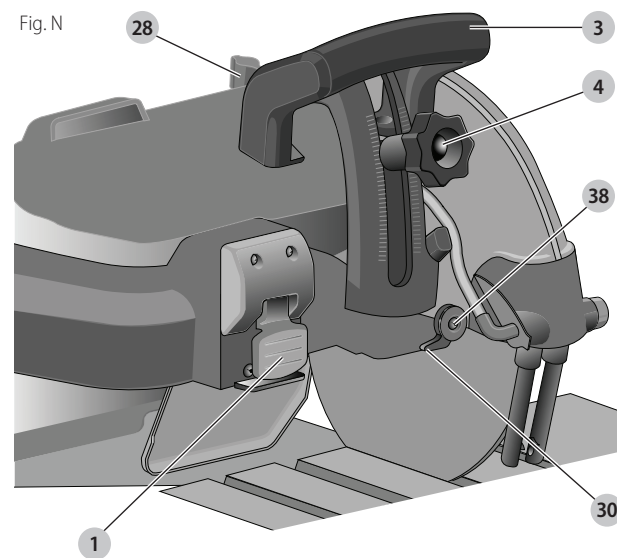
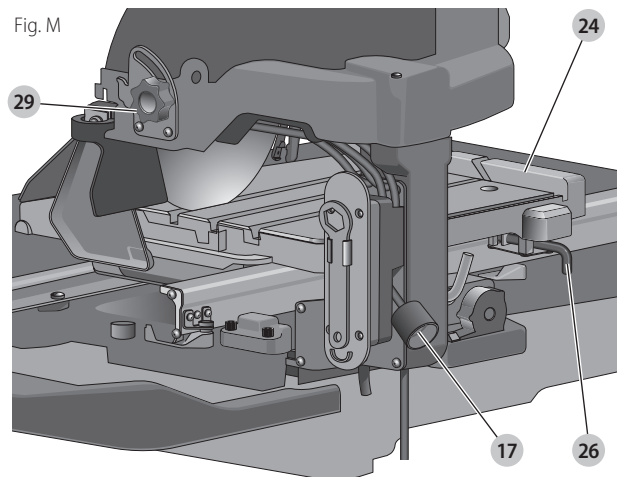
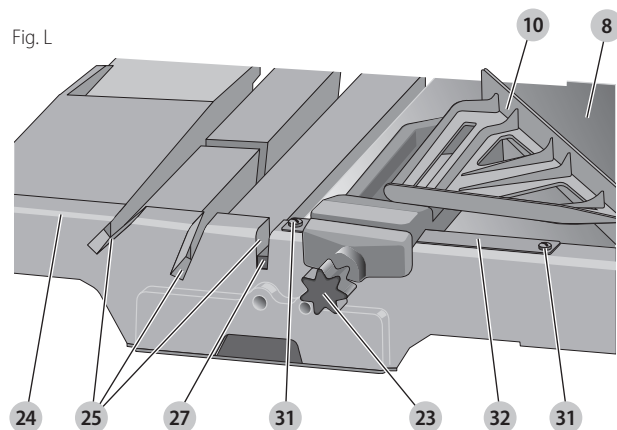
Un corte en L es una sección que se saca de una pieza de cerámica y se usa al cortar una pieza de cerámica que entrará en un rincón de un mueble o pieza de moldura de adorno.

1. Delinee el área a cortar a ambos lados de la pieza.
2. Alinee la cerámica contra el guía del carro de corte y haga el corte evitando cortar demasiado.
3. Haga un corte en la otra marca de la pieza, sin cortar demasiado.
4. Dé vuelta la pieza y haga el corte a lo largo de una de las líneas pero esta vez puede cortar más allá sin dañar la superficie expuesta de la pieza debido al radio del disco de corte. Haga lo mismo con la otra línea y la pieza cortada debería separarse del resto de la pieza.
5. Apague la sierra.

Cortes de Orificio

Los cortes de orificio se utilizan cuando se desea quitar una pieza en el medio de la pieza de cerámica para poner tomas de corriente o salidas de aire para ductos de ventilación.

1. Delinee el área a cortar a ambos lados de la pieza.



2. Afloje la perilla del seguro del cabezal **4** para soltarlo.
 3. Ajuste la perilla de profundidad de corte **28** en la parte posterior del protector del disco de corte para evitar que el disco de corte entre demasiado profundo y corte el carro de corte. Siempre haga un corte de práctica para acostumbrarse a la trayectoria del disco de corte. Practique con un pedazo de desecho de cerámica para asegurarse de sentirse cómodo cortando.
 4. Coloque la pieza en el carro de corte con el lado acabado hacia arriba.
 5. Alinee la marca con el disco de corte.
 6. Encienda la sierra. Con una mano en el mango de descenso **3** y la otra en la pieza, poniendo ambas manos a una distancia segura del disco de corte, baje el cabezal de la sierra lentamente sobre la pieza. Corte la pieza hasta el borde de la marca, sin cortar demasiado.
 7. Repita el proceso en cada línea marcada, sin cortar demasiado.
 8. Voltee la pieza. Repita los pasos 2 y 3, cortando más allá de las líneas permitiendo que la pieza cortada se caiga.
- NOTA: Las esquinas deberán ser recortadas con tenazas para cerámica (no vienen incluidas con la sierra).
9. Apague la sierra.

Cortes de Inglete: 22,5° y 45°

Los cortes de inglete se usan para cortar esquinas internas y externas de cerámica, molduras decorativas de riel y de base. El cabezal de corte de la sierra puede ajustarse en tres posiciones: 0°, 22,5° ó 45°. Las tres hendiduras **25** en el carro de corte permiten que el cabezal de corte se fije en tres posiciones sin cortar la unidad del carro de corte **8**.

1. Afloje la perilla de bloqueo del bisel **29** en la parte posterior de la sierra y ajuste el cabezal de la sierra al grado de inglete correcto. El indicador de bisel **30** de la parte delantera de la sierra indicará el ángulo del ajuste.
2. Siempre haga un corte de práctica y empuje el carro de corte más allá del disco de corte antes de encender la sierra. Asegúrese que el disco de corte esté ajustado al centro de la hendidura.
3. Marque la pieza y colóquela contra el guía del carro de corte y el guía de bordes. Realice el corte.
4. Apague la sierra.

Traslado de la Sierra

⚠ ATENCIÓN: No intente trasladar la sierra si está llena de agua. Esto podría resultar en lesiones corporales. Antes de mover la sierra, asegúrese de drenar el depósito de agua poniendo un balde de aproximadamente 18,9 litros (5 galones) debajo del tapón de la sierra. Retire el tapón y deje que el agua se vacíe en el balde.

Ajustes (Fig. N–Q)

⚠ ATENCIÓN: Apague y desenchufe la herramienta antes de hacer cualquier ajuste o de quitar o instalar accesorios. Asegúrese que el conmutador esté en posición OFF (apagada).

Disco de Corte Perpendicular al Carro

1. Coloque una escuadra perpendicular al carro de corte.
2. Si el espacio no es consistente, afloje la perilla de bloqueo de bisel **29** y ajuste el tornillo de ajuste de bisel de 0° **33** con la llave incluida hasta que el disco de corte esté a 90° de la superficie del carro.
3. Empuje el carro más allá del disco de corte con la sierra apagada para asegurarse que el disco de corte no toque ninguno de los dos lados de la hendidura en el carro de corte.

Disco de Corte a 45° del Carro

1. Afloje la perilla de bloqueo del bisel y gire el cabezal de corte a 45°.
2. Coloque un guía de 45° en la superficie del carro de corte a un lado del disco de corte. Si no está a 45°, ajuste el tornillo de ajuste del bisel de 45° **33** con la llave incluida hasta que el disco de corte esté a 45° de la superficie del carro.
3. Empuje el carro más allá del disco de corte con la sierra apagada para asegurarse que el disco de corte no toque ninguno de los dos lados de la hendidura en el carro de corte.

Corte Paralelo al Carro de Corte

1. Ponga una escuadra sobre la superficie del carro de corte con un extremo contra el guía del carro **24**.
2. Si el disco de corte no está a 90° del guía del carro, el riel deberá ser ajustado.
3. Afloje los cuatro tornillos de montaje de la unidad del riel **34**.
4. Mueva el riel ligeramente hasta que la rueda de corte quede cuadrada a la guía del carro.
5. Ajuste los cuatro tornillos del riel.

Resistencia de Rodaje del Carro (Ajuste Del Riel)

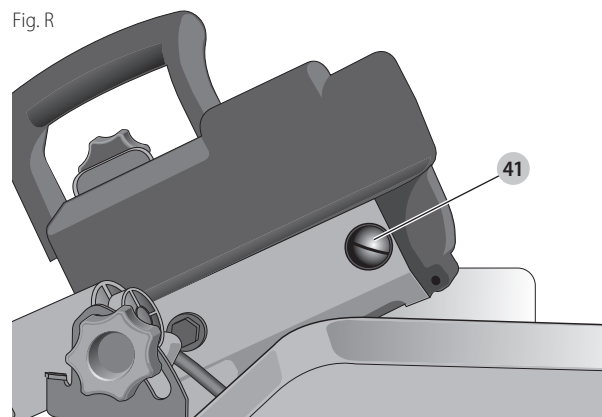
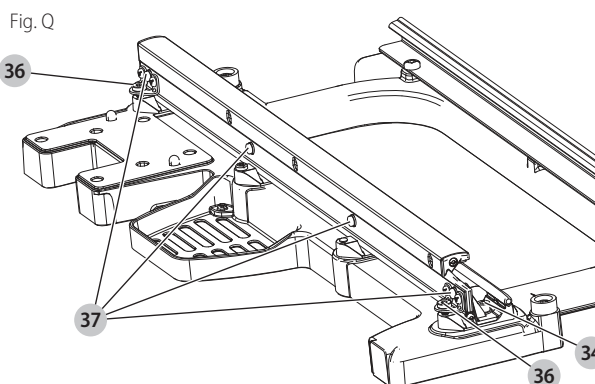
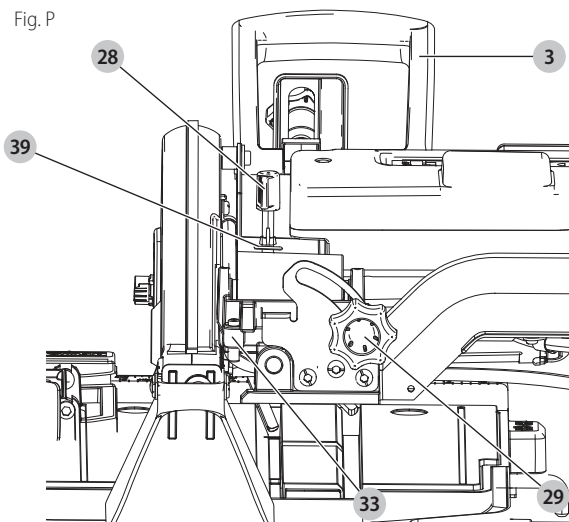
1. Afloje los cuatro tornillos de ajuste de la altura del riel **37**.
2. Ajuste los dos dispositivos de ajuste de altura del riel **36** hasta que el carro se desplace sin problemas.
3. Ajuste los cuatro tornillos.

Indicador de Bisel (Fig. N)

Afloje el tornillo del indicador de bisel de 0° **38** y gire el indicador de bisel **30** a la ubicación correcta.

Profundidad de Corte

1. Afloje la perilla de fijación del cabezal **4**.
2. Ajuste la perilla de profundidad de corte **28** hasta que el disco de corte esté a un mínimo de 5 mm (3/16") debajo de la superficie del carro.
3. Empuje el carro más allá del disco de corte con la sierra apagada y asegúrese que el disco de corte no toque el carro.



4. Ajuste la perilla de profundidad de corte y ajuste la tuerca mariposa de fijación **39**, y luego la perilla de fijación del cabezal **4**.

Indicador de Corte

El indicador de corte **27** ayuda a alinear los cortes largos y diagonales al mostrar el punto de salida de la hoja en el corte. El indicador de corte puede ser utilizado varias veces antes de necesitar ajustes.

1. Afloje el tornillo de fijación **40**.
2. Gire el indicador de corte para exponer la superficie no cortada.
3. Ajuste el tornillo de fijación.

MANTENIMIENTO

Escobillas (Fig. R)

⚠ ATENCIÓN: Apague y desenchufe la herramienta antes de hacer cualquier ajuste o de quitar o instalar accesorios. Asegúrese que el conmutador esté en posición OFF (apagada).

Desenchufe la herramienta, retire la tapa de las escobillas **41** y extraiga la unidad de escobillas para revisar las escobillas de carbón en forma regular. Mantenga las escobillas limpias y pudiendo desplazarse libremente en sus guías. Siempre inserte una escobilla de repuesto en la misma dirección dentro del sujetador como la escobilla anterior. Las escobillas de carbón tienen diversos símbolos estampados en sus lados, y si la escobilla ha sido gastada hasta la línea más cercana al resorte, las escobillas deben ser cambiadas. Use sólo escobillas DeWALT originales. Es esencial utilizar el calibre correcto de escobilla para que la unidad funcione debidamente. Las unidades de escobillas nuevas se encuentran disponibles en los centros de servicio DeWALT. La herramienta debe ser operada sin carga por 10 minutos antes de usarse para que las escobillas nuevas se asienten bien.

Transporte y almacenamiento (Fig. S)

El accesorio posterior para el agua **7**, el accesorio para el agua del carro de corte **9** y el depósito de agua **11** pueden juntarse para facilitar su transporte (Fig. S).

Limpieza

1. Inserte la bomba de agua en un balde de agua limpia y bombee el agua por el sistema de manguera.
2. Apague y desenchufe la sierra.
3. Coloque un balde de aproximadamente 18,9 litros (5 galones) debajo del tapón. Retire el tapón y deje que el agua se vacíe en el balde.
4. Deslice el carro de corte y retírelo del sistema de rieles. Rocíe el carro de corte con una manguera o límpielo con una esponja o trapo.
5. Limpie los rieles, la caja protectora del motor y el brazo de soporte con una esponja o trapo. No se necesita usar lubricantes en spray en el riel de guía o los discos.
6. Limpie el depósito de agua con una manguera o esponja. Use sólo un jabón suave y paño húmedo para limpiar la herramienta. Muchos limpiadores domésticos contienen químicos que podrían dañar seriamente el plástico. Tampoco utilice gasolina, trementina, laca o diluyente de pintura, líquidos para lavado en seco o productos similares. Trate de no dejar que le entre agua a la herramienta; nunca sumerja ninguna parte de la herramienta.

Lubricación

! **ADVERTENCIA:** NUNCA rocíe o aplique en ninguna otra forma lubricantes o solventes de limpieza dentro de la herramienta. Esto puede afectar seriamente la duración y el desempeño de la herramienta y resultar en lesiones corporales.

Las herramientas DeWALT vienen debidamente lubricadas de la fábrica y están listas para usarse. Sin embargo, se recomienda que una vez al año un lleve o envíe la herramienta a un centro de servicio certificado para una inspección y limpieza a fondo.

Accesorios

! **ADVERTENCIA:** Debido a que no se han probado con este producto otros accesorios que no sean los que ofrece DeWALT, el uso de dichos accesorios con esta herramienta podría ser peligroso. Para reducir el riesgo de lesiones, con este producto deben usarse sólo los accesorios recomendados por DeWALT.

Los accesorios que se recomiendan para utilizar con la herramienta están disponibles a un costo adicional en su distribuidor local o en un centro de mantenimiento autorizado. Si necesita ayuda para localizar algún accesorio, póngase en contacto con DeWALT Industrial Tool Co., 701 East Joppa Road, Towson, MD 21286, llame al 1-800-4-DeWALT (1-800-433-9258) o visite nuestro sitio web: www.dewalt.com.

Pie D24001 (Fig. T)

Discos de corte

178 mm (7")	Cerámica	DW4760
254 mm (10")	Cerámica	DW4761
254 mm (10")	Porcelana	DW4762

Reparaciones

! **ADVERTENCIA:** Para asegurar la SEGURIDAD y la CONFIABILIDAD del producto, las reparaciones, el mantenimiento y los ajustes (inclusive la inspección y el cambio de las escobillas, cuando proceda) deben ser realizados en un centro de mantenimiento en la fábrica DeWALT u en un centro de mantenimiento autorizado DeWALT. Utilice siempre piezas de repuesto idénticas.

Para reparación y servicio de sus herramientas eléctricas, favor de dirigirse al
Centro de Servicio más cercano

CULIACAN, SIN

Blvd. Emiliano Zapata 5400-1 Poniente Col. San Rafael (667) 717 89 99

GUADALAJARA, JAL

Av. La Paz #1779 - Col. Americana Sector Juárez (33) 3825 6978

MEXICO, D.F.

Eje Central Lázaro Cárdenas No. 18 - Local D, Col. Obrera (55) 5588 9377

MERIDA, YUC

Calle 63 #459-A - Col. Centro (999) 928 5038

MONTERREY, N.L.

Av. Francisco I. Madero 831 Poniente - Col. Centro (818) 375 23 13

PUEBLA, PUE

17 Norte #205 - Col. Centro (222) 246 3714

QUERETARO, QRO

Fig. S

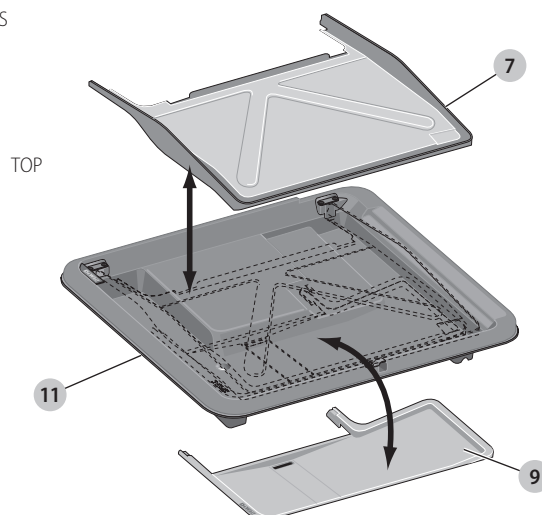
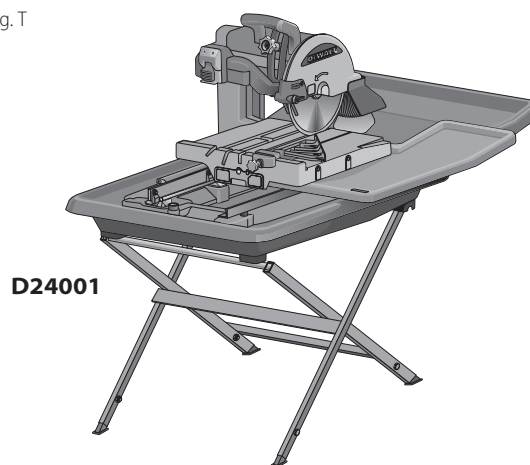


Fig. T



Si se encuentra en México, por favor llame al
(55) 5326 7100

Si se encuentra en U.S., por favor llame al
1-800-433-9258 (1-800 4-DeWALT)

Póliza de Garantía

IDENTIFICACIÓN DEL PRODUCTO:

Sello o firma del Distribuidor.

Nombre del producto: _____

Mod./Cat.: _____

Marca: _____

Núm. de serie: _____

(Datos para ser llenados por el distribuidor)

Fecha de compra y/o entrega del producto:

Nombre y domicilio del distribuidor donde se adquirió el producto:

Este producto está garantizado por un año a partir de la fecha de entrega, contra cualquier defecto en su funcionamiento, así como en materiales y mano de obra empleados para su fabricación. Nuestra garantía incluye la reparación o reposición del producto y/o componentes sin cargo alguno para el cliente, incluyendo mano de obra, así como los gastos de transportación razonablemente erogados derivados del cumplimiento de este certificado.

Para hacer efectiva esta garantía deberá presentar su herramienta y esta póliza sellada por el establecimiento comercial donde se adquirió el producto, de no contar con ésta, bastará la factura de compra.

Excepciones

Esta garantía no será válida en los siguientes casos:

- Cuando el producto se hubiese utilizado en condiciones distintas a las normales;
- Cuando el producto no hubiese sido operado de acuerdo con el instructivo de uso que se acompaña;
- Cuando el producto hubiese sido alterado o reparado por personas distintas a las enlistadas al final de este certificado.

Anexo encontrará una relación de sucursales de servicio de fábrica, centros de servicio autorizados y franquiciados en la República Mexicana, donde podrá hacer efectiva su garantía y adquirir partes, refacciones y accesorios originales.

Registro en línea

Gracias por su compra. Registre su producto ahora para:

- **SERVICIO EN GARANTÍA:** Si completa esta tarjeta, podrá obtener un servicio en garantía más eficiente, en caso de que exista un problema con su producto.
- **CONFIRMACIÓN DE PROPIEDAD:** En caso de una pérdida que cubra el seguro, como un incendio, una inundación o un robo, el registro de propiedad servirá como comprobante de compra.
- **PARA SU SEGURIDAD:** Si registra el producto, podremos comunicarnos con usted en el caso improbable que se deba enviar una notificación de seguridad conforme a la Federal Consumer Safety Act (Ley Federal de Seguridad de Productos para el Consumidor).

Registro en línea en www.dewalt.com/register.

Av. San Roque 274 - Col. San Gregorio (442) 2 17 63 14

SAN LUIS POTOSI, SLP

Av. Universidad 1525 - Col. San Luis (444) 814 2383

TORREON, COAH

Blvd. Independencia, 96 Pte. - Col. Centro (871) 716 5265

VERACRUZ, VER

Prolongación Díaz Mirón #4280 - Col. Remes (229) 921 7016

VILLAHERMOSA, TAB

Constitución 516-A - Col. Centro (993) 312 5111

PARA OTRAS LOCALIDADES:

Garantía limitada por tres años

DeWALT reparará, sin cargo, cualquier falla que surja de defectos en el material o la fabricación del producto, por hasta tres años a contar de la fecha de compra. Esta garantía no cubre fallas de las piezas causadas por su desgaste normal o abuso a la herramienta. Para mayores detalles sobre la cobertura de la garantía e información acerca de reparaciones realizadas bajo garantía, visítenos en

www.dewalt.com o diríjase al centro de servicio más cercano. Esta garantía no aplica a accesorios o a daños causados por reparaciones realizadas o intentadas por terceros. ESTA GARANTÍA LIMITADA SE OTORGA EN VEZ DE TODAS LAS DEMÁS, INCLUIDA LA GARANTÍA IMPLÍCITA DE COMERCIABILIDAD Y APTITUD PARA UN FIN PARTICULAR, Y EXCLUYE TODOS LOS DAÑOS INCIDENTALES O CONSECUENTES. Algunos estados no permiten limitaciones sobre la duración de una garantía implícita, o la exclusión o limitación de daños incidentales o consecuentes, así que estas limitaciones pueden no aplicarse a usted. Esta garantía le otorga derechos legales específicos, además de los cuales usted puede tener otros derechos dependiendo del estado o la provincia en que se encuentre.

Además de la garantía, las herramientas DeWALT están cubiertas por:

1 AÑO DE SERVICIO GRATUITO

DeWALT mantendrá la herramienta y reemplazará las piezas gastadas por su uso normal, sin cobro, en cualquier momento durante un año a contar de la fecha de compra.

GARANTÍA DE REEMBOLSO DE SU DINERO POR 90 DÍAS

Si no está completamente satisfecho con el desempeño de su máquina herramienta, láser o clavadora DeWALT, cualquiera sea el motivo, podrá devolverlo hasta 90 días de la fecha de compra con su recibo y obtener el reembolso completo de su dinero – sin necesidad de responder a ninguna pregunta.

AMÉRICA LATINA: Esta garantía no se aplica a los productos que se venden en América Latina. Para los productos que se venden en América Latina, debe consultar la información de la garantía específica del país que viene en el empaque, llamar a la compañía local o visitar el sitio Web a fin de obtener esa información.

REEMPLAZO GRATUITO DE LAS ETIQUETAS DE ADVERTENCIAS: Si sus etiquetas de advertencia se vuelven ilegibles o faltan, llame al 1-800-433-9258 (1-800-4-DeWALT) para que se le reemplacen gratuitamente.

Información Técnica

D24000

Tensión de alimentación:	120 V AC
Consumo de corriente:	15 A
Frecuencia de alimentación:	60 Hz
Rotación sin carga:	4 200/min

Solamente para propósito de México:

Importado por: DeWALT Industrial Tool Co. S.A. de C.V.

Avenida Antonio Dovali Jaime, # 70 Torre B Piso 9

Colonia La Fe, Santa Fé

Código Postal : 01210

Delegación Alvaro Obregón

México D.F.

Tel. (52) 555-326-7100

R.F.C.: BDE810626-1W7

Guía de resolución de problemas

ASEGÚRESE DE SEGUIR LAS REGLAS E INSTRUCCIONES DE SEGURIDAD

MUCHOS PROBLEMAS HABITUALES SE PUEDEN SOLUCIONAR FÁCILMENTE MEDIANTE EL CUADRO SIGUIENTE.
PARA PROBLEMAS MÁS SERIOS O PERSISTENTES, CONTACTE AL CENTRO DE SERVICIO DeWALT
O LLAME AL 1-800-433-9258 (1-800-4-DeWALT).

¡Problema! La Sierra No Arranca

¿Qué Sucede?

1. La sierra no está enchufada
2. El GFCI se accionó
3. La sierra no funciona (enchufada y encendida)
4. Se saltó el fusible o se accionó el interruptor de circuito
5. El cable está dañado
6. Las escobillas están gastadas

¿Qué Hacer...?

1. Enchufe la sierra.
2. Apague el conmutador y presione el botón de reposicionamiento del GFCI.
3. Apague el conmutador y presione el botón de reposicionamiento del GFCI.
4. Apague el conmutador y cambie el fusible o reposicione el interruptor de circuito.
5. Mande a cambiar el cable a un centro de servicio autorizado.
6. Mande a cambiar las escobillas a un centro de servicio autorizado.

¡Problema! La Sierra No Corta En Forma Satisfactoria

¿Qué Sucede?

1. Disco de corte roto
2. La bomba de agua no bombea agua
3. El disco de corte fue montado al revés
4. El disco de corte tiene acumulación de material
5. El disco de corte no es el correcto para el trabajo realizado

¿Qué Hacer...?

1. Cambie el disco de corte. Ver página 30.
2. Retire la bomba de agua y rocíela con agua limpia para desalojar el impulsor.
3. Voltee el disco de corte. Ver página 30.
4. Use una piedra de amolar para limpiar cualquier acumulación.
5. Cambie el disco de corte. Ver página 30.

¡Problema! El Disco De Corte No Agarra Velocidad

¿Qué Sucede?

1. El alargador es de un calibre menor o demasiado largo
2. El mandril está suelto
3. El voltaje de la casa es demasiado bajo

¿Qué Hacer...?

1. Cámbielo por un cable de un tamaño adecuado. Ver página 26.
2. Ajuste el mandril
3. Contacte a su empresa hidroeléctrica.

¡Problema! La Máquina Vibra Demasiado

¿Qué Sucede?

1. La sierra no fue debidamente montada en el pie
2. El pie o la mesa de trabajo está puesto sobre un suelo disparejo
3. El disco de corte está dañado

¿Qué Hacer...?

1. Cambie la posición del depósito de agua sobre el pie.
2. Póngalo sobre una superficie pareja.
3. Cambie el disco de corte. Ver página 30.

¡Problema! No Realiza Cortes Precisos

¿Qué Sucede?

1. El guía de borde no está fijado debidamente al guía
2. El disco de corte no está perpendicular al guía
3. El disco de corte no está perpendicular a la superficie del carro
4. La pieza de trabajo se mueve

¿Qué Hacer...?

1. Revise y ajústelo. Ver página 30.
2. Revise y ajústelo. Ver página 33.
3. Revise y ajuste el guía. Ver página 33.
4. Use el guía de borde.

DeWALT Industrial Tool Co., 701 East Joppa Road, Towson, MD 21286 (11/18) Part No. N606611 D24000
Copyright © 2004, 2007, 2017, 2018 DeWALT

The following are trademarks for one or more DeWALT power tools: the yellow and black color scheme; the "D" shaped air intake grill; the array of pyramids on the handgrip; the kit box configuration; and the array of lozenge-shaped humps on the surface of the tool.