

Questions? See us on the World Wide Web at www.dewalt.com
¿Dudas? Visítenos en Internet: www.dewalt.com
Dúvidas? Visite-nos na Internet em www.dewalt.com.br

INSTRUCTION MANUAL
MANUAL DE INSTRUCCIONES
MANUAL DE INSTRUÇÕES

INSTRUCTIVO DE OPERACIÓN, CENTROS DE SERVICIO Y PÓLIZA DE GARANTÍA. **ADVERTENCIA:** LÉASE ESTE INSTRUCTIVO ANTES DE USAR EL PRODUCTO.

INSTRUÇÕES DE OPERAÇÃO, CENTRO DE SERVIÇOS E CERTIFICADO DE GARANTIA. **ADVERTÊNCIA:** LEIA ESTAS INSTRUÇÕES ANTES DE UTILIZAR O PRODUTO.

DEWALT®

D28710

14" (355 mm) Chop Saw

Cortadora/tronzadora de metales de 14" (355 mm)

Serra de corte rápido de 355 mm (14")



Definitions: Safety Guidelines

The definitions below describe the level of severity for each signal word. Please read the manual and pay attention to these symbols.

⚠ DANGER: Indicates an imminently hazardous situation which, if not avoided, **will** result in **death or serious injury**.

⚠ WARNING: Indicates a potentially hazardous situation which, if not avoided, **could** result in **death or serious injury**.

⚠ CAUTION: Indicates a potentially hazardous situation which, if not avoided, **may** result in **minor or moderate injury**.

NOTICE: Indicates a practice **not related to personal injury** which, if not avoided, **may** result in **property damage**.

Important Safety Instructions



WARNING: Read all instructions before operating product. Failure to follow all instructions listed below may result in electric shock, fire and/or serious injury.

SAVE THESE INSTRUCTIONS

Double Insulation

Double insulated tools are constructed throughout with two separate layers of electrical insulation or one single layer of reinforced insulation between you and the tool's electrical system. Tools built with this insulation system are not intended to be grounded. As a result, your tool is equipped with a two prong plug which permits you to use extension cords without concern for maintaining a ground connection.

NOTE: Double insulation does not take the place of normal safety precautions when operating this tool. The secondary insulation system is for protection against injury resulting from a possible failure of the primary insulation within the tool.

⚠ CAUTION: WHEN SERVICING USE ONLY IDENTICAL REPLACEMENT PARTS. Repair or replace damaged cords.

Polarized Plugs

Polarized plugs (one blade is wider than the other) are used on equipment to reduce the risk of electric shock. When provided, this plug will fit in the polarized outlet only one way. If the plug does not fit fully in the outlet, reverse the plug. If it still does not fit, contact a qualified electrician to install the proper outlet. Do not change the plug in any way.

- **KEEP GUARDS IN PLACE** and in working order.
- **REMOVE ADJUSTING KEYS AND WRENCHES.** Form habit of checking to see that keys and adjusting wrenches are removed from tool before turning it on.
- **KEEP WORK AREA CLEAN.** Cluttered areas and benches invite injuries.
- **DON'T USE IN DANGEROUS ENVIRONMENT.** Don't use power tools in damp or wet locations, or expose them to rain. Keep work area well lighted.
- **KEEP CHILDREN AWAY.** All visitors should be kept at a safe distance from work area.
- **MAKE WORKSHOP KID PROOF** with padlocks, master switches, or by removing starter keys.
- **DON'T FORCE TOOL.** It will do the job better and safer at the rate for which it was designed.
- **USE RIGHT TOOL.** Don't force tool or attachment to do a job for which it was not designed.
- **USE PROPER EXTENSION CORD.** Make sure your extension cord is in good condition. When using an extension cord, be sure to use one heavy enough to carry the current your product will draw. An undersized cord will cause a drop in line voltage resulting in loss of power and overheating. The following table shows the correct size to use depending on cord length and nameplate

ampere rating. If in doubt, use the next heavier gauge. The smaller the gauge number, the heavier the cord.

Voltage (Volts)	Total length of cord in meters (m)			
	120–127V	0–7	7–15	15–30
220–240V	0–15	15–30	30–60	60–100
Rated ampere range	Minimal cross-sectional area of the cord (mm ²)			
0–6A	1.0	1.5	1.5	2.5
6–10A	1.0	1.5	2.5	4.0
10–12A	1.5	1.5	2.5	4.0
12–16A	2.5	4.0	Not Recommended	

- **WEAR PROPER APPAREL.** Do not wear loose clothing, neckties, rings, bracelets, or other jewelry which may get caught in moving parts. Nonslip footwear is recommended. Wear protective hair covering to contain long hair. Air vents often cover moving parts and should also be avoided.
- **ALWAYS USE SAFETY GLASSES** which meet the ANSI Z87.1 requirements. Also use face or dust mask if cutting operation is dusty. Everyday eyeglasses only have impact resistant lenses, they are not safety glasses.
- **SECURE WORK.** Use clamps or a vise to hold work. It's safer than using your hand and it frees both hands to operate tool.
- **DON'T OVERREACH.** Keep proper footing and balance at all times.
- **MAINTAIN TOOLS WITH CARE.** Keep tools sharp and clean for best and safest performance. Follow instructions for lubricating and changing accessories.
- **DISCONNECT TOOLS** before servicing; when changing accessories, such as blades, bits, cutters, and the like.
- **REDUCE THE RISK OF UNINTENTIONAL STARTING.** Make sure switch is in off position before plugging in.

- **USE RECOMMENDED ACCESSORIES.** Consult the instruction manual for recommended accessories. The use of improper accessories may cause risk of injury to persons.
- **NEVER STAND ON TOOL.** Serious injury could occur if the tool is tipped or if the cutting tool is unintentionally contacted.
- **CHECK DAMAGED PARTS.** Before further use of the tool, a guard or other part that is damaged should be carefully checked to determine that it will operate properly and perform its intended function — check for alignment of moving parts, binding of moving parts, breakage of parts, mounting, and any other conditions that may affect its operation. A guard or other part that is damaged should be properly repaired or replaced.
- **NEVER LEAVE TOOL RUNNING UNATTENDED. TURN POWER OFF.** Don't leave tool until it comes to a complete stop.

Additional Safety Rules for Chop Saw

- **Always wear proper eye and respiratory protection.**
- **Before using, inspect the cutting wheel for cracks or flaws. If such a crack or flaw is evident, discard the wheel. The wheel should also be inspected whenever you think the tool may have been dropped.** Flaws may cause wheel breakage.
- **When starting the tool with a new or replacement wheel or if you are unsure of the condition of the wheel, hold the tool in a well protected area and let it run for one minute. If the wheel has an undetected crack or flaw, it should burst in less than one minute.** Never start the tool with a person in line with the wheel. This includes the operator.
- **In operation, avoid bouncing the wheel or giving it rough treatment.** If this occurs, stop the tool and inspect the wheel for cracks or flaws.
- Clean your chop saw periodically following the procedure in this manual.
- Do not remove wheel guards or base.
- **ALWAYS USE THE VISE OR SPECIAL FIXTURE TO CLAMP WORK SECURELY.** Other aids such as spring, bar, or C-clamps

may be appropriate for certain sizes and shapes of workpiece. Use care in selecting and placing these clamps and make a dry run before making a cut.

- Use only 14" type 1 wheels rated at 4100 rpm or higher.
- Allow cut off parts to cool before handling.
- Do not attempt to cut wood or plastic with this tool.
- **NEVER CUT MAGNESIUM WITH THIS TOOL.**
- Use chop saw in a well-ventilated area.
- Turn chop saw off before removing any pieces from the base.
- **DO NOT CUT ELECTRICALLY LIVE MATERIAL.**
- **DO NOT USE CIRCULAR SAW BLADES OR ANY OTHER TOOTHED BLADES WITH THIS TOOL.** Serious injury may result.
- **DO NOT OPERATE THIS TOOL NEAR FLAMMABLE LIQUIDS, GASES OR DUST.** Sparks or hot chips from cutting or arcing motor brushes may ignite combustible materials.
- Do not use the side of the abrasive wheel as a deburring grinder. This will substantially weaken the wheel creating an unsafe condition. The wheel may come apart.

⚠ CAUTION: Wear appropriate hearing protection during use. Under some conditions and duration of use, noise from this product may contribute to hearing loss.

⚠ CAUTION: Spark deflector will get hot. Avoid touching or adjusting while hot. Keep cordset and materials away from spark deflector.

⚠ WARNING: Some dust created by power sanding, sawing, grinding, drilling, and other construction activities contains chemicals known to cause cancer, birth defects, or other reproductive harm. Some examples of these chemicals are:

- lead from lead-based paints,
- crystalline silica from bricks and cement and other masonry products, and
- arsenic and chromium from chemically-treated lumber (CCA).

Your risk from these exposures varies, depending on how often you do this type of work. To reduce your exposure to these chemicals: work in a well ventilated area, and work with approved safety equipment, such as those dust masks that are specially designed to filter out microscopic particles.

- **Avoid prolonged contact with dust from power sanding, sawing, grinding, drilling, and other construction activities. Wear protective clothing and wash exposed areas with soap and water.** Allowing dust to get into your mouth, eyes, or lay on the skin may promote absorption of harmful chemicals.

⚠ WARNING: Always use NIOSH/OSHA approved respiratory protection appropriate for the dust exposure. Direct particles away from face and body.

For your convenience and safety, the following warnings are on your Heavy-Duty 14" (355 mm) Chop Saw:

⚠ FOR SAFE OPERATION READ THE INSTRUCTION MANUAL.

DO NOT USE TOOTHED BLADES.

USE ONLY REINFORCED WHEELS RATED 4100 RPM OR HIGHER.

WHEN SERVICING USE ONLY IDENTICAL REPLACEMENT PARTS.

ALWAYS: WEAR EYE PROTECTION, USE GUARDS, CLAMP WORK IN VISE, USE PROPER RESPIRATORY PROTECTION.

DO NOT EXPOSE TO RAIN OR USE IN DAMP LOCATIONS.

FEATURES (FIG. 1, 4)

- A. Chain lock
- B. Spark deflector screw
- C. Spark deflector
- D. Base
- E. Fence
- F. Vise
- G. 8 mm hex wrench
- H. Crank
- I. Vise lever
- J. Wheel
- K. Guard
- L. Wheel lock lever
- M. Depth stop bolt
- N. Trigger switch
- O. Padlock hole
- P. Jam nut
- Q. Fence bolts

Power Supply

Be sure your power supply agrees with the nameplate marking. A voltage decrease of more than 10% will cause a loss of power and overheating.

Cutting Capacity

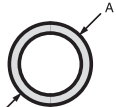
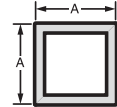
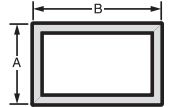

The wide vise opening and high pivot point provide cutting capacity for many large pieces. Use the cutting capacity chart to determine total maximum size of cuts that can be made with a new wheel.

⚠ CAUTION: CERTAIN LARGE, CIRCULAR OR IRREGULARLY SHAPED OBJECTS MAY REQUIRE ADDITIONAL HOLDING MEANS IF THEY CANNOT BE HELD SECURELY IN VISE.

⚠ CAUTION: DO NOT CUT MAGNESIUM WITH THIS TOOL.

MAXIMUM CUTTING CAPACITY

NOTE: Capacity shown on chart assumes no wheel wear and optimum fence position.

Workpiece Shape:				
			A x B	
90° Cutting Angle	A = 5" (130 mm)	A = 4.75" (120 mm)	4.5" x 5" (115 mm x 130 mm) 4" x 7-5/8" (102 mm x 194 mm) 3" x 9" (76 mm x 229 mm)	A = 5-3/8" (137 mm)
45° Cutting Angle	A = 4.5" (115 mm)	A = 4.25" (107 mm)	4.5" x 4.25" (115 mm x 107 mm)	A = 4.5" (115 mm)

Standard Equipment

- 1 14" (355 mm) metal cutting abrasive wheel
- 1 Wheel wrench
- 1 Instruction manual

To Carry (Fig. 1)

Fold down unit to position where you can carry the saw. Use the chain lock (A) to lock arm down.

Unlocking (Fig. 1)

To unlock tool and raise head, depress motor arm slightly and unlock the chain lock (A). Motor arm will then pivot upward.

Material Clamping and Supporting

- Angles are best clamped and cut with both legs resting against base.
- A spacer block slightly narrower than the workpiece can be used to increase wheel utilization (Fig. 2).
- Long workpieces must be supported by a block so it will be level with top of base (Fig. 3). The cut-off end should be free to fall downward to avoid wheel binding.

FIG. 2

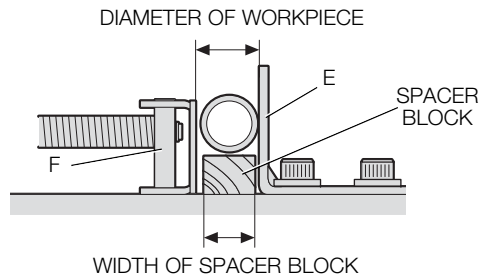
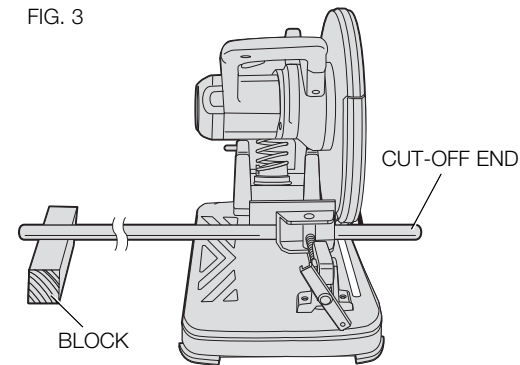


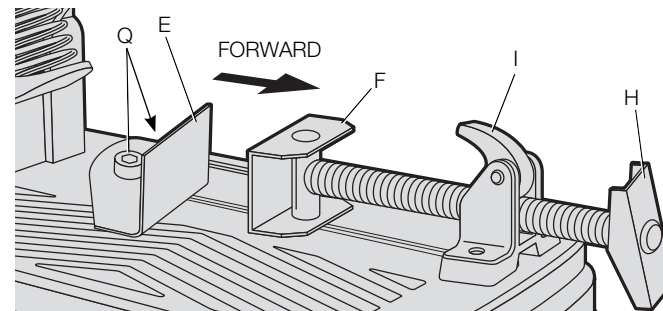
FIG. 3



Spark Deflector Adjustment (Fig. 1)

To best deflect sparks away from surrounding persons and materials, loosen the screw (B), adjust the spark deflector (C) and then retighten screw. Do not allow cordset to come into contact with deflector or sparks as damage to cordset may occur.

FIG. 4



Vise Operation (Fig. 4)

The vise (F) has a quick-travel feature. To release the vise when it is clamped tightly, turn the crank (H) counterclockwise one or two times to remove clamping pressure. Lift vise lever (I) up. Pull crank assembly out as far as desired. Vise may be pushed forward into work without cranking. Lower vise lever (I) then tighten vise (F) on work by using crank (H).

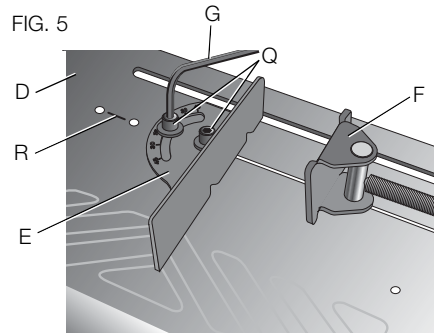
Fence Operation

⚠WARNING: Turn off and unplug the tool before making any adjustments or removing or installing attachments or accessories. Be sure the trigger switch is in the OFF position.

The fence (E) can be adjusted two ways: to change desired cutting angle and to change spacing between the fence and vise.

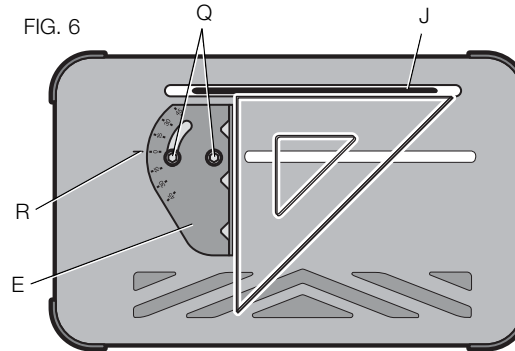
TO CHANGE THE DESIRED CUTTING ANGLE (FIG. 5, 6)

Use the wrench provided to loosen (**do not remove**) the two fence bolts (Q). Align the desired angle indicator line with the slot line (R) in the base (D). Securely tighten both fence bolts before use.



For more accurate square cuts, disconnect the power supply, loosen the two fence bolts, push arm down until wheel extends into base.

Place a square against the wheel and adjust fence against the square. Securely tighten both fence bolts before use.



When making a miter cut, the vise (F) may not clamp securely, depending on the thickness of the workpiece and the miter angle. Other aids (such as spring, bar or C-clamps) will be necessary to secure the workpiece to the fence when making these cuts.

TO CHANGE SPACING BETWEEN THE FENCE AND VISE

Using the wrench provided, loosen and remove the two fence bolts (Q). Adjust the fence (E) to desired locations. Insert both fence bolts in provided locations. Securely tighten both fence bolts before use.

Depth Stop (Fig. 1)

Depth stop is set at the factory for a new 14" (355 mm) wheel to prevent wheel from cutting into the supporting surface. To allow more depth of cut, use the 8 mm hex wrench (G) provided to loosen the depth stop bolt (M) and raise bolt to desired height and then turn jam nut (P) clockwise until seated firmly on the casting. Securely tighten the depth stop bolt before use.

⚠CAUTION: When changing to a new wheel, readjust depth stop to original position to prevent cutting into supporting surface.

Trigger Switch (Fig. 1)

To start the tool, depress the trigger switch (N). To turn the tool off, release the trigger switch. Keep hands and material from wheel until it has coasted to a stop.

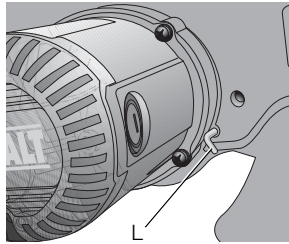
To prevent unauthorized use of tool, install a standard padlock (not included) into the padlock hole (O) located in the trigger.

Removal and Installation of Wheels (Fig. 1, 7, 8)

⚠CAUTION: Turn off and unplug the tool before making any adjustments or removing or installing attachments or accessories. Be sure the trigger switch is in the OFF position. Do not make any adjustment while the wheel is in motion. Do not make any adjustment while chop saw is plugged into power supply.

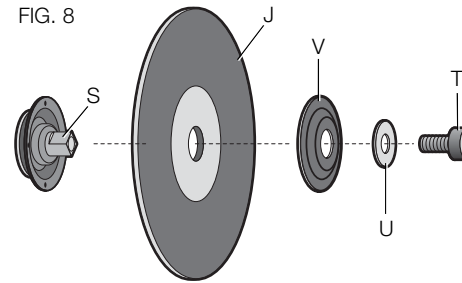
1. Push in wheel lock lever (L) and rotate wheel (J) by hand until wheel lock lever engages slot in inside flange (S) to lock wheel. Loosen the bolt (T) counterclockwise in the center of the abrasive wheel with the 8 mm hex wrench (G). Bolt has right-hand thread.

FIG. 7



2. Remove the bolt (T), washer (U), outside flange (V) and old wheel (J).

FIG. 8



3. Make sure flange surfaces are clean and flat. Install the new abrasive wheel by reversing the above steps.
4. Do not overtighten bolt.

⚠WARNING: Check the work surface that the chop saw rests on when replacing with a new abrasive wheel. It is possible that the wheel may contact ANY ITEMS OR STRUCTURE THAT EXTENDS ABOVE work surface (under the base) when the arm is fully lowered.

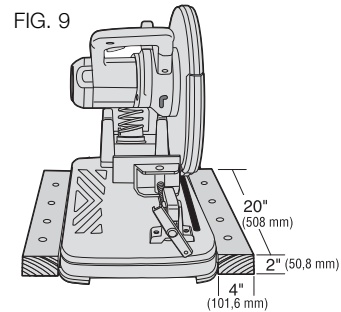
Mounting

⚠CAUTION: Tool must be supported on stable, level, non-skid surface to prevent unexpected movement when operating.

CRADLE MOUNTING (FIG. 9)

1. Cut two boards approximately 20" long x 2" high x 4" wide (508 x 50.8 x 101.6 mm).
2. Place the chop saw at desired work location.
3. Place boards tightly alongside and nail to work surface.

FIG. 9



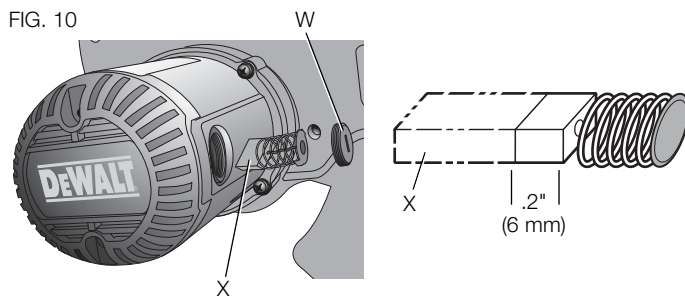
Operation Tips for More Accurate Cuts

- Allow the wheel to do the cutting. Excessive force will cause the wheel to glaze reducing cutting efficiency and/or to deflect causing inaccurate cuts.
- Properly adjust fence angle.
- Make sure material is laying flat across base.
- Properly clamp material to avoid movement and vibration.

MAINTENANCE

Motor Brush Inspection and Replacement (Fig. 10)

▲WARNING: Turn off and unplug the tool. Be sure the trigger switch is in the OFF position.



Brushes should be regularly inspected for wear. To inspect brushes, remove brush cap (W). Brushes (X) should slide freely in brush box. If brushes are worn down to .2" (6 mm) as shown in Figure 10 they should be replaced. To reinstall, push new brush back into brush box. If replacing existing brush, maintain same orientation as when removed. Replace the brush cap (**do not overtighten**).

Cleaning

Blowing dust and grit out of the main housing by means of an air hose is recommended and may be done as often as dirt is seen collecting in and around the air vents. Always wear proper eye and respiratory protection.

Repairs

To assure product SAFETY and RELIABILITY, repairs, maintenance and adjustment should be performed by authorized service centers or other qualified service organizations, always using identical replacement parts.

Lubrication

Closed-type, grease-sealed ball bearings are used throughout. These bearings have sufficient lubrication packed in them at the factory to last the life of the chop saw.

Accessories

▲CAUTION: The use of any other accessory not recommended for use with this tool could be hazardous.

Use only high-strength Type 1 organic bonded wheels rated 4100 rpm or higher.

Recommended accessories for use with your tool are available at extra cost from your local dealer or authorized service center.

SPECIFICATIONS

D28710-B3

Voltage:	120 V ~
Frequency:	50–60 Hz
Rating:	2 200 W
No-load speed:	3 800/min

Troubleshooting Guide

<i>TROUBLE!</i> <i>TOOL WILL NOT START</i>	
WHAT'S WRONG? 1. Tool not plugged in. 2. Fuse blown or circuit breaker tripped. 3. Cord damaged. 4. Brushes worn out.	WHAT TO DO... 1. Plug in saw. 2. Replace fuse or reset circuit breaker. 3. Have cord replaced by authorized service center. 4. Replace brushes.
<i>TROUBLE!</i> <i>TOOL MAKES UNSATISFACTORY CUTS</i>	
WHAT'S WRONG? 1. Glazed wheel. 2. Workpiece incorrectly placed or clamped.	WHAT TO DO... 1. Dress the wheel or replace with a new one. 2. Firmly clamp and support workpiece.
<i>TROUBLE!</i> <i>BLADE DOES NOT COME UP TO SPEED</i>	
WHAT'S WRONG? 1. Extension cord too light or too long. 2. Low voltage. 3. Low generator voltage.	WHAT TO DO... 1. Replace with adequate size cord. See chart on page 2. 2. Contact your electric company. 3. Check generator output voltage. Reduce number of tools powered by the generator.
<i>TROUBLE!</i> <i>TOOL VIBRATES EXCESSIVELY DURING CUT</i>	
WHAT'S WRONG? 1. Tool not mounted securely to stand or work bench. 2. Damaged wheel. 3. Workpiece not clamped properly.	WHAT TO DO... 1. Tighten all mounting hardware. 2. Replace wheel. 3. Refer to <i>Material Clamping and Supporting</i> , page 6.

Troubleshooting Guide...**TROUBLE!** DOES NOT MAKE ACCURATE CUTS**WHAT'S WRONG?**

1. Fence not adjusted correctly.
2. Wheel is not square to fence.
3. Excessive force used to make cut.
4. Workpiece moving.

WHAT TO DO...

1. Check and adjust. See **Fence Operation** on page 7.
2. Check and adjust.
3. Reduce cutting force; let the wheel do the work.
4. Clamp workpiece securely. See **Material Clamping and Supporting**, page 6. Make sure material is laying flat against the base.

TROUBLE! CANNOT MOVE ARM**WHAT'S WRONG?**

1. Chain lock is engaged.

WHAT TO DO...

1. Push down slightly on the arm, unlock the chain lock and raise arm.

TROUBLE! MATERIAL MOVES DURING CUT**WHAT'S WRONG?**

1. Fence slipping or workpiece incorrectly placed or clamped.
2. Vise too loose.
3. Excessive cutting force.

WHAT TO DO...

1. See **Material Clamping and Supporting**, page 6.
2. Tighten vise clamping.
3. Reduce cutting force.

Definiciones: Normas de seguridad

Las siguientes definiciones describen el nivel de gravedad de cada advertencia. Lea el manual y preste atención a estos símbolos.

⚠ PELIGRO: Indica una situación de peligro inminente que, si no se evita, **provocará la muerte o lesiones graves.**

⚠ ADVERTENCIA: Indica una situación de peligro potencial que, si no se evita, **podría provocar la muerte o lesiones graves.**

⚠ ATENCIÓN: Indica una situación de peligro potencial que, si no se evita, **puede provocar lesiones leves o moderadas.**

AVISO: Se refiere a una práctica **no relacionada a lesiones corporales** que de no evitarse **puede resultar en daños a la propiedad.**

Instrucciones de seguridad importantes



ADVERTENCIA: Lea todas las instrucciones antes de operar el producto. El no ceñirse a las instrucciones siguientes puede ser causa de choque eléctrico, incendio y/o lesiones graves.

CONSERVE ESTAS INSTRUCCIONES

Aislamiento Doble

Las herramientas con aislamiento doble se construyen en todas partes con dos capas separadas de aislamiento eléctrico, o una sola capa de aislamiento reforzado, entre el operador y el sistema eléctrico de la herramienta. Las herramientas construidas con este sistema de aislamiento no necesitan conexión a tierra. Consecuentemente, su herramienta está equipada con una clavija de dos patas que le permite utilizar extensiones sin la preocupación por mantener una conexión a tierra.

NOTA: El aislamiento doble no implica que no se deban tomar las medidas de seguridad normales al operar esta herramienta. El sistema de aislamiento secundario supone una protección contra lesiones ocasionadas por una posible falla del aislamiento eléctrico primario dentro de la herramienta.

⚠ ATENCIÓN: CUANDO REALICE MANTENIMIENTO, USE SÓLO REPUESTOS ORIGINALES. Repare o cambie aquellos alargadores que estén dañados.

Clavijas polarizadas

Las clavijas polarizadas (una pata es más ancha que la otra) se utilizan en el equipo para reducir el riesgo de choque eléctrico. Si está equipada, esta clavija sólo encaja de una forma en los enchufes polarizados. Si el enchufe no entra completamente en la toma de corriente, inviértalo. Si aún así no se ajusta, comuníquese con un electricista cualificado para que instale un enchufe adecuado. No altere el enchufe.

- **MANTENGA LOS PROTECTORES EN SU SITIO** y en buenas condiciones de funcionamiento.
- **QUITE LAS LLAVES DE AJUSTE.** Hágase el hábito de comprobar que la herramienta no tenga ninguna llave de ajuste puesta antes de encenderla.
- **MANTENGA LIMPIA EL ÁREA DE TRABAJO.** Las áreas y mesas de trabajo desordenadas aumentan el riesgo de lesiones.
- **NO UTILICE LA HERRAMIENTA EN AMBIENTES PELIGROSOS.** No utilice máquinas herramienta en lugares húmedos o mojados ni las exponga a lluvia. Mantenga el área de trabajo bien iluminada.
- **MANTENGA ALEJADOS A NIÑOS.** Toda visita debería mantenerse a una distancia segura del área de trabajo.
- **QUE SU TALLER SEA A PRUEBA DE NIÑOS.** Para ello utilice candados o conmutadores maestros o quite las llaves de arranque.

- **NO FUERCE LA HERRAMIENTA.** La herramienta hace el trabajo mejor y más seguro a la velocidad para la cual fue diseñada.
- **UTILICE LA HERRAMIENTA CORRECTA.** No fuerce la herramienta o el accesorio a que realice una tarea para la cual no fue diseñada.
- **USE EL ALARGADOR INDICADO.** Cerciórese de que su alargador esté en buenas condiciones. Cuando use un alargador, asegúrese de que sea lo bastante resistente como para llevar la corriente que su producto requerirá. Un alargador de menor calibre causará una caída en el voltaje de la línea lo que resultará en pérdida de potencia y sobrecalentamiento. El siguiente cuadro muestra el tamaño correcto a utilizar, dependiendo del largo del cable y del amperaje nominal. En caso de tener dudas, utilice el de mayor calibre. Mientras menor sea el número del calibre, mayor la capacidad del cable.

Tensión (Voltios)	Longitud del cable en metros (m)			
120-127 V	0-7	7-15	15-30	30-50
220-240 V	0-15	15-30	30-60	60-100
Corriente nominal (Amperios)	Sección nominal mínima del cable en milímetros cuadrados (mm ²)			
0-6 A	1,0	1,5	1,5	2,5
6-10 A	1,0	1,5	2,5	4,0
10-12 A	1,5	1,5	2,5	4,0
12-16 A	2,5	4,0	No recomendado	

- **USE SIEMPRE GAFAS DE SEGURIDAD** que cumplan con los requisitos de ANSI Z87.1. Utilice además una máscara para la cara o guardapolvo si la operación de corte genera demasiado polvo. Los anteojos de uso diario sólo tienen lentes resistentes a golpes, no son gafas de seguridad.
- **AFIRME BIEN SU TRABAJO.** Utilice abrazaderas o tornillos para sujetar las piezas en las que trabaja. Es más seguro, y así podrá utilizar ambas manos para operar la herramienta.
- **NO SE SOBREEXTIENDA.** Manténgase siempre bien apoyado y equilibrado.
- **CUIDE LAS HERRAMIENTAS.** Mantenga las herramientas afiladas y limpias para un funcionamiento mejor y más seguro. Siga las instrucciones para lubricar y cambiar accesorios.
- **DESENCHUFE LAS HERRAMIENTAS** antes de reparar o mantenerlas; cuando cambie accesorios tales como hojas, brocas, mecanismos de corte y otros por el estilo.
- **REDUZCA EL RIESGO DE PUESTAS EN MARCHA ACCIDENTALES.** Asegúrese de que el conmutador esté apagado antes de enchufarla.
- **UTILICE LOS ACCESORIOS RECOMENDADOS.** Consulte el manual de instrucciones para conocer los accesorios recomendados. El uso de accesorios no debidos puede producir un riesgo de lesiones corporales.
- **NUNCA SE PARE SOBRE LA HERRAMIENTA.** Podría sufrir graves lesiones si la herramienta se cae a un lado o si se entra en contacto no intencionado con la herramienta de corte.
- **REVISE LAS PIEZAS DAÑADAS.** Antes de continuar usando la herramienta, se debe revisar cuidadosamente el protector o cualquier otra pieza dañada para determinar que funcionará correctamente y realizará la función para la que fue diseñada – verifique que las piezas móviles estén alineadas, que no estén atascadas, rotas, montadas una sobre otra o de otra forma que pudiera afectar su operación. Cualquier protector o pieza dañada debe repararse debidamente o cambiarse.

- **JAMÁS DEJE SIN SUPERVISIÓN UNA HERRAMIENTA EN FUNCIONAMIENTO. APAGUE LA HERRAMIENTA.** No deje la herramienta hasta que no se haya detenido completamente.

Reglas de seguridad adicionales para tronzadoras de metal

- Use siempre protección ocular y respiratoria apropiada.
- Antes de usarla, revise el disco de corte para verificar que no esté trizado o tenga fallas. Si tuviera alguna trizadura o falla, descarte el disco. También se debe inspeccionar el disco siempre que piense que la herramienta pudiera haber caído. Las fallas pueden provocar la rotura del disco.
- Cuando arranque la herramienta con un disco nuevo o de repuesto o si no está seguro de la condición del disco, sostenga la herramienta en un lugar bien protegido y déjela andar por un minuto. Si el disco tiene una trizadura o falla que haya pasado inadvertida, se debería romper en pedazos en menos de un minuto. Nunca encienda la herramienta cuando haya una persona alineada con el disco. Esto incluye al operador.
- Durante la operación, evite hacer rebotar el disco o tratarlo bruscamente. Si ello sucediera, detenga la herramienta y revise que el disco no tenga trizaduras o fallas.
- Limpie su tronzadora de metales periódicamente, siguiendo el procedimiento de este manual.
- No quite los protectores del disco o la base.
- **SIEMPRE USE EL TORNO O DISPOSITIVO DE FIJACIÓN ESPECIAL PARA SOSTENER BIEN LA PIEZA DE TRABAJO.** Otros dispositivos tales como abrazaderas de resorte, de barra o en C pueden ser apropiadas para piezas de trabajo de diferentes tamaños y formas. Tenga cuidado al seleccionar y colocar estas abrazaderas y haga un movimiento de práctica antes de hacer un corte.

- Use sólo discos tipo 1 de 355 mm (14 pulg.) para 4100 rpm o superiores.
- Deje que las piezas cortadas se enfríen antes de cogerlas.
- No intente cortar madera o plástico con esta herramienta.
- **NUNCA CORTE MAGNESIO CON ESTA HERRAMIENTA.**
- Use la tronzadora de metales en un lugar bien ventilado.
- Apague la tronzadora de metales antes de quitar cualquier pieza de su base.
- **NO CORTE MATERIALES CARGADOS DE ELECTRICIDAD.**
- **NO USE HOJAS PARA SIERRAS CIRCULARES NI NINGUNA OTRA HOJA DENTADA CON ESTA HERRAMIENTA.** Pueden producirse lesiones graves.
- **NO OPERE ESTA HERRAMIENTA CERCA DE LÍQUIDOS, GASES O POLVOS INFLAMABLES.** Las chispas o partículas calientes generadas del corte o las escobillas del motor podrían encender materiales combustibles.
- No use el lado del disco abrasivo como pulidor de rebabas. Esto debilitará significativamente el disco y creará una condición poco segura. El disco podría desarmarse.

⚠ **ADVERTENCIA:** Si el enchufe o el cable de alimentación están dañados lo debe reemplazar el fabricante o su representante o por una persona igualmente calificada para evitar peligro.

⚠ **ATENCIÓN:** Use protección auditiva apropiada durante el uso de esta herramienta. Bajo algunas condiciones y duraciones de uso, el ruido producido por este producto puede contribuir a la pérdida auditiva.

⚠ **ATENCIÓN:** El deflector de chispas se calienta. Evite tocarlo o ajustarlo mientras está caliente. Mantenga cables y materiales alejados del deflector de chispas.

⚠ **ADVERTENCIA:** Algunos tipos de polvo, como aquellos generados por el lijado, serruchado, pulido y taladrado eléctrico y otras actividades de construcción, contienen químicos que pudiesen causar cáncer, defectos de nacimiento y otros daños reproductivos.

Algunos ejemplos de estos químicos son:

- plomo procedente de pinturas con base de plomo,
- óxido de silicio procedente de ladrillos, cemento y otros productos de mampostería, y
- arsénico y cromo provenientes de maderas tratadas con químicos (arseniato de cobre cromado).

El peligro derivado de la exposición a estos materiales varía en función de la frecuencia con que se realice este tipo de trabajo. Para reducir su exposición a estos químicos: trabaje en una zona bien ventilada y llevando equipos de seguridad aprobados, como mascarillas antipolvo especialmente diseñadas para filtrar partículas microscópicas.

- **Evite el contacto prolongado con polvo generado por el lijado, serruchado, pulido y taladrado eléctricos y otras actividades de construcción. Vista ropa protectora y lave las áreas de la piel expuestas con agua y jabón.** Si permite que el polvo se introduzca en su boca o sus ojos, o que quede sobre la piel, puede favorecer la absorción de químicos peligrosos.

⚠ADVERTENCIA: Siempre use protección respiratoria aprobada por NIOSH (Instituto Nacional de Seguridad y Salud en el Trabajo) u OSHA (Administración de Seguridad y Salud en el Trabajo) apropiada para la exposición al polvo. Dirija las partículas en dirección contraria a la cara y el cuerpo.

Para su conveniencia y seguridad, su tronzadora de metales para trabajo pesado de 355 mm (14 pulg.) tiene las siguientes advertencias:

- ⚠ **PARA OPERARLA DE UNA MANERA SEGURA, LEA EL MANUAL DE INSTRUCCIONES.**
- NO UTILICE HOJAS DENTADAS.**
- UTILICE SÓLO DISCOS REFORZADOS CALIFICADOS PARA 4100 RPM O SUPERIORES.**

CUANDO REALICE MANTENIMIENTO, USE SÓLO REPUESTOS ORIGINALES.

SIEMPRE: UTILICE PROTECCIÓN OCULAR; USE LOS PROTECTORES DE HOJA; SUJETE LA PIEZA DE TRABAJO CON EL TORNO; UTILICE LA PROTECCIÓN RESPIRATORIA APROPIADA.

NO EXPONGA A LLUVIA NI USE EN LUGARES HÚMEDOS.

CARACTERÍSTICAS (FIG. 1, 4)

- | | |
|----------------------------------|-----------------------------------|
| A. Cadena de sujeción | K. Protector |
| B. Tornillo deflector de chispas | L. Palanca de fijación del disco |
| C. Deflector de chispas | M. Perno de tope de profundidad |
| D. Base | N. Conmutador tipo gatillo |
| E. Guía | O. Orificio para insertar candado |
| F. Torno | P. Tuerca de obstrucción |
| G. Llave hexagonal de 8 mm | Q. Pernos para la guía |
| H. Manivela | |
| I. Palanca del torno | |
| J. Disco | |

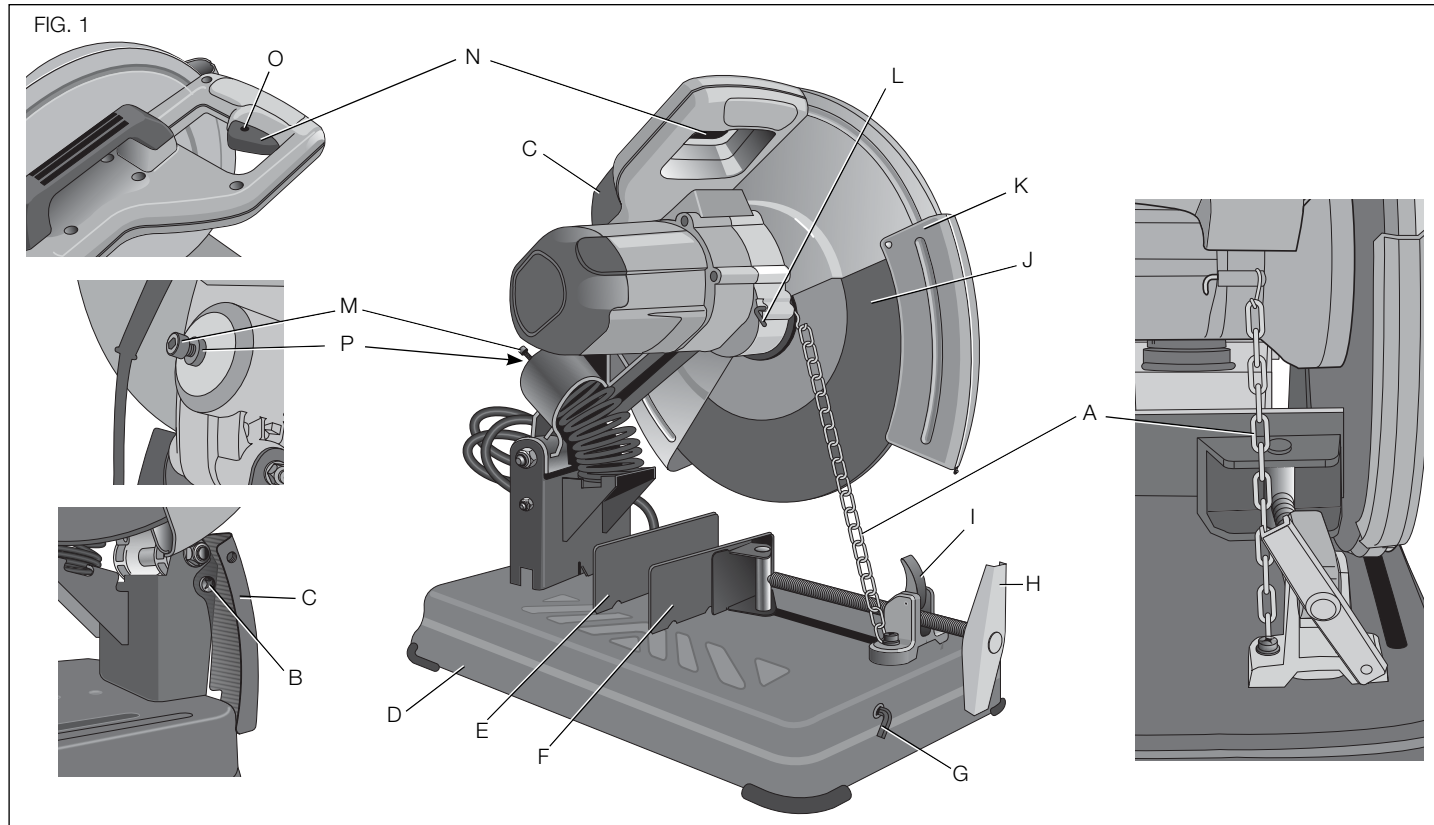
Alimentación eléctrica

Compruebe que su suministro eléctrico concuerde con el indicado en la placa nominal.

Una reducción de voltaje superior al 10% provocará pérdida de potencia y sobrecalentamiento.

Capacidad de corte

La amplitud de apertura del torno y la altura del punto de pivote proporcionan capacidad de corte para varias piezas grandes. Use la tabla de capacidad de corte para determinar el tamaño máximo total de los cortes que se pueden realizar con un disco nuevo.

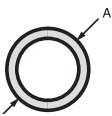
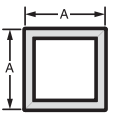
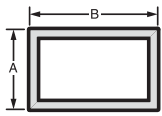
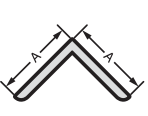


⚠ATENCIÓN: PUEDE QUE CIERTOS OBJETOS GRANDES, CIRCULARES O DE FORMAS IRREGULARES REQUIERAN DE SOPORTE ADICIONAL SI NO PUEDEN SER SUJETOS FIRMEMENTE EN EL TORNO.

⚠ATENCIÓN: NO CORTE MAGNESIO CON ESTA HERRAMIENTA.

CAPACIDAD MÁXIMA DE CORTE

NOTA: La capacidad indicada en la tabla supone que el disco no está desgastado y que la guía está en la posición óptima.

Forma de la pieza de trabajo:				
Ángulo de corte de 90°	A = 130 mm (5")	A = 120 mm (4,75")	115 mm x 130 mm (4,5" x 5") 102 mm x 194 mm (4" x 7-5/8") 76 mm x 229 mm (3" x 9")	A = 137 mm (5-3/8")
Ángulo de corte de 45°	A = 115 mm (4,5")	A = 107 mm (4,25")	115 mm x 107 mm (4,5" x 4,25")	A = 115 mm (4,5")

Equipo estándar

- 1 Disco abrasivo de 355 mm (14 pulg.) para cortar metales
- 1 Llave para el disco
- 1 Manual de instrucciones

Para portar (Fig. 1)

Doble hacia abajo la unidad a la posición donde puede transportar la sierra. Utilice la cadena de sujeción (A) para bloquear el brazo.

Para quitar el seguro (Fig. 1)

Para desbloquear la herramienta y levantar la cabeza, oprima el brazo motor ligeramente y suelte la cadena de sujeción (A). A continuación el brazo motriz girará hacia arriba.

Soporte y fijación del material

- Podrá sujetar y cortar ángulos mejor con ambas piernas descansando contra la base.
- Se puede utilizar un bloque espaciador ligeramente más angosto que la pieza de trabajo para aumentar la utilización de la rueda (Fig. 2).

FIG. 2 DIÁMETRO DE LA PIEZA DE TRABAJO

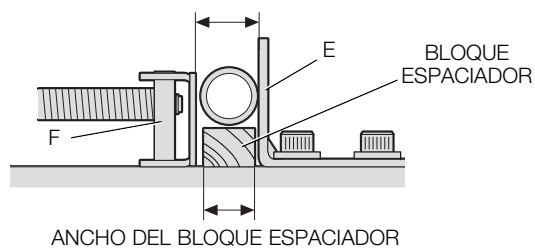
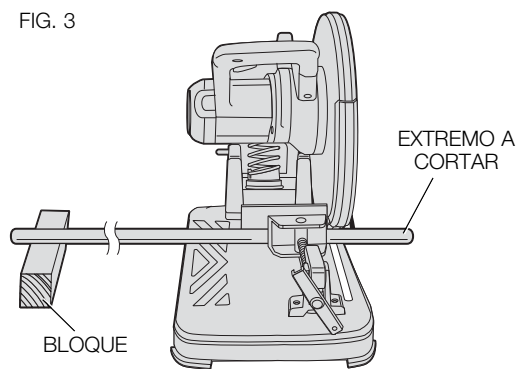


FIG. 3



- Las piezas de trabajo largas deben ser soportadas por un bloque para que estén al mismo nivel que la parte superior de la base (Fig. 3). El extremo a cortar debería poder caer libremente para evitar que el disco se atasque.

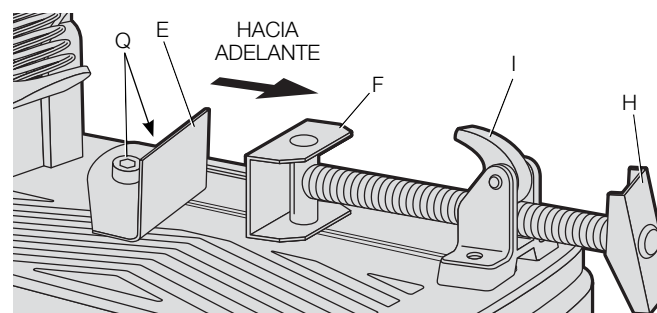
Ajuste del deflector de chispas (Fig. 1)

Para deflectar mejor las chispas de las personas y los materiales circundantes, afloje el tornillo (B), ajuste el deflector de chispas (C) y vuelva a ajustar el tornillo. No permita que el cable entre en contacto con el deflector o las chispas para evitarle daños.

Operación del torno (Fig. 4)

El torno (F) tiene una característica que permite soltarlo rápidamente. Para soltar el torno cuando está bien ajustado, gire la manivela (H) en dirección contraria a las manillas del reloj una o dos veces para liberar la presión de ajuste. Levante la palanca del torno (I). Tire de la unidad de la manivela lo más que desee. El torno puede ser empujado hacia la pieza de trabajo sin tener que girar la manivela. Baje la palanca del torno (I) y luego ajuste el torno (F) en la pieza de trabajo, girando la manivela (H).

FIG. 4



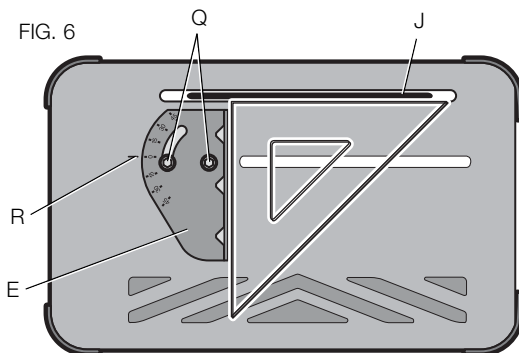
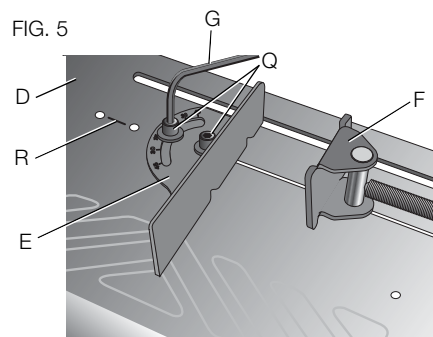
Operación de la guía

⚠ADVERTENCIA: Apague y desenchufe la herramienta antes de realizar ajustes o de quitarle o ponerle accesorios. Asegúrese que el conmutador tipo gatillo esté APAGADO.

La guía (E) puede ser ajustada en una de dos formas: para cambiar el ángulo de corte deseado y cambiar el espacio entre la guía y el torno.

PARA CAMBIAR EL ÁNGULO DE CORTE DESEADO (FIG. 5, 6)

Use la llave incluida para aflojar (sin quitar) los dos pernos de la guía (Q). Alinee la línea de indicación del ángulo deseado con la línea de la ranura (R) en la base (D). Ajuste bien ambos pernos de la guía antes de usarla.



Para realizar cortes cuadrados más precisos, desenchufe la herramienta, afloja los dos pernos de la guía, empuje el brazo hacia abajo hasta que el disco se extienda dentro de la base. Coloque una escuadra contra el disco y ajuste la guía contra la escuadra. Ajuste bien ambos pernos de la guía antes de usarla.

Puede que el torno (F) no sujete bien la pieza de trabajo al realizar cortes a inglete, dependiendo del grosor de la pieza y el ángulo de inglete. Otros dispositivos auxiliares (tales como abrazaderas de resorte, de barra o en C) serán entonces necesarios para sujetar la pieza a la guía al realizar estos cortes.

PARA CAMBIAR EL ESPACIO ENTRE LA GUÍA Y EL TORNO

Con la llave incluida, afloje y retire ambos pernos de la guía (Q). Ajuste la guía (E) al lugar deseado. Inserte ambos pernos de la guía en los lugares previstos. Ajuste bien ambos pernos de la guía antes de usarla.

Tope de profundidad (Fig. 1)

El tope de profundidad viene fijado de fábrica para un disco de 355 mm (14 pulg.) nuevo, para evitar que el disco corte la superficie de apoyo. Para permitir una mayor profundidad de corte, use la llave hexagonal de 8 mm incluida (G) para aflojar el perno de tope de profundidad (M). Luego eleve el perno a la altura deseada y gire la tuerca de obstrucción (P) en dirección de las manillas del reloj hasta que queden firmemente asentadas sobre la moldura. Ajuste bien el perno de tope de profundidad antes de usarlo.

⚠ATENCIÓN: Cuando cambie el disco por uno nuevo, vuelva a ajustar el tope a la posición original para evitar que corte la superficie de apoyo.

Conmutador tipo gatillo (Fig. 1)

Para arrancar la herramienta, presione el conmutador tipo gatillo (N). Para apagar la herramienta, suelte el conmutador tipo gatillo. Mantenga las manos y el material alejados del disco hasta que se haya detenido completamente.

Para prevenir el uso no autorizado de la herramienta, instale un candado estándar (no incluido) en el orificio para candados (O) ubicado en el gatillo.

Retiro e instalación de discos (Fig. 1, 7, 8)

⚠ATENCIÓN: Apague y desenchufe la herramienta antes de realizar ajustes o de quitarle o ponerle accesorios. Asegúrese que el conmutador tipo gatillo esté APAGADO. No realice ningún ajuste mientras el disco esté en movimiento. No realice ningún ajuste mientras la tronzadora de metales esté enchufada a la toma de corriente.

1. Empuje la palanca de fijación del disco (L) hacia adentro y gire el disco (J) con la mano hasta que la palanca de fijación del disco enganche en la ranura dentro de la pestaña (S) para fijar el disco. Afloje el perno (T) que está en el centro del disco abrasivo girándolo en dirección contraria a las manillas del reloj con la llave hexagonal de 8 mm (G). El perno tiene un hilo diestro.

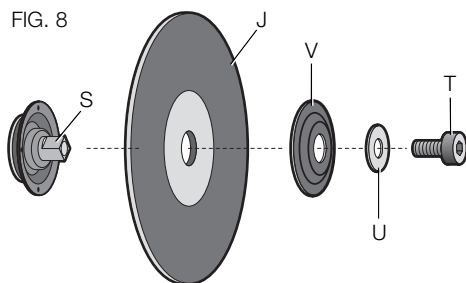
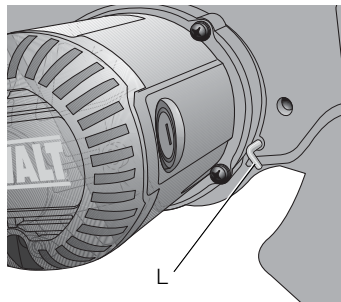


FIG. 8

FIG. 7



2. Retire el perno (T), la arandela (U), la pestaña exterior (V) y el disco viejo (J).
3. Asegúrese que las superficies de la pestaña queden limpias y planas. Instale el disco abrasivo nuevo invirtiendo los pasos de más arriba.
4. No ajuste demasiado el perno.

⚠ADVERTENCIA: Revise la superficie de trabajo sobre la cual descansa la tronzadora cuando cambie el disco abrasivo por uno nuevo. Es posible que el disco entre en contacto con CUALQUIER COSA O ESTRUCTURA QUE SE EXTIENDA por encima de la superficie de trabajo (debajo de la base) cuando el brazo está totalmente abajo.

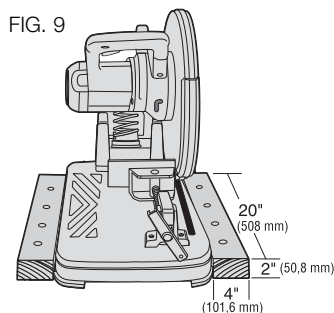
Montaje

⚠ATENCIÓN: La herramienta debe ser apoyada sobre una superficie estable, nivelada y no deslizante para evitar el movimiento inesperado de esta durante la operación.

MONTAJE CON SOPORTES (FIG. 9)

FIG. 9

1. Corte dos tablas de aproximadamente 508 mm de largo x 50,8 mm de alto x 101,6 mm de ancho (20 pulg. de largo x 2 pulg. de alto x 4 pulg. de ancho).
2. Coloque la tronzadora de metales en el lugar de trabajo deseado.
3. Coloque las tablas a ambos lados de la tronzadora, ajustándola entre ellas, y clávelas a la superficie de trabajo.



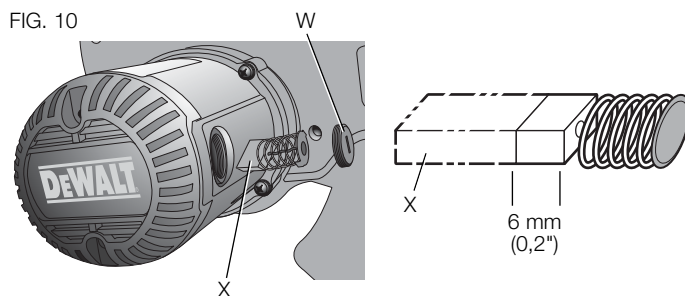
Consejos de operación para cortes más precisos

- Deje que el disco realice el corte. Si usa demasiada fuerza, el disco podría resbalar, reduciendo así su eficiencia de corte o deflectar, causando cortes imprecisos.
- Ajuste debidamente el ángulo de la guía.
- Asegúrese que el material esté plano contra la base.
- Sujete bien el material con dispositivos de sujeción para evitar que se mueva y que la sierra vibre.

MANTENIMIENTO

Inspección y cambio de escobillas del motor (Fig. 10)

⚠ADVERTENCIA: Apague y desenchufe la herramienta. Asegúrese que el conmutador tipo gatillo esté APAGADO.



Las escobillas deben ser inspeccionadas regularmente en busca de desgaste. Para inspeccionar las escobillas, retire la tapa de las escobillas (W). Las escobillas (X) deberían poder deslizarse libremente dentro de la caja. Si las escobillas están desgastadas a 6 mm (0,2 pulg.), como aparece en la Figura 10, deberían ser cambiadas.

Para volverlas a instalar, empuje la escobilla nueva dentro de la caja. Si va a reponer la escobilla existente, recuerde poner la escobilla en la misma orientación que cuando fue retirada. Reponga la tapa de las escobillas (**no sobreajuste**).

Limpieza

Se recomienda limpiar el polvo y la arenilla de la caja principal de la herramienta con una manguera de aire, tan frecuentemente como sea necesario limpiar tierra acumulada en las rejillas de ventilación y alrededor de estas. Use siempre protección ocular y respiratoria apropiada.

Reparaciones

Para garantizar la SEGURIDAD y la CONFIABILIDAD, deberán hacerse reparaciones, mantenimiento y ajustes de esta herramienta en los centros autorizados de servicio DEWALT u otras organizaciones autorizadas. Estas organizaciones prestan servicio a las herramientas DEWALT y emplean siempre refacciones legítimas DEWALT.

Lubricación

Se utilizaron rodamientos de grasa sellada, cerrados en toda la herramienta. Estos rodamientos vienen con suficiente lubricación de fábrica para durar la vida útil de la tronzadora de metales.

Accesorios

⚠ATENCIÓN: La utilización de cualquier accesorio no recomendado para esta herramienta puede ser peligrosa.

Use sólo discos de alta resistencia tipo 1 orgánicos calificados para 4100 rpm o superiores.

Puede comprar los accesorios recomendados para su herramienta donde su distribuidor local o en el centro de servicio autorizado. Si necesita ayuda para ubicar su distribuidor local o centro de servicio autorizado.

ESPECIFICACIONES

D28710-B3

Tensión de alimentación:	120 V ~
Frecuencia de alimentación:	50–60 Hz
Potencia nominal:	2 200 W
Rotación sin carga:	3 800/min

D28710-AR

Tensión de alimentación:	220 V ~
Frecuencia de alimentación:	50 Hz
Potencia nominal:	2 200 W
Rotación sin carga:	3 800/min

D28710-B2

Tensión de alimentación:	220 V ~
Frecuencia de alimentación:	50–60 Hz
Potencia nominal:	2 200 W
Rotación sin carga:	3 800/min

Para servicio y ventas consulte
"HERRAMIENTAS ELECTRICAS"
en la sección amarilla.



Guía de resolución de problemas

<p>¡PROBLEMA! LA HERRAMIENTA NO ARRANCA</p> <p>¿QUÉ SUCEDE?</p> <ol style="list-style-type: none">1. La herramienta no está enchufada.2. Un fusible está quemado o el interruptor de circuito fue activado.3. El cable está dañado.4. Las escobillas están desgastadas.	<p>QUÉ HACER...</p> <ol style="list-style-type: none">1. Enchufe la tronzadora.2. Cambie el fusible o reposicione el interruptor de circuito.3. Haga cambiar el cable en un centro de servicio autorizado.4. Cambie las escobillas.
<p>¡PROBLEMA! LA HERRAMIENTA REALIZA CORTES NO SATISFATORIOS</p> <p>¿QUÉ SUCEDE?</p> <ol style="list-style-type: none">1. El disco se resbala.2. La pieza de trabajo fue colocada o fijada incorrectamente.	<p>QUÉ HACER...</p> <ol style="list-style-type: none">1. Rectifique el disco o cámbielo por uno nuevo.2. Fije y soporte bien la pieza de trabajo.
<p>¡PROBLEMA! LA HOJA NO ALCANZA LA VELOCIDAD NECESARIA</p> <p>¿QUÉ SUCEDE?</p> <ol style="list-style-type: none">1. El alargador es de un calibre demasiado bajo o es demasiado largo.2. Bajo voltaje.3. Bajo voltaje de generador.	<p>QUÉ HACER...</p> <ol style="list-style-type: none">1. Usar un cable del calibre adecuado. Ver la tabla en la página 13.2. Contacte a su empresa eléctrica.3. Revise el voltaje de salida del generador. Reduzca el número de herramientas alimentadas por el generador.
<p>¡PROBLEMA! LA HERRAMIENTA VIBRA EXCESIVAMENTE DURANTE EL CORTE</p> <p>¿QUÉ SUCEDE?</p> <ol style="list-style-type: none">1. La herramienta no ha sido montada bien al soporte o la mesa de trabajo.2. Disco dañado.3. La pieza de trabajo no ha sido debidamente fijada.	<p>QUÉ HACER...</p> <ol style="list-style-type: none">1. Ajuste todos los accesorios de montaje.2. Cambie el disco.3. Vea Soporte y fijación del material, página 18.

Guía de resolución de problemas...**¡PROBLEMA!** NO REALIZA CORTES PRECISOS**¿QUÉ SUCEDE?**

1. La guía no ha sido debidamente ajustada.
2. El disco no está cuadrado con la guía.
3. Se usó demasiada fuerza para realizar el corte.
4. La pieza de trabajo se movió.

QUÉ HACER...

1. Revise y ajuste. Vea **Operación de la guía** en la página 19.
2. Revise y ajuste.
3. Reduzca la fuerza de corte; deje que el disco haga el trabajo.
4. Fije bien la pieza de trabajo. Vea **Soporte y fijación del material**, página 18. Asegúrese que el material esté plano contra la base.

¡PROBLEMA! EL BRAZO ESTÁ FIJO**¿QUÉ SUCEDE?**

1. La cadena de sujeción está engranada.

QUÉ HACER...

1. Oprima ligeramente sobre el brazo, suelte la cadena de sujeción y levante el brazo.

¡PROBLEMA! EL MATERIAL SE MUEVE DURANTE EL CORTE**¿QUÉ SUCEDE?**

1. La guía se resbala o la pieza de trabajo está mal colocada o no debidamente soportada.
2. El torno está demasiado flojo
3. Demasiada fuerza durante el corte.

QUÉ HACER...

1. Vea **Soporte y fijación del material**, página 18.
2. Ajuste el torno.
3. Use menos fuerza para cortar.

Definições: diretrizes de segurança

As definições abaixo apresentadas descrevem o grau de gravidade correspondente a cada palavra de advertência. Leia cuidadosamente o manual e preste atenção a estes símbolos.

⚠ PERIGO: Indica uma situação de risco iminente que, se não for evitada, **resultará em morte ou ferimentos graves**.

⚠ ATENÇÃO: Indica uma situação de risco potencial que, se não evitada, **poderá resultar em morte ou ferimentos graves**.

⚠ CUIDADO: Indica uma situação de risco potencial que, se não evitada, **poderá resultar em ferimentos leves ou moderados**.

AVISO: Se refere a uma prática **não relacionada a lesões corporais** que se não evitadas **podem resultar em danos materiais**.

Instruções de segurança importantes



ATENÇÃO: Leia todas as instruções antes de operar o aparelho. Siga todas as instruções fornecidas abaixo. Caso contrário, você corre o risco de provocar choques elétricos, incêndios e/ou lesões físicas graves.

GUARDE ESTAS INSTRUÇÕES

Isolamento duplo

As ferramentas com isolamento duplo são inteiramente fabricadas com duas camadas separadas de isolamento elétrico ou uma única camada de isolamento elétrico reforçado entre o usuário e o sistema elétrico da ferramenta. Este tipo de ferramenta não precisa ser conectada à terra. Por isto, sua unidade está equipada com um

plugue de dois pinos que lhe permite utilizar cabos de extensão sem ter que conectar o aparelho à terra.

NOTE: O isolamento duplo não elimina a necessidade de precauções normais de segurança ao usar esta ferramenta. O sistema de isolamento secundário oferece uma proteção contra lesões resultantes de uma possível falha do isolamento elétrico primário da ferramenta.

⚠ CUIDADO: USE SEMPRE PEÇAS DE REPOSIÇÃO ORIGINAIS QUANDO A FERRAMENTA FOR CONSERTADA. Conserte ou substitua os fios elétricos danificados.

Plugue polarizado

Os plugues polarizados (isto é, com um dos pinos maior do que o outro) são usados para reduzir o risco de choque elétrico. Se sua ferramenta tem um plugue polarizado, este plugue pode ser encaixado de uma só maneira na tomada. Caso não seja possível encaixar o plugue na tomada, inverta a posição do plugue e tente novamente. Se, mesmo assim, não for possível encaixar o plugue na tomada, procure um electricista qualificado para que ele instale uma tomada adequada. Nunca tente fazer nenhuma alteração ao plugue.

- **MANTENHA OS DISPOSITIVOS DE SEGURANÇA INSTALADOS** em boas condições de funcionamento.
- **RETIRE AS CHAVES DE AJUSTE OU PRESSÃO.** Adquira o hábito de verificar se todas as chaves, incluindo as chaves de ajuste, foram retiradas da ferramenta antes de acioná-la.
- **MANTENHA A SUA ÁREA DE TRABALHO LIMPA.** As áreas e bancadas de trabalho desorganizadas são um convite aos acidentes.
- **NÃO USE A FERRAMENTA EM AMBIENTES PERIGOSOS.** Nunca use ferramentas elétricas em áreas úmidas ou molhadas, nem as exponha à chuva. Mantenha sua área de trabalho bem iluminada.
- **MANTENHA AS CRIANÇAS À DISTÂNCIA.** Todos os espectadores devem permanecer a uma distância segura da área de trabalho.

- **MANTENHA SUA OFICINA DE TRABALHO INACESSÍVEL ÀS CRIANÇAS** usando cadeados, interruptores-mestres ou retirando as chaves de arranque.
- **NUNCA FORCE A FERRAMENTA.** A ferramenta executará o trabalho melhor e com mais segurança quando usada de acordo com as especificações para as quais foi projetada.
- **USE A FERRAMENTA ADEQUADA.** Não force uma ferramenta nem um acessório tentando fazer um trabalho para o qual eles não foram fabricados.
- **USE EXTENSÕES ELÉTRICAS ADEQUADAS.** Verifique sempre se o fio de extensão está em boas condições. Sempre que usar uma extensão, verifique se ela tem um calibre suficiente para a corrente exigida pela sua ferramenta elétrica. Uma extensão de menor calibre causará uma queda de voltagem o que resultará em perda de potência e superaquecimento da ferramenta. A tabela a seguir indica o tamanho que deve ser usado em função do comprimento do cabo e da amperagem nominal. Em caso de dúvida, use um fio de maior capacidade. Quanto menor o número do calibre, maior será a capacidade do cabo.

Tensão (Volts)	Comprimento do cabo de extensão em metros (m)			
	0-7	7-15	15-30	30-50
120-127 V	0-7	7-15	15-30	30-50
220-240 V	0-15	15-30	30-60	60-100
Faixa de Corrente nominal (Amperes)	Secção mínima do cabo de extensão em milímetros quadrados (mm ²)			
	1,0	1,5	2,5	4,0
0-6 A	1,0	1,5	2,5	4,0
6-10 A	1,0	1,5	2,5	4,0
10-12 A	1,5	1,5	2,5	4,0
12-16 A	2,5	4,0	Não recomendado	

- **VISTA ROUPAS ADEQUADAS.** Não use roupas folgadas, gravatas, anéis, braceletes, pulseiras nem jóias que possam ficar presos às partes móveis da ferramenta. Recomendamos o uso

de sapatos de segurança antiderrapantes. Utilize um protetor para cobrir e prender seus cabelos. Muitas vezes, os orifícios de ventilação cobrem peças móveis e, por isso, devem ser evitados.

- **USE SEMPRE ÓCULOS DE PROTEÇÃO** que satisfaçam à norma ANSI Z87.1. Além disso, caso o trabalho de corte possa criar muito pó, use sempre uma máscara facial ou máscara contra pó. Os óculos de uso diário têm lentes resistentes ao impacto, porém não protegem em caso de acidente.
- **PRENDA A PEÇA A SER CORTADA.** Use uma braçadeira ou um torno para prender a peça a ser cortada. Desse modo, seu trabalho será mais seguro e suas mãos estarão livres para operar a ferramenta.
- **NUNCA TENHA APANHAR ALGO QUE ESTEJA FORA DO SEU ALCANCE.** Mantenha os pés bem apoiados e fique bem equilibrado sempre que estiver usando a ferramenta.
- **CUIDE BEM DE SUA FERRAMENTA.** Para obter os resultados melhores e mais seguros, mantenha suas ferramentas sempre afiadas e limpas. Siga as instruções de lubrificação e substituição de acessórios.
- **DESCONECTE A FERRAMENTA DA CORRENTE ELÉTRICA** antes de inspecionar ou tentar identificar um problema com a ferramenta; e antes de substituir acessórios como, por exemplo, lâminas, discos, brocas, fresas ou outros acessórios.
- **REDUZA O RISCO DE ACIONAMENTO ACIDENTAL DA FERRAMENTA.** Verifique sempre se o gatilho está desligado (na posição "off") antes conectar a ferramenta à corrente elétrica.
- **USE SOMENTE OS ACESSÓRIOS RECOMENDADOS PARA SUA FERRAMENTA.** Os acessórios recomendados estão indicados no manual de instruções. O uso de acessórios inadequados pode criar riscos de ferimentos.
- **NUNCA USE A FERRAMENTA PARA APOIAR-SE NEM SUBA NA FERRAMENTA.** Ferimentos graves podem ocorrer

quando uma ferramenta de corte se desequilibra ou é acionada acidentalmente.

- **VERIFIQUE SE NENHUMA PEÇA FOI DANIFICADA.** Antes de continuar usando a ferramenta, dispositivo de proteção ou qualquer outra peça danificada, verifique-os cuidadosamente para certificar-se de que funcionam adequadamente e podem executar o trabalho para o qual foram projetados. Em particular, verifique se as peças móveis estão bem alinhadas e seguras, se nenhuma está partida, fissurada ou montada sobre outra, ou se não há nenhum outro problema que poderia afetar o funcionamento da ferramenta. Os dispositivos de proteção ou peças danificados ou quebrados devem ser corretamente consertados ou substituídos.
- **NUNCA DEIXE UMA FERRAMENTA FUNCIONANDO SEM SUPERVISÃO. SEMPRE DESLIGUE OU DESCONECTE A FERRAMENTA DA CORRENTE ELÉTRICA.** Não vá embora da área de trabalho antes que a ferramenta tenha parado completamente de funcionar.

Regras de Segurança Adicionais para Serras de Corte Rápido

- **Sempre use dispositivos de proteção adequados para os olhos e para a respiração.**
- **Antes de utilizar a ferramenta, verifique se os discos de corte não estão fissurados ou defeituosos. Caso note uma fissura ou um defeito, descarte o disco. Além disso, examine o disco sempre que suspeitar que a ferramenta caiu ou sofreu uma pancada. Um disco defeituoso pode quebrar-se.**
- **Quando puser a ferramenta para funcionar com um disco novo ou substituído ou sempre que estiver em dúvida sobre as condições de uso do disco, coloque a ferramenta numa área bem protegida e a faça funcionar durante um minuto. Caso o disco tenha uma fissura ou uma imperfeição não**

detectadas, ele quebrará em menos de um minuto. Nunca acione a ferramenta quando uma pessoa estiver diante do disco numa linha reta, incluindo o operador da ferramenta.

- **Quando a máquina estiver em funcionamento, evite que o disco seja golpeado ou operado sem cuidado.** Caso isto ocorra, desligue a ferramenta e examine o disco para ver se não está fissurado ou defeituoso.
- **Limpe periodicamente sua serra de corte rápido de acordo com as instruções fornecidas neste manual.**
- **Não retire os protetores nem a base do disco.**
- **USE SEMPRE O TORNO OU UM DISPOSITIVO ESPECIAL PARA PRENDER COM SEGURANÇA A PEÇA A SER CORTADA.** Outros dispositivos como, por exemplo, tornos de mola, de barra ou em C, podem ser adequados para prender peças de alguns tamanhos e formas diferentes. Escolha e instale estes dispositivos cuidadosamente e faça um teste de corte antes de utilizá-los.
- **Utilize somente discos de 355 mm (14"), tipo 1, de 4.100 rpm ou mais.**
- **Sempre deixe que as peças cortadas esfriem antes de tocá-las com as mãos.**
- **Nunca tente cortar madeira ou plástico com esta ferramenta.**
- **NUNCA CORTE MAGNÉSIO COM ESTA FERRAMENTA.**
- **Use sempre sua serra de corte rápido numa área bem ventilada.**
- **Desligue a serra de corte rápido antes de retirar qualquer peça da base.**
- **NUNCA CORTE NENHUM MATERIAL QUE ESTEJA CONECTADO A UM CIRCUITO ELÉTRICO "ENERGIZADO".**
- **NUNCA UTILIZE UM DISCO DE CORTE PARA SERRA CIRCULAR NEM QUALQUER TIPO DE DISCO DE CORTE DENTADO COM ESTA FERRAMENTA.** Isto pode provocar ferimentos graves.

- **NÃO OPERE ESTA FERRAMENTA NA PRESENÇA DE LÍQUIDOS, GASES OU POEIRAS INFLAMÁVEIS.** O funcionamento do motor e das escovas pode gerar faíscas ou projetar partículas quentes e incendiar substâncias combustíveis presentes no ambiente.
- Nunca utilize o lado do disco abrasivo como esmeril ou polidor. Isto enfraquecerá muito o disco e tornará seu uso perigoso. O disco poderá se desprender.

⚠ CUIDADO: Utilize proteção para os ouvidos adequada quando estiver usando a ferramenta. Sob algumas condições e dependendo do tempo de uso contínuo, o ruído produzido por esta ferramenta pode contribuir para a perda da audição.

⚠ CUIDADO: O pára-faíscas se aquecerá durante o funcionamento da ferramenta. Por isso, evite tocar ou ajustar o pára-faíscas enquanto estiver quente. Mantenha os fios elétricos das ferramentas e outros materiais longe do pára-faíscas.

⚠ ATENÇÃO: É possível que uma parte da poeira criada por algumas ferramentas elétricas de lixamento, serragem, esmerilhagem, perfuração e outras atividades de construção contenha substâncias químicas como causadoras de câncer, defeitos congênitos ou problemas reprodutivos. Alguns exemplos desses produtos químicos são:

- chumbo nas tintas à base de chumbo,
- sílica cristalina em tijolos, cimento e outros produtos de alvenaria, e
- arsênio e cromo em madeiras tratadas quimicamente com CCA (arseniato de cobre cromatado).

O risco de exposição a esses produtos varia dependendo da frequência de execução desse tipo de trabalho. A fim de reduzir sua exposição a essas substâncias químicas: trabalhe em áreas bem ventiladas e usando equipamentos de segurança aprovados como, por exemplo, máscaras contra pó fabricadas especialmente para impedir a passagem de partículas microscópicas.

- Evite o contato prolongado com o pó produzido por ferramentas elétricas de lixamento, serragem, esmerilhagem, perfuração e outras atividades de construção. Vista roupas protetoras e lave com água e sabão as partes do corpo expostas. Permitir que o pó entre em contato com a boca, os olhos ou a pele pode provocar a absorção de produtos químicos nocivos para o corpo.

⚠ ATENÇÃO: Use sempre equipamentos adequados de proteção respiratória contra pó aprovados pelo NIOSH ou pela OSHA. Direcione as partículas para longe do rosto e do corpo.

Para seu conforto e segurança, as seguintes advertências estão impressas em sua serra de corte profissional 355 mm (14"):

⚠ LEIA O MANUAL DE INSTRUÇÕES PARA OPERAR COM SEGURANÇA O APARELHO.

NÃO USE LÂMINAS DENTADAS.

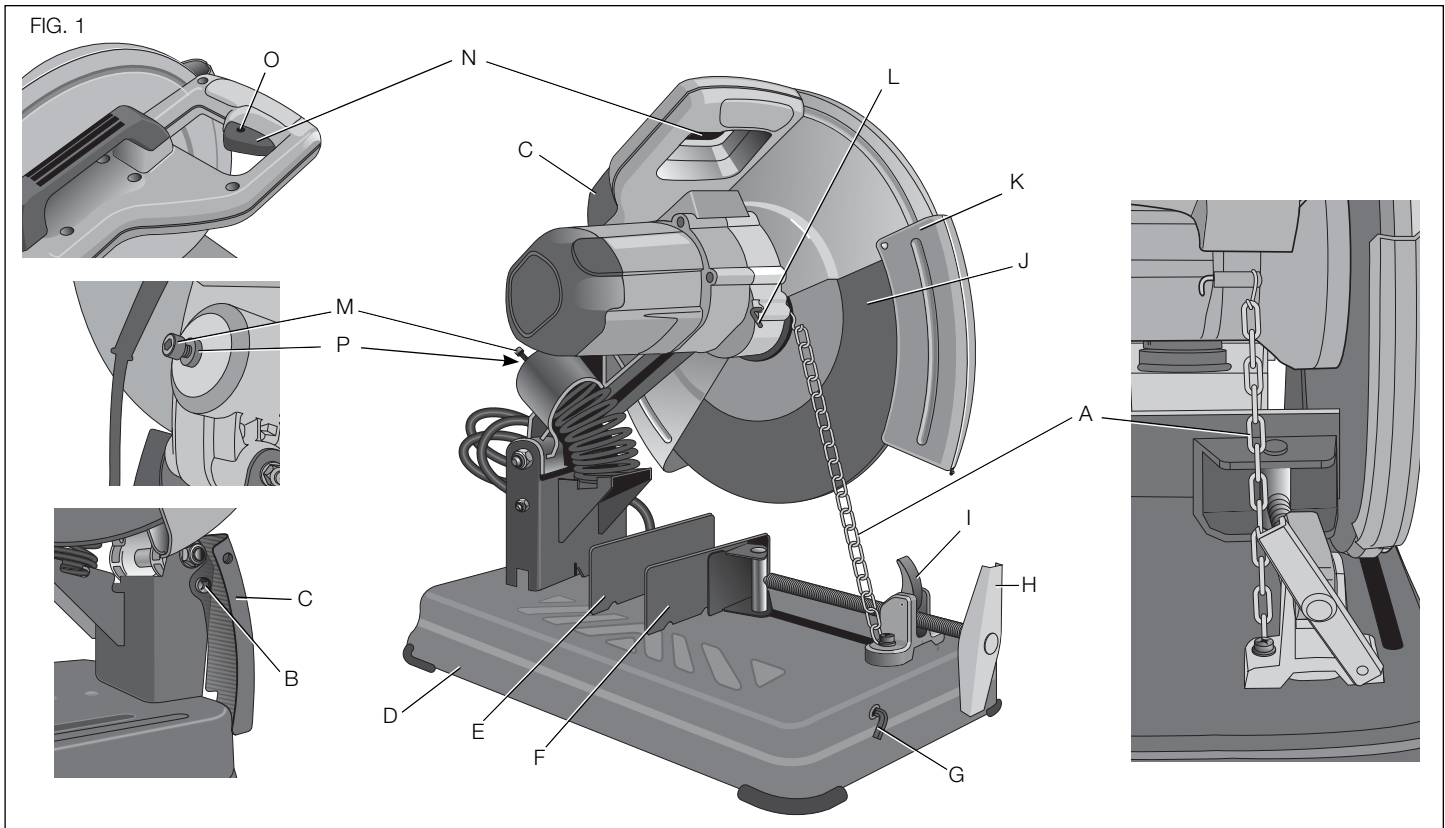
UTILIZE SOMENTE DISCOS REFORÇADOS DE 4.100 RPM OU MAIS.

USE SOMENTE PEÇAS DE SUBSTITUIÇÃO IDÊNTICAS ÀS PEÇAS ORIGINAIS.

SEMPRE USE PROTEÇÃO PARA OS OLHOS.

SEMPRE USE OS DISPOSITIVOS DE PROTEÇÃO DO APARELHO. SEMPRE PRENDA A PEÇA A SER CORTADA NO TORNO. SEMPRE USE PROTEÇÃO RESPIRATÓRIA ADEQUADA.

NÃO EXPONHA O APARELHO À CHUVA NEM O UTILIZE EM LUGARES ÚMIDOS.



Português

CARACTERÍSTICAS (FIG. 1, 4)

- | | |
|-----------------------------|--------------------------------------|
| A. Corrente de travamento | J. Disco |
| B. Parafuso do pára-faíscas | K. Anteparo |
| C. Pára-faíscas | L. Alavanca da trava do disco |
| D. Base | M. Parafuso de profundidade de corte |
| E. Guia | N. Interruptor tipo gatilho |
| F. Torno | O. Orifício do cadeado |
| G. Chave sextavada de 8 mm | P. Porca baixa |
| H. Manivela | Q. Parafusos da guia |
| I. Alavanca do torno | |

Fonte de alimentação elétrica

Assegure-se de que o tipo de energia elétrica fornecido por sua rede corresponde ao tipo indicado na placa do aparelho.

Uma queda de voltagem de mais de 10% causará perda potência e superaquecimento da ferramenta.

Capacidade de corte

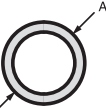
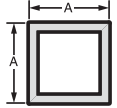
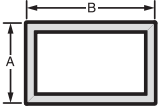
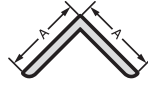
A abertura ampla do torno e o ponto elevado de giro proporcionam uma capacidade de corte para uma grande variedade de peças grandes. Use a tabela de capacidade de corte para determinar o tamanho máximo dos cortes que podem ser feitos com um disco de corte novo.

⚠CUIDADO: ALGUNS OBJETOS GRANDES, CIRCULARES OU DE FORMA IRREGULAR PODEM EXIGIR DISPOSITIVOS ADICIONAIS PARA PRENDÊ-LOS CASO NÃO SEJA POSSÍVEL PRENDÊ-LOS FIRMEMENTE NO TORNO.

⚠CUIDADO: NUNCA USE ESTA FERRAMENTA PARA CORTAR MAGNÉSIO.

CAPACIDADE DE CORTE MÁXIMA

NOTA: A capacidade mostrada no gráfico assume que o disco de corte não está gasto e que a guia se encontra em posição ótima.

Forma da peça a ser cortada:				
Ângulo de corte de 90°	A = 130 mm (5")	A = 120 mm (4,75")	115 mm x 130 mm (4,5" x 5") 102 mm x 194 mm (4" x 7-5/8") 76 mm x 229 mm (3" x 9")	A = 137 mm (5-3/8")
Ângulo de corte de 45°	A = 115 mm (4,5")	A = 107 mm (4,25")	115 mm x 107 mm (4,5" x 4,25")	A = 115 mm (4,5")

Equipamento padrão

- 1 disco metálico de corte abrasivo de 355 mm (14")
- 1 chave de disco
- 1 manual de instruções

Como transportar o aparelho (Fig. 1)

Dobre o aparelho para baixo para posicioná-lo de maneira que você possa transportar a serra. Use a corrente (A) para travar e imobilizar o braço.

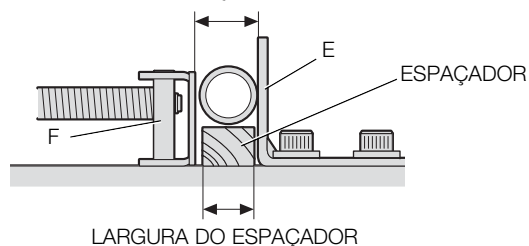
Como destravar o aparelho (Fig. 1)

Para destravar e levantar a serra, pressione ligeiramente o braço do motor para baixo e solte a corrente (A). O braço do motor girará para cima.

Como prender e apoiar o material

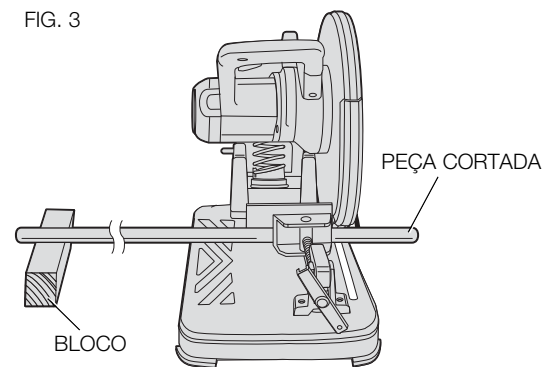
- Para melhor prender e cortar os ângulos, os dois lados devem descansar sobre a base.
- Caso necessário, use um bloco espaçador adicional um pouco mais estreito que a peça a ser cortada a fim de aumentar a utilização do disco de corte (Fig. 2).

FIG. 2 DIÂMETRO DA PEÇA A SER CORTADA



- As peças longas a serem cortadas devem ser apoiadas por meio de um bloco de maneira que fiquem niveladas com o topo da base (Fig. 3). O pedaço cortado deve estar solto para que possa cair sem prender-se no disco de corte.

FIG. 3



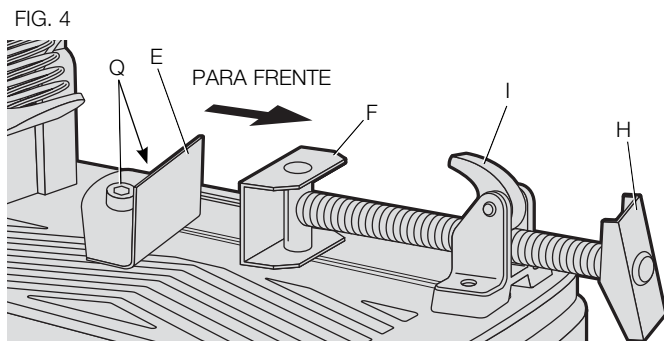
Ajuste do pára-faíscas (Fig. 1)

Para melhor desviar faíscas para longe das pessoas e dos materiais perto do aparelho, folgue o parafuso (B), ajuste o pára-faíscas (C) e aperte novamente o parafuso. Nunca deixe que o fio elétrico do aparelho entre em contato com o pára-faísca ou com as faíscas produzidas pelo aparelho, pois isto pode causar danos ao fio elétrico.

Funcionamento do torno (Fig. 4)

O torno (F) está equipado com um dispositivo de aperto rápido. Para soltar o torno quando se encontra preso firmemente, gire a manivela (H) em sentido anti-horário uma ou duas vezes para diminuir a pressão do torno. Em seguida, levante a alavanca do torno (I). Puxe a manivela para fora tanto quanto for necessário. Inicialmente, o torno pode apertar a peça sem o auxílio da manivela. Abaixar a alavanca

do torno (I) e, em seguida, aperte a peça com o torno (F) usando a manivela (H).



Funcionamento da guia

ATENÇÃO: Antes de fazer qualquer ajuste, retirar ou instalar qualquer acessório, desligue e desconecte o aparelho da corrente elétrica. Assegure-se de que o gatilho esteja na posição "off" (desligado).

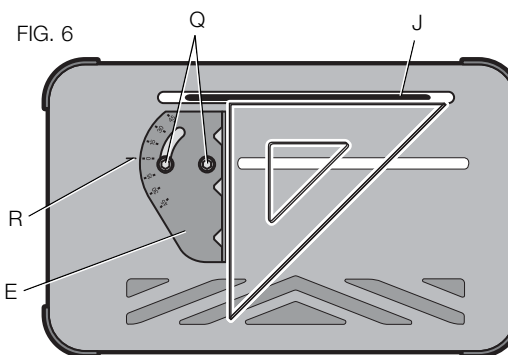
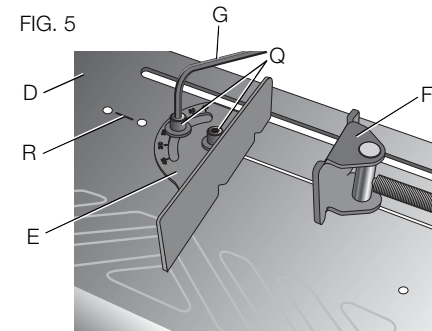
A guia (E) pode ser ajustada de duas maneiras: para mudar o ângulo de corte desejado e para mudar o espaço entre a guia e o torno.

PARA MUDAR O ÂNGULO DE CORTE DESEJADO (FIG. 5, 6)

Use a chave fornecida para afrouxar (**sem remover**) os dois parafusos da guia (Q). Alinhe a linha do indicador do ângulo desejado com a linha (R) na base (D). Aperte firmemente os dois parafusos da guia antes do uso.

Para fazer cortes mais precisos, desligue a ferramenta da corrente elétrica, folgue os dois parafusos da guia, e empurre o braço para baixo até que o disco passe além da base. Coloque um esquadro contra o disco e ajuste a guia contra o esquadro. Aperte firmemente os dois parafusos da guia antes do uso.

Para os cortes em ângulo, talvez o torno (F) não prenda firmemente a peça, dependendo da espessura da peça a ser cortada e do ângulo de corte. Para estes tipos de corte, a utilização de outros tipos de tornos (por exemplo, de molas, de barra ou tornos em C), pode ser necessária para prender a peça a ser cortada à guia.



PARA MUDAR O ESPAÇO ENTRE A GUIA E O TORNO

Usando a chave fornecida, folgue e retire os dois parafusos da guia (Q). Ajuste a guia (E) aos lugares desejados. Insira os dois parafusos da guia nos seus lugares respectivos. Aperte firmemente os dois parafusos da guia antes do uso.

Profundidade de corte (Fig. 1)

A profundidade de corte é programada na fábrica para um disco novo de 355 mm (14") a fim de impedir que o disco corte a superfície de suporte. Para fazer cortes mais profundos, use a chave sextavada de 8 mm (G) para folgar o parafuso de profundidade de corte (M) e levante o parafuso até a altura desejada. Em seguida, gire a porca baixa (P) no sentido horário até que esteja assentada firmemente. Aperte firmemente o parafuso de profundidade de corte antes de usar a ferramenta.

⚠️ CUIDADO: Após instalar um novo disco, reajuste a profundidade de corte para a posição original a fim de impedir que a ferramenta corte a superfície de suporte.

Interruptor tipo gatilho (Fig. 1)

Para acionar a ferramenta, pressione o gatilho (N). Para desligar a ferramenta, solte o gatilho. Mantenha as mãos e o material longe do disco até que o disco tenha parado completamente.

Para impedir o uso não autorizado do aparelho, instale um cadeado comum (não incluído) no orifício para cadeado (O) localizado no gatilho.

Como remover e instalar os discos (Fig. 1, 7, 8)

⚠️ ATENÇÃO: Antes de fazer qualquer ajuste, retire ou instale qualquer acessório, desligue e desconecte o aparelho da corrente elétrica. Assegure-se de que o gatilho esteja na posição "off" (desligado). Não faça nenhum ajuste na ferramenta enquanto o disco estiver em movimento. Não faça nenhum ajuste enquanto a ferramenta estiver conectada à corrente elétrica.

1. Empurre para dentro a alavanca da trava do disco (L) e gire o disco (J) manualmente até que a trava da alavanca do disco engate na linha fendida no flange interior (S) para travar o disco.

Folgue o parafuso (T) no sentido anti-horário no centro do disco abrasivo usando a chavesextavada de 8 mm (G). O parafuso é de rosca direita.

2. Retire o parafuso (T), a arruela (U), o flange exterior (V) e o disco gasto (J).
3. Assegure-se de que as superfícies dos flanges estejam limpas e planas. Instale o novo disco abrasivo seguindo as etapas acima em ordem inversa.

4. Não aperte demasiadamente o parafuso.

⚠️ ATENÇÃO: Ao instalar um novo disco abrasivo, verifique a superfície de trabalho onde se encontra a ferramenta. É possível que o disco toque QUALQUER ELEMENTO OU ESTRUTURA QUE PASSE ACIMA da superfície de trabalho (sob a base), quando o braço se encontra em sua posição mais baixa.

FIG. 7

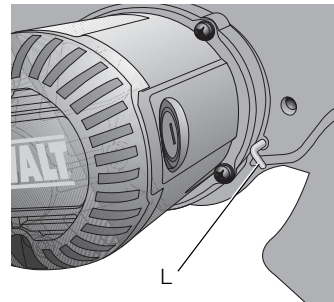
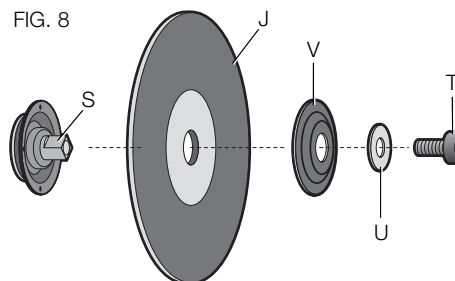


FIG. 8

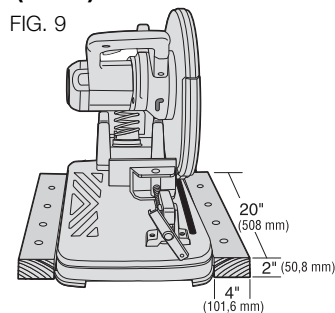


Montagem

⚠ CUIDADO: A ferramenta deve estar suportada por uma superfície estável, nivelada e antiderrapante a fim de impedir movimentos inesperados quando estiver em funcionamento.

MONTAGEM EM PLATAFORMA (FIG. 9)

1. Corte duas peças de madeira de cerca de 508 mm (comprimento) x 50,8 mm (altura) x 101,6 mm (largura) (20" x 2" x 4").
2. Coloque a serra na posição de trabalho desejada.
3. Coloque as peças de madeira firmemente nos lados da ferramenta e pregue-as à superfície de trabalho.



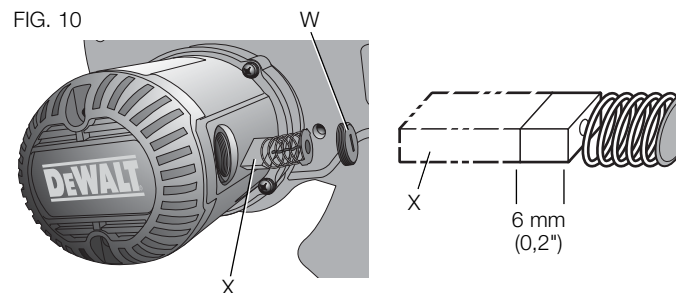
Sugestões para fazer cortes mais precisos

- Permita que o disco realize o corte. O uso de força excessiva fará com que o disco fique embotado, diminuindo assim sua eficiência de corte e/ou se desalinhe, produzindo cortes inexatos.
- Ajuste corretamente o ângulo da guia.
- Assegure-se de que o material esteja bem assentado sobre a base.
- Prenda adequadamente o material para evitar movimento e vibração.

MANUTENÇÃO

Inspeção e troca das escovas do motor (Fig. 10)

⚠ ATENÇÃO: Desligue e desconecte a ferramenta da corrente elétrica. Assegure-se de que o gatilho esteja na posição "off" (desligado).



Examine com frequência as escovas para assegurar-se de que não estão gastas. Para inspecionar as escovas, retire a tampa de inspeção das escovas (W). As escovas (X) devem deslizar livremente dentro da caixa de escovas. Se as escovas estiverem gastas a um nível inferior a 6 mm (0,2") como mostrado na Figura 10, elas devem ser trocadas. Para reinstalar, empurre a nova escova para dentro da caixa de escovas. Ao substituir uma escova existente, mantenha a mesma orientação da escova removida. Coloque novamente a tampa das escovas no lugar **sem apertar demasiadamente**.

Limpeza

Recomendamos limpar o pó e os resíduos de corte que se encontram na ferramenta usando um jato de ar sempre que necessário para que não se acumulem nos orifícios de ventilação. Sempre use dispositivos de proteção adequados para os olhos e para a respiração.

Reparos

Para assegurar a SEGURANÇA e a CONFIABILIDADE da ferramenta, os reparos, a manutenção e os ajustes (incluindo inspeção e substituição da escova) devem ser realizados por um centro de serviços autorizados da DEWALT ou outro pessoal técnico qualificado. Use sempre peças de reposição idênticas.

A DEWALT possui uma das maiores Redes de Serviços do País, Ligue: 0800-7034644 ou consulte nosso site: www.dewalt.com.br, para saber qual é a mais próxima de sua localidade.

Lubrificação

Esta ferramenta foi fabricada com rolamentos herméticos de lubrificação selada. Estes rolamentos têm lubrificação de fábrica suficiente para toda a vida útil da máquina.

Acessórios

⚠️ CUIDADO: A utilização de um acessório não recomendado para este aparelho pode ser perigosa.

Utilize somente discos para corte de aglomerante orgânico tipo 1 de alta resistência de 4.100 rpm ou mais.

Os acessórios recomendados para uso com sua ferramenta estão disponíveis a custo adicional no seu revendedor local ou no centro de assistência técnica autorizado.

ESPECIFICAÇÕES

D28710-B2

Voltagem	220 V ~
Freqüência	50-60 Hz
Alimentação elétrica	2 200 W
Rotações sem carga	3 800/min

Guia de resolução de problemas

PROBLEMA! <i>A FERRAMENTA NÃO QUER FUNCIONAR</i>	
CAUSA	SOLUÇÃO
<ol style="list-style-type: none"> 1. A ferramenta não está conectada à corrente elétrica. 2. O fusível queimou ou o disjuntor interrompeu o circuito. 3. O fio da ferramenta foi danificado. 4. As escovas estão gastas. 	<ol style="list-style-type: none"> 1. Ligue a ferramenta à corrente elétrica. 2. Troque o fusível ou ligue novamente o disjuntor. 3. Leve o aparelho a um centro de assistência técnica autorizado para trocar o fio. 4. Troque as escovas.
PROBLEMA! <i>A FERRAMENTA NÃO CORTA BEM</i>	
CAUSA	SOLUÇÃO
<ol style="list-style-type: none"> 1. O disco está embotado. 2. A peça cortada foi colocada ou presa incorretamente. 	<ol style="list-style-type: none"> 1. Afie o disco ou troque-o por um disco novo. 2. Prenda e apóie firmemente a peça a ser cortada.
PROBLEMA! <i>A LÂMINA NÃO ATINGE UMA VELOCIDADE SUFICIENTE</i>	
CAUSA	SOLUÇÃO
<ol style="list-style-type: none"> 1. O fio de extensão é de calibre inferior ao necessário ou é longo demais. 2. Baixa voltagem. 3. Gerador de baixa voltagem. 	<ol style="list-style-type: none"> 1. Substitua o fio por um fio de calibre adequado. Consulte a tabela na página 26. 2. Entre em contato com a companhia de energia elétrica. 3. Verifique a voltagem de saída do gerador. Diminua o número de ferramentas alimentadas pelo gerador.
PROBLEMA! <i>A FERRAMENTA VIBRA DEMASIADAMENTE DURANTE O CORTE</i>	
CAUSA	SOLUÇÃO
<ol style="list-style-type: none"> 1. A ferramenta não foi montada corretamente na plataforma ou na bancada de trabalho. 2. O disco foi danificado. 3. A peça a ser cortada não foi presa corretamente. 	<ol style="list-style-type: none"> 1. Aperte todos os parafusos de montagem do aparelho. 2. Substitua o disco. 3. Consulte a seção Como prender e apoiar o material, na página 31.

Guia de resolução de problemas...

PROBLEMA! A FERRAMENTA NÃO CORTA COM PRECISÃO

CAUSA

1. A guia não foi ajustada corretamente.
2. O disco não está perpendicular à guia.
3. Uso de força excessiva para o corte.
4. A peça a ser cortada se move.

SOLUÇÃO

1. Faça as verificações e ajustes necessários. Consulte a seção **Funcionamento da guia**, na página 32.
2. Faça as verificações e ajustes necessários.
3. Diminua a força de corte. Deixe o disco fazer o trabalho.
4. Prenda firmemente a peça a ser cortada. Consulte a seção **Como prender e apoiar o material**, na página 31. Assegure-se de que o material esteja bem assentado contra a base.

PROBLEMA! NÃO É POSSÍVEL MOVER O BRAÇO

CAUSA

1. A corrente de travamento está engatada.

SOLUÇÃO

1. Empurre ligeiramente o braço do motor para baixo, solte a corrente e levante o braço.

PROBLEMA! O MATERIAL SE MOVE DURANTE O CORTE

CAUSA

1. A guia está deslizando ou a peça a ser cortada foi colocada ou presa incorretamente.
2. O torno está folgado demais.
3. Uso de força excessiva para o corte.

SOLUÇÃO

1. Consulte a seção **Como prender e apoiar o material**, na página 31.
2. Aperte o torno.
3. Diminua a força de corte.

SOLAMENTE PARA PROPÓSITO DE ARGENTINA:
IMPORTADO POR: BLACK & DECKER ARGENTINA S.A.
PACHECO TRADE CENTER
COLECTORA ESTE DE RUTA PANAMERICANA
KM. 32.0 EL TALAR DE PACHECO
PARTIDO DE TIGRE
BUENOS AIRES (B1618FBQ)
REPÚBLICA DE ARGENTINA
NO. DE IMPORTADOR: 1146/66
TEL. (011) 4726-4400

SOLAMENTE PARA PROPÓSITO DE MÉXICO:
IMPORTADO POR: BLACK & DECKER S.A. DE C.V.
BOSQUES DE CIDROS, ACCESO RADIATAS NO. 42
3A. SECCIÓN DE BOSQUES DE LAS LOMAS
DELEGACIÓN CUAJIMALPA,
05120, MÉXICO, D.F.
TEL. (52) 555-326-7100
R.F.C.: BDE810626-1W7

IMPORTED BY/IMPORTADO POR:
BLACK & DECKER DO BRASIL LTDA.
ROD. BR 050, S/Nº - KM 167
DIST. INDUSTRIAL II
UBERABA - MG - CEP: 38064-750
CNPJ: 53.296.273/0001-91
INSC. EST.: 701.948.711.00-98
S.A.C.: 0800-703-4644

MAQUINAS Y HERRAMIENTAS BLACK & DECKER CHILE S.A.
AVDA. EDUARDO FREI M. #6001 EDIFICIO 67
CONCHALI-SANTIAGO
CHILE

HECHO EN CHINA
FABRICADO NA CHINA
MADE IN CHINA

DEWALT Industrial Tool Co., 701 East Joppa Road, Baltimore, MD 21286
(AUG11) Part No. N096694 D28710 Copyright © 2011 DEWALT

The following are trademarks for one or more DEWALT power tools: the yellow and black color scheme, the "D" shaped air intake grill, the array of pyramids on the handgrip, the kit box configuration, and the array of lozenge-shaped humps on the surface of the tool.