

**Questions? See us on the World Wide Web at www.dewalt.com
¿Dudas? Visítenos en Internet: www.dewalt.com
Dúvidas? Visite-nos na Internet em www.dewalt.com.br**

**INSTRUCTION MANUAL
MANUAL DE INSTRUCCIONES
MANUAL DE INSTRUÇÕES**

INSTRUCTIVO DE OPERACIÓN, CENTROS DE SERVICIO Y PÓLIZA DE GARANTÍA. **ADVERTENCIA:** LÉASE ESTE INSTRUCTIVO ANTES DE USAR EL PRODUCTO.

INSTRUÇÕES DE OPERAÇÃO, CENTRO DE SERVIÇOS E CERTIFICADO DE GARANTIA. **ADVERTÊNCIA:** LEIA ESTAS INSTRUÇÕES ANTES DE UTILIZAR O PRODUTO.

DEWALT®

D25501

1-9/16" (40 mm) SDS Max® Hammers / Martillo de 1-9/16" (40 mm) SDS Max® / Martelo 1-9/16" (40mm) SDS Max®

D25601

1-3/4" (45 mm) SDS Max® Demolition Hammer / Martillo Demolidor de 1-3/4" (45 mm) SDS Max® / Martelo Demolidor

1-3/4" (45 mm) SDS Max®

D25602

1-3/4" (45 mm) SDS Max® Hammers / Martillo de 1-3/4" (45 mm) SDS Max® / Martelo 1-3/4" (45 mm) SDS Max®

D25831, D25851

SDS Max® and Spline Chipping Hammers / Martillos de burilado SDS Max® y estriados / Marteleles de raspagem de ranhura e SDS Max®

Definitions: Safety Guidelines

The definitions below describe the level of severity for each signal word. Please read the manual and pay attention to these symbols.

▲ DANGER: Indicates an imminently hazardous situation which, if not avoided, **will** result in **death or serious injury**.

▲ WARNING: Indicates a potentially hazardous situation which, if not avoided, **could** result in **death or serious injury**.

▲ CAUTION: Indicates a potentially hazardous situation which, if not avoided, **may** result in **minor or moderate injury**.

NOTICE: Indicates a practice **not related to personal injury** which, if not avoided, **may result in property damage**.



WARNING: To reduce the risk of injury, read the instruction manual.

General Power Tool Safety Warnings



WARNING! Read all safety warnings and all instructions
Failure to follow the warnings and instructions may result in electric shock, fire and/or serious injury.

SAVE ALL WARNINGS AND INSTRUCTIONS FOR FUTURE REFERENCE

The term "power tool" in the warnings refers to your mains-operated (corded) power tool or battery-operated (cordless) power tool.

1) WORK AREA SAFETY

- a) **Keep work area clean and well lit.** Cluttered or dark areas invite accidents.
- b) **Do not operate power tools in explosive atmospheres, such as in the presence of flammable liquids, gases or dust.** Power tools create sparks which may ignite the dust or fumes.

- c) **Keep children and bystanders away while operating a power tool.** Distractions can cause you to lose control.

2) ELECTRICAL SAFETY

- a) **Power tool plugs must match the outlet. Never modify the plug in any way. Do not use any adapter plugs with earthed (grounded) power tools.** Unmodified plugs and matching outlets will reduce risk of electric shock.
- b) **Avoid body contact with earthed or grounded surfaces such as pipes, radiators, ranges and refrigerators.** There is an increased risk of electric shock if your body is earthed or grounded.
- c) **Do not expose power tools to rain or wet conditions.** Water entering a power tool will increase the risk of electric shock.
- d) **Do not abuse the cord. Never use the cord for carrying, pulling or unplugging the power tool. Keep cord away from heat, oil, sharp edges or moving parts.** Damaged or entangled cords increase the risk of electric shock.
- e) **When operating a power tool outdoors, use an extension cord suitable for outdoor use.** Use of a cord suitable for outdoor use reduces the risk of electric shock.
- f) **If operating a power tool in a damp location is unavoidable, use a ground fault circuit interrupter (GFCI) protected supply.** Use of a GFCI reduces the risk of electric shock.

3) PERSONAL SAFETY

- a) **Stay alert, watch what you are doing and use common sense when operating a power tool. Do not use a power tool while you are tired or under the influence of drugs, alcohol or medication.** A moment of inattention while operating power tools may result in serious personal injury.
- b) **Use personal protective equipment. Always wear eye protection.** Protective equipment such as dust mask, non-

skid safety shoes, hard hat, or hearing protection used for appropriate conditions will reduce personal injuries.

- c) **Prevent unintentional starting. Ensure the switch is in the off position before connecting to power source and/or battery pack, picking up or carrying the tool.** Carrying power tools with your finger on the switch or energising power tools that have the switch on invites accidents.
 - d) **Remove any adjusting key or wrench before turning the power tool on.** A wrench or a key left attached to a rotating part of the power tool may result in personal injury.
 - e) **Do not overreach. Keep proper footing and balance at all times.** This enables better control of the power tool in unexpected situations.
 - f) **Dress properly. Do not wear loose clothing or jewellery. Keep your hair, clothing and gloves away from moving parts.** Loose clothes, jewellery or long hair can be caught in moving parts.
 - g) **If devices are provided for the connection of dust extraction and collection facilities, ensure these are connected and properly used.** Use of dust collection can reduce dust-related hazards.
- 4) POWER TOOL USE AND CARE**
- a) **Do not force the power tool. Use the correct power tool for your application.** The correct power tool will do the job better and safer at the rate for which it was designed.
 - b) **Do not use the power tool if the switch does not turn it on and off.** Any power tool that cannot be controlled with the switch is dangerous and must be repaired.
 - c) **Disconnect the plug from the power source and/or the battery pack from the power tool before making any adjustments, changing accessories, or storing power tools.** Such preventive safety measures reduce the risk of starting the power tool accidentally.

- d) **Store idle power tools out of the reach of children and do not allow persons unfamiliar with the power tool or these instructions to operate the power tool.** Power tools are dangerous in the hands of untrained users.
 - e) **Maintain power tools. Check for misalignment or binding of moving parts, breakage of parts and any other condition that may affect the power tool's operation. If damaged, have the power tool repaired before use.** Many accidents are caused by poorly maintained power tools.
 - f) **Keep cutting tools sharp and clean.** Properly maintained cutting tools with sharp cutting edges are less likely to bind and are easier to control.
 - g) **Use the power tool, accessories and tool bits etc., in accordance with these instructions taking into account the working conditions and the work to be performed.** Use of the power tool for operations different from those intended could result in a hazardous situation.
- 5) SERVICE**
- a) **Have your power tool serviced by a qualified repair person using only identical replacement parts.** This will ensure that the safety of the power tool is maintained.

Additional Safety Instructions for Rotary Hammers

- **Wear ear protectors.** Exposure to noise can cause hearing loss.
- **Use auxiliary handles supplied with the tool.** Loss of control can cause personal injury.
- **Hold power tools by insulated gripping surfaces when performing an operation where the cutting tool may contact hidden wiring or its own cord.** Contact with a "live" wire will make exposed metal parts of the tool "live" and shock the operator.

- **Use clamps or other practical way to secure and support the workpiece to a stable platform.** Holding the work by hand or against your body is unstable and may lead to loss of control.
- **Wear safety goggles or other eye protection.** Hammering operations cause chips to fly. Flying particles can cause permanent eye damage. Wear a dust mask or respirator for applications that generate dust. Ear protection may be required for most applications.
- **Keep a firm grip on the tool at all times. Do not attempt to operate this tool without holding it with both hands.** It is recommended that the side handle be used at all times. Operating this tool with one hand will result in loss of control. Breaking through or encountering hard materials such as re-bar may be hazardous as well. Tighten the side handle securely before use.
- **Do not operate this tool for long periods of time.** Vibration caused by hammer action may be harmful to your hands and arms. Use gloves to provide extra cushion and limit exposure by taking frequent rest periods.
- **Do not recondition bits yourself.** Chisel reconditioning should be done by an authorized specialist. Improperly reconditioned chisels could cause injury.
- **Wear gloves when operating tool or changing bits.** Accessible metal parts on the tool and bits may get extremely hot during operation. Small bits of broken material may damage bare hands.
- **Never lay the tool down until the bit has come to a complete stop.** Moving bits could cause injury.
- **Do not strike jammed bits with a hammer to dislodge them.** Fragments of metal or material chips could dislodge and cause injury.
- **Slightly worn chisels can be resharpened by grinding.**

NOTE: Do not overheat the bit (discoloration) while grinding a new edge. Badly worn chisels require reforging. Do not reharden and temper the chisel.

- **Keep the power cord away from the rotating bit. Do not wrap the cord around any part of your body.** An electric cord wrapped around a spinning bit may cause personal injury and loss of control.
- **Air vents often cover moving parts and should be avoided.** Loose clothes, jewellery or long hair can be caught in moving parts.
- **An extension cord must have adequate wire size for safety.** An undersized cord will cause a drop in line voltage resulting in loss of power and overheating. When using more than one extension to make up the total length, be sure each individual extension contains at least the minimum wire size. The following table shows the correct size to use depending on cord length and nameplate ampere rating. If in doubt, use the next heavier gauge. The smaller the gauge number, the heavier the cord.

Voltage (Volts)	Total length of cord in meters (m)			
120 - 127V	0 - 7	7 - 15	15 - 30	30 - 50
220 - 240V	0 - 15	15 - 30	30 - 60	60 - 100
Rated Ampere range	Minimal cross-sectional area of the cord in meters (mm ²)			
0 - 6A	1.0	1.5	1.5	2.5
6 - 10A	1.0	1.5	2.5	4.0
10 - 12A	1.5	1.5	2.5	4.0
12 - 16A	2.5	4.0	Not Recommended	

⚠ WARNING: Always use eye protection. All users and bystanders must wear eye protection that conforms to ANSI Z87.1.

⚠ WARNING: Always wear proper personal hearing protection that conforms to ANSI S12.6 (S3.19) during use. Under some conditions and duration of use, noise from this product may contribute to hearing loss.

⚠ WARNING: ALWAYS use safety glasses. Everyday eyeglasses are NOT safety glasses. Also use face or dust mask if cutting operation is dusty. ALWAYS WEAR CERTIFIED SAFETY EQUIPMENT:

- ANSI Z87.1 eye protection (CAN/CSA Z94.3),
- ANSI S12.6 (S3.19) hearing protection,
- NIOSH/OSHA/MSHA respiratory protection.

⚠ WARNING: Some dust created by power sanding, sawing, grinding, drilling, and other construction activities contains chemicals known to cause cancer, birth defects or other reproductive harm. Some examples of these chemicals are:

- lead from lead-based paints,
- crystalline silica from bricks and cement and other masonry products, and
- arsenic and chromium from chemically-treated lumber (CCA).

Your risk from these exposures varies, depending on how often you do this type of work. To reduce your exposure to these chemicals: work in a well ventilated area, and work with approved safety equipment, such as those dust masks that are specially designed to filter out microscopic particles.

- **Avoid prolonged contact with dust from power sanding, sawing, grinding, drilling, and other construction activities. Wear protective clothing and wash exposed areas with soap and water.** Allowing dust to get into your mouth, eyes, or lay on the skin may promote absorption of harmful chemicals.

⚠ WARNING: Use of this tool can generate and/or disburse dust, which may cause serious and permanent respiratory or other injury. Always use NIOSH/OSHA approved respiratory protection appropriate for the dust exposure. Direct particles away from face and body.

- The label on your tool may include the following symbols. The symbols and their definitions are as follows:

V	volts	A.....	amperes
Hz	hertz	W.....	watts
min	minutes	~	alternating current
==	direct current	⌚	alternating or direct current
Ⓛ	Class I Construction (grounded)	n _o	no load speed
Ⓜ	Class II Construction (double insulated)	Ⓧ	earthing terminal
.../min ...	per minute	▲	safety alert symbol
IPM	impact per minute	BPM..	beats per minute
		RPM..	revolutions per minute

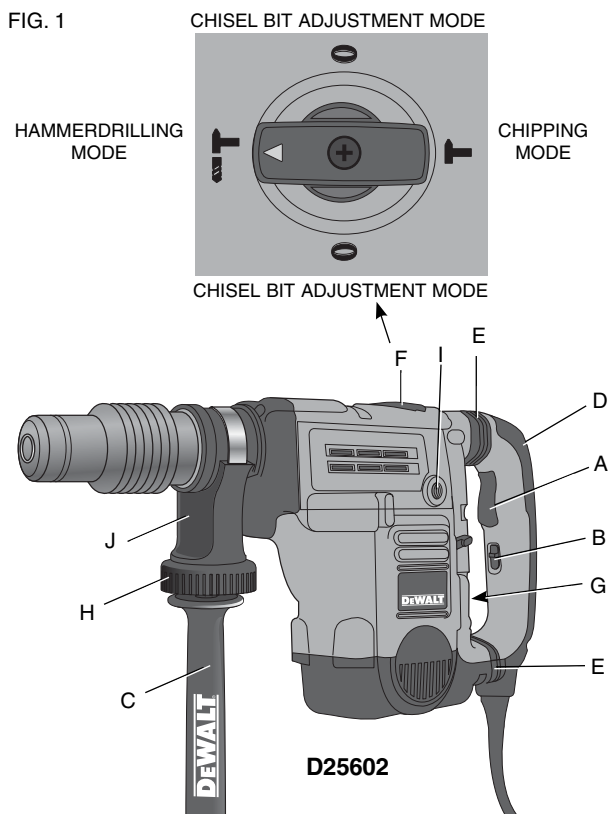
Motor

Your DEWALT tool is powered by a DEWALT-built motor. Be sure your power supply agrees with the nameplate markings. Voltage decrease of more than 10% will cause loss of power and overheating. All DEWALT tools are factory tested.

COMPONENTS (Fig. 1)

⚠ WARNING: Never modify the power tool or any part of it. Damage or personal injury could result.

- | | |
|-----------------------------|---|
| A. Trigger switch | F. Mode selector |
| B. Lock-on slider | G. Electronic Speed and impact control dial |
| C. Side handle | H. Clamp knob |
| D. Main handle | I. Rear side handle position |
| E. Active vibration control | |



INTENDED USE

These heavy-duty rotary hammers have been designed for professional hammerdrilling, and chipping at various work sites (i.e., construction sites). **DO NOT** use under wet conditions or in presence of flammable liquids or gases.

This heavy-duty rotary hammer is a professional power tool. **DO NOT** let children come into contact with the tool. Supervision is required when inexperienced operators use this tool.

ASSEMBLY AND ADJUSTMENTS

⚠ WARNING: To reduce the risk of injury, turn unit off and disconnect machine from power source before installing and removing accessories, before adjusting or changing set-ups or when making repairs. Be sure the trigger switch is in the OFF position. An accidental start-up can cause injury.

Side Handle (Fig. 1)

⚠ WARNING: To reduce the risk of personal injury, **ALWAYS** operate the tool with the side handle properly installed and securely tightened. Failure to do so may result in the side handle slipping during tool operation and subsequent loss of control. Hold tool with both hands to maximize control.

The side handle clamps to the front barrel (collar) and may be rotated 360° to permit right or left-hand use. For operating convenience, the side handle can be installed in front or rear positions.

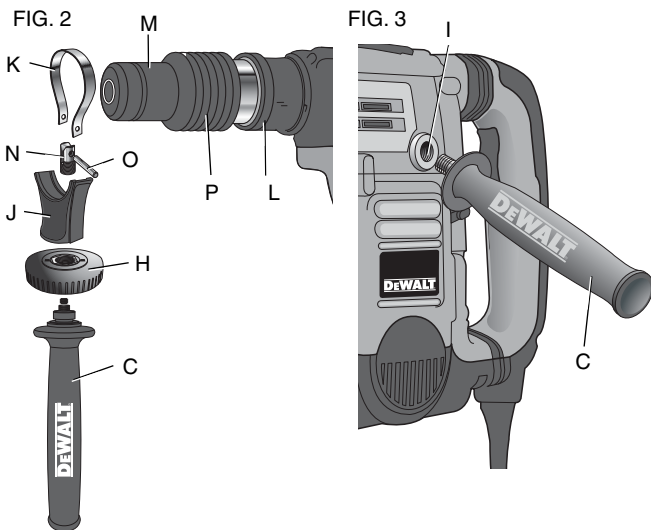
TO MOUNT IN FRONT POSITION (FIG. 2)

1. Unscrew the side handle (C) and disassemble the side handle clamp (J).
2. Snap the steel ring (K) over the collar (L) behind the tool holder (M). Squeeze both ends of the steel ring together. Mount the bushing (N) and insert the pin (O).
3. Slide the side handle clamp (J) over the bushing and screw on the clamp knob (H) –do not tighten.
4. Screw the side handle (C) into the clamp knob (H) and tighten.

5. Rotate the side handle mounting assembly to the desired position. For hammerdrilling horizontally with a heavy drill bit, place the side handle assembly at an angle of approximately 20° to the tool for optimum control.
6. Lock the side handle mounting assembly in place by tightening the clamp knob (H).

TO MOUNT IN REAR POSITION (FIG. 3)

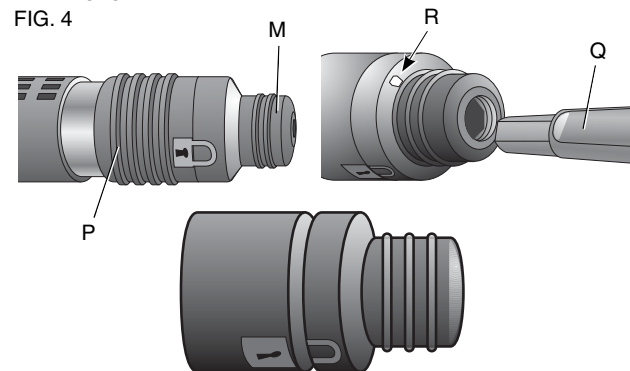
1. Unscrew the side handle (C) and remove it from the side handle mounting assembly. Leave the side handle mounting assembly in the front position.
2. Screw the side handle directly into one of the rear side handle positions (I) on either side of the tool.



Active Vibration Control (Fig. 1)

D25602, D25831, D25851

For best vibration control, hold the tool with one hand on the main handle (D) and the other hand on the side handle (C). Apply just enough pressure so the damping device on the main handle is approximately midstroke. The hammer only needs enough pressure to engage the active vibration control. Applying too much pressure will not make the tool drill or chip faster and active vibration control will not engage.



Inserting and Removing Spline Drive Accessories (Fig. 4)

D25851

⚠ WARNING: To reduce the risk of serious personal injury, turn tool off and disconnect tool from power source before making any adjustments or removing/installing attachments or accessories.

1. Insert the bit shank into the tool holder (M) as far as it will go. The groove on the chisel shank (Q) must be aligned with the

symbol (R) on the toolholder. If inserted correctly, the locking sleeve (P) moves back to the end position and shows a closed lock symbol.

2. Pull on the bit to be sure that it is properly locked.
3. If the chisel groove is not aligned with the symbol, or is not inserted to the complete depth the lock symbol remains open. To remove the bit, pull back the locking sleeve and pull the bit out.

Inserting and Removing SDS Max® Accessories

D25501, D25602, D25831

⚠ WARNING: To reduce the risk of serious personal injury, turn tool off and disconnect tool from power source before making any adjustments or removing/installing attachments or accessories.

1. Pull back the locking sleeve (P) and insert the bit shank. The bit shank must be clean.
2. Turn the bit slightly until the sleeve snaps back into position.
3. Ensure the bit is properly engaged.

NOTE: The bit needs to move several centimeters in and out of the tool holder (M) when properly engaged.

4. To remove the bit, pull back the locking sleeve and pull the bit out.

Complete Torque Control (Fig. 5)

D25602

NOTICE: Always turn the tool off before changing torque control settings or damage to tool may result.

The Complete Torque Control (CTC) feature of this tool is designed to provide additional control with a two-stage clutch mechanism.

Clutch Setting 1 (S) is designed for most hammerdrilling applications and is designed to easily clutch out when the drill bit encounters re-bar or other foreign substances.

Clutch Setting 2 (T) is designed for higher torque applications such as core-bits and deep hole hammerdrilling and is designed to clutch out at a higher torque threshold.

Move the torque control lever (U) to setting 1 or 2 as needed for application.

NOTE: Allow the motor housing to rotate a little while changing torque.

Each time the tool is plugged in, it will automatically default to clutch setting 1, the most sensitive setting.

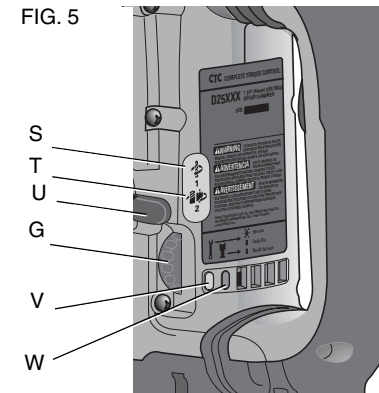
Electronic Speed and Impact Control (Fig. 5)

D25602, D25831, D25851

The electronic speed and impact control allows the use of smaller drill bits without the risk of bit breakage, hammerdrilling into light and brittle materials without shattering and optimal tool control for precise chipping.

To set the control dial, turn the dial (G) to the desired level. The higher the number, the greater the speed and impact energy. Dial settings make the tool extremely adaptable for many different applications. The required setting depends on the bit size and hardness of material being drilled.

FIG. 5



Mode Selector (Fig. 1)

⚠ CAUTION: Never change the mode while the unit is running.

⚠ CAUTION: Do not change to hammerdrill mode with chisel bit in tool holder. Personal injury and damage to tool may result.

The D25501, D25553, D25601, D25602 uses two operating modes. To select the required operating mode, rotate the mode selector (F) until the arrow points to the hammerdrilling or the chipping icon. The D25831 uses only the chipping mode.

HAMMERDRILLING MODE (⚡T)

The tool simultaneously rotates and impacts the work. This mode is appropriate for all concrete and masonry operations.

CHIPPING MODE (T)

The spindle lock is engaged during chipping mode so the tool impacts the work without rotating. This mode is appropriate for light chipping, chiseling and demolition applications.

NOTE: In chipping mode, the hammerdrill can also be used as a lever to free a jammed drill bit.

CHISEL BIT ADJUSTMENT (O)

Turn the mode selector to one of the chisel bit adjustment icons to adjust the chisel to the desired position. There are 18 possible positions to set the angle of the chisel. After finding the desired position, slightly maneuver the chisel bit back and forth to ensure the chisel is properly engaged.

Power Indicator Lights (Fig. 5)

The yellow brushwear indicator LED (V) lights up when the carbon brushes are nearly worn out indicating that the tool needs servicing within the next 8 hours of use.

The red indicator LED (W) lights up if the lock-on slider (B) is used in any mode except the chipping mode.

The red indicator LED (W) flashes if there is a fault with the tool or if the brushes are completely worn (refer to **Brushes** under **Maintenance**).

OPERATION

⚠ WARNING: Always observe the safety instructions and applicable regulations.

⚠ WARNING: To reduce the risk of serious personal injury, turn tool off and disconnect tool from power source before making any adjustments or removing/installing attachments or accessories.

⚠ WARNING: To reduce the risk of personal injury, ALWAYS ensure workpiece is anchored or clamped firmly. If drilling thin material, use a wood "back-up" block to prevent damage to the material.

⚠ WARNING: To reduce the risk of personal injury, ALWAYS operate the tool with the side handle properly installed and securely tightened. Failure to do so may result in the side handle slipping during tool operation and subsequent loss of control. Hold tool with both hands to maximize control.

Proper Hand Position (Fig. 1)

⚠ WARNING: To reduce the risk of serious personal injury, ALWAYS use proper hand position as shown.

⚠ WARNING: To reduce the risk of serious personal injury, ALWAYS hold securely in anticipation of a sudden reaction.

Proper hand position requires one hand on the side handle (C), with the other hand on the main handle (D).

NOTE: Operating temperature of this tool is 19° to 104° F (-7 to +40° C). Using the tool outside of this temperature range will decrease the life of the tool.

Trigger Switch (Fig. 1)

To turn the tool on, depress the trigger switch (A). To stop the tool, release the trigger switch.

D25602

In chipping mode only, lock the trigger switch on, push the lock-on slider (B) upwards while depressing the trigger switch.

To deactivate the lock-on slider, depress the trigger switch once then release.

The lock-on slider may only be activated in chipping mode. The machine will stop running when trying to engage the lock-on slider in hammerdrilling mode. The motor will stop if the lock-on slider is activated when changing from chisel mode into hammerdrilling mode.

D25831, D25851

For continuous operation, move the toggle switch to the on position. To stop continuous operation, move the toggle switch to the off position.

SOFT START FEATURE

The soft start feature allows you to build up speed slowly, thus preventing the drill bit from walking off the intended hole position when starting. The soft start feature also reduces the immediate torque reaction transmitted to the gearing and the operator if the hammer is started with the drill bit in an existing hole.

Hammerdrilling with a Solid Bit**D25501, D25601, D25602**

NOTE: The D25831, D25851 has only chipping modes with no hammerdrilling capability.

1. Set the mode selector (F) to hammerdrilling mode.
2. For D25602 only, move the torque control lever (U) to Setting 1 (S).
3. Set the speed and impact control dial (G).
4. Insert the appropriate drill bit.
5. Adjust the side handle (front or rear position) (C).

6. Mark the spot where the hole is to be drilled.
7. Place the drill bit on that mark and depress the trigger switch (A).
8. Apply only enough pressure to engage active vibration control (refer to **Active Vibration Control**).
9. To stop the tool, release the trigger switch. Always turn the tool off when work is finished and before unplugging.

Hammerdrilling with a Core Bit**D25501, D25601, D25602**

⚠ CAUTION: Do not use a core bit for hammerdrilling wood. Personal injury and damage to tool may result.

NOTE: The D25831, D25851 has only chipping modes with no hammerdrilling capability.

1. Set the mode selector (F) to hammerdrilling mode.
2. For D25602 only, move the torque control lever (U) to Setting 2 (T).
3. Turn the speed and impact control dial (G) to the maximum speed (level 7).
4. Adjust the side handle (front or rear position) (C).
5. Assemble the centering bit and adapter shank into core bit.
6. Mark the spot where the hole is to be drilled.
7. Place the centering bit on that mark and depress the trigger switch (A).

NOTE: Some core drills require the removal of centering bit after about 1 cm of penetration. If so, remove and continue hammerdrilling.

8. When hammerdrilling through a structure thicker than the depth of the core bit, break away the round cylinder of concrete or core inside the bit at regular intervals. To avoid unwanted breaking away of concrete around the hole, first drill

a hole the diameter of the centering bit completely through the structure. Then drill the cored hole halfway from each side of the structure.

- To stop the tool, release the trigger switch. Always turn the tool off when work is finished and before unplugging.

Chipping

D25831, D25851

- Set the mode selector (F) to chipping mode.
- Set the impact control dial (G) to desired setting (refer to **Electronic Speed and Impact Control**).
- Insert the appropriate chisel and rotate it by hand to lock it into the desired position.

NOTE: For SDS Max® models, only use SDS Max® bits.

- Adjust the side handle (front or rear position) (C).
- Depress the trigger switch (A).
- Apply only enough pressure to engage active vibration control (refer to **Active Vibration Control**).
- To stop the tool, release the trigger switch. Always turn the tool off when work is finished and before unplugging.

MAINTENANCE

Your DEWALT power tool has been designed to operate over a long period of time with a minimum of maintenance. Continuous satisfactory operation depends upon proper tool care and regular cleaning.

⚠ WARNING: *To reduce the risk of injury, turn unit off and disconnect tool from power source before installing and removing accessories, before making any adjustments or removing/installing attachments or accessories.*

Cleaning

⚠ WARNING: *Blow dirt and dust out of all air vents with dry air at least once a week. Wear proper ANSI Z87.1 (CAN/CSA Z94.3) eye protection and proper NIOSH/OSHA/MSHA respiratory protection when performing this.*

⚠ WARNING: *Never use solvents or other harsh chemicals for cleaning the non-metallic parts of the tool. These chemicals may weaken the plastic materials used in these parts. Use a cloth dampened only with water and mild soap. Never let any liquid get inside the tool; never immerse any part of the tool into a liquid.*

Lubrication

Your tool was properly lubricated before leaving the factory. In from two to six months, depending upon use, take or send your tool to an authorized service center for a complete cleaning, inspection and lubrication. Tools used constantly on production jobs will need relubrication more often. Also, tools “out of service” for long periods should be relubricated before being put back to work.

Accessories

⚠ WARNING: *Since accessories, other than those offered by DEWALT, have not been tested with this product, use of such accessories with this tool could be hazardous. To reduce the risk of injury, only DEWALT, recommended accessories should be used with this product.*

Recommended accessories for use with your tool are available at extra cost from your local dealer or authorized service center.

	MAXIMUM CAPACITY			
	D25501	D25601	D25602	D25831
Concrete	1-9/16" (40 mm)	1-9/16" (40 mm)	1-3/4" (45 mm)	–
RPM	490	490	210–415	–
No load BPM	3300	3300	1430–2840	1430–2840

Repairs

To assure product SAFETY and RELIABILITY, repairs, maintenance and adjustment (including brush inspection and replacement) should be performed by authorized service centers or other qualified service personnel, always using identical replacement parts.

	SPECIFICATIONS			
	D25501	D25601	D25602	D25831
Voltage:	120 V AC ~	120 V AC ~	120 V AC ~	120 V AC ~
Current	12 A	12 A	13.5 A	13.5 A
Frequency:	50–60 Hz	50–60 Hz	50–60 Hz	50–60 Hz
Watts	1100 W	1200 W	1200 W	1200 W
RPM:	490/min	210–415/min	210–415/min	–
Beats per minute (BPM)	3300	1430–2840	1430–2840	1430–2840 bpm

Definiciones: Normas de seguridad


Las siguientes definiciones describen el nivel de gravedad de cada advertencia. Lea el manual y preste atención a estos símbolos.

⚠ **PELIGRO:** indica una situación de peligro inminente que, si no se evita, **provocará la muerte o lesiones graves.**


⚠ **ADVERTENCIA:** Indica una situación de peligro potencial que, si no se evita, **podría provocar la muerte o lesiones graves**

⚠ **ATENCIÓN:** Indica una situación de peligro potencial que, si no se evita, **puede provocar lesiones leves o moderadas.**

AVISO: Se refiere a una práctica **no relacionada a lesiones corporales** que de no evitarse **puede resultar en daños a la propiedad.**

 **ADVERTENCIA:** para reducir el riesgo de lesiones, lea el manual de instrucciones.

Advertencias generales de seguridad para las herramientas eléctricas

 **ADVERTENCIA:** Lea todas las advertencias de seguridad e instrucciones. El incumplimiento de las advertencias o instrucciones puede provocar descargas eléctricas, incendios o lesiones graves.

GUARDE LAS ADVERTENCIAS E INSTRUCCIONES PARA PODER CONSULTARLAS EN EL FUTURO

El término "herramienta eléctrica" incluido en todas las advertencias se refiere a su herramienta eléctrica conectada a la red (cable eléctrico) o a su herramienta eléctrica accionada con baterías (inalámbrica).

1) SEGURIDAD DEL ÁREA DE TRABAJO

- a) **Mantenga el área de trabajo limpia y bien iluminada.** Las áreas abarrotadas u oscuras propician accidentes.
- b) **No haga funcionar las herramientas eléctricas en atmósferas explosivas, como ambientes donde haya polvo, gases o líquidos inflamables.** Las herramientas eléctricas originan chispas que pueden encender el polvo o producir humo.
- c) **Mantenga alejados a los niños y a los espectadores de la herramienta eléctrica en funcionamiento.** Las distracciones pueden provocar la pérdida de control.

2) SEGURIDAD ELÉCTRICA

- a) **Los enchufes de la herramienta eléctrica deben adaptarse a la toma de corriente. Nunca modifique el enchufe de ninguna manera. No utilice ningún enchufe adaptador con herramientas eléctricas con conexión a tierra.** Los enchufes no modificados y que se adaptan a las tomas de corrientes reducirán el riesgo de descarga eléctrica.
- b) **Evite el contacto corporal con superficies con toma de tierra como, por ejemplo, tuberías, radiadores, cocinas y refrigeradores.** Existe mayor riesgo de descarga eléctrica si su cuerpo está puesto a tierra.
- c) **No exponga las herramientas eléctricas a la lluvia ni a condiciones de humedad.** Si entra agua en una herramienta eléctrica, aumentará el riesgo de descarga eléctrica.
- d) **No use el cable indebidamente. Nunca utilice el cable para transportar, tirar o desenchufar la herramienta eléctrica. Mantenga el cable alejado del calor, el aceite, los bordes afilados o las piezas móviles.** Los cables dañados o enredados aumentan el riesgo de descarga eléctrica.
- e) **Al operar una herramienta eléctrica en el exterior, utilice un cable prolongador adecuado para tal uso.** Utilice un cable adecuado para uso en exteriores a fin de reducir el riesgo de descarga eléctrica.

- f) **Si no se puede evitar el uso de una herramienta eléctrica en una zona húmeda, utilice un dispositivo de corriente residual (residual current device, RCD) de seguridad.** El uso de un RCD reduce el riesgo de sufrir una descarga eléctrica.

3) SEGURIDAD PERSONAL

- a) **Permanezca alerta, controle lo que está haciendo y utilice el sentido común cuando emplee una herramienta eléctrica. No utilice una herramienta eléctrica si está cansado o bajo el efecto de drogas, alcohol o medicamentos.** Un momento de descuido mientras se opera una herramienta eléctrica puede provocar lesiones personales graves.
- b) **Utilice equipo de seguridad personal. Utilice siempre protección ocular.** El uso de equipo de seguridad, como mascarillas para polvo, calzado de seguridad antideslizante, cascos o protección auditiva en las condiciones adecuadas reducirá las lesiones personales.
- c) **Evite poner en marcha la herramienta involuntariamente. Asegúrese de que el interruptor está apagado antes de conectar la fuente de alimentación y/o la batería, coger o transportar la herramienta.** Transportar herramientas eléctricas con su dedo apoyado sobre el interruptor o enchufar herramientas eléctricas con el interruptor en la posición de encendido puede propiciar accidentes.
- d) **Retire la clavija de ajuste o la llave de tuercas antes de encender la herramienta eléctrica.** Una llave de tuercas o una clavija de ajuste que quede conectada a una pieza giratoria de la herramienta eléctrica puede provocar lesiones personales.
- e) **No se estire demasiado. Conserve el equilibrio y posicione adecuadamente en todo momento.** Esto permite un mejor control de la herramienta eléctrica en situaciones inesperadas.

- f) **Use la vestimenta adecuada. No use ropas holgadas ni joyas. Mantenga el cabello, la ropa y los guantes alejados de las piezas en movimiento.** Las ropas holgadas, las joyas o el cabello largo pueden quedar atrapados en las piezas en movimiento.
- g) **Si se suministran dispositivos para la conexión de accesorios con fines de recolección y extracción de polvo, asegúrese de que estén conectados y que se utilicen correctamente.** El uso del extractor de polvo puede reducir los riesgos relacionados con el polvo.

4) USO Y MANTENIMIENTO DE LA HERRAMIENTA ELÉCTRICA

- a) **No fuerce la herramienta eléctrica. Utilice la herramienta eléctrica correcta para el trabajo que realizará.** La herramienta eléctrica correcta hará el trabajo mejor, y de un modo más seguro, a la velocidad para la que fue diseñada.
- b) **No utilice la herramienta eléctrica si no puede encenderla o apagarla con el interruptor.** Las herramientas que no puedan ser controladas con el interruptor constituyen un peligro y deben repararse.
- c) **Desconecte el enchufe de la fuente de alimentación o la batería de la herramienta eléctrica antes de realizar cualquier ajuste, cambio de accesorios o almacenar las herramientas eléctricas.** Estas medidas de seguridad preventivas reducen el riesgo de encender la herramienta eléctrica de forma accidental.
- d) **Guarde la herramienta eléctrica que no esté en uso fuera del alcance de los niños y no permita que otras personas no familiarizadas con ella o con estas instrucciones operen la herramienta.** Las herramientas eléctricas son peligrosas si son operadas por usuarios que no tienen formación.

- e) **Mantenimiento de las herramientas eléctricas.** Revise que no haya piezas en movimiento mal alineadas o trabadas, piezas rotas o cualquier otra situación que pueda afectar el funcionamiento de las herramientas eléctricas. Si encuentra daños, haga reparar la herramienta eléctrica antes de utilizarla. Se producen muchos accidentes a causa de las herramientas eléctricas que carecen de un mantenimiento adecuado.
- f) **Mantenga las herramientas de corte afiladas y limpias.** Las herramientas de corte con mantenimiento adecuado y con los bordes de corte afilados son menos propensas a trabarse y son más fáciles de controlar.
- g) **Utilice las herramientas eléctricas, sus accesorios y piezas, etc. de acuerdo con las presentes instrucciones, teniendo siempre en cuenta las condiciones de trabajo y el trabajo que deba llevar a cabo.** El uso de la herramienta eléctrica para operaciones diferentes de aquellas para las que fue diseñada podría originar una situación peligrosa.

5) MANTENIMIENTO

- a) **Solicite a una persona cualificada en reparaciones que realice el mantenimiento de su herramienta eléctrica y que solo utilice piezas de repuesto idénticas.** Esto garantizará la seguridad de la herramienta eléctrica.

Instrucciones de seguridad adicionales para los rotomartillos

- **Utilice protectores auditivos.** La exposición a ruidos puede causar pérdida auditiva.
- **Utilice los mangos auxiliares que vienen con la herramienta.** Perder el control de la herramienta podría causar lesiones corporales.
- **Sostenga la herramienta eléctrica por sus superficies de empuñadura aisladas cuando realice una operación en la**

cual la herramienta para cortar pudiera entrar en contacto con instalaciones eléctricas ocultas o con su propio cable. El contacto con un conductor "activo" hará que las piezas metálicas de la herramienta que estén expuestas a él conduzcan electricidad y que el operador reciba una descarga eléctrica.

- **Use abrazaderas u otra manera práctica de fijar y sujetar la pieza de trabajo a una plataforma estable.** Sujetar la pieza con la mano o contra el cuerpo es inestable y resultará en que pierda el control.
- **Lleve lentes de seguridad u otra protección ocular.** Las operaciones de martilleo provocan la expulsión de virutas. Las partículas despedidas pueden provocar lesiones irreversibles en los ojos. Lleve una mascarilla antipolvo o un respirador cuando realice aplicaciones que generen polvo. En la mayoría de las aplicaciones puede ser necesaria una protección auditiva.
- **Mantenga siempre la herramienta bien sujeta. No opere la herramienta si no puede sujetarla con ambas manos.** Es recomendable usar siempre el mango lateral. Si opera esta herramienta con una sola mano, perderá el control de la misma. Atravesar o topar con materiales duros, tales como un refuerzo posterior, también podría resultar peligroso. Ajuste bien el mango lateral antes de usar la herramienta.
- **No opere esta herramienta durante períodos largos de tiempo.** La vibración provocada por la acción de percusión puede ser peligrosa para sus manos y brazos. Utilice guantes para mayor amortiguación y descanse con frecuencia para limitar el riesgo de exposición.
- **No renueve las brocas usted mismo.** La renovación de las brocas debe realizarla un especialista autorizado. Una broca mal renovada puede provocar lesiones.
- **Lleve guantes al operar la herramienta y al cambiar las brocas.** Las piezas metálicas de la herramienta y las brocas

pueden calentarse mucho durante la operación. Los pequeños trozos de material roto pueden dañar las manos desprotegidas.

- **Nunca suelte la herramienta hasta que la broca haya dejado de girar totalmente.** Las brocas en movimiento pueden provocar lesiones.
- **Si una broca se atasca, no la golpee con un martillo para desbloquearla.** Podrían saltar fragmentos de metal o virutas de material y provocar lesiones.
- **Las brocas ligeramente desgastadas pueden afilarse de nuevo.**

NOTA: No sobrecaliente la broca (decoloración) mientras la afila de nuevo. Las brocas muy gastadas precisan un reforjado. No reendurezca ni temple la broca.

- **Mantenga el cable alejado de la broca en movimiento. No enrolle el cable alrededor de ninguna parte de su cuerpo.** Un cable eléctrico enrollado alrededor de una broca que gira puede provocar lesiones y pérdida de control.
- **Los orificios de ventilación suelen cubrir piezas en movimiento, por lo que también se deben evitar.** Las partes móviles pueden atrapar las prendas de vestir sueltas, las joyas y el cabello.
- **Los hilos del alargador deben ser de un calibre apropiado para su seguridad.** Un cable de un calibre insuficiente causará una caída en la tensión de la línea dando por resultado una pérdida de energía y sobrecalentamiento. Cuando se utilice más de un alargador para completar el largo total, asegúrese que los hilos de cada alargador tengan el calibre mínimo. La tabla siguiente muestra el tamaño correcto a utilizar, dependiendo de la longitud del cable y del amperaje nominal de la placa de identificación. Si tiene dudas sobre cuál calibre usar, use un calibre mayor.

Tensión (Volts)	Longitud del cable en metros (m)			
120 - 127V	0 - 7	7 - 15	15 - 30	30 - 50
220 - 240V	0 - 15	15 - 30	30 - 60	60 - 100
Corriente nominal (Ampéres)	Sección nominal mínima del cable en milímetros cuadrados (mm ²)			
0 - 6A	1,0	1,5	1,5	2,5
6 - 10A	1,0	1,5	2,5	4,0
10 - 12A	1,5	1,5	2,5	4,0
12 - 16A	2,5	4,0	No recomendado	

⚠ADVERTENCIA: Siempre use protección ocular. Todos los usuarios y personas circunstantes deben llevar protección ocular en conformidad con ANSI Z87.1.

⚠ADVERTENCIA: Siempre lleve la debida protección auditiva personal en conformidad con ANSI S12.6 (S3.19) durante el uso de esta herramienta. Bajo algunas condiciones y duraciones de uso, el ruido producido por este producto puede contribuir a la pérdida auditiva.

⚠ADVERTENCIA: Use SIEMPRE lentes de seguridad. Los anteojos de uso diario NO son lentes de seguridad. Utilice también máscaras faciales o para polvo si los cortes producen polvillo. UTILICE SIEMPRE EQUIPOS DE SEGURIDAD CERTIFICADOS:

- Protección para los ojos ANSI Z87.1 (CAN/CSA Z94.3),
- Protección auditiva ANSI S12.6 (S3.19),
- Protección respiratoria según las normas NIOSH/OSHA/MSHA.

⚠ADVERTENCIA: Parte del polvo creado al lijar, aserruchar, moler o perforar con máquina, así como al realizar otras actividades de la construcción, contiene sustancias químicas que se sabe producen cáncer, defectos congénitos u otras afecciones reproductivas. Algunos ejemplos de esas sustancias químicas son:

- plomo de pinturas a base de plomo,

- sílice cristalizado de ladrillos y cemento y otros productos de albañilería, y
- arsénico y cromo de la madera químicamente tratada (CCA).

El riesgo al contacto con estas sustancias varía, según la frecuencia en que se haga este tipo de trabajo. Para reducir la exposición a esas sustancias químicas: trabaje en un área bien ventilada, y trabaje con equipos de seguridad aprobados, tales como máscaras contra el polvo especialmente diseñadas para filtrar las partículas microscópicas.

- **Evite el contacto prolongado con polvos originados por lijar, aserrar, esmerilar, taladrar y otras actividades constructivas. Vista ropas protectoras y lave las áreas expuestas con agua y jabón.** Permitir que el polvo se introduzca en su boca, ojos, o dejarlo sobre la piel promueve la absorción de químicos dañinos.

⚠ADVERTENCIA: La utilización de esta herramienta puede originar polvo o dispersarlo, lo que podría causar daños graves y permanentes al sistema respiratorio, así como otras lesiones. Siempre use protección respiratoria aprobada por NIOSH/OSHA, apropiada para su uso en condiciones de exposición al polvo. Procure que las partículas no se proyecten directamente sobre su rostro o su cuerpo.

- La etiqueta de la herramienta puede incluir los siguientes símbolos. A continuación se indican los símbolos y sus definiciones:

V	voltios	A	amperios
Hz	hertz	W	vatios
min	minutos	~	corriente alterna
⎓ ...	corriente directa	⌚	corriente alterna o directa
Ⓜ	Construcción Clase I (con conexión a tierra)	n _o	velocidad sin carga

☐	Construcción Clase II (con aislamiento doble)	⊕	terminal a tierra
.../min .	por minuto	⚠	símbolo de alerta de seguridad
IPM	impactos por minutos	GPM	golpes por minuto
RPM....	revoluciones o reciprocidad por minuto		

Motor

Esta herramienta DEWALT está impulsada por un motor fabricado por DEWALT. Compruebe que el suministro eléctrico concuerde con el indicado en la placa de características. Una reducción del voltaje superior al 10% provocará pérdida de potencia y sobrecalentamiento. Todas las herramientas DEWALT se prueban de fábrica.

DESCRIPCIÓN (Fig. 1)

⚠ADVERTENCIA: Nunca modifique la herramienta eléctrica ni ninguna pieza de esta. Puede producir daños o lesiones corporales.

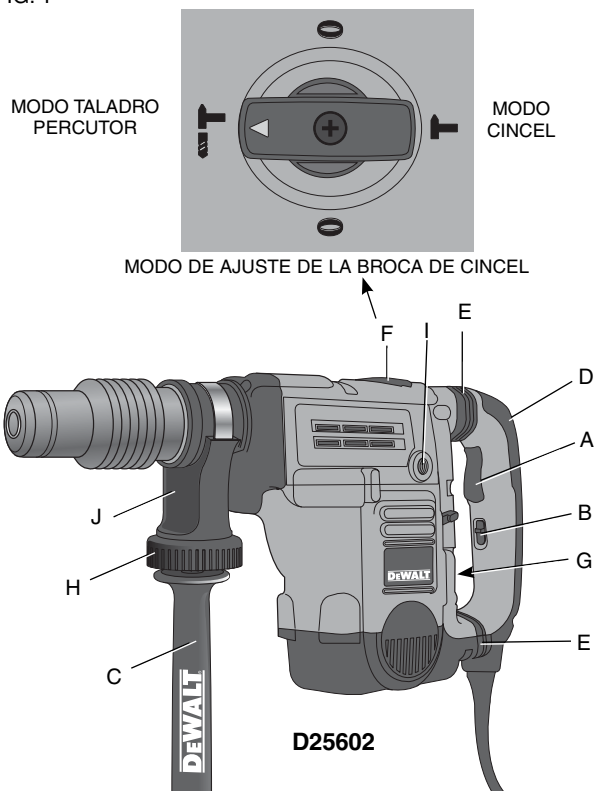
- | | |
|--------------------------------|---|
| A. Interruptor de gatillo | G. Selector de control electrónico de la velocidad y el impacto |
| B. Pieza deslizante de bloqueo | H. Perilla de soporte |
| C. Agarradera lateral | I. Posición trasera de la agarradera lateral |
| D. Agarradera principal | |
| E. Control de vibración activa | |
| F. Selector de modalidad | |

USO DEBIDO

Estos rotomartillos para trabajos pesados han sido diseñados para el taladrado con percusión y corte por capas realizado a nivel profesional en diversos sitios de trabajo (por ejemplo, sitios de construcción). **NO** utilice la herramienta en condiciones de humedad o en la presencia de líquidos o gases inflamables.

Este rotomartillo es una herramienta eléctrica profesional. **NO** permita que los niños toquen la herramienta. Si el operador no tiene experiencia operando esta herramienta, su uso deberá ser supervisado.

FIG. 1 MODO DE AJUSTE DE LA BROCA DE CINCEL



MONTAJE Y AJUSTES

⚠ ADVERTENCIA: Para reducir el riesgo de lesiones, apague y desconecte la máquina de la fuente de energía antes de instalar y de retirar los accesorios, antes de regular o cambiar los ajustes o cuando se realicen reparaciones. Compruebe que el interruptor esté en la posición OFF. Un encendido accidental puede causar lesiones.

Mango lateral (Fig. 1)

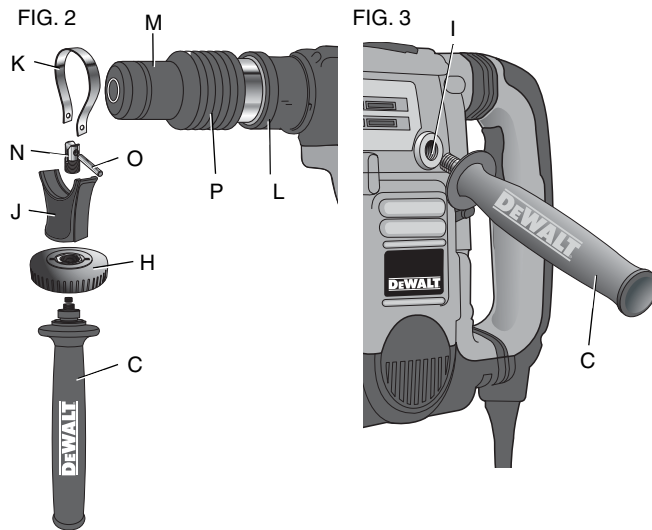
⚠ ADVERTENCIA: Para reducir el riesgo de lesiones corporales, **SIEMPRE** opere la herramienta con el mango lateral debidamente instalado y ajustado. El incumplimiento con lo anterior podría resultar en que el mango lateral se suelte durante la operación de la herramienta y que el operador pierda el control como consecuencia. Sostenga la herramienta con ambas manos para maximizar control.

La agarradera lateral se sujeta al cilindro frontal (collarín) y se puede girar 360° para permitir su uso con la mano derecha o izquierda. Para mayor comodidad, la agarradera lateral puede montarse en las posiciones delantera o trasera.

MONTAJE EN LA POSICIÓN DELANTERA (FIG. 2)

1. Desatornille la agarradera lateral (C) y desmonte el soporte de la agarradera lateral (J).
2. Cierre el anillo de acero (K) sobre el collarín (L) situado detrás del portaherramientas (M). Apriete ambos extremos del anillo de acero uno contra el otro. Monte el casquillo (N) e inserte la clavija (O).
3. Deslice la abrazadera de la agarradera lateral (J) sobre el casquillo y atornille sobre la perilla de soporte (H); no apriete.
4. Atornille la agarradera lateral (C) en la perilla de soporte (H) y apriete.

- Haga girar el conjunto de montaje de la agarradera lateral hasta la posición deseada. Si debe taladrar con percusión horizontalmente con una broca para trabajos pesados, para lograr un control óptimo coloque el conjunto de la agarradera con un ángulo de unos 20° respecto a la herramienta.
- Fije en su sitio el conjunto de montaje de la agarradera lateral apretando la perilla de soporte (H).



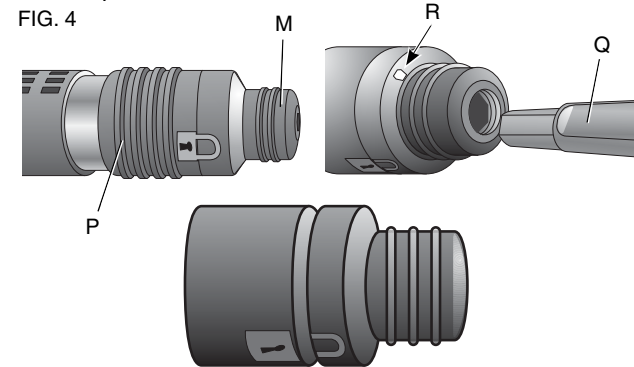
MONTAJE EN LA POSICIÓN TRASERA (FIG. 3)

- Desatornille la agarradera lateral (C) y retírela del conjunto de montaje de la agarradera lateral. Deje el conjunto de montaje de la agarradera lateral en la posición frontal.
- Atornille la agarradera lateral directamente en una de las posiciones traseras (I) situadas a uno y otro lado de la herramienta.

Control de vibración activa (Fig. 1)

D25602, D25831, D25851

Para un mejor control de la vibración, sostenga la herramienta con una mano en la agarradera principal (D) y la otra en la agarradera lateral (C). Aplique solamente suficiente presión para que el dispositivo amortiguador sobre la agarradera principal quede aproximadamente a la mitad de su recorrido. El martillo sólo requiere una cantidad suficiente de presión para activar el control de vibración activa. La herramienta no taladrará ni cortará con mayor rapidez, ni se activará el control de vibración activa si se aplica más presión de la necesaria.



Inserción y desmontaje de accesorios estriados (Fig. 4)

D25851

⚠ADVERTENCIA: Para reducir el riesgo de lesiones corporales graves, apague la herramienta y desconéctela de la fuente de alimentación antes de realizar ajustes o de quitar o poner accesorios.

1. Inserte el vástago de la broca en el portaherramientas (M) tanto como pueda. El surco sobre el vástago del cincel (Q) debe estar alineado con el símbolo (R) sobre el portaherramientas. Si está insertado correctamente, el manguito de bloqueo (P) retrocede a la posición extrema y muestra un símbolo de candado cerrado.
2. Tire de la broca para comprobar que esté bien sujeta.
3. Si el surco del cincel no está alineado con el símbolo, o no está completamente insertado, el símbolo de candado permanece abierto.

Para retirar la broca, tire del manguito de bloqueo y extraiga la broca.

Inserción y desmontaje de accesorios SDS Max®

D25501, D25602, D25831

⚠ADVERTENCIA: Para reducir el riesgo de lesiones corporales graves, apague la herramienta y desconéctela de la fuente de alimentación antes de realizar ajustes o de quitar o poner accesorios.

1. Tire hacia atrás del manguito de bloqueo (P) e inserte el vástago de la broca. El vástago de la broca debe estar limpio.
2. Gire ligeramente la broca hasta que el manguito vuelva a su posición.
3. Cerciórese que la broca esté engranada en forma apropiada.

NOTA: La broca necesita moverse varios centímetros adentro y afuera del portaherramientas (M) cuando está engranado en forma apropiada.

4. Para retirar la broca, tire del manguito de bloqueo y extraiga la broca.

Control completo del par de torsión (Fig. 5)

D25602

AVISO: Siempre apague la herramienta antes de cambiar los ajustes de control del par de torsión o podría dañar la herramienta.

La función de Control completo del par de torsión (CTC) de esta herramienta está diseñada para proporcionar control adicional con un mecanismo de embrague en dos etapas.

La configuración de embrague 1 (S) está orientada a la mayoría de aplicaciones de taladrado de percusión y está diseñada para desembragar fácilmente cuando la broca encuentre varillas de refuerzo u otras sustancias extrañas.

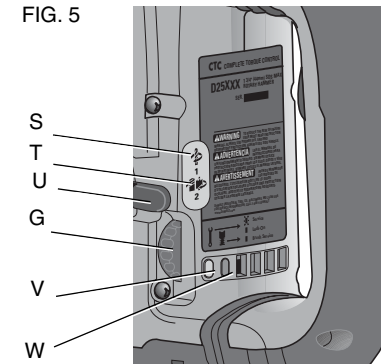
La configuración de embrague 2 (T) está orientada a aplicaciones con mayor par de torsión, tales como barrenas huecas y taladrado de percusión de orificios profundos, y está diseñada para desembragar al pasar un mayor umbral de par de torsión.

Desplace la palanca de control del par de torsión (U) a la configuración 1 ó 2 según lo requiera la aplicación.

NOTA: Permita que la carcasa del motor gire un poco al cambiar el par de torsión.

Cada vez que se enchufa la herramienta se pondrá automáticamente en la configuración de embrague 1, la configuración más sensible.

FIG. 5



Control electrónico de la velocidad y el impacto (Fig. 5)

D25602, D25831, D25851

El control electrónico de la velocidad y el impacto permite usar brocas más pequeñas sin riesgo de romperlas; taladrar con percusión en materiales ligeros y frágiles sin astillarlos, y tener un control óptimo para un burilado preciso.

Para fijar el selector de control, gire el selector (G) al nivel deseado. Cuanto más alto sea el número, mayores serán la velocidad y la energía de impacto. Los valores del selector permiten que la herramienta resulte extremadamente adaptable para muchas aplicaciones diversas. El valor adecuado depende del tamaño de la broca y la dureza del material taladrado.

Selector de modo (Fig. 1)

⚠ ATENCIÓN: Nunca cambie el modo mientras que la unidad esté funcionando.

⚠ ATENCIÓN: No cambie a la modalidad de taladro percutor con la broca para cincelado en el portaherramientas. Podrían presentarse lesiones corporales y daños a la herramienta.

Los D25501, D25553, D25601, D25602 utilizan dos modos operativos. Para seleccionar el modo operativo requerido, gire el selector de modalidad (F) hasta que la flecha apunte al ícono de taladrado de percusión o de burilado. El D25831 solamente utiliza el modo de burilado.

MODO DE TALADRADO DE PERCUSIÓN (T)

La herramienta gira e impacta el trabajo simultáneamente. Este modo es adecuado para todas las operaciones sobre hormigón y mampostería.

MODO DE BURILADO (T)

El seguro del eje está engranado durante el modo de burilado de tal modo que la herramienta impacta el trabajo sin rotación. Este

modo es adecuado para trabajos livianos de burilado, cincelado y demolición.

NOTA: En modo de burilado, el taladro percutor también puede usarse como palanca para liberar una broca atascada.

AJUSTE DE LA BROCA PARA CINCELADO (O)

Gire el selector de modalidad hasta uno de los íconos de ajuste de la broca para cincelado para ajustar el cincel a la posición deseada. Existen 18 posiciones posibles para ajustar el ángulo del cincel. Después de encontrar la posición deseada, maniobre suavemente la broca para cincelado hacia atrás y hacia adelante para cerciorarse de que el cincel esté engranado en forma apropiada.

Luces indicadoras de energía (Fig. 5)

El indicador LED amarillo del desgaste de escobillas (V) se enciende cuando las escobillas de carbón estén casi desgastadas, indicando que la herramienta necesita servicio dentro de las próximas 8 horas de uso.

El indicador LED rojo (W) se enciende si la pieza deslizante de bloqueo (B) es utilizada en cualquier modo distinto al modo de burilado.

El indicador LED rojo (W) destella si se presenta una avería en la herramienta, o si las escobillas están completamente desgastadas (refiérase a **Escobillas** bajo **Mantenimiento**).

FUNCIONAMIENTO

⚠ ADVERTENCIA: Respete siempre las instrucciones de seguridad y la reglamentación aplicable.

⚠ ADVERTENCIA: Para reducir el riesgo de lesiones corporales graves, apague la herramienta y desconéctela de la fuente de alimentación antes de realizar ajustes o de quitar o poner accesorios.

⚠ADVERTENCIA: Para reducir el riesgo de lesiones corporales, SIEMPRE asegúrese de que la pieza de trabajo esté debidamente sujeta. Si va a perforar un material delgado, utilice un bloque de madera como “respaldo” para evitar dañarlo.

⚠ADVERTENCIA: Para reducir el riesgo de lesiones corporales, SIEMPRE opere la herramienta con el mango lateral debidamente instalado y ajustado. El incumplimiento con lo anterior podría resultar en que el mango lateral se suelte durante la operación de la herramienta y que el operador pierda el control como consecuencia. Sostenga la herramienta con ambas manos para maximizar control.

Bien colocar las manos (Fig. 1)

⚠ADVERTENCIA: Para reducir el riesgo de lesiones personales, SIEMPRE coloque bien las manos, tal como se muestra.

⚠ADVERTENCIA: Para reducir el riesgo de lesiones personales, SIEMPRE debe de sujetar la herramienta correctamente para anticipar reacciones súbitas.

Mantenga una mano sobre el mango lateral (C) y la otra sobre el mango principal (D) para sujetar la máquina correctamente.

NOTA: La temperatura de operación de esta herramienta es -7 a +40 °C (19° a 104 °F). El utilizar la herramienta por fuera de este rango de temperatura disminuirá la vida útil de la herramienta.

Interruptor de gatillo (Fig. 1)

Para encender la herramienta, apriete el interruptor de gatillo (A). Para detener la herramienta, suelte el interruptor de gatillo.

D25602

Sólo en el modo de burilado, bloquee el interruptor de gatillo, empuje la pieza deslizante de bloqueo (B) hacia arriba mientras presiona el interruptor de gatillo.

Para desactivar la pieza deslizante de bloqueo, presione una vez el interruptor de gatillo y suelte a continuación.

La pieza deslizante de bloqueo solamente puede ser activada en el modo de burilado. La máquina dejará de operar cuando se intente engranar la pieza deslizante de bloqueo en el modo de taladrado de percusión. El motor se detendrá si la pieza deslizante para bloqueo en encendido es activada al cambiar del modo de cincelado al modo de taladrado de percusión.

D25831, D25851

Para operación continua, desplace el conmutador basculante a la posición de encendido. Para detener la operación continua, desplace el conmutador basculante a la posición de apagado.

FUNCIÓN DE ARRANQUE PROGRESIVO

La función de arranque progresivo permite aumentar la velocidad lentamente, de modo que la broca no se mueva de la posición de taladrado al arrancar. La función de arranque progresivo también reduce la reacción de par inmediata transmitida al engranaje y al operador si el martillo arranca con la broca en un agujero que ya exista.

Taladrado con brocas sólidas

D25501, D25601, D25602

NOTA: Los D25831, D25851 solamente tienen modos de burilado, sin capacidad para taladrado de percusión.

1. Coloque el selector de modalidad (F) en el modo de taladrado de percusión.
2. Únicamente para D25602, mueva la palanca de control del par de torsión (U) a la configuración 1 (S).
3. Fije el selector de control de la velocidad y el impacto (G).
4. Inserte la broca adecuada.
5. Ajuste la agarradera lateral (posición frontal o trasera) (C).
6. Marque el punto donde debe taladrarse el agujero.
7. Coloque la broca sobre esa marca y presione el interruptor de gatillo (A).

8. Aplique solamente suficiente presión para engranar el control de vibración activa (Refiérase a **Control de vibración activa**).
9. Para detener la herramienta, suelte el interruptor de gatillo. Siempre apague la herramienta al terminar el trabajo y antes de desenchufar.

Taladrado con barrenas huecas

D25501, D25601, D25602

⚠ ATENCIÓN: No utilice una barrena hueca para taladrado de percusión en madera. Podrían presentarse lesiones corporales y daños a la herramienta.

NOTA: Los D25831, D25851 solamente tienen modos de burilado, sin capacidad para taladrado de percusión.

1. Coloque el selector de modalidad (F) en el modo de taladrado de percusión.
2. Únicamente para D25602, mueva la palanca de control del par de torsión (U) a la configuración 2 (T).
3. Gire el selector de control de impacto (G) a la velocidad máxima (nivel 7).
4. Ajuste la agarradera lateral (posición frontal o trasera) (C).
5. Monte la broca de centrado y el adaptador en la barrena hueca.
6. Marque el punto donde debe taladrarse el agujero.
7. Coloque la broca de centrado sobre esa marca y presione el interruptor de gatillo (A).

NOTA: Algunas barrenas huecas precisan que se quite la broca de centrado después de una penetración de aproximadamente 1 cm. Si es así, retire y continúe con el taladrado de percusión.

8. Al efectuar taladrado de percusión a través de una estructura más gruesa que la profundidad de la barrena hueca, quite periódicamente el cilindro de hormigón o el núcleo del interior de la barrena. Para evitar la rotura del hormigón alrededor del orificio, taladre antes un agujero del diámetro de la broca de

centrado a lo largo de toda la estructura. Luego barrene el agujero, la mitad desde cada lado de la estructura.

9. Para detener la herramienta, suelte el interruptor de gatillo. Siempre apague la herramienta al terminar el trabajo y antes de desenchufar.

Burilado

D25831, D25851

1. Coloque el selector de modalidad (F) en el modo de burilado.
2. Coloque el selector de control de impacto (G) en la configuración deseada (refiérase a **Control electrónico de la velocidad y el impacto**).

3. Inserte el cincel adecuado y gírelo a mano para fijarlo en la posición deseada.

NOTA: Utilice solamente brocas SDS Max® para los modelos SDS Max®.

4. Ajuste la agarradera lateral (posición frontal o trasera) (C).
5. Presione el interruptor de gatillo (A).
6. Aplique solamente suficiente presión para engranar el control de vibración activa (Refiérase a **Control de vibración activa**).
7. Para detener la herramienta, suelte el interruptor de gatillo. Siempre apague la herramienta al terminar el trabajo y antes de desenchufar.

MANTENIMIENTO

Su herramienta DEWALT ha sido diseñada para funcionar durante un largo período con un mínimo de mantenimiento. Un funcionamiento continuo satisfactorio depende del cuidado adecuado de la herramienta y de una limpieza periódica.

⚠ ADVERTENCIA: Para minimizar el riesgo de graves lesiones personales, apague la herramienta y desconecte la batería antes de realizar ajustes o quitar/installar los acoples o accesorios. Un encendido accidental puede causar lesiones.

Limpieza

⚠️ ADVERTENCIA: Limpie la suciedad y el polvo de las rejillas de ventilación con aire seco al menos una vez por semana. Lleve protección ocular ANSI Z87.1 (CAN/CSA Z94.3) debida y protección respiratoria NIOSH/OSHA/MSHA debida cuando haga esto.

⚠️ ADVERTENCIA: Nunca utilice solventes u otros químicos fuertes cuando limpie las piezas no metálicas de la herramienta. Estos químicos pueden debilitar los materiales de plástico utilizados en estas piezas. Use un paño humedecido con agua y jabón suave. Jamás permita que le entre líquido a la herramienta; nunca sumerja ninguna parte de la herramienta.

Lubricación

Su herramienta fue debidamente lubricada antes de dejar la fábrica. Lleve o envíe la herramienta a un centro de servicio certificado en dos a seis meses, dependiendo del nivel de uso para que se le haga una limpieza e inspección minuciosa. Las herramientas utilizadas constantemente en tareas de producción pueden requerir una lubricación más frecuente. Las herramientas que no son utilizadas por períodos largos de tiempo deberían volverse a lubricar antes de usarse nuevamente.

Accesorios

⚠️ ADVERTENCIA: Dado que algunos accesorios, diferentes de los ofrecidos por DEWALT, no se han probado con este producto, el empleo de tales accesorios podría constituir un riesgo. Para reducir el riesgo de lesiones, sólo deben usarse con el producto los accesorios recomendados DEWALT.

Si desea más información sobre los accesorios adecuados, consulte a su distribuidor.

CAPACIDADES MÁXIMAS RECOMENDADAS

	D25501	D25601	D25602	D25831
Hormigón	40 mm (1-9/16")	40 mm (1-9/16")	45 mm (1-3/4")	–
RPM	490	490	210–415	–
BPM				
sin carga	3 300	3 300	1 430–2 840	1 430–2 840

Reparaciones

Para garantizar la SEGURIDAD y la CONFIABILIDAD, deberán hacerse reparaciones, mantenimiento y ajustes de esta herramienta en los centros autorizados de servicio DEWALT u otras organizaciones autorizadas. Estas organizaciones prestan servicio a las herramientas DEWALT y emplean siempre refacciones legítimas DEWALT.

ESPECIFICACIONES

	D25501-AR	D25501-B2	D25601-B3	D25601-B2	D25602-AR	D25602-B2
Voltagem	220V~	220V~	120V~	220V~	220V~	220V~
Frecuencia	50 Hz	50-60 Hz	50-60 Hz	50-60 Hz	50 Hz	50-60 Hz
Watts	1 100W	1 100W	1 200 W	1 200 W	1 200 W	1 200 W
RPM	490/min	490/min	210-415/min	210-415/min	210-415/min	210-415/min
Impactos por min (imp)	3 300	3 300	3 300	3 300	1 430-2 830	1 430-2 830
	D25831-AR	D25831-B2				
Voltagem	220V~	220V~				
Frecuencia	50 Hz	50-60 Hz				
Watts	1 200 W	1 200W				
RPM	-	-				
Impactos por min (imp)	1 430-2 840	1 430-2 840				

Definições: Diretrizes de Segurança

As definições abaixo apresentadas descrevem o grau de gravidade correspondente a cada palavra de advertência. Leia cuidadosamente o manual e preste atenção a estes símbolos.

▲ PERIGO: Indica uma situação de risco iminente que, se não for evitada, resultará em morte ou ferimentos graves.

▲ AVISO: Indica uma situação de risco potencial que, se não evitada, poderá resultar em morte ou ferimentos graves.

▲ CUIDADO: Indica uma situação de risco potencial que, se não evitada, poderá resultar em ferimentos leves ou moderados.

AVISO: Se refere a una práctica **no relacionada a lesiones corporales** que de no evitarse **puede** resultar en **daños a la propiedad**.



AVISO: para reduzir o risco de ferimentos, leia o manual de instruções.

Regras Gerais de Segurança

▲ AVISO! Leia todas as instruções. Falha no seguir de todas as instruções listadas abaixo pode resultar em choque elétrico, fogo e/ou em ferimento sério. O termo "ferramenta" em todos os avisos listados abaixo referem-se a ferramenta alimentada através de seu cordão ou a ferramenta operada a bateria (sem cordão).

GUARDE ESTAS INSTRUÇÕES

1) ÁREA DE TRABALHO

- a) **Mantenha a área de trabalho limpa e iluminada.** As áreas desorganizadas e escuras são um convite aos acidentes.

- b) **Não opere ferramentas em atmosferas explosivas, como na presença de líquidos inflamáveis, gases ou poeira.** As ferramentas criam faíscas que podem inflamar a poeira ou os vapores.
- c) **Mantenha crianças e visitantes afastados ao operar uma ferramenta.** As distrações podem fazer você perder o controle.

2) SEGURANÇA ELÉTRICA

- a) **Os plugues da ferramenta devem ser compatíveis com as tomadas. Nunca modifique o plugue. Não use nenhum plugue adaptador com as ferramentas aterradas.** Os plugues sem modificações aliados a utilização de tomadas compatíveis reduzirão o risco de choque elétrico
- b) **Evite o contato do corpo com superfícies ligadas ao terra ou aterradas tais como as tubulações, radiadores, escalas e refrigeradores.** Há um aumento no risco de choque elétrico se seu corpo for ligado ao terra ou aterramento.
- c) **Não exponha a ferramentas à chuva ou às condições úmidas.** A água entrando na ferramenta aumentará o risco de choque elétrico.
- d) **Não force o cabo elétrico. Nunca use o cabo elétrico para carregar, puxar ou o para desconectar a ferramenta da tomada. Mantenha o cabo elétrico longe do calor, óleo, bordas afiadas ou das partes em movimentos.** Os cabos danificados ou emaranhados aumentam o risco de choque elétrico.
- e) **Ao operar uma ferramenta ao ar livre, use um cabo de extensão apropriado para o uso ao ar livre.** O uso de um cabo apropriado ao ar livre reduz o risco de choque elétrico.

3) SEGURANÇA PESSOAL

- a) **Fique atento, olhe o que você está fazendo e use o bom senso ao operar uma ferramenta. Não use a ferramenta**

quando você estiver cansado ou sob a influência de drogas, álcool ou de medicamentos. Um momento de desatenção enquanto opera uma ferramenta pode resultar em grave ferimento pessoal.

- b) Use equipamento de segurança. Sempre use óculos de segurança.** O equipamento de segurança tais como a máscara contra a poeira, sapatos de segurança antiderrapantes, capacete de segurança, ou protetor auricular usados em condições apropriadas reduzirão os ferimentos pessoais.
- c) Evite acidente inicial. Assegure que o interruptor está na posição desligada antes de conectar o plugue na tomada.** Carregar a ferramentas com seu dedo no interruptor ou conectar a ferramenta que apresenta o interruptor na posição “ligado” são um convite à acidentes.
- d) Remova qualquer chave de ajuste antes de ligar a ferramenta.** Uma chave de boca ou de ajuste unida a uma parte rotativa da ferramenta pode resultar em ferimento pessoal.
- e) Não force além do limite. Mantenha o apoio e o equilíbrio adequado todas as vezes que utilizar a ferramenta.** Isto permite melhor controle da ferramenta em situações inesperadas.
- f) Vista-se apropriadamente. Não use roupas demasiadamente largas ou jóias.** Mantenha seus cabelos, roupas e luvas longe das peças móveis. A roupa folgada, jóias ou cabelos longos podem ser presos pelas partes em movimento.
- g) Se os dispositivos são fornecidos com conexão para extração e coleta de pó, assegure que estes estão conectados e usados corretamente.** O uso destes dispositivos pode reduzir riscos relacionados a poeira.

4) USO E CUIDADOS DA FERRAMENTA

- a) Não force a ferramenta. Use a ferramenta correta para sua aplicação.** A ferramenta correta fará o trabalho melhor e mais seguro se utilizada dentro daquilo para a qual foi projetada.
- b) Não use a ferramenta se o interruptor não ligar e desligar.** Qualquer ferramenta que não pode ser controlada com o interruptor é perigosa e deve ser reparada.
- c) Desconecte o plugue da tomada antes de fazer qualquer tipo de ajuste, mudança de acessórios ou armazenamento de ferramentas.** Tais medidas de segurança preventivas reduzem o risco de se ligar a ferramenta acidentalmente.
- d) Guarde as ferramentas fora do alcance das crianças e não permitam que pessoas não familiarizadas com a ferramenta ou com estas instruções operem a ferramenta.** As ferramentas são perigosas nas mãos de usuários não treinados.
- e) Manutenção das ferramentas. Cheque o desalinhamento ou coesão das partes móveis, rachaduras e qualquer outra condição que possa afetar a operação da ferramenta. Se danificada, a ferramenta deve ser reparada antes do uso.** Muitos acidentes são causados pela pobre manutenção das ferramentas.
- f) Mantenha ferramentas de corte afiadas e limpas.** A manutenção apropriada das ferramentas de corte com lâminas afiadas, tornam estas menos prováveis ao emperramento e são mais fáceis de controlar.
- g) Use a ferramenta, acessórios, suas partes etc., de acordo com as instruções e na maneira designada para o tipo particular da ferramenta, levando em consideração as condições e o trabalho a ser desempenhado.** O uso da ferramenta em operações diferentes das designadas podem resultar em situações de risco.

5) REPAROS

- a) **Tenha sua ferramenta reparada por um agente de reparos qualificado e que somente use peças originais.** Isto irá assegurar que a segurança da ferramenta seja mantida.

Instruções de segurança adicionais para marteletes rotativos

- **Use sempre protetores auriculares.** A exposição a ruídos pode causar perda de audição.
- **Use as empunhaduras auxiliares fornecidas com a ferramenta.** A perda do controle da ferramenta pode causar lesões corporais.
- **Segure sempre uma ferramenta elétrica usando as empunhaduras isoladas ao fazer um trabalho onde a ferramenta de corte possa entrar em contato com uma fiação oculta ou com o cabo elétrico da própria ferramenta.** O contato com um fio “vivo” carregará as partes metálicas expostas da ferramenta e causará um choque elétrico no operador.
- **Use morsas, braçadeiras ou qualquer maneira prática para prender e apoiar a peça a ser trabalhada numa bancada estável.** Segurar a peça com as mãos ou contra seu corpo faz com que a peça fique instável e pode fazer com que você perca o controle dela.
- **Use sempre óculos de segurança ou outro tipo de proteção para os olhos.** O uso de um martelo ou uma furadeira pode projetar lascas ou estilhaços no ar. Ao serem projetadas no ar, estas partículas podem causar lesões permanentes aos olhos. Ao fazer trabalhos que produzam pó, use uma máscara contra pó ou um respirador. Quase todos os tipos de trabalho exigem a utilização de proteção para os ouvidos.
- **Sempre segure firmemente a ferramenta. Nunca tente operar a ferramenta sem segurá-la com as duas mãos.**

Recomendamos que você use sempre a empunhadura lateral fornecida com a ferramenta. Operar a ferramenta com apenas uma mão levará à perda de controle da ferramenta. Também pode ser perigoso perfurar completamente o material ou encontrar materiais duros como, por exemplo, uma barra de reforço. Aperte firmemente a empunhadura lateral antes de usar a ferramenta.

- **Não trabalhe com esta ferramenta durante períodos muito longos.** A vibração criada pelo martelamento pode ser prejudicial para suas mãos e seus braços. Sempre use luvas para ajudar a amortizar as vibrações e descanse com frequência para limitar sua exposição.
- **Nunca faça você mesmo o condicionamento de brocas.** O condicionamento de buris deve sempre ser feito por um especialista autorizado. Os buris condicionados incorretamente podem causar lesões.
- **Sempre use luvas ao operar a ferramenta ou trocar uma broca.** As partes metálicas da ferramenta e as brocas podem esquentar muito quando a ferramenta é usada. As partículas pequenas de material quebrado podem causar danos às mãos descobertas.
- **Nunca deite a ferramenta antes que ela tenha parado completamente de funcionar.** As brocas em movimento podem causar lesões.
- **Nunca tente soltar uma broca emperrada golpeando-a com um martelo.** Fragmentos de metal ou outros materiais poderiam ser projetados e causar lesões.
- **É possível esmerilhar os buris que apresentam pouco desgaste para afiá-los.**
NOTA: Não aqueça demasiadamente a broca (descoloração) ao esmerilhar uma nova ponta. Os buris muito gastos precisam ser forjados novamente. Nunca reendureça e tempere o buril.

- **Mantenha o cabo elétrico da ferramenta longe da broca quando ela estiver em rotação. Não enrole o fio da ferramenta ao redor de nenhuma parte de seu corpo. Um fio elétrico enrolado ao redor de uma broca em rotação pode causar danos físicos e perda de controle da ferramenta.**
- **Muitas vezes, os orifícios de ventilação cobrem peças móveis e, por isso, devem ser evitados. As roupas folgadas, adereços ou cabelos compridos podem ficar presos às partes móveis.**
- **Para sua segurança, os cabos de extensão devem ter um calibre adequado. Uma extensão de menor calibre causará uma queda de voltagem o que resultará em perda de potência e superaquecimento da ferramenta. Ao usar mais de uma extensão para completar o comprimento total, tenha certeza de que os fios de cada extensão têm pelo menos o calibre mínimo. A tabela a seguir indica o tamanho que deve ser usado em função do comprimento do cabo e da amperagem nominal. Em caso de dúvida, use um fio de maior capacidade. Quanto menor o número do calibre, maior será a capacidade do cabo.**

Tensão (Volts)	Comprimento do cabo de extensão em metros (m)				
	120 - 127V	0 - 7	7 - 15	15 - 30	30 - 50
220 - 240V	0 - 15	15 - 30	30 - 60	60 - 100	
Faixa de Corrente nominal (Ampères)	Secção mínima do cabo de extensão em milímetros quadrados (mm ²)				
	0 - 6A	1.0	1.5	1.5	2.5
	6 - 10A	1.0	1.5	2.5	4.0
	10 - 12A	1.5	1.5	2.5	4.0
	12 - 16A	2.5	4.0	Não Recomendado	

⚠ ATENÇÃO: Use sempre uma proteção para os olhos. Todos os usuários e outras pessoas presentes devem usar uma proteção para os olhos em conformidade com a norma ANSI Z87.1.

⚠ ATENÇÃO: Ao trabalhar com esta ferramenta, use sempre uma proteção adequada para seus ouvidos em conformidade com a norma ANSI S12.6 (S3.19). Sob algumas condições e dependendo do tempo de uso contínuo, o ruído produzido pela ferramenta pode contribuir para a perda da audição.

⚠ ATENÇÃO: Use **SEMPRE** óculos de segurança. Seus óculos de uso diário **NÃO** são óculos de segurança. Além disso, caso o trabalho de corte possa criar muito pó, use sempre uma máscara facial ou máscara contra pó. USE SEMPRE EQUIPAMENTOS DE SEGURANÇA CERTIFICADOS:

- Proteção para os olhos ANSI Z87.1 (CAN/CSA Z94.3),
- Proteção para os ouvidos ANSI S12.6 (S3.19),
- Proteção respiratória NIOSH/OSHA/MSHA.

⚠ ATENÇÃO: É possível que uma parte da poeira criada por algumas ferramentas elétricas de lixamento, serragem, esmerilhagem, perfuração e outras atividades de construção contenha substâncias químicas que comprovadamente causam câncer, defeitos congênitos ou problemas reprodutivos. Os seguintes são alguns exemplos desses produtos químicos:

- chumbo nas tintas à base de chumbo,
- sílica cristalina em tijolos, cimento e outros produtos de alvenaria, e
- arsênio e cromo em madeiras tratadas quimicamente com CCA (arseniato de cobre cromatado).

O risco de exposição a esses produtos varia dependendo da frequência de execução desse tipo de trabalho. A fim de reduzir sua exposição a essas substâncias químicas: trabalhe em áreas bem ventiladas e usando equipamentos de segurança aprovados como, por exemplo, máscaras contra pó fabricadas especialmente para impedir a passagem de partículas microscópicas.

- Evite o contato prolongado com o pó produzido por lixamento, serragem, esmerilhagem, perfuração e outras atividades de construção. Vista roupas protetoras e lave

com água e sabão as partes do corpo expostas. Permitir que o pó entre em contato com a boca, os olhos ou a pele pode provocar a absorção de produtos químicos nocivos pelo corpo.

⚠ ATENÇÃO: O uso desta ferramenta pode criar e/ou espalhar pó que pode causar lesões respiratórias e de outros tipos sérias e permanentes. Use sempre equipamentos adequados de proteção respiratória contra pó aprovados pelo NIOSH ou pela OSHA. Direcione as partículas para longe do rosto e do corpo.

- A etiqueta de sua ferramenta pode incluir os símbolos abaixo.

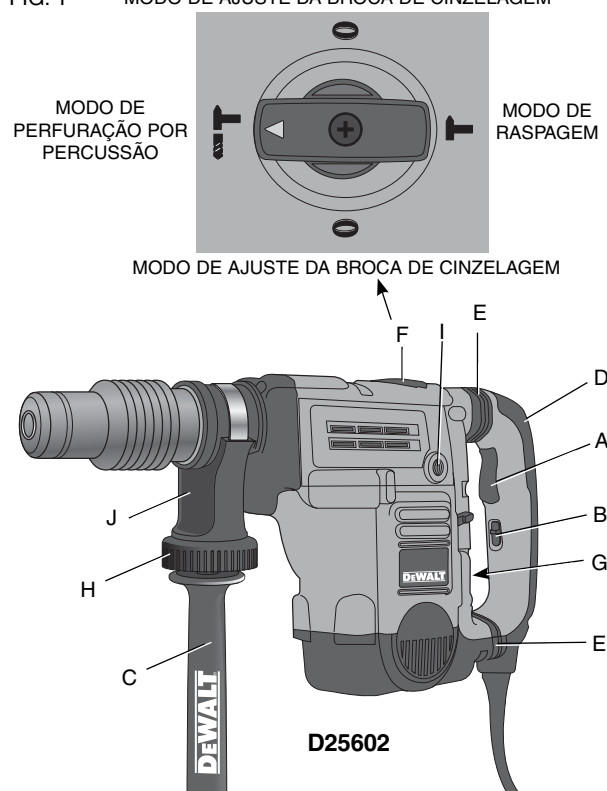
As definições de cada um deles são as seguintes:

V	volts	A	ampères
Hz	hertz	W	watts
min	minutos	~	corrente alternada
— — —	corrente contínua	⎓	corrente alternada ou contínua
⚠	Construção de Classe I (aterrado)	n ₀	rotações sem carga
⊕	terminal de aterramento	□	Construção de Classe II (isolamento duplo)
⚠	símbolo de alerta de segurança	BPM	batidas por minuto
.../min ...	por minuto	RPM ...	revoluções por minuto
IPM	impacto por minuto		

Motor

Sua ferramenta DEWALT utiliza um motor fabricado pela DEWALT. Certifique-se de que o tipo de energia elétrica fornecido por sua rede corresponde ao tipo indicado na placa do aparelho. Uma queda de voltagem de mais de 10% causará perda potência e superaquecimento da ferramenta. Todas as ferramentas fabricadas pela DEWALT são testadas na fábrica.

FIG. 1 MODO DE AJUSTE DA BROCA DE CINZELAGEM



Componentes (Fig. 1)

⚠ ATENÇÃO: Nunca tente fazer nenhuma modificação a uma ferramenta elétrica nem a nenhuma parte dela. Isto poderia causar ferimentos e danos materiais.

- | | |
|-------------------------------|---------------------------|
| A. Gatilho interruptor | G. Controle eletrônico de |
| B. Comutador de trava | velocidade e impacto |
| C. Empunhadura lateral | H. Rosca do suporte |
| D. Empunhadura principal | I. Posição traseira da |
| E. Controle de vibração ativa | empunhadura lateral |
| F. Seletor de modo | |

USO DEVIDO DA FERRAMENTA

Estes martelletes rotativos foram projetados para trabalhos profissionais de perfuração por percussão e cinzelagem em locais diferentes (ex.: canteiros de construção). **NUNCA** use a ferramenta na presença de umidade nem de líquidos ou gases inflamáveis.

Estes martelletes rotativos são ferramentas elétricas de uso profissional fabricadas para trabalhos pesados. **NUNCA** deixe que nenhuma criança se aproxime da ferramenta. Os usuários que não tenham experiência com esta ferramenta devem sempre ser supervisionados.

MONTAGEM E AJUSTES

⚠ ATENÇÃO: A fim de reduzir o risco de lesões corporais, sempre desligue o aparelho e retire-o da alimentação elétrica antes de instalar ou remover acessórios, fazer um ajuste, mudar o modo de operação ou fazer um conserto. Assegure-se de que o gatilho esteja na posição "OFF" (desligado). O acionamento acidental da ferramenta pode causar ferimentos.

Empunhadura lateral (Fig. 1)

⚠ ATENÇÃO: Para reduzir o risco de lesões corporais, **SEMPRE** opere a ferramenta com a empunhadura lateral devidamente

instalada. Caso contrário, a empunhadura lateral pode se soltar durante a operação da ferramenta e o operador pode perder o controle. Segure a ferramenta com as duas mãos a fim de ter um controle máximo.

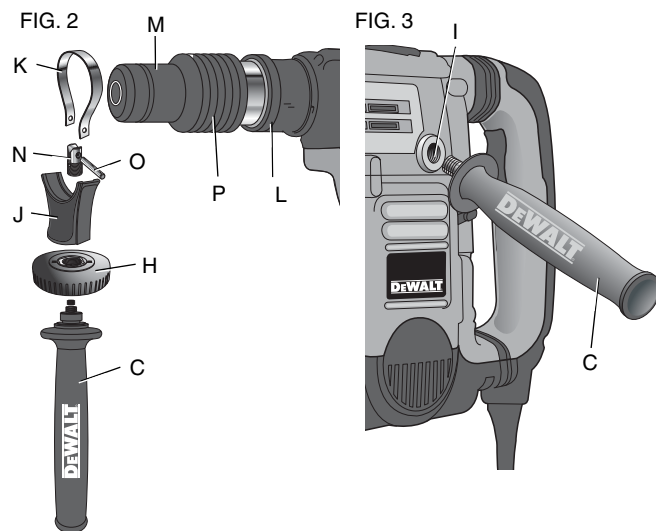
A empunhadura lateral pode ser montada no cano dianteiro (anel) e girada de 360° para que a ferramenta seja usada com a mão direita ou com a mão esquerda. Para sua conveniência, a empunhadura lateral pode ser instalada em posição frontal ou traseira.

COMO INSTALAR NA POSIÇÃO FRONTAL (FIG. 2)

1. Desparafuse a empunhadura lateral (C) e desmonte o suporte da empunhadura lateral (J).
2. Prenda a presilha de aço (K) por cima do anel (L) atrás do suporte da ferramenta (M). Aperte e junte as duas pontas do anel de aço. Monte a bucha (N) e instale o pino (O).
3. Passe a empunhadura lateral (J) por cima da bucha e aparafuse a rosca do suporte (H) – não aperte.
4. Aparafuse a empunhadura lateral (C) na rosca do suporte (H) e aperte.
5. Gire a armação da empunhadura lateral para a posição desejada. Ao fazer uma perfuração por percussão em posição horizontal com uma broca para trabalhos pesados, posicione a armação da empunhadura lateral num ângulo de cerca de 20° em relação à ferramenta para obter o máximo controle.
6. Trave a armação da empunhadura lateral no lugar apertando a rosca do suporte (H).

COMO INSTALAR NA POSIÇÃO TRASEIRA (FIG. 3)

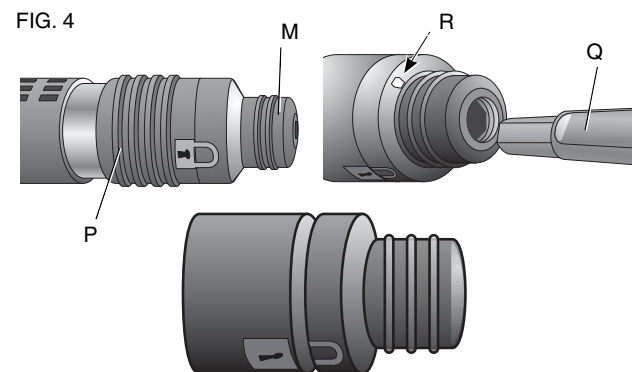
1. Desparafuse a empunhadura lateral (C) e retire-a da armação. Deixe a armação da empunhadura lateral na posição frontal.
2. Aparafuse a empunhadura lateral diretamente uma das posições traseiras da empunhadura lateral (I), num ou no outro lado da ferramenta.



Controle de vibração ativa (Fig. 1)

D25602, D25831, D25851

Para obter o melhor controle de vibração, use uma mão para segurar a ferramenta na empunhadura principal (D) e a outra mão para segurar a empunhadura lateral (C). Aplique somente uma pressão suficiente para que o amortecedor na empunhadura principal fique numa posição intermediária. A ferramenta precisa somente de uma pressão suficiente para ativar o controle de vibração ativa. Uma pressão excessiva não fará com que a ferramenta funcione mais rapidamente. Além disso, a pressão excessiva não ativará o controle de vibração ativa.



Como instalar e retirar acessórios para ranhuras (Fig. 4)

D25851

⚠️ ADVERTÊNCIA: Para reduzir o risco de lesões corporais graves, sempre desligue a ferramenta e retire-a da corrente elétrica antes de fazer ajustes ou de retirar ou colocar acessórios.

1. Insira a haste da broca na ferramenta (M) até onde for possível. O sulco da broca haste (Q) deve ficar alinhado com o símbolo (R) na ferramenta. Caso a broca tenha sido instalada corretamente, a manga de trava (P) passa à posição da extremidade e o símbolo de "travado" aparece.
2. Puxe um pouco a broca para fora para se assegurar que ela está bem presa.
3. Caso o sulco da broca não esteja alinhado com o símbolo, ou caso não tenha sido inserido até o máximo, o símbolo de "aberto" continua a ser mostrado.

Para retirar a broca, puxe a manga para trás e puxe a broca para fora.

Como instalar e retirar acessórios SDS Max®

D25501, D25602, D25831

⚠ ADVERTÊNCIA: Para reduzir o risco de lesões corporais graves, sempre desligue a ferramenta e retire-a da corrente elétrica antes de fazer ajustes ou de retirar ou colocar acessórios.

1. Puxe a manga de trava (P) para trás e instale a broca. A haste da broca deve estar limpa.
2. Gire levemente a broca até que a manga clique de volta na posição.
3. Verifique se a broca está engatada corretamente.

NOTA: Quando engatada corretamente, a broca deve poder se mover de vários centímetros para dentro e para fora do corpo da ferramenta (M).

4. Para retirar a broca, puxe a manga para trás e puxe a broca para fora.

Controle de torque completo (Fig. 5)

D25602

AVISO: Para evitar danos à ferramenta, sempre desligue a ferramenta antes de mudar o controle de torque.

A função controle de torque completo (CTC) oferece um nível adicional de controle para uma ferramenta equipada com uma embreagem de duas fases.

A posição de embreagem 1 (S) é recomendada para a maioria dos trabalhos de perfuração por percussão. Quando o comutador está nesta posição, a embreagem se solta quando a ferramenta encontra uma barra de reforço ou materiais estranhos.

A posição de embreagem 2 (T) é recomendada para trabalhos que exigem um maior torque como, por exemplo, o uso de brocas-coroas e a perfuração por percussão de orifícios profundos. Quando o comutador está nesta posição, a ferramenta solta da embreagem quando o torque atinge um valor muito mais alto.

Coloque o comutador de controle de torque (U) na posição 1 ou 2, de acordo com o tipo de trabalho a ser realizado.

NOTA: Ao mudar o torque, deixe que a caixa do motor gire um pouco.

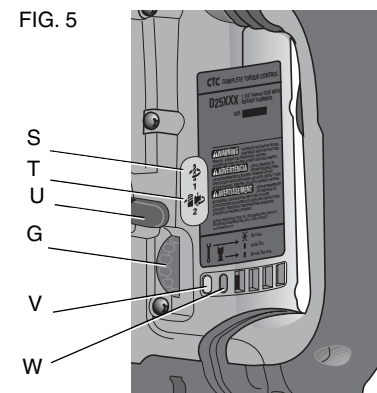
Sempre que a ferramenta for ligada, a embreagem estará automaticamente na posição 1 que é a mais sensível.

Controle eletrônico de velocidade e impacto (Fig. 5)

D25602, D25831, D25851

O controle eletrônico de velocidade e impacto permite que o usuário utilize brocas menores sem risco de que a broca quebre. Ele permite também a perfuração por percussão em materiais mais leves ou quebradiços sem estilhaçamento. Além disso, ele oferece um nível de controle ideal para uma raspagem de precisão.

FIG. 5



Para escolher o nível desejado, gire o controle (G). Os números aumentam proporcionalmente ao impacto e à velocidade. O controle variável torna a ferramenta extremamente adaptável para muitos trabalhos diferentes. O nível adequado depende do tamanho da broca no grau de dureza do material a ser perfurado.

Seletor de Modo (Fig. 1)

⚠ ATENÇÃO: Nunca mude o modo de operação com a ferramenta em funcionamento.

⚠ ATENÇÃO: A fim de evitar ferimentos e danos à ferramenta, nunca mude o modo de funcionamento da ferramenta para perfuração por percussão com uma broca instalada.

Os modelos D25501, D25553, D25601 e D25602 têm dois modos de funcionamento. Para selecionar o modo desejado, gire o seletor de modo (F) até que a flecha coincida com o símbolo de perfuração por percussão ou raspagem. O modelo D25831 usa somente o modo de raspagem.

MODO DE PERFURAÇÃO POR PERCUSSÃO (T)

A ferramenta gira e golpeia simultaneamente o material. Este modo é recomendado para todas as operações em concreto e alvenaria.

MODO DE RASPAGEM (T)

A trava de ranhura fica engatada no modo de raspagem para que a ferramenta golpeie a peça sendo trabalhada, mas sem girar. Este modo é recomendado para trabalhos leves de raspagem, cinzelamento e demolição.

NOTA: Em modo de raspagem, a ferramenta pode também ser usada como uma alavanca para retirar uma broca emperrada.

COMO AJUSTAR A BROCA (O)

Para colocar o buril na posição desejada, gire o seletor de modo até o símbolo da broca de cinzelagem correspondente.

O ângulo do buril pode ser ajustado em 18 posições diferentes. Após escolher a posição desejada, mova a broca levemente para frente e para trás para se assegurar que o buril está instalado corretamente.

Indicadores luminosos de alimentação elétrica (Fig. 5)

O indicador LED amarelo do estado da escova LED (V) se acende quando as escovas estão quase gastas para indicar que o usuário precisa fazer a manutenção da ferramenta dentro das próximas 8 horas de utilização.

O indicador LED vermelho (W) se acende quando a trava (B) é usada num modo diferente de raspagem.

O indicador LED vermelho (W) pisca quando existe um problema com a ferramenta e quando as escovas estão completamente gastas (consulte o parágrafo **Escovas** na seção **Manutenção**).

COMO OPERAR A FERRAMENTA

⚠ ATENÇÃO: Siga sempre as instruções de segurança e os regulamentos aplicáveis.

⚠ ATENÇÃO: Para reduzir o risco de lesões corporais graves, sempre desligue a ferramenta e retire-a da corrente elétrica antes de fazer ajustes ou de retirar ou colocar acessórios.

⚠ ATENÇÃO: Para reduzir o risco de lesões corporais, verifique **SEMPRE** se a peça a ser trabalhada está bem ancorada ou apertada firmemente. Ao furar um material fino, use um bloco de madeira para suportar e prevenir danos ao material.

⚠ ATENÇÃO: Para reduzir o risco de lesões corporais, **SEMPRE** opere a ferramenta com a empunhadura lateral devidamente instalada e apertada. Caso contrário, a empunhadura lateral pode se soltar durante a operação da ferramenta e o operador pode perder o controle. Segure a ferramenta com as duas mãos a fim de ter um controle máximo.

Como segurar corretamente a ferramenta (Fig. 1)

⚠ **ATENÇÃO:** Para reduzir o risco de lesões graves, **SEMPRE** posicione corretamente a mão tal como mostra a ilustração.

⚠ **ATENÇÃO:** Para reduzir o risco de lesões graves, **SEMPRE** segure firmemente a ferramenta para estar preparado em caso de uma reação súbita da ferramenta.

Para usar corretamente a ferramenta segure a empunhadura lateral (D) com uma mão e segure a empunhadura principal (B) com a outra mão.

NOTA: A faixa de temperatura de funcionamento desta ferramenta é entre -7°C +40°C (19°F e 104°F). A utilização da ferramenta em temperaturas fora desta faixa diminuirá a vida útil da ferramenta.

Gatilho interruptor (Fig. 1)

Para ligar a ferramenta, aperte o gatilho (A). Para parar a ferramenta, solte o gatilho.

D25602

Somente em modo de raspagem, trave o gatilho na posição de funcionamento, empurre o comutador de trava (B) para cima e, ao mesmo tempo, aperte o gatilho.

Para desativar o comutador de trava, aperte o gatilho uma vez e solte.

Só é possível ativar o comutador em modo de raspagem. A ferramenta parará de funcionar se o usuário tentar engatar a trava com a ferramenta em modo de perfuração por percussão. O motor parará de funcionar caso a trava tiver sido ativada ao mudar do modo de cinzelamento ao modo de perfuração por percussão.

D25831, D25851

Para fazer a ferramenta funcionar de modo contínuo, coloque o comutador na posição "ON" (ligado). Para interromper o

funcionamento contínuo da ferramenta, coloque o comutador na posição "OFF" (desligado).

FUNÇÃO DE PARTIDA SUAVE

A função de partida suave permite que o usuário aumente lentamente a velocidade da ferramenta a fim de impedir que a broca pule para fora do orifício a ser perfurado ao iniciar a perfuração. Além disto, esta função reduz a reação de torque imediata transmitida ao motor, caso a ferramenta seja poste em funcionamento com uma broca dentro de um orifício já perfurado.

Martelamento com uma broca sólida

D25501, D25601, D25602

NOTA: Os modelos D25831 e D25851 têm somente modos de raspagem. Eles não têm nenhuma função de perfuração por percussão.

1. Coloque o seletor de modo (F) na posição de perfuração por percussão.
2. Somente para o modelo D25602, mova a alavanca de controle de torque (U) para a posição 1 (S).
3. Ajuste o mecanismo de controle de velocidade e impacto (G).
4. Instale a broca adequada.
5. Ajuste a empunhadura lateral (posição frontal ou traseira) (C).
6. Marque o ponto onde o orifício deve ser perfurado.
7. Coloque a broca na marca e aperte o gatilho interruptor (A).
8. Aplique somente uma pressão suficiente para ativar o controle de vibração ativa (consulte a seção **Controle de Vibração Ativa**).
9. Para parar a ferramenta, solte o gatilho interruptor. Sempre desligue o interruptor da ferramenta ao terminar o trabalho e antes de desconectá-la da corrente elétrica.

Perfuração por percussão com uma broca-coroa

D25501, D25601, D25602

⚠ ATENÇÃO: A fim de evitar ferimentos e danos à ferramenta, nunca use uma broca-coroa para trabalhos de perfuração de madeira por percussão.

NOTA: Os modelos D25831 e D25851 têm somente modos de raspagem. Eles não têm nenhuma função de perfuração por percussão.

1. Coloque o seletor de modo (F) na posição de perfuração por percussão.
2. Somente para o modelo D25602, mova a alavanca de controle de torque (U) para a posição 2 (T).
3. Coloque o mecanismo de controle de impacto e velocidade (G) na velocidade máxima (nível 7).
4. Ajuste a empunhadura lateral (posição frontal ou traseira) (C).
5. Monte a broca de centragem e o adaptador da haste na broca-coroa.
6. Marque o ponto onde o orifício deve ser perfurado.
7. Coloque a broca de centragem na marca e aperte o gatilho (A).

NOTA: Para algumas brocas-coroa é necessário que a broca de centragem seja retirada após uma penetração de cerca de 1 cm. Se for o caso, retire a broca e continue o trabalho de perfuração por percussão.

8. Ao fazer um trabalho de perfuração por percussão numa estrutura mais profunda que a espessura da broca-coroa, quebre e retire o cilindro de concreto que se forma dentro da broca em intervalos regulares. Para evitar quebrar o concreto ao redor do orifício, faça em primeiro lugar um orifício com o mesmo diâmetro da broca centralizadora completamente atravessando a estrutura. Em seguida, perfure o orifício do

tamanho desejado perfurando a metade de cada lado da estrutura.

9. Para parar a ferramenta, solte o gatilho interruptor. Sempre desligue o interruptor da ferramenta ao terminar o trabalho e antes de desconectá-la da corrente elétrica.

Raspagem

D25831, D25851

1. Coloque o seletor de modo (F) na posição de raspagem.
2. Coloque o controlador de impacto (G) na posição desejada (consulte a seção **Controle Eletrônico de Velocidade e Impacto**).
3. Instale o buril e gire-o com a mão para travá-lo na posição desejada.

NOTA: Para os modelos SDS Max®, use somente brocas SDS Max®.

4. Ajuste a empunhadura lateral (posição frontal ou traseira) (C).
5. Aperte o gatilho interruptor (A).
6. Aplique somente uma pressão suficiente para ativar o controle de vibração ativa (consulte a seção **Controle de Vibração Ativa**).
7. Para parar a ferramenta, solte o gatilho interruptor. Sempre desligue o interruptor da ferramenta ao terminar o trabalho e antes de desconectá-la da corrente elétrica.

MANUTENÇÃO

Sua ferramenta elétrica DEWALT foi projetada para funcionar durante um período de tempo muito longo com um mínimo de manutenção. O funcionamento contínuo satisfatório depende da manutenção cuidadosa e da limpeza periódica da ferramenta.

⚠ ATENÇÃO: Para reduzir o risco de lesões corporais, sempre desligue a ferramenta e retire-a da corrente elétrica antes de instalar ou retirar acessórios, e antes de fazer ajustes.

Limpeza

⚠ **ATENÇÃO:** Pelo menos uma vez por semana, use jatos de ar seco para remover as impurezas e o pó de todas as aberturas de ventilação da ferramenta. Use sempre uma proteção para os olhos adequada Z87.1 (CAN/CSA Z94.3) e uma proteção respiratória adequada NIOSH/OSHA/MSHA ao fazer este trabalho.

⚠ **ATENÇÃO:** Nunca use solventes ou outros produtos químicos abrasivos para limpar as peças não metálicas da ferramenta. Estes produtos químicos podem enfraquecer os materiais plásticos utilizados nestas peças. Use um pano umedecido somente com água e sabão neutro. Nunca deixe que um líquido caia dentro da ferramenta. Nunca coloque as peças da ferramenta em um líquido.

Lubrificação

Sua ferramenta recebeu uma lubrificação adequada antes de deixar a fábrica. Dentro de dois a seis meses, dependendo da intensidade de utilização, leve ou envie a ferramenta a um centro de assistência técnica autorizado para que ela seja completamente limpa, inspecionada e lubrificada. As ferramentas usadas de modo constante em trabalhos de produção precisam ser lubrificadas mais freqüentemente. Além disso, as ferramentas que estiveram fora de serviço durante um período longo também precisam ser lubrificadas novamente antes de voltarem a ser usadas.

Acessórios

⚠ **ATENÇÃO:** Como os acessórios fabricados por outros fabricantes não foram testados para serem usados com esta ferramenta, seu uso com esta ferramenta pode ser perigoso. Para reduzir o risco de lesões, utilize somente os acessórios recomendados pela DEWALT para esta ferramenta.

Os acessórios recomendados para uso com sua ferramenta estão disponíveis a custo adicional no seu revendedor local ou no centro de assistência técnica autorizado.

CAPACIDADES MÁXIMAS RECOMENDADAS

	D25501	D25601	D25602	D25831
Concreto	1-9/16" (40 mm)	1-9/16" (40 mm)	1-3/4" (45 mm)	–
RPM	490	490	210–415	–
BPM sem carga	3 300	3 300	1 430–2 840	1430–2840

Reparos

Para assegurar a SEGURANÇA e a CONFIABILIDADE da ferramenta, os reparos, a manutenção e os ajustes (incluindo inspeção e substituição da escova) devem ser realizados por um centro de serviços autorizados da DEWALT ou outro pessoal técnico qualificado. Use sempre peças de reposição idênticas.

A DEWALT possui uma das maiores Redes de Serviços do País, Ligue: 0800-7034644 ou consulte nosso site: www.dewalt.com.br, para saber qual é a mais próxima de sua localidade.

ESPECIFICAÇÕES

	D25501-B2	D25601-B2	D25602-B2	D25831-B2
Voltagem	220 V ~	220 V ~	220 V ~	220 V ~
Frequencia	50-60 Hz	50-60 Hz	50-60 Hz	50-60 Hz
Watts	1 100W	1 200 W	1 200 W	1 200 W
RPM	490/min	210-415/min	210-415/min	-
Impactos por min (imp)	3 300	1 430-2 830	1 430-2 830	1 430-2 840

SOLAMENTE PARA PROPÓSITO DE ARGENTINA:
IMPORTADO POR: BLACK & DECKER ARGENTINA S.A.
PACHECO TRADE CENTER
COLECTORA ESTE DE RUTA PANAMERICANA
KM. 32.0 EL TALAR DE PACHECO
PARTIDO DE TIGRE
BUENOS AIRES (B1618FBQ)
REPÚBLICA DE ARGENTINA
NO. DE IMPORTADOR: 1146/66
TEL. (011) 4726-4400

SOLAMENTE PARA PROPÓSITO DE MÉXICO:
IMPORTADO POR: BLACK & DECKER S.A. DE C.V.
BOSQUES DE CIDROS, ACCESO RADIATAS NO. 42
3A. SECCIÓN DE BOSQUES DE LAS LOMAS
DELEGACIÓN CUAJIMALPA,
05120, MÉXICO, D.F.
TEL. (52) 555-326-7100
R.F.C.: BDE810626-1W7

IMPORTED BY/IMPORTADO POR:
BLACK & DECKER DO BRASIL LTDA.
ROD. BR 050, S/Nº - KM 167
DIST. INDUSTRIAL II
UBERABA - MG - CEP: 38064-750
CNPJ: 53.296.273/0001-91
INSC. EST.: 701.948.711.00-98
S.A.C.: 0800-703-4644

MAQUINAS Y HERRAMIENTAS BLACK & DECKER CHILE S.A.
AVDA. EDUARDO FREI M. #6001 EDIFICIO 67
CONCHALI-SANTIAGO
CHILE

MADE IN CZECH REPUBLIC
HECHO EN REP. CHECA
FABRICADO NA REP. TCHECA

DEWALT Industrial Tool Co., 701 East Joppa Road, Baltimore, MD 21286
(JUN10) Part No. N081357 D25501, D25601, D25602, D25851, D25831 Copyright © 2010 DEWALT
The following are trademarks for one or more DEWALT power tools: the yellow and black color scheme; the "D" shaped air intake grill;
the array of pyramids on the handgrip; the kit box configuration; and the array of lozenge-shaped humps on the surface of the tool.