

**Questions? See us on the World Wide Web at www.dewalt.com
¿Dudas? Visítenos en Internet: www.dewalt.com
Dúvidas? Visite-nos na Internet em www.dewalt.com.br**

**INSTRUCTION MANUAL
MANUAL DE INSTRUCCIONES
MANUAL DE INSTRUÇÕES**

INSTRUCTIVO DE OPERACIÓN, CENTROS DE SERVICIO Y PÓLIZA DE GARANTÍA. **ADVERTENCIA:** LÉASE ESTE INSTRUCTIVO ANTES DE USAR EL PRODUCTO.

INSTRUÇÕES DE OPERAÇÃO, CENTRO DE SERVIÇOS E CERTIFICADO DE GARANTIA. **ADVERTÊNCIA:** LEIA ESTAS INSTRUÇÕES ANTES DE UTILIZAR O PRODUTO.

DEWALT®

**D25580
5kg Demolition Hammer
Martillo demoledor de 5 kg
Martelo rompedor de 5 kg**



Definitions: Safety Guidelines

The definitions below describe the level of severity for each signal word. Please read the manual and pay attention to these symbols.

▲ DANGER: Indicates an imminently hazardous situation which, if not avoided, **will** result in **death or serious injury**.

▲ WARNING: Indicates a potentially hazardous situation which, if not avoided, **could** result in **death or serious injury**.

▲ CAUTION: Indicates a potentially hazardous situation which, if not avoided, **may** result in **minor or moderate injury**.

NOTICE: indicates a practice **not related to personal injury** which, if not avoided, **may** result in **property damage**.



WARNING: To reduce the risk of injury, read the instruction manual.

General Power Tool Safety Warnings



WARNING! Read all safety warnings and all instructions. Failure to follow the warnings and instructions may result in electric shock, fire and/or serious injury.

SAVE ALL WARNINGS AND INSTRUCTIONS FOR FUTURE REFERENCE

The term "power tool" in the warnings refers to your mains-operated (corded) power tool or battery-operated (cordless) power tool.

1) WORK AREA SAFETY

- a) **Keep work area clean and well lit.** Cluttered or dark areas invite accidents.
- b) **Do not operate power tools in explosive atmospheres, such as in the presence of flammable liquids, gases or**

dust. Power tools create sparks which may ignite the dust or fumes.

- c) **Keep children and bystanders away while operating a power tool.** Distractions can cause you to lose control.

2) ELECTRICAL SAFETY

- a) **Power tool plugs must match the outlet. Never modify the plug in any way. Do not use any adapter plugs with earthed (grounded) power tools.** Unmodified plugs and matching outlets will reduce risk of electric shock.
- b) **Avoid body contact with earthed or grounded surfaces such as pipes, radiators, ranges and refrigerators.** There is an increased risk of electric shock if your body is earthed or grounded.
- c) **Do not expose power tools to rain or wet conditions.** Water entering a power tool will increase the risk of electric shock.
- d) **Do not abuse the cord. Never use the cord for carrying, pulling or unplugging the power tool. Keep cord away from heat, oil, sharp edges or moving parts.** Damaged or entangled cords increase the risk of electric shock.
- e) **When operating a power tool outdoors, use an extension cord suitable for outdoor use.** Use of a cord suitable for outdoor use reduces the risk of electric shock.
- f) **If operating a power tool in a damp location is unavoidable, use a residual current device (RCD) protected supply.** Use of an RCD reduces the risk of electric shock.

3) PERSONAL SAFETY

- a) **Stay alert, watch what you are doing and use common sense when operating a power tool. Do not use a power tool while you are tired or under the influence of drugs, alcohol or medication.** A moment of inattention while operating power tools may result in serious personal injury.

- b) **Use personal protective equipment. Always wear eye protection.** Protective equipment such as dust mask, non-skid safety shoes, hard hat, or hearing protection used for appropriate conditions will reduce personal injuries.
- c) **Prevent unintentional starting. Ensure the switch is in the off position before connecting to power source and/or battery pack, picking up or carrying the tool.** Carrying power tools with your finger on the switch or energising power tools that have the switch on invites accidents.
- d) **Remove any adjusting key or wrench before turning the power tool on.** A wrench or a key left attached to a rotating part of the power tool may result in personal injury.
- e) **Do not overreach. Keep proper footing and balance at all times.** This enables better control of the power tool in unexpected situations.
- f) **Dress properly. Do not wear loose clothing or jewellery. Keep your hair, clothing and gloves away from moving parts.** Loose clothes, jewellery or long hair can be caught in moving parts.
- g) **If devices are provided for the connection of dust extraction and collection facilities, ensure these are connected and properly used.** Use of dust collection can reduce dust-related hazards.
- 4) **POWER TOOL USE AND CARE**
- a) **Do not force the power tool. Use the correct power tool for your application.** The correct power tool will do the job better and safer at the rate for which it was designed.
- b) **Do not use the power tool if the switch does not turn it on and off.** Any power tool that cannot be controlled with the switch is dangerous and must be repaired.
- c) **Disconnect the plug from the power source and/or the battery pack from the power tool before making any adjustments, changing accessories, or storing power**

tools. Such preventive safety measures reduce the risk of starting the power tool accidentally.

- d) **Store idle power tools out of the reach of children and do not allow persons unfamiliar with the power tool or these instructions to operate the power tool.** Power tools are dangerous in the hands of untrained users.
- e) **Maintain power tools. Check for misalignment or binding of moving parts, breakage of parts and any other condition that may affect the power tool's operation. If damaged, have the power tool repaired before use.** Many accidents are caused by poorly maintained power tools.
- f) **Keep cutting tools sharp and clean.** Properly maintained cutting tools with sharp cutting edges are less likely to bind and are easier to control.
- g) **Use the power tool, accessories and tool bits etc., in accordance with these instructions taking into account the working conditions and the work to be performed.** Use of the power tool for operations different from those intended could result in a hazardous situation.
- 5) **SERVICE**
- a) **Have your power tool serviced by a qualified repair person using only identical replacement parts.** This will ensure that the safety of the power tool is maintained.

SPECIFIC SAFETY RULES

Safety Warnings for Demolition Hammers

- **Wear ear protectors.** Exposure to noise can cause hearing loss.
- **Use auxiliary handles supplied with the tool.** Loss of control can cause personal injury.
- **Hold power tool by insulated gripping surfaces only, when performing an operation where the cutting accessory may**

- contact hidden wiring or its own cord.** Cutting accessory contacting a “live” wire may make exposed metal parts of the power tool “live” and shock the operator.
- Be certain that the material being drilled does not conceal electric or gas service and that their locations have been verified with the utility companies.
 - **Keep a firm grip on the tool at all times. Do not attempt to operate this tool without holding it with both hands.** Operating this tool with one hand will result in loss of control. Breaking through or encountering hard materials such as re-bar may be hazardous as well. Tighten the side handle securely before use.
 - Ensure the chisel is secured in place before operating the tool.
 - In cold-weather conditions or when the tool has not been used for a longer period of time, let the tool run with no load for several minutes before use.
 - When working above ground level ensure the area below is clear.
 - Do not touch the chisel or the parts close to the chisel immediately after operation, as they may be extremely hot and cause burns to the skin.
 - Always direct the power cable to the rear, away from the chisel.
 - **Do not operate this tool for long periods of time.** Vibration caused by hammer action may be harmful to your hands and arms. Use gloves to provide extra cushion and limit exposure by taking frequent rest periods.
 - **An extension cord must have adequate wire size (AWG or American Wire Gauge) for safety.** The smaller the gauge number of the wire, the greater the capacity of the cable, that is 16 gauge has more capacity than 18 gauge. An undersized cord will cause a drop in line voltage resulting in loss of power and overheating. When using more than one extension to make up the total length, be sure each individual extension contains

at least the minimum wire size. The following table shows the correct size to use depending on cord length and nameplate ampere rating. If in doubt, use the next heavier gauge. The smaller the gauge number, the heavier the cord.

Voltage (Volts)	Total length of cord in meters (m)			
	120 - 127V	0 - 7	7 - 15	15 - 30
220 - 240V	0 - 15	15 - 30	30 - 60	60 - 100
Rated Ampere range	Minimal cross-sectional area of the cord in meters (mm ²)			
0 - 6A	1.0	1.5	1.5	2.5
6 - 10A	1.0	1.5	2.5	4.0
10 - 12A	1.5	1.5	2.5	4.0
12 - 16A	2.5	4.0	Not Recommended	

⚠ WARNING: Always use eye protection. All users and bystanders must wear eye protection that conforms to ANSI Z87.1.

⚠ WARNING: Always wear proper personal hearing protection that conforms to ANSI S12.6 (S3.19) during use. Under some conditions and duration of use, noise from this product may contribute to hearing loss.

⚠ WARNING: Some dust created by power sanding, sawing, grinding, drilling, and other construction activities contains chemicals known to cause cancer, birth defects or other reproductive harm. Some examples of these chemicals are:

- lead from lead-based paints,
- crystalline silica from bricks and cement and other masonry products, and
- arsenic and chromium from chemically-treated lumber (CCA).

Your risk from these exposures varies, depending on how often you do this type of work. To reduce your exposure to these chemicals:

work in a well ventilated area, and work with approved safety equipment, such as those dust masks that are specially designed to filter out microscopic particles.

- **Avoid prolonged contact with dust from power sanding, sawing, grinding, drilling, and other construction activities. Wear protective clothing and wash exposed areas with soap and water.** Allowing dust to get into your mouth, eyes, or lay on the skin may promote absorption of harmful chemicals.

⚠ WARNING: Use of this tool can generate and/or disburse dust, which may cause serious and permanent respiratory or other injury. Always use NIOSH/OSHA approved respiratory protection appropriate for the dust exposure. Direct particles away from face and body.

⚠ WARNING: ALWAYS USE SAFETY GLASSES. Everyday eyeglasses are NOT safety glasses. Also use face or dust mask if cutting operation is dusty. All users and bystanders MUST ALWAYS wear certified safety equipment:

- ANSI Z87.1 eye protection (CAN/CSA Z94.3),
- ANSI S12.6 (S3.19) hearing protection,
- NIOSH/OSHA/MSHA respiratory protection.

⚠ WARNING: Wear appropriate hearing protection during use. Under some conditions and duration of use, noise from this product may contribute to hearing loss.

- The label on your tool may include the following symbols. The symbols and their definitions are as follows:

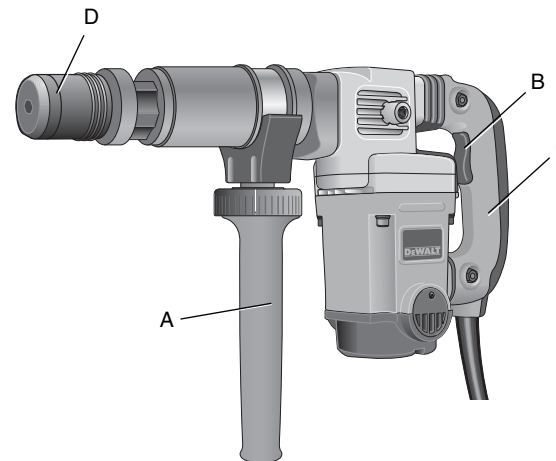
V	volts	A.....	amperes
Hz	hertz	W.....	watts
min	minutes	~	alternating current
— —	direct current	⎓	alternating or direct current
⚠	Class I Construction (grounded)	no	no load speed
⊜	Class II Construction (double insulated)	⊕	earthing terminal
⚠	safety alert symbol	BPM..	beats per minute

.../min ... per minute RPM.. revolutions per minute
IPM

DESCRIPTION (FIG. 1)

⚠ WARNING: Never modify the power tool or any part of it. Damage or personal injury could result.

FIG. 1



- A. Side handle C. Main handle
B. Switch D. Tool sleeve

INTENDED USE

This demolition hammer is designed for professional light or medium chipping, chiselling and demolition applications in concrete, brick and masonry.

DO NOT use under wet conditions or in presence of flammable liquids or gases.

These demolition hammers are professional power tools.
DO NOT let children come into contact with the tool. Supervision is required when inexperienced operators use this tool.

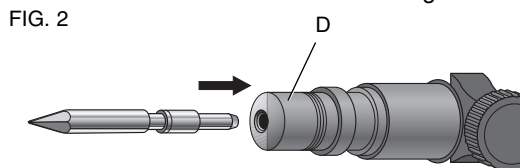
ASSEMBLY AND ADJUSTMENTS

⚠ WARNING: *To reduce the risk of injury, turn unit off and disconnect machine from power source before installing and removing accessories, before adjusting or changing set-ups or when making repairs. Be sure the trigger switch is in the OFF position. An accidental start-up can cause injury.*

Inserting and Removing Chisels (fig. 2)

⚠ WARNING: *Always wear gloves when you change accessories. The exposed metal parts on the tool and accessory may become extremely hot during operation.*

1. Clean and grease the bit shank.
2. Insert the bit shank into the tool holder/locking sleeve (D).



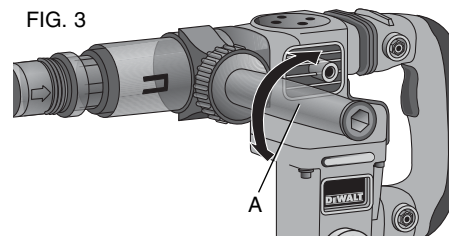
3. Push the bit down and turn it slightly until it fits into the slots.
4. Pull on the bit to check if it is properly locked. The hammering function requires the bit to be able to move axially several centimetres when locked in the tool holder.
5. To remove a bit pull back the tool holder/locking sleeve (D) and pull out the bit.

Fitting the Side Handle (fig. 3)

⚠ WARNING: *Do not use the tool without the side handle properly assembled.*

The side handle (A) can be fitted to suit both RH- and LH-users.

1. Loosen the side handle.
2. **For RH-users:** slide the side handle clamp over the collar behind the tool holder, handle at the left.
For LH-users: slide the side handle clamp over the collar behind the tool holder, handle at the right.
3. Rotate the side handle to the desired position and tighten the handle.



OPERATION

⚠ WARNING: *To reduce the risk of injury, turn unit off and disconnect tool from power source before installing and removing accessories, before making any adjustments or removing/installing attachments or accessories.*

⚠ WARNING: *Always observe the safety instructions and applicable regulations.*

⚠ WARNING: *Be aware of the location of pipework and wiring.*

⚠ WARNING: *Apply only a gentle pressure to the tool (approx. 5 kg). Excessive force does not speed up chiselling but decreases tool performance and may shorten tool life.*

⚠ WARNING: Always hold the tool firmly with both hands and ensure a secure stance (fig. 4). Always operate the tool with the side handle properly mounted.

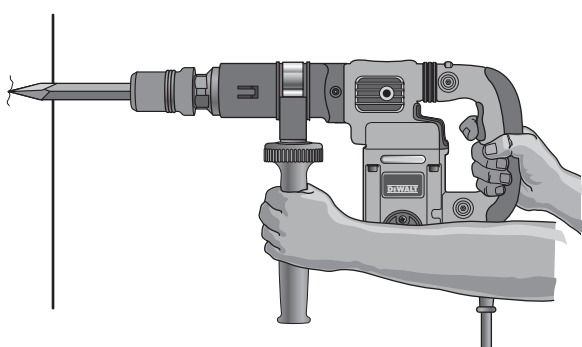
Proper Hand Position (fig. 1, 3)

⚠ WARNING: To reduce the risk of serious personal injury, ALWAYS use proper hand position as shown.

⚠ WARNING: To reduce the risk of serious personal injury, ALWAYS hold securely in anticipation of a sudden reaction.

Proper hand position requires one hand on the side handle (A), with the other hand on the main handle (C).

FIG. 4



Switching On and Off (fig. 1)

1. To run the tool, press the switch (B).
2. To stop the tool, release the switch.

Chipping and Chiselling (fig. 1)

⚠ WARNING: Do not use this tool to mix or pump easily combustible or explosive fluids (benzine, alcohol, etc.). Do not mix or stir inflammable liquids labelled accordingly.

1. Insert the appropriate chisel.
2. Adjust the side handle (A) as required.
3. Switch on the tool and start working.
4. Always switch off the tool when work is finished and before unplugging.

MAINTENANCE

Your DEWALT power tool has been designed to operate over a long period of time with a minimum of maintenance. Continuous satisfactory operation depends upon proper tool care and regular cleaning.

This machine is not user-serviceable. Take the tool to an authorized DEWALT service center after approximately 100 hours of use for preventive maintenance. If problem occur before this time contact an authorized DEWALT service center.

⚠ WARNING: To reduce the risk of injury, turn unit off and disconnect tool from power source before installing and removing accessories, before making any adjustments or removing/installing attachments or accessories.

Motor Brushes

The tool will automatically switch off when the carbon brushes are worn. DEWALT uses an advanced brush system which automatically stops the work when the brushes wear out. This prevents serious damage to the motor. New brush assemblies are available at authorised DEWALT service centers. Always use identical replacement parts

Lubrication

Your power tool requires no additional lubrication.

Cleaning

⚠ WARNING: Blow dirt and dust out of the main housing with dry air as often as dirt is seen collecting in and around the air vents. Wear approved eye protection and approved dust mask when performing this procedure.

⚠ WARNING: *Never use solvents or other harsh chemicals for cleaning the non-metallic parts of the tool. These chemicals may weaken the materials used in these parts. Use a cloth dampened only with water and mild soap. Never let any liquid get inside the tool; never immerse any part of the tool into a liquid.*

Accessories

⚠ WARNING: *Since accessories, other than those offered by DEWALT, have not been tested with this product, use of such accessories with this tool could be hazardous. To reduce the risk of injury, only DEWALT, recommended accessories should be used with this product.*

Recommended accessories for use with your tool are available at extra cost from your local dealer or authorized service center.

Repairs

To assure product SAFETY and RELIABILITY, repairs, maintenance and adjustment (including brush inspection and replacement) should be performed by authorized service centers or other qualified service personnel, always using identical replacement parts.

Specifications

	D25580-B3
Voltage	120V
Watts	1050
BPM	3600
Chisel positions	6
Tool Holder	17 mm hex
Collar Diameter	65 mm

Definiciones: Normas de seguridad

Las siguientes definiciones describen el nivel de gravedad de cada advertencia. Lea el manual y preste atención a estos símbolos.

▲ **PELIGRO:** indica una situación de peligro inminente que, si no se evita, **provocará la muerte o lesiones graves.**

▲ **ADVERTENCIA:** Indica una situación de peligro potencial que, si no se evita, **podría provocar la muerte o lesiones graves.**

▲ **ATENCIÓN:** indica una situación de peligro potencial que, si no se evita, **puede provocar lesiones leves o moderadas.**

AVISO: Se refiere a una práctica **no relacionada a lesiones corporales** que de no evitarse **puede resultar en daños a la propiedad.**



ADVERTENCIA: para reducir el riesgo de lesiones, lea el manual de instrucciones.

Advertencias generales de seguridad para las herramientas eléctricas

▲ **ADVERTENCIA:** Lea todas las advertencias de seguridad e instrucciones. El incumplimiento de las advertencias o instrucciones puede provocar descargas eléctricas, incendios o lesiones graves.

GUARDE LAS ADVERTENCIAS E INSTRUCCIONES PARA PODER CONSULTARLAS EN EL FUTURO

El término "herramienta eléctrica" incluido en todas las advertencias se refiere a su herramienta eléctrica conectada a la red (cable eléctrico) o a su herramienta eléctrica accionada con baterías (inalámbrica).

1) SEGURIDAD DEL ÁREA DE TRABAJO

- a) **Mantenga el área de trabajo limpia y bien iluminada.** Las áreas abarrotadas u oscuras propician accidentes.
- b) **No haga funcionar las herramientas eléctricas en atmósferas explosivas, como ambientes donde haya polvo, gases o líquidos inflamables.** Las herramientas eléctricas originan chispas que pueden encender el polvo o producir humo.
- c) **Mantenga alejados a los niños y a los espectadores de la herramienta eléctrica en funcionamiento.** Las distracciones pueden provocar la pérdida de control.

2) SEGURIDAD ELÉCTRICA

- a) **Los enchufes de la herramienta eléctrica deben adaptarse a la toma de corriente. Nunca modifique el enchufe de ninguna manera. No utilice ningún enchufe adaptador con herramientas eléctricas con conexión a tierra.** Los enchufes no modificados y que se adaptan a las tomas de corrientes reducirán el riesgo de descarga eléctrica.
- b) **Evite el contacto corporal con superficies con toma de tierra como, por ejemplo, tuberías, radiadores, cocinas y refrigeradores.** Existe mayor riesgo de descarga eléctrica si su cuerpo está puesto a tierra.
- c) **No exponga las herramientas eléctricas a la lluvia ni a condiciones de humedad.** Si entra agua en una herramienta eléctrica, aumentará el riesgo de descarga eléctrica.
- d) **No use el cable indebidamente. Nunca utilice el cable para transportar, tirar o desenchufar la herramienta eléctrica. Mantenga el cable alejado del calor, el aceite, los bordes afilados o las piezas móviles.** Los cables dañados o enredados aumentan el riesgo de descarga eléctrica.

- e) **Al operar una herramienta eléctrica en el exterior, utilice un cable prolongador adecuado para tal uso.** Utilice un cable adecuado para uso en exteriores a fin de reducir el riesgo de descarga eléctrica.
- f) **Si no se puede evitar el uso de una herramienta eléctrica en una zona húmeda, utilice un dispositivo de corriente residual (residual current device, RCD) de seguridad.** El uso de un RCD reduce el riesgo de sufrir una descarga eléctrica.

3) SEGURIDAD PERSONAL

- a) **Permanezca alerta, controle lo que está haciendo y utilice el sentido común cuando emplee una herramienta eléctrica.** No utilice una herramienta eléctrica si está cansado o bajo el efecto de drogas, alcohol o medicamentos. Un momento de descuido mientras se opera una herramienta eléctrica puede provocar lesiones personales graves.
- b) **Utilice equipo de seguridad personal. Utilice siempre protección ocular.** El uso de equipo de seguridad, como mascarillas para polvo, calzado de seguridad antideslizante, cascos o protección auditiva en las condiciones adecuadas reducirá las lesiones personales.
- c) **Evite poner en marcha la herramienta involuntariamente. Asegúrese de que el interruptor está apagado antes de conectar la fuente de alimentación y/o la batería, coger o transportar la herramienta.** Transportar herramientas eléctricas con su dedo apoyado sobre el interruptor o enchufar herramientas eléctricas con el interruptor en la posición de encendido puede propiciar accidentes.
- d) **Retire la clavija de ajuste o la llave de tuercas antes de encender la herramienta eléctrica.** Una llave de tuercas o una clavija de ajuste que quede conectada a una pieza giratoria de la herramienta eléctrica puede provocar lesiones personales.

- e) **No se estire demasiado. Conserve el equilibrio y posicione adecuadamente en todo momento.** Esto permite un mejor control de la herramienta eléctrica en situaciones inesperadas.
- f) **Use la vestimenta adecuada. No use ropas holgadas ni joyas. Mantenga el cabello, la ropa y los guantes alejados de las piezas en movimiento.** Las ropas holgadas, las joyas o el cabello largo pueden quedar atrapados en las piezas en movimiento.
- g) **Si se suministran dispositivos para la conexión de accesorios con fines de recolección y extracción de polvo, asegúrese de que estén conectados y que se utilicen correctamente.** El uso del extractor de polvo puede reducir los riesgos relacionados con el polvo.

4) USO Y MANTENIMIENTO DE LA HERRAMIENTA ELÉCTRICA

- a) **No fuerce la herramienta eléctrica. Utilice la herramienta eléctrica correcta para el trabajo que realizará.** La herramienta eléctrica correcta hará el trabajo mejor, y de un modo más seguro, a la velocidad para la que fue diseñada.
- b) **No utilice la herramienta eléctrica si no puede encenderla o apagarla con el interruptor.** Las herramientas que no puedan ser controladas con el interruptor constituyen un peligro y deben repararse.
- c) **Desconecte el enchufe de la fuente de alimentación o la batería de la herramienta eléctrica antes de realizar cualquier ajuste, cambio de accesorios o almacenar las herramientas eléctricas.** Estas medidas de seguridad preventivas reducen el riesgo de encender la herramienta eléctrica de forma accidental.
- d) **Guarde la herramienta eléctrica que no esté en uso fuera del alcance de los niños y no permita que otras personas**

no familiarizadas con ella o con estas instrucciones operen la herramienta. Las herramientas eléctricas son peligrosas si son operadas por usuarios que no tienen formación.

- e) **Mantenimiento de las herramientas eléctricas. Revise que no haya piezas en movimiento mal alineadas o trabadas, piezas rotas o cualquier otra situación que pueda afectar el funcionamiento de las herramientas eléctricas. Si encuentra daños, haga reparar la herramienta eléctrica antes de utilizarla. Se producen muchos accidentes a causa de las herramientas eléctricas que carecen de un mantenimiento adecuado.**
- f) **Mantenga las herramientas de corte afiladas y limpias.** Las herramientas de corte con mantenimiento adecuado y con los bordes de corte afilados son menos propensas a trabarse y son más fáciles de controlar.
- g) **Utilice las herramientas eléctricas, sus accesorios y piezas, etc. de acuerdo con las presentes instrucciones, teniendo siempre en cuenta las condiciones de trabajo y el trabajo que deba llevar a cabo. El uso de la herramienta eléctrica para operaciones diferentes de aquellas para las que fue diseñada podría originar una situación peligrosa.**

5) MANTENIMIENTO

- a) **Solicite a una persona cualificada en reparaciones que realice el mantenimiento de su herramienta eléctrica y que solo utilice piezas de repuesto idénticas. Esto garantizará la seguridad de la herramienta eléctrica.**

NORMAS ESPECÍFICAS DE SEGURIDAD

Advertencias de seguridad para martillos demoledores

- **Utilice protectores auditivos.** La exposición al ruido podría causar pérdida auditiva.

- **Utilice los mangos auxiliares que vienen con la herramienta.** Perder el control de la herramienta podría causar lesiones corporales.
- **Sostenga la herramienta eléctrica por sus superficies de empuñadura aisladas cuando realice una operación en la cual el accesorio para cortar pudiera entrar en contacto con alambrado oculto o con su propio cable.** Si el accesorio de corte entra en contacto con un cable "vivo" puede hacer que las partes metálicas de la herramienta eléctrica queden "vivas" y causar una descarga eléctrica al operador.
- **Asegúrese de que el material taladrado no esconda conducciones eléctricas ni de gas, y que sus posiciones hayan sido comprobadas con las empresas suministradoras del servicio.**
- **Mantenga siempre la herramienta bien sujeta. No opere la herramienta si no puede sujetarla con ambas manos.** Si opera esta herramienta con una sola mano, perderá el control de la misma. Atravesar o topar con materiales duros, tales como un refuerzo posterior, también podría resultar peligroso. Ajuste bien el mango lateral antes de usar la herramienta.
- **Cerciórese de que el cincel esté firmemente en su lugar antes de operar la herramienta.**
- **En condiciones de clima frío o cuando la herramienta no se ha utilizado durante un largo periodo, deje funcionar la herramienta sin carga durante varios minutos antes de utilizarla.**
- **Cuando se trabaje sobre el nivel del suelo asegúrese de que el área por debajo esté despejada.**
- **No toque el cincel o las partes cerca del mismo inmediatamente después de la operación, ya que pueden estar muy calientes y causar quemaduras en la piel.**
- **Dirija siempre el cable de alimentación a la parte de atrás, lejos del cincel.**
- **No opere esta herramienta durante períodos largos de tiempo.** La vibración provocada por la acción de martilleo puede

ser peligrosa para las manos y brazos. Utilice guantes para mayor amortiguación y descanse con frecuencia para limitar el riesgo de exposición.

- **Los hilos del alargador deben ser de un calibre apropiado para su seguridad.** Un cable de un calibre insuficiente causará una caída en la tensión de la línea dando por resultado una pérdida de energía y sobrecalentamiento. Cuando se utilice más de un alargador para completar el largo total, asegúrese que los hilos de cada alargador tengan el calibre mínimo. La tabla siguiente muestra el tamaño correcto a utilizar, dependiendo de la longitud del cable y del amperaje nominal de la placa de identificación. Si tiene dudas sobre cuál calibre usar, use un calibre mayor.

Tensión (Volts)	Longitud del cable en metros (m)			
120 - 127V	0 - 7	7 - 15	15 - 30	30 - 50
220 - 240V	0 - 15	15 - 30	30 - 60	60 - 100
Corriente nominal (Ampéres)	Sección nominal mínima del cable en milímetros cuadrados (mm ²)			
0 - 6A	1,0	1,5	1,5	2,5
6 - 10A	1,0	1,5	2,5	4,0
10 - 12A	1,5	1,5	2,5	4,0
12 - 16A	2,5	4,0	No recomendado	

⚠ADVERTENCIA: Si el enchufe o el cable de alimentación están dañados lo debe reemplazar el fabricante o su representante o por una persona igualmente calificada para evitar peligro.

⚠ADVERTENCIA: Siempre use protección ocular. Todos los usuarios y personas circunstantes deben llevar protección ocular en conformidad con ANSI Z87.1.

⚠ADVERTENCIA: Siempre lleve la debida protección auditiva personal en conformidad con ANSI S12.6 (S3.19) durante el

uso de esta herramienta. Bajo algunas condiciones y duraciones de uso, el ruido producido por este producto puede contribuir a la pérdida auditiva.

⚠ADVERTENCIA: Use SIEMPRE lentes de seguridad. Los anteojos de uso diario NO son lentes de seguridad. Utilice también máscaras faciales o para polvo si los cortes producen polvillo. **UTILICE SIEMPRE EQUIPOS DE SEGURIDAD CERTIFICADOS:**

- Protección para los ojos ANSI Z87.1 (CAN/CSA Z94.3),
- Protección auditiva ANSI S12.6 (S3.19),
- Protección respiratoria según las normas NIOSH/OSHA/MSHA.

⚠ADVERTENCIA: Parte del polvo creado al lijar, aserruchar, moler o perforar con máquina, así como al realizar otras actividades de la construcción, contiene sustancias químicas que se sabe producen cáncer, defectos congénitos u otras afecciones reproductivas. Algunos ejemplos de esas sustancias químicas son:

- plomo de pinturas a base de plomo,
- sílice cristalizado de ladrillos y cemento y otros productos de albañilería, y
- arsénico y cromo de la madera químicamente tratada (CCA).

El riesgo al contacto con estas sustancias varía, según la frecuencia en que se haga este tipo de trabajo. Para reducir la exposición a esas sustancias químicas: trabaje en un área bien ventilada, y trabaje con equipos de seguridad aprobados, tales como máscaras contra el polvo especialmente diseñadas para filtrar las partículas microscópicas.

- Evite el contacto prolongado con polvos originados por lijar, aserrar, esmerilar, taladrar y otras actividades constructivas. Vista ropas protectoras y lave las áreas expuestas con agua y jabón. Permitir que el polvo se introduzca en su boca, ojos, o dejarlo sobre la piel promueve la absorción de químicos dañinos.

⚠ADVERTENCIA: La utilización de esta herramienta puede originar polvo o dispersarlo, lo que podría causar daños graves y permanentes al sistema respiratorio, así como otras lesiones. Siempre use protección respiratoria aprobada por NIOSH/OSHA, apropiada para su uso en condiciones de exposición al polvo. Procure que las partículas no se proyecten directamente sobre su rostro o su cuerpo.

- La etiqueta de la herramienta puede incluir los siguientes símbolos. A continuación se indican los símbolos y sus definiciones:

V voltios

Hz hertz

min minutos

—|—|... corriente directa

⚠ Construcción Clase I

(con conexión a tierra)

□ Construcción Clase II

(con aislamiento doble)

RPM.... revoluciones o

reciprocidad por minuto

GPM ... golpes por minuto

A amperios

W vatios

~ corriente alterna

⌚ corriente alterna o directa

n_0 velocidad sin carga

⊖ terminal a tierra

⚠ símbolo de alerta de seguridad

.../min ...por minuto

IPM impactos por minutos

DESCRIPCIÓN (FIG. 1)

⚠ADVERTENCIA: Nunca modifique la herramienta eléctrica ni ninguna pieza de esta. Puede producir daños o lesiones corporales.

A. Mango lateral

C. Agarradera principal

B. Conmutador

D. Manguito de la herramienta

USO DEBIDO

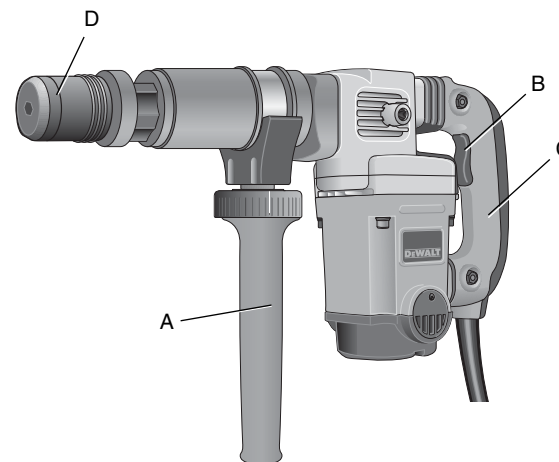
Este martillo demoledor está diseñado para aplicaciones profesionales, a nivel liviano o mediano, de astillado, cincelado y demolición en hormigón, ladrillo y mampostería.

NO utilice la herramienta en condiciones de humedad o en la presencia de líquidos o gases inflamables.

Estos martillos demoledor son herramientas eléctricas profesionales.

NO permita que los niños toquen la herramienta. Si el operador no tiene experiencia operando esta herramienta, su uso deberá ser supervisado.

FIG. 1



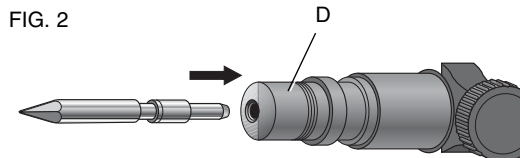
MONTAJE Y AJUSTES

⚠ADVERTENCIA : Para reducir el riesgo de lesiones, apague la unidad y desenchufe la máquina de la fuente de alimentación antes de instalar y quitar accesorios, y antes de realizar ajustes o reparaciones. Asegúrese que el conmutador tipo gatillo esté APAGADO. Un arranque accidental puede causar lesiones.

Para insertar y retirar cinceles (Fig. 2)

⚠ ADVERTENCIA : Siempre use guantes cuando cambie accesorios. Las partes metálicas expuestas de la herramienta y los accesorios pueden ponerse extremadamente calientes durante el funcionamiento.

1. Limpie y engrase el vástago de la broca.
2. Inserte el vástago de la broca en el portaherramientas/manguito de fijación (D).



3. Empuje la broca hacia abajo y gírela ligeramente hasta que encaje en las ranuras.
4. Tire de la broca para comprobar que esté bien sujeta. La función de martilleo precisa que la broca pueda moverse axialmente varios centímetros cuando está sujeta en el portaherramientas.
5. Para quitar una broca tire del portaherramientas / manguito de fijación (D) y extraiga la broca.

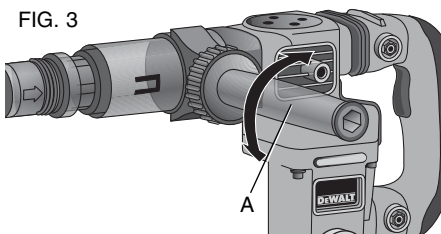
Instalación de la agarradera lateral (Fig. 3)

⚠ ADVERTENCIA : Se puede instalar la agarradera lateral (A) para que se acomode a usuarios diestros y zurdos.

1. Afloje la agarradera lateral.
2. **Para usuarios diestros:** deslice la abrazadera de la agarradera lateral sobre el collarín situado detrás del portaherramientas, con la agarradera a la izquierda.

Para usuarios zurdos: deslice la abrazadera de la agarradera lateral sobre el collarín situado detrás del portaherramientas, con la agarradera a la derecha.

3. Gira la agarradera lateral a la posición deseada y apriete la agarradera.



FUNCIONAMIENTO

⚠ ADVERTENCIA : Para reducir el riesgo de lesiones, apague la unidad y desconecte la herramienta de la fuente de alimentación antes de instalar o quitar accesorios o de hacer ajustes.

⚠ ADVERTENCIA : Observe siempre las instrucciones de seguridad y reglamentos aplicables.

⚠ ADVERTENCIA : Tenga en cuenta la ubicación de tuberías y cableado.

⚠ ADVERTENCIA : Aplique sólo un poco de presión a la herramienta (aprox. 5 Kg). La fuerza excesiva no acelera el cincelado, sino que degrada el desempeño de la herramienta y puede reducir su vida útil.

⚠ ADVERTENCIA : Siempre sostenga la herramienta firmemente con ambas manos y mantenga una postura firme (Fig. 4). Utilice siempre la herramienta con la agarradera lateral montada correctamente.

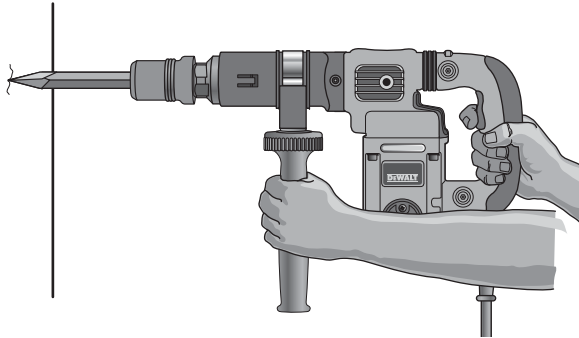
Posición adecuada de las manos (Fig. 1, 3)

⚠ ADVERTENCIA : Para reducir el riesgo de lesiones personales, SIEMPRE coloque bien las manos, tal como se muestra.

⚠ ADVERTENCIA : Para reducir el riesgo de lesiones personales, SIEMPRE debe de sujetar la herramienta correctamente para anticipar reacciones súbitas.

Mantenga una mano sobre la agarradera lateral (A) y la otra sobre la agarradera principal (C) para sujetar la máquina correctamente.

FIG. 4



Encendido y apagado (Fig. 1)

1. Para hacer funcionar la herramienta, oprima el conmutador (B).
2. Para detener la herramienta, suelte el conmutador.

Astillado y cincelado (Fig. 1)

⚠ ADVERTENCIA : No utilice esta herramienta para mezclar o mover con mayor facilidad líquidos combustibles o explosivos (bencina, alcohol, etc.). No mezcle ni remueva líquidos categorizados como inflamables.

1. Inserte el cincel adecuado.
2. Ajuste la agarradera lateral (A) de acuerdo con lo requerido.
3. Encienda la herramienta y comience a trabajar.
4. Siempre apague la herramienta cuando termine el trabajo y antes de desenchufar.

MANTENIMIENTO

Su herramienta eléctrica DEWALT ha sido diseñada para operar durante un período largo de tiempo necesitando un mínimo de mantenimiento. Su operación continuamente satisfactoria depende del cuidado apropiado de la herramienta y regularidad de limpieza. Esta herramienta no debe ser reparada por el usuario. Lleve la herramienta a un centro de servicio autorizado por DEWALT luego de aproximadamente 100 horas de uso para un mantenimiento preventivo. Si algún problema ocurre antes de este tiempo contacta a nuestro centro de servicio autorizado DEWALT

⚠ ADVERTENCIA : Para reducir el riesgo de lesiones, apague la unidad y desconecte de la fuente de alimentación antes de instalar o quitar accesorios o de hacer ajustes.

Escobillas del motor

La herramienta se apagará automáticamente cuando las escobillas de carbón estén desgastadas. DEWALT utiliza un avanzado sistema de escobillas que detiene automáticamente el trabajo cuando las escobillas se desgastan. Esto evita causar daños graves al motor. En los centros de servicio autorizados de DEWALT se dispone de nuevos conjuntos de escobillas. Siempre utilice repuestos idénticos

Lubricación

La herramienta eléctrica no requiere lubricación adicional.

Limpieza

⚠️ ADVERTENCIA: *Sople la suciedad y el polvo de la carcasa principal con aire seco siempre que vea acumularse el polvo alrededor de los respiraderos. Utilice protección ocular y mascarillas antipolvo aprobadas cuando realice este procedimiento.*

⚠️ ADVERTENCIA: *no use nunca disolventes ni otros agentes químicos agresivos para limpiar las piezas no metálicas de la herramienta. Estos agentes químicos pueden debilitar los materiales de dichas piezas. Use un trapo humedecido sólo con agua y jabón suave. No deje que penetre ningún líquido dentro de la herramienta y no sumerja ninguna pieza de la herramienta en líquidos.*

Accesorios

⚠️ ADVERTENCIA: *Dado que algunos accesorios, diferentes de los ofrecidos por DEWALT, no se han probado con este producto, el empleo de tales accesorios podría constituir un riesgo. Para reducir el riesgo de lesiones, sólo deben usarse con el producto los accesorios recomendados DEWALT.*

Si desea más información sobre los accesorios adecuados, consulte a su distribuidor.

Reparaciones

Para garantizar la SEGURIDAD y la CONFIABILIDAD, deberán hacerse reparaciones, mantenimiento y ajustes de esta herramienta en los centros autorizados de servicio DEWALT u otras organizaciones autorizadas. Estas organizaciones prestan servicio a las herramientas DEWALT y emplean siempre refacciones legítimas DEWALT.

ESPECIFICACIONES

	D25580-B3	D25580-B2	D25580-AR
Voltaje	120 V~	220 V~	220 V~
Vatios	1 050	1 050	1 050
BPM	3 600	3 600	3 600
Frecuencia	50–60 Hz	50–60 Hz	50 Hz
Posiciones para cincel	6	6	6
Portaherramientas	Hexagonal de 17 mm	Hexagonal de 17 mm	Hexagonal de 17 mm
Diámetro del collarín	65 mm	65 mm	65 mm

Definições: Diretrizes de Segurança

As definições abaixo apresentadas descrevem o grau de gravidade correspondente a cada palavra de advertência. Leia cuidadosamente o manual e preste atenção a estes símbolos.

⚠ PERIGO: Indica uma situação de risco iminente que, se não for evitada, **resultará em morte ou ferimentos graves.**

⚠ AVISO: Indica uma situação de risco potencial que, se não evitada, **poderá resultar em morte ou ferimentos graves.**

⚠ CUIDADO: Indica uma situação de risco potencial que, se não evitada, **poderá resultar em ferimentos leves ou moderados.**

AVISO: Se refere a uma prática **não relacionada a lesões corporais** que se não evitadas **podem resultar em danos materiais.**



AVISO: para reduzir o risco de ferimentos, leia o manual de instruções.

Regras Gerais de Segurança

⚠ AVISO! Leia todas as instruções. Falha no seguir de todas as instruções listadas abaixo pode resultar em choque elétrico, fogo e/ou em ferimento sério. O termo "ferramenta" em todos os avisos listados abaixo referem-se a ferramenta alimentada através de seu cordão ou a ferramenta operada a bateria (sem cordão).

GUARDE ESTAS INSTRUÇÕES

1) ÁREA DE TRABALHO

- Mantenha a área de trabalho limpa e iluminada.** As áreas desorganizadas e escuras são um convite aos acidentes.
- Não opere ferramentas em atmosferas explosivas, como na presença de líquidos inflamáveis, gases ou poeira.** As

ferramentas criam faíscas que podem inflamar a poeira ou os vapores.

- Mantenha crianças e visitantes afastados ao operar uma ferramenta.** As distrações podem fazer você perder o controle.

2) SEGURANÇA ELÉTRICA

- Os plugues da ferramenta devem ser compatíveis com as tomadas. Nunca modifique o plugue. Não use nenhum plugue adaptador com as ferramentas aterradas.** Os plugues sem modificações aliados a utilização de tomadas compatíveis reduzirão o risco de choque elétrico
- Evite o contato do corpo com superfícies ligadas ao terra ou aterradas tais como as tubulações, radiadores, escalas e refrigeradores.** Há um aumento no risco de choque elétrico se seu corpo for ligado ao terra ou aterramento.
- Não exponha a ferramentas à chuva ou às condições úmidas.** A água entrando na ferramenta aumentará o risco de choque elétrico.
- Não force o cabo elétrico. Nunca use o cabo elétrico para carregar, puxar ou o para desconectar a ferramenta da tomada. Mantenha o cabo elétrico longe do calor, óleo, bordas afiadas ou das partes em movimentos.** Os cabos danificados ou emaranhados aumentam o risco de choque elétrico.
- Ao operar uma ferramenta ao ar livre, use um cabo de extensão apropriado para o uso ao ar livre.** O uso de um cabo apropriado ao ar livre reduz o risco de choque elétrico.

3) SEGURANÇA PESSOAL

- Fique atento, olhe o que você está fazendo e use o bom senso ao operar uma ferramenta. Não use a ferramenta quando você estiver cansado ou sob a influência de drogas, álcool ou de medicamentos.** Um momento de desatenção enquanto opera uma ferramenta pode resultar em grave ferimento pessoal.

- b) **Use equipamento de segurança. Sempre use óculos de segurança.** O equipamento de segurança tais como a máscara contra a poeira, sapatos de segurança antiderrapantes, capacete de segurança, ou protetor auricular usados em condições apropriadas reduzirão os ferimentos pessoais.
- c) **Evite acidente inicial. Assegure que o interruptor está na posição desligada antes de conectar o plugue na tomada.** Carregar a ferramentas com seu dedo no interruptor ou conectar a ferramenta que apresenta o interruptor na posição “ligado” são um convite à acidentes.
- d) **Remova qualquer chave de ajuste antes de ligar a ferramenta.** Uma chave de boca ou de ajuste unida a uma parte rotativa da ferramenta pode resultar em ferimento pessoal.
- e) **Não force além do limite. Mantenha o apoio e o equilíbrio adequado todas as vezes que utilizar a ferramenta.** Isto permite melhor controle da ferramenta em situações inesperadas.
- f) **Vista-se apropriadamente. Não use roupas demasiadamente largas ou jóias.** Mantenha seus cabelos, roupas e luvas longe das peças móveis. A roupa folgada, jóias ou cabelos longos podem ser presos pelas partes em movimento.
- g) **Se os dispositivos são fornecidos com conexão para extração e coleta de pó, assegure que estes estão conectados e usados corretamente.** O uso destes dispositivos pode reduzir riscos relacionados a poeira.
- 4) USO E CUIDADOS DA FERRAMENTA**
- a) **Não force a ferramenta. Use a ferramenta correta para sua aplicação.** A ferramenta correta fará o trabalho melhor e mais seguro se utilizada dentro daquilo para a qual foi projetada.
- b) **Não use a ferramenta se o interruptor não ligar e desligar.** Qualquer ferramenta que não pode ser controlada com o interruptor é perigosa e deve ser reparada.
- c) **Desconecte o plugue da tomada antes de fazer qualquer tipo de ajuste, mudança de acessórios ou armazenamento de ferramentas.** Tais medidas de segurança preventivas reduzem o risco de se ligar a ferramenta acidentalmente.
- d) **Guarde as ferramentas fora do alcance das crianças e não permitam que pessoas não familiarizadas com a ferramenta ou com estas instruções operem a ferramenta.** As ferramentas são perigosas nas mãos de usuários não treinados.
- e) **Manutenção das ferramentas. Cheque o desalinhamento ou coesão das partes móveis, rachaduras e qualquer outra condição que possa afetar a operação da ferramenta. Se danificada, a ferramenta deve ser reparada antes do uso.** Muitos acidentes são causados pela pobre manutenção das ferramentas.
- f) **Mantenha ferramentas de corte afiadas e limpas.** A manutenção apropriada das ferramentas de corte com lâminas afiadas, tornam estas menos prováveis ao emperramento e são mais fáceis de controlar.
- g) **Use a ferramenta, acessórios, suas partes etc., de acordo com as instruções e na maneira designada para o tipo particular da ferramenta, levando em consideração as condições e o trabalho a ser desempenhado.** O uso da ferramenta em operações diferentes das designadas podem resultar em situações de risco.
- 5) REPAROS**
- a) **Tenha sua ferramenta reparada por um agente de reparos qualificado e que somente use peças originais.** Isto irá assegurar que a segurança da ferramenta seja mantida.

INSTRUÇÕES DE SEGURANÇA ESPECÍFICAS

Advertências de segurança para martelos rompedor

- **Use sempre protetores auriculares.** A exposição a ruídos pode causar perda de audição.
- **Use as empunhaduras auxiliares fornecidas com a ferramenta.** A perda do controle da ferramenta pode causar lesões corporais.
- **Segure sempre uma ferramenta elétrica usando as empunhaduras isoladas ao fazer um trabalho onde a ferramenta de corte possa entrar em contato com uma fiação oculta ou com o cabo elétrico da própria ferramenta.** Cortar um acessório que esteja em contato com um fio “vivo” pode carregar eletricamente as partes metálicas expostas da ferramenta e causar um choque elétrico no operador.
- **Informe-se junto à companhia de gás ou eletricidade para se assegurar que a superfície sendo perfurada não contém nenhuma tubulação de gás ou fiação elétrica oculta.**
- **Sempre segure firmemente a ferramenta. Nunca tente operar a ferramenta sem segurá-la com as duas mãos.** Operar a ferramenta com apenas uma mão levará à perda de controle da ferramenta. Também pode ser perigoso perfurar completamente o material ou encontrar materiais duros como, por exemplo, uma barra de reforço. Aperte firmemente a empunhadura lateral antes de usar a ferramenta.
- **Assegure-se de que o cinzel está bem preso no lugar antes de fazer funcionar a ferramenta.**
- **Em clima frio ou quando a ferramenta esteve sem uso por um período mais longo, deixe que ela funcione sem carga durante vários minutos antes de usá-la.**

- **Ao trabalhar acima do nível do chão, assegure-se que a área abaixo do local de trabalho esteja desimpedida.**
- **Para evitar queimaduras à pele, nunca toque o cinzel nem as peças próximas dele imediatamente após terminar de usar a ferramenta, pois talvez eles estejam extremamente quentes.**
- **Mantenha sempre o cabo de alimentação elétrica para trás para que fique longe do cinzel.**
- **Não trabalhe com esta ferramenta durante períodos muito longos.** A vibração criada pelo martelamento pode ser prejudicial para suas mãos e seus braços. Sempre use luvas para ajudar a amortizar as vibrações e descanse com frequência para limitar sua exposição.
- **Para sua segurança, os cabos de extensão devem ter um calibre adequado.** Uma extensão de menor calibre causará uma queda de voltagem o que resultará em perda de potência e superaquecimento da ferramenta. Ao usar mais de uma extensão para completar o comprimento total, tenha certeza de que os fios de cada extensão têm pelo menos o calibre mínimo. A tabela a seguir indica o tamanho que deve ser usado em função do comprimento do cabo e da amperagem nominal. Em caso de dúvida, use um fio de maior capacidade. Quanto menor o número do calibre, maior será a capacidade do cabo.

Tensão (Volts)	Comprimento do cabo de extensão em metros (m)				
	120 - 127V	0 - 7	7 - 15	15 - 30	30 - 50
220 - 240V	0 - 15	15 - 30	30 - 60	60 - 100	
Faixa de Corrente nominal (Ampères)	Secção mínima do cabo de extensão em milímetros quadrados (mm ²)				
	0 - 6A	1.0	1.5	1.5	2.5
	6 - 10A	1.0	1.5	2.5	4.0
	10 - 12A	1.5	1.5	2.5	4.0
	12 - 16A	2.5	4.0	Não Recomendado	

⚠ ATENÇÃO: Use sempre uma proteção para os olhos. Todos os usuários e outras pessoas presentes devem usar uma proteção para os olhos em conformidade com a norma ANSI Z87.1.

⚠ ATENÇÃO: Ao trabalhar com esta ferramenta, use sempre uma proteção adequada para seus ouvidos em conformidade com a norma ANSI S12.6 (S3.19). Sob algumas condições e dependendo do tempo de uso contínuo, o ruído produzido pela ferramenta pode contribuir para a perda da audição.

⚠ ATENÇÃO: Use SEMPRE óculos de segurança. Seus óculos de uso diário NÃO são óculos de segurança. Além disso, caso o trabalho de corte possa criar muito pó, use sempre uma máscara facial ou máscara contra pó. USE SEMPRE EQUIPAMENTOS DE SEGURANÇA CERTIFICADOS:

- Proteção para os olhos ANSI Z87.1 (CAN/CSA Z94.3),
- Proteção para os ouvidos ANSI S12.6 (S3.19),
- Proteção respiratória NIOSH/OSHA/MSHA.

⚠ ATENÇÃO: É possível que uma parte da poeira criada por algumas ferramentas elétricas de lixamento, serragem, esmerilhagem, perfuração e outras atividades de construção contenha substâncias químicas que comprovadamente causam câncer, defeitos congênitos ou problemas reprodutivos. Os seguintes são alguns exemplos desses produtos químicos:

- chumbo nas tintas à base de chumbo,
- sílica cristalina em tijolos, cimento e outros produtos de alvenaria, e
- arsênio e cromo em madeiras tratadas quimicamente com CCA (arseniato de cobre cromatado).

O risco de exposição a esses produtos varia dependendo da frequência de execução desse tipo de trabalho. A fim de reduzir sua exposição a essas substâncias químicas: trabalhe em áreas

bem ventiladas e usando equipamentos de segurança aprovados como, por exemplo, máscaras contra pó fabricadas especialmente para impedir a passagem de partículas microscópicas.

- Evite o contato prolongado com o pó produzido por lixamento, serragem, esmerilhagem, perfuração e outras atividades de construção. Vista roupas protetoras e lave com água e sabão as partes do corpo expostas. Permitir que o pó entre em contato com a boca, os olhos ou a pele pode provocar a absorção de produtos químicos nocivos pelo corpo.

⚠ ATENÇÃO: O uso desta ferramenta pode criar e/ou espalhar pó que pode causar lesões respiratórias e de outros tipos sérias e permanentes. Use sempre equipamentos adequados de proteção respiratória contra pó aprovados pelo NIOSH ou pela OSHA. Direcione as partículas para longe do rosto e do corpo.

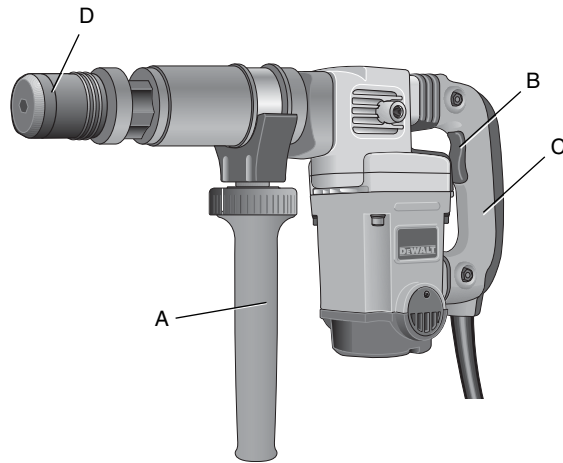
- A etiqueta de sua ferramenta pode incluir os símbolos abaixo. As definições de cada um deles são as seguintes:

V	volts	A	ampères
Hz	hertz	W	watts
min	minutos	~	corrente alternada
— —	corrente contínua	⋈	corrente alternada ou contínua
Ⓜ	Construção de Classe I (aterrado)	n ₀	rotações sem carga
Ⓧ	terminal de aterramento	□	Construção de Classe II (isolamento duplo)
⚠	símbolo de alerta de segurança	BPM....	batidas por minuto
.../min ...	por minuto	RPM ...	revoluções por minuto
IPM.....	impacto por minuto		

Descrição (fig. 1)

⚠️ AVISO: Nunca modifique a ferramenta eléctrica ou qualquer uma das suas peças. Podem ocorrer danos ou lesões.

FIG. 1



- | | |
|------------------------|--------------------------|
| A. Empunhadura lateral | C. Empunhadura principal |
| B. Interruptor | D. Manga |

USO DEVIDO DA FERRAMENTA

Este martelo rompedor foi fabricado para trabalhos profissionais leves ou médios de raspagem, cinzelamento e demolição em concreto, tijolos e alvenaria.

NUNCA USE esta ferramenta na presença de umidade nem de líquidos ou gases inflamáveis.

Os martelos rompedores são ferramentas eléctricas de uso profissional.

NUNCA deixe que nenhuma criança se aproxime da ferramenta. Os usuários que não tenham experiência com esta ferramenta devem sempre ser supervisionados.

MONTAGEM E AJUSTES

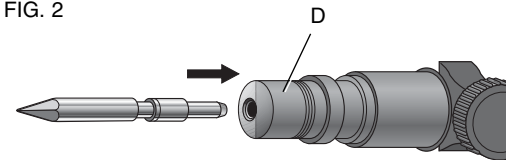
⚠️ ATENÇÃO: Para reduzir o risco de lesões corporais, sempre desligue a ferramenta e retire-a da corrente eléctrica antes de instalar ou retirar acessórios, antes de fazer ajustes e antes de consertá-la. Assegure-se que o gatilho interruptor esteja na posição "OFF" (desligado). O acionamento acidental da ferramenta pode causar ferimentos.

Como instalar e retirar um cinzel (fig. 2)

⚠️ ATENÇÃO: Sempre use luvas ao substituir um acessório. As partes metálicas expostas da ferramenta e os acessórios podem esquentar muito quando a ferramenta está sendo usada.

1. Limpe e lubrifique a haste da broca.
2. Insira a haste da broca na manga (D).

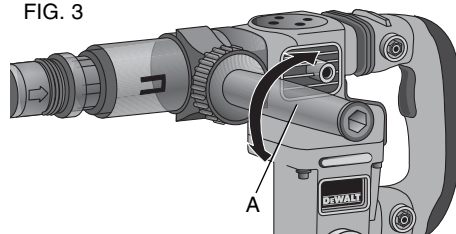
FIG. 2



3. Empurre a broca um pouco para baixo e gire levemente até que ela se encaixe nas fendas.
4. Puxe um pouco a broca para se assegurar que ela está travada firmemente no lugar. A função de martelamento exige que a broca seja capaz de se mover axialmente de vários centímetros quando estiver travada na manga.

5. Para retirar a broca, puxe a manga (D) para trás e retire a broca.

FIG. 3



Como instalar a empunhadura lateral (fig. 3)

⚠ATENÇÃO: Antes de usar esta ferramenta, assegure-se sempre que a empunhadura lateral está montada de maneira correta.

A empunhadura lateral (A) pode ser montada para que a ferramenta seja usada com a mão direita ou com a mão esquerda.

1. Afrouxe a empunhadura lateral.
2. **Para os usuários destros:** passe o prendedor da empunhadura lateral por cima do anel, atrás da manga, com a empunhadura do lado esquerdo.
Para os usuários canhotos: passe o prendedor da empunhadura lateral por cima do anel, atrás da manga, com a empunhadura do lado direito.
3. Gire a empunhadura lateral até a posição desejada e aperte a empunhadura.

COMO OPERAR A FERRAMENTA

⚠ATENÇÃO: Para reduzir o risco de lesões corporais, sempre desligue a ferramenta e retire-a da corrente elétrica antes de instalar ou retirar acessórios, e antes de fazer ajustes.

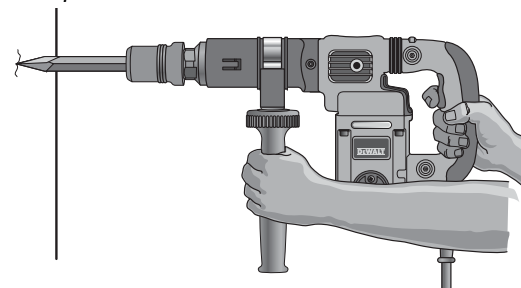
⚠ATENÇÃO: Siga sempre as instruções de segurança e os regulamentos aplicáveis.

⚠ATENÇÃO: Tome cuidado para não golpear nenhuma tubulação ou fiação oculta ao trabalhar com a ferramenta.

⚠ATENÇÃO: Exerça somente uma pequena pressão sobre a ferramenta (cerca de 5 kg). O uso de força excessiva não aumenta a rapidez do trabalho. Ao contrário, diminui o rendimento da ferramenta e pode reduzir a vida útil do aparelho.

⚠ATENÇÃO: Segure firmemente a ferramenta com as duas mãos a fim de ter um controle total sobre ela. (Figura 4). Sempre opere a ferramenta com a empunhadura lateral devidamente instalada e apertada.

FIG. 4



Como segurar corretamente a ferramenta (fig. 1, 3)

⚠ATENÇÃO: Para reduzir o risco de lesões graves, SEMPRE posicione corretamente a mão tal como mostra a ilustração.

⚠ATENÇÃO: Para reduzir o risco de lesões graves, SEMPRE segure firmemente a ferramenta para estar preparado em caso de uma reação súbita da ferramenta.

Para usar corretamente a ferramenta, segure a empunhadura lateral (A) com uma mão e segure a empunhadura principal (C) com a outra mão.

Como ligar e desligar a ferramenta (Fig. 1)

1. Para fazer funcionar a ferramenta, aperte o interruptor (B).
2. Para fazer parar a ferramenta, solte o interruptor.

Raspagem e cinzelamento (Fig. 1)

⚠ATENÇÃO: Nunca use esta ferramenta para facilitar a combinação ou mistura de combustíveis ou fluidos explosivos (benzeno, álcool, etc.). Nunca combine nem misture líquidos rotulados como inflamáveis.

1. Instale o cinzel adequado.
2. Ajuste a empunhadura lateral (A) de acordo com a necessidade.
3. Ligue a ferramenta e comece a trabalhar com ela.
4. Sempre desligue o interruptor da ferramenta ao terminar o trabalho e antes de desconectá-la da corrente elétrica.

MANUTENÇÃO

A sua ferramenta elétrica DEWALT foi fabricada para ser usada por muito tempo com um mínimo de manutenção. O funcionamento contínuo satisfatório depende da manutenção cuidadosa e da limpeza periódica da ferramenta.

Esta ferramenta não deve ser reparada pelo usuário final. Leve a ferramenta a nossa rede de assistência técnica pela DEWALT logo de aproximadamente 100 horas de uso para um serviço de manutenção preventivo. Si algum problema ocorre antes deste tempo contate a nossa rede de assistência técnica DEWALT.

⚠ATENÇÃO: Para reduzir o risco de lesões corporais, sempre desligue a ferramenta e retire-a da corrente elétrica antes de instalar ou retirar acessórios, e antes de fazer ajustes.

Escovas do motor

A ferramenta se desligará automaticamente quando as escovas de carbono estiverem gastas. A DEWALT usa um sistema de escovas avançado que pára automaticamente a ferramenta quando a escova está gasta. Isto impede a ocorrência de danos graves ao motor. Novos conjuntos de escovas estão disponíveis nos centros de serviço da DEWALT. Use sempre peças de reposição idênticas.

Lubrificação

Esta ferramenta eléctrica não requer lubrificação adicional.

Limpeza

⚠AVISO: Injecte ar seco para retirar a sujidade e o pó do alojamento principal, sempre que notar uma acumulação de sujidade nos respiradores ou em torno dos mesmos. Utilize uma protecção adequada para os olhos e uma máscara para o pó quando realizar esta operação.

⚠AVISO: Nunca utilize solventes ou outros químicos agressivos para limpar as partes não metálicas da ferramenta. Estes químicos podem enfraquecer os materiais utilizados nestas partes. Utilize um pano humedecido apenas com água e detergente suave. Nunca permita que entre nenhum líquido na ferramenta; nunca mergulhe qualquer parte da ferramenta em líquido.

Acessórios

⚠AVISO: Uma vez que os acessórios que não sejam os disponibilizados pela DEWALT não foram testados com este produto, a utilização de tais acessórios nesta ferramenta poderá ser perigosa. Para reduzir o risco de lesão, deverão utilizar-se apenas os acessórios recomendados pela DEWALT com este produto.

Consulte o seu revendedor para mais informações acerca dos acessórios adequados.

Reparos

Para assegurar a SEGURANÇA e a CONFIABILIDADE da ferramenta, os reparos, a manutenção e os ajustes (incluindo inspeção e substituição da escova) devem ser realizados por um centro de serviços autorizados da DEWALT ou outro pessoal técnico qualificado. Use sempre peças de reposição idênticas.

A DEWALT possui uma das maiores Redes de Serviços do País, Ligue: 0800-7034644 ou consulte nosso site: www.dewalt.com.br, para saber qual é a mais próxima de sua localidade.

ESPECIFICAÇÕES

	D25580-BR	D25580-B2
Voltagem	127 V ~	220 V ~
Watts	1 050	1 050
GPM	3 600	3 600
Frequência	60 Hz	50–60 Hz
Posições do cinzel	6	6
Manga	Hex 17 mm	Hex 17 mm
Diâmetro do anel	65 mm	65 mm





SOLAMENTE PARA PROPÓSITO DE ARGENTINA:
IMPORTADO POR: BLACK & DECKER ARGENTINA S.A.
PACHECO TRADE CENTER
COLECTORA ESTE DE RUTA PANAMERICANA
KM. 32.0 EL TALAR DE PACHECO
PARTIDO DE TIGRE
BUENOS AIRES (B1618FBQ)
REPÚBLICA DE ARGENTINA
NO. DE IMPORTADOR: 1146/66
TEL. (011) 4726-4400

SOLAMENTE PARA PROPÓSITO DE MÉXICO:
IMPORTADO POR: BLACK & DECKER S.A. DE C.V.
BOSQUES DE CIDROS, ACCESO RADIATAS NO. 42
3A. SECCIÓN DE BOSQUES DE LAS LOMAS
DELEGACIÓN CUAJIMALPA,
05120, MÉXICO, D.F.
TEL. (52) 555-326-7100
R.F.C.: BDE810626-1W7

IMPORTED BY/IMPORTADO POR:
BLACK & DECKER DO BRASIL LTDA.
ROD. BR 050, S/Nº - KM 167
DIST. INDUSTRIAL II
UBERABA - MG - CEP: 38064-750
CNPJ: 53.296.273/0001-91
INSC. EST.: 701.948.711.00-98
S.A.C.: 0800-703-4644

MAQUINAS Y HERRAMIENTAS BLACK & DECKER CHILE S.A.
AVDA. EDUARDO FREI M. #6001 EDIFICIO 67
CONCHALI-SANTIAGO
CHILE

HECHO EN CHINA
FABRICADO NA CHINA
MADE IN CHINA

DEWALT Industrial Tool Co., 701 East Joppa Road, Baltimore, MD 21286
(JUL10) Part No. N073506 D25580 Copyright © 2010 DEWALT

The following are trademarks for one or more DEWALT power tools: the yellow and black color scheme; the "D" shaped air intake grill; the array of pyramids on the handgrip; the kit box configuration; and the array of lozenge-shaped humps on the surface of the tool.