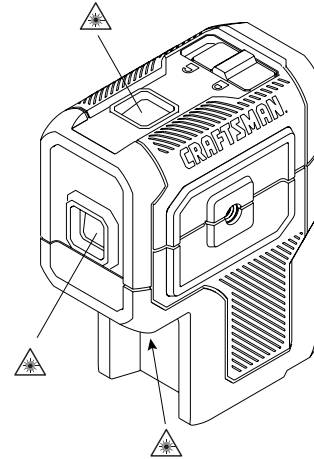


CRAFTSMAN®

CMHT77632



	LASER 2	
CMHT77632 ≤1mW @ 630-680nm IEC 60825-1: 2014		

Complies with 21 CFR 1040.10 and 1040.11 except for deviations pursuant to Laser Notice No. 50, dated June 24, 2007



www.CRAFTSMAN.com

© 2018 CRAFTSMAN
701 East Joppa Road
Towson, MD 21286

Made in China

N599506 October 2018

