

CRAFTSMAN®

INSTRUCTION MANUAL | GUIDE D'UTILISATION | MANUAL DE INSTRUCCIONES

6.0 Amp Corded Hand Planer **Dégauchisseuse à main câblée - 6,0 A** **Cepilladora Manual Alámbrica de 6,0 Amps**

CMEW300



IF YOU HAVE QUESTIONS OR COMMENTS, CONTACT US.
POUR TOUTE QUESTION OU TOUT COMMENTAIRE, NOUS CONTACTER.
SI TIENE DUDAS O COMENTARIOS, CONTÁCTENOS.

1-888-331-4569 **WWW.CRAFTSMAN.COM**

English (***original instructions***)

1

Français (*traduction de la notice d'instructions originale*)

10

Español (*traducido de las instrucciones originales*)

20

Definitions: Safety Alert Symbols and Words

This instruction manual uses the following safety alert symbols and words to alert you to hazardous situations and your risk of personal injury or property damage.



DANGER: Indicates an imminently hazardous situation which, if not avoided, **will** result in **death or serious injury**.



WARNING: Indicates a potentially hazardous situation which, if not avoided, **could** result in **death or serious injury**.



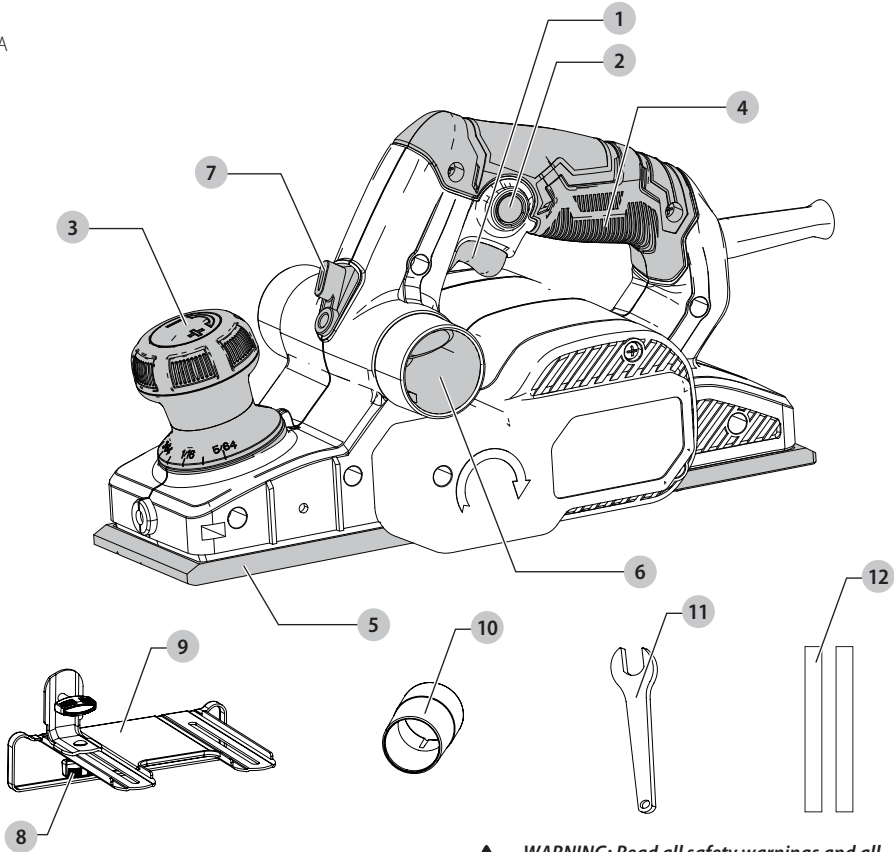
CAUTION: Indicates a potentially hazardous situation which, if not avoided, **may** result in **minor or moderate injury**.



(Used without word) Indicates a safety related message.

NOTICE: Indicates a practice **not related to personal injury** which, if not avoided, **may** result in **property damage**.

Fig. A



COMPONENTS

- | | |
|--|--------------------------------|
| 1 Trigger switch | 7 Chip deflector lever |
| 2 Lock-on button | 8 Rabbet fence adjustment knob |
| 3 Depth adjustment knob/
front handle | 9 Rabbet fence |
| 4 Switch handle | 10 Vac adaptor |
| 5 Shoe | 11 Wrench |
| 6 Chip discharge chute | 12 Blades (installed on unit) |



WARNING: Read all safety warnings and all instructions. Failure to follow the warnings and instructions may result in electric shock, fire and/or serious injury.



WARNING: Never modify the power tool or any part of it. Damage or personal injury could result.



WARNING: To reduce the risk of injury, read the instruction manual.

If you have any questions or comments about this or any product, call CRAFTSMAN toll free at: **1-888-331-4569**.

6.0 Amp Corded Hand Planer CMEW300

GENERAL POWER TOOL SAFETY WARNINGS



WARNING: Read all safety warnings, instructions, illustrations and specifications provided with this power tool. Failure to follow all instructions listed below may result in electric shock, fire and/or serious injury.

SAVE ALL WARNINGS AND INSTRUCTIONS FOR FUTURE REFERENCE

The term "power tool" in the warnings refers to your mains-operated (corded) power tool or battery-operated (cordless) power tool.

1) Work Area Safety

- a) **Keep work area clean and well lit.** Cluttered or dark areas invite accidents.
- b) **Do not operate power tools in explosive atmospheres, such as in the presence of flammable liquids, gases or dust.** Power tools create sparks which may ignite the dust or fumes.
- c) **Keep children and bystanders away while operating a power tool.** Distractions can cause you to lose control.

2) Electrical Safety

- a) **Power tool plugs must match the outlet. Never modify the plug in any way. Do not use any adapter plugs with earthed (grounded) power tools.** Unmodified plugs and matching outlets will reduce risk of electric shock.
- b) **Avoid body contact with earthed or grounded surfaces such as pipes, radiators, ranges and refrigerators.** There is an increased risk of electric shock if your body is earthed or grounded.
- c) **Do not expose power tools to rain or wet conditions.** Water entering a power tool will increase the risk of electric shock.
- d) **Do not abuse the cord. Never use the cord for carrying, pulling or unplugging the power tool. Keep cord away from heat, oil, sharp edges or moving parts.** Damaged or entangled cords increase the risk of electric shock.
- e) **When operating a power tool outdoors, use an extension cord suitable for outdoor use.** Use of a cord suitable for outdoor use reduces the risk of electric shock.
- f) **If operating a power tool in a damp location is unavoidable, use a ground fault circuit interrupter (GFCI) protected supply.** Use of a GFCI reduces the risk of electric shock.

3) Personal Safety

- a) **Stay alert, watch what you are doing and use common sense when operating a power tool. Do not use a power tool while you are tired or under the influence of drugs, alcohol or medication. A**

moment of inattention while operating power tools may result in serious personal injury.

- b) **Use personal protective equipment. Always wear eye protection.** Protective equipment such as dust mask, non-skid safety shoes, hard hat, or hearing protection used for appropriate conditions will reduce personal injuries.
- c) **Prevent unintentional starting. Ensure the switch is in the off position before connecting to power source and/or battery pack, picking up or carrying the tool.** Carrying power tools with your finger on the switch or energizing power tools that have the switch on invites accidents.
- d) **Remove any adjusting key or wrench before turning the power tool on.** A wrench or a key left attached to a rotating part of the power tool may result in personal injury.
- e) **Do not overreach. Keep proper footing and balance at all times.** This enables better control of the power tool in unexpected situations.
- f) **Dress properly. Do not wear loose clothing or jewelry. Keep your hair, clothing and gloves away from moving parts.** Loose clothes, jewelry or long hair can be caught in moving parts.
- g) **If devices are provided for the connection of dust extraction and collection facilities, ensure these are connected and properly used.** Use of dust collection can reduce dust-related hazards.
- h) **Do not let familiarity gained from frequent use of tools allow you to become complacent and ignore tool safety principles.** A careless action can cause severe injury within a fraction of a second.

4) Power Tool Use and Care

- a) **Do not force the power tool. Use the correct power tool for your application.** The correct power tool will do the job better and safer at the rate for which it was designed.
- b) **Do not use the power tool if the switch does not turn it on and off.** Any power tool that cannot be controlled with the switch is dangerous and must be repaired.
- c) **Disconnect the plug from the power source and/or remove the battery, pack if detachable, from the power tool before making any adjustments, changing accessories, or storing power tools.** Such preventive safety measures reduce the risk of starting the power tool accidentally.
- d) **Store idle power tools out of the reach of children and do not allow persons unfamiliar with the power tool or these instructions to operate the power tool.** Power tools are dangerous in the hands of untrained users.
- e) **Maintain power tools and accessories. Check for misalignment or binding of moving parts, breakage of parts and any other condition that may affect the power tool's operation. If**

damaged, have the power tool repaired before use. Many accidents are caused by poorly maintained power tools.

- f) **Keep cutting tools sharp and clean.** Properly maintained cutting tools with sharp cutting edges are less likely to bind and are easier to control.
- g) **Use the power tool, accessories and tool bits, etc. in accordance with these instructions, taking into account the working conditions and the work to be performed.** Use of the power tool for operations different from those intended could result in a hazardous situation.
- h) **Keep handles and grasping surfaces dry, clean and free from oil and grease.** Slippery handles and grasping surfaces do not allow for safe handling and control of the tool in unexpected situations.

5) Service

- a) **Have your power tool serviced by a qualified repair person using only identical replacement parts.** This will ensure that the safety of the power tool is maintained.

Additional Safety Warnings

- **Wait for the cutter to stop before setting the tool down.** An exposed rotating cutter may engage the surface leading to possible loss of control and serious injury.
- **Hold power tool by insulated gripping surfaces only, because the cutter may contact its own cord.** Cutting a "live" wire may make exposed metal parts of the power tool "live" and could give the operator an electric shock.
- **Use clamps or another practical way to secure and support the workpiece to a stable platform.** Holding the work by hand or against the body leaves it unstable and may lead to loss of control.
- **To reduce the risk of injury, user must read and understand instruction manual before operating planer.**
- **Be sure the voltage agrees with specific data on the nameplate.**
- **Make certain that the switch is in the OFF position before connecting plug to a power source.**
- **Be sure to switch OFF immediately if tool is jammed in work.**
- **Be sure tool is set for correct depth before turning switch to ON.**
- **Be sure to use specified replacement parts only.**
- **Be sure tool is disconnected from power source when cleaning or making adjustments to the tool.**
- **Be sure to maintain tool with care. Follow instructions for lubricating and changing accessories.**
- **Stay alert – never operate the unit when tired or under the influence of drugs, alcohol, or medication.**
- **Be sure to store tool in a clean dry place after disconnecting from power source.**

- **Do not use in dangerous environments. Do not use near flammable substances, in damp or wet locations, or expose to rain.**
- **Be sure that the blades are mounted as described in the instruction manual and check that all screws are firmly tightened before connecting unit to power source.**
- **Keep air vents unobstructed for proper motor cooling.**
- **DO NOT lay tool down on shoe when the blades are exposed.** This can chip the blades.
- **Keep side discharge chute unobstructed at all times.**
- **Never reach under the tool for any reason unless it is turned OFF and UNPLUGGED.** BLADES ARE EXPOSED AND EXTREMELY SHARP.
- **Use this tool for working with wood and wood products only.**
- **Never operate without securely holding the front handle.**
- **Always operate planer with two hands.**
- **Planer blades are extremely sharp.** Handle with great care.
- **Clean out your tool often, especially after heavy use.**
- **Always make sure the work surface is free from nails and other foreign objects.**
- **Air vents often cover moving parts and should be avoided.** Loose clothes, jewelry or long hair can be caught in moving parts.

Additional Safety Information



WARNING: ALWAYS use safety glasses. Everyday eyeglasses are NOT safety glasses. Also use face or dust mask if operation is dusty. ALWAYS WEAR CERTIFIED SAFETY EQUIPMENT:

- ANSI Z87.1 eye protection (CAN/CSA Z94.3),
- ANSI S12.6 (S3.19) hearing protection,
- NIOSH/OSHA/MSHA respiratory protection.



WARNING: Some dust created by power sanding, sawing, grinding, drilling, and other construction activities contains chemicals known to the State of California to cause cancer, birth defects or other reproductive harm. Some examples of these chemicals are:

- lead from lead-based paints,
- crystalline silica from bricks and cement and other masonry products, and
- arsenic and chromium from chemically-treated lumber.

Your risk from these exposures varies, depending on how often you do this type of work. To reduce your exposure to these chemicals: work in a well ventilated area, and work with approved safety equipment, such as those dust masks that are specially designed to filter out microscopic particles.

- **Avoid prolonged contact with dust from power sanding, sawing, grinding, drilling, and other construction activities. Wear protective clothing and**

ENGLISH

wash exposed areas with soap and water. Allowing dust to get into your mouth, eyes, or lay on the skin may promote absorption of harmful chemicals.

WARNING: Use of this tool can generate and/or disperse dust, which may cause serious and permanent respiratory or other injury. Always use NIOSH/OSHA approved respiratory protection appropriate for the dust exposure. Direct particles away from face and body.

WARNING: Always wear proper personal hearing protection that conforms to ANSI S12.6 (S3.19) during use. Under some conditions and duration of use, noise from this product may contribute to hearing loss.

CAUTION: When not in use, place tool on its side on a stable surface where it will not cause a tripping or falling hazard. Some tools will stand upright but may be easily knocked over.

An extension cord must have adequate wire size (AWG or American Wire Gauge) for safety. The smaller the gauge number of the wire, the greater the capacity of the cable, that is, 16 gauge has more capacity than 18 gauge. An undersized cord will cause a drop in line voltage resulting in loss of power and overheating. When using more than one extension to make up the total length, be sure each individual extension contains at least the minimum wire size. The following table shows the correct size to use depending on cord length and nameplate ampere rating. If in doubt, use the next heavier gauge. The lower the gauge number, the heavier the cord.

Minimum Gauge for Cord Sets

Volts		Total Length of Cord in Feet (meters)				
120 V		25 (7.6)	50 (15.2)	100 (30.5)	150 (45.7)	
240 V		50 (15.2)	100 (30.5)	200 (61.0)	300 (91.4)	
Ampere Rating	More Than	Not More Than	American Wire Gauge			
			0	6	10	12
	0	6	18	16	16	14
	6	10	18	16	14	12
	10	12	16	16	14	12
	12	16	14	12	Not Recommended	

The label on your tool may include the following symbols. The symbols and their definitions are as follows:

- V volts
- RPM revolutions per minute
- Hz hertz
- min minutes
- sfpm surface feet per minute
- or DC direct current
- SPM strokes per minute
- Ⓛ Class I Construction (grounded)
- OPM oscillations per minute
- .../min per minute
- A amperes
- BPM beats per minute
- W watts
- IPM impacts per minute

- ~ or AC alternating current
- ⚠ avoid staring at light
- ⎓ or AC/DC alternating or direct current
- Ⓜ wear respiratory protection
- Ⓛ Class II Construction (double insulated)
- Ⓜ wear eye protection
- n₀ no load speed
- n rated speed
- Ⓜ wear hearing protection
- Ⓜ earthing terminal
- Ⓜ read all documentation
- ⚠ safety alert symbol
- ⚠ visible radiation
- IPXX IP symbol

SAVE THESE INSTRUCTIONS FOR FUTURE USE

COMPONENTS (FIG. A)

Motor

Be sure your power supply agrees with the nameplate marking. Voltage decrease of more than 10% will cause loss of power and overheating. These tools are factory tested; if this tool does not operate, check power supply.

Your machine is wired for 120 Volts, 60 HZ alternating current. Before connecting the machine to the power source, make sure the switch is in the OFF position.

Intended Use

This hand planer is designed for residential use for planing applications of wood and wood products.

DO NOT use under wet conditions or in presence of flammable liquids or gases.

DO NOT let children come into contact with the tool. Supervision is required when inexperienced operators use this tool.

ASSEMBLY AND ADJUSTMENTS

WARNING: To reduce the risk of serious personal injury, turn unit off and disconnect it from power source before making any adjustments or removing/installing attachments or accessories. An accidental start-up can cause injury.

Switch and Lock-On Button (Fig. B)

CAUTION: Check that the tool is not locked on before connecting it to a power supply. If the trigger switch is locked on when the tool is connected to the power supply, it will start immediately. Damage to your tool or personal injury may result.

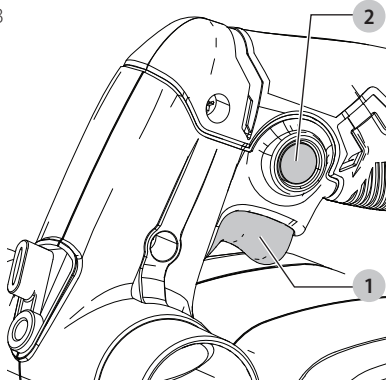
CAUTION: Allow the tool to reach full speed before touching tool to the work surface. Lift the tool from the work surface before turning the tool off.

1. To start the planer, depress the trigger switch ① in Figure B. To turn the planer off, release the trigger switch.
2. The tool can be locked on for continuous use. To lock the tool ON depress the trigger switch ① and push in the lock-on button ②. Hold the lock-on button in as you

gently release the trigger switch. The tool will continue to run.

3. To turn the tool off from a locked-on position, squeeze and release the trigger once.

Fig. B

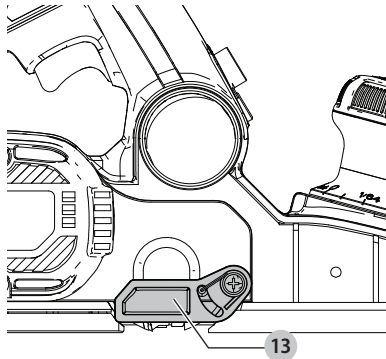


Blade Guard (Fig. C)

1. Ensure that the spring loaded blade guard **13** is in proper working order before using the planer.

WARNING: Cut Hazard. Do not remove guard.

Fig. C



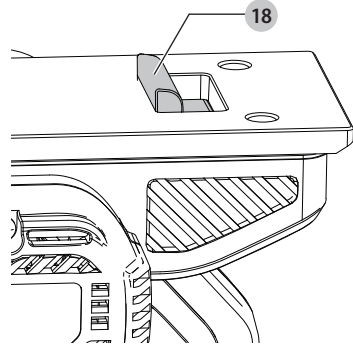
Parking Foot (Fig. D)

1. Your planer is equipped with a parking foot **18** that automatically lowers into place when the tool is lifted from the work surface. When planing, the parking foot raises as the tool is pushed forward. When the parking foot is lowered, the planer can set on the work surface without the blade touching.

CAUTION: Do not lock the trigger switch on and engage the parking foot. The vibration of the running motor will cause the planer to move, possibly falling from the workpiece.

CAUTION: Be sure that the parking foot is correctly extended when setting the planer on a work surface.

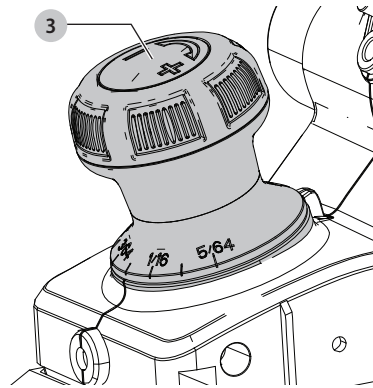
Fig. D



Adjusting Planing Depth (Fig. E)

1. Planing depth is infinitely variable from 0 to 5/64" (2 mm). To adjust the cutting depth, rotate the depth adjustment knob/front handle **3** clockwise from the "P" position. The cutting depth will increase from 0 to as much as .079" (2 mm).
2. It is recommended that test cuts be made in scrap wood after each re-adjustment to make sure that the desired amount of wood is being removed by the planer. Several shallow passes (rather than one deep one) will produce a smoother finish.

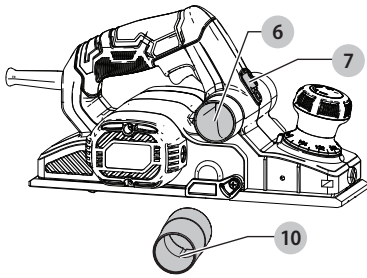
Fig. E



Vacuum Adaptor (Fig. F)

1. Slide the vacuum adaptor **10** over the chip discharge chute **6**.
2. Connect a vacuum cleaner hose (not included) to the adaptor.
3. To prevent chips from coming out opposite side of chip discharge chute, move chip deflector lever **7** to the opposite side of the adaptor.

Fig. F



OPERATION

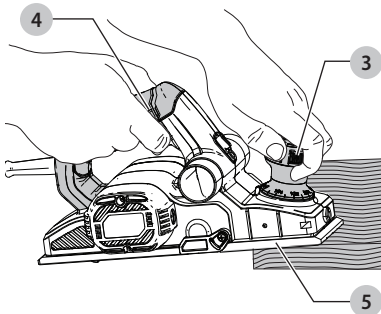
⚠ WARNING: To reduce the risk of serious personal injury, turn unit off and disconnect it from power source before making any adjustments or removing/installing attachments or accessories. An accidental start-up can cause injury.

Proper Hand Position (Fig. G)

- ⚠ WARNING:** To reduce the risk of serious personal injury, ALWAYS use proper hand position as shown.
- ⚠ WARNING:** To reduce the risk of serious personal injury, ALWAYS hold securely in anticipation of a sudden reaction.

Hold the planer in the correct position with one hand on the front handle **3** and the other hand on the switch handle **4**.

Fig. G



Planing (Fig. A, H, I)

- ⚠ WARNING:** Wait for the cutter to stop before setting the tool down. An exposed cutter may engage the surface leading to possible loss of control and serious injury.
- ⚠ CAUTION:** Allow the tool to reach full speed before touching tool to the work surface. Lift the tool from the work surface before turning the tool off.

1. Place the front of the shoe **5** on the surface to be planed, making certain that the cutting blades are not touching the surface. Push down firmly on the front handle of the planer so that the front shoe is

- ABSOLUTELY FLAT on the work surface. Squeeze the trigger switch and allow the motor to reach full speed before touching the planer blades to the work surface.
2. Move the tool slowly into the work and maintain downward pressure to keep the planer flat. Be particularly careful to keep the tool flat at the beginning and the end of the work surface.
 3. Planing Tip: For a smoother appearance, fasten a piece of scrap wood to the end of the piece you are planing. Don't stop planing until the cutting blades of the planer are past your work piece and into the scrap material.

Fig. H



Fig. I



Rabbit Fence (Fig. J, K)

⚠ CAUTION: Allow the tool to reach full speed before touching tool to the work surface. Lift the tool from the work surface before turning the tool off.

1. The rabbit fence **9** can be installed on either side of your planer. The planer can make rabbit cuts up to 0.5" (12 mm).

To Install Rabbit Fence

- a. Thread the knob **14** into the hole on the side of the planer shown with arrow in Figure J.
- b. Loosen the rabbit fence adjustment knob **8** and adjust fence to desired distance.
- c. Securely tighten rabbit fence adjustment knob.

- d. The rabbet fence should be below the planer when installed correctly as shown in Figure K.

To Make a Rabbet Cut

- Turn the rabbet fence adjustment knob **8** to adjust the desired width of cut.
- Make several cuts until the desired depth is reached.

NOTE: It will be necessary to make quite a few cuts for most rabbet applications.

Fig. J

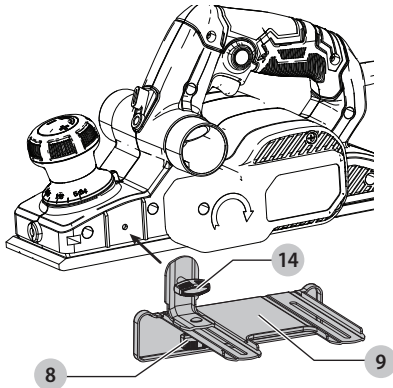
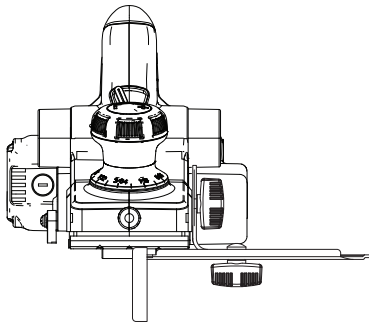


Fig. K

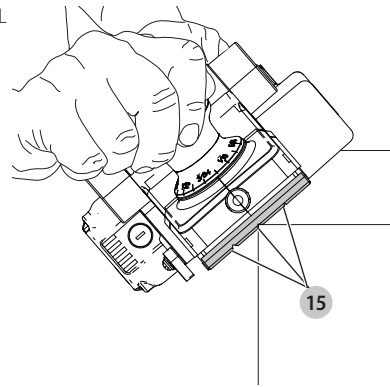


Edge Chamfering (Fig. L)

- Your planer has three precision machined chamfering grooves 1.5 mm, 2.0 mm and 2.5 mm **15**. They are located in the front shoe and are used for planing along a corner of the material.
 - Adjust to desired depth of cut.
 - Place groove over edge of material.
 - Apply weight to front of shoe so groove is flat on material edge.
 - Hold tool with both hands keeping pressure on front handle.

NOTE: It's a good idea to try a piece of scrap wood before doing finish work.

Fig. L



MAINTENANCE



WARNING: To reduce the risk of serious personal injury, turn unit off and disconnect it from power source before making any adjustments or removing/installing attachments or accessories. An accidental start-up can cause injury.

To Change Blades (Fig. M)



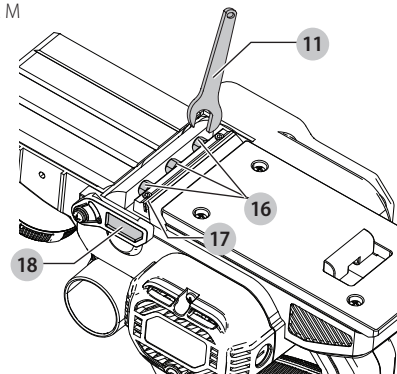
WARNING: Cut Hazard. Do not remove guard. Planer blades are sharp and must be handled with care.

NOTE: The CMEW300 has two blades, one on each side of the blade drum. Any operation or adjustment should be made to both blades. The cutting blades provided with this tool are reversible.

To Remove Blade from Planer

- Place planer upside down as shown in Figure M.
- Loosen the three nuts **16** using the wrench **11** supplied.
- Rotate the blade guard **18** downward. Carefully remove the blade **17** by sliding it out of the holder. A piece of wood may be used for this purpose.
- Reverse the blade so that the unused side comes in position. If both sides are worn, the blade must be replaced.

Fig. M



To Reinstall Blade

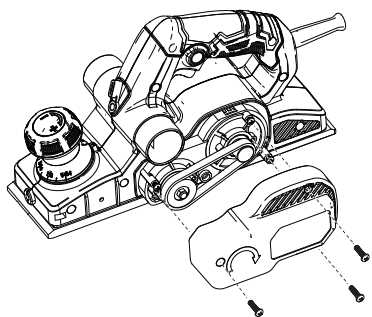
1. Slide the blade sideways into the holder until it is against the end stop. Blade groove must be toward back of unit.
2. Securely tighten the three nuts using the wrench supplied. Rotate the blade drum 180° and repeat for other blade.
3. Always replace both blades.

Drive Belt (Fig. N)

To Replace Belt

1. Loosen the three screws shown in Figure N and remove the belt cover.
2. Remove old belt.
3. Place new belt over front pulley then rotate belt clockwise while pushing belt onto back pulley.
4. Attach belt cover and securely tighten screws.

Fig. N



Cleaning

WARNING: Blow dirt and dust out of all air vents with clean, dry air at least once a week. To minimize the risk of eye injury, always wear ANSI Z87.1 approved eye protection when performing this procedure.

WARNING: Never use solvents or other harsh chemicals for cleaning the non-metallic parts of the tool. These chemicals may weaken the plastic materials used in these parts. Use a cloth dampened only with water and mild soap. Never let any liquid get inside the tool; never immerse any part of the tool into a liquid.

WARNING: Turn off and unplug unit before cleaning chip discharge chute. Clean the chip discharge chute 6 regularly. Blow dust and chips from the dust port with clean dry air. ALWAYS WEAR SAFETY GLASSES.

Accessories

WARNING: Since accessories, other than those offered by CRAFTSMAN, have not been tested with this product, use of such accessories with this tool could be hazardous. To reduce the risk of injury, only CRAFTSMAN recommended accessories should be used with this product.

Recommended accessories for use with your tool are available at extra cost from your local dealer or authorized service center. If you need assistance in locating any accessory, please contact CRAFTSMAN, call **1-888-331-4569**.

Repairs

WARNING: To assure product SAFETY and RELIABILITY, repairs, maintenance and adjustment (including power cord repairs, and brush inspection and replacement, when applicable) should be performed by a CRAFTSMAN factory service center or a CRAFTSMAN authorized service center. Always use identical replacement parts.

Register Online

Thank you for your purchase. Register your product now for:

- **WARRANTY SERVICE:** Registering your product will help you obtain more efficient warranty service in case there is a problem with your product.
- **CONFIRMATION OF OWNERSHIP:** In case of an insurance loss, such as fire, flood or theft, your registration of ownership will serve as your proof of purchase.
- **FOR YOUR SAFETY:** Registering your product will allow us to contact you in the unlikely event a safety notification is required under the Federal Consumer Safety Act.

Register online at www.craftsman.com/

Three Year Limited Warranty

CRAFTSMAN will repair or replace, without charge, any defects due to faulty materials or workmanship for three years from the date of purchase. This warranty does not cover part failure due to normal wear or tool abuse. For further detail of warranty coverage and warranty repair information, visit www.craftsman.com or call **1-888-331-4569**. This warranty does not apply to accessories or damage caused where repairs have been made or attempted by others. THIS LIMITED WARRANTY IS GIVEN IN LIEU OF ALL OTHERS, INCLUDING THE IMPLIED WARRANTY OF MERCHANTABILITY AND FITNESS FOR A PARTICULAR PURPOSE, AND EXCLUDES ALL INCIDENTAL OR CONSEQUENTIAL DAMAGES. Some states do not allow limitations on how long an implied warranty lasts or the exclusion or limitation of incidental or consequential damages, so these limitations may not apply to you. This warranty gives you specific legal rights and you may have other rights which vary in certain states or provinces.

90 DAY MONEY BACK GUARANTEE

If you are not completely satisfied with the performance of your CRAFTSMAN Power Tool or Nailer for any reason, you can return it within 90 days from the date of purchase with a receipt for a full refund – no questions asked.

LATIN AMERICA: This warranty does not apply to products sold in Latin America. For products sold in Latin America, see country specific warranty information contained in the packaging, call the local company or see website for warranty information.

FREE WARNING LABEL REPLACEMENT: If your warning labels become illegible or are missing, call **1-888-331-4569** for a free replacement.

TROUBLESHOOTING GUIDE

BE SURE TO FOLLOW SAFETY RULES AND INSTRUCTIONS

For assistance with your product, visit our website at www.craftsman.com for a list of service centers, or call CRAFTSMAN at 1-888-331-4569.

PROBLEM	CAUSE	CORRECTION
Unit will not start.	Cord not plugged in.	Plug tool into a working outlet.
	Circuit fuse is blown.	Replace circuit fuse. (If the product repeatedly causes the circuit fuse to blow, discontinue use immediately and have it serviced at an authorized service center.)
	Circuit breaker is tripped.	Reset circuit breaker. (If the product repeatedly causes the circuit fuse to blow, discontinue use immediately and have it serviced at an authorized service center.)
	Cord or switch is damaged.	Have cord or switch replaced at an authorized service center.

Définitions : symboles et termes d'alarmes sécurité

Ces guides d'utilisation utilisent les symboles et termes d'alarmes sécurité suivants pour vous prévenir de situations dangereuses et de risques de dommages corporels ou matériels.



DANGER : indique une situation dangereuse imminente qui, si elle n'est pas évitée, **entraînera la mort ou des blessures graves**.



AVERTISSEMENT : indique une situation potentiellement dangereuse qui, si elle n'est pas évitée, **pourrait entraîner la mort ou des blessures graves**.



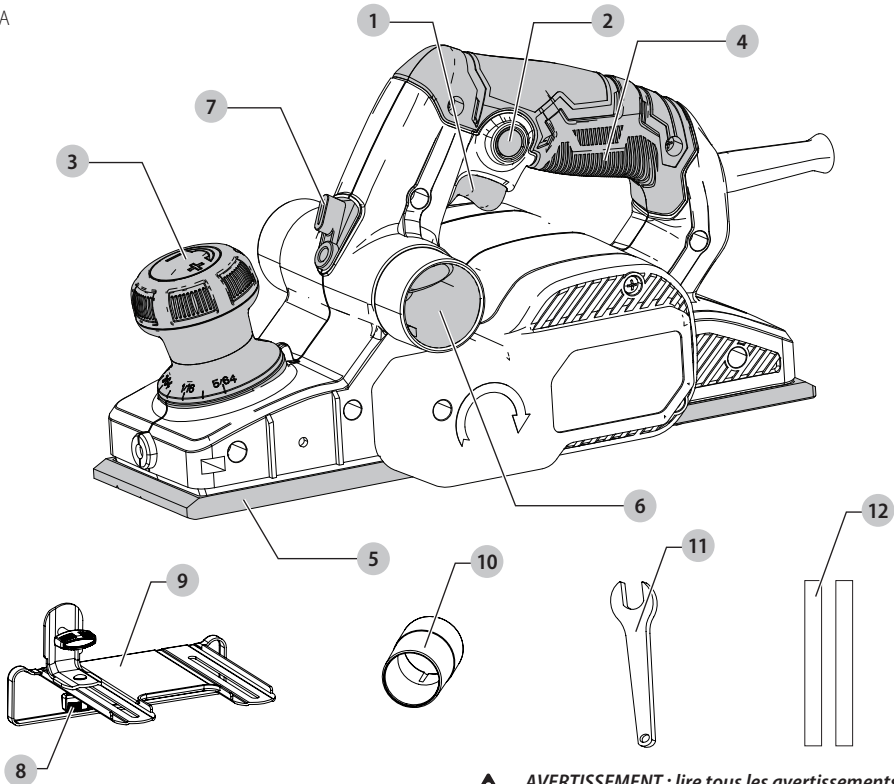
ATTENTION : indique une situation potentiellement dangereuse qui, si elle n'est pas évitée, **pourrait entraîner des blessures légères ou modérées**.



(Si utilisé sans aucun terme) Indique un message propre à la sécurité.

AVIS : indique une pratique ne posant **aucun risque de dommages corporels** mais qui par contre, si rien n'est fait pour l'éviter, **pourrait poser des risques de dommages matériels**.

Fig. A



DESCRIPTION

- | | |
|--|---|
| 1 Gâchette | 7 Levier du déflecteur à copeaux |
| 2 Bouton de verrouillage | 8 Bouton de réglage du guide de râblure |
| 3 Bouton de réglage de la profondeur / poignée avant | 9 Guide de râblure |
| 4 Poignée avec gâchette | 10 Adaptateur pour aspirateur |
| 5 Patin | 11 Clé |
| 6 Goulotte d'évacuation des copeaux | 12 Lames (installées sur l'unité) |



AVERTISSEMENT : lire tous les avertissements de sécurité et toutes les directives. Le non-respect des avertissements et des directives pourrait se solder par un choc électrique, un incendie et/ou une blessure grave.



AVERTISSEMENT : ne jamais modifier l'outil électrique ni aucun de ses composants, car il y a des risques de dommages corporels ou matériels.



AVERTISSEMENT : afin de réduire le risque de blessures, lire le mode d'emploi de l'outil.

Pour toute question ou remarque au sujet de cet outil ou de tout autre outil CRAFTSMAN composez le numéro sans frais : 1-888-331-4569.

Dégauchisseuse à main câblée - 6,0 A CMEW300

AVERTISSEMENTS GÉNÉRAUX SUR LA SÉCURITÉ DES OUTILS



AVERTISSEMENT : lisez tous les avertissements de sécurité, toutes les instructions, les illustrations et les caractéristiques fournis avec cet outil électrique. Ne pas suivre toutes les instructions comprises aux présentes peut conduire à un choc électrique, un incendie et/ou des blessures graves.

CONSERVER TOUS LES AVERTISSEMENTS ET TOUTES LES DIRECTIVES POUR UN USAGE ULTÉRIEUR

Le terme « outil électrique » cité dans les avertissements se rapporte à votre outil électrique à alimentation sur secteur (avec fil) ou par piles (sans fil).

1) Sécurité du lieu de travail

- Tenir l'aire de travail propre et bien éclairée.**
Les lieux encombrés ou sombres sont propices aux accidents.
- Ne pas faire fonctionner d'outils électriques dans un milieu déflagrant, tel qu'en présence de liquides, de gaz ou de poussières inflammables.**
Les outils électriques produisent des étincelles qui pourraient enflammer la poussière ou les vapeurs.
- Éloigner les enfants et les personnes à proximité pendant l'utilisation d'un outil électrique.** Une distraction pourrait en faire perdre la maîtrise à l'utilisateur.

2) Sécurité en matière d'électricité

- Les fiches des outils électriques doivent correspondre à la prise. Ne jamais modifier la fiche d'aucune façon. Ne jamais utiliser de fiche d'adaptation avec un outil électrique mis à la terre.** Le risque de choc électrique sera réduit par l'utilisation de fiches non modifiées correspondant à la prise.
- Éviter tout contact physique avec des surfaces mises à la terre comme des tuyaux, des radiateurs, des cuisinières et des réfrigérateurs.** Le risque de choc électrique est plus élevé si votre corps est mis à la terre.
- Ne pas exposer les outils électriques à la pluie ou à l'humidité.** La pénétration de l'eau dans un outil électrique augmente le risque de choc électrique.
- Ne pas utiliser le cordon de façon abusive. Ne jamais utiliser le cordon pour transporter, tirer ou débrancher un outil électrique. Tenir le cordon éloigné de la chaleur, de l'huile, des bords tranchants et des pièces mobiles.** Les cordons endommagés ou enchevêtrés augmentent les risques de choc électrique.

- Pour l'utilisation d'un outil électrique à l'extérieur, se servir d'une rallonge convenant à cette application.** L'utilisation d'une rallonge conçue pour l'extérieur réduira les risques de choc électrique.
- S'il est impossible d'éviter l'utilisation d'un outil électrique dans un endroit humide, brancher l'outil dans une prise ou sur un circuit d'alimentation dotés d'un disjoncteur de fuite à la terre (GFCI).** L'utilisation de ce type de disjoncteur réduit les risques de choc électrique.

3) Sécurité personnelle

- Être vigilant, surveiller le travail effectué et faire preuve de jugement lorsqu'un outil électrique est utilisé. Ne pas utiliser d'outil électrique en cas de fatigue ou sous l'influence de drogues, d'alcool ou de médicaments.** Un simple moment d'inattention en utilisant un outil électrique peut entraîner des blessures corporelles graves.
- Utiliser des équipements de protection individuelle. Toujours porter une protection oculaire.** L'utilisation d'équipements de protection comme un masque antipoussière, des chaussures antidérapantes, un casque de sécurité ou des protecteurs auditifs lorsque la situation le requiert réduira les risques de blessures corporelles.
- Empêcher les démarrages intempestifs. S'assurer que l'interrupteur se trouve à la position d'arrêt avant de relier l'outil à une source d'alimentation et/ou d'insérer un bloc-piles, de ramasser ou de transporter l'outil.** Transporter un outil électrique alors que le doigt repose sur l'interrupteur ou brancher un outil électrique dont l'interrupteur est à la position de marche risque de provoquer un accident.
- Retirer toute clé de réglage ou clé avant de démarrer l'outil.** Une clé ou une clé de réglage attachée à une partie pivotante de l'outil électrique peut provoquer des blessures corporelles.
- Ne pas trop tendre les bras. Conserver son équilibre en tout temps.** Cela permet de mieux maîtriser l'outil électrique dans les situations imprévues.
- S'habiller de manière appropriée. Ne pas porter de vêtements amples ni de bijoux. Garder les cheveux, les vêtements et les gants à l'écart des pièces mobiles.** Les vêtements amples, les bijoux ou les cheveux longs risquent de rester coincés dans les pièces mobiles.
- Si des composants sont fournis pour le raccordement de dispositifs de dépoussiérage et de ramassage, s'assurer que ceux-ci sont bien raccordés et utilisés.** L'utilisation d'un dispositif de dépoussiérage peut réduire les dangers engendrés par les poussières.

- h) **Ne pas laisser votre connaissance acquise suite l'utilisation fréquente des outils vous permettre de baisser la garde et ignorer les principes de sécurité de l'outil.** Un acte irréfléchi peut causer une blessure grave en une fraction de seconde.

4) Utilisation et entretien d'un outil électrique

- a) **Ne pas forcer un outil électrique. Utiliser l'outil électrique approprié à l'application.** L'outil électrique approprié effectuera un meilleur travail, de façon plus sûre et à la vitesse pour laquelle il a été conçu.
- b) **Ne pas utiliser un outil électrique dont l'interrupteur est défectueux.** Tout outil électrique dont l'interrupteur est défectueux est dangereux et doit être réparé.
- c) **Débranchez la fiche de la prise électrique et, si amovible, retirez le bloc-piles de l'outil avant d'effectuer tout ajustement, changement et entreposage de celui-ci.** Ces mesures préventives réduisent les risques de démarrage accidentel de l'outil électrique.
- d) **Ranger les outils électriques hors de la portée des enfants et ne permettre à aucune personne n'étant pas familière avec un outil électrique ou son mode d'emploi d'utiliser cet outil.** Les outils électriques deviennent dangereux entre les mains d'utilisateurs inexpérimentés.
- e) **Gardez les poignées et surfaces d'emprise propres et libres de tout produit lubrifiant. Vérifier si les pièces mobiles sont mal alignées ou coincées, si des pièces sont brisées ou présentent toute autre condition susceptible de nuire au bon fonctionnement de l'outil électrique. En cas de dommage, faire réparer l'outil électrique avant toute nouvelle utilisation.** Beaucoup d'accidents sont causés par des outils électriques mal entretenus.
- f) **S'assurer que les outils de coupe sont aiguisés et propres.** Les outils de coupe bien entretenus et affûtés sont moins susceptibles de se coincer et sont plus faciles à maîtriser.
- g) **Utiliser l'outil électrique, les accessoires, les forets, etc. conformément aux présentes directives en tenant compte des conditions de travail et du travail à effectuer.** L'utilisation d'un outil électrique pour toute opération autre que celle pour laquelle il a été conçu est dangereuse.
- h) **Garder vos mains et les surfaces de prise sèches, propres et libres de graisse et de poussière.** Les mains et les surfaces de prise glissante ne permettent pas la manutention et le contrôle sécuritaires de l'outil dans les situations imprévues.

5) Réparation

- a) **Faire réparer l'outil électrique par un réparateur professionnel en n'utilisant que des pièces de rechange identiques.** Cela permettra de maintenir une utilisation sécuritaire de l'outil électriques.

Avertissements de sécurité supplémentaires

- **Attendez que le couteau s'arrête avant de déposer l'outil.** Un couteau en rotation exposé peut entrer en contact avec la surface entraînant une possible perte de contrôle et une blessure grave.
- **Tenez l'outil électrique seulement par les surfaces de prise isolées puisque le couteau peut entrer en contact avec son propre cordon.** Couper un câble « sous tension » peut exposer les pièces métalliques de l'outil électrique « sous tension » et pourrait donner un choc électrique à l'utilisateur.
- **Utilisez des pinces ou une autre façon pratique de sécuriser et maintenir la pièce de travail sur une plateforme stable.** Tenir le travail par une main ou contre le corps le laisse instable et peut mener à une perte de contrôle.
- **Afin de réduire le risque de blessure, l'utilisateur doit lire et comprendre le guide d'utilisation avant d'utiliser la raboteuse.**
- **Assurez-vous que la tension est conforme avec les données spécifiques sur la plaque signalétique.**
- **Assurez-vous que la gâchette est en position Arrêt avant de brancher une fiche à une source d'alimentation.**
- **Assurez-vous d'éteindre immédiatement si l'outil est bloqué durant le travail.**
- **Assurez-vous que l'outil est réglé pour la bonne profondeur avant de mettre en marche.**
- **Assurez-vous d'utiliser seulement les pièces de remplacement indiquées.**
- **Assurez-vous que l'outil est débranché de la source d'alimentation lorsque vous nettoyez et effectuez des ajustements sur l'outil.**
- **Assurez-vous d'entretenir l'outil avec soin. Suivez les instructions pour lubrifier et changer les accessoires.**
- **Demeurez vigilant : ne jamais utiliser cet outil lorsque vous êtes fatigué, malade ou sous l'influence de drogues, de l'alcool ou de médicaments.**
- **Assurez-vous de ranger l'outil dans un endroit sec propre après l'avoir débranché de la source d'alimentation.**
- **Ne pas utiliser dans un environnement dangereux. Ne pas utiliser près de substances inflammables, dans des endroits humides ou mouillés, ou exposés à la pluie.**
- **Assurez-vous que les lames sont installées comme décrit dans le guide d'utilisation et vérifiez que toutes les vis sont solidement serrées avant de brancher l'appareil à la source d'alimentation.**
- **Gardez les événements non obstrués pour un refroidissement approprié du moteur.**
- **NE PAS déposer l'outil sur le patin lorsque les lames sont exposées.** Cela peut ébrécher les lames.

- **Gardez la goulotte d'évacuation sur le côté non obstruée en tout temps.**
- **Ne jamais mettre les mains sous l'outil pour quelque raison que ce soit à moins qu'il soit ÉTEINT et DÉBRANCHÉ.** LES LAMES SONT EXPOSÉES ET EXTRÊMEMENT TRANCHANTES.
- **Utilisez cet outil seulement pour travail avec le bois et les produits en bois.**
- **Ne jamais utiliser sans tenir la poignée avant de façon sécuritaire.**
- **Utilisez toujours la raboteuse avec les deux mains.**
- **Les lames de la raboteuse sont extrêmement tranchantes.** Manipulez avec beaucoup de soin.
- **Nettoyez souvent votre outil, spécialement après une utilisation intensive.**
- **Assurez-vous toujours que la surface de travail est libre de clous ou autres objets étrangers.**
- **Les événements couvrent souvent des pièces qui se déplacent et doivent être évités.** Les vêtements amples, les bijoux ou les cheveux longs peuvent se coincer dans les pièces en mouvement.

Consigne de sécurité supplémentaire

AVERTISSEMENT : porter **SYSTÉMATIQUEMENT** des lunettes de protection. Les lunettes courantes NE sont PAS des lunettes de protection. Utiliser aussi un masque antipoussières si l'opération est poussiéreuse. **PORTER SYSTÉMATIQUEMENT UN ÉQUIPEMENT DE SÉCURITÉ HOMOLOGUÉ :**

- Protection oculaire ANSI Z87.1 (CAN/CSA Z94.3) ;
- Protection auditive ANSI S12.6 (S3.19) ;
- Protection des voies respiratoires NIOSH/ OSHA/ MSHA.

AVERTISSEMENT : les scies, meules, ponceuses, perceuses ou autres outils de construction peuvent produire des poussières contenant des produits chimiques reconnus par l'État californien pour causer cancers, malformations congénitales ou être nocifs au système reproducteur. Parmi ces produits chimiques, on retrouve :

- Le plomb dans les peintures à base de plomb ;
- La silice cristallisée dans les briques et le ciment, ou autres produits de maçonnerie ; et
- L'arsenic et le chrome dans le bois ayant subi un traitement chimique.

Le risque associé à de telles expositions varie selon la fréquence à laquelle on effectue ces travaux. Pour réduire toute exposition à ces produits : travailler dans un endroit bien aéré, en utilisant du matériel de sécurité homologué, tel un masque antipoussières spécialement conçu pour filtrer les particules microscopiques.

- **Limiter toute exposition prolongée avec les poussières provenant du ponçage, sciage, meulage, perçage ou toute autre activité de construction. Porter des vêtements de protection et nettoyer à l'eau savonneuse les parties du corps exposés.** Le

fait de laisser la poussière pénétrer dans la bouche, les yeux ou la peau peut favoriser l'absorption de produits chimiques dangereux.

AVERTISSEMENT : cet outil peut produire et/ou répandre de la poussière susceptible de causer des dommages sérieux et permanents au système respiratoire. Utiliser systématiquement un appareil de protection des voies respiratoires homologué par le NIOSH ou l'OSHA. Diriger les particules dans le sens opposé au visage et au corps.

AVERTISSEMENT : pendant l'utilisation, porter systématiquement une protection auditive individuelle adéquate homologuée ANSI S12.6 (S3.19). Sous certaines conditions et suivant la durée d'utilisation, le bruit émanant de ce produit pourrait contribuer à une perte de l'acuité auditive.

ATTENTION : après utilisation, ranger l'outil sur son côté, sur une surface stable, là où il ne pourra ni faire trébucher ni faire chuter quelqu'un. Certains outils peuvent tenir à la verticale, mais manquent alors de stabilité.

- **Pour la sécurité de l'utilisateur, utiliser une rallonge de calibre adéquat (AWG, American Wire Gauge [calibrage américain normalisé des fils électriques]).** Plus le calibre est petit, et plus sa capacité est grande. Un calibre 16, par exemple, a une capacité supérieure à un calibre 18. L'usage d'une rallonge de calibre insuffisant causera une chute de tension qui entraînera perte de puissance et surchauffe. Si plus d'une rallonge est utilisée pour obtenir une certaine longueur, s'assurer que chaque rallonge présente au moins le calibre de fil minimum. Le tableau ci-dessous illustre les calibres à utiliser selon la longueur de rallonge et l'intensité nominale indiquée sur la plaque signalétique. En cas de doute, utiliser le calibre suivant. Plus le calibre est petit, plus la rallonge peut supporter de courant.

Calibre minimum pour les cordons d'alimentation

Volts	Longueur totale du cordon d'alimentation en mètre (pieds)				
	7,6 (25)	15,2 (50)	30,5 (100)	45,7 (150)	
120 V					
240 V	15,2 (50)	30,5 (100)	61,0 (200)	91,4 (300)	
Ampères		AWG			
Plus que	Pas plus que				
0	6	18	16	16	14
6	10	18	16	14	12
10	12	16	16	14	12
12	16	14	12	Non recommandé	

L'étiquette apposée sur votre outil peut inclure les symboles suivants. Les symboles et leur définition sont indiqués ci-après :

Vvolts
 BPM..... battements par minute
 Hzhertz
 minminutes
 IPM..... impacts par minute
 — — — or DC..... courant continu
 RPM.....révolutions par minute
 Ⓢ fabrication classe I (mis à la terre)
 sfpm (plpm).....pieds linéaires par minute
 .../min..... par minute

FRANÇAIS

SPM (FPM).....	fréquence par minute	n	vitesse nominale
OPM.....	oscillations por minuto	⊕.....	borne de terre
A.....	ampères	⚠.....	symbole d'avertissement
W.....	watts	⚠.....	radiation visible
~ or AC.....	courant alternatif	☎.....	protection respiratoire
⎓ or AC/DC....	courant alternatif ou continu	⊙.....	protection oculaire
⊞.....	fabrication classe II (double isolation)	👂.....	protection auditive
n ₀	vitesse à vide	📖.....	lire toute la documentation
IPXX.....	symbole IP		

CONSERVER CES CONSIGNES POUR UTILISATION ULTÉRIEURE

DESCRIPTION (FIG. A)

Moteur

S'assurer que le bloc d'alimentation est compatible avec l'inscription de la plaque signalétique. Une diminution de tension de plus de 10 % provoquera une perte de puissance et une surchauffe. Les outils sont testés en usine ; si cet outil ne fonctionne pas, vérifier l'alimentation électrique.

Votre machine est branchée sur un courant alternatif 120 volts, 60 Hz. Avant de brancher la machine à la source d'alimentation, assurez-vous que la gâchette est en position Arrêt.

Usage prévu

Cette planeuse à main est conçue pour les applications de dégauchissage domestiques du bois et de produits du bois.

NE PAS les utiliser en milieu ambiant humide ou en présence de liquides ou de gaz inflammables.

NE PAS le laisser à la portée des enfants. Une supervision est nécessaire auprès de tout utilisateur non expérimenté.

ASSEMBLAGE ET AJUSTEMENTS

⚠ AVERTISSEMENT : afin de réduire le risque de blessure corporelle, éteignez l'appareil et débranchez-le la source d'alimentation avant d'effectuer tout ajustement ou de retirer/installer des pièces ou des accessoires. Un déclenchement accidentel du démarrage peut causer des blessures.

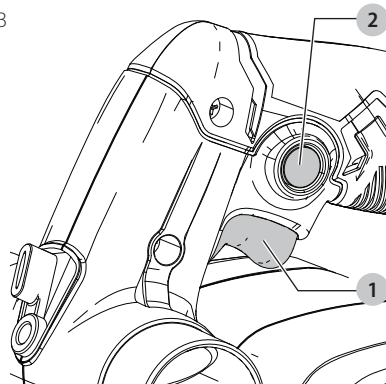
Gâchette et bouton de verrouillage (Fig. B)

⚠ ATTENTION : s'assurer que l'outil n'est pas verrouillé en position de marche avant de le brancher. Si c'est le cas, lorsque l'outil sera branché, il se mettra immédiatement en marche. Cela pose des risques de dommages corporels et matériels.

⚠ ATTENTION : laissez l'outil atteindre sa pleine vitesse avant que celui-ci touche la surface de travail. Levez l'outil de la surface de travail avant de l'éteindre.

1. Pour démarrer l'outil, actionner la gâchette 1 de la Figure B, et relâcher pour l'arrêter.
2. L'outil peut être verrouillé pour une utilisation continue. Pour verrouiller l'outil, appuyez sur la gâchette 1 et poussez le bouton de verrouillage 2. Maintenez le bouton de verrouillage en relâchant doucement la gâchette. L'outil continuera à fonctionner.
3. Pour arrêter l'outil lorsqu'il est verrouillé, appuyez et relâchez la gâchette une fois.

Fig. B

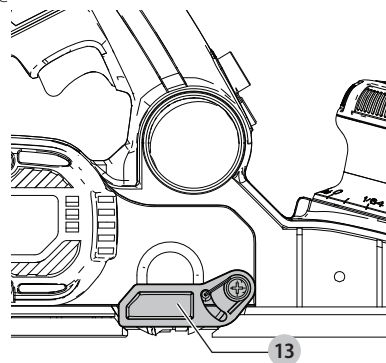


Pare-main (Fig. C)

1. S'assurer que le pare-main à ressort 13 est en bon état de marche avant d'utiliser la raboteuse.

⚠ AVERTISSEMENT : risque de coupure. Ne pas retirer le pare-main.

Fig. C



Pied d'immobilisation (Fig. D)

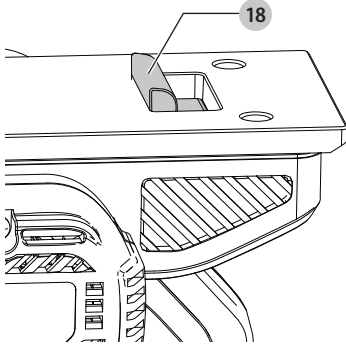
1. La raboteuse est dotée d'un pied d'immobilisation 18 qui descend automatiquement en place lorsque l'outil est soulevé de la surface de travail. Durant le rabotage, le pied d'immobilisation s'élève lorsque l'outil est poussé vers l'avant. Lorsque le pied d'immobilisation est descendu, la raboteuse peut reposer sur la surface de travail sans que la lame entre en contact avec la surface.

⚠ ATENCION : ne pas verrouiller la détente en position de marche et engager le pied d'immobilisation.

La vibration du moteur qui tourne fera déplacer la raboteuse, laquelle risque de tomber de la pièce.

! **ATTENTION :** assurez-vous que le pied d'immobilisation est correctement déplié avant de poser la raboteuse sur une surface de travail..

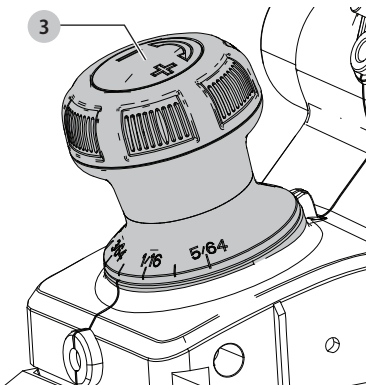
Fig. D



Réglage de la profondeur de rabotage (Fig. E)

1. Profondeur de rabotage à réglage continu, soit de 0 à 2 mm (5/64 po). Pour régler la profondeur de coupe, tourner le bouton de réglage de la profondeur/poignée avant **3**, dans le sens horaire, à partir de la position « P ». La profondeur de coupe augmentera, passant de 0 à 2 mm (0,079 po).
2. Il est recommandé d'effectuer des coupes d'essai sur une pièce de chute après chaque nouveau réglage afin de s'assurer que la quantité souhaitée de bois est enlevée par la raboteuse. Plusieurs passages de faible profondeur (plutôt qu'un passage profond) produiront un fini plus lisse.

Fig. E

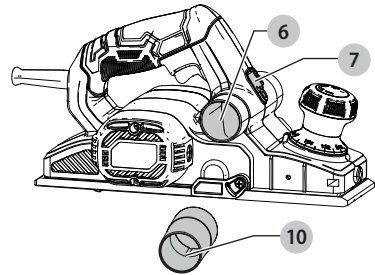


Adaptateur d'aspirateur (Fig. F)

1. Glisser l'adaptateur d'aspirateur **10** au-dessus de la goulotte d'éjection de copeaux **6**.
2. Raccorder le tuyau de l'aspirateur (non compris) à l'adaptateur.
3. Pour éviter que les copeaux sortent du côté opposé à la goulotte d'éjection de copeaux, déplacer le levier

du déflecteur à copeaux **7** vers le côté opposé à l'adaptateur.

Fig. F



FONCTIONNEMENT

! **AVERTISSEMENT :** afin de réduire le risque de blessure corporelle, éteignez l'appareil et débranchez-le la source d'alimentation avant d'effectuer tout ajustement ou de retirer/installer des pièces ou des accessoires. Un déclenchement accidentel du démarrage peut causer des blessures.

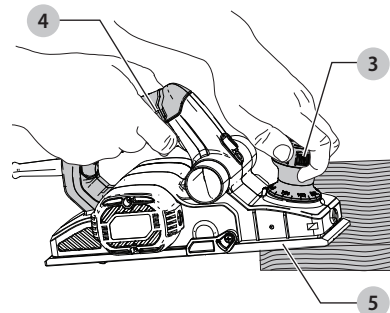
Position correcte des mains (Fig. G)

! **AVERTISSEMENT :** pour réduire tout risque de dommages corporels graves, adopter **SYSTÉMATIQUEMENT** la position des mains illustrée.

! **AVERTISSEMENT :** pour réduire tout risque de dommages corporels graves, maintenir **SYSTÉMATIQUEMENT** l'outil fermement pour anticiper toute réaction soudaine.

Tenez toujours la raboteuse dans la bonne position avec une main sur la poignée avant **3** et l'autre main sur la poignée de la gâchette **4**.

Fig. G



Rabotage (Fig. A, H, I)

⚠ AVERTISSEMENT : attendre que le couteau cesse de fonctionner avant de déposer l'outil. Un couteau exposé peut pénétrer dans la surface et causer une perte de maîtrise de l'outil et des blessures graves.

⚠ ATTENTION : laisser l'outil atteindre son plein régime avant de toucher la surface de la pièce avec l'outil. Soulever l'outil de la surface de la pièce avant d'arrêter le moteur.

1. Mettre la partie avant de la semelle **5** sur la surface à raboter en s'assurant que les lames de coupe n'entrent pas en contact avec la surface. Enfoncer fermement la poignée avant de la raboteuse de manière à ce que la semelle avant soit **ABSOLUMENT À PLAT** sur la surface de travail. Enfoncer la détente et laisser le moteur atteindre son plein régime avant de laisser les lames de la raboteuse entrer en contact avec la surface de travail.
2. Déplacer lentement l'outil sur la pièce et maintenir une pression descendante afin de garder la raboteuse à plat. Être particulièrement prudent dans le maintien de l'outil à plat au début et à la fin de la surface de travail.
3. Conseil de rabotage : Pour obtenir un aspect plus lisse, fixer une pièce de chute de bois à l'extrémité de la pièce qui est rabotée. Ne pas cesser le rabotage avant que les lames de coupe de la raboteuse n'aient dépassé la pièce de travail et soient sur la pièce de chute.

Fig. H

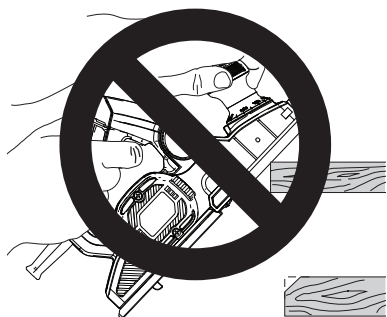


Fig. I



Guide de refeuillement (Fig. J, K)

⚠ ATTENTION : laisser l'outil atteindre son plein régime avant de toucher la surface de la pièce avec l'outil. Soulever l'outil de la surface de la pièce avant d'arrêter le moteur.

1. Le guide de refeuillement **9** peut être installé d'un côté ou de l'autre de la raboteuse. La raboteuse peut effectuer des coupes de refeuillement d'une profondeur maximale de 12 mm (0,5 po).

Pour installer un guide de refeuillement

- a. Visser le bouton **14** dans l'orifice situé du côté de la raboteuse qui est montré par une flèche à la Figure J.
- b. Desserrer le bouton de réglage du guide de refeuillement **8**, puis régler le guide à une distance souhaitée.
- c. Bien serrer le bouton de réglage du guide de refeuillement.
- d. Le guide de refeuillement est installé correctement s'il se trouve sous la raboteuse, comme le montre la Figure K.

Pour effectuer une coupe de refeuillement

- a. Tourner le bouton de réglage du guide de refeuillement **8** pour régler la profondeur souhaitée de la coupe.
- b. Effectuer plusieurs coupes jusqu'à ce que la profondeur souhaitée soit atteinte.

REMARQUE : pour la plupart des applications de refeuillement, il sera nécessaire d'effectuer plusieurs coupes.

Fig. J

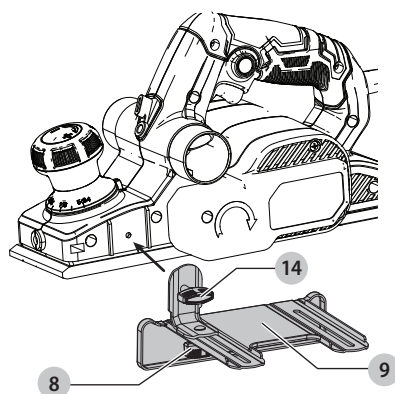
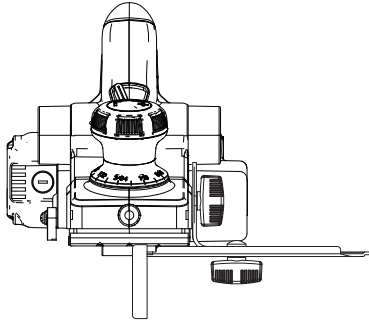


Fig. K

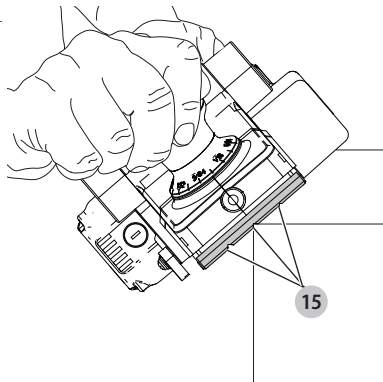


Chanfreinage de bordure (Fig. L)

1. La raboteuse comprend trois rainures de chanfreinage usinées de précision : 1,5 mm, 2,0 mm et 2,5 mm **15**. Elles sont situées sur la semelle avant et sont utilisées pour le rabotage le long d'un coin de matériau.
 - a. Régler à la profondeur de coupe souhaitée.
 - b. Mettre la rainure sur le bord du matériau.
 - c. Appliquer un poids à l'avant de la semelle de manière à ce que la rainure soit à plat sur le bord du matériau.
 - d. Tenir l'outil des deux mains en maintenant une pression sur la poignée avant.

REMARQUE : c'est une bonne idée d'essayer sur une pièce de chute de bois avant de procéder aux travaux de finition.

Fig. L



MAINTENANCE



AVERTISSEMENT : afin de réduire le risque de blessure corporelle, éteignez l'appareil et débranchez-le la source d'alimentation avant d'effectuer tout ajustement ou de retirer/installer des pièces ou des accessoires. Un déclenchement accidentel du démarrage peut causer des blessures.

Pour changer les lames (Fig. M)



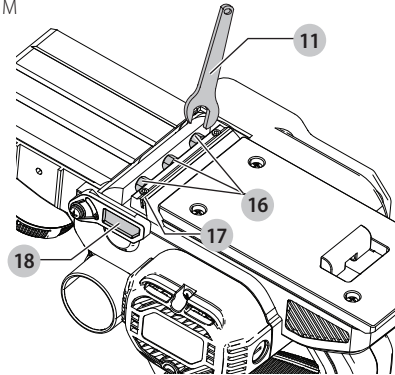
AVERTISSEMENT : risque de coupure. Les lames de la raboteuse sont tranchantes et doivent être manipulées avec soin.

REMARQUE : Le modèle CMEW300 comprend deux lames, soit une de chaque côté du tambour à lames. Toute opération ou tout réglage doit être effectué aux deux lames. Les lames de coupe fournies avec cet outil sont réversibles.

Pour déposer la lame de la raboteuse

1. Mettre la raboteuse à l'envers comme le montre la Figure M.
2. Desserrer les trois écrous **16** à l'aide de la clé **11** fournie.
3. Tourner le pare-main **18** vers le bas. Retirer soigneusement la lame **17** en la glissant hors du porte-lame. Un morceau de bois peut être utilisé à cette fin.
4. Inverser la lame pour que la section non utilisée se mette en place. Si les deux côtés sont usés, il faut remplacer la lame.

Fig. M



Pour réinstaller la lame

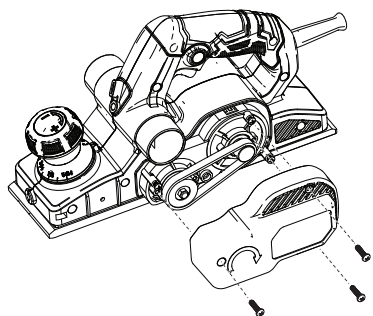
1. Glisser la lame latéralement dans le porte-lame de manière à l'appuyer contre la butée. La rainure de la lame doit être orientée vers l'arrière de l'outil.
2. Desserrer les trois écrous à l'aide de la clé fournie. Tourner le tambour à lames de 180°, puis refaire l'opération pour l'autre lame.
3. Toujours remplacer les deux lames.

Courroie d'entraînement (Fig. N)

Pour remplacer la courroie

1. Desserrer les trois vis illustrées à la Figure N, puis enlever le couvercle de la courroie.
2. Retirer l'ancienne courroie.
3. Mettre la courroie neuve au-dessus de la poulie avant, puis tourner la courroie dans le sens horaire tout en la poussant sur la poulie arrière.
4. Fixer le couvercle de la courroie et bien serrer les vis.

Fig. N



Nettoyage

⚠ AVERTISSEMENT : enlever les saletés et la poussière hors des événements au moyen d'air comprimé propre et sec, au moins une fois par semaine. Pour minimiser le risque de blessure aux yeux, toujours porter une protection oculaire conforme à la norme ANSI Z87.1 lors du nettoyage.

⚠ AVERTISSEMENT : ne jamais utiliser de solvants ni d'autres produits chimiques puissants pour nettoyer les pièces non métalliques de l'outil. Ces produits chimiques peuvent affaiblir les matériaux de plastique utilisés dans ces pièces. Utiliser un chiffon humecté uniquement d'eau et de savon doux. Ne jamais laisser de liquide pénétrer dans l'outil et n'immerger aucune partie de l'outil dans un liquide.

⚠ AVERTISSEMENT : Éteindre et débrancher l'outil avant de nettoyer la goulotte d'éjection de copeaux. Nettoyer régulièrement la goulotte d'éjection de copeaux 6. **TOUJOURS PORTER DES LUNETTES DE SÉCURITÉ.**

Accessoires

⚠ AVERTISSEMENT : puisque les accessoires autres que ceux offerts par CRAFTSMAN n'ont pas été testés avec ce produit, leur utilisation pourrait s'avérer dangereuse. Pour réduire le risque de blessures, utiliser exclusivement les accessoires CRAFTSMAN recommandés avec le présent produit.

Les accessoires recommandés pour cet outil sont vendus séparément au centre de service de votre région. Pour obtenir de l'aide concernant l'achat d'un accessoire, communiquer avec CRAFTSMAN, composer le **1-888-331-4569**.

Réparations

⚠ AVERTISSEMENT : pour assurer la SÉCURITÉ et la FIABILITÉ du produit, les réparations, l'entretien et les réglages doivent être réalisés (cela comprend l'inspection et le remplacement du balai, le cas échéant) par un centre de réparation en usine CRAFTSMAN ou un centre de réparation agréé CRAFTSMAN. Toujours utiliser des pièces de rechange identiques.

Registre en ligne

Merci pour votre achat. Enregistrez dès maintenant votre produit:

- **RÉPARATIONS SOUS GARANTIE:** cette carte remplie vous permettra de vous prévaloir du service de réparations sous garantie de façon plus efficace dans le cas d'un problème avec le produit.
- **CONFIRMATION DE PROPRIÉTÉ:** en cas de perte provoquée par un incendie, une inondation ou un vol, cette preuve de propriété vous servira de preuve auprès de votre compagnie d'assurances.
- **SÉCURITÉ:** l'enregistrement de votre produit nous permettra de communiquer avec vous dans l'éventualité peu probable de l'envoi d'un avis de sécurité régi par la loi fédérale américaine de la protection des consommateurs.

Registre en ligne à www.craftsman.com/registration

Garantie limitée de trois ans

CRAFTSMAN réparera ou remplacera sans frais tout appareil défectueux pour cause de défaut de matériau ou de main-d'œuvre sur une période de trois ans à partir de la date d'achat de l'outil. Cette garantie ne couvre pas les pièces en panne pour cause d'abus ou d'usure normale de l'outil. Pour plus de détails au sujet de la couverture de la garantie et l'information de réparation sous garantie, visitez www.craftsman.com ou composez le **1-888-331-4569**.

Cette garantie ne s'applique pas aux accessoires ou dommages causés par des réparations effectuées ou tentées par d'autres. CETTE GARANTIE REMPLACE TOUTES LES AUTRES, INCLUANT LES GARANTIES IMPLICITES DE LA QUALITÉ MARCHANDE ET L'APTITUDE POUR UN BUT PARTICULIER, ET EXCLUT TOUS LES DOMMAGES ACCIDENTELS OU CONSÉCUTIFS. Certaines provinces ne permettent pas de limitation sur la durée de la garantie implicite ou l'exclusion ou la limitation de dommages indirects, alors ces limitations peuvent ne pas s'appliquer à vous. Cette garantie vous donne des droits légaux particuliers et vous pouvez avoir d'autres droits qui varient selon les états ou les provinces.

GARANTIE DE REMBOURSEMENT DE 90 JOURS

Si l'acheteur n'est pas entièrement satisfait, pour quelque raison que ce soit, du rendement de l'outil électrique ou de la cloueuse CRAFTSMAN, celui-ci peut le retourner, accompagné d'un reçu, dans les 90 jours à compter de la date d'achat pour obtenir un remboursement intégral, sans aucun problème.

AMÉRIQUE LATINE : cette garantie ne s'applique aux produits vendus en Amérique latine. Pour ceux-ci, veuillez consulter les informations relatives à la garantie spécifique présente dans l'emballage, appeler l'entreprise locale ou consulter le site Web pour les informations relatives à cette garantie.

REMPLACEMENT GRATUIT DES ÉTIQUETTES

D'AVERTISSEMENT : si les étiquettes d'avertissement deviennent illisibles ou sont manquantes, composer le **1-888-331-4569** pour en obtenir le remplacement gratuit.

GUIDE DE DÉPANNAGE

ASSUREZ-VOUS DE SUIVRE LES DIRECTIVES ET RÈGLES DE SÉCURITÉ

Pour de l'aide avec l'outil, consulter notre site Web www.craftsman.com pour l'emplacement du centre de réparation le plus près ou communiquer avec l'assistance CRAFTSMAN au 1-888-331-4569.

PROBLÈME	CAUSE POSSIBLE	SOLUTION POSSIBLE
L'appareil refuse de démarrer	Cordon d'alimentation non branché.	Brancher l'outil dans une prise qui fonctionne.
	Le fusible du circuit est grillé.	Remplacer le fusible du circuit. (Si l'outil cause le déclenchement du disjoncteur d'alimentation de façon répétée, cesser son utilisation sur le champ et le faire réparer à un centre de service autorisé.)
	Le disjoncteur est déclenché	Remettre le disjoncteur à zéro. (Si l'outil cause le déclenchement du disjoncteur d'alimentation de façon répétée, cesser son utilisation sur le champ et le faire réparer à un centre de service autorisé.)
	Le cordon d'alimentation ou la prise de courant est endommagé(e).	Toujours faire remplacer le cordon ou le commutateur à un centre de service autorisé.

Definiciones: Símbolos y Palabras de Alerta de Seguridad

Este manual de instrucciones utiliza los siguientes símbolos y palabras de alerta de seguridad para alertarle de situaciones peligrosas y del riesgo de lesiones corporales o daños materiales.



PELIGRO: Indica una situación de peligro inminente que, si no se evita, provocará **la muerte o lesiones graves**.



ADVERTENCIA: Indica una situación de peligro potencial que, si no se evita, **podría provocar la muerte o lesiones graves**.



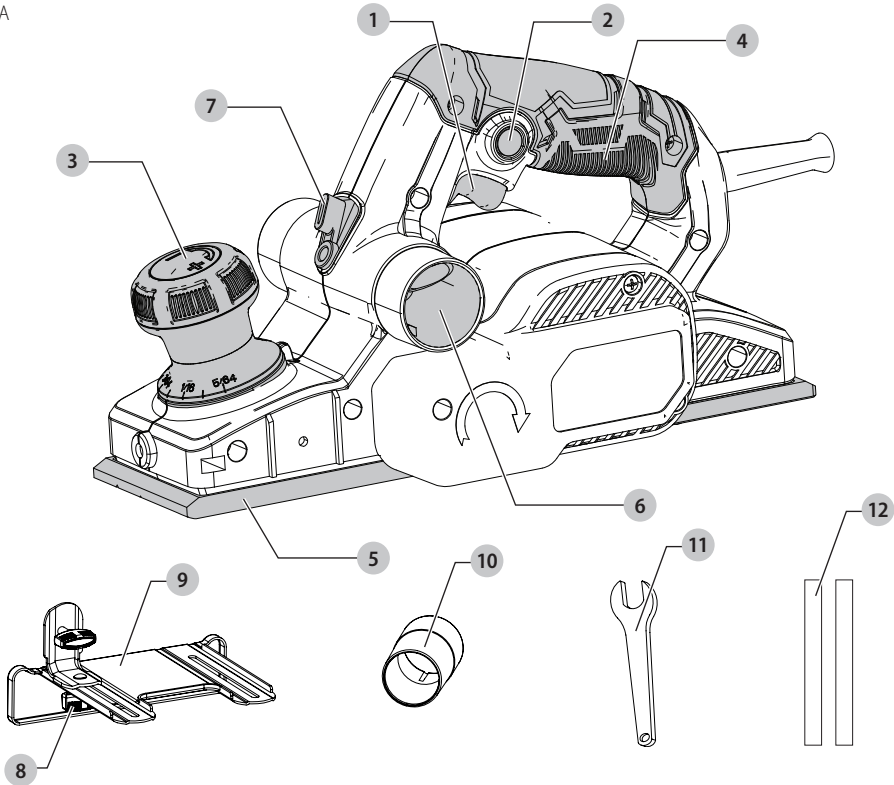
ATENCIÓN: Indica una situación de peligro potencial que, si no se evita, **posiblemente provocaría lesiones leves o moderadas**.



(Utilizado sin palabras) indica un mensaje de seguridad relacionado.

AVISO: Se refiere a una práctica **no relacionada a lesiones corporales** que de no evitarse **puede resultar en daños a la propiedad**.

Fig. A



COMPONENTES

- | | |
|---|--|
| 1 Interruptor de gatillo | 7 Palanca de desvío de virutas |
| 2 Botón de bloqueo de encendido | 8 Perilla de ajuste de cerca de rebaje |
| 3 Perilla de ajuste de profundidad/manija delantera | 9 Cerca de rebaje |
| 4 Manija de interruptor | 10 Adaptador de aspiradora |
| 5 Zapata | 11 Llave |
| 6 Ducto de descarga de virutas | 12 Cuchillas (instaladas en unidad) |



ADVERTENCIA: Lea todas las advertencias de seguridad e instrucciones. El incumplimiento de las advertencias e instrucciones puede provocar descargas eléctricas, incendios o lesiones graves.



ADVERTENCIA: Nunca modifique la herramienta eléctrica, ni tampoco ninguna de sus piezas. Podría producir lesiones corporales o daños.



ADVERTENCIA: Para reducir el riesgo de lesiones, lea el manual de instrucciones.

Si tiene alguna duda o algún comentario sobre ésta u otra herramienta CRAFTSMAN llámenos al número gratuito: 1-888-331-4569.

Cepilladora Manual Alámbrica de 6,0 Amps CMEW300

ADVERTENCIAS GENERALES DE SEGURIDAD PARA HERRAMIENTAS ELÉCTRICAS



ADVERTENCIA: Lea todas las advertencias de seguridad, instrucciones, ilustraciones y especificaciones incluidas con esta herramienta eléctrica. La falla en seguir todas las instrucciones siguientes puede resultar en descarga eléctrica, incendio y/o lesiones serias.

CONSERVE TODAS LAS ADVERTENCIAS E INSTRUCCIONES PARA FUTURAS CONSULTAS

El término "herramienta eléctrica" incluido en las advertencias hace referencia a las herramientas eléctricas operadas con corriente (con cable eléctrico) o a las herramientas eléctricas operadas con baterías (inalámbricas).

1) Seguridad en el Área de Trabajo

- Mantenga el área de trabajo limpia y bien iluminada.** Las áreas abarrotadas y oscuras propician accidentes.
- No opere las herramientas eléctricas en atmósferas explosivas, como ambientes donde haya polvo, gases o líquidos inflamables.** Las herramientas eléctricas originan chispas que pueden encender el polvo o los vapores.
- Mantenga alejados a los niños y a los espectadores de la herramienta eléctrica en funcionamiento.** Las distracciones pueden provocar la pérdida de control.

2) Seguridad Eléctrica

- Los enchufes de la herramienta eléctrica deben adaptarse al tomacorriente. Nunca modifique el enchufe de ninguna manera. No utilice ningún enchufe adaptador con herramientas eléctricas con conexión a tierra.** Los enchufes no modificados y que se adaptan a los tomacorrientes reducirán el riesgo de descarga eléctrica.
- Evite el contacto corporal con superficies con descargas a tierra como, por ejemplo, tuberías, radiadores, cocinas eléctricas y refrigeradores.** Existe mayor riesgo de descarga eléctrica si su cuerpo está puesto a tierra.
- No exponga las herramientas eléctricas a la lluvia o a condiciones de humedad.** Si entra agua a una herramienta eléctrica, aumentará el riesgo de descarga eléctrica.
- No maltrate el cable. Nunca utilice el cable para transportar, tirar o desenchufar la herramienta eléctrica. Mantenga el cable alejado del calor, el aceite, los bordes filosos y las piezas móviles.** Los cables dañados o enredados aumentan el riesgo de descarga eléctrica.

- Al operar una herramienta eléctrica en el exterior, utilice un cable prolongador adecuado para tal uso.** Utilice un cable adecuado para uso en exteriores a fin de reducir el riesgo de descarga eléctrica.
- Si el uso de una herramienta eléctrica en un lugar húmedo es imposible de evitar, utilice un suministro protegido con un interruptor de circuito por falla a tierra (GFCI).** El uso de un GFCI reduce el riesgo de descargas eléctricas.

3) Seguridad Personal

- Permanezca alerta, controle lo que está haciendo y utilice el sentido común cuando emplee una herramienta eléctrica. No utilice una herramienta eléctrica si está cansado o bajo el efecto de drogas, alcohol o medicamentos.** Un momento de descuido mientras se opera una herramienta eléctrica puede provocar lesiones personales graves.
- Utilice equipos de protección personal. Siempre utilice protección para los ojos.** En las condiciones adecuadas, el uso de equipos de protección, como máscaras para polvo, calzado de seguridad antideslizante, cascos o protección auditiva, reducirá las lesiones personales.
- Evite el encendido por accidente. Asegúrese de que el interruptor esté en la posición de apagado antes de conectarlo a la fuente de energía o paquete de baterías, o antes de levantar o transportar la herramienta.** Transportar herramientas eléctricas con el dedo apoyado en el interruptor o enchufar herramientas eléctricas con el interruptor en la posición de encendido puede propiciar accidentes.
- Retire la clavija de ajuste o la llave de tuercas antes de encender la herramienta eléctrica.** Una llave de tuercas o una clavija de ajuste que quede conectada a una pieza giratoria de la herramienta eléctrica puede provocar lesiones personales.
- No se estire. Conserve el equilibrio y párese adecuadamente en todo momento.** Esto permite un mejor control de la herramienta eléctrica en situaciones inesperadas.
- Use la vestimenta adecuada. No use ropas holgadas ni joyas. Mantenga el cabello, la ropa y los guantes alejados de las piezas en movimiento.** Las ropas holgadas, las joyas o el cabello largo pueden quedar atrapados en las piezas en movimiento.
- Si se suministran dispositivos para la conexión de accesorios con fines de recolección y extracción de polvo, asegúrese de que estén conectados y que se utilicen correctamente.** El

de dispositivos de recolección de polvo puede reducir los peligros relacionados con el polvo.

- h) **No permita que la familiaridad obtenida a partir del uso frecuente de herramientas le permitan volverse descuidado e ignorar los principios de seguridad de la herramienta.** Una acción descuidada puede causar lesiones severas en una fracción de segundo.

4) Uso y Mantenimiento de la Herramienta Eléctrica

- a) **No fuerce la herramienta eléctrica. Utilice la herramienta eléctrica correcta para el trabajo que realizará.** Si se la utiliza a la velocidad para la que fue diseñada, la herramienta eléctrica correcta permite trabajar mejor y de manera más segura.
- b) **No utilice la herramienta eléctrica si no puede encenderla o apagarla con el interruptor.** Toda herramienta eléctrica que no pueda ser controlada mediante el interruptor es peligrosa y debe repararse.
- c) **Desconecte el enchufe de la fuente de alimentación y/o retire la batería, o paquete si es desmontable, de la herramienta eléctrica antes de realizar cualquier ajuste, cambiar accesorios o almacenar herramientas eléctricas.** Estas medidas de seguridad preventivas reducen el riesgo de encender la herramienta eléctrica en forma accidental.
- d) **Guarde la herramienta eléctrica que no esté en uso fuera del alcance de los niños y no permita que otras personas no familiarizadas con ella o con estas instrucciones operen la herramienta.** Las herramientas eléctricas son peligrosas si son operadas por usuarios no capacitados.
- e) **Dé mantenimiento a las herramientas eléctricas y accesorios. Revise que no haya piezas en movimiento mal alineadas o trabadas, piezas rotas o cualquier otra situación que pueda afectar el funcionamiento de la herramienta eléctrica. Si encuentra daños, haga reparar la herramienta eléctrica antes de utilizarla.** Se producen muchos accidentes a causa de las herramientas eléctricas que carecen de un mantenimiento adecuado.
- f) **Mantenga las herramientas de corte afiladas y limpias.** Las herramientas de corte con mantenimiento adecuado y con los bordes de corte afilados son menos propensas a trabarse y son más fáciles de controlar.
- g) **Utilice la herramienta eléctrica, los accesorios y las brocas de la herramienta, etc. de acuerdo con estas instrucciones y teniendo en cuenta las condiciones de trabajo y el trabajo que debe realizarse.** El uso de la herramienta eléctrica para operaciones diferentes de aquéllas para las que fue diseñada podría originar una situación peligrosa.
- h) **Mantenga las manijas y superficies de sujeción secas, limpias y libres de aceite y grasa.**

Las manijas y superficies de sujeción resbalosas no permiten el manejo y control seguros de la herramienta en situaciones inesperadas.

5) Mantenimiento

- a) **Solicite a una persona calificada en reparaciones que realice el mantenimiento de su herramienta eléctrica y que sólo utilice piezas de repuesto idénticas.** Esto garantizará la seguridad de la herramienta eléctrica.

Advertencias de Seguridad Adicionales

- **Espere que el cortador se detenga antes de bajar la herramienta.** Una cortadora giratoria expuesta puede hacer contacto con la superficie y provocar una posible pérdida de control y lesiones graves.
- **Sostenga la herramienta eléctrica por las superficies de sujeción aisladas únicamente, debido a que la cortadora puede hacer contacto con su propio cableado.** Cortar un cable "vivo" pueden hacer que partes de metal expuestas de la herramienta eléctrica se vuelvan "vivas" y podrían dar al operador una descarga eléctrica.
- **Use abrazaderas u otra manera práctica para asegurar y soportar la pieza de trabajo a una plataforma estable.** Sostener el trabajo a mano o contra el cuerpo lo hace inestable y puede guiar a la pérdida de control.
- **Para reducir el riesgo de lesiones, el usuario debe leer y entender el manual de instrucciones antes de operar la cepilladora.**
- **Asegúrese que el voltaje coincida con los datos específicos en la placa de identificación.**
- **Asegúrese que el interruptor esté en la posición de APAGADO antes de conectar el enchufe a una fuente de alimentación.**
- **Asegúrese de apagar inmediatamente si la herramienta se atasca en el trabajo.**
- **Asegúrese que la herramienta esté ajustada para la profundidad correcta antes de encender el interruptor.**
- **Asegúrese de usar sólo partes de repuesto especificadas.**
- **Asegúrese que la herramienta esté desconectada de la fuente de alimentación cuando limpie o haga ajustes a la herramienta.**
- **Asegúrese de mantener la herramienta con cuidado. Siga las instrucciones para lubricar y cambiar los accesorios.**
- **Manténgase alerta - nunca opere la unidad cuando esté cansado o bajo la influencia de drogas, alcohol o medicamentos.**
- **Asegúrese de guardar la herramienta en un lugar limpio y seco después de desconectarla de la fuente de alimentación.**
- **No la use en ambientes peligrosos. No la use cerca de sustancias inflamables, en lugares húmedos o mojados, ni la exponga a la lluvia.**

- **Asegúrese que las cuchillas estén montadas como se describe en el manual de instrucciones y compruebe que todos los tornillos estén bien apretados antes de conectar la unidad a la fuente de alimentación.**
- **Mantenga las salidas de aire sin obstrucciones para el enfriamiento adecuado del motor.**
- **NO coloque la herramienta sobre la zapata cuando las cuchillas estén expuestas.** Esto puede romper las cuchillas.
- **Mantenga el ducto de descarga lateral sin obstrucciones en todo momento.**
- **Nunca toque debajo de la herramienta por ningún motivo a menos que esté APAGADA y DESCONECTADA.** LAS CUCHILLAS ESTÁN EXPUESTAS Y SON EXTREMADAMENTE AFILADAS.
- **Use esta herramienta para trabajar sólo con madera y productos de madera.**
- **Nunca opere sin sujetar firmemente la manija delantera.**
- **Siempre opere la cepilladora con las dos manos.**
- **Las cuchillas de cepillado son extremadamente afiladas.** Maneje con gran cuidado.
- **Limpie su herramienta a menudo, especialmente después de un uso intensivo.**
- **Siempre asegúrese que la superficie de trabajo esté libre de clavos y otros objetos extraños.**
- **Las ventilas de aire a menudo cubren las partes móviles y se deben evitar. La ropa suelta, joyería, o cabello largo podrían quedar atrapados en las partes móviles.**

Instrucción Adicional de Seguridad

! **ADVERTENCIA:** Use **SIEMPRE** lentes de seguridad. Los anteojos de diario **NO SON** lentes de seguridad. Utilice además una cubrebocas o mascarilla antipolvo si la operación de corte genera demasiado polvo. **SIEMPRE LLEVE EQUIPO DE SEGURIDAD CERTIFICADO:**

- protección ocular ANSI Z87.1 (CAN/CSA Z94.3),
- protección auditiva ANSI S12.6 (S3.19),
- protección respiratoria NIOSH/OSHA/MSHA.

! **ADVERTENCIA:** Algunas partículas de polvo generadas al lijar, serrar, esmerilar y taladrar con herramientas eléctricas, así como al realizar otras actividades de construcción, contienen químicos que el Estado de California sabe que pueden producir cáncer, defectos congénitos u otras afecciones reproductivas. Ejemplos de estos químicos son:

- plomo de algunas pinturas en base a plomo,
- polvo de sílice proveniente de ladrillos y cemento y otros productos de albañilería, y
- arsénico y cromo provenientes de madera tratada químicamente.

Su riesgo de exposición a estos químicos varía, dependiendo de la frecuencia con la cual realiza usted este tipo de trabajo. Para reducir su exposición a estas sustancias químicas: trabaje en una zona bien

ventilada y llevando equipos de seguridad aprobados, como mascarillas antipolvo especialmente diseñadas para filtrar partículas microscópicas.

- **Evite el contacto prolongado con polvo generado por el lijado, aserrado, pulido, taladrado y otras actividades de construcción. Vista ropas protectoras y lave las áreas de la piel expuestas con agua y jabón.** Si permite que el polvo se introduzca en la boca u ojos o quede sobre la piel, puede favorecer la absorción de productos químicos peligrosos.

! **ADVERTENCIA:** La utilización de esta herramienta puede generar polvo o dispersarlo, lo que podría causar daños graves y permanentes al sistema respiratorio, así como otras lesiones. Siempre use protección respiratoria aprobada por NIOSH (Instituto Nacional de Seguridad y Salud en el Trabajo) u OSHA (Administración de Seguridad y Salud en el Trabajo) apropiada para la exposición al polvo. Dirija las partículas en dirección contraria a la cara y el cuerpo.

! **ADVERTENCIA:** Siempre lleve la debida protección auditiva personal en conformidad con ANSI S12.6 (S3.19) durante el uso de esta herramienta. Bajo algunas condiciones y duraciones de uso, el ruido producido por este producto puede contribuir a la pérdida auditiva.

! **ATENCIÓN:** Cuando no esté en uso, guarde la herramienta apoyada en un costado sobre una superficie estable, donde no interrumpa el paso o provoque una caída. Algunas herramientas pueden colocarse paradas, pero pueden caerse fácilmente.

- **Los hilos del alargador deben ser de un calibre apropiado (AWG o American Wire Gauge) para su seguridad.** Mientras menor sea el calibre del hilo, mayor la capacidad del cable. Es decir, un hilo calibre 16 tiene mayor capacidad que uno de 18. Un cable de un calibre insuficiente causará una caída en la tensión de la línea dando por resultado una pérdida de energía y sobrecalentamiento. Cuando se utilice más de un alargador para completar el largo total, asegúrese que los hilos de cada alargador tengan el calibre mínimo. La tabla siguiente muestra el tamaño correcto a utilizar, dependiendo de la longitud del cable y del amperaje nominal de la placa de identificación. Si tiene dudas sobre cuál calibre usar, use un calibre mayor. Cuanto menor sea el número del calibre, más resistente será el cable.

Calibre mínimo de conjuntos de cables					
Voltios		Longitud total del cable en pies (metros)			
120 V		25 (7,6)	50 (15,2)	100 (30,5)	150 (45,7)
240 V		50 (15,2)	100 (30,5)	200 (61,0)	300 (91,4)
Amperaje nominal	Más de	AWG			
		Más de	Más de	Más de	Más de
0	6	18	16	16	14
6	10	18	16	14	12
10	12	16	16	14	12
12	16	14	12	No recomendado	

ESPAÑOL

La etiqueta de su herramienta puede incluir los siguientes símbolos. A continuación se indican los símbolos y sus definiciones:

V	voltios	~ or AC/DC...	corriente alterna o directa
Hz	hertz	□	Construcción de Clase II (doble aislamiento)
min	minutos	n ₀	velocidad sin carga
— or DC.....	direct current	IPXX	símbolo IP
⚡	Construcción de Clase I (tierra)	n	velocidad nominal
.../min.....	por minuto	⊕	terminal de conexión a tierra
BPM.....	golpes por minuto	⚠	símbolo de advertencia de seguridad
IPM.....	impactos por minuto	⚠	radiación visible
RPM.....	revoluciones por minuto	☞	protección respiratoria
sfpm	pies de superficie por minuto	👁	protección ocular
SPM.....	pasadas por minuto	👂	protección auditiva
OPM.....	oscilaciones por minuto	📖	lea toda la documentación
A.....	amperios		
W.....	watios		
~ or AC.....	corriente alterna		

GUARDE ESTAS INSTRUCCIONES PARA VOLVER A CONSULTAR EN EL FUTURO

COMPONENTES (FIG. A)

Motor

Asegúrese de que la fuente de energía concuerde con lo que se indica en la placa. Un descenso en el voltaje de más del 10% producirá una pérdida de potencia y sobrecalentamiento. Todas las herramientas son probadas en fábrica; si esta herramienta no funciona, verifique el suministro eléctrico.

Su máquina está cableada para 120 voltios, 60 HZ de corriente alterna. Antes de conectar la máquina a la fuente de alimentación, asegúrese que el interruptor esté en la posición OFF.

Uso Debido

Esta cepilladora portátil está diseñada para uso residencial para aplicaciones de cepillado de madera y productos de madera.

NO utilice la herramienta en condiciones de humedad o en presencia de líquidos o gases inflamables.

NO permita que los niños toquen la herramienta. Si el operador no tiene experiencia operando esta herramienta, su uso deberá ser supervisado.

MONTAJE Y AJUSTES

⚠ ADVERTENCIA: Para reducir el riesgo de lesiones personales, apague la unidad y desconéctela de la fuente de energía antes de realizar cualquier ajuste o retirar/instalar conexiones o accesorios. Una activación de arranque accidental puede causar lesiones.

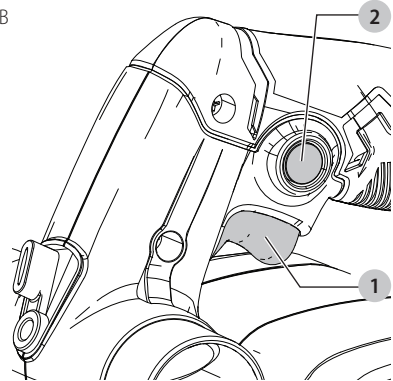
Interruptor y Botón de Bloqueo en Encendido (Fig. B)

⚠ ATENCIÓN: Verifique que la herramienta no esté bloqueada en operación continua antes de enchufarla a la toma de corriente. Si el interruptor de gatillo está bloqueado en operación continua, la herramienta arrancará apenas sea enchufada. Esto podría dañar la herramienta o resultar en lesiones corporales.

⚠ ATENCIÓN: Permita que la herramienta alcance la velocidad completa antes de tocar la superficie de trabajo con la herramienta. Levante la herramienta de la superficie de trabajo antes de apagar la herramienta.

1. Para arrancar la cepilladora, presione el interruptor de gatillo 1 en la Figura B. Para apagar la cepilladora, libere el interruptor de gatillo.
2. La herramienta puede bloquearse en encendido para su uso continuo. Para bloquear la herramienta, presione el interruptor de gatillo 1 y presione el botón de bloqueo en encendido 2. Mantenga presionado el botón de bloqueo de encendido mientras suelta suavemente el interruptor de gatillo. La herramienta continuará funcionando.
3. Para apagar la herramienta desde la posición de bloqueo en encendido, apriete y suelte el gatillo una vez.

Fig. B

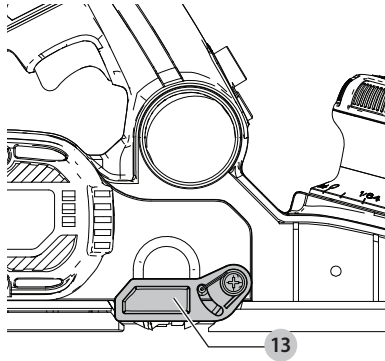


Protector de la Cuchilla (Fig. C)

1. Asegúrese de que el protector de la cuchilla accionado por resorte 13 esté en buenas condiciones antes de utilizar la cepilladora.

⚠ ADVERTENCIA: Riesgo de corte. No retire el protector.

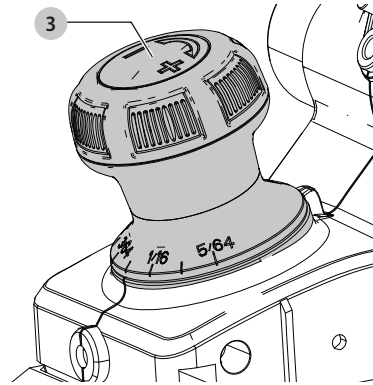
Fig. C



profundidad de corte se incrementará de 0 hasta un máximo de 2 mm (0 a 5/64").

- Se recomienda hacer los cortes de prueba en madera de descarte después de cada reajuste para asegurarse de que la cepilladora elimine la cantidad deseada de madera. Varias pasadas superficiales (en lugar de una sola profunda) producirán un acabado más suave.

Fig. E



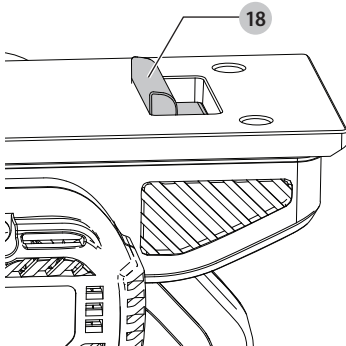
Pata de Apoyo (Fig. D)

- La cepilladora está equipada con una pata de apoyo **18** que baja automáticamente a su posición cuando la herramienta se levanta de la superficie de trabajo. Al cepillar, la pata de apoyo se eleva a medida que la herramienta se empuja hacia adelante. Cuando la pata de apoyo está abajo, la cepilladora se puede apoyar sobre la superficie de trabajo sin que la cuchilla entre en contacto.

⚠ ATENCIÓN: No bloquee el interruptor disparador en encendido y simultáneamente accione la pata de apoyo. La vibración del motor en funcionamiento provocará que la cepilladora se mueva y posiblemente caiga de la pieza de trabajo.

⚠ ATENCIÓN: Asegúrese de que la pata de apoyo esté extendido correctamente al poner la cepilladora sobre una superficie de trabajo.

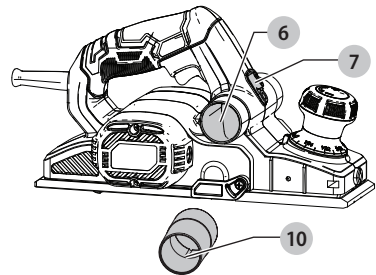
Fig. D



Adaptador para Aspiradora (Fig. F, G)

- Deslice el adaptador para aspiradora **10** sobre el conducto de descarga de astillas **6**.
- Conecte una manguera de aspiradora (no incluida) al adaptador.
- Para evitar que las astillas salgan por el lado opuesto del conducto de descarga de astillas, mueva la palanca deflectora de astillas **7** al lado opuesto del adaptador.

Fig. F



Ajuste de la Profundidad de Cepillado (Fig. E)

- La profundidad de cepillado es infinitamente variable de 0 a 2 mm (0 a 5/64"). Para ajustar la profundidad de corte, gire la perilla de ajuste de profundidad/mango delantero **3** hacia la derecha desde la posición "P". La

OPERACIÓN

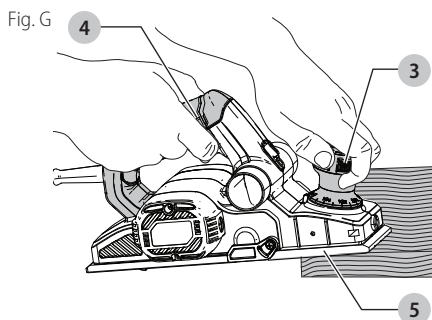
⚠ ADVERTENCIA: Para reducir el riesgo de lesiones personales, apague la unidad y desconéctela de la fuente de energía antes de realizar cualquier ajuste o retirar/instalar conexiones o accesorios. Una activación de arranque accidental puede causar lesiones.

Posición Adecuada de las Manos (Fig. C)

⚠ ADVERTENCIA: Para reducir el riesgo de lesión personal grave, tenga **SIEMPRE** las manos en una posición adecuada como se muestra.

⚠ ADVERTENCIA: Para reducir el riesgo de lesión personal grave, sujete **SIEMPRE** bien en caso de que haya una reacción repentina.

Sostenga la cepilladora en la posición correcta con una mano en la manija delantera **3** y la otra mano en la manija del interruptor **4**.



Cepillado (Fig. A, H, I)

⚠ ADVERTENCIA: Espere hasta que la cuchilla se detenga antes de apoyar la herramienta sobre una superficie. Una cuchilla expuesta puede embragar con la superficie y llevar a una posible pérdida de control y lesiones graves.

⚠ ATENCIÓN: Permita que la herramienta alcance la velocidad máxima antes de aplicarla a la superficie de trabajo. Levante la herramienta de la superficie de trabajo antes de apagarla.

1. Coloque la parte delantera de la zapata **5** sobre la superficie a cepillar, asegurándose de que las cuchillas de corte no estén en contacto con la superficie. Empuje firmemente hacia abajo sobre el mango delantero de la cepilladora de manera que la zapata delantera esté **ABSOLUTAMENTE AL RAS** sobre la superficie de trabajo. Oprima el interruptor disparador y permita que el motor alcance la velocidad máxima antes de que las cuchillas de la cepilladora toquen la superficie de trabajo.
2. Mueva la herramienta lentamente sobre la superficie de trabajo y ejerza una presión hacia abajo para mantener la cepilladora al ras. Sea especialmente cuidadoso para mantener la herramienta al ras al comienzo y al final de la superficie de trabajo.
3. Consejo de cepillado: Para lograr un aspecto más suave, fije un pedazo de madera de descarte en el extremo de la pieza que cepilla. No detenga el cepillado hasta que las cuchillas de corte de la cepilladora hayan sobrepasado la pieza de trabajo y estén sobre el material de descarte.

Fig. H

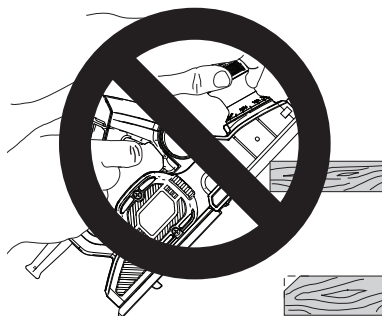
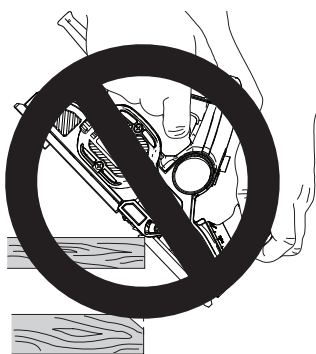


Fig. I



Guía para Rebajar (Fig. J, K)

⚠ ADVERTENCIA: Apague y desenchufe la herramienta antes de realizar cualquier ajuste o retirar o instalar accesorios.

⚠ ATENCIÓN: Permita que la herramienta alcance la velocidad máxima antes de aplicarla a la superficie de trabajo. Levante la herramienta de la superficie de trabajo antes de apagarla.

1. La guía para rebajar **9** puede instalarse en ambos lados de la cepilladora. La cepilladora puede realizar cortes de rebaje de hasta 12,7 mm (0,5").

Para instalar la Guía para Rebajar

- a. Enrosque la perilla **14** dentro del orificio del costado de la cepilladora como lo muestra la flecha de la Figura J.
- b. Afloje la perilla de ajuste de la guía para rebajar **8** y ajuste la guía a la distancia deseada.
- c. Ajuste firmemente la perilla de ajuste de la guía para rebajar.
- d. Cuando se instala correctamente, la guía para rebajar debe estar por debajo de la cepilladora como se muestra en la Figura K.

Para Realizar un Corte de Rebaje

- Gire la perilla de ajuste de la guía para rebajar **8** y ajuste el ancho de corte deseado.
- Realice varios cortes hasta alcanzar la profundidad de corte deseada.

NOTA: Para la mayoría de las aplicaciones de rebaje será necesario realizar unos cuantos cortes.

Fig. J

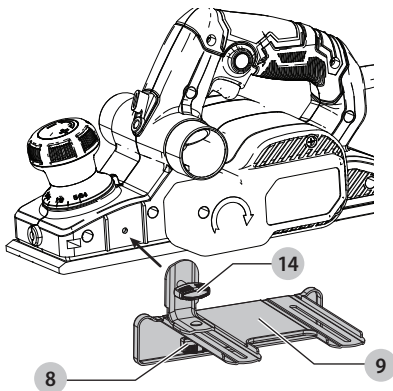
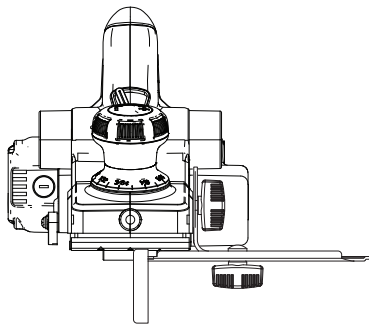


Fig. K

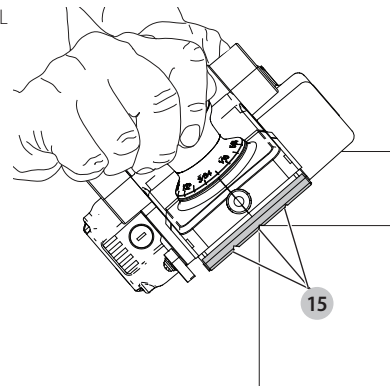


Biselado de Bordes (Fig. L)

- La cepilladora posee tres ranuras maquinadas a precisión para biselado de 1,5; 2,0 y 2,5 mm **15**. Éstas se encuentran en la zapata delantera y se utilizan para cepillar a lo largo de una esquina del material.
 - Ajuste a la profundidad de corte deseada.
 - Coloque la ranura sobre el borde del material.
 - Aplique peso sobre la parte delantera de la zapata de manera que la ranura quede al ras sobre el borde del material.
 - Sostenga la herramienta con ambas manos manteniendo la presión sobre el mango delantero.

NOTA: Una buena idea es probar con un trozo de madera de descarte antes de realizar el trabajo de acabado.

Fig. L



MANTENIMIENTO

⚠ ADVERTENCIA: Para reducir el riesgo de lesiones personales, apague la unidad y desconéctela de la fuente de energía antes de realizar cualquier ajuste o retirar/installar conexiones o accesorios. Una activación de arranque accidental puede causar lesiones.

Para Cambiar Cuchillas (Fig. M)

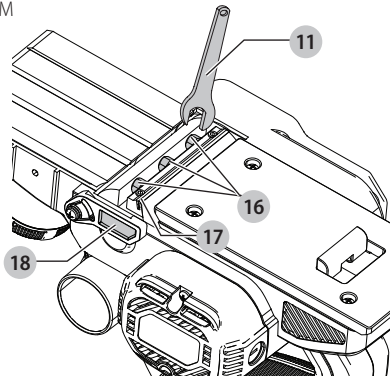
⚠ ADVERTENCIA: Riesgo de corte. Las cuchillas de la cepilladora son filosas y deben manipularse con cuidado.

NOTA: La CMEW300 posee dos cuchillas, una en cada lado del tambor de las cuchillas. Toda operación o ajuste debe efectuarse en ambas cuchillas. Las cuchillas de corte provistas con esta herramienta son reversibles.

Para Retirar la Cuchilla de la Cepilladora

- Coloque la cepilladora al revés como se muestra en la Figura M.
- Afloje las tres tuercas **16** utilizando la llave **11** provista.
- Gire el protector de la cuchilla **18** hacia abajo. Retire cuidadosamente la cuchilla **17** deslizándola fuera del soporte. Se puede utilizar un trozo de madera para hacer esto.
- Invierta la cuchilla de manera que el lado no utilizado quede en posición. Si ambos lados están desgastados, se debe reemplazar la cuchilla.

Fig. M



Para Reinstalar la Cuchilla

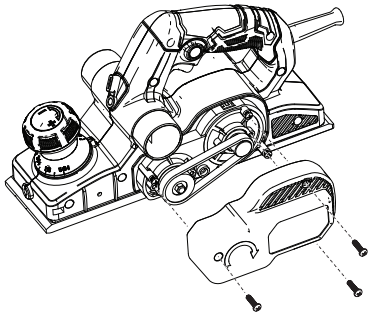
1. Deslice la cuchilla hacia el lado dentro del soporte hasta que se apoye contra el tope del extremo. La ranura de la cuchilla debe apuntar hacia la parte de atrás de la unidad.
2. Ajuste las tres tuercas firmemente utilizando la llave provista. Gire el tambor de las cuchillas 180° y repita el procedimiento para la otra cuchilla.
3. Siempre reinstale ambas cuchillas.

Correa de Transmisión (Fig. N)

Para Reemplazar la Correa

1. Afloje los tres tornillos que se muestran en la Figura N y retire la tapa de la correa.
2. Retire la correa antigua.
3. Coloque la correa nueva sobre la polea delantera y luego gire la correa hacia la izquierda mientras empuja la misma sobre la polea trasera.
4. Coloque la tapa de la correa y ajuste firmemente los tornillos.

Fig. N



Limpieza

ADVERTENCIA: Sople la suciedad y el polvo de todos los conductos de ventilación con aire seco, al menos una vez por semana. Para reducir el riesgo de lesiones, utilice siempre protección para los ojos aprobada ANSI Z87.1 al realizar esta tarea.

ADVERTENCIA: Nunca utilice solventes ni otros químicos abrasivos para limpiar las piezas no metálicas de la herramienta. Estos productos químicos pueden debilitar los materiales plásticos utilizados en estas piezas. Utilice un paño humedecido sólo con agua y jabón neutro. Nunca permita que penetre líquido dentro de la herramienta ni sumerja ninguna de las piezas en un líquido.

ADVERTENCIA: Apague y desenchufe la unidad antes de limpiar el conducto de descarga de astillas. Limpie el conducto de descarga de astillas 6 habitualmente. Sople el polvo y las virutas del puerto de polvo con aire limpio y seco. SIEMPRE USE GAFAS DE SEGURIDAD.

Accesorios

ADVERTENCIA: Debido a que no se han probado con este producto otros accesorios que no sean los que ofrece CRAFTSMAN, el uso de dichos accesorios con esta herramienta podría ser peligroso. Para reducir el riesgo de lesiones, con este producto deben usarse sólo los accesorios recomendados por CRAFTSMAN.

Los accesorios que se recomiendan para utilizar con la herramienta están disponibles a un costo adicional en su distribuidor local o en un centro de mantenimiento autorizado. Si necesita ayuda para localizar algún accesorio, póngase en contacto con CRAFTSMAN , o visite nuestro sitio web: **1-888-331-4569**.

Reparaciones

ADVERTENCIA: Para asegurar la SEGURIDAD y la CONFIABILIDAD del producto, las reparaciones, el mantenimiento y los ajustes (inclusive la inspección y el cambio de las escobillas, cuando proceda) deben ser realizados en un centro de mantenimiento en la fábrica CRAFTSMAN u en un centro de mantenimiento autorizado CRAFTSMAN. Utilice siempre piezas de repuesto idénticas.

Para reparación y servicio de sus herramientas eléctricas, favor de dirigirse al Centro de Servicio más cercano

CULIACAN, SIN

Bld. Emiliano Zapata 5400-1 Poniente Col. (667) 717 89 99 San Rafael

GUADALAJARA, JAL

Av. La Paz #1779 - Col. Americana Sector (33) 3825 6978 Juárez

MEXICO, D.F.

Eje Central Lázaro Cárdenas No. 18 - Local (55) 5588 9377 D, Col. Obrera

MERIDA, YUC

Calle 63 #459-A - Col. Centro (999) 928 5038

MONTERREY, N.L.

Av. Francisco I. Madero 831 Poniente - Col. (818) 375 23 13 Centro

PUEBLA, PUE

17 Norte #205 - Col. Centro (222) 246 3714

QUERETARO, QRO

Av. San Roque 274 - Col. San Gregorio (442) 2 17 63 14

SAN LUIS POTOSI, SLP

Av. Universidad 1525 - Col. San Luis (444) 814 2383

TORREON, COAH

Blvd. Independencia, 96 Pte. - Col. Centro (871) 716 5265

VERACRUZ, VER

Prolongación Díaz Mirón #4280 - Col. Remes (229) 921 7016

VILLAHERMOSA, TAB

Constitución 516-A - Col. Centro (993) 312 5111

PARA OTRAS LOCALIDADES:

Si se encuentra en México, por favor llame al (55) 5326 7100

Si se encuentra en U.S., por favor llame al 1-888-331-4569

Póliza de Garantía

IDENTIFICACIÓN DEL PRODUCTO:

Sello o firma del Distribuidor.

Nombre del producto: _____

Mod./Cat.: _____

Marca: _____

Núm. de serie: _____

(Datos para ser llenados por el distribuidor)

Fecha de compra y/o entrega del producto: _____

Nombre y domicilio del distribuidor donde se adquirió el producto: _____

Este producto está garantizado por un año a partir de la fecha de entrega, contra cualquier defecto en su funcionamiento, así como en materiales y mano de obra empleados para su fabricación. Nuestra garantía incluye la reparación o reposición del producto y/o componentes sin cargo alguno para el cliente, incluyendo mano de obra, así como los gastos de transportación razonablemente erogados derivados del cumplimiento de este certificado. Para hacer efectiva esta garantía deberá presentar su herramienta y esta póliza sellada por el establecimiento comercial donde se adquirió el producto, de no contar con ésta, bastará la factura de compra.

Excepciones

Esta garantía no será válida en los siguientes casos:

- Cuando el producto se hubiese utilizado en condiciones distintas a las normales;

- Cuando el producto no hubiese sido operado de acuerdo con el instructivo de uso que se acompaña;
- Cuando el producto hubiese sido alterado o reparado por personas distintas a las enlistadas al final de este certificado.

Anexo encontrará una relación de sucursales de servicio de fábrica, centros de servicio autorizados y franquiciados en la República Mexicana, donde podrá hacer efectiva su garantía y adquirir partes, refacciones y accesorios originales.

Solamente para propósito de México:

Importado por: Craftsman. Tool Co. S.A. de C.V.
Avenida Antonio Dovali Jaime, # 70 Torre B Piso 9
Colonia La Fe, Santa Fé
Código Postal : 01210
Delegación Alvaro Obregón
México D.F.
Tel. (52) 555-326-7100
R.F.C.: BDE810626-1W7

Registro en Línea

Gracias por su compra. Registre su producto ahora para:

- **SERVICIO EN GARANTÍA:** Si completa esta tarjeta, podrá obtener un servicio en garantía más eficiente, en caso de que exista un problema con su producto.
- **CONFIRMACIÓN DE PROPIEDAD:** En caso de una pérdida que cubra el seguro, como un incendio, una inundación o un robo, el registro de propiedad servirá como comprobante de compra.
- **PARA SU SEGURIDAD:** Si registra el producto, podremos comunicarnos con usted en el caso improbable que se deba enviar una notificación de seguridad conforme a la Federal Consumer Safety Act (Ley Federal de Seguridad de Productos para el Consumidor).

Registro en línea en www.craftsman.com/registration.

Garantía Limitada por Tres Años

CRAFTSMAN reparará o reemplazará, sin cargo, cualquier defecto debido a materiales o mano de obra defectuosos por tres años desde la fecha de compra. Esta garantía no cubre falla de partes debido al desgaste normal o abuso de la herramienta. Para detalles adicionales de la cobertura de la garantía e información de reparación de garantía, visite www.craftsman.com o llame al **1-888-331-4569**.

Esta garantía no se aplica a accesorios o daño causado cuando otros hayan realizado o intentado reparaciones. ESTA GARANTÍA LIMITADA SE OTORGA EN LUGAR DE TODAS LAS DEMÁS, INCLUIDA LA GARANTÍA IMPLÍCITA DE COMERCIABILIDAD E IDONEIDAD PARA UN PROPÓSITO EN PARTICULAR, Y EXCLUYE TODOS LOS DAÑOS INCIDENTALES O EN CONSECUENCIA. Algunos estados no permiten limitaciones sobre la duración de una garantía implícita o la exclusión o limitación de daños incidentales o en consecuencia, por lo que estas limitaciones pueden no aplicarse en su caso. Esta garantía le da derechos legales específicos y puede tener otros derechos que varían en ciertos estados o provincias.

**GARANTÍA DE REEMBOLSO DE SU DINERO
POR 90 DÍAS**

Si no está completamente satisfecho con el desempeño de su máquina herramienta o clavadora CRAFTSMAN, cualquiera sea el motivo, podrá devolverlo hasta 90 días de la fecha de compra con su recibo y obtener el reembolso completo de su dinero – sin necesidad de responder a ninguna pregunta.

AMÉRICA LATINA: Esta garantía no se aplica a los productos que se venden en América Latina. Para los productos que se venden en América Latina, debe consultar la información de la garantía específica del país que viene en el empaque, llamar a la compañía local o visitar el sitio Web a fin de obtener esa información.

REEMPLAZO GRATUITO DE LAS ETIQUETAS DE

ADVERTENCIAS: Si sus etiquetas de advertencia se vuelven ilegibles o faltan, llame al **1-888-331-4569** para que se le reemplacen gratuitamente.

GUÍA DE SOLUCIÓN DE PROBLEMAS

ASEGÚRESE DE SEGUIR LAS REGLAS E INSTRUCCIONES DE SEGURIDAD

Para conocer la ubicación del centro de mantenimiento más cercano a fin de recibir ayuda con su producto, visite nuestro sitio Web www.craftsman.com o llame a la línea de ayuda CRAFTSMAN al 1-888-331-4569.

PROBLEMA	CAUSA POSIBLE	SOLUCIÓN POSIBLE
La unidad no enciende.	Cable desenchufado.	Enchufe el cargador en un tomacorriente que funcione.
	Fusible quemado.	Reemplace el fusible quemado. (Si el producto causa repetidamente que se funda el fusible de circuito, descontinúe el uso de inmediato, y pida que le den servicio en un centro de servicio autorizado.)
	El interruptor automático está activado.	Reinicie el interruptor automático. (Si el producto causa repetidamente que se funda el fusible de circuito, descontinúe el uso de inmediato, y pida que le den servicio en un centro de servicio autorizado.)
	Interruptor o cable dañado.	Pida que un centro de servicio autorizado reemplace el cable o interruptor.







CRAFTSMAN , 701 East Joppa Road, Towson, MD 21286
Copyright © 2018