

CRAFTSMAN®

INSTRUCTION MANUAL | GUIDE D'UTILISATION | MANUAL DE INSTRUCCIONES

6" (152 mm) Variable Speed Bench Jointer

**Banc de dégauchissage de 152 mm (6 po) à
vitesse variable**

**Ingleteadora de Banco de Velocidad Variable de
152 mm (6")**

CMEW020



IF YOU HAVE QUESTIONS OR COMMENTS, CONTACT US.
POUR TOUTE QUESTION OU TOUT COMMENTAIRE, NOUS CONTACTER.
SI TIENE DUDAS O COMENTARIOS, CONTÁCTENOS.

1-888-331-4569

WWW.CRAFTSMAN.COM

English (**original instructions**)

1

Français (*traduction de la notice d'instructions originale*)

14

Español (*traducido de las instrucciones originales*)

28

Definitions: Safety Alert Symbols and Words

This instruction manual uses the following safety alert symbols and words to alert you to hazardous situations and your risk of personal injury or property damage.





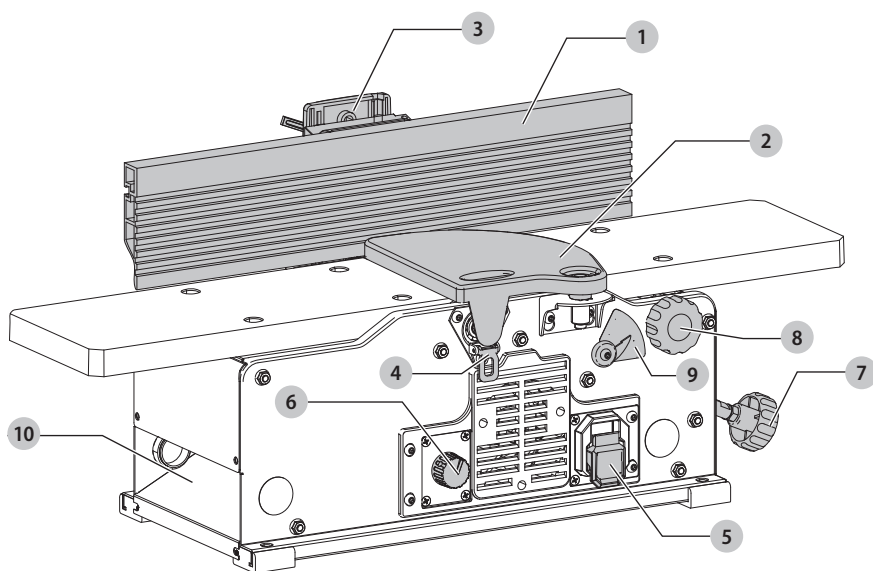

-  **DANGER:** Indicates an imminently hazardous situation which, if not avoided, **will** result in **death or serious injury**.
-  **WARNING:** Indicates a potentially hazardous situation which, if not avoided, **could** result in **death or serious injury**.
-  **CAUTION:** Indicates a potentially hazardous situation which, if not avoided, **may** result in **minor or moderate injury**.
-  (Used without word) Indicates a safety related message.
- NOTICE:** Indicates a practice **not related to personal injury** which, if not avoided, **may** result in **property damage**.

Fig. A




COMPONENTS

- 1 Fence
- 2 Cutterhead guard
- 3 Fence sliding bracket
- 4 Cutterhead lock
- 5 On/off switch
- 6 Variable speed control
- 7 Table height adjustment
- 8 Lock knob
- 9 Depth scale
- 10 Dust shoot

 **WARNING: Read all safety warnings and all instructions.** Failure to follow the warnings and instructions may result in electric shock, fire and/or serious injury.

 **WARNING: Never modify the power tool or any part of it.** Damage or personal injury could result.

 **WARNING: To reduce the risk of injury, read the instruction manual.**

If you have any questions or comments about this or any product, call CRAFTSMAN toll free at: 1-888-331-4569.

6" (152 mm) Variable Speed Bench Jointer CMEW020

General Safety Instructions

- KEEP GUARDS IN PLACE** and in working order.
- REMOVE ADJUSTING KEYS AND WRENCHES.** Form habit of checking to see that keys and adjusting wrenches are removed from tool before turning it on.
- KEEP WORK AREA CLEAN.** Cluttered areas and benches invite injuries.
- DON'T USE IN DANGEROUS ENVIRONMENT.** Don't use power tools in damp or wet locations, or expose them to rain. Keep work area well lighted. Always operate tool in a well-ventilated area free of combustible materials, gasoline or solvent vapors. If sparks come in contact with flammable vapors, they may ignite, causing fire or explosion.
- KEEP CHILDREN AWAY.** All visitors should be kept safe distance from work area.
- MAKE WORKSHOP KID PROOF** with padlocks, master switches, or by removing starter keys.
- DON'T FORCE TOOL.** It will do the job better and safer at the rate for which it was designed.
- USE RIGHT TOOL.** Don't force tool or attachment to do a job for which it was not designed.
- USE PROPER EXTENSION CORD.** Make sure your extension cord is in good condition. When using an extension cord, be sure to use one heavy enough to carry the current your product will draw. An undersized cord will cause a drop in line voltage resulting in overheating and loss of power. The Minimum Gauge for Cord Sets table shows the correct size to use depending on cord length and nameplate ampere rating. If in doubt, use the next heavier gauge. The smaller the gauge number, the heavier the cord. When operating a power tool outside, use an outdoor extension cord marked "W-A" or "W." These cords are rated for outdoor use and reduce the risk of electric shock.
- WEAR PROPER APPAREL.** Do not wear loose clothing, gloves, neckties, rings, bracelets, or other jewelry which may get caught in moving parts. Nonslip footwear is recommended. Wear protective hair covering to contain long hair. Air vents often cover moving parts and should also be avoided.
- ALWAYS USE SAFETY GLASSES.** Also use face or dust mask if cutting operation is dusty. Everyday eyeglasses only have impact resistant lenses, they are not safety glasses.
- SECURE WORK.** Use of clamps or a vise to hold work when practical. It's safer than using your hands and it frees both hands to operate tool.
- DON'T OVERREACH.** Keep proper footing and balance at all times.
- MAINTAIN TOOLS WITH CARE.** Keep tools sharp and clean for best and safest performance. Follow instructions for lubricating and changing accessories.

- DISCONNECT TOOLS** before servicing; when changing accessories, such as blades, bits, cutters, and the like.
- REDUCE THE RISK OF UNINTENTIONAL STARTING.** Make sure switch is in off position before plugging in.
- USE RECOMMENDED ACCESSORIES.** Consult the instruction manual for recommended accessories. The use of improper accessories may cause risk of injury to persons.
- NEVER STAND ON TOOL.** Serious injury could occur if the tool is tipped or if the cutting tool is unintentionally contacted.
- CHECK DAMAGED PARTS.** Before further use of the tool, a guard or other part that is damaged should be carefully checked to determine that it will operate properly and perform its intended function—check for alignment of moving parts, binding of moving parts, breakage of parts, mounting, and any other conditions that may affect its operation. A guard or other part that is damaged should be properly repaired or replaced.
- DIRECTION OF FEED.** Feed work into planer according to direction of feed arrows on top of the unit.
- NEVER LEAVE TOOL RUNNING UNATTENDED. TURN POWER OFF.** Don't leave tool until it comes to a complete stop.

Additional Safety Rules for Jointers



WARNING: Failure to follow these rules may result in serious personal injury.

- Do not operate this machine until it is completely assembled and installed according to the instructions.** A machine incorrectly assembled can cause serious injury.
- Obtain advice from your supervisor, instructor, or another qualified person if you are not thoroughly familiar with the operation of this machine.** Knowledge is safety.
- Follow all wiring codes and recommended electrical connections to prevent shock or electrocution.**
- Keep knives sharp and free from rust and pitch.** Dull or rusted knives work harder and can cause kickback.
- Tighten the infeed/outfeed tables before starting the machine.** Loss of control of the workpiece can cause serious injury.
- Properly secure the blades in the cutterhead before turning the power "ON".** Loose blades may be thrown out at high speeds.
- Never turn the machine "ON" before clearing the table of all objects (tools, scraps of wood, etc.).** Flying debris can cause serious injury.
- Never turn the machine "ON" with the workpiece contacting the cutterhead.** Kickback can occur.
- Avoid awkward operations and hand positions.** A sudden slip could cause a hand to move into the cutterhead.

10. **Keep arms, hands, and fingers away from the cutterhead to prevent severe injury.**
11. **Never make cuts deeper than 1/8" (3.2 mm) to prevent kickback.**
12. **Never joint or plane a workpiece that is shorter than 10" (254 mm), narrower than 3/4" (19 mm), or less than 1/2" (12.7mm) thick.** Jointing smaller workpieces can place your hand in the cutterhead causing severe injury.
13. **Use hold-down/push blocks for jointing or planing any workpiece lower than the fence.** Jointing or planing small workpieces can result in kickback and severe injury.
14. **Hold the workpiece firmly against the table and fence.** Loss of control of the workpiece can cause kickback and result in serious injury.
15. **Never perform "free-hand" operations. Use the fence to position and guide the workpiece.** Loss of control of the workpiece can cause serious injury.
16. **Do not attempt to perform an abnormal or little-used operation without study and the use of adequate hold-down/push blocks, jigs, fixtures, stops, etc.**
17. **Do not feed a workpiece into the outfeed end of the machine.** The workpiece will be thrown out of the opposite end at high speeds.
18. **Do not feed a workpiece that is warped, contains knots, or is embedded with foreign objects (nails, staples, etc.) to prevent kickback.**
19. **Maintain the proper relationship of infeed and outfeed table surfaces and cutterhead knife path.** Loss of control of the workpiece can cause serious injury.
20. **Properly support long or wide workpieces.** Loss of control of the workpiece can cause injury.
21. **Never perform layout, assembly, or set-up work on the table/work area when the machine is running. A sudden slip could cause a hand to move into the cutterhead.** Severe injury can result.
22. **Remove shavings only with the power "OFF" and the cutterhead stopped to prevent serious injury.**
23. **Turn the machine "OFF", disconnect the machine from the power source, and clean the table/work area before leaving the machine. Lock the switch in the "OFF" position to prevent unauthorized use.** Someone else might accidentally start the machine and cause injury to themselves.
24. **Additional information regarding the safe and proper operation of power tools (i.e. a safety video) is available from the Power Tool Institute, 1300 Sumner Avenue, Cleveland, OH 44115-2851 (www.powertoolinstitute.com). Information is also available from the National Safety Council, 1121 Spring Lake Drive, Itasca, IL 60143-3201. Please refer to the American National Standards Institute ANSI O1.1 Safety Requirements for Woodworking Machines and the U.S. Department of Labor OSHA 1910.213 Regulations.**
25. **Keep cutterhead guard in place and in working order.**

Additional Safety Information



WARNING: ALWAYS use safety glasses. Everyday eyeglasses are NOT safety glasses. Also use face or dust mask if operation is dusty. ALWAYS WEAR CERTIFIED SAFETY EQUIPMENT:

- ANSI Z87.1 eye protection (CAN/CSA Z94.3),
- ANSI S12.6 (S3.19) hearing protection,
- NIOSH/OSHA/MSHA respiratory protection.



WARNING: Some dust created by power sanding, sawing, grinding, drilling, and other construction activities contains chemicals known to the State of California to cause cancer, birth defects or other reproductive harm. Some examples of these chemicals are:

- lead from lead-based paints,
- crystalline silica from bricks and cement and other masonry products, and
- arsenic and chromium from chemically-treated lumber.

Your risk from these exposures varies, depending on how often you do this type of work. To reduce your exposure to these chemicals: work in a well ventilated area, and work with approved safety equipment, such as those dust masks that are specially designed to filter out microscopic particles.

- **Avoid prolonged contact with dust from power sanding, sawing, grinding, drilling, and other construction activities. Wear protective clothing and wash exposed areas with soap and water.** Allowing dust to get into your mouth, eyes, or lay on the skin may promote absorption of harmful chemicals.



WARNING: Use of this tool can generate and/or disperse dust, which may cause serious and permanent respiratory or other injury. Always use NIOSH/OSHA approved respiratory protection appropriate for the dust exposure. Direct particles away from face and body.



WARNING: Always wear proper personal hearing protection that conforms to ANSI S12.6 (S3.19) during use. Under some conditions and duration of use, noise from this product may contribute to hearing loss.

- **Air vents often cover moving parts and should be avoided.** Loose clothes, jewelry or long hair can be caught in moving parts.
- **An extension cord must have adequate wire size (AWG or American Wire Gauge) for safety.** The smaller the gauge number of the wire, the greater the capacity of the cable, that is, 16 gauge has more capacity than 18 gauge. An undersized cord will cause a drop in line voltage resulting in loss of power and overheating. When using more than one extension to make up the total length, be sure each individual extension contains at least the minimum wire size. The following table shows the correct size to use depending on cord length and nameplate ampere rating. If in doubt, use the next heavier gauge. The lower the gauge number, the heavier the cord.

Minimum Gauge for Cord Sets

Volts	Total Length of Cord in Feet (meters)									
	120 V	25 (7.6)	50 (15.2)	100 (30.5)	150 (45.7)					
240 V	50 (15.2)	100 (30.5)	200 (61.0)	300 (91.4)						
Ampere Rating		American Wire Gauge								
More Than	Not More Than									
0	6						18	16	16	14
6	10						18	16	14	12
10	12						16	16	14	12
12	16	14	12	Not Recommended						

Power Connections

A separate electrical circuit should be used for your machines. This circuit should not be less than #12 wire and should be protected with a 20 Amp time lag fuse.

NOTE: Time delay fuses should be marked "D" in Canada and "T" in the U.S. If an extension cord is used, use only 3-wire extension cords which have 3-prong grounding type plugs and matching receptacle which will accept the machine's plug. Before connecting the machine to the power line, make sure the switch (or switches) is in the "OFF" position and be sure that the electric current is of the same characteristics as indicated on the machine. All line connections should make good contact. Running on low voltage will damage the machine.

⚠ DANGER: Do not expose the machine to rain or operate the machine in damp locations.

Motor Specifications

Your machine is wired for 120 Volts, 60 Hz alternating current. Before connecting the machine to the power source, make sure the switch is in the "OFF" position.

Grounding Instructions (Fig B, C)

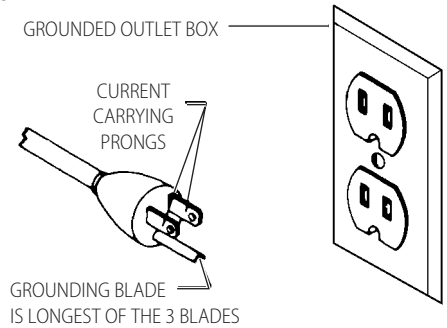
⚠ DANGER: This machine must be grounded while in use to protect the operator from electric shock.

1. All grounded, cord-connected machines:

- In the event of a malfunction or breakdown, grounding provides a path of least resistance for electric current to reduce the risk of electric shock. This machine is equipped with an electric cord having an equipment-grounding conductor and a grounding plug. The plug must be plugged into a matching outlet that is properly installed and grounded in accordance with all local codes and ordinances.
- Do not modify the plug provided - if it will not fit the outlet, have the proper outlet installed by a qualified electrician.
- Improper connection of the equipment-grounding conductor can result in risk of electric shock. The conductor with insulation having an outer surface that is green with or without yellow stripes is the equipment-grounding conductor. If repair or replacement of the electric cord or plug is necessary, do not connect the equipment-grounding conductor to a live terminal.

- Check with a qualified electrician or service personnel if the grounding instructions are not completely understood, or if in doubt as to whether the machine is properly grounded.
- Use only 3-wire extension cords that have 3-prong grounding type plugs and matching 3-conductor receptacles that accept the machine's plug, as shown in Fig. B.
- Repair or replace damaged or worn cord immediately.

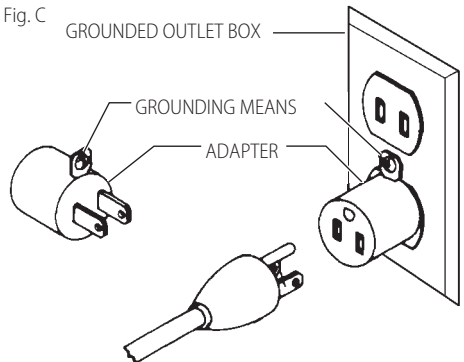
Fig. B



2. Grounded, cord-connected machines intended for use on a supply circuit having a nominal rating less than 150 Volts:

- If the machine is intended for use on a circuit that has an outlet that looks like the one illustrated in Fig. B, the machine will have a grounding plug that looks like the plug illustrated in Fig. B. A temporary adapter, which looks like the adapter illustrated in Fig. C, may be used to connect this plug to a matching 2-conductor receptacle as shown in Fig. C if a properly grounded outlet is not available. The temporary adapter should be used only until a properly grounded outlet can be installed by a qualified electrician. The green-colored rigid ear, lug, and the like, extending from the adapter must be connected to a permanent ground such as a properly grounded outlet box. Whenever the adapter is used, it must be held in place with a metal screw.

Fig. C



NOTE: In Canada, the use of a temporary adapter is not permitted by the Canadian Electric Code.

⚠ DANGER: In all cases, make certain that the receptacle in question is properly grounded. If you are not sure, have a qualified electrician check the receptacle.

SAVE THESE INSTRUCTIONS FOR FUTURE USE

COMPONENTS (FIG. A)

Motor

Be sure your power supply agrees with the nameplate marking. Voltage decrease of more than 10% will cause loss of power and overheating. These tools are factory tested; if this tool does not operate, check power supply.

Intended Use

The CMEW020 is a 6" (152 mm), variable-speed bench jointer intended for jointing and planing wood with a designed cutting capacity of 6" (152 mm) wide and 1/8" (3 mm) deep. Unit includes a 10 Amp, 120 Volt motor with a variable speed range of 6000 to 11000 RPM, and a cutting speed range of 12000 to 22000 CPM, a dust chute, a center-mounted fence, a two-knife cutterhead, a cutterhead guard and lock, wrenches, and push blocks.

DO NOT use under wet conditions or in presence of flammable liquids or gases.

DO NOT let children come into contact with the tool.

Supervision is required when inexperienced operators use this tool.

ASSEMBLY AND ADJUSTMENTS

⚠ WARNING: To reduce the risk of serious personal injury, turn unit off and disconnect it from power source before making any adjustments or removing/installing attachments or accessories. An accidental start-up can cause injury.

Unpacking and Cleaning

Carefully unpack the machine and all loose items from the shipping container(s). Remove the rust-preventative oil from unpainted surfaces using a soft cloth moistened with mineral spirits, paint thinner or denatured alcohol.

NOTICE: Do not use highly volatile solvents such as gasoline, naphtha, acetone or lacquer thinner for cleaning your machine.

After cleaning, cover the unpainted surfaces with a good quality household floor paste wax.

Assembly Tools Required

Two hex wrenches (supplied)

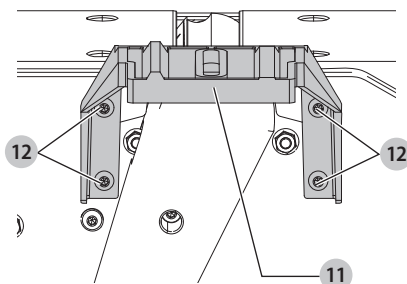
Assembly Time Estimate

Assembly for this machine takes approximately 1 hour.

Fence (Fig. D–J)

1. Assemble the fence mounting bracket **11** to the jointer base using the four M6 x 1 mm x 16 mm button head screws **12**.

Fig. D



2. Assemble the fence sliding bracket **3** to fence mounting bracket **11** using the lockhandle **19**, M8 flat washer **13** and special nut **14**.

Fig. E

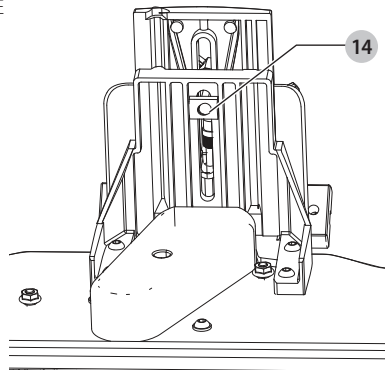
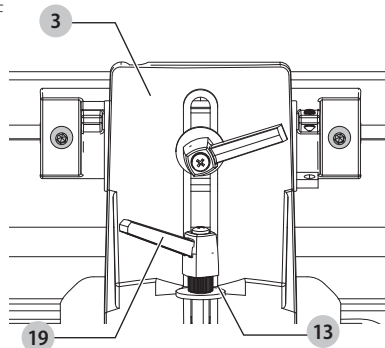
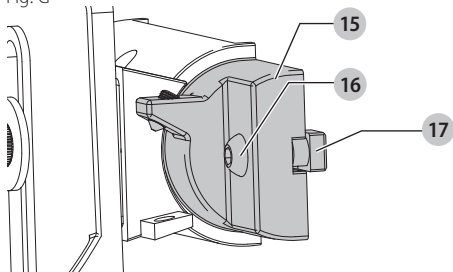


Fig. F



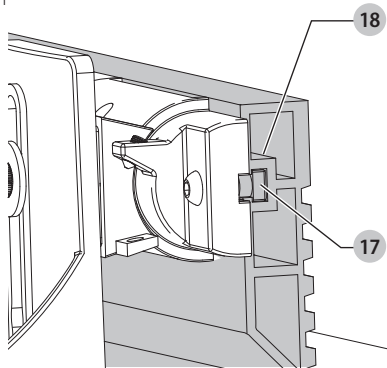
3. Insert a M6 x 1 mm x 16 mm button head screw **16** through fence tilting bracket **15** and thread a M6 x 1 square nut **17** onto threaded end of screw **16**. DO NOT COMPLETELY TIGHTEN SCREW AT THIS TIME. Assemble screw and square nut to opposite end of tilting bracket in the same manner.

Fig. G



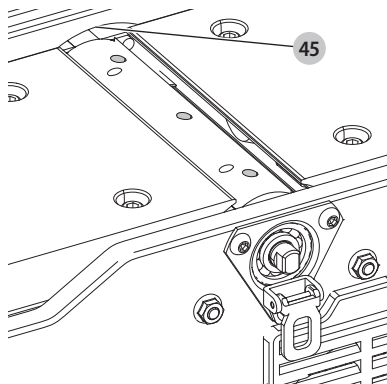
4. Slide groove of fence **18** over square nuts **17**.

Fig. H



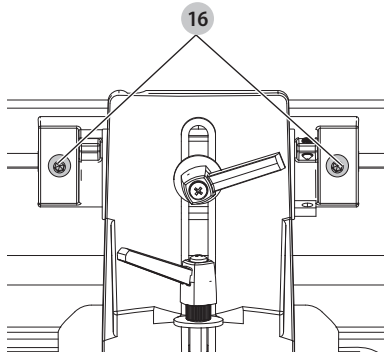
5. Position fence **1** so that rounded section **45** on bottom of fence is over cutterhead opening.

Fig. I



6. Tighten two screws **16** using included hex wrench.

Fig. J



Cutterhead Guard (Fig. K1)



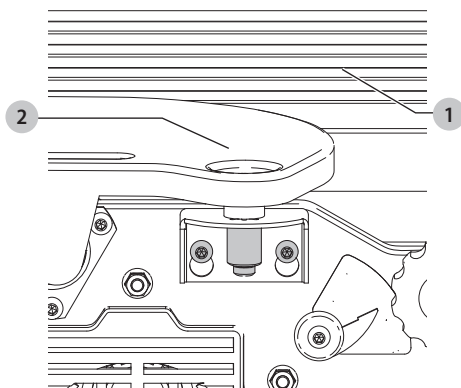
WARNING: Keep hands away from the cutterhead during use.



WARNING: Do not remove the cutterhead guard, do not block the cutterhead guard, make sure cutterhead guard spring back freely and touch the fence.

The cutterhead guard **2** is designed to rest against the fence **1**. It will automatically move as the workpiece is advanced toward the cutterhead and spring back against the fence after the workpiece passes the cutterhead. With the jointer off check for proper position and motion prior to each operation. Always use the cutterhead guard.

Fig. K1

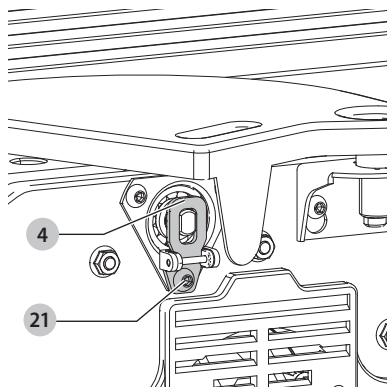


Cutterhead Lock (Fig. K2)

Assemble cutterhead lock **4** to the front side of the jointer base, using the M6 x 1 mm x 12 mm button head screw **21**.

NOTE: The cutterhead lock is to be engaged with the cutterhead shaft only when setting knives. All other times, the cutterhead lock should be disengaged from the cutterhead.

Fig. K2



Fastening Jointer to Supporting Surface (Fig. M)

If during operation, there is any tendency for the jointer to tip over, slide or “walk” on the supporting surface, the jointer must be secured to the supporting surface. Four holes (two of which are shown at **22** Fig. M, are provided for this purpose.

Dust Collector Hose Adapter (Fig. L, M)

A dust collector hose adapter **23** is supplied with the jointer to help connect it to a standard 2" (51 mm) vacuum hose. To assemble the adapter:

1. Remove two screws **25**. Loosen screws **26**.
2. Slide adapter's slots **24** under loosened screws **26**.
3. Tighten screws **26** when adapter **23** is in proper location.
4. Replace and tighten screws **25**.

NOTICE: Do not install this vacuum hose adapter unless you will be using a dust collector.

Fig. L

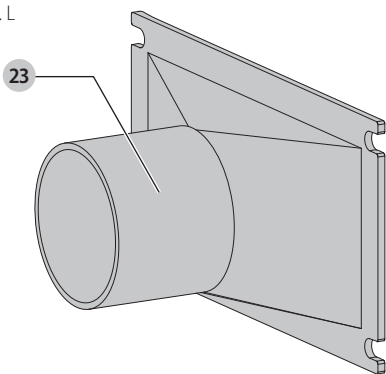
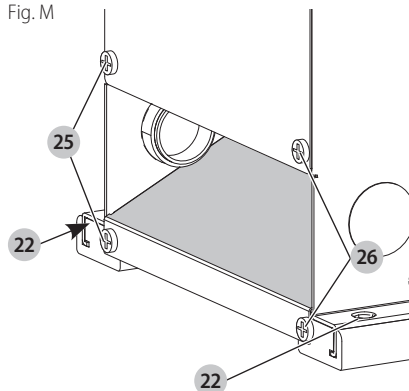


Fig. M



OPERATION

! **WARNING:** To reduce the risk of serious personal injury, turn unit off and disconnect it from power source before making any adjustments or removing/installing attachments or accessories. An accidental start-up can cause injury.

Stopping and Starting the Jointer (Fig. A, N)

! **WARNING:** Make sure that the switch is pressed down so that the tool is turned "OFF" before plugging in the power cord. In the event of a power failure, press the switch down into the "OFF" position. An accidental start-up can cause injury.

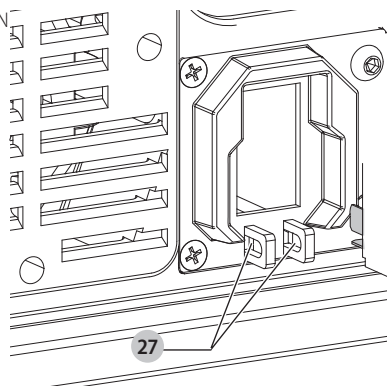
LOCKING THE SWITCH DOWN INTO THE "OFF" POSITION

NOTE: When the machine is not in use, the switch should be locked in the down position to prevent unauthorized use. Two holes **27** are provided in the bottom of the switch housing (Fig. N) for locking off the planer with a padlock.

To turn the planer on:

1. Lift up the switch **5** (Fig. A). The planer locks on automatically.
2. To turn the tool off, press the switch down.

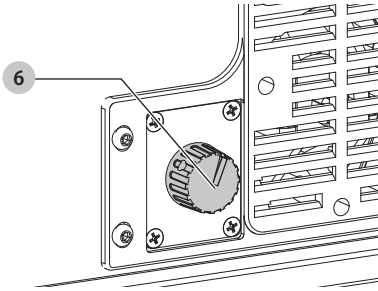
Fig. N



Variable Speed Control (Fig. O)

Your jointer is supplied with variable speed control **6** that enables you to operate the machine at cutterhead speeds between 6000 and 11000 RPM. Speed indicators of 1, 2, 3, 4 and 5 are provided on the speed dial.

Fig. O



Speed	Approximate RPM
1	6000
2	7250
3	8800
4	9750
5	11000

Speed Selection Chart

Use the speed selection chart to determine the proper setting for your workpiece.

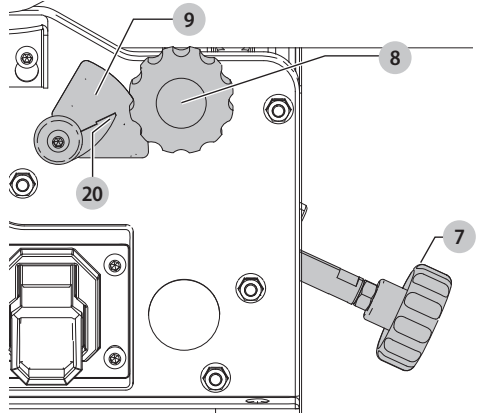
NOTE: For convenience, make a copy of this chart and post it on or near the machine.

SPEED SELECTION CHART						
CUTTING WIDTH				CONTROL SETTING		
FROM		TO		PLASTICS	SOFT WOOD	HARD WOOD
inches	mm	inches	mm			
0	0	1-1/2	38.1	1	1	1
1-1/2	38.1	2-1/2	65.5	2	2	3
2-1/2	63.5	3-1/4	82.5	3	3	4
3-1/4	82.5	4	101.6	-	4	5
4	101.6	6	152.4	-	5	5

Depth of Cut Adjustment (Fig. P)

The jointer can be set to cut any depth from a very thin shaving to 1/8" (3.2 mm) deep. A dual English/Metric scale **9**, and pointer **20** are provided to indicate the depth of cut. To adjust for depth of cut, loosen lock knob **8** and turn table height adjustment knob **7** clockwise to lower and counterclockwise to raise the infeed table. Raising the infeed table decreases the depth of cut, while lowering it will increase the depth. After the infeed table is at the desired setting, tighten lock knob.

NOTE: For best results, final positioning of the infeed table should always be made from the bottom to the up position. Fig. P

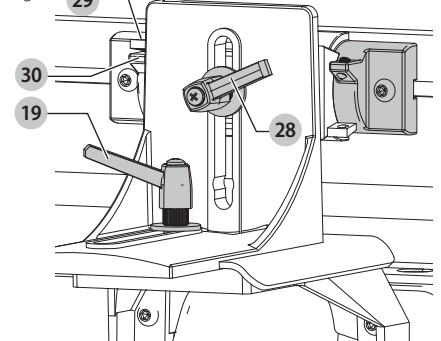


Fence Adjustments (Fig. Q-T)

The fence can be moved across the table and can be tilted up to 45°, as follows:

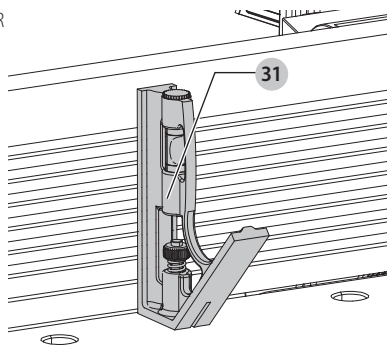
- To move the fence across the table, loosen lock lever **19**, slide the fence to the desired position on the table and tighten lever. **NOTE:** Lock lever is spring loaded and can be repositioned by pulling up on the lever and repositioning it on the nut located underneath the lever.
- To tilt the fence, loosen lever **28** and tilt the fence to the desired angle. Then tighten lever. **NOTE:** Lever is spring loaded and can be repositioned by pulling out on the lever and repositioning it on the nut located underneath the lever.

Fig. Q



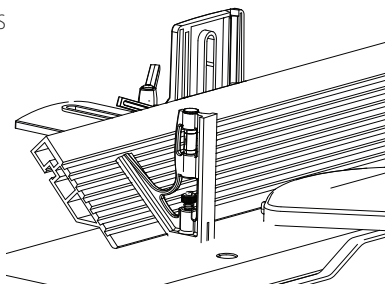
- The fence features adjustable positive stops at the most used fence positions of 90° and 45° to the right. To check and adjust the positive stops, proceed as follows:
 - Place a square **31** on the table with one end of the square against the fence as shown. Adjust the fence until it is exactly 90° to the table.

Fig. R



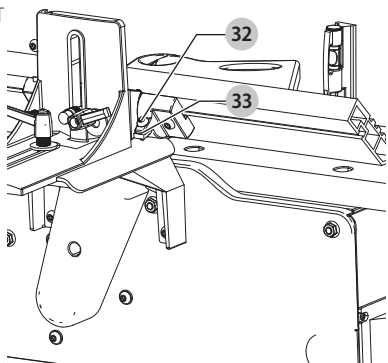
- b. Using supplied hex wrench, turn set screw **29** until it contacts stop **30**.
- c. Using a square **31**, tilt the table to the 45° position and make sure the fence is 45° to the table. Adjust the fence if necessary.

Fig. S



- d. Using supplied hex wrench, turn set screw **32** until it contacts stop **33**.

Fig. T



- e. These positive stops enable you to rapidly position the table to the 90° and 45° settings.

CAUTION: Make sure the fence is in level contact with the surface of the outfeed table.

Adjusting Knives (Fig. U–Y)

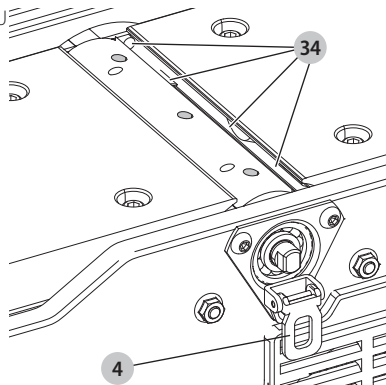
WARNING: The knives are sharp.

- WARNING:** Disconnect machine from power source.
- WARNING:** Be extremely careful that your hands do not come in contact with the knives.
- WARNING:** Make certain that all knives are securely fastened in cutterhead before turning on power.

When it becomes necessary to replace or adjust the knives due to replacement or wear:

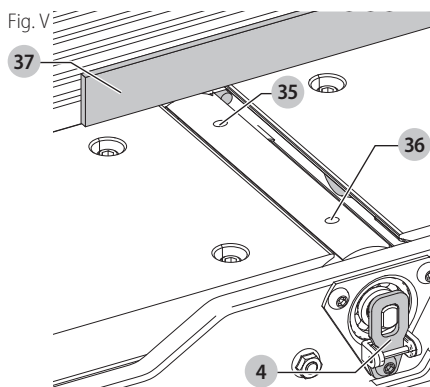
1. Remove cutterhead guard.
2. To replace a knife, disengage the cutterhead lock **4**. Rotate cutterhead, loosen four screws **34** and remove bar and knife. Insert new knife and replace bar and securely tighten four screws.

Fig. U



3. To adjust the knives, make sure the cutterhead lock **4** is not engaged. Make sure screws are not overly tightened. Loosen each one half turn or only enough so knife can slide between locking plate and cutterhead.
4. Rotate cutterhead and engage cutterhead lock **4** on cutterhead shaft as shown. This will position knives for proper adjustment to the outfeed table.
5. Place a straight edge **37** on the outfeed table extending out over the knife as shown. Using hex wrench supplied, turn screw **35** until knife just touches straight edge. Adjust knife at near end of cutterhead in the same manner turning screw **36**. Tighten four screws **34** after adjustment is made. **NOTE:** Make sure cutterhead lock **4** is disengaged after adjustment is completed and replace cutterhead guard.

Fig. V



6. If the knives are set too low, the result will be as shown in Fig. W, and the finished surface will be curved.
7. If the knives are set too high, the work will be gouged at the end of the cut, as shown in Fig. X.
8. As a final check, run a piece of work slowly over the knives for 6" to 8" (152 mm to 203 mm). The wood should rest firmly on both tables as shown in Fig. Y, with no open spaces under the finished cut.

Fig. W

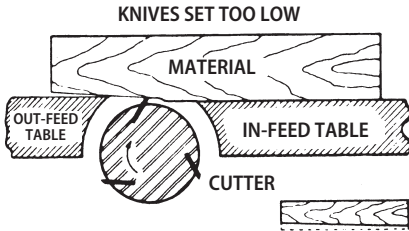


Fig. X

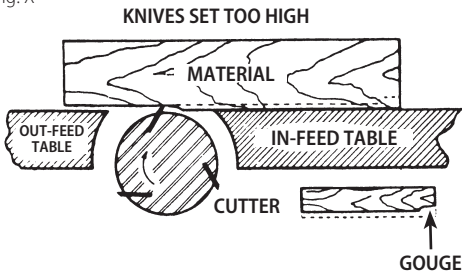
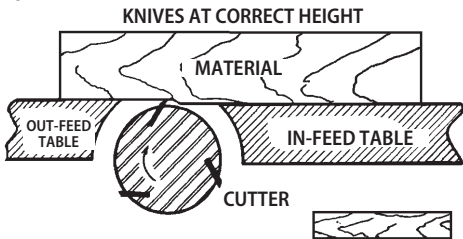


Fig. Y

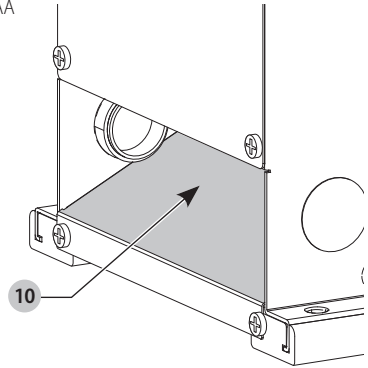


Chip and Dust Chute (Fig. AA)

! WARNING: Keep hands out of chip and dust chute at all times.

A chip and dust chute **10** is provided on the outfeed end of the jointer base for efficient chip removal.

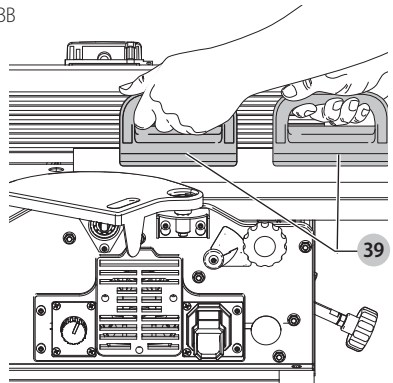
Fig. AA



Push Blocks (Fig. BB)

A set of push blocks **39** is supplied with your jointer and should be used whenever possible to minimize all danger to your hands. Fig. BB illustrates using the push blocks properly.

Fig. BB



MACHINE USE

! WARNING: To reduce the risk of serious personal injury, turn unit off and disconnect it from power source before making any adjustments or removing/installing attachments or accessories. An accidental start-up can cause injury.

! WARNING: Always use cutterhead guard and keep hands away from cutterhead. Use push blocks whenever possible.

The following directions will give the beginner a start on jointer operations. Use scrap pieces of lumber to check the settings and to get the feel of the operations before attempting regular work.

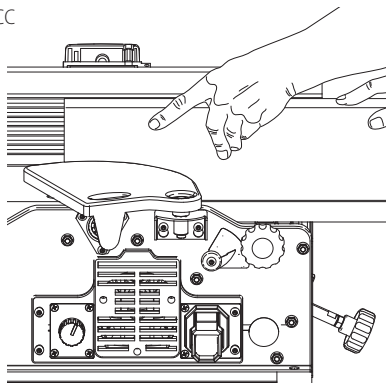
NOTE: The knives on the jointer will not wear evenly by feeding the wood through the same spot on the table every time. Feed the wood through the jointer at different spots on the table to help eliminate uneven wear of the knives.

Definition of Jointing, Planing

Jointing Operations (Fig. CC)

Jointing cuts or edge jointing are made to square an edge of a workpiece. The workpiece is positioned on the jointer with the narrow edge of the workpiece on the infeed table and the major flat surface of the workpiece against the fence. The workpiece is moved from the infeed table, across the cutterhead to the outfeed table.

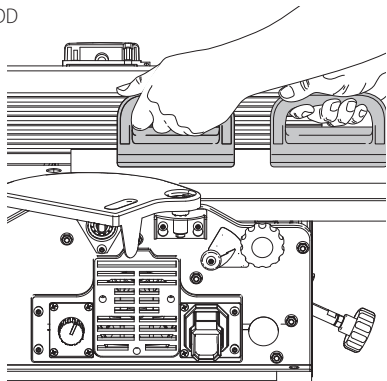
Fig. CC



Planing Operations (Fig. DD)

Planing or surfacing are identical to the jointing operation except for the position of the workpiece. For planing, the major flat surface of the workpiece is placed on the infeed table of the jointer with the narrow edge of the workpiece against the fence. The workpiece is moved from the infeed table, across the cutterhead to the outfeed table. Use push blocks when performing planing operations whenever possible.

Fig. DD



Placement of Hands During Feeding (Fig. BB)

(Fig. BB)

WARNING: Never pass hands directly over the cutterhead.

At the start of the cut, the left hand holds the work firmly against the infeed table and fence, while the right hand pushes the work toward the knives. After the cut is underway, the new surface rests firmly on the outfeed table as shown in Fig. BB. The left hand should then be moved to the work on the outfeed table, at the same time maintaining flat contact with the fence. The right hand presses the work forward, and before the right hand reaches the cutterhead it should be moved to the work on the outfeed table.

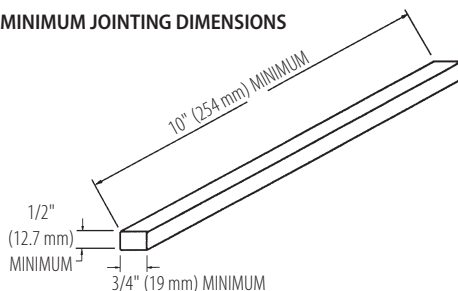
Jointing an Edge (Fig. CC, EE)

WARNING: Do not perform jointing operations on material shorter than 10" (254 mm), narrower than 3/4" (19 mm), or less than 1/2" (12.7 mm) thick.

This is the most common operation for the jointer. Set the guide fence square with the table. Depth of cut should be the minimum required to obtain a straight edge. Hold the best face of the piece firmly against the fence throughout the feed as shown in Fig. CC.

Fig. EE

MINIMUM JOINTING DIMENSIONS



Planing Warped Pieces

If the wood to be planed is dished or warped, take light cuts until the surface is flat. Avoid forcing such material down against the table; excessive pressure will spring it while passing the knives, and it will spring back and remain curved after the cut is completed.

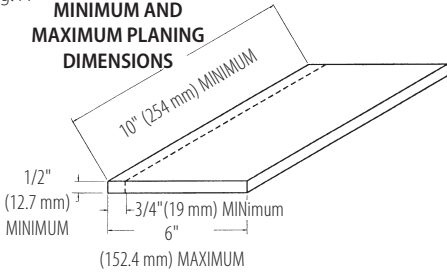
Planing Short or Thin Work (Fig. BB, FF)

WARNING: Do not perform jointing operations on material shorter than 10" (254 mm), narrower than 3/4" (19 mm), or less than 1/2" (12.7 mm).

When planing short or thin pieces, always use push blocks to minimize all danger to the hands. Fig. BB, illustrates using the push blocks **39** properly.

Fig. FF

MINIMUM AND MAXIMUM PLANING DIMENSIONS



Direction of Grain (GG, HH)

Avoid feeding work into the jointer against the grain. The result will be chipped and splintered edges. Feed with the grain to obtain a smooth surface.

Fig. GG

CORRECT FEED - WITH THE GRAIN

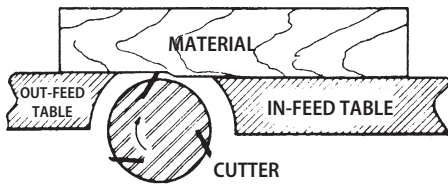
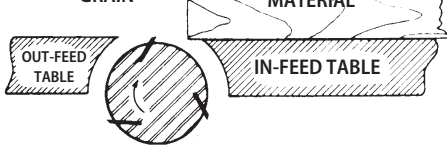


Fig. HH

WRONG FEED - AGAINST THE GRAIN



MAINTENANCE

⚠ WARNING: To reduce the risk of serious personal injury, turn unit off and disconnect it from power source before making any adjustments or removing/installing attachments or accessories. An accidental start-up can cause injury.

Belt Replacement (Fig. II, JJ)

When it becomes necessary to replace the belt on your jointer:

1. Remove screw **40** using hex wrench supplied, and remove belt guard **41**.
2. Loosen three screws **42** to release belt tension and remove belt **43** from pulleys.
3. Assemble new belt to the cutterhead and motor pulleys. Press down on motor pulley **44** to tension belt and tighten three screws.
NOTE: There should be approximately 1/4" (6.4 mm)

deflection in the belt **43** at the center span of the pulleys using light finger pressure. The belt does not require excessive tension to function properly.

4. Replace belt guard **41**.

Fig. II

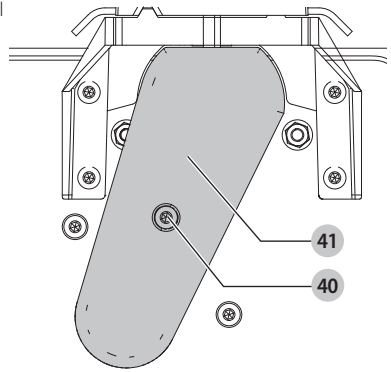
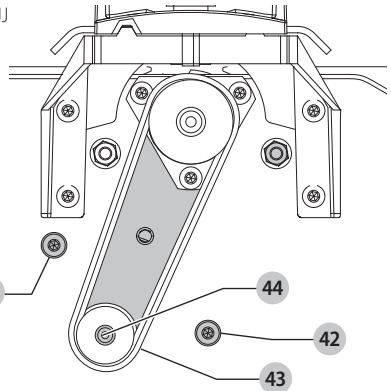


Fig. JJ



Failure to Start

Should your machine fail to start, check to make sure the prongs on the cord plug are making good contact in the outlet. Also, check for blown fuses or open circuit breakers in the line.

Troubleshooting

For assistance with your machine, visit our website at www.craftsman.com for a list of service centers or call the help line at **1-888-331-4569**.

Accessories

⚠ WARNING: Since accessories, other than those offered by CRAFTSMAN, have not been tested with this product, use of such accessories with this tool could be hazardous. To reduce the risk of injury, only CRAFTSMAN recommended accessories should be used with this product.

Recommended accessories for use with your tool are available at extra cost from your local dealer or authorized service center. If you need assistance in locating any accessory, please contact CRAFTSMAN, call **1-888-331-4569**.

Cleaning



WARNING: Blow dirt and dust out of all air vents with clean, dry air at least once a week. To minimize the risk of eye injury, always wear ANSI Z87.1 approved eye protection when performing this procedure.



WARNING: Never use solvents or other harsh chemicals for cleaning the non-metallic parts of the tool. These chemicals may weaken the plastic materials used in these parts. Use a cloth dampened only with water and mild soap. Never let any liquid get inside the tool; never immerse any part of the tool into a liquid.

Lubrication and Rust Protection

Apply household floor paste wax to the machine table, extension table or other work surface weekly. You can also use a commercially available protective product designed for this purpose. Follow the manufacturer's instructions for use and safety.

To clean cast iron tables of rust, you will need the following materials: a medium sized scouring pad, a can of spray lubricant and a can of degreaser. Apply the spray lubricant and polish the table surface with the scouring pad. Degrease the table, then apply the protective product as described above.

Repairs



WARNING: To assure product SAFETY and RELIABILITY, repairs, maintenance and adjustment (including power cord repairs, and brush inspection and replacement, when applicable) should be performed by a CRAFTSMAN factory service center or a CRAFTSMAN authorized service center. Always use identical replacement parts.

Register Online

Thank you for your purchase. Register your product now for:

- **WARRANTY SERVICE:** Registering your product will help you obtain more efficient warranty service in case there is a problem with your product.
- **CONFIRMATION OF OWNERSHIP:** In case of an insurance loss, such as fire, flood or theft, your registration of ownership will serve as your proof of purchase.
- **FOR YOUR SAFETY:** Registering your product will allow us to contact you in the unlikely event a safety notification is required under the Federal Consumer Safety Act.

Register online at www.craftsman.com/registration

Three Year Limited Warranty

CRAFTSMAN will repair or replace, without charge, any defects due to faulty materials or workmanship for three years from the date of purchase. This warranty does not cover part failure due to normal wear or tool abuse. For further detail of warranty coverage and warranty repair information, visit www.craftsman.com or call **1-888-331-4569**. This warranty does not apply to accessories or damage caused where repairs have been made or attempted by others. THIS LIMITED WARRANTY IS GIVEN IN LIEU OF ALL OTHERS, INCLUDING THE IMPLIED WARRANTY OF MERCHANTABILITY AND FITNESS FOR A PARTICULAR PURPOSE, AND EXCLUDES ALL INCIDENTAL OR CONSEQUENTIAL DAMAGES. Some states do not allow limitations on how long an implied warranty lasts or the exclusion or limitation of incidental or consequential damages, so these limitations may not apply to you. This warranty gives you specific legal rights and you may have other rights which vary in certain states or provinces.

90 DAY MONEY BACK GUARANTEE





If you are not completely satisfied with the performance of your CRAFTSMAN Power Tool or Nailer for any reason, you can return it within 90 days from the date of purchase with a receipt for a full refund – no questions asked.

LATIN AMERICA: This warranty does not apply to products sold in Latin America. For products sold in Latin America, see country specific warranty information contained in the packaging, call the local company or see website for warranty information.

FREE WARNING LABEL REPLACEMENT: If your warning labels become illegible or are missing, call **1-888-331-4569** for a free replacement.

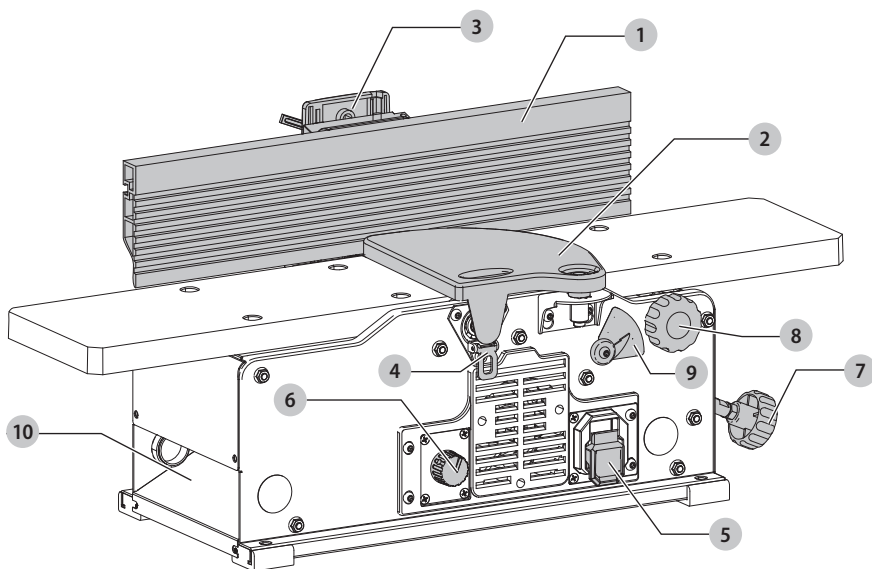
Définitions : symboles et termes d'alarmes sécurité

Ces guides d'utilisation utilisent les symboles et termes d'alarmes sécurité suivants pour vous prévenir de situations dangereuses et de risques de dommages corporels ou matériels.

-  **DANGER** : indique une situation dangereuse imminente qui, si elle n'est pas évitée, **entraînera la mort ou des blessures graves**.
-  **AVERTISSEMENT** : indique une situation potentiellement dangereuse qui, si elle n'est pas évitée, **pourrait entraîner la mort ou des blessures graves**.
-  **ATTENTION** : indique une situation potentiellement dangereuse qui, si elle n'est pas évitée, **pourrait entraîner des blessures légères ou modérées**.
-  (Si utilisé sans aucun terme) Indique un message propre à la sécurité.


AVIS : indique une pratique ne posant **aucun risque de dommages corporels** mais qui par contre, si rien n'est fait pour l'éviter, **pourrait poser des risques de dommages matériels**.

Fig. A



DESCRIPTION

- 1 Guide
- 2 Garde-protectrice de tête de coupe
- 3 Support de guide à glissière
- 4 Verrou de tête de coupe
- 5 Commutateur Marche/Arrêt
- 6 Commande de vitesse variable
- 7 Réglage de hauteur de la table
- 8 Bouton de verrouillage
- 9 Réglage de la profondeur
- 10 Chute à poussière

 **AVERTISSEMENT : lire tous les avertissements de sécurité et toutes les directives.** Le non-respect des avertissements et des directives pourrait se solder par un choc électrique, un incendie et/ou une blessure grave.

 **AVERTISSEMENT : ne jamais modifier l'outil électrique ni aucun de ses composants, car il y a des risques de dommages corporels ou matériels.**

 **AVERTISSEMENT : afin de réduire le risque de blessures, lire le mode d'emploi de l'outil.**

Pour toute question ou remarque au sujet de cet outil ou de tout autre outil CRAFTSMAN composez le numéro sans frais : 1-888-331-4569.

Banc de dégauchissage de 152 mm (6 po) à vitesse variable CMEW020

Consignes générales de sécurité

- MAINTENEZ LES PROTECTEURS EN PLACE** et en bon état de fonctionnement.
- RETIREZ LES CLÉS DE RÉGLAGE.** Prenez l'habitude de vérifier si les clés de réglage ont été retirées de l'outil avant de le mettre en marche.
- GARDEZ L'AIRE DE TRAVAIL PROPRE.** Les établis et les aires encombrés favorisent les blessures.
- NE PAS UTILISER DANS UN ENVIRONNEMENT DANGEREUX.** Ne pas utiliser les outils électriques dans des endroits humides ou mouillés, ou exposés à la pluie. Gardez l'aire de travail bien éclairée. Utilisez toujours l'outil dans un endroit bien ventilé sans matières combustibles ou vapeurs de solvants. Si des étincelles entrent en contact avec des vapeurs inflammables, elles peuvent s'enflammer, causant un incendie ou une explosion.
- GARDEZ LES ENFANTS LOIN.** Tous les visiteurs devraient être gardés à une distance sécuritaire de l'aire de travail.
- RENDEZ VOTRE ATELIER INACCESSIBLE AUX ENFANTS** à l'aide de cadenas, des principaux boutons ou en retirant la clé de démarrage.
- NE PAS FORCER L'OUTIL.** Il travaillera mieux et sera plus sécuritaire à la vitesse pour laquelle il a été conçu.
- UTILISEZ LE BON OUTIL.** Ne pas forcer l'outil ou un accessoire à faire un travail pour lequel il n'a pas été conçu.
- UTILISEZ UNE RALLONGE APPROPRIÉE.** Assurez-vous que votre rallonge est en bon état. Lorsque vous utilisez une rallonge, assurez-vous d'utiliser un calibre suffisamment lourd pour faire circuler le courant qui sera acheminé au produit. Un cordon de taille inférieure entraînera une chute de tension de secteur entraînant une surchauffe et une perte de puissance. Le calibre minimum du tableau des cordons amovibles affiche la bonne taille à utiliser selon la longueur de cordon et l'intensité nominale de la plaque signalétique. En cas de doute, utilisez le calibre le plus lourd suivant. Plus le numéro de calibre est bas, plus le cordon est lourd. Lorsque vous utilisez un outil électrique à l'extérieur, utilisez une rallonge extérieure indiquée « W-A » ou « W ». Ces rallonges sont conçues pour une utilisation extérieure et réduire le risque de choc électrique.
- PORTEZ DES VÊTEMENTS APPROPRIÉS.** Ne pas porter de vêtements lâches, des gants, cravate, bague, bracelet ou autres bijoux qui pourraient se prendre dans les pièces mobiles. Il est recommandé de porter des chaussures à semelles antidérapantes. Portez une protection pour vos cheveux afin de les retenir. Les événements couvrent souvent des pièces qui se déplacent et doivent aussi être évités.
- UTILISEZ TOUJOURS DES LUNETTES DE SÉCURITÉ.** De plus, utilisez un masque facial ou antipoussière si l'opération de coupe est poussiéreuse. Vos lunettes de tous les jours peuvent ont des lentilles résistant aux impacts, mais elles ne sont pas des lunettes de sécurité.
- SÉCURISEZ VOTRE TRAVAIL.** Lorsque c'est possible, utilisez des pinces ou un étau pour maintenir le travail. C'est plus sécuritaire que d'utiliser vos mains et cela libère vos deux mains pour faire fonctionner l'outil.
- NE PAS TROP S'ÉTIRER.** Maintenez vos pieds bien d'aplomb sur le sol et un bon équilibre en tout temps.
- ENTRETENEZ SOIGNEUSEMENT LES OUTILS.** Pour la meilleure et la plus sécuritaire performance, gardez les outils aiguisés et propres. Suivez les instructions pour lubrifier et changer les accessoires.
- DÉBRANCHEZ LES OUTILS** avant l'entretien, lorsque vous changez les accessoires comme les lames, les mèches, les gouges et les accessoires semblables.
- RÉDUISEZ LE RISQUE DE DÉMARRAGE NON INTENTIONNEL.** Assurez-vous que le bouton Marche/ Arrêt est à la position Arrêt avant de brancher.
- UTILISEZ LES ACCESSOIRES RECOMMANDÉS.** Pour les accessoires recommandés, consultez le guide d'utilisation. L'utilisation d'accessoires inappropriés peut causer un risque de blessures.
- NE JAMAIS SE TENIR DEBOUT SUR L'OUTIL.** Des blessures graves pourraient vous être infligées si la table bascule ou si vous venez en contact avec l'outil de coupe.
- VÉRIFIEZ LES PIÈCES ENDOMMAGÉES.** Avant l'utilisation ultérieure de l'outil, un protecteur ou une autre pièce qui est endommagé doit être soigneusement vérifié afin de déterminer s'il fonctionnera bien et s'il effectuera la fonction prévue. Vérifiez l'alignement des pièces en mouvement, le bris des pièces, le montage et tout autre état qui peut affecter son utilisation. Tout protecteur ou toute pièce endommagé devrait être adéquatement réparé ou remplacé.
- SENS D'ALIMENTATION.** Introduisez la pièce de travail dans la raboteuse selon les flèches du sens d'alimentation sur le dessus de l'outil.
- NE JAMAIS LAISSER L'OUTIL EN MARCHÉ SANS SUPERVISION. COUPEZ L'ALIMENTATION.** Ne pas quitter les lieux avant que l'outil ne soit complètement arrêté.

Règles de sécurité supplémentaires pour les dégauchisseuses



AVERTISSEMENT : Ne pas suivre ces directives peut entraîner des blessures graves.

- Ne pas faire fonctionner cet équipement avant qu'il ait été complètement assemblé et installé selon les instructions fournies.** Une machine mal assemblée peut causer des blessures graves.
- Si vous n'êtes pas complètement familier avec le fonctionnement de cette machine, obtenez l'avis de**

- votre superviseur, instructeur ou une autre personne qualifiée.** La connaissance est la sécurité
3. **Pour prévenir toute électrocution, lors du câblage, suivre le/les codes de l'électricité applicables et faire les raccordements recommandés.**
 4. **Garder les couteaux aiguisés et sans accumulation de saleté ou de rouille.** Les couteaux ébréchés ou rouillés sont moins efficaces et peuvent causer un recul intempestif.
 5. **Avant de démarrer la machine, s'assurer que les tables d'alimentation et de sortie sont bien verrouillées.** La perte de contrôle de la pièce de travail pourrait causer des blessures graves.
 6. **Avant de fermer le commutateur de marche, serrer les lames adéquatement dans la tête de coupe.** Les lames mal serrées pourraient être projetées à haute vitesse.
 7. **Ne jamais fermer le commutateur avant que la table soit dégagée de tout objet (outil, retailles de bois, etc.).** Les débris projetés peuvent causer de graves blessures.
 8. **Ne jamais démarrer la machine avec la pièce de travail en contact avec la tête de coupe.** Un recul intempestif pourrait se produire
 9. **Éviter les configurations insolites et le positionnement dangereux des mains.** Le glissement soudain d'une pièce pourrait causer un déplacement de votre main sur la tête de coupe.
 10. **Pour prévenir les accidents de graves répercussions, gardez vos bras, mains et doigts éloignés de la tête de coupe.**
 11. **Pour prévenir le recul intempestif, ne jamais faire de coupe plus profonde que 3,2 mm (1/8 po).**
 12. **Ne jamais joindre ou aplanir de pièce de travail de moins de 254 mm (10 po) de longueur et de 19 mm (3/4 po) de largeur ou de moins de 12,7 mm (1/2 po) d'épaisseur.** Le jointage de pièces plus petites peut placer votre main sur la tête de coupe, causant des blessures graves.
 13. **Pour joindre ou aplanir toute pièce de travail sous le guide, utilisez un bloc de poussée/maintien sur la table.** Le jointage ou le dégauchissement de petites pièces de travail peut résulter en un recul intempestif et des blessures graves.
 14. **Maintenez la pièce de travail fermement contre la table et le guide.** La perte de contrôle de la pièce de travail pourrait causer un recul intempestif et des blessures graves.
 15. **Ne jamais faire de travail à main levée. Se servir du guide pour positionner et diriger la pièce de travail.** La perte de contrôle de la pièce de travail pourrait causer des blessures graves.
 16. **Ne pas tenter d'effectuer une opération anormale ou peu utilisée sans étudier la façon de procéder et utiliser de montage, d'appareil, de butée ou de blocs de maintien/poussée adéquats.**
 17. **Ne pas alimenter de pièce de travail par le côté de la table de sortie de la machine.** La pièce de travail serait projetée de l'autre côté à grande vitesse.
 18. **Pour prévenir le recul intempestif, ne pas alimenter de pièce de travail qui est tordue, contient des nœuds ou a des objets étrangers incrustés (clous, broches, etc.).**
 19. **Maintenir la bonne relation des tables d'entrée et de sortie avec le chemin de lame de la tête de coupe.** La perte de contrôle de la pièce de travail pourrait causer des blessures graves.
 20. **Supporter de façon adéquate les pièces de travail de grande envergure de longueur ou de largeur.** La perte de contrôle de la pièce de travail pourrait causer des blessures.
 21. **Ne jamais effectuer de travail de configuration, d'assemblage ou de positionnement de pièces sur la table ou dans l'aire de travail lorsque la machine est en marche. Le glissement soudain d'une pièce pourrait causer un déplacement de votre main sur la tête de coupe.** Des blessures graves pourraient être causées.
 22. **Pour prévenir les blessures, ne retirer les copeaux de bois seulement après avoir ouvert le commutateur de marche et que la tête de coupe soit arrêtée.**
 23. **Ouvrir le commutateur de marche, débrancher la machine de sa prise de courant et nettoyer la table et l'aire de travail avant de quitter la pièce. Pour prévenir l'utilisation non autorisée, cadenasser le commutateur de marche en position « OFF ».** D'autres personnes inexpérimentées pourraient tenter d'utiliser la machine et se blesser.
 24. **De l'information supplémentaire concernant la manipulation adéquate et sécuritaire d'outils motorisés (par ex. une vidéo de sécurité) est offerte par The Power Tool Institute, 1300 Sumner Avenue, Cleveland, OH 44115-2851 (www.Powertoolinstitute.com). De l'information est également disponible au National Safety Council, 1121 Spring Lake Drive, Itasca, IL 60143-3201. Veuillez vous référer à l'American National Standards Institute ANSI O1.1 Safety Requirements for Woodworking Machines et au règlement OSHA 1910.213 du U.S. Department of Labor.**
 25. **Maintenez le protecteur de la tête de coupe en place et en bon état de fonctionnement.**

Consigne de sécurité supplémentaire



AVERTISSEMENT : porter **SYSTEMATIQUEMENT** des lunettes de protection. Les lunettes courantes NE sont PAS des lunettes de protection. Utiliser aussi un masque antipoussières si l'opération est poussiéreuse. **PORTER SYSTÉMATIQUEMENT UN ÉQUIPEMENT DE SÉCURITÉ HOMOLOGUÉ :**

- Protection oculaire ANSI Z87.1 (CAN/CSA Z94.3) ;
- Protection auditive ANSI S12.6 (S3.19) ;
- Protection des voies respiratoires NIOSH/ OSHA/ MSHA.



AVERTISSEMENT : les scies, meules, perceuses, perceuses ou autres outils de construction peuvent produire des poussières contenant des produits chimiques reconnus par l'État californien pour causer cancers, malformations congénitales ou être nocifs au système reproducteur. Parmi ces produits chimiques, on retrouve :

- Le plomb dans les peintures à base de plomb ;
- La silice cristallisée dans les briques et le ciment, ou autres produits de maçonnerie ; et
- L'arsenic et le chrome dans le bois ayant subi un traitement chimique.

Le risque associé à de telles expositions varie selon la fréquence à laquelle on effectue ces travaux.

Pour réduire toute exposition à ces produits : travailler dans un endroit bien aéré, en utilisant du matériel de sécurité homologué, tel un masque antipoussières spécialement conçu pour filtrer les particules microscopiques.

- **Limiter toute exposition prolongée avec les poussières provenant du ponçage, sciage, meulage, perçage ou toute autre activité de construction. Porter des vêtements de protection et nettoyer à l'eau savonneuse les parties du corps exposés.** Le fait de laisser la poussière pénétrer dans la bouche, les yeux ou la peau peut favoriser l'absorption de produits chimiques dangereux.



AVERTISSEMENT : cet outil peut produire et/ou répandre de la poussière susceptible de causer des dommages sérieux et permanents au système respiratoire. Utiliser systématiquement un appareil de protection des voies respiratoires homologué par le NIOSH ou l'OSHA. Diriger les particules dans le sens opposé au visage et au corps.



AVERTISSEMENT : pendant l'utilisation, porter systématiquement une protection auditive individuelle adéquate homologuée ANSI S12.6 (S3.19). Sous certaines conditions et suivant la durée d'utilisation, le bruit émanant de ce produit pourrait contribuer à une perte de l'acuité auditive.

- **Prendre des précautions à proximité des événements, car ils cachent des pièces mobiles.** Vêtements amples, bijoux ou cheveux longs risquent de rester coincés dans ces pièces mobiles.
- **Pour la sécurité de l'utilisateur, utiliser une rallonge de calibre adéquat (AWG, American Wire Gauge [calibrage américain normalisé des fils électriques]).** Plus le calibre est petit, et plus sa capacité est grande. Un calibre 16, par exemple, a une capacité supérieure à un calibre 18. L'usage d'une rallonge de calibre insuffisant causera une chute de tension qui entraînera perte de puissance et surchauffe. Si plus d'une rallonge est utilisée pour obtenir une certaine longueur, s'assurer que chaque rallonge présente au moins le calibre de fil minimum. Le tableau ci-dessous illustre les calibres à utiliser selon la longueur de rallonge et l'intensité nominale indiquée sur la plaque signalétique. En cas de doute, utiliser le calibre

suivant. Plus le calibre est petit, plus la rallonge peut supporter de courant.

Calibre minimum pour les cordons d'alimentation

Volts	Longueur totale du cordon d'alimentation en mètre (pieds)				
	7,6 (25)	15,2 (50)	30,5 (100)	45,7 (150)	
120 V	7,6 (25)	15,2 (50)	30,5 (100)	45,7 (150)	
240 V	15,2 (50)	30,5 (100)	61,0 (200)	91,4 (300)	
Ampères		AWG			
Plus que	Pas plus que				
0	6	18	16	16	14
6	10	18	16	14	12
10	12	16	16	14	12
					Non recommandé

Raccordements électriques

Un circuit électrique séparé doit être utilisé pour vos machines. Ce circuit doit être inférieur à un fil n° 12 et doit être protégé avec un fusible temporisé 20 A.

REMARQUE : les fusibles temporisés devraient avoir l'inscription « D » au Canada et « T » aux É.-U. Si on utilise un cordon prolongateur, ce cordon doit être à trois fils, avoir une fiche à trois broches et une prise de courant à trois cavités, mise à la terre qui correspond à la fiche de la machine. Avant debrancher la machine, s'assurer que l'interrupteur (les interrupteurs) se trouve(nt) en position « OFF » (ARRÊT) et que le courant électrique présente les mêmes caractéristiques que celles qui sont inscrites sur la machine. Toutes les connexions électriques doivent établir un bon contact. Le fonctionnement sur une basse tension endommagera la machine.



DANGER : ne pas exposer la machine à la pluie, et ne pas l'utiliser dans des endroits humides.

Spécifications du moteur

Cette machine est câblée pour un fonctionnement sur un courant alternatif de 120 Volts 60 Hz. Avant de brancher la machine, s'assurer que l'interrupteur se trouve à la position « OFF » (ARRÊT).

Instructions de mise à la terre (Fig B, C)



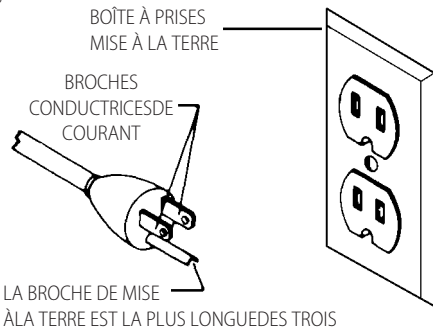
DANGER : cette machine doit être mise à la terre pendant son emploi, afin de protéger l'utilisateur des décharges électriques.

1. Toutes les machines avec cordon mis à la terre :

- Dans l'éventualité d'un mauvais fonctionnement ou d'une panne, la mise à la terre fournit un trajet de moindre résistance permettant de réduire le risque de décharge électrique. Cette machine est dotée d'un cordon électrique possédant un conducteur de mise à la terre de l'équipement ainsi que d'une fiche mise à la terre. La fiche doit être branchée dans une prise de courant correspondante, installée de façon adéquate et mise à la terre conformément à tous les codes et règlements locaux.
- Ne pas modifier la fiche fournie - si elle ne s'adapte pas à la prise de courant, il faut faire installer une prise de courant convenable par un électricien compétent.

- Un mauvais raccordement du conducteur de mise à la terre de l'équipement peut entraîner un risque de décharge électrique. Le conducteur possédant un isolant avec surface extérieure de couleur verte, avec ou sans rayures jaunes, est le conducteur de mise à la terre de l'équipement. Si une réparation ou un remplacement du cordon électrique s'avère nécessaire, ne pas brancher le conducteur de mise à la terre de l'équipement à une borne sous tension.
- Consulter un électricien compétent ou le personnel de service après-vente si on ne comprend pas entièrement les instructions de mise à la terre, ou si l'on doute que la machine soit correctement mise à la terre.
- Utiliser seulement des cordons prolongateurs à trois fils dotés d'une fiche mise à la terre, à trois broches, et de prises à trois cavités convenant à la fiche de la machine, comme l'illustre la Figure B.
- Réparer ou remplacer sans délai tout cordon endommagé ou usé.

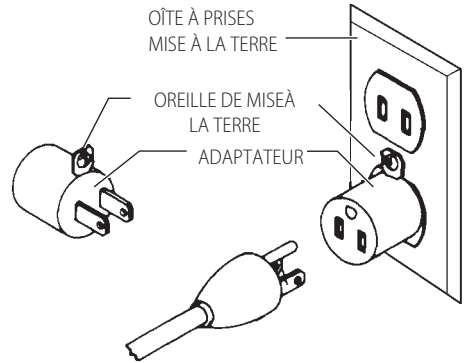
Fig. B



2. Machines avec cordon mis à la terre prévues pour une utilisation sur une alimentation nominale inférieure à 150 Volts:

- Si cette machine est prévue pour être utilisée sur un circuit qui comporte une prise semblable à celle illustrée à la Figure B, la machine devra comporter une fiche mise à la terre semblable à celle illustrée à la Figure B. Un adaptateur temporaire semblable à celui illustré à la Figure C, peut être utilisé pour raccorder cette fiche à une prise à deux cavités comme celle illustrée à la Figure C, si une prise correctement mise à la terre n'est pas disponible. L'adaptateur temporaire ne doit être utilisé que jusqu'au moment où une prise correctement mise à la terre est installée par un électricien compétent. L'oreiller rigide ou autre dispositif semblable de couleur verte, sur le dessus de l'adaptateur, doit être connecté sur une mise à la terre permanente comme, par exemple une boîte à prises correctement mise à la terre. Quand un adaptateur est utilisé, celui-ci doit être retenu en place par une vis en métal.

Fig. C



REMARQUE: au Canada, le Code canadien de l'électricité ne permet pas l'emploi d'un adaptateur temporaire.

⚠ DANGER : dans tous les cas, s'assurer que la prise en question est bien mise à la terre. Dans le doute, demander à un électricien compétent de vérifier la prise.

CONSERVER CES CONSIGNES POUR UTILISATION ULTÉRIEURE

DESCRIPTION (FIG. A)

Moteur

S'assurer que le bloc d'alimentation est compatible avec l'inscription de la plaque signalétique. Une diminution de tension de plus de 10 % provoquera une perte de puissance et une surchauffe. Les outils sont testés en usine ; si cet outil ne fonctionne pas, vérifier l'alimentation électrique.

Usage prévu

La CMEW020 est une dégauchisseuse d'établi à vitesse variable 152 mm (6 po) destinée à l'assemblage et le rabotage du bois ayant une capacité de coupe conçue d'une largeur de 152 mm (6 po) et d'une profondeur de 3 mm (1/8 po). L'appareil comporte un moteur de 120 Volts, 10 A, une plage de vitesses variables de 6000–11000 tr/min produisant 12000–22000 courses/min, une goulotte à poussière, un guide monté au centre, un porte-outils à deux lames, un dispositif de protection et de verrouillage des lames, des clés et des blocs-poussoirs.

NE PAS les utiliser en milieu ambiant humide ou en présence de liquides ou de gaz inflammables.

NE PAS le laisser à la portée des enfants. Une supervision est nécessaire auprès de tout utilisateur non expérimenté.

ASSEMBLAGE ET AJUSTEMENTS

⚠ AVERTISSEMENT : afin de réduire le risque de blessure corporelle, éteignez l'appareil et débranchez-le la source d'alimentation avant d'effectuer tout ajustement ou de retirer/installer des pièces ou des accessoires. Un déclenchement accidentel du démarrage peut causer des blessures.

Désemballage et nettoyage

Désemballer soigneusement la machine et toutes les pièces de ou des emballage(s) d'expédition. Retirer l'huile anticorrosion des surfaces non peintes à l'aide d'un chiffon doux humidifié avec de l'alcool, du diluant à peinture ou de l'alcool dénaturé.

AVIS : n'utiliser pas de solvants hautement volatils tel l'essence, le naphte, l'acétone ou du diluant à laque pour nettoyer.

Après nettoyage, couvrir les surfaces non peintes d'une cire à parquets d'usage domestique de bonne qualité.

Outils nécessaires pour l'assemblage

Deux clés hexagonales (fournies)

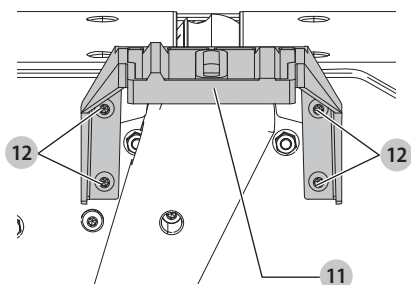
Durée estimée pour l'assemblage

L'Assemblée pour cette machine prend une heures.

Guide (Fig. D–J)

1. Fixer le support de fixation du guide **11** à la base de la dégauchisseuse à l'aide des quatre vis à tête ronde M6 x 1 mm x 16 mm **12**.

Fig. D



2. Fixer le support coulissant du guide **3** au support de fixation du guide **11** à l'aide de la poignée de blocage **19**, de la rondelle plate M8 **13** et de l'écrou spécial **14**.

Fig. E

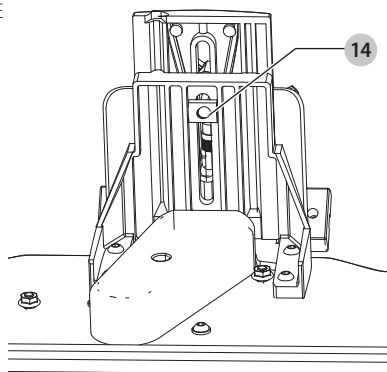
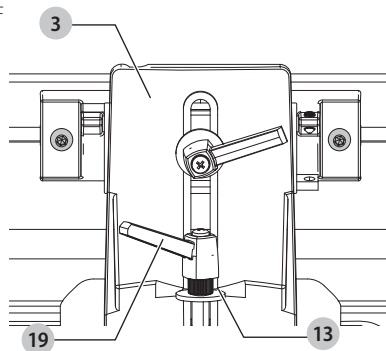
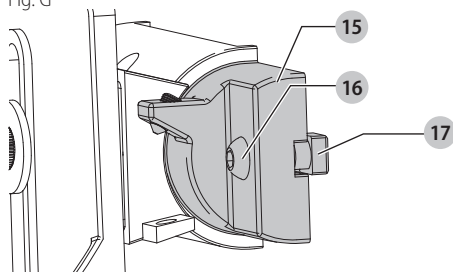


Fig. F



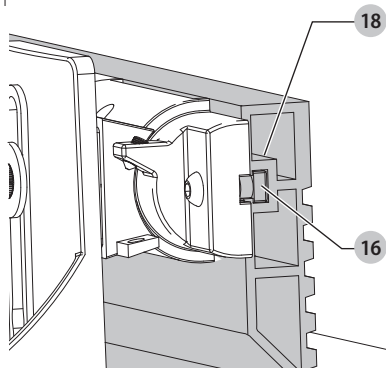
3. Insérer une vis à tête ronde M6 x 1 mm x 16 mm **16** dans le support d'inclinaison du guide **15** et visser un écrou carré M6 x 1 mm **17** à l'extrémité fileté de la vis **16**. NE PAS SERRER COMPLÈTEMENT LA VIS. Assembler la vis et l'écrou carré de la même manière sur le côté opposé du support d'inclinaison du guide.

Fig. G

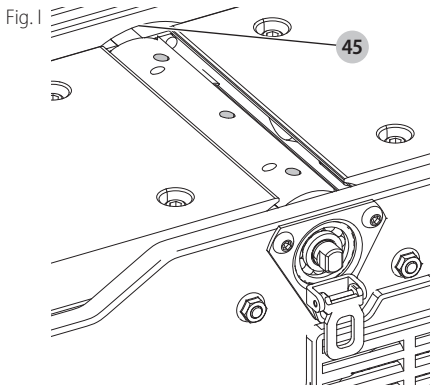


4. Glisser la rainure du guide **18** sur les écrous carrés **17**.

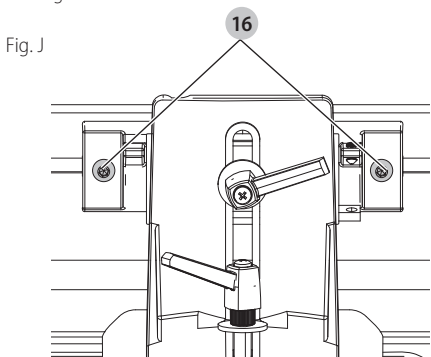
Fig. H



5. Positionner le guide **1** de sorte que la section arrondie **45** au bas du guide se retrouve au-dessus de l'ouverture du porte-lames.



6. Serrer les deux vis **16** à l'aide de la clé hexagonale fournie.



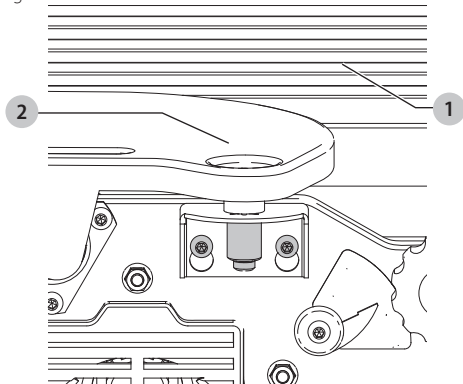
Protecteur de la tête de coupe (Fig. K1)

AVERTISSEMENT : Gardez vos mains hors de portée de la tête de coupe durant l'utilisation.

AVERTISSEMENT : Ne retirez pas le protecteur de la tête de coupe, assurez-vous que le protecteur de la tête de coupe revient librement et touche le guide.

Le protecteur de la tête de coupe **2** est conçu pour s'appuyer sur le guide **1**. Il se déplacera automatiquement au fur et à mesure que la pièce de travail avance vers la tête de coupe revient contre le guide après que la pièce de travail passe la tête de coupe. Avec la dégauchisseuse éteinte, vérifiez la position et le mouvement appropriés avant chaque utilisation. Utilisez toujours le protecteur de la tête de coupe.

Fig. K1

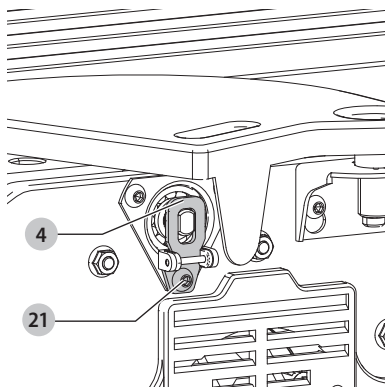


Dispositif de verrouillage du porte-lames (Fig. K2)

Assembler le dispositif de verrouillage du porte-lames **4** sur le devant de la base de la dégauchisseuse à l'aide de la vis à tête ronde M6x1x12 mm **21**.

REMARQUE : Le dispositif de verrouillage du porte-lames ne doit être enclenché sur l'arbre du porte-lames que lors du réglage des lames. Autrement, le dispositif de verrouillage du porte-lames ne doit pas se trouver sur l'arbre.

Fig. K2



Fixation de la dégauchisseuse sur une surface de support (Fig. M)

Si, en cours de fonctionnement, la dégauchisseuse a tendance à basculer, à glisser ou à « se déplacer » sur la surface de support, la fixer à celle-ci par l'intermédiaire des quatre trous (dont deux sont illustrés en **22** Fig. M) percés à cet effet.

Adaptateur du tuyau du collecteur de poussière (Fig. L, M)

Un adaptateur du tuyau du collecteur de poussière **23** est fourni avec la dégauchisseuse pour aider à la connecter à un tuyau d'aspiration standard 2 po (51 mm). Pour assembler l'adaptateur :

1. Retirer les deux vis **25**. Desserrer les vis **26**.
2. Glisser les fentes de l'adaptateur **24** sous les vis desserrées **26**.
3. Serrer les vis **26** une fois l'adaptateur **23** bien placé.
4. Remettre les vis **25** et les serrer.

AVIS : ne pas installer une sortie de poussier si aucun collecteur de poussière ne sera utilisé.

Fig. L

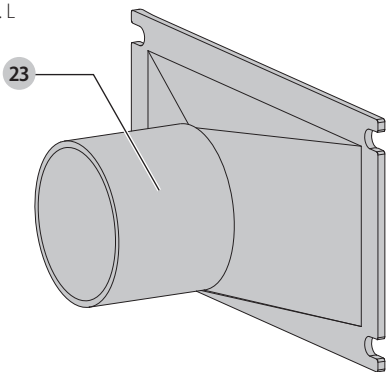
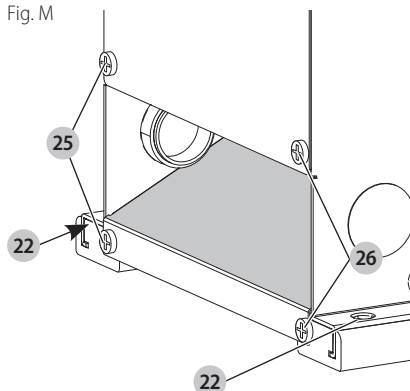


Fig. M



FONCTIONNEMENT



AVERTISSEMENT : afin de réduire le risque de blessure corporelle, éteignez l'appareil et débranchez-le la source d'alimentation avant d'effectuer tout ajustement ou de retirer/installer des pièces ou des accessoires. Un déclenchement accidentel du démarrage peut causer des blessures.

Arrêter et démarrer la dégauchisseuse (Fig. A, N)



AVERTISSEMENT : assurez-vous que le commutateur est poussé en position « OFF » pour éteindre l'outil avant de brancher le cordon d'alimentation. En cas de panne de courant, appuyez sur le commutateur en position « OFF ». Un démarrage accidentel peut causer des blessures.

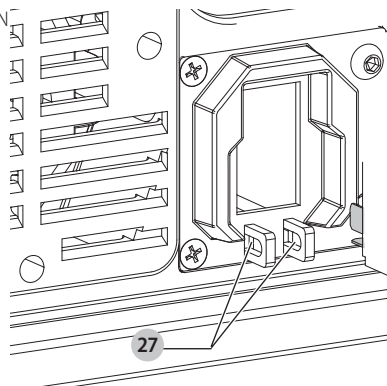
VERROUILLAGE DU COMMUTATEUR EN POSITION D'ARRÊT

REMARQUE : Lorsque la machine n'est pas utilisée, le commutateur doit être verrouillé en position base afin de prévenir une utilisation non autorisée. Deux trous **27** sont prévus en bas du boîtier de commutateur (Fig. N) pour verrouiller l'outil avec un cadenas.

Pour allumer la raboteuse :

1. Soulevez le commutateur **5** (Fig. A). Le robot se verrouille automatiquement.
2. Pour éteindre l'outil, appuyez sur le commutateur.

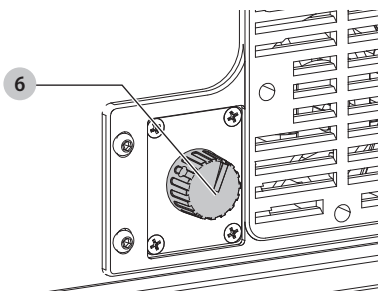
Fig. N



Commande de la vitesse variable (Fig. O)

La dégauchisseuse est livrée avec une commande de vitesse variable **6** qui vous permet d'utiliser l'appareil à des régimes entre 6000 et 11000 tr/min. Les indicateurs de vitesse 1, 2, 3, 4 et 5 sont prévus sur le cadran de vitesses.

Fig. O



Vitesse	tr/min
1	6000
2	7250
3	8800
4	9750
5	11000

Tableau de sélection des vitesses

Utiliser le tableau de sélection des vitesses pour déterminer le réglage qui convient à la pièce.

REMARQUE : copier ce tableau pratique et le coller sur ou près de l'appareil.

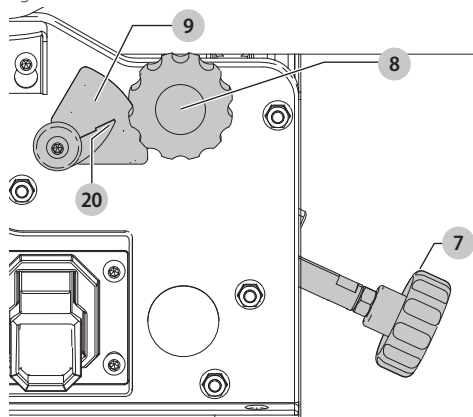
LE TABLEAU SÉLECTION DES VITESSESS				L'ARRANGEMENT DE LA COMMANDE		
LARGEUR DE COUPE				PLASTIQUES	BOIS TEDRES	BOIS DURS
DE		À				
po.	mm	po.	mm			
0	0	1-1/2	38,1	1	1	1
1-1/2	38,1	2-1/2	65,5	2	2	3
2-1/2	63,5	3-1/4	82,5	3	3	4
3-1/4	82,5	4	101,6	-	4	5
4	101,6	6	152,4	-	5	5

Réglage de profondeur de coupe (Fig. P)

La dégauchisseuse peut être réglée d'un mince retrait de matériel jusqu'à une profondeur de 3,2 mm (1/8 po). Une échelle de mesures métriques et impériales **9** avec indicateur **20** indiquent la profondeur de coupe. Pour ajuster la profondeur de coupe, desserrer le bouton de verrouillage **8** et tourner le bouton de réglage de hauteur de la table **7** en sens horaire pour abaisser la table d'alimentation et en sens antihoraire pour l'élever. Élever la table d'alimentation réduira la profondeur de coupe et l'abaisser augmentera la épaisseur retirée de la pièce. Après avoir réglé la table à la hauteur désirée, resserrer le bouton de verrouillage.

REMARQUE : Pour de meilleurs résultats, le positionnement final de la table d'alimentation devrait toujours être fait à partir du bas vers le haut.

Fig. P

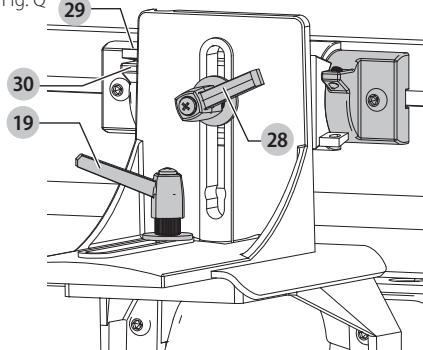


Réglages du guide (Fig. Q-T)

Le guide peut être déplacé sur la largeur de la table et être incliné jusqu'à 45° en suivant les directives ci-dessous :

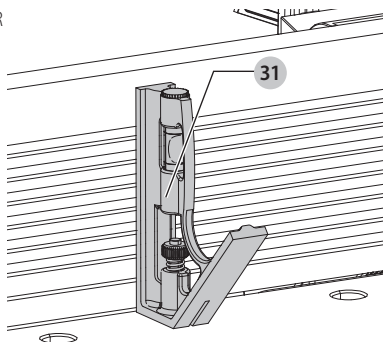
- Pour déplacer le guide sur la largeur de la table, desserrer le levier de blocage **19** glisser le guide à la position souhaitée, puis serrer le levier.
REMARQUE : le levier de blocage est à ressort et se déplace en tirant sur le levier et en le repositionnant sur l'écrin situé sous le levier.
- Pour incliner le guide, desserrer le levier **28** et incliner le guide jusqu'à l'angle souhaité. Serrer ensuite le levier.
REMARQUE : le levier de blocage est à ressort et se déplace en tirant sur le levier et en le repositionnant sur l'écrin situé sous le levier.

Fig. Q



- Le guide comporte des butées positives réglables aux positions les plus demandées de 45° et 90° à droite. Pour vérifier et ajuster les butées positives, procéder comme suit :
 - Placer une équerre **31** sur la table, avec l'une de ses extrémités reposant contre le guide, comme illustré. Régler le guide jusqu'à ce qu'il soit exactement perpendiculaire à la table.

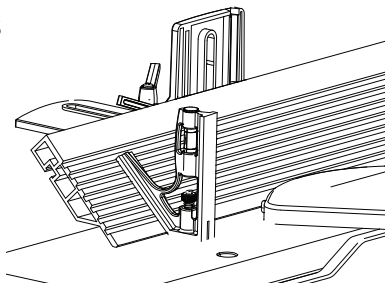
Fig. R



- À l'aide de la clé hexagonale fournie, tourner la vis de calage **29** jusqu'à ce qu'elle touche la butée **30**.

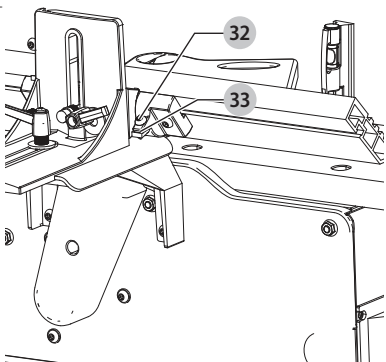
- c. À l'aide d'une équerre **31** incliner la table à 45° et s'assurer que le guide est à 45° par rapport à la table. Ajuster le guide le cas échéant.

Fig. S



- d. À l'aide de la clé hexagonale fournie, tourner la vis de calage **32** jusqu'à ce qu'elle touche la butée **33**.

Fig. T



- e. Les butées positives vous permettent de positionner rapidement la table à 45° et 90° par rapport à la table.



ATTENTION : s'assurer que le guide est à niveau au point de contact de la surface avec la table arrière.

Réglage ou remplacement des lames (Fig. U–Y)



AVERTISSEMENT : les lames sont aiguisées.



AVERTISSEMENT : débrancher l'appareil de la source d'alimentation.



AVERTISSEMENT : être très prudent et éviter de toucher les lames.

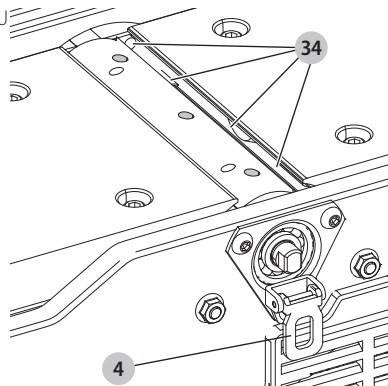


AVERTISSEMENT : s'assurer que toutes les lames sont solidement fixées dans le porte-lames avant de démarrer l'appareil.

Lorsqu'il s'avère nécessaire de remplacer ou d'ajuster les lames suite à un remplacement ou à une usure, procéder comme suit :

1. Déposer le protecteur de porte-lames.
2. Pour le remplacement d'une lame, déclencher le dispositif de verrouillage du porte-lames **4**. Tourner le porte-lames, desserrer les quatre vis **34** et retirer la barre et la lame. Insérer une nouvelle lame et replacer la barre, puis serrer légèrement les quatre vis.

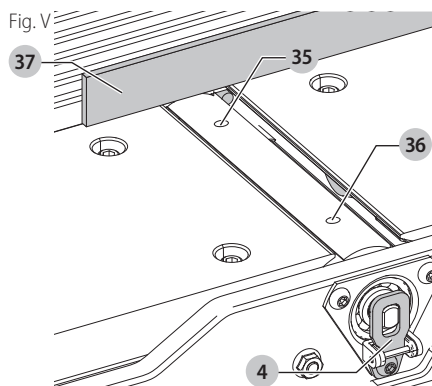
Fig. U



3. Pour régler les lames, s'assurer que le dispositif de verrouillage du porte-lames **4** n'est pas enclenché. S'assurer que les vis ne sont pas trop serrées. Dévisser chacune d'elle d'un demi tour, ou suffisamment pour qu'une lame glisse entre la plaque de blocage et le porte-lames.
4. Tourner le porte-lames et enclencher le dispositif de verrouillage du porte-lames **4** sur l'arbre du porte-lames, comme illustré. Ceci permettra de positionner les lames pour un ajustement correct à la table arrière.
5. Déposer une règle droite **37** sur la table arrière et au-dessus d'une lame. À l'aide de la clé fournie, tourner la vis **35** jusqu'à ce que la lame touche la règle droite. Régler l'autre extrémité de la lame de la même manière en tournant la vis **36**. Serrer les quatre vis **34** une fois le réglage terminé.

REMARQUE : s'assurer que le dispositif de verrouillage du porte-lames **4** est abaissé et que le protecteur des lames est réinstallé une fois le réglage terminé.

Fig. V



6. Si les lames sont trop basses, le résultat sera tel que cela est illustré à la Fig. W, et la surface finie sera courbée.
7. Si les lames sont trop hautes, la coupe sera trop profonde à l'extrémité de la pièce, comme illustré à la Fig. X.
8. Pour une dernière vérification, faire passer lentement une pièce sur les lames sur une distance de 152 mm à

203 mm (6 à 8 po). Le bois repose fermement sur les deux tables, comme illustré à la Fig. Y, sans espaces sous la coupe finie.

Fig. W

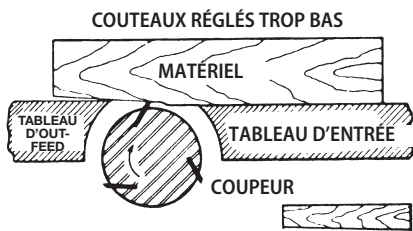


Fig. X

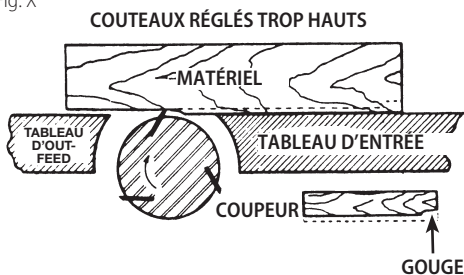
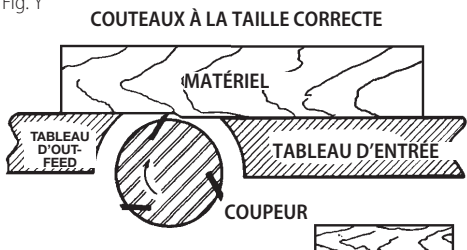


Fig. Y

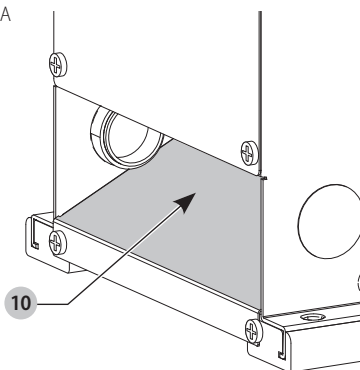


Goulotte à copeaux et à sciure (Fig. AA)

AVERTISSEMENT : en toutes circonstances, garder les mains à distance de la goulotte à copeaux et à sciure

Une goulotte à copeaux et à sciure **10** est prévue à l'extrémité arrière de la base de la dégauchisseuse pour l'évacuation efficace des copeaux.

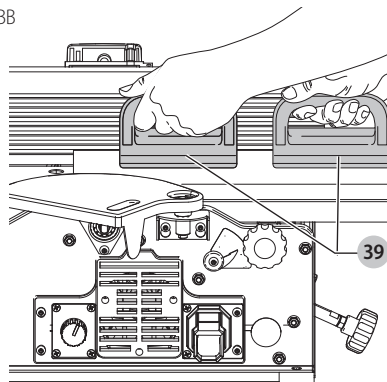
Fig. AA



Blocs-poussoirs (Fig. BB)

Un jeu de blocs-poussoirs **39** est livré avec la dégauchisseuse et devrait être utilisé autant que possible pour minimiser tous risques de blessures aux mains. La Fig. BB illustre l'utilisation correcte des blocs-poussoirs.

Fig. BB



USAGES DE LA MACHINE

AVERTISSEMENT : afin de réduire le risque de blessure corporelle, éteignez l'appareil et débranchez-le source d'alimentation avant d'effectuer tout ajustement ou de retirer/ installer des pièces ou des accessoires. Un déclenchement accidentel du démarrage peut causer des blessures.

AVERTISSEMENT : utilisez toujours le protecteur de la tête de coupe et gardez vos mains hors de portée de la tête de coupe. Utilisez des blocs-poussoirs lorsque c'est possible.

Les directives suivantes donneront au débutant un aperçu du fonctionnement de la dégauchisseuse. Utiliser des chutes de bois pour vérifier les réglages et se faire la main sur l'appareil avant de se lancer sur de vrais projets.

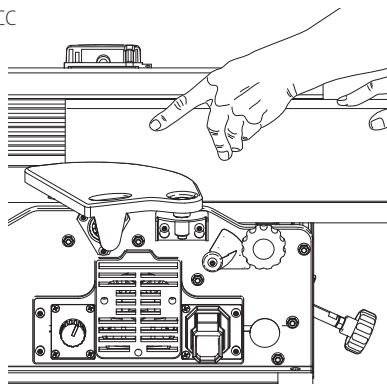
REMARQUE : les lames de la dégauchisseuse ne s'usent pas uniformément si l'alimentation en bois s'effectue toujours au même endroit sur la table. Alimenter le bois à différents endroits de la table pour éliminer une usure inégale des lames.

Définition de jointage, dégauchissage

Opérations de jointage (Fig. CC)

Dégauchir ou dresser un chant s'utilise pour équarrir la bordure d'une pièce. La partie étroite de la pièce repose sur la table avant, et la plus grande partie plane s'appuie contre le guide. La pièce avance de la table avant, au-dessus du porte-lames et sur la table arrière.

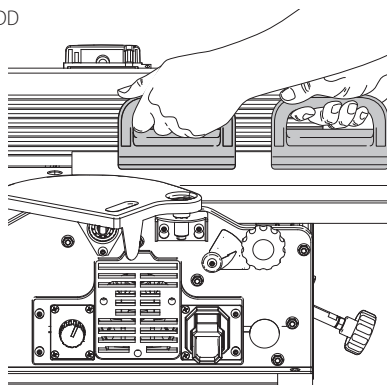
Fig. CC



Opérations de dégauchissage (Fig. DD)

Le rabotage et le surfacage sont identiques au dressage sauf pour la position de la pièce. Pour le rabotage, la plus grande surface de la pièce repose sur la table avant de la dégauchisseuse, la partie étroite reposant contre le guide. La pièce avance de la table avant, au-dessus du porte-lames et sur la table arrière. Utiliser les blocs-poussoirs autant que possible pendant un rabotage.

Fig. DD



Placement des mains durant l'alimentation (Fig. BB)

AVERTISSEMENT : ne jamais placer les mains directement au-dessus de la tête de coupe.

Au début de la coupe, la main gauche tient fermement la pièce contre la table avant et le guide, alors que la main droite pousse la pièce en direction des lames. En cours de coupe, la nouvelle surface repose fermement contre la table arrière, comme illustré à la Fig. BB. On doit alors déplacer la main gauche sur la partie de la pièce qui repose sur la table arrière, tout en maintenant un contact à plat contre le guide. La main droite continue de pousser la pièce. Une fois que cette dernière atteint le porte-lame, la déplacer sur la section de la table arrière.

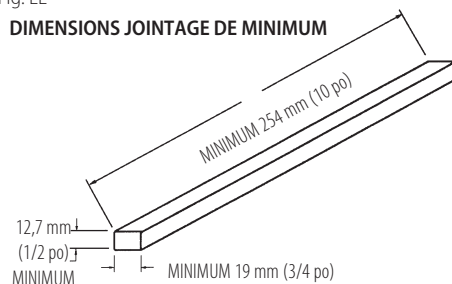
Jointage de bords (Fig. CC, EE)

AVERTISSEMENT : ne pas faire de jointage sur une pièce de moins de 254 mm (10 po) de longueur et de 19 mm (3/4 po) de largeur ou de moins de 12,7 mm (1/2 po) d'épaisseur.

Cette opération est la plus courante sur une dégauchisseuse. Régler d'équerre le guide par rapport à la table. La profondeur de coupe devrait être la plus mince possible pour obtenir un chant rectiligne. Appuyer la meilleure face de la pièce fermement contre le guide au cours de l'avance, comme illustré à la Fig. CC.

Fig. EE

DIMENSIONS JOINTAGE DE MINIMUM



Dégauchissage de pièces tordues

Si le bois à dégauchir est concave ou voilé, dégrossir jusqu'à l'obtention d'une surface plane. Éviter de presser la pièce contre la table, car une pression excessive la déformera lors du passage sur les lames. Elle reviendra à sa forme primitive et demeurera courbée une fois la coupe effectuée.

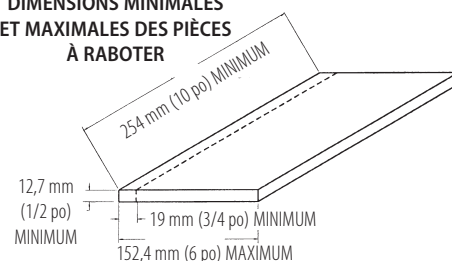
Dégauchissage de pièces courtes ou étroites (Fig. BB, FF)

AVERTISSEMENT : Ne pas faire de jointage sur une pièce de moins de 254 mm (10 po) de longueur et de 19 mm (3/4 po) de largeur ou de moins de 12,7 mm (1/2 po) d'épaisseur.

Lors du rabotage de pièces courtes ou minces, toujours utiliser les blocs-poussoirs pour réduire le risque de blessures aux mains. La Fig. BB illustre l'utilisation correcte des blocs-poussoirs 39.

Fig. FF

DIMENSIONS MINIMALES ET MAXIMALES DES PIÈCES À RABOTER



Direction du grain (GG, HH)

Éviter d'acheminer la pièce à contre-fil sur la dégauchisseuse. On obtiendra alors des chants ébréchés et éclatés. Alimenter dans le sens du fil, pour obtenir une surface lisse.

Fig. GG

AVANCE ERRONÉE - CONTRE LE FIL

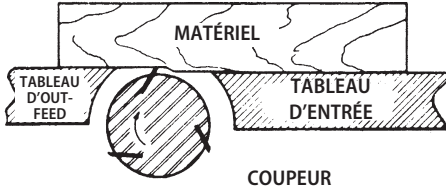
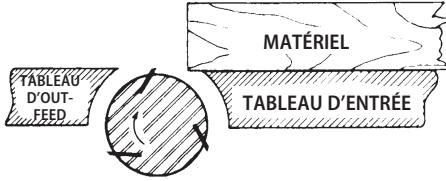


Fig. HH

AVANCE CORRECTE - AVEC LE FIL



MAINTENANCE

⚠ AVERTISSEMENT : afin de réduire le risque de blessure corporelle, éteignez l'appareil et débranchez-le la source d'alimentation avant d'effectuer tout ajustement ou de retirer/installer des pièces ou des accessoires. Un déclenchement accidentel du démarrage peut causer des blessures.

Remplacement de courroie (Fig. II, JJ)

Au besoin, remplacer la courroie de la dégauchisseuse comme suit :

1. Retirer la vis **40** à l'aide de la clé hexagonale fournie, puis retirer le protège-courroie **41**.
2. Desserrer les trois vis **42** pour relâcher la tension de la courroie, et retirer la courroie **43** des poulies.
3. Installer la nouvelle courroie sur les poulies du porte-lames et du moteur. Appuyer sur la poulie motrice **44** pour mettre la courroie sous tension, puis serrer les trois vis.

REMARQUE : On devrait obtenir une déviation d'environ 1/4 po (6,4 mm) de la courroie à la portée centrale **43** des poulies en utilisant une légère pression du doigt. La courroie n'exige pas une tension excessive pour fonctionner correctement.

4. Remplacement du protège-courroie **41**.

Fig. II

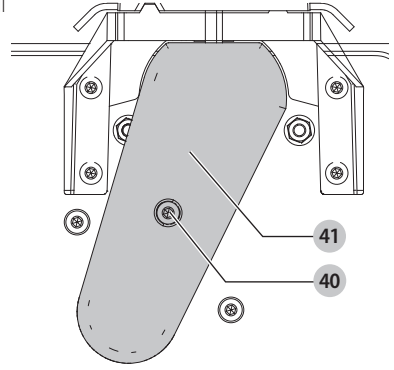
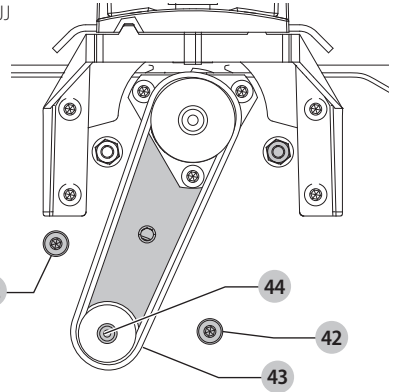


Fig. JJ



Démarrage impossible

Si la machine ne démarre pas, s'assurer que les lames de la fiche du cordon d'alimentation sont bien enfoncées dans la prise de courant. Vérifier également que les fusibles ne sont pas grillés ou que le disjoncteur ne s'est pas déclenché.

Depannage

Pour l'assistance avec votre outil, visiter notre site web à www.craftsman.com pour une liste de centres de maintenance ou appeler la ligne d'aide à **1-888-331-4569**.

Accessoires

⚠ AVERTISSEMENT : puisque les accessoires autres que ceux offerts par CRAFTSMAN n'ont pas été testés avec ce produit, leur utilisation pourrait s'avérer dangereuse. Pour réduire le risque de blessures, utiliser exclusivement les accessoires CRAFTSMAN recommandés avec le présent produit.

Les accessoires recommandés pour cet outil sont vendus séparément au centre de service de votre région. Pour obtenir de l'aide concernant l'achat d'un accessoire, communiquer avec CRAFTSMAN, composer le **1-888-331-4569**.

Nettoyage



AVERTISSEMENT : enlever les saletés et la poussière hors des événements au moyen d'air comprimé propre et sec, au moins une fois par semaine. Pour minimiser le risque de blessure aux yeux, toujours porter une protection oculaire conforme à la norme ANSI Z87.1 lors du nettoyage.



AVERTISSEMENT : ne jamais utiliser de solvants ni d'autres produits chimiques puissants pour nettoyer les pièces non métalliques de l'outil. Ces produits chimiques peuvent affaiblir les matériaux de plastique utilisés dans ces pièces. Utiliser un chiffon humecté uniquement d'eau et de savon doux. Ne jamais laisser de liquide pénétrer dans l'outil et n'immerger aucune partie de l'outil dans un liquide.

Lubrification et protection contre la rouille

Appliquer chaque semaine une cire à parquets d'usage domestique sur la table de la machine, sur la rallonge de table ou toute autre surface de travail. Ou utiliser un produit protecteur commercial conçu à cet effet. Suivre les directives du fabricant pour l'utilisation et la sécurité.

Pour enlever la rouille des tables en fonte, le matériel suivant est nécessaire : un tampon débourbeur de taille moyenne, du lubrifiant en aérosol et un contenant de produit dégraissant. Appliquer le lubrifiant en aérosol et polir la surface de la table avec le tampon débourbeur. Dégraisser la table, puis appliquer le produit protecteur selon les indications ci-dessus.

Réparations



AVERTISSEMENT : pour assurer la SÉCURITÉ et la FIABILITÉ du produit, les réparations, l'entretien et les réglages doivent être réalisés (cela comprend l'inspection et le remplacement du balai, le cas échéant) par un centre de réparation en usine CRAFTSMAN ou un centre de réparation agréé CRAFTSMAN. Toujours utiliser des pièces de rechange identiques.

Registre en ligne

Merci pour votre achat. Enregistrez dès maintenant votre produit:

- **RÉPARATIONS SOUS GARANTIE :** cette carte remplie vous permettra de vous prévaloir du service de réparations sous garantie de façon plus efficace dans le cas d'un problème avec le produit.
- **CONFIRMATION DE PROPRIÉTÉ :** en cas de perte provoquée par un incendie, une inondation ou un vol, cette preuve de propriété vous servira de preuve auprès de votre compagnie d'assurances.
- **SÉCURITÉ :** l'enregistrement de votre produit nous permettra de communiquer avec vous dans l'éventualité peu probable de l'envoi d'un avis de sécurité régi par la loi fédérale américaine de la protection des consommateurs.

Registre en ligne à www.craftsman.com/registration

Garantie limitée de trois ans

CRAFTSMAN réparera ou remplacera sans frais tout appareil défectueux pour cause de défaut de matériau ou de main-d'œuvre sur une période de trois ans à partir de la date d'achat de l'outil. Cette garantie ne couvre pas les pièces en panne pour cause d'abus ou d'usure normale de l'outil. Pour plus de détails au sujet de la couverture de la garantie et l'information de réparation sous garantie, visitez www.craftsman.com ou composez le **1-888-331-4569**. Cette garantie ne s'applique pas aux accessoires ou dommages causés par des réparations effectuées ou tentées par d'autres. CETTE GARANTIE REMPLACE TOUTES LES AUTRES, INCLUANT LES GARANTIES IMPLICITES DE LA QUALITÉ MARCHANDE ET L'APTITUDE POUR UN BUT PARTICULIER, ET EXCLUT TOUS LES DOMMAGES ACCIDENTELS OU CONSÉCUTIFS. Certaines provinces ne permettent pas de limitation sur la durée de la garantie implicite ou l'exclusion ou la limitation de dommages indirects, alors ces limitations peuvent ne pas s'appliquer à vous. Cette garantie vous donne des droits légaux particuliers et vous pouvez avoir d'autres droits qui varient selon les états ou les provinces.

GARANTIE DE REMBOURSEMENT DE 90 JOURS

Si l'acheteur n'est pas entièrement satisfait, pour quelque raison que ce soit, du rendement de l'outil électrique ou de la cloueuse CRAFTSMAN, celui-ci peut le retourner, accompagné d'un reçu, dans les 90 jours à compter de la date d'achat pour obtenir un remboursement intégral, sans aucun problème.

AMÉRIQUE LATINE : cette garantie ne s'applique aux produits vendus en Amérique latine. Pour ceux-ci, veuillez consulter les informations relatives à la garantie spécifique présente dans l'emballage, appeler l'entreprise locale ou consulter le site Web pour les informations relatives à cette garantie.

REMPACEMENT GRATUIT DES ÉTIQUETTES

D'AVERTISSEMENT : si les étiquettes d'avertissement deviennent illisibles ou sont manquantes, composer le **1-888-331-4569** pour en obtenir le remplacement gratuit.

Definiciones: Símbolos y Palabras de Alerta de Seguridad

Este manual de instrucciones utiliza los siguientes símbolos y palabras de alerta de seguridad para alertarle de situaciones peligrosas y del riesgo de lesiones corporales o daños materiales.

⚠ PELIGRO: Indica una situación de peligro inminente que, si no se evita, provocará **la muerte o lesiones graves**.

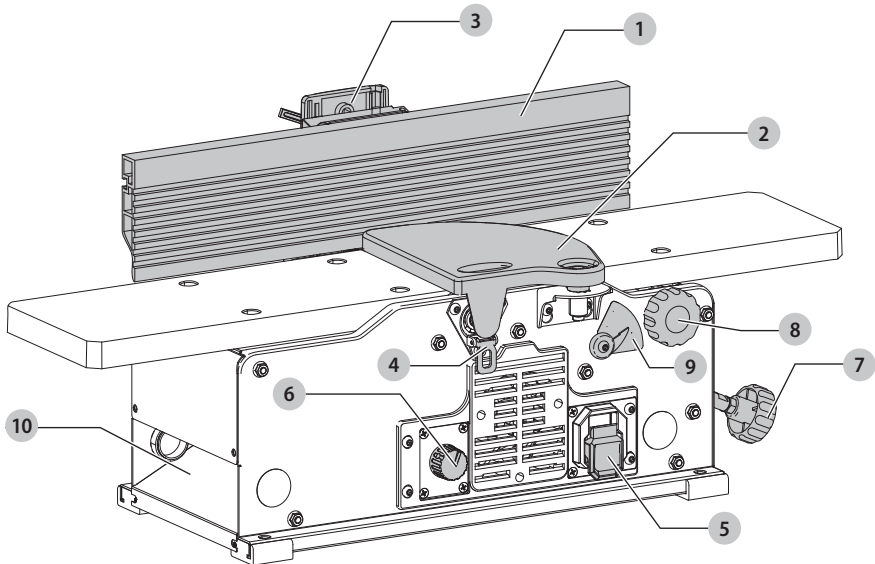
⚠ ADVERTENCIA: Indica una situación de peligro potencial que, si no se evita, **podría provocar la muerte o lesiones graves**.

⚠ ATENCIÓN: Indica una situación de peligro potencial que, si no se evita, **posiblemente provocaría lesiones leves o moderadas**.

⚠ (Utilizado sin palabras) indica un mensaje de seguridad relacionado.

AVISO: Se refiere a una práctica **no relacionada a lesiones corporales** que de no evitarse **puede resultar en daños a la propiedad**.

Fig. A



COMPONENTES

- 1 Cerca
- 2 Protección de cabeza de cortador
- 3 Soporte de deslizamiento de cerca
- 4 Seguro de cabeza de cortador
- 5 Interruptor On/off (Encendido/Apagado)
- 6 Control de velocidad variable
- 7 Ajuste de altura de la mesa
- 8 Perilla de bloqueo
- 9 Ajuste de profundidad
- 10 Disparo de polvo

⚠ ADVERTENCIA: Lea todas las advertencias de seguridad e instrucciones. El incumplimiento de las advertencias e instrucciones puede provocar descargas eléctricas, incendios o lesiones graves.

⚠ ADVERTENCIA: Nunca modifique la herramienta eléctrica, ni tampoco ninguna de sus piezas. Podría producir lesiones corporales o daños.



ADVERTENCIA: Para reducir el riesgo de lesiones, lea el manual de instrucciones.

Si tiene alguna duda o algún comentario sobre ésta u otra herramienta CRAFTSMAN llámenos al número gratuito: 1-888-331-4569.

Ingleteadora de Banco de Velocidad Variable de 152 mm (6") CMEW020

Instrucciones generales de seguridad

- MANTENGA LAS PROTECCIONES EN SU LUGAR** y en buen estado de operación.
- RETIRE LAS LLAVES Y LLAVES DE TUERCA DE AJUSTE.** Forme el hábito de verificar para ver que las llaves y las llaves de tuerca de ajuste estén retiradas de la herramienta antes de encenderla.
- MANTENGA EL ÁREA DE TRABAJO LIMPIA.** Las áreas y bancos abarrotados pueden producir lesiones.
- NO UTILICE EN UN AMBIENTE PELIGROSO.** No use herramientas eléctricas en lugares húmedos o mojados, ni las exponga a la lluvia. Mantenga el área de trabajo bien iluminada. Siempre opere la herramienta en un área bien ventilada libre de materiales combustibles, gasolina, o vapores de solventes. Si las chispas entran en contacto con vapores inflamables, se pueden encender, causando un incendio o explosión.
- MANTENGA A LOS NIÑOS ALEJADOS.** Todos los visitantes deben mantener una distancia segura del área de trabajo.
- HAGA SU TALLER A PRUEBA DE NIÑOS** con candados, interruptores maestros, o retirando las llaves de arranque.
- NO FUERCE LA HERRAMIENTA.** Hará el trabajo mejor y con más seguridad en la velocidad para la que está diseñada.
- USE LA HERRAMIENTA CORRECTA.** No fuerce la herramienta o el accesorio para hacer un trabajo para el que no estén diseñados.
- USE EL CABLE DE EXTENSIÓN ADECUADO.** Asegúrese que su cable de extensión esté en buenas condiciones. Cuando use un cable de extensión asegúrese de usar uno lo suficientemente pesado para llevar la corriente que usará su producto. Un cable de tamaño inferior causará una caída en el voltaje en línea, que resulta en sobrecalentamiento y pérdida de energía. La tabla Calibre Mínimo para Juegos de Cable a continuación muestra el tamaño correcto a usar dependiendo de la longitud del cable y la clasificación de amperes de la placa de identificación. Si tiene duda, use el calibre más pesado siguiente. Mientras menor sea el número de calibre, más pesado será el cable. Cuando opere una herramienta eléctrica en el exterior, utilice un cable de extensión para exteriores con la marca "W-A" o "W". Estos cables están diseñados para uso en exteriores y reducen el riesgo de descarga eléctrica.
- USE VESTIMENTA ADECUADA.** No use ropa holgada, guantes, corbatas, anillos, brazaletes u otra joyería que puedan quedar atrapados en las partes móviles. Se recomienda calzado antiderrapante. Use una cubierta de protección para el cabello para cubrir el cabello largo. Las ventilas de aire a menudo cubren las partes móviles y también se deben evitar.
- SIEMPRE USE LENTES DE SEGURIDAD.** También use una careta o máscara de polvo si la operación de corte produce polvo. Los anteojos de uso diario sólo tienen lentes resistentes contra impacto, no son gafas de seguridad.
- TRABAJO SEGURO.** Use abrazaderas o un tornillo de banco para sostener el trabajo cuando sea práctico. Es más seguro que usar su mano y mantiene libres ambas manos para operar la herramienta.
- NO SE EXTRALIMITE.** Mantenga una base de apoyo y equilibrio adecuados en todo momento.
- MANTENGA LAS HERRAMIENTAS CON CUIDADO.** Mantenga las herramientas afiladas y limpias para obtener el mejor y más seguro rendimiento. Siga las instrucciones para lubricar y cambiar los accesorios.
- DESCONECTE LAS HERRAMIENTAS** antes de realizar el mantenimiento; cuando se cambian accesorios, como cuchillas, brocas, cortadores y similares.
- REDUZCA EL RIESGO DE ARRANQUE INADVERTIDO.** Asegúrese que el interruptor esté en la posición de apagado antes de conectarlo.
- USE LOS ACCESORIOS RECOMENDADOS.** Consulte el manual de instrucciones respecto a los accesorios recomendados. El uso de accesorios inadecuados puede causar el riesgo de lesiones a las personas.
- NUNCA SE PARE SOBRE LA HERRAMIENTA.** Podrían ocurrir lesiones serias si se inclina la herramienta o se hace contacto inadvertidamente con la herramienta de corte.
- REVISE LAS PARTES DAÑADAS.** Antes del uso adicional de la herramienta, se debe revisar cuidadosamente una protección u otra parte que esté dañada para determinar que funcionará adecuadamente y realizará su función pretendida—revise la alineación de las partes móviles, atascamiento de partes móviles, ruptura de partes, montaje y cualquier otra condición que pueda afectar su operación. Una protección u otra parte que esté dañada se debe reparar o reemplazar adecuadamente.
- DIRECCIÓN DE ALIMENTACIÓN.** Alimente la cepilladora de acuerdo con la dirección de las flechas de alimentación en la parte superior de la unidad.
- NUNCA DEJE LA HERRAMIENTA EN OPERACIÓN SIN SUPERVISIÓN. APAGUE LA ENERGÍA.** No deje la herramienta hasta que se detenga por completo.

Reglas de Seguridad Adicionales para Ingleteadoras



ADVERTENCIA: El incumplimiento en seguir estas reglas puede ocasionar lesiones personales graves.

- No opere esta máquina hasta que esté completamente ensamblada e se instale de acuerdo con las instrucciones.** Una máquina ensamblada incorrectamente puede causar lesiones serias.

2. **Obtenga consejo de su supervisor, instructor u otra persona calificada si no está completamente familiarizado con el funcionamiento de esta máquina.** El conocimiento es seguridad.
3. **Siga todos los códigos de cableado y las conexiones eléctricas recomendadas para evitar descargas eléctricas o electrocución.**
4. **Mantenga los cuchillos afilados y libres de óxido y brea.** Los cuchillos desafilados u oxidados trabajan más y pueden causar retrocesos.
5. **Apriete las mesas de entrada/salida antes de arrancar la máquina.** La pérdida de control de la pieza de trabajo puede causar lesiones graves.
6. **Asegure correctamente las cuchillas en la cabeza del cortador antes de encenderlo.** Las cuchillas flojas pueden ser arrojadas a altas velocidades.
7. **Nunca encienda la máquina antes de limpiar la mesa de todos los objetos (herramientas, restos de madera, etc.).** Los desechos arrojados pueden causar lesiones serias.
8. **Nunca encienda la máquina con la pieza de trabajo en contacto con la cabeza del cortador. Puede ocurrir retroceso.**
9. **Evite operaciones y las posiciones de las manos incómodas.** Un deslizamiento repentino podría hacer que una mano se mueva hacia la cabeza del cortador.
10. **Mantenga los brazos, las manos y los dedos alejados de la cabeza del cortador para evitar lesiones graves.**
11. **Nunca haga cortes más profundos que 3.2 mm (1/8") para evitar el retroceso.**
12. **Nunca una o cepille una pieza de trabajo que sea más corta que 254 mm (10"), más angosta que 19 mm (3/4") o menor a 12.7 mm (1/2") de espesor.** La unión de piezas de trabajo más pequeñas puede colocar su mano en la cabeza del cortador y causar lesiones graves.
13. **Use los bloques de sujeción/empuje para unir o cepillar cualquier pieza de trabajo más baja que la cerca.** Unir o cepillar piezas de trabajo pequeñas puede provocar un retroceso y lesiones graves.
14. **Sostenga la pieza de trabajo firmemente contra la mesa y la cerca.** La pérdida de control de la pieza de trabajo puede causar retroceso y provocar lesiones graves.
15. **Nunca realice operaciones "a mano libre". Use la cerca para colocar y guiar la pieza de trabajo.** La pérdida de control de la pieza de trabajo puede causar lesiones graves.
16. **No intente realizar una operación anormal o poco utilizada sin estudio y el uso de bloques de sujeción/empuje adecuados, plantillas, accesorios, retenes, etc.**
17. **No alimente una pieza de trabajo en el extremo de salida de la máquina.** La pieza de trabajo se expulsará por el extremo opuesto a altas velocidades.
18. **No alimente una pieza de trabajo deformada, que contenga nudos o que esté incrustada con objetos extraños (clavos, grapas, etc.) para evitar el contragolpe.**
19. **Mantenga la relación adecuada entre las superficies de la mesa de alimentación y salida y la trayectoria de la cuchilla del cortador.** La pérdida de control de la pieza de trabajo puede causar lesiones graves.
20. **Apoye correctamente piezas de trabajo largas o anchas.** La pérdida de control de la pieza de trabajo puede causar lesiones.
21. **Nunca realice el diseño, el montaje o el trabajo de configuración en la mesa/área de trabajo cuando la máquina esté en funcionamiento. Un deslizamiento repentino podría hacer que una mano se mueva hacia la cabeza del cortador.** Puede resultar en lesiones severas.
22. **Retire las virutas sólo con la energía en "OFF" y la cabeza del cortador detenida para evitar lesiones graves.**
23. **Apague la máquina, desconecte la máquina de la fuente de alimentación y limpie la mesa/área de trabajo antes de abandonar la máquina. Bloquee el interruptor en la posición "OFF" para evitar el uso no autorizado.** Alguien más podría encender accidentalmente la máquina y causarse lesiones a sí mismos.
24. **Se puede obtener información adicional sobre el funcionamiento seguro y adecuado de las herramientas eléctricas (es decir, un video de seguridad) en el Power Tool Institute, 1300 Sumner Avenue, Cleveland, OH 44115-2851 (www.powertoolinstitute.com).** La información también está disponible a partir de The National Safety Council, 1121 Spring Lake Drive, Itasca, IL 60143-3201. Consulte los Requisitos de seguridad ANSI 01.1 del American National Standards Institute para máquinas para trabajar la madera y las regulaciones OSHA 1910.213 del Departamento de Trabajo.
25. **Mantenga la protección de la cabeza de corte en su lugar y en buen estado de operación.**

Instrucción Adicional de Seguridad



ADVERTENCIA: Use SIEMPRE lentes de seguridad. Los anteojos de diario NO SON lentes de seguridad. Utilice además una cubrebocas o mascarilla antipolvo si la operación de corte genera demasiado polvo. SIEMPRE LLEVE EQUIPO DE SEGURIDAD CERTIFICADO:

- protección ocular ANSI Z87.1 (CAN/CSA Z94.3),
- protección auditiva ANSI S12.6 (S3.19),
- protección respiratoria NIOSH/OSHA/MSHA.



ADVERTENCIA: Algunas partículas de polvo generadas al lijar, serrar, esmerilar y taladrar con herramientas eléctricas, así como al realizar otras actividades de construcción, contienen químicos que el Estado de California sabe que pueden producir cáncer, defectos congénitos u otras afecciones reproductivas. Ejemplos de estos químicos son:

- plomo de algunas pinturas en base a plomo,

- *polvo de sílice proveniente de ladrillos y cemento y otros productos de albañilería, y*
- *arsénico y cromo provenientes de madera tratada químicamente.*

Su riesgo de exposición a estos químicos varía, dependiendo de la frecuencia con la cual realiza usted este tipo de trabajo. Para reducir su exposición a estas sustancias químicas: trabaje en una zona bien ventilada y llevando equipos de seguridad aprobados, como mascarillas antipolvo especialmente diseñadas para filtrar partículas microscópicas.

- **Evite el contacto prolongado con polvo generado por el lijado, aserrado, pulido, taladrado y otras actividades de construcción. Vista ropas protectoras y lave las áreas de la piel expuestas con agua y jabón.** Si permite que el polvo se introduzca en la boca u ojos o quede sobre la piel, puede favorecer la absorción de productos químicos peligrosos.



ADVERTENCIA: La utilización de esta herramienta puede generar polvo o dispersarlo, lo que podría causar daños graves y permanentes al sistema respiratorio, así como otras lesiones. Siempre use protección respiratoria aprobada por NIOSH (Instituto Nacional de Seguridad y Salud en el Trabajo) u OSHA (Administración de Seguridad y Salud en el Trabajo) apropiada para la exposición al polvo. Dirija las partículas en dirección contraria a la cara y el cuerpo.



ADVERTENCIA: Siempre lleve la debida protección auditiva personal en conformidad con ANSI S12.6 (S3.19) durante el uso de esta herramienta. Bajo algunas condiciones y duraciones de uso, el ruido producido por este producto puede contribuir a la pérdida auditiva.

- **Los orificios de ventilación suelen cubrir piezas en movimiento, por lo que también se deben evitar.** Las piezas en movimiento pueden atrapar prendas de vestir sueltas, joyas o el cabello largo.
- **Los hilos del alargador deben ser de un calibre apropiado (AWG o American Wire Gauge) para su seguridad.** Mientras menor sea el calibre del hilo, mayor la capacidad del cable. Es decir, un hilo calibre 16 tiene mayor capacidad que uno de 18. Un cable de un calibre insuficiente causará una caída en la tensión de la línea dando por resultado una pérdida de energía y sobrecalentamiento. Cuando se utilice más de un alargador para completar el largo total, asegúrese que los hilos de cada alargador tengan el calibre mínimo. La tabla siguiente muestra el tamaño correcto a utilizar, dependiendo de la longitud del cable y del amperaje nominal de la placa de identificación. Si tiene dudas sobre cuál calibre usar, use un calibre mayor. Cuanto menor sea el número del calibre, más resistente será el cable.

Calibre mínimo de conjuntos de cables

Voltios	Longitud total del cable en pies (metros)				
	120 V	25 (7,6)	50 (15,2)	100 (30,5)	150 (45,7)
240 V	50 (15,2)	100 (30,5)	200 (61,0)	300 (91,4)	
Amperaje nominal		AWG			
Más de	Más de				
0	6	18	16	16	14
6	10	18	16	14	12
10	12	16	16	14	12
12	16	14	12	No recomendado	

Conexiones a la Fuente de Alimentación

Se debe usar un circuito eléctrico separado para sus máquinas. Este circuito no debe ser menor que el cable #12 y debe estar protegido con un fusible de retraso de tiempo de 20 Amps.

NOTA: Los fusibles de acción retardada deben estar marcados "D" en Canadá y "T" en EE.UU. Si se utiliza un cordón de extensión, utilice únicamente cordones de extensión de tres alambres que tengan enchufes de tipo de conexión a tierra con tres terminales y un receptáculo coincidente que acepte el enchufe de la máquina. Antes de conectar el máquina a la línea de alimentación, asegúrese de que el interruptor(s) esté en la posición de apagado ("OFF") y cerciórese de que la corriente eléctrica tenga las mismas características que las que estén indicadas en la máquina. Todas las conexiones a la línea de alimentación deben hacer buen contacto. El funcionamiento a bajo voltaje dañará el máquina.



PELIGRO: No exponga la máquina a la lluvia ni la utilice en lugares húmedos.

Especificaciones del Motor

La máquina está cableada para corriente alterna de 120 V, 60 Hz. Antes de conectar la máquina a la fuente de alimentación, asegúrese de que el interruptor esté en la posición de apagado ("OFF").

Instrucciones de Conexión a Tierra

(Fig B, C)



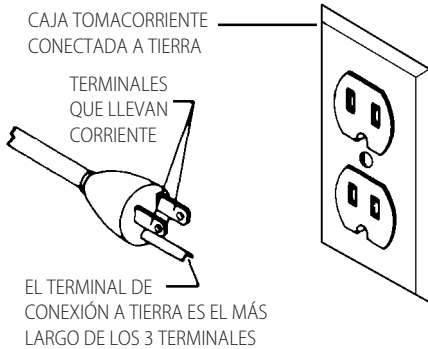
PELIGRO: Esta máquina debe estar conectada a tierra mientras se esté utilizando, para proteger al operador contra las descargas eléctricas.

1. **Todas las máquinas conectadas con cordón conectadas a tierra:**

- En caso de mal funcionamiento o avería, la conexión a tierra proporciona una ruta de resistencia mínima para la corriente eléctrica, con el fin de reducir el riesgo de descargas eléctricas. Esta máquina está equipada con un cordón eléctrico que tiene un conductor de conexión a tierra del equipo y un enchufe de conexión a tierra. El enchufe debe enchufarse en un tomacorriente coincidente que esté instalado y conectado a tierra adecuadamente, de acuerdo con todos los códigos y ordenanzas locales.

- No modifique el enchufe suministrado. Si el enchufe no cabe en el tomacorriente, haga que un electricista calificado instale el tomacorriente apropiado.
- La conexión inapropiada del conductor de conexión a tierra del equipo puede dar como resultado riesgo de descargas eléctricas. El conductor con aislamiento que tiene una superficie exterior de color verde con o sin franjas amarillas es el conductor de conexión a tierra del equipo. Si es necesario reparar o reemplazar el cordón eléctrico o el enchufe, no conecte el conductor de conexión a tierra del equipo a un terminal con corriente.
- Consulte a un electricista competente o a personal de servicio calificado si no entiende completamente las instrucciones de conexión a tierra o si tiene dudas en cuanto a si la máquina está conectada a tierra apropiadamente.
- Utilice únicamente cordones de extensión de tres alambres que tengan enchufes de tipo de conexión a tierra con tres terminales y receptáculos de tres conductores que acepten el enchufe de la máquina, tal como se muestra en la Fig. B.
- Repare o reemplace inmediatamente los cordones dañados o desgastados.

Fig. B

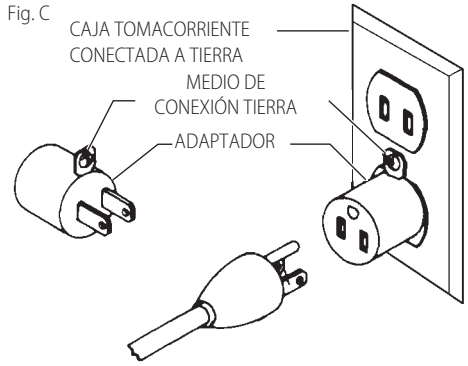


2. Máquinas conectadas con cordón conectadas a tierra diseñadas para utilizarse en un circuito de alimentación que tenga una capacidad nominal de menos de 150 V:

- Si la máquina está diseñada para utilizarse en un circuito que tenga un tomacorriente parecido al que se ilustra en la Fig. B, la máquina tendrá un enchufe de conexión a tierra que se parece al enchufe ilustrado en la Fig. B. Puede utilizarse un adaptador temporal, que se parece al adaptador ilustrado en la Fig. C, para conectar este enchufe a un receptáculo coincidente de dos conductores, tal como se muestra en la Fig. C, si no se dispone de un tomacorriente conectado a tierra apropiadamente. El adaptador temporal debe utilizarse solamente hasta que un electricista calificado pueda instalar un tomacorriente conectado a tierra apropiadamente. La orejeta, lengüeta, etc., rígida de color verde

que sobresale del adaptador debe conectarse a una toma de tierra permanente, como por ejemplo una caja tomacorriente conectada a tierra adecuadamente. Siempre que se utilice un adaptador, debe sujetarse en su sitio con un tornillo de metal.

Fig. C



NOTA: En Canadá, el uso de un adaptador temporal no está permitido por el Código Eléctrico Canadiense.

⚠ PELIGRO: En todos los casos, asegúrese de que el receptáculo en cuestión esté conectado a tierra adecuadamente. Si no está seguro, haga que un electricista calificado compruebe el receptáculo.

GUARDE ESTAS INSTRUCCIONES PARA VOLVER A CONSULTAR EN EL FUTURO COMPONENTES (FIG. A)

Motor

Asegúrese de que la fuente de energía concuerde con lo que se indica en la placa. Un descenso en el voltaje de más del 10% producirá una pérdida de potencia y sobrecalentamiento. Todas las herramientas son probadas en fábrica; si esta herramienta no funciona, verifique el suministro eléctrico.

Uso Debido

El CMEW020 es un acanalador de banco de velocidad variable de 152 mm (6") diseñado para unir y cepillar madera con una capacidad de corte de 152 mm (6") de ancho y 3 mm (1/8") de profundidad. La unidad incluye; 10 amperios, motor de 120 voltios con el rango variable de la velocidad a partir del 6000 a 11000 RPM y rango de la velocidad del corte a partir del 12000 a 22000 CPM, canal inclinado del polvo, cerca centro-center-mounted, cutterhead del dos-cuchillo, protector y bloqueo del cutterhead, llaves y bloques del empuje.

NO utilice la herramienta en condiciones de humedad o en presencia de líquidos o gases inflamables.

NO permita que los niños toquen la herramienta. Si el operador no tiene experiencia operando esta herramienta, su uso deberá ser supervisado.

MONTAJE Y AJUSTES



ADVERTENCIA: Para reducir el riesgo de lesiones personales, apague la unidad y desconéctela de la fuente de energía antes de realizar cualquier ajuste o retirar/installar conexiones o accesorios. Una activación de arranque accidental puede causar lesiones.

Desempaquetado y Limpieza

Desembale cuidadosamente la máquina y todos los elementos sueltos del o los contenedores de envío. Retire el aceite anticorrosivo de las superficies sin pintura con un paño suave humedecido con alcohol mineral, solvente o alcohol desnaturalizado.

AVISO: No use solventes volátiles como gasolina, nafta, acetona o solvente de barniz para limpiar la máquina.

Luego de limpiar, cubra las superficies sin pintura con cera en pasta de buena calidad que se utiliza para los pisos del hogar.

Herramientas de Ensamblaje Requeridas

Dos llaves hexagonal (prozvista)

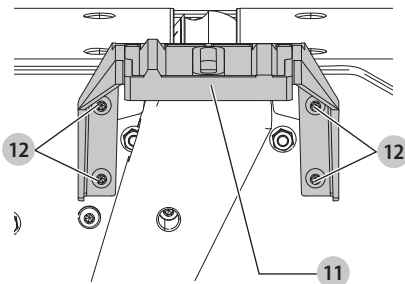
Estimación del Tiempo de Ensamblaje

La asamblea para esta máquina es más o menos uno horas.

La Guía (Fig. D–J)

1. Ensamble el soporte de montaje de la guía **11** a la base de la canteadora utilizando los cuatro tornillos de cubeta de cabeza redonda de M6 x 1 mm x 16 mm **12**.

Fig. D



2. Ensamble el soporte deslizante de la guía **3** al soporte de montaje **11** utilizando la agarradera de cierre **19**, la arandela plana de M8 **13** y la tuerca especial **14**.

Fig. E

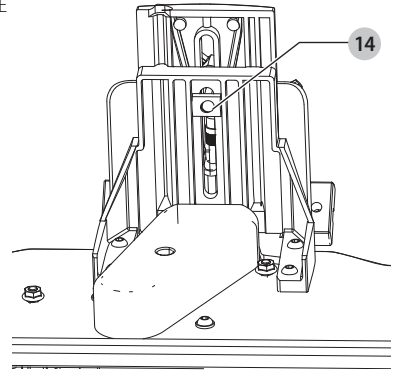
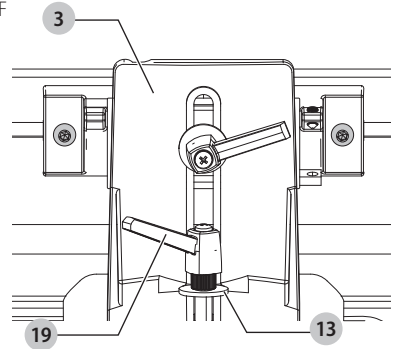
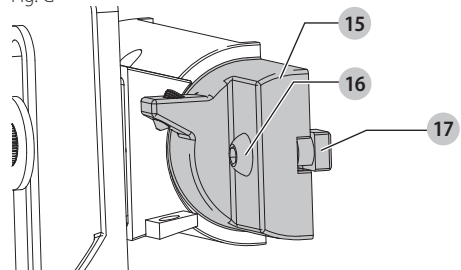


Fig. F



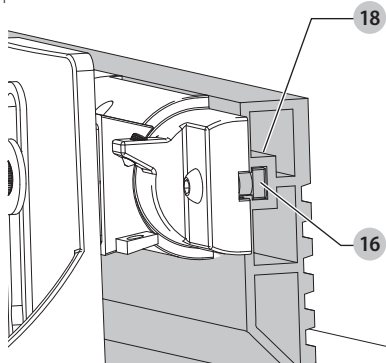
3. Ensamble un tornillo de cubeta de cabeza redonda de M6 x 1 mm x 16 mm **16** al soporte de inclinación de guía **15**, y enrosque la tuerca en "T" **17** en el extremo fileteado del tornillo **16** en la manera ilustrada aquí. **NO APRIETE EL TORNILLO POR COMPLETO EN ESTE MOMENTO.** Ensamble el tornillo y la tuerca en "T" al extremo opuesto del soporte de inclinación del mismo modo.

Fig. G



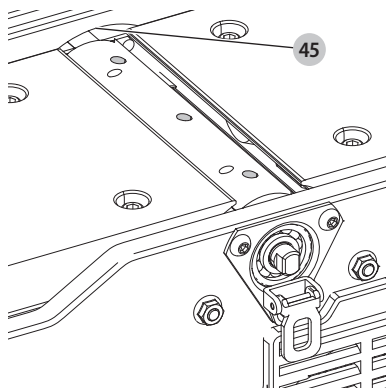
4. Deslice la ranura de la guía **18** sobre las tuercas en "T" **17**.

Fig. H



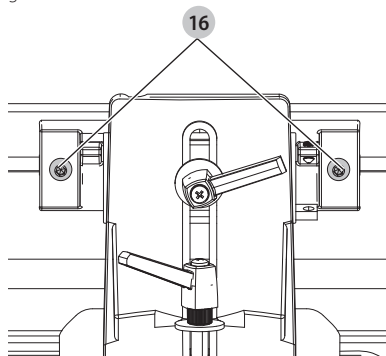
5. Coloque la guía **1** de tal manera que la sección redondeada **45** en el fondo de la guía quede sobre la abertura del cabezal de corte, como se ilustra aquí.

Fig. I



6. Apriete los dos tornillos **16** utilizando una llave hexagonal incluida.

Fig. J



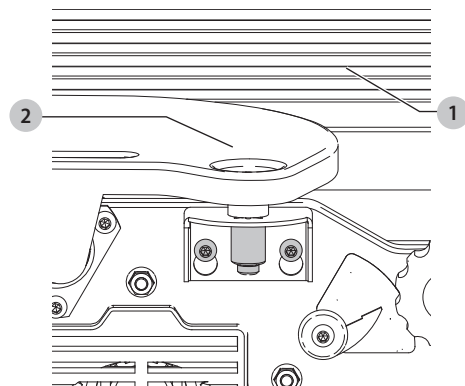
Protección de cabeza de corte (Fig. K1)

⚠ ADVERTENCIA: Mantenga las manos alejadas de la cabeza de corte durante el uso.

⚠ ADVERTENCIA: No retire la protección de la cabeza de corte, no bloquee la protección de la cabeza de corte, asegúrese que la protección de la cabeza de corte retroceda libremente y toque la cerca.

La protección de la cabeza de corte **2** está diseñada para apoyarse contra la cerca **1**. Se moverá automáticamente a medida que la pieza de trabajo avanza hacia la cabeza de corte y retrocede contra la cerca una vez que la pieza de trabajo pasa la cabeza de corte. Con la sierra de inglete apagada, compruebe la posición y el movimiento adecuados antes de cada operación. Siempre use la protección de la cabeza de corte.

Fig. K1

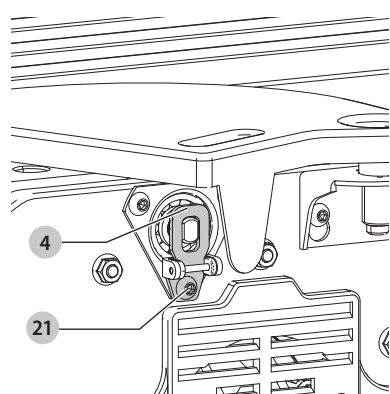


Cierre del Cabezal de Corte (Fig. K2)

Ensamble el cierre del cabezal de corte **4** al lado delantero de la base de la canteadora, utilizando para ello el tornillo de cubeta de cabeza redonda de M6 x 1 mm x 12 mm **21**.

NOTA: El cierre del cabezal de corte debe ser engranado con el eje del cabezal de corte. Solo cuando se fijan las cuchillas. En cualquier otro momento, el cierre del cabezal debe permanecer desengranado del cabezal de corte.

Fig. K2



Afianzando la Canteadora a la Superficie de Apoyo (Fig. M)

Si existe cualquier tendencia por parte de la machimbradora de volcarse, deslizarse o caminar sobre la superficie de apoyo durante el funcionamiento, la ma-chimbradora debe ser afianzada a la superficie de apoyo con ajustadores a través de los cuatro agujeros en la base de la canteadora, de los cuales se ilustran dos en **22** Fig. M.

Adaptador de manguera de recolector de polvo (Fig. L, M)

Un adaptador de manguera de colector de polvo **23** se suministra con la sierra de inglete para ayudar a conectarla a una manguera de aspiradora estándar de 2" (51 mm). Para ensamblar el adaptador:

1. Retire los dos tornillos **25**. Afloje los tornillos **26**.
2. Deslice las ranuras **24** del adaptador debajo de los tornillos **26** que aflojó.
3. Ajuste los tornillos **26** cuando el adaptador **23** esté en la posición correcta.
4. Vuelva a colocar y ajustar los tornillos **25**.

AVISO: No instale el conducto de polvo a menos que utilice un recolector de polvo.

Fig. L

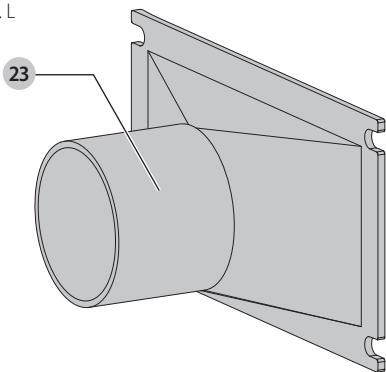
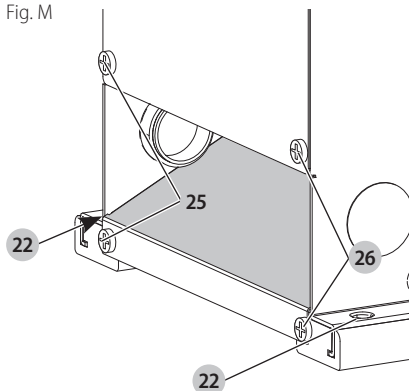


Fig. M



OPERACIÓN

⚠️ ADVERTENCIA: Para reducir el riesgo de lesiones personales, apague la unidad y desconéctela de la fuente de energía antes de realizar cualquier ajuste o retirar/instalar conexiones o accesorios.

Una activación de arranque accidental puede causar lesiones.

Paro y Arranque de Sierra de Inglete (Fig. A, N)

⚠️ ADVERTENCIA: Asegúrese que el interruptor esté presionado para que la herramienta esté en "APAGADO" antes de conectar el cable de energía. En caso de un corte de energía, presione el interruptor hacia abajo a la posición "APAGADO". Un arranque accidental puede causar lesiones.

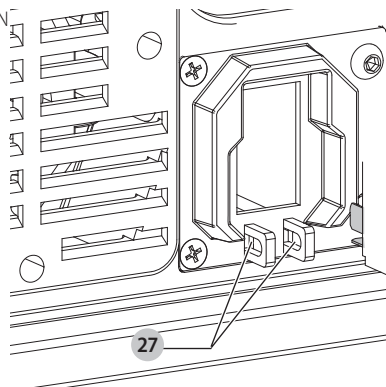
BLOQUEO DEL INTERRUPTOR HACIA ABAJO EN LA POSICIÓN "APAGADO"

NOTA: Cuando la máquina no está en uso, el interruptor debe estar bloqueado en la posición hacia abajo para evitar el uso no autorizado. Hay dos orificios **27** en la parte inferior del alojamiento del interruptor (Fig. N) para bloquear la herramienta con un candado.

Para encender la cepilladora:

1. Levante el interruptor **5** (Fig. A). La cepilladora se bloquea automáticamente.
2. Para apagar la herramienta, presione el interruptor hacia abajo.

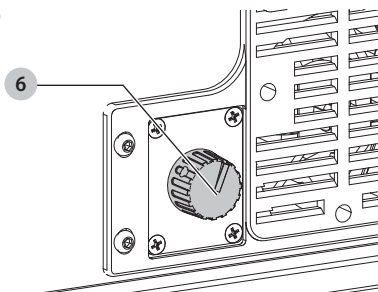
Fig. N



Control de Velocidad Variable (Fig. O)

Su canteadora está equipada con una perilla de control de velocidad variable **6** que le permite hacer uso de la máquina a velocidades del cabezal de corte entre 6000 y 11000 RPM. Se proporcionan indicadores de velocidad de 1, 2, 3, 4 y 5 sobre el cuadrante de velocidad.

Fig. O



Velocidad	RPM
1	6000
2	7250
3	8800
4	9750
5	11000

El Gráfico de la Selección de la Velocidad

Utiliza el gráfico de la selección de la velocidad determinar la colocación apropiada para su materia.

NOTA: Para la conveniencia, hace una copia de este gráfico y lo anuncia en o cerca de la máquina.

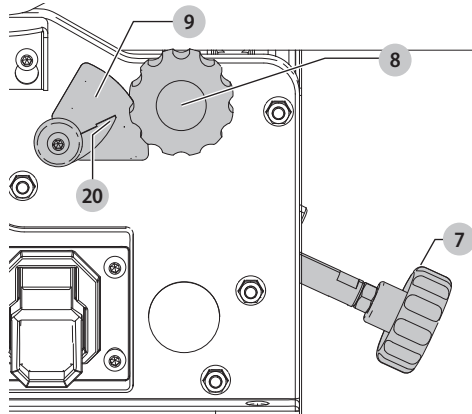
CUADRO DE SELECCION DE VELOCIDAD						
ANCHO DE CORTE				FIJACION DE CONTROL		
DE		A		PLASTICAS	MADERAS SUAVES	MADERA DURAS
pulg.	mm	pulg.	mm			
0	0	1-1/2	38,1	1	1	1
1-1/2	38,1	2-1/2	65,5	2	2	3
2-1/2	63,5	3-1/4	82,5	3	3	4
3-1/4	82,5	4	101,6	-	4	5
4	101,6	6	152,4	-	5	5

Ajuste de Profundidad de Corte (Fig. P)

La ingleteadora se puede configurar para cortar cualquier profundidad, desde un corte muy delgado hasta 3 mm (1/8") de profundidad. Se proporciona una escala inglesa/métrica doble **9** y un puntero **20** para indicar la profundidad de corte. Para ajustar la profundidad de corte, afloje la perilla de bloqueo **8** y la perilla de ajuste de altura de la mesa **7** en el sentido de las manecillas del reloj para bajar y en el sentido contrario para elevar la mesa de alimentación. Levantar la mesa de alimentación disminuye la profundidad de corte, mientras que bajarla aumentará la profundidad. Después de que la mesa de alimentación esté en la configuración deseada, apriete la perilla de bloqueo.

NOTA: Para obtener los mejores resultados, la posición final de la mesa de alimentación siempre debe realizarse desde abajo hacia arriba.

Fig. P

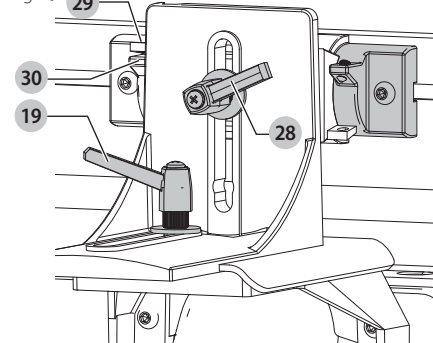


Ajustes de la Guía (Fig. Q-T)

La guía puede ser movida a lo largo de la mesa y puede ser inclinada hasta 45° a la derecha, en la siguiente manera:

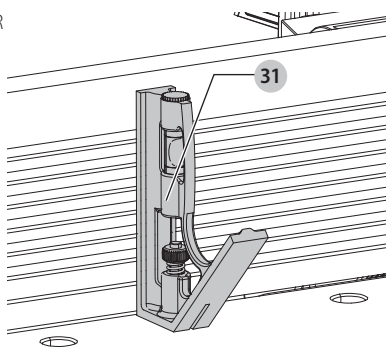
- Para mover la guía a lo largo de la mesa, afloje la palanca de cierre **19** deslice la guía hasta la posición deseada en la mesa y vuelva a apretar la palanca. **NOTA:** La palanca de cierre está accionada por resorte y puede ser reposicionada tirando de la palanca hacia arriba y reposicionándola sobre la tuerca localizada bajo la palanca.
- Para inclinar la guía, afloje la palanca **28** e incline la guía al ángulo deseado. Apriete entonces la palanca. **NOTA:** La palanca está accionada por resorte y puede ser reposicionada tirando de la palanca hacia afuera y reposicionándola sobre la tuerca localizada bajo la palanca.

Fig. Q



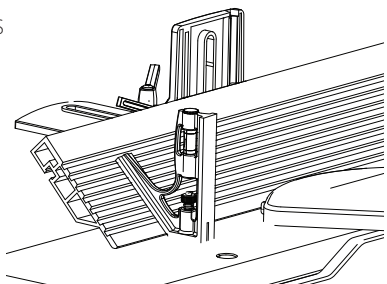
- La guía cuenta con topes positivos ajustables en las posiciones de mayor uso para la guía, 90° grados y 45° a la derecha. Para revisar y ajustar los topes positivos, haga lo siguiente:
 - Coloque una escuadra **31** sobre la mesa con un extremo de la escuadra contra la guía en la manera ilustrada aquí. Ajuste la guía hasta que quede exactamente a 90° de la mesa.

Fig. R



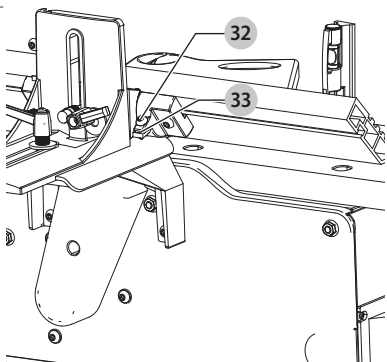
- b. Apriete el tornillo de fijación **29** hasta que haga contacto con el tope **30**.
- c. Incline la mesa a la posición de 45°, y utilizando una escuadra **31** asegúrese que la guía esté a 45° de la mesa. Ajuste la guía si resulta necesario.

Fig. S



- d. Apriete el tornillo de fijación **32** hasta que haga contacto con el tope **33**.

Fig. T



- e. Estos topes positivos le permiten colocar la mesa con rapidez a las fijaciones de 90° y 45°.



ATENCIÓN: Asegúrese de que la guía este en contacto con la superficie de la mesa de avance de salida.

Ajuste de Cuchillas (Fig. U–Y)



ADVERTENCIA: Las cuchillas están afiladas.



ADVERTENCIA: Desconecte la maquina de la fuente energia y quite el protector del cabezal de corte.



ADVERTENCIA: Tenga mucho cuidado de que sus manos no entren en contacto con las cuchillas.

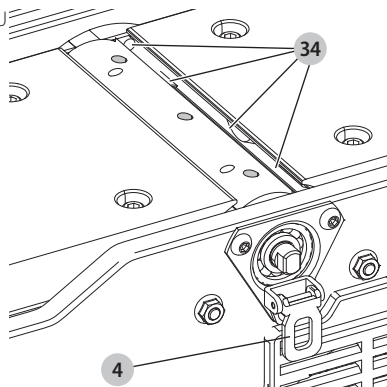


ADVERTENCIA: Asegúrese de que todas las cuchillas estén bien fijadas en el cabezal de corte antes de encender la energía.

Cuando resulte necesario ajustar las cuchillas debido a reemplazo o desgaste, haga lo siguiente:

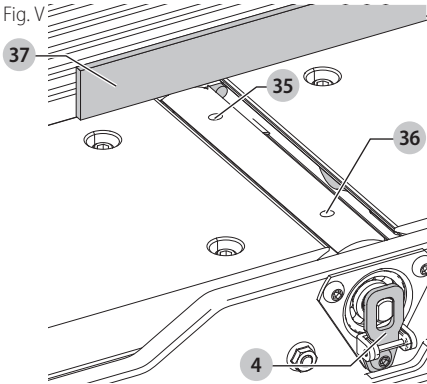
1. Retire el protector del cabezal de corte.
2. Para reemplazar una cuchilla, destrabe el seguro del cabezal de corte **4**. Rote el cabezal de corte, afloje los cuatro tornillos **34** y retire la barra y la cuchilla. Inserte una cuchilla nueva, reemplace la barra y apriete ligeramente los cuatro tornillos.

Fig. U



3. Para ajustar las cuchillas, asegúrese de que el seguro del cabezal de corte **4** no se halle trabado. Asegúrese de que los tornillos no estén demasiado ajustados. Afloje los tornillos media vuelta o sólo lo que sea necesario para que la cuchilla se pueda deslizar entre la placa de seguridad y el cabezal de corte.
4. Rote el cabezal de corte **4** y trabe el seguro en el eje del cabezal como se muestra. Esto posicionará las cuchillas para su correcto ajuste a la mesa de avance de salida.
5. Coloque una regla **37** sobre la mesa de avance de salida extendida sobre la cuchilla como se muestra. Use la llave hexagonal suministrada y gire el tornillo **35** hasta que la cuchilla sólo toque el borde recto. Ajuste la cuchilla en el extremo trasero del cabezal de corte girando el tornillo de la misma forma **36**. Apriete los cuatro tornillos **34** luego de realizar el ajuste.

NOTA: Asegúrese de que el seguro del cabezal de corte **4** esté destrabado luego de realizar el ajuste y vuelva a colocar el protector del cabezal.



6. Si las cuchillas están colocadas muy bajas, el resultado será el que se muestra en la Fig. W y la superficie final se curvará.
7. Si las cuchillas están colocadas muy altas, la pieza de trabajo se estirará al final del corte, como se muestra en la Fig. X.
8. Como prueba final, pase lentamente una pieza de trabajo por las cuchillas entre 152 mm y 203 mm (6" y 8"). La madera debería acomodarse firmemente en ambas mesas como se muestra en la Fig. Y, sin espacios abiertos debajo del corte final.

Fig. W

CUCHILLOS FIJADOS DEMASIADO BAJOS

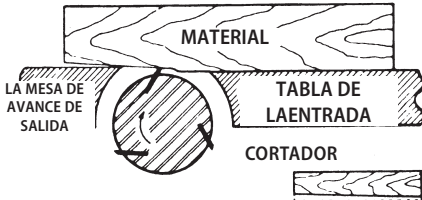


Fig. X

CUCHILLOS FIJADOS DEMASIADO ALTOS

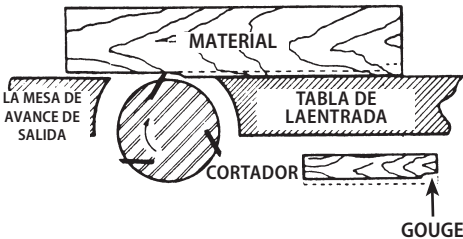
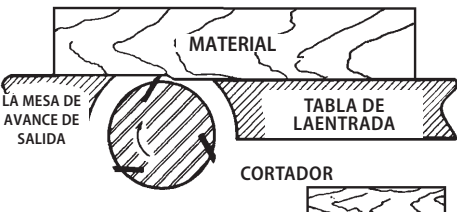


Fig. Y

CUCHILLOS EN LA ALTURA CORRECTA

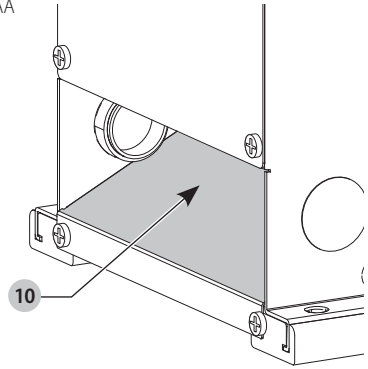


Conducto de Astillas y Polvo (Fig. AA)

⚠️ ADVERTENCIA: Aleje las manos del conducto de astillas y polvo en todo momento.

Se proporciona un conducto de astillas y polvo **10** en el extremo del avance de salida de la base de la canteadora para remover las astillas de manera eficiente.

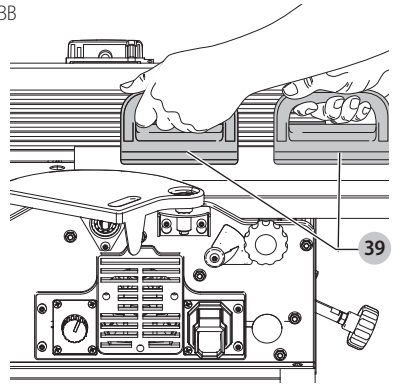
Fig. AA



Bloques de Empuje (Fig. BB)

Se proporciona un juego de bloques de empuje **39** con su canteadora. Estos deben ser utilizados siempre que sea posible para reducir cualquier peligro posible a sus manos. La Fig. BB ilustra los bloques de empuje debidamente utilizados.

Fig. BB



USO DE LA MÁQUINA

⚠️ ADVERTENCIA: Para reducir el riesgo de lesiones personales, apague la unidad y desconéctela de la fuente de energía antes de realizar cualquier ajuste o retirar/installar conexiones o accesorios. Una activación de arranque accidental puede causar lesiones.

⚠️ ADVERTENCIA: Siempre use la protección de la cabeza de corte y mantenga las manos alejadas de la cabeza de corte. Use bloques de empuje siempre que sea posible.

Las siguientes instrucciones proporcionarán al principiante un comienzo sobre las funciones de la canteadora. Utilice pedazos descartados de madera para revisar las fijaciones y acostumbrarse a la sensación de las funciones antes de intentar cortar materiales regulares.

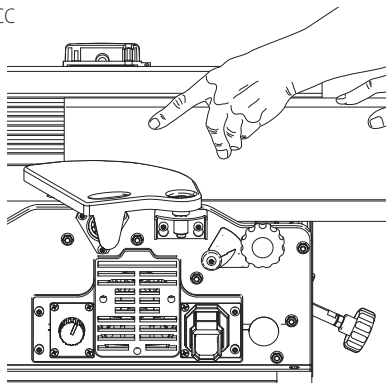
NOTA: Las cuchillas de la canteador no se desgastarán en forma pareja si todas las veces introduce la madera por el mismo lugar de la mesa. Introduzca la madera a través de la canteador en diferentes puntos en la mesa para eliminar el desgaste desigual de las cuchillas.

Definición de Unión, Cepillado

Operaciones de Unión (Fig. CC)

Los cortes de canteado o el canteado de bordes se llevan a cabo para cuadrar el borde de un material determinado. El material es colocado sobre la canteadora con el borde angosto del material sobre la mesa de alimentación y la superficie plana principal del material contra la guía. El material es movido desde la mesa de alimentación a lo largo del cabezal de corte hacia la mesa de avance de salida.

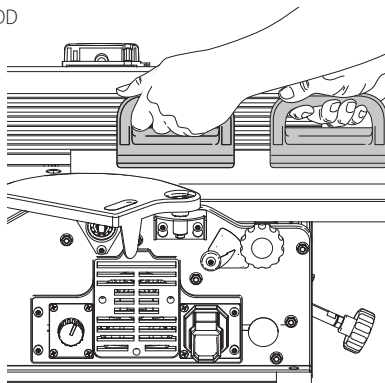
Fig. CC



Operaciones de Cepillado (Fig. DD)

El acepillado o alisado son idénticos a las funciones de canteado salvo por la posición del material. Para el acepillado, la superficie plana principal del material se coloca sobre la mesa de alimentación de la canteadora con el borde angosto del material contra la guía. El material es movido desde la mesa de alimentación a lo largo del cabezal de corte hacia la mesa de avance de salida. Haga uso de bloques de empuje en donde sea posible cuando vaya a realizar funciones de acepillado.

Fig. DD



Colocación de las Manos Durante la Alimentación (Fig. BB)

⚠ ADVERTENCIA: Nunca pase las manos directamente sobre la cabeza del cortador.

Al comienzo del corte, la mano izquierda detiene el material con firmeza contra la mesa de alimentación y la guía, mientras que la mano derecha empuja el material hacia las cuchillas. Después de haber iniciado el corte, la nueva superficie descansa firmemente sobre la mesa de avance de salida, como aparece en la Fig. BB. La mano izquierda debe ser movida entonces al material en la mesa de avance de salida, mientras que mantiene contacto plano con la guía. La mano derecha empuja el material hacia adelante, y antes de que la mano derecha alcance el cabezal de corte, debe ser movida al material sobre la mesa de avance de salida.

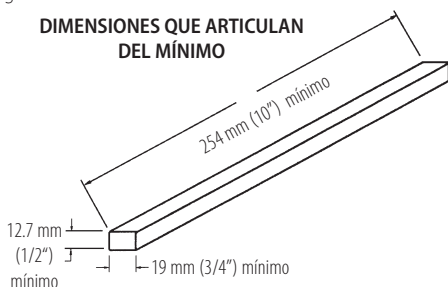
Unión de Borde (Fig. CC, EE)

⚠ ADVERTENCIA: No realice operaciones de unión en material de menos de 254 mm (10"), más angosto que 19 mm (3/4") o menor a 12,7 mm (1/2") de espesor

Esta es la función más común para la canteadora. Fije la guía de manera que cuadre con la mesa. La profundidad de corte debe ser la mínima requerida para obtener un borde recto. Detenga la mejor carátula del material firmemente contra la guía a lo largo de la alimentación, como lo ilustra la Fig. CC.

Fig. EE

DIMENSIONES QUE ARTICULAN DEL MÍNIMO



Cepillado de Piezas Deformadas

Si la madera a ser acepillada está curvada o deformada, haga cortes ligeros hasta que la superficie esté plana. Evite forzar tales materiales hacia abajo contra la mesa, ya que la presión excesiva los hará curvarse mientras que pasan las cuchillas, y volverán a su posición original, permaneciendo curvadas después de completado el corte.

Cepillado de Trabajo Corto o Fino

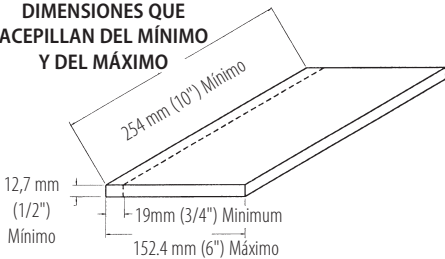
(Fig. BB, FF)

⚠️ ADVERTENCIA: No realice operaciones de unión en material de menos de 254 mm (10"), más angosto que 19 mm (3/4") o menor a 12,7 mm (1/2") de espesor.

Cuando vaya a acepillar materiales cortos o delgados, utilice siempre bloques de empuje para minimizar todo peligro a las manos. La Fig. BB ilustra el uso debido de los bloques de empuje 39.

Fig. FF

**DIMENSIONES QUE
ACEPILLAN DEL MÍNIMO
Y DEL MÁXIMO**



Dirección de Grano (GG, HH)

Evite alimentar el material a contrahielo ya que esto resultará en bordes astillados. Alimente el material con el grano para obtener una superficie lisa.

Fig. GG

ALIMENTACION DEBIDA - CON EL GRANO

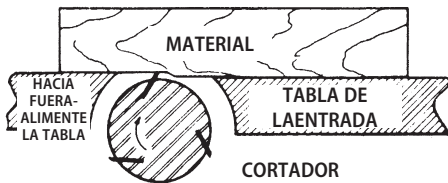
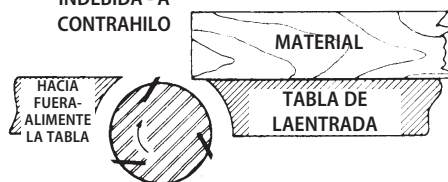


Fig. HH

**ALIMENTACION
INDEBIDA - A
CONTRAHILO**



MANTENIMIENTO

⚠️ ADVERTENCIA: Para reducir el riesgo de lesiones personales, apague la unidad y desconéctela de la fuente de energía antes de realizar cualquier ajuste o retirar/instalar conexiones o accesorios. Una activación de arranque accidental puede causar lesiones.

Reemplazo de la Banda (Fig. II, JJ)

Cuando sea necesario reemplazar la correa de su canteadora:

1. Quite el tornillo 40 utilizando la llave Allen suministrada, y quite el protector de correa 41.
2. Afloje los tres tornillos 42 para soltar la tensión de la correa y quite la correa 43 de las poleas.
3. Ensamble la nueva correa a las poleas del cabezal de corte y del motor. Oprima la polea del motor hacia abajo 44 para tensionar la correa y apretar los tres tornillos).

NOTA: La correa 43 debe estar firme sin estar excesivamente apretada. La correa no requiere un tensionamiento excesivo para funcionar debidamente.

4. Reemplace el protector de correa 41.

Fig. II

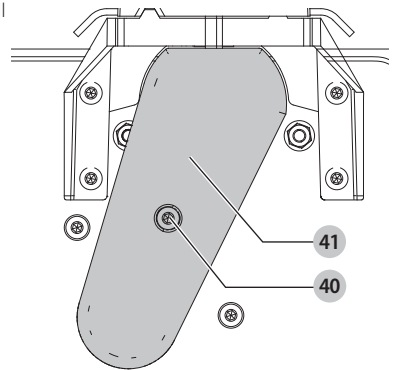
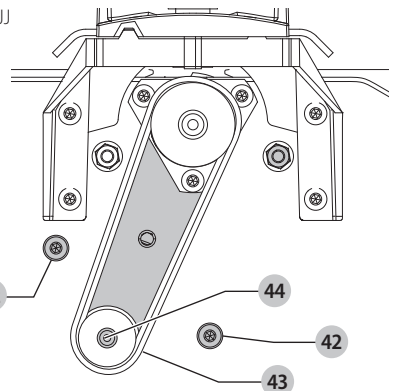


Fig. JJ




Falla en el Encendido

Si la máquina no enciende, verifique que las patas del enchufe del cable hagan buen contacto en el tomacorriente. Además, revise que no hayan fusibles quemados o interruptores automáticos de circuito abierto en la línea.

Localización de Fallas


Para obtener asistencia para su máquina, visite nuestro sitio Web en www.craftsman.com para tener acceso a una lista de centros de servicio o llame a la línea de ayuda al **1-888-331-4569**.


Accesorios

 **ADVERTENCIA:** Debido a que no se han probado con este producto otros accesorios que no sean los que ofrece CRAFTSMAN, el uso de dichos accesorios con esta herramienta podría ser peligroso. Para reducir el riesgo de lesiones, con este producto deben usarse sólo los accesorios recomendados por CRAFTSMAN.

Los accesorios que se recomiendan para utilizar con la herramienta están disponibles a un costo adicional en su distribuidor local o en un centro de mantenimiento autorizado. Si necesita ayuda para localizar algún accesorio, póngase en contacto con CRAFTSMAN, o visite nuestro sitio web: **1-888-331-4569**.

Limpieza

 **ADVERTENCIA:** Sople la suciedad y el polvo de todos los conductos de ventilación con aire seco, al menos una vez por semana. Para reducir el riesgo de lesiones, utilice siempre protección para los ojos aprobada ANSI Z87.1 al realizar esta tarea.


 **ADVERTENCIA:** Nunca utilice solventes ni otros químicos abrasivos para limpiar las piezas no metálicas de la herramienta. Estos productos químicos pueden debilitar los materiales plásticos utilizados en estas piezas. Utilice un paño humedecido sólo con agua y jabón neutro. Nunca permita que penetre líquido dentro de la herramienta ni sumerja ninguna de las piezas en un líquido.

Lubricación y Protección Contra Óxido

Aplique semanalmente cera en pasta para pisos a la mesa de la máquina y a la extensión u otra superficie de trabajo. También puede usar productos protectores disponibles en comercios y diseñados con este propósito. Siga las instrucciones del fabricante para su uso y seguridad.

Para limpiar el óxido de las mesas de hierro fundido, necesitará los siguientes materiales: una almohadilla para fregar de tamaño mediano, una lata de lubricante en aerosol y una lata de desgrasador. Aplique el lubricante en aerosol y pula la superficie de la mesa con la almohadilla para fregar. Desgrase la mesa y luego aplique el producto protector como se muestra más arriba.

Reparaciones

 **ADVERTENCIA:** Para asegurar la SEGURIDAD y la CONFIABILIDAD del producto, las reparaciones, el mantenimiento y los ajustes (inclusive la inspección y el cambio de las escobillas, cuando proceda) deben ser realizados en un centro de mantenimiento en la fábrica CRAFTSMAN u en un centro de mantenimiento autorizado CRAFTSMAN. Utilice siempre piezas de repuesto idénticas.

Para reparación y servicio de sus herramientas eléctricas, favor de dirigirse al Centro de Servicio más cercano

CULIACAN, SIN

Bld. Emiliano Zapata 5400-1 Poniente Col. (667) 717 89 99
San Rafael

GUADALAJARA, JAL

Av. La Paz #1779 - Col. Americana Sector (33) 3825 6978
Juárez

MEXICO, D.F.

Eje Central Lázaro Cárdenas No. 18 - Local (55) 5588 9377
D, Col. Obrera

MERIDA, YUC

Calle 63 #459-A - Col. Centro (999) 928 5038

MONTERREY, N.L.

Av. Francisco I. Madero 831 Poniente - Col. (818) 375 23 13
Centro

PUEBLA, PUE

17 Norte #205 - Col. Centro (222) 246 3714

QUERETARO, QRO

Av. San Roque 274 - Col. San Gregorio (442) 2 17 63 14

SAN LUIS POTOSI, SLP

Av. Universidad 1525 - Col. San Luis (444) 814 2383

TORREON, COAH

Bld. Independencia, 96 Pte. - Col. Centro (871) 716 5265

VERACRUZ, VER

Prolongación Díaz Mirón #4280 - Col. (229) 921 7016
Remes

VILLAHERMOSA, TAB

Constitución 516-A - Col. Centro (993) 312 5111

PARA OTRAS LOCALIDADES:

Si se encuentra en México, por favor llame al (55) 5326 7100

Si se encuentra en U.S., por favor llame al 1-888-331-4569

Póliza de Garantía

IDENTIFICACIÓN DEL PRODUCTO:

Sello o firma del Distribuidor.

Nombre del producto: _____

Mod./Cat.: _____

Marca: _____

Núm. de serie: _____

(Datos para ser llenados por el distribuidor)

Fecha de compra y/o entrega del producto:

Nombre y domicilio del distribuidor donde se adquirió el producto:

Este producto está garantizado por un año a partir de la fecha de entrega, contra cualquier defecto en su funcionamiento, así como en materiales y mano de obra empleados para su fabricación. Nuestra garantía incluye la reparación o reposición del producto y/o componentes sin cargo alguno para el cliente, incluyendo mano de obra, así como los gastos de transportación razonablemente erogados derivados del cumplimiento de este certificado. Para hacer efectiva esta garantía deberá presentar su herramienta y esta póliza sellada por el establecimiento comercial donde se adquirió el producto, de no contar con ésta, bastará la factura de compra.

Excepciones

Esta garantía no será válida en los siguientes casos:

- Cuando el producto se hubiese utilizado en condiciones distintas a las normales;
- Cuando el producto no hubiese sido operado de acuerdo con el instructivo de uso que se acompaña;
- Cuando el producto hubiese sido alterado o reparado por personas distintas a las enlistadas al final de este certificado.

Anexo encontrará una relación de sucursales de servicio de fábrica, centros de servicio autorizados y franquiciados en la República Mexicana, donde podrá hacer efectiva su garantía y adquirir partes, refacciones y accesorios originales.

Solamente para propósito de México:

Importado por: Craftsman. Tool Co. S.A. de C.V.
 Avenida Antonio Dovali Jaime, # 70 Torre B Piso 9
 Colonia La Fe, Santa Fé
 Código Postal : 01210
 Delegación Alvaro Obregón
 México D.F.
 Tel. (52) 555-326-7100
 R.F.C.: BDE810626-1W7

Registro en Línea

Gracias por su compra. Registre su producto ahora para:

- **SERVICIO EN GARANTÍA:** Si completa esta tarjeta, podrá obtener un servicio en garantía más eficiente, en caso de que exista un problema con su producto.
- **CONFIRMACIÓN DE PROPIEDAD:** En caso de una pérdida que cubra el seguro, como un incendio, una inundación o un robo, el registro de propiedad servirá como comprobante de compra.
- **PARA SU SEGURIDAD:** Si registra el producto, podremos comunicarnos con usted en el caso improbable que se deba enviar una notificación de seguridad conforme a la Federal Consumer Safety Act (Ley Federal de Seguridad de Productos para el Consumidor).

Registro en línea en www.craftsman.com/registration.

Garantía Limitada por Tres Años

CRAFTSMAN reparará o reemplazará, sin cargo, cualquier defecto debido a materiales o mano de obra defectuosos por tres años desde la fecha de compra. Esta garantía no cubre falla de partes debido al desgaste normal o abuso de la herramienta. Para detalles adicionales de la cobertura de la garantía e información de reparación de garantía, visite www.craftsman.com o llame al **1-888-331-4569**. Esta garantía no se aplica a accesorios o daño causado cuando otros hayan realizado o intentado reparaciones. ESTA GARANTÍA LIMITADA SE OTORGA EN LUGAR DE TODAS LAS DEMÁS, INCLUIDA LA GARANTÍA IMPLÍCITA DE COMERCIABILIDAD E IDONEIDAD PARA UN PROPÓSITO EN PARTICULAR, Y EXCLUYE TODOS LOS DAÑOS INCIDENTALES O EN CONSECUENCIA. Algunos estados no permiten limitaciones sobre la duración de una garantía implícita o la exclusión o limitación de daños incidentales o en consecuencia, por lo que estas limitaciones pueden no aplicarse en su caso. Esta garantía le da derechos legales específicos y puede tener otros derechos que varían en ciertos estados o provincias.

GARANTÍA DE REEMBOLSO DE SU DINERO POR 90 DÍAS

Si no está completamente satisfecho con el desempeño de su máquina herramienta o clavadora CRAFTSMAN, cualquiera sea el motivo, podrá devolverlo hasta 90 días de la fecha de compra con su recibo y obtener el reembolso completo de su dinero – sin necesidad de responder a ninguna pregunta.

AMÉRICA LATINA: Esta garantía no se aplica a los productos que se venden en América Latina. Para los productos que se venden en América Latina, debe consultar la información de la garantía específica del país que viene en el empaque, llamar a la compañía local o visitar el sitio Web a fin de obtener esa información.

REEMPLAZO GRATUITO DE LAS ETIQUETAS DE

ADVERTENCIAS: Si sus etiquetas de advertencia se vuelven ilegibles o faltan, llame al **1-888-331-4569** para que se le reemplacen gratuitamente.

