

# CRAFTSMAN®

INSTRUCTION MANUAL | GUIDE D'UTILISATION | MANUAL DE INSTRUCCIONES

## **6.5 Amp String Trimmer/Edger Taille-bordure/Coupe-bordure 6,5 A Podadora/Bordeadora de cuerda de 6,5 Amps**

**CMEST913**



IF YOU HAVE QUESTIONS OR COMMENTS, CONTACT US.  
POUR TOUTE QUESTION OU TOUT COMMENTAIRE, NOUS CONTACTER.  
SI TIENE DUDAS O COMENTARIOS, CONTÁCTENOS.

**1-888-331-4569 WWW.CRAFTSMAN.COM**

---

English (**original instructions**)

1

---

Français (*traduction de la notice d'instructions originale*)

11

---

Español (*traducido de las instrucciones originales*)

22

---

## Definitions: Safety Alert Symbols and Words

This instruction manual uses the following safety alert symbols and words to alert you to hazardous situations and your risk of personal injury or property damage.

**!** **DANGER:** Indicates an imminently hazardous situation which, if not avoided, **will** result in **death or serious injury**.

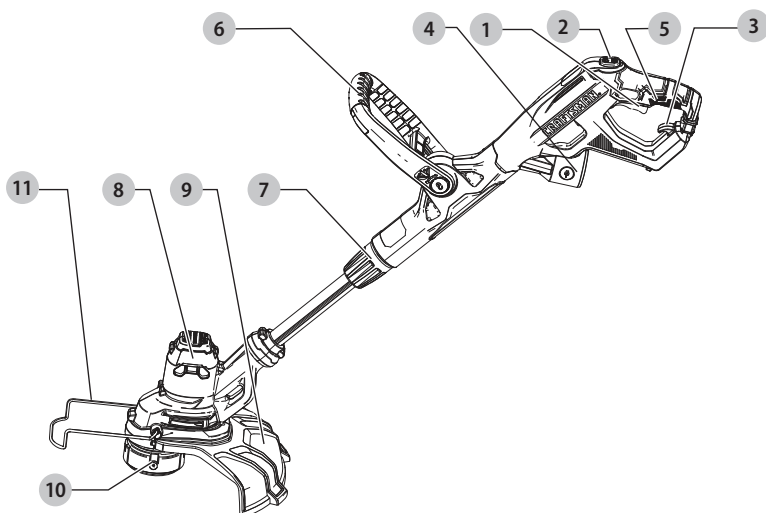
**!** **WARNING:** Indicates a potentially hazardous situation which, if not avoided, **could** result in **death or serious injury**.

**!** **CAUTION:** Indicates a potentially hazardous situation which, if not avoided, **may** result in **minor or moderate injury**.

**!** (Used without word) Indicates a safety related message.

**NOTICE:** Indicates a practice **not related to personal injury** which, if not avoided, **may** result in **property damage**.

Fig. A



**!** **WARNING:** Read all safety warnings and all instructions. Failure to follow the warnings and instructions may result in electric shock, fire and/or serious injury.

**!** **WARNING:** To reduce the risk of injury, read the instruction manual.

If you have any questions or comments about this or any product, call CRAFTSMAN toll free at: 1-888-331-4569.

- |                         |                    |
|-------------------------|--------------------|
| 1 On/Off trigger switch | 7 Collar           |
| 2 Feed button           | 8 Motor housing    |
| 3 Cord retainer         | 9 Guard            |
| 4 Power cord plug       | 10 Spool           |
| 5 Main handle           | 11 Wire edge guide |
| 6 Auxillary handle      |                    |

## 6.5 Amp String Trimmer/Edger CMEST913

### IMPORTANT SAFETY INSTRUCTIONS

#### **WARNING:** To reduce risk of injury:

- Before any use, be sure everyone using this unit reads and understands all safety instructions and other information contained in this manual.
- Save these instructions and review frequently.

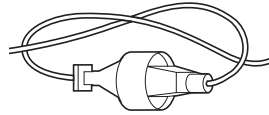
#### **WARNING:** When using electric gardening appliances, basic safety precautions should always be followed to reduce risk of fire, electric shock, and personal injury, including the following.

1. **Avoid Dangerous Environment** – Don't use appliances in damp or wet locations.
2. **Don't Use In Rain.**
3. **Keep Children Away** – All visitors should be kept at a distance from work area.
4. **Dress Properly** – Do not wear loose clothing or jewelry. They can be caught in moving parts. Use of rubber gloves and substantial footwear is recommended when working outdoors. Wear protective hair covering to contain long hair.
5. **Use Safety Glasses** – Always use face or dust mask if operation is dusty.
6. **Use Right Appliance** – Do not use appliance for any job except that for which it is intended.
7. **Ground Fault Circuit Interrupter (GFCI) protection should be provided on the circuit(s) or outlet(s) to be used for the gardening appliance.** Receptacles are available having built-in GFCI protection and may be used for this measure of safety.
8. **Warning** – To reduce the risk of electric shock, use only with an extension cord intended for outdoor use, such as an extension cord of cord type SW-A, SOW-A, STW-A, STOW-A, SJW-A, SJOW-A, SJTW-A, or SJTOW-A.
9. **Extension Cord** – Make sure your extension cord is in good condition. When using an extension cord, be sure to use one heavy enough to carry the current your product will draw. An undersized extension cord will cause a drop in line voltage resulting in loss of power and overheating. **Minimum Gauge for Cord Sets, shows the correct size to use depending on cord length and nameplate ampere rating. If in doubt, use the next heavier gauge. The smaller the gauge number, the heavier the cord.** To reduce the risk of disconnection of appliance cord from the extension cord during operating:
  - i) Make a knot as shown in Figure B; or
  - ii) Use one of the plug-receptacle retaining straps or connectors described in this manual.

OR

iii) Secure the extension cord to the appliance plug as shown or described in **Assembly and Adjustments.**

Fig. B



10. **Avoid Unintentional Starting** – Don't carry plugged-in appliance with finger on switch. Be sure switch is off when plugging in.
11. **Don't Abuse Cord** – Never carry appliance by cord or yank it to disconnect from receptacle. Keep cord from heat, oil, and sharp edges.
12. **Don't grasp the exposed cutting blades or cutting edges when picking up or holding the appliance.**
13. **Don't Force Appliance** – It will do the job better and with less likelihood of a risk of injury at the rate for which it was designed.
14. **Don't Overreach** – Keep proper footing and balance at all times.
15. **Stay Alert** – Watch what you are doing. Use common sense. Do not operate appliance when you are tired.
16. **Disconnect Appliance** – Disconnect the appliance from the power supply when not in use, before servicing, when changing accessories such as blades, and the like.
17. **Store Idle Appliances Indoors** – When not in use, appliances should be stored indoors in dry, and high or locked-up place – out of reach of children.
18. **Maintain Appliance With Care** – Keep cutting edge sharp and clean for best performance and to reduce the risk of injury. Follow instructions for lubricating and changing accessories. Inspect appliance power source periodically, and if damaged, have it repaired by an authorized service facility. Inspect extension cords periodically and replace if damaged. Keep handles dry, clean, and free from oil and grease.
19. **Check Damaged Parts** – Before further use of the appliance, a guard or other part that is damaged should be carefully checked to determine that it will operate properly and perform its intended function. Check for alignment of moving parts, binding of moving parts, breakage of parts, mounting, and any other condition that may affect its operation. A guard or other part that is damaged should be properly repaired or replaced by an authorized service center unless indicated elsewhere in this manual.

**SAVE THESE INSTRUCTIONS**

## Additional Safety Warnings

**⚠ WARNING:** To reduce the risk of rebound (ricochet) injury, work going away from any nearby solid object such as wall, steps, large stone, tree, etc.

**⚠ CAUTION:** When replacing the line, use only 0.065" (1.65 mm) diameter round line. Other diameters or shapes may degrade performance or cause damage to the trimmer. Do not use materials such as metal wire.

**⚠ WARNING:** Do not remove guard. The guard must be attached during use.

- **GUARD** – Do not use this appliance without guard attached.
- **DRESS PROPERLY** – Do not wear loose clothing or jewelry. They can be caught in moving parts. Gloves and substantial rubber soled footwear are recommended when working outdoors. Don't operate the appliance when barefoot or wearing open sandals. Wear heavy long pants to protect your legs. Wear protective hair covering to contain long hair.
- **KEEP FACE, HANDS AND FEET CLEAR OF ROTATING NYLON LINE AT ALL TIMES.** The rotating line performs a cutting function use care when trimming around screens and desirable plantings.
- **KEEP ALL BYSTANDERS AWAY** – at a safe distance from work area, especially children. **MAKE SURE** that other persons and pets are at least 100' (30 m) away.
- **USE GREAT CARE** when working close to solid objects and where necessary, do trimming by hand.
- **AVOID ACCIDENTALLY STARTING** – Don't carry with finger on trigger when tool is plugged in.
- **DAMAGE TO UNIT** – If you strike or become entangled with a foreign object, stop appliance immediately, unplug tool, check for damage and have any damage repaired before further operation is attempted. Do not operate with a broken hub or spool.
- **DO NOT OPERATE** portable electric appliances in gaseous or explosive atmospheres. Motors in these appliances normally spark, and the sparks might ignite fumes.
- **STAY ALERT** – Do not operate this unit when you are tired, ill, or under the influence of alcohol, drugs, or medication.
- **DO NOT** immerse appliance in water or squirt it with a hose.
- **DO NOT** allow any liquid to get inside it. If appliance does get wet, allow to dry for a minimum of 48 hours.
- **DO NOT** clean with a pressure washer.
- **DO NOT** store the appliance on or adjacent to fertilizers or chemicals.

**⚠ WARNING:** Do not use appliance if the switch trigger does not turn the appliance on or off. Any appliance that can not be controlled with the switch trigger is dangerous and must be repaired.

## Additional Safety Information

**⚠ WARNING:** Never modify the power tool or any part of it. Damage or personal injury could result.

**⚠ WARNING:** **ALWAYS** use safety glasses. Everyday eyeglasses are **NOT** safety glasses. Also use face or dust mask if operation is dusty. **ALWAYS WEAR CERTIFIED SAFETY EQUIPMENT:**

- ANSI Z87.1 eye protection (CAN/CSA Z94.3),
- ANSI S12.6 (S3.19) hearing protection,
- NIOSH/OSHA/MSHA respiratory protection.

**⚠ WARNING:** Some dust contains chemicals known to State of California to cause cancer, birth defects or other reproductive harm. Some examples of these chemicals are:

- compounds in fertilizers,
- compounds in insecticides, herbicides and pesticides,
- arsenic and chromium from chemically treated lumber.

To reduce your exposure to these chemicals, wear approved safety equipment such as dust masks that are specially designed to filter out microscopic particles.

**⚠ WARNING:** Use of this tool can generate and/or disperse dust, which may cause serious and permanent respiratory or other injury. Always use NIOSH/OSHA approved respiratory protection appropriate for the dust exposure. Direct particles away from face and body.

**⚠ WARNING:** Always wear proper personal hearing protection that conforms to ANSI S12.6 (S3.19) during use. Under some conditions and duration of use, noise from this product may contribute to hearing loss.

**⚠ CAUTION:** When not in use, place tool on its side on a stable surface where it will not cause a tripping or falling hazard. Some tools will stand upright but may be easily knocked over.

- **Air vents often cover moving parts and should be avoided.** Loose clothes, jewelry or long hair can be caught in moving parts.
- **An extension cord must have adequate wire size (AWG or American Wire Gauge) for safety.** The smaller the gauge number of the wire, the greater the capacity of the cable, that is, 16 gauge has more capacity than 18 gauge. An undersized cord will cause a drop in line voltage resulting in loss of power and overheating. When using more than one extension to make up the total length, be sure each individual extension contains at least the

minimum wire size. The following table shows the correct size to use depending on cord length and nameplate ampere rating. If in doubt, use the next heavier gauge. The lower the gauge number, the heavier the cord.

Volts		Total Length of Cord in Feet (meters)			
120 V		25 (7.6)	50 (15.2)	100 (30.5)	150 (45.7)
240 V		50 (15.2)	100 (30.5)	200 (61.0)	300 (91.4)
Ampere Rating		American Wire Gauge			
More Than	Not More Than				
0	6	18	16	16	14
6	10	18	16	14	12
10	12	16	16	14	12
12	16	14	12	Not Recommended	

The label on your tool may include the following symbols. The symbols and their definitions are as follows:

- V ..... volts
- Hz ..... hertz
- min ..... minutes
- or DC ..... direct current
- Ⓢ ..... Class I Construction (grounded)
- ... /min ..... per minute
- BPM ..... beats per minute
- IPM ..... impacts per minute
- RPM ..... revolutions per minute
- sfpm ..... surface feet per minute
- SPM ..... strokes per minute
- OPM ..... oscillations per minute
- A ..... amperes
- W ..... watts
- ~ or AC ..... alternating current
- ⏚ or AC/DC ..... alternating or direct current
- Ⓢ ..... Class II Construction (double insulated)
- n<sub>0</sub> ..... no load speed
- n ..... rated speed
- Ⓢ ..... earthing terminal
- ⚠ ..... safety alert symbol
- ⚠ ..... visible radiation
- ⚠ ..... avoid staring at light
- Ⓢ ..... wear respiratory protection
- Ⓢ ..... wear eye protection
- Ⓢ ..... wear hearing protection
- Ⓢ ..... read all documentation
- IPXX ..... IP symbol

### Motor

Be sure your power supply agrees with the nameplate marking. Voltage decrease of more than 10% will cause loss of power and overheating. These tools are factory tested; if this tool does not operate, check power supply.

### Intended Use

This appliance is designed for residential outdoor trimming applications.

**DO NOT** use under wet conditions or in presence of flammable liquids or gases.

**DO NOT** let children come into contact with the tool. Supervision is required when inexperienced operators use this tool.

## ASSEMBLY AND ADJUSTMENTS

**WARNING:** To reduce the risk of serious personal injury, turn unit off and disconnect it from power source before making any adjustments or removing/installing attachments or accessories. An accidental start-up can cause injury.

**WARNING:** Unplug the trimmer before attempting to attach the guard, EDGE GUIDE OR HANDLE. NEVER OPERATE TOOL WITHOUT GUARD FIRMLY IN PLACE. THE GUARD MUST ALWAYS BE ON THE TOOL TO PROTECT THE USER.

### Attaching the Guard (Fig. C, D)

**WARNING:** NEVER OPERATE TRIMMER WITHOUT GUARD FIRMLY IN PLACE.

1. Turn the trimmer upside down so that you are looking down at the spool **10**.
2. Remove the screw from the guard with a Phillips screwdriver.
3. Turn the guard **9** upside down and slide it fully onto the motor housing **8**. Make sure the tabs **12** on the guard engage the ribs **13** on the motor housing as shown in Fig. D. The locking tab **14** should have snapped into the housing slot **15**.
4. Continue to slide the guard on until you hear it “snap” into place.
5. Insert the guard screw to complete the guard assembly.
6. Once the guard is installed, remove the covering from the line cut-off blade, located on the edge of the guard.

Fig. C

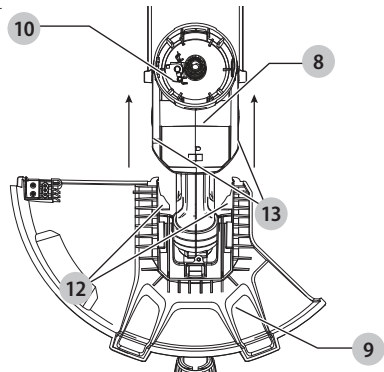
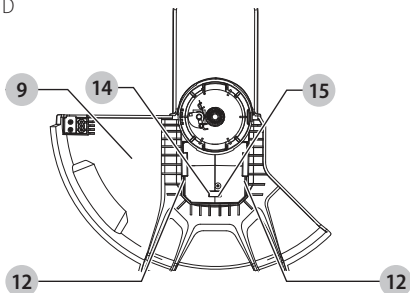


Fig. D



### Attaching the Auxiliary Handle (Fig. E, F, G)

1. To attach the handle **6**, press in on the buttons **16** on both sides of the upper housing as shown in Fig. E.
2. Position the handle as shown in Fig. F, matching up the grooved side of the handle with the grooved button. Partially push the handle on so that it will hold the buttons in when you release them with your hand.
3. Push the handle completely onto the housing and position it slightly until it "snaps" into place.
4. To adjust the handle up or down, press in on the button and raise or lower the handle as shown in Fig. G.
5. The handle should be adjusted so that your front arm is straight when the trimmer is in the working position. Fig. E

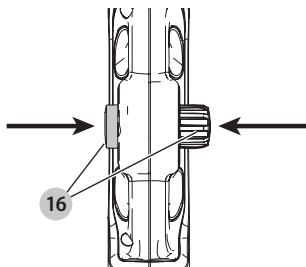


Fig. F

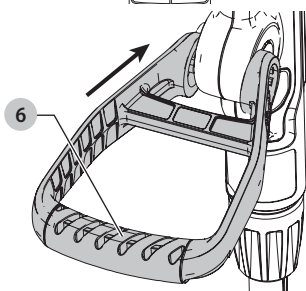
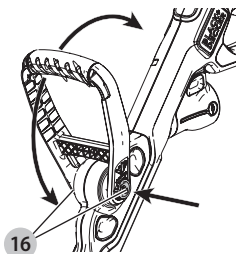


Fig. G



### Attaching Extension Cord (Fig. A)

An extension cord retainer **3** is built into the switch handle that prevents the cord from coming unplugged.

1. To use this feature, simply double the extension cord about 8" (203 mm) from the end, and loop it around the cord retainer **3**. Gently tug on the cord to insure that it is firmly retained in the trimmer's handle.
2. Plug the receptacle end of the extension cord into the power cord plug **4** in the trimmer.

### Releasing the Cutting Line

For shipping purposes, the cutting line is taped to the spool housing.

1. Remove the tape holding the cutting line to the spool housing.
2. See **Replacing the Spool** for instructions for removing the spool.

### OPERATION

**WARNING:** To reduce the risk of serious personal injury, turn unit off and disconnect it from power source before making any adjustments or removing/installing attachments or accessories. An accidental start-up can cause injury.

**WARNING:** Always use proper eye protection that conforms to ANSI Z87.1 (CAN/CSA Z94.3) while operating this appliance.

**CAUTION:** Before you begin trimming, only use the appropriate type of cutting line.

**CAUTION:** Inspect area to be trimmed and remove any wire, cord, or string-like objects which could become entangled in the rotating line or spool. Be particularly careful to avoid any wire which might be bent outwardly into the path of the trimmer, such as barbs at the base of a chain link fence.

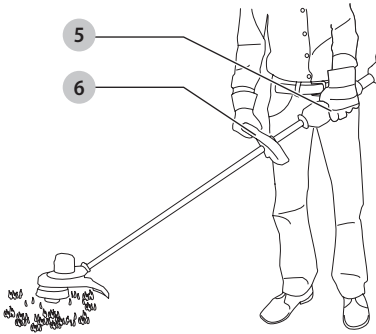
### Proper Hand Position (Fig. H)

**WARNING:** To reduce the risk of serious personal injury, ALWAYS use proper hand position as shown.

**WARNING:** To reduce the risk of serious personal injury, ALWAYS hold securely in anticipation of a sudden reaction.

Proper hand position requires one hand on the main handle **5** and one hand on the auxiliary handle **6**.

Fig. H



### Switching On and Off (Fig. A)

To switch the trimmer on, squeeze the trigger switch ①.

To switch the trimmer off, release the trigger switch.

### Operating the Trimmer (Fig. I, J, K)

With the trimmer on, angle it and swing side to side as shown in Fig. I.

Maintain a minimum distance of 24" (610 mm) between the guard and your feet as shown in Fig. J.

Maintain a cutting angle of 5° to 10° as shown in Fig. K. Do not exceed 10° (Fig. K). Cut with the tip of the line.

Fig. I

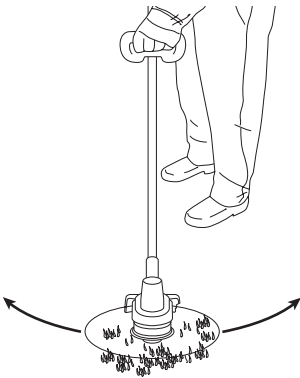


Fig. J

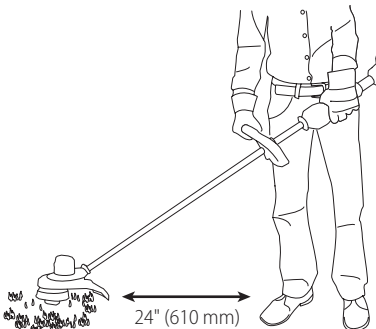


Fig. K



### Feed Button (Fig. A)

The feed feature allows you to advance the length of cutting line available while trimming.

To extend the cutting line, fully depress the feed button ② while trimming and then release.

**NOTE:** The trimmer will stop cutting when the feed button is pressed and will resume cutting when released.

- For maximum line length, press the button multiple times until you hear the cutting line hitting the guard.

**NOTE:** Do not continue to press the feed button once the maximum length is reached. This will result in overfeeding and will consume string quickly.

**NOTE:** It is normal for a small amount of line to feed when you start the trimmer. This helps ensure you are working with a full swath size.

### Convert to Edging Mode (Fig. A, L)

The trimmer can be used in trimming mode or edging mode to trim overhanging grass along lawn edges and flower beds.

**⚠ WARNING:** Disconnect the plug from the power source before making any adjustments.

**⚠ WARNING:** When being used as an edger, stones, pieces of metal and other objects can be thrown out at high speed by the line. The trimmer and guard are designed to reduce the danger. However, MAKE SURE that other persons and pets are at least 100' (30 m) away.

1. To operate as a maintenance edger, turn the collar ⑦ as shown in Fig. L.
2. Hold the metal shaft and rotate the lower housing 180° as shown in Fig. L.
3. Turn the collar back until tight.

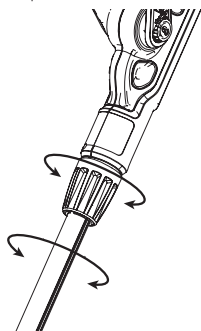
**NOTE:** The metal shaft and housing will only rotate in one direction.

4. Pull the edge guide ⑪ out of the motor housing ⑧ until it clicks into place. Ensure it is full engaged and can't be easily pushed back into the housing before edging.



- To return to the trimming position, loosen the lock collar and rotate the lower housing back 180° and retightening the collar.
- Pull the edge guide **11** up and onto the motor housing **8** until it clicks into place.

Fig. L



## Edging (Fig. A, M)

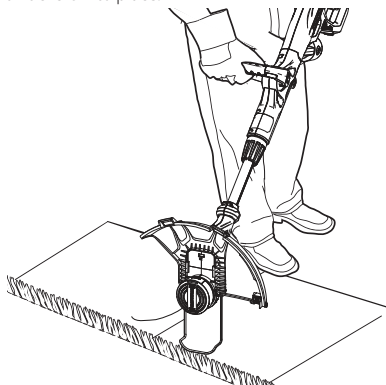
Optimum cutting results are achieved on edges deeper than 2" (50 mm). Do not use this trimmer to create trenches.

- Using the edge guide, guide the trimmer as shown in Fig. M.
- Position the edge guide on the edge of the sidewalk or abrasive surface so the cutting line is over the grass or dirt area to be edged.

**NOTE:** You will experience faster than normal cutting line wear if the edge guide is positioned too far from the edge with the cutting line positioned over the sidewalk or abrasive surface.

- To make a closer cut, slightly tilt the trimmer.
- Return to the trimming position by loosening the lock collar and rotating the lower housing back 180°. The tool will lock in the trimmer position.
- Pull the edge guide **11** up and onto the motor housing **8** until it clicks into place.

Fig. M



## Cutting Line / Line Feeding (Fig. M)

Your trimmer uses .065" (1.65 mm) diameter, ROUND nylon line. During use, the tips of the nylon lines will become frayed and worn. Press the feed button to feed and trim a fresh length of line. Cutting line will wear faster and

require more feeding if the cutting or edging is done along sidewalks or other abrasive surfaces or heavier weeds are being cut. Do not bump trimmer on ground in attempt to feed line or for any other purposes.

## Helpful Cutting Tips

- Use the tip of the string to do the cutting; do not force string head into uncut grass.
- Wire and picket fences cause extra string wear, even breakage. Stone and brick walls, curbs, and wood may wear string rapidly.
- Do not allow spool cap to drag on ground or other surfaces.
- In long growth, cut from the top down and do not exceed 12" (304.8 mm) high.
- Keep trimmer tilted toward the area being cut; this is the best cutting area.
- The trimmer cuts when passing the unit from the left to right. This will avoid throwing debris at the operator.
- Avoid trees and shrubs. Tree bark, wood moldings, siding, and fence posts can easily be damaged by the string.

## MAINTENANCE

**⚠ WARNING:** *To reduce the risk of serious personal injury, turn unit off and disconnect it from power source before making any adjustments or removing/installing attachments or accessories. An accidental start-up can cause injury.*

- Keep the air intake slots clean to avoid overheating.
- Your trimmer line can dry out over time. To keep your line in top condition, store spare pre-wound spools or bulk line in a plastic, sealable bag with a tablespoon of water.
- Plastic parts may be cleaned by using a mild soap and a damp rag.
- The line cutter on the edge of the guard can dull over time. It is recommended you periodically touch-up the sharpness of the blade with a file.

## Cleaning

**⚠ WARNING:** *Blow dirt and dust out of all air vents with clean, dry air at least once a week. To minimize the risk of eye injury, always wear ANSI Z87.1 approved eye protection when performing this procedure.*

**⚠ WARNING:** *Never use solvents or other harsh chemicals for cleaning the non-metallic parts of the tool. These chemicals may weaken the plastic materials used in these parts. Use a cloth dampened only with water and mild soap. Never let any liquid get inside the tool; never immerse any part of the tool into a liquid.*

## Accessories

**WARNING:** *Since accessories, other than those offered by CRAFTSMAN, have not been tested with this product, use of such accessories with this tool could be hazardous. To reduce the risk of injury, only CRAFTSMAN recommended accessories should be used with this product.*

Recommended accessories for use with your tool are available at extra cost from your local dealer or authorized service center. If you need assistance in locating any accessory, please contact CRAFTSMAN call 1-888-331-4569.

Use CRAFTSMAN replacement spool no. CMZST065.

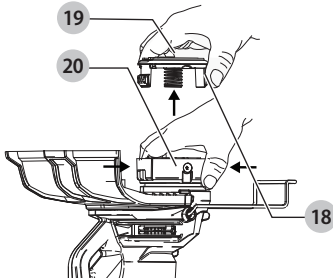
Reload nylon line (either bulk or prewound replacement spool) as shown in this manual.

- USE ONLY .065" (1.65 mm) DIAMETER ROUND NYLON LINE. Do not use serrated or heavier gauge line, as they will overload the motor and cause overheating. This line is available at your local dealer or authorized service center.
- Other replacement parts (guards, spool caps, etc.) are available through CRAFTSMAN service centers. To find your local service location call: 888-331-4569 or visit [www.craftsman.com](http://www.craftsman.com).

## Replacing the Spool (Fig. N, O, P, Q)

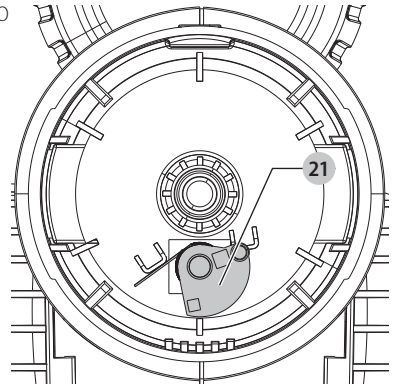
1. Unplug trimmer.
2. Depress the tabs **18** and remove the spool cap **19** from the spool housing **20** in the trimmer head (Fig. N).

Fig. N



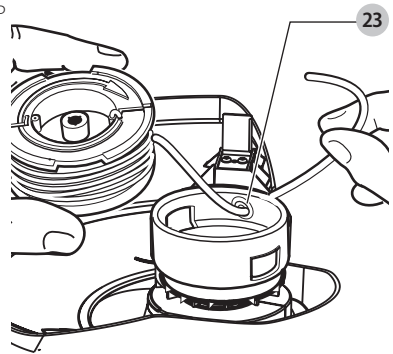
3. For best results, replace spool with CRAFTSMAN model no. CMZST065.
4. Grasp empty spool with one hand and spool housing with other hand and pull spool out.
5. If lever **21** (Fig. O) in base of housing becomes dislodged, replace in correct position before inserting new spool into housing.

Fig. O



6. Remove any dirt and grass from the spool and housing.
7. Unfasten the end of the cutting line and guide the line into the eyelet **23** (Fig. P).

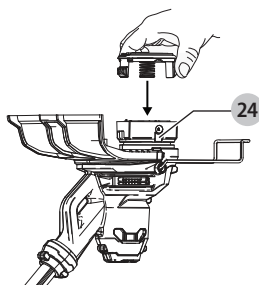
Fig. P



8. Take the new spool and push it onto the boss in the housing. Rotate the spool slightly until it is seated. The line should protrude approximately 5-3/8" (136 mm) from the housing.
9. Align the tabs on the spool cap with the slots **24** in the housing (Fig. Q).
10. Push the cap onto the housing until it snaps securely into place.

**CAUTION:** *To avoid trimmer damage, if the cutting line protrudes beyond the trimming blade, cut it off so that it just reaches the blade.*

Fig. Q



## Rewinding Spool From Bulk Line (Fig. R, S, T)

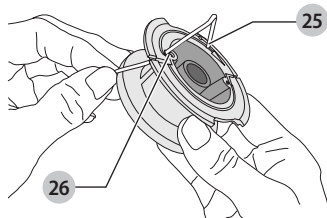
(use only .065" [1.65 mm] ROUND diameter line)

Bulk line is also available for purchase from your local retailer. **NOTE:** Hand wound spools from bulk line are likely to become tangled more frequently than CRAFTSMAN factory wound spools. For best results, factory wound spools are recommended.

To install bulk line, follow the steps below:

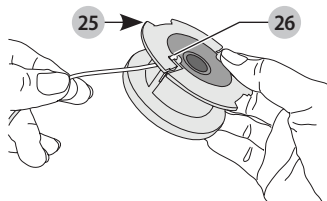
1. Unplug trimmer.
2. Remove the empty spool from the trimmer as described in **Replacing the Spool**.
3. Remove any remaining cutting line from the spool.
4. Make a fold at the end of the cutting line at about 3/4" (19 mm) **25**. Feed the cutting line into one of the line anchoring slots **26** as shown in Fig. R.

Fig. R



5. Insert the 3/4" (19 mm) **25** end of the bulk line into the hole **26** in the spool adjacent to the slot as shown in Fig. S. Make sure the line is pulled tight against the spool as shown in Fig. T.

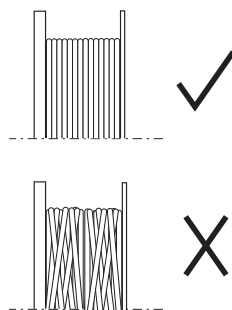
Fig. S



6. Wind the cutting line onto the spool in the direction of the arrow on the spool. Make sure to wind the line on neatly and in layers. Do not crisscross (Fig. T).
7. When the wound cutting line reaches the recesses, cut the line.
8. Fit the spool onto the trimmer as described in **Replacing the Spool**.

**CAUTION:** Before you begin trimming, only use the appropriate type of cutting line.

Fig T



## Repairs

**WARNING:** To assure product SAFETY and RELIABILITY, repairs, maintenance and adjustment (including power cord repairs, and brush inspection and replacement, when applicable) should be performed by a CRAFTSMAN factory service center or a CRAFTSMAN authorized service center. Always use identical replacement parts.

## Versatrack™ (Fig. U)

**WARNING:** To reduce the risk of serious personal injury, turn unit off and disconnect it from power source and before making any adjustments or removing/installing attachments or accessories. An accidental start-up can cause injury.

**WARNING:** To reduce the risk of serious personal injury, do not use a damaged Versatrack™ integral hang hook or Versatrack™ Trackwall. A damaged Versatrack™ integral hang hook or Versatrack™ Trackwall will not support the weight of the tool.

**WARNING:** To reduce the risk of serious personal injury, DO NOT suspend tool overhead or suspend objects from the integral hang hook. ONLY suspend tool on the Versatrack™ Trackwall using the integral hang hook.

**⚠ WARNING:** *The Versatrack™ integral hang hook is intended to mount the tool onto a Versatrack™ Trackwall rail. Do not use the integral hang hook to mount the tool to any other surface.*

**⚠ WARNING:** *The Versatrack™ integral hang hook is not a belt hook.*

**⚠ WARNING:** *When hanging objects on a Versatrack™ Trackwall rail, adequately space the tools in order to not exceed 75 lb (35 kg) per linear foot.*

**⚠ WARNING:** *Before using the tool make sure that the Versatrack™ integral hang hook is returned to its original position.*

**IMPORTANT:** Versatrack™ accessories mount compatible tools securely to the Versatrack™ Trackwall system.

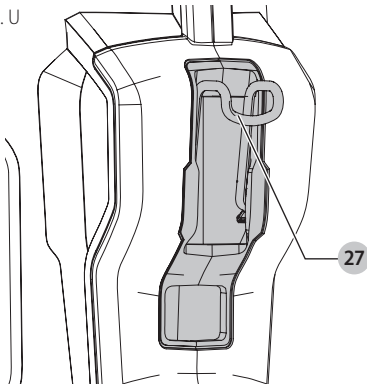
1. Turn tool off, disconnect it from power source and remove accessories.

**⚠ CAUTION:** *Any product with exposed cutting teeth must have them covered securely if it is to be on the Versatrack™ Trackwall.*

2. Flip or pull open the integral hang hook **27**. It clicks when locked into position.
3. Mount the integral hang hook to the Versatrack™ Trackwall.

**NOTE:** Versatrack™ accessories for use with your tool are available at extra cost from your local dealer or authorized service center. If you need assistance in locating any accessory, please contact CRAFTSMAN, call **1-888-331-4569**.

Fig. U



## Register Online

Thank you for your purchase. Register your product now for:

- **WARRANTY SERVICE:** Registering your product will help you obtain more efficient warranty service in case there is a problem with your product.
- **CONFIRMATION OF OWNERSHIP:** In case of an insurance loss, such as fire, flood or theft, your registration of ownership will serve as your proof of purchase.
- **FOR YOUR SAFETY:** Registering your product will allow us to contact you in the unlikely event a safety notification is required under the Federal Consumer Safety Act.
- Register online at [www.craftsman.com/registration](http://www.craftsman.com/registration)

## Three Year Limited Warranty

CRAFTSMAN will repair or replace, without charge, any defects due to faulty materials or workmanship for three years from the date of purchase. This warranty does not cover part failure due to normal wear or tool abuse. For further detail of warranty coverage and warranty repair information, visit [www.craftsman.com](http://www.craftsman.com) or call **1-888-331-4569**. This warranty does not apply to accessories or damage caused where repairs have been made or attempted by others. THIS LIMITED WARRANTY IS GIVEN IN LIEU OF ALL OTHERS, INCLUDING THE IMPLIED WARRANTY OF MERCHANTABILITY AND FITNESS FOR A PARTICULAR PURPOSE, AND EXCLUDES ALL INCIDENTAL OR CONSEQUENTIAL DAMAGES. Some states do not allow limitations on how long an implied warranty lasts or the exclusion or limitation of incidental or consequential damages, so these limitations may not apply to you. This warranty gives you specific legal rights and you may have other rights which vary in certain states or provinces.

### 90 DAY MONEY BACK GUARANTEE

If you are not completely satisfied with the performance of your CRAFTSMAN Power Tool or Nailer for any reason, you can return it within 90 days from the date of purchase with a receipt for a full refund – no questions asked.

**LATIN AMERICA:** This warranty does not apply to products sold in Latin America. For products sold in Latin America, see country specific warranty information contained in the packaging, call the local company or see website for warranty information.

**FREE WARNING LABEL REPLACEMENT:** If your warning labels become illegible or are missing, call **1-888-331-4569** for a free replacement.

## Définitions : symboles et termes d'alarmes sécurité

Ces guides d'utilisation utilisent les symboles et termes d'alarmes sécurité suivants pour vous prévenir de situations dangereuses et de risques de dommages corporels ou matériels.

**! DANGER :** indique une situation dangereuse imminente qui, si elle n'est pas évitée, **entraînera la mort ou des blessures graves.**

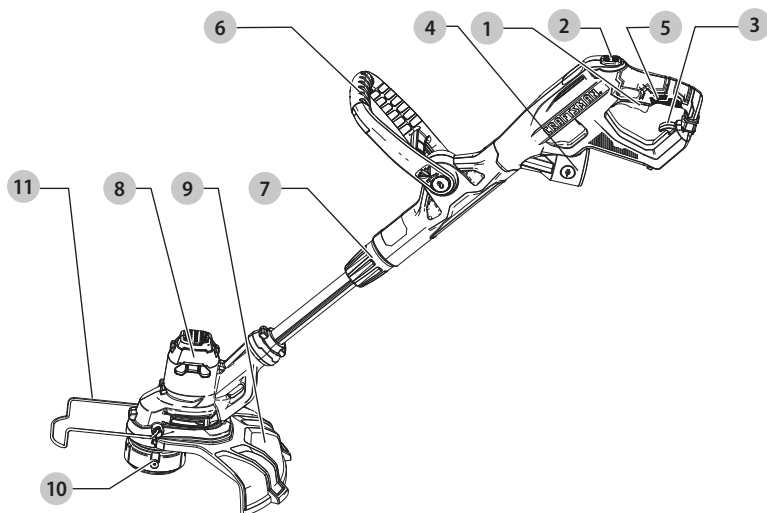
**! AVERTISSEMENT :** indique une situation potentiellement dangereuse qui, si elle n'est pas évitée, **pourrait entraîner la mort ou des blessures graves.**

**! ATTENTION :** indique une situation potentiellement dangereuse qui, si elle n'est pas évitée, **pourrait entraîner des blessures légères ou modérées.**

**! (Si utilisé sans aucun terme)** Indique un message propre à la sécurité.

**AVIS :** indique une pratique ne posant **aucun risque de dommages corporels** mais qui par contre, si rien n'est fait pour l'éviter, **pourrait poser des risques de dommages matériels.**

Fig. A



- |                                    |                         |
|------------------------------------|-------------------------|
| 1 Gâchette                         | 6 Poignée auxiliaire    |
| 2 Bouton Alimentation              | 7 Serre-tige            |
| 3 Crochets d'enroulement du cordon | 8 Carcasse moteur       |
| 4 Fiche du cordon d'alimentation   | 9 Protecteur            |
| 5 Poignée principale               | 10 Bobine               |
|                                    | 11 Guide de bord du fil |

**! AVERTISSEMENT :** lire tous les avertissements de sécurité et toutes les directives. Le non-respect des avertissements et des directives pourrait se solder par un choc électrique, un incendie et/ou une blessure grave.

**! AVERTISSEMENT :** afin de réduire le risque de blessures, lire le mode d'emploi de l'outil.

Pour toute question ou remarque au sujet de cet outil ou de tout autre outil CRAFTSMAN composez le numéro sans frais : 1-888-331-4569.

**CONSIGNES IMPORTANTES DE SÉCURITÉ**

**AVERTISSEMENT :** afin de réduire le risque de blessure :

- Avant toute utilisation, assurez-vous que toutes les personnes qui utiliseront l'outil lisent et comprennent toutes les consignes de sécurité et les autres renseignements compris dans le présent manuel.
- Conservez ces instructions et consultez-les souvent.

**AVERTISSEMENT :** lors de l'utilisation d'outils de jardinage électriques, les mesures de précaution de base devraient toujours être prises pour réduire la possibilité d'incendie, de choc électrique et de blessures, en suivant les recommandations suivantes.

1. **Évitez les environnements dangereux** – ne pas utiliser des appareils dans des endroits humides ou mouillés.
2. **Ne pas utiliser sous la pluie.**
3. **Gardez les enfants éloignés** – tous les visiteurs devraient être gardés à une distance sécuritaire de l'aire de travail.
4. **Portez des vêtements appropriés** – ne pas porter des vêtements amples ou des bijoux. Ils peuvent se coincer dans les pièces qui se déplacent. L'utilisation de gants en caoutchouc et de très bonnes chaussures est recommandée lors du travail extérieur. Portez une protection pour vos cheveux afin de les retenir.
5. **Utilisez des lunettes de sécurité** – utilisez un masque facial ou antipoussières s'il y a de la poussière durant l'utilisation.
6. **Utilisez le bon outil** – ne pas utiliser cet outil pour toute tâche autre que celles pour lesquelles il est conçu.
7. **La protection du disjoncteur différentiel de fuite à la terre (DDFT) doit être fournie sur le ou les circuits ou la ou les prises utilisés pour l'outil de jardinage.** Les connecteurs femelles sont disponibles avec une protection DDFT intégrée et peuvent être utilisés pour cette mesure de sécurité.
8. **Afin de réduire le risque de choc électrique, utilisez seulement avec une rallonge conçue pour l'utilisation à l'extérieur, comme une rallonge de type SW-A, SOW-A, STW-A, STOW-A, SJW-A, SJOW-A, SJTW-A ou SJTOW-A.**
9. **Rallonge :** Assurez-vous que votre rallonge est en bon état. Lorsque vous utilisez une rallonge, assurez-vous d'utiliser un calibre suffisamment lourd pour faire circuler le courant qui sera acheminé au produit. Une rallonge de taille inférieure entraînera une chute de tension de secteur ce qui causera une perte de puissance et une surchauffe. Le tableau

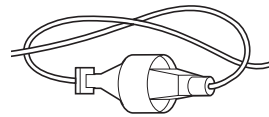
**54.1 affiche la bonne taille à utiliser selon longueur de cordon et l'intensité nominale de la plaque signalétique. En cas de doute, utilisez le calibre le plus lourd suivant. Plus le numéro de calibre est bas, plus le cordon est lourd.** Afin de réduire le risque de débranchement du cordon de l'outil de la rallonge durant le fonctionnement :

- i) Faites un nœud comme illustré dans la Figure B; ou
- ii) Utilisez une des sangles de fixation du connecteur femelle de la fiche ou les connecteurs décrits dans ce guide.

OU

- iii) Branchez bien la rallonge avec la fiche de l'appareil comme illustré ou décrit dans le mode d'emploi.

Fig. B



10. **Évitez les démarrages accidentels : ne pas transporter l'outil branché avec votre doigt sur la gâchette.** Assurez-vous que la gâchette est éteinte avant de brancher.
11. **Ne pas abuser du cordon : Ne jamais transporter l'outil par le cordon ou tirez celui-ci d'un coup sec pour le débrancher de la prise.** Gardez le cordon hors de portée de la chaleur, de l'huile, les bords coupants.
12. **Ne pas saisir les lames de coupe exposées ou les bords coupants lorsque vous prenez ou tenez l'appareil.**
13. **Ne pas forcer l'outil** – le travail sera mieux fait et avec moins de probabilité de risque à la vitesse pour laquelle il a été conçu.
14. **Ne pas s'étirer** – maintenez vos pieds bien d'aplomb sur le sol et un bon équilibre en tout temps.
15. **Demeurez vigilant** – regardez ce que vous faites. Faites preuve de bon sens. Ne pas utiliser l'appareil lorsque vous êtes fatigué.
16. **Débranchez l'appareil** – débranchez l'appareil de l'alimentation lorsque vous ne l'utilisez pas, avant de réparer, lorsque vous changez les accessoires comme les lames et autres.
17. **Entreposez les outils arrêtés à l'intérieur** – lorsqu'ils ne sont pas utilisés, les outils doivent être entreposés à l'intérieur dans un endroit sec et élevé ou verrouillé hors de portée des enfants.
18. **Entretenez soigneusement l'outil** – gardez bords coupants aiguisés et nettoyez pour une meilleure performance et afin de réduire le risque de blessure. Pour lubrifier l'outil et remplacer les accessoires, suivez les


directives du manuel. Inspectez régulièrement la source d'alimentation et si elle est endommagée, faites-la réparer dans un établissement de services autorisé. Inspectez régulièrement les rallonges et remplacez-les si elles sont endommagées. Gardez vos mains sèches, propres et exemptes de graisse et de poussière.

19. **Vérifiez les pièces endommagées** – avant toute utilisation ultérieure de l'outil, un protecteur ou une autre pièce qui est endommagé doit être soigneusement vérifié afin de déterminer s'il fonctionnera correctement et s'il effectuera la fonction prévue. Vérifiez l'alignement des pièces qui se déplacent, les fixations des pièces qui se déplacent, le bris des pièces, le montage et tout autre état qui peut affecter son utilisation. Un protecteur ou une autre pièce qui est endommagé doit être convenablement réparé ou remplacé par un centre de services autorisé sauf si c'est indiqué ailleurs dans ce manuel.

## CONSERVEZ CES INSTRUCTIONS

### Avertissements de sécurité supplémentaires

 **AVERTISSEMENT :** pour réduire le risque de blessures par ricochet, travaillez vous éloignant de tout objet solide tel un mur, des marches, de grosses pierres, des arbres, etc.

 **ATTENTION :** lorsque vous remplacez le fil, utilisez seulement un fil rond d'un diamètre de 1,65 mm (0,065 po.). D'autres diamètres ou formes pourraient réduire la performance ou endommager le taille-bordure.

 **AVERTISSEMENT :** ne pas retirer le protecteur. Le protecteur doit être fixé durant l'utilisation.

- **PROTECTEUR :** ne pas utiliser cet outil sans avoir fixé le protecteur.
- **PORTEZ DES VÊTEMENTS APPROPRIÉS :** ne pas porter des vêtements amples ou des bijoux. Ils peuvent se coincer dans les pièces qui se déplacent. Les gants et les chaussures à semelles en caoutchouc solides sont recommandés lorsque vous travaillez à l'extérieur. Ne pas utiliser cet outil lorsque vous êtes pieds nus ou que vous portez des sandales ouvertes. Portez des pantalons longs pour protéger vos jambes. Portez une protection pour vos cheveux afin de les retenir.
- **GARDEZ VOTRE VISAGE, VOS MAINS ET VOS PIEDS HORS DE PORTEZ DU FIL EN ROTATION EN TOUT TEMPS.** Le fil en rotation a une fonction de coupe : faites attention lorsque vous coupez autour des moustiquaires et des plantes désirables.
- **GARDEZ TOUS LES PASSANTS ÉLOIGNÉS :** à une distance sécuritaire de la zone de travail, particulièrement

les enfants. ASSUREZ-VOUS que les autres personnes et les animaux sont à une distance d'au moins 100 pi (30 m).

- **FAITES TRÈS ATTENTION** lorsque vous travaillez près d'objets solides et au besoin, taillez à la main.
- **ÉVITEZ LES DÉMARRAGES ACCIDENTELS** – ne pas transporter avec votre doigt sur la gâchette quand l'outil est branché.
- **DOMMAGES À L'OUTIL** – si vous frappez ou si vous vous emmêlez avec un objet étranger, arrêtez immédiatement l'outil, retirez la pile, vérifiez les dommages et faites réparer les dommages avant de tenter de le réutiliser. Ne pas l'utiliser avec un moyeu ou une bobine brisé.
- **NE PAS UTILISER** les outils électriques portatifs dans une atmosphère gazeuse ou explosive. Les moteurs de ces outils produisent des étincelles et ces étincelles pourraient enflammer les vapeurs.
- **DEMEUREZ VIGILANT** – ne pas utiliser cet outil lorsque vous êtes fatigué, malade ou sous l'influence de l'alcool, de drogues ou de médicaments.
- **NE PAS** immerger l'outil dans l'eau ou l'asperger avec un tuyau.
- **NE PAS** laisser pénétrer tout liquide à l'intérieur. Si l'outil est mouillé, laissez-le sécher pendant au moins 48 heures.
- **NE PAS** nettoyer avec une laveuse à pression.
- **NE PAS** entreposer l'outil sur ou près de fertilisants ou de produits chimiques.

 **AVERTISSEMENT :** si la gâchette ne met pas l'outil en marche ou si ne l'éteint pas, ne pas se servir de l'outil. Tout outil qui ne peut être contrôlé avec la gâchette est dangereux et doit être réparé.

### Consigne de sécurité supplémentaire

 **AVERTISSEMENT :** ne jamais modifier l'outil électrique ni aucun de ses composants, car il y a risques de dommages corporels ou matériels.

 **AVERTISSEMENT :** porter **SYSTÉMATIQUEMENT** des Lunettes de protection. Les lunettes courantes NE sont PAS des lunettes de protection. Utiliser aussi un masque antipoussières si l'opération est poussiéreuse. **PORTER SYSTÉMATIQUEMENT UN ÉQUIPEMENT DE SÉCURITÉ HOMOLOGUÉ :**

- Protection oculaire ANSI Z87.1 (CAN/CSA Z94.3) ;
- Protection auditive ANSI S12.6 (S3.19) ;
- Protection des voies respiratoires NIOSH/ OSHA/ MSHA.

 **AVERTISSEMENT :** certaines poussières contiennent des produits chimiques reconnus dans l'État de la Californie pour causer le cancer et des anomalies congénitales ou autres effets

nuisibles sur la reproduction. Certains exemples de ces produits chimiques sont :

- des composants de fertilisants,
- des composants d'insecticides, d'herbicides et de pesticides,
- l'arsenic et le chrome provenant du bois de construction traité chimiquement.

Pour réduire votre exposition à ces produits chimiques, portez un équipement de sécurité approuvé, comme un masque antipoussière spécialement conçu pour filtrer les particules microscopiques.

## **AVERTISSEMENT :** cet outil peut

produire et/ou répandre de la poussière susceptible de causer des dommages sérieux et permanents au système respiratoire. Utiliser systématiquement un appareil de protection des voies respiratoires homologué par le NIOSH ou l'OSHA. Diriger les particules dans le sens opposé au visage et au corps..

## **AVERTISSEMENT :** pendant

l'utilisation, porter systématiquement une protection auditive individuelle adéquate homologuée ANSI S12.6 (S3.19). Sous certaines conditions et suivant la durée d'utilisation, le bruit émanant de ce produit pourrait contribuer à une perte de l'acuité auditive.

## **ATTENTION :** après utilisation,

ranger l'outil sur son côté, sur une surface stable, là où il ne pourra ni faire trébucher ni faire chuter quelqu'un. Certains outils peuvent tenir à la verticale, mais manquent alors de stabilité.

- **Prendre des précautions à proximité des événements, car ils cachent des pièces mobiles.** Vêtements amples, bijoux ou cheveux longs risquent de rester coincés dans ces pièces mobiles.
- **Pour la sécurité de l'utilisateur, utiliser une rallonge de calibre adéquat (AWG, American Wire Gauge [calibrage américain normalisé des fils électriques]).** Plus le calibre est petit, et plus sa capacité est grande. Un calibre 16, par exemple, a une capacité supérieure à un calibre 18. L'usage d'une rallonge de calibre insuffisant causera une chute de tension qui entraînera perte de puissance et surchauffe. Si plus d'une rallonge est utilisée pour obtenir une certaine longueur, s'assurer que chaque rallonge présente au moins le calibre de fil minimum. Le tableau ci-dessous illustre les calibres à utiliser selon la longueur de rallonge et l'intensité nominale indiquée sur la plaque signalétique. En cas de doute, utiliser le calibre suivant. Plus le calibre est petit, plus la rallonge peut supporter de courant.

### Calibre minimum pour les cordons d'alimentation

Volts		Longueur totale du cordon d'alimentation en mètre (pieds)			
120 V		7,6 (25)	15,2 (50)	30,5 (100)	45,7 (150)
240 V		15,2 (50)	30,5 (100)	61,0 (200)	91,4 (300)
Ampères		AWG			
Plus que	Pas plus que				
0	6	18	16	16	14
6	10	18	16	14	12
10	12	16	16	14	12
12	16	14	12	Non recommandé	

L'étiquette apposée sur votre outil peut inclure les symboles suivants. Les symboles et leur définition sont indiqués ci-après :

V .....	volts	W .....	watts
Hz .....	hertz	~ ou AC.....	courant alternatif
min .....	minutes	⌚ ou AC/DC.....	courant alternatif ou continu
— ou DC.....	courant continu	□	fabrication classe II (double isolation)
Ⓢ .....	fabrication classe I (mis à la terre)	∞	vitesse à vide
... /min.....	par minute	n	vitesse nominale
BPM.....	batttements par minute	⊕	borne de terre
IPM.....	impacts par minute	⚠	symbole d'avertissement
RPM.....	révolutions par minute	☠	radiation visible
sfpm (plpm).....	pieds linéaires par minute	🧴	protection respiratoire
SPM (FPM).....	fréquence par minute	👁	protection oculaire
OPM.....	oscillations por minuto	👂	protection auditive
A .....	ampères	📖	lire toute la documentation
IPXX .....	symbole IP		

## Moteur

S'assurer que le bloc d'alimentation est compatible avec l'inscription de la plaque signalétique. Une diminution de tension de plus de 10 % provoquera une perte de puissance et une surchauffe. Ces outils sont testés en usine ; si cet outil ne fonctionne pas, vérifier l'alimentation électrique.

## Usage Prévu

Cet appareil est conçu pour des applications d'entretien d'environnement paysager résidentiel seulement.

**NE PAS** les utiliser en milieu ambiant humide ou en présence de liquides ou de gaz inflammables.

**NE PAS** le laisser à la portée des enfants. Une supervision est nécessaire auprès de tout utilisateur non expérimenté.

## ASSEMBLAGE ET AJUSTEMENTS

 **AVERTISSEMENT :** afin de réduire le risque de blessure corporelle, éteignez l'appareil et débranchez-le la source d'alimentation avant d'effectuer tout ajustement ou de retirer/installer des pièces ou



**des accessoires.** Un déclenchement accidentel du démarrage peut causer des blessures.

**! AVERTISSEMENT :** ne pas brancher l'appareil, avant d'avoir installé LA GARDE-PROTECTRICE, LA ROULETTE-GUIDE OU LA POIGNÉE. NE JAMAIS FAIRE FONCTIONNER L'OUTIL SANS QUE SA GARDE-PROTECTRICE SOIT FERMEMENT FIXÉE EN PLACE. LA GARDE-PROTECTRICE DOIT TOUJOURS ÊTRE SUR L'OUTIL POUR PROTÉGER LES UTILISATEURS.

## Fixation de la garde-protectrice (Fig. C, D)

**! AVERTISSEMENT :** NE JAMAIS FAIRE FONCTIONNER LE COUPE-BORDURE SANS QUE SA GARDE-PROTECTRICE SOIT FERMEMENT FIXÉE EN PLACE.

1. Retournez le coupe-bordure sens-dessus-dessous four faire face à la bobine **10**.
2. À l'aide d'un tournevis, déposer la vis de retenue de la garde protectrice.
3. Retourner la garde-protectrice **9**, pour l'insérer sur la carcasse du moteur **8**. S'assurer que les languettes **12** de la garde-protectrice s'insèrent dans les fentes **13** de la carcasse du moteur comme montré à la Figure D. La languette de blocage **14** devrait s'être enclenchée dans la fente **15** de la carcasse moteur.
4. Poursuivre l'insertion jusqu'à ce que vous entendiez le clic d'enclenchement de la garde-protectrice en position.
5. Visser la vis de maintien.
6. Après avoir installé la garde-protectrice retirez la protection de la lame de coupe sur le bord de la garde.

Fig. C

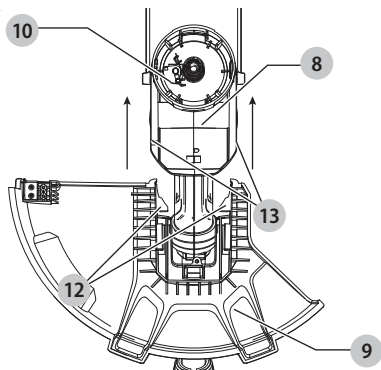
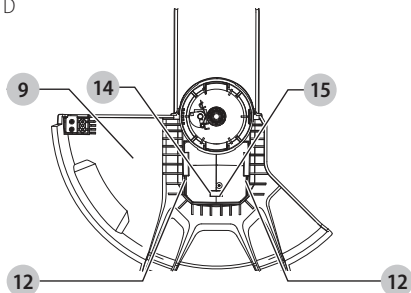


Fig. D



## Fixation de la poignée auxiliaire

### (Fig. D)

1. Pour fixer la poignée **6**, appuyez sur les boutons **16** des deux côtés du boîtier supérieur comme illustré dans la Fig. E.
2. Placez la poignée comme illustré dans la Fig. F de façon à faire correspondre le côté ayant des rainures avec le bouton ayant des rainures. Poussez partiellement la poignée dessus pour qu'elles tiennent les boutons lorsque vous les relâchez avec votre main.
3. Poussez la poignée complètement dans le boîtier et placez-la légèrement jusqu'à ce qu'elle « clique » en place.
4. Pour ajuster la poignée vers le haut ou vers le bas, appuyez sur le bouton et montez ou baissez la poignée comme illustré dans la Fig. G.
5. La poignée doit être ajustée pour que votre bras avant soit droit lorsque le taille-bordure est en position de travail.

Fig. E

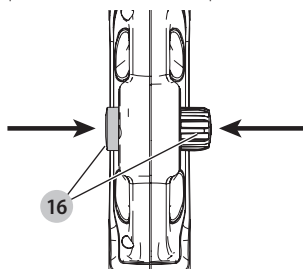


Fig. F

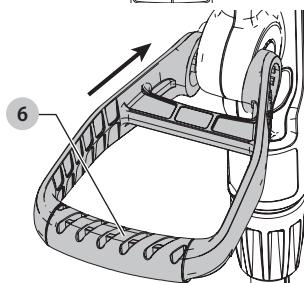
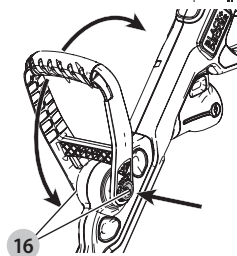


Fig. G



## Fixation d'un cordon d'extension (Fig. H)

Un dispositif de retenue de cordon rallonge ③ est intégré à la poignée de la gâchette pour prévenir le débranchement en se déplaçant.

1. Pour utiliser cette fonction, doublez simplement la rallonge d'environ 203 mm (8 pouces) à partir de l'extrémité et enroulez-la autour de l'enrouleur de cordon ③. Tirez doucement sur la rallonge afin d'assurer qu'elle fermement retenue dans la poignée de la taille-bordure.
2. Accrochez la boucle formée sur la languette. Tirez délicatement sur la rallonge pour vous assurer qu'elle est bien retenue dans la poignée du coupe-bordure.

## Libération du fil de coupe

Durant le transport, le fil de coupe est collé au boîtier de la bobine.

1. Retirer le ruban adhésif retenant le fil de coupe au boîtier de la bobine.
2. Voir **Remplacement de la bobine** pour des instructions sur le retrait de la bobine.

## FONCTIONNEMENT

**AVERTISSEMENT :** afin de réduire le risque de blessure corporelle, éteignez l'appareil et débranchez-le la source d'alimentation avant d'effectuer tout ajustement ou de retirer/installer des pièces ou des accessoires. Un déclenchement accidentel du démarrage peut causer des blessures.

**AVERTISSEMENT :** lors du travail avec cet appareil, portez toujours une protection oculaire conforme à la norme ANSI Z87.1 ou CAN/CSA Z94.3.

**ATTENTION :** n'utilisez seulement le fil de coupe spécifié, approprié.

**ATTENTION :** inspecter l'aire à traiter et dégager tout câble, cordon ou objet pouvant se prendre et s'enrouler sur la tête rotative ou la bobine. Soyez particulièrement prudent afin d'éviter tout fil pouvant être replié vers l'extérieur où vous passez le coupe-bordure comme les barbelés à la base de clôtures à mailles métalliques.

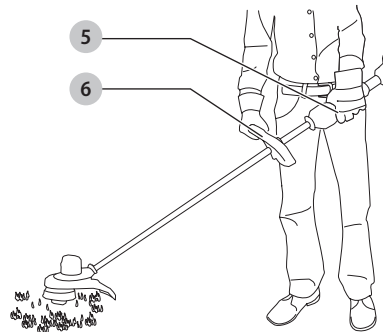
## Position correcte des mains (Fig. H)

**AVERTISSEMENT :** pour réduire tout risque de dommages corporels graves, adopter **SYSTÉMATIQUEMENT** la position des mains illustrée.

**AVERTISSEMENT :** pour réduire tout risque de dommages corporels graves, maintenir **SYSTÉMATIQUEMENT** l'outil fermement pour anticiper toute réaction soudaine.

Une position des mains adéquate nécessite une main sur la poignée principale ⑤ et une main sur la poignée auxiliaire ⑥.

Fig. H



## Mise en marche et en arrêt (Fig. A)

Pour mettre en marche, appuyez sur la gâchette ①. Pour arrêter le coupe-bordure, relâchez la gâchette.

## Opération du coupe-bordure (Fig. I, J, K)

Avec l'unité en fonction, gardez-la inclinée et oscillez lentement la tête de coupe d'un côté à l'autre comme montré à la Fig. I.

Gardez une distance minimum de 610 mm (24 po) entre entre la garde-protectrice et vos pieds. Pour ce faire, réglez la longueur de l'outil comme montré à la Fig. J.

Maintenez un angle de 5° à 10° comme montré à la Fig. K. Ne pas dépasser une inclinaison de 10° (Fig. K). Coupez avec le bout de la ligne.

Fig. I

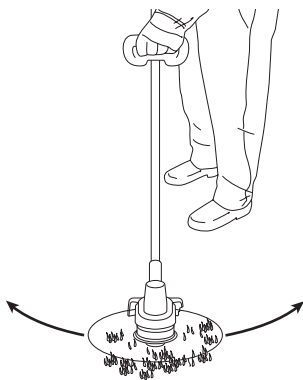


Fig. J

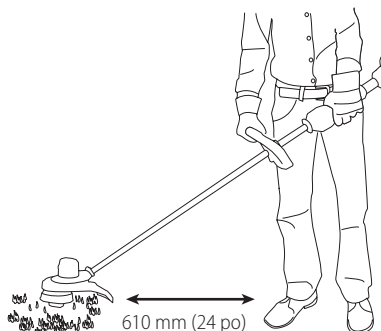


Fig. K



## Bouton Alimentation (Fig. A)

La fonction de l'Alimentation vous permet de faire sortir la longueur du fil de coupe disponible tout en taillant.

Pour faire sortir le fil de coupe, enfoncez complètement le bouton Alimentation 2 tout en taillant.

**REMARQUE :** lors de l'actionnement du bouton Alimentation, le taille-haie cessera de couper et reprendra sa coupe au relâchement du bouton.

- Pour une longueur maximale de ligne, appuyez plusieurs fois sur le bouton jusqu'à ce vous entendiez le fil frapper la garde-protectrice.

**REMARQUE :** ne pas maintenir le bouton Alimentation enfoncé une fois que la longueur maximale a été atteinte. Cela causerait une suralimentation et une vidange rapide de la bobine.

**REMARQUE :** Il est normal pour une petite quantité de fil soit alimentée lorsque vous démarrez le taille-bordure. Cela vous assure que vous travaillez avec une taille de bande complète.

## Conversion en mode de bordure (Fig. A, L)

Le coupe-bordure peut être utilisé en mode de bordure pour couper les herbes en bordure des gazons et platebandes de fleurs.

**⚠ AVERTISSEMENT :** avant de faire tout réglage, débranchez la rallonge de sa source d'alimentation.

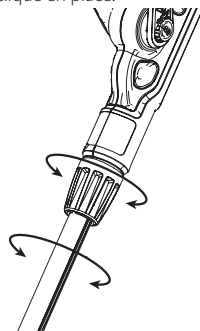
**⚠ AVERTISSEMENT :** lorsqu'utilisé comme coupe-bordure, les cailloux ou autres objets peuvent être projetés à une grande vitesse par le fil. L'outil et sa garde-protectrice sont conçus pour réduire le danger, mais ASSUREZ-VOUS que les autres personnes ou animaux de compagnie ne se rapprochent pas plus que 30 m (100 pi) de vous.

1. Pour utiliser en contour de platebandes, desserrez le collet 7 (Fig. L).
2. Tenir le tube métallique du bas et le faire pivoter de 180 degrés comme montré à la Fig. L.
3. Resserer le collet.

**REMARQUE :** la partie inférieure ne tournera que dans un sens.

4. Sortez le guide de bord 11 hors du boîtier du moteur 8 jusqu'à ce qu'il clique en place. Assurez-vous qu'il est complètement enclenché et qu'il ne peut facilement être retourné dans le boîtier avant de tailler.
5. Pour remettre l'outil en position originale, desserrer le collet de verrouillage et tourner la partie du bas de 180 degrés dans l'autre sens et resserer le collet.
6. Sortez le guide de bord 11 sur le boîtier du moteur 8 jusqu'à ce qu'il clique en place.

Fig. L



## Coupe-bordure (Fig. A, M)

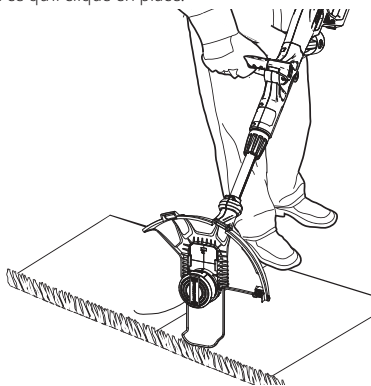
Les meilleurs résultats s'obtiennent sur les bordures de plus de 50 mm (2 po) de profondeur. Ne vous servez pas du coupe-bordure pour creuser des tranchées.

1. À l'aide du guide de bord, guidez le taille-bordure comme illustré dans la Fig. M.
2. Placez le guide de bord sur le bord du trottoir ou de la surface dure de sorte que le fil de coupe soit par dessus le gazon ou l'aire à être traitée.

**REMARQUE :** Vous remarquerez une usure du fil de coupe plus rapide que la normale si le guide de bord est placé trop loin de la bordure avec le fil de coupe placé sur le trottoir ou la surface abrasive.

3. Pour couper de plus près, inclinez légèrement le taille-bordure.
4. Retournez à la position de coupe en desserrant le collier verrouillé et en tournant le boîtier le plus bas à 180°. L'outil se verrouillera en position de coupe.
5. Sortez le guide de bord **11** sur le boîtier du moteur **8** jusqu'à ce qu'il clique en place.

Fig. M



## Fil de coupe et son alimentation (Fig. M)

Votre coupe-bordure utilise un fil de nylon ROND de 1,65 mm (0,065 po) de diamètre. Lors d'utilisation, l'extrémité du fil de nylon s'usera et se divisera en plusieurs brins. Pour alimenter et couper une nouvelle longueur de fil, actionnez le bouton Feed. Si le travail est fait en bordure de trottoirs ou autre surface abrasive, ou si des mauvaises herbes plus denses sont coupées, le fil de coupe s'usera plus rapidement et une alimentation plus fréquente de nouveau fil sera requise. Ne pas frapper la tête du coupe-bordure sur le sol pour tenter de faire sortir le fil ou pour toute autre raison.

## Conseils pratiques de coupe

- Couper l'herbe avec l'extrémité du fil de coupe. Ne pas forcer la tête dans les talus d'herbe.
- Les piquets et clôtures à mailles causent une plus grande usure du fil et même son bris. Les murs de brique ou de pierre, les bordures de trottoirs et passerelles de bois pourraient user le fil plus rapidement.
- Ne pas laisser la tête de coupe faire contact avec le sol ou toute autre surface.

- Pour les hautes herbes, commencer par le haut et ne pas couper de longueurs de plus de 304,8 mm (12 po) à la fois.
- Pour une plus grande efficacité, gardez le coupe-bordure incliné vers la zone traitée.
- La coupe se fait en oscillant l'unité de gauche à droite. Ceci minimisera la projection de débris sur l'utilisateur.
- Évitez les arbustes et les arbres. L'écorce, les moulures de bois, les parements d'édifices et les poteaux de clôtures peuvent facilement endommager le fil de coupe.

## MAINTENANCE

**AVERTISSEMENT :** afin de réduire le risque de blessure corporelle, éteignez l'appareil et débranchez-le la source d'alimentation avant d'effectuer tout ajustement ou de retirer/installer des pièces ou des accessoires. Un déclenchement accidentel du démarrage peut causer des blessures.

1. Pour prévenir une surchauffe du moteur, gardez les ouvertures de prise d'air dégagées et propres.
2. Le fil de nylon peut s'assécher au fil du temps. Pour garder le fil en bonne condition, entreposez les bobines de rechange ou le fil en vrac dans un sac de polyéthylène scellé et y déversant une cuillère à table (15 ml) d'eau.
3. Les surfaces de plastique se nettoient à l'eau et savon doux avec un torchon mouillé.
4. Le coupe-fil sur le bord de la garde-protectrice peut perdre de son efficacité au fil du temps. Il est recommandé de l'aiguiser périodiquement avec une lime.

## Nettoyage

**AVERTISSEMENT :** enlever les saletés et la poussière hors des événements au moyen d'air comprimé propre et sec, au moins une fois par semaine. Pour minimiser le risque de blessure aux yeux, toujours porter une protection oculaire conforme à la norme ANSI Z87.1 lors du nettoyage.

**AVERTISSEMENT :** ne jamais utiliser de solvants ni d'autres produits chimiques puissants pour nettoyer les pièces non métalliques de l'outil. Ces produits chimiques peuvent affaiblir les matériaux de plastique utilisés dans ces pièces. Utiliser un chiffon humecté uniquement d'eau et de savon doux. Ne jamais laisser de liquide pénétrer dans l'outil et n'immerger aucune partie de l'outil dans un liquide.

## Accessoires

**AVERTISSEMENT :** puisque les accessoires autres que ceux offerts par CRAFTSMAN n'ont pas été testés avec ce produit, leur utilisation

*pourrait s'avérer dangereuse. Pour réduire le risque de blessures, utiliser exclusivement les accessoires CRAFTSMAN recommandés avec le présent produit.*

Les accessoires recommandés pour cet outil sont vendus séparément au centre de service de votre région. Pour obtenir de l'aide concernant l'achat d'un accessoire, communiquer avec CRAFTSMAN, composer le 1-888-331-4569.

Utiliser les bobines de remplacement Craftsman modèle no. CMZST065.

Faites la recharge du fil de nylon (en vrac ou en bobine) comme expliqué dans le présent manuel.

- UTILISEZ SEULEMENT UN FIL DE NYLON ROND de 1,65 mm (0,065 po) DE DIAMÈTRE. Ne pas utiliser de fil ondulé ou de plus gros calibre car ils surchaufferaient et feraient surchauffer le moteur. Le fil adéquat est disponible chez votre détaillant local ou un centre de services autorisé.
- D'autres pièces de remplacement (gardes, capuchons de bobines etc.) sont disponibles aux centres de service Craftsman. Pour localiser votre service local, composez : 888-331-4569 ou visitez [www.craftsman.com](http://www.craftsman.com)

## Remplacement de la bobine (Fig. N, O, P, Q)

1. Débrancher le coupe-bordure.
2. Dans la tête du coupe-bordure, enfoncer les languettes **18** et déposer le capuchon de la bobine **19** du corps de la bobine **20** (Fig. N).
3. Pour les meilleurs résultats, remplacez la bobine par une autre du n° de modèle no. CMZST065.
4. Sortir la bobine vide de son logement.
5. S'assurer que le levier **21** (Fig. O) du fond du logement demeure dans sa position originale avant d'insérer la nouvelle bobine.
6. Dégager toute saleté et herbe du logement et de la bobine.
7. Libérer l'extrémité du fil de coupe et passer le fil dans l'œillet **23** (Fig. P).
8. Pousser la nouvelle bobine sur la bosse dans le logement. Tourner la bobine pour l'insérer dans son siège. Le fil devrait sortir d'environ 136 mm (5-3/8 po) du logement.
9. Aligner les languettes du capuchon de bobine sur les fentes **24** du logement (Fig. Q).
10. Pousser le capuchon sur le logement jusqu'à ce qu'il s'enclenche de façon sécuritaire.

**⚠ ATTENTION :** *si le fil de coupe dépasse de la lame de la garde-protectrice, coupez-le à égalité à la garde pour éviter d'endommager le coupe-bordure.*

Fig. N

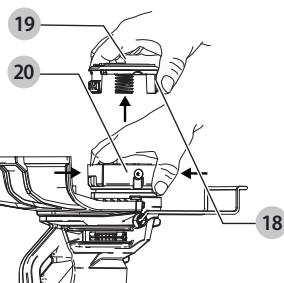


Fig. O

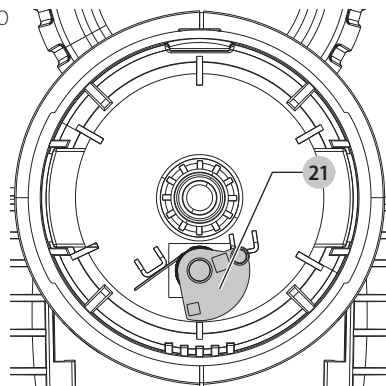
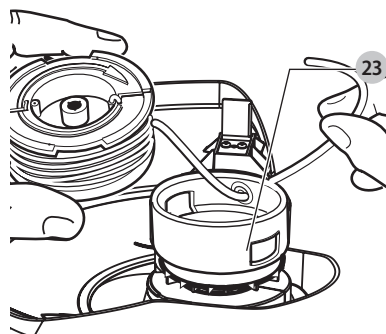


Fig. P

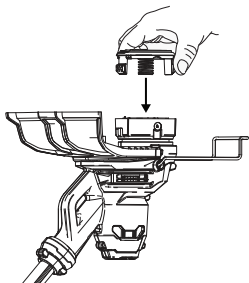


## Rebobinage de bobine à partir de fil en vrac (Fig. R, S, T)

**[utiliser seulement du fil ROND de 1,65 mm (0,065 po) de diamètre]**

Le fil en vrac est aussi disponible chez votre détaillant quincailler ou d'horticulture local. **REMARQUE :** Les bobines enroulées à la main à partir de fil en vrac sont plus susceptibles de se bloquer plus fréquemment que les bobines pré-enroulées aux ateliers CRAFTSMAN. Pour de meilleurs résultats, les bobines enroulées à l'usine sont recommandées.

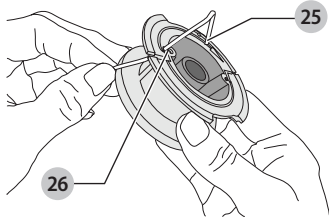
Fig. Q



Pour remplir une bobine vide, suivre la procédure suivante :

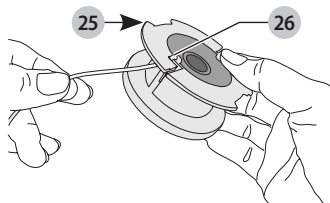
1. Débrancher le coupe-bordure.
2. Déposer la bobine vide du coupe-bordure comme indiqué à la section **Remplacement de la bobine**.
3. Retirer tout fil résiduel de la bobine.
4. Plier l'extrémité du fil à environ 19 mm (3/4 po) du bout du fil **25**. Insérer le fil dans l'une des fentes d'ancrage **26** comme montré à la Fig. Q.

Fig. R



5. Insérez l'extrémité de la ligne de masse de 19 mm (3/4") **25** dans le trou **26** de la bobine se trouvant près de la fente comme montré à la Fig. S et s'assurer de tirer le fil de façon tendue contre la bobine comme montré à la Fig. T.

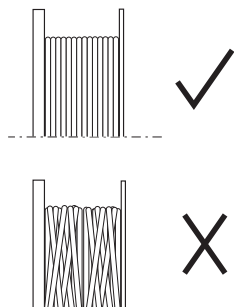
Fig. S



6. Bobiner le fil de coupe sur la bobine dans le sens de la flèche sur la bobine. S'assurer de bobiner le fil de façon ordonnée une couche après l'autre. Ne pas croiser le fil diagonalement (Fig. T).
7. Lorsque l'accumulation des couches de fil atteindra les encastrement, coupez le fil.
8. Ajuster la bobine sur le coupe-bordure comme indiqué à la section **Remplacement de la bobine**.

**ATTENTION :** n'utilisez seulement le fil de coupe spécifié, approprié.

Fig T



## Réparations

**AVERTISSEMENT :** pour assurer la SÉCURITÉ et la FIABILITÉ du produit, les réparations, l'entretien et les réglages doivent être réalisés (cela comprend l'inspection et le remplacement du balai, le cas échéant) par un centre de réparation en usine CRAFTSMAN ou un centre de réparation agréé CRAFTSMAN. Toujours utiliser des pièces de rechange identiques.

### Versatrack™ (Fig. U)

**AVERTISSEMENT :** afin de réduire le risque de blessure corporelle, éteignez l'appareil et débranchez-le la source d'alimentation et avant d'effectuer tout ajustement ou de retirer/installer des pièces ou des accessoires. Un déclenchement accidentel du démarrage peut causer des blessures.

**AVERTISSEMENT :** afin de réduire le risque de blessures graves, ne pas utiliser un crochet de suspension Versatrack<sup>MD</sup> ou rail mural Versatrack<sup>MD</sup> endommagé. Un crochet de suspension Versatrack<sup>MD</sup> ou un rail Versatrack<sup>MD</sup> endommagé ne supportera pas le poids de l'outil.<sup>MD</sup>

**AVERTISSEMENT :** afin de réduire

le risque de blessures graves, NE PAS suspendre l'outil au-dessus du niveau de la tête ou suspendre d'autres objets à partir du crochet de suspension. Suspendez SEULEMENT l'outil sur le rail mural Versatrack<sup>MD</sup> à l'aide du crochet de suspension Versatrack<sup>MD</sup>.

**AVERTISSEMENT :** le crochet de suspension intégré Versatrack™ est conçu pour installer l'outil sur le rail mural Versatrack<sup>MD</sup>. Ne pas utiliser le crochet de suspension intégré pour installer l'outil sur toute autre surface.

**⚠ AVERTISSEMENT :** le crochet de suspension intégré Versatrack<sup>MD</sup> n'est pas un crochet pour courroie.

**⚠ AVERTISSEMENT :** lorsque vous suspendez des objets sur un rail mural Versatrack<sup>MD</sup>, distancez adéquatement les outils de sorte à ne pas excéder 75 lb (35 kg) par pied linéaire.

**⚠ AVERTISSEMENT :** avant d'utiliser l'outil, assurez-vous que le crochet de suspension intégré Versatrack<sup>MD</sup> est revenu à sa position originale

**IMPORTANT :** Les outils et accessoires compatibles Versatrack<sup>MD</sup> se fixent de façon sécuritaire au système Versatrack<sup>MD</sup> Trackwall.

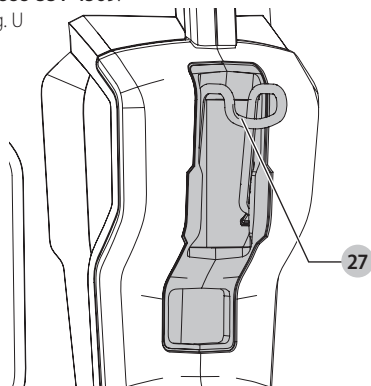
1. Éteignez l'outil et débranchez-le de l'alimentation et retirez les accessoires.

**⚠ ATTENTION :** tout produit avec dents coupantes exposées doit être couvert de façon sécuritaire s'il doit être mis sur le Versatrack<sup>MD</sup> Trackwall.

2. Tournez ou ouvrez le crochet de suspension intégré **27**. Il clique lorsqu'il est verrouillé en place.
3. Installez le crochet de suspension intégré sur le rail mural Versatrack<sup>MD</sup>.

**REMARQUE :** les accessoires Versatrack<sup>MD</sup> pour utilisation avec cet outil sont disponibles à un coût supplémentaire chez votre détaillant local ou dans un centre de services autorisé. Si vous avez besoin d'aide pour trouver un accessoire, veuillez contacter CRAFTSMAN, appelez au **1-888-331-4569**.

Fig. U



## Registre en ligne

Merci pour votre achat. Enregistrez dès maintenant votre produit:

- **RÉPARATIONS SOUS GARANTIE:** cette carte remplie vous permettra de vous prévaloir du service de réparations sous garantie de façon plus efficace dans le cas d'un problème avec le produit.

- **CONFIRMATION DE PROPRIÉTÉ:** en cas de perte provoquée par un incendie, une inondation ou un vol, cette preuve de propriété vous servira de preuve auprès de votre compagnie d'assurances.
- **SÉCURITÉ:** l'enregistrement de votre produit nous permettra de communiquer avec vous dans l'éventualité peu probable de l'envoi d'un avis de sécurité régi par la loi fédérale américaine de la protection des consommateurs.
- Registre en ligne à **[www.craftsman.com/registration](http://www.craftsman.com/registration)**

## Garantie limitée de trois ans

CRAFTSMAN réparera ou remplacera sans frais tout appareil défectueux pour cause de défaut de matériau ou de main-d'œuvre sur une période de trois ans à partir de la date d'achat de l'outil. Cette garantie ne couvre pas les pièces en panne pour cause d'abus ou d'usure normale de l'outil. Pour plus de détails au sujet de la couverture de la garantie et l'information de réparation sous garantie, visitez **[www.craftsman.com](http://www.craftsman.com)** ou composez le **1-888-331-4569**. Cette garantie ne s'applique pas aux accessoires ou dommages causés par des réparations effectuées ou tentées par d'autres. **CETTE GARANTIE REMPLACE TOUTES LES AUTRES, INCLUANT LES GARANTIES IMPLICITES DE LA QUALITÉ MARCHANDE ET L'APTITUDE POUR UN BUT PARTICULIER, ET EXCLUT TOUS LES DOMMAGES ACCIDENTELS OU CONSÉCUTIFS.** Certaines provinces ne permettent pas de limitation sur la durée de la garantie implicite ou l'exclusion ou la limitation de dommages indirects, alors ces limitations peuvent ne pas s'appliquer à vous. Cette garantie vous donne des droits légaux particuliers et vous pouvez avoir d'autres droits qui varient selon les états ou les provinces.

### GARANTIE DE REMBOURSEMENT DE 90 JOURS

Si l'acheteur n'est pas entièrement satisfait, pour quelque raison que ce soit, du rendement de l'outil électrique ou de la cloueuse CRAFTSMAN, celui-ci peut le retourner, accompagné d'un reçu, dans les 90 jours à compter de la date d'achat pour obtenir un remboursement intégral, sans aucun problème.

**AMÉRIQUE LATINE :** cette garantie ne s'applique aux produits vendus en Amérique latine. Pour ceux-ci, veuillez consulter les informations relatives à la garantie spécifique présente dans l'emballage, appeler l'entreprise locale ou consulter le site Web pour les informations relatives à cette garantie.

### REMPLACEMENT GRATUIT DES ÉTIQUETTES

**D'AVERTISSEMENT :** si les étiquettes d'avertissement deviennent illisibles ou sont manquantes, composer le **1-888-331-4569** pour en obtenir le remplacement gratuit.

## Definiciones: Símbolos y Palabras de Alerta de Seguridad

Este manual de instrucciones utiliza los siguientes símbolos y palabras de alerta de seguridad para alertarle de situaciones peligrosas y del riesgo de lesiones corporales o daños materiales.

**⚠ PELIGRO:** Indica una situación de peligro inminente que, si no se evita, provocará **la muerte o lesiones graves**.

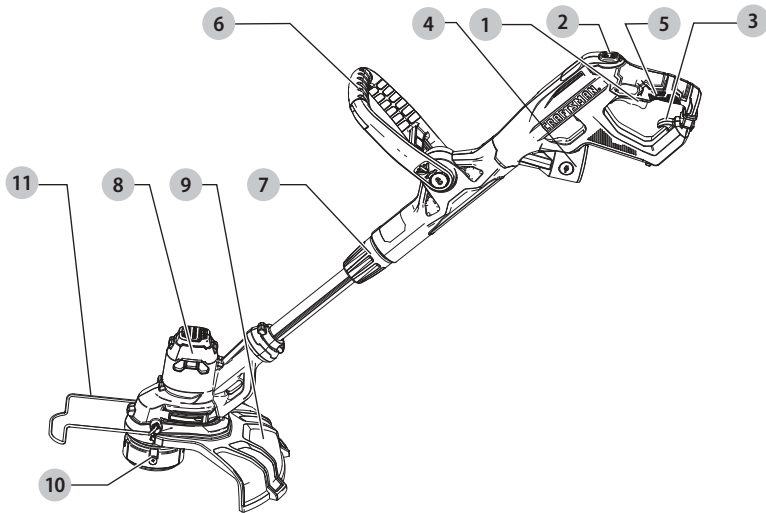
**⚠ ADVERTENCIA:** Indica una situación de peligro potencial que, si no se evita, **podría** provocar **la muerte o lesiones graves**.

**⚠ ATENCIÓN:** Indica una situación de peligro potencial que, si no se evita, **posiblemente** provocaría **lesiones leves o moderadas**.

**⚠** (Utilizado sin palabras) indica un mensaje de seguridad relacionado.

**AVISO:** Se refiere a una práctica **no relacionada a lesiones corporales** que de no evitarse **puede** resultar en **daños a la propiedad**.

Fig. A



**⚠ ADVERTENCIA:** Lea todas las advertencias de seguridad e instrucciones. El incumplimiento de las advertencias e instrucciones puede provocar descargas eléctricas, incendios o lesiones graves.

**⚠ ADVERTENCIA:** Para reducir el riesgo de lesiones, lea el manual de instrucciones.

Si tiene alguna duda o algún comentario sobre ésta u otra herramienta CRAFTSMAN llámenos al número gratuito: 1-888-331-4569.



## Podadora/Bordeadora de cuerda de 6,5 Amps CMEST913

### INSTRUCCIONES DE SEGURIDAD IMPORTANTES

**⚠️ ADVERTENCIA:** Para reducir el riesgo de lesiones:

- Antes de cualquier uso, asegúrese que cualquiera que use esta unidad lea y entienda todas las instrucciones de seguridad y otra información contenida en este manual.
- Conserve estas instrucciones y revíselas con frecuencia.

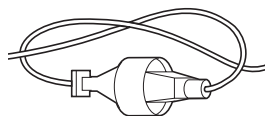
**⚠️ ADVERTENCIA:** Cuando use aparatos de jardinería eléctricos, siempre se deben seguir las precauciones de seguridad básica para reducir el riesgo de incendio, descarga eléctrica, y lesiones personales, incluyendo las siguientes.

1. **Evite ambientes peligrosos** – No use aparatos en ubicaciones mojadas o húmedas.
2. **No use en lluvia.**
3. **Mantenga a los niños alejados** – Todos los visitantes deben mantener una distancia del área de trabajo.
4. **Use vestimenta apropiada** – No use ropa holgada o joyería. Pueden quedar atrapados en las partes móviles. Se recomienda el uso de guantes de hule y calzado apropiado cuando trabaje en exteriores. Use una cubierta de protección para el cabello para cubrir el cabello largo.
5. **Use Gafas de seguridad** – También use una careta o máscara de polvo si la operación produce polvo.
6. **Utilice el aparato correcto** – No utilice el aparato para ningún trabajo excepto para el que está diseñado.
7. **Se debe proporcionar protección de Interruptor de circuito de falla a tierra [Ground Fault Circuit Interrupter (GFCI)] en los circuitos o tomacorrientes que se van a usar para el aparato de jardinería.** Los receptáculos están disponibles con protección GFCI integrada y pueden ser utilizados para esta medida de seguridad.
8. **Advertencia** – Para reducir el riesgo de descargas eléctricas, utilice sólo una extensión para uso exterior, como una extensión del tipo de cable SW-A, SOW-A, STW-A, STOW-A, SJW-A, SJOW-A, SJTW-A. o SJTOW-A.
9. **Cable de extensión** – Asegúrese que su cable de extensión esté en buenas condiciones. Cuando use un cable de extensión asegúrese de usar uno lo suficientemente pesado para llevar la corriente que usará su producto. Un cable de extensión de tamaño inferior causará una caída en el voltaje en línea que resulta en una pérdida de energía y sobrecalentamiento. La tabla 54.1 muestra el tamaño correcto a usar dependiendo de la longitud

del cable y la clasificación de amperes de la placa de identificación. Si tiene duda, use el calibre más pesado siguiente. Mientras menor sea el número de calibre, más pesado será el cable. Para reducir el riesgo de desconexión del cable del aparato del cable de extensión durante la operación:

- i) Realice un nudo como se muestra en la Figura B;
  - ii) Use una de las correas o conectores de retención de enchufe-receptáculo descritos en este manual.
- O
- iii) Asegure el cable de extensión al enchufe del aparato como se muestra o describe en **Montaje Y Ajustes.**

Fig. B



10. **Evite el arranque accidental - No lleve el aparato conectado con el dedo en el gatillo.** Asegúrese que el interruptor esté apagado cuando lo conecte.
11. **No abuse del cable – Nunca jale el aparato por un cable ni lo jale para desconectarlo del tomacorriente.** Mantenga el cable alejado del calor, aceite y bordes filosos.
12. **No sujete las cuchillas de corte expuestas ni los bordes de corte cuando levante o sostenga el aparato.**
13. **No fuerce el aparato** – Hará el trabajo mejor y con menos probabilidad de un riesgo de lesión en la velocidad para la que se diseñó.
14. **No se estire en exceso** – Mantenga la pisada y equilibrio adecuados en todo momento.
15. **Permanezca alerta** – Observe lo que está haciendo. Utilice el sentido común. No opere el aparato cuando esté cansado.
16. **Desconecte el aparato** – Retire la batería cuando no esté en uso, antes de realizar el mantenimiento, al cambiar accesorios tales como cuchillas, y similares.
17. **Guarde los aparatos sin uso en el interior** – Cuando no los use, los aparatos deben almacenarse en interiores en lugares secos y altos o encerrados, fuera del alcance de los niños.
18. **Mantenga el aparato con cuidado** – Mantenga el borde de corte afilado y limpio para obtener el mejor desempeño y reducir el riesgo de lesiones. Siga las instrucciones para lubricar y cambiar los accesorios. Revise la fuente de energía del aparato periódicamente y, si está dañada, pida que lo reparen en instalaciones de servicio autorizadas. Revise los cables de extensión periódicamente

y reemplácelos si están dañados. Mantenga las manijas secas, limpias y libres de aceite y grasa.

19. **Revise las partes dañadas** – Antes de utilizar el aparato, se debe revisar cuidadosamente una protección u otra pieza que esté dañada para determinar que funcionará correctamente y cumplirá su función. Revise la alineación de las partes móviles, la unión de las partes móviles, la ruptura de partes, el montaje y cualquier otra condición que pueda afectar su operación. Una protección u otra parte que esté dañada se debe reparar o reemplazar apropiadamente por un centro de servicio autorizado, a menos que se indique en otra parte de este manual.

## CONSERVE ESTAS INSTRUCCIONES

### Advertencias de Seguridad Adicionales

**⚠ ADVERTENCIA:** Para reducir el riesgo de lesiones por rebote, trabaje alejándose de cualquier objeto sólido cercano, como paredes, escalones, piedras grandes, árboles, etc.

**⚠ ATENCIÓN:** Al reemplazar la línea, use sólo una línea redonda de 1.65 mm (0.065") de diámetro. Otros diámetros o formas pueden degradar el desempeño o causar daños a la desbrozadora.

**⚠ ADVERTENCIA:** No retire la protección. La protección debe ser conectada durante el uso.

- **PROTECCIÓN** - No use este aparato sin la protección incluida.
- **USE VESTIMENTA CORRECTA** - No use ropa suelta o joyas. Pueden quedar atrapados en las partes móviles. Se recomiendan guantes y calzado de suela de hule cuando trabaje al aire libre. No opere el aparato cuando esté descalzo o use sandalias abiertas. Use pantalones largos pesados para proteger sus piernas. Use una cubierta de protección para el cabello para cubrir el cabello largo.
- **MANTENGA LA CARA, LAS MANOS Y LOS PIES ALEJADOS DE LA LÍNEA DE NYLON GIRATORIA EN TODO MOMENTO.** La línea giratoria realiza una función de corte, tenga cuidado al recortar alrededor de pantallas y plantas deseables.
- **MANTENGA A TODOS LOS TRANSEÚNTES ALEJADOS** - a una distancia segura del área de trabajo, especialmente a niños. ASEGÚRESE que otras personas y mascotas estén a una distancia de por lo menos 100' (30 m).
- **TENGA MUCHO CUIDADO** cuando trabaje cerca de objetos sólidos y cuando sea necesario, realice el corte a mano.
- **EVITE EL ARRANQUE ACCIDENTAL** – No cargue con el dedo en el gatillo cuando la herramienta esté enchufada.
- **DAÑO A LA UNIDAD** - Si golpea o se enreda con un objeto extraño, detenga el aparato inmediatamente, retire la batería, revise si hay daños y repare el daño antes de

intentar la operación adicional. No opere con un cubo o un carrete rotos.

- **NO OPERE** aparatos eléctricos portátiles en una atmósfera gaseosa o explosiva. Los motores de estos aparatos pueden producir chispas, y éstas pueden encender los vapores.
- **PERMANEZCA ALERTA** - No utilice esta unidad cuando esté cansado, enfermo o bajo la influencia de alcohol, drogas o medicamentos.
- **NO** sumerja el aparato en agua ni lo rocíe con una manguera.
- **NO** permita que entre ningún líquido en su interior. Si el aparato se moja, deje secar durante un mínimo de 48 horas.
- **NO** limpie con una lavadora a presión.
- **NO** guarde el aparato en o junto a fertilizantes o productos químicos.

**⚠ ADVERTENCIA:** No use el aparato si el gatillo interruptor no enciende o apaga el aparato. Cualquier aparato que no pueda controlarse con el gatillo interruptor es peligroso y debe repararse.

### Instrucción Adicional de Seguridad

**⚠ ADVERTENCIA:** Nunca modifique la herramienta eléctrica, ni tampoco ninguna de sus piezas. Podría producir lesiones corporales o daños.

**⚠ ADVERTENCIA:** Use **SIEMPRE** lentes de seguridad. Los anteojos de diario **NO SON** lentes de seguridad. Utilice además una cubrebocas o mascarilla antipolvo si la operación de corte genera demasiado polvo. **SIEMPRE LLEVE EQUIPO DE SEGURIDAD CERTIFICADO:**

- protección ocular ANSI Z87.1 (CAN/CSA Z94.3),
- protección auditiva ANSI S12.6 (S3,19),
- protección respiratoria NIOSH/OSHA/MSHA.

**⚠ ADVERTENCIA:** Algún polvo contiene químicos conocidos por el Estado de California que causan cáncer, defectos de nacimiento u otros daños reproductivos. Algunos ejemplos de estos químicos son:

- compuestos en fertilizantes,
- compuestos en insecticidas, herbicidas y pesticidas,
- arsénico y cromo a partir de madera tratada químicamente.

Para reducir su exposición a estos químicos, use equipo de seguridad aprobado, tal como máscaras de polvo que estén diseñadas específicamente para filtrar partículas microscópicas.

**ADVERTENCIA:** La utilización de esta herramienta puede generar polvo o dispersarlo, lo que podría causar daños graves y permanentes al sistema respiratorio, así como otras lesiones. Siempre use protección respiratoria aprobada por NIOSH (Instituto Nacional de Seguridad y Salud en el Trabajo) u OSHA (Administración de Seguridad y Salud en el Trabajo) apropiada para la exposición al polvo. Dirija las partículas en dirección contraria a la cara y el cuerpo.

**ADVERTENCIA:** Siempre lleve la debida protección auditiva personal en conformidad con ANSI S12.6 (S3.19) durante el uso de esta herramienta. Bajo algunas condiciones y duraciones de uso, el ruido producido por este producto puede contribuir a la pérdida auditiva.

**ATENCIÓN:** Cuando no esté en uso, guarde la herramienta apoyada en un costado sobre una superficie estable, donde no interrumpa el paso o provoque una caída. Algunas herramientas pueden colocarse paradas, pero pueden caerse fácilmente.

- Los orificios de ventilación suelen cubrir piezas en movimiento, por lo que también se deben evitar. Las piezas en movimiento pueden atrapar prendas de vestir sueltas, joyas o el cabello largo.
- Los hilos del alargador deben ser de un calibre apropiado (AWG o American Wire Gauge) para su seguridad. Mientras menor sea el calibre del hilo, mayor la capacidad del cable. Es decir, un hilo calibre 16 tiene mayor capacidad que uno de 18. Un cable de un calibre insuficiente causará una caída en la tensión de la línea dando por resultado una pérdida de energía y sobrecalentamiento. Cuando se utilice más de un alargador para completar el largo total, asegúrese que los hilos de cada alargador tengan el calibre mínimo. La tabla siguiente muestra el tamaño correcto a utilizar, dependiendo de la longitud del cable y del amperaje nominal de la placa de identificación. Si tiene dudas sobre cuál calibre usar, use un calibre mayor. Cuanto menor sea el número del calibre, más resistente será el cable.

Calibre mínimo de conjuntos de cables

Voltios		Longitud total del cable en pies (metros)			
120 V		25 (7,6)	50 (15,2)	100 (30,5)	150 (45,7)
240 V		50 (15,2)	100 (30,5)	200 (61,0)	300 (91,4)
Amperaje nominal		AWG			
Más de	Más de				
0	6	18	16	16	14
6	10	18	16	14	12
10	12	16	16	14	12
12	16	14	12	No recomendado	

- L'étiquette apposée sur votre outil peut inclure les symboles suivants. Les symboles et leur définition sont indiqués ci-après :
- V ..... volts
  - W ..... watts
  - Hz ..... hertz
  - ~ ou AC ..... courant alternatif
  - ∞ ou AC/DC ..... courant alternatif ou continu
  - — — ou DC ..... courant continu
  - Ⓢ ..... fabrication classe I (mis à la terre)
  - Ⓢ ..... fabrication classe II (double isolation)
  - ... /min ..... par minute
  - n<sub>0</sub> ..... vitesse à vide
  - BPM ..... battements par minute
  - n ..... vitesse nominale
  - ⊕ ..... borne de terre
  - IPM ..... impacts par minute
  - ⚠ ..... symbole d'avertissement
  - RPM ..... révolutions par minute
  - ⚠ ..... radiation visible
  - sfpm (plpm) ..... pieds linéaires par minute
  - Ⓢ ..... protection respiratoire
  - SPM (FPM) ..... fréquence par minute
  - Ⓢ ..... protection oculaire
  - OPM ..... oscillations por minuto
  - Ⓢ ..... protection auditive
  - A ..... ampères
  - Ⓢ ..... lire toute la documentation
  - IPXX ..... symbole IP

**Motor**

Asegúrese de que la fuente de energía concuerde con lo que se indica en la placa. Un descenso en el voltaje de más del 10% producirá una pérdida de potencia y sobrecalentamiento. Todas las herramientas son probadas en fábrica; si esta herramienta no funciona, verifique el suministro eléctrico.

**Uso Debido**

Este aparato está diseñado para aplicaciones de corte domésticas en exteriores. **NO** use en condiciones húmedas ni en presencia de líquidos o gases inflamables. **NO** permita que los niños toquen la herramienta. Si el operador no tiene experiencia operando esta herramienta, su uso deberá ser supervisado.

**MONTAJE Y AJUSTES**

**ADVERTENCIA:** Para reducir el riesgo de lesiones personales, apague la unidad y desconéctela de la fuente de energía antes de realizar cualquier ajuste o retirar/instalar conexiones o accesorios. Una activación de arranque accidental puede causar lesiones.

**ADVERTENCIA:** Desenchufe la podadora antes de intentar sujetar la protección, la GUÍA DE BORDES O LA MANIJA. NUNCA OPERE LA HERRAMIENTA SIN LA PROTECCIÓN FIRMEMENTE EN SU LUGAR. LA PROTECCIÓN SIEMPRE DEBE ESTAR EN LA HERRAMIENTA PARA PROTEGER EL USUARIO.

## Conexión de la Protección (Fig. C, D)

**⚠ ADVERTENCIA:** *NUNCA OPERE la podadora SIN LA PROTECCIÓN FIRMEMENTE EN SU LUGAR.*

1. Gire la podadora al revés de forma que usted mire hacia abajo al carrete **10**.
2. Retire el tornillo de la protección con un destornillador Phillips.
3. Gire la protección **9** boca abajo y deslícela completamente en el alojamiento del motor **8**. Asegúrese que las lengüetas **12** de la protección se conecten con las costillas **13** del alojamiento del motor como se muestra en la Fig. D. La lengüeta de bloqueo **14** debería haberse conectado a presión en la ranura del alojamiento **16**.
4. Continúe deslizando la protección hasta que escuche que "se conecta" en su lugar.
5. Inserte el tornillo de la protección para completar el ensamble de protección.
6. Una vez que la protección esté instalada, retire la cubierta de la cuchilla de corte de línea, ubicada en el borde de la protección.

Fig. C

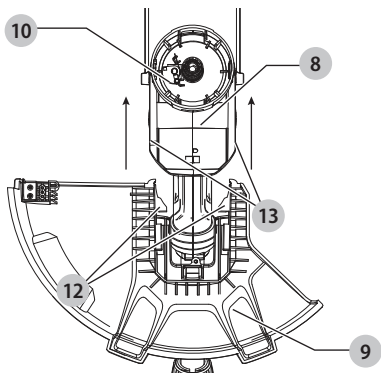
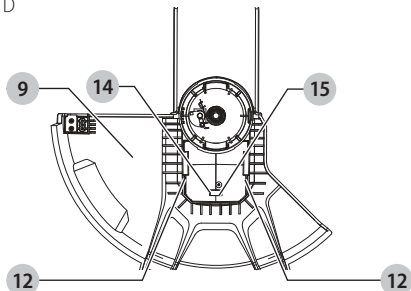


Fig. D



## Conexión de la Manija Auxiliar (Fig. E, F, G)

1. Para conectar la manija **6**, presione los botones **16** en ambos lados del alojamiento superior como se muestra en la Fig. E.
2. Coloque la manija como se muestra en la Fig. F, haciendo coincidir el lado ranurado de la manija con el botón ranurado. Empuje parcialmente la manija para que sostenga los botones cuando los suelte con la mano.

3. Empuje la manija completamente sobre el alojamiento y colóquela ligeramente hasta que "se conecte" en su lugar.
4. Para ajustar la manija hacia arriba o hacia abajo, presione el botón y eleve o baje la manija como se muestra en la Fig. G.
5. La manija se debe ajustar para que su brazo delantero esté recto cuando la desbrozadora esté en la posición de trabajo.

Fig. E

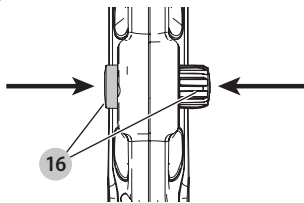


Fig. F

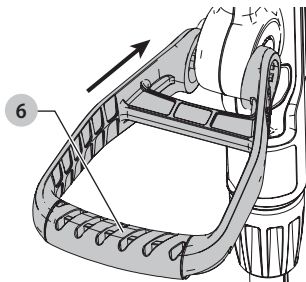
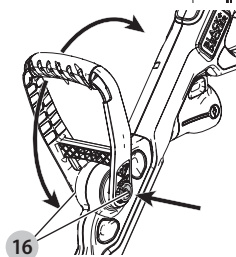


Fig. G



## Conexión de Cable de Extensión (Fig. A)

Un retenedor del cable de extensión **3** está integrado en la manija del interruptor que evita que el cable se desconecte.

1. Para usar esta función, simplemente doble el cable de extensión aproximadamente 8" (203 mm) desde el extremo, y enróllalo alrededor del retenedor del cable **3**. Tire suavemente del cable para asegurarse que esté retenido firmemente en la manija de la desbrozadora.
2. Conecte el extremo del receptáculo del cable de extensión en el enchufe del cable de energía **4** de la podadora.

## Libерación de la Cuerda de Corte

Al despacharse de la fábrica, la cuerda de corte está sujeta con cinta a la cubierta del carrete.

1. Quite la cinta que sujeta la cuerda de corte a la cubierta del carrete.
2. Consulte **Reemplazo del carrete** para obtener instrucciones sobre cómo extraer el carrete.

## OPERACIÓN

**⚠️ ADVERTENCIA:** Para reducir el riesgo de lesiones personales, apague la unidad y desconéctela de la fuente de energía antes de realizar cualquier ajuste o retirar/instalar conexiones o accesorios. Una activación de arranque accidental puede causar lesiones.

**⚠️ ADVERTENCIA:** Utilice siempre una protección para los ojos adecuada que cumpla con la norma ANSI Z87.1 (CAN / CSA Z94.3) mientras opera este aparato.

**⚠️ ATENCIÓN:** Antes de comenzar a recortar, utilice sólo el tipo de línea de corte apropiado.

**⚠️ ATENCIÓN:** Revise el área a recortar y retire cualquier alambre, cuerda u objetos similares a cuerdas que pudieran enredarse en la línea giratoria o en el carrete. Tenga especial cuidado para evitar cualquier alambre que pueda doblarse hacia fuera en la trayectoria de la podadora, tal como púas en la base de una cerca de eslabón de cadena.

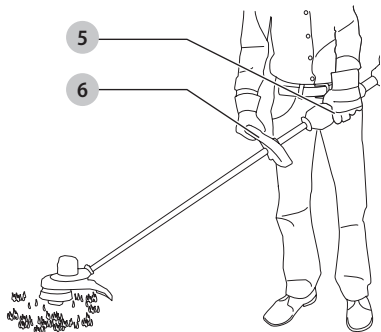
### Posición Adecuada de las Manos (Fig. H)

**⚠️ ADVERTENCIA:** Para reducir el riesgo de lesión personal grave, tenga **SIEMPRE** las manos en una posición adecuada como se muestra.

**⚠️ ADVERTENCIA:** Para reducir el riesgo de lesión personal grave, sujete **SIEMPRE** bien en caso de que haya una reacción repentina.

La posición de manos adecuada requiere una mano en el mango del interruptor **5** y la otra sobre la manija de travesaño **6**.

Fig. H



### Encendido y Apagado (Fig. A)

1. Para encender la podadora, oprima el interruptor de gatillo **1**.
2. Para apagar la podadora, libere el interruptor de gatillo.

### Operación de la Podadora (Fig. I, J, K)

1. Con la unidad encendida, coloque en ángulo la unidad y gire lentamente la podadora de lado a lado como se muestra en la Fig. I.
2. Mantenga una distancia mínima de 610 mm (24") entre la protección y sus pies. Para lograr esta distancia, ajuste la altura total de la podadora como se muestra en la Fig. J.
3. Mantenga un ángulo de 5° a 10° como se muestra en la Fig. K. No exceda 10° (Fig. K). Corte la punta de la línea. Fig. I

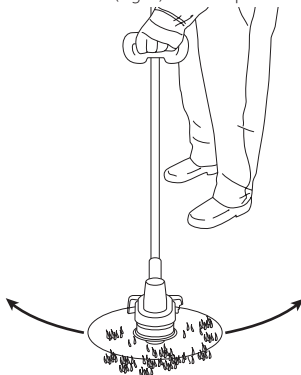


Fig. J

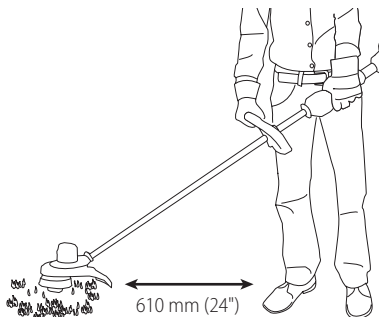


Fig. K



## Botón de Alimentación (Fig. A)

La función de Alimentación le permite avanzar la longitud de la línea de corte disponible mientras corta.

Para extender la línea de corte, presione completamente el botón de alimentación **2** mientras corta y después libere.

**NOTA:** La podadora dejará de cortar cuando se presione el botón de alimentación y reanudará el corte cuando se libere.

- Para obtener la longitud de línea máxima, presione el botón varias veces hasta que escuche la línea de corte golpeando la protección.

**NOTA:** Es normal que una pequeña cantidad de línea se alimente cuando arranque la podadora. Esto ayuda a asegurar que está trabajando con un tamaño de listón completo.

## Conversión a Modo de Borde (Fig. A, L)

La podadora se puede utilizar en el modo de recorte o el modo de borde para recortar el césped colgante a lo largo de los bordes del césped y las jardineras.

**⚠ ADVERTENCIA:** *Desconecte el enchufe de la fuente de energía antes de realizar cualquier ajuste.*

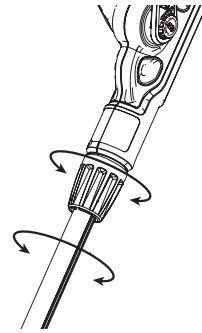
**⚠ ADVERTENCIA:** *Cuando se utiliza como bordeadora, las piedras, piezas de metal y otros objetos pueden ser lanzados a alta velocidad por la línea. La podadora y la protección están diseñadas para reducir el peligro. Sin embargo, ASEGÚRESE que otras personas y mascotas estén por lo menos a 30 m (100 pies) de distancia.*

1. Para operar como una cuchilla de mantenimiento, gire el collar **7** como se muestra en la Fig. L.
2. Sujete el eje metálico y gire el alojamiento inferior 180° como se muestra en la Fig. L.
3. Gire el collar de regreso hasta que esté apretado.

**NOTA:** El eje metálico y el alojamiento sólo girarán en una dirección.

4. Jale la guía de borde **11** fuera del alojamiento del motor **8** hasta que haga clic en su lugar. Asegúrese que esté completamente conectado y no se pueda empujar fácilmente hacia el alojamiento antes de recortar.
5. Para regresar a la posición de corte, afloje el collar de bloqueo y gire el alojamiento inferior hacia atrás 180° y vuelva a apretar el collar.
6. Jale la guía de borde **11** hacia arriba y afuera alojamiento del motor **8** hasta que haga clic en su lugar.

Fig. L



## Corte de Borde (Fig. A, M)

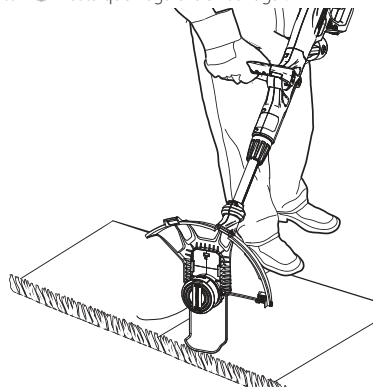
Se obtienen resultados óptimos de corte en bordes de más de 50 mm (2"). No utilice esta podadora para crear zanjas.

1. Con la guía de borde, guíe la desbrozadora como se muestra en la Fig. M.
2. Coloque la guía de borde en el borde de la acera o superficie abrasiva para que la línea de corte se encuentre sobre el área de césped o tierra que se va a cortar.

**NOTA:** Experimentará un desgaste de línea de corte más rápido que lo normal si la guía de borde está situada demasiado lejos del borde con la línea de corte colocada sobre la acera o la superficie abrasiva.

3. Para hacer un corte más cerca, incline ligeramente la desbrozadora.
4. Regrese a la posición de corte aflojando el collar de bloqueo y gire el alojamiento inferior hacia atrás 180°. La herramienta se bloqueará en la posición de desbrozadora.
5. Jale la guía de borde **11** hacia arriba y afuera alojamiento del motor **8** hasta que haga clic en su lugar.

Fig. M



## Línea de Corte / Alimentación de Línea (Fig. M)

Su podadora usa una línea de nylon REDONDA de 1,65 mm (0,065 ") de diámetro. Durante el uso, las puntas de las líneas de nylon se deshilarán y desgastarán. Presione el botón easyfeed para alimentar y recortar una nueva longitud de línea. La línea de corte se desgastará más rápido

y requiere más alimentación si el corte o el borde se realiza a lo largo de aceras u otras superficies abrasivas o hierbas más pesadas están siendo cortadas. No golpee la podadora en el suelo para intentar alimentar la línea o para cualquier otro propósito.

## Consejos Útiles de Corte

- Utilice la punta de la cuerda para hacer el corte; no fuerce la cabeza de la cuerda en el césped sin cortar.
- Las cercas de alambre y picos causan un desgaste adicional en las cuerdas, incluso ruptura. Las piedras y paredes de ladrillo, aceras y madera pueden desgastar la cuerda rápidamente.
- No permita que la tapa del carrete arrastre sobre el suelo u otras superficies.
- En el crecimiento largo, corte de arriba abajo y no exceda 304,8 mm (12") de alto.
- Mantenga la podadora inclinada hacia el área que se está cortando; ésta es la mejor zona de corte.
- La podadora corta al pasar la unidad de izquierda a derecha. Esto evitará arrojar residuos al operador.
- Evite árboles y arbustos. Corteza de árbol, molduras de madera, revestimiento, y postes de cercas puede dañarse fácilmente por la cuerda.

## MANTENIMIENTO

**ADVERTENCIA:** Para reducir el riesgo de lesiones personales, apague la unidad y desconéctela de la fuente de energía antes de realizar cualquier ajuste o retirar/instalar conexiones o accesorios. Una activación de arranque accidental puede causar lesiones.

1. Mantenga limpias las ranuras de entrada de aire para evitar el sobrecalentamiento.
2. La línea de su recortadora puede secarse con el tiempo. Para mantener su línea en perfectas condiciones, almacene los carretes pre enrollados de repuesto o la línea a granel en una bolsa de plástico sellable con una cucharada de agua.
3. Las partes de plástico se pueden limpiar con un jabón suave y un trapo húmedo.
4. El cortador de línea en el borde de la protección puede perder filo con el tiempo. Se recomienda retocar periódicamente el filo de la hoja con una lima.

## Limpieza

**ADVERTENCIA:** Sople la suciedad y el polvo de todos los conductos de ventilación con aire seco, al menos una vez por semana. Para reducir el riesgo de lesiones, utilice siempre protección para los ojos aprobada ANSI Z87.1 al realizar esta tarea.

**ADVERTENCIA:** Nunca utilice solventes ni otros químicos abrasivos para limpiar

las piezas no metálicas de la herramienta. Estos productos químicos pueden debilitar los materiales plásticos utilizados en estas piezas. Utilice un paño humedecido sólo con agua y jabón neutro. Nunca permita que penetre líquido dentro de la herramienta ni sumerja ninguna de las piezas en un líquido.

## Accesorios

**ADVERTENCIA:** Debido a que no se han probado con este producto otros accesorios que no sean los que ofrece CRAFTSMAN, el uso de dichos accesorios con esta herramienta podría ser peligroso. Para reducir el riesgo de lesiones, con este producto deben usarse sólo los accesorios recomendados por CRAFTSMAN.

Los accesorios que se recomiendan para utilizar con la herramienta están disponibles a un costo adicional en su distribuidor local o en un centro de mantenimiento autorizado. Si necesita ayuda para localizar algún accesorio, póngase en contacto con CRAFTSMAN, llame al 1-888-331-4569.

**ADVERTENCIA:** El uso de cualquier accesorio no recomendado por Craftsman para uso con esta herramienta podría ser peligroso.

**ATENCIÓN:** Antes de comenzar a recortar, utilice sólo el tipo de línea de corte apropiado.

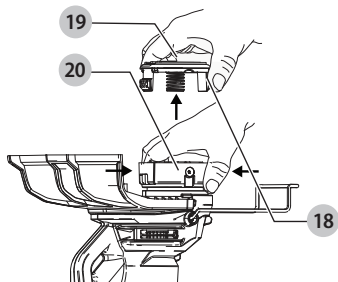
Use el carrete de reemplazo Craftsman Modelo no. CMZST065. Vuelva a cargar la línea de nylon (ya sea a granel o del carrete de reemplazo pre-enrollado) como se muestra en este manual.

- SÓLO USE LÍNEA DE NYLON REDONDA DE 1,65 mm (0,065 ") DE DIÁMETRO. No utilice una línea de calibre serrado o más grueso, ya que sobrecargarán el motor y causarán sobrecalentamiento. Esta línea está disponible en su concesionario local o centro de servicio autorizado.
- Otras partes de repuesto (protecciones, tapas de carretes, etc.) están disponibles a través de los centros de servicio Craftsman. Para encontrar su ubicación de servicio local, llame al: 888-331-4569 o visite [www.craftsman.com](http://www.craftsman.com).

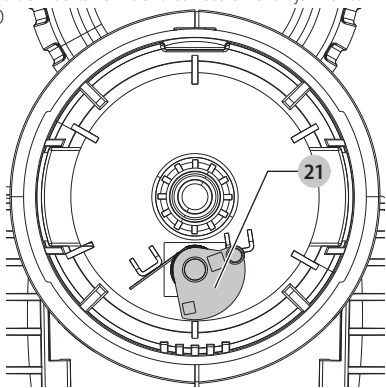
## Reemplazo del Carrete (Fig. N, O, P, Q)

**⚠ ADVERTENCIA:** Para reducir el riesgo de lesiones personales, apague la unidad y desconéctela de la fuente de energía antes de realizar cualquier ajuste o retirar/instalar conexiones o accesorios. Un arranque accidental puede causar lesiones.

1. Desconecte la podadora.
2. Presione las lengüetas **18** y retire la tapa del carrete **19** del alojamiento del carrete **20** en el cabezal de la podadora (Fig. N).  
Fig. N

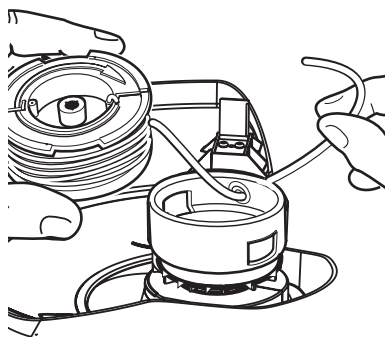


3. Para mejores resultados, reemplace el carrete con el Modelo Craftsman no. CMZST065.
4. Sujete el carrete vacío con una mano y el alojamiento del carrete con la otra mano y jale el carrete hacia afuera.
5. Si la palanca **21** (Fig. O) en la base del alojamiento se desprende, vuelva a colocarla en la posición correcta antes de insertar el nuevo carrete en el alojamiento.  
Fig. O



6. Retire la suciedad y el césped del carrete y el alojamiento.
7. Afloje el extremo de la línea de corte y guíe la línea hacia el ojal **23** Fig. P.

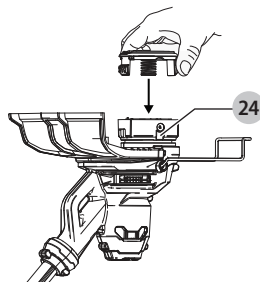
Fig. P



8. Tome el nuevo carrete y empujelo sobre el borde **22** del alojamiento (Fig. N). Gire el carrete ligeramente hasta que se asiente. La línea debe sobresalir aproximadamente a 136 mm (5-3/8") del alojamiento.
9. Alinee las lengüetas de la tapa del carrete con las ranuras **24** del alojamiento (Fig. Q).
10. Empuje la tapa sobre el alojamiento hasta que se conecte firmemente en su lugar.

**⚠ ATENCIÓN:** Para evitar daños de la podadora, si la línea de corte sobresale más allá de la cuchilla de corte, córtela de modo que sólo llegue a la cuchilla.

Fig. Q



## Rebobinado de Carrete de Línea a Granel (Fig. R, S, T)

(sólo use línea REDONDA de 1,65 mm [0,065"] de diámetro)

La línea a granel también está disponible para su compra en su distribuidor local. **NOTA:** Los carretes enrollados manualmente de la línea a granel probablemente se enredarán con más frecuencia que los carretes enrollados de fábrica de Craftsman. Para obtener mejores resultados, se recomienda utilizar carretes enrollados en fábrica.

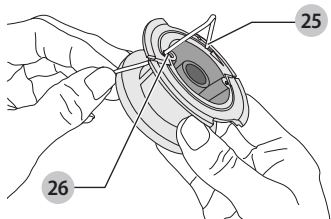
**Para instalar la línea a granel, siga los pasos a continuación:**

1. Desconecte la podadora.
2. Retire el carrete vacío de la podadora como se describe en **Reemplazo de Carrete**.
3. Retire cualquier línea de corte restante del carrete.
4. Realice un pliegue en el extremo de la línea de corte a aproximadamente 19 mm (3/4") **25**. Alimente la línea



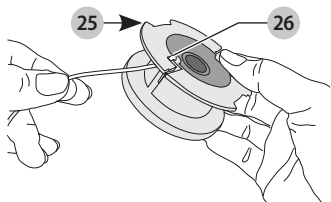
de corte en una de las ranuras de anclaje de línea **26** como se muestra en la Fig. R.

Fig. R



5. Inserte el extremo de 19 mm (3/4") **25** de la línea a granel en el orificio **26** en el carrete adyacente a la ranura como se muestra en la Fig. R. Asegúrese que la línea esté apretada contra el carrete como se muestra en la Fig. T.

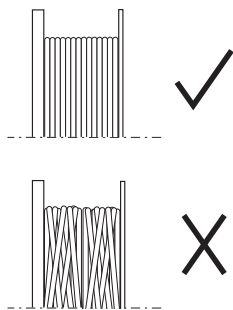
Fig. S



6. Enrolle la línea de corte en el carrete en la dirección de la flecha en el carrete. Asegúrese de enrollar la línea en forma ordenada y en capas. No enrolle de forma cruzada (Fig. T).
7. Cuando la línea de corte enrollada alcance los hundimientos), corte la línea. (Fig. R).
8. Coloque el carrete en la podadora como se describe en **Reemplazo de Carrete.**

**⚠ ATENCIÓN:** Antes de comenzar a recortar, utilice sólo el tipo de línea de corte apropiado.

Fig. S



## Reparaciones

**⚠ ADVERTENCIA:** Para asegurar la **SEGURIDAD** y la **CONFIABILIDAD** del producto, las reparaciones, el mantenimiento y los ajustes (inclusive la inspección y el cambio de las escobillas, cuando proceda) deben ser realizados en un centro de mantenimiento en la fábrica CRAFTSMAN u en un centro de mantenimiento autorizado CRAFTSMAN. Utilice siempre piezas de repuesto idénticas.

**Para reparación y servicio de sus herramientas eléctricas, favor de dirigirse al Centro de Servicio más cercano**

### CULIACAN, SIN

Blvd. Emiliano Zapata 5400-1 Poniente Col. (667) 717 89 99  
San Rafael

### GUADALAJARA, JAL

Av. La Paz #1779 - Col. Americana Sector (33) 3825 6978  
Juárez

### MEXICO, D.F.

Eje Central Lázaro Cárdenas No. 18 - Local (55) 5588 9377  
D. Col. Obrera

### MERIDA, YUC

Calle 63 #459-A - Col. Centro (999) 928 5038

### MONTERREY, N.L.

Av. Francisco I. Madero 831 Poniente - Col. (818) 375 23 13  
Centro

### PUEBLA, PUE

17 Norte #205 - Col. Centro (222) 246 3714

### QUERETARO, QRO

Av. San Roque 274 - Col. San Gregorio (442) 2 17 63 14

### SAN LUIS POTOSI, SLP

Av. Universidad 1525 - Col. San Luis (444) 814 2383

### TORREON, COAH

Blvd. Independencia, 96 Pte. - Col. Centro (871) 716 5265

### VERACRUZ, VER

Prolongación Díaz Mirón #4280 - Col. (229) 921 7016  
Remes

### VILLAHERMOSA, TAB

Constitución 516-A - Col. Centro (993) 312 5111

### PARA OTRAS LOCALIDADES:

**Si se encuentra en México, por favor llame al (55) 5326 7100**

**Si se encuentra en U.S., por favor llame al 1-888-331-4569**

## Póliza de Garantía

IDENTIFICACIÓN DEL PRODUCTO:

Sello o firma del Distribuidor.

Nombre del producto: \_\_\_\_\_

Mod./Cat.: \_\_\_\_\_

Marca: \_\_\_\_\_

Núm. de serie: \_\_\_\_\_

(Datos para ser llenados por el distribuidor)

Fecha de compra y/o entrega del producto:

Nombre y domicilio del distribuidor donde se adquirió el producto:

Este producto está garantizado por un año a partir de la fecha de entrega, contra cualquier defecto en su funcionamiento, así como en materiales y mano de obra empleados para su fabricación. Nuestra garantía incluye la reparación o reposición del producto y/o componentes sin cargo alguno para el cliente, incluyendo mano de obra, así como los gastos de transportación razonablemente erogados derivados del cumplimiento de este certificado. Para hacer efectiva esta garantía deberá presentar su herramienta y esta póliza sellada por el establecimiento comercial donde se adquirió el producto, de no contar con ésta, bastará la factura de compra.

### Excepciones

Esta garantía no será válida en los siguientes casos:

- Cuando el producto se hubiese utilizado en condiciones distintas a las normales;
- Cuando el producto no hubiese sido operado de acuerdo con el instructivo de uso que se acompaña;
- Cuando el producto hubiese sido alterado o reparado por personas distintas a las enlistadas al final de este certificado.

Anexo encontrará una relación de sucursales de servicio de fábrica, centros de servicio autorizados y franquiciados en la República Mexicana, donde podrá hacer efectiva su garantía y adquirir partes, refacciones y accesorios originales.

Solamente para propósito de México:

Importado por: Craftsman Tool Co. S.A. de C.V.  
 Avenida Antonio Dovali Jaime, # 70 Torre B Piso 9  
 Colonia La Fe, Santa Fé  
 Código Postal : 01210  
 Delegación Alvaro Obregón  
 México D.F.  
 Tel. (52) 555-326-7100  
 R.F.C.: BDE810626-1W7

## Versatrack™ (Fig. U)

**ADVERTENCIA:** Para reducir el riesgo de lesiones personales, apague la unidad y desconéctela de la fuente de energía antes de realizar cualquier ajuste o retirar/instalar conexiones o accesorios. Una activación de arranque accidental puede causar lesiones.

**ADVERTENCIA:** Para reducir el riesgo de lesiones personales graves, no use un gancho para colgar Versatrack™ o Trackwall de Versatrack™ dañados. Un gancho para colgar Versatrack™ o Trackwall de Versatrack™ dañados no soportarán el peso de la herramienta.

**ADVERTENCIA:** Para reducir el riesgo de lesiones personales graves, NO suspenda la herramienta por encima ni cuelgue objetos del gancho. SÓLO suspenda la herramienta en el Trackwall de Versatrack™ con el gancho para colgar Versatrack™.

**ADVERTENCIA:** El gancho integral para colgar Versatrack™ está diseñado para montar la herramienta en un riel Trackwall de Versatrack™. No use el gancho de colgar integral para montar la herramienta en ninguna otra superficie.

**ADVERTENCIA:** El gancho de colgar integral Versatrack™ no es un gancho de cinturón.

**ADVERTENCIA:** Cuando cuelgue objetos en el riel Trackwall de Versatrack™, espacie adecuadamente las herramientas para no exceder 75 lbs (35 kg) por pie lineal.

**ADVERTENCIA:** Antes de usar la herramienta, asegúrese que el gancho de colgar integral Versatrack™ vuelva a su posición original

**IMPORTANTE:** Los accesorios Versatrack™ montan herramientas compatibles con seguridad al sistema Trackwall de Versatrack™.

1. Apague la herramienta, retire los accesorios y desconéctelo de la fuente de alimentación.

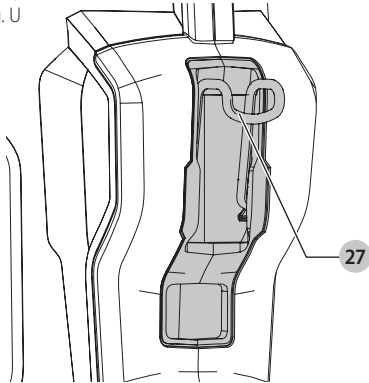
**ATENCIÓN:** Cualquier producto con dientes de corte expuestos debe tenerlos cubiertos de forma segura si va a estar en el Trackwall de Versatrack™.

2. Voltee o abra el gancho de colgar integral **(27)**. Hace clic cuando está bloqueado en su posición.

3. Monte el gancho de colgar integral en el Trackwall de Versatrack™.

**NOTA:** Los accesorios Versatrack™ para uso con su herramienta están disponibles por un costo adicional a partir de su distribuidor local o centro de servicio autorizado. Si necesita ayuda para encontrar cualquier accesorio, comuníquese con CRAFTSMAN, llame al **1-888-331-4569**.

Fig. U



## Registro en Línea

Gracias por su compra. Registre su producto ahora para:

- **SERVICIO EN GARANTÍA:** Si completa esta tarjeta, podrá obtener un servicio en garantía más eficiente, en caso de que exista un problema con su producto.
- **CONFIRMACIÓN DE PROPIEDAD:** En caso de una pérdida que cubra el seguro, como un incendio, una inundación o un robo, el registro de propiedad servirá como comprobante de compra.
- **PARA SU SEGURIDAD:** Si registra el producto, podremos comunicarnos con usted en el caso improbable que se deba enviar una notificación de seguridad conforme a la Federal Consumer Safety Act (Ley Federal de Seguridad de Productos para el Consumidor).
- Registro en línea en **[www.craftsman.com/registration](http://www.craftsman.com/registration)**.

## Garantía Limitada por Tres Años

CRAFTSMAN reparará o reemplazará, sin cargo, cualquier defecto debido a materiales o mano de obra defectuosos por tres años desde la fecha de compra. Esta garantía no cubre falla de partes debido al desgaste normal o abuso de la herramienta. Para detalles adicionales de la cobertura de la garantía e información de reparación de garantía, visite **[www.craftsman.com](http://www.craftsman.com)** o llame al **1-888-331-4569**. Esta garantía no se aplica a accesorios o daño causado cuando otros hayan realizado o intentado reparaciones. ESTA GARANTÍA LIMITADA SE OTORGA EN LUGAR DE TODAS LAS DEMÁS, INCLUIDA LA GARANTÍA IMPLÍCITA DE COMERCIABILIDAD E IDONEIDAD PARA UN PROPÓSITO EN PARTICULAR, Y EXCLUYE TODOS LOS DAÑOS INCIDENTALES O EN CONSECUENCIA. Algunos estados no permiten limitaciones sobre la duración de una garantía implícita o la exclusión o limitación de daños incidentales o en consecuencia, por lo que estas limitaciones pueden no aplicarse en su caso. Esta garantía le da derechos legales específicos y puede tener otros derechos que varían en ciertos estados o provincias.

### GARANTÍA DE REEMBOLSO DE SU DINERO POR 90 DÍAS

Si no está completamente satisfecho con el desempeño de su máquina herramienta o clavadora CRAFTSMAN, cualquiera sea el motivo, podrá devolverlo hasta 90 días de la fecha de compra con su recibo y obtener el reembolso completo de su dinero – sin necesidad de responder a ninguna pregunta.

**AMÉRICA LATINA:** Esta garantía no se aplica a los productos que se venden en América Latina. Para los productos que se venden en América Latina, debe consultar la información de la garantía específica del país que viene en el empaque, llamar a la compañía local o visitar el sitio Web a fin de obtener esa información.

**REEMPLAZO GRATUITO DE LAS ETIQUETAS DE ADVERTENCIAS:** Si sus etiquetas de advertencia se vuelven ilegibles o faltan, llame al **1-888-331-4569** para que se le reemplacen gratuitamente.

