

# CRAFTSMAN®

INSTRUCTION MANUAL | GUIDE D'UTILISATION | MANUAL DE INSTRUCCIONES

## **6A Variable Speed Orbital Jig Saw** **6A Scie sauteuse orbitale à vitesse variable** **Sierra Caladora Orbital de Velocidad Variable de 6A**

**CMES612**



IF YOU HAVE QUESTIONS OR COMMENTS, CONTACT US.  
POUR TOUTE QUESTION OU TOUT COMMENTAIRE, NOUS CONTACTER.  
SI TIENE DUDAS O COMENTARIOS, CONTÁCTENOS.

**1-888-331-4569**

**WWW.CRAFTSMAN.COM**

---

English (***original instructions***)

1

---

Français (*traduction de la notice d'instructions originale*)

9

---

Español (*traducido de las instrucciones originales*)

17

---

## Definitions: Safety Alert Symbols and Words

This instruction manual uses the following safety alert symbols and words to alert you to hazardous situations and your risk of personal injury or property damage.



**DANGER:** Indicates an imminently hazardous situation which, if not avoided, **will** result in **death or serious injury**.



**WARNING:** Indicates a potentially hazardous situation which, if not avoided, **could** result in **death or serious injury**.



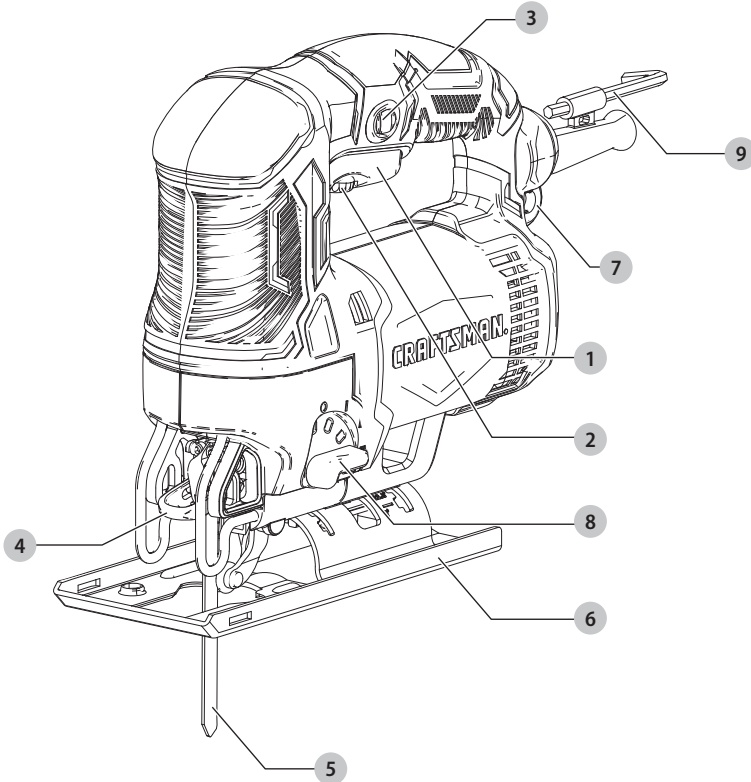
**CAUTION:** Indicates a potentially hazardous situation which, if not avoided, **may** result in **minor or moderate injury**.



(Used without word) Indicates a safety related message.

**NOTICE:** Indicates a practice **not related to personal injury** which, if not avoided, **may** result in **property damage**.

Fig. A



### COMPONENTS

- 1 Variable speed switch
- 2 Speed control trigger
- 3 Lock-on button
- 4 Saw blade locking lever
- 5 Jig saw blade
- 6 Shoe
- 7 CRAFTSMAN accessory attachment location
- 8 Orbital action lever
- 9 Hex wrench



**WARNING:** Read all safety warnings and all instructions. Failure to follow the warnings and instructions may result in electric shock, fire and/or serious injury.



**WARNING:** Never modify the product or any part of it. Damage or personal injury could result.



**WARNING:** To reduce the risk of injury, read the instruction manual.

If you have any questions or comments about this or any product, call CRAFTSMAN toll free at: 1-888-331-4569.

## 6A Variable Speed Orbital Jig Saw CMES612

### GENERAL POWER TOOL SAFETY WARNINGS



**WARNING:** Read all safety warnings, instructions, illustrations and specifications provided with this power tool. Failure to follow all instructions listed below may result in electric shock, fire and/or serious injury.

#### SAVE ALL WARNINGS AND INSTRUCTIONS FOR FUTURE REFERENCE

The term "power tool" in the warnings refers to your mains-operated (corded) power tool or battery-operated (cordless) power tool.

#### 1) Work Area Safety

- a) **Keep work area clean and well lit.** Cluttered or dark areas invite accidents.
- b) **Do not operate power tools in explosive atmospheres, such as in the presence of flammable liquids, gases or dust.** Power tools create sparks which may ignite the dust or fumes.
- c) **Keep children and bystanders away while operating a power tool.** Distractions can cause you to lose control.

#### 2) Electrical Safety

- a) **Power tool plugs must match the outlet. Never modify the plug in any way. Do not use any adapter plugs with earthed (grounded) power tools.** Unmodified plugs and matching outlets will reduce risk of electric shock.
- b) **Avoid body contact with earthed or grounded surfaces such as pipes, radiators, ranges and refrigerators.** There is an increased risk of electric shock if your body is earthed or grounded.
- c) **Do not expose power tools to rain or wet conditions.** Water entering a power tool will increase the risk of electric shock.
- d) **Do not abuse the cord. Never use the cord for carrying, pulling or unplugging the power tool. Keep cord away from heat, oil, sharp edges or moving parts.** Damaged or entangled cords increase the risk of electric shock.
- e) **When operating a power tool outdoors, use an extension cord suitable for outdoor use.** Use of a cord suitable for outdoor use reduces the risk of electric shock.
- f) **If operating a power tool in a damp location is unavoidable, use a ground fault circuit interrupter (GFCI) protected supply.** Use of a GFCI reduces the risk of electric shock.

#### 3) Personal Safety

- a) **Stay alert, watch what you are doing and use common sense when operating a power tool. Do not use a power tool while you are tired or under the influence of drugs, alcohol or medication.** A moment of inattention while operating power tools may result in serious personal injury.
- b) **Use personal protective equipment. Always wear eye protection.** Protective equipment such as dust mask, non-skid safety shoes, hard hat, or hearing protection used for appropriate conditions will reduce personal injuries.
- c) **Prevent unintentional starting. Ensure the switch is in the off position before connecting to power source and/or battery pack, picking up or carrying the tool.** Carrying power tools with your finger on the switch or energizing power tools that have the switch on invites accidents.
- d) **Remove any adjusting key or wrench before turning the power tool on.** A wrench or a key left attached to a rotating part of the power tool may result in personal injury.
- e) **Do not overreach. Keep proper footing and balance at all times.** This enables better control of the power tool in unexpected situations.
- f) **Dress properly. Do not wear loose clothing or jewelry. Keep your hair, clothing and gloves away from moving parts.** Loose clothes, jewelry or long hair can be caught in moving parts.
- g) **If devices are provided for the connection of dust extraction and collection facilities, ensure these are connected and properly used.** Use of dust collection can reduce dust-related hazards.
- h) **Do not let familiarity gained from frequent use of tools allow you to become complacent and ignore tool safety principles.** A careless action can cause severe injury within a fraction of a second.

#### 4) Power Tool Use and Care

- a) **Do not force the power tool. Use the correct power tool for your application.** The correct power tool will do the job better and safer at the rate for which it was designed.
- b) **Do not use the power tool if the switch does not turn it on and off.** Any power tool that cannot be controlled with the switch is dangerous and must be repaired.
- c) **Disconnect the plug from the power source and/or remove the battery, pack if detachable, from the power tool before making any adjustments, changing accessories, or storing power tools.** Such preventive safety measures reduce the risk of starting the power tool accidentally.

- d) **Store idle power tools out of the reach of children and do not allow persons unfamiliar with the power tool or these instructions to operate the power tool.** Power tools are dangerous in the hands of untrained users.
- e) **Maintain power tools and accessories. Check for misalignment or binding of moving parts, breakage of parts and any other condition that may affect the power tool's operation. If damaged, have the power tool repaired before use.** Many accidents are caused by poorly maintained power tools.
- f) **Keep cutting tools sharp and clean.** Properly maintained cutting tools with sharp cutting edges are less likely to bind and are easier to control.
- g) **Use the power tool, accessories and tool bits, etc. in accordance with these instructions, taking into account the working conditions and the work to be performed.** Use of the power tool for operations different from those intended could result in a hazardous situation.
- h) **Keep handles and grasping surfaces dry, clean and free from oil and grease.** Slippery handles and grasping surfaces do not allow for safe handling and control of the tool in unexpected situations.

## 5) Service

- a) **Have your power tool serviced by a qualified repair person using only identical replacement parts. This will ensure that the safety of the power tool is maintained.**

## Jig Saw Safety Warnings

- **Hold power tool by insulated gripping surfaces when performing an operation where the cutting tool may contact hidden wiring or its own cord.** Contact with a "live" wire will make exposed metal parts of the tool "live" and shock the operator.
- **Use clamps or another practical way to secure and support the workpiece to a stable platform.** Holding the work by hand or against your body leaves it unstable and may lead to loss of control.
- **Keep hands away from cutting area.** Never reach underneath the material for any reason. Hold front of saw by grasping the contoured gripping area. Do not insert fingers or thumb into the vicinity of the reciprocating blade and blade clamp. Do not stabilize the saw by gripping the shoe.
- **Keep blades sharp.** Dull blades may cause the saw to swerve or stall under pressure.
- **Use extra caution when cutting overhead and pay particular attention to overhead wires which may be hidden from view.** Anticipate the path of falling branches and debris ahead of time.
- **When cutting pipe or conduit ensure that they are free from water, electrical wiring, etc.**

## Additional Safety Information



**WARNING: ALWAYS** use safety glasses. Everyday eyeglasses are NOT safety glasses. Also use face or dust mask if cutting operation is dusty. **ALWAYS WEAR CERTIFIED SAFETY EQUIPMENT:**

- ANSI Z87.1 eye protection (CAN/CSA Z94.3),
- ANSI S12.6 (S3.19) hearing protection,
- NIOSH/OSHA/MSHA respiratory protection.



**WARNING:** Some dust created by power sanding, sawing, grinding, drilling, and other construction activities contains chemicals known to the State of California to cause cancer, birth defects or other reproductive harm. Some examples of these chemicals are:

- lead from lead-based paints,
- crystalline silica from bricks and cement and other masonry products, and
- arsenic and chromium from chemically-treated lumber.

Your risk from these exposures varies, depending on how often you do this type of work. To reduce your exposure to these chemicals: work in a well ventilated area, and work with approved safety equipment, such as those dust masks that are specially designed to filter out microscopic particles.

- **Avoid prolonged contact with dust from power sanding, sawing, grinding, drilling, and other construction activities. Wear protective clothing and wash exposed areas with soap and water.** Allowing dust to get into your mouth, eyes, or lay on the skin may promote absorption of harmful chemicals.



**WARNING:** Use of this tool can generate and/or disperse dust, which may cause serious and permanent respiratory or other injury. Always use NIOSH/OSHA approved respiratory protection appropriate for the dust exposure. Direct particles away from face and body.



**WARNING: Always wear proper personal hearing protection that conforms to ANSI S12.6 (S3.19) during use.** Under some conditions and duration of use, noise from this product may contribute to hearing loss.



**CAUTION:** When not in use, place tool on its side on a stable surface where it will not cause a tripping or falling hazard. Some tools will stand upright but may be easily knocked over.

- **Air vents often cover moving parts and should be avoided.** Loose clothes, jewelry or long hair can be caught in moving parts.
- **An extension cord must have adequate wire size (AWG or American Wire Gauge) for safety.** The smaller the gauge number of the wire, the greater the capacity of the cable, that is, 16 gauge has more capacity than 18 gauge. An undersized cord will cause a drop in line voltage resulting in loss of power and overheating. When using more than one extension to make up the total length, be sure each individual extension contains at least the

ENGLISH

minimum wire size. The following table shows the correct size to use depending on cord length and nameplate ampere rating. If in doubt, use the next heavier gauge. The lower the gauge number, the heavier the cord.

Minimum Gauge for Cord Sets		Total Length of Cord in Feet (meters)			
Volts		25 (7.6)	50 (15.2)	100 (30.5)	150 (45.7)
120 V		25 (7.6)	50 (15.2)	100 (30.5)	150 (45.7)
240 V		50 (15.2)	100 (30.5)	200 (61.0)	300 (91.4)
Ampere Rating More Than	Not More Than	American Wire Gauge			
		0	6	18	16
6	10	18	16	14	12
10	12	16	16	14	12
12	16	14	12	Not Recommended	

The label on your tool may include the following symbols. The symbols and their definitions are as follows:

- V ..... volts
- Hz ..... hertz
- min ..... minutes
- or DC ..... direct current
- ⊕ ..... Class I Construction (grounded)
- .../min ..... per minute
- BPM ..... beats per minute
- IPM ..... impacts per minute
- RPM ..... revolutions per minute
- sfpm ..... surface feet per minute
- SPM ..... strokes per minute
- A ..... amperes
- W ..... watts
- ~ or AC ..... alternating current
- ⎓ or AC/DC ..... alternating or direct current
- ..... Class II Construction (double insulated)
- n<sub>0</sub> ..... no load speed
- n ..... rated speed
- ⊕ ..... earthing terminal
- ⚠ ..... safety alert symbol
- ⚡ ..... visible radiation
- ☉ ..... wear respiratory protection
- 👁 ..... wear eye protection
- 👂 ..... wear hearing protection
- 📖 ..... read all documentation

**SAVE THESE INSTRUCTIONS FOR FUTURE USE**

**Motor**

Be sure your power supply agrees with the nameplate marking. Voltage decrease of more than 10% will cause loss of power and overheating. These tools are factory tested; if this tool does not operate, check power supply.

**Intended Use**

This jig saw is designed for professional applications.

**DO NOT** use under wet conditions or in presence of flammable liquids or gases.

This jig saw is a professional power tool. **DO NOT** let children come into contact with the tool. Supervision is required when inexperienced operators use this tool.

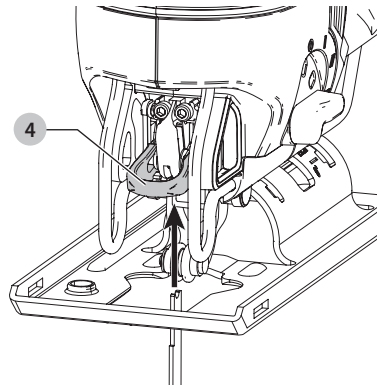
**ASSEMBLY AND ADJUSTMENTS**

**⚠ WARNING:** To reduce the risk of serious personal injury, turn unit off and disconnect it from power source before making any adjustments or removing/installing attachments or accessories. An accidental start-up can cause injury.

**Blade Installation (Fig. B)**

1. Push the saw blade locking lever 4 upward.
2. With teeth facing forward, insert the shank of the saw blade into the blade holder as far as it will go.
3. Release the lever.
4. Check to ensure blade is secure before cutting.

Fig. B



**Adjusting the Shoe for Bevel Cuts (Fig. A, C, D)**

**⚠ WARNING:** Never use the tool when the shoe 6 is loose or removed.

The shoe can be set to a left or right bevel angle up to 45°.

1. Turn saw upside down. Use the hex wrench 9 to loosen the clamping screw 10 and clamp plate 11 as shown in Figure C.
2. Slide the shoe 6 forward and rotate left or right to the required angle.
3. Slide the shoe backward so the shoe plate keyways 12 engage the two lock posts on the tool as shown in Figure D.
4. Tighten clamping screw and clamp plate with its beveled side towards the tool.

Fig. C

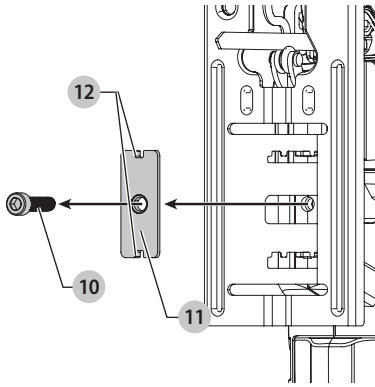
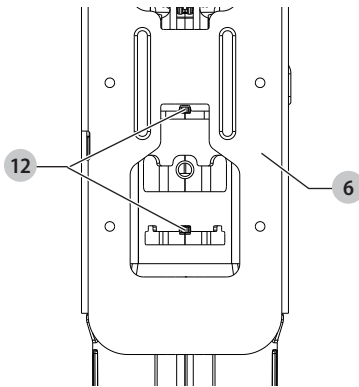


Fig. D



## OPERATION



**WARNING:** To reduce the risk of serious personal injury, turn unit off and disconnect it from power source before making any adjustments or removing/installing attachments or accessories. An accidental start-up can cause injury.

## Proper Hand Position (Fig. E)



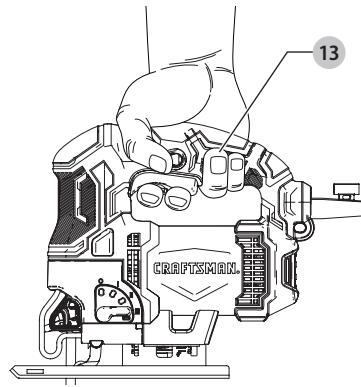
**WARNING:** To reduce the risk of serious personal injury, ALWAYS use proper hand position as shown.



**WARNING:** To reduce the risk of serious personal injury, ALWAYS hold securely in anticipation of a sudden reaction.

Proper hand position requires one hand on the main handle **13**.

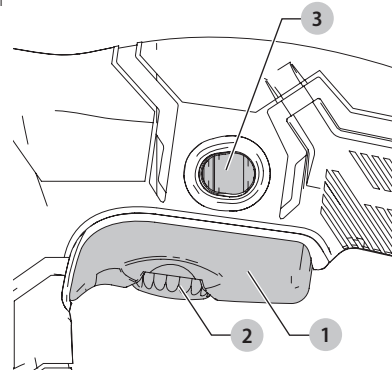
Fig. E



## Switching On and Off (Fig. F)

1. To switch the tool on, depress the variable speed switch **1**. The tool speed depends on how far you depress the switch.
2. For continuous operation, press the lock-on button **3** and release the variable speed switch. This option is available only at full speed.
3. To switch the tool off, release the variable speed switch. To switch the tool off when in continuous operation, press the variable speed switch once more and release it.

Fig. F



## Speed Control Dial (Fig. F)

By rotating the speed control dial **2**, the maximum speed- or strokes-per-minute at which the blade will cut is adjusted. Rotating the dial in the clockwise direction will increase speed. To decrease speed, rotate dial in opposite direction. The maximum speed setting is 7. The minimum speed setting is 1.

## Cutting Action

### Orbital or Straight (Fig. G)



**CAUTION:** Check that the tool is not locked on before connecting it to a power supply. If the trigger switch is locked on when the tool is connected to the power

## ENGLISH

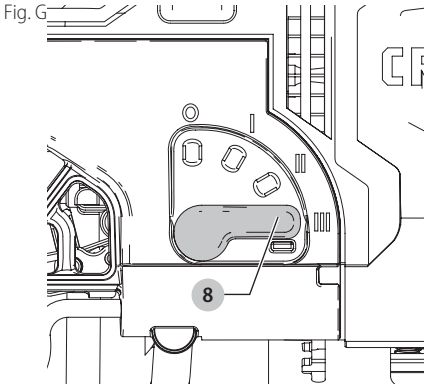
supply, it will start immediately. Damage to your tool or personal injury may result.

This jig saw is equipped with four cutting actions, three orbital and one straight. Orbital action has a more aggressive blade motion and is designed for cutting in soft materials like wood or plastic. Orbital action provides a faster cut, but with a less smooth cut across the material. In orbital action, the blade moves forward during the cutting stroke in addition to the up and down motion.

**NOTE:** Metal or hardwoods should never be cut in orbital action.

### To Adjust the Cutting Action

- Move the cutting action lever **8** between the four cutting positions: 0, 1, 2, and 3. Position 0 is straight cutting. Positions 1, 2, and 3 are orbital cutting. The aggressiveness of the cut increases as the lever is adjusted from one to three, with three being the most aggressive cut.



## Hints for Optimum Use

### Tips for Sawing Laminates

- As the saw blade cuts on the upward stroke, splintering may occur on the surface closest to the shoe plate.
- Use a fine-tooth saw blade.
- Saw from the back surface of the workpiece.
- To minimize splintering, clamp a piece of scrap wood or hardboard to both sides of the workpiece and saw through this sandwich.

### Tips for Sawing Metal

- Be aware that sawing metal takes much more time than sawing wood.
- Use a saw blade suitable for sawing metal.
- When cutting thin metal, clamp a piece of scrap wood to the back surface of the workpiece and cut through this sandwich.
- Spread a film of oil along the intended line of cut for easier operation and longer blade life. For cutting aluminum, kerosene is preferred.

## Pocket Cutting (Fig. H, I)

A pocket cut is an easy method of making an inside cut. The saw can be inserted directly into a panel or board without first drilling a lead or pilot hole. In pocket cutting, measure the surface to be cut and mark clearly with a pencil. Next tip the saw forward until the front end of the shoe sits firmly on the work surface and the blade clears the work through its full stroke. Switch the tool on and allow it to attain maximum speed. Grip the saw firmly and lower the back edge of tool slowly until the blade reaches its complete depth. Hold the shoe flat against the wood and begin cutting. Do not remove blade from cut while it is still moving. Blade must come to a complete stop.

Fig. H

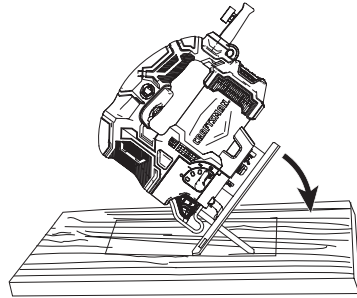
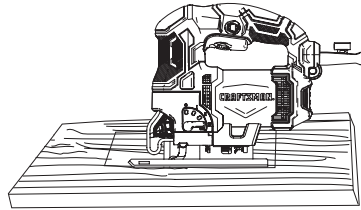


Fig. I



## MAINTENANCE

**!** **WARNING:** To reduce the risk of serious personal injury, turn unit off and disconnect it from power source before making any adjustments or removing/installing attachments or accessories. An accidental start-up can cause injury.

## Accessories

**!** **WARNING:** Since accessories, other than those offered by CRAFTSMAN, have not been tested with this product, use of such accessories with this tool could be hazardous. To reduce the risk of injury, only CRAFTSMAN recommended accessories should be used with this product.

Recommended accessories for use with your tool are available at extra cost from your local dealer or authorized service center. If you need assistance in locating any accessory, please contact CRAFTSMAN, call **1-888-331-4569**.



## Versatrack (Fig. J)

**⚠️ WARNING:** To reduce the risk of serious personal injury, turn unit off and disconnect power source before making any adjustments or removing/ installing attachments or accessories. An accidental start-up can cause injury.

**⚠️ WARNING:** To reduce the risk of serious personal injury, do not use a damaged Versatrack hang hook or Versatrack Trackwall. A damaged Versatrack hang hook or Versatrack Trackwall will not support the weight of the tool.

**⚠️ WARNING:** Ensure that the tool weight does not exceed the maximum rated weight for the selected Versatrack hook.

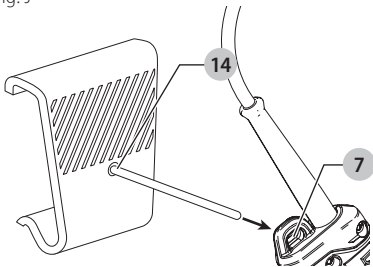
**⚠️ WARNING:** When hanging objects on the Versatrack wall, adequately space the tools in order to not exceed 75 lb (35 kg) per linear foot.

Versatrack accessories mount compatible tools securely to the Versatrack Trackwall.

1. To hang the corded tool onto the Versatrack Trackwall, mount the peg hook 14 on the Versatrack Trackwall.
2. Turn tool off, remove accessories, and disconnect power source.
3. Any product with exposed cutting teeth must have them covered securely if it is to be on the Versatrack.
4. Slide the Versatrack peg hook through the hang loop 7 located on the tool.

Versatrack accessories are only compatible with Versatrack Trackwall system.

**NOTE:** Versatrack accessories for use with your tool are available at extra cost from your local dealer or authorized service center. If you need assistance in locating any accessory, please contact CRAFTSMAN, call 1-888-331-4569. Fig. J



## Repairs

**⚠️ WARNING:** To assure product SAFETY and RELIABILITY, repairs, maintenance and adjustment (including brush inspection and replacement, when applicable) should be performed by a CRAFTSMAN factory service center or a CRAFTSMAN authorized service center. Always use identical replacement parts.

## Cleaning

**⚠️ WARNING:** Blow dirt and dust out of all air vents with clean, dry air at least once a week. To minimize the risk

of eye injury, always wear ANSI Z87.1 approved eye protection when performing this.

**⚠️ WARNING:** Never use solvents or other harsh chemicals for cleaning the non-metallic parts of the tool. These chemicals may weaken the plastic materials used in these parts. Use a cloth dampened only with water and mild soap. Never let any liquid get inside the tool; never immerse any part of the tool into a liquid.

## Register Online

Thank you for your purchase. Register your product now for:

- **WARRANTY SERVICE:** Registering your product will help you obtain more efficient warranty service in case there is a problem with your product.
- **CONFIRMATION OF OWNERSHIP:** In case of an insurance loss, such as fire, flood or theft, your registration of ownership will serve as your proof of purchase.
- **FOR YOUR SAFETY:** Registering your product will allow us to contact you in the unlikely event a safety notification is required under the Federal Consumer Safety Act.

Register online at [www.craftsman.com/registration](http://www.craftsman.com/registration)

## Three Year Limited Warranty

CRAFTSMAN will repair or replace, without charge, any defects due to faulty materials or workmanship for three years from the date of purchase. This warranty does not cover part failure due to normal wear or tool abuse. For further detail of warranty coverage and warranty repair information, visit [www.craftsman.com](http://www.craftsman.com) or call 1-888-331-4569. This warranty does not apply to accessories or damage caused where repairs have been made or attempted by others. THIS LIMITED WARRANTY IS GIVEN IN LIEU OF ALL OTHERS, INCLUDING THE IMPLIED WARRANTY OF MERCHANTABILITY AND FITNESS FOR A PARTICULAR PURPOSE, AND EXCLUDES ALL INCIDENTAL OR CONSEQUENTIAL DAMAGES. Some states do not allow limitations on how long an implied warranty lasts or the exclusion or limitation of incidental or consequential damages, so these limitations may not apply to you. This warranty gives you specific legal rights and you may have other rights which vary in certain states or provinces.

### 90 DAY MONEY BACK GUARANTEE

If you are not completely satisfied with the performance of your CRAFTSMAN Power Tool or Nailer for any reason, you can return it within 90 days from the date of purchase with a receipt for a full refund – no questions asked.

**LATIN AMERICA:** This warranty does not apply to products sold in Latin America. For products sold in Latin America, see country specific warranty information contained in the packaging, call the local company or see website for warranty information.

**FREE WARNING LABEL REPLACEMENT:** If your warning labels become illegible or are missing, call 1-888-331-4569 for a free replacement.

## TROUBLESHOOTING GUIDE

### BE SURE TO FOLLOW SAFETY RULES AND INSTRUCTIONS

For assistance with your product, visit our website at [www.craftsman.com](http://www.craftsman.com) for a list of service centers, or call CRAFTSMAN at 1-888-331-4569.

<b>PROBLEM</b>	<b>CAUSE</b>	<b>CORRECTION</b>
Unit will not start.	Cord not plugged in.	Plug tool into a working outlet.
	Circuit fuse is blown.	Replace circuit fuse. (If the product repeatedly causes the circuit fuse to blow, discontinue use immediately and have it serviced at an authorized service center.)
	Circuit breaker is tripped.	Reset circuit breaker. (If the product repeatedly causes the circuit fuse to blow, discontinue use immediately and have it serviced at an authorized service center.)

## Définitions : symboles et termes d'alarmes sécurité

Ces guides d'utilisation utilisent les symboles et termes d'alarmes sécurité suivants pour vous prévenir de situations dangereuses et de risques de dommages corporels ou matériels.



**DANGER** : indique une situation dangereuse imminente qui, si elle n'est pas évitée, **entraînera la mort ou des blessures graves**.



**AVERTISSEMENT** : indique une situation potentiellement dangereuse qui, si elle n'est pas évitée, **pourrait entraîner la mort ou des blessures graves**.



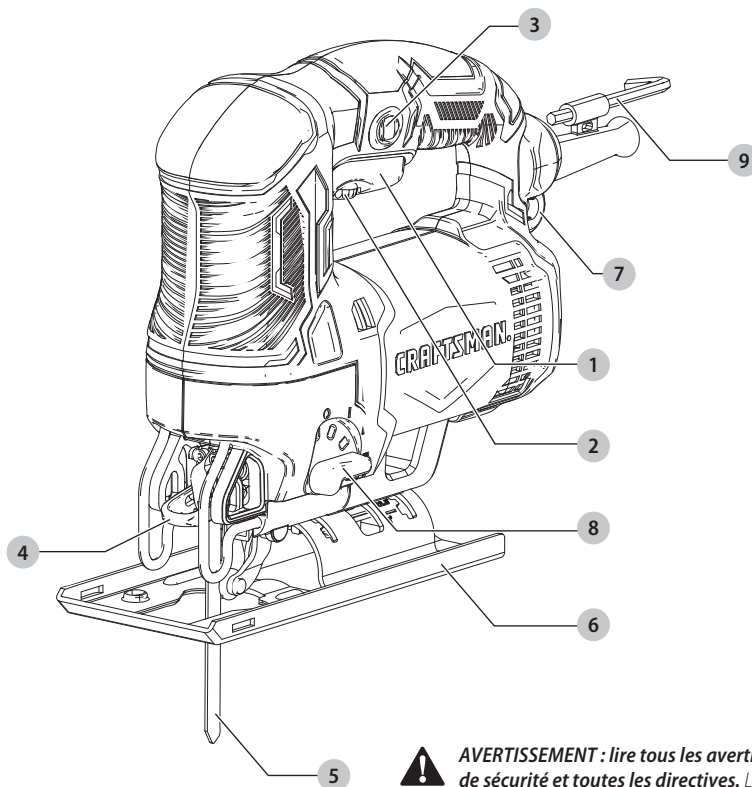
**ATTENTION** : indique une situation potentiellement dangereuse qui, si elle n'est pas évitée, **pourrait entraîner des blessures légères ou modérées**.



(Si utilisé sans aucun terme) Indique un message propre à la sécurité.

**AVIS** : indique une pratique ne posant **aucun risque de dommages corporels** mais qui par contre, si rien n'est fait pour l'éviter, **pourrait poser des risques de dommages matériels**.

Fig. A



### DESCRIPTION

- 1 Détonateur de vitesse variable
- 2 Molette de contrôle de vitesse
- 3 Bouton de verrouillage
- 4 Levier de blocage de la lame de la scie
- 5 Lame de scie sauteuse
- 6 Semelle
- 7 Emplacement de fixation d'accessoire CRAFTSMAN
- 8 Levier de coupe
- 9 Clé



**AVERTISSEMENT** : lire tous les avertissements de sécurité et toutes les directives. Le non-respect des avertissements et des directives pourrait se solder par un choc électrique, un incendie et/ou une blessure grave.



**AVERTISSEMENT** : ne jamais modifier l'outil électrique ni aucun de ses composants, car il y a des risques de dommages corporels ou matériels.



**AVERTISSEMENT** : afin de réduire le risque de blessures, lire le mode d'emploi de l'outil.

**Pour toute question ou remarque au sujet de cet outil ou de tout autre outil CRAFTSMAN composez le numéro sans frais : 1-888-331-4569.**

## 6A Scie sauteuse orbitale à vitesse variable CMES612

### AVERTISSEMENTS GÉNÉRAUX SUR LA SÉCURITÉ DES OUTILS



**AVERTISSEMENT :** lisez tous les avertissements de sécurité, toutes les instructions, les illustrations et les caractéristiques fournis avec cet outil électrique. Ne pas suivre toutes les instructions comprises aux présentes peut conduire à un choc électrique, un incendie et/ou des blessures graves.



### CONSERVER TOUS LES AVERTISSEMENTS ET TOUTES LES DIRECTIVES POUR UN USAGE ULTÉRIEUR

Le terme « outil électrique » cité dans les avertissements se rapporte à votre outil électrique à alimentation sur secteur (avec fil) ou par piles (sans fil).

#### 1) Sécurité du lieu de travail

- Tenir l'aire de travail propre et bien éclairée.** Les lieux encombrés ou sombres sont propices aux accidents.
- Ne pas faire fonctionner d'outils électriques dans un milieu déflagrant, tel qu'en présence de liquides, de gaz ou de poussières inflammables.** Les outils électriques produisent des étincelles qui pourraient enflammer la poussière ou les vapeurs.
- Éloigner les enfants et les personnes à proximité pendant l'utilisation d'un outil électrique.** Une distraction pourrait en faire perdre la maîtrise à l'utilisateur.

#### 2) Sécurité en matière d'électricité

- Les fiches des outils électriques doivent correspondre à la prise. Ne jamais modifier la fiche d'aucune façon. Ne jamais utiliser de fiche d'adaptation avec un outil électrique mis à la terre.** Le risque de choc électrique sera réduit par l'utilisation de fiches non modifiées correspondant à la prise.
- Éviter tout contact physique avec des surfaces mises à la terre comme des tuyaux, des radiateurs, des cuisinières et des réfrigérateurs.** Le risque de choc électrique est plus élevé si votre corps est mis à la terre.
- Ne pas exposer les outils électriques à la pluie ou à l'humidité.** La pénétration de l'eau dans un outil électrique augmente le risque de choc électrique.
- Ne pas utiliser le cordon de façon abusive. Ne jamais utiliser le cordon pour transporter, tirer ou débrancher un outil électrique. Tenir le cordon éloigné de la chaleur, de l'huile, des bords tranchants et des pièces mobiles.** Les cordons endommagés ou enchevêtrés augmentent les risques de choc électrique.

- Pour l'utilisation d'un outil électrique à l'extérieur, se servir d'une rallonge convenant à cette application.** L'utilisation d'une rallonge conçue pour l'extérieur réduira les risques de choc électrique.
- S'il est impossible d'éviter l'utilisation d'un outil électrique dans un endroit humide, brancher l'outil dans une prise ou sur un circuit d'alimentation dotés d'un disjoncteur de fuite à la terre (GFCI).** L'utilisation de ce type de disjoncteur réduit les risques de choc électrique.

#### 3) Sécurité personnelle

- Être vigilant, surveiller le travail effectué et faire preuve de jugement lorsqu'un outil électrique est utilisé. Ne pas utiliser d'outil électrique en cas de fatigue ou sous l'influence de drogues, d'alcool ou de médicaments.** Un simple moment d'inattention en utilisant un outil électrique peut entraîner des blessures corporelles graves.
- Utiliser des équipements de protection individuelle. Toujours porter une protection oculaire.** L'utilisation d'équipements de protection comme un masque antipoussière, des chaussures antidérapantes, un casque de sécurité ou des protecteurs auditifs lorsque la situation le requiert réduira les risques de blessures corporelles.
- Empêcher les démarrages intempestifs. S'assurer que l'interrupteur se trouve à la position d'arrêt avant de relier l'outil à une source d'alimentation et/ou d'insérer un bloc-piles, de ramasser ou de transporter l'outil.** Transporter un outil électrique alors que le doigt repose sur l'interrupteur ou brancher un outil électrique dont l'interrupteur est à la position de marche risque de provoquer un accident.
- Retirer toute clé de réglage ou clé avant de démarrer l'outil.** Une clé ou une clé de réglage attachée à une partie pivotante de l'outil électrique peut provoquer des blessures corporelles.
- Ne pas trop tendre les bras. Conserver son équilibre en tout temps.** Cela permet de mieux maîtriser l'outil électrique dans les situations imprévues.
- S'habiller de manière appropriée. Ne pas porter de vêtements amples ni de bijoux. Garder les cheveux, les vêtements et les gants à l'écart des pièces mobiles.** Les vêtements amples, les bijoux ou les cheveux longs risquent de rester coincés dans les pièces mobiles.
- Si des composants sont fournis pour le raccordement de dispositifs de dé poussiérage et de ramassage, s'assurer que ceux-ci sont bien raccordés et utilisés.** L'utilisation d'un dispositif de dé poussiérage peut réduire les dangers engendrés par les poussières.

- h) Ne pas laisser votre connaissance acquise suite l'utilisation fréquente des outils vous permettre de baisser la garde et ignorer les principes de sécurité de l'outil. Un acte irréfléchi peut causer une blessure grave en une fraction de seconde.

#### 4) Utilisation et entretien d'un outil électrique

- a) **Ne pas forcer un outil électrique. Utiliser l'outil électrique approprié à l'application.** L'outil électrique approprié effectuera un meilleur travail, de façon plus sûre et à la vitesse pour laquelle il a été conçu.
- b) **Ne pas utiliser un outil électrique dont l'interrupteur est défectueux.** Tout outil électrique dont l'interrupteur est défectueux est dangereux et doit être réparé.
- c) **Débranchez la fiche de la prise électrique et, si amovible, retirez le bloc-piles de l'outil avant d'effectuer tout ajustement, changement et entreposage de celui-ci.** Ces mesures préventives réduisent les risques de démarrage accidentel de l'outil électrique.
- d) **Ranger les outils électriques hors de la portée des enfants et ne permettre à aucune personne n'étant pas familière avec un outil électrique ou son mode d'emploi d'utiliser cet outil.** Les outils électriques deviennent dangereux entre les mains d'utilisateurs inexpérimentés.
- e) **Gardez les poignées et surfaces d'emprise propres et libres de tout produit lubrifiant. Vérifier si les pièces mobiles sont mal alignées ou coincées, si des pièces sont brisées ou présentent toute autre condition susceptible de nuire au bon fonctionnement de l'outil électrique. En cas de dommage, faire réparer l'outil électrique avant toute nouvelle utilisation.** Beaucoup d'accidents sont causés par des outils électriques mal entretenus.
- f) **S'assurer que les outils de coupe sont aiguisés et propres.** Les outils de coupe bien entretenus et affûtés sont moins susceptibles de se coincer et sont plus faciles à maîtriser.
- g) **Utiliser l'outil électrique, les accessoires, les forêts, etc. conformément aux présentes directives en tenant compte des conditions de travail et du travail à effectuer.** L'utilisation d'un outil électrique pour toute opération autre que celle pour laquelle il a été conçu est dangereuse.
- h) **Garder vos mains et les surfaces de prise sèches, propres et libres de graisse et de poussière.** Les mains et les surfaces de prise glissantes ne permettent pas la manutention et le contrôle sécuritaires de l'outil dans les situations imprévues.

#### 5) Réparation

- a) **Faire réparer l'outil électrique par un réparateur professionnel en n'utilisant que des pièces de rechange identiques.** Cela permettra de maintenir une utilisation sécuritaire de l'outil électrique.

#### Avertissements de sécurité pour scie sauteuse

- **Tenez l'outil par les surfaces de prise isolées lorsque vous effectuez une tâche où l'outil de coupe peut entrer en contact avec le câblage dissimulé ou son propre câble.** Le contact avec un câble « sous tension » rendra aussi les pièces métalliques de l'outil « sous tension » et pourrait donner un choc électrique à l'utilisateur.
- **Utilisez des pinces ou une autre façon pratique de sécuriser et maintenir la pièce de travail sur une plateforme stable.** Tenir le travail par une main ou contre votre corps le laisse instable et peut mener à une perte de contrôle.
- **Tenir les mains éloignées de la zone de découpe.** Ne jamais mettre la main sous le matériau pour quelque raison que ce soit. Tenir la partie avant de la scie par sa zone de prise profilée. Ne pas mettre les doigts ou le pouce à proximité de la scie alternative et du mécanisme de serrage de la lame. Ne pas stabiliser la scie en saisissant la semelle.
- **Maintenir les lames affûtées.** Les lames émoussées peuvent faire zigzaguer la lame ou la bloquer sous la pression.
- **Soyez particulièrement prudent lorsque vous coupez des frais généraux et faire particulièrement attention aux fils électriques qui peuvent être dissimulés.** Anticiper le chemin des chutes de branches et débris avance.
- **Au moment de couper un tuyau ou un conduit,** s'assurer qu'ils sont exempts d'eau, de câblage électrique, etc.

#### Consigne de sécurité supplémentaire



**AVERTISSEMENT :** porter **SYSTEMATIQUEMENT** des lunettes de protection. Les lunettes courantes NE sont PAS des lunettes de protection. Utiliser aussi un masque antipoussières si la découpe doit en produire beaucoup. **PORTER SYSTEMATIQUEMENT UN ÉQUIPEMENT DE SÉCURITÉ HOMOLOGUÉ :**

- Protection oculaire ANSI Z87.1 (CAN/CSA Z94.3) ;
- Protection auditive ANSI S12.6 (S3.19) ;
- Protection des voies respiratoires NIOSH/ OSHA/ MSHA.



**AVERTISSEMENT :** les scies, meules, ponceuses, perceuses ou autres outils de construction peuvent produire des poussières contenant des produits chimiques reconnus par l'État californien pour causer cancers, malformations congénitales ou être nocifs au système reproducteur. Parmi ces produits chimiques, on retrouve :

- Le plomb dans les peintures à base de plomb ;
- La silice cristallisée dans les briques et le ciment, ou autres produits de maçonnerie ; et

## FRANÇAIS

- L'arsenic et le chrome dans le bois ayant subi un traitement chimique.

Le risque associé de telles expositions varie selon la fréquence à laquelle on effectue ces travaux. Pour réduire toute exposition à ces produits : travailler dans un endroit bien aéré, en utilisant du matériel de sécurité homologué, tel un masque antipoussières spécialement conçu pour filtrer les particules microscopiques.

- **Limiter toute exposition prolongée avec les poussières provenant du ponçage, sciage, meulage, perçage ou toute autre activité de construction. Porter des vêtements de protection et nettoyer à l'eau savonneuse les parties du corps exposées.** Le fait de laisser la poussière pénétrer dans la bouche, les yeux ou la peau peut favoriser l'absorption de produits chimiques dangereux.



**AVERTISSEMENT :** cet outil peut produire et/ou répandre de la poussière susceptible de causer des dommages sérieux et permanents au système respiratoire. Utiliser systématiquement un appareil de protection des voies respiratoires homologué par le NIOSH ou l'OSHA. Diriger les particules dans le sens opposé au visage et au corps.



**AVERTISSEMENT :** pendant l'utilisation, porter systématiquement une protection auditive individuelle adéquate homologuée ANSI S12.6 (S3.19). Sous certaines conditions et suivant la durée d'utilisation, le bruit émanant de ce produit pourrait contribuer à une perte de l'acuité auditive.






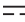








**ATTENTION :** après utilisation, ranger l'outil sur son côté, sur une surface stable, là où il ne pourra ni faire trébucher ni faire chuter quelqu'un. Certains outils peuvent tenir à la verticale, mais manquent alors de stabilité.

- **Prendre des précautions à proximité des événements, car ils cachent des pièces mobiles.** Vêtements amples, bijoux ou cheveux longs risquent de rester coincés dans ces pièces mobiles.
- **Pour la sécurité de l'utilisateur, utiliser une rallonge de calibre adéquat (AWG, American Wire Gauge [calibrage américain normalisé des fils électriques]).** Plus le calibre est petit, et plus sa capacité est grande. Un calibre 16, par exemple, a une capacité supérieure à un calibre 18. L'usage d'une rallonge de calibre insuffisant causera une chute de tension qui entraînera perte de puissance et surchauffe. Si plus d'une rallonge est utilisée pour obtenir une certaine longueur, s'assurer que chaque rallonge présente au moins le calibre de fil minimum. Le tableau ci-dessous illustre les calibres à utiliser selon la longueur de rallonge et l'intensité nominale indiquée sur la plaque signalétique. En cas de doute, utiliser le calibre suivant. Plus le calibre est petit, plus la rallonge peut supporter de courant.

### Calibre minimum pour les cordons d'alimentation

Volts	Longueur totale du cordon d'alimentation en mètre (pieds)				
	7,6 (25)	15,2 (50)	30,5 (100)	45,7 (150)	
120 V	15,2 (50)	30,5 (100)	61,0 (200)	91,4 (300)	
Ampères		AWG			
Plus que	Pas plus que				
0	6	18	16	16	14
6	10	18	16	14	12
10	12	16	16	14	12
12	16	14	12	Non recommandé	

L'étiquette apposée sur votre outil peut inclure les symboles suivants. Les symboles et leur définition sont indiqués ci-après :

V .....	volts	 or AC.....	courant alternatif
Hz .....	hertz	 or AC/DC.....	courant alternatif ou continu
min .....	minutes		fabrication classe II (double isolation)
 or DC.....	courant continu	n <sub>0</sub> .....	vitesse à vide
	fabrication classe I (mis à la terre)	n .....	vitesse nominale
... /min .....	par minute		borne de terre
BPM .....	batttements par minute		symbole d'avertissement
IPM .....	impacts par minute		radiation visible
RPM .....	révolutions par minute		protection respiratoire
sfpm .....	pieds linéaires par minute (plpm)		protection oculaire
SPM (FPM) .....	fréquence par minute		protection auditive
A .....	ampères		lire toute la documentation
W .....	watts		

## CONSERVER CES CONSIGNES POUR UTILISATION ULTÉRIEURE

### DESCRIPTION

#### Moteur

S'assurer que le bloc d'alimentation est compatible avec l'inscription de la plaque signalétique. Une diminution de tension de plus de 10 % provoquera une perte de puissance et une surchauffe. Les outils sont testés en usine ; si cet outil ne fonctionne pas, vérifier l'alimentation électrique. Reportez-vous en figure A au début de ce manuel pour obtenir la liste complète des composants.

#### Usage prévu

Cette scie sauteuse est conçue pour applications professionnelles.

**NE PAS** les utiliser en milieu ambiant humide ou en présence de liquides ou de gaz inflammables.

Cette scie sauteuse est un outil électrique professionnel. **NE PAS** le laisser à la portée des enfants. Une supervision est nécessaire auprès de tout utilisateur non expérimenté.

## ASSEMBLAGE ET AJUSTEMENTS



**AVERTISSEMENT :** pour réduire le risque de blessures graves, éteindre l'outil et retirer le débrancher avant d'effectuer tout réglage et d'enlever ou d'installer tout accessoire. Un démarrage accidentel peut provoquer des blessures.

### Installation de la lame (Fig. B)

1. Pousser le levier de blocage de la lame de la scie **4** vers le haut.
2. Les dents étant vers l'avant, insérer l'emmanchement de la lame dans le porte-lame, aussi loin que possible.
3. Relâcher le levier.
4. S'assurer que la lame est fixe avant d'effectuer une coupe.

Fig. B

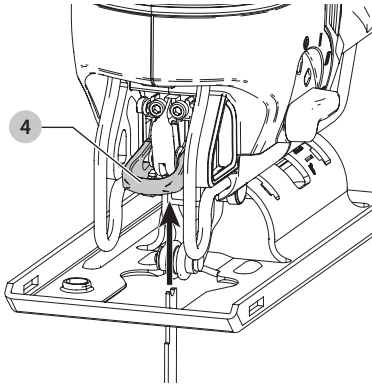


Fig. C

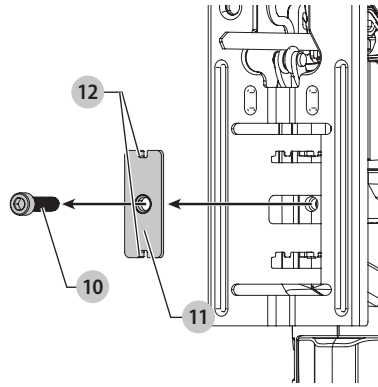
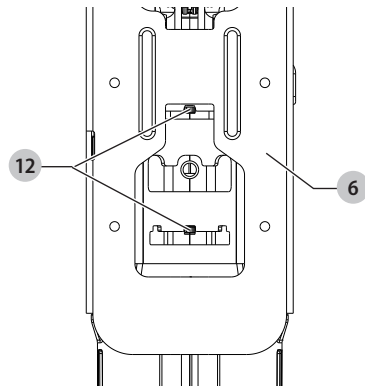


Fig. D



### Réglage de la semelle pour des coupes biseautées (Fig. A, C, D)



**AVERTISSEMENT :** ne jamais utiliser l'outil sans la semelle ou avec une semelle **6** lâche.

La semelle s'incline à gauche ou à droite pour effectuer une coupe en biseau jusqu'à 45°.

1. Tourner la scie à l'envers. Utiliser la clé **9** pour desserrer la vis de serrage **10** et la plaque de serrage **11** comme l'illustre la Figure C.
2. Glisser la semelle **6** vers l'avant et la faire pivoter vers la gauche ou la droite jusqu'à l'angle recherché.
3. Glisser la semelle vers l'arrière de façon à ce que les rainures de blocage dans la plaque de la semelle s'agencent avec les deux tiges de blocage **12** sur l'outil comme l'illustre la Figure D.
4. Serrer la vis de serrage et la plaque de serrage avec le côté biseauté face à l'outil.

## UTILISATION



**AVERTISSEMENT :** pour réduire le risque de blessures graves, éteindre l'outil et retirer le débrancher avant d'effectuer tout réglage et d'enlever ou d'installer tout accessoire. Un démarrage accidentel peut provoquer des blessures.

### Position correcte des mains (Fig. E)



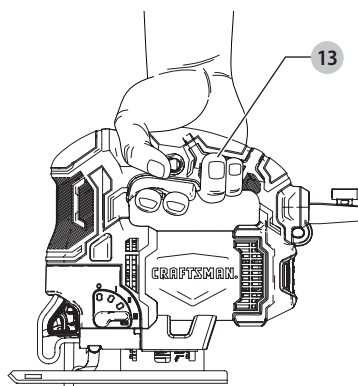
**AVERTISSEMENT :** pour réduire tout risque de dommages corporels graves, adopter **SYSTÉMATIQUEMENT** la position des mains illustrée.



**AVERTISSEMENT :** pour réduire tout risque de dommages corporels graves, maintenir **SYSTÉMATIQUEMENT** l'outil fermement pour anticiper toute réaction soudaine.

Le positionnement approprié des mains requiert d'avoir une main sur la poignée. **13**.

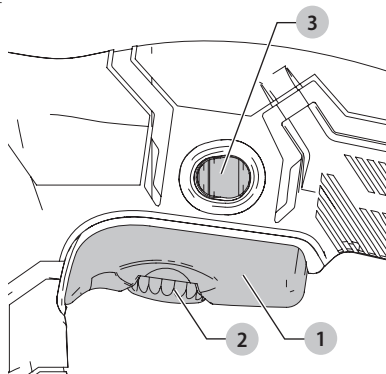
Fig. E



## Mise en marche et arrêt (Fig. F)

1. Pour allumer l'outil, appuyer sur la détente 1.
2. Pour un fonctionnement continu, presser la détente, puis enfoncer le bouton de verrouillage 3. Une fois le bouton de verrouillage enfoncé, relâcher la détente.
3. Pour mettre l'outil hors tension, relâcher la détente. Pour mettre l'outil hors tension en mode de fonctionnement continu, presser la détente, et le verrouillage sera annulé.

Fig. F



## Cadran de commande de vitesse (Fig. G)

Tourner le cadran de commande de vitesse 2 réglera la vitesse, ou le nombre de courses de coupe par minute de la lame. Une rotation en sens horaire augmentera la vitesse et l'inverse réduira la vitesse. Le réglage maximum est 7 sur l'échelle et la vitesse minimum est sur le réglage 1.

## Action de coupe

### Coupe Orbital ou Coupe Droite (Fig. G)

**⚠ AVERTISSEMENT :** avant de brancher l'outil, s'assurer qu'il n'est pas verrouillé sur marche. Si la détente est verrouillée sur marche au moment où l'alimentation est mise, l'outil démarrera immédiatement. L'outil risquerait d'être endommagé, et il pourrait en résulter des blessures corporelles.

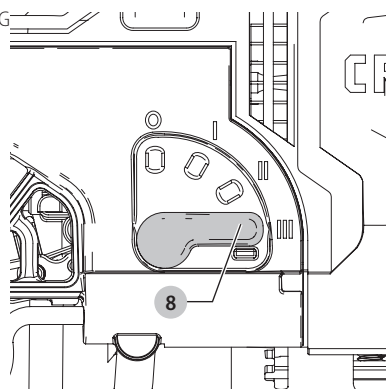
Cette scie sauteuse offre quatre modes de coupe, trois coupes orbitales et une coupe droite. Le fonctionnement orbital produit un mouvement énergétique de la lame et sert à couper des matériaux tendres comme le bois ou le plastique. Le fonctionnement orbital donne une coupe rapide, mais le bord coupé du matériau n'est pas lisse. En fonctionnement orbital, la lame se déplace vers l'avant pendant la course de coupe, en plus du mouvement de haut en bas.

**REMARQUE :** il ne faut jamais couper le métal ou les bois durs en fonctionnement orbital.

### Pour régler le mode de coupe

Déplacer le levier de coupe 8 entre les quatre positions de coupe : 0, 1, 2 et 3. La position 0 représente la coupe droite. Les positions 1, 2 et 3 sont des coupes orbitales. La force du mouvement de coupe augmente au fur et à mesure que le levier passe de un à trois, la coupe la plus énergétique étant donc produite à la position trois.

Fig. G



## Conseils pratiques pour un usage optimal

### Conseils pour scier des laminés

- Lorsqu'on remonte la scie, on peut engendrer des éclats de bois sur la surface la plus près de la plaque du patin.
- Utiliser une lame à dents fines.
- Effectuer la coupe à partir de la surface arrière de la pièce.
- Afin de réduire au minimum les éclats de bois, fixer une retaille de bois ou un panneau dur de chaque côté de la pièce et couper à travers les trois pièces.

### Conseils pour scier du métal

- Il ne faut pas oublier que la durée de coupe du métal est beaucoup plus longue que celle du bois.
- Utiliser une lame conçue pour la coupe du métal.
- Pour réaliser la coupe d'une tôle mince, fixer une retaille de bois à l'arrière de la pièce et couper à travers les deux pièces.
- Étendre un film d'huile sur la ligne de coupe prévue pour faciliter le fonctionnement de l'outil et accroître la durée de vie de la lame. Il est préférable d'utiliser du kérosène pour couper l'aluminium.



## Coupe de poche (Fig. H, I)

Une coupe de poche est une méthode facile de faire un intérieur à couper. La scie peut être insérée directement dans un panneau ou une Commission sans premier forage un plomb ou un avant-trou. En coupe de poche, mesurer la surface destinée à couper et à marquer clairement avec un crayon. Conseil suivant la scie vers l'avant jusqu'à ce que l'extrémité avant de la chaussure se trouve bien sur le plan de travail et de la lame efface le travailler par le biais de sa course complète. Allumer l'outil et lui permettre d'atteindre la vitesse maximale.

Tenez la scie fermement et abaisser le bord arrière de l'outil lentement jusqu'à ce que la lame atteigne sa profondeur complète. Tenez la chaussure plat contre le bois et commencer la coupe. Ne pas enlever lame de coupe alors que c'est toujours émouvant. Lame doit s'arrêter complètement.

Fig. H

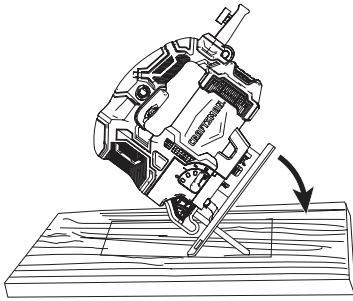
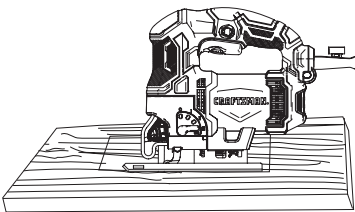


Fig. I



## MAINTENANCE

**AVERTISSEMENT :** pour réduire le risque de blessures graves, éteindre l'outil et retirer le débrancher avant d'effectuer tout réglage et d'enlever tout accessoire. Un démarrage accidentel peut provoquer des blessures.

## Accessoires

**AVERTISSEMENT :** puisque les accessoires autres que ceux offerts par CRAFTSMAN n'ont pas été testés avec ce produit, leur utilisation pourrait s'avérer dangereuse. Pour réduire le risque de blessures, utiliser exclusivement les accessoires CRAFTSMAN recommandés avec le présent produit.

Les accessoires recommandés pour cet outil sont vendus séparément au centre de service de votre région. Pour obtenir de l'aide concernant l'achat d'un accessoire, communiquer avec CRAFTSMAN, composer le **1-888-331-4569**.

## Versatrack (Fig. J)

**AVERTISSEMENT :** afin de réduire le risque de blessure corporelle, éteignez l'outil et débranchez-le de la source d'alimentation avant d'effectuer tout ajustement ou de retirer/installer des pièces ou des accessoires. Un démarrage accidentel peut causer des blessures.

**AVERTISSEMENT :** pour réduire le risque de blessures graves, ne pas se servir d'un crochet de suspension Versatrack ou rail Versatrack Trackwall qui serait endommagé. Un crochet Versatrack ou rail Versatrack Trackwall endommagé ne supportera pas le poids de l'outil.

**AVERTISSEMENT :** assurez-vous que le poids de l'outil n'exécède pas le poids nominal maximum du crochet Versatrack sélectionné.

**AVERTISSEMENT :** lors de la suspension de plusieurs objets sur le mur Versatrack Trackwall, les distancer suffisamment pour ne pas dépasser 112 kg par mètre linéaire [34 kg (75 lb) par pied linéaire].

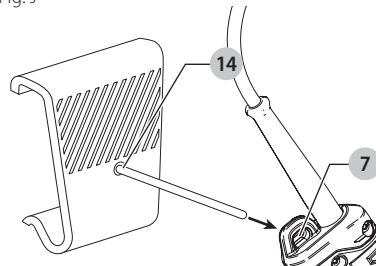
Les accessoires Versatrack se montent de façon sécuritaire au rail Versatrack Trackwall.

1. Pour suspendre l'outil avec cordon sur le rail Versatrack Trackwall, monter le crochet **14** sur le rail Versatrack Trackwall.
2. Arrêter l'outil, le débrancher de la source d'alimentation et déposer les accessoires.
3. Tout produit présentant des dents coupantes exposées doit être recouvert de manière sûre s'il doit être sur le Versatrack.
4. Glisser le crochet Versatrack dans la ganse de suspension **7** de l'outil.

Seuls les accessoires Versatrack sont compatibles avec le système Versatrack Trackwall.

**REMARQUE :** les accessoires Versatrack pour utilisation avec cet outil sont disponibles à un coût supplémentaire chez votre détaillant local ou dans un centre de services autorisé. Pour obtenir de l'assistance à trouver un accessoire, veuillez communiquer avec CRAFTSMAN, en composant 1-888-331-4569.

Fig. J



## Réparations



**AVERTISSEMENT :** pour assurer la **SÉCURITÉ** et la **FIABILITÉ** du produit, les réparations, l'entretien et les réglages doivent être réalisés (cela comprend l'inspection et le remplacement du balai, le cas échéant) par un centre de réparation en usine CRAFTSMAN ou un centre de réparation agréé CRAFTSMAN. Toujours utiliser des pièces de rechange identiques.

## Nettoyage



**AVERTISSEMENT :** enlever les saletés et la poussière hors des événements au moyen d'air comprimé propre et sec, au moins une fois par semaine. Pour minimiser le risque de blessure aux yeux, toujours porter une protection oculaire conforme à la norme ANSI Z87.1 lors du nettoyage.



**AVERTISSEMENT :** ne jamais utiliser de solvants ni d'autres produits chimiques puissants pour nettoyer les pièces non métalliques de l'outil. Ces produits chimiques peuvent affaiblir les matériaux de plastique utilisés dans ces pièces. Utiliser un chiffon humecté uniquement d'eau et de savon doux. Ne jamais laisser de liquide pénétrer dans l'outil et n'immerger aucune partie de l'outil dans un liquide.

## Registre en ligne

Merci pour votre achat. Enregistrez dès maintenant votre produit:

- **RÉPARATIONS SOUS GARANTIE:** cette carte remplie vous permettra de vous prévaloir du service de réparations sous garantie de façon plus efficace dans le cas d'un problème avec le produit.
- **CONFIRMATION DE PROPRIÉTÉ:** en cas de perte provoquée par un incendie, une inondation ou un vol, cette preuve de propriété vous servira de preuve auprès de votre compagnie d'assurances.
- **SÉCURITÉ:** l'enregistrement de votre produit nous permettra de communiquer avec vous dans l'éventualité peu probable de l'envoi d'un avis de sécurité régi par la loi fédérale américaine de la protection des consommateurs.

Registre en ligne à [www.craftsman.com/regISTRATION](http://www.craftsman.com/regISTRATION)

## GUIDE DE DÉPANNAGE

### ASSUREZ-VOUS DE SUIVRE LES DIRECTIVES ET RÈGLES DE SÉCURITÉ

Pour de l'aide avec l'outil, consulter notre site Web [www.craftsman.com](http://www.craftsman.com) pour l'emplacement du centre de réparation le plus près ou communiquer avec l'assistance CRAFTSMAN au 1-888-331-4569.

PROBLÈME	CAUSE POSSIBLE	SOLUTION POSSIBLE
L'appareil refuse de démarrer	Cordon d'alimentation non branché.	Brancher l'outil dans une prise qui fonctionne.
	Le fusible du circuit est grillé.	Remplacer le fusible du circuit. (Si l'outil cause le déclenchement du disjoncteur d'alimentation de façon répétée, cesser son utilisation sur le champ et le faire réparer à un centre de service autorisé.)
	Le disjoncteur est déclenché	Remettre le disjoncteur à zéro. (Si l'outil cause le déclenchement du disjoncteur d'alimentation de façon répétée, cesser son utilisation sur le champ et le faire réparer à un centre de service autorisé.)
	Le cordon d'alimentation ou la prise de courant est endommagé(e).	Toujours faire remplacer le cordon ou le commutateur à un centre de service autorisé.

## Garantie limitée de trois ans

CRAFTSMAN réparera ou remplacera sans frais tout appareil défectueux pour cause de défaut de matériau ou de main-d'œuvre sur une période de trois ans à partir de la date d'achat de l'outil. Cette garantie ne couvre pas les pièces en panne pour cause d'abus ou d'usure normale de l'outil. Pour plus de détails au sujet de la couverture de la garantie et l'information de réparation sous garantie, visitez [www.craftsman.com](http://www.craftsman.com) ou composez le **1-888-331-4569**.

Cette garantie ne s'applique pas aux accessoires ou dommages causés par des réparations effectuées ou tentées par d'autres. CETTE GARANTIE REMPLACE TOUTES LES AUTRES, INCLUANT LES GARANTIES IMPLICITES DE LA QUALITÉ MARCHANDE ET L'APTITUDE POUR UN BUT PARTICULIER, ET EXCLUT TOUS LES DOMMAGES ACCIDENTELS OU CONSÉCUTIFS. Certaines provinces ne permettent pas de limitation sur la durée de la garantie implicite ou l'exclusion ou la limitation de dommages indirects, alors ces limitations peuvent ne pas s'appliquer à vous. Cette garantie vous donne des droits légaux particuliers et vous pouvez avoir d'autres droits qui varient selon les états ou les provinces.

### GARANTIE DE REMBOURSEMENT DE 90 JOURS

Si l'acheteur n'est pas entièrement satisfait, pour quelque raison que ce soit, du rendement de l'outil électrique ou de la cloueuse CRAFTSMAN, celui-ci peut le retourner, accompagné d'un reçu, dans les 90 jours à compter de la date d'achat pour obtenir un remboursement intégral, sans aucun problème.

**AMÉRIQUE LATINE :** cette garantie ne s'applique aux produits vendus en Amérique latine. Pour ceux-ci, veuillez consulter les informations relatives à la garantie spécifique présente dans l'emballage, appeler l'entreprise locale ou consulter le site Web pour les informations relatives à cette garantie.

### REMPACEMENT GRATUIT DES ÉTIQUETTES

**D'AVERTISSEMENT :** si les étiquettes d'avertissement deviennent illisibles ou sont manquantes, composer le **1-888-331-4569** pour en obtenir le remplacement gratuit.

## Definiciones: Símbolos y palabras de alerta de seguridad

Este manual de instrucciones utiliza los siguientes símbolos y palabras de alerta de seguridad para alertarle de situaciones peligrosas y del riesgo de lesiones corporales o daños materiales.



**PELIGRO:** Indica una situación de peligro inminente que, si no se evita, provocará **la muerte o lesiones graves**.



**ADVERTENCIA:** Indica una situación de peligro potencial que, si no se evita, **podría provocar la muerte o lesiones graves**.



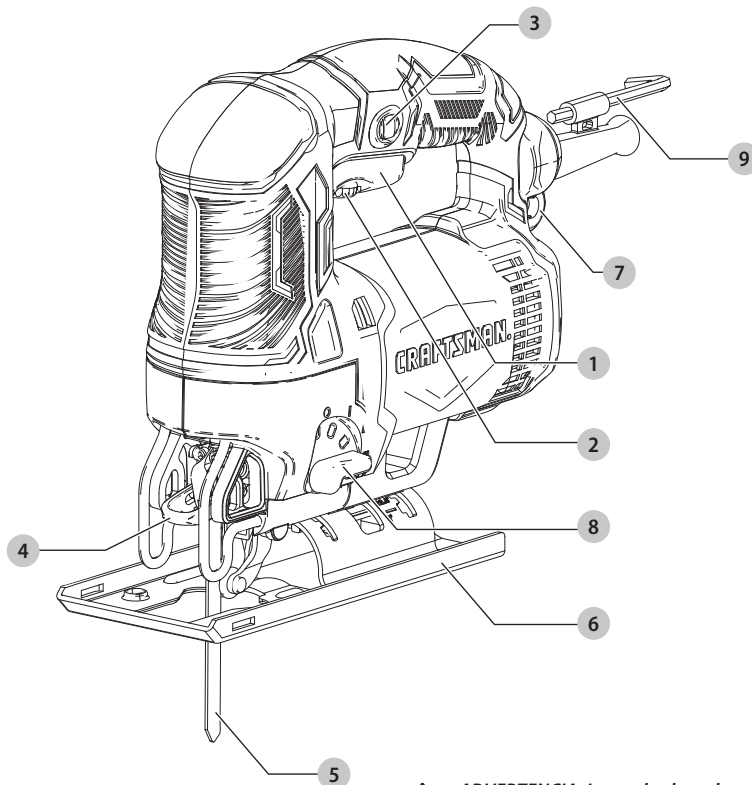
**ATENCIÓN:** Indica una situación de peligro potencial que, si no se evita, **posiblemente provocaría lesiones leves o moderadas**.



(Utilizado sin palabras) indica un mensaje de seguridad relacionado.

**AVISO:** Se refiere a una práctica **no relacionada a lesiones corporales** que de no evitarse **puede resultar en daños a la propiedad**.

Fig. A



### COMPONENTES

- 1 Interruptor de velocidad variable
- 2 Dial de control de velocidad
- 3 Botón de bloqueo en encendido
- 4 Palanca de bloqueo de la hoja de la sierra
- 5 Hoja de la sierra caladora
- 6 Zapata
- 7 Emplacement de fixation d'accessoire CRAFTSMAN
- 8 Palanca de acción de corte
- 9 Llave



**ADVERTENCIA:** Lea todas las advertencias de seguridad e instrucciones. El incumplimiento de las advertencias e instrucciones puede provocar descargas eléctricas, incendios o lesiones graves.



**ADVERTENCIA:** Nunca modifique la herramienta eléctrica, ni tampoco ninguna de sus piezas. Podría producir lesiones corporales o daños.



**ADVERTENCIA:** Para reducir el riesgo de lesiones, lea el manual de instrucciones.

Si tiene alguna duda o algún comentario sobre ésta u otra herramienta CRAFTSMAN, llámenos al número gratuito: 1-888-331-4569.

## Sierra Caladora Orbital de Velocidad Variable de 6A CMES612

### ADVERTENCIAS GENERALES DE SEGURIDAD PARA HERRAMIENTAS ELÉCTRICAS



**ADVERTENCIA:** Lea todas las advertencias de seguridad, instrucciones, ilustraciones y especificaciones incluidas con esta herramienta eléctrica. La falla en seguir todas las instrucciones siguientes puede resultar en descarga eléctrica, incendio y/o lesiones serias.

### CONSERVE TODAS LAS ADVERTENCIAS E INSTRUCCIONES PARA FUTURAS CONSULTAS

El término "herramienta eléctrica" incluido en las advertencias hace referencia a las herramientas eléctricas operadas con corriente (con cable eléctrico) o a las herramientas eléctricas operadas con baterías (inalámbricas).

#### 1) Seguridad en el Área de Trabajo

- Mantenga el área de trabajo limpia y bien iluminada.** Las áreas abarrotadas y oscuras propician accidentes.
- No opere las herramientas eléctricas en atmósferas explosivas, como ambientes donde haya polvo, gases o líquidos inflamables.** Las herramientas eléctricas originan chispas que pueden encender el polvo o los vapores.
- Mantenga alejados a los niños y a los espectadores de la herramienta eléctrica en funcionamiento.** Las distracciones pueden provocar la pérdida de control.

#### 2) Seguridad Eléctrica

- Los enchufes de la herramienta eléctrica deben adaptarse al tomacorriente. Nunca modifique el enchufe de ninguna manera. No utilice ningún enchufe adaptador con herramientas eléctricas con conexión a tierra.** Los enchufes no modificados y que se adaptan a los tomacorrientes reducirán el riesgo de descarga eléctrica.
- Evite el contacto corporal con superficies con descargas a tierra como, por ejemplo, tuberías, radiadores, cocinas eléctricas y refrigeradores.** Existe mayor riesgo de descarga eléctrica si su cuerpo está puesto a tierra.
- No exponga las herramientas eléctricas a la lluvia o a condiciones de humedad.** Si entra agua a una herramienta eléctrica, aumentará el riesgo de descarga eléctrica.
- No maltrate el cable. Nunca utilice el cable para transportar, tirar o desenchufar la herramienta eléctrica. Mantenga el cable alejado del calor, el aceite, los bordes filosos y las piezas móviles.** Los cables dañados o enredados aumentan el riesgo de descarga eléctrica.

- Al operar una herramienta eléctrica en el exterior, utilice un cable prolongador adecuado para tal uso.** Utilice un cable adecuado para uso en exteriores a fin de reducir el riesgo de descarga eléctrica.
- Si el uso de una herramienta eléctrica en un lugar húmedo es imposible de evitar, utilice un suministro protegido con un interruptor de circuito por falla a tierra (GFCI).** El uso de un GFCI reduce el riesgo de descargas eléctricas.

#### 3) Seguridad Personal

- Permanezca alerta, controle lo que está haciendo y utilice el sentido común cuando emplee una herramienta eléctrica. No utilice una herramienta eléctrica si está cansado o bajo el efecto de drogas, alcohol o medicamentos.** Un momento de descuido mientras se opera una herramienta eléctrica puede provocar lesiones personales graves.
- Utilice equipos de protección personal. Siempre utilice protección para los ojos.** En las condiciones adecuadas, el uso de equipos de protección, como máscaras para polvo, calzado de seguridad antideslizante, cascos o protección auditiva, reducirá las lesiones personales.
- Evite el encendido por accidente. Asegúrese de que el interruptor esté en la posición de apagado antes de conectarlo a la fuente de energía o paquete de baterías, o antes de levantar o transportar la herramienta.** Transportar herramientas eléctricas con el dedo apoyado en el interruptor o enchufar herramientas eléctricas con el interruptor en la posición de encendido puede propiciar accidentes.
- Retire la clavija de ajuste o la llave de tuercas antes de encender la herramienta eléctrica.** Una llave de tuercas o una clavija de ajuste que quede conectada a una pieza giratoria de la herramienta eléctrica puede provocar lesiones personales.
- No se estire. Conserve el equilibrio y párese adecuadamente en todo momento.** Esto permite un mejor control de la herramienta eléctrica en situaciones inesperadas.
- Use la vestimenta adecuada. No use ropas holgadas ni joyas. Mantenga el cabello, la ropa y los guantes alejados de las piezas en movimiento.** Las ropas holgadas, las joyas o el cabello largo pueden quedar atrapados en las piezas en movimiento.
- Si se suministran dispositivos para la conexión de accesorios con fines de recolección y extracción de polvo, asegúrese de que estén conectados y que se utilicen correctamente. El**

uso de dispositivos de recolección de polvo puede reducir los peligros relacionados con el polvo.

- h) **No permita que la familiaridad obtenida a partir del uso frecuente de herramientas le permitan volverse descuidado e ignorar los principios de seguridad de la herramienta.** Una acción descuidada puede causar lesiones severas en una fracción de segundo.

#### 4) Uso y Mantenimiento de la Herramienta Eléctrica

- a) **No fuerce la herramienta eléctrica. Utilice la herramienta eléctrica correcta para el trabajo que realizará.** Si se la utiliza a la velocidad para la que fue diseñada, la herramienta eléctrica correcta permite trabajar mejor y de manera más segura.
- b) **No utilice la herramienta eléctrica si no puede encenderla o apagarla con el interruptor.** Toda herramienta eléctrica que no pueda ser controlada mediante el interruptor es peligrosa y debe repararse.
- c) **Desconecte el enchufe de la fuente de alimentación y/o retire la batería, o paquete si es desmontable, de la herramienta eléctrica antes de realizar cualquier ajuste, cambiar accesorios o almacenar herramientas eléctricas.** Estas medidas de seguridad preventivas reducen el riesgo de encender la herramienta eléctrica en forma accidental.
- d) **Guarde la herramienta eléctrica que no esté en uso fuera del alcance de los niños y no permita que otras personas no familiarizadas con ella o con estas instrucciones operen la herramienta.** Las herramientas eléctricas son peligrosas si son operadas por usuarios no capacitados.
- e) **Dé mantenimiento a las herramientas eléctricas y accesorios. Revise que no haya piezas en movimiento mal alineadas o trabadas, piezas rotas o cualquier otra situación que pueda afectar el funcionamiento de la herramienta eléctrica. Si encuentra daños, haga reparar la herramienta eléctrica antes de utilizarla.** Se producen muchos accidentes a causa de las herramientas eléctricas que carecen de un mantenimiento adecuado.
- f) **Mantenga las herramientas de corte afiladas y limpias.** Las herramientas de corte con mantenimiento adecuado y con los bordes de corte afilados son menos propensas a trabarse y son más fáciles de controlar.
- g) **Utilice la herramienta eléctrica, los accesorios y las brocas de la herramienta, etc. de acuerdo con estas instrucciones y teniendo en cuenta las condiciones de trabajo y el trabajo que debe realizarse.** El uso de la herramienta eléctrica para operaciones diferentes de aquéllas para las que fue diseñada podría originar una situación peligrosa.
- h) **Mantenga las manijas y superficies de sujeción secas, limpias y libres de aceite y grasa.**

Las manijas y superficies de sujeción resbalosas no permiten el manejo y control seguros de la herramienta en situaciones inesperadas.

#### 5) Mantenimiento

- a) **Solicite a una persona calificada en reparaciones que realice el mantenimiento de su herramienta eléctrica y que sólo utilice piezas de repuesto idénticas.** Esto garantizará la seguridad de la herramienta eléctrica.

#### Advertencias de Seguridad de Sierra Caladora

- **Sostenga la herramienta por las superficies de sujeción aisladas cuando realice una operación en la que la herramienta de corte pueda tener contacto con cableado oculto o su propio cable.** El contacto con un cable "vivo" también hará que las partes de metal expuestas de la herramienta estén "vivas" y dará una descarga eléctrica al operador.
- **Use abrazaderas u otra manera práctica para asegurar y soportar la pieza de trabajo a una plataforma estable.** Sostener el trabajo a mano o contra su cuerpo lo hace inestable y puede guiar a la pérdida de control.
- **Mantenga las manos lejos de las zonas de corte.** Nunca se estire por debajo del material por ningún motivo. Sostenga la parte frontal de la sierra desde el área de sujeción contorneada. No inserte los dedos en la zona cercana a la hoja alternativa y a la abrazadera de la hoja. No estabilice la sierra sujetando la zapata.
- **Mantenga las hojas afiladas.** Las hojas sin filo pueden hacer que la sierra se desvíe o atasque al recibir presión.
- **Tenga mucho cuidado al cortar encima de la cabeza y prestar especial atención a los cables que pueden estar ocultos a la vista.** Anticipar la trayectoria de caída de ramas y escombros antes de tiempo.
- **Al cortar tuberías o conductos, asegúrese de que no contengan agua, cableado eléctrico, etc.**

#### Instrucción Adicional de Seguridad



**ADVERTENCIA:** Use SIEMPRE lentes de seguridad.

Los anteojos de diario NO SON lentes de seguridad. Utilice además una cubrebocas o mascarilla antipolvo si la operación de corte genera demasiado polvo.

SIEMPRE LLEVE EQUIPO DE SEGURIDAD CERTIFICADO:

- protección ocular ANSI Z87.1 (CAN/CSA Z94.3),
- protección auditiva ANSI S12.6 (S3.19),
- protección respiratoria NIOSH/OSHA/MSHA.



**ADVERTENCIA:** Algunas partículas de polvo generadas al lijar, serrar, esmerilar y taladrar con herramientas eléctricas, así como al realizar otras actividades de construcción, contienen químicos que el Estado de California sabe que pueden producir cáncer, defectos congénitos u otras afecciones reproductivas. Ejemplos de estos químicos son:

- plomo de algunas pinturas en base a plomo,
- polvo de sílice proveniente de ladrillos y cemento y otros productos de albañilería, y

- arsénico y cromo provenientes de madera tratada químicamente.

Su riesgo de exposición a estos químicos varía, dependiendo de la frecuencia con la cual realiza usted este tipo de trabajo. Para reducir su exposición a estas sustancias químicas: trabaje en una zona bien ventilada y llevando equipos de seguridad aprobados, como mascarillas antipolvo especialmente diseñadas para filtrar partículas microscópicas.

- **Evite el contacto prolongado con polvo generado por el lijado, aserrado, pulido, taladrado y otras actividades de construcción. Vista ropas protectoras y lave las áreas de la piel expuestas con agua y jabón.** Si permite que el polvo se introduzca en la boca u ojos o quede sobre la piel, puede favorecer la absorción de productos químicos peligrosos.



**ADVERTENCIA:** La utilización de esta herramienta puede generar polvo o dispersarlo, lo que podría causar daños graves y permanentes al sistema respiratorio, así como otras lesiones. Siempre use protección respiratoria aprobada por NIOSH (Instituto Nacional de Seguridad y Salud en el Trabajo) u OSHA (Administración de Seguridad y Salud en el Trabajo) apropiada para la exposición al polvo. Dirija las partículas en dirección contraria a la cara y el cuerpo.



**ADVERTENCIA:** Siempre lleve la debida protección auditiva personal en conformidad con ANSI S12.6 (S3.19) durante el uso de esta herramienta. Bajo algunas condiciones y duraciones de uso, el ruido producido por este producto puede contribuir a la pérdida auditiva.



**ATENCIÓN:** Cuando no esté en uso, guarde la herramienta apoyada en un costado sobre una superficie estable, donde no interrumpa el paso o provoque una caída. Algunas herramientas se pueden colocar en posición vertical, pero pueden caer fácilmente.

- Los orificios de ventilación suelen cubrir piezas en movimiento, por lo que también se deben evitar. Las piezas en movimiento pueden atrapar prendas de vestir sueltas, joyas o el cabello largo.
- Los hilos del alargador deben ser de un calibre apropiado (AWG o American Wire Gauge) para su seguridad. Mientras menor sea el calibre del hilo, mayor la capacidad del cable. Es decir, un hilo calibre 16 tiene mayor capacidad que uno de 18. Un cable de un calibre insuficiente causará una caída en la tensión de la línea dando por resultado una pérdida de energía y sobrecalentamiento. Cuando se utilice más de un alargador para completar el largo total, asegúrese que los hilos de cada alargador tengan el calibre mínimo. La tabla siguiente muestra el tamaño correcto a utilizar, dependiendo de la longitud del cable y del amperaje nominal de la placa de identificación. Si tiene dudas sobre cuál calibre usar, use un calibre mayor. Cuanto menor sea el número del calibre, más resistente será el cable.

**Calibre mínimo de conjuntos de cables**

Voltios	Longitud total del cable en pies (metros)				
	120 V	25 (7,6)	50 (15,2)	100 (30,5)	150 (45,7)
240 V	50 (15,2)	100 (30,5)	200 (61,0)	300 (91,4)	
Amperaje nominal	AWG				
Más de	Más de				
0	6	18	16	16	14
6	10	18	16	14	12
10	12	16	16	14	12
12	16	14	12	No recomendado	

La etiqueta de su herramienta puede incluir los siguientes símbolos. A continuación se indican los símbolos y sus definiciones:

- V ..... voltios
- Hz ..... hertz
- min ..... minutos
- — or DC..... direct current
- Ⓜ ..... Construcción de Clase I (tierra)
- .../min..... por minuto
- BPM..... golpes por minuto
- IPM ..... impactos por minuto
- RPM ..... revoluciones por minuto
- sfpm ..... pies de superficie por minuto
- SPM ..... pasadas por minuto
- A ..... amperios
- W ..... vatios
- ~ or AC..... corriente alterna
- ⚡ or AC/DC .... corriente alterna o directa
- Ⓜ ..... Construcción de Clase II (doble aislamiento)
- n<sub>0</sub> ..... velocidad sin carga
- n ..... velocidad nominal
- Ⓜ ..... terminal de conexión a tierra
- ⚠ ..... símbolo de advertencia de seguridad
- ☠ ..... radiación visible
- ☎ ..... protección respiratoria
- 👁 ..... protección ocular
- 👂 ..... protección auditiva
- 📖 ..... lea toda la documentación

**GUARDE ESTAS INSTRUCCIONES PARA VOLVER A CONSULTAR EN EL FUTURO**

**Motor**

Asegúrese de que la fuente de energía concuerde con lo que se indica en la placa. Un descenso en el voltaje de más del 10% producirá una pérdida de potencia y sobrecalentamiento. Todas las herramientas son probadas en fábrica; si esta herramienta no funciona, verifique el suministro eléctrico.

**COMPONENTES**

**Uso Debido**

Esta sierra caladora está diseñada para aplicaciones profesionales.

**NO** utilice la herramienta en condiciones de humedad o en presencia de líquidos o gases inflamables.

Esta sierra caladora es una herramienta eléctrica profesional.

**NO** permita que los niños toquen la herramienta. Si el operador no tiene experiencia operando esta herramienta, su uso deberá ser supervisado.

## MONTAJE Y AJUSTES



**ADVERTENCIA:** Para reducir el riesgo de lesiones personales graves, apague la herramienta y desconéctela de la fuente de alimentación antes de realizar ajustes o de retirar/instalar dispositivos o accesorios. Un arranque accidental podría causar lesiones.

### Instalación de la Hoja (Fig. B)

1. Empuje la palanca de bloqueo de la hoja de sierra **4** hacia arriba.
2. Con los dientes orientados hacia adelante, introduzca el vástago de la hoja de sierra en el portahojas tanto como sea posible.
3. Suelte la palanca.
4. Verifique para asegurarse de que la hoja esté firme antes de cortar.

Fig. B

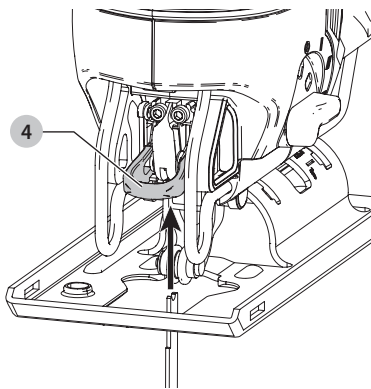


Fig. C

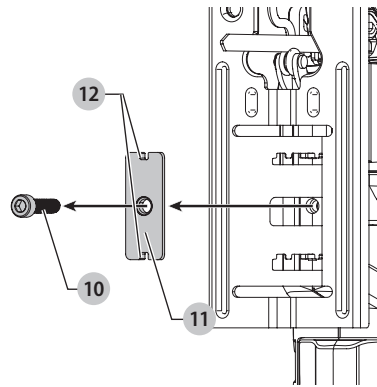
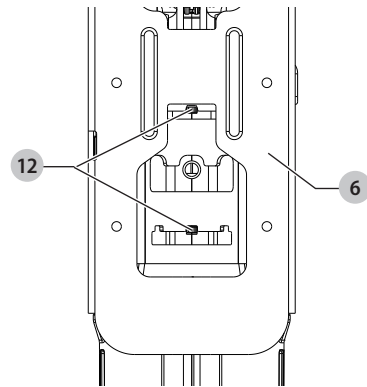


Fig. D



### Ajuste de La Zapata Para Cortes en Bisel (Fig. A, C, D)



**ADVERTENCIA:** Nunca utilice la herramienta cuando la zapata **6** esté suelta o fuera de su lugar.

La zapata puede fijarse para un ángulo de biselado a la derecha o a la izquierda hasta de 45 grados.

1. Invierta la sierra. Utilice la llave **9** para aflojar el tornillo de fijación **10** y la placa de fijación **11** como se muestra en la Figura C.
2. Deslice la zapata **6** hacia adelante y gírela hacia la izquierda o la derecha al ángulo requerido.
3. Deslice la zapata hacia atrás de manera que las ranuras de chaveta de la placa de la zapata encajen con los postes de bloqueo **12** como se muestra en la Figura D.
4. Ajuste el tornillo de fijación y la placa de fijación con el lado biselado hacia la herramienta.

## OPERACIÓN



**ADVERTENCIA:** Para reducir el riesgo de lesiones personales graves, apague la herramienta y desconéctela de la fuente de alimentación antes de realizar ajustes o de retirar/instalar dispositivos o accesorios. Un arranque accidental podría causar lesiones.



### Posición Adecuada de las Manos (Fig. E)

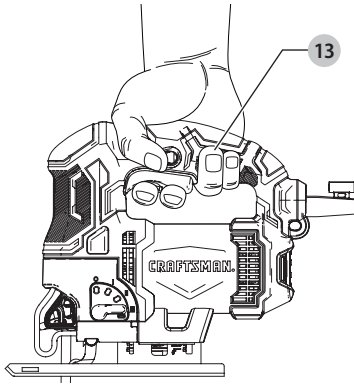
**ADVERTENCIA:** Para reducir el riesgo de lesión personal grave, tenga **SIEMPRE** las manos en una posición adecuada como se muestra.



**ADVERTENCIA:** Para reducir el riesgo de lesión personal grave, sujete **SIEMPRE** bien en caso de que haya una reacción repentina.

La posición adecuada de las manos requiere una mano en la manija principal **13**.

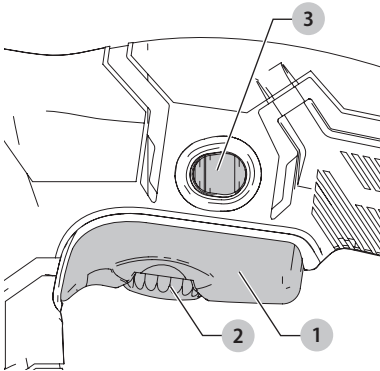
Fig. E



### Encendido y Apagado (Fig. F)

1. Para encender la herramienta, oprima el interruptor disparador 1.
2. Para obtener un funcionamiento continuo, oprima el interruptor disparador y luego el botón de bloqueo 3. Una vez que haya oprimido el botón de bloqueo, suelte el interruptor disparador.
3. Para apagar la herramienta, suelte el interruptor disparador. Para apagar la herramienta cuando está en funcionamiento continuo, oprima el disparador y se liberará el bloqueo.

Fig. F



### Carátula de Control de Velocidad (Fig. F)

Al girar la carátula de control de velocidad 2, se ajusta la velocidad máxima o las carreras por minuto en las que cortará la cuchilla. Girar la carátula en dirección de las manecillas del reloj incrementará la velocidad. Para disminuir la velocidad, gire la carátula en dirección opuesta. El ajuste de velocidad máxima es 7. El ajuste de velocidad mínima es 1.

### Acción de Corte

#### Orbital o en Línea Recta (Fig. G)

**⚠️ ADVERTENCIA:** Verifique que la herramienta no esté bloqueada antes de conectarla al suministro de energía. Si el interruptor disparador está bloqueado

cuando conecta la herramienta al suministro de energía, la herramienta arrancará inmediatamente. Podría provocar lesiones o daños a su herramienta.

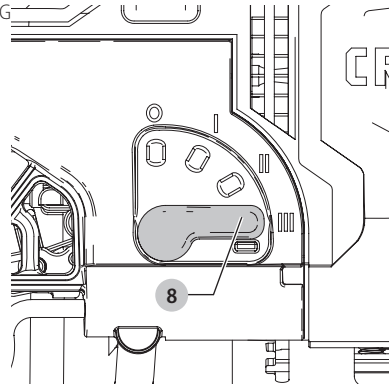
Esta sierra caladora está equipada con cuatro acciones de corte, tres orbitales y uno en línea recta. La acción orbital tiene un movimiento de hoja más agresivo y está diseñada para cortar materiales blandos como la madera o el plástico. La acción orbital proporciona un corte más rápido, pero un corte menos uniforme del material. En la acción orbital, la hoja se mueve hacia adelante durante la carrera de corte además del movimiento hacia arriba y hacia abajo.

**NOTA:** Nunca debe cortar metal o maderas duras con la acción orbital.

#### Para Ajustar la Acción de Corte

- Mueva la palanca de acción de corte 8 entre las cuatro posiciones de corte: 0, 1, 2 y 3. La posición 0 es para cortes rectos. Las posiciones 1, 2 y 3 son para cortes orbitales. La agresividad del corte aumenta a medida que ajusta la palanca del 1 al 3, que es el corte más agresivo.

Fig. G



### Sugerencia para un Uso Óptimo

#### Consejos para Cortar Laminados

- Como la hoja de sierra hace el corte en su trayectoria hacia arriba, puede que la superficie más cercana a la platina se astille.
- Use una hoja de dientes afinados.
- Haga el aserrado desde la superficie posterior de la pieza de corte.
- A fin de minimizar el astillado, afiance un resto de madera o madera prensada a ambos lados de la pieza de corte y proceda a aserrar a través de esta especie de "sandwich".

#### Consejos para Cortar Metal

- Para empezar, recuerde que aserrar metales toma mucho más tiempo que aserrar madera.
- Use una hoja apropiada para aserrar metales.
- En cortes de láminas delgadas, afiance un resto de madera a la parte posterior de la pieza y corte a través de esta especie de "sandwich".
- Distribuya una capa de aceite a lo largo de la línea de corte deseada para una mejor operación y una mayor



duración de la hoja. Para cortes en aluminio, coloque kerosén preferentemente.

### Corte de Bolsillo (Fig. H, I)

Un corte de bolsillo es un método fácil de serrar un interior. La sierra puede insertarse directamente en un panel o tablero sin la primera perforación de plomo o un agujero piloto. Corte de bolsillo, mide la superficie a cortar y marcarla claramente con un lápiz. A continuación punta la sierra hacia adelante hasta que el extremo delantero del zapato se asienta firmemente sobre la superficie de trabajo y la hoja aleje el trabajo a través de su recorrido completo. Encienda la herramienta y permite alcanzar la velocidad máxima. Sujete la sierra firmemente y baje lentamente el borde posterior de la herramienta hasta que la hoja llegue a su profundidad completa. Mantenga la zapata plana contra la madera y empezar a cortar. No retire la cuchilla de corte mientras se sigue moviendo. Hoja debe venir a una parada completa.

Fig. H

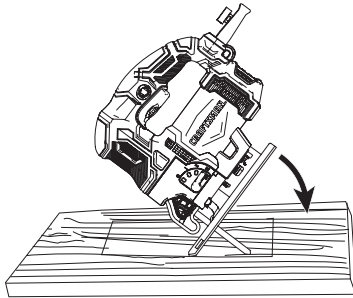
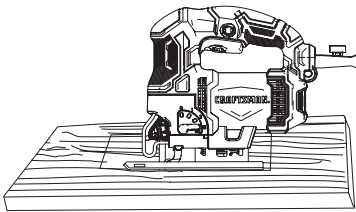


Fig. I



### MANTENIMIENTO



**ADVERTENCIA:** Para reducir el riesgo de lesiones personales graves, apague la herramienta y desconéctela de la fuente de alimentación antes de realizar ajustes o de retirar/instalar dispositivos o accesorios. Un arranque accidental podría causar lesiones.

### Accesorios



**ADVERTENCIA:** Debido a que no se han probado con este producto otros accesorios que no sean los que ofrece CRAFTSMAN, el uso de dichos accesorios con esta herramienta podría ser peligroso. Para reducir el riesgo de lesiones, con este producto deben usarse sólo los accesorios recomendados por CRAFTSMAN.

Los accesorios que se recomiendan para utilizar con la herramienta están disponibles a un costo adicional en su distribuidor local o en un centro de mantenimiento autorizado. Si necesita ayuda para localizar algún accesorio, póngase en contacto con Craftsman Tool Co., 701 East Joppa Road, Towson, MD 21286, llame al 1-888-331-4569 o visite nuestro sitio web: [www.craftsman.com/registration](http://www.craftsman.com/registration).

### Versatrack (Fig. J)



**ADVERTENCIA:** Para reducir el riesgo de lesiones personales, apague la unidad y desconéctela la fuente de energía antes de realizar cualquier ajuste o retirar/instalar conexiones o accesorios. Un arranque accidental puede causar lesiones.



**ADVERTENCIA:** Para reducir el riesgo de lesiones personales graves, no utilice un gancho de clavija de Versatrack dañado o un lazo colgante o un Trackwall de Versatrack. Un gancho de clavija o un lazo de sujeción de Versatrack dañado o un Trackwall de Versatrack no soportarán el peso de la herramienta.



**ADVERTENCIA:** Asegúrese que el peso de la herramienta no exceda el peso nominal máximo para el gancho VersaTrack seleccionado.



**ADVERTENCIA:** Cuando cuelgue objetos en la pared VersaTrack, separe adecuadamente las herramientas para que no excedan 34 kg (75 lbs) por pie lineal.

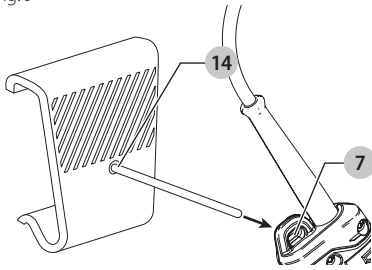
Versatrack accessories mount compatible tools securely to the Versatrack Trackwall.

1. Para colgar la herramienta con cable en el Trackwall de Versatrack, monte el gancho de clavija 14 en el Trackwall de Versatrack.
2. Apague la herramienta, retire los accesorios y desconecte la fuente de energía.
3. Cualquier producto con dientes cortantes expuestos debe tenerlos cubiertos de forma segura si va a estar en el Trackwall de Versatrack.
4. Deslice el gancho de clavija 7 Versatrack a través del lazo colgante ubicado en la herramienta.

Los accesorios Versatrack sólo son compatibles con el sistema Trackwall de Versatrack.

**NOTA:** Los accesorios Versatrack para uso con su herramienta están disponibles por un costo adicional a partir de su distribuidor local o centro de servicio autorizado. Si necesita ayuda para encontrar cualquier accesorio, comuníquese con CRAFTSMAN, llame al 1-888-331-4569.

Fig. J



**Reparaciones** El cargador y las unidades de batería no pueden ser reparados. El cargador y la unidad de batería no contienen piezas reparables.

**⚠️ ADVERTENCIA:** Para asegurar la **SEGURIDAD** y la **CONFIABILIDAD** del producto, las reparaciones, el mantenimiento y los ajustes (inclusive la inspección y el cambio de las escobillas, cuando proceda) deben ser realizados en un centro de mantenimiento en la fábrica CRAFTSMAN u en un centro de mantenimiento autorizado CRAFTSMAN. Utilice siempre piezas de repuesto idénticas.

**Para reparación y servicio de sus herramientas eléctricas, favor de dirigirse al Centro de Servicio más cercano**

**CULIACAN, SIN**

Blvd. Emiliano Zapata 5400-1 Poniente Col. (667) 717 89 99  
San Rafael

**GUADALAJARA, JAL**

Av. La Paz #1779 - Col. Americana Sector (33) 3825 6978  
Juárez

**MEXICO, D.F.**

Eje Central Lázaro Cárdenas No. 18 - Local (55) 5588 9377  
D, Col. Obrera

**MERIDA, YUC**

Calle 63 #459-A - Col. Centro (999) 928 5038

**MONTERREY, N.L.**

Av. Francisco I. Madero 831 Poniente - Col. (818) 375 23 13  
Centro

**PUEBLA, PUE**

17 Norte #205 - Col. Centro (222) 246 3714

**QUERETARO, QRO**

Av. San Roque 274 - Col. San Gregorio (442) 2 17 63 14

**SAN LUIS POTOSI, SLP**

Av. Universidad 1525 - Col. San Luis (444) 814 2383

**TORREON, COAH**

Blvd. Independencia, 96 Pte. - Col. Centro (871) 716 5265

**VERACRUZ, VER**

Prolongación Díaz Mirón #4280 - Col. (229) 921 7016  
Remes

**VILLAHERMOSA, TAB**

Constitución 516-A - Col. Centro (993) 312 5111

**PARA OTRAS LOCALIDADES:**

Si se encuentra en México, por favor llame al  
(55) 5326 7100

Si se encuentra en U.S., por favor llame al  
1-888-331-4569

**Póliza de Garantía**

IDENTIFICACIÓN DEL PRODUCTO:

Sello o firma del Distribuidor.

Nombre del producto: \_\_\_\_\_

Mod./Cat.: \_\_\_\_\_

Marca: \_\_\_\_\_

Núm. de serie: \_\_\_\_\_

(Datos para ser llenados por el distribuidor)

Fecha de compra y/o entrega del producto: \_\_\_\_\_

Nombre y domicilio del distribuidor donde se adquirió el producto: \_\_\_\_\_

Este producto está garantizado por un año a partir de la fecha de entrega, contra cualquier defecto en su funcionamiento, así como en materiales y mano de obra empleados para su fabricación. Nuestra garantía incluye la reparación o reposición del producto y/o componentes sin cargo alguno para el cliente, incluyendo mano de obra, así como los gastos de transportación razonablemente erogados derivados del cumplimiento de este certificado.

Para hacer efectiva esta garantía deberá presentar su herramienta y esta póliza sellada por el establecimiento comercial donde se adquirió el producto, de no contar con ésta, bastará la factura de compra.

**Excepciones**

Esta garantía no será válida en los siguientes casos:

- Cuando el producto se hubiese utilizado en condiciones distintas a las normales;
- Cuando el producto no hubiese sido operado de acuerdo con el instructivo de uso que se acompaña;
- Cuando el producto hubiese sido alterado o reparado por personas distintas a las enlistadas al final de este certificado.

Anexo encontrará una relación de sucursales de servicio de fábrica, centros de servicio autorizados y franquiciados en la República Mexicana, donde podrá hacer efectiva su garantía y adquirir partes, refacciones y accesorios originales.

Solamente para propósito de México:

Importado por: Craftsman. Tool Co. S.A. de C.V.

Avenida Antonio Dovali Jaime, # 70 Torre B Piso 9

Colonia La Fe, Santa Fé

Código Postal : 01210

Delegación Alvaro Obregón

México D.F.

Tel. (52) 555-326-7100

R.F.C.: BDE810626-1W7

## Limpieza



**ADVERTENCIA:** *Sople la suciedad y el polvo de todos los conductos de ventilación con aire seco, al menos una vez por semana. Para reducir el riesgo de lesiones, utilice siempre protección para los ojos aprobada ANSI Z87.1 al realizar esta tarea.*



**ADVERTENCIA:** *Nunca utilice solventes ni otros químicos abrasivos para limpiar las piezas no metálicas de la herramienta. Estos productos químicos pueden debilitar los materiales plásticos utilizados en estas piezas. Utilice un paño humedecido sólo con agua y jabón neutro. Nunca permita que penetre líquido dentro de la herramienta ni sumerja ninguna de las piezas en un líquido.*

## Registro en Línea

Gracias por su compra. Registre su producto ahora para:

- **SERVICIO EN GARANTÍA:** Si completa esta tarjeta, podrá obtener un servicio en garantía más eficiente, en caso de que exista un problema con su producto.
- **CONFIRMACIÓN DE PROPIEDAD:** En caso de una pérdida que cubra el seguro, como un incendio, una inundación o un robo, el registro de propiedad servirá como comprobante de compra.
- **PARA SU SEGURIDAD:** Si registra el producto, podremos comunicarnos con usted en el caso improbable que se deba enviar una notificación de seguridad conforme a la Federal Consumer Safety Act (Ley Federal de Seguridad de Productos para el Consumidor).

Registro en línea en [www.craftsman.com/registration](http://www.craftsman.com/registration).

## Garantía Limitada por Tres Años

CRAFTSMAN reparará o reemplazará, sin cargo, cualquier defecto debido a materiales o mano de obra defectuosos por tres años desde la fecha de compra. Esta garantía no cubre falla de partes debido al desgaste normal o abuso de la herramienta. Para detalles adicionales de la cobertura de la garantía e información de reparación de garantía, visite [www.craftsman.com](http://www.craftsman.com) o llame al **1-888-331-4569**.

Esta garantía no se aplica a accesorios o daño causado cuando otros hayan realizado o intentado reparaciones. ESTA GARANTÍA LIMITADA SE OTORGA EN LUGAR DE TODAS LAS DEMÁS, INCLUIDA LA GARANTÍA IMPLÍCITA DE COMERCIABILIDAD E IDONEIDAD PARA UN PROPÓSITO EN PARTICULAR, Y EXCLUYE TODOS LOS DAÑOS INCIDENTALES O EN CONSECUENCIA. Algunos estados no permiten limitaciones sobre la duración de una garantía implícita o la exclusión o limitación de daños incidentales o en consecuencia, por lo que estas limitaciones pueden no aplicarse en su caso. Esta garantía le da derechos legales específicos y puede tener otros derechos que varían en ciertos estados o provincias.

### GARANTÍA DE REEMBOLSO DE SU DINERO POR 90 DÍAS

Si no está completamente satisfecho con el desempeño de su máquina herramienta o clavadora CRAFTSMAN, cualquiera sea el motivo, podrá devolverlo hasta 90 días de la fecha de compra con su recibo y obtener el reembolso completo de su dinero – sin necesidad de responder a ninguna pregunta.

**AMÉRICA LATINA:** Esta garantía no se aplica a los productos que se venden en América Latina. Para los productos que se venden en América Latina, debe consultar la información de la garantía específica del país que viene en el empaque, llamar a la compañía local o visitar el sitio Web a fin de obtener esa información.

### REEMPLAZO GRATUITO DE LAS ETIQUETAS DE

**ADVERTENCIAS:** Si sus etiquetas de advertencia se vuelven ilegibles o faltan, llame al **1-888-331-4569** para que se le reemplacen gratuitamente.

## GUÍA DE SOLUCIÓN DE PROBLEMAS

### ASEGÚRESE DE SEGUIR LAS REGLAS E INSTRUCCIONES DE SEGURIDAD

Para conocer la ubicación del centro de mantenimiento más cercano a fin de recibir ayuda con su producto, visite nuestro sitio Web [www.craftsman.com](http://www.craftsman.com) o llame a la línea de ayuda CRAFTSMAN al 1-888-331-4569.

PROBLEMA	CAUSA POSIBLE	SOLUCIÓN POSIBLE
La unidad no enciende.	Cable desenchufado.	Enchufe el cargador en un tomacorriente que funcione.
	Fusible quemado.	Reemplace el fusible quemado. (Si el producto causa repetidamente que se funda el fusible de circuito, descontinúe el uso de inmediato, y pida que le den servicio en un centro de servicio autorizado.)
El interruptor automático está activado.	El interruptor automático está activado.	Reinicie el interruptor automático. (Si el producto causa repetidamente que se funda el fusible de circuito, descontinúe el uso de inmediato, y pida que le den servicio en un centro de servicio autorizado.)
	Interruptor o cable dañado.	Pida que un centro de servicio autorizado reemplace el cable o interruptor.

Craftsman, 701 East Joppa Road, Towson, MD 21286  
Copyright © 2018