

CRAFTSMAN®

INSTRUCTION MANUAL | GUIDE D'UTILISATION | MANUAL DE INSTRUCCIONES

24" (610mm) Twist Handle Hedge Trimmer
Taille-haie à poignée pivotante 610mm (24 po)
Cortasetos de Manija Giratoria de 610mm (24")

CMEHTS824



IF YOU HAVE QUESTIONS OR COMMENTS, CONTACT US.
POUR TOUTE QUESTION OU TOUT COMMENTAIRE, NOUS CONTACTER.
SI TIENE DUDAS O COMENTARIOS, CONTÁCTENOS.

1-888-331-4569 **WWW.CRAFTSMAN.COM**

English (***original instructions***)

1

Français (*traduction de la notice d'instructions originale*)

10

Español (*traducido de las instrucciones originales*)

20

Definitions: Safety Alert Symbols and Words

This instruction manual uses the following safety alert symbols and words to alert you to hazardous situations and your risk of personal injury or property damage.

! **DANGER:** Indicates an imminently hazardous situation which, if not avoided, **will** result in **death or serious injury**.

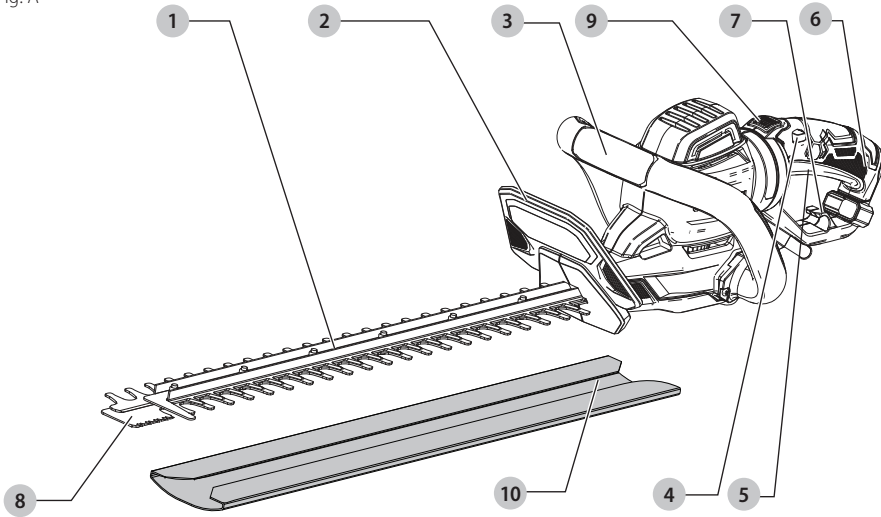
! **WARNING:** Indicates a potentially hazardous situation which, if not avoided, **could** result in **death or serious injury**.

! **CAUTION:** Indicates a potentially hazardous situation which, if not avoided, **may** result in **minor or moderate injury**.

! (Used without word) Indicates a safety related message.

NOTICE: Indicates a practice **not related to personal injury** which, if not avoided, **may** result in **property damage**.

Fig. A



- 1 Blade
- 2 Guard
- 3 Bail handle
- 4 Lock off button
- 5 Trigger switch
- 6 Switch handle
- 7 Cord retainer
- 8 Power Saw
- 9 Rotate button
- 10 Sheath

! **WARNING:** Read all safety warnings and all instructions. Failure to follow the warnings and instructions may result in electric shock, fire and/or serious injury.

! **WARNING:** To reduce the risk of injury, read the instruction manual.

If you have any questions or comments about this or any product, call CRAFTSMAN toll free at: 1-888-331-4569.

24" (610mm) Twist Handle Hedge Trimmer CMEHTS824

GENERAL POWER TOOL SAFETY WARNINGS

⚠ WARNING: Read all safety warnings, instructions, illustrations and specifications provided with this power tool. Failure to follow all instructions listed below may result in electric shock, fire and/or serious injury.

SAVE ALL WARNINGS AND INSTRUCTIONS FOR FUTURE REFERENCE.

The term "power tool" in the warnings refers to your mains-operated (corded) power tool or battery-operated (cordless) power tool.

1) Work Area Safety

- Keep work area clean and well lit.** Cluttered or dark areas invite accidents.
- Do not operate power tools in explosive atmospheres, such as in the presence of flammable liquids, gases or dust.** Power tools create sparks which may ignite the dust or fumes.
- Keep children and bystanders away while operating a power tool.** Distractions can cause you to lose control.

2) Electrical Safety

- Power tool plugs must match the outlet. Never modify the plug in any way. Do not use any adapter plugs with earthed (grounded) power tools.** Unmodified plugs and matching outlets will reduce risk of electric shock.
- Avoid body contact with earthed or grounded surfaces, such as pipes, radiators, ranges and refrigerators.** There is an increased risk of electric shock if your body is earthed or grounded.
- Do not expose power tools to rain or wet conditions.** Water entering a power tool will increase the risk of electric shock.
- Do not abuse the cord. Never use the cord for carrying, pulling or unplugging the power tool. Keep cord away from heat, oil, sharp edges or moving parts.** Damaged or entangled cords increase the risk of electric shock.
- When operating a power tool outdoors, use an extension cord suitable for outdoor use.** Use of a cord suitable for outdoor use reduces the risk of electric shock.
- If operating a power tool in a damp location is unavoidable, use a ground fault circuit interrupter (GFCI) protected supply.** Use of a GFCI reduces the risk of electric shock.

3) Personal Safety

- Stay alert, watch what you are doing and use common sense when operating a power tool. Do not use a power tool while you are tired or under**

the influence of drugs, alcohol or medication. A moment of inattention while operating power tools may result in serious personal injury.

- Use personal protective equipment. Always wear eye protection.** Protective equipment such as a dust mask, non-skid safety shoes, hard hat, or hearing protection used for appropriate conditions will reduce personal injuries.
- Prevent unintentional starting. Ensure the switch is in the off-position before connecting to power source and/or battery pack, picking up or carrying the tool.** Carrying power tools with your finger on the switch or energizing power tools that have the switch on invites accidents.
- Remove any adjusting key or wrench before turning the power tool on.** A wrench or a key left attached to a rotating part of the power tool may result in personal injury.
- Do not overreach. Keep proper footing and balance at all times.** This enables better control of the power tool in unexpected situations.
- Dress properly. Do not wear loose clothing or jewelry. Keep your hair, clothing and gloves away from moving parts.** Loose clothes, jewelry or long hair can be caught in moving parts.
- If devices are provided for the connection of dust extraction and collection facilities, ensure these are connected and properly used.** Use of dust collection can reduce dust-related hazards.
- Do not let familiarity gained from frequent use of tools allow you to become complacent and ignore tool safety principles.** A careless action can cause severe injury within a fraction of a second.

4) Power Tool Use and Care

- Do not force the power tool. Use the correct power tool for your application.** The correct power tool will do the job better and safer at the rate for which it was designed.
- Do not use the power tool if the switch does not turn it on and off.** Any power tool that cannot be controlled with the switch is dangerous and must be repaired.
- Disconnect the plug from the power source and/or remove the battery pack, if detachable, from the power tool before making any adjustments, changing accessories, or storing power tools.** Such preventive safety measures reduce the risk of starting the power tool accidentally.
- Store idle power tools out of the reach of children and do not allow persons unfamiliar with the power tool or these instructions to operate the power tool.** Power tools are dangerous in the hands of untrained users.
- Maintain power tools and accessories. Check for misalignment or binding of moving parts, breakage of parts and any other condition**

that may affect the power tool's operation. If damaged, have the power tool repaired before use. Many accidents are caused by poorly maintained power tools.

- f) **Keep cutting tools sharp and clean.** Properly maintained cutting tools with sharp cutting edges are less likely to bind and are easier to control.
- g) **Use the power tool, accessories and tool bits etc. in accordance with these instructions, taking into account the working conditions and the work to be performed.** Use of the power tool for operations different from those intended could result in a hazardous situation.
- h) **Keep handles and grasping surfaces dry, clean and free from oil and grease.** Slippery handles and grasping surfaces do not allow for safe handling and control of the tool in unexpected situations.

5) Service

- a) **Have your power tool serviced by a qualified repair person using only identical replacement parts.** This will ensure that the safety of the power tool is maintained.

Hedge Trimmer Safety Warnings

- **Use both hands when operating the hedge trimmer.** Using one hand could cause loss of control and result in serious personal injury.
- **Keep all parts of the body away from the cutter blade. Do not remove cut material or hold material to be cut when blades are moving. Make sure the switch is off when clearing jammed material. Blades coast after turn off.** A moment of inattention while operating the hedge trimmer may result in serious personal injury.
- **Carry the hedge trimmer by the switch handle with the cutter blade stopped.** Proper handling of the hedge trimmer will reduce possible personal injury from the cutter blades.
- **Hold the power tool by insulated gripping surfaces only, because the cutter blade may contact hidden wiring or its own cord.** Cutter blades contacting a "live" wire may make exposed metal parts of the power tool "live" and could give the operator an electric shock.
- **Keep cable away from cutting area.** During operation the cable may be hidden in shrubs and can be accidentally cut by the blade
- **Keep extension cord away from cutting area.** During operation the extension cord may be hidden in shrubs and can be accidentally cut by the blade.
- **Check the hedge for foreign objects, e.g. wire fences.**

! **DANGER:** **Keep hands away from blade.**
Contact with blade will result in serious personal injury.

! **WARNING:** **Wear eye protection.**

! **WARNING:** **Do not expose to rain.**

! **WARNING:** **Only use with bail handle and blade guard properly assembled to hedge trimmer.** The use of the hedge trimmer without the proper guard or handle provided may result in serious personal injury.

! **WARNING:** **Remove plug from the outlet immediately if the extension cord becomes damaged or cut.**

Additional Safety Information

! **WARNING:** **Never modify the power tool or any part of it.** Damage or personal injury could result.

! **WARNING:** **ALWAYS use safety glasses.** Everyday eyeglasses are NOT safety glasses. Also use face or dust mask if operation is dusty. **ALWAYS WEAR CERTIFIED SAFETY EQUIPMENT:**

- ANSI Z87.1 eye protection (CAN/CSA Z94.3),
- ANSI S12.6 (S3.19) hearing protection,
- NIOSH/OSHA/MSHA respiratory protection.

! **WARNING:** **Some dust contains chemicals known to State of California to cause cancer, birth defects or other reproductive harm. Some examples of these chemicals are:**

- compounds in fertilizers,
- compounds in insecticides, herbicides and pesticides,
- arsenic and chromium from chemically treated lumber.

To reduce your exposure to these chemicals, wear approved safety equipment such as dust masks that are specially designed to filter out microscopic particles.

! **WARNING:** **Use of this tool can generate and/or disperse dust, which may cause serious and permanent respiratory or other injury. Always use NIOSH/OSHA approved respiratory protection appropriate for the dust exposure. Direct particles away from face and body.**

! **WARNING:** **Always wear proper personal hearing protection that conforms to ANSI S12.6 (S3.19) during use.** Under some conditions and duration of use, noise from this product may contribute to hearing loss.

⚠ CAUTION: *When not in use, place tool on its side on a stable surface where it will not cause a tripping or falling hazard. Some tools will stand upright but may be easily knocked over.*

- **Air vents often cover moving parts and should be avoided.** Loose clothes, jewelry or long hair can be caught in moving parts.
- **An extension cord must have adequate wire size (AWG or American Wire Gauge) for safety.** The smaller the gauge number of the wire, the greater the capacity of the cable, that is, 16 gauge has more capacity than 18 gauge. An undersized cord will cause a drop in line voltage resulting in loss of power and overheating. When using more than one extension to make up the total length, be sure each individual extension contains at least the minimum wire size. The following table shows the correct size to use depending on cord length and nameplate ampere rating. If in doubt, use the next heavier gauge. The lower the gauge number, the heavier the cord.

Minimum Gauge for Cord Sets

Volts	Total Length of Cord in Feet (meters)					
	120 V	25 (7.6)	50 (15.2)	100 (30.5)	150 (45.7)	
240 V	50 (15.2)	100 (30.5)	200 (61.0)	300 (91.4)		
Ampere Rating More Than		American Wire Gauge				
0	6	18	16	16	14	
6	10	18	16	14	12	
10	12	16	16	14	12	
12	16	14	12	Not Recommended		

The label on your tool may include the following symbols. The symbols and their definitions are as follows:

- | | |
|--|---|
| V.....volts |Class II Construction (double insulated) |
| Hz.....hertz | n ₀no load speed |
| min.....minutes | n.....rated speed |
| — or DC.....direct current |earthing terminal |
|Class I Construction (grounded) |safety alert symbol |
| .../min.....per minute |visible radiation |
| BPM.....beats per minute |avoid staring at light |
| IPM.....impacts per minute |wear respiratory protection |
| RPM.....revolutions per minute |wear eye protection |
| sfpm.....surface feet per minute |wear hearing protection |
| SPM.....strokes per minute |read all documentation |
| OPM.....oscillations per minute |IP symbol |
| A.....amperes | |
| W.....watts | |
| or AC.....alternating current | |
| or AC/DC.....alternating or direct current | |

Motor

Be sure your power supply agrees with the nameplate marking. Voltage decrease of more than 10% will cause loss of power and overheating. These tools are factory tested; if this tool does not operate, check power supply.

Intended Use

This hedge trimmer is designed for residential use.

DO NOT use under wet conditions or in presence of flammable liquids or gases.

DO NOT let children come into contact with the tool. Supervision is required when inexperienced operators use this tool.

ASSEMBLY AND ADJUSTMENTS

⚠ WARNING: *To reduce the risk of serious personal injury, turn unit off and disconnect it from power source before making any adjustments or removing/installing attachments or accessories. An accidental start-up can cause injury.*

Assembly Tools Required

- Crosshead Screwdriver

Attaching Guard and Bail Handle to Trimmer (Fig. B, C)

⚠ WARNING: *Only use with bail handle and guard properly assembled to hedge trimmer. The use of the hedge trimmer without the proper guard or handle provided may result in serious personal injury.*

The trimmer is shipped with the guard and bail handle attached to the trimmer with a plastic zip tie.

Attaching Guard to Trimmer (Fig. B)

1. Remove guard retaining screw **11** with the crosshead screwdriver (not supplied).
2. Slide the guard **2** fully onto the front of the trimmer housing.
3. Insert the guard retaining screw **11** into the opening on the side of the housing and tighten securely.

Attaching the Bail Handle (Fig. C)

1. Cut the plastic zip tie.
2. Remove the four screws **12** that are partially run into the trimmer housing (Figure C).
3. Slide the bail handle **3** onto the front of the trimmer housing behind the guard.
4. Insert the four screws into the openings on the side of the bail handle and tighten securely as shown in Fig. C.

Fig. B

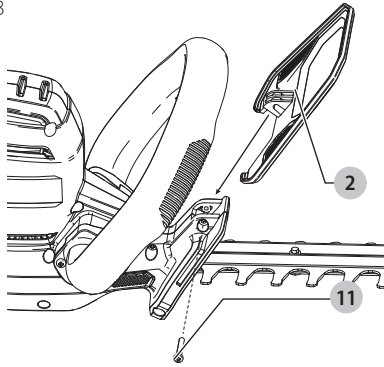
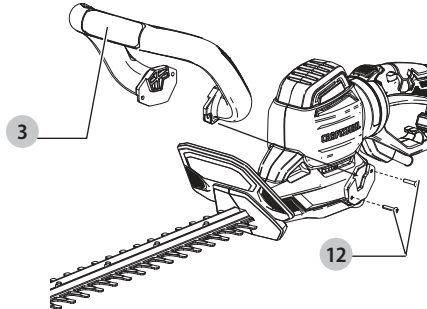


Fig. C

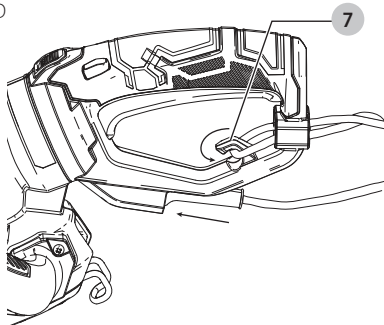


Attaching Extension Cord to Trimmer (Fig. A, D)

An extension cord retainer is built into the switch handle that helps prevent the tool from coming unplugged.

1. Overlap the pigtail cord with the extension cord and tie the two cords in a knot as shown in Figure D.
2. Double the extension cord several inches from the end. Feed the loop onto the cord retainer **7** as shown in Fig. D.
3. Gently tug on the cord to insure that it is firmly retained in the trimmer's handle.

Fig. D



To Turn the Tool ON (Fig. E)

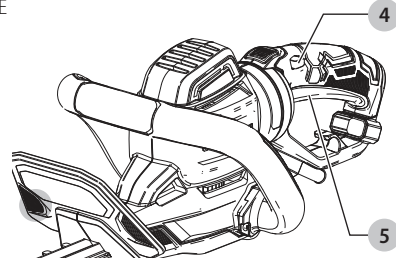
⚠ WARNING: Never attempt to lock a switch in the ON position.

⚠ CAUTION: Do not use blade to cut stems greater than 3/4" (19 mm). Use the trimmer only for cutting normal shrubbery around houses and buildings. **NOTE:** Power Saw can cut stems and branches up to 1.5" (38.1 mm).

To turn the tool "ON", push the lock off button **4** and squeeze the trigger switch **5**. Once the unit is running, you may release the lock off button.

To turn the tool "OFF", release the trigger.

Fig. E



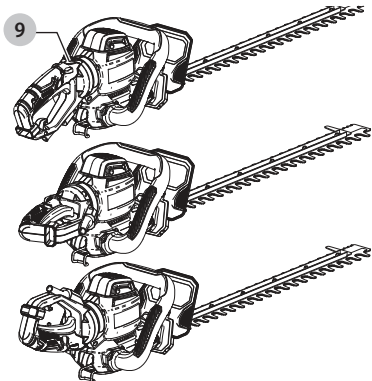
Rotating the Rear Handle (Fig. F)

The rear handle has the capability of rotating 180°. There are optional stops at 0°, 45° and 90° which are ideal for side cuts and rounded or irregular shaped shrubs.

To rotate the rear handle, press in on the rotate button **9** and turn in the desired direction as shown in Figure F.

Figure F depicts the rear handle in 90° left, 0° and 90° right positions.

Fig. F



OPERATION

⚠ WARNING: To reduce the risk of serious personal injury, turn unit off and disconnect it from power source before making any adjustments or removing/installing attachments or accessories. An accidental start-up can cause injury.

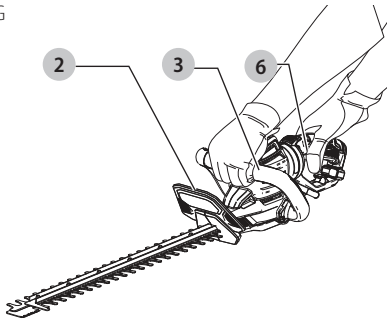
Proper Hand Position (Fig. G)

⚠ WARNING: To reduce the risk of serious personal injury, **ALWAYS** use proper hand position as shown.

⚠ WARNING: To reduce the risk of serious personal injury, **ALWAYS** hold securely in anticipation of a sudden reaction.

Proper hand position requires one hand on the switch handle **6** and one hand on the bail handle **3**. Never hold the unit by the blade guard **2**.

Fig. G



Trimming Instructions (Fig. H–L)

⚠ DANGER: Keep hands away from blade and Power Saw.

⚠ WARNING: To guard against injury, observe the following:

- Read instruction manual before using. Save instruction manual.
- Check the hedge for foreign objects such as wires or fences before each use.
- Keep hands on handles. Don't overreach.
- Do not use under wet conditions.

⚠ CAUTION: Blade may coast after turn off.

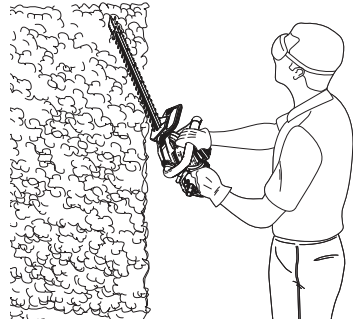
Extension Cord (Fig. H)

Always keep extension cord behind trimmer and away from the trimming operation. Never drape it over a hedge being trimmed. If you cut or damage the cord, unplug it at the electrical outlet immediately, before inspecting or repairing cord.

Working Position (Fig. H)

Maintain proper footing and balance and do not overreach. Wear safety goggles, non-skid footwear and rubber gloves when trimming. Hold the tool firmly in both hands and turn the tool ON. Always hold the trimmer, as shown in Fig. H, with one hand on the switch handle and one hand on the bail handle. Never hold the tool by the blade guard.

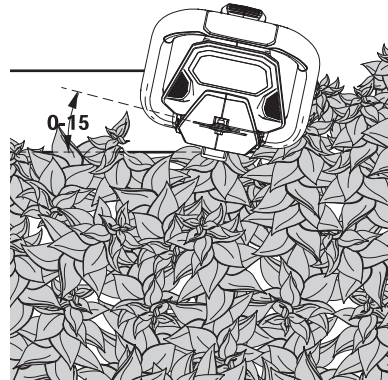
Fig. H



Trimming New Growth (Fig. I)

Using a wide, sweeping motion and feeding the blade teeth through the twigs, is most effective. A slight downward tilt of the blade in the direction of motion gives the best cutting.

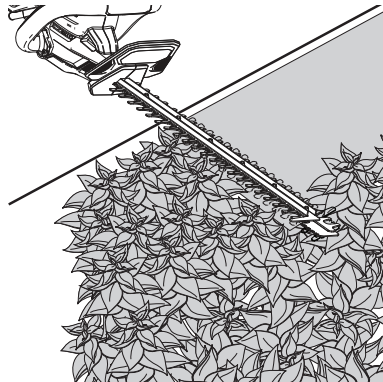
Fig. I



Level Hedges (Fig. J)

To obtain exceptionally level hedges a piece of string can be stretched along the length of the hedge as a guide.

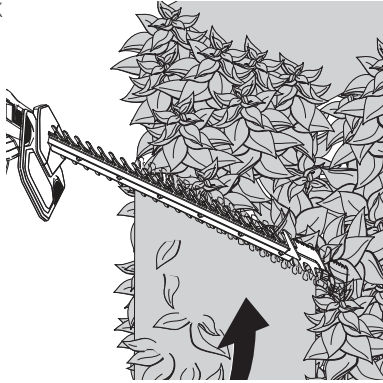
Fig. J



Side Trimming Hedges (Fig. K)

Orient the trimmer as shown and begin at the bottom and sweep up.

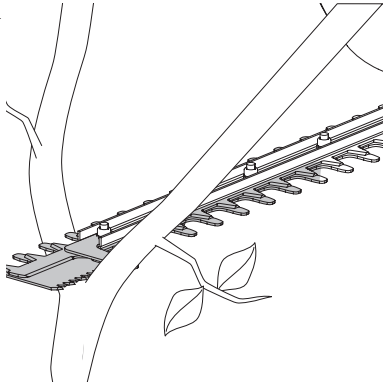
Fig. K



Power Saw (Fig. L)

For branches too large for the blade 1 to cut, use the Power Saw 8. Position the Power Saw as close to the bottom of the branch as possible. Place the Power Saw shoe against the branch. Turn the hedge trimmer on as described above, allowing the tool to work at its own pace until the branch is fully cut.

Fig. L



MAINTENANCE

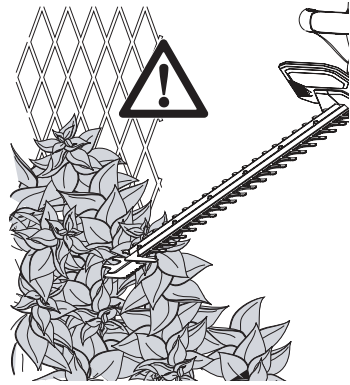
⚠ WARNING: To reduce the risk of serious personal injury, turn unit off and disconnect it from power source before making any adjustments or removing/installing attachments or accessories. An accidental start-up can cause injury.

Blade Maintenance (Fig. M)

The cutting blades are made from high quality, hardened steel and with normal usage, they will not require resharping. However, if you accidentally hit a wire fence (Fig. M), stones, glass, or other hard objects, you may put a nick in the blade. There is no need to remove this nick

as long as it does not interfere with the movement of the blade. If it does interfere, disconnect the power source and use a fine toothed file or sharpening stone to remove the nick. If you drop the trimmer, carefully inspect it for damage. If the blade is bent, housing cracked, handles broken or if you see any other condition that may affect the trimmer's operation contact your local authorized service center for repairs before putting it back into use.

Fig. M



Cleaning

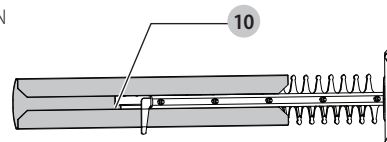
⚠ WARNING: Blow dirt and dust out of all air vents with clean, dry air at least once a week. To minimize the risk of eye injury, always wear ANSI Z87.1 approved eye protection when performing this procedure.

⚠ WARNING: Never use solvents or other harsh chemicals for cleaning the non-metallic parts of the tool. These chemicals may weaken the plastic materials used in these parts. Use a cloth dampened only with water and mild soap. Never let any liquid get inside the tool; never immerse any part of the tool into a liquid.

Blade Lubrication (Fig. N)

1. After use, disconnect the power source.
2. Carefully apply a resin solvent to the exposed blades.
3. Connect the power source and turn the trimmer vertical with the blades toward the ground and run the trimmer for a few seconds to fully disperse the lubrication.
4. Keeping your hands away from the blade, slide the sheath 10 over the blade until it snaps into place as shown in Figure N.

Fig. N



ENGLISH

Storage

Fertilizers and other garden chemicals contain agents which greatly accelerate the corrosion of metals. Do not store the unit on or adjacent to fertilizers or chemicals.

Accessories

WARNING: *Since accessories, other than those offered by CRAFTSMAN, have not been tested with this product, use of such accessories with this tool could be hazardous. To reduce the risk of injury, only CRAFTSMAN recommended accessories should be used with this product.*

Recommended accessories for use with your tool are available at extra cost from your local dealer or authorized service center. If you need assistance in locating any accessory, please contact CRAFTSMAN call 1-888-331-4569.

Versatrack™ (Fig. O)

WARNING: *To reduce the risk of serious personal injury, turn unit off and disconnect it from power source and before making any adjustments or removing/installing attachments or accessories. An accidental start-up can cause injury.*

WARNING: *To reduce the risk of serious personal injury, do not use a damaged Versatrack™ integral hang hook or Versatrack™ Trackwall. A damaged Versatrack™ integral hang hook or Versatrack™ Trackwall will not support the weight of the tool.*

WARNING: *To reduce the risk of serious personal injury, DO NOT suspend tool overhead or suspend objects from the integral hang hook. ONLY suspend tool on the Versatrack™ Trackwall using the integral hang hook.*

WARNING: *The Versatrack™ integral hang hook is intended to mount the tool onto a Versatrack™ Trackwall rail. Do not use the integral hang hook to mount the tool to any other surface.*

WARNING: *The Versatrack™ integral hang hook is not a belt hook.*

WARNING: *When hanging objects on a Versatrack™ Trackwall rail, adequately space the tools in order to not exceed 75 lb (35 kg) per linear foot.*

WARNING: *Before using the tool make sure that the Versatrack™ integral hang hook is returned to its original position.*

IMPORTANT: Versatrack™ accessories mount compatible tools securely to the Versatrack™ Trackwall system.

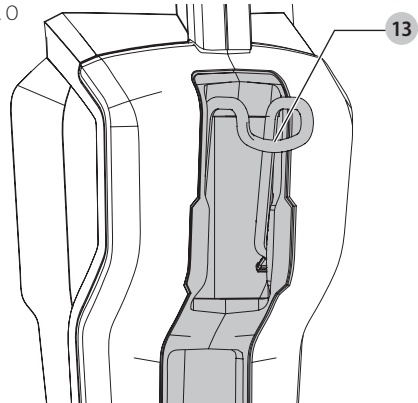
1. Turn tool off, disconnect it from power source and remove accessories.

CAUTION: *Any product with exposed cutting teeth must have them covered securely if it is to be on the Versatrack™ Trackwall.*

2. Flip or pull open the integral hang hook **13**. It clicks when locked into position.
3. Mount the integral hang hook to the Versatrack™ Trackwall.

NOTE: Versatrack™ accessories for use with your tool are available at extra cost from your local dealer or authorized service center. If you need assistance in locating any accessory, please contact CRAFTSMAN, call **1-888-331-4569**.

Fig. O



Repairs

WARNING: *To assure product SAFETY and RELIABILITY, repairs, maintenance and adjustment (including power cord repairs, and brush inspection and replacement, when applicable) should be performed by a CRAFTSMAN factory service center or a CRAFTSMAN authorized service center. Always use identical replacement parts.*

Register Online

Thank you for your purchase. Register your product now for:

- **WARRANTY SERVICE:** Registering your product will help you obtain more efficient warranty service in case there is a problem with your product.
- **CONFIRMATION OF OWNERSHIP:** In case of an insurance loss, such as fire, flood or theft, your registration of ownership will serve as your proof of purchase.

- **FOR YOUR SAFETY:** Registering your product will allow us to contact you in the unlikely event a safety notification is required under the Federal Consumer Safety Act.
- Register online at www.craftsman.com/registration

Three Year Limited Warranty

CRAFTSMAN will repair or replace, without charge, any defects due to faulty materials or workmanship for three years from the date of purchase. This warranty does not cover part failure due to normal wear or tool abuse. For further detail of warranty coverage and warranty repair information, visit www.craftsman.com or call **1-888-331-4569**. This warranty does not apply to accessories or damage caused where repairs have been made or attempted by others. THIS LIMITED WARRANTY IS GIVEN IN LIEU OF ALL OTHERS, INCLUDING THE IMPLIED WARRANTY OF MERCHANTABILITY AND FITNESS FOR A PARTICULAR PURPOSE, AND EXCLUDES ALL INCIDENTAL OR CONSEQUENTIAL DAMAGES. Some states do not allow limitations on how long an implied warranty lasts or the exclusion or limitation of incidental or consequential

damages, so these limitations may not apply to you. This warranty gives you specific legal rights and you may have other rights which vary in certain states or provinces.

90 DAY MONEY BACK GUARANTEE

If you are not completely satisfied with the performance of your CRAFTSMAN Power Tool or Nailer for any reason, you can return it within 90 days from the date of purchase with a receipt for a full refund – no questions asked.

LATIN AMERICA: This warranty does not apply to products sold in Latin America. For products sold in Latin America, see country specific warranty information contained in the packaging, call the local company or see website for warranty information.

FREE WARNING LABEL REPLACEMENT: If your warning labels become illegible or are missing, call **1-888-331-4569** for a free replacement.

TROUBLESHOOTING GUIDE

BE SURE TO FOLLOW SAFETY RULES AND INSTRUCTIONS

For assistance with your product, visit our website at www.craftsman.com for a list of service centers, or call CRAFTSMAN at 1-888-331-4569.

PROBLEM	CAUSE	CORRECTION
Slow running, noisy or hot blades.	Dry, corroded blades.	Lubricate blades.
	Blades or blade support bent.	Straighten blade or blade support.
	Bent or damaged teeth.	Straighten teeth.
Unit will not start.	Loose blade bolts.	Tighten blade bolts.
	Lock off not fully operated	Check that lock off is fully pulled back prior to moving main trigger.
	Cord not plugged in.	Plug tool into a working outlet.
	Circuit fuse is blown.	Replace circuit fuse. (If the product repeatedly causes the circuit fuse to blow, discontinue use immediately and have it serviced at an authorized service center.)
	Circuit breaker is tripped.	Reset circuit breaker. (If the product repeatedly causes the circuit fuse to blow, discontinue use immediately and have it serviced at an authorized service center.)
Cord or switch is damaged.	Have cord or switch replaced at an authorized service center.	

Définitions : symboles et termes d'alarmes sécurité

Ces guides d'utilisation utilisent les symboles et termes d'alarmes sécurité suivants pour vous prévenir de situations dangereuses et de risques de dommages corporels ou matériels.

⚠ DANGER : indique une situation dangereuse imminente qui, si elle n'est pas évitée, **entraînera la mort ou des blessures graves.**

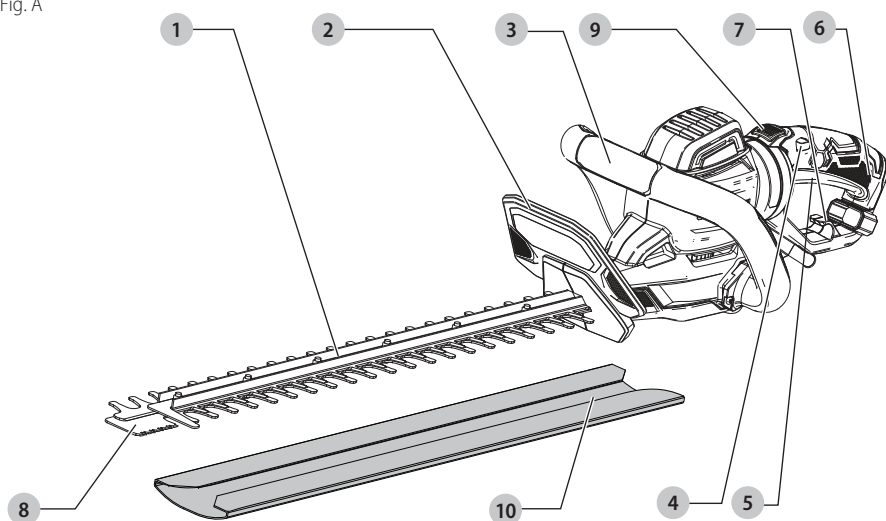
⚠ AVERTISSEMENT : indique une situation potentiellement dangereuse qui, si elle n'est pas évitée, **pourrait entraîner la mort ou des blessures graves.**

⚠ ATTENTION : indique une situation potentiellement dangereuse qui, si elle n'est pas évitée, **pourrait entraîner des blessures légères ou modérées.**

⚠ (Si utilisé sans aucun terme) Indique un message propre à la sécurité.

AVIS : indique une pratique ne posant **aucun risque de dommages corporels** mais qui par contre, si rien n'est fait pour l'éviter, **pourrait poser des risques de dommages matériels.**

Fig. A



- 1 Lame
- 2 Pare-main
- 3 Anse
- 4 Bouton de verrouillage
- 5 Détonateur
- 6 Poignée de la détonateur
- 7 Dispositif de retenue du cordon
- 8 Scie Mécanique
- 9 Bouton de rotation
- 10 Gaine

⚠ AVERTISSEMENT : lire tous les avertissements de sécurité et toutes les directives. Le non-respect des avertissements et des directives pourrait se solder par un choc électrique, un incendie et/ou une blessure grave.

⚠ AVERTISSEMENT : afin de réduire le risque de blessures, lire le mode d'emploi de l'outil.

Pour toute question ou remarque au sujet de cet outil ou de tout autre outil CRAFTSMAN composez le numéro sans frais : 1-888-331-4569.

Taille-haie à poignée pivotante 610mm (24 po) CMEHTS824

AVERTISSEMENTS GÉNÉRAUX SUR LA SÉCURITÉ DES OUTILS

! **AVERTISSEMENT :** lisez tous les avertissements de sécurité, toutes les instructions, les illustrations et les caractéristiques fournis avec cet outil électrique. Ne pas suivre toutes les instructions comprises aux présentes peut conduire à un choc électrique, un incendie et/ou des blessures graves.

CONSERVER TOUS LES AVERTISSEMENTS ET TOUTES LES DIRECTIVES POUR UN USAGE ULTÉRIEUR

Le terme « outil électrique » cité dans les avertissements se rapporte à votre outil électrique à alimentation sur secteur (avec fil) ou par piles (sans fil).

1) Sécurité du lieu de travail

- Tenir l'aire de travail propre et bien éclairée.** Les lieux encombrés ou sombres sont propices aux accidents.
- Ne pas faire fonctionner d'outils électriques dans un milieu déflagrant, tel qu'en présence de liquides, de gaz ou de poussières inflammables.** Les outils électriques produisent des étincelles qui pourraient enflammer la poussière ou les vapeurs.
- Éloigner les enfants et les personnes à proximité pendant l'utilisation d'un outil électrique.** Une distraction pourrait en faire perdre la maîtrise à l'utilisateur.

2) Sécurité en matière d'électricité

- Les fiches des outils électriques doivent correspondre à la prise. Ne jamais modifier la fiche d'aucune façon. Ne jamais utiliser de fiche d'adaptation avec un outil électrique mis à la terre.** Le risque de choc électrique sera réduit par l'utilisation de fiches non modifiées correspondant à la prise.
- Éviter tout contact physique avec des surfaces mises à la terre comme des tuyaux, des radiateurs, des cuisinières et des réfrigérateurs.** Le risque de choc électrique est plus élevé si votre corps est mis à la terre.
- Ne pas exposer les outils électriques à la pluie ou à l'humidité.** La pénétration de l'eau dans un outil électrique augmente le risque de choc électrique.
- Ne pas utiliser le cordon de façon abusive. Ne jamais utiliser le cordon pour transporter, tirer ou débrancher un outil électrique. Tenir le cordon éloigné de la chaleur, de l'huile, des bords tranchants et des pièces mobiles.** Les cordons endommagés ou enchevêtrés augmentent les risques de choc électrique.

- Pour l'utilisation d'un outil électrique à l'extérieur, se servir d'une rallonge convenant à cette application.** L'utilisation d'une rallonge conçue pour l'extérieur réduit les risques de choc électrique.
- S'il est impossible d'éviter l'utilisation d'un outil électrique dans un endroit humide, brancher l'outil dans une prise ou sur un circuit d'alimentation dotés d'un disjoncteur de fuite à la terre (GFCI).** L'utilisation de ce type de disjoncteur réduit les risques de choc électrique.

3) Sécurité personnelle

- Être vigilant, surveiller le travail effectué et faire preuve de jugement lorsqu'un outil électrique est utilisé. Ne pas utiliser d'outil électrique en cas de fatigue ou sous l'influence de drogues, d'alcool ou de médicaments.** Un simple moment d'inattention en utilisant un outil électrique peut entraîner des blessures corporelles graves.
- Utiliser des équipements de protection individuelle. Toujours porter une protection oculaire.** L'utilisation d'équipements de protection comme un masque antipoussière, des chaussures antidérapantes, un casque de sécurité ou des protecteurs auditifs lorsque la situation le requiert réduira les risques de blessures corporelles.
- Empêcher les démarrages intempestifs. S'assurer que l'interrupteur se trouve à la position d'arrêt avant de relier l'outil à une source d'alimentation et/ou d'insérer un bloc-piles, de ramasser ou de transporter l'outil.** Transporter un outil électrique alors que le doigt repose sur l'interrupteur ou brancher un outil électrique dont l'interrupteur est à la position de marche risque de provoquer un accident.
- Retirer toute clé de réglage ou clé avant de démonter l'outil.** Une clé ou une clé de réglage attachée à une partie pivotante de l'outil électrique peut provoquer des blessures corporelles.
- Ne pas trop tendre les bras. Conserver son équilibre en tout temps.** Cela permet de mieux maîtriser l'outil électrique dans les situations imprévues.
- S'habiller de manière appropriée. Ne pas porter de vêtements amples ni de bijoux. Garder les cheveux, les vêtements et les gants à l'écart des pièces mobiles.** Les vêtements amples, les bijoux ou les cheveux longs risquent de rester coincés dans les pièces mobiles.
- Si des composants sont fournis pour le raccordement de dispositifs de dépolissage et de ramassage, s'assurer que ceux-ci sont bien raccordés et utilisés.** L'utilisation d'un dispositif de dépolissage peut réduire les dangers engendrés par les poussières.
- Ne pas laisser votre connaissance acquise suite l'utilisation fréquente des outils vous permettre**

de baisser la garde et ignorer les principes de sécurité de l'outil. Un acte irréfléchi peut causer une blessure grave en une fraction de seconde.

4) Utilisation et entretien d'un outil électrique

- a) **Ne pas forcer un outil électrique. Utiliser l'outil électrique approprié à l'application.** L'outil électrique approprié effectuera un meilleur travail, de façon plus sûre et à la vitesse pour laquelle il a été conçu.
- b) **Ne pas utiliser un outil électrique dont l'interrupteur est défectueux.** Tout outil électrique dont l'interrupteur est défectueux est dangereux et doit être réparé.
- c) **Débranchez la fiche de la prise électrique et, si amovible, retirez le bloc-piles de l'outil avant d'effectuer tout ajustement, changement et entreposage de celui-ci.** Ces mesures préventives réduisent les risques de démarrage accidentel de l'outil électrique.
- d) **Ranger les outils électriques hors de la portée des enfants et ne permettre à aucune personne n'étant pas familière avec un outil électrique ou son mode d'emploi d'utiliser cet outil.** Les outils électriques deviennent dangereux entre les mains d'utilisateurs inexpérimentés.
- e) **Gardez les poignées et surfaces d'emprise propres et libres de tout produit lubrifiant. Vérifier si les pièces mobiles sont mal alignées ou coincées, si des pièces sont brisées ou présentent toute autre condition susceptible de nuire au bon fonctionnement de l'outil électrique. En cas de dommage, faire réparer l'outil électrique avant toute nouvelle utilisation.** Beaucoup d'accidents sont causés par des outils électriques mal entretenus.
- f) **S'assurer que les outils de coupe sont aiguisés et propres.** Les outils de coupe bien entretenus et affûtés sont moins susceptibles de se coincer et sont plus faciles à maîtriser.
- g) **Utiliser l'outil électrique, les accessoires, les forêts, etc. conformément aux présentes directives en tenant compte des conditions de travail et du travail à effectuer.** L'utilisation d'un outil électrique pour toute opération autre que celle pour laquelle il a été conçu est dangereuse.
- h) **Garder vos mains et les surfaces de prise sèches, propres et libres de graisse et de poussière.** Les mains et les surfaces de prise glissantes ne permettent pas la manutention et le contrôle sécuritaires de l'outil dans les situations imprévues.

5) Réparation

- a) **Faire réparer l'outil électrique par un réparateur professionnel en n'utilisant que des pièces de rechange identiques.** Cela permettra de maintenir une utilisation sécuritaire de l'outil électriques.

Avertissements de sécurité concernant le taille-haie

- **Utilisez les deux mains lorsque vous faites fonctionner le taille-haie.** Utiliser une main pourrait causer une perte de contrôle et entraîner une blessure corporelle grave.
- **Gardez toutes les parties de votre corps loin de la lame de coupe. Ne pas retirer la matière coupée ou la matière maintenue à être coupée lorsque les lames sont en mouvement. Assurez-vous que la gâchette est fermée lorsque vous enlevez la matière coincée. Les lames glissent une fois l'outil éteint.** Un moment d'inattention pendant l'utilisation du taille-haie peut entraîner une blessure corporelle grave.
- **Transportez le taille-haie par la poignée de la détente avec la lame de coupe arrêtée.** Une manutention appropriée du taille-haie réduira une possible blessure corporelle due aux lames de coupe.
- **Tenez l'outil électrique seulement les surfaces de prise isolées puisque la lame de coupe peut entrer en contact avec les câbles cachés.** Les lames de coupe entrant un contact avec un câble « sous tension » peuvent exposer les pièces métalliques de l'outil électrique « sous tension » et pourraient donner un choc électrique à l'utilisateur.
- **Gardez la rallonge éloignée de la zone de coupe.** Durant l'utilisation, la rallonge peut être cachée dans les arbustes et elle peut être accidentellement coupée par la lame.
- **Gardez le cordon loin de la zone de coupe.** Durant l'utilisation, le cordon loin peut être cachée dans les arbustes et elle peut être accidentellement coupée par la lame.
- **Vérifiez la haie pour tout objet étranger, par ex., les clôtures en grillage.**

⚠ DANGER : *gardez vos mains hors de portée de la lame. Tout contact avec la lame entraînera une blessure corporelle grave.*

⚠ AVERTISSEMENT : *porter une protection oculaire.*

⚠ AVERTISSEMENT : *ne pas exposer à la pluie.*

⚠ AVERTISSEMENT : *utilisez seulement avec la anse auxiliaire et le pare-main assemblé au taille-haie. L'utilisation du taille-haie sans le protecteur ou la poignée approprié fourni peut entraîner une blessure corporelle grave.*

⚠ AVERTISSEMENT : *retirer immédiatement la fiche de la prise si la rallonge électrique est endommagée ou coupée.*

Consigne de sécurité supplémentaire

⚠ AVERTISSEMENT : ne jamais modifier l'outil électrique ni aucun de ses composants, car il y a des risques de dommages corporels ou matériels.

⚠ AVERTISSEMENT : porter **SYSTEMATIQUEMENT** des lunettes de protection. Les lunettes courantes NE sont PAS des lunettes de protection. Utiliser aussi un masque antipoussières si l'opération est poussiéreuse. **PORTER SYSTEMATIQUEMENT UN ÉQUIPEMENT DE SÉCURITÉ HOMOLOGUÉ :**

- Protection oculaire ANSI Z87.1 (CAN/CSA Z94.3) ;
- Protection auditive ANSI S12.6 (S3.19) ;
- Protection des voies respiratoires NIOSH/ OSHA/ MSHA.

⚠ AVERTISSEMENT : certaines poussières contiennent des produits chimiques reconnus dans l'État de la Californie pour causer le cancer et des anomalies congénitales ou autres effets nuisibles sur la reproduction. Certains exemples de ces produits chimiques sont :

- des composants de fertilisants,
- des composants d'insecticides, d'herbicides et de pesticides,
- l'arsenic et le chrome provenant du bois de construction traité chimiquement.

Pour réduire votre exposition à ces produits chimiques, portez un équipement de sécurité approuvé, comme un masque antipoussière spécialement conçu pour filtrer les particules microscopiques.

⚠ AVERTISSEMENT : cet outil peut produire et/ou répandre de la poussière susceptible de causer des dommages sérieux et permanents au système respiratoire. Utiliser systématiquement un appareil de protection des voies respiratoires homologué par le NIOSH ou l'OSHA. Diriger les particules dans le sens opposé au visage et au corps..

⚠ AVERTISSEMENT : pendant l'utilisation, porter systématiquement une protection auditive individuelle adéquate homologuée ANSI S12.6 (S3.19). Sous certaines conditions et suivant la durée d'utilisation, le bruit émanant de ce produit pourrait contribuer à une perte de l'acuité auditive.

⚠ ATTENTION : après utilisation, ranger l'outil sur son côté, sur une surface stable, là où il ne pourra ni faire trébucher ni faire chuter quelqu'un. Certains outils peuvent tenir à la verticale, mais manquent alors de stabilité.

- **Prendre des précautions à proximité des événements, car ils cachent des pièces mobiles.** Vêtements amples, bijoux ou cheveux longs risquent de rester coincés dans ces pièces mobiles.
- **Pour la sécurité de l'utilisateur, utiliser une rallonge de calibre adéquat (AWG, American Wire Gauge [calibrage américain normalisé des fils électriques]).** Plus le calibre est petit, et plus sa capacité est grande. Un calibre 16, par exemple, a une capacité supérieure à un calibre 18. L'usage d'une rallonge de calibre insuffisant causera une chute de tension qui entraînera perte de puissance et surchauffe. Si plus d'une rallonge est utilisée pour obtenir une certaine longueur, s'assurer que chaque rallonge présente au moins le calibre de fil minimum. Le tableau ci-dessous illustre les calibres à utiliser selon la longueur de rallonge et l'intensité nominale indiquée sur la plaque signalétique. En cas de doute, utiliser le calibre suivant. Plus le calibre est petit, plus la rallonge peut supporter de courant.

Calibre minimum pour les cordons d'alimentation

Volts	Longueur totale du cordon d'alimentation en mètre (pieds)				
	120 V	7,6 (25)	15,2 (50)	30,5 (100)	45,7 (150)
240 V	15,2 (50)	30,5 (100)	61,0 (200)	91,4 (300)	
Ampères		AWG			
Plus que	Pas plus que				
0	6	18	16	16	14
6	10	18	16	14	12
10	12	16	16	14	12
12	16	14	12	Non recommandé	

L'étiquette apposée sur votre outil peut inclure les symboles suivants. Les symboles et leur définition sont indiqués ci-après :

V	volts	W	watts
Hz	hertz	~ ou AC	courant alternatif
min	minutes	⎓ ou AC/DC	courant alternatif ou continu
— — — ou DC	courant continu	□	fabrication classe II (double isolation)
Ⓢ	fabrication classe I (mis à la terre)	n ₀	vitesse à vide
... /min	par minute	n	vitesse nominale
BPM	battements par minute	⊕	borne de terre
IPM	impacts par minute	⚠	symbole d'avertissement
RPM	révolutions par minute	☀	radiation visible
sfpm (plpm)	pieds linéaires par minute	☎	protection respiratoire
SPM (FPM)	fréquence par minute	👁	protection oculaire
OPM	oscillations por minuto	👂	protection auditive
A	ampères	📖	lire toute la documentation
IPXX	symbole IP		

Moteur

S'assurer que le bloc d'alimentation est compatible avec l'inscription de la plaque signalétique. Une diminution de tension de plus de 10 % provoquera une perte de puissance et une surchauffe. Ces outils sont testés en usine ; si cet outil ne fonctionne pas, vérifier l'alimentation électrique.

Usage Prévu

Ce taille-haie est conçu pour un usage résidentiel.

NE PAS les utiliser en milieu ambiant humide ou en présence de liquides ou de gaz inflammables.

NE PAS le laisser à la portée des enfants. Une supervision est nécessaire auprès de tout utilisateur non expérimenté.

ASSEMBLAGE ET AJUSTEMENTS

⚠ AVERTISSEMENT : afin de réduire le risque de blessure corporelle, éteignez l'appareil et débranchez-le la source d'alimentation avant d'effectuer tout ajustement ou de retirer/installer des pièces ou des accessoires. Un déclenchement accidentel du démarrage peut causer des blessures.

Outils pour assemblage requis

- Tournevis cruciforme

Fixer le pare-main et l'anse au taille-haie (Fig. B, C)

⚠ AVERTISSEMENT : utiliser le taille-haie uniquement si le pare-main et l'anse sont bien montés sur l'outil. Utiliser le taille-haie sans le pare-main et l'anse fournis risque de causer de graves blessures corporelles.

Le taille-haie est expédié avec le protecteur et l'anse fixés au taille-haie avec une attache mono-usage en plastique.

Fixer le protecteur au taille-haie (Fig. B)

Le taille-haie est expédié avec le protecteur non fixé au taille-haie. Pour fixer le protecteur :

1. Retirez la vis **11** retenant le protecteur avec un tournevis cruciforme (non fourni).
2. Glissez le protecteur **2** entièrement à l'avant du boîtier du taille-haie.
3. Insérez la vis **11** retenant le protecteur dans l'ouverture sur le côté du protecteur et serrez solidement.

Fixer l'anse (Fig. C)

1. Coupez l'attache mono-usage en plastique.
2. Retirez les 4 vis **12** qui sont partiellement dans le boîtier du taille-haie (Fig. C).
3. Glissez l'anse **3** sur le devant du boîtier du taille-haie derrière le protecteur.
4. Insérez les quatre vis dans les ouvertures sur le côté de l'anse et serrez solidement comme illustré dans la Fig. C.

Fig. B

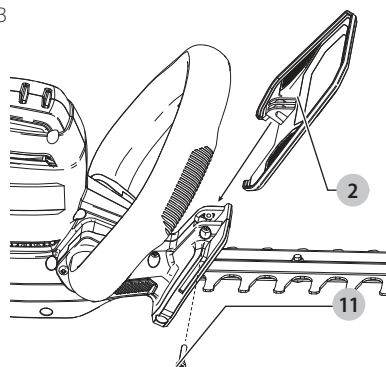
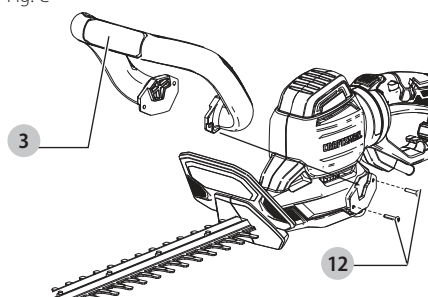


Fig. C

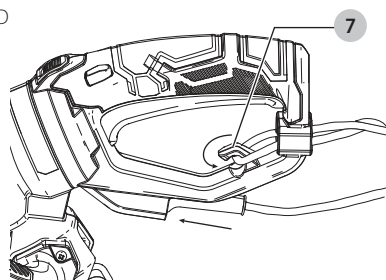


Raccordement de la rallonge au taille-haie (Fig. A, D)

Un dispositif de retenue est intégré dans la poignée de la gâchette pour empêcher le débranchement de l'outil.

1. Superposer d'abord la queue de cochon et la rallonge et les nouer ensemble comme indiqué à la Figure D.
2. Ensuite, faire une boucle avec une section de la rallonge, à plusieurs centimètres de l'extrémité, et l'insérer par-dessus la tige logée dans l'ouverture, au dos de la poignée **7**, comme indiqué à la Figure D.
3. Tirer doucement sur le cordon pour s'assurer qu'il est bien retenu dans la poignée du taille-haie.

Fig. D



Pour mettre l'outil en marche (Fig. E)

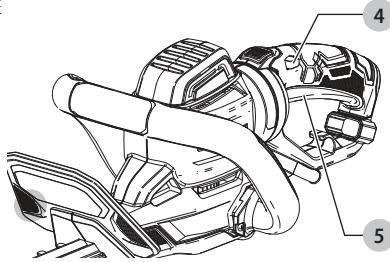
⚠ AVERTISSEMENT : ne jamais tenter de verrouiller un interrupteur en position de MARCHÉ.

⚠ ATTENTION : ne pas se servir du taille-haie pour couper des tiges de plus de 19 mm (3/4 po) d'épaisseur. Utiliser le taille-haie seulement pour tailler les buissons qu'on retrouve habituellement autour d'une maison ou d'un édifice. **REMARQUE :** la scie à chaîne peut couper des tiges et des branches de 38,1 mm (1,5 po).

Pour mettre l'outil en MARCHÉ, appuyez sur le bouton de verrouillage 4, puis appuyez sur la gâchette 5. Une fois que l'outil est en fonction, vous pouvez relâcher le bouton de verrouillage.

Pour ÉTEINDRE l'outil, relâchez la gâchette.

Fig. E



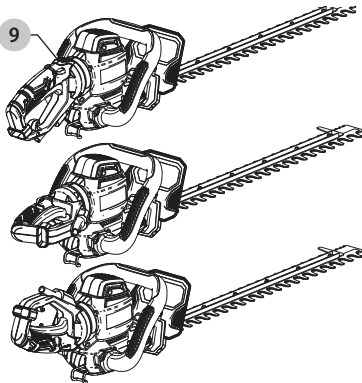
Rotation de la poignée arrière (Fig. F)

La poignée arrière peut tourner à 180°. L'outil est pourvu de butées facultatives à 0°, 45° et 90°, ce qui convient parfaitement pour les coupes latérales et les arbustes de forme ronde ou irrégulière.

Pour tourner la poignée arrière, il suffit d'appuyer sur le bouton de rotation 9, puis de tourner dans le sens souhaité comme indiqué à la Figure F.

La Figure F illustre la poignée arrière aux positions suivantes : angle de 90° à gauche, angle de 0° et angle de 90° à droite.

Fig. F



FONCTIONNEMENT

⚠ AVERTISSEMENT : afin de réduire le risque de blessure corporelle, éteignez l'appareil et débranchez-le la source d'alimentation avant d'effectuer tout ajustement ou de retirer/installer des pièces ou

des accessoires. Un déclenchement accidentel du démarrage peut causer des blessures.

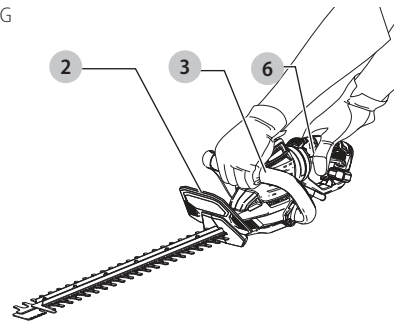
Position correcte des mains (Fig. G)

⚠ AVERTISSEMENT : pour réduire tout risque de dommages corporels graves, adopter **SYSTÉMATIQUEMENT** la position des mains illustrée.

⚠ AVERTISSEMENT : pour réduire tout risque de dommages corporels graves, maintenir **SYSTÉMATIQUEMENT** l'outil fermement pour anticiper toute réaction soudaine.

Une position des mains appropriée nécessite une main sur la poignée à gâchette 6 et une main sur l'anse 3. Ne jamais saisir l'outil par son dispositif de protection 2.

Fig. G



Directives de taillage (Fig. H–L)

⚠ DANGER : tenir les mains loin de la lame et la Scie Mécanique.

⚠ AVERTISSEMENT : pour éviter toute blessure, observer les énoncés suivants :

- Lire le guide avant l'utilisation; conserver le guide d'utilisation.
- Vérifier la haie pour la présence de tout objet étranger comme du fil de fer ou des clôtures avant chaque utilisation.
- Laisser les mains sur les poignées. Ne pas dépasser sa portée.
- Ne pas utiliser dans des conditions mouillées.

⚠ ATTENTION : la lame continue de bouger après avoir mis l'outil hors tension.

Rallonge (Fig. H)

Toujours placer la rallonge derrière soi en l'éloignant de la zone de coupe. Ne jamais la déposer sur la haie à tailler. Si on coupe ou on endommage la rallonge, on doit la

FRANÇAIS

débrancher immédiatement de la prise murale avant de procéder à l'inspection ou aux réparations requises.

Position de travail (Fig. H)

Garder le pied sûr, avoir un bon équilibre et ne pas trop tendre les bras. Porter des lunettes de sécurité et des chaussures antidérapantes pour tailler. Tenir fermement l'outil entre les deux mains, puis l'allumer. Consultez Position correcte des mains pour de plus amples renseignements. Une appropriation des mains appropriée, comme illustré dans la Fig. H, nécessite une main sur la poignée à gâchette et une main sur l'anse. Ne jamais saisir l'outil par son dispositif de protection.

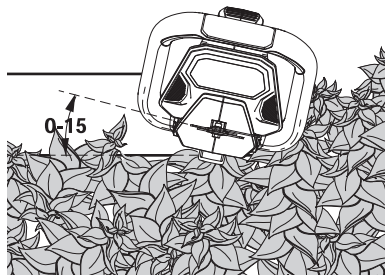
Fig. H



Tailler les nouvelles pousses (Fig. I)

Utiliser un mouvement large de balayage et faire passer les dents de la lame à travers les arbustes est plus efficace. Un léger angle d'inclinaison vers le bas de la lame, dans le sens du mouvement donne la meilleure taille.

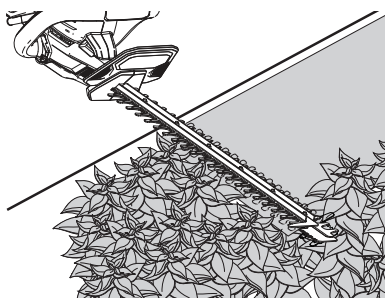
Fig. I



Nivelage des haies (Fig. J)

Pour bien niveler les haies, on peut étirer une ficelle le long de la haie comme guide.

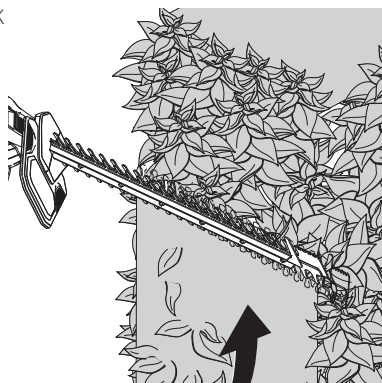
Fig. J



Coupe latérale des haies (Fig. K)

Saisir l'outil de la manière illustrée et commencer à tailler dans le bas en remontant vers le haut.

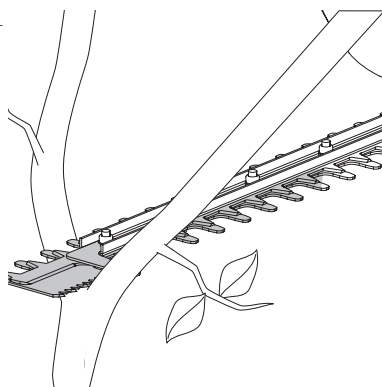
Fig. K



Scie mécanique (Fig. L)

Pour couper des branches trop grosses pour la lame ❶, utilisez la Scie Mécanique ❷. Positionnez la Scie Mécanique au plus près possible de la base de la branche. Placez le patin de la Scie Mécanique contre la branche. Démarrez le taille-bordure comme décrit ci-dessus, en laissant l'outil tourner à son propre rythme jusqu'à ce que la branche soit complètement coupée.

Fig. L



MAINTENANCE

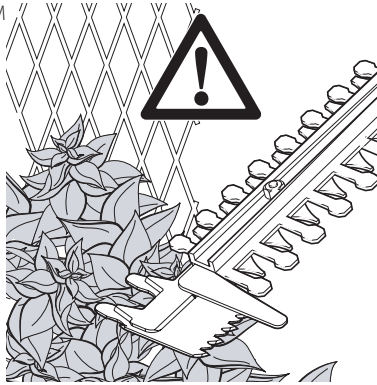
⚠ AVERTISSEMENT : afin de réduire le risque de blessure corporelle, éteignez l'appareil et débranchez-le la source d'alimentation avant d'effectuer tout ajustement ou de retirer/installer des pièces ou des accessoires. Un déclenchement accidentel du démarrage peut causer des blessures.

Entretien de la lame (Fig. M)

Les lames de coupe sont fabriquées en acier trempé de qualité supérieure et en conditions d'usage normal, elles ne nécessiteront pas de réaffûtage. Cependant, si vous heurtez accidentellement une clôture en grillage (Fig. M),

des pierres, de la vitre ou d'autres objets durs, vous pouvez mettre un cran d'arrêt dans la lame. Il n'est pas nécessaire de retirer ce cran d'arrêt tant que celui-ci ne nuit pas au mouvement de la lame. Si cela se produit, débranchez-le la source d'alimentation et utilisez une lime dentée fine ou une pierre à aiguiser pour retirer le cran d'arrêt. Si vous échappez le taille-haie, inspectez-le soigneusement pour tout dommage. Si la lame est pliée, le boîtier fissuré, les poignées brisées ou si vous voyez toute autre condition qui peut affecter le fonctionnement du taille-haie, contactez votre centre de services autorisé local pour le réparer avant de le réutiliser.

Fig.M



Nettoyage

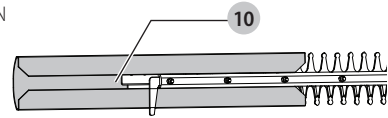
AVERTISSEMENT : *enlever les saletés et la poussière hors des événements au moyen d'air comprimé propre et sec, au moins une fois par semaine. Pour minimiser le risque de blessure aux yeux, toujours porter une protection oculaire conforme à la norme ANSI Z87.1 lors du nettoyage.*

AVERTISSEMENT : *ne jamais utiliser de solvants ni d'autres produits chimiques puissants pour nettoyer les pièces non métalliques de l'outil. Ces produits chimiques peuvent affaiblir les matériaux de plastique utilisés dans ces pièces. Utiliser un chiffon humecté uniquement d'eau et de savon doux. Ne jamais laisser de liquide pénétrer dans l'outil et n'immerger aucune partie de l'outil dans un liquide.*

Graissage de la lame (Fig. N)

1. Débrancher le cordon après l'utilisation.disconnect the power source.
2. Appliquez une fine couche de lubrification de la lame exposée.
3. et mettre le taille-haie à la verticale, les lames vers le sol, et le laisser tourner quelques secondes pour répandre pleinement le lubrifiant.
4. En maintenant les mains éloignées de la lame, pousser la gaine **10** sur la lame jusqu'à ce qu'elle s'enclenche en place, comme illustré en Figure N.

Fig. N



Entreposage

Les fertilisants et d'autres produits chimiques pour le jardin contiennent des agents qui accélèrent grandement la corrosion des métaux. Ne pas entreposer l'outil sur ou près de fertilisants ou de produits chimiques.

Accessoires

AVERTISSEMENT : *puisque les accessoires autres que ceux offerts par CRAFTSMAN n'ont pas été testés avec ce produit, leur utilisation pourrait s'avérer dangereuse. Pour réduire le risque de blessures, utiliser exclusivement les accessoires CRAFTSMAN recommandés avec le présent produit.*

Les accessoires recommandés pour cet outil sont vendus séparément au centre de service de votre région. Pour obtenir de l'aide concernant l'achat d'un accessoire, communiquer avec CRAFTSMAN, composer le 1-888-331-4569.

Versatrack™ (Fig. O)

AVERTISSEMENT : *afin de réduire le risque de blessure corporelle, éteignez l'appareil et débranchez-le la source d'alimentation et avant d'effectuer tout ajustement ou de retirer/installer des pièces ou des accessoires. Un déclenchement accidentel du démarrage peut causer des blessures.*

AVERTISSEMENT : *afin de réduire le risque de blessures graves, ne pas utiliser un crochet de suspension Versatrack^{MD} ou rail mural Versatrack^{MD} endommagé. Un crochet de suspension Versatrack^{MD} ou un rail Versatrack^{MD} endommagé ne supportera pas le poids de l'outil.^{MD}*

AVERTISSEMENT : *afin de réduire le risque de blessures graves, NE PAS suspendre l'outil au-dessus du niveau de la tête ou suspendre d'autres objets à partir du crochet de suspension. Suspendez SEULEMENT l'outil sur le rail mural Versatrack^{MD} à l'aide du crochet de suspension Versatrack^{MD}.*

AVERTISSEMENT : *le crochet de suspension intégré Versatrack™ est conçu pour*

FRANÇAIS

installer l'outil sur le rail mural Versatrack^{MD}. Ne pas utiliser le crochet de suspension intégré pour installer l'outil sur toute autre surface.

AVERTISSEMENT : le crochet de suspension intégré Versatrack^{MD} n'est pas un crochet pour courroie.

AVERTISSEMENT : lorsque vous suspendez des objets sur un rail mural Versatrack^{MD}, distancez adéquatement les outils de sorte à ne pas excéder 75 lb (35 kg) par pied linéaire.

AVERTISSEMENT : avant d'utiliser l'outil, assurez-vous que le crochet de suspension intégré Versatrack^{MD} est revenu à sa position originale

IMPORTANT : Les outils et accessoires compatibles Versatrack^{MD} se fixent de façon sécuritaire au système Versatrack^{MD} Trackwall.

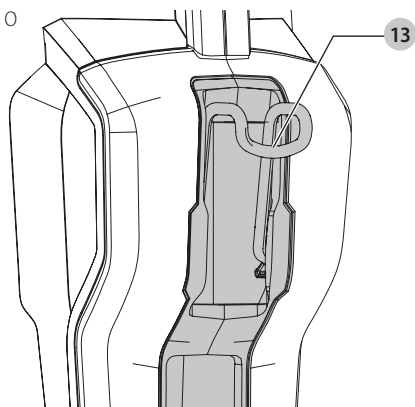
1. Éteignez l'outil et débranchez-le de l'alimentation et retirez les accessoires.

ATTENTION : tout produit avec dents coupantes exposées doit être couvert de façon sécuritaire s'il doit être mis sur le Versatrack^{MD} Trackwall.

2. Tournez ou ouvrez le crochet de suspension intégré 13. Il clique lorsqu'il est verrouillé en place.
3. Installez le crochet de suspension intégré sur le rail mural Versatrack^{MD}.

REMARQUE : les accessoires Versatrack^{MD} pour utilisation avec cet outil sont disponibles à un coût supplémentaire chez votre détaillant local ou dans un centre de services autorisé. Si vous avez besoin d'aide pour trouver un accessoire, veuillez contacter CRAFTSMAN, appelez au 1-888-331-4569.

Fig. O



Réparations

AVERTISSEMENT : pour assurer la SÉCURITÉ et la FIABILITÉ du produit, les réparations, l'entretien et les réglages doivent être réalisés (cela comprend l'inspection et le remplacement du balai, le cas échéant) par un centre de réparation en usine CRAFTSMAN ou un centre de réparation agréé CRAFTSMAN. Toujours utiliser des pièces de rechange identiques.

Registre en ligne

Merci pour votre achat. Enregistrez dès maintenant votre produit:

- **RÉPARATIONS SOUS GARANTIE:** cette carte remplie vous permettra de vous prévaloir du service de réparations sous garantie de façon plus efficace dans le cas d'un problème avec le produit.
- **CONFIRMATION DE PROPRIÉTÉ:** en cas de perte provoquée par un incendie, une inondation ou un vol, cette preuve de propriété vous servira de preuve auprès de votre compagnie d'assurances.
- **SÉCURITÉ:** l'enregistrement de votre produit nous permettra de communiquer avec vous dans l'éventualité peu probable de l'envoi d'un avis de sécurité régi par la loi fédérale américaine de la protection des consommateurs.
- Registre en ligne à www.craftsman.com/registration

Garantie limitée de trois ans

CRAFTSMAN réparera ou remplacera sans frais tout appareil défectueux pour cause de défaut de matériel ou de main-d'œuvre sur une période de trois ans à partir de la date d'achat de l'outil. Cette garantie ne couvre pas les pièces en panne pour cause d'abus ou d'usure normale de l'outil. Pour plus de détails au sujet de la couverture de la garantie et l'information de réparation sous garantie, visitez www.craftsman.com ou composez le 1-888-331-4569. Cette garantie ne s'applique pas aux accessoires ou dommages causés par des réparations effectuées ou tentées par d'autres. CETTE GARANTIE REMPLACE TOUTES LES AUTRES, INCLUANT LES GARANTIES IMPLICITES DE LA QUALITÉ MARCHANDE ET L'APTITUDE POUR UN BUT PARTICULIER, ET EXCLUT TOUTS LES DOMMAGES ACCIDENTELS OU CONSÉCUTIFS. Certaines provinces ne permettent pas de limitation sur la durée de la garantie implicite ou l'exclusion ou la limitation de dommages indirects, alors ces limitations peuvent ne pas s'appliquer à vous. Cette garantie vous donne des droits légaux particuliers et vous pouvez avoir d'autres droits qui varient selon les états ou les provinces.

GARANTIE DE REMBOURSEMENT DE 90 JOURS

Si l'acheteur n'est pas entièrement satisfait, pour quelque raison que ce soit, du rendement de l'outil électrique ou de la cloueuse CRAFTSMAN, celui-ci peut le retourner, accompagné d'un reçu, dans les 90 jours à compter de la date d'achat pour obtenir un remboursement intégral, sans aucun problème.

AMÉRIQUE LATINE : cette garantie ne s'applique aux produits vendus en Amérique latine. Pour ceux-ci, veuillez consulter les informations relatives à la garantie spécifique présente dans l'emballage, appeler l'entreprise locale ou consulter le site Web pour les informations relatives à cette garantie.

REPLACEMENT GRATUIT DES ÉTIQUETTES

D'AVERTISSEMENT : si les étiquettes d'avertissement deviennent illisibles ou sont manquantes, composer le **1-888-331-4569** pour en obtenir le remplacement gratuit.

GUIDE DE DÉPANNAGE**ASSUREZ-VOUS DE SUIVRE LES DIRECTIVES ET RÈGLES DE SÉCURITÉ**

Pour de l'aide avec l'outil, consulter notre site Web www.craftsman.com pour l'emplacement du centre de réparation le plus près ou communiquer avec l'assistance CRAFTSMAN au 1-888-331-4569.

PROBLÈME	CAUSE POSSIBLE	SOLUTION POSSIBLE
Lames lentes, bruyantes ou chaudes.	Lames sèches et corrodées.	Lubrifier les lames.
	Lames ou support de lame pliés.	Redresser la lame ou son support.
	Dents pliées ou endommagées.	Redresser les dents.
	Boulons de lame desserrés.	Serrer les boulons de lame.
L'appareil refuse de démarrer	Verrouillage imparfait.	S'assurer que le dispositif de verrouillage est reculé complètement avant de déplacer la détente principale.
	Cordon d'alimentation non branché.	Brancher l'outil dans une prise qui fonctionne.
	Le fusible du circuit est grillé.	Remplacer le fusible du circuit. (Si l'outil cause le déclenchement du disjoncteur d'alimentation de façon répétée, cesser son utilisation sur le champ et le faire réparer à un centre de service autorisé.)
	Le disjoncteur est déclenché	Remettre le disjoncteur à zéro. (Si l'outil cause le déclenchement du disjoncteur d'alimentation de façon répétée, cesser son utilisation sur le champ et le faire réparer à un centre de service autorisé.)
	Le cordon d'alimentation ou la prise de courant est endommagé(e).	Toujours faire remplacer le cordon ou le commutateur à un centre de service autorisé.

Definiciones: Símbolos y Palabras de Alerta de Seguridad

Este manual de instrucciones utiliza los siguientes símbolos y palabras de alerta de seguridad para alertarle de situaciones peligrosas y del riesgo de lesiones corporales o daños materiales.

⚠ PELIGRO: Indica una situación de peligro inminente que, si no se evita, provocará **la muerte o lesiones graves**.

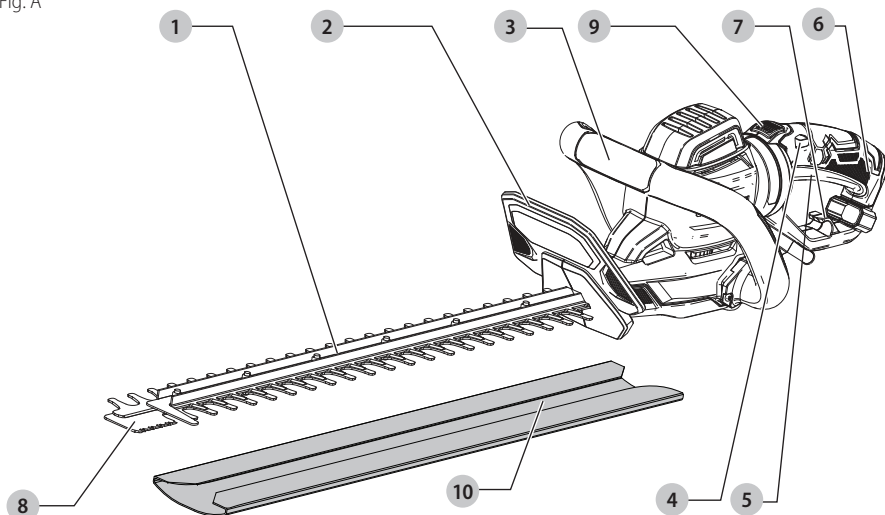
⚠ ADVERTENCIA: Indica una situación de peligro potencial que, si no se evita, **podría provocar la muerte o lesiones graves**.

⚠ ATENCIÓN: Indica una situación de peligro potencial que, si no se evita, **posiblemente provocaría lesiones leves o moderadas**.

⚠ (Utilizado sin palabras) indica un mensaje de seguridad relacionado.

AVISO: Se refiere a una práctica **no relacionada a lesiones corporales** que de no evitarse **puede resultar en daños a la propiedad**.

Fig. A



- 1 Hoja
- 2 Protector
- 3 Palanca del interruptor
- 4 Botón de bloqueo
- 5 Interruptor de gatillo
- 6 Mango interruptor
- 7 Dispositivo de retención del cable
- 8 Sierra Eléctrica
- 9 Botón de giro
- 10 Funda

⚠ ADVERTENCIA: Lea todas las advertencias de seguridad e instrucciones. El incumplimiento de las advertencias e instrucciones puede provocar descargas eléctricas, incendios o lesiones graves.

⚠ ADVERTENCIA: Para reducir el riesgo de lesiones, lea el manual de instrucciones.

Si tiene alguna duda o algún comentario sobre ésta u otra herramienta CRAFTSMAN llámenos al número gratuito: 1-888-331-4569.

Cortasetos de Manija Giratoria de 610mm (24") CMEHTS824

ADVERTENCIAS GENERALES DE SEGURIDAD PARA HERRAMIENTAS ELÉCTRICAS

⚠ ADVERTENCIA: *Lea todas las advertencias de seguridad, instrucciones, ilustraciones y especificaciones incluidas con esta herramienta eléctrica. La falla en seguir todas las instrucciones siguientes puede resultar en descarga eléctrica, incendio y/o lesiones serias.*

CONSERVE TODAS LAS ADVERTENCIAS E INSTRUCCIONES PARA FUTURAS CONSULTAS

El término "herramienta eléctrica" incluido en las advertencias hace referencia a las herramientas eléctricas operadas con corriente (con cable eléctrico) o a las herramientas eléctricas operadas con baterías (inalámbricas).

1) Seguridad en el Área de Trabajo

- Mantenga el área de trabajo limpia y bien iluminada.** Las áreas abarrotadas y oscuras propician accidentes.
- No opere las herramientas eléctricas en atmósferas explosivas, como ambientes donde haya polvo, gases o líquidos inflamables.** Las herramientas eléctricas originan chispas que pueden encender el polvo o los vapores.
- Mantenga alejados a los niños y a los espectadores de la herramienta eléctrica en funcionamiento.** Las distracciones pueden provocar la pérdida de control.

2) Seguridad Eléctrica

- Los enchufes de la herramienta eléctrica deben adaptarse al tomacorriente. Nunca modifique el enchufe de ninguna manera. No utilice ningún enchufe adaptador con herramientas eléctricas con conexión a tierra.** Los enchufes no modificados y que se adaptan a los tomacorrientes reducirán el riesgo de descarga eléctrica.
- Evite el contacto corporal con superficies con descargas a tierra como, por ejemplo, tuberías, radiadores, cocinas eléctricas y refrigeradores.** Existe mayor riesgo de descarga eléctrica si su cuerpo está puesto a tierra.
- No exponga las herramientas eléctricas a la lluvia o a condiciones de humedad.** Si entra agua a una herramienta eléctrica, aumentará el riesgo de descarga eléctrica.
- No maltrate el cable. Nunca utilice el cable para transportar, tirar o desencharar la herramienta eléctrica. Mantenga el cable alejado del calor, el aceite, los bordes filosos y las piezas móviles.** Los cables dañados o enredados aumentan el riesgo de descarga eléctrica.

- Al operar una herramienta eléctrica en el exterior, utilice un cable prolongador adecuado para tal uso.** Utilice un cable adecuado para uso en exteriores a fin de reducir el riesgo de descarga eléctrica.
- Si el uso de una herramienta eléctrica en un lugar húmedo es imposible de evitar, utilice un suministro protegido con un interruptor de circuito por falla a tierra (GFCI).** El uso de un GFCI reduce el riesgo de descargas eléctricas.

3) Seguridad Personal

- Permanezca alerta, controle lo que está haciendo y utilice el sentido común cuando emplee una herramienta eléctrica. No utilice una herramienta eléctrica si está cansado o bajo el efecto de drogas, alcohol o medicamentos.** Un momento de descuido mientras se opera una herramienta eléctrica puede provocar lesiones personales graves.
- Utilice equipos de protección personal. Siempre utilice protección para los ojos.** En las condiciones adecuadas, el uso de equipos de protección, como máscaras para polvo, calzado de seguridad antideslizante, cascos o protección auditiva, reducirá las lesiones personales.
- Evite el encendido por accidente. Asegúrese de que el interruptor esté en la posición de apagado antes de conectarlo a la fuente de energía o paquete de baterías, o antes de levantar o transportar la herramienta.** Transportar herramientas eléctricas con el dedo apoyado en el interruptor o enchufar herramientas eléctricas con el interruptor en la posición de encendido puede propiciar accidentes.
- Retire la clavija de ajuste o la llave de tuercas antes de encender la herramienta eléctrica.** Una llave de tuercas o una clavija de ajuste que quede conectada a una pieza giratoria de la herramienta eléctrica puede provocar lesiones personales.
- No se estire. Conserve el equilibrio y párese adecuadamente en todo momento.** Esto permite un mejor control de la herramienta eléctrica en situaciones inesperadas.
- Use la vestimenta adecuada. No use ropas holgadas ni joyas. Mantenga el cabello, la ropa y los guantes alejados de las piezas en movimiento.** Las ropas holgadas, las joyas o el cabello largo pueden quedar atrapados en las piezas en movimiento.
- Si se suministran dispositivos para la conexión de accesorios con fines de recolección y extracción de polvo, asegúrese de que estén conectados y que se utilicen correctamente.** El uso de dispositivos de recolección de polvo puede reducir los peligros relacionados con el polvo.

- h) **No permita que la familiaridad obtenida a partir del uso frecuente de herramientas le permitan volverse descuidado e ignorar los principios de seguridad de la herramienta.** Una acción descuidada puede causar lesiones severas en una fracción de segundo.

4) Uso y Mantenimiento de la Herramienta Eléctrica

- a) **No fuerce la herramienta eléctrica. Utilice la herramienta eléctrica correcta para el trabajo que realizará.** Si se la utiliza a la velocidad para la que fue diseñada, la herramienta eléctrica correcta permite trabajar mejor y de manera más segura.
- b) **No utilice la herramienta eléctrica si no puede encenderla o apagarla con el interruptor.** Toda herramienta eléctrica que no pueda ser controlada mediante el interruptor es peligrosa y debe repararse.
- c) **Desconecte el enchufe de la fuente de alimentación y/o retire la batería, o paquete si es desmontable, de la herramienta eléctrica antes de realizar cualquier ajuste, cambiar accesorios o almacenar herramientas eléctricas.** Estas medidas de seguridad preventivas reducen el riesgo de encender la herramienta eléctrica en forma accidental.
- d) **Guarde la herramienta eléctrica que no esté en uso fuera del alcance de los niños y no permita que otras personas no familiarizadas con ella o con estas instrucciones operen la herramienta.** Las herramientas eléctricas son peligrosas si son operadas por usuarios no capacitados.
- e) **Dé mantenimiento a las herramientas eléctricas y accesorios. Revise que no haya piezas en movimiento mal alineadas o trabadas, piezas rotas o cualquier otra situación que pueda afectar el funcionamiento de la herramienta eléctrica. Si encuentra daños, haga reparar la herramienta eléctrica antes de utilizarla.** Se producen muchos accidentes a causa de las herramientas eléctricas que carecen de un mantenimiento adecuado.
- f) **Mantenga las herramientas de corte afiladas y limpias.** Las herramientas de corte con mantenimiento adecuado y con los bordes de corte afilados son menos propensas a trabarse y son más fáciles de controlar.
- g) **Utilice la herramienta eléctrica, los accesorios y las brocas de la herramienta, etc. de acuerdo con estas instrucciones y teniendo en cuenta las condiciones de trabajo y el trabajo que debe realizarse.** El uso de la herramienta eléctrica para operaciones diferentes de aquéllas para las que fue diseñada podría originar una situación peligrosa.
- h) **Mantenga las manijas y superficies de sujeción secas, limpias y libres de aceite y grasa.** Las manijas y superficies de sujeción resbalosas no permiten el manejo y control seguros de la herramienta en situaciones inesperadas.

5) Mantenimiento

- a) **Solicite a una persona calificada en reparaciones que realice el mantenimiento de su herramienta eléctrica y que sólo utilice piezas de repuesto idénticas.** Esto garantizará la seguridad de la herramienta eléctrica.


Advertencias de Seguridad de Cortasetos

- **Use ambas manos cuando opere el cortasetos.** Usar una mano podría causar la pérdida de control y provocar lesiones personales graves.
- **Mantenga todas las partes del cuerpo alejadas de la cuchilla. No retire el material cortado ni sujete el material que se va a cortar cuando las cuchillas se estén moviendo. Asegúrese que el interruptor esté apagado cuando despeje el material atascado. Las cuchillas continúan girando después que se apaga.** Un momento de falta de atención mientras opera el cortasetos puede resultar en lesiones personales serias.
- **Lleve el cortasetos por el mango del interruptor con la cuchilla detenida.** El manejo adecuado del cortasetos reducirá las posibles lesiones personales a partir de las cuchillas.
- **Sostenga la herramienta eléctrica por las superficies de sujeción aisladas únicamente, debido a que la cuchilla del cortador puede hacer contacto con cableado oculto.** Las cuchillas de corte que hagan contacto con cable "vivo" pueden tener partes de metal expuestas de la herramienta eléctrica "viva" y podrían dar al operador una descarga eléctrica.
- **Aléjate del área de corte de cable.** Durante la operación el cable puede ser ocultado en arbustos y puede ser cortado accidentalmente por la hoja.
- **Aléjate del área de corte de cable de extensión.** Durante la operación el cable de extensión puede ser ocultado en arbustos y puede ser cortado accidentalmente por la hoja.
- **Verifique el seto respecto a objetos extraños, por ejemplo, vallas de alambre.**

 **PELIGRO:** Mantenga las manos lejos de la cuchilla. El contacto con la cuchilla resultará en lesiones serias.

 **ADVERTENCIA:** Use protección para los ojos.

 **ADVERTENCIA:** No lo exponga a la lluvia.

 **ADVERTENCIA:** Utilice solamente con el mango de suspensión y la protección ensamblados apropiadamente en la podadora. El uso de la podadora sin la protección o la manija apropiados proporcionados puede dar lugar a lesiones personales serias.

⚠ ADVERTENCIA: *Retire el enchufe del tomacorriente de inmediato si el cable de extensión se daña o se corta.*

Instrucción Adicional de Seguridad

⚠ ADVERTENCIA: *Nunca modifique la herramienta eléctrica, ni tampoco ninguna de sus piezas. Podría producir lesiones corporales o daños.*

⚠ ADVERTENCIA: *Use SIEMPRE lentes de seguridad. Los anteojos de diario NO SON lentes de seguridad. Utilice además una cubrebocas o mascarilla antipolvo si la operación de corte genera demasiado polvo. SIEMPRE LLEVE EQUIPO DE SEGURIDAD CERTIFICADO:*

- protección ocular ANSI Z87.1 (CAN/CSA Z94.3),
- protección auditiva ANSI S12.6 (S3.19),
- protección respiratoria NIOSH/OSHA/MSHA.

⚠ ADVERTENCIA: *Algún polvo contiene químicos conocidos por el Estado de California que causan cáncer, defectos de nacimiento u otros daños reproductivos. Algunos ejemplos de estos químicos son:*

- compuestos en fertilizantes,
- compuestos en insecticidas, herbicidas y pesticidas,
- arsénico y cromo a partir de madera tratada químicamente.

Para reducir su exposición a estos químicos, use equipo de seguridad aprobado, tal como máscaras de polvo que estén diseñadas específicamente para filtrar partículas microscópicas.

⚠ ADVERTENCIA: *La utilización de esta herramienta puede generar polvo o dispersarlo, lo que podría causar daños graves y permanentes al sistema respiratorio, así como otras lesiones. Siempre use protección respiratoria aprobada por NIOSH (Instituto Nacional de Seguridad y Salud en el Trabajo) u OSHA (Administración de Seguridad y Salud en el Trabajo) apropiada para la exposición al polvo. Dirija las partículas en dirección contraria a la cara y el cuerpo.*

⚠ ADVERTENCIA: *Siempre lleve la debida protección auditiva personal en conformidad con ANSI S12.6 (S3.19) durante el uso de esta herramienta. Bajo algunas condiciones y duraciones de uso, el ruido producido por este producto puede contribuir a la pérdida auditiva.*

⚠ ATENCION: *Quando no esté en uso, guarde la herramienta apoyada en un costado sobre una superficie estable, donde no interrumpa el paso o provoque una caída. Algunas herramientas pueden colocarse paradas, pero pueden caerse fácilmente.*

- **Los orificios de ventilación suelen cubrir piezas en movimiento, por lo que también se deben evitar.** Las piezas en movimiento pueden atrapar prendas de vestir sueltas, joyas o el cabello largo.
- **Los hilos del alargador deben ser de un calibre apropiado (AWG o American Wire Gauge) para su seguridad.** Mientras menor sea el calibre del hilo, mayor la capacidad del cable. Es decir, un hilo calibre 16 tiene mayor capacidad que uno de 18. Un cable de un calibre insuficiente causará una caída en la tensión de la línea dando por resultado una pérdida de energía y sobrecalentamiento. Cuando se utilice más de un alargador para completar el largo total, asegúrese que los hilos de cada alargador tengan el calibre mínimo. La tabla siguiente muestra el tamaño correcto a utilizar, dependiendo de la longitud del cable y del amperaje nominal de la placa de identificación. Si tiene dudas sobre cuál calibre usar, use un calibre mayor. Cuanto menor sea el número del calibre, más resistente será el cable.

Calibre mínimo de conjuntos de cables

Voltios	Longitud total del cable en pies (metros)				
	120 V	25 (7,6)	50 (15,2)	100 (30,5)	150 (45,7)
240 V	50 (15,2)	100 (30,5)	200 (61,0)	300 (91,4)	
Amperaje nominal	AWG				
Más de	Más de				
0	6	18	16	16	14
6	10	18	16	14	12
10	12	16	16	14	12
12	16	14	12	No recomendado	

La etiqueta de su herramienta puede incluir los siguientes símbolos. A continuación se indican los símbolos y sus definiciones:

- V voltios
- Hz hertz
- min minutos
- — — or DC direct current
- Ⓢ Construcción de Clase I (tierra)
- ... /min por minuto
- BPM golpes por minuto
- IPM impactos por minuto
- RPM revoluciones por minuto
- sqm pies de superficie por minuto
- SPM pasadas por minuto
- OPM oscilaciones por minuto
- A amperios
- W vatios
- ~ or AC corriente alterna
- ⎓ or AC/DC corriente alterna o directa
- Ⓜ Construcción de Clase II (doble aislamiento)
- n₀ velocidad sin carga
- IPXX símbolo IP

ESPAÑOL

n.....	velocidad nominal	☹.....	protección respiratoria
⊖.....	terminal de conexión a tierra	☹.....	protección ocular
⚠.....	símbolo de advertencia de seguridad	👂.....	protección auditiva
☀.....	radiación visible	📖.....	lea toda la documentación

Motor

Asegúrese de que la fuente de energía concuerde con lo que se indica en la placa. Un descenso en el voltaje de más del 10% producirá una pérdida de potencia y sobrecalentamiento. Todas las herramientas son probadas en fábrica; si esta herramienta no funciona, verifique el suministro eléctrico.

Uso Debido

Este cortasetos está diseñado para uso residencial.

NO use en condiciones húmedas ni en presencia de líquidos o gases inflamables.

NO permita que los niños toquen la herramienta. Si el operador no tiene experiencia operando esta herramienta, su uso deberá ser supervisado.

MONTAJE Y AJUSTES

⚠ ADVERTENCIA: *Para reducir el riesgo de lesiones personales, apague la unidad y desconéctela de la fuente de energía antes de realizar cualquier ajuste o retirar/instalar conexiones o accesorios. Una activación de arranque accidental puede causar lesiones.*

Herramientas Necesarias para el Ensamblaje

- Destornillador

Instalación del Protector y la Palanca del Interruptor en la Podadora (Fig. C)

⚠ ADVERTENCIA: *Utilice el cortasetos únicamente con el protector y la palanca del interruptor debidamente ensamblados. El uso del cortasetos sin el protector y la palanca del interruptor apropiados provistos podría provocar graves lesiones personales.*

La podadora se envía con la protección y la manija de travesaño sujetos a la podadora con un amarre plástico.

Conexión de Protección a Podadora (Fig. B)

1. Retire el tornillo de retención de la protección **11** con el destornillador (no incluido).
2. Deslice la protección **2** completamente sobre el frente del alojamiento de la podadora.

3. Inserte el tornillo de retención de la protección **11** en la abertura del lado de la protección y apriételo firmemente.

Conexión de Manija Auxiliar (Fig. C)

1. Corte el amarre de plástico.
2. Retire los 4 tornillos **12** que se encuentran parcialmente en el alojamiento de la podadora (Fig. C).
3. Deslice la manija **3** del travesaño en la parte delantera del alojamiento de la podadora detrás de la protección.
4. Inserte los cuatro tornillos en las aberturas en el lado de la manija del travesaño y apriételos firmemente como se muestra en la Fig. C.

Fig. B

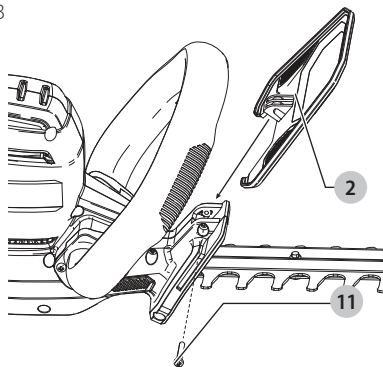
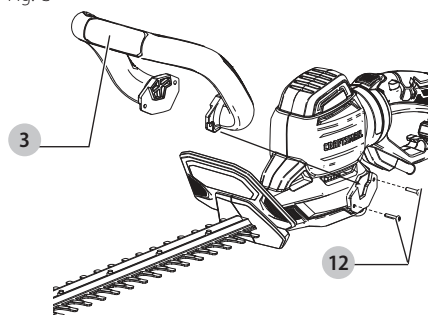


Fig. C

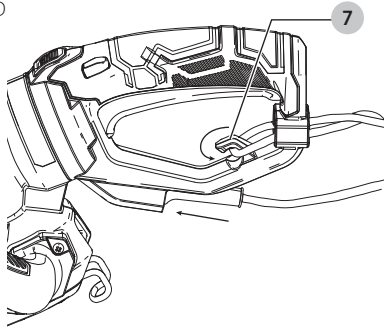


Conexión de un Cable Prolongador a la Podadora (Fig. A, D)

El mango del interruptor viene con un tope de retención para el cable prolongador que impide que la herramienta se desenchufe.

1. Superponga el cable flexible con el cable prolongador y una ambos cables con un nudo como se muestra en la Figure D.
2. Doble el cable prolongador a varias pulgadas del extremo, y enganche el lazo que se forma con un doblez por encima del tope en la abertura de la parte trasera de la zona del mango **7**, como se muestra en la Figure D.
3. Tire suavemente del cable para asegurarse de que esté firmemente retenido en el mango de la podadora.

Fig. D



Para Encender la Herramienta (Fig. E)

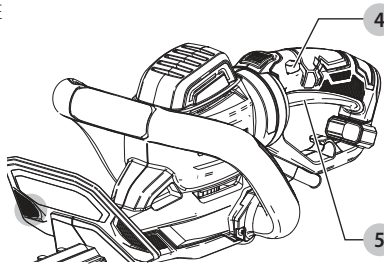
⚠ ADVERTENCIA: Nunca intente bloquear un interruptor en la posición de ENCENDIDO.

⚠ ATENCIÓN: No utilice la podadora para cortar tallos con diámetro mayor a 19 mm (3/4"). Use la podadora para cortar setos normales, del tipo de los que se encuentran afuera de casas y edificios. **NOTA:** La sierra eléctrica puede cortar tallos y ramas de hasta 38,1 mm (1,5").

Para ENCENDER la herramienta, oprima el botón de bloqueo de apagado **4** y presione el interruptor de gatillo **5**. Una vez que la unidad esté en operación, puede liberar el botón de bloqueo de apagado.

Para "APAGAR" la herramienta, libere el gatillo.

Fig. E



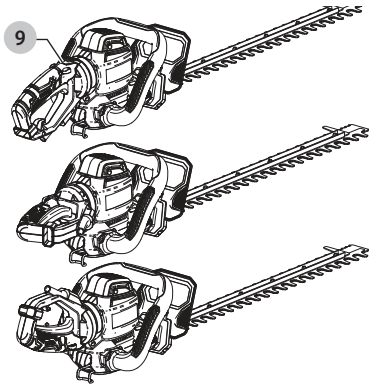
Giro del Mango Trasero (Fig. F)

El mango trasero de la podadora tiene la capacidad de girar 180°. Existen topes opcionales a 0°, 45° y 90° que son ideales para cortes laterales y arbustos redondeados o de formas irregulares.

Para girar el mango trasero, presione el botón de giro **9** y mueva el mango en la dirección deseada como se muestra en la Figura F.

La Figura F representa el mango trasero en las posiciones de 90° a la izquierda, 0° y 90° a la derecha.

Fig. F



OPERACIÓN

⚠ ADVERTENCIA: Para reducir el riesgo de lesiones personales, apague la unidad y desconéctela de la fuente de energía antes de realizar cualquier ajuste o retirar/installar conexiones o accesorios. Una activación de arranque accidental puede causar lesiones.

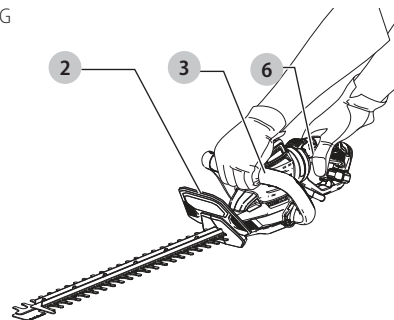
Posición Adecuada de las Manos (Fig. G)

⚠ ADVERTENCIA: Para reducir el riesgo de lesión personal grave, tenga **SIEMPRE** las manos en una posición adecuada como se muestra.

⚠ ADVERTENCIA: Para reducir el riesgo de lesión personal grave, sujete **SIEMPRE** bien en caso de que haya una reacción repentina.

La posición de manos adecuada requiere una mano en el palanca del interruptor **3** y la otra sobre la palanca del interruptor **6**. Nunca sostenga la unidad por la protección de la cuchilla **2**.

Fig. G



Instrucciones de Poda (Fig. H–L)

⚠ PELIGRO: Mantenga las manos lejos de la cuchilla y la sierra eléctrica.

⚠ ADVERTENCIA: Para proteger contra lesiones, tenga en cuenta lo siguiente:

- Lea el manual de instrucciones antes de usar la podadora, conserve el manual.
- Compruebe si existen objetos extraños en el seto como cables o cercos antes de cada uso.
- Conserve las manos en los mangos. No se sobre extienda.
- No se utilice en condiciones de mucha humedad.

⚠ ATENCIÓN: La cuchilla gira después de apagar.

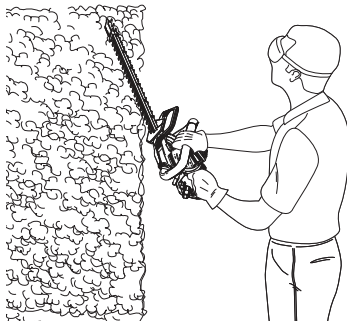
Cable de Extensión (Fig. H)

Mantenga siempre el cable de extensión detrás del cortacercos y alejado de la operación de corte. No lo deje nunca sobre un cerco que se está cortando. Si usted corta o daña el cable, desconéctelo del tomacorriente inmediatamente, antes de inspeccionar o reparar.

Posición de Trabajo (Fig. H)

Mantenga la pisada firme y el balance apropiado todo el tiempo y no se extralimite. Use protección para los ojos, calzado protector antirresbalante y guantes de goma mientras corta. Mantenga la herramienta firmemente con ambas manos y PRENDA la herramienta. Siempre sostenga la podadora, como se muestra en la Figura H, con una mano en el mango del interruptor y una mano en el estribo de suspensión. Nunca sujete la herramienta por el protegehoja.

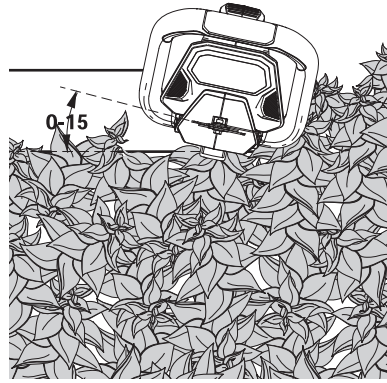
Fig. H



Recorte de Nuevo Crecimiento (Fig. I)

1. Usar un movimiento amplio y de barrido, y pasar los dientes de la cuchilla a través de las ramas, es más efectivo. Una ligera inclinación hacia abajo de la hoja en la dirección del movimiento proporciona el mejor corte.

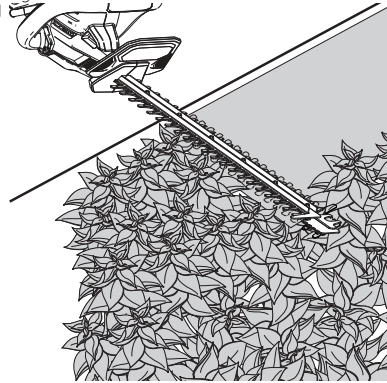
Fig. I



Cercos Nivelados (Fig. J)

1. Para obtener cercos perfectamente nivelados, se puede montar un cordel a lo largo del cerco y usar éste como guía.

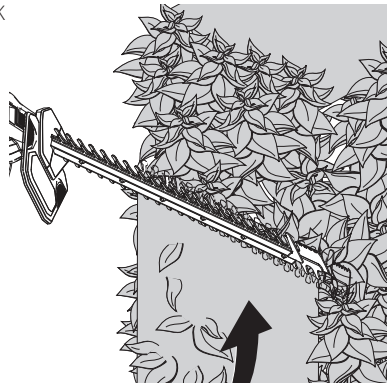
Fig. J



Corte Lateral (Fig. K)

1. Comience por la parte inferior, y vaya ascendiendo con movimiento de barrido.

Fig. K

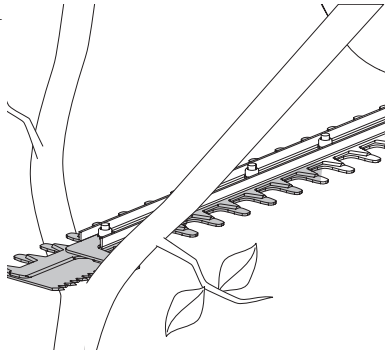


Sierra Eléctrica (Fig. L)

Para ramas demasiado grandes para que las corte la cuchilla **1**, use la sierra eléctrica **8**. Coloque la sierra eléctrica lo más cerca posible de la parte inferior de la rama.

Coloque la zapata de la sierra eléctrica contra la rama. Encienda el cortasetos como se describe anteriormente, permitiendo que la herramienta trabaje a su propio ritmo hasta que la rama esté completamente cortada.

Fig. L



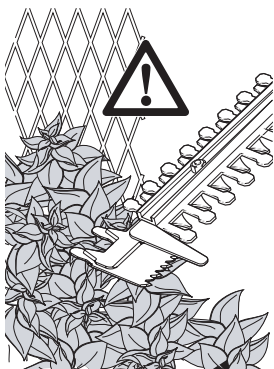
MANTENIMIENTO

⚠ ADVERTENCIA: Para reducir el riesgo de lesiones personales, apague la unidad y desconéctela de la fuente de energía antes de realizar cualquier ajuste o retirar/instalar conexiones o accesorios. Una activación de arranque accidental puede causar lesiones.

Mantenimiento de Cuchilla (Fig. M)

Las cuchillas de corte están hechas de acero endurecido de alta calidad y, con un uso normal, no requerirán un realfilado. Sin embargo, si golpea accidentalmente una cerca de alambre (Fig M), piedras, vidrio u otros objetos duros, puede poner un corte en la cuchilla. No es necesario quitar este corte siempre que no interfiera con el movimiento de la cuchilla. Si interfiere, desconéctela de la fuente de energía y use un lima de dientes finos o una piedra de afilar para quitar el corte. Si deja caer la recortadora, revise cuidadosamente para detectar daños. Si la cuchilla está doblada, el alojamiento está agrietado, las manijas rotas o si observa cualquier otra condición que pueda afectar la operación de la cortadora, comuníquese con el centro de servicio autorizado para realizar las reparaciones antes de volver a utilizarla.

Fig. M



Limpieza

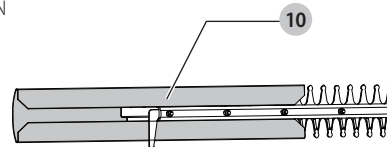
⚠ ADVERTENCIA: Sople la suciedad y el polvo de todos los conductos de ventilación con aire seco, al menos una vez por semana. Para reducir el riesgo de lesiones, utilice siempre protección para los ojos aprobada ANSI Z87.1 al realizar esta tarea.

⚠ ADVERTENCIA: Nunca utilice solventes ni otros químicos abrasivos para limpiar las piezas no metálicas de la herramienta. Estos productos químicos pueden debilitar los materiales plásticos utilizados en estas piezas. Utilice un paño humedecido sólo con agua y jabón neutro. Nunca permita que penetre líquido dentro de la herramienta ni sumerja ninguna de las piezas en un líquido.

Lubricación (Fig. N)

1. Después del uso, disconnect the power source.
2. Después de limpiar, aplique una capa delgada de lubricación a la hoja expuesta.
3. Branchez le cordon y coloque la podadora en posición vertical con las hojas hacia el suelo y haga funcionar la podadora por unos segundos para dispersar la lubricación por completo.
4. Manteniendo las manos alejadas de la hoja, deslice la funda 10 por encima de la hoja hasta que encaje en su sitio, como se muestra en la Figura N.

Fig. N



Almacenamiento

Los fertilizantes y otros productos químicos para el jardín contienen agentes que aceleran en gran medida la corrosión de los metales. No guarde la unidad en o junto a fertilizantes o productos químicos.

Accesorios

⚠ ADVERTENCIA: Debido a que no se han probado con este producto otros accesorios que no sean los que ofrece CRAFTSMAN, el uso de dichos accesorios con esta herramienta podría ser peligroso. Para reducir el riesgo de lesiones, con este producto deben usarse sólo los accesorios recomendados por CRAFTSMAN.

Los accesorios que se recomiendan para utilizar con la herramienta están disponibles a un costo adicional en su distribuidor local o en un centro de mantenimiento autorizado. Si necesita ayuda para localizar algún accesorio, póngase en contacto con CRAFTSMAN, llame al 1-888-331-4569.

Versatrack™ (Fig. O)

⚠️ ADVERTENCIA: *Para reducir el riesgo de lesiones personales, apague la unidad y desconéctela de la fuente de energía antes de realizar cualquier ajuste o retirar/instalar conexiones o accesorios. Una activación de arranque accidental puede causar lesiones.*

⚠️ ADVERTENCIA: *Para reducir el riesgo de lesiones personales graves, no use un gancho para colgar Versatrack™ o Trackwall de Versatrack™ dañados. Un gancho para colgar Versatrack™ o Trackwall de Versatrack™ dañados no soportarán el peso de la herramienta.*

⚠️ ADVERTENCIA: *Para reducir el riesgo de lesiones personales graves, NO suspenda la herramienta por encima ni cuelgue objetos del gancho. SÓLO suspenda la herramienta en el Trackwall de Versatrack™ con el gancho para colgar Versatrack™.*

⚠️ ADVERTENCIA: *El gancho integral para colgar Versatrack™ está diseñado para montar la herramienta en un riel Trackwall de Versatrack™. No use el gancho de colgar integral para montar la herramienta en ninguna otra superficie.*

⚠️ ADVERTENCIA: *El gancho de colgar integral Versatrack™ no es un gancho de cinturón.*

⚠️ ADVERTENCIA: *Cuando cuelgue objetos en el riel Trackwall de Versatrack™, espacie adecuadamente las herramientas para no exceder 75 lbs (35 kg) por pie lineal.*

⚠️ ADVERTENCIA: *Antes de usar la herramienta, asegúrese que el gancho de colgar integral Versatrack™ vuelva a su posición original*

IMPORTANTE: Los accesorios Versatrack™ montan herramientas compatibles con seguridad al sistema Trackwall de Versatrack™.

1. Apague la herramienta, retire los accesorios y desconéctelo de la fuente de alimentación.

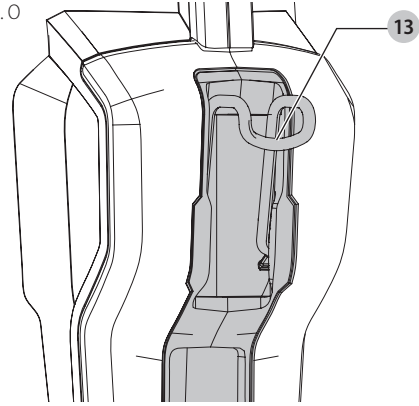
⚠️ ATENCIÓN: *Cualquier producto con dientes de corte expuestos debe tenerlos cubiertos de forma segura si va a estar en el Trackwall de Versatrack™.*

2. Voltee o abra el gancho de colgar integral **13**. Hace clic cuando está bloqueado en su posición.

3. Monte el gancho de colgar integral en el Trackwall de Versatrack™.

NOTA: Los accesorios Versatrack™ para uso con su herramienta están disponibles por un costo adicional a partir de su distribuidor local o centro de servicio autorizado. Si necesita ayuda para encontrar cualquier accesorio, comuníquese con CRAFTSMAN, llame al **1-888-331-4569**.

Fig. O



Reparaciones

⚠️ ADVERTENCIA: *Para asegurar la SEGURIDAD y la CONFIABILIDAD del producto, las reparaciones, el mantenimiento y los ajustes (inclusive la inspección y el cambio de las escobillas, cuando proceda) deben ser realizados en un centro de mantenimiento en la fábrica CRAFTSMAN u en un centro de mantenimiento autorizado CRAFTSMAN. Utilice siempre piezas de repuesto idénticas.*

Para reparación y servicio de sus herramientas eléctricas, favor de dirigirse al Centro de Servicio más cercano

CULIACAN, SIN

Bld. Emiliano Zapata 5400-1 Poniente Col. (667) 717 89 99 San Rafael

GUADALAJARA, JAL

Av. La Paz #1779 - Col. Americana Sector (33) 3825 6978 Juárez

MEXICO, D.F.

Eje Central Lázaro Cárdenas No. 18 - Local (55) 5588 9377 D, Col. Obrera

MERIDA, YUC

Calle 63 #459-A - Col. Centro (999) 928 5038

MONTERREY, N.L.

Av. Francisco I. Madero 831 Poniente - Col. (818) 375 23 13 Centro

PUEBLA, PUE

17 Norte #205 - Col. Centro (222) 246 3714

QUERETARO, QRO

Av. San Roque 274 - Col. San Gregorio (442) 2 17 63 14

SAN LUIS POTOSI, SLP

Av. Universidad 1525 - Col. San Luis (444) 814 2383

TORREON, COAH

Blvd. Independencia, 96 Pte. - Col. Centro (871) 716 5265

VERACRUZ, VER

Prolongación Díaz Mirón #4280 - Col. Remes (229) 921 7016

VILLAHERMOSA, TAB

Constitución 516-A - Col. Centro (993) 312 5111

PARA OTRAS LOCALIDADES:

Si se encuentra en México, por favor llame al (55) 5326 7100

Si se encuentra en U.S., por favor llame al 1-888-331-4569

Póliza de Garantía

IDENTIFICACIÓN DEL PRODUCTO:

Sello o firma del Distribuidor.

Nombre del producto: _____

Mod./Cat.: _____

Marca: _____

Núm. de serie: _____

(Datos para ser llenados por el distribuidor)

Fecha de compra y/o entrega del producto:

Nombre y domicilio del distribuidor donde se adquirió el producto:

Este producto está garantizado por un año a partir de la fecha de entrega, contra cualquier defecto en su funcionamiento, así como en materiales y mano de obra empleados para su fabricación. Nuestra garantía incluye la reparación o reposición del producto y/o componentes sin cargo alguno para el cliente, incluyendo mano de obra, así como los gastos de transportación razonablemente erogados derivados del cumplimiento de este certificado.

Para hacer efectiva esta garantía deberá presentar su herramienta y esta póliza sellada por el establecimiento comercial donde se adquirió el producto, de no contar con ésta, bastará la factura de compra.

Excepciones

Esta garantía no será válida en los siguientes casos:

- Cuando el producto se hubiese utilizado en condiciones distintas a las normales;
- Cuando el producto no hubiese sido operado de acuerdo con el instructivo de uso que se acompaña;
- Cuando el producto hubiese sido alterado o reparado por personas distintas a las enlistadas al final de este certificado.

Anexo encontrará una relación de sucursales de servicio de fábrica, centros de servicio autorizados y franquiciados en la República Mexicana, donde podrá hacer efectiva su garantía y adquirir partes, refacciones y accesorios originales.

Solamente para propósito de México:

Importado por: Craftsman. Tool Co. S.A. de C.V.
 Avenida Antonio Dovali Jaime, # 70 Torre B Piso 9
 Colonia La Fe, Santa Fé
 Código Postal : 01210
 Delegación Alvaro Obregón
 México D.F.
 Tel. (52) 555-326-7100
 R.F.C.: BDE810626-1W7

Registro en Línea

Gracias por su compra. Registre su producto ahora para:

- **SERVICIO EN GARANTÍA:** Si completa esta tarjeta, podrá obtener un servicio en garantía más eficiente, en caso de que exista un problema con su producto.
- **CONFIRMATCIÓN DE PROPIEDAD:** En caso de una pérdida que cubra el seguro, como un incendio, una inundación o un robo, el registro de propiedad servirá como comprobante de compra.
- **PARA SU SEGURIDAD:** Si registra el producto, podremos comunicarnos con usted en el caso improbable que se deba enviar una notificación de seguridad conforme a la Federal Consumer Safety Act (Ley Federal de Seguridad de Productos para el Consumidor).
- Registro en línea en www.craftsman.com/registration.

Garantía Limitada por Tres Años

CRAFTSMAN reparará o reemplazará, sin cargo, cualquier defecto debido a materiales o mano de obra defectuosos por tres años desde la fecha de compra. Esta garantía no cubre falla de partes debido al desgaste normal o abuso de la herramienta. Para detalles adicionales de la cobertura de la garantía e información de reparación de garantía, visite www.craftsman.com o llame al **1-888-331-4569**.

Esta garantía no se aplica a accesorios o daño causado cuando otros hayan realizado o intentado reparaciones. ESTA GARANTÍA LIMITADA SE OTORGA EN LUGAR DE TODAS LAS DEMÁS, INCLUIDA LA GARANTÍA IMPLÍCITA DE COMERCIABILIDAD E IDONEIDAD PARA UN PROPÓSITO EN PARTICULAR, Y EXCLUYE TODOS LOS DAÑOS INCIDENTALES O EN CONSECUENCIA. Algunos estados no permiten limitaciones sobre la duración de una garantía implícita o la exclusión o limitación de daños incidentales o en consecuencia, por lo que estas limitaciones pueden no aplicarse en su caso. Esta garantía le da derechos legales específicos y puede tener otros derechos que varían en ciertos estados o provincias

GARANTÍA DE REEMBOLSO DE SU DINERO POR 90 DÍAS

Si no está completamente satisfecho con el desempeño de su máquina herramienta o clavadora CRAFTSMAN, cualquiera sea el motivo, podrá devolverlo hasta 90 días de

la fecha de compra con su recibo y obtener el reembolso completo de su dinero – sin necesidad de responder a ninguna pregunta.

AMÉRICA LATINA: Esta garantía no se aplica a los productos que se venden en América Latina. Para los productos que se venden en América Latina, debe consultar la información de la garantía específica del país que viene en el empaque, llamar a la compañía local o visitar el sitio Web a fin de obtener esa información.

REEMPLAZO GRATUITO DE LAS ETIQUETAS DE

ADVERTENCIAS: Si sus etiquetas de advertencia se vuelven ilegibles o faltan, llame al **1-888-331-4569** para que se le reemplacen gratuitamente.

GUÍA DE SOLUCIÓN DE PROBLEMAS

ASEGÚRESE DE SEGUIR LAS REGLAS E INSTRUCCIONES DE SEGURIDAD

Para conocer la ubicación del centro de mantenimiento más cercano a fin de recibir ayuda con su producto, visite nuestro sitio Web **www.craftsman.com** o llame a la línea de ayuda CRAFTSMAN al 1-888-331-4569.

PROBLEMA	CAUSA POSIBLE	SOLUCIÓN POSIBLE
Hojas que funcionan con lentitud, producen mucho ruido o se calientan.	Hojas secas u oxidadas.	Lubrique las hojas.
	Hojas o soporte para hojas doblados.	Enderece la hoja o el soporte para hojas.
	Dientes doblados o dañados.	Enderece los dientes.
	Pernos de la hoja sueltos.	Ajuste los pernos de la hoja.
La unidad no enciende.	Bloqueo no está totalmente accionado.	Revise que el bloqueo esté completamente atrás antes de mover el gatillo principal.
	Cable desenchufado.	Enchufe el cargador en un tomacorriente que funcione.
	Fusible quemado.	Reemplace el fusible quemado. (Si el producto causa repetidamente que se funda el fusible de circuito, descontinúe el uso de inmediato, y pida que le den servicio en un centro de servicio autorizado.)
	El interruptor automático está activado.	Reinicie el interruptor automático. (Si el producto causa repetidamente que se funda el fusible de circuito, descontinúe el uso de inmediato, y pida que le den servicio en un centro de servicio autorizado.)
	Interruptor o cable dañado.	Pida que un centro de servicio autorizado reemplace el cable o interruptor.







