

# CRAFTSMAN®

INSTRUCTION MANUAL | GUIDE D'UTILISATION | MANUAL DE INSTRUCCIONES

**10" (254 mm) Corded Buffer/Polisher**  
**Ponceuse/Polisseuse avec fil 254 mm (10 po)**  
**Pulidora Alámbrica de 254 mm (10")**

**CMEE100**



IF YOU HAVE QUESTIONS OR COMMENTS, CONTACT US.  
POUR TOUTE QUESTION OU TOUT COMMENTAIRE, NOUS CONTACTER.  
SI TIENE DUDAS O COMENTARIOS, CONTÁCTENOS.

**1-888-331-4569**

**WWW.CRAFTSMAN.COM**

---

English (***original instructions***)

1

---

Français (*traduction de la notice d'instructions originale*)

8

---

Español (*traducido de las instrucciones originales*)

16

---

## Definitions: Safety Alert Symbols and Words

This instruction manual uses the following safety alert symbols and words to alert you to hazardous situations and your risk of personal injury or property damage.



**DANGER:** Indicates an imminently hazardous situation which, if not avoided, **will** result in **death or serious injury**.



**WARNING:** Indicates a potentially hazardous situation which, if not avoided, **could** result in **death or serious injury**.



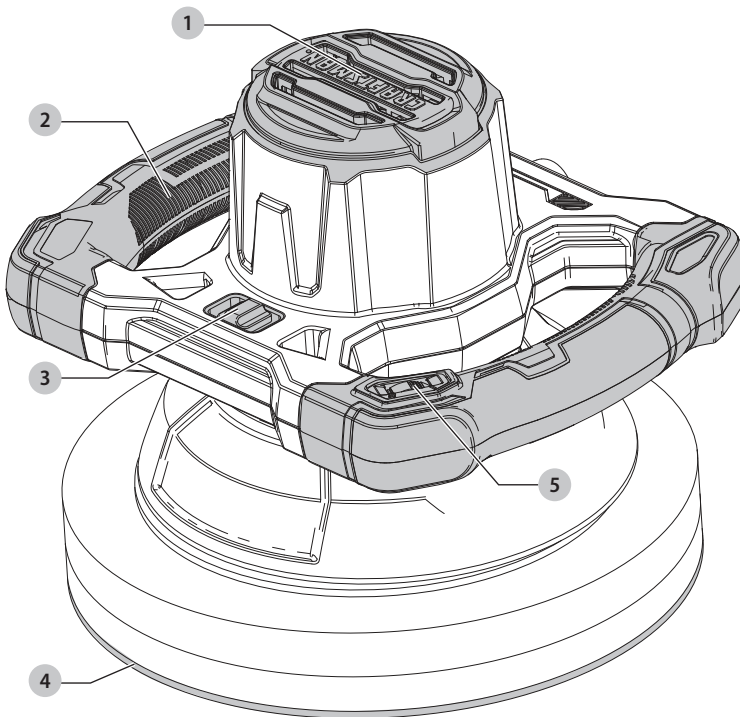
**CAUTION:** Indicates a potentially hazardous situation which, if not avoided, **may** result in **minor or moderate injury**.



(Used without word) Indicates a safety related message.

**NOTICE:** Indicates a practice **not related to personal injury** which, if not avoided, **may** result in **property damage**.

Fig. A



### COMPONENTS

- 1 Non-marring flat top cap
- 2 Perimeter handle system
- 3 On/Off slide switch
- 4 Foam pad base
- 5 Speed dial



**WARNING:** Read all safety warnings and all instructions. Failure to follow the warnings and instructions may result in electric shock, fire and/or serious injury.



**WARNING:** To reduce the risk of injury, read the instruction manual.

If you have any questions or comments about this or any product, call CRAFTSMAN toll free at: 1-888-331-4569.

## 10" (254 mm) Corded Buffer/Polisher CMEE100

### GENERAL POWER TOOL SAFETY WARNINGS



**WARNING:** Read all safety warnings, instructions, illustrations and specifications provided with this power tool. Failure to follow all instructions listed below may result in electric shock, fire and/or serious injury.

#### SAVE ALL WARNINGS AND INSTRUCTIONS FOR FUTURE REFERENCE

The term "power tool" in the warnings refers to your mains-operated (corded) power tool or battery-operated (cordless) power tool.

#### 1) Work Area Safety

- a) **Keep work area clean and well lit.** Cluttered or dark areas invite accidents.
- b) **Do not operate power tools in explosive atmospheres, such as in the presence of flammable liquids, gases or dust.** Power tools create sparks which may ignite the dust or fumes.
- c) **Keep children and bystanders away while operating a power tool.** Distractions can cause you to lose control.

#### 2) Electrical Safety

- a) **Power tool plugs must match the outlet. Never modify the plug in any way. Do not use any adapter plugs with earthed (grounded) power tools.** Unmodified plugs and matching outlets will reduce risk of electric shock.
- b) **Avoid body contact with earthed or grounded surfaces such as pipes, radiators, ranges and refrigerators.** There is an increased risk of electric shock if your body is earthed or grounded.
- c) **Do not expose power tools to rain or wet conditions.** Water entering a power tool will increase the risk of electric shock.
- d) **Do not abuse the cord. Never use the cord for carrying, pulling or unplugging the power tool. Keep cord away from heat, oil, sharp edges or moving parts.** Damaged or entangled cords increase the risk of electric shock.
- e) **When operating a power tool outdoors, use an extension cord suitable for outdoor use.** Use of a cord suitable for outdoor use reduces the risk of electric shock.
- f) **If operating a power tool in a damp location is unavoidable, use a ground fault circuit interrupter (GFCI) protected supply.** Use of a GFCI reduces the risk of electric shock.

#### 3) Personal Safety

- a) **Stay alert, watch what you are doing and use common sense when operating a power tool. Do not use a power tool while you are tired or under the influence of drugs, alcohol or medication. A**

moment of inattention while operating power tools may result in serious personal injury.

- b) **Use personal protective equipment. Always wear eye protection.** Protective equipment such as dust mask, non-skid safety shoes, hard hat, or hearing protection used for appropriate conditions will reduce personal injuries.
- c) **Prevent unintentional starting. Ensure the switch is in the off position before connecting to power source and/or battery pack, picking up or carrying the tool.** Carrying power tools with your finger on the switch or energizing power tools that have the switch on invites accidents.
- d) **Remove any adjusting key or wrench before turning the power tool on.** A wrench or a key left attached to a rotating part of the power tool may result in personal injury.
- e) **Do not overreach. Keep proper footing and balance at all times.** This enables better control of the power tool in unexpected situations.
- f) **Dress properly. Do not wear loose clothing or jewelry. Keep your hair, clothing and gloves away from moving parts.** Loose clothes, jewelry or long hair can be caught in moving parts.
- g) **If devices are provided for the connection of dust extraction and collection facilities, ensure these are connected and properly used.** Use of dust collection can reduce dust-related hazards.
- h) **Do not let familiarity gained from frequent use of tools allow you to become complacent and ignore tool safety principles.** A careless action can cause severe injury within a fraction of a second.

#### 4) Power Tool Use and Care

- a) **Do not force the power tool. Use the correct power tool for your application.** The correct power tool will do the job better and safer at the rate for which it was designed.
- b) **Do not use the power tool if the switch does not turn it on and off.** Any power tool that cannot be controlled with the switch is dangerous and must be repaired.
- c) **Disconnect the plug from the power source and/or remove the battery, pack if detachable, from the power tool before making any adjustments, changing accessories, or storing power tools.** Such preventive safety measures reduce the risk of starting the power tool accidentally.
- d) **Store idle power tools out of the reach of children and do not allow persons unfamiliar with the power tool or these instructions to operate the power tool.** Power tools are dangerous in the hands of untrained users.
- e) **Maintain power tools and accessories. Check for misalignment or binding of moving parts, breakage of parts and any other condition that may affect the power tool's operation. If**

**damaged, have the power tool repaired before use.** Many accidents are caused by poorly maintained power tools.

- f) **Keep cutting tools sharp and clean.** Properly maintained cutting tools with sharp cutting edges are less likely to bind and are easier to control.
- g) **Use the power tool, accessories and tool bits, etc. in accordance with these instructions, taking into account the working conditions and the work to be performed.** Use of the power tool for operations different from those intended could result in a hazardous situation.
- h) **Keep handles and grasping surfaces dry, clean and free from oil and grease.** Slippery handles and grasping surfaces do not allow for safe handling and control of the tool in unexpected situations.

## 5) Service

- a) **Have your power tool serviced by a qualified repair person using only identical replacement parts.** This will ensure that the safety of the power tool is maintained.

## Additional Safety Warnings

- **Hold the power tool by insulated gripping surfaces, because the polishing surface may contact its own cord.** Cutting a "live" wire may make exposed metal parts of the power tool "live" and could give the operator an electric shock.
- If the power supply cord is damaged, it must be replaced only by the manufacturer or by an authorized service center to avoid risk.
- **Vehicle should be clean and dry before using your buffer polisher.** Remove all road tar, excess grease spots and bug stains.
- **ALWAYS** make sure the vehicle's surface is cool before washing and using the buffer/polisher.
- **DO NOT** apply wax directly on vehicle.
- To avoid splashing wax, **ALWAYS** start and stop the buffer/polisher on or against the surface to be polished.
- Place extension cord over your shoulder to keep it safely out of your way.
- **DO NOT** apply excessive pressure against the work surface with this tool. The random orbital motion feature on this tool will perform better when less pressure is applied. Applying excessive pressure will slow the random orbital motion and reduce the effectiveness of the tool.
- **DO NOT USE ABRASIVE COMPOUNDS WITH THIS TOOL.**

## Additional Safety Information



**WARNING:** Never modify the power tool or any of its components as there is a risk of personal injury or property damage.



**WARNING: ALWAYS** use safety glasses. Everyday eyeglasses are NOT safety glasses. Also use face or dust mask if operation is dusty. **ALWAYS WEAR CERTIFIED SAFETY EQUIPMENT:**

- ANSI Z87.1 eye protection (CAN/CSA Z94.3),

- ANSI S12.6 (S3.19) hearing protection,
- NIOSH/OSHA/MSHA respiratory protection.



**WARNING:** Some dust created by power sanding, sawing, grinding, drilling, and other construction activities contains chemicals known to the State of California to cause cancer, birth defects or other reproductive harm. Some examples of these chemicals are:

- lead from lead-based paints,
- crystalline silica from bricks and cement and other masonry products, and
- arsenic and chromium from chemically-treated lumber.

Your risk from these exposures varies, depending on how often you do this type of work. To reduce your exposure to these chemicals: work in a well ventilated area, and work with approved safety equipment, such as those dust masks that are specially designed to filter out microscopic particles.

- **Avoid prolonged contact with dust from power sanding, sawing, grinding, drilling, and other construction activities.** Wear protective clothing and wash exposed areas with soap and water. Allowing dust to get into your mouth, eyes, or lay on the skin may promote absorption of harmful chemicals.



**WARNING: Always wear proper personal hearing protection that conforms to ANSI S12.6 (S3.19) during use.** Under some conditions and duration of use, noise from this product may contribute to hearing loss..



**CAUTION: When not in use, place tool on its side on a stable surface where it will not cause a tripping or falling hazard.** Some tools will stand upright but may be easily knocked over.

- **Air vents often cover moving parts and should be avoided.** Loose clothes, jewelry or long hair can be caught in moving parts.
- **An extension cord must have adequate wire size (AWG or American Wire Gauge) for safety.** The smaller the gauge number of the wire, the greater the capacity of the cable, that is, 16 gauge has more capacity than 18 gauge. An undersized cord will cause a drop in line voltage resulting in loss of power and overheating. When using more than one extension to make up the total length, be sure each individual extension contains at least the minimum wire size. The following table shows the correct size to use depending on cord length and nameplate ampere rating. If in doubt, use the next heavier gauge. The lower the gauge number, the heavier the cord.

**Minimum Gauge for Cord Sets**

Volts	Total Length of Cord in Feet (meters)					
	120 V	25 (7.6)	50 (15.2)	100 (30.5)	150 (45.7)	
240 V	50 (15.2)	100 (30.5)	200 (61.0)	300 (91.4)		
Ampere Rating		American Wire Gauge				
More Than	Not More Than					
0	6	18	16	16	14	
6	10	18	16	14	12	
10	12	16	16	14	12	
12	16	14	12	Not Recommended		

The label on your tool may include the following symbols. The symbols and their definitions are as follows:

- V .....volts
- Hz .....hertz
- min .....minutes
- or DC.....direct current
- Ⓛ .....(Class I Construction (grounded))
- .../min.....per minute
- BPM.....beats per minute
- IPM.....impacts per minute
- RPM.....revolutions per minute
- sfpm .....surface feet per minute
- SPM.....strokes per minute
- OPM.....oscillations per minute
- A.....amperes
- W.....watts
- ~ or AC.....alternating current
- Ⓜ or AC/DC...alternating or direct current
- Ⓛ .....Class II Construction (double insulated)
- n<sub>0</sub> .....no load speed
- n .....rated speed
- Ⓧ .....earthing terminal
- ⚠ .....safety alert symbol
- ⚠ .....visible radiation
- ⚠ .....avoid staring at light
- Ⓜ .....wear respiratory protection
- Ⓧ .....wear eye protection
- Ⓜ .....wear hearing protection
- Ⓧ .....read all documentation
- IPXX .....IP symbol

**SAVE THESE INSTRUCTIONS FOR FUTURE USE**

**Motor**

Be sure your power supply agrees with the nameplate marking. Voltage decrease of more than 10% will cause loss of power and overheating. These tools are factory tested; if this tool does not operate, check power supply.

Your CRAFTSMAN buffer/polisher has a precision-built electric motor and it should be connected to a 120-volt, 60-Hz AC ONLY power supply (normal household current). DO NOT operate on direct current (DC). The large voltage drop will cause a loss of power and the motor will overheat. If the tool does not operate when plugged into correct 120-volt, 60-Hz AC ONLY outlet, check the power supply. This buffer/polisher has a 2-wire power cord (no adapter needed).

**Intended Use**

This buffer/polisher is intended solely for residential buffing and polishing.

**DO NOT** use under wet conditions or in presence of flammable liquids or gases.

**DO NOT** let children come into contact with the tool. Supervision is required when inexperienced operators use this tool.

**SPECIFICATIONS**

Pad Diameter	10" (254 mm)
Motor OPM	2800
Rating	120 volts, 60 Hz AC
Amps	1

**ASSEMBLY AND ADJUSTMENTS**

**WARNING:** To reduce the risk of serious personal injury, turn unit off and disconnect it from power source before making any adjustments or removing/installing attachments or accessories. An accidental start-up can cause injury.

**Speed Dial (Fig. A)**

The speed dial 5 changes the speed of the buffer/polisher. Rotate the dial forward to increase the speed or backward to decrease the speed. 1 is the lowest setting and 4 is the highest setting.

**OPERATION**

**WARNING:** To reduce the risk of serious personal injury, turn unit off and disconnect it from power source before making any adjustments or removing/installing attachments or accessories. An accidental start-up can cause injury.

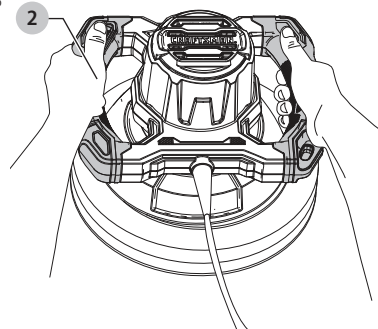
**Proper Hand Position (Fig. B)**

**WARNING:** To reduce the risk of serious personal injury, ALWAYS use proper hand position as shown.

**WARNING:** To reduce the risk of serious personal injury, ALWAYS hold securely in anticipation of a sudden reaction.

Proper hand position requires both hands on the perimeter handle 2.

Fig. B



## Attaching Wax Applicator Bonnet and Applying Wax (Fig. C, D)

**⚠ WARNING:** If any parts are missing, **DO NOT** operate this buffer/polisher until the missing parts are replaced. Failure to do so could result in possible serious personal injury.

1. Attach the wax applicator bonnet **6** to the foam pad base **4** as shown in Figure C. ALWAYS make sure that the elastic strip on the bottom of the bonnet is securely tucked under the underside of the foam pad.
2. Using a putty knife or any other flat object, apply paste wax to the bonnet by spreading a teaspoon of wax evenly over the entire surface of the wax applicator bonnet as shown in Figure D.

**IMPORTANT:** Do not apply wax directly on vehicle.

3. Apply three swirls of wax over applicator bonnet. This should be enough to cover 1/4 of vehicle surface.
4. For the second, third, and fourth applications, only use about one half as much as on first application. The bonnet will not absorb as much wax on these applications.

Fig. C

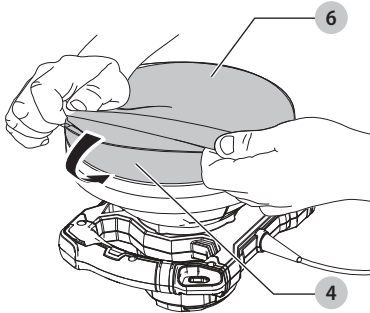
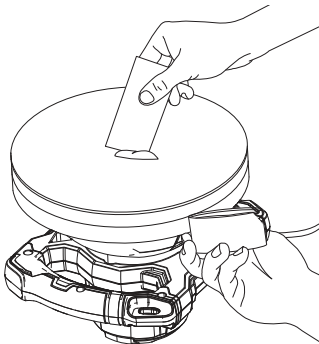


Fig. D



## Waxing Vehicle (Fig. A, E)

1. Before you begin to wax, buff and polish your vehicle, remove all road tar, excess grease spots and bug stains with a general-purpose cleaner. Dry your vehicle.
2. After plugging tool into extension cord, place the extension cord over your shoulder to keep it safely out of your way.
3. Place buffer/polisher against vehicle and turn buffer/polisher ON by sliding switch to On position. To avoid splashing wax, ALWAYS start and stop the buffer/polisher against the surface to be polished.
4. Begin buffing at a low speed and then turn up the speed using the speed dial **5**.
5. Apply wax in a straight line with either a side-to-side or back and forth motion. ALWAYS use broad, even strokes when applying wax. Apply wax in a thin, even coat. Too much wax does not add any more protection and only makes the wax removal more difficult.
6. Apply wax to the flat surfaces (hood, trunk and roof) first. Wax one section at a time.
7. After flat surfaces are covered, wax the sides. It is easiest to apply the wax to the entire surface before starting the removal phase; however, follow the specific recommendations of the wax or polish being used.
8. When you have finished applying wax with the applicator, bonnet, SHUT OFF the buffer/polisher before removing from the vehicle's surface.

**NOTE:** DO NOT apply too much wax to the bonnet. Applying too much wax causes the bonnet to become saturated and it will not last as long. THIS MAKES POLISHING MORE DIFFICULT AND IT TAKES LONGER.

**NOTE:** If the bonnet is continually coming off the pad, you may be using too much wax.

**NOTE:** If buffing seems difficult, you have used too much wax.

**IMPORTANT:** DO NOT apply excessive pressure against the work surface with this tool. The random orbital motion feature on this tool will perform better when less pressure is applied. Applying excessive pressure will slow the random orbital motion and reduce the effectiveness of the tool.

**IMPORTANT:** Wax applicator bonnets should only be used once, then disposed of properly.

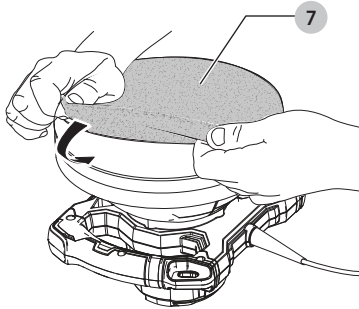
Fig. E



## Attaching Polishing Bonnet to Foam Pad (Fig. F)

1. Place the terry bonnet 7 on foam pad as shown in Figure F.
2. ALWAYS make sure that the elastic strip on the bottom of the bonnet is securely tucked on the underside of the foam pad.

Fig. F



## Buffing and Polishing

**NOTICE:** You should use utmost care when power polishing around or over sharp objects and contours of the car body. It is very important to use the correct pressure while polishing various sections of an automobile body. For example, light pressure should be applied when polishing over sharp edges of body panels, or over edges of the rain gutter along the top.

1. Wait until wax has dried to an even haze on vehicle.
2. Place extension cord over your shoulder.
3. Turn buffer/polisher ON.

**IMPORTANT:** DO NOT apply excessive pressure against the work surface with this tool. The random orbital motion feature on this tool will perform better when less pressure is applied. Applying excessive pressure will slow the random orbital motion and reduce the effectiveness of the tool.

**NOTE:** For best results, use long, sweeping strokes in a criss-cross pattern when removing wax.

4. Buff and polish the entire surface until all dried wax is removed. Remove the bonnet from time to time and shake out the dried wax residue. A bonnet with excess residue will cause streaking. You may need to replace the bonnet with a new one if you can't get it clean enough to avoid streaking.

## Vehicle Care Tips

- Wash and polish the vehicle 3 to 4 times a year to help ensure paint protection.
- Wash the vehicle at least every 2 weeks with a vehicle wash solution which will not harm the finish or strip the wax. AVOID washing with household detergents.
- Wash with a clean sponge and dry with a terry cloth towel to help prevent dirt from scratching the paint. Start on the top and work down.
- Remove bugs, bird droppings, tree sap and tar from the vehicle's surface on a daily basis.
- ALWAYS make sure that the vehicle's surface is cool before washing.
- Avoid parking near sprinklers, because water spots are difficult to remove.
- ALWAYS keep glass cleaner chemicals away from painted surfaces. Spray the cleaner onto a towel, NOT directly on the windows.

## MAINTENANCE

**WARNING:** To reduce the risk of serious personal injury, turn unit off and disconnect it from power source before making any adjustments or removing/installing attachments or accessories. An accidental start-up can cause injury.

## Accessories

**WARNING:** Since accessories, other than those offered by CRAFTSMAN, have not been tested with this product, use of such accessories with this tool could be hazardous. To reduce the risk of injury, only CRAFTSMAN recommended accessories should be used with this product.

Recommended accessories for use with your tool are available at extra cost from your local dealer or authorized service center. If you need assistance in locating any accessory, please contact CRAFTSMAN 1-888-331-4569.

## Cleaning

**WARNING:** Blow dirt and dust out of all air vents with clean, dry air at least once a week. To minimize the risk of eye injury, always wear ANSI Z87.1 approved eye protection when performing this procedure.





**WARNING:** *Never use solvents or other harsh chemicals for cleaning the non-metallic parts of the tool. These chemicals may weaken the plastic materials used in these parts. Use a cloth dampened only with water and mild soap. Never let any liquid get inside the tool; never immerse any part of the tool into a liquid.*

Terry cloth bonnets, polishing bonnet and hand applicator pad can all be machine washed in cold water, using a small amount of detergent. Machine dry at medium temperature. HOWEVER, we recommend hand washing and air drying for longer bonnet life.

## Repairs



**WARNING:** *To assure product SAFETY and RELIABILITY, repairs, maintenance and adjustment (including power cord repairs, and brush inspection and replacement, when applicable) should be performed by a CRAFTSMAN factory service center or a CRAFTSMAN authorized service center. Always use identical replacement parts.*

## Storage

Remove the bonnet from the foam pad when the buffer/polisher is not in use, so the pad can dry out and retain its original shape.

To prolong the life of the foam pad, ALWAYS store the buffer/polisher with the pad face up.

## Register Online

Thank you for your purchase. Register your product now for:

- **WARRANTY SERVICE:** Registering your product will help you obtain more efficient warranty service in case there is a problem with your product.
- **CONFIRMATION OF OWNERSHIP:** In case of an insurance loss, such as fire, flood or theft, your registration of ownership will serve as your proof of purchase.
- **FOR YOUR SAFETY:** Registering your product will allow us to contact you in the unlikely event a safety notification is required under the Federal Consumer Safety Act.

Register online at [www.craftsman.com/](http://www.craftsman.com/)

## Three Year Limited Warranty

CRAFTSMAN will repair or replace, without charge, any defects due to faulty materials or workmanship for three years from the date of purchase. This warranty does not cover part failure due to normal wear or tool abuse. For further detail of warranty coverage and warranty repair information, visit [www.craftsman.com](http://www.craftsman.com) or call **1-888-331-4569**. This warranty does not apply to accessories or damage caused where repairs have been made or attempted by others. THIS LIMITED WARRANTY IS GIVEN IN LIEU OF ALL OTHERS, INCLUDING THE IMPLIED WARRANTY OF MERCHANTABILITY AND FITNESS FOR A PARTICULAR PURPOSE, AND EXCLUDES ALL INCIDENTAL OR CONSEQUENTIAL DAMAGES. Some states do not allow

limitations on how long an implied warranty lasts or the exclusion or limitation of incidental or consequential damages, so these limitations may not apply to you. This warranty gives you specific legal rights and you may have other rights which vary in certain states or provinces.

### 90 DAY MONEY BACK GUARANTEE

If you are not completely satisfied with the performance of your CRAFTSMAN Power Tool or Nailer for any reason, you can return it within 90 days from the date of purchase with a receipt for a full refund – no questions asked.

**LATIN AMERICA:** This warranty does not apply to products sold in Latin America. For products sold in Latin America, see country specific warranty information contained in the packaging, call the local company or see website for warranty information.

**FREE WARNING LABEL REPLACEMENT:** If your warning labels become illegible or are missing, call **1-888-331-4569** for a free replacement.

## Définitions : symboles et termes d'alarmes sécurité

Ces guides d'utilisation utilisent les symboles et termes d'alarmes sécurité suivants pour vous prévenir de situations dangereuses et de risques de dommages corporels ou matériels.



**DANGER** : indique une situation dangereuse imminente qui, si elle n'est pas évitée, **entraînera la mort ou des blessures graves**.



**AVERTISSEMENT** : indique une situation potentiellement dangereuse qui, si elle n'est pas évitée, **pourrait entraîner la mort ou des blessures graves**.



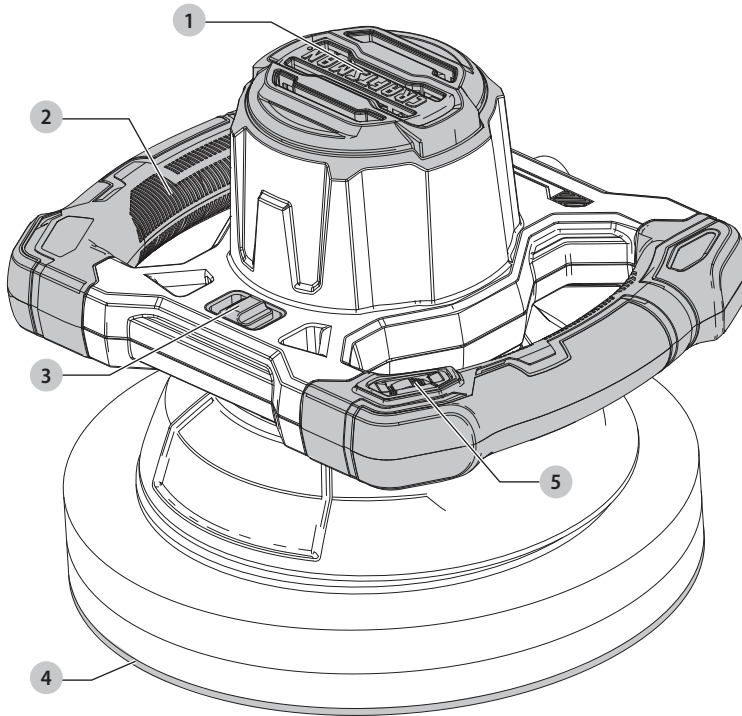
**ATTENTION** : indique une situation potentiellement dangereuse qui, si elle n'est pas évitée, **pourrait entraîner des blessures légères ou modérées**.



(Si utilisé sans aucun terme) Indique un message propre à la sécurité.

**AVIS** : indique une pratique ne posant **aucun risque de dommages corporels** mais qui par contre, si rien n'est fait pour l'éviter, **pourrait poser des risques de dommages matériels**.

Fig. A



### DESCRIPTION

- 1 Capuchon supérieur plat antirayures
- 2 Système de poignée du périmètre
- 3 Bouton Marche/Arrêt à glissière
- 4 Base du coussin en mousse
- 5 Cadran de vitesses



**AVERTISSEMENT** : lire tous les avertissements de sécurité et toutes les directives. Le non-respect des avertissements et des directives pourrait se solder par un choc électrique, un incendie et/ou une blessure grave.



**AVERTISSEMENT** : afin de réduire le risque de blessures, lire le mode d'emploi de l'outil.

Pour toute question ou remarque au sujet de cet outil ou de tout autre outil CRAFTSMAN composez le numéro sans frais : 1-888-331-4569.

## Ponceuse/Polisseuse avec fil 254 mm (10 po) CMEE100

### AVERTISSEMENTS GÉNÉRAUX SUR LA SÉCURITÉ DES OUTILS



**AVERTISSEMENT :** lisez tous les avertissements de sécurité, toutes les instructions, les illustrations et les caractéristiques fournis avec cet outil électrique. Ne pas suivre toutes les instructions comprises aux présentes peut conduire à un choc électrique, un incendie et/ou des blessures graves.

#### CONSERVER TOUS LES AVERTISSEMENTS ET TOUTES LES DIRECTIVES POUR UN USAGE ULTÉRIEUR

Le terme « outil électrique » cité dans les avertissements se rapporte à votre outil électrique à alimentation sur secteur (avec fil) ou par piles (sans fil).

#### 1) Sécurité du lieu de travail

- Tenir l'aire de travail propre et bien éclairée.**  
Les lieux encombrés ou sombres sont propices aux accidents.
- Ne pas faire fonctionner d'outils électriques dans un milieu déflagrant, tel qu'en présence de liquides, de gaz ou de poussières inflammables.**  
Les outils électriques produisent des étincelles qui pourraient enflammer la poussière ou les vapeurs.
- Éloigner les enfants et les personnes à proximité pendant l'utilisation d'un outil électrique.** Une distraction pourrait en faire perdre la maîtrise à l'utilisateur.

#### 2) Sécurité en matière d'électricité

- Les fiches des outils électriques doivent correspondre à la prise. Ne jamais modifier la fiche d'aucune façon. Ne jamais utiliser de fiche d'adaptation avec un outil électrique mis à la terre.** Le risque de choc électrique sera réduit par l'utilisation de fiches non modifiées correspondant à la prise.
- Éviter tout contact physique avec des surfaces mises à la terre comme des tuyaux, des radiateurs, des cuisinières et des réfrigérateurs.** Le risque de choc électrique est plus élevé si votre corps est mis à la terre.
- Ne pas exposer les outils électriques à la pluie ou à l'humidité.** La pénétration de l'eau dans un outil électrique augmente le risque de choc électrique.
- Ne pas utiliser le cordon de façon abusive. Ne jamais utiliser le cordon pour transporter, tirer ou débrancher un outil électrique. Tenir le cordon éloigné de la chaleur, de l'huile, des bords tranchants et des pièces mobiles.** Les cordons endommagés ou enchevêtrés augmentent les risques de choc électrique.

- Pour l'utilisation d'un outil électrique à l'extérieur, se servir d'une rallonge convenant à cette application.** L'utilisation d'une rallonge conçue pour l'extérieur réduira les risques de choc électrique.
- S'il est impossible d'éviter l'utilisation d'un outil électrique dans un endroit humide, brancher l'outil dans une prise ou sur un circuit d'alimentation dotés d'un disjoncteur de fuite à la terre (GFCI).** L'utilisation de ce type de disjoncteur réduit les risques de choc électrique.

#### 3) Sécurité personnelle

- Être vigilant, surveiller le travail effectué et faire preuve de jugement lorsqu'un outil électrique est utilisé. Ne pas utiliser d'outil électrique en cas de fatigue ou sous l'influence de drogues, d'alcool ou de médicaments.** Un simple moment d'inattention en utilisant un outil électrique peut entraîner des blessures corporelles graves.
- Utiliser des équipements de protection individuelle. Toujours porter une protection oculaire.** L'utilisation d'équipements de protection comme un masque antipoussière, des chaussures antidérapantes, un casque de sécurité ou des protecteurs auditifs lorsque la situation le requiert réduira les risques de blessures corporelles.
- Empêcher les démarrages intempestifs. S'assurer que l'interrupteur se trouve à la position d'arrêt avant de relier l'outil à une source d'alimentation et/ou d'insérer un bloc-piles, de ramasser ou de transporter l'outil.** Transporter un outil électrique alors que le doigt repose sur l'interrupteur ou brancher un outil électrique dont l'interrupteur est à la position de marche risque de provoquer un accident.
- Retirer toute clé de réglage ou clé avant de démarrer l'outil.** Une clé ou une clé de réglage attachée à une partie pivotante de l'outil électrique peut provoquer des blessures corporelles.
- Ne pas trop tendre les bras. Conserver son équilibre en tout temps.** Cela permet de mieux maîtriser l'outil électrique dans les situations imprévues.
- S'habiller de manière appropriée. Ne pas porter de vêtements amples ni de bijoux. Garder les cheveux, les vêtements et les gants à l'écart des pièces mobiles.** Les vêtements amples, les bijoux ou les cheveux longs risquent de rester coincés dans les pièces mobiles.
- Si des composants sont fournis pour le raccordement de dispositifs de dépoussiérage et de ramassage, s'assurer que ceux-ci sont bien raccordés et utilisés.** L'utilisation d'un dispositif de dépoussiérage peut réduire les dangers engendrés par les poussières.

- h) **Ne pas laisser votre connaissance acquise suite l'utilisation fréquente des outils vous permettre de baisser la garde et ignorer les principes de sécurité de l'outil.** Un acte irréfléchi peut causer une blessure grave en une fraction de seconde.

#### 4) Utilisation et entretien d'un outil électrique

- a) **Ne pas forcer un outil électrique. Utiliser l'outil électrique approprié à l'application.** L'outil électrique approprié effectuera un meilleur travail, de façon plus sûre et à la vitesse pour laquelle il a été conçu.
- b) **Ne pas utiliser un outil électrique dont l'interrupteur est défectueux.** Tout outil électrique dont l'interrupteur est défectueux est dangereux et doit être réparé.
- c) **Débranchez la fiche de la prise électrique et, si amovible, retirez le bloc-piles de l'outil avant d'effectuer tout ajustement, changement et entreposage de celui-ci.** Ces mesures préventives réduisent les risques de démarrage accidentel de l'outil électrique.
- d) **Ranger les outils électriques hors de la portée des enfants et ne permettre à aucune personne n'étant pas familière avec un outil électrique ou son mode d'emploi d'utiliser cet outil.** Les outils électriques deviennent dangereux entre les mains d'utilisateurs inexpérimentés.
- e) **Gardez les poignées et surfaces d'emprise propres et libres de tout produit lubrifiant. Vérifier si les pièces mobiles sont mal alignées ou coincées, si des pièces sont brisées ou présentent toute autre condition susceptible de nuire au bon fonctionnement de l'outil électrique. En cas de dommage, faire réparer l'outil électrique avant toute nouvelle utilisation.** Beaucoup d'accidents sont causés par des outils électriques mal entretenus.
- f) **S'assurer que les outils de coupe sont aiguisés et propres.** Les outils de coupe bien entretenus et affûtés sont moins susceptibles de se coincer et sont plus faciles à maîtriser.
- g) **Utiliser l'outil électrique, les accessoires, les forets, etc. conformément aux présentes directives en tenant compte des conditions de travail et du travail à effectuer.** L'utilisation d'un outil électrique pour toute opération autre que celle pour laquelle il a été conçu est dangereuse.
- h) **Garder vos mains et les surfaces de prise sèches, propres et libres de graisse et de poussière.** Les mains et les surfaces de prise glissante ne permettent pas la manutention et le contrôle sécuritaires de l'outil dans les situations imprévues.

#### 5) Réparation

- a) **Faire réparer l'outil électrique par un réparateur professionnel en n'utilisant que des pièces de rechange identiques.** Cela permettra de maintenir une utilisation sécuritaire de l'outil électriques.

## Avertissements de sécurité supplémentaires

- **Tenez l'outil électrique par les surfaces de prise isolées puisque la surface à polir peut entrer en contact avec son propre cordon.** Coupez un câble « sous tension » peut exposer les pièces métalliques de l'outil électrique « sous tension » et pourrait donner un choc électrique à l'utilisateur.
- Si le cordon d'alimentation est endommagé, il doit être remplacé seulement par le fabricant ou par un centre de services autorisé afin d'éviter les risques.
- **Le véhicule doit être propre et sec avant d'utiliser votre ponceuse/polisseuse.** Retirez tout le goudron routier, les taches de graisse excessives et les taches d'insectes.
- Assurez-vous **TOUJOURS** que la surface du véhicule est refroidie avant de laver et d'utiliser la ponceuse/polisseuse.
- **NE PAS** appliquer de la cire directement sur le véhicule.
- Pour éviter des éclaboussures de cire, démarrez et arrêtez **TOUJOURS** la ponceuse/polisseuse sur ou contre la surface à polir.
- Placez la rallonge sur votre épaule pour la garder hors de votre chemin de façon sécuritaire.
- **NE PAS** appliquer de pression excessive contre la surface de travail avec cet outil. La fonction de mouvement orbital aléatoire sur cet outil s'effectuera mieux lorsque moins de pression est appliquée. Appliquer une pression excessive ralentira le mouvement orbital et réduira l'efficacité de l'outil.
- **NE PAS UTILISER DE COMPOSÉS ABRASIFS AVEC CET OUTIL.**

## Consigne de sécurité supplémentaire



**AVERTISSEMENT :** ne jamais modifier l'outil électrique ni aucun de ses composants, car il y a des risques de dommages corporels ou matériels.



**AVERTISSEMENT :** porter **SYSTEMATIQUEMENT** des lunettes de protection. Les lunettes courantes NE sont PAS des lunettes de protection. Utilisez aussi un masque antipoussières si l'opération est poussiéreuse. **PORTER SYSTEMATIQUEMENT UN ÉQUIPEMENT DE SÉCURITÉ HOMOLOGUÉ :**

- Protection oculaire ANSI Z87.1 (CAN/CSA Z94.3) ;
- Protection auditive ANSI S12.6 (S3.19) ;
- Protection des voies respiratoires NIOSH/OSHA/MSHA.



**AVERTISSEMENT :** les scies, meules, ponceuses, perceuses ou autres outils de construction peuvent produire des poussières contenant des produits chimiques reconnus par l'État californien pour causer cancers, malformations congénitales ou être nocifs au système reproducteur. Parmi ces produits chimiques, on retrouve :

- Le plomb dans les peintures à base de plomb ;
- La silice cristallisée dans les briques et le ciment, ou autres produits de maçonnerie ; et

- *L'arsenic et le chrome dans le bois ayant subi un traitement chimique.*

*Le risque associé à de telles expositions varie selon la fréquence à laquelle on effectue ces travaux.*

*Pour réduire toute exposition à ces produits : travailler dans un endroit bien aéré, en utilisant du matériel de sécurité homologué, tel un masque antipoussières spécialement conçu pour filtrer les particules microscopiques.*

- **Limiter toute exposition prolongée avec les poussières provenant du ponçage, sciage, meulage, perçage ou toute autre activité de construction. Porter des vêtements de protection et nettoyer à l'eau savonneuse les parties du corps exposées.** *Le fait de laisser la poussière pénétrer dans la bouche, les yeux ou la peau peut favoriser l'absorption de produits chimiques dangereux.*



**AVERTISSEMENT :** cet outil peut produire et/ou répandre de la poussière susceptible de causer des dommages sérieux et permanents au système respiratoire. Utiliser systématiquement un appareil de protection des voies respiratoires homologué par le NIOSH ou l'OSHA. Diriger les particules dans le sens opposé au visage et au corps.



**AVERTISSEMENT :** pendant l'utilisation, porter systématiquement une protection auditive individuelle adéquate homologuée ANSI S12.6 (S3.19). Sous certaines conditions et suivant la durée d'utilisation, le bruit émanant de ce produit pourrait contribuer à une perte de l'acuité auditive.



**ATTENTION :** après utilisation, ranger l'outil sur son côté, sur une surface stable, là où il ne pourra ni faire trébucher ni faire chuter quelqu'un. Certains outils peuvent tenir à la verticale, mais manquent alors de stabilité.

- **Prendre des précautions à proximité des événements, car ils cachent des pièces mobiles.** *Vêtements amples, bijoux ou cheveux longs risquent de rester coincés dans ces pièces mobiles.*
- **Pour la sécurité de l'utilisateur, utiliser une rallonge de calibre adéquat (AWG, American Wire Gauge [calibrage américain normalisé des fils électriques]).** *Plus le calibre est petit, et plus sa capacité est grande. Un calibre 16, par exemple, a une capacité supérieure à un calibre 18. L'usage d'une rallonge de calibre insuffisant causera une chute de tension qui entraînera perte de puissance et surchauffe. Si plus d'une rallonge est utilisée pour obtenir une certaine longueur, s'assurer que chaque rallonge présente au moins le calibre de fil minimum. Le tableau ci-dessous illustre les calibres à utiliser selon la longueur de rallonge et l'intensité nominale indiquée sur la plaque signalétique. En cas de doute, utiliser le calibre suivant. Plus le calibre est petit, plus la rallonge peut supporter de courant.*

**Calibre minimum pour les cordons d'alimentation**

Volts	Longueur totale du cordon d'alimentation en mètre (pieds)				
	7,6 (25)	15,2 (50)	30,5 (100)	45,7 (150)	
120 V	7,6 (25)	15,2 (50)	30,5 (100)	45,7 (150)	
240 V	15,2 (50)	30,5 (100)	61,0 (200)	91,4 (300)	
Ampères		AWG			
Plus que	Pas plus que				
0	6	18	16	16	14
6	10	18	16	14	12
10	12	16	16	14	12
12	16	14	12	Non recommandé	

L'étiquette apposée sur votre outil peut inclure les symboles suivants. Les symboles et leur définition sont indiqués ci-après :

- V ..... volts
- Hz ..... hertz
- min ..... minutes
- — — or DC..... courant continu
- Ⓢ ..... fabrication classe I (mis à la terre)
- Ⓢ ..... fabrication classe II (double isolation)
- ... /min..... par minute
- BPM..... battements par minute
- IPM..... impacts par minute
- RPM..... révolutions par minute
- sfpm (plpm)..... pieds linéaires par minute
- SPM (FPM)..... fréquence par minute
- OPM..... oscillations por minuto
- A ..... ampères
- IPXX ..... symbole IP
- W ..... watts
- ~ or AC..... courant alternatif
- Ⓢ or AC/DC..... courant alternatif ou continu
- Ⓢ ..... vitesse à vide
- n ..... vitesse nominale
- Ⓢ ..... borne de terre
- ⚠ ..... symbole d'avertissement
- ⚠ ..... radiation visible
- Ⓢ ..... protection respiratoire
- Ⓢ ..... protection oculaire
- Ⓢ ..... protection auditive
- Ⓢ ..... lire toute la documentation

**CONSERVER CES CONSIGNES POUR UTILISATION ULTÉRIEURE**

**Moteur**

S'assurer que le bloc d'alimentation est compatible avec l'inscription de la plaque signalétique. Une diminution de tension de plus de 10 % provoquera une perte de puissance et une surchauffe. Les outils DeWALT sont testés en usine ; si cet outil ne fonctionne pas, vérifier l'alimentation électrique. Votre ponceuse/polisseuse CRAFTSMAN un moteur électrique de précision intégré et elle doit être connectée à une alimentation en CA 120 volts 60 Hz SEULEMENT (courant domestique normal). NE PAS utiliser sur un courant continu (CC). Une forte baisse de tension entraînera une perte de puissance et la surchauffe du moteur. Si l'outil ne fonctionne pas lorsqu'il est branché dans une bonne prise CA 120 volts 60-Hz SEULEMENT, vérifiez l'alimentation. Cette ponceuse/polisseuse a un cordon d'alimentation à 2 lames (aucun adaptateur nécessaire).

## Usage prévu

Cette ponceuse/polisseuse est conçue seulement à des fins de ponçage et polissage résidentiel.

**NE PAS** les utiliser en milieu ambiant humide ou en présence de liquides ou de gaz inflammables.

**NE PAS** le laisser à la portée des enfants. Une supervision est nécessaire auprès de tout utilisateur non expérimenté.

### SPÉCIFICATIONS

Diamètre du patin	254 mm (10 po)
Moteur OPM	2800
Rating	120 volts, 60 Hz AC
Amplis	1

## ASSEMBLAGE ET AJUSTEMENTS

**⚠ AVERTISSEMENT :** afin de réduire le risque de blessure corporelle, éteignez l'appareil et débranchez-le la source d'alimentation avant d'effectuer tout ajustement ou de retirer/installer des pièces ou des accessoires. Un déclenchement accidentel du démarrage peut causer des blessures.

### Cadran de vitesse (Fig. A)

Le cadran de vitesse **5** change la vitesse de la ponceuse/polisseuse. Tournez le cadran vers l'avant pour augmenter la vitesse ou vers l'arrière pour réduire la vitesse. 1 est le réglage le plus bas et 4 est le réglage le plus élevé.

## FONCTIONNEMENT

**⚠ AVERTISSEMENT :** afin de réduire le risque de blessure corporelle, éteignez l'appareil et débranchez-le la source d'alimentation avant d'effectuer tout ajustement ou de retirer/installer des pièces ou des accessoires. Un déclenchement accidentel du démarrage peut causer des blessures.

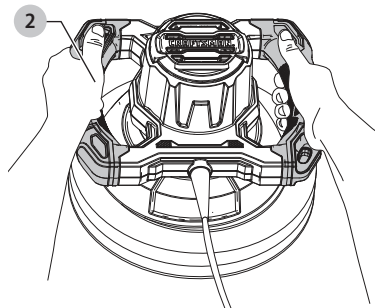
### Position correcte des mains (Fig. B)

**⚠ AVERTISSEMENT :** pour réduire tout risque de dommages corporels graves, adopter **SYSTÉMATIQUEMENT** la position des mains illustrée.

**⚠ AVERTISSEMENT :** pour réduire tout risque de dommages corporels graves, maintenir **SYSTÉMATIQUEMENT** l'outil fermement pour anticiper toute réaction soudaine.

Une position des mains appropriée nécessite les deux mains sur la poignée du périmètre **2**.

Fig. B



## Fixer le tampon de l'applicateur de cire et appliquer la cire (Fig. C, D)

**⚠ AVERTISSEMENT :** s'il manque des pièces, NE PAS utiliser cette ponceuse/polisseuse jusqu'à ce que les pièces manquantes soient remplacées. Ne pas le faire pourrait entraîner de possibles blessures corporelles graves.

1. Fixez le tampon de l'applicateur de cire **6** dans la base du coussin en mousse **4** comme illustré dans la Figure C. Assurez-vous TOUJOURS que la bande élastique en bas du tampon est bien rentrée sous le coussin en mousse.
2. À l'aide d'un couteau à mastic ou d'un autre objet plat, appliquez la cire en pâte sur le tampon en étalant une cuiller à thé de cire uniformément sur toute la surface du tampon de l'applicateur de la cire comme illustré dans la Figure D.

**IMPORTANT :** ne pas appliquer de la cire directement sur le véhicule.

3. Appliquez trois jets de cire sur le tampon de l'applicateur. Cela devrait être suffisant pour couvrir 1/4 de la surface du véhicule.
4. Lors de la deuxième, la troisième et la quatrième application, utilisez seulement environ la moitié de la première application. Le tampon n'absorbera pas autant de cire lors de ces applications.

Fig. C

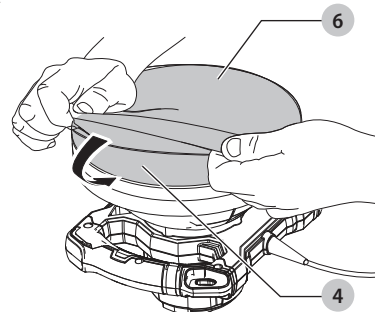
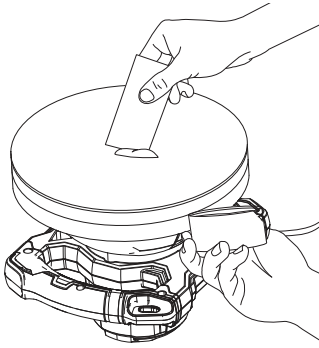


Fig. D



## Cirer le véhicule (Fig. A, E)

1. Avant de commencer à cirer, poncer et cirer votre véhicule, retirez tout le goudron routier, les taches de graisse excessives et les taches d'insectes avec un nettoyant tout usage. Séchez votre véhicule.
2. Après avoir branché la rallonge, placez-la sur votre épaule pour la garder hors de votre chemin de façon sécuritaire.
3. Placez la ponceuse/polisseuse contre le véhicule et mettez-la en marche en glissant le bouton en position Marche. Pour éviter des éclaboussures de cire, démarrez et arrêtez TOUJOURS la ponceuse/polisseuse contre la surface à polir.
4. Commencez le ponçage à basse vitesse, puis augmentez la vitesse à l'aide du cadran de vitesse 5.
5. Appliquez la cire en ligne droite avec un mouvement d'un côté à l'autre ou de l'avant vers l'arrière. Effectuez TOUJOURS de grands mouvements égaux lorsque vous appliquez la cire. Appliquez la cire en une couche mince égale. Trop de cire n'ajoute pas de protection supplémentaire et cela rend seulement la cire plus difficile à enlever.
6. Appliquez d'abord la cire sur les surfaces plates (capot, coffre et toit). Cirez une section à la fois.
7. Une fois les surfaces plates couvertes, cirez les côtés. Il est plus facile d'appliquer la cire sur toute la surface avant de commencer à l'enlever; cependant, suivez les recommandations spécifiques pour la cire étant utilisée.
8. Lorsque vous avez terminé d'appliquer la cire avec le tampon de l'applicateur, ÉTEIGNEZ la ponceuse/polisseuse avant de l'enlever de la surface du véhicule.

**REMARQUE :** NE PAS appliquer trop de cire sur le tampon. Appliquer trop de cire fait en sorte que le tampon devient saturé et il ne durera pas aussi longtemps. CELA REND LE POLISSAGE PLUS DIFFICILE ET IL PREND PLUS DE TEMPS.

**REMARQUE :** si le tampon se retire constamment de la base coussinée, vous utilisez peut-être trop de cire.

**REMARQUE :** si le ponçage semble difficile, vous avez utilisé trop de cire.

**IMPORTANT :** NE PAS appliquer de pression excessive contre la surface de travail avec cet outil. La fonction de mouvement orbital aléatoire sur cet outil s'effectuera mieux lorsque moins de pression est appliquée. Appliquer une pression excessive ralentira le mouvement orbital et réduira l'efficacité de l'outil.

**IMPORTANT :** les tampons de l'applicateur de cire doivent seulement être utilisés une fois, puis jetés de façon appropriée.

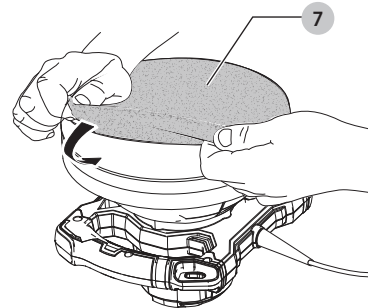
Fig. E



## Fixer le tampon de polissage au coussin en mousse (Fig. F)

1. Placez le tampon en ratine 7 sur le coussin en mousse comme illustré dans la Figure F.
2. Assurez-vous TOUJOURS que la bande élastique en bas du tampon est bien rentrée sous le coussin en mousse.

Fig. F



## Ponçage et polissage

**AVIS :** vous devez être très prudent lorsque vous effectuez le polissage autour ou sur des objets coupants et les contours de la carrosserie. Il est très important d'utiliser la bonne pression durant le polissage les diverses sections de la carrosserie. Par exemple, une légère pression doit être appliquée lorsque vous polissez sur les bords coupants des

*panneaux de la carrosserie ou sur les bords de la gouttière le long de la partie supérieure.*

1. Attendez que la cire soit complètement sèche sur le véhicule.
2. Placez la rallonge sur votre épaule.
3. Mettez la ponceuse/polisseuse en marche.

**IMPORTANT** : NE PAS appliquer de pression excessive contre la surface de travail avec cet outil. La fonction de mouvement orbital aléatoire sur cet outil s'effectuera mieux lorsque moins de pression est appliquée. Appliquer une pression excessive ralentira le mouvement orbital et réduira l'efficacité de l'outil.

**REMARQUE** : pour de meilleurs résultats, faites de longs mouvements en balayant en croisé lorsque vous enlevez la cire.

4. Poncez et polissez toute la surface jusqu'à ce que toute la cire séchée soit retirée. Retirez de temps en temps le tampon et secouez les résidus de cire séchés. Un tampon avec un excès de résidus causera des stries. Vous devrez peut-être remplacer le tampon par un nouveau si vous ne pouvez pas le garder suffisamment propre pour éviter les stries.

## Conseils sur l'entretien du véhicule

- Lavez et polissez le véhicule 3 à 4 fois par année afin d'aider à assurer la protection de la peinture.
- Lavez le véhicule au moins toutes les 2 semaines avec une solution de nettoyage pour véhicules qui ne nuira pas au fini ou n'enlèvera pas la cire. ÉVITEZ de laver avec des détergents ménagers.
- Lavez avec une éponge propre et essuyez avec un linge en ratine pour aider à empêcher la saleté de rayer la peinture. Commencez sur le dessus et travaillez vers le bas.
- Retirez les insectes, les fientes d'oiseaux, la sève d'arbres et le goudron provenant de la surface du véhicule quotidiennement.
- Assurez-vous TOUJOURS que la surface du véhicule est refroidie avant de laver.
- Évitez de vous stationner près de gicleurs parce que les taches d'eau sont difficiles à enlever.
- Gardez les nettoyeurs chimiques pour vitres hors de portée des surfaces peintes. Vaporisez le nettoyeur sur un linge, PAS directement sur les vitres.

## MAINTENANCE

**AVERTISSEMENT** : afin de réduire le risque de blessure corporelle, éteignez l'appareil et débranchez-le la source d'alimentation avant d'effectuer tout ajustement ou de retirer/installer des pièces ou des accessoires. Un déclenchement accidentel du démarrage peut causer des blessures.

## Accessoires



**AVERTISSEMENT** : puisque les accessoires autres que ceux offerts par CRAFTSMAN n'ont pas été testés avec ce produit, leur utilisation pourrait s'avérer dangereuse. Pour réduire le risque de blessures, utiliser exclusivement les accessoires CRAFTSMAN recommandés avec le présent produit.

Les accessoires recommandés pour cet outil sont vendus séparément au centre de service de votre région. Pour obtenir de l'aide concernant l'achat d'un accessoire, communiquer avec CRAFTSMAN **1-888-331-4569**.

## Nettoyage



**AVERTISSEMENT** : enlever les saletés et la poussière hors des événements au moyen d'air comprimé propre et sec, au moins une fois par semaine. Pour minimiser le risque de blessure aux yeux, toujours porter une protection oculaire conforme à la norme ANSI Z87.1 lors du nettoyage.



**AVERTISSEMENT** : ne jamais utiliser de solvants ni d'autres produits chimiques puissants pour nettoyer les pièces non métalliques de l'outil. Ces produits chimiques peuvent affaiblir les matériaux de plastique utilisés dans ces pièces. Utiliser un chiffon humecté uniquement d'eau et de savon doux. Ne jamais laisser de liquide pénétrer dans l'outil et n'immerger aucune partie de l'outil dans un liquide.

Les tampons en ratine, le tampon de polissage et le coussin de l'applicateur manuel peuvent tous être lavés à la machine à l'eau froide en utilisant une petite quantité de détergent. Séchez à la machine à température moyenne. CEPENDANT, nous recommandons un lavage à la main et un séchage à l'air pour durée de vie plus du tampon.

## Réparations



**AVERTISSEMENT** : pour assurer la SÉCURITÉ et la FIABILITÉ du produit, les réparations, l'entretien et les réglages doivent être réalisés (cela comprend l'inspection et le remplacement du balai, le cas échéant) par un centre de réparation en usine CRAFTSMAN ou un centre de réparation agréé CRAFTSMAN. Toujours utiliser des pièces de rechange identiques.

## Entreposage

Retirez le tampon du coussin en mousse lorsque la ponceuse/polisseuse n'est pas utilisée afin que le coussin sèche et qu'il conserve sa forme originale.

Pour prolonger la vie du coussin en mousse, entreposez la ponceuse/polisseuse avec le coussin vers le haut.

## Registreen ligne

Merci pour votre achat. Enregistrez dès maintenant votre produit :

- **RÉPARATIONS SOUS GARANTIE**: cette carte remplie vous permettra de vous prévaloir du service de réparations sous garantie de façon plus efficace dans le cas d'un problème avec le produit.



- **CONFIRMATION DE PROPRIÉTÉ:** en cas de perte provoquée par un incendie, une inondation ou un vol, cette preuve de propriété vous servira de preuve auprès de votre compagnie d'assurances.
- **SÉCURITÉ:** l'enregistrement de votre produit nous permettra de communiquer avec vous dans l'éventualité peu probable de l'envoi d'un avis de sécurité régi par la loi fédérale américaine de la protection des consommateurs.

Registre en ligne à [www.craftsman.com/registration](http://www.craftsman.com/registration)

## Garantie limitée de trois ans

CRAFTSMAN réparera ou remplacera sans frais tout appareil défectueux pour cause de défaut de matériau ou de main-d'œuvre sur une période de trois ans à partir de la date d'achat de l'outil. Cette garantie ne couvre pas les pièces en panne pour cause d'abus ou d'usure normale de l'outil. Pour plus de détails au sujet de la couverture de la garantie et l'information de réparation sous garantie, visitez [www.craftsman.com](http://www.craftsman.com) ou composez le **1-888-331-4569**.

Cette garantie ne s'applique pas aux accessoires ou dommages causés par des réparations effectuées ou tentées par d'autres. CETTE GARANTIE REMPLACE TOUTES LES AUTRES, INCLUANT LES GARANTIES IMPLICITES DE LA QUALITÉ MARCHANDE ET L'APTITUDE POUR UN BUT PARTICULIER, ET EXCLUT TOUS LES DOMMAGES ACCIDENTELS OU CONSÉCUTIFS. Certaines provinces ne permettent pas de limitation sur la durée de la garantie implicite ou l'exclusion ou la limitation de dommages indirects, alors ces limitations peuvent ne pas s'appliquer à vous. Cette garantie vous donne des droits légaux particuliers et vous pouvez avoir d'autres droits qui varient selon les états ou les provinces.

### GARANTIE DE REMBOURSEMENT DE 90 JOURS

Si l'acheteur n'est pas entièrement satisfait, pour quelque raison que ce soit, du rendement de l'outil électrique ou de la cloueuse CRAFTSMAN, celui-ci peut le retourner, accompagné d'un reçu, dans les 90 jours à compter de la date d'achat pour obtenir un remboursement intégral, sans aucun problème.

**AMÉRIQUE LATINE :** cette garantie ne s'applique aux produits vendus en Amérique latine. Pour ceux-ci, veuillez consulter les informations relatives à la garantie spécifique présente dans l'emballage, appeler l'entreprise locale ou consulter le site Web pour les informations relatives à cette garantie.

### REMPLACEMENT GRATUIT DES ÉTIQUETTES

**D'AVERTISSEMENT :** si les étiquettes d'avertissement deviennent illisibles ou sont manquantes, composer le **1-888-331-4569** pour en obtenir le remplacement gratuit.

## Definiciones: Símbolos y Palabras de Alerta de Seguridad

Este manual de instrucciones utiliza los siguientes símbolos y palabras de alerta de seguridad para alertarle de situaciones peligrosas y del riesgo de lesiones corporales o daños materiales.



**PELIGRO:** Indica una situación de peligro inminente que, si no se evita, provocará **la muerte o lesiones graves**.



**ADVERTENCIA:** Indica una situación de peligro potencial que, si no se evita, **podría provocar la muerte o lesiones graves**.



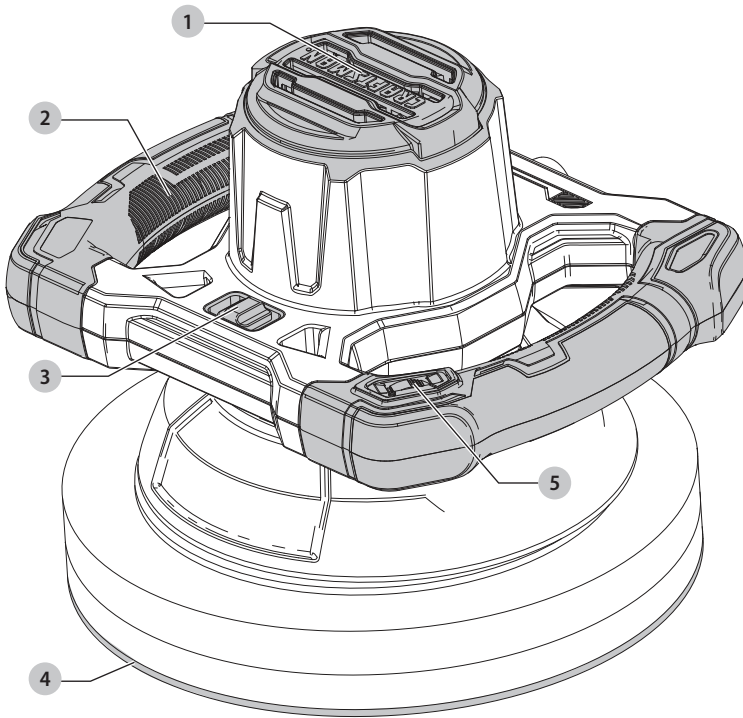
**ATENCIÓN:** Indica una situación de peligro potencial que, si no se evita, **posiblemente provocaría lesiones leves o moderadas**.



(Utilizado sin palabras) indica un mensaje de seguridad relacionado.

**AVISO:** Se refiere a una práctica **no relacionada a lesiones corporales** que de no evitarse **puede resultar en daños a la propiedad**.

Fig. A



### COMPONENTES

- 1 Tapa superior plana anti-marcas
- 2 Sistema de manija perimetral
- 3 Interruptor deslizable On/Off (Encendido/Apagado)
- 4 Base de almohadilla de espuma
- 5 Carátula de velocidad



**ADVERTENCIA:** Lea todas las advertencias de seguridad e instrucciones. El incumplimiento de las advertencias e instrucciones puede provocar descargas eléctricas, incendios o lesiones graves.



**ADVERTENCIA:** Para reducir el riesgo de lesiones, lea el manual de instrucciones.

Si tiene alguna duda o algún comentario sobre ésta u otra herramienta CRAFTSMAN llámenos al número gratuito: 1-888-331-4569.

## Pulidora Alámbrica de 254 mm (10") CMEE100

### ADVERTENCIAS GENERALES DE SEGURIDAD PARA HERRAMIENTAS ELÉCTRICAS



**ADVERTENCIA:** Lea todas las advertencias de seguridad, instrucciones, ilustraciones y especificaciones incluidas con esta herramienta eléctrica. La falla en seguir todas las instrucciones siguientes puede resultar en descarga eléctrica, incendio y/o lesiones serias.

### CONSERVE TODAS LAS ADVERTENCIAS E INSTRUCCIONES PARA FUTURAS CONSULTAS

El término "herramienta eléctrica" incluido en las advertencias hace referencia a las herramientas eléctricas operadas con corriente (con cable eléctrico) o a las herramientas eléctricas operadas con baterías (inalámbricas).

#### 1) Seguridad en el Área de Trabajo

- Mantenga el área de trabajo limpia y bien iluminada.** Las áreas abarrotadas y oscuras propician accidentes.
- No opere las herramientas eléctricas en atmósferas explosivas, como ambientes donde haya polvo, gases o líquidos inflamables.** Las herramientas eléctricas originan chispas que pueden encender el polvo o los vapores.
- Mantenga alejados a los niños y a los espectadores de la herramienta eléctrica en funcionamiento.** Las distracciones pueden provocar la pérdida de control.

#### 2) Seguridad Eléctrica

- Los enchufes de la herramienta eléctrica deben adaptarse al tomacorriente. Nunca modifique el enchufe de ninguna manera. No utilice ningún enchufe adaptador con herramientas eléctricas con conexión a tierra.** Los enchufes no modificados y que se adaptan a los tomacorrientes reducirán el riesgo de descarga eléctrica.
- Evite el contacto corporal con superficies con descargas a tierra como, por ejemplo, tuberías, radiadores, cocinas eléctricas y refrigeradores.** Existe mayor riesgo de descarga eléctrica si su cuerpo está puesto a tierra.
- No exponga las herramientas eléctricas a la lluvia o a condiciones de humedad.** Si entra agua a una herramienta eléctrica, aumentará el riesgo de descarga eléctrica.
- No maltrate el cable. Nunca utilice el cable para transportar, tirar o desenchufar la herramienta eléctrica. Mantenga el cable alejado del calor, el aceite, los bordes filosos y las piezas móviles.** Los cables dañados o enredados aumentan el riesgo de descarga eléctrica.

- Al operar una herramienta eléctrica en el exterior, utilice un cable prolongador adecuado para tal uso.** Utilice un cable adecuado para uso en exteriores a fin de reducir el riesgo de descarga eléctrica.
- Si el uso de una herramienta eléctrica en un lugar húmedo es imposible de evitar, utilice un suministro protegido con un interruptor de circuito por falla a tierra (GFCI).** El uso de un GFCI reduce el riesgo de descargas eléctricas.

#### 3) Seguridad Personal

- Permanezca alerta, controle lo que está haciendo y utilice el sentido común cuando emplee una herramienta eléctrica. No utilice una herramienta eléctrica si está cansado o bajo el efecto de drogas, alcohol o medicamentos.** Un momento de descuido mientras se opera una herramienta eléctrica puede provocar lesiones personales graves.
- Utilice equipos de protección personal. Siempre utilice protección para los ojos.** En las condiciones adecuadas, el uso de equipos de protección, como máscaras para polvo, calzado de seguridad antideslizante, cascos o protección auditiva, reducirá las lesiones personales.
- Evite el encendido por accidente. Asegúrese de que el interruptor esté en la posición de apagado antes de conectarlo a la fuente de energía o paquete de baterías, o antes de levantar o transportar la herramienta.** Transportar herramientas eléctricas con el dedo apoyado en el interruptor o enchufar herramientas eléctricas con el interruptor en la posición de encendido puede propiciar accidentes.
- Retire la clavija de ajuste o la llave de tuercas antes de encender la herramienta eléctrica.** Una llave de tuercas o una clavija de ajuste que quede conectada a una pieza giratoria de la herramienta eléctrica puede provocar lesiones personales.
- No se estire. Conserve el equilibrio y párese adecuadamente en todo momento.** Esto permite un mejor control de la herramienta eléctrica en situaciones inesperadas.
- Use la vestimenta adecuada. No use ropas holgadas ni joyas. Mantenga el cabello, la ropa y los guantes alejados de las piezas en movimiento.** Las ropas holgadas, las joyas o el cabello largo pueden quedar atrapados en las piezas en movimiento.
- Si se suministran dispositivos para la conexión de accesorios con fines de recolección y extracción de polvo, asegúrese de que estén conectados y que se utilicen correctamente.** El

uso de dispositivos de recolección de polvo puede reducir los peligros relacionados con el polvo.

- h) **No permita que la familiaridad obtenida a partir del uso frecuente de herramientas le permitan volverse descuidado e ignorar los principios de seguridad de la herramienta.** Una acción descuidada puede causar lesiones severas en una fracción de segundo.

#### 4) Uso y Mantenimiento de la Herramienta Eléctrica

- a) **No fuerce la herramienta eléctrica. Utilice la herramienta eléctrica correcta para el trabajo que realizará.** Si se la utiliza a la velocidad para la que fue diseñada, la herramienta eléctrica correcta permite trabajar mejor y de manera más segura.
- b) **No utilice la herramienta eléctrica si no puede encenderla o apagarla con el interruptor.** Toda herramienta eléctrica que no pueda ser controlada mediante el interruptor es peligrosa y debe repararse.
- c) **Desconecte el enchufe de la fuente de alimentación y/o retire la batería, o paquete si es desmontable, de la herramienta eléctrica antes de realizar cualquier ajuste, cambiar accesorios o almacenar herramientas eléctricas.** Estas medidas de seguridad preventivas reducen el riesgo de encender la herramienta eléctrica en forma accidental.
- d) **Guarde la herramienta eléctrica que no esté en uso fuera del alcance de los niños y no permita que otras personas no familiarizadas con ella o con estas instrucciones operen la herramienta.** Las herramientas eléctricas son peligrosas si son operadas por usuarios no capacitados.
- e) **Dé mantenimiento a las herramientas eléctricas y accesorios. Revise que no haya piezas en movimiento mal alineadas o trabadas, piezas rotas o cualquier otra situación que pueda afectar el funcionamiento de la herramienta eléctrica. Si encuentra daños, haga reparar la herramienta eléctrica antes de utilizarla.** Se producen muchos accidentes a causa de las herramientas eléctricas que carecen de un mantenimiento adecuado.
- f) **Mantenga las herramientas de corte afiladas y limpias.** Las herramientas de corte con mantenimiento adecuado y con los bordes de corte afilados son menos propensas a trabarse y son más fáciles de controlar.
- g) **Utilice la herramienta eléctrica, los accesorios y las brocas de la herramienta, etc. de acuerdo con estas instrucciones y teniendo en cuenta las condiciones de trabajo y el trabajo que debe realizarse.** El uso de la herramienta eléctrica para operaciones diferentes de aquéllas para las que fue diseñada podría originar una situación peligrosa.
- h) **Mantenga las manijas y superficies de sujeción secas, limpias y libres de aceite y grasa.**

Las manijas y superficies de sujeción resbalosas no permiten el manejo y control seguros de la herramienta en situaciones inesperadas.

#### 5) Mantenimiento

- a) **Solicite a una persona calificada en reparaciones que realice el mantenimiento de su herramienta eléctrica y que sólo utilice piezas de repuesto idénticas.** Esto garantizará la seguridad de la herramienta eléctrica.

#### Advertencias de Seguridad Adicionales

- **Sostenga la herramienta eléctrica por las superficies de sujeción aisladas, debido a que la superficie de pulido puede hacer contacto con su propio cableado.** Cortar un cable "vivo" pueden hacer que partes de metal expuestas de la herramienta eléctrica se vuelvan "vivas" y podrían dar al operador una descarga eléctrica.
- Si el cable de alimentación está dañado, debe ser reemplazado sólo por el fabricante o por un centro de servicio autorizado para evitar riesgos.
- **El vehículo debe estar limpio y seco antes de usar su pulidora.** Retire todo el alquitrán de la carretera, el exceso de manchas de grasa y las manchas de insectos.
- **SIEMPRE asegúrese que la superficie del vehículo esté fría antes de lavar y usar la pulidora.**
- **NO aplique la cera directamente sobre el vehículo.**
- Para evitar salpicar la cera, SIEMPRE arranque y detenga la pulidora en o contra la superficie a pulir.
- Coloque el cable de extensión sobre su hombro para mantenerlo fuera de su camino.
- **NO aplique una presión excesiva contra la superficie de trabajo con esta herramienta.** La función de movimiento orbital aleatorio en esta herramienta funcionará mejor cuando se aplique menos presión. La aplicación de una presión excesiva retardará el movimiento orbital aleatorio y reducirá la efectividad de la herramienta.
- **NO USE COMPUESTOS ABRASIVOS CON ESTA HERRAMIENTA.**

#### Instrucción Adicional de Seguridad



**ADVERTENCIA:** Nunca modifique la herramienta eléctrica, ni tampoco ninguna de sus piezas. Podría producir lesiones corporales o daños.



**ADVERTENCIA:** Use SIEMPRE lentes de seguridad. Los anteojos de diario NO SON lentes de seguridad. Utilice además una cubrebocas o mascarilla antipolvo si la operación de corte genera demasiado polvo. SIEMPRE LLEVE EQUIPO DE SEGURIDAD CERTIFICADO:

- protección ocular ANSI Z87.1 (CAN/CSA Z94.3),
- protección auditiva ANSI S12.6 (S3.19),
- protección respiratoria NIOSH/OSHA/MSHA.



**ADVERTENCIA:** Algunas partículas de polvo generadas al lijar, serrar, esmerilar y taladrar con herramientas eléctricas, así como al realizar otras actividades de construcción, contienen químicos que el Estado de California sabe que pueden producir

cáncer, defectos congénitos u otras afecciones reproductivas. Ejemplos de estos químicos son:

- plomo de algunas pinturas en base a plomo,
- polvo de sílice proveniente de ladrillos y cemento y otros productos de albañilería, y
- arsénico y cromo provenientes de madera tratada químicamente.

Su riesgo de exposición a estos químicos varía, dependiendo de la frecuencia con la cual realiza usted este tipo de trabajo. Para reducir su exposición a estas sustancias químicas: trabaje en una zona bien ventilada y llevando equipos de seguridad aprobados, como mascarillas antipolvo especialmente diseñadas para filtrar partículas microscópicas.

- **Evite el contacto prolongado con polvo generado por el lijado, aserrado, pulido, taladrado y otras actividades de construcción. Vista ropas protectoras y lave las áreas de la piel expuestas con agua y jabón.** Si permite que el polvo se introduzca en la boca u ojos o quede sobre la piel, puede favorecer la absorción de productos químicos peligrosos.



**ADVERTENCIA:** La utilización de esta herramienta puede generar polvo o dispersarlo, lo que podría causar daños graves y permanentes al sistema respiratorio, así como otras lesiones. Siempre use protección respiratoria aprobada por NIOSH (Instituto Nacional de Seguridad y Salud en el Trabajo) u OSHA (Administración de Seguridad y Salud en el Trabajo) apropiada para la exposición al polvo. Dirija las partículas en dirección contraria a la cara y el cuerpo.



**ADVERTENCIA:** Siempre lleve la debida protección auditiva personal en conformidad con ANSI S12.6 (S3.19) durante el uso de esta herramienta. Bajo algunas condiciones y duraciones de uso, el ruido producido por este producto puede contribuir a la pérdida auditiva.



**ATENCIÓN:** Cuando no esté en uso, guarde la herramienta apoyada en un costado sobre una superficie estable, donde no interrumpa el paso o provoque una caída. Algunas herramientas pueden colocarse paradas, pero pueden caerse fácilmente.

- **Los orificios de ventilación suelen cubrir piezas en movimiento, por lo que también se deben evitar.** Las piezas en movimiento pueden atrapar prendas de vestir sueltas, joyas o el cabello largo.
- **Los hilos del alargador deben ser de un calibre apropiado (AWG o American Wire Gauge) para su seguridad.** Mientras menor sea el calibre del hilo, mayor la capacidad del cable. Es decir, un hilo calibre 16 tiene mayor capacidad que uno de 18. Un cable de un calibre insuficiente causará una caída en la tensión de la línea dando por resultado una pérdida de energía y sobrecalentamiento. Cuando se utilice más de un alargador para completar el largo total, asegúrese que los hilos de cada alargador tengan el calibre mínimo. La tabla siguiente muestra el tamaño correcto a utilizar,

dependiendo de la longitud del cable y del amperaje nominal de la placa de identificación. Si tiene dudas sobre cuál calibre usar, use un calibre mayor. Cuanto menor sea el número del calibre, más resistente será el cable.

**Calibre mínimo de conjuntos de cables**

Voltios	Longitud total del cable en pies (metros)				
	120 V	25 (7,6)	50 (15,2)	100 (30,5)	150 (45,7)
240 V	50 (15,2)	100 (30,5)	200 (61,0)	300 (91,4)	
Amperaje nominal	AWG				
	Más de	Más de	Más de	Más de	Más de
0	6	18	16	16	14
6	10	18	16	14	12
10	12	16	16	14	12
12	16	14	12		No recomendado

La etiqueta de su herramienta puede incluir los siguientes símbolos. A continuación se indican los símbolos y sus definiciones:

- V ..... voltios
- Hz ..... hertz
- min ..... minutos
- — — or DC..... direct current
- Ⓧ ..... Construcción de Clase I (tierra)
- ... /min..... por minuto
- BPM ..... golpes por minuto
- IPM ..... impactos por minuto
- RPM ..... revoluciones por minuto
- sfpm ..... pies de superficie por minuto
- SPM ..... pasadas por minuto
- OPM..... oscilaciones por minuto
- A ..... amperios
- W ..... vatios
- ~ or AC..... corriente alterna
- ⎓ or AC/DC ... corriente alterna o directa
- Ⓜ ..... Construcción de Clase II (doble aislamiento)
- n<sub>0</sub> ..... velocidad sin carga
- IPXX..... símbolo IP
- n ..... velocidad nominal
- Ⓧ ..... terminal de conexión a tierra
- ⚠ ..... símbolo de advertencia de seguridad
- ☠ ..... radiación visible
- ☎ ..... protección respiratoria
- 👁 ..... protección ocular
- 👂 ..... protección auditiva
- 📖 ..... lea toda la documentación

**GUARDE ESTAS INSTRUCCIONES PARA VOLVER A CONSULTAR EN EL FUTURO**

**Motor**

Asegúrese de que la fuente de energía concuerde con lo que se indica en la placa. Un descenso en el voltaje de más del 10% producirá una pérdida de potencia y sobrecalentamiento. Todas las herramientas DeWALT son probadas en fábrica; si esta herramienta no funciona, verifique el suministro eléctrico.

Su pulidora CRAFTSMAN tiene un motor eléctrico fabricado con precisión y debe estar conectado a una fuente de alimentación de 120 voltios, 60 Hz CA ÚNICAMENTE (corriente doméstica normal). NO opere en corriente directa (CD). La gran caída de voltaje causará una pérdida

## ESPAÑOL

de potencia y el motor se sobrecalentará. Si la herramienta no funciona cuando está conectada en el tomacorriente de 120 voltios CA y 60 Hz ÚNICAMENTE, verifique la fuente de alimentación. Esta pulidora tiene un cable de alimentación de 2 hilos (no se necesita adaptador).

### Uso Debido

Esta pulidora está destinada únicamente para pulido residencial.

**NO** utilice la herramienta en condiciones de humedad o en presencia de líquidos o gases inflamables.

**NO** permita que los niños toquen la herramienta. Si el operador no tiene experiencia operando esta herramienta, su uso deberá ser supervisado.

### ESPECIFICACIONES

Diámetro del disco	254 mm (10")
Velocidad sin carga	2800
Potencia nominal	120 voltios, 60 Hz AC
Amperios	1

### MONTAJE Y AJUSTES

**⚠️ ADVERTENCIA:** Para reducir el riesgo de lesiones personales, apague la unidad y desconéctela de la fuente de energía antes de realizar cualquier ajuste o retirar/instalar conexiones o accesorios. Una activación de arranque accidental puede causar lesiones.

### Carátula de Velocidad (Fig. A)

La carátula de velocidad **5** cambia la velocidad de la pulidora. Gire la carátula hacia adelante para aumentar la velocidad o hacia atrás para disminuirla. 1 es el ajuste más bajo y 4 es el ajuste más alto.

### OPERACIÓN

**⚠️ ADVERTENCIA:** Para reducir el riesgo de lesiones personales, apague la unidad y desconéctela de la fuente de energía antes de realizar cualquier ajuste o retirar/instalar conexiones o accesorios. Una activación de arranque accidental puede causar lesiones..

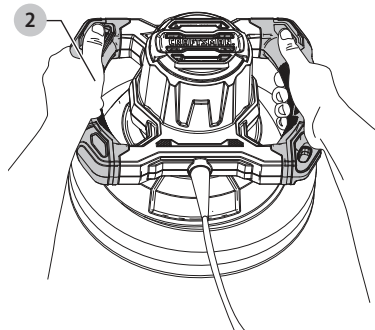
### Posición Adecuada de las Manos (Fig. B)

**⚠️ ADVERTENCIA:** Para reducir el riesgo de lesión personal grave, tenga **SIEMPRE** las manos en una posición adecuada como se muestra.

**⚠️ ADVERTENCIA:** Para reducir el riesgo de lesión personal grave, sujete **SIEMPRE** bien en caso de que haya una reacción repentina.

La posición correcta de las manos requiere ambas manos en la manija perimetral **2**.

Fig. B



### Colocación de Cubierta del Aplicador de Cera y Aplicación de Cera (Fig. C, D)

**⚠️ ADVERTENCIA:** Si falta alguna pieza, NO opere esta pulidora hasta que se reemplacen las piezas faltantes. De lo contrario, podrían producirse lesiones personales graves.

1. Acople la cubierta del aplicador de cera **6** a la base de la almohadilla de espuma **4** como se muestra en la Figura C. SIEMPRE asegúrese que la tira elástica en la parte inferior de la cubierta esté bien colocada en la parte inferior de la almohadilla de espuma.
2. Con una espátula o cualquier otro objeto plano, aplique pasta de cera a la cubierta extendiendo una cucharadita de cera uniformemente sobre toda la superficie de la cubierta aplicadora de cera como se muestra en la Figura D.

**IMPORTANTE:** No aplique la cera directamente sobre el vehículo.

3. Aplique tres espirales de cera sobre la cubierta del aplicador. Esto debería ser suficiente para cubrir 1/4 de la superficie del vehículo.
4. Para las segunda, tercera y cuarta aplicación, use sólo la mitad aproximadamente que en la primera aplicación. La cubierta no absorberá tanta cera en estas aplicaciones.

Fig. C

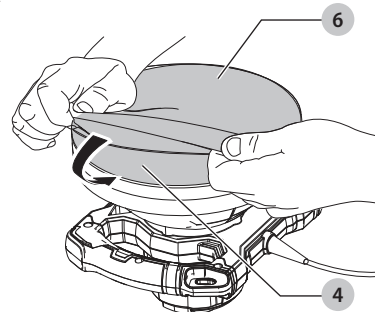
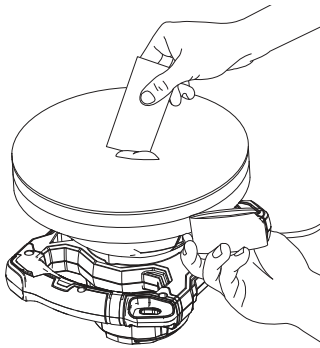


Fig. D



### Encerado de Vehículo (Fig. A, E)

1. Antes de comenzar a encerar, y pulir su vehículo, elimine todo el alquitrán de la carretera, el exceso de manchas de grasa y las manchas de insectos con un limpiador de uso general. Seque su vehículo.
2. Después de conectar la herramienta en el cable de extensión, coloque el cable de extensión sobre su hombro para mantenerlo fuera de su camino.
3. Coloque la pulidora contra el vehículo y encienda la pulidora deslizando el interruptor a la posición de encendido. Para evitar salpicar la cera, SIEMPRE arranque y detenga la pulidora contra la superficie a pulir.
4. Comience a pulir a baja velocidad y luego aumente la velocidad con la carátula de velocidad **5**.
5. Aplique la cera en línea recta con un movimiento de lado a lado o hacia adelante y hacia atrás. SIEMPRE use movimientos amplios y uniformes cuando aplique cera. Aplique cera en una capa fina y uniforme. Demasiada cera no agrega más protección y sólo dificulta la eliminación de la cera.
6. Aplique cera a las superficies planas (cofre, cajuela y techo) primero. Encere una sección a la vez.
7. Después de cubrir las superficies planas, encere los lados. Es más fácil aplicar la cera a toda la superficie antes de comenzar la fase de eliminación; sin embargo, siga las recomendaciones específicas de la cera o pulidor que se utiliza.
8. Cuando haya terminado de aplicar la cera con el aplicador, la cubierta, APAGUE la pulidora antes de retirarla de la superficie del vehículo.

**NOTA:** NO aplique demasiada cera a la cubierta. La aplicación de demasiada cera hace que la cubierta se sature y no dure tanto tiempo. ESTO HACE EL PULIDO MÁS DIFÍCIL Y MÁS LARGO.

**NOTA:** Si la cubierta sale continuamente de la almohadilla, es posible que esté utilizando demasiada cera.

**NOTA:** Si el pulido parece difícil, ha usado demasiada cera.

**IMPORTANTE:** NO aplique una presión excesiva contra la superficie de trabajo con esta herramienta. La función de movimiento orbital aleatorio en esta herramienta funcionará mejor cuando se aplique menos presión. La aplicación

de una presión excesiva retardará el movimiento orbital aleatorio y reducirá la efectividad de la herramienta.

**IMPORTANTE:** Las cubiertas del aplicador de cera sólo deben usarse una vez y luego desecharse adecuadamente.

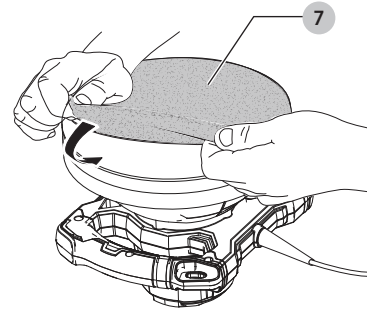
Fig. E



### Colocación de Cubierta de Pulido a la Almohadilla de Espuma (Fig. F)

1. Coloque la cubierta de felpa **7** sobre una almohadilla de espuma como se muestra en la Figura F.
2. SIEMPRE asegúrese que la tira elástica en la parte inferior de la cubierta esté bien colocada en la parte inferior de la almohadilla de espuma.

Fig. F



### Pulido

**AVISO:** Debe tener el mayor cuidado al pulir con fuerza alrededor o sobre objetos afilados y contornos de la carrocería del automóvil. Es muy importante utilizar la presión correcta al pulir varias secciones de la carrocería de un automóvil. Por ejemplo, se debe aplicar una ligera presión al pulir sobre los bordes afilados de los paneles de la carrocería o sobre los bordes de la canaleta de lluvia a lo largo de la parte superior.

1. Espere hasta que la cera se haya secado hasta una bruma uniforme en el vehículo.
2. Coloque el cable de extensión sobre su hombro.

## ESPAÑOL

3. Encienda la pulidora.

**IMPORTANTE:** NO aplique una presión excesiva contra la superficie de trabajo con esta herramienta. La función de movimiento orbital aleatorio en esta herramienta funcionará mejor cuando se aplique menos presión. La aplicación de una presión excesiva retardará el movimiento orbital aleatorio y reducirá la efectividad de la herramienta.

**NOTA:** Para obtener mejores resultados, utilice movimientos largos y de barrido en un patrón entrecruzado cuando retire la cera.

4. Pula toda la superficie hasta eliminar toda la cera seca. Retire la cubierta de vez en cuando y sacuda el residuo de cera seca. Una cubierta con exceso de residuos causará rayas. Es posible que deba reemplazar la cubierta por una nueva si no puede limpiarla lo suficiente como para evitar la formación de rayas.

## Consejos para el Cuidado del Vehículo

- Lave y pula el vehículo de 3 a 4 veces al año para ayudar a garantizar la protección de la pintura.
- Lave el vehículo al menos cada 2 semanas con una solución de lavado para vehículos que no dañe el acabado ni quite la cera. EVITE el lavado con detergentes domésticos.
- Lave con una esponja limpia y seque con una toalla de felpa para evitar que la suciedad raye la pintura. Comience en la parte superior y continúe hacia abajo.
- Elimine diariamente insectos, excrementos de aves, savia de árboles y alquitrán de la superficie del vehículo.
- SIEMPRE asegúrese que la superficie del vehículo esté fría antes de lavarlo.
- Evite estacionarse cerca de los rociadores, ya que las manchas de agua son difíciles de eliminar.
- SIEMPRE mantenga los productos químicos para limpiar vidrios lejos de las superficies pintadas. Rocíe el limpiador en una toalla, NO directamente en las ventanas.

## MANTENIMIENTO



**ADVERTENCIA:** Para reducir el riesgo de lesiones personales, apague la unidad y desconéctela de la fuente de energía antes de realizar cualquier ajuste o retirar/instalar conexiones o accesorios. Una activación de arranque accidental puede causar lesiones.

## Accesorios



**ADVERTENCIA:** Debido a que no se han probado con este producto otros accesorios que no sean los que ofrece CRAFTSMAN, el uso de dichos accesorios con esta herramienta podría ser peligroso. Para reducir el riesgo de lesiones, con este producto deben usarse sólo los accesorios recomendados por CRAFTSMAN.

Los accesorios que se recomiendan para utilizar con la herramienta están disponibles a un costo adicional en su distribuidor local o en un centro de mantenimiento autorizado. Si necesita ayuda para localizar algún accesorio, póngase en contacto con CRAFTSMAN al **1-888-331-4569**.

## Limpieza



**ADVERTENCIA:** Sople la suciedad y el polvo de todos los conductos de ventilación con aire seco, al menos una vez por semana. Para reducir el riesgo de lesiones, utilice siempre protección para los ojos aprobada ANSI Z87.1 al realizar esta tarea.



**ADVERTENCIA:** Nunca utilice solventes ni otros químicos abrasivos para limpiar las piezas no metálicas de la herramienta. Estos productos químicos pueden debilitar los materiales plásticos utilizados en estas piezas. Utilice un paño humedecido sólo con agua y jabón neutro. Nunca permita que penetre líquido dentro de la herramienta ni sumerja ninguna de las piezas en un líquido.

Se pueden lavar a máquina en agua fría, con una pequeña cantidad de detergente, cubiertas de tela de toalla, cubierta de pulido y almohadilla aplicadora manual. Máquina seca a temperatura media. SIN EMBARGO, recomendamos el lavado a mano y el secado al aire para prolongar la vida útil de la cubierta.

## Reparaciones



**ADVERTENCIA:** Para asegurar la SEGURIDAD y la CONFIABILIDAD del producto, las reparaciones, el mantenimiento y los ajustes (inclusive la inspección y el cambio de las escobillas, cuando proceda) deben ser realizados en un centro de mantenimiento en la fábrica CRAFTSMAN u en un centro de mantenimiento autorizado CRAFTSMAN. Utilice siempre piezas de repuesto idénticas.

**Para reparación y servicio de sus herramientas eléctricas, favor de dirigirse al Centro de Servicio más cercano**

### CULIACAN, SIN

Bld. Emiliano Zapata 5400-1 Poniente Col. (667) 717 89 99  
San Rafael

### GUADALAJARA, JAL

Av. La Paz #1779 - Col. Americana Sector (33) 3825 6978  
Juárez

### MEXICO, D.F.

Eje Central Lázaro Cárdenas No. 18 - Local (55) 5588 9377  
D, Col. Obrera

### MERIDA, YUC

Calle 63 #459-A - Col. Centro (999) 928 5038

### MONTERREY, N.L.

Av. Francisco I. Madero 831 Poniente - Col. (818) 375 23 13  
Centro

### PUEBLA, PUE

17 Norte #205 - Col. Centro (222) 246 3714

### QUERETARO, QRO

Av. San Roque 274 - Col. San Gregorio (442) 2 17 63 14

### SAN LUIS POTOSI, SLP

Av. Universidad 1525 - Col. San Luis (444) 814 2383

### TORREON, COAH



Blvd. Independencia, 96 Pte. - Col. Centro (871) 716 5265

**VERACRUZ, VER**

Prolongación Díaz Mirón #4280 - Col. Remes (229) 921 7016

**VILLAHERMOSA, TAB**

Constitución 516-A - Col. Centro (993) 312 5111

**PARA OTRAS LOCALIDADES:**

**Si se encuentra en México, por favor llame al (55) 5326 7100**

**Si se encuentra en U.S., por favor llame al 1-888-331-4569**

**Póliza de Garantía**

IDENTIFICACIÓN DEL PRODUCTO:

Sello o firma del Distribuidor.

Nombre del producto: \_\_\_\_\_

Mod./Cat.: \_\_\_\_\_

Marca: \_\_\_\_\_

Núm. de serie: \_\_\_\_\_

(Datos para ser llenados por el distribuidor)

Fecha de compra y/o entrega del producto: \_\_\_\_\_

Nombre y domicilio del distribuidor donde se adquirió el producto:

Este producto está garantizado por un año a partir de la fecha de entrega, contra cualquier defecto en su funcionamiento, así como en materiales y mano de obra empleados para su fabricación. Nuestra garantía incluye la reparación o reposición del producto y/o componentes sin cargo alguno para el cliente, incluyendo mano de obra, así como los gastos de transportación razonablemente erogados derivados del cumplimiento de este certificado. Para hacer efectiva esta garantía deberá presentar su herramienta y esta póliza sellada por el establecimiento comercial donde se adquirió el producto, de no contar con ésta, bastará la factura de compra.

**Excepciones**

Esta garantía no será válida en los siguientes casos:

- Cuando el producto se hubiese utilizado en condiciones distintas a las normales;
- Cuando el producto no hubiese sido operado de acuerdo con el instructivo de uso que se acompaña;
- Cuando el producto hubiese sido alterado o reparado por personas distintas a las enlistadas al final de este certificado.

Anexo encontrará una relación de sucursales de servicio de fábrica, centros de servicio autorizados y franquiciados en la República Mexicana, donde podrá hacer efectiva su garantía y adquirir partes, refacciones y accesorios originales.

Solamente para propósito de México:

Importado por: Craftsman. Tool Co. S.A. de C.V.  
 Avenida Antonio Dovali Jaime, # 70 Torre B Piso 9  
 Colonia La Fe, Santa Fé  
 Código Postal : 01210  
 Delegación Alvaro Obregón  
 México D.F.  
 Tel. (52) 555-326-7100  
 R.F.C.: BDE810626-1W7

**Almacenamiento**

Retire la cubierta de la almohadilla de espuma cuando no esté utilizando la pulidora, para que la almohadilla se seque y conserve su forma original.

Para prolongar la vida útil de la almohadilla de espuma, SIEMPRE almacene la pulidora con la almohadilla hacia arriba.

**Registro en Línea**

Gracias por su compra. Registre su producto ahora para:

- **SERVICIO EN GARANTÍA:** Si completa esta tarjeta, podrá obtener un servicio en garantía más eficiente, en caso de que exista un problema con su producto.
- **CONFIRMACIÓN DE PROPIEDAD:** En caso de una pérdida que cubra el seguro, como un incendio, una inundación o un robo, el registro de propiedad servirá como comprobante de compra.
- **PARA SU SEGURIDAD:** Si registra el producto, podremos comunicarnos con usted en el caso improbable que se deba enviar una notificación de seguridad conforme a la Federal Consumer Safety Act (Ley Federal de Seguridad de Productos para el Consumidor).
- Registro en línea en [www.craftsman.com/registration](http://www.craftsman.com/registration)

**Garantía Limitada por Tres Años**

CRAFTSMAN reparará o reemplazará, sin cargo, cualquier defecto debido a materiales o mano de obra defectuosos por tres años desde la fecha de compra. Esta garantía no cubre falla de partes debido al desgaste normal o abuso de la herramienta. Para detalles adicionales de la cobertura de la garantía e información de reparación de garantía, visite [www.craftsman.com](http://www.craftsman.com) o llame al **1-888-331-4569**.

Esta garantía no se aplica a accesorios o daño causado cuando otros hayan realizado o intentado reparaciones. ESTA GARANTÍA LIMITADA SE OTORGA EN LUGAR DE TODAS LAS DEMÁS, INCLUIDA LA GARANTÍA IMPLÍCITA DE COMERCIABILIDAD E IDONEIDAD PARA UN PROPÓSITO EN PARTICULAR, Y EXCLUYE TODOS LOS DAÑOS INCIDENTALES O EN CONSECUENCIA. Algunos estados no permiten limitaciones sobre la duración de una garantía implícita o la exclusión o limitación de daños incidentales o en consecuencia, por lo que estas limitaciones pueden no aplicarse en su caso. Esta garantía le da derechos legales específicos y puede tener otros derechos que varían en ciertos estados o provincias.

## **GARANTÍA DE REEMBOLSO DE SU DINERO POR 90 DÍAS**

Si no está completamente satisfecho con el desempeño de su máquina herramienta o clavadora CRAFTSMAN, cualquiera sea el motivo, podrá devolverlo hasta 90 días de la fecha de compra con su recibo y obtener el reembolso completo de su dinero – sin necesidad de responder a ninguna pregunta.

**AMÉRICA LATINA:** Esta garantía no se aplica a los productos que se venden en América Latina. Para los productos que se venden en América Latina, debe consultar la información de la garantía específica del país que viene en el empaque, llamar a la compañía local o visitar el sitio Web a fin de obtener esa información.

**REEMPLAZO GRATUITO DE LAS ETIQUETAS DE ADVERTENCIAS:** Si sus etiquetas de advertencia se vuelven ilegibles o faltan, llame al **1-888-331-4569** para que se le reemplacen gratuitamente.



CRAFTSMAN , 701 East Joppa Road, Towson, MD 21286  
Copyright © 2019