

CRAFTSMAN®

INSTRUCTION MANUAL

GUIDE D'UTILISATION

MANUAL DE INSTRUCCIONES

20V Max* String Trimmer

Coupe-bordure 20 V max*

Podadora 20 V M x*

CMCST930



IF YOU HAVE QUESTIONS OR COMMENTS, CONTACT US.
POUR TOUTE QUESTION OU TOUT COMMENTAIRE, NOUS CONTACTER.
SI TIENE DUDAS O COMENTARIOS, CONTÁCTENOS.

1-888-331-4569

WWW.CRAFTSMAN.COM

English (**original instructions**)

4

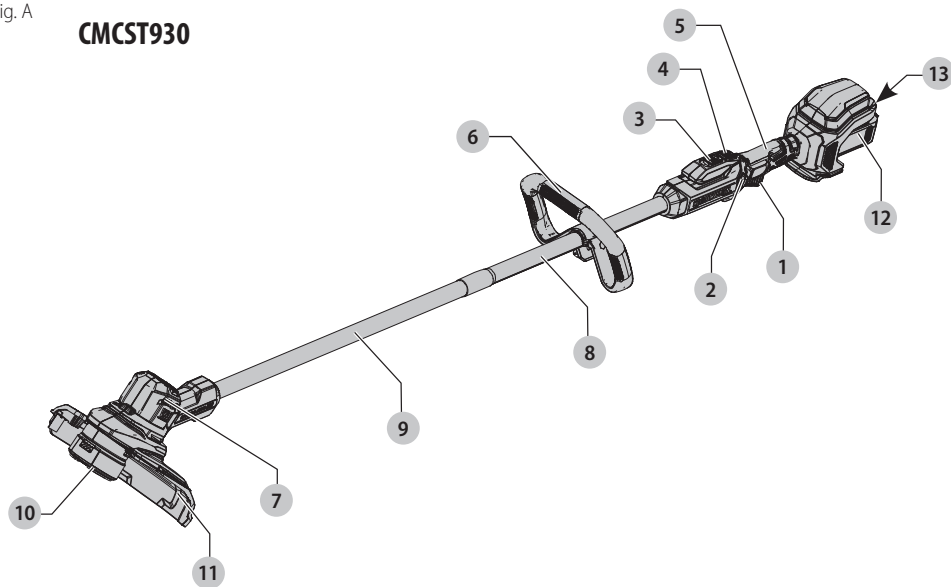
Français (*traduction de la notice d'instructions originale*)

15

Español (*traducido de las instrucciones originales*)

28

Fig. A

CMCST930**Components**

- 1 Trigger
- 2 Lock-off button
- 3 Speed control switch
- 4 Line feed button
- 5 Main handle
- 6 Auxiliary handle
- 7 Motor housing
- 8 Upper pole
- 9 Lower pole
- 10 Spool housing
- 11 Guard
- 12 Battery pack
- 13 Battery release button

Composants

- 1 Gâchette
- 2 Bouton de déverrouillage
- 3 Bouton de réglage de la vitesse
- 4 Bouton Alimentation du fil
- 5 Poignée principale
- 6 Poignée auxiliaire
- 7 Boîtier du moteur
- 8 Tige supérieure
- 9 Tige inférieure
- 10 Boîtier de la bobine
- 11 Protection
- 12 Bloc-piles
- 13 Bouton de libération du bloc-piles

Componentes

- 1 Gatillo
- 2 Botón de bloqueo de apagado
- 3 Interruptor de control de velocidad
- 4 Botón de alimentación de línea
- 5 Manija principal
- 6 Manija auxiliar
- 7 Alojamiento de motor
- 8 Poste superior
- 9 Poste inferior
- 10 Alojamiento de carrete
- 11 Protección
- 12 Paquete de batería
- 13 Botón de liberación de batería

Fig. B

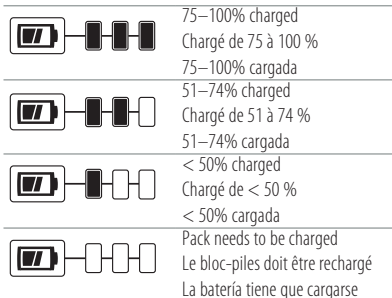


Fig. C

Indicators for all chargers except CMCB101
Voyants pour tous les chargeurs sauf CMCB101
Indicadores para todos los cargadores excepto CMCB101

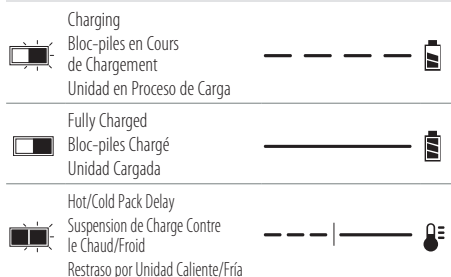


Fig. D

Only CMCB101 Charger Indicators
Seulement les voyants de chargeur CMCB101
Indicadores únicamente para cargador CMCB101

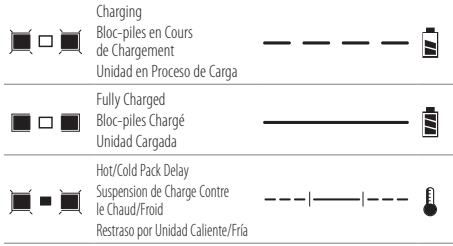


Fig. E

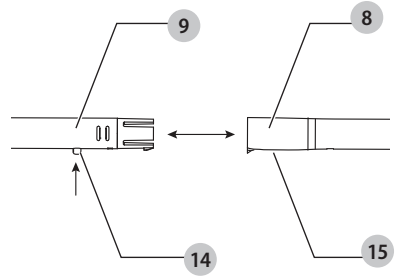


Fig. F

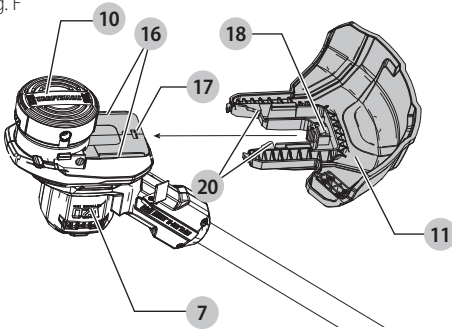


Fig. G

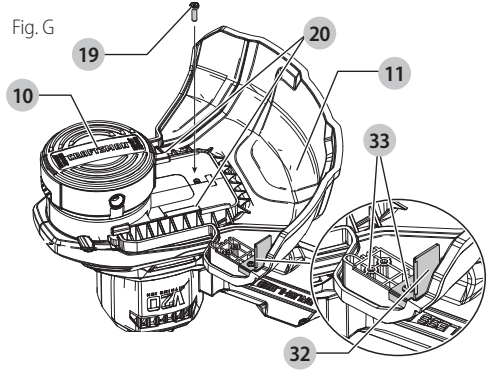


Fig. H

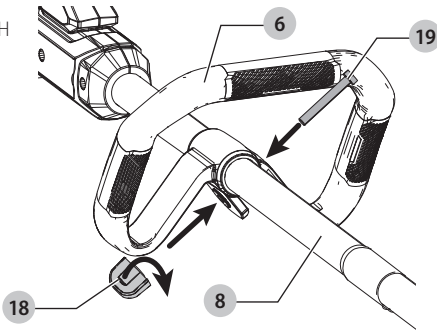


Fig. I

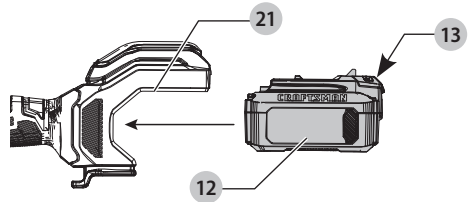


Fig.J

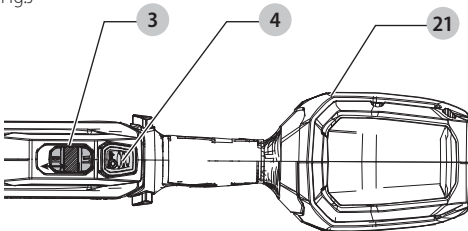


Fig. K

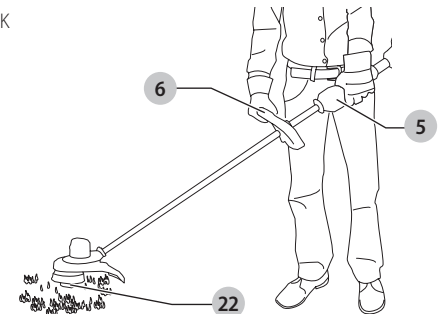


Fig. L

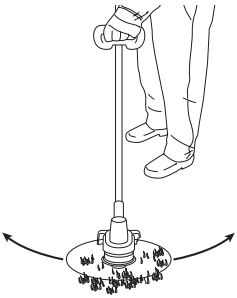


Fig. M

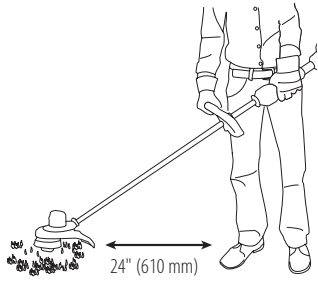


Fig. N

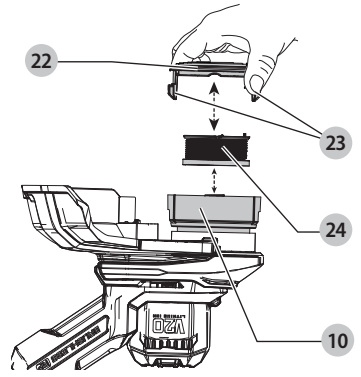


Fig. O

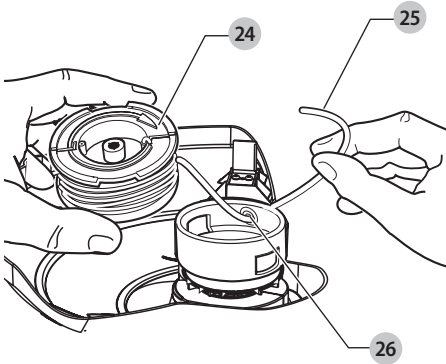


Fig. P

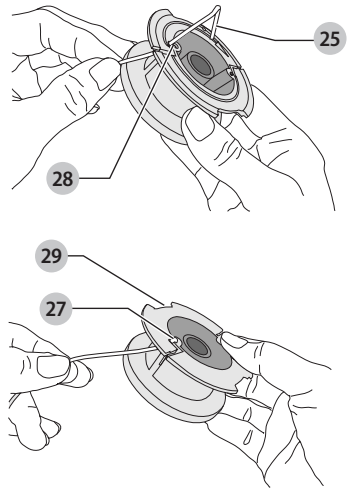


Fig. Q

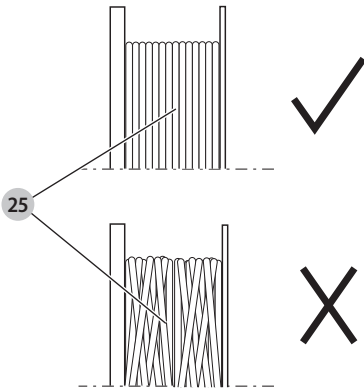
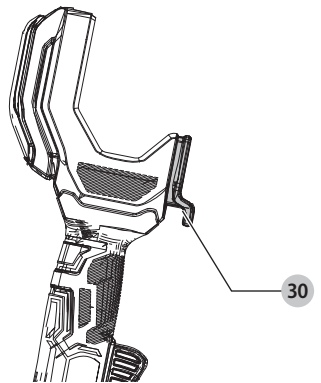




Fig. R



 **WARNING:** Read all safety warnings and all instructions. Failure to follow the warnings and instructions may result in electric shock, fire and/or serious injury.

 **WARNING:** To reduce the risk of injury, read the instruction manual.

Intended Use

 **WARNING:** This product is not an edger and is not intended to be used for edging.


The CMCST930 string trimmer is designed for household trimming applications.


DO NOT use under wet conditions or in presence of flammable liquids or gases.


DO NOT let children come into contact with the tool. Supervision is required when inexperienced operators use this tool.

Definitions: Safety Alert Symbols and Words

This instruction manual uses the following safety alert symbols and words to alert you to hazardous situations and your risk of personal injury or property damage.

 **DANGER:** Indicates an imminently hazardous situation which, if not avoided, **will** result in death or serious injury.


 **WARNING:** Indicates a potentially hazardous situation which, if not avoided, **could** result in death or serious injury.

 **CAUTION:** Indicates a potentially hazardous situation which, if not avoided, **may** result in **minor** or **moderate** injury.

 (Used without word) Indicates a safety related message.

NOTICE: Indicates a practice **not** related to personal injury which, if not avoided, **may** result in property damage.

GENERAL POWER TOOL SAFETY WARNINGS

 **WARNING:** Read all safety warnings, instructions, illustrations and specifications provided with this power tool. Failure to follow all instructions listed below may result in electric shock, fire and/or serious injury.

SAVE ALL WARNINGS AND INSTRUCTIONS FOR FUTURE REFERENCE.

The term "power tool" in the warnings refers to your mains-operated (corded) power tool or battery-operated (cordless) power tool.

1) Work Area Safety

- Keep work area clean and well lit.** Cluttered or dark areas invite accidents.
- Do not operate power tools in explosive atmospheres, such as in the presence of flammable liquids, gases or dust.** Power tools create sparks which may ignite the dust or fumes.
- Keep children and bystanders away while operating a power tool.** Distractions can cause you to lose control.

2) Electrical Safety

- Power tool plugs must match the outlet. Never modify the plug in any way. Do not use any adapter plugs with earthed (grounded) power tools.** Unmodified plugs and matching outlets will reduce risk of electric shock.
- Avoid body contact with earthed or grounded surfaces, such as pipes, radiators, ranges and refrigerators.** There is an increased risk of electric shock if your body is earthed or grounded.
- Do not expose power tools to rain or wet conditions.** Water entering a power tool will increase the risk of electric shock.
- Do not abuse the cord. Never use the cord for carrying, pulling or unplugging the power tool. Keep cord away from heat, oil, sharp edges or moving parts.** Damaged or entangled cords increase the risk of electric shock.
- When operating a power tool outdoors, use an extension cord suitable for outdoor use.** Use of a cord suitable for outdoor use reduces the risk of electric shock.
- If operating a power tool in a damp location is unavoidable, use a ground fault circuit interrupter (GFCI) protected supply.** Use of a GFCI reduces the risk of electric shock.

3) Personal Safety

- Stay alert, watch what you are doing and use common sense when operating a power tool. Do not use a power tool while you are tired or under the influence of drugs, alcohol or medication.** A moment of inattention while operating power tools may result in serious personal injury.
- Use personal protective equipment. Always wear eye protection.** Protective equipment such as a dust mask, non-skid safety shoes, hard hat, or hearing protection used for appropriate conditions will reduce personal injuries.
- Prevent unintentional starting. Ensure the switch is in the off-position before connecting to power source and/or battery pack, picking up or carrying the tool.** Carrying power tools with your finger on the switch or energizing power tools that have the switch on invites accidents.

- d) **Remove any adjusting key or wrench before turning the power tool on.** A wrench or a key left attached to a rotating part of the power tool may result in personal injury.
- e) **Do not overreach. Keep proper footing and balance at all times.** This enables better control of the power tool in unexpected situations.
- f) **Dress properly. Do not wear loose clothing or jewelry. Keep your hair, clothing and gloves away from moving parts.** Loose clothes, jewelry or long hair can be caught in moving parts.
- g) **If devices are provided for the connection of dust extraction and collection facilities, ensure these are connected and properly used.** Use of dust collection can reduce dust-related hazards.
- h) **Do not let familiarity gained from frequent use of tools allow you to become complacent and ignore tool safety principles.** A careless action can cause severe injury within a fraction of a second.

4) Power Tool Use and Care

- a) **Do not force the power tool. Use the correct power tool for your application.** The correct power tool will do the job better and safer at the rate for which it was designed.
- b) **Do not use the power tool if the switch does not turn it on and off.** Any power tool that cannot be controlled with the switch is dangerous and must be repaired.
- c) **Disconnect the plug from the power source and/or remove the battery pack, if detachable, from the power tool before making any adjustments, changing accessories, or storing power tools.** Such preventive safety measures reduce the risk of starting the power tool accidentally.
- d) **Store idle power tools out of the reach of children and do not allow persons unfamiliar with the power tool or these instructions to operate the power tool.** Power tools are dangerous in the hands of untrained users.
- e) **Maintain power tools and accessories. Check for misalignment or binding of moving parts, breakage of parts and any other condition that may affect the power tool's operation. If damaged, have the power tool repaired before use.** Many accidents are caused by poorly maintained power tools.
- f) **Keep cutting tools sharp and clean.** Properly maintained cutting tools with sharp cutting edges are less likely to bind and are easier to control.
- g) **Use the power tool, accessories and tool bits etc. in accordance with these instructions, taking into account the working conditions and the work to be performed.** Use of the power tool for operations different from those intended could result in a hazardous situation.
- h) **Keep handles and grasping surfaces dry, clean and free from oil and grease.** Slippery handles and grasping surfaces do not allow for safe handling and control of the tool in unexpected situations.


5) Battery Tool Use and Care


- a) **Recharge only with the charger specified by the manufacturer.** A charger that is suitable for one type of battery pack may create a risk of fire when used with another battery pack.
- b) **Use power tools only with specifically designated battery packs.** Use of any other battery packs may create a risk of injury and fire.
- c) **When battery pack is not in use, keep it away from other metal objects, like paper clips, coins, keys, nails, screws or other small metal objects, that can make a connection from one terminal to another.** Shorting the battery terminals together may cause burns or a fire.
- d) **Under abusive conditions, liquid may be ejected from the battery; avoid contact. If contact accidentally occurs, flush with water. If liquid contacts eyes, additionally seek medical help.** Liquid ejected from the battery may cause irritation or burns.
- e) **Do not use a battery pack or tool that is damaged or modified.** Damaged or modified batteries may exhibit unpredictable behavior resulting in fire, explosion or risk of injury.
- f) **Do not expose a battery pack or tool to fire or excessive temperature.** Exposure to fire or temperature above 265 °F (130 °C) may cause explosion.
- g) **Follow all charging instructions and do not charge the battery pack or tool outside the temperature range specified in the instructions.** Charging improperly or at temperatures outside the specified range may damage the battery and increase the risk of fire.


6) Service

- a) **Have your power tool serviced by a qualified repair person using only identical replacement parts.** This will ensure that the safety of the power tool is maintained.
- b) **Never service damaged battery packs.** Service of battery packs should only be performed by the manufacturer or authorized service providers.

Important Safety Warnings

 **WARNING:** When using electric gardening appliances, basic safety precautions should always be followed to reduce risk of fire, electric shock, and personal injury, including the following.

 **WARNING:** Do not remove guard. The guard must be attached during use. Operating this trimmer without the guard will violate the product warranty.

 **CAUTION:** When replacing the line, use only 0.080" (2 mm) diameter twisted nylon monofilament

line. Other diameters or shapes may degrade performance or cause damage to the trimmer.

READ ALL INSTRUCTIONS

- **ALWAYS WEAR EYE PROTECTION** – Wear safety spectacles or goggles at all times when the battery is installed. These items are available for purchase.
- **GUARD** - Do not use this appliance without the guard attached.
- **DRESS PROPERLY** – Do not wear loose clothing or jewelry. They can be caught in moving parts. Gloves and substantial rubber soled footwear are recommended when working outdoors. Don't operate the appliance when barefoot or wearing open sandals. Wear heavy long pants to protect your legs. Wear protective hair covering to contain long hair.
- **NYLON LINE** – Keep face, hands and feet clear of rotating nylon line at all times.
- **THE ROTATING LINE PERFORMS A CUTTING FUNCTION** – Use care when trimming around screens and desirable plantings.
- **DO NOT USE** materials not recommended, such as metal wire, rope, and the like.
- **KEEP ALL BYSTANDERS AWAY** – at a safe distance from work area, especially children.
- **KEEP CHILDREN, BYSTANDERS AND ANIMALS AWAY** from the work area a minimum of 30 feet (10 meters) when starting or operating the unit.
- **TO REDUCE THE RISK** of rebound (ricochet) injury, work going away from any nearby solid object such as wall, steps, large stone, tree, etc. Use great care when working close to solid objects and where necessary, do trimming by hand.
- **AVOID ACCIDENTALLY STARTING** – Don't carry trimmer when the battery is installed with finger on trigger.
- **USE THE RIGHT** appliance – Do not use this appliance for any job except that for which it is intended.
- **DON'T OVERREACH** – Keep proper footing and balance at all times.
- **DON'T FORCE APPLIANCE** – It will do the job better and with less likelihood of a risk of injury at the rate for which it was designed.
- **DAMAGE TO UNIT** – If you strike or become entangled with a foreign object, stop appliance immediately, remove the battery, check for damage and have any damage repaired before further operation is attempted. Do not operate with a broken hub or spool.
- **DISCONNECT TRIMMER** – Remove the battery when not in use, when replacing line, or prior to cleaning.
- **AVOID DANGEROUS ENVIRONMENTAL CONDITIONS** – Do not use electric appliances in damp or wet locations. Follow all instructions in this instruction manual for proper operation of your appliance. Don't use the appliance in the rain.
- **DO NOT OPERATE** portable electric appliances in gaseous or explosive atmospheres. Motors in these appliances normally spark, and the sparks might ignite fumes.

- **STORE IDLE APPLIANCES INDOORS** – Remove the battery when not in use, appliances should be stored indoors in a dry, locked-up place out of reach of children.
- **STAY ALERT** – Do not operate this unit when you are tired, ill, or under the influence of alcohol, drugs, or medication.
- **MAINTAIN APPLIANCES WITH CARE** – Follow instructions in maintenance section. Keep handles dry, clean and free from oil and grease.
- **CHECK DAMAGED PARTS** – Before further use of the appliance, a guard or other part that is damaged should be carefully checked to determine that it will operate properly and perform its intended function. Check for alignment of moving parts, binding of moving parts, breakage of parts, mounting, and any other condition that may affect its operation. A guard or other part that is damaged should be properly repaired or replaced by an authorized service center unless otherwise indicated elsewhere in this manual.
- **DO NOT** immerse appliance in water or squirt it with a hose. DO NOT allow any liquid to get inside it.
- **DO NOT** store the appliance on or adjacent to fertilizers or chemicals.
- **DO NOT** clean with a pressure washer.
- Keep guards in place and in working order.
- Keep hands and feet away from cutting area.
- **INSPECT THE AREA** before using the unit. Remove all debris and hard objects such as rocks, glass, wire, etc. that can ricochet, be thrown, or otherwise cause injury or damage during operation.

⚠ WARNING: Do not use appliance if the switch trigger does not turn the appliance on or off. Any appliance that can not be controlled with the switch trigger is dangerous and must be repaired.

Additional Safety Warnings

WARNING: To reduce the risk of rebound (ricochet) injury, work going away from any nearby solid object such as wall, steps, large stone, tree, etc.

- **GUARD** – Do not use this appliance without guard attached.
- **DRESS PROPERLY** – Do not wear loose clothing or jewelry. They can be caught in moving parts. Gloves and substantial rubber soled footwear are recommended when working outdoors. Don't operate the appliance when barefoot or wearing open sandals. Wear heavy long pants to protect your legs. Wear protective hair covering to contain long hair.
- **KEEP FACE, HANDS AND FEET CLEAR OF ROTATING NYLON LINE AT ALL TIMES.** The rotating line performs a cutting function use care when trimming around screens and desirable plantings.
- **KEEP ALL BYSTANDERS AWAY** – at a safe distance from work area, especially children. MAKE SURE that other persons and pets are at least 100 feet (30 m) away.
- **USE GREAT CARE** when working close to solid objects and where necessary, do trimming by hand.

- **DAMAGE TO UNIT** – If you strike or become entangled with a foreign object, stop appliance immediately, remove battery, check for damage and have any damage repaired before further operation is attempted. Do not operate with a broken hub or spool.
- **STAY ALERT** – Do not operate this unit when you are tired, ill, or under the influence of alcohol, drugs, or medication.
- **DO NOT** immerse appliance in water or squirt it with a hose.
- **DO NOT** allow any liquid to get inside it. If appliance does get wet, allow to dry for a minimum of 48 hours.
- **DO NOT** clean with a pressure washer.
- **DO NOT** store the appliance on or adjacent to fertilizers or chemicals.
- **DO NOT** charge appliance in rain, or in wet locations.
- **STORE IDLE APPLIANCES INDOORS** – When not in use, appliances should be stored indoors in a dry, locked-up place out of reach of children.

Additional Safety Information

WARNING: Never modify the power tool or any part of it. Damage or personal injury could result.

WARNING: ALWAYS use safety glasses. Everyday eyeglasses are NOT safety glasses. Also use face or dust mask if operation is dusty. ALWAYS WEAR CERTIFIED SAFETY EQUIPMENT:

- ANSI Z87.1 eye protection (CAN/CSA Z94.3),
- ANSI S12.6 (S3.19) hearing protection,
- NIOSH/OSHA/MSHA respiratory protection.

WARNING: Some dust contains chemicals known to State of California to cause cancer, birth defects or other reproductive harm. Some examples of these chemicals are:

- compounds in fertilizers,
- compounds in insecticides, herbicides and pesticides,
- arsenic and chromium from chemically treated lumber.

To reduce your exposure to these chemicals, wear approved safety equipment such as dust masks that are specially designed to filter out microscopic particles.

- **Avoid prolonged contact with dust from power sanding, sawing, grinding, drilling, and other construction activities. Wear protective clothing and wash exposed areas with soap and water.** Allowing dust to get into your mouth, eyes, or lay on the skin may promote absorption of harmful chemicals.

WARNING: Use of this tool can generate and/or disperse dust, which may cause serious and permanent respiratory or other injury. Always use NIOSH/OSHA approved respiratory protection

appropriate for the dust exposure. Direct particles away from face and body.





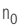









WARNING: Always wear proper personal hearing protection that conforms to ANSI S12.6 (S3.19) during use. Under some conditions and duration of use, noise from this product may contribute to hearing loss.

CAUTION: When not in use, place tool on

its side on a stable surface where it will not cause a tripping or falling hazard. Some tools with a large battery pack will stand upright but may be easily knocked over.

- **Air vents often cover moving parts and should be avoided.** Loose clothes, jewelry or long hair can be caught in moving parts.

The label on your tool may include the following symbols. The symbols and their definitions are as follows:

V	volts		or AC.....	alternating current
Hz	hertz		or AC/DC....	alternating or direct current
min	minutes		Class II Construction (double insulated)
 or DC.....	direct current		n ₀	no load speed
	Class I Construction (grounded)	n		rated speed
... /min.....	per minute	PSI.....		pounds per square inch
BPM.....	beats per minute		earthing terminal
IPM.....	impacts per minute		safety alert symbol
OPM.....	oscillations per minute		visible radiation do not stare into the light
RPM.....	revolutions per minute		wear respiratory protection
sfpn	surface feet per minute		wear eye protection
SPM.....	strokes per minute		wear hearing protection
A.....	amperes		read all documentation
W.....	watts		do not expose to rain
Wh.....	watt hours			
Ah.....	amp hours			

BATTERIES AND CHARGERS

The battery pack is not fully charged out of the carton. Before using the battery pack and charger, read the safety instructions below and then follow charging procedures outlined. When ordering replacement battery packs, be sure to include the catalog number and voltage.

READ ALL INSTRUCTIONS

Important Safety Instructions for All Battery Packs

WARNING: Read all safety warnings, instructions, and cautionary markings for the battery pack, charger and product. Failure to

follow the warnings and instructions may result in electric shock, fire and/or serious injury.

- **Do not charge or use the battery pack in explosive atmospheres, such as in the presence of flammable liquids, gases or dust.** Inserting or removing the battery pack from the charger may ignite the dust or fumes.
 - **NEVER force the battery pack into the charger. DO NOT modify the battery pack in any way to fit into a non-compatible charger as battery pack may rupture causing serious personal injury.** Consult the chart at the end of this manual for compatibility of batteries and chargers.
 - **Charge the battery packs only in CRAFTSMAN chargers.**
 - **DO NOT splash or immerse in water or other liquids.**
 - **DO NOT allow water or any liquid to enter battery pack.**
 - **Do not store or use the tool and battery pack in locations where the temperature may reach or exceed 104 °F (40 °C) (such as outside sheds or metal buildings in summer).** For best life store battery packs in a cool, dry location.
- NOTE: Do not store the battery packs in a tool with the trigger switch locked on. Never tape the trigger switch in the ON position.**
- **Do not incinerate the battery pack even if it is severely damaged or is completely worn out.** The battery pack can explode in a fire. Toxic fumes and materials are created when lithium-ion battery packs are burned.
 - **Do not expose a battery pack or appliance to fire or excessive temperature.** Exposure to fire or temperature above 265 °F (130 °C) may cause explosion.
 - **Follow all charging instructions and do not charge the battery pack or appliance outside of the temperature range specified in the instructions.** Charging improperly or at temperatures outside of the specified range may damage the battery and increase the risk of fire.
 - **If battery contents come into contact with the skin, immediately wash area with mild soap and water.** If battery liquid gets into the eye, rinse water over the open eye for 15 minutes or until irritation ceases. If medical attention is needed, the battery electrolyte is composed of a mixture of liquid organic carbonates and lithium salts.
 - **Contents of opened battery cells may cause respiratory irritation.** Provide fresh air. If symptoms persist, seek medical attention.
 - **Battery liquid may be flammable if exposed to spark or flame.**
 - **Never attempt to open the battery pack for any reason. If the battery pack case is cracked or damaged, do not insert into the charger.** Do not crush, drop or damage the battery pack. Do not use a battery pack or charger that has received a sharp blow, been dropped, run over or damaged in any way (e.g., pierced with a nail, hit with a hammer, stepped on). Damaged battery packs should be returned to the service center for recycling.

Storage Recommendations

The best storage place is one that is cool and dry, away from direct sunlight and excess heat or cold. Store the fully charged battery pack out of the charger.

Battery Pack Cleaning Instructions

Dirt and grease may be removed from the exterior of the battery pack using a cloth or soft non-metallic brush. Do not use water or any cleaning solutions.

Fuel Gauge Battery Packs (Fig. B)

Some battery packs include a fuel gauge. When the fuel gauge button is pressed and held, the LED lights will indicate the approximate level of charge remaining. This does not indicate tool functionality and is subject to variation based on product components, temperature, and end-user application.

Transportation

⚠ WARNING: *Fire hazard. Do not store, carry, or transport the battery pack so that metal objects can contact exposed battery terminals. For example, do not place the battery pack in aprons, pockets, tool boxes, product kit boxes, drawers, etc., with loose nails, screws, keys, coins, hand tools, etc. When transporting individual battery packs, make sure that the battery terminals are protected and well insulated from materials that could contact them and cause a short circuit. NOTE: Li-ion battery packs should not be put in checked baggage on airplanes and must be properly protected from short circuits if they are in carry-on baggage.*

The RBRC® Seal

Please take your spent battery packs to an authorized CRAFTSMAN service center or to your local retailer for recycling. In some areas, it is illegal to place spent battery packs in the trash. You may also contact your local recycling center for information on where to drop off the spent battery pack. Do not place in curbside recycling. For more information visit www.call2recycle.org or call the toll free number in the RBRC® Seal.

RBRC® is a registered trademark of Call 2 Recycle, Inc.



Important Safety Instructions for All Battery Chargers

⚠ WARNING: *Read all safety warnings, instructions, and cautionary markings for the battery pack, charger and product. Failure to follow the warnings and instructions may result in electric shock, fire and/or serious injury.*

- **DO NOT attempt to charge the battery pack with any chargers other than a CRAFTSMAN charger.** CRAFTSMAN chargers and battery packs are specifically designed to work together.

- **These chargers are not intended for any uses other than charging CRAFTSMAN rechargeable battery packs.** Charging other types of battery packs may cause them to overheat and burst, resulting in personal injury, property damage, fire, electric shock or electrocution.
- **Do not expose the charger to rain or snow.**
- **Do not allow water or any liquid to enter charger.**
- **Pull by the plug rather than the cord when disconnecting the charger.** This will reduce the risk of damage to the electric plug and cord.
- **Make sure that the cord is located so that it will not be stepped on, tripped over or otherwise subjected to damage or stress.**
- **Do not use an extension cord unless it is absolutely necessary.** Use of improper extension cord could result in risk of fire, electric shock or electrocution.
- **When operating a charger outdoors, always provide a dry location and use an extension cord suitable for outdoor use.** Use of a cord suitable for outdoor use reduces the risk of electric shock.
- **An extension cord must have adequate wire size (AWG or American Wire Gauge) for safety.** The smaller the gauge number of the wire, the heavier the cord and thus the greater its capacity. An undersized cord will cause a drop in line voltage resulting in loss of power and overheating. The following table shows the correct size to use depending on total length of all extension cords plugged together, and nameplate ampere rating. If in doubt, use the next heavier gauge.

Minimum Gauge for Cord Sets

Volts		Total Length of Cord in Feet (meters)			
120V		25 (7.6)	50 (15.2)	100 (30.5)	150 (45.7)
Amperage Rating		American Wire Gauge			
More Than	Not More Than				
0	6	18	16	16	14
6	10	18	16	14	12
10	12	16	16	14	12
12	16	14	12	Not Recommended	

- **Do not place any object on top of the charger or place the charger on a soft surface that might block the ventilation slots and result in excessive internal heat.** Place the charger in a position away from any heat source. The charger is ventilated through slots in the top and the bottom of the housing.
- **Do not operate the charger with a damaged cord or plug.** Have them replaced immediately.
- **Do not operate the charger if it has received a sharp blow, been dropped or otherwise damaged in any way.** Take it to an authorized service center.
- **Do not disassemble the charger; take it to an authorized service center when service or repair is required.** Incorrect reassembly may result in a risk of electric shock, electrocution or fire.
- **The charger is designed to operate on standard 120V household electrical power. Do not attempt to use it on any other voltage.** This does not apply to the vehicular charger.

- **Foreign materials of a conductive nature, such as, but not limited to, grinding dust, metal chips, steel wool, aluminum foil or any buildup of metallic particles should be kept away from the charger cavities and ventilation slots.**
- **Always unplug the charger from the power supply when there is no battery pack in the cavity.**

Charging a Battery (Fig. B—D)

1. Plug the charger into an appropriate outlet.
2. Insert and fully seat battery pack **12**. Green charging light(s) will continuously blink while charging.
3. Charging is complete when the green charging light(s) remain(s) continuously ON. Battery pack can be left in charger or removed.

WARNING: Only charge batteries in air temperature over 40 °F (4.5 °C) and below 104 °F (+40 °C).

4. Charger will not charge a faulty battery pack, which may be indicated by the charging light(s) staying OFF. Take charger and battery pack to an authorized service center if light(s) stay(s) OFF.

NOTE: Refer to label near charging light(s) on charger for blink patterns.

NOTE: To remove the battery pack, some chargers require the battery pack release button to be pressed.

Hot/Cold Pack Delay

When the charger detects a battery pack that is too hot or too cold, it automatically starts a Hot/Cold Pack Delay, suspending charging until the battery pack has reached an appropriate temperature. The charger then automatically switches to the pack charging mode. This feature ensures maximum battery pack life.

A cold battery pack may charge at a slower rate than a warm battery pack.

The hot/cold pack delay will be indicated by the green light(s) continuing to blink but with the red light continuously ON. Once the battery pack has reached an appropriate temperature, the red light will turn OFF and the charger will resume the charging procedure.

Electronic Protection System

Li-Ion tools are designed with an Electronic Protection System that will protect the battery pack against overloading, overheating or deep discharge. The tool will automatically turn off and the battery pack will need to be recharged.

Important Charging Notes

1. Longest life and best performance can be obtained if the battery pack is charged when the air temperature is between 65 °F – 75 °F (18 °C – 24 °C). DO NOT charge when the battery pack is below +40 °F (+4.5 °C), or above +104 °F (+40 °C). This is important and will prevent serious damage to the battery pack.
2. The charger and battery pack may become warm to the touch while charging. This is a normal condition, and does not indicate a problem. To facilitate the cooling of the battery pack after use, avoid placing the charger or

battery pack in a warm environment such as in a metal shed or an uninsulated trailer.

- If the battery pack does not charge properly:
 - Check operation of receptacle by plugging in a lamp or other appliance;
 - Check to see if receptacle is connected to a light switch which turns power off when you turn out the lights;
 - If charging problems persist, take the tool, battery pack and charger to your local service center.
- You may charge a partially used pack whenever you desire with no adverse effect on the battery pack.

Charger Cleaning Instructions

⚠ WARNING: *Shock hazard. Disconnect the charger from the AC outlet before cleaning. Dirt and grease may be removed from the exterior of the charger using a cloth or soft non-metallic brush. Do not use water or any cleaning solutions.*

Wall Mounting

Some CRAFTSMAN chargers are designed to be wall mountable or to sit upright on a table or work surface. If wall mounting, locate the charger within reach of an electrical outlet, and away from a corner or other obstructions which may impede air flow. Use the back of the charger as a template for the location of the mounting screws on the wall. Mount the charger securely using drywall screws (purchased separately) at least 1" (25.4 mm) long, with a screw head diameter of 0.28–0.35" (7–9 mm), screwed into wood to an optimal depth leaving approximately 7/32" (5.5 mm) of the screw exposed. Align the slots on the back of the charger with the exposed screws and fully engage them in the slots.

NOTE: Do not attempt to mount CMCB101 charger under a bench or table.

NOTE: Only mount CMCB101 charger with the charging lights pointed upward toward the ceiling.

VersaTrack™

⚠ WARNING: *Do not charge batteries while charger is hung on Trackwall.*

CRAFTSMAN chargers, except the CMCB101, can be stored on CRAFTSMAN VersaTrack™ Trackwall. Hooks and accessories are sold separately. Please refer to the VersaTrack™ Trackwall accessory sheet for further information.

NOTE: The CMCB101 charger is not CRAFTSMAN VersaTrack™ Trackwall compatible.

SAVE THESE INSTRUCTIONS FOR FUTURE USE

ASSEMBLY AND ADJUSTMENTS

⚠ WARNING: *To reduce the risk of serious personal injury, turn unit off and remove the battery pack before making any adjustments or removing/installing attachments or accessories, when replacing line, or prior to cleaning. An accidental start-up can cause injury.*

Assembling the Pole (Fig. A, E)

- When installing the lower pole **9** into the upper pole **8**, align the detent lock **14** with the detent slot **15** as shown in Fig. E.
- Press the two poles together so the detent lock **14** engages the detent slot **15**.
- Check to ensure the two poles are securely connected by tugging on them and make sure the detent lock remains engaged in the detent slot.

⚠ WARNING: *Always check to make sure that the detent lock is completely secured in place. If the detent lock is not completely secured it could result in the assembly becoming disconnected creating a hazardous condition. Periodically check the connections to insure that the detent lock is completely secured in place.*

Installing the Guard (Fig. F, G)

⚠ WARNING: *Never remove the guard. Damage or personal injury could result.*

⚠ WARNING: **NEVER OPERATE APPLIANCE WITHOUT GUARD FIRMLY IN PLACE.** *The guard must always be properly attached on the appliance to protect the user.*

- Remove the guard screw **19**.
- Slide the guard **11** fully onto the motor housing **7**. Make sure the tabs **20** on the guard engage the ribs **16** on the trimmer head.
- Continue to slide the guard on until it "snaps" into place. The locking tab **18** should snap into the housing slot **17**.
- Using a crosshead screwdriver, insert the guard screw **19** and tighten securely.
- Once the guard is installed, remove the covering from the line cut-off blade, located on the edge of the guard.

Adjusting the Cutting Swath Size (Fig. G)

This guard allows for two swath sizes, 13 inches or 11 inches.

- To adjust the position of the cutting line blade **32**, remove the screws **33** securing the cutting line blade **32** in place.
- Position the cutting line blade **32** to the second position on the guard and secure it with the screws **33**.

NOTE: Moving the cutting line blade **32** closer to the spool housing will decrease cutting swath size.

Attaching the Auxiliary Handle (Fig. H)

1. Remove handle knob **18** and handle bolt **19** from the auxiliary handle **6**.
2. Push the auxiliary handle **6** onto the top of the upper trimmer pole **8** as shown in Fig. H.
3. Thread the handle bolt **19** through the mounting hole on the auxiliary handle **6**.
4. Thread the handle knob **18** onto the handle bolt **19** and firmly tighten. Ensure the handle is secured in position before using.
5. To adjust the position of the auxiliary handle, loosen the handle knob **18** and slide the auxiliary handle **6** up or down the pole until it is in the desired location. Tighten the handle knob **18** to secure the auxiliary handle **6** in position.

Releasing the Cutting Line (Fig. A)

In transit, the cutting line is taped to the spool housing **10**.

- Remove the tape holding the cutting line to the spool housing.

OPERATION

WARNING: *To reduce the risk of serious personal injury, turn unit off and remove the battery pack before making any adjustments or removing/installing attachments or accessories, when replacing line, or prior to cleaning. An accidental start-up can cause injury.*

Installing and Removing the Battery Pack (Fig. I)

WARNING: *Ensure the tool/appliance is in the off position before inserting the battery pack.*

NOTE: For best results, make sure your battery pack is fully charged.

1. To install the battery pack **12** into the tool handle, align the battery pack with the rails inside the tool's handle and slide it into the handle until the battery pack is firmly seated in the tool and ensure that it does not disengage.
2. To remove the battery pack from the tool, press the release button **13** and firmly pull the battery pack out of the tool handle. Insert it into the charger as described in the charger section of this manual.

Proper Hand Position (Fig. K)

WARNING: *To reduce the risk of serious personal injury, ALWAYS use proper hand position as shown.*

WARNING: *To reduce the risk of serious personal injury, ALWAYS hold securely in anticipation of a sudden reaction.*

Proper hand position requires one hand on the main handle **5** and one hand on the auxiliary handle **6**.

Switching Trimmer On and Off (Fig. A)

WARNING: *Never attempt to lock the trigger in the on position.*

1. To turn the appliance on, press the lock-off button **2** and then squeeze the trigger **1**. Once the unit is running, you may release the lock-off button.
2. To turn the appliance off, release the trigger.

Speed Control Switch (Fig. J)

This string trimmer gives you the choice to operate at a more efficient speed to extend the runtime for larger jobs, or accelerate the trimmer speed for high-performance cutting.

To accelerate the trimmer, push the speed control switch **3** forward toward the auxiliary handle **6** into the "HI" position. This mode is best to cut through heavier growth and for applications that need higher RPM.

To extend runtime, pull the speed control switch back toward the battery housing **21** into the "LO" position. This mode is best for larger projects that require more time to complete.

NOTE: When in "HI" mode, runtime will be decreased as compared to when trimmer is in "LO" mode.

Line Feed Button (Fig. J)

The line feed feature allows you to advance the length of cutting line available while trimming.

- To extend the cutting line, fully depress the line feed button **4** while trimming and then release.

NOTE: The trimmer will stop cutting when the line feed button is pressed and will resume cutting when released.

NOTE: For maximum line length, press the button multiple times until you hear the cutting line hitting the guard. Do not continue to press the line feed button once the maximum length is reached. This will result in overfeeding and will consume string quickly.

Trimming (Fig. K—M)

WARNING: *Keep the rotating string roughly parallel with the ground (tilted no more than 10 degrees). This trimmer is not an edger. DO NOT TILT the trimmer so that the string is spinning near a right angle to the ground. Flying debris can cause serious injury.*

CAUTION: *Ensure that other persons and pets are at least 100' (30 m) away. Flying debris can cause serious injury.*

1. With the trimmer on, angle it and swing side to side as shown in Fig. L.
2. Maintain a cutting angle of 5° to 10°. Do not exceed 10°. Cut with the tip of the line.
3. Maintain a minimum distance of 24" (610 mm) between the guard and your feet as shown in Fig. M.

Helpful Cutting Tips (Fig. N)

- Use the tip of the string to do the cutting; do not force string head into uncut grass. Use edge guide along such things as fences, houses and flower beds for best practices.
- Wire and picket fences cause extra string wear, even breakage. Stone and brick walls, curbs, and wood may wear string rapidly.
- Do not allow spool cap **22** to drag on ground or other surfaces.
- In long growth, cut from the top down and do not exceed 13" (330 mm) high.
- Keep trimmer tilted toward the area being cut; this is the best cutting area.
- The trimmer cuts when passing the unit from the left to right. This will avoid throwing debris at the operator.
- Avoid trees and shrubs. Tree bark, wood moldings, siding, and fence posts can easily be damaged by the string.

Cutting Line / Line Feeding

Your trimmer uses .080" (2 mm) diameter, TWIST nylon line. During use, the tips of the nylon lines will become frayed and worn. Cutting line will wear faster and require more feeding if the cutting is done along sidewalks or other abrasive surfaces or heavier weeds are being cut.

Clearing Jams and Tangled Line (Fig. N)

⚠ WARNING: Remove the battery from the trimmer before making any assembly, adjustments or changing accessories. Such preventive safety measures reduce the risk of starting the appliance accidentally.

From time to time, especially when cutting thick or stalky weeds, the line feeding hub may become clogged with sap or other material and the line will become jammed as a result. To clear the jam, follow the steps listed below.

⚠ CAUTION: To avoid appliance damage, if the cutting line protrudes beyond the trimming blade, cut it off so that it just reaches the blade.

1. Remove battery from appliance.
2. Press the release tabs **23** on the spool cap **22**, and remove the spool cap from the spool housing **10**.
3. Pull the nylon line spool out and clear any broken line or cutting debris from the spool area.
4. Fit the spool onto the appliance as described in **Replacing Spool Assembly**.

Replacing Spool Assembly (Fig. N, O)

⚠ WARNING: The use of any accessory not recommended by CRAFTSMAN for use with this appliance could be hazardous.

⚠ WARNING: Do not use any blades, or any accessory or attachment other than those recommended by CRAFTSMAN on this trimmer/edger. Serious injury or product damage may result.

Reload nylon line (either bulk or prewound replacement spool) as shown in this manual.

USE ONLY .080" (2 mm) DIAMETER TWISTED NYLON MONOFILAMENT LINE. Do not use serrated or heavier gauge line, as they will overload the motor and cause overheating. This line is available at your local dealer or authorized service center.

1. Remove battery from appliance.
2. Press the release tabs **25** on the spool cap **22**, and remove the spool cap from the spool housing **10**.
3. For best results, replace spool with CRAFTSMAN Model # CMZST080.
4. If lever in base of housing becomes dislodged, replace in correct position before inserting new spool into housing.
5. Remove any dirt and grass from the spool cap and spool housing.
6. Unfasten the end of the cutting line and guide the line into the eyelet.
7. Take the new spool and push it onto the boss **26** in the housing. Rotate the spool slightly until it is seated.
8. The line should protrude approximately 5-3/8" (136 mm) from the housing.
9. Align the release tabs on the spool cap with the slots in the spool housing.
10. Snap the spool cap back on by depressing release tabs and pressing into spool housing.
11. Push the cap onto the housing until it snaps securely into place.

NOTE: Make sure that cover is fully positioned, listen for two audible clicks to ensure both release tabs are correctly located. Power the appliance on. In a few seconds or less you'll hear the nylon line being cut automatically to the proper length.

NOTE: Other replacement parts (guards, spool caps, etc.) are available through authorized service centers. To find your local service location call: **1-888-331-4569** or visit www.craftsman.com.

Rewinding Spool from Bulk Line (Fig. P, Q)

Use Only .080" (2 mm) TWISTED Diameter Line

Bulk line is also available for purchase from your local retailer.

NOTE: Hand wound spools from bulk line are likely to become tangled more frequently than CRAFTSMAN factory wound spools. For best results, factory wound spools are recommended.

1. Remove battery from appliance.
2. Remove the empty spool from the appliance as described in **Replacing Spool Assembly**.
3. Remove any remaining cutting line from the spool.
4. Make a fold at the end of the cutting line at about 3/4" (19 mm) **25**. Feed the cutting line into one of the line anchoring slots **28**.
5. Insert the 3/4" (19 mm) end of the bulk line into the hole **27** in the spool adjacent to the slot. Make sure the line is pulled tight against the spool.

- Wind the cutting line onto the spool in the direction of the arrow on the spool. Make sure to wind the line on neatly and in layers. Do not crisscross.
- When the wound cutting line reaches the recesses **29**, cut the line.
- Fit the spool onto the appliance as described in

Replacing Spool Assembly.

MAINTENANCE

WARNING: To reduce the risk of serious personal injury, turn unit off and remove the battery pack before making any adjustments or removing/installing attachments or accessories, when replacing line, or prior to cleaning. An accidental start-up can cause injury.

Your CRAFTSMAN power tool has been designed to operate over a long period of time with a minimum of maintenance. Continuous satisfactory operation depends upon proper tool care and regular cleaning.

Cleaning

WARNING: Blow dirt and dust out of all air vents with clean, dry air at least once a week. To minimize the risk of eye injury, always wear ANSI Z87.1 approved eye protection when performing this procedure.

WARNING: Never use solvents or other harsh chemicals for cleaning the non-metallic parts of the tool. These chemicals may weaken the plastic materials used in these parts. Use a cloth dampened only with water and mild soap. Never let any liquid get inside the tool; never immerse any part of the tool into a liquid.

Accessories

WARNING: Since accessories, other than those offered by CRAFTSMAN, have not been tested with this product, use of such accessories with this product could be hazardous. To reduce the risk of injury, only CRAFTSMAN recommended accessories should be used with this product.

Recommended accessories for use with your product are available at extra cost from your local dealer or authorized service center. If you need assistance in locating any accessory, please contact CRAFTSMAN call 1-888-331-4569.

Replacing the Guard with an Extended Coverage Guard (Fig. F, G)

An extended coverage guard is available (sold separately) for extra coverage if desired.

Use replacement Part Number NA248689.

WARNING: NEVER OPERATE APPLIANCE WITHOUT GUARD FIRMLY IN PLACE. The guard must always be properly attached on the appliance to protect the user.

Removing the Current Guard

- Remove the guard screw **19** shown in Fig. F, G.
- Slide the guard **11** off.

Assembling the New Guard

- Slide the guard into place as shown in Fig. F, G.
- Slide the guard **11** fully onto the motor housing **7**. Make sure the tabs **20** on the guard engage the ribs **16** on the trimmer head.
- Continue to slide the guard on until it “snaps” into place. The locking tab **18** should snap into the housing slot **17**.
- Using a crosshead screwdriver, insert the guard screw **19** and tighten securely.

Versatrack™ (Fig. R)

WARNING: To reduce the risk of serious personal injury, turn unit off and remove the battery pack before making any adjustments or removing/installing attachments or accessories. An accidental start-up can cause injury.

WARNING: To reduce the risk of serious personal injury, do not use a damaged Versatrack™ hang hook or Versatrack™ Trackwall. A damaged Versatrack™ hang hook or Versatrack™ Trackwall will not support the weight of the tool.

WARNING: To reduce the risk of serious personal injury, DO NOT suspend tool overhead or suspend objects from the hang hook. ONLY suspend tool on the Versatrack™ Trackwall using the hang hook.

WARNING: Ensure that the tool weight does not exceed the maximum rated weight of 20 lb (9 kg) for the selected Versatrack™ hook.

WARNING: When hanging objects on a Versatrack™ Trackwall rail, adequately space the tools in order to not exceed 75 lb (35 kg) per linear foot.

IMPORTANT: Versatrack™ accessories mount compatible tools securely to the Versatrack™ Trackwall system.

1. Turn the tool off, remove the battery pack and accessories.

⚠ CAUTION: *Any product with exposed cutting teeth must have them covered securely if it is to be on the Versatrack™ Trackwall.*

2. Mount the integral hang hook **30** to the Versatrack™ Trackwall.

NOTE: Versatrack™ accessories for use with your tool are available at extra cost from your local dealer or authorized service center. If you need assistance in locating any accessory, please contact CRAFTSMAN, call **1-888-331-4569**.

Repairs

The charger and batteries are not serviceable. There are no serviceable parts inside the charger or battery pack.

⚠ WARNING: *To assure product SAFETY and RELIABILITY, repairs, maintenance and adjustment (including brush inspection and replacement, when applicable) should be performed by a CRAFTSMAN factory service center or a CRAFTSMAN authorized service center. Always use identical replacement parts.*

Register Online

Thank you for your purchase. Register your product now for:

- **WARRANTY SERVICE:** Registering your product will help you obtain more efficient warranty service in case there is a problem with your product.
- **CONFIRMATION OF OWNERSHIP:** In case of an insurance loss, such as fire, flood or theft, your registration of ownership will serve as your proof of purchase.
- **FOR YOUR SAFETY:** Registering your product will allow us to contact you in the unlikely event a safety notification is required under the Federal Consumer Safety Act.
- Register online at **www.craftsman.com/registration**

Three Year Limited Warranty

CRAFTSMAN will repair or replace, without charge, any defects due to faulty materials or workmanship for three years from the date of purchase (two years for batteries). This warranty does not cover part failure due to normal wear or tool abuse. For further detail of warranty coverage and warranty repair information, visit **www.craftsman.com** or call **1-888-331-4569**. This warranty does not apply to accessories or damage caused where repairs have been made or attempted by others. THIS LIMITED WARRANTY IS GIVEN IN LIEU OF ALL OTHERS, INCLUDING THE IMPLIED WARRANTY OF MERCHANTABILITY AND FITNESS FOR A PARTICULAR PURPOSE, AND EXCLUDES ALL INCIDENTAL OR CONSEQUENTIAL DAMAGES. Some states do not allow limitations on how long an implied warranty lasts or the exclusion or limitation of incidental or consequential damages, so these limitations may not apply to you. This warranty gives you specific legal rights and you may have other rights which vary in certain states or provinces. In addition to the warranty, CRAFTSMAN tools are covered by our:

2 YEARS FREE SERVICE ON CRAFTSMAN BATTERY PACKS

CMCB201, CMCB209, CMCB2011, CMCB2015

3 YEARS FREE SERVICE ON CRAFTSMAN BATTERY PACKS

CMCB202, CMCB204, CMCB205, CMCB206

NOTE: Battery warranty voided if the battery pack is tampered with in any way. CRAFTSMAN is not responsible for any injury caused by tampering and may prosecute warranty fraud to the fullest extent permitted by law.

90 DAY MONEY BACK GUARANTEE

If you are not completely satisfied with the performance of your CRAFTSMAN Power Tool or Nailer for any reason, you can return it within 90 days from the date of purchase with a receipt for a full refund – no questions asked.

LATIN AMERICA: This warranty does not apply to products sold in Latin America. For products sold in Latin America, see country specific warranty information contained in the packaging, call the local company or see website for warranty information.

FREE WARNING LABEL REPLACEMENT: If your warning labels become illegible or are missing, call **1-888-331-4569** for a free replacement.

AVERTISSEMENT : lisez tous les avertissements de sécurité et toutes les instructions. Ne pas suivre les avertissements et les instructions peut entraîner un choc électrique, un incendie et/ou des blessures graves.

AVERTISSEMENT : pour réduire le risque de blessure, lisez le guide d'utilisation.

Utilisation prévue

AVERTISSEMENT : Ce produit n'est pas une déligneuse et n'est pas conçu pour être utilisé à des fins de délignage.

Le CMCST930 coupe-bordure est conçu pour les applications de coupe grand public.

NE PAS utiliser en conditions humides ou en présence de liquides ou de gaz inflammables.

NE PAS laisser les enfants entrer en contact avec l'outil. Une supervision est requise lorsque des utilisateurs inexpérimentés utilisent cet outil.

Définitions : Symboles et mentions d'alerte de sécurité

Cette notice d'utilisation utilise les symboles et les mentions d'alerte de sécurité suivants afin de vous alerter sur les situations dangereuses et les risques de blessures ou de dégâts matériels.

DANGER : indique une situation de risque imminent qui engendre, si elle n'est pas évitée, la mort ou de graves blessures.

AVERTISSEMENT : indique une situation de risque potentiel qui pourrait engendrer, si elle n'est pas évitée, la mort ou de graves blessures.

ATTENTION : indique une situation de risque potentiel qui peut engendrer, si elle n'est pas évitée, des blessures bénignes ou modérées.

(Utilisé sans mention) Indique un message lié à la sécurité.

REMARQUE : indique une pratique n'entraînant aucun risque de blessures mais qui, si elle n'est pas évitée, peut entraîner des dommages matériels.

AVERTISSEMENTS GÉNÉRAUX SUR LA SÉCURITÉ DES OUTILS

AVERTISSEMENT : lisez tous les avertissements de sécurité, toutes les instructions, les illustrations et les caractéristiques fournies avec cet outil électrique. Ne pas suivre toutes

les instructions comprises aux présentes peut conduire à un choc électrique, un incendie et/ou des blessures graves.

CONSERVER TOUS LES AVERTISSEMENTS ET TOUTES LES DIRECTIVES POUR UN USAGE ULTÉRIEUR

Le terme « outil électrique » cité dans les avertissements se rapporte à votre outil électrique à alimentation sur secteur (avec fil) ou par piles (sans fil).

1) Sécurité du lieu de travail

- Tenir l'aire de travail propre et bien éclairée.** Les lieux encombrés ou sombres sont propices aux accidents.
- Ne pas faire fonctionner d'outils électriques dans un milieu déflamant, tel qu'en présence de liquides, de gaz ou de poussières inflammables.** Les outils électriques produisent des étincelles qui pourraient enflammer la poussière ou les vapeurs.
- Éloigner les enfants et les personnes à proximité pendant l'utilisation d'un outil électrique.** Une distraction pourrait en faire perdre la maîtrise à l'utilisateur.

2) Sécurité en matière d'électricité

- Les fiches des outils électriques doivent correspondre à la prise. Ne jamais modifier la fiche d'aucune façon. Ne jamais utiliser de fiche d'adaptation avec un outil électrique mis à la terre.** Le risque de choc électrique sera réduit par l'utilisation de fiches non modifiées correspondant à la prise.
- Éviter tout contact physique avec des surfaces mises à la terre comme des tuyaux, des radiateurs, des cuisinières et des réfrigérateurs.** Le risque de choc électrique est plus élevé si votre corps est mis à la terre.
- Ne pas exposer les outils électriques à la pluie ou à l'humidité.** La pénétration de l'eau dans un outil électrique augmente le risque de choc électrique.
- Ne pas utiliser le cordon de façon abusive. Ne jamais utiliser le cordon pour transporter, tirer ou débrancher un outil électrique. Tenir le cordon éloigné de la chaleur, de l'huile, des bords tranchants et des pièces mobiles.** Les cordons endommagés ou enchevêtrés augmentent les risques de choc électrique.
- Pour l'utilisation d'un outil électrique à l'extérieur, se servir d'une rallonge convenant à cette application.** L'utilisation d'une rallonge conçue pour l'extérieur réduira les risques de choc électrique.
- S'il est impossible d'éviter l'utilisation d'un outil électrique dans un endroit humide, brancher l'outil dans une prise ou sur un circuit d'alimentation dotés d'un disjoncteur de fuite à la terre (GFCI).** L'utilisation de ce type de disjoncteur réduit les risques de choc électrique.

3) Sécurité personnelle

- a) **Être vigilant, surveiller le travail effectué et faire preuve de jugement lorsqu'un outil électrique est utilisé. Ne pas utiliser d'outil électrique en cas de fatigue ou sous l'influence de drogues, d'alcool ou de médicaments.** Un simple moment d'inattention en utilisant un outil électrique peut entraîner des blessures corporelles graves.
- b) **Utiliser des équipements de protection individuelle. Toujours porter une protection oculaire.** L'utilisation d'équipements de protection comme un masque antipoussière, des chaussures antidérapantes, un casque de sécurité ou des protecteurs auditifs lorsque la situation le requiert réduira les risques de blessures corporelles.
- c) **Empêcher les démarrages intempestifs. S'assurer que l'interrupteur se trouve à la position d'arrêt avant de relier l'outil à une source d'alimentation et/ou d'insérer un bloc-piles, de ramasser ou de transporter l'outil.** Transporter un outil électrique alors que le doigt repose sur l'interrupteur ou brancher un outil électrique dont l'interrupteur est à la position de marche risque de provoquer un accident.
- d) **Retirer toute clé de réglage ou clé avant de démarrer l'outil.** Une clé ou une clé de réglage attachée à une partie pivotante de l'outil électrique peut provoquer des blessures corporelles.
- e) **Ne pas trop tendre les bras. Conserver son équilibre en tout temps.** Cela permet de mieux maîtriser l'outil électrique dans les situations imprévues.
- f) **S'habiller de manière appropriée. Ne pas porter de vêtements amples ni de bijoux. Garder les cheveux, les vêtements et les gants à l'écart des pièces mobiles.** Les vêtements amples, les bijoux ou les cheveux longs risquent de rester coincés dans les pièces mobiles.
- g) **Si des composants sont fournis pour le raccordement de dispositifs de dépoussiérage et de ramassage, s'assurer que ceux-ci sont bien raccordés et utilisés.** L'utilisation d'un dispositif de dépoussiérage peut réduire les dangers engendrés par les poussières.
- h) **Ne pas laisser votre connaissance acquise suite l'utilisation fréquente des outils vous permettre de baisser la garde et ignorer les principes de sécurité de l'outil.** Un acte irréfléchi peut causer une blessure grave en une fraction de seconde.

4) Utilisation et entretien d'un outil électrique

- a) **Ne pas forcer un outil électrique. Utiliser l'outil électrique approprié à l'application.** L'outil électrique approprié effectuera un meilleur travail, de façon plus sûre et à la vitesse pour laquelle il a été conçu.
- b) **Ne pas utiliser un outil électrique dont l'interrupteur est défectueux.** Tout outil électrique dont l'interrupteur est défectueux est dangereux et doit être réparé.

- c) **Débranchez la fiche de la prise électrique et, si amovible, retirez le bloc-piles de l'outil avant d'effectuer tout ajustement, changement et entreposage de celui-ci.** Ces mesures préventives réduisent les risques de démarrage accidentel de l'outil électrique.
- d) **Ranger les outils électriques hors de la portée des enfants et ne permettre à aucune personne n'étant pas familière avec un outil électrique ou son mode d'emploi d'utiliser cet outil.** Les outils électriques deviennent dangereux entre les mains d'utilisateurs inexpérimentés.
- e) **Gardez les poignées et surfaces d'emprise propres et libres de tout produit lubrifiant. Vérifier si les pièces mobiles sont mal alignées ou coincées, si des pièces sont brisées ou présentent toute autre condition susceptible de nuire au bon fonctionnement de l'outil électrique. En cas de dommage, faire réparer l'outil électrique avant toute nouvelle utilisation.** Beaucoup d'accidents sont causés par des outils électriques mal entretenus.
- f) **S'assurer que les outils de coupe sont aiguisés et propres.** Les outils de coupe bien entretenus et affûtés sont moins susceptibles de se coincer et sont plus faciles à maîtriser.
- g) **Utiliser l'outil électrique, les accessoires, les forets, etc. conformément aux présentes directives en tenant compte des conditions de travail et du travail à effectuer.** L'utilisation d'un outil électrique pour toute opération autre que celle pour laquelle il a été conçu est dangereuse.
- h) **Garder vos mains et les surfaces de prise sèches, propres et libres de graisse et de poussière.** Les mains et les surfaces de prise glissantes ne permettent pas la manutention et le contrôle sécuritaires de l'outil dans les situations imprévues.

5) Utilisation et entretien du bloc-piles

- a) **Ne recharger l'outil qu'au moyen du chargeur précisé par le fabricant.** L'utilisation d'un chargeur qui convient à un type de bloc-piles risque de provoquer un incendie s'il est utilisé avec un autre type de bloc-piles.
- b) **Utiliser les outils électriques uniquement avec les bloc-piles conçus à cet effet.** L'utilisation de tout autre bloc-piles risque de causer des blessures ou un incendie.
- c) **Lorsque le bloc-piles n'est pas utilisé, le tenir éloigné des objets métalliques, notamment des trombones, de la monnaie, des clés, des clous, des vis ou autres petits objets métalliques qui peuvent établir une connexion entre les deux bornes.** Le court-circuit des bornes du bloc-piles risque de provoquer des brûlures ou un incendie.
- d) **En cas d'utilisation abusive, le liquide peut gicler hors du bloc-piles; éviter tout contact avec ce liquide. Si un contact accidentel se produit, laver à grande eau. Si le liquide entre en contact avec les yeux, obtenir également des soins médicaux.**

Le liquide qui gicle hors du bloc-piles peut provoquer des irritations ou des brûlures.

- e) **Ne pas utiliser de bloc-piles ou outil qui a été endommagé ou modifié.** Les unités endommagées ou modifiées peuvent avoir une réaction imprévisible résultant en un incendie, une explosion ou un potentiel de blessure.
- f) **Ne pas exposer de bloc-piles ou l'outil aux flammes ou à des températures excessives.** L'exposition aux flammes ou à une température au-dessus de 130 °C (265 °F) pourrait causer une explosion.
- g) **Suivre toutes les instructions de recharge et ne rechargez pas le bloc-piles ou l'outil à des températures hors de la plage de température indiquée dans les instructions.** Une recharge non conforme ou à une température hors des limites spécifiées peut endommager les piles et augmenter le risque d'incendie.


6) Réparation

- a) **Faire réparer l'outil électrique par un réparateur professionnel en n'utilisant que des pièces de rechange identiques.** Cela permettra de maintenir une utilisation sécuritaire de l'outil électriques.
- b) **Ne jamais réparer des blocs-piles endommagés.** La réparation de blocs-piles doit seulement être effectuée par le fabricant ou les fournisseurs de service autorisé.

Avertissements importants concernant la sécurité

 **AVERTISSEMENT :** Lors de l'utilisation d'outils de jardinage électriques, les mesures de précaution de base devraient toujours être prises pour réduire la possibilité d'incendie, de choc électrique et de blessures, en suivant les recommandations suivantes.

 **AVERTISSEMENT :** Ne pas retirer la protection. La protection doit être fixée pendant l'utilisation. Utiliser ce coupe-bordure sans la protection porte atteinte à la garantie du produit.

 **ATTENTION :** Pour remplacer le fil, utilisez uniquement du fil nylon mono-filament torsadé de 0,080" (2 mm). D'autres diamètres ou formes pourraient réduire la performance ou endommager le coupe-bordure.

LISEZ TOUTES LES INSTRUCTIONS

- **PORTEZ TOUJOURS UNE PROTECTION POUR LES YEUX** - Portez des lunettes de protection en tout temps lorsque le bloc-pile est installé. Ces articles sont disponibles à l'achat.
- **PROTECTION** - ne pas utiliser cet appareil sans avoir fixé la protection.

- **PORTEZ DES VÊTEMENTS APPROPRIÉS** - ne portez pas des vêtements amples ou des bijoux. Ils peuvent se coincer dans les pièces mobiles. Les gants et les chaussettes à semelles en caoutchouc solides sont recommandés lorsque vous travaillez à l'extérieur. Ne pas utiliser cet outil lorsque vous êtes pieds nus ou que vous portez des sandales ouvertes. Portez des pantalons longs pour protéger vos jambes. Portez une protection pour vos cheveux afin de les retenir.
- **FIL EN NYLON** - gardez votre visage, vos mains et vos pieds hors de portez du fil en rotation en tout temps.
- **LE FIL EN ROTATION A UNE FONCTION DE COUPE** - faites attention lorsque vous coupez autour des moustiquaires et des plantes désirables.
- **NE PAS UTILISER** des matériaux non recommandés, comme un fil de métal, une corde et d'autres matériaux semblables.
- **TENEZ TOUS LES PASSANTS À L'ÉCART** - à une distance sécuritaire de la zone de travail, particulièrement les enfants.
- **TENEZ LES ENFANTS, LES PASSANTS ET LES ANIMAUX À L'ÉCART** de la zone de travail à un minimum de 30 pieds (10 mètres) lorsque vous démarrez ou utilisez l'outil.
- **AFIN DE RÉDUIRE LE RISQUE** de blessures par rebond (ricochet), travaillez à distance de tout objet solide à proximité comme un mur, des marches, une grosse pierre, un arbre, etc. Faites très attention lorsque vous travaillez près d'objets solides et au besoin, faites une coupe à la main.
- **ÉVITEZ LE DÉMARRAGE ACCIDENTEL** - Ne portez pas le coupe-bordure lorsque le bloc-pile est installé avec un doigt sur la gâchette.
- **UTILISEZ LE BON OUTIL** - n'utilisez pas cet outil pour toute tâche autre que celles pour lesquelles il est conçu.
- **NE VOUS ÉTIREZ PAS** - maintenez vos pieds bien d'aplomb sur le sol et un bon équilibre en tout temps.
- **NE PAS FORCER L'appareil** - le travail sera mieux fait et avec moins de risque de blessure à la vitesse pour laquelle il a été conçu.
- **DOMMAGES À L'APPAREIL** - S'il est heurté ou emmêlé avec un objet étranger, arrêtez immédiatement l'appareil, retirez le bloc-pile, vérifiez les dommages et faites-les réparer avant toute utilisation ultérieure. Ne pas l'utiliser avec un moyeu ou une bobine brisé.
- **DÉBRANCHEZ LE COUPE-BORDURE** - Retirez le bloc-piles lorsque vous ne l'utilisez pas, lorsque vous remplacez le fil ou avant de le nettoyer.
- **ÉVITEZ LES CONDITIONS ENVIRONNEMENTALES DANGEREUSES** - n'utilisez pas d'outils électriques dans des endroits humides ou mouillés. Suivez toutes les instructions dans le manuel d'instructions pour une utilisation appropriée de votre appareil. Ne pas utiliser l'outil sous la pluie.
- **NE PAS UTILISER** les outils électriques portatifs dans une atmosphère gazeuse ou explosive. Les moteurs de ces outils produisent des étincelles et ces étincelles pourraient enflammer les vapeurs.
- **ENTREPOSEZ LES OUTILS ARRÊTÉS À L'INTÉRIEUR** - Retirez le bloc-piles lorsque l'appareil n'est pas utilisé, il doit être entreposé à l'intérieur dans une endroit sec et verrouillé hors de la portée des enfants.

- **DEMEUREZ VIGILANT** - n'utilisez pas cet outil lorsque vous êtes fatigué, malade ou sous l'influence de l'alcool, de drogues ou de médicaments.
- **ENTRETENEZ VOS OUTILS AVEC SOIN** - suivez les instructions dans la section Entretien. Gardez vos mains sèches, propres et exemptes d'huile et de graisse.
- **VÉRIFIEZ LES PIÈCES ENDOMMAGÉES** - Avant toute utilisation ultérieure de l'outil, une protection ou une autre pièce qui est endommagée doit être soigneusement vérifiée afin de déterminer s'il fonctionnera correctement et s'il effectuera la fonction prévue. Vérifiez l'alignement des pièces qui se déplacent, les fixations des pièces qui se déplacent, le bris des pièces, le montage et tout autre état qui peut affecter son utilisation. Une protection ou une autre pièce qui est endommagée doit être convenablement réparée ou remplacée par un centre de service autorisé sauf indication contraire dans ce manuel.
- **NE PAS** immerger l'outil dans l'eau ou l'asperger avec un tuyau. NE PAS laisser pénétrer tout liquide à l'intérieur.
- **NE PAS** entreposer l'outil sur ou près de fertilisants ou de produits chimiques.
- **NE PAS** nettoyer avec une laveuse à pression.
- Maintenez les protections en place en bon état de fonctionnement.
- Gardez vos mains et vos pieds à distance de la zone de coupe.
- **INSPECTEZ LA ZONE** avant d'utiliser l'outil. Retirez tous des débris et les objets durs comme des roches, du verre, les fils, etc. qui peuvent ricocher, être projetés ou d'une façon ou d'une autre causer une blessure ou des dommages durant l'utilisation.

⚠ AVERTISSEMENT : Si la gâchette ne met pas l'outil en marche ou si elle ne l'éteint pas, ne pas se servir de l'outil. Tout outil qui ne peut être contrôlé avec la gâchette est dangereux et doit être réparé.

Avertissements de sécurité supplémentaires

AVERTISSEMENT : Afin de réduire le risque de blessures par rebond (ricochet), travaillez à distance de tout objet solide à proximité comme un mur, des marches, une grosse pierre, un arbre, etc.

- **PROTECTION** - ne pas utiliser cet outil sans avoir fixé la protection.
- **PORTEZ DES VÊTEMENTS APPROPRIÉS** - ne portez pas des vêtements amples ou des bijoux. Ils peuvent se coincer dans les pièces mobiles. Les gants et les chaussures à semelles en caoutchouc solides sont recommandés lorsque vous travaillez à l'extérieur. Ne pas utiliser cet outil lorsque vous êtes pieds nus ou que vous portez des sandales ouvertes. Portez des pantalons longs pour protéger vos jambes. Portez une protection pour vos cheveux afin de les retenir.
- **GARDEZ VOTRE VISAGE, VOS MAINS ET VOS PIEDS HORS DE PORTEZ DU FIL EN ROTATION EN TOUT TEMPS.** Le fil en rotation a une fonction de coupe : faites

attention lorsque vous coupez autour des moustiquaires et des plantes désirables.

- **TENEZ TOUS LES PASSANTS À L'ÉCART** à une distance sécuritaire de la zone de travail, particulièrement les enfants. ASSUREZ-VOUS que les autres personnes et les animaux sont à une distance d'au moins 100 pieds (30 m).
- **FAITES TRÈS ATTENTION** lorsque vous travaillez près d'objets solides et au besoin, taillez à la main.
- **DOMMAGES À L'OUTIL :** en cas de choc ou d'enchevêtrement avec un corps étranger, arrêtez immédiatement l'outil, retirez la pile, vérifiez les dommages et faites-les réparer avant de tenter de le réutiliser. Ne pas l'utiliser avec un moyeu ou une bobine brisés.
- **DEMEUREZ VIGILANT :** ne pas utiliser cet outil lorsque vous êtes fatigué, malade ou sous l'influence de l'alcool, de drogues ou de médicaments.
- **NE PAS** immerger l'outil dans l'eau ou l'asperger avec un tuyau.
- **NE PAS** laisser pénétrer du liquide à l'intérieur. Si l'outil est mouillé, laissez-le sécher pendant au moins 48 heures.
- **NE PAS** nettoyer avec une laveuse à pression.
- **NE PAS** entreposer l'appareil sur ou près de fertilisants ou de produits chimiques.
- **NE PAS** charger l'outil sous la pluie ou dans des endroits mouillés.
- **ENTREPOSEZ LES OUTILS ARRÊTÉS À L'INTÉRIEUR** - lorsqu'ils ne sont pas utilisés, les outils doivent être entreposés à l'intérieur dans un endroit sec et verrouillé hors de portée des enfants.

Renseignements de sécurité supplémentaires

⚠ AVERTISSEMENT : Ne modifiez jamais l'outil électrique ou toute pièce de celui-ci. Cela pourrait entraîner des dommages matériels ou des blessures corporelles.

⚠ AVERTISSEMENT : Portez **TOUJOURS** des lunettes de sécurité. Les lunettes ordinaires NE SONT PAS des lunettes de sécurité. Utilisez également un masque facial si l'opération est poussiéreuse. PORTEZ TOUJOURS UN ÉQUIPEMENT DE SÉCURITÉ CERTIFIÉ :

- Protection oculaire ANSI Z87.1 (CAN/CSA Z94.3),
- Protection auditive ANSI S12.6 (S3.19),
- Protection respiratoire NIOSH/OSHA/MSHA.

⚠ AVERTISSEMENT : Certaines poussières contiennent des produits chimiques reconnus dans l'État de la Californie pour causer le cancer et des anomalies congénitales ou autres effets nuisibles sur la reproduction. Certains exemples de ces produits chimiques sont :

- des composants de fertilisants,

- des composants d'insecticides, d'herbicides et de pesticides,
- l'arsenic et le chrome provenant du bois de construction traité chimiquement.

Pour réduire votre exposition à ces produits chimiques, porter un équipement de sécurité approuvé, comme un masque cache-poussière spécialement conçu pour filtrer les particules microscopiques.

- **Évitez le contact prolongé avec la poussière provenant du ponçage mécanique, du sciage, de l'aiguisage, du perçage et d'autres activités de construction. Portez des vêtements protecteurs et lavez vos zones exposées avec du savon et de l'eau.** Permettre à la poussière d'entrer dans votre bouche, vos yeux ou la laisser sur la peau peut favoriser l'absorption des produits chimiques dangereux.

AVERTISSEMENT : L'utilisation de cet outil peut générer et/ou disperser de la poussière qui peut causer des lésions respiratoires graves et permanentes ou d'autres blessures. Utilisez toujours une protection respiratoire approuvée par NIOSH/OSHA appropriée pour l'exposition à la poussière. Dirigez les particules loin du visage et du corps.

AVERTISSEMENT : Portez toujours une protection auditive personnelle appropriée conforme à ANSI S12.6 (S3.19) durant l'utilisation. Dans certaines conditions et selon la durée d'utilisation, le bruit provenant de ce produit peut contribuer à la perte de l'audition.

ATTENTION : Lorsque vous ne l'utilisez pas, placez l'outil sur le côté sur une surface stable là où cela n'entraînera pas un risque de trébuchement ou de chute. Certains outils avec de gros blocs-piles tiennent debout, mais ils peuvent facilement être renversés.

- Les événements couvrent souvent des pièces qui se déplacent et doivent être évités. Des vêtements amples, les bijoux ou les cheveux longs peuvent se coincer dans des pièces qui déplacent.

L'étiquette sur votre outil peut inclure les symboles suivants. Voici ces symboles et leur signification :

V	volts	sfp	pieds surface par
Hz	hertz			minute
min	minutes	SPM		Coups par minute
⎓	ou CC courant continu	A		ampères
Ⓢ	Fabrication de classe I (relié à la terre)	W		watts
.../min	par minute	Wh		watts/heure
BPM	battements par minute	Ah		ampères/heure
IPM	impacts par minute	~ ou CA		courant alternatif
OPM	oscillations par minute	⎓ ou CA/CC		courant alternatif ou continu
TR/MIN	tours par minute	Ⓢ		Fabrication de classe II (double isolation)
		n ₀		vitesse à vide

n	vitesse nominale	Ⓢ		portez une protection respiratoire
PSI	livres par pouce carré	Ⓢ		portez une protection oculaire
Ⓢ	borne de terre	Ⓢ		portez des protections auditives
⚠	symbole d'alerte de sécurité	Ⓢ		Lisez toute la documentation
⚠	rayonnement visible ne regardez pas la lumière	Ⓢ		Ne pas exposer à la pluie

PILES ET CHARGEURS

Le bloc-piles n'est pas entièrement chargé lorsqu'il sort de la boîte. Avant d'utiliser le bloc-piles et le chargeur, lisez attentivement les instructions de sécurité suivantes, puis suivez les procédures de chargement énoncées. Lorsque vous commandez des blocs-piles de remplacement, assurez-vous d'inclure le numéro du catalogue et la tension.

LISEZ TOUTES LES INSTRUCTIONS

Consignes de sécurité importantes pour les blocs-piles

AVERTISSEMENT : lisez toutes les consignes de sécurité, les instructions et les symboles d'avertissements du bloc-piles, du chargeur et du produit. Ne pas suivre les avertissements et les instructions peut entraîner un choc électrique, un incendie et/ou des blessures graves.

- Ne pas charger ou utiliser le bloc-piles en atmosphères explosibles comme la présence de liquides inflammables, de gaz ou de poussière. Insérer ou retirer la pile du bloc-piles peut enflammer la poussière ou les vapeurs.
 - Ne JAMAIS forcer le bloc-piles dans le chargeur. NE PAS modifier le bloc-piles de quelque façon que ce soit dans un chargeur non compatible puisque le bloc-piles peut se briser causant une blessure corporelle. Consultez le tableau à la fin de ce guide pour la compatibilité des blocs-piles et des chargeurs.
 - Chargez les blocs-piles seulement dans .
 - NE PAS éclabousser ou immerger dans l'eau ou tout autre liquide.
 - NE PAS laisser l'eau ou tout liquide entre dans le bloc-piles.
 - Ne pas entreposer ou utiliser l'outil et le bloc-piles dans des endroits où la température peut atteindre ou excéder 40 °C (104 °F) (comme les remises extérieures ou les édifices en métal durant l'été). Pour une meilleure durée de vie, entreposez le bloc-piles dans un endroit frais et sec.
- REMARQUE :** Ne pas ranger les blocs-piles dans un outil avec la gâchette verrouillée. Ne jamais coller la gâchette avec du ruban adhésif en position Marche.

- **Ne pas brûler le bloc-piles même s'il est gravement endommagé ou est entièrement usé.** Le bloc-piles peut exploser au cours d'un incendie. Des vapeurs et des matières toxiques sont produites lorsque les blocs-piles au lithium-ion sont brûlés.
- **Ne pas exposer de bloc-piles ou l'outil aux flammes ou à des températures excessives.** L'exposition aux flammes ou à une température au-dessus de 130 °C (265 °F) pourrait causer une explosion.
- **Suivez les instructions de recharge et ne chargez pas le bloc-piles ou l'appareil en hors de la plage de températures indiquée dans les instructions.** Charger de façon inappropriée ou hors de températures de la plage indiquée peut endommager la pile et augmenter le risque d'incendie.
- **Si le liquide des piles entre en contact avec la peau, lavez immédiatement avec de l'eau et du savon doux.** Si le liquide vient en contact avec les yeux, rincez à l'eau courante durant 15 minutes, ou jusqu'à ce que l'irritation cesse, en gardant les yeux ouverts. Pour information de consultation médicale, l'électrolyte des piles est composé d'un mélange organique liquide et de sels de lithium.
- **Le contenu des piles peut causer une irritation respiratoire.** Faites circuler de l'air frais. Si les symptômes persistent, consultez un médecin.
- **Le liquide des piles peut être inflammable s'il est exposé aux étincelles ou aux flammes.**
- **Ne jamais tenter d'ouvrir le bloc-piles pour quelque raison que ce soit. Si le boîtier du bloc-piles est fendu ou endommagé, ne pas l'insérer dans le chargeur.** Ne pas écraser, échapper ou endommager le bloc-piles. Ne pas se servir d'un bloc-piles ou chargeur qui a subi un impact, a été échappé, renversé par un véhicule ou endommagé d'une façon ou d'une autre (par ex. perforé par un clou, frappé par un marteau, sur lequel on a marché). Les blocs-piles endommagés devraient être amenés/expédiés au centre de service pour recyclage.

Recommandations d'entreposage

Le meilleur lieu pour l'entreposage est un endroit frais et sec loin de la lumière directe du soleil et de la chaleur ou du froid excessif. Entreposez le bloc-piles entièrement chargé hors du chargeur.

Instructions de nettoyage du bloc-piles

La saleté et la graisse peuvent être retirées des surfaces extérieures du bloc-piles à l'aide d'un linge ou d'une brosse souple non métallique. Ne pas utiliser d'eau ou de solution nettoyante.

Blocs-piles du niveau de la jauge de carburant (Fig. B)

Certains blocs-piles incluent une jauge de carburant. Lorsque vous appuyez et maintenez, les voyants DEL

indiqueront le niveau approximatif de charge restante. Cela n'indique pas la fonctionnalité de l'outil et peut varier selon les accessoires utilisés, la température et l'utilisation de l'utilisateur final.

Transport

⚠ AVERTISSEMENT : *danger d'incendie. Ne pas entreposer ou transporter le bloc-piles de manière à ce que des objets métalliques puissent entrer en contact avec les bornes des piles exposées.* Par exemple, ne pas placer le bloc-piles dans des tabliers, des poches, des coffres à outils, des boîtes d'ensembles de produits, des tiroirs, etc. avec des clous, des vis, des clés, les pièces de monnaie, les outils à main, etc. Lorsque vous transportez des blocs-piles individuels, assurez-vous que leurs bornes sont protégées et bien isolées de tout matériel avec lequel elles pourraient entrer en contact et causer un court-circuit. **REMARQUE :** Les blocs-piles Li-Ion ne doivent pas être mises dans des bagages enregistrés sur les avions et doivent être bien protégées contre les courts-circuits si elles sont dans des bagages à main.

Le sceau RBRC^{MC}

Veillez apporter vos blocs-piles usagés à un centre de service agréé CRAFTSMAN ou à votre détaillant local pour le recyclage.

Dans certaines régions, il est illégal de mettre les blocs-piles usagés à la poubelle. Vous pouvez aussi contacter votre centre de recyclage local pour des informations sur les endroits où déposer le bloc-piles usagé. Ne pas mettre dans la collecte sélective. Pour de plus amples renseignements, visitez www.call2recycle.org ou appelez au numéro sans frais dans le sceau RBRC^{MC}. RBRC^{MC} est une marque de commerce déposée de Call 2 Recycle, Inc.



Consignes de sécurité importantes pour tous les chargeurs de piles

⚠ AVERTISSEMENT : *lisez toutes les consignes de sécurité, les instructions et les symboles d'avertissements du bloc-piles, du chargeur et du produit. Ne pas suivre les avertissements et les instructions peut entraîner un choc électrique, un incendie et/ou des blessures graves.*

- **NE PAS tenter de charger le bloc-piles avec un chargeur autre qu'un chargeur CRAFTSMAN.** Les chargeurs et les blocs-piles CRAFTSMAN sont spécifiquement conçus pour fonctionner ensemble.
- **Ces chargeurs ne sont pas destinés à d'autres utilisations que la charge des blocs-piles rechargeables CRAFTSMAN.** Les autres types de chargement de blocs-piles peuvent causer la surchauffe et l'éclatement de ceux-ci, entraînant une blessure

corporelle, des dommages matériels, un choc électrique ou une électrocution.

- **Ne pas exposer le chargeur à la pluie ou la neige.**
- **Ne pas laisser l'eau ou tout liquide entrer dans le chargeur.**
- **Tirez la fiche au lieu du cordon lorsque vous débranchez le chargeur.** Cela réduira le risque d'endommager la fiche et le cordon électriques.
- **Assurez-vous de ne pas placer le cordon là où il pourrait faire trébucher les passants ou être endommagé de quelque façon que ce soit.**
- **Ne pas utiliser une rallonge à moins que ce ne soit absolument nécessaire.** L'utilisation d'une rallonge inadéquate pourrait entraîner un risque d'incendie un choc électrique ou une électrocution.
- **Lors de l'utilisation d'un chargeur à l'extérieur, gardez-le toujours au sec et utilisez une rallonge appropriée pour l'extérieur.** L'utilisation d'une rallonge appropriée pour l'extérieur réduit le risque de choc électrique.
- **Une rallonge doit avoir un calibre de fil (AWG ou calibrage américain normalisé des fils) approprié pour la sécurité.** Plus le numéro de calibre du fil est petit, plus le cordon est lourd et par conséquent plus sa capacité est grande. Un cordon de taille inférieure entraînera une chute de tension de secteur ce qui causera une perte de puissance et une surchauffe. Le tableau suivant affiche la bonne taille à utiliser selon longueur totale des de toutes les rallonges branchées ensemble et l'intensité nominale de la plaque signalétique. En cas de doute, utilisez le calibre le plus lourd suivant.

Calibre minimum pour rallonges électriques

Volts		Longueur totale de la rallonge en pieds (mètres)			
120 V		25 (7,6)	50 (15,2)	100 (30,5)	150 (45,7)
Courant nominal		AWG (American Wire Gauge)			
Plus de	Pas plus de				
0	6	18	16	16	14
6	10	18	16	14	12
10	12	16	16	14	12
12	16	14	12	Non recommandé	

- **Ne pas placer tout objet sur le dessus du chargeur ou placer le chargeur sur une surface molle qui pourrait bloquer les fentes de ventilation et entraîner une chaleur interne excessive.** Placez le chargeur loin de toute source de chaleur. Le chargeur est ventilé grâce aux fentes du dessus et du bas du boîtier.
- **Ne pas utiliser le chargeur avec un cordon endommagé.** Faites-les remplacer immédiatement.
- **Ne pas utiliser le chargeur s'il a reçu un choc violent, s'il a été échappé ou est autrement endommagé de quelque façon que ce soit.** Apportez-le dans un centre de services autorisé.
- **Ne pas démonter le chargeur; apportez-le dans un centre de services autorisé lorsqu'un entretien ou une réparation est nécessaire.** Un mauvais réassemblage

peut entraîner un danger de choc électrique, une électrocution ou un incendie.

- **Le chargeur est conçu pour fonctionner sur une alimentation électrique domestique 120 V. Ne pas essayer de l'utiliser sur toute autre tension.** Cette consigne ne concerne pas le chargeur pour véhicule.
- **Les matières étrangères conductrices telles, mais sans s'y limiter, les poussières de meulage, les copeaux métalliques, la laine d'acier, le papier d'aluminium ou toute accumulation de particules métalliques devraient être éloignées des ouvertures du chargeur et des fentes de ventilation.**
- **Débranchez toujours le chargeur de l'alimentation lorsqu'il n'y a aucun bloc-piles à l'intérieur.**

Charger une pile (Fig. B—D)

1. Branchez le chargeur dans une prise appropriée.
2. Insérez et appuyez complètement le bloc-piles. Vert clignotera(ont) de façon continue durant le chargement.
3. Le chargement est terminé lorsque le(s) voyant(s) de chargement vert demeure(nt) allumé(s) de façon continue. Le bloc-piles peut être laissé dans le chargeur ou retiré.

⚠ AVERTISSEMENT : chargez seulement le bloc-piles si la température de l'air est au-dessus de 4,5 °C (40 °F) et sous 40 °C (104 °F).

4. Le chargeur ne chargera pas un bloc-piles défectueux, ce qui peut être indiqué par le(s) voyant(s) de chargement qui reste(nt) éteint(s). Apportez le chargeur et le bloc-piles dans un centre de services autorisé si le(s) voyant(s) reste(nt) éteint(s).

REMARQUE : Consultez l'étiquette près du (des) voyant(s) de chargement sur le chargeur pour les modèles de clignotement.

REMARQUE : Pour retirer le bloc-piles, on doit appuyer sur le bouton de libération du bloc-piles sur certains chargeurs.

Délai en cas de bloc chaud ou froid

Lorsque le chargeur détecte un bloc-piles qui est trop chaud ou trop froid, il démarre automatiquement le délai pour le bloc chaud/froid, suspendant la recharge jusqu'à ce que la température du bloc-piles ait atteint une température appropriée. Le chargeur passe alors automatiquement en mode de chargement du bloc-piles. Cette fonction assure une durée de vie maximale du bloc-piles.

Un bloc-piles froid peut se charger à une vitesse plus lente qu'un bloc-piles chaud.

Le délai en cas de bloc chaud ou froid sera indiqué par le(s) voyant(s) vert continuant à clignoter, mais avec le voyant rouge allumé de façon continue. Lorsque le bloc-piles a atteint une température appropriée, le voyant rouge s'éteindra et le chargeur reprendra la procédure de chargement.

Système de protection électronique

Les outils Li-Ion sont conçus avec un système de protection électronique qui protégera le bloc-piles contre une

surcharge, une surchauffe et une importante décharge. L'outil s'éteint automatiquement et le bloc-piles doit être rechargé.

Remarques importantes sur la charge

1. Pour augmenter la durée de vie du bloc-piles et optimiser son rendement, le recharger à une température ambiante de 18 °C à 24 °C (65 °F à 75 °F). NE PAS charger lorsque le bloc-piles est en dessous de +4,5 °C (+40 °F) ou au-dessus de +40 °C (+104 °F). C'est important pour prévenir tout dommage sérieux au bloc-piles.
2. Le chargeur et le bloc-piles peuvent devenir chauds au toucher durant le chargement. C'est un état normal et cela n'indique pas un problème. Pour faciliter le refroidissement du bloc-piles après l'utilisation, évitez de placer le chargeur ou le bloc-piles dans un environnement chaud comme une remise en métal ou une remorque non isolée.
3. Si le bloc-piles ne charge pas de adéquatement :
 - a. Vérifiez le fonctionnement de la prise en branchant une lampe ou un autre appareil;
 - b. Vérifiez si la prise d'alimentation est connectée à un interrupteur de lumière qui s'éteint lorsque vous éteignez les lumières;
 - c. Si les problèmes de chargement persistent, apportez l'outil, le bloc-piles et le chargeur dans votre centre de services local.
4. Vous pouvez charger un bloc partiellement utilisé au moment désiré sans effet indésirable sur le bloc-piles.

Instructions de nettoyage du chargeur

AVERTISSEMENT : *danger de choc électrique. Débranchez le chargeur de la prise CA avant de nettoyer. La saleté et la graisse peuvent être retirées des surfaces extérieures du chargeur à l'aide d'un linge ou d'une brosse souple non métallique. Ne pas utiliser d'eau ou de solution nettoyante.*

Montage mural

Certains chargeurs CRAFTSMAN sont conçus pour pouvoir être installés au mur ou être placés verticalement sur une table ou une surface de travail. Pour la fixation au mur, placez le chargeur près d'une prise de courant et loin d'un coin ou d'autres obstructions qui peuvent nuire à la circulation de l'air. Utilisez la base du chargeur comme modèle pour l'emplacement des vis de montage sur le mur. Fixez solidement le chargeur à l'aide de vis pour cloison sèche (achetées séparément) d'au moins 1 po (25,4 mm) de longueur avec tête de diamètre de 0,28 à 0,35 po (7 à 9 mm) vissées dans du bois à une profondeur optimale en laissant exposée une partie de vis d'environ 7/32 po (5,5 mm). Alignez les fentes au dos du chargeur avec les vis exposées et insérez-les entièrement dans les fentes.

REMARQUE : Ne pas tenter de monter le chargeur CMCB101 sous un banc ou une table.

REMARQUE : Montez seulement le chargeur CMCB101 avec les voyants de chargement pointés vers le plafond.

VersaTrack™

AVERTISSEMENT : *Ne pas charger les piles pendant que le chargeur est suspendu au rail mural.*

LES CHARGEURS CRAFTSMAN, sauf CMCB101, peuvent être rangés sur le rail mural VersaTrack™ de Craftsman. Les crochets et les accessoires sont vendus séparément. Veuillez consulter la feuille d'accessoires des fixations VersaTrack™ pour de plus amples renseignements.

REMARQUE : Le chargeur CMCB101 n'est pas compatible avec le rail mural VersaTrack™ de CRAFTSMAN.

CONSERVEZ CES INSTRUCTIONS POUR UTILISATION ULTÉRIEURE ASSEMBLAGE ET AJUSTEMENTS

AVERTISSEMENT : *Afin de réduire le risque des blessures corporelles graves, arrêtez l'appareil et, retirez le blocs-piles avant d'effectuer tout réglage ou de retirer/installer des pièces ou des accessoires, when replacing line, or prior to cleaning. Un démarrage accidentel peut causer des blessures.*

Assembler le manche (Fig. A, E)

1. Pour installer le manche inférieur **9** dans le manche supérieur **8**, alignez le cliquet d'arrêt **14** avec le logement du cliquet **15** comme illustré à la Fig. E.
2. Poussez les deux manches ensemble afin que le cliquet d'arrêt **14** s'engage dans le logement du cliquet **15**.
3. Vérifiez que les deux manches sont connectés de façon sécuritaire en tirant dessus et assurez-vous que le cliquet d'arrêt reste engagé dans son logement.

AVERTISSEMENT : *Vérifiez toujours que le cliquet d'arrêt est totalement sécuritaire en position. Si le cliquet d'arrêt n'est pas totalement sécuritaire, les ensembles peuvent se détacher et créer une situation dangereuse. Vérifiez régulièrement les connexions afin de vous assurer que le cliquet d'arrêt est complètement fixé en place.*

Installer la protection (Fig. F, G)

AVERTISSEMENT : *Ne jamais retirer la protection. Cela pourrait entraîner des dommages matériels ou des blessures corporelles.*

AVERTISSEMENT : *NE JAMAIS FAIRE FONCTIONNER L'OUTIL SANS QUE LA PROTECTION SOIT FERMEMENT FIXÉE EN PLACE. La protection doit toujours être bien fixée à l'outil pour protéger les utilisateurs.*

1. Retirez la vis de la protection **19**.
2. Glissez la protection **11** entièrement sur le carter du moteur **7**. Assurez-vous que les languettes **20** sur la protection s'enclenchent dans les nervures **16** de la tête du coupe-bordure.
3. Continuez à glisser la protection jusqu'à ce qu'elle « clique » en place. La languette de verrouillage **18** doit s'enclencher dans la fente du carter **17**.
4. À l'aide d'un tournevis cruciforme, insérez la vis de la protection **19** et vissez solidement.
5. Une fois la protection installée, retirez le capot du fil de coupe, situé à l'extrémité de la protection.

Réglage de la largeur de coupe (Fig. G)

Cette protection permet deux tailles de largeur de coupe, 13 pouces ou 11 pouces.

1. Pour régler la position du fil de coupe **32**, retirez les vis **33** qui fixent le fil de coupe **32** en place.
2. Positionnez le fil de coupe **32** sur la deuxième position de la protection et sécurisez-le avec les vis **33**.

REMARQUE : Déplacer le fil de coupe **32** plus près du boîtier de la bobine diminue la taille de la largeur de coupe.

Fixer la poignée auxiliaire (Fig. H)

1. Retirez le bouton de la poignée **18** et le boulon **19** de la poignée auxiliaire **6**.
2. Poussez la poignée auxiliaire **6** sur le haut du manche supérieur du coupe-bordure **8** comme illustré à la Fig. H.
3. Vissez le boulon de la poignée **19** dans le trou de montage sur la poignée auxiliaire **6**.
4. Vissez le bouton de la poignée **18** sur le boulon de la poignée **19** et serrez fermement. Assurez-vous que la poignée est en position sécuritaire avant utilisation.
5. Pour ajuster la position de la poignée auxiliaire, desserrez le bouton de la poignée **18** et faites glisser cette dernière **6** de haut en bas sur le manche jusqu'à ce qu'elle se trouve à l'emplacement voulu. Serrez le bouton de la poignée **18** pour fixer la poignée auxiliaire **6** en position.

Libération du fil de coupe (Fig. A)

Durant le transport, le fil de coupe est collé au boîtier de la bobine **10**.

- Retirer le ruban adhésif retenant le fil de coupe au boîtier de la bobine.

FONCTIONNEMENT

⚠ AVERTISSEMENT :
afin de réduire le risque de blessure corporelle grave, éteignez l'outil et retirez le bloc-piles avant de transporter, d'effectuer tout ajustement, de nettoyer, de réparer ou de retirer/installer des pièces ou des accessoires. Un démarrage accidentel peut causer des blessures.

Installation et retrait du bloc-piles (Fig. G)

⚠ AVERTISSEMENT : *s'assurer que l'outil/appareil est en position « Off » avant d'insérer le bloc-piles.*

REMARQUE : pour une meilleure performance, assurez-vous que le bloc-piles est complètement chargé.

1. Pour installer le bloc-piles **12** dans l'outil, alignez le bloc-piles avec les glissières à l'intérieur de la poignée de l'outil et glissez-le dans la poignée jusqu'à ce que le bloc-piles soit bien placé dans l'outil et assurez-vous qu'il est enclenché.
2. Pour retirer le bloc-piles de l'outil, appuyez sur le bouton de libération **13** et tirez-le fermement hors de la poignée de l'outil. Insérez-le dans le chargeur comme indiqué dans la section relative au chargeur du présent manuel.

Position correcte des mains (Fig. K)

⚠ AVERTISSEMENT : *pour réduire tout risque de dommages corporels graves, adopter SYSTÉMATIQUEMENT la position des mains illustrée.*

⚠ AVERTISSEMENT : *pour réduire tout risque de dommages corporels graves, maintenir SYSTÉMATIQUEMENT l'outil fermement pour anticiper toute réaction soudaine.*

Une position des mains adéquate nécessite une main sur la poignée principale **5** et une main sur la poignée auxiliaire **6**.

Mettre en marche et éteindre le coupe-bordure (Fig. A)

⚠ AVERTISSEMENT : *Ne tentez jamais de verrouiller la gâchette lorsque l'outil est en marche.*

1. Pour mettre l'appareil en marche, appuyez sur le bouton de déverrouillage **2** puis sur la gâchette **1**. Une fois l'outil en fonction, vous pouvez relâcher le bouton de déverrouillage.
2. Pour éteindre l'appareil, relâchez la gâchette.

Bouton de réglage de la vitesse (Fig. J)

Ce coupe-bordure vous donne le choix de l'utiliser à une vitesse plus efficace afin de prolonger la durée d'exécution pour de plus gros travaux ou d'accélérer la vitesse du coupe-bordure pour une coupe à performance élevée.

Pour accélérer le coupe-bordure, appuyez sur le bouton de réglage de la vitesse **3** vers la poignée auxiliaire **6** en position « HI ». Ce mode est le meilleur pour couper dans une croissance plus dense et pour des applications ayant besoin d'un régime moteur plus élevé.

Pour prolonger la durée de service, tirez sur le bouton de réglage de la vitesse vers le boîtier du bloc-pile **21** en

position « LO ». Ce mode est le meilleur pour les projets plus gros qui nécessitent plus de temps pour se terminer.

REMARQUE : En mode « HI », la durée d'exécution diminuera comparée à lorsque le coupe-bordure est en mode « LO ».

Bouton d'alimentation du fil (Fig. J)

La fonction d'alimentation du fil permet de faire sortir la longueur du fil de coupe disponible tout en taillant.

- Pour faire sortir le fil de coupe, enfoncez complètement le bouton d'alimentation du fil **4** en taillant, puis relâchez-le.

REMARQUE : Le coupe-bordure cesse de couper lorsque le bouton d'alimentation du fil est enfoncé et reprend la coupe lorsqu'il est relâché.

REMARQUE : Pour une longueur maximale de fil, appuyez plusieurs fois sur le bouton jusqu'à ce vous entendiez le fil frapper la protection. Ne pas maintenir le bouton d'alimentation du fil enfoncé une fois la longueur maximale atteinte. Cela causerait une suralimentation et une vidange rapide de la bobine.

Coupe de taille (Fig. K—M)

⚠ AVERTISSEMENT : *Gardez le fil en rotation à peu près parallèle au sol (incliné au maximum de 10 degrés). Ce coupe-bordure n'est pas une déligneuse. NE PAS INCLINER le coupe-bordure afin que le fil tourne en angle presque droit avec le sol. Les débris projetés peuvent causer de graves blessures.*

⚠ ATTENTION : *Assurez-vous que les autres personnes et les animaux sont à une distance d'au moins 100 pi (30 m). Les débris projetés peuvent causer de graves blessures.*

1. Le coupe-bordure en marche, inclinez-le et balancez-le comme illustré à la Fig. L.
2. Maintenez un angle de coupe de 5° à 10°. Ne dépassez pas 10°. Coupez avec le bout du fil.
3. Maintenez une distance minimale de 24" (610 mm) entre la protection et vos pieds comme illustré à la Fig. M.

Conseils de coupe utile (Fig. N)

- Utilisez l'extrémité du fil pour effectuer la coupe; ne pas forcer la tête du fil dans l'herbe non coupée. Utilisez le guide de bord le long des clôtures, des maisons, les plates-bandes pour de meilleures pratiques.
- Fil et palissades corde supplémentaire User, voire rupture. Bois, les bordures et les murs de Pierre et de brique, peuvent porter des string rapidement.
- Ne laissez pas le couvercle de bobine **22** à traîner sur le sol ou d'autres surfaces.
- Croissance longue, coupe du haut vers le bas et ne pas dépasser 330 mm (13 po) de haut.
- Gardez tondeuse incliné vers la zone à couper ; Il s'agit de la meilleure zone de coupe.

- La tondeuse coupe lors du passage de l'unité de la gauche à droite. Vous éviterez jetant les débris à l'opérateur.
- Éviter les arbres et les arbustes. Écorce d'arbre, moulures de bois, parement et piquets de clôture peuvent facilement être endommagés par la chaîne.

Fil de coupe / Avance du fil

Votre coupe-bordure utilise un fil de nylon HÉLICOÏDAL ayant un diamètre de 0,080 po (2 mm). Lors d'utilisation, l'extrémité du fil de nylon s'usera et se divisera en plusieurs brins. Le fil de coupe s'use plus rapidement et demande plus d'avance si la coupe est effectuée le long de trottoirs ou autres surfaces abrasives ou encore lorsque des mauvaises herbes plus résistantes sont coupées.

Dégager des blocages et un fil de coupe emmêlé (Fig. N)

⚠ AVERTISSEMENT : *retirez la pile de l'appareil avant tout assemblage, réglages ou changement d'accessoires. Ces mesures de sécurité préventives réduisent le risque de démarrage accidentel de l'appareil.*

De temps à autre, en particulier si vous coupez des mauvaises herbes à tige plus dense, le moyeu d'avance du fil peut s'encrasser de sève ou autre matière et la ligne peut se bloquer pour cette raison. Procédez aux étapes ci-dessous pour dégager le blocage.

⚠ ATTENTION : *afin d'éviter d'endommager l'outil, si le fil de coupe dépasse la lame de coupe, coupez-le afin qu'il atteigne tout juste la lame.*

1. Retirez la pile de l'appareil.
2. Appuyez sur les languettes de libération **23** sur le capuchon de la bobine **22**, et retirez ce capuchon du boîtier de la bobine **10**.
3. Sortez la bobine de fil puis éliminez le fil coupé ou les débris de coupe de la bobine.
4. Ajuster la bobine sur le coupe-bordure comme indiqué à la section **Remplacer l'assemblage de la bobine**.

Remplacer l'assemblage de la bobine (Fig. N, O)

⚠ AVERTISSEMENT : *l'utilisation de tout accessoire non recommandé par CRAFTSMAN avec cet appareil pourrait être dangereuse.*

⚠ AVERTISSEMENT : *ne pas utiliser toute lame, tout accessoire ou toute fixation autre que ceux recommandés CRAFTSMAN sur ce taille-bordure. Cela peut causer une blessure grave ou des dommages matériels.*

Faites la recharge du fil de nylon (en vrac ou en bobine) comme expliqué dans le présent manuel.
UTILISEZ SEULEMENT UN FIL DE NYLON HÉLICOÏDAL AYANT UN DIAMÈTRE DE 2 mm (0,080 po). Ne pas utiliser de fil ondulé ou de plus gros calibre, car ils surchargeraient et feraient surchauffer le moteur. Ce fil est disponible chez votre détaillant local ou un centre de services autorisé.

1. Retirez la pile de l'appareil.
2. Appuyez sur les languettes de libération **25** sur le capuchon de la bobine **22** et retirez le capuchon de la bobine du boîtier de la bobine **3**.
3. Pour les meilleurs résultats, remplacez la bobine par une autre ayant le numéro de modèle # CMZST080 de CRAFTSMAN.
4. Si le levier à la base du boîtier se décroche, remplacez-le dans la bonne position avant d'insérer une nouvelle bobine dans le boîtier.
5. Retirez la saleté et l'herbe du capuchon de la bobine et du boîtier de la bobine.
6. Détachez l'extrémité du fil de coupe et faites entrer le fil dans l'œillet.
7. Prenez la nouvelle bobine et poussez-la sur le bossage **26** dans le boîtier. Tournez légèrement la bobine jusqu'à ce qu'elle se mette en place.
8. Le fil doit dépasser du boîtier d'environ 136 mm (5-3/8 po).
9. Alignez les languettes de libération sur le capuchon de la bobine avec les fentes dans le boîtier de la bobine.
10. Remettez le capuchon de la bobine en appuyant sur les languettes de libération et enfoncez dans la bobine dans le boîtier.
11. Enfoncez le couvercle sur le boîtier de manière à ce qu'il s'enclenche bien en place.

REMARQUE : Assurez-vous que le capuchon est bien placé, soyez à l'écoute pour entendre les deux clics audibles pour vous assurer que languettes de libération sont bien placées. Mettez sous tension l'appareil. En quelques secondes ou moins vous entendrez le fil de nylon à couper automatiquement à la bonne longueur.

REMARQUE : D'autres pièces de remplacement (gardes, capuchons de bobines etc.) sont disponibles aux centres de services autorisés. Pour localiser votre service local, composez : **1-888-331-4569** ou visitez www.craftsman.com

Rembobinage de la bobine avec du fil en vrac (Fig. P, Q)

Utiliser uniquement un fil rond de 2 mm (0,080 po) de diamètre

Le fil en vrac est également offert par les détaillants locaux.
REMARQUE : Le fil en vrac des bobines enroulées à la main est susceptible de s'enchevêtrer plus souvent que le fil des bobines enroulées dans une usine CRAFTSMAN. Pour obtenir des résultats optimaux, il est recommandé d'utiliser des bobines embobinées à l'usine.

1. Retirez la pile de l'appareil.
2. Retirez la bobine vide de l'appareil comme décrit dans **Remplacer l'assemblage de la bobine**.
3. Retirez tout fil résiduel de la bobine.
4. Faites un pli à l'extrémité du fil de coupe à environ 19 mm (3/4 po) **25**. Insérez le fil dans l'une des fentes d'ancrage **28**.
5. Insérez l'extrémité du fil en vrac de 19 mm (3/4 po) dans le trou **27** dans la bobine adjacente à la fente. Assurez-vous que le fil est bien serré contre la bobine.
6. Enroulez le fil de coupe sur la bobine dans le sens de la flèche sur la bobine. S'assurer de bobiner le fil de façon ordonnée une couche après l'autre. Ne pas entrecroiser.
7. Lorsque le fil de coupe enroulé atteint les encoches **29**, coupez le fil.
8. Ajuster la bobine sur le coupe-bordure comme indiqué à la section **Remplacer l'assemblage de la bobine**.

ENTRETIEN

⚠ AVERTISSEMENT : *afin de réduire le risque de blessure corporelle, éteignez l'appareil et retirez le bloc-piles avant d'effectuer tout ajustement ou de retirer/installer des pièces ou des accessoires, lorsque vous remplacez ou avant de nettoyer. Un déclenchement accidentel du démarrage peut causer des blessures.*

Votre outil électrique CRAFTSMAN a été conçu pour fonctionner longtemps avec un minimum de entretien. Le fonctionnement continu et satisfaisant de l'outil dépendra d'une entretien adéquate et d'un nettoyage régulier.

Nettoyage

⚠ AVERTISSEMENT : *enlever les saletés et la poussière hors des événements au moyen d'air comprimé propre et sec, au moins une fois par semaine. Pour minimiser le risque de blessure aux yeux, toujours porter une protection oculaire conforme à la norme ANSI Z87.1 lors du nettoyage.*

⚠ AVERTISSEMENT : *ne jamais utiliser de solvants ni d'autres produits chimiques puissants pour nettoyer les pièces non métalliques de l'outil. Ces produits chimiques peuvent affaiblir les matériaux de plastique utilisés dans ces pièces. Utiliser un chiffon humecté uniquement d'eau et de savon doux. Ne jamais laisser de liquide pénétrer dans l'outil et n'immerger aucune partie de l'outil dans un liquide.*

Accessoires

⚠ AVERTISSEMENT : *les accessoires autres que CRAFTSMAN n'ayant pas été testés avec ce produit, leur utilisation avec cet outil peut s'avérer*

dangereuse. Pour réduire le risque de blessure, seuls les accessoires recommandés par CRAFTSMAN doivent être utilisés avec ce produit.

Les accessoires recommandés pour utilisation avec cet outil sont disponibles à un coût supplémentaire chez votre détaillant local ou dans un centre de services autorisé. Si vous avez besoin d'aide pour localiser un accessoire, contactez CRAFTSMAN appelez au **1-888-331-4569**.

Remplacer le protecteur (Fig. F, G)

⚠️ AVERTISSEMENT : *ne jamais faire fonctionner l'outil sans que le protecteur soit fermement fixé en place. Cela pourrait entraîner des dommages matériels ou des blessures corporelles.*

Retirer le protecteur actuel

1. Retirez la vis du protecteur **19** illustrée à la Fig. F, G.
2. Sortez le protecteur **11**.

Assembler le nouveau protecteur

1. Glissez le protecteur en place comme illustré à la Fig. F.
2. Remettez et serrez solidement la vis du protecteur **19**.

Versatrack™ (Fig. R)

⚠️ AVERTISSEMENT : *Afin de réduire le risque des blessures corporelles graves, éteignez l'outil et retirez le blocs-piles avant d'effectuer tout réglage ou de retirer/installer des pièces ou des accessoires. Un démarrage accidentel peut causer des blessures.*

⚠️ AVERTISSEMENT : *Pour réduire le risque de blessures graves, ne pas se servir d'un crochet Versatrack™ de suspension ou VersaTrack™ Trackwall endommagé. Un crochet Versatrack™ de suspension ou VersaTrack™ Trackwall endommagé ne peut supporter le poids de l'outil.*

⚠️ AVERTISSEMENT : *Pour réduire le risque de blessures graves, NE PAS suspendre l'outil au-dessus de la tête ni suspendre d'autres objets au crochet de suspension. Suspendez SEULEMENT l'outil sur le rail mural Versatrack™ à l'aide du de suspension.*

⚠️ AVERTISSEMENT : *Assurez-vous que le poids de l'outil ne dépasse pas le poids nominal maximum de 20 lb (9 kg) pour le crochet Versatrack™ sélectionné.*

⚠️ AVERTISSEMENT : *Lorsque vous suspendez des objets sur un rail mural Versatrack™, distancez adéquatement les outils de sorte à ne pas excéder 75 lb (35 kg) par pied linéaire.*

IMPORTANT : Les accessoires Versatrack™ permettent d'installer des outils compatibles de façon sécuritaire sur le système de rail mural Versatrack™.

1. Éteignez l'outil, retirez le bloc-pile et les accessoires.

⚠️ ATTENTION : *Tout produit avec dents coupantes exposées doit être couvert de façon sécuritaire s'il doit être mis sur le rail mural Versatrack™.*

2. Installez le crochet de suspension intégré **30** sur le Versatrack™ Trackwall.

REMARQUE : Les accessoires Versatrack™ pour utilisation avec cet outil sont disponibles à un coût supplémentaire chez votre détaillant local ou dans un centre de services autorisé. Si vous avez besoin d'aide pour trouver un accessoire, veuillez contacter CRAFTSMAN, appelez au **1-888-331-4569**.

Réparations

Le chargeur et le bloc-piles ne sont pas réparables. Le chargeur ou le bloc-piles ne comportent aucune pièce réparable.

⚠️ AVERTISSEMENT : *pour assurer la SÉCURITÉ et la FIABILITÉ du produit, les réparations, l'entretien et les réglages doivent être réalisés (cela comprend l'inspection et le remplacement du balai, le cas échéant) par un centre de réparation en usine CRAFTSMAN ou un centre de réparation agréé CRAFTSMAN. Toujours utiliser des pièces de rechange identiques.*

Enregistrez-vous en ligne

Nous vous remercions de votre achat. Enregistrez votre produit maintenant pour :

- **SERVICE DE GARANTIE :** l'enregistrement de votre produit en ligne vous aide à obtenir un service de garantie efficace au cas où vous auriez un problème avec votre produit.
- **CONFIRMATION DE PROPRIÉTÉ :** en cas de pertes liées aux assurances telles qu'un incendie, une inondation ou un vol, votre enregistrement de propriété servira de preuve de votre achat.
- **POUR VOTRE SÉCURITÉ :** l'enregistrement de votre produit nous permet de vous contacter dans le cas peu probable d'une notification de sécurité requise selon le Federal Consumer Safety Act.
- Inscrivez-vous en ligne sur www.craftsman.com/registration

Garantie limitée de trois ans

CRAFTSMAN réparera ou remplacera sans frais tout appareil défectueux pour cause de défaut de matériau ou de main-d'œuvre sur une période de trois ans à partir de la date d'achat (deux ans pour les blocs-piles). Cette garantie ne couvre pas les pièces en panne pour cause d'abus ou d'usure normale de l'outil. Pour plus de détails au sujet de la couverture de la garantie et l'information de réparation sous garantie, consultez le site www.craftsman.com ou composez le **1-888-331-4569**. Cette garantie ne s'applique pas aux accessoires ou dommages causés par des réparations effectuées ou tentées par d'autres. CETTE GARANTIE REMPLACE TOUTES LES AUTRES, INCLUANT LES GARANTIES IMPLICITES DE LA QUALITÉ MARCHANDE ET L'APTITUDE POUR UN BUT PARTICULIER, ET EXCLUT TOUS LES DOMMAGES ACCIDENTELS OU CONSÉCUTIFS. Certaines provinces ne permettent pas de limitation sur la durée de la garantie implicite ou l'exclusion ou la limitation de dommages indirects, alors ces limitations peuvent ne pas s'appliquer à vous. Cette garantie vous donne des droits légaux particuliers et vous pouvez avoir d'autres droits qui varient selon les états ou les provinces.

En plus de la garantie, CRAFTSMAN les outils sont couverts par notre :

ENTRETIEN GRATUIT DURANT 2 ANS SUR LES BLOCS-PILES CRAFTSMAN

CMCB201, CMCB209, CMCB2011, CMCB2015

ENTRETIEN GRATUIT DURANT 3 ANS SUR LES BLOCS-PILES CRAFTSMAN

CMCB202, CMCB204, CMCB205, CMCB206

REMARQUE : La garantie du bloc-piles est annulée si le bloc-piles est altéré de quelque façon que ce soit. CRAFTSMAN n'est pas responsable de toute blessure causée par une altération et peut tenter des poursuites pour fraude de garantie dans les limites des lois en vigueur.

GARANTIE DE REMBOURSEMENT DE 90 JOURS

Si vous n'êtes pas entièrement satisfait de la performance de votre outil électrique ou de votre cloueuse CRAFTSMAN, vous pouvez le retourner dans un délai de 90 jours de la date d'achat avec une preuve d'achat pour un remboursement complet, sans aucune raison à fournir.

AMÉRIQUE LATINE : La présente garantie ne s'applique pas aux produits vendus en Amérique latine. Pour les produits vendus en Amérique latine, consultez les renseignements sur la garantie particulière au pays comprise dans l'emballage, appelez l'entreprise locale ou consultez le site Web pour les renseignements complets sur la garantie.

REMPLACEMENT DES ÉTIQUETTES D'AVERTISSEMENT GRATUIT :

Si vos étiquettes d'avertissement deviennent illisibles ou sont manquantes, appelez le **1-888-331-4569** pour un remplacement gratuit.

⚠️ ADVERTENCIA: *Lea todas las advertencias de seguridad e instrucciones. El incumplimiento de las advertencias e instrucciones puede provocar descargas eléctricas, incendios o lesiones graves.*

⚠️ ADVERTENCIA: *Para reducir el riesgo de lesiones, lea el manual de instrucciones.*

Uso pretendido

⚠️ ADVERTENCIA: *Este producto no es una bordeadora y no está destinado para utilizarse para bordes.*

La CMCST930 podadora de cuerda está diseñada para aplicaciones de poda domésticas.

NO use bajo condiciones húmedas o en presencia de líquidos o gases inflamables.

NO permita que niños estén en contacto con la herramienta. Se requiere supervisión cuando operadores sin experiencia operen esta herramienta.

Definiciones: Símbolos y Palabras de Alerta de Seguridad

Las siguientes definiciones describen el nivel de gravedad de cada palabra de advertencia. Lea el manual de la herramienta eléctrica y preste atención a estos símbolos.

⚠️ PELIGRO: *Indica una situación de peligro inminente que, si no se evita, provocará la muerte o lesiones graves.*

⚠️ ADVERTENCIA: *Indica una situación de peligro potencial que, si no se evita, podría provocar la muerte o lesiones graves.*

⚠️ ATENCIÓN: *Indica una situación de peligro potencial que, si no se evita, posiblemente provocaría lesiones leves o moderadas.*

⚠️ (Utilizado sin palabras) indica un mensaje de seguridad relacionado.

AVISO: *Se refiere a una práctica no relacionada a lesiones corporales que de no evitarse puede resultar en daños a la propiedad.*

ADVERTENCIAS GENERALES DE SEGURIDAD PARA HERRAMIENTAS ELÉCTRICAS

⚠️ ADVERTENCIA: *Lea todas las advertencias de seguridad, instrucciones, ilustraciones y especificaciones incluidas con esta herramienta eléctrica. La falla en seguir todas las instrucciones siguientes puede resultar en descarga eléctrica, incendio y/o lesiones serias.*

CONSERVE TODAS LAS ADVERTENCIAS E INSTRUCCIONES PARA FUTURAS CONSULTAS

El término "herramienta eléctrica" incluido en las advertencias hace referencia a las herramientas eléctricas operadas con corriente (con cable eléctrico) o a las herramientas eléctricas operadas con baterías (inalámbricas).

1) Seguridad en el Área de Trabajo

- Mantenga el área de trabajo limpia y bien iluminada.** *Las áreas abarrotadas y oscuras propician accidentes.*
- No opere las herramientas eléctricas en atmósferas explosivas, como ambientes donde haya polvo, gases o líquidos inflamables.** *Las herramientas eléctricas originan chispas que pueden encender el polvo o los vapores.*
- Mantenga alejados a los niños y a los espectadores de la herramienta eléctrica en funcionamiento.** *Las distracciones pueden provocar la pérdida de control.*

2) Seguridad Eléctrica

- Los enchufes de la herramienta eléctrica deben adaptarse al tomacorriente. Nunca modifique el enchufe de ninguna manera. No utilice ningún enchufe adaptador con herramientas eléctricas con conexión a tierra.** *Los enchufes no modificados y que se adaptan a los tomacorrientes reducirán el riesgo de descarga eléctrica.*
- Evite el contacto corporal con superficies con descargas a tierra como, por ejemplo, tuberías, radiadores, cocinas eléctricas y refrigeradores.** *Existe mayor riesgo de descarga eléctrica si su cuerpo está puesto a tierra.*
- No exponga las herramientas eléctricas a la lluvia o a condiciones de humedad.** *Si entra agua a una herramienta eléctrica, aumentará el riesgo de descarga eléctrica.*
- No maltrate el cable. Nunca utilice el cable para transportar, tirar o desenchufar la herramienta eléctrica. Mantenga el cable alejado del calor, el aceite, los bordes filosos y las piezas móviles.** *Los cables dañados o enredados aumentan el riesgo de descarga eléctrica.*
- Al operar una herramienta eléctrica en el exterior, utilice un cable prolongador adecuado para tal uso.** *Utilice un cable adecuado para uso en exteriores a fin de reducir el riesgo de descarga eléctrica.*
- Si el uso de una herramienta eléctrica en un lugar húmedo es imposible de evitar, utilice un suministro protegido con un interruptor de circuito por falla a tierra (GFCI).** *El uso de un GFCI reduce el riesgo de descargas eléctricas.*

3) Seguridad Personal

- Permanezca alerta, controle lo que está haciendo y utilice el sentido común cuando emplee una herramienta eléctrica. No utilice una herramienta**

eléctrica si está cansado o bajo el efecto de drogas, alcohol o medicamentos. Un momento de descuido mientras se opera una herramienta eléctrica puede provocar lesiones personales graves.

- b) **Utilice equipos de protección personal. Siempre utilice protección para los ojos.** En las condiciones adecuadas, el uso de equipos de protección, como máscaras para polvo, calzado de seguridad antidislizante, cascos o protección auditiva, reducirá las lesiones personales.
- c) **Evite el encendido por accidente. Asegúrese de que el interruptor esté en la posición de apagado antes de conectarlo a la fuente de energía o paquete de baterías, o antes de levantar o transportar la herramienta.** Transportar herramientas eléctricas con el dedo apoyado en el interruptor o enchufar herramientas eléctricas con el interruptor en la posición de encendido puede propiciar accidentes.
- d) **Retire la clavija de ajuste o la llave de tuercas antes de encender la herramienta eléctrica.** Una llave de tuercas o una clavija de ajuste que quede conectada a una pieza giratoria de la herramienta eléctrica puede provocar lesiones personales.
- e) **No se estire. Conserve el equilibrio y párese adecuadamente en todo momento.** Esto permite un mejor control de la herramienta eléctrica en situaciones inesperadas.
- f) **Use la vestimenta adecuada. No use ropas holgadas ni joyas. Mantenga el cabello, la ropa y los guantes alejados de las piezas en movimiento.** Las ropas holgadas, las joyas o el cabello largo pueden quedar atrapados en las piezas en movimiento.
- g) **Si se suministran dispositivos para la conexión de accesorios con fines de recolección y extracción de polvo, asegúrese de que estén conectados y que se utilicen correctamente.** El uso de dispositivos de recolección de polvo puede reducir los peligros relacionados con el polvo.
- h) **No permita que la familiaridad obtenida a partir del uso frecuente de herramientas le permitan volverse descuidado e ignorar los principios de seguridad de la herramienta.** Una acción descuidada puede causar lesiones severas en una fracción de segundo.

4) Uso y Mantenimiento de la Herramienta Eléctrica

- a) **No fuerce la herramienta eléctrica. Utilice la herramienta eléctrica correcta para el trabajo que realizará.** Si se la utiliza a la velocidad para la que fue diseñada, la herramienta eléctrica correcta permite trabajar mejor y de manera más segura.
- b) **No utilice la herramienta eléctrica si no puede encenderla o apagarla con el interruptor.** Toda herramienta eléctrica que no pueda ser controlada mediante el interruptor es peligrosa y debe repararse.

- c) **Desconecte el enchufe de la fuente de alimentación y/o retire la batería, o paquete si es desmontable, de la herramienta eléctrica antes de realizar cualquier ajuste, cambiar accesorios o almacenar herramientas eléctricas.** Estas medidas de seguridad preventivas reducen el riesgo de encender la herramienta eléctrica en forma accidental.
- d) **Guarde la herramienta eléctrica que no esté en uso fuera del alcance de los niños y no permita que otras personas no familiarizadas con ella o con estas instrucciones operen la herramienta.** Las herramientas eléctricas son peligrosas si son operadas por usuarios no capacitados.
- e) **Dé mantenimiento a las herramientas eléctricas y accesorios. Revise que no haya piezas en movimiento mal alineadas o trabadas, piezas rotas o cualquier otra situación que pueda afectar el funcionamiento de la herramienta eléctrica. Si encuentra daños, haga reparar la herramienta eléctrica antes de utilizarla.** Se producen muchos accidentes a causa de las herramientas eléctricas que carecen de un mantenimiento adecuado.
- f) **Mantenga las herramientas de corte afiladas y limpias.** Las herramientas de corte con mantenimiento adecuado y con los bordes de corte afilados no menos propensas a trabarse y son más fáciles de controlar.
- g) **Utilice la herramienta eléctrica, los accesorios y las brocas de la herramienta, etc. de acuerdo con estas instrucciones y teniendo en cuenta las condiciones de trabajo y el trabajo que debe realizarse.** El uso de la herramienta eléctrica para operaciones diferentes de aquéllas para las que fue diseñada podría originar una situación peligrosa.
- h) **Mantenga las manijas y superficies de sujeción secas, limpias y libres de aceite y grasa.** Las manijas y superficies de sujeción resbalosas no permiten el manejo y control seguros de la herramienta en situaciones inesperadas.

5) Uso y Mantenimiento de la Herramienta con Baterías

- a) **Recargue solamente con el cargador especificado por el fabricante.** Un cargador adecuado para un tipo de paquete de baterías puede originar riesgo de incendio si se utiliza con otro paquete de baterías.
- b) **Utilice herramientas eléctricas sólo con paquetes de baterías específicamente diseñados.** El uso de cualquier otro paquete de baterías puede producir riesgo de incendio y lesiones.
- c) **Cuando no utilice el paquete de baterías, manténgalo lejos de otros objetos metálicos como sujetapapeles, monedas, llaves, clavos, tornillos u otros objetos metálicos pequeños que puedan realizar una conexión desde un terminal al otro.** Los cortocircuitos en los terminales de la batería pueden provocar quemaduras o incendio.
- d) **En condiciones abusivas, el líquido puede ser expulsado de la batería. Evite su contacto. Si**

entra en contacto accidentalmente, enjuague con agua. Si el líquido entra en contacto con los ojos, busque atención médica. El líquido expulsado de la batería puede provocar irritación o quemaduras.

- e) **No use un paquete de batería o herramienta que estén dañados o modificados.** Las baterías dañadas o modificadas pueden presentar un comportamiento impredecible que resulte en incendios, explosión o riesgo de lesiones."
- f) **No exponga un paquete de batería o una herramienta a fuego o temperatura excesiva.** La exposición a fuego o temperaturas mayores a 130 °C (265 °F) pueden causar una explosión."
- g) **Siga todas las instrucciones de carga y no cargue el paquete de batería o la herramienta fuera del rango de temperatura especificado en las instrucciones.** Cargar inadecuadamente o en una temperatura fuera del rango de temperatura especificado puede dañar la batería e incrementar el riesgo de incendio.

6) Mantenimiento

- a) **Solicite a una persona calificada en reparaciones que realice el mantenimiento de su herramienta eléctrica y que sólo utilice piezas de repuesto idénticas.** Esto garantizará la seguridad de la herramienta eléctrica.
- b) **Nunca dé servicio a paquetes de batería dañados.** El servicio de paquetes de batería sólo debe ser realizado por el fabricante o proveedores de servicio autorizados.

Advertencias de seguridad importantes



ADVERTENCIA: Cuando use aparatos de jardinería eléctricos, siempre se deben seguir las precauciones de seguridad básica para reducir el riesgo de incendio, descarga eléctrica, y lesiones personales, incluyendo las siguientes.



ADVERTENCIA: No retire la protección. La protección debe ser conectada durante el uso. Operar esta desbrozadora sin la protección violará la garantía del producto.



PRECAUCIÓN: Al reemplazar la línea, sólo use una línea de 0.080" (2 mm) de diámetro de monofilamento de nylon trenzado. Otros diámetros o formas pueden degradar el desempeño o causar daños a la desbrozadora.

LEA TODAS LAS INSTRUCCIONES

- **SIEMPRE USE PROTECCIÓN PARA LOS OJOS** – Use gafas y lentes de seguridad en todo momento cuando la batería esté instalada. Estos artículos están disponibles para adquisición.
- **PROTECCIÓN** – No use este aparato sin la protección incluida.

- **USE VESTIMENTA CORRECTA** – No use ropa suelta o joyas. Pueden quedar atrapados en las partes móviles. Se recomiendan guantes y calzado de suela de hule cuando trabaje al aire libre. No opere el aparato cuando esté descalzo o use sandalias abiertas. Use pantalones largos pesados para proteger sus piernas. Use una cubierta de protección para el cabello para cubrir el cabello largo.
- **LÍNEA DE NYLON** – Mantenga la cara, las manos y los pies alejados de la línea de nylon giratoria en todo momento.
- **LA LÍNEA GIRATORIA REALIZA UNA FUNCIÓN DE CORTE** – Tenga cuidado al recortar alrededor de las pantallas y plantas deseables.
- **NO UTILICE** materiales no recomendados, como alambre metálico, cuerda y similares.
- **MANTENGA A TODOS LOS TRANSEÚNTES ALEJADOS** – a una distancia segura del área de trabajo, especialmente a niños.
- **MANTENGA A LOS NIÑOS, TRANSEÚNTES Y ANIMALES ALEJADOS** del área de trabajo un mínimo de 30 pies (10 metros) cuando arranque u opere la unidad.
- **PARA REDUCIR EL RIESGO** de lesión de rebote, trabaje alejado de cualquier objeto sólido cercano, tal como pared, peldaños, piedra grande, árbol, etc. Tenga mucho cuidado al trabajar cerca de objetos sólidos y cuando sea necesario, recorte a mano.
- **EVITE ARRANCAR ACCIDENTALMENTE** – No transporte la podadora cuando la batería esté instalada con el dedo en el gatillo.
- **UTILICE EL APARATO CORRECTO** – No utilice este aparato para ningún trabajo excepto para el que está diseñado.
- **NO SE ESTIRE EN EXCESO** – Mantenga la pisada y el equilibrio adecuados en todo momento.
- **NO FUERCE EL APARATO** – Hará el trabajo mejor y con menos probabilidad de un riesgo de lesión en la velocidad para la que se diseñó.
- **DAÑO A LA UNIDAD** – Si golpea o se enreda en un objeto extraño, detenga el aparato de inmediato, retire la batería, revise respecto a daño y pida que se repare cualquier daño antes de intentar cualquier operación adicional. No opere con un cubo o un carrito rotos.
- **DESCONECTE LA DESBROZADORA** – Retire la batería cuando no esté en uso, cuando reemplace la línea, o antes de la limpieza.
- **EVITE CONDICIONES AMBIENTALES PELIGROSAS** – No use aparatos eléctricos en ubicaciones mojadas o húmedas. Siga todas las instrucciones de este manual de instrucciones para la operación correcta de su aparato. No use el aparato en la lluvia.
- **NO OPERE** aparatos eléctricos portátiles en una atmósfera gaseosa o explosiva. Los motores de estos aparatos pueden producir chispas, y éstas pueden encender los vapores.
- **GUARDE LOS APARATOS SIN USO EN INTERIORES** – Retire la batería cuando no esté en uso, los aparatos se deben guardar en interiores en un lugar seco y cerrado, lejos del alcance de los niños.

- **PERMANEZCA ALERTA** - No utilice esta unidad cuando esté cansado, enfermo o bajo la influencia de alcohol, drogas o medicamentos.
- **MANTENGA LOS APARATOS CON CUIDADO** - Siga las instrucciones en la sección de mantenimiento. Mantenga las manijas secas, limpias y libres de aceite y grasa.
- **REVISE LAS PARTES DAÑADAS** - Antes de utilizar el aparato, se debe revisar cuidadosamente un protector u otra parte que esté dañada para determinar si funcionará correctamente y cumplirá su función. Revise la alineación de las partes móviles, la unión de las partes móviles, la ruptura de partes, el montaje y cualquier otra condición que pueda afectar su operación. Una protección u otra parte que esté dañada se debe reparar o reemplazar apropiadamente por un centro de servicio autorizado, a menos que se indique lo contrario en otra parte de este manual.
- **NO** sumerja el aparato en agua ni lo rocíe con una manguera. **NO** permita que entre ningún líquido en su interior.
- **NO** guarde el aparato en o junto a fertilizantes o productos químicos.
- **NO** limpie con una lavadora a presión.
- Mantenga las protecciones en su lugar y en buen estado de operación.
- Mantenga las manos y los pies lejos del área de corte.
- **REVISE EL ÁREA** antes de usar la unidad. Retire todos los desechos y objetos duros tales como piedras, vidrio, cable, etc. que puedan ser expulsados, arrojados, o de otra manera causar lesiones serias o daño durante la operación.
- **TENGA MUCHO CUIDADO** cuando trabaje cerca de objetos sólidos y cuando sea necesario, realice el corte a mano.
- **DAÑO A LA UNIDAD** - Si golpea o se enreda con un objeto extraño, detenga el aparato inmediatamente, retire la batería, revise si hay daños y repare el daño antes de intentar la operación adicional. No opere con un cubo o un carrito roto.
- **PERMANEZCA ALERTA** - No utilice esta unidad cuando esté cansado, enfermo o bajo la influencia de alcohol, drogas o medicamentos.
- **NO** sumerja el aparato en agua ni lo rocíe con una manguera.
- **NO** permita que entre ningún líquido en su interior. Si el aparato se moja, deje secar durante un mínimo de 48 horas.
- **NO** limpie con una lavadora a presión.
- **NO** guarde el aparato en o junto a fertilizantes o productos químicos.
- **NO** cargue el aparato en la lluvia, o en ubicaciones húmedas.
- **GUARDE LOS APARATOS SIN USO EN INTERIORES** - Cuando no se usan, los aparatos deben almacenarse en un lugar seco y cerrado, fuera del alcance de los niños.

Información de seguridad adicional

⚠ ADVERTENCIA: Nunca modifique la herramienta eléctrica o ninguna parte de ella. Podría resultar en daño o lesiones personales.

⚠ ADVERTENCIA: **SIEMPRE** use gafas de seguridad. Las gafas de uso diario **NO** son gafas de seguridad. También use una careta o máscara de polvo si la operación produce polvo. **SIEMPRE USE EQUIPO DE SEGURIDAD CERTIFICADO:**

- Protección para los ojos ANSI Z87.1 (CAN/CSA Z94.3),
- Protección auditiva ANSI S12.6 (S3.19),
- Protección respiratoria NIOSH/OSHA/MSHA.

⚠ ADVERTENCIA: Algún polvo contiene químicos conocidos por el Estado de California que causan cáncer, defectos de nacimiento u otros daños reproductivos. Algunos ejemplos de estos químicos son:

- compuestos en fertilizantes,
- compuestos en insecticidas, herbicidas y pesticidas,
- arsénico y cromo a partir de madera tratada químicamente.

Para reducir su exposición a estos químicos, use equipo de seguridad aprobado, tal como máscaras de polvo que estén diseñadas específicamente para filtrar partículas microscópicas.

- **Evite el contacto prolongado con el polvo a partir de lijado, aserrado, pulido, perforación eléctricos y otras actividades de construcción. Use ropa de protección y lave las áreas expuestas con agua y jabón.** Permitir que el polvo entre en su boca, ojos, o que quede sobre la piel puede promover la absorción de químicos peligrosos.

⚠ ADVERTENCIA: No use el aparato si el gatillo de interruptor no lo enciende y apaga. Cualquier aparato que no pueda ser controlado con el gatillo del interruptor es peligroso y debe ser reparado.

Advertencias de seguridad adicionales

ADVERTENCIA: Para reducir el riesgo de lesiones por rebote, trabaje alejándose de cualquier objeto sólido cercano, como paredes, escalones, piedras grandes, árboles, etc.

- **PROTECCIÓN** - No use este aparato sin la protección incluida.
- **USE VESTIMENTA CORRECTA** - No use ropa suelta o joyas. Pueden quedar atrapados en las partes móviles. Se recomiendan guantes y calzado de suela de hule cuando trabaje al aire libre. No opere el aparato cuando esté descalzo o use sandalias abiertas. Use pantalones largos pesados para proteger sus piernas. Use una cubierta de protección para el cabello para cubrir el cabello largo.
- **MANTENGA LA CARA, LAS MANOS Y LOS PIES ALEJADOS DE LA LÍNEA DE NYLON GIRATORIA EN TODO MOMENTO.** La línea giratoria realiza una función de corte, tenga cuidado al recortar alrededor de pantallas y plantas desechables.
- **MANTENGA A TODOS LOS TRANSEÚNTES ALEJADOS** - a una distancia segura del área de trabajo, especialmente a niños. **ASEGÚRESE** que otras personas y mascotas estén a una distancia de por lo menos 100 pies (30 m).

⚠ ADVERTENCIA: *El uso de esta herramienta puede generar y/o dispersar polvo, que puede causar lesiones respiratorias serias y permanentes u otras lesiones. Siempre use protección respiratoria aprobada por NIOSH/OSHA apropiada para la exposición de polvo. Dirija las partículas lejos de la cara y el cuerpo.*

⚠ ADVERTENCIA: *Siempre use protección auditiva personal adecuada que cumpla con ANSI S12.6 (S3.19) durante el uso. Bajo algunas condiciones y duración de uso, el ruido de este producto puede contribuir con la pérdida auditiva.*

⚠ PRECAUCIÓN: *Cuando no esté en uso, coloque la herramienta en su lado sobre una superficie estable donde no cause un peligro de tropiezo o caída. Algunas herramientas con un paquete de batería grande pueden quedar verticales pero se pueden voltear fácilmente.*

- **Las ventilas de aire a menudo cubren las partes móviles y se deben evitar.** La ropa suelta, joyería, o cabello largo podrían quedar atrapados en las partes móviles.

La etiqueta en su herramienta puede incluir los siguientes símbolos. Los símbolos y sus definiciones son los siguientes:

V	volts	☐	Construcción Clase II (aislamiento doble)
Hz	hertz	n ₀	sin carga velocidad
min	minutos	n	velocidad nominal
— o DC	corriente directa	PSL	libras por pulgada cuadrada
Ⓢ	Construcción Clase I (conectada a tierra)	Ⓢ	terminal de tierra
... /min	por minuto	⚠	símbolo de alerta de seguridad
BPM	golpes por minuto	⚠	radiación visible no mirar directamente a la luz
IPM	impactos por minuto	☉	use protección respiratoria
OPM	oscilaciones por minuto	☉	use protección para los ojos
RPM	revoluciones por minuto	☉	use protección auditiva
sfpm	pies de superficie por minuto	📖	lea toda la documentación
SPM	carreras por minuto	☒	no exponga a la lluvia
A	ampéres		
W	watts		
Wh	Watt Horas		
Ah	amperios hora		
~ o AC	corriente alterna		
Ⓢ o CA/CD	corriente alterna o directa		

BATERÍAS Y CARGADORES

El paquete de batería no está completamente cargado cuando se retira del cartón. Antes de usar la batería y el cargador, lea las siguientes instrucciones de seguridad y luego siga los procedimientos de carga descritos. Cuando solicite paquetes de baterías de repuesto, asegúrese de incluir el número de catálogo y el voltaje.

LEA TODAS LAS INSTRUCCIONES

Instrucciones de Seguridad Importantes para Todos los Paquetes de Batería

⚠ ADVERTENCIA: *Lea todas las advertencias de seguridad, instrucciones y marcas de precaución para el paquete de la batería, el cargador y el producto. La falla en seguir las advertencias e instrucciones puede resultar en descarga eléctrica, incendio y/o lesiones serias.*

- **No cargue o use el paquete de batería en atmósferas explosivas, como en la presencia de líquidos, gases o polvo inflamables.** Insertar o retirar el paquete de batería del cargador puede encender el polvo y los vapores.
- **NUNCA fuerce el paquete de batería dentro del cargador. NO modifique el paquete de batería en ninguna forma para instalarlo en un cargador no compatible ya que el paquete de batería se puede romper causando lesiones personales serias.** Consulte la tabla al final de este manual respecto a compatibilidad de las baterías y cargadores.
- **Cargue los paquetes de batería sólo en CRAFTSMAN.**
- **NO salpique ni sumerja en agua u otros líquidos.**
- **NO permita que agua o ningún otro líquido entre al paquete de batería.**
- **No almacene ni use la herramienta y el paquete de baterías en lugares donde la temperatura pueda alcanzar o exceder los 40 °C (104 °F) (como cobertizos exteriores o edificios de metal en verano).** Para obtener la mejor vida útil, guarde los paquetes de baterías en un lugar fresco y seco.
NOTA: No guarde los paquetes de baterías en una herramienta con el interruptor de gatillo bloqueado. Nunca sujete con cinta el interruptor de gatillo en la posición ON.
- **No incinere el paquete de batería incluso si está dañado severamente o está completamente agotada.** El paquete de batería pueden explotar en el fuego. Se crean humos y materiales tóxicos cuando se queman los paquetes de baterías de ion de litio.
- **No exponga un paquete de batería o una herramienta a fuego o temperatura excesiva.** La exposición a fuego o temperaturas mayores a 130 °C (265 °F) pueden causar una explosión.
- **Siga todas las instrucciones de carga y no cargue el paquete de batería o el aparato fuera del rango de temperatura especificado en las instrucciones.** Cargar

inadecuadamente o en una temperatura fuera del rango especificado puede dañar la batería e incrementar el riesgo de incendio.

- **Si el contenido de la batería entra en contacto con la piel, lave de inmediato el área con jabón suave y agua.** Si el líquido de la batería entra en los ojos, enjuague con agua sobre el ojo abierto durante 15 minutos o hasta que desaparezca la irritación. Si se necesita atención médica, el electrolito de la batería está compuesto por una mezcla de carbonatos orgánicos líquidos y sales de litio.
- **El contenido de las celdas de batería abiertas puede causar irritación respiratoria.** Proporcione aire fresco. Si los síntomas persisten, busque atención médica.
- **El líquido de la batería puede ser inflamable si se expone a chispas o llamas.**
- **Nunca intente abrir el paquete de baterías por ninguna razón. Si la caja del paquete de baterías está agrietada o dañada, no la inserte en el cargador.** No aplaste, deje caer o dañe el paquete de la batería. No use un paquete de baterías o cargador que haya recibido un golpe fuerte, se haya dejado caer, se haya aplastado o dañado de cualquier manera (por ej., perforado con un clavo, golpeado con un martillo, o pisado). Los paquetes de batería dañados se deben regresar al centro de servicio para reciclaje.

Recomendaciones de Almacenamiento

El mejor lugar de almacenamiento es aquel que es fresco y seco, alejado de la luz solar directa y del exceso de calor o frío. Guarde el paquete de batería completamente cargado fuera del cargador.

Instrucciones de Limpieza de Paquete de Batería

La suciedad y grasa se pueden retirar del exterior de la paquete de batería con una tela o cepillo no metálico suave. No use agua o ninguna solución de limpieza.

Paquetes de Baterías de Indicador de Combustible (Fig. B)

Algunos paquetes de batería incluyen un indicador de combustible. Cuando se presiona y sostiene el botón de indicador de combustible, las luces LED indicarán el nivel de carga aproximado restante. Éste no indica la funcionalidad de la herramienta y está sujeto a variación en base a los componentes del producto, la temperatura y la aplicación del usuario final.

Transporte

- **ADVERTENCIA: Riesgo de Incendio.** No guarde, transporte, o lleve el paquete de batería de forma que objetos de metal puedan tener contacto con las terminales expuestas de la batería. Por ejemplo, no coloque la batería en delantales, bolsillos, cajas de herramientas, cajas de juego de productos, cajones, etc., con clavos sueltos, tornillos, llaves, monedas, herramientas manuales,

etc. Al transportar paquetes de baterías individuales, asegúrese que las terminales de la batería estén protegidas y bien aisladas de materiales que puedan entrar en contacto con ellas y causar un cortocircuito.

NOTA: Los paquetes de batería de ion de litio no se deben colocar en equipaje de mano en aviones y se deben proteger adecuadamente contra corto circuito si están en el equipaje registrado.

El Sello RBRC®

Lleve sus paquetes de batería agotados a un centro de servicio autorizado CRAFTSMAN o a su minorista local para reciclarlas. En algunas áreas, es ilegal colocar paquetes de batería gastados en la basura. También puede comunicarse con su centro de reciclaje local para obtener información sobre dónde dejar el paquete de batería agotado. No las coloque en el reciclaje de la acera. Para información adicional visite www.call2recycle.org. O llame al número de larga distancia gratuito en el Sello RBRC®. RBRC® es una marca comercial registrada de Call 2 Recycle, Inc.



Instrucciones de Seguridad Importantes para Todos los Cargadores de Batería

ADVERTENCIA: Lea todas las advertencias de seguridad, instrucciones y marcas de precaución para el paquete de la batería, el cargador y el producto. La falla en seguir las advertencias e instrucciones puede resultar en descarga eléctrica, incendio y/o lesiones serias.

- **NO intente cargar el paquete de batería con ningún cargador diferente a un cargador CRAFTSMAN.** Los cargadores y paquetes de batería CRAFTSMAN están diseñados específicamente para funcionar juntos.
- **Estos cargadores no están diseñados para usos diferentes a cargar paquetes de batería CRAFTSMAN recargables.** Cargar otros tipos de baterías puede causar que se sobrecalienten y exploten, resultando en lesiones personales, daño a la propiedad, incendio, descarga eléctrica o electrocución.
- **No exponga el cargador a la lluvia o la nieve.**
- **NO permita que agua o ningún otro líquido entre al cargador.**
- **Jale por el enchufe en lugar del cable cuando desconecte el cargador.** Esto reducirá el riesgo de daños al enchufe y cable eléctricos.
- **Asegúrese que el cable esté ubicado de forma que no se pueda pisar, provoque tropiezos, o de otra forma esté sujeto a daño o esfuerzo.**
- **No use un cable de extensión a menos que sea absolutamente necesario.** El uso de un cable de extensión inadecuado podría resultar en riesgo de incendio, descarga eléctrica o electrocución.
- **Cuando opere un cargador al aire libre, proporcione siempre un lugar seco y use un cable de extensión**

adecuado para uso en exteriores. El uso de un cable adecuado para uso en exteriores reduce el riesgo de descarga eléctrica.

- **Un cable de extensión debe tener un tamaño de cable adecuado (AWG o American Wire Gauge) por seguridad.** Cuanto menor es el número de calibre del cable, el cable será más pesado y por lo tanto su capacidad. Un cable de tamaño inferior causará una caída en el voltaje en línea que resulta en una pérdida de energía y sobrecalentamiento. La siguiente tabla muestra el tamaño correcto a usar dependiendo de la longitud total de todos los cables de extensión juntos, y la clasificación de amperes de la placa de identificación. Si tiene duda, use el calibre más pesado siguiente.

Calibre mínimo para juegos de cable

Voltios		Longitud total de cable en pies (metros)			
		25 (7,6)	50 (15,2)	100 (30,5)	150 (45,7)
120 V					
Clasificación de amperes		American Wire Gauge			
Mayor a	No mayor a				
0	6	18	16	16	14
6	10	18	16	14	12
10	12	16	16	14	12
12	16	14	12	No recomendado	

- **No coloque ningún objeto encima del cargador ni coloque el cargador sobre una superficie blanda que pueda bloquear las ranuras de ventilación y provocar un calor interno excesivo.** Coloque el cargador en una posición lejos de cualquier fuente de calor. El cargador se ventila a través de ranuras en la parte superior e inferior del alojamiento.
- **No opere el cargador con un cable o enchufe dañado.** Solicite que los reemplacen de inmediato.
- **No opere el cargador si recibió un golpe fuerte, se dejó caer o se dañó de cualquier manera.** Llévelo a un centro de servicio autorizado.
- **No desensamble el cargador; llévelo a un centro de servicio autorizado cuando se requiera servicio o reparación.** El reensamble incorrecto puede resultar en un riesgo de descarga eléctrica, electrocución o incendio.
- **El cargador está diseñado para operar con corriente eléctrica doméstica estándar de 120 V. No intente usarlo en ningún otro voltaje.** Esto no aplica al cargador de vehículos.
- **Los materiales extraños de naturaleza conductiva tales como, pero sin limitarse a, polvo de pulido, rebabas de metal, lana de acero, papel aluminio, o cualquier acumulación de partículas metálicas se deben mantener alejados de las cavidades y ranuras de ventilación del cargador.**
- **Siempre desconecte el cargador del suministro de energía cuando no haya paquete de baterías en la cavidad.**

Carga de la Batería (Fig. B—D)

1. Conecte el cargador en un tomacorriente apropiado.
2. Inserte y asiente completamente el paquete de batería. Verde rojas parpadearán continuamente mientras carga.
3. La carga está completa cuando las luces de carga verde permanecen encendidas continuamente. El paquete de batería se puede dejar en el cargador o retirarse.

⚠ ADVERTENCIA: Sólo cargue baterías en temperatura ambiente mayor a 4,5 °C (40 °F) y menor a +40 °C (104 °F).

4. El cargador no cargará un paquete de batería defectuoso, lo que puede indicarse por las luces de carga que permanecen apagadas. Lleve el cargador y el paquete de batería a un centro de servicio autorizado si las luces permanecen apagadas.

NOTA: Consulte la etiqueta cerca de las luces de carga en el cargador respecto a los patrones de parpadeo.

NOTA: Para retirar el paquete de batería, algunos cargadores requieren que se presione el botón de liberación del paquete de batería.

Demora de Paquete Caliente/Frío

Cuando el cargador detecta un paquete de batería que esté demasiado caliente o demasiado frío, comienza automáticamente una Demora de Paquete Caliente/Frío, suspendiendo la carga hasta que el paquete de batería alcance una temperatura apropiada. El cargador cambia automáticamente al modo de carga del paquete. Esta característica garantiza la vida máxima del paquete de batería. Un paquete de batería frío puede cargar a un ritmo más lento que un paquete de batería caliente.

La demora de paquete caliente/frío se indicará por la luz verde que continúan parpadeando pero con la luz roja encendida continuamente. Una vez que el paquete de batería alcance una temperatura adecuada, la luz roja se apagará y el cargador reanudará el procedimiento de carga.

Sistema de Protección Electrónica

Las herramientas de ion de litio están diseñadas con un Sistema de Protección Electrónica que protegerá el paquete de batería contra sobrecarga, sobrecalentamiento o descarga profunda. La herramienta se apagará automáticamente y el paquete de batería se necesitará volver a cargar.

Notas Importantes de Carga

1. Se puede obtener una mayor duración y un mejor rendimiento si la unidad de batería se carga a una temperatura ambiente de 18 °C–24 °C (65 °F–75 °F). NO cargue cuando el paquete de batería esté debajo de +4,5 °C (+40 °F), o arriba de +40 °C (+104 °F). Esto es importante y evitará causar daños graves a la batería.
2. El cargador y el paquete de baterías pueden calentarse al tacto durante la carga. Esta es una condición normal y no indica un problema. Para facilitar el enfriamiento de la batería después de su uso, evite colocar el cargador o la batería en un ambiente cálido, como en un cobertizo de metal o un remolque sin aislamiento.

3. Si la batería no se carga correctamente:
 - a. Verifique la operación del receptáculo conectando una lámpara u otro aparato;
 - b. Revise si el receptáculo está conectado a un interruptor de luz que apegue la energía cuando apague las luces;
 - c. Si persisten los problemas de carga, lleve la herramienta, el paquete de batería y el cargador a su centro de servicio local.
4. Puede cargar un paquete parcialmente usado cuando lo desee sin ningún efecto adverso en el paquete de baterías.

Instrucciones de Limpieza de Cargador

⚠️ ADVERTENCIA: *Riesgo de descarga eléctrica. Desconecte el cargador del tomacorriente CA antes de limpiar. La suciedad y grasa se pueden retirar del exterior del cargador con una tela o cepillo no metálico suave. No use agua o ninguna solución de limpieza.*

Montaje en pared

Algunos cargadores CRAFTSMAN están diseñados para poderse montar en pared o colocarse vertical sobre una mesa o superficie de trabajo. Si se monta en pared, localice el cargador dentro del alcance de un tomacorriente eléctrico, y lejos de una esquina u otras obstrucciones que puedan impedir el flujo de aire. Use la parte posterior del cargador como una plantilla para la ubicación de los tornillos de montaje en la pared. Instale el cargador firmemente con tornillos para Tablaroca (adquiridos por separado) por lo menos de 1" (25.4 mm) de largo, con un diámetro de cabeza de tornillo de 0.28–0.35" (7–9 mm), atornillados en madera a una profundidad óptima dejando aproximadamente 7/32" (5.5 mm) de tornillo expuesto. Alinee las ranuras en la parte posterior del cargador con los tornillos expuestos y conéctelos completamente dentro de las ranuras.

NOTA: No intente montar el cargador CMCB101 debajo de un banco o mesa.

NOTA: Sólo instale el cargador CMCB101 con las luces de carga apuntadas hacia arriba hacia el techo.

VersaTrack™

⚠️ ADVERTENCIA: *No cargue las baterías mientras el cargador esté colgado en Trackwall.*

Los cargadores CRAFTSMAN, excepto el CMCB101, se pueden almacenar en el VersaTrack™ Trackwall de CRAFTSMAN. Los ganchos y accesorios se venden por separado. Consulte la hoja de accesorios VersaTrack™ Trackwall para obtener más información.

NOTA: El cargador CMCB101 no es compatible con VERSATRACK™ TRACKWALL de Craftsman.

**CONSERVE ESTAS INSTRUCCIONES
PARA USO FUTURO**

ENSAMBLE Y AJUSTES

⚠️ ADVERTENCIA: *Para reducir el riesgo de lesiones personales serias, apague la unidad y retire el paquete de batería antes de realizar cualquier ajuste o retirar/instalar conexiones o accesorios, when replacing line, or prior to cleaning. Un arranque accidental puede causar lesiones.*

Ensamble del poste (Fig. A, E)

1. Cuando instale el poste inferior **9** en el poste superior **8**, alinee el seguro de tope **14** con la ranura de tope **15** como se muestra en la Fig. E.
2. Presione los dos postes juntos de forma que el seguro de tope **14** se conecte en la ranura de tope **15**.
3. Verifique que los dos postes estén conectados de forma segura tirando de ellos y asegúrese que el bloqueo de retención permanezca conectado en la ranura de retención.

⚠️ ADVERTENCIA: *Siempre verifique para asegurarse que el seguro de tope esté completamente asegurado en su lugar. Si el seguro de tope no está asegurado completamente, podría resultar en que el ensamble se desconecte creando una condición peligrosa. Verifique periódicamente las conexiones para asegurar que el seguro de tope esté asegurado completamente en su lugar.*

Instalación de la protección (Fig. F, G)

⚠️ ADVERTENCIA: *Nunca retire la protección. Podría resultar en daño o lesiones personales.*

⚠️ ADVERTENCIA: **NUNCA OPERE EL APARATO SIN LA PROTECCIÓN FIRMEMENTE EN SU LUGAR.** *La protección siempre debe estar conectada adecuadamente en el aparato para proteger al usuario.*

1. Retire el tornillo de la protección **19**.
2. Deslice la protección **11** completamente en el alojamiento de motor **7**. Asegúrese que las lengüetas **20** en la protección conecten las costillas **16** en la cabeza de la podadora.
3. Continúe deslizando la protección hasta que "se conecte" en su lugar. La lengüeta de bloqueo **18** debe encajar en la ranura del alojamiento **17**.
4. Con un destornillador de cruz, inserte el tornillo de la protección **19** y apriételo firmemente.
5. Una vez que la protección esté instalada, retire la cubierta de la cuchilla de corte de línea, ubicada en el borde de la protección.

Ajuste del tamaño de la franja de corte (Fig. G)

Este protector permite dos tamaños de franja, 13 pulgadas o 11 pulgadas.

1. Para ajustar la posición de la cuchilla de la línea de corte **32**, retire los tornillos **33** que sujetan la cuchilla de la línea de corte **32** en su lugar.
2. Coloque la cuchilla de la línea de corte **32** en la segunda posición en la protección y asegúrela con los tornillos **33**.

NOTA: Mover la cuchilla de la línea de corte **32** más cerca del alojamiento del carrete disminuirá el tamaño de la franja de corte.

Conexión de manija auxiliar (Fig. H)

1. Retire la perilla de la manija **18** y el perno de la manija **19** de la manija auxiliar **6**.
2. Empuje la manija auxiliar **6** sobre la parte superior del poste de la podadora superior **8** como se muestra en la Fig.H.
3. Pase el perno de la manija **19** a través del orificio de montaje en la manija auxiliar **6**.
4. Enrosque la perilla de la manija **18** en el perno de la manija **19** y apriete firmemente. Asegúrese que la manija esté asegurada en su posición antes de usarla.
5. Para ajustar la posición de la manija auxiliar, afloje la perilla de la manija **18** y deslice la manija auxiliar **6** hacia arriba o hacia abajo del poste hasta que esté en la ubicación deseada. Apriete la perilla de la manija **18** para asegurar la manija auxiliar **6** en su posición.

Liberación de la Cuerda De Corte (Fig. A)

Al despacharse de la fábrica, la cuerda de corte está sujeta con cinta a la cubierta del carrete **10**.

- Quite la cinta que sujeta la cuerda de corte a la cubierta del carrete.

OPERACIÓN

⚠ ADVERTENCIA: *Para reducir el riesgo de lesiones personales severas, apague la unidad y retire el paquete de batería antes de realizar cualquier ajuste o retirar/instalar conexiones o accesorios, al reemplazar la línea, o antes de la limpieza. Un arranque accidental puede causar lesiones.*

Instalación y Desinstalación de Paquete de Batería (Fig. G)

⚠ ADVERTENCIA: *Asegúrese que la herramienta/aparato esté en la posición de apagado antes de insertar el paquete de batería.*

NOTA: Para mejores resultados, asegúrese que su paquete de batería esté completamente cargado.

1. Para instalar el paquete de batería **12** en la manija de la herramienta, alinee el paquete de la batería con los rieles

dentro de la manija de la herramienta y deslícelo en la manija hasta que el paquete de batería esté asentado firmemente en la herramienta y asegúrese que no se desconecte.

2. Para retirar el paquete de batería de la herramienta, presione el botón de liberación **13** y jale firmemente el paquete de batería fuera de la manija de la herramienta. Insértelo en el cargador como se describe en la sección de cargador de este manual.

Posición Adecuada de las Manos (Fig. K)

⚠ ADVERTENCIA: *Para reducir el riesgo de lesión personal grave, tenga SIEMPRE las manos en una posición adecuada como se muestra.*

⚠ ADVERTENCIA: *Para reducir el riesgo de lesión personal grave, sujete SIEMPRE bien en caso de que haya una reacción repentina.*

La posición de manos adecuada requiere una mano en la manija principal **5** y la otra sobre la manija auxiliar **6**.

Encendido y apagado de podadora (Fig. A)

⚠ ADVERTENCIA: *Nunca intente bloquear el gatillo en la posición de encendido.*

1. Para encender el aparato, oprima el botón de bloqueo de apagado **2** y después apriete el gatillo **1**. Una vez que la unidad esté en operación, puede liberar el botón de bloqueo de apagado.
2. Para apagar el aparato, libere el gatillo.

Interruptor de control de velocidad (Fig. J)

Esta podadora de cuerda le da la opción de operar a una velocidad más eficiente para extender el tiempo de operación para trabajos más grandes, o acelerar la velocidad de la podadora para un corte de alto rendimiento.

Para acelerar la podadora, empuje el interruptor de control de velocidad **3** hacia la manija auxiliar **6** hacia la posición "HI". Este modo es el mejor para cortar un crecimiento más intenso y para aplicaciones que necesitan RPM más altas.

Para extender el tiempo de operación, jale el interruptor de control de velocidad hacia el alojamiento de la batería **21** en la posición "LO". Este modo es el mejor para proyectos más grandes que requieren más tiempo para completarse.

NOTA: Cuando está en modo "HI", el tiempo de operación se disminuirá conforme se compara cuando la podadora está en el modo "LO".

Botón de alimentación de línea (Fig. J)

La función de alimentación de línea le permite avanzar la longitud de la línea de corte disponible mientras corta.

- Para extender la línea de corte, presione completamente el botón de alimentación de línea **4** mientras corta y después libere.

NOTA: La podadora dejará de cortar cuando se presione el botón de alimentación de línea y reanudará el corte cuando se libere.

NOTA: Para obtener la longitud de línea máxima, presione el botón varias veces hasta que escuche la línea de corte golpeando la protección. No continúe presionando el botón de alimentación de línea una vez que se alcance la longitud máxima. Esto resultará en sobrealimentación y consumirá la cuerda rápidamente.

Poda (Fig. K—M)

⚠️ ADVERTENCIA: Mantenga la cuerda giratoria aproximadamente paralela al suelo (inclinada no más de 10 grados). Esta podadora no es una bordeadora. **NO INCLINE** la podadora para que la cuerda gire cerca de un ángulo recto con respecto al suelo. Los desechos arrojados pueden causar lesiones serias.

⚠️ PRECAUCIÓN: Asegúrese que otras personas y mascotas estén a una distancia de por lo menos 100' (30 m). Los desechos arrojados pueden causar lesiones serias.

1. Con la podadora encendida, coloque en ángulo y gire lentamente de lado a lado como se muestra en la Fig. L.
2. Mantenga un ángulo de 5° a 10°. No exceda 10°. Corte con la punta de la línea.
3. Mantenga una distancia mínima de 24" (610 mm) entre la protección y sus pies como se muestra en la Fig. M.

Consejos Útiles para Cortar (Fig. N)

- Utilice la punta de la cuerda para hacer el corte; no fuerce la cabeza de la cuerda en césped sin cortar. Use la guía de borde a lo largo de cosas como cercas, casas y jardineras como una mejor práctica.
- Los cercos de alambre y de estacas provocan un mayor desgaste de la cuerda e incluso su rotura. Los muros de piedra y ladrillo, las cunetas y la madera pueden desgastar la cuerda rápidamente.
- No permita que la tapa del carrete **22** se arrastre sobre el suelo u otras superficies.
- En crecimientos largos, corte desde arriba hacia abajo y no exceda una altura de 330 mm (13").
- Mantenga la podadora inclinada hacia el área que se corta; ésta es la mejor área de corte.
- La podadora corta al mover la unidad de izquierda a derecha. Esto evitará que se arrojen restos al usuario.
- Evite árboles y arbustos. La cuerda fácilmente puede dañar la corteza de árboles, las molduras de madera, los revestimientos exteriores y los pilares de cercos.

Línea de corte / Alimentación de línea

Su podadora utiliza una línea de nylon TORCIDA de .080" (2 mm) de diámetro. Durante el uso, las puntas de las líneas de nylon se deshilacharán y desgastarán. La línea de corte se desgastará más rápido y requerirá más alimentación si el cortese realiza a lo largo de las aceras u otras superficies abrasivas o se cortan malezas más pesadas.

Eliminación de atascamiento y línea enredada (Fig. N)

⚠️ ADVERTENCIA: Retire la batería del aparato antes de realizar cualquier ensamble, ajuste o cambio de accesorios. Tales medidas preventivas de seguridad reducen el riesgo de encender el aparato por accidente.

De vez en cuando, en especial cuando corte hierba gruesa o con tallos, el cubo de alimentación de la línea se puede obstruir con savia u otro material y la línea se atascará como resultado. Para eliminar el atascamiento, siga los pasos siguientes.

⚠️ ATENCIÓN: Para evitar daños del aparato, si la línea de corte sobresale más allá de la cuchilla de corte, córtela de modo que sólo llegue a la cuchilla.

1. Retire la batería del aparato.
2. Presione las lengüetas de liberación **23** en la tapa del carrete **22**, y retire la tapa de carrete del alojamiento de carrete **10**.
3. Jale el carrete de la línea de nylon y retire cualquier línea rota o desechos de corte del área del carrete.
4. Coloque el carrete en el aparato como se describe en **Reemplazo de Ensamble de Carrete**.

Reemplazo de Ensamble de Carrete (Fig. N, O)

⚠️ ADVERTENCIA: El uso de cualquier accesorio no recomendado por CRAFTSMAN para uso con este aparato podría ser peligroso.

⚠️ ADVERTENCIA: No use ninguna cuchilla ni ningún accesorio o conexión que no sean los recomendados por CRAFTSMAN en esta podadora. Se pueden producir lesiones graves o daños al producto.

Vuelva a cargar la línea de nylon (ya sea a granel o del carrete de reemplazo pre-enrollado) como se muestra en este manual.

SÓLO USE LÍNEA DE NYLON TORCIDA DE 2 mm (0,080") DE DIÁMETRO. No utilice una línea de calibre serrado o más grueso, ya que sobrecargarán el motor y causarán sobrecalentamiento. Esta línea está disponible en su distribuidor local o centro de servicio autorizado.

1. Retire la batería del aparato.
2. Presione las lengüetas de liberación **25** en la tapa del carrete **22** y retire la tapa del carrete del alojamiento del carrete **3**.
3. Para obtener los mejores resultados, reemplace el carrete con CRAFTSMAN Modelo # CMZST080.
4. Si la palanca en la base del alojamiento se desprende, vuelva a colocarla en la posición correcta antes de insertar el nuevo carrete en el alojamiento.
5. Retire la suciedad y el césped de la tapa del carrete y el alojamiento del carrete.
6. Afloje el extremo de la línea de corte y guíe la línea dentro del ojal.
7. Tome el nuevo carrete y empújelo sobre el borde **26** en el alojamiento. Gire el carrete ligeramente hasta que se asiente.
8. La línea debe sobresalir aproximadamente a 136 mm (5-3/8") del alojamiento.
9. Alinee las lengüetas de liberación de la tapa del carrete con las ranuras en el alojamiento del carrete.
10. Vuelva a colocar la tapa del carrete presionando las lengüetas de liberación y presionando en la cubierta del carrete.
11. Empuje la tapa dentro de la cubierta hasta que encaje firmemente en su lugar.

NOTA: Asegúrese que la cubierta esté completamente colocada, escuche dos clics audibles para asegurarse que ambas pestañas de liberación estén ubicadas correctamente. Encienda la herramienta. En unos segundos o menos, escuchará cómo la cuerda de nailon se corta automáticamente a la longitud adecuada.

NOTA: Otras partes de repuesto (protecciones, tapas de carretes, etc.) están disponibles a través de los centros de servicio autorizados. Para encontrar su ubicación de servicio local, llame al: **1-888-331-4569** o visite www.craftsman.com.

Enrollado del Carrete con Cuerda a Granel (Fig. P, Q)

Utilice Sólo Cuerda REDONDA de 2 mm (0,080 pulgada) de Diámetro

También puede comprar cuerda a granel en el comercio minorista local.

NOTA: Es probable que los carretes enrollados a mano con una cuerda a granel se enreden con mayor frecuencia que los carretes de CRAFTSMAN enrollados de fábrica. Para mejores resultados, se recomiendan los carretes enrollados de fábrica.

1. Retire la batería del aparato.
2. Retire el carrete vacío del aparato como se describe en **Reemplazo de Ensamble de Carrete**.
3. Retire cualquier línea de corte restante del carrete.
4. Realice un pliegue en el extremo de la línea de corte a aproximadamente 19 mm (3/4") **25**. Alimente la línea de corte en una de las ranuras de anclaje de línea **28**.

5. Inserte el extremo de 19 mm (3/4") de la línea a granel en el orificio **27** en el carrete adyacente a la ranura. Asegúrese que la línea quede apretada contra el carrete.
6. Enrolle la línea de corte en el carrete en la dirección de la flecha en el carrete. Asegúrese de enrollar la línea en forma ordenada y en capas. No entrecruce.
7. Cuando la línea de corte enrollada alcance los hundimientos **29**, corte la línea.
8. Coloque el carrete en el aparato como se describe en **Reemplazo de Ensamble de Carrete**.

MANTENIMIENTO

⚠️ ADVERTENCIA: *Para reducir el riesgo de lesiones personales severas, apague la unidad y retire el paquete de batería antes de realizar cualquier ajuste o retirar/instalar conexiones o accesorios, al reemplazar la línea, o antes de la limpieza. Un arranque accidental puede causar lesiones.*

Su herramienta CRAFTSMAN ha sido diseñada para funcionar durante un largo período con un mínimo de mantenimiento. Un funcionamiento continuo satisfactorio depende del cuidado adecuado de la herramienta y de una limpieza periódica.

Limpieza

⚠️ ADVERTENCIA: *Sople la suciedad y el polvo de todos los conductos de ventilación con aire seco, al menos una vez por semana. Para reducir el riesgo de lesiones, utilice siempre protección para los ojos aprobada ANSI Z87.1 al realizar esta tarea.*

⚠️ ADVERTENCIA: *Nunca utilice solventes ni otros químicos abrasivos para limpiar las piezas no metálicas de la herramienta. Estos productos químicos pueden debilitar los materiales plásticos utilizados en estas piezas. Utilice un paño humedecido sólo con agua y jabón neutro. Nunca permita que penetre líquido dentro de la herramienta ni sumerja ninguna de las piezas en un líquido.*

Accesorios

⚠️ ADVERTENCIA: *Ya que los accesorios, diferentes a los ofrecidos por CRAFTSMAN, no han sido probados con este producto, el uso de tales accesorios con esta herramienta podría ser peligroso. Para reducir el riesgo de lesiones, sólo se deben usar accesorios recomendados por CRAFTSMAN con este producto.*

Los accesorios recomendados para uso con su herramienta están disponibles por un costo adicional a partir de su distribuidor local o centro de servicio autorizado. Si necesita asistencia para localizar cualquier accesorio, póngase en contacto con CRAFTSMAN llame al **1-888-331-4569**.

Reemplazo de Protección (Fig. F, G)

⚠ ADVERTENCIA: *Nunca opere el aparato sin la protección firmemente en su lugar. Podría resultar en daño o lesiones personales.*

Retire la Protección Actual

1. Retire el tornillo de la protección **19** mostrado en la Fig. F, G.
2. Deslice la protección **11** hacia afuera.

Ensamble de Nueva Protección

1. Deslice la protección en su lugar como se muestra en la Fig. F.
2. Reemplace y apriete firmemente el tornillo de la protección **19**.

Versatrack™ (Fig. R)

⚠ ADVERTENCIA: *Para reducir el riesgo de lesiones personales serias, apague la unidad y retire el paquete de batería antes de realizar cualquier ajuste o retirar/instalar conexiones o accesorios. Un arranque accidental puede causar lesiones.*

⚠ ADVERTENCIA: *Para reducir el riesgo de lesiones personales graves, no use un gancho Versatrack™ para colgar o Trackwall Versatrack™. Un gancho Versatrack™ para colgar o Trackwall Versatrack™ no soportará el peso de la herramienta.*

⚠ ADVERTENCIA: *Para reducir el riesgo de lesiones personales graves, NO suspenda la herramienta por encima ni cuelgue objetos del Gancho para colgar. SÓLO suspenda la herramienta en el Trackwall de Versatrack™ con el Gancho para colgar.*

⚠ ADVERTENCIA: *Asegúrese que el peso de la herramienta no exceda el peso máximo nominal de 20 lbs (9 kg) para el gancho Versatrack™ seleccionado.*

⚠ ADVERTENCIA: *Cuando cuelgue objetos en el riel Trackwall de Versatrack™, espacie adecuadamente las herramientas para no exceder 75 lbs (35 kg) por pie lineal.*

IMPORTANTE: Los accesorios Versatrack™ se instalan en herramientas compatibles de forma segura en el sistema Trackwall de Versatrack™.

1. Apague la herramienta, Retire el paquete de batería y los accesorios.

⚠ PRECAUCIÓN: *Cualquier producto con dientes de corte expuestos debe tenerlos cubiertos de forma segura si va a estar en el Trackwall de Versatrack™.*

2. Monte el gancho para colgar integral **30** al Trackwall Versatrack™.

NOTA: Los accesorios Versatrack™ para uso con su herramienta están disponibles por un costo adicional a partir de su distribuidor local o centro de servicio autorizado. Si necesita ayuda para localizar cualquier accesorio, póngase en contacto con CRAFTSMAN, llame al **1-888-331-4569**.

Reparaciones

El Cargador y las unidades de batería no pueden ser reparados. El cargador y la unidad de batería no contienen piezas reparables.

⚠ ADVERTENCIA: *Para asegurar la SEGURIDAD y la CONFIABILIDAD del producto, las reparaciones, el mantenimiento y los ajustes (inclusive la inspección y el cambio de las escobillas, cuando proceda) deben ser realizados en un centro de mantenimiento en la fábrica CRAFTSMAN CRAFTSMAN u en un centro de mantenimiento autorizado CRAFTSMAN CRAFTSMAN. Utilice siempre piezas de repuesto idénticas.*

Para reparación y servicio de sus herramientas eléctricas, favor de dirigirse al Centro de Servicio más cercano

CULIACAN, SIN

Bld. Emiliano Zapata 5400-1 Poniente Col. (667) 717 89 99
San Rafael

GUADALAJARA, JAL

Av. La Paz #1779 - Col. Americana Sector (33) 3825 6978
Juárez

MEXICO, D.F.

Eje Central Lázaro Cárdenas No. 18 - Local (55) 5588 9377
D, Col. Obrera

MERIDA, YUC

Calle 63 #459-A - Col. Centro (999) 928 5038

MONTERREY, N.L.

Av. Francisco I. Madero 831 Poniente - Col. (818) 375 23 13
Centro

PUEBLA, PUE

17 Norte #205 - Col. Centro (222) 246 3714

QUERETARO, QRO

Av. San Roque 274 - Col. San Gregorio (442) 2 17 63 14

SAN LUIS POTOSI, SLP

Av. Universidad 1525 - Col. San Luis (444) 814 2383

TORREON, COAH

Bld. Independencia, 96 Pte. - Col. Centro (871) 716 5265

VERACRUZ, VER

Prolongación Díaz Mirón #4280 - Col. Remes (229) 921 7016

VILLAHERMOSA, TAB

Constitución 516-A - Col. Centro (993) 312 5111

PARA OTRAS LOCALIDADES:

Si se encuentra en México, por favor llame al (55) 5326 7100

**Si se encuentra en U.S., por favor llame al
1-888-331-4569**

Póliza de Garantía

IDENTIFICACIÓN DEL PRODUCTO:

Sello o firma del Distribuidor.

Nombre del producto: _____

Mod./Cat.: _____

Marca: _____

Núm. de serie: _____

(Datos para ser llenados por el distribuidor)

Fecha de compra y/o entrega del producto:

Nombre y domicilio del distribuidor donde se adquirió el producto:

Este producto está garantizado por un año a partir de la fecha de entrega, contra cualquier defecto en su funcionamiento, así como en materiales y mano de obra empleados para su fabricación. Nuestra garantía incluye la reparación o reposición del producto y/o componentes sin cargo alguno para el cliente, incluyendo mano de obra, así

como los gastos de transportación razonablemente erogados derivados del cumplimiento de este certificado.

Para hacer efectiva esta garantía deberá presentar su herramienta y esta póliza sellada por el establecimiento comercial donde se adquirió el producto, de no contar con ésta, bastará la factura de compra.

Excepciones

Esta garantía no será válida en los siguientes casos:

- Cuando el producto se hubiese utilizado en condiciones distintas a las normales;
- Cuando el producto no hubiese sido operado de acuerdo con el instructivo de uso que se acompaña;
- Cuando el producto hubiese sido alterado o reparado por personas distintas a las enlistadas al final de este certificado.

Anexo encontrará una relación de sucursales de servicio de fábrica, centros de servicio autorizados y franquiciados en la República Mexicana, donde podrá hacer efectiva su garantía y adquirir partes, refacciones y accesorios originales.

Solamente para propósito de México:
Importado por: CRAFTSMAN S.A de C.V.
Antonio Dovali Jaime #70 Torre C Piso 8
Col. Santa Fe Alvaro Obregon,
Ciudad de Mexico, Mexico.
C.P 01210
TEL(52) 55 53267100
R.F.C.BDE8106261W7

Registro en Línea

Gracias por su compra. Registre su producto ahora para:

- **SERVICIO EN GARANTÍA:** Si completa esta tarjeta, podrá obtener un servicio en garantía más eficiente, en caso de que exista un problema con su producto.
- **CONFIRMACIÓN DE PROPIEDAD:** En caso de una pérdida que cubra el seguro, como un incendio, una inundación o un robo, el registro de propiedad servirá como comprobante de compra.
- **PARA SU SEGURIDAD:** Si registra el producto, podremos comunicarnos con usted en el caso improbable que se deba enviar una notificación de seguridad conforme a la Federal Consumer Safety Act (Ley Federal de Seguridad de Productos para el Consumidor).
- Registro en línea en **www.craftsman.com/registration**.

Garantía limitada de tres años

CRAFTSMAN reparará o reemplazará, sin cargo, cualquier defecto debido a materiales o mano de obra defectuosos por tres años desde la fecha de compra para las herramientas (dos años para baterías). Esta garantía no cubre falla de partes debido al desgaste normal o abuso de la herramienta. Para detalles adicionales de la cobertura de la garantía e información de reparación de garantía, visite www.craftsman.com o llame al **1-888-331-4569**. Esta garantía no se aplica a accesorios o daño causado cuando otros hayan realizado o intentado reparaciones. ESTA GARANTÍA LIMITADA SE OTORGA EN LUGAR DE TODAS LAS DEMÁS, INCLUIDA LA GARANTÍA IMPLÍCITA DE COMERCIABILIDAD E IDONEIDAD PARA UN PROPÓSITO EN PARTICULAR, Y EXCLUYE TODOS LOS DAÑOS INCIDENTALES O EN CONSECUENCIA. Algunos estados no permiten limitaciones sobre la duración de una garantía implícita o la exclusión o limitación de daños incidentales o en consecuencia, por lo que estas limitaciones pueden no aplicarse en su caso. Esta garantía le da derechos legales específicos y puede tener otros derechos que varían en ciertos estados o provincias.

Además de la garantía, las herramientas CRAFTSMAN están cubiertas por nuestro:

2 AÑOS DE SERVICIO GRATUITO EN PAQUETES DE BATERÍA CRAFTSMAN

CMCB201, CMCB209, CMCB2011, CMCB2015

3 AÑOS DE SERVICIO GRATUITO EN PAQUETES DE BATERÍA CRAFTSMAN

CMCB202, CMCB204, CMCB205, CMCB206

NOTA: La garantía de la batería se anula si se manipula el paquete de la batería en cualquier manera. CRAFTSMAN no es responsable por cualquier lesión causada por la manipulación y puede procesar fraude de garantía hasta la mayor extensión permitida por la ley.

GARANTÍA DE DEVOLUCIÓN DE DINERO DE 90 DÍAS

Si no está completamente satisfecho con el desempeño de su Herramienta eléctrica, o Pistola para clavos CRAFTSMAN por cualquier razón, puede devolverla dentro de 90 días desde la fecha de compra con un recibo para un reembolso completo – no se harán preguntas.

AMÉRICA LATINA: Esta garantía no aplica a productos vendidos en América Latina. Para productos vendidos en América Latina, consulte la información de garantía específica contenida en el empaque, llame a la compañía local o consulte la página de Internet respecto a la información de garantía.

REEMPLAZO GRATUITO DE ETIQUETA DE GARANTÍA:

Si sus etiquetas de advertencia se vuelven ilegibles o faltan, llame al **1-888-331-4569** para un reemplazo gratuito.

**Compatible battery packs and chargers / Blocs-piles et chargeurs compatibles /
Baterías y cargadores compatibles**

20V Max* Li-Ion	Battery Packs Blocs-piles Baterías	CMCB201, CMCB202, CMCB204, CMCB2015, CMCB205, CMCB206, CMCB209, CMCB2011
	Chargers Chargeurs Cargadores	CMCB100, CMCB101, CMCB102, CMCB104, CMCB1104, CMCB124

* Maximum initial battery voltage (measured without a workload) is 20 volts. Nominal voltage is 18.

* La tension initiale maximum du bloc-piles (mesurée à vide) est de 20 volts. La tension nominale est de 18.

* El máximo voltaje inicial de la batería (medido sin carga de trabajo) es 20 voltios. El voltaje nominal es de 18.

⚠ WARNING: Use of any other battery packs may create a risk of injury and fire.

⚠ AVERTISSEMENT : utiliser d'autres blocs-piles peut créer un risque de blessure ou d'incendie.

⚠ ADVERTENCIA: El uso de cualquier otro paquete de batería puede crear un riesgo de lesiones e incendio.