

CRAFTSMAN®

INSTRUCTION MANUAL | GUIDE D'UTILISATION | MANUAL DE INSTRUCCIONES

V60 Mower
Tondeuse V60
Podadora V60

CMCMW260



IF YOU HAVE QUESTIONS OR COMMENTS, CONTACT US.
POUR TOUTE QUESTION OU TOUT COMMENTAIRE, NOUS CONTACTER.
SI TIENE DUDAS O COMENTARIOS, CONTÁCTENOS.

1-888-331-4569 **WWW.CRAFTSMAN.COM**

English (***original instructions***)

1

Français (*traduction de la notice d'instructions originale*)

14

Español (*traducido de las instrucciones originales*)

28

Definitions: Safety Alert Symbols and Words

This instruction manual uses the following safety alert symbols and words to alert you to hazardous situations and your risk of personal injury or property damage.



DANGER: Indicates an imminently hazardous situation which, if not avoided, **will** result in **death or serious injury**.



WARNING: Indicates a potentially hazardous situation which, if not avoided, **could** result in **death or serious injury**.



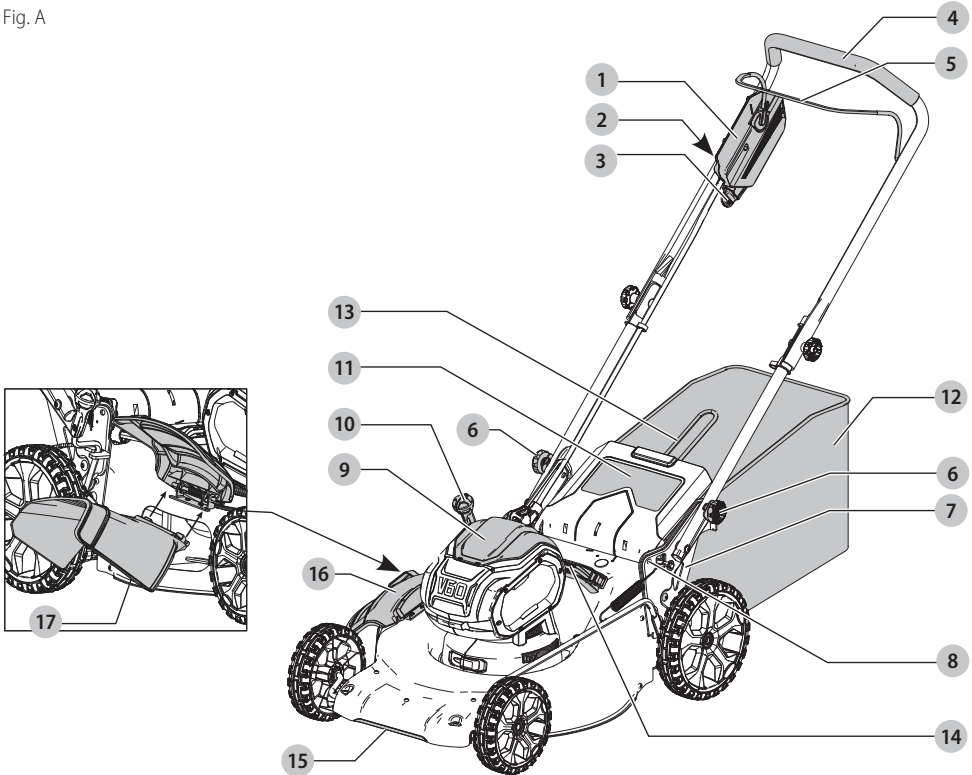
CAUTION: Indicates a potentially hazardous situation which, if not avoided, **may** result in **minor or moderate injury**.



(Used without word) Indicates a safety related message.

NOTICE: Indicates a practice **not related to personal injury** which, if not avoided, **may** result in **property damage**.

Fig. A



COMPONENTS

- | | |
|-------------------------------|--------------------------------|
| 1 ON-OFF switch box | 10 Cut height adjust lever |
| 2 ON-OFF button | 11 Rear door cover |
| 3 Safety key | 12 Grass collection bag |
| 4 Handle | 13 Grass collection bag handle |
| 5 Bail handle | 14 Upper carrying handle |
| 6 Handle locks | 15 Lower carrying handle |
| 7 Handle brackets | 16 Side flap |
| 8 Handle storage detent holes | 17 Side discharge attachment |
| 9 Battery port cover | |



WARNING: Read all safety warnings and all instructions. Failure to follow the warnings and instructions may result in electric shock, fire and/or serious injury.



WARNING: Never modify the power tool or any part of it. Damage or personal injury could result.



WARNING: To reduce the risk of injury, read the instruction manual.

If you have any questions or comments about this or any product, call CRAFTSMAN toll free at:

V60 Mower CMCMW260

IMPORTANT SAFETY WARNINGS AND INSTRUCTIONS



WARNING: To reduce risk of injury:

- Before any use, be sure everyone using this tool reads and understands all safety instructions and other information contained in this manual.
- Save these instructions and review frequently prior to use and in instructing others.



WARNING: When using battery powered lawn mowers, basic safety precautions should always be followed to reduce the risk of fire, electric shock, and personal injury, including the following.

READ ALL INSTRUCTIONS

GENERAL SAFETY WARNINGS AND INSTRUCTIONS FOR ALL TOOLS

- **This tool can be dangerous.** Follow all warnings and Safety Instructions in this manual. The operator is responsible for following warnings and instructions in this manual and on unit. Restrict use of this mower to persons who read, understand and follow warnings and instructions in this manual and on unit.
- **Avoid dangerous environment** – don't use lawn mowers in damp or wet locations.
- **Don't Use In Rain.**
- **Keep Children Away** – All visitors should be kept a safe distance from work area.
- **Dress Properly** – Do not wear loose clothing or jewelry. They can be caught in moving parts. Use of rubber gloves and footwear is recommended when working outdoors.
- **Use Safety Glasses** – Always use face or dust mask if operation is dusty.
- **Use Right Appliance** – Do not use lawn mower for any job except that for which it is intended.
- **Check for damaged parts.** Before further use of the mower, a guard or other part that is damaged should be carefully checked to determine that it will operate properly and perform its intended function. Check for alignment of moving parts, binding of moving parts, breakage of parts, mounting, and any other conditions that may affect their operation. A guard or other part that is damaged should be properly repaired or replaced by an authorized service center unless otherwise indicated elsewhere in this manual.
- **Repairs and service.** Repairs, maintenance and any adjustments not specified in this manual should be performed by authorized service centers or other qualified service organizations, always using identical replacement parts.
- **Don't Force Lawn Mower** – It will do the job better and safer at the rate for which it was designed.
- **Don't Overreach** – Keep proper footing and balance at all times.
- **Stay Alert** – Watch what you are doing. Use common sense. Do not operate lawn mower when you are tired.
- **Disconnect Lawn Mower** – Remove the safety key and battery pack from the mower when not in use, before servicing, when changing accessories such as blades, and the like.
- **Store Idle Lawn Mower Indoors** – When not in use, lawn mower should be stored in an indoor dry and locked-up place – out of reach of children. Remove safety key and battery pack.
- **Maintain Lawn Mower With Care** – Keep cutting edges sharp and clean for best and safest performance. Follow instructions for lubricating and changing accessories. Keep handles dry, clean, and free from oil and grease.
- **Keep guards in place and in working order.**
- **Keep blades sharp.**
- **Keep hands and feet away from cutting area.**
- **Objects struck by the lawn mower blade can cause severe injuries to persons.** The lawn should always be carefully examined and cleared of all objects prior to each mowing.
- **If lawn mower strikes a foreign object, follow these steps:**
 1. Stop lawn mower. Release the bail handle.
 2. Remove battery pack and safety key.
 3. Inspect for damage.
 4. Repair any damage before restarting and operating the lawn mower.
- **Use identical replacement blades only.**

SAVE THESE INSTRUCTIONS

Important

Safe Practices for Pedestrian-Controlled Mowers

This machine is capable of amputating hands and feet and throwing objects. Failure to observe the following safety instructions could result in serious injury or death.

General Information

1. Read, understand, and follow instructions and warnings in this manual and on the machine, engine and attachments.
2. Only allow operators, who are responsible, trained, familiar with the instructions, and physically capable to operate the machine.
3. Do not operate the machine while under the influence of alcohol or drugs.

Preparation Before Operating

1. Clear the operating area of any objects which could be thrown by or interfere with operation of the machine.
2. Keep the area of operation clear of all bystanders, particularly small children. Stop the machine and attachment(s) if anyone enters the area.
3. Do not operate the machine without the entire grass catcher, discharge chute, or other safety devices in place and functioning properly. Check frequently for signs of wear or deterioration and replace as needed.
4. Wear appropriate personal protective equipment such as safety glasses, hearing protection, and footwear.

Operating

1. Only operate the machine in daylight or good artificial light.
2. Avoid holes, ruts, bumps, rocks, or other hidden hazards. Uneven terrain could overturn the machine, or cause operator to lose their balance or footing.
3. Do not put hands or feet near rotating parts or under the machine. Keep clear of the discharge opening at all times.
4. Do not direct discharge material toward anyone. Avoid discharging material against a wall or obstruction. Material may ricochet back toward the operator. Stop the blade(s) when crossing gravel surfaces.

Children Specific

1. Tragic accidents can occur if the operator is not alert to the presence of children. Children are often attracted to the machine and the mowing activity. Never assume that children will remain where you last saw them.
2. Keep children out of the operating area and under the watchful care of a responsible adult other than the operator.

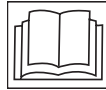
Slope Specific

1. Slopes are a major factor related to accidents. Operation on slopes requires extra caution.
2. Travel in the manufacturer recommended direction on slopes. Use caution while operating near dropoffs.
3. Avoid mowing wet grass. (Poor footing could cause a slip and fall accident.)
4. Do not operate machine under any condition where traction, steering, or stability is in question. Mower could slide even if the wheels are stopped.
5. Avoid starting and stopping on slopes. Avoid making sudden changes in speed or direction. Make turns slowly and gradually.
6. Use extra care while operating machine with a grass catcher or other attachment(s). They can affect the stability of the machine.

Service

1. Keep machine in good working order. Replace worn or damaged parts.
2. Use caution when servicing blades. Wrap the blade(s) or wear gloves. Replace damaged blades. Do not repair or alter blade(s).

The following are explanations of important safety hazard pictorials on the mower.



User must read and understand the instruction manual.



To avoid the risk of serious injury do not mow up and down slopes. Always mow across slopes.



To avoid the risk of injury to bystanders keep all persons and pets at a safe distance from the mower while operating.



Rotating blades can cause serious injury. Keep hands and feet clear of mower deck and discharge opening at all times. Always be sure blade has stopped. Release bail handle to turn mower off and wait for the blade to stop rotating (approximately 3 seconds) and remove the safety key and battery pack before removing and replacing grass catcher, cleaning, servicing, transporting or lifting the mower.



Objects struck by mower blade can cause serious injury. Stay behind the handle when the motor is running. Always ensure persons and pets are clear of the discharge from the mower while operating. Always inspect mowing area before mowing and remove objects that could be thrown by blade. Release bail handle to turn mower off and wait for the blade to stop rotating (approximately 3 seconds) before crossing walk, roads, patio and gravel drives.

Additional Safety Information



WARNING: ALWAYS use safety glasses. Everyday eyeglasses are NOT safety glasses. Also use face or dust mask if cutting operation is dusty. **ALWAYS WEAR CERTIFIED SAFETY EQUIPMENT:**

- ANSI Z87.1 eye protection (CAN/CSA Z94.3),
- ANSI S12.6 (S3.19) hearing protection,
- NIOSH/OSHA/MSHA respiratory protection.




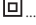

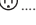









WARNING: Some dust created by this product contains chemicals known to the State of California to cause cancer, birth defects or other reproductive harm. Some examples of these chemicals are:

- compounds in fertilizers
- compounds in insecticides, herbicides and pesticides
- arsenic and chromium from chemically treated lumber

To reduce your exposure to these chemicals, wear approved safety equipment such as dust masks that are specially designed to filter out microscopic particles.

ENGLISH

The label on your tool may include the following symbols. The symbols and their definitions are as follows:


V.....volts	 or AC/DC...alternating or direct current
Hz.....hertz	
min.....minutes	Class II Construction (double insulated)
 or DC.....direct current	
Class I Construction (grounded)	
.../min.....per minute	n_0no load speed
BPM.....beats per minute	n.....rated speed
IPM.....impacts per minute	earthing terminal
RPM.....revolutions per minute	safety alert symbol
sfpm.....surface feet per minute	visible radiation
SPM.....strokes per minute	avoid staring at light
OPM.....oscillations per minute	wear respiratory protection
A.....amperes	wear eye protection
W.....watts	wear hearing protection
 or AC.....alternating current	read all documentation
	IPXX.....IP symbol

BATTERIES AND CHARGERS

The battery pack is not fully charged out of the carton. Before using the battery pack and charger, read the safety instructions below and then follow charging procedures outlined. When ordering replacement battery packs, be sure to include the catalog number and voltage.

READ ALL INSTRUCTIONS

Important Safety Instructions for All Battery Packs


 **WARNING:** Read all safety warnings, instructions, and cautionary markings for the battery pack, charger and product. Failure to follow the warnings and instructions may result in electric shock, fire and/or serious injury.


- Do not charge or use the battery pack in explosive atmospheres, such as in the presence of flammable liquids, gases or dust. Inserting or removing the battery pack from the charger may ignite the dust or fumes.
- When battery pack is not in use, keep it away from other metal objects, like paper clips, coins, keys, nails, screws, or other small metal objects, that can make a connection from one terminal to another. Shorting the battery terminals together may cause burns or a fire.
- NEVER force the battery pack into the charger. DO NOT modify the battery pack in any way to fit into a non-compatible charger as battery pack may rupture causing serious personal injury. Consult the chart at the end of this manual for compatibility of batteries and chargers.
- Charge the battery packs only in CRAFTSMAN chargers.

- DO NOT splash or immerse in water or other liquids.
- Do not store or use the tool and battery pack in locations where the temperature may reach or exceed 104 °F (40 °C) (such as outside sheds or metal buildings in summer). For best life store battery packs in a cool, dry location.

NOTE: Do not store the battery packs in a tool with the trigger switch locked on. Never tape the trigger switch in the ON position.

- Do not incinerate the battery pack even if it is severely damaged or is completely worn out. The battery pack can explode in a fire. Toxic fumes and materials are created when lithium-ion battery packs are burned.
- If battery contents come into contact with the skin, immediately wash area with mild soap and water. If battery liquid gets into the eye, rinse water over the open eye for 15 minutes or until irritation ceases. If medical attention is needed, the battery electrolyte is composed of a mixture of liquid organic carbonates and lithium salts.
- Contents of opened battery cells may cause respiratory irritation. Provide fresh air. If symptoms persist, seek medical attention.

 **WARNING:** Burn hazard. Battery liquid may be flammable if exposed to spark or flame.

 **WARNING:** Fire hazard. Never attempt to open the battery pack for any reason. If the battery pack case is cracked or damaged, do not insert into the charger. Do not crush, drop or damage the battery pack. Do not use a battery pack or charger that has received a sharp blow, been dropped, run over or damaged in any way (e.g., pierced with a nail, hit with a hammer, stepped on). Damaged battery packs should be returned to the service center for recycling.

Storage Recommendations

1. The best storage place is one that is cool and dry, away from direct sunlight and excess heat or cold.
2. For long storage, it is recommended to store a fully charged battery pack in a cool dry place out of the charger for optimal results.

NOTE: Battery packs should not be stored completely depleted of charge. The battery pack will need to be recharged before use.

Battery Pack Cleaning Instructions

Dirt and grease may be removed from the exterior of the battery using a cloth or soft non-metallic brush. Do not use water or any cleaning solutions.

The RBRC® Seal

The RBRC® (Rechargeable Battery Recycling Corporation) Seal on the nickel cadmium, nickel metal hydride or lithium-ion batteries (or battery packs) indicates that the costs to recycle these batteries (or battery packs) at the end of their useful life have already been paid by CRAFTSMAN. In some areas, it is illegal to place



spent nickel cadmium, nickel metal hydride or lithium-ion batteries in the trash or municipal solid waste stream and the Call 2 Recycle® program provides an environmentally conscious alternative.

Call 2 Recycle, Inc., in cooperation with CRAFTSMAN and other battery users, has established the program in the United States and Canada to facilitate the collection of spent nickel cadmium, nickel metal hydride or lithium-ion batteries. Help protect our environment and conserve natural resources by returning the spent nickel cadmium, nickel metal hydride or lithium-ion batteries to an authorized CRAFTSMAN service center or to your local retailer for recycling. You may also contact your local recycling center for information on where to drop off the spent battery. RBRC® is a registered trademark of Call 2 Recycle, Inc.

Transportation

⚠️ WARNING: Fire hazard. Do not store or carry the battery pack so that metal objects can contact exposed battery terminals. For example, do not place the battery pack in aprons, pockets, tool boxes, product kit boxes, drawers, etc., with loose nails, screws, keys, etc. **Transporting batteries can possibly cause fires if the battery terminals inadvertently come in contact with conductive materials such as keys, coins, hand tools and the like.** The US Department of Transportation Hazardous Material Regulations (HMR) actually prohibit transporting batteries in commerce or on airplanes in carry-on baggage UNLESS they are properly protected from short circuits. So when transporting individual battery packs, make sure that the battery terminals are protected and well insulated from materials that could contact them and cause a short circuit. **NOTE:** Li-ion batteries should not be put in checked baggage.

Important Safety Instructions for All Battery Chargers

⚠️ WARNING: Read all safety warnings, instructions, and cautionary markings for the battery pack, charger and product. Failure to follow the warnings and instructions may result in electric shock, fire and/or serious injury.

- **DO NOT attempt to charge the battery pack with any chargers other than a CRAFTSMAN charger.** CRAFTSMAN chargers and battery packs are specifically designed to work together.
- **These chargers are not intended for any uses other than charging CRAFTSMAN rechargeable batteries.** Any other uses may result in risk of fire, electric shock or electrocution.
- **Do not expose the charger to rain or snow.**
- **Pull by the plug rather than the cord when disconnecting the charger.** This will reduce the risk of damage to the electric plug and cord.

- **Make sure that the cord is located so that it will not be stepped on, tripped over or otherwise subjected to damage or stress.**
- **Do not use an extension cord unless it is absolutely necessary.** Use of improper extension cord could result in risk of fire, electric shock or electrocution.
- **When operating a charger outdoors, always provide a dry location and use an extension cord suitable for outdoor use.** Use of a cord suitable for outdoor use reduces the risk of electric shock.
- **An extension cord must have adequate wire size (AWG or American Wire Gauge) for safety.** The smaller the gauge number of the wire, the greater the capacity of the cable, that is, 16 gauge has more capacity than 18 gauge. An undersized cord will cause a drop in line voltage resulting in loss of power and overheating. When using more than one extension to make up the total length, be sure each individual extension contains at least the minimum wire size. The following table shows the correct size to use depending on cord length and nameplate ampere rating. If in doubt, use the next heavier gauge. The lower the gauge number, the heavier the cord.

Minimum Gauge for Cord Sets

Volts	Total Length of Cord in Feet (meters)				
	120 V	25 (7.6)	50 (15.2)	100 (30.5)	150 (45.7)
240 V	50 (15.2)	100 (30.5)	200 (61.0)	300 (91.4)	
Ampere Rating		American Wire Gauge			
More Than	Not More Than				
0	6	18	16	16	14
6	10	18	16	14	12
10	12	16	16	14	12
12	16	14	12	Not Recommended	

- **Do not place any object on top of the charger or place the charger on a soft surface that might block the ventilation slots and result in excessive internal heat.** Place the charger in a position away from any heat source. The charger is ventilated through slots in the top and the bottom of the housing.
- **Do not operate the charger with a damaged cord or plug—have them replaced immediately.**
- **Do not operate the charger if it has received a sharp blow, been dropped or otherwise damaged in any way.** Take it to an authorized service center.
- **Do not disassemble the charger; take it to an authorized service center when service or repair is required.** Incorrect reassembly may result in a risk of electric shock, electrocution or fire.
- **Disconnect the charger from the outlet before attempting any cleaning.** This will reduce the risk of electric shock. Removing the battery pack will not reduce this risk.
- **NEVER attempt to connect 2 chargers together.**
- **The charger is designed to operate on standard 120V household electrical power. Do not attempt to**

ENGLISH

use it on any other voltage. This does not apply to the vehicular charger.



WARNING: Shock hazard. Do not allow any liquid to get inside the charger. Electric shock may result.



WARNING: Burn hazard. Do not submerge the battery pack in any liquid or allow any liquid to enter the battery pack. Never attempt to open the battery pack for any reason. If the plastic housing of the battery pack breaks or cracks, return to a service center for recycling.



CAUTION: Burn hazard. To reduce the risk of injury, charge only CRAFTSMAN rechargeable battery packs. Other types of batteries may overheat and burst resulting in personal injury and property damage.



CAUTION: Under certain conditions, with the charger plugged into the power supply, the charger can be shorted by foreign material. Foreign materials of a conductive nature, such as, but not limited to, grinding dust, metal chips, steel wool, aluminum foil or any buildup of metallic particles should be kept away from the charger cavities. Always unplug the charger from the power supply when there is no battery pack in the cavity. Unplug the charger before attempting to clean.

Charging a Battery

NOTE: To ensure maximum performance and life of lithium-ion battery packs, charge the battery pack fully before first use.

1. Plug the charger into an appropriate outlet before inserting battery pack.
2. Connect the charger and battery pack, making sure the battery is fully seated. The (charging) light will blink continuously indicating that the charging process has started.
3. The completion of charge will be indicated by the light remaining ON continuously. The battery pack is fully charged and may be removed and used at this time or left in the charger.

NOTE: To remove the battery pack, some chargers require the battery pack release button to be pressed.

Indicators

	Charging	— — — —	
	Fully Charged	————	
	Hot/Cold Pack Delay	— — — — — —	

A charger will not charge a faulty battery pack. The charger refusing to light could indicate a problem with the charger.

NOTE: If the charger refuses to light, take the charger and battery pack to be tested at an authorized service center.

Hot/Cold Pack Delay

When the charger detects a battery pack that is too hot or too cold, it automatically starts a Hot/Cold Pack Delay, suspending charging until the battery pack has reached an appropriate temperature. The charger then automatically

switches to the pack charging mode. This feature ensures maximum battery pack life.

A cold battery pack may charge at a slower rate than a warm battery pack.

Important Charging Notes

1. Longest life and best performance can be obtained if the battery pack is charged when the air temperature is between 65 °F – 75 °F (18 °C – 24 °C). DO NOT charge when the battery pack is below +40 °F (+4.5 °C), or above +104 °F (+40 °C). This is important and will prevent serious damage to the battery pack.
2. The charger and battery pack may become warm to the touch while charging. This is a normal condition, and does not indicate a problem. To facilitate the cooling of the battery pack after use, avoid placing the charger or battery pack in a warm environment such as in a metal shed or an uninsulated trailer.
3. If the battery pack does not charge properly:
 - a. Check operation of receptacle by plugging in a lamp or other appliance;
 - b. Check to see if receptacle is connected to a light switch which turns power off when you turn out the lights;
 - c. Move the charger and battery pack to a location where the surrounding air temperature is approximately 65 °F – 75 °F (18 °C – 24 °C);
 - d. If charging problems persist, take the tool, battery pack and charger to your local service center.
4. The battery pack should be recharged when it fails to produce sufficient power on jobs which were easily done previously. DO NOT CONTINUE to use under these conditions. Follow the charging procedure. You may also charge a partially used pack whenever you desire with no adverse effect on the battery pack.
5. Foreign materials of a conductive nature such as, but not limited to, grinding dust, metal chips, steel wool, aluminum foil, or any buildup of metallic particles should be kept away from charger cavities. Always unplug the charger from the power supply when there is no battery pack in the cavity. Unplug the charger before attempting to clean.
6. Do not freeze or immerse the charger in water or any other liquid.

Charger Cleaning Instructions



WARNING: Shock hazard. Disconnect the charger from the AC outlet before cleaning. Dirt and grease may be removed from the exterior of the charger using a cloth or soft non-metallic brush. Do not use water or any cleaning solutions.

SAVE THESE INSTRUCTIONS FOR FUTURE USE

COMPONENTS (FIG. A)

Intended Use

This mower is designed for residential use.

DO NOT use under wet conditions or in presence of flammable liquids or gases.

DO NOT let children come into contact with the tool. Supervision is required when inexperienced operators use this tool.

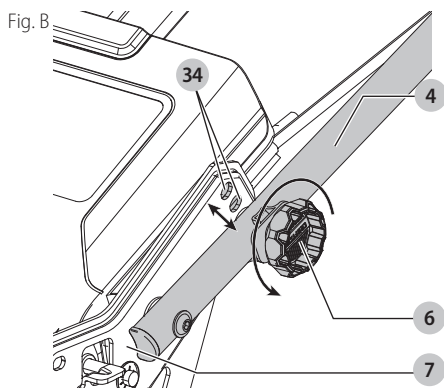
ASSEMBLY

! **DANGER:** To reduce the risk of serious personal injury, turn unit off, remove safety key, and remove battery pack before assembly, making any adjustments or removing/installing attachments or accessories. An accidental start-up can cause injury.

Adjusting Handle Height (Fig. B)

The mower is shipped in storage mode. You will need to adjust the handle to operating position before continuing.

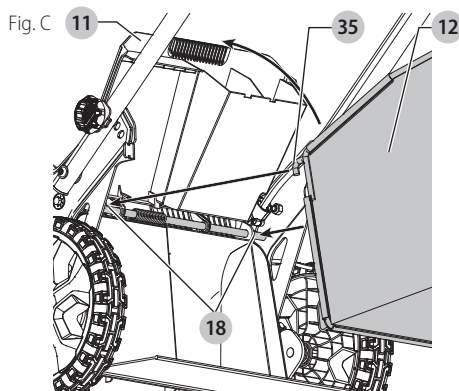
1. To unlock the handle **4** from storage position, twist the two handle locks **6** 90°. The handle locks are located on both sides of the handle as shown in Fig. B.
2. Raise the handle to operating position.
3. Locate the three handle detent holes **34** located on the handle brackets **7** as shown in Fig. B.
4. Adjust the handle to the position that best fits the operator and lock the handle in place by twisting the handle locks back 90° and allowing the handle locks **6** to snap into the desired detent holes.



Grass Collection Bag (Fig. C)

! **DANGER:** Remove safety key and battery pack, when opening rear door cover and installing bag.

1. Lift the rear door cover **11** and place the grass collection bag **12** onto the mower so the bag hooks **35** rest on the lugs **18** as shown in Fig. C. Then lower the rear door cover.



Side Discharge (Fig. A)

! **DANGER:** Remove safety key and battery pack before removing collection bag.

1. To operate mower in side discharge mode remove the grass collection bag.
2. Be sure rear door cover **11** is down for side discharge.
3. Lift the side flap **16** and hook side discharge attachment **17** onto the mower.
4. Release the side flap and ensure the attachment holds in place before turning mower on.

NOTE: The rear door cover is shaped in such a way that the opening (at the bottom) cannot be completely closed off.

OPERATION

! **DANGER:** To reduce the risk of serious personal injury, turn unit off, remove safety key, and remove battery pack before making any adjustments or removing/installing attachments or accessories. An accidental start-up can cause injury.

Installing and Removing the Battery Pack (Fig. A, D)

! **DANGER:** MAKE CERTAIN THE SAFETY KEY IS REMOVED TO PREVENT ACTUATION BEFORE REMOVING OR INSTALLING BATTERY.

NOTE: For best results, make sure the battery pack is fully charged.

To Install Battery Pack

1. Lift and hold the battery port cover **9** up to expose the battery port **19**.
2. Slide a battery pack **20** into the battery port until an audible click is heard (Fig. D). Make sure the battery pack is fully seated and fully latched into position.
3. Close the battery port cover. Ensure the cover is fully closed before starting mower.

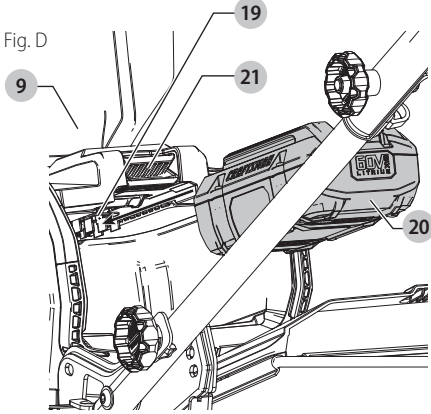
To Remove Battery Pack

1. Open the battery port cover **9** as described above.

ENGLISH

- Depress the battery release button **21** on the mower and pull battery pack **20** out of tool.

Fig. D



READ THIS INSTRUCTION MANUAL BEFORE OPERATING YOUR MOWER

Refer to Figure A at the beginning of this manual for a complete list of components. Save this manual for future reference.

- ! DANGER: Sharp moving blade.** Do not operate the mower in mulching mode if the rear door and side discharge door are not closed under spring tension as serious injury could result. Take your mower to the nearest service center for repair.
- ! DANGER: Do not operate mower unless handle is locked into position.**
- ! DANGER: Sharp moving blade.** Never operate the mower in bagging mode unless the bag hooks on the grass collection bag are seated properly on the mower and the rear discharge door rests firmly against the top of the grass collection bag as serious injury could result.
- ! WARNING:** Let the mower work at its own pace. Do not overload.

Adjusting Mower Height (Fig. E)

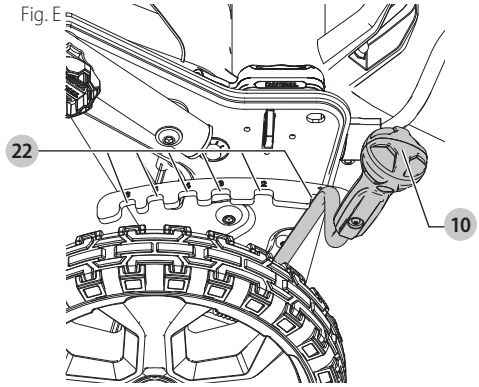
The height of cut is adjusted by the cut height adjust lever.

NOTE: If you are not sure which height to cut, begin mowing with the cut height adjustment lever **10** positioned towards the rear of the appliance and adjust the height down as needed, as shown in Fig. E.

To Set the Height of Cut

- Pull the cut height adjustment lever **10** out of the locking notch **22**.
- Move the lever towards the rear of the appliance to raise the height of cut.
- Move the lever towards the front of the appliance to lower the height of cut.
- Push the height adjustment lever into one of the locking notches.

Fig. E



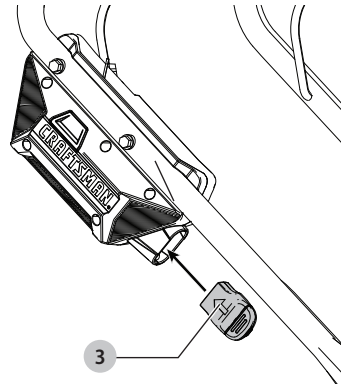
Safety Key (Fig. F)

! DANGER: Sharp moving blade. In order to prevent accidental start-up or unauthorized use of your cordless mower, a removable safety key **3** has been incorporated into the design of your mower. The mower will be completely disabled when the safety key has been removed from the mower.

NOTE: The safety key has a tether rope to allow for storage on a nail, out of the reach of children. Do not tether safety key to mower.

! DANGER: Rotating blades can cause serious injury. To prevent serious injury, remove safety key and battery pack when unattended, or when charging, cleaning, servicing, transporting, lifting, or storing mower.

Fig. F



Starting Mower (Fig. G)

! DANGER: Sharp moving blade. Never attempt to override the operation of this switch box and safety key system as serious injury could result.

NOTE: Mower is operational when battery and safety key are installed.

- Insert safety key **3** into the ON-OFF switch box **1** until it is fully seated inside housing as shown in Fig. G. The mower is now operational.

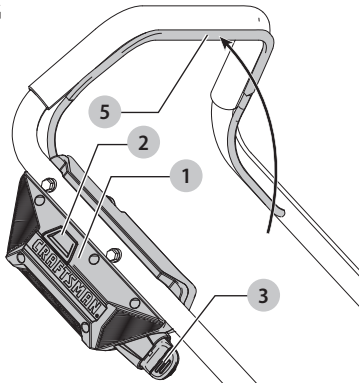
2. Your mower is equipped with a special ON-OFF switch box **1**. To operate the mower, push and hold the ON-OFF button **2** on the ON-OFF switch box **1**, then pull the bail handle **5** to the handlebar as shown in Fig. G. Once the mower starts you can release the ON-OFF button.

3. To turn the mower OFF, release the bail handle **5**.

WARNING: Never attempt to lock a switch or bail handle in the ON position.

NOTE: Once the bail handle has returned to the original position it will activate the "Automatic Braking Mechanism". The motor is mechanically braked and the mower blade will stop rotating in three seconds or less.

Fig. G



Mower Overload

To prevent damage due to overload conditions, do not try to remove too much grass at one time. Slow down your cutting pace, or raise the cut height.

Storage (Fig. A, H)

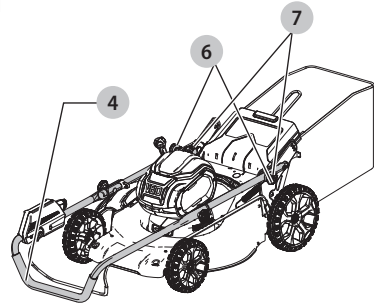
DANGER: Rotating blade can cause serious injury. Release bail handle **5** to turn mower off, remove safety key, and remove battery before lifting, transporting, or storing the mower. Store in a dry place.

CAUTION: Pinch point. To avoid being pinched, keep fingers away from area around handle brackets when folding down handles.

The handle of the mower can be easily folded down for quick and convenient storage.

1. To unlock the handle **4** pull the two handle locks **6**, located on both sides of the handle, and twist a quarter turn.
2. Fold the handle to the front of the mower as shown in Fig. H.
3. Locate the handle storage detent holes located on the handle brackets **7** as shown in Fig. H.
4. Lock the handle in place by untwisting the handle locks **6** allowing them to snap into the storage detent holes and ensure the handle is firmly latched as shown in Fig. H.

Fig. H

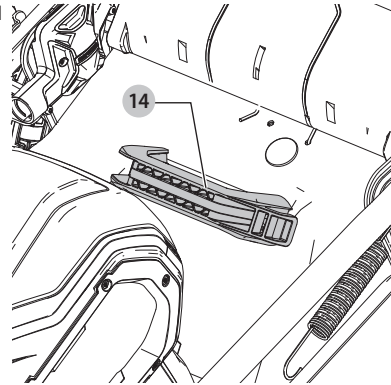


Carrying the Mower (Fig. A, I)

DANGER: Rotating blades can cause serious injury. To prevent serious injury, remove safety key and battery pack when unattended, or when charging, cleaning, servicing, transporting, lifting, or storing mower.

The mower can be carried using the convenient carry handle **14** **15**. DO NOT attempt to lift the mower by grasping the main handle **4**.

Fig. I



Mowing Tips (Fig. A)

WARNING: ALWAYS INSPECT AREA WHERE MOWER IS TO BE USED AND REMOVE ALL STONES, STICKS, WIRE, BONES, AND OTHER DEBRIS WHICH MIGHT BE THROWN BY THE ROTATING BLADE.

WARNING: Mow across the face of slopes, never up-and-down. Exercise extreme caution when changing direction on slopes. Do not mow excessively steep slopes. Always maintain good footing.

- Release bail handle to turn mower "OFF" when crossing any gravel area (stones can be thrown by the blade).
- Set mower at highest cutting height when mowing in rough ground or in tall weeds. Removing too much grass at one time can cause the motor to be overloaded and to stop.
- If a grass collection bag **12** is used during the fast growing season, the grass may tend to clog up at the

ENGLISH

discharge opening. Release bail handle to turn mower off, remove the safety key and battery pack. Remove the catcher and shake the grass down to the back end of the bag. Also clean out any grass or debris which may be packed around the discharge opening. Replace the grass catcher.

- If mower should start to vibrate abnormally, release bail handle to turn mower off, remove the safety key and battery pack. Check immediately for cause. Vibration is a warning of trouble. Do not operate mower until a service check has been made. Refer to **Troubleshooting Guide** in this manual.
- For best cutting results, keep blade sharpened and balanced.
- Inspect and thoroughly clean mower after each use as a deck with caked grass will degrade performance.
- Always release bail handle to turn mower off, remove safety key and battery pack when leaving it unattended even for a short period of time.

The following suggestions will help you to obtain optimum run time from your cordless mower:

- Slow down in areas where the grass is especially long or thick.
- Avoid mowing when the grass is wet from rain or dew-soaked.
- Cut your lawn frequently, especially during high growth periods.

NOTE: It is recommended that your mower be recharged after use to prolong the battery life. Frequent charging will not harm your battery, and will ensure that the battery is fully charged and ready for its next use. Storing battery not fully charged will shorten battery life.

MAINTENANCE

⚠ DANGER: To reduce the risk of serious personal injury, turn unit off, remove safety key, and remove battery pack before making any adjustments or removing/installing attachments or accessories. An accidental start-up can cause injury.

Removing and Installing Blade (Fig. J–L)

⚠ DANGER: RISK OF INJURY. WHEN REASSEMBLING THE BLADE SYSTEM, ENSURE EACH PART IS REINSTALLED CORRECTLY, AS DESCRIBED BELOW. IMPROPER ASSEMBLY OF THE BLADE OR OTHER PARTS OF THE BLADE SYSTEM MAY CAUSE SERIOUS INJURY.

⚠ DANGER: To reduce the risk of serious personal injury, turn unit off, remove safety key, and remove battery pack before making any adjustments or removing/installing attachments or accessories. An accidental start-up can cause injury.

1. Cut a piece of 2" x 4" wood **23** (about 2 feet long) (610 mm) to keep blade from turning when removing the flange nut **24**.

⚠ WARNING: Use gloves and proper eye protection. Turn the mower on its side. Be careful of sharp edges of blade.

2. Position wood and unscrew flange nut **24** counterclockwise with a 18 mm wrench **25** as shown in Fig. J.
3. Remove square metal blade spacer **26**, square plastic blade insulator **27** and blade **28** as shown in Fig. K. The blade fan **29** should not be removed. Examine all pieces for damage and replace if necessary.
4. Install sharpened or new blade **28** on shoulder **30** of the blade fan as shown in Fig. K.

NOTE: When replacing sharpened or new blade on shoulder of blade fan, make sure the "GRASS SIDE" on the blade will be facing the ground when the mower is returned to its normal upright position.

5. Install the plastic blade insulator **27** on the blade such that the raised lips on one side engage the edges of the blade.
6. Install the blade spacer **26** so that it sits inside the raised lips on the other side of the blade insulator. Be sure to align the flats in the hole of the blade spacer with the flats of the shaft, rotating the blade and blade insulator together as necessary.
7. Position piece of wood to keep blade from turning as shown in Fig. L. Install flange nut **24** with the flange against the blade spacer **26** and securely tighten the blade **28** with a wrench **25**.

Fig. J

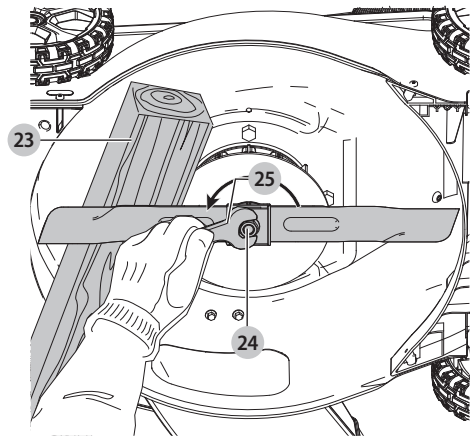


Fig. K

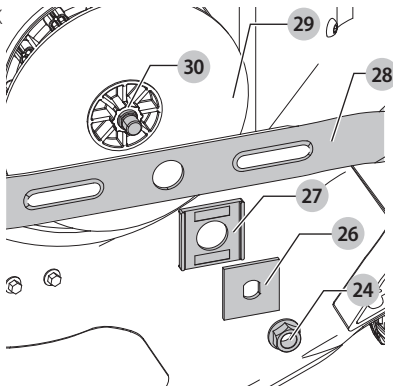
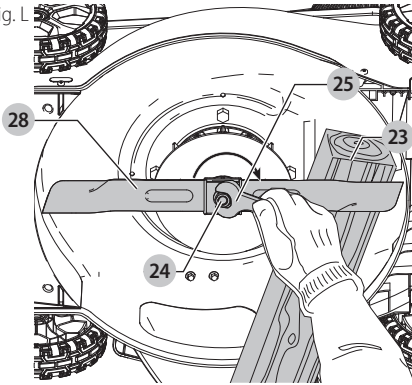


Fig. L



Blade Sharpening

KEEP BLADE SHARP FOR BEST MOWER PERFORMANCE. A DULL BLADE DOES NOT CUT GRASS CLEANLY.

WARNING: Use gloves and proper eye protection while removing, sharpening, and installing blade. Ensure that safety key and battery pack are removed.

Sharpening the blade twice during a mowing season is usually sufficient under normal circumstances. Sand causes the blade to dull quickly. If your lawn has sandy soil, more frequent sharpening may be required. **REPLACE BENT OR DAMAGED BLADE IMMEDIATELY.**

When Sharpening the Blade

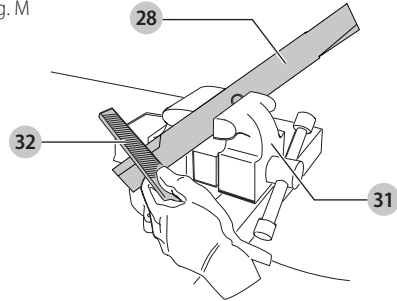
- Make sure blade remains balanced.
- Sharpen blade at the original cutting angle.
- Sharpen cutting edges on both ends of blade, removing equal amounts of material from both ends.

To Sharpen Blade in a Vise (Fig. M)

1. Be sure the bail handle is released, the blade has stopped and safety key and battery pack are removed before removing the blade.
2. Remove blade from mower. See instructions for **Removing and Installing Blade**.
3. Secure blade **28** in a vise **31**.

4. Wear proper eye protection and gloves and be careful not to cut yourself.
5. Carefully file the cutting edges of the blade with a fine tooth file **32** or sharpening stone, maintaining the angle of the original cutting edge.
6. Check balance of blade. See instructions for **Blade Balancing**.
7. Replace blade on mower and tighten securely.

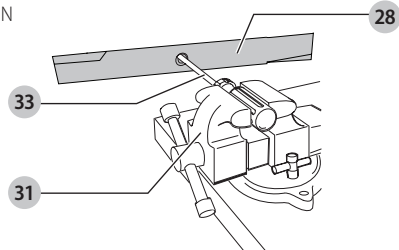
Fig. M



Blade Balancing (Fig. N)

Check balance of the blade **28** by placing center hole in the blade over a nail or round screwdriver **33**, clamped horizontally in a vise **31**. If either end of the blade rotates downward, file along the sharp edge of that dropping end. Blade is properly balanced when neither end drops.

Fig. N



Lubrication

No lubrication is necessary. Do not oil the wheels. They have plastic bearing surfaces which require no lubrication.

Cleaning (Fig. A)

WARNING: Blow dirt and dust out of all air vents with clean, dry air at least once a week. To minimize the risk of eye injury, always use ANSI Z87.1 (CAN/CSA Z94.3) approved eye protection and NIOSH/OSHA/MSHA approved respiratory protection when performing this procedure.

WARNING: Never use solvents or other harsh chemicals for cleaning the non-metallic parts of the tool. These chemicals may weaken the plastic materials used in these parts. Use a cloth dampened only with water and mild soap. Never let any liquid get inside the tool; never immerse any part of the tool into a liquid.

ENGLISH

Release bail handle **5** to turn mower off, let the blade come to a stop and then remove battery and safety key. Clean out any clippings which may have accumulated on the underside of the deck. After several uses, check all exposed fasteners for tightness.

Corrosion

Fertilizers and other garden chemicals contain agents which greatly accelerate the corrosion of metals. If you mow in areas where fertilizers or chemicals have been used, the mower should be cleaned immediately afterward as follows:

Release bail handle **5** to turn mower off and remove battery and safety key. Wipe all exposed parts with a damp cloth.



CAUTION: Do not pour or spray water on the mower in an attempt to clean it. Do not store the tool on or adjacent to fertilizers or chemicals. Such storage can cause rapid corrosion.

Meets CPSC Safety Requirements

CRAFTSMAN Mowers conform to the safety standards of the American National Standards Institute, and the U.S. Consumer Product Safety Commission. The Blade turns when the motor is running.

Accessories



WARNING: Since accessories, other than those offered by CRAFTSMAN, have not been tested with this product, use of such accessories with this tool could be hazardous. To reduce the risk of injury, only CRAFTSMAN recommended accessories should be used with this product.

Recommended accessories for use with your tool are available at extra cost from your local dealer or authorized service center. If you need assistance in locating any accessory, please contact CRAFTSMAN, call **1-888-331-4569**.

Repairs

The charger and battery pack are not serviceable. There are no serviceable parts inside the charger or battery pack.



WARNING: To assure product SAFETY and RELIABILITY, repairs, maintenance and adjustment (including brush inspection and replacement, when applicable) should be performed by a CRAFTSMAN factory service center or a CRAFTSMAN authorized service center. Always use identical replacement parts.

Register Online

Thank you for your purchase. Register your product now for:

- **WARRANTY SERVICE:** Registering your product will help you obtain more efficient warranty service in case there is a problem with your product.
- **CONFIRMATION OF OWNERSHIP:** In case of an insurance loss, such as fire, flood or theft, your registration of ownership will serve as your proof of purchase.
- **FOR YOUR SAFETY:** Registering your product will allow us to contact you in the unlikely event a safety

notification is required under the Federal Consumer Safety Act.

Register online at www.craftsman.com/

Four Year Limited Warranty

CRAFTSMAN will repair or replace, without charge, any defects due to faulty materials or workmanship for four years from the date of purchase. This warranty does not cover part failure due to normal wear or tool abuse. For further detail of warranty coverage and warranty repair information, visit www.craftsman.com or call **1-888-331-4569**. This warranty does not apply to accessories or damage caused where repairs have been made or attempted by others. THIS LIMITED WARRANTY IS GIVEN IN LIEU OF ALL OTHERS, INCLUDING THE IMPLIED WARRANTY OF MERCHANTABILITY AND FITNESS FOR A PARTICULAR PURPOSE, AND EXCLUDES ALL INCIDENTAL OR CONSEQUENTIAL DAMAGES. Some states do not allow limitations on how long an implied warranty lasts or the exclusion or limitation of incidental or consequential damages, so these limitations may not apply to you. This warranty gives you specific legal rights and you may have other rights which vary in certain states or provinces.

NOTE: Battery warranty voided if the battery pack is tampered with in any way. CRAFTSMAN is not responsible for any injury caused by tampering and may prosecute warranty fraud to the fullest extent permitted by law.

90 DAY MONEY BACK GUARANTEE

If you are not completely satisfied with the performance of your CRAFTSMAN Power Tool or Nailer for any reason, you can return it within 90 days from the date of purchase with a receipt for a full refund – no questions asked.

LATIN AMERICA: This warranty does not apply to products sold in Latin America. For products sold in Latin America, see country specific warranty information contained in the packaging, call the local company or see website for warranty information.

FREE WARNING LABEL REPLACEMENT: If your warning labels become illegible or are missing, call **1-888-331-4569** for a free replacement.

TROUBLESHOOTING GUIDE



DANGER: To reduce the risk of serious personal injury, turn unit off, remove safety key, and remove battery pack before making any adjustments or removing/installing attachments or accessories. An accidental start-up can cause injury.

For assistance with your product call CRAFTSMAN at 1-888-331-4569.

PROBLEM	SOLUTION
Mower doesn't run when bail handle is activated	<p>Check to make sure safety key has been installed and is fully seated and that button on switch housing is being completely depressed before pulling bail handle.</p> <p>Release bail handle to turn mower off. Remove safety key and battery pack, turn mower over and check that blade is free to turn.</p> <p>Check that the battery cavity is free of debris and is connected properly.</p> <p>Has battery been fully charged? Press state of charge button.</p>
Motor stops while mowing	<p>Release bail handle to turn mower off. Remove safety key and battery pack. Turn mower over and check that blade is free to turn.</p> <p>Raise cutting height of wheels to highest position and start mower.</p> <p>Check that the battery cavity is free of debris and is connected properly.</p> <p>Has battery been fully charged? Press state of charge button.</p> <p>Avoid overloading the mower. Slow down the cutting pace, or raise the cut height.</p>
Mower runs but cutting performance is unsatisfactory, or does not cut entire lawn	<p>Has battery been fully charged? Press state of charge button.</p> <p>Release bail handle to turn mower off. Remove safety key and battery pack. Turn mower over and check:</p> <ul style="list-style-type: none"> • Blade for sharpness - Keep blade sharp. • Deck and discharge chute for clogging. <p>Wheel height adjustment may be set too low for grass condition. Raise cutting height.</p>
Mower is too hard to push	<p>Release bail handle to turn mower off. Remove safety key and battery pack. Raise cutting height to reduce deck drag on grass. Check each wheel for free rotation.</p>
Mower is abnormally noisy and vibrates	<p>Release bail handle to turn mower off. Remove safety key and battery pack. Turn mower on side and check blade to ensure it has not been bent or damaged. If blade is damaged, replace with a CRAFTSMAN replacement blade. If the underside of the deck is damaged, return mower to a CRAFTSMAN Authorized service center.</p> <p>If there is no visible damage to the blade and the mower still vibrates: Release bail handle to turn mower off. Remove safety key and battery pack. Disassemble entire blade assembly as described in the Removing and Installing Blade section. Remove any debris and clean each piece. Replace each piece as described in the Removing and Installing Blade section. If mower still vibrates, return the mower to an authorized CRAFTSMAN authorized service center.</p>
Mower not picking up clippings with bag	<p>Chute clogged. Release bail handle to turn mower off. Remove safety key and battery pack. Clear chute of grass clippings.</p> <p>Raise cutting height of wheels to shorten length of the cut.</p> <p>Bag full. Empty bag more often.</p>

Définitions : symboles et termes d'alarmes sécurité

Ces guides d'utilisation utilisent les symboles et termes d'alarmes sécurité suivants pour vous prévenir de situations dangereuses et de risques de dommages corporels ou matériels.





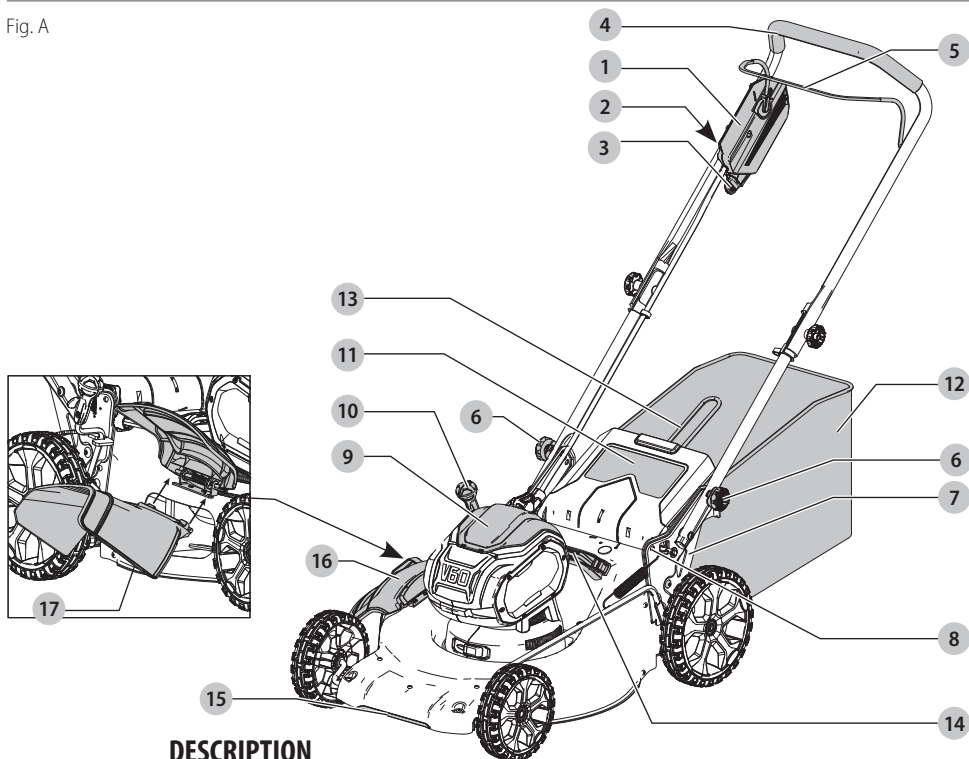

-  **DANGER** : indique une situation dangereuse imminente qui, si elle n'est pas évitée, **entraînera la mort ou des blessures graves**.
 -  **AVERTISSEMENT** : indique une situation potentiellement dangereuse qui, si elle n'est pas évitée, **pourrait entraîner la mort ou des blessures graves**.
 -  **ATTENTION** : indique une situation potentiellement dangereuse qui, si elle n'est pas évitée, **pourrait entraîner des blessures légères ou modérées**.
 -  (Si utilisé sans aucun terme) Indique un message propre à la sécurité.
- AVIS** : indique une pratique ne posant **aucun risque de dommages corporels** mais qui par contre, si rien n'est fait pour l'éviter, **pourrait poser des risques de dommages matériels**.

Fig. A



DESCRIPTION

- | | |
|--|---|
| 1 Boîtier de commande marche/arrêt | 10 Levier de réglage de la hauteur de coupe |
| 2 Bouton marche/arrêt | 11 Capot de la porte arrière |
| 3 Clé de sûreté | 12 Sac de collecte du gazon |
| 4 Poignée | 13 Poignée du sac de collecte du gazon |
| 5 Anse | 14 Poignée de transport supérieure |
| 6 Verrous de la poignée | 15 Poignée de transport inférieure |
| 7 Supports de la poignée | 16 Volet latéral |
| 8 Trous des crans de rangement de la poignée | 17 Module d'éjection latérale |
| 9 Capot du logement des blocs-piles | |

 **AVERTISSEMENT** : lire tous les avertissements de sécurité et toutes les directives. Le non-respect des avertissements et des directives pourrait se solder par un choc électrique, un incendie et/ou une blessure grave.

 **AVERTISSEMENT** : ne jamais modifier l'outil électrique ni aucun de ses composants, car il y a des risques de dommages corporels ou matériels.

 **AVERTISSEMENT** : afin de réduire le risque de blessures, lire le mode d'emploi de l'outil.

Pour toute question ou remarque au sujet de cet outil ou de tout autre outil CRAFTSMAN composez le numéro sans frais :

Tondeuse V60 CMCMW260

AVERTISSEMENTS DE SÉCURITÉ IMPORTANTES ET INSTRUCTIONS



AVERTISSEMENT : afin de réduire le risque de blessure :

- Avant toute utilisation, assurez-vous que toutes les personnes qui utiliseront cet outil lisent et comprennent toutes les consignes de sécurité et les autres renseignements compris dans le présent manuel.
- Conservez ces instructions et passez-les en revue fréquemment avant l'utilisation et la formation d'autres personnes.



AVERTISSEMENT : lors de l'utilisation de tondeuses à gazon alimentées par piles, les mesures de précaution de base devraient toujours être prises pour réduire le risque d'incendie, de choc électrique et de blessures, incluant ce qui suit.

LISEZ TOUTES LES INSTRUCTIONS

INSTRUCTIONS ET AVERTISSEMENTS DE SÉCURITÉ GÉNÉRAUX POUR TOUS LES OUTILS

- **Cet outil peut être dangereux.** Suivez tous les avertissements et toutes les instructions de sécurité dans ce manuel. L'utilisateur est responsable de suivre les avertissements et instructions de ce manuel et sur l'appareil. Limitez l'utilisation de cette tondeuse aux personnes qui lisent, comprennent et suivent les avertissements et les instructions de ce manuel et sur l'appareil.
- **Évitez les environnements dangereux.** Ne pas utiliser des tondeuses dans des endroits humides ou mouillés.
- **Ne pas utiliser sous la pluie.**
- **Gardez les enfants éloignés.** Tous les visiteurs devraient être gardés à une distance sécuritaire de l'aire de travail.
- **Portez des vêtements appropriés.** Ne pas porter des vêtements amples ou des bijoux. Ils peuvent se coincer dans les pièces qui se déplacent. L'utilisation de gants en caoutchouc et de chaussures est recommandée lors du travail extérieur.
- **Utilisez des lunettes de sécurité.** Utilisez un masque facial ou antipoussières s'il y a de la poussière durant l'utilisation.
- **Utilisez le bon outil.** Ne pas utiliser la tondeuse à gazon pour toute tâche autre que celles pour lesquelles elle est conçue.
- **Vérifiez s'il y a des pièces endommagées.** Avant toute utilisation ultérieure de la tondeuse, un protecteur ou une autre pièce qui est endommagé doit être soigneusement vérifié afin de déterminer s'il fonctionnera correctement et s'il effectuera la fonction prévue. Vérifiez l'alignement des pièces qui se déplacent, les fixations des pièces qui se

déplacent, le bris des pièces, le montage et tout autre état qui peut affecter leur utilisation. Un protecteur ou une autre pièce qui est endommagé doit être convenablement réparé ou remplacé par un centre de services autorisé sauf indication contraire dans ce manuel.

- **Réparations et service.** Les réparations, l'entretien et les ajustements non énumérés dans ce guide doivent être effectués dans des centres de services autorisés ou des entreprises de service qualifiées, toujours en utilisant des pièces de remplacement identiques.
- **Ne pas forcer la tondeuse.** Elle travaillera mieux et sera plus sécuritaire à la vitesse pour laquelle elle a été conçue.
- **Ne pas s'étirer.** Maintenez vos pieds bien d'équilibre sur le sol et un bon équilibre en tout temps.
- **Demeurez vigilant.** Regardez ce que vous faites. Faites preuve de bon sens. Ne pas utiliser la tondeuse lorsque vous êtes fatigué.
- **Débranchez la tondeuse.** Retirez la clé de sûreté et le bloc-piles de la tondeuse lorsque vous ne l'utilisez pas, avant de réparer, lorsque vous changez les accessoires comme les lames et autres.
- **Entreposez la tondeuse à gazon arrêtée à l'intérieur.** Lorsqu'elle n'est pas utilisée, la tondeuse à gazon doit être entreposée à l'intérieur dans un endroit sec et verrouillé hors de portée des enfants. Retirez la clé de sûreté et le bloc-piles.
- **Entretenez soigneusement la tondeuse à gazon.** Gardez bords coupants aiguisés et propre pour la meilleure performance et la plus sécuritaire. Pour lubrifier l'outil et remplacer les accessoires, suivez les directives du manuel. Gardez vos mains sèches, propres et exemptes de graisse et de poussière.
- **Maintenez les protecteurs en place en bon état de fonctionnement.**
- **Gardez les lames aiguisées.**
- **Gardez vos mains et vos pieds à distance de la zone de coupe.**
- **Les objets frappés par la lame de la tondeuse à gazon peuvent causer des blessures graves à des personnes.** Le gazon doit toujours être soigneusement examiné et libre de tout objet avant chaque tonte.
- **Si la tondeuse à gazon frappe un objet étranger, suivez ces étapes :**
 1. Arrêtez la tondeuse à gazon. Relâchez l'anse.
 2. Retirez le bloc-piles et la clé de sûreté.
 3. Inspectez pour tout dommage.
 4. Réparez tout dommage avant de redémarrer et d'utiliser la tondeuse à gazon.
- **Utilisez seulement des lames de remplacement identiques.**

CONSERVEZ CES INSTRUCTIONS

Important

Pratiques sécuritaires pour les tondeuses à pousser

Cette machine peut amputer les mains et les pieds et projeter des objets. Ne pas respecter les instructions de sécurité suivantes pourrait entraîner une blessure grave ou la mort.

Renseignements généraux

1. Lisez, comprenez et suivez les instructions et les avertissements dans ce guide et sur la machine, le moteur et les accessoires.
2. Permettez seulement aux utilisateurs, qui sont responsables, formés, qui connaissent bien les instructions et ayant les capacités physiques nécessaires d'utiliser la machine.
3. Ne pas utiliser la machine lorsque vous êtes sous l'influence de l'alcool ou de la drogue.

Préparation avant l'utilisation

1. Retirez tout objet de la zone d'utilisation qui pourrait être projeté ou nuire à l'utilisation de la machine.
2. Gardez tous les passants à l'écart de la zone d'utilisation, particulièrement les jeunes enfants. Arrêtez la machine et les accessoires si quelqu'un entre dans la zone.
3. Ne pas faire fonctionner la machine sans tout le sac à herbe, le conduit d'éjection ou autres dispositifs de sécurité en place et fonctionnant correctement. Vérifiez régulièrement les signes d'usure ou de détérioration et remplacer s'il y a lieu.
4. Portez un équipement de protection individuel approprié comme des lunettes de sécurité, une protection auditive et des chaussures.

Utilisation

1. Utilisez seulement la machine en plein jour ou avec une bonne lumière artificielle.
2. Évitez les trous, les ornières, les bosses, les roches ou d'autres dangers cachés. Un terrain inégal faire renverser la machine ou faire sorte que l'utilisateur perde son équilibre ou son aplomb.
3. Ne pas mettre les mains ou les pieds près des pièces en rotation ou sous la machine. Tenez-vous éloigné de l'ouverture d'éjection en tout temps.
4. Ne pas diriger la matière rejetée vers quiconque. Évitez de rejeter la matière contre un mur ou une obstruction. La matière peut ricocher vers l'utilisateur. Arrêtez les lames lorsque vous traversez des surfaces en gravier.

Concernant les enfants

1. Des accidents tragiques peuvent se produire si l'utilisateur ne fait pas attention à la présence des enfants. Les enfants sont souvent attirés par la machine et l'activité de tonte. Ne jamais présumer que les enfants demeureront à l'endroit où vous les avez vus la dernière fois.
2. Gardez les enfants hors de la zone d'utilisation et sous la vigilance d'un adulte responsable autre que l'utilisateur.

Concernant les pentes

1. Les pentes sont un facteur important lié aux accidents. L'utilisation sur les pentes nécessite une prudence accrue.
2. Déplacez-vous dans la direction recommandée par le fabricant sur les pentes. Soyez prudent lorsque vous utilisez la tondeuse près de ruptures de pente.
3. Évitez de tondre le gazon mouillé. (Si vos pieds ne sont pas d'aplomb, cela pourrait entraîner un glissement et une chute accidentelle.)
4. Ne pas utiliser la machine dans le cas où la traction, la direction ou la stabilité remise en question. La tondeuse pourrait glisser même si les roues sont arrêtées.
5. Évitez les démarrages ou les arrêts sur les pentes. Évitez de changer soudainement de vitesse ou de direction. Tournez lentement et graduellement.
6. Soyez très prudent lorsque vous utilisez la machine avec un sac à herbe ou un (des) autre(s) accessoire(s). Ils peuvent affecter la stabilité de la machine.

Réparer

1. Gardez la machine en bon état de fonctionnement. Remplacez les pièces usées ou endommagées.
2. Soyez prudent lorsque vous entretenez les lames. Enveloppez la (les) lame(s) ou portez des gants. Remplacez les lames endommagées. Ne pas réparer ou altérer la (les) lame(s).

Les éléments suivants sont des explications des symboles de danger et sécurité importants sur la tondeuse.



L'utilisateur doit lire et comprendre le manuel d'instructions.



Afin d'éviter le risque de blessure grave, ne pas tondre les pentes vers le haut et vers le bas. Tondez toujours en travers de pentes.



Afin d'éviter le risque de blesser les passants, gardez toutes les personnes et tous les animaux à une distance sécuritaire de la tondeuse durant l'utilisation.



Les lames en rotation peuvent causer de graves blessures. Gardez les mains et les pieds loin du châssis de la tondeuse et de l'ouverture d'éjection en tout temps. Relâchez l'anse pour éteindre la tondeuse et attendez que la lame cesse de tourner (environ 3 secondes) et retirez la clé de sûreté et retirez le blocs-pile avant de retirer et de replacer le collecteur d'herbe, de nettoyer, d'entretenir, de transporter ou de soulever la tondeuse.



Les objets frappés par la lame de la tondeuse peuvent causer une blessure grave. Restez derrière la poignée lorsque le moteur fonctionne. Assurez-vous toujours que les personnes et les animaux sont éloignés de l'éjection provenant de la tondeuse durant l'utilisation. Inspectez toujours la zone de tonte avant de tondre et retirez les objets qui pourraient être projetés par la lame. Relâchez l'anse pour éteindre la tondeuse et attendez que la lame cesse de tourner (environ 3 secondes) avant de traverser le trottoir, les routes, le patio et les entrées en gravier.

Consigne de sécurité supplémentaire



AVERTISSEMENT : porter **SYSTEMATIQUEMENT** des lunettes de protection. Les lunettes courantes NE sont PAS des lunettes de protection. Utiliser aussi un masque antipoussières si l'opération est poussiéreuse. **PORTER SYSTEMATIQUEMENT UN ÉQUIPEMENT DE SÉCURITÉ HOMOLOGUÉ** :

- Protection oculaire ANSI Z87.1 (CAN/CSA Z94.3) ;
- Protection auditive ANSI S12.6 (S3.19) ;
- Protection des voies respiratoires NIOSH/ OSHA/ MSHA.



AVERTISSEMENT : certaines poussières produites par ce produit contiennent des produits chimiques reconnus par l'État de la Californie comme pouvant causer le cancer, les anomalies congénitales et d'autres dangers pour la reproduction. Voici quelques exemples de ces produits chimiques :

- composés présents dans les engrais
- composés présents dans les insecticides, herbicides et pesticides
- arsenic et chrome provenant de bois traité chimiquement

Pour réduire votre exposition à ces produits chimiques, porter un équipement de sécurité approuvé comme un masque antipoussières conçu pour filtrer les particules microscopiques. L'étiquette apposée sur votre outil peut inclure les symboles suivants. Les symboles et leur définition sont indiqués ci-après :

V	volts	SPM (FPM)	fréquence par minute
Hz	hertz	OPM	oscillations par minute
min	minutes	A	ampères
— or DC	courant continu	W	watts
Ⓢ	fabrication classe I (mis à la terre)	~ or AC	courant alternatif
... /min	par minute	⎓ or AC/DC	courant alternatif ou continu
BPM	battements par minute	Ⓜ	fabrication classe II (double isolation)
IPM	impacts par minute	n ₀	vitesse à vide
RPM	révolutions par minute	n	vitesse nominale
sfpm (plpm)	pieds linéaires par minute	Ⓡ	borne de terre

- ▲
- ⚠
- Ⓢ

IPXX

- Ⓢ
- Ⓢ
- Ⓢ

BLOCS-PILES ET CHARGEURS

Le bloc-piles n'est pas totalement chargé d'usine. Avant d'utiliser le bloc-piles et le chargeur, lire les consignes de sécurité ci-après puis suivre la procédure de chargement indiquée. Pour commander un bloc-piles de recharge, s'assurer d'en inclure le numéro de catalogue et la tension.

LIRE TOUTES LES CONSIGNES

Consignes importantes de sécurité les blocs-piles



AVERTISSEMENT : lisez toutes les consignes de sécurité, les instructions et les symboles d'avertissements du bloc-piles, du chargeur et du produit. Tout manquement aux avertissements et instructions pose des risques de décharges électriques, d'incendie et/ou de blessures graves.

- **Ne pas recharger ou utiliser un bloc-piles en milieu déflagrant, en présence, par exemple, de poussières, gaz ou liquides inflammables.** Le fait d'insérer ou retirer un bloc-piles de son chargeur pourrait causer l'inflammation de poussières ou d'émanations.
 - **Lorsque non utilisé, garder le bloc-piles éloigné de petits objets métalliques comme des trombones attache-feuilles, des pièces de monnaie, des clous et vis ou autres pièces qui pourraient court-circuiter les bornes.** Un court-circuit pourrait causer des brûlures ou un incendie.
 - **NE JAMAIS forcer l'insertion d'un bloc-piles dans un chargeur. NE modifier un bloc-piles d'AUCUNE façon pour le faire rentrer dans un chargeur incompatible, car il pourrait se briser et causer des dommages corporels graves.** Consulter le tableau en dernière page de ce manuel pour connaître les compatibilités entre chargeurs et blocs-piles.
 - Recharger les blocs-piles exclusivement dans des chargeurs CRAFTSMAN.
 - **NE PAS** éclabousser le bloc-piles ou l'immerger dans l'eau ou dans tout autre liquide.
 - **Ne pas entreposer ou utiliser l'appareil et le bloc-piles en présence de températures ambiantes pouvant excéder 40 °C (104 °F) (comme dans des hangars ou des bâtiments métalliques l'été).** Pour préserver leur durée de vie, entreposer les blocs-piles dans un endroit frais et sec.
- REMARQUE** : ne pas mettre un bloc-piles dans un outil dont la gâchette est verrouillée en position de marche. Ne jamais bloquer l'interrupteur en position de MARCHÉ.

- **Ne pas incinérer le bloc-piles même s'il est sévèrement endommagé ou complètement usagé, car il pourrait exploser et causer un incendie.** Pendant l'incinération des blocs-piles au lithium-ion, des vapeurs et matières toxiques sont dégagées.
- **En cas de contact du liquide de la pile avec la peau, rincer immédiatement au savon doux et à l'eau.** En cas de contact oculaire, rincer l'œil ouvert à l'eau claire une quinzaine de minutes ou jusqu'à ce que l'irritation cesse. Si des soins médicaux s'avéraient nécessaires, noter que l'électrolyte de la pile est composé d'un mélange de carbonates organiques liquides et de sels de lithium.
- **Le contenu des cellules d'une pile ouverte peut causer une irritation respiratoire.** En cas d'inhalation, exposer l'individu à l'air libre. Si les symptômes persistent, consulter un médecin.



AVERTISSEMENT : risques de brûlure. Le liquide de la pile peut s'enflammer s'il est exposé à des étincelles ou à une flamme.



AVERTISSEMENT : risques d'incendie. Ne jamais tenter d'ouvrir le bloc-piles pour quelque raison que ce soit. Si le boîtier du bloc-piles est fissuré ou endommagé, ne pas l'insérer dans un chargeur. Ne pas écraser, laisser tomber, ou endommager les blocs-piles. Ne pas utiliser un bloc-piles ou un chargeur qui a reçu un choc violent, ou si l'appareil est tombé, a été écrasé ou endommagé de quelque façon que ce soit (p. ex. percé par un clou, frappé d'un coup de marteau, piétiné). Les blocs-piles endommagés doivent être renvoyés à un centre de réparation pour y être recyclés.

Recommandations de stockage

1. Le lieu idéal de rangement est un lieu frais et sec, à l'abri de toute lumière solaire directe et de toute température excessive.
2. Pour un stockage prolongé, il est recommandé d'entreposer le bloc-piles pleinement chargé dans un lieu frais et sec, hors du chargeur pour optimiser les résultats.

REMARQUE : les blocs-piles ne devraient pas être entreposés complètement déchargés. Il sera nécessaire de recharger le bloc-piles avant réutilisation.

Instructions d'entretien du blocs-pile

Éliminer toute saleté ou graisse de la surface externe du blocs-pile à l'aide d'un chiffon ou d'une brosse non métallique douce. N'utiliser ni eau ni aucun nettoyant liquide.

Le sceau SRPRC®

Le sceau SRPRC® (Société de recyclage des piles rechargeables du Canada) apposé sur une pile au nickel-cadmium, à hydrure métallique de nickel ou au lithium-ion (ou un bloc-piles) indique que les coûts de recyclage de ces derniers en fin d'utilisation ont déjà été réglés par CRAFTSMAN. Dans certaines régions, la mise au rebut ou



aux ordures municipales des piles au nickel-cadmium, à l'hydrure métallique de nickel ou au lithium-ion, est illégale ; le programme de l'Appel à Recycler® constitue donc une solution pratique et écologique.

Appel à Recycler Canada, Inc., en collaboration avec CRAFTSMAN et d'autres utilisateurs de piles, a mis sur pied de programme aux États-Unis et au Canada pour faciliter la collecte des piles au nickel-cadmium, à l'hydrure métallique de nickel ou au lithium-ion usagées. Aidez-nous à protéger l'environnement et à conserver nos ressources naturelles en renvoyant les piles au nickel-cadmium, à l'hydrure métallique de nickel ou au lithium-ion usagées à un centre de réparation autorisé CRAFTSMAN ou chez votre détaillant afin qu'elles y soient recyclées. On peut en outre se renseigner auprès d'un centre de recyclage local pour connaître d'autres sites les acceptant. SRPRC® est une marque déposée de l'Appel à Recycler Canada, Inc.

Transport



AVERTISSEMENT : risques d'incendie. Au moment de ranger ou transporter le bloc-piles, veiller à protéger ses bornes à découvert de tout objet métallique. Par exemple, éviter de placer le bloc-piles dans un tablier, une poche, une boîte à outils ou un tiroir, etc. contenant des objets tels que clous, vis, clés, etc. **Le fait de transporter des blocs-piles comporte des risques d'incendie, car les bornes des piles pourraient entrer, par inadvertance, en contact avec des objets conducteurs, tels que : clés, pièces de monnaie, outils ou autres.**

La réglementation sur les produits dangereux (Hazardous Material Regulations) du département américain des transports interdit, en fait, le transport des blocs-piles dans les commerces ou dans les avions dans les bagages de cabine, À MOINS qu'ils ne soient correctement protégés de tout court-circuit. Aussi lors du transport individuel de blocs-piles, s'assurer que leurs bornes sont bien protégées et isolées de tout matériau pouvant entrer en contact avec elles et provoquer un court-circuit. **REMARQUE** : il ne faut pas laisser de piles au li-ion dans les bagages enregistrés.

Directives de sécurité importantes propres à tous les chargeurs de piles



AVERTISSEMENT : lisez toutes les consignes de sécurité, les instructions et les symboles d'avertissements du bloc-piles, du chargeur et du produit. Tout manquement aux avertissements et instructions pose des risques de décharges électriques, d'incendie et/ou de blessures graves.

- **NE PAS tenter de recharger le bloc-piles avec tout autre chargeur qu'une unité CRAFTSMAN.** Le chargeur CRAFTSMAN et son bloc-piles sont conçus spécialement pour fonctionner conjointement.
- **Ces chargeurs n'ont pas été conçus pour une utilisation autre que recharger les blocs-piles rechargeables CRAFTSMAN.** Toute autre utilisation

comporte des risques d'incendie, de chocs électriques ou d'électrocution.

- **Protéger le chargeur de la pluie ou de la neige.**
- **Tirer sur la fiche plutôt que sur le cordon pour débrancher le chargeur.** Cela permet de réduire les risques d'endommager la fiche ou le cordon d'alimentation.
- **S'assurer que le cordon est protégé de manière à ce que personne ne marche ni ne trébuche dessus, ou à ce qu'il ne soit ni endommagé ni soumis à aucune tension.**
- **N'utiliser une rallonge qu'en cas de nécessité absolue.** L'utilisation d'une rallonge inadéquate comporte des risques d'incendie, de chocs électriques ou d'électrocution.
- **Pour utiliser un chargeur à l'extérieur, le placer dans un endroit sec et utiliser une rallonge conçue pour l'extérieur.** L'utilisation d'une rallonge conçue pour l'extérieur réduit les risques de chocs électriques.
- **Pour la sécurité de l'utilisateur, utiliser une rallonge de calibre adéquat (AWG, American Wire Gauge [calibrage américain normalisé des fils électriques]).** Plus le calibre est petit, et plus sa capacité est grande. Un calibre 16, par exemple, a une capacité supérieure à un calibre 18. L'usage d'une rallonge de calibre insuffisant causera une chute de tension qui entraînera perte de puissance et surchauffe. Si plus d'une rallonge est utilisée pour obtenir une certaine longueur, s'assurer que chaque rallonge présente au moins le calibre de fil minimum. Le tableau ci-dessous illustre les calibres à utiliser selon la longueur de rallonge et l'intensité nominale indiquée sur la plaque signalétique. En cas de doute, utiliser le calibre suivant. Plus le calibre est petit, plus la rallonge peut supporter de courant.

Calibre minimum pour les cordons d'alimentation

Volts		Longueur totale du cordon d'alimentation en mètre (pieds)			
120 V		7,6 (25)	15,2 (50)	30,5 (100)	45,7 (150)
240 V		15,2 (50)	30,5 (100)	61,0 (200)	91,4 (300)
Ampères		AWG			
Plus que	Pas plus que				
0	6	18	16	16	14
6	10	18	16	14	12
10	12	16	16	14	12
12	16	14	12	Non recommandé	

- **Ne poser aucun objet sur le chargeur. Ne pas mettre le chargeur sur une surface molle qui pourrait en bloquer la ventilation et provoquer une surchauffe interne.** Éloigner le chargeur de toute source de chaleur. Le chargeur dispose d'orifices d'aération sur le dessus et le dessous du boîtier.
- **Ne pas le faire fonctionner avec un cordon d'alimentation ou une fiche endommagée**—les remplacer immédiatement.
- **Ne pas utiliser le chargeur s'il a reçu un coup, fait une chute ou a été endommagé de quelque façon que ce soit.** Le ramener dans un centre de réparation agréé.

- **Ne pas démonter le chargeur. Pour tout service ou réparation, le rapporter dans un centre de réparation agréé.** Le fait de le réassembler de façon incorrecte comporte des risques de chocs électriques, d'électrocution et d'incendie.
- **Débrancher le chargeur du secteur avant tout entretien. Cela réduira tout risque de chocs électriques.** Le fait de retirer le bloc-piles ne réduira pas ces risques.
- **NE JAMAIS tenter de connecter 2 chargeurs ensemble.**
- **Le chargeur a été conçu pour être alimenté en courant électrique domestique standard de 120 volts. Ne pas tenter de l'utiliser avec toute autre tension.** Cela ne s'applique pas aux chargeurs de postes mobiles.



AVERTISSEMENT : risques de chocs électriques. Ne laisser aucun liquide pénétrer dans le chargeur, des chocs électriques pourraient en résulter.



AVERTISSEMENT : risques de brûlure. Ne submerger le bloc-piles dans aucun liquide et le protéger de toute infiltration de liquide. Ne jamais tenter d'ouvrir le bloc-piles pour quelque raison que ce soit. Si le boîtier plastique du bloc-piles est brisé ou fissuré, le retourner dans un centre de réparation pour y être recyclé.



ATTENTION : risques de brûlure. Pour réduire tout risque de dommages corporels, ne recharger que des blocs-piles rechargeables CRAFTSMAN. Tout autre type de piles pourrait exploser et causer des dommages corporels et matériels.












ATTENTION : sous certaines conditions, lorsque le chargeur est connecté au bloc d'alimentation, des matériaux étrangers pourraient court-circuiter le chargeur. Les corps étrangers conducteurs tels que (mais pas limité à) poussières de rectification, débris métalliques, laine d'acier, feuilles d'aluminium, ou toute accumulation de particules métalliques doivent être maintenus à distance des orifices du chargeur. Débrancher systématiquement le chargeur lorsque le bloc-piles n'y est pas inséré. Débrancher systématiquement le chargeur avant tout entretien.

Chargement du bloc-piles

REMARQUE : afin d'assurer la performance et la vie maximales des blocs-piles au lithium-ion, chargez complètement le bloc-pile avant la première utilisation.

1. Branchez le chargeur dans une prise appropriée avant d'insérer le bloc-piles.
2. Branchez le chargeur et le bloc-piles en vous assurant que le bloc-piles est bien mis en place. Le voyant rouge (chargement) clignotera sans cesse indiquant que le processus de chargement est commencé.
3. La fin de la recharge sera indiquée par le voyant qui demeurera allumé de façon continue. Le bloc-piles est complètement chargé et peut être retiré utilisé à ce moment ou laissé dans le chargeur.

REMARQUE : pour retirer le bloc-piles, on doit appuyer sur le bouton de libération du bloc-piles sur certains chargeurs.

Indicators	
	Bloc-piles en Cours de Chargement  
	Bloc-piles Chargé  
	Suspension de Charge Contre le Chaud/Froid  

Le chargeur ne pourront recharger des blocs-piles défectueux. Le chargeur qui refuse de s'allumer peut indiquer un problème avec le chargeur bloc-piles.

REMARQUE : si le chargeur ne se met pas en fonction, faites tester le chargeur et le bloc-piles à un centre de service autorisé.

Fonction de suspension de charge contre le chaud/froid

Lorsque le chargeur détecte un bloc-piles trop chaud ou trop froid, il démarre automatiquement la fonction de suspension de charge contre le chaud, suspendant le chargement jusqu'à ce que le bloc-piles ait repris une température appropriée. Le chargeur ensuite se remettra automatiquement en mode de chargement. Cette caractéristique assure aux blocs-piles une durée de vie maximale.

Un bloc-piles froid peut recharger moins vite qu'un bloc-piles chaud.

Remarques importantes concernant le chargement

- Pour augmenter la durée de vie du bloc-piles et optimiser son rendement, le recharger à une température ambiante de 18 °C à 24 °C (65 °F à 75 °F). NE PAS charger lorsque le bloc-piles est en dessous de +4,5 °C (+40 °F) ou au-dessus de +40 °C (+104 °F). C'est important pour prévenir tout dommage sérieux au bloc-piles.
- Le chargeur et son bloc-piles peuvent devenir chauds au toucher pendant la charge. C'est normal et ne représente en aucun cas une défaillance du produit. Pour faciliter le refroidissement du bloc-piles après utilisation, éviter de laisser le chargeur ou le bloc-piles dans un local où la température ambiante est élevée comme dans un hangar métallique ou une remorque non isolée.
- Si le bloc-piles ne se recharge pas correctement :
 - Vérifier le bon fonctionnement de la prise en y branchant une lampe ou tout autre appareil électrique.
 - Vérifier que la prise n'est pas contrôlée par un interrupteur qui coupe le courant lorsqu'on éteint les lumières.
 - Déplacer le chargeur et le bloc-piles dans un local où la température ambiante se trouve entre environ 18 °C et 24 °C (65 °F et 75 °F).
- Si le problème persiste, amener l'outil, le bloc-piles et son chargeur dans un centre de réparation local.

- Recharger le bloc-piles lorsqu'il ne produit plus assez de puissance pour effectuer un travail qu'il faisait facilement auparavant. NE PAS CONTINUER à l'utiliser dans ces conditions. Suivre la procédure de charge. Si nécessaire, il est aussi possible de recharger un bloc-piles partiellement déchargé sans effet nuisible sur le bloc-piles.
- Les corps étrangers conducteurs tels que (mais pas limité à) poussières de rectification, débris métalliques, laine d'acier, feuilles d'aluminium, ou toute accumulation de particules métalliques doivent être maintenus à distance des orifices du chargeur. Débrancher systématiquement le chargeur lorsque le bloc-piles n'y est pas inséré. Débrancher systématiquement le chargeur avant tout entretien.
- Ne pas congeler ou immerger le chargeur dans l'eau ou tout autre liquide.

Instructions d'entretien du chargeur



AVERTISSEMENT : risques de chocs électriques.

Débrancher le chargeur de la prise de courant alternatif avant tout entretien. Éliminer toute saleté ou graisse de la surface externe du chargeur à l'aide d'un chiffon ou d'une brosse non métallique douce. N'utiliser ni eau ni aucun nettoyant liquide.

CONSERVER CES CONSIGNES POUR UTILISATION ULTÉRIEURE

DESCRIPTION (FIG. A)

Usage prévu

Cette tondeuse est conçue pour applications domestique.

NE PAS les utiliser en milieu ambiant humide ou en présence de liquides ou de gaz inflammables.

NE PAS le laisser à la portée des enfants. Une supervision est nécessaire auprès de tout utilisateur non expérimenté.

ASSEMBLAGE ET AJUSTEMENTS



DANGER : afin de réduire le risque de blessure corporelle, éteignez l'outil, retirez la clé de sûreté et retirez le blocs-pile avant d'assembler, d'effectuer tout ajustement ou de retirer/installer des pièces ou des accessoires. Un démarrage accidentel peut causer des blessures.

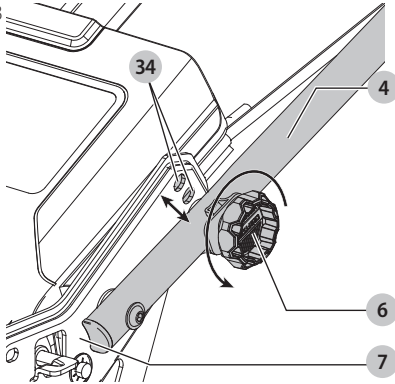
Ajuster la hauteur de la poignée (Fig. B)

Cette tondeuse est expédiée en mode d'entreposage. Vous devrez ajuster la poignée en position de fonctionnement avant de continuer.

- Pour déverrouiller la poignée **4** de la position d'entreposage, tournez les deux verrous de la poignée **6** à 90°. Les verrous de la poignée sont situés des deux côtés de la poignée comme illustré dans la Fig. B.
- Montez la poignée en position de fonctionnement.
- Localisez les trous des crans de la poignée **16** situés sur les supports de la poignée **7** comme illustré dans la Fig. B.

4. Ajustez la poignée à la position qui convient le mieux à l'utilisateur et verrouillez la poignée en place en tournant les verrous de la poignée **6** à 90° en leur permettant de s'enclencher dans les trous désirés.

Fig. B

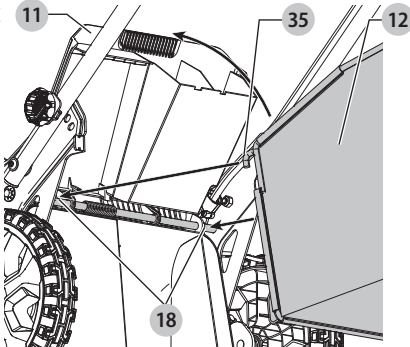


Sac de collecte du gazon (Fig. C)

! DANGER : retirez la clé de sûreté et le blocs-pile avant lorsque vous ouvrez le capot de la porte arrière et installez le sac.

1. Levez le capot de la porte arrière **11** et placez le sac de collecte du gazon **12** sur la tondeuse afin que les crochets du sac **35** s'appuient sur les languettes **18** comme illustré dans la Fig. C. Baissez ensuite le capot de la porte arrière.

Fig. C



Éjection latérale (Fig. A)

! DANGER : retirez la clé de sûreté et le blocs-piles avant de retirer le sac de collecte.

1. Pour utiliser la tondeuse en mode d'éjection latérale, retirez le sac de collecte du gazon.
2. Assurez-vous que le capot de la porte arrière **11** est baissé pour l'éjection latérale.
3. Soulever le volet latéral **16** et accrocher le module d'éjection latérale **17** sur la tondeuse.
4. Libérer le volet latéral et s'assurer que le module tient en place avant d'allumer la tondeuse.

REMARQUE : le capot de la porte arrière est formé de façon à ce que l'ouverture (en bas) ne puisse pas être complètement fermée

FONCTIONNEMENT



DANGER : afin de réduire le risque de blessure corporelle, éteignez l'outil, retirez la clé de sûreté et retirez le blocs-pile avant d'assembler, d'effectuer tout ajustement ou de retirer/installer des pièces ou des accessoires. Un démarrage accidentel peut causer des blessures.

Installer et retirer le bloc-piles (Fig. A, D)



DANGER : ASSUREZ-VOUS QUE LA CLÉ DE SÛRETÉ EST RETIRÉE AFIN D'ÉVITER L'ACTIVATION AVANT D'INSTALLER OU DE RETIRER LES PILES.

REMARQUE : pour une meilleure performance, assurez-vous que chaque bloc-piles est entièrement chargé.

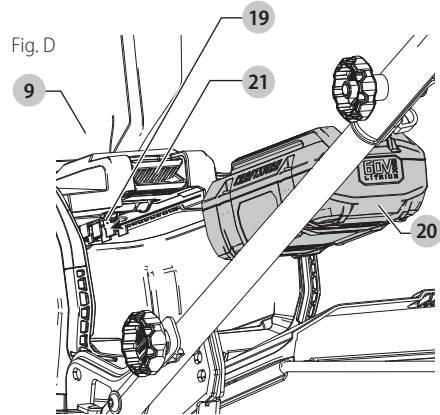
Pour installer le blocs-pile

1. Levez et maintenez le capot du logement du bloc-piles **9** pour exposer le logement du bloc-piles **19**.
2. Glissez un bloc-piles **20** dans le logement du bloc-piles jusqu'à ce que vous entendiez un clic (Fig. D). Assurez-vous que le bloc-piles est complètement inséré et verrouillé en place.
3. Fermez le capot du logement des blocs-piles. Assurez-vous que le capot est complètement fermé avant de démarrer la tondeuse.

Pour retirer le bloc-piles

1. Ouvrez le capot du logement des blocs-piles **9** comme décrit ci-dessus.
2. Appuyez sur le bouton de libération des piles **21** sur la tondeuse, puis sortez le bloc-piles **20** de l'outil.

Fig. D



LISEZ LE MANUEL D'INSTRUCTION AVANT D'UTILISER VOTRE TONDEUSE

Consultez la Figure A au début de ce guide pour une liste complète des composants. Conservez ce manuel pour référence ultérieure.



DANGER : lame tranchante en mouvement. Ne pas utiliser la tondeuse en mode déchiquetage si la porte arrière et l'éjection latérale ne sont pas fermées sous la tension du ressort puisque cela pourrait

entraîner une blessure grave. Apportez votre tondeuse au centre de services le plus près pour des réparations.

! **DANGER : ne pas utiliser la tondeuse tant que la poignée est verrouillée en place.**

! **DANGER : lame tranchante en mouvement.**

Ne jamais utiliser la tondeuse en mode sac à moins que les crochets du sac sur le sac à herbe soient bien placés sur la tondeuse et que la porte d'éjection arrière demeure bien sur le dessus du sac à herbe puisque cela pourrait entraîner une blessure grave.

! **AVERTISSEMENT : laissez la tondeuse fonctionner à son propre rythme. Ne pas surcharger.**

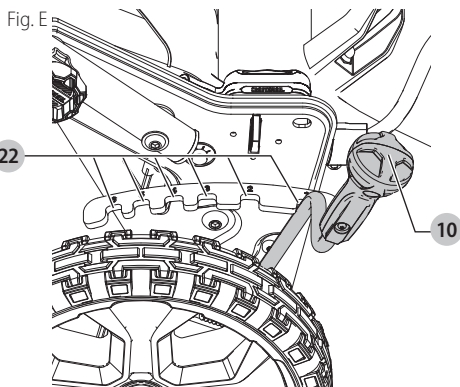
Ajuster la hauteur de la tondeuse (Fig. E)

La hauteur de coupe est ajustée par le levier de réglage de la hauteur de coupe.

REMARQUE : Si vous n'êtes pas certain à quelle hauteur couper, commencez la tonte avec le levier de réglage de la hauteur de coupe **10** placé vers l'arrière de l'appareil et ajuster la hauteur vers le bas au besoin comme illustré dans la Fig. E.

Pour régler la hauteur de la coupe

- Sortez sur le levier de réglage de la hauteur de coupe **10** du cran de verrouillage **22**.
- Déplacez le levier vers l'arrière de l'appareil pour monter la hauteur de la coupe.
- Déplacez le levier vers l'avant de l'appareil pour baisser la hauteur de la coupe.
- Pousser le levier de réglage de la hauteur de coupe dans le cran de verrouillage.

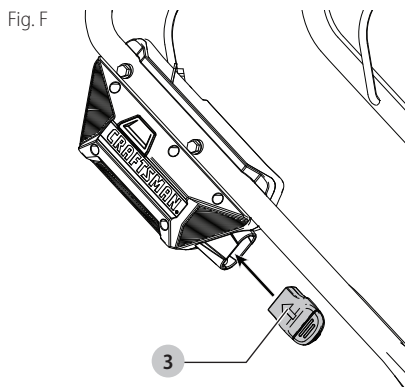


Clé de sûreté (Fig. F)

! **DANGER : lame tranchante en mouvement.** Afin de prévenir le démarrage accidentel ou l'utilisation non autorisée de votre tondeuse sans fil, une clé de sûreté amovible **3** a été intégrée dans la conception de votre tondeuse. La tondeuse sera complètement désactivée lorsque la clé de sûreté a été retirée de la tondeuse.

REMARQUE : la clé de sûreté a une corde pour accrocher afin de permettre l'entreposage sur un clou, hors de portée des enfants. Ne pas accrocher la clé de sûreté à la tondeuse.

! **DANGER : les lames en rotation peuvent causer de graves blessures.** Afin de prévenir une blessure grave, retirez la clé de sûreté et le bloc-piles lorsque la tondeuse est laissée sans surveillance ou pendant le chargement, le nettoyage, l'entretien, le transport, la levée ou l'entreposage de la tondeuse.



Démarrer la tondeuse (Fig. G)

! **DANGER : lame tranchante en mouvement.** Ne jamais tenter de forcer le fonctionnement du boîtier de commande et le système de clé de sûreté puisque cela pourrait entraîner une blessure grave.

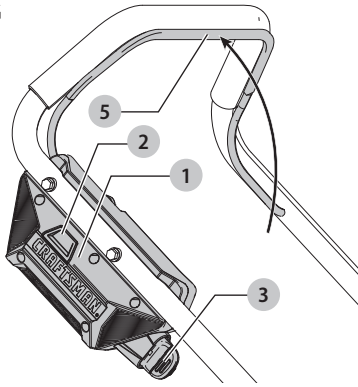
REMARQUE : la tondeuse est opérationnelle lorsque le bloc-piles et la clé de sûreté sont installés.

- Insérez la clé de sûreté **3** dans le BOÎTIER de commande **1** jusqu'à ce qu'elle soit complètement placée à l'intérieur du boîtier comme illustré dans la Fig. G. La tondeuse est maintenant opérationnelle.
- Votre tondeuse est munie d'un BOÎTIER de commande spécial **1**. Pour utiliser la tondeuse, appuyez et maintenez le bouton marche-arrêt **2** sur le BOÎTIER de commande **1**, puis tirez l'anse **5** vers la barre de la poignée comme illustré dans la Fig. G. Une fois que la tondeuse démarre, vous pouvez relâcher le bouton marche-arrêt.
- Pour éteindre la tondeuse, relâchez l'anse **5**.

! **AVERTISSEMENT : ne jamais tenter de verrouiller le boîtier de commande ou l'anse lorsque l'outil est en marche.**

REMARQUE : Une que la poignée aura retournée à position originale, cela activera le « Mécanisme de freinage automatique ». Le moteur est freiné mécaniquement et la lame de la tondeuse s'arrêtera de tourner en trois secondes ou moins.

Fig. G



Surcharge de la tondeuse

Afin de prévenir les dommages dus à des conditions de surcharge, ne pas tenter de retirer trop d'herbe à la fois. Ralentissez le rythme de votre coupe ou augmentez la hauteur de la coupe.

Entreposage (Fig. A, H)

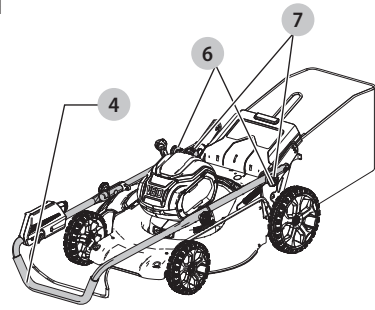
⚠ DANGER : la lame en rotation peuvent causer de graves blessures. Relâchez l'anse 5 pour éteindre la tondeuse, retirez la clé de sûreté et retirez le bloc-piles avant de lever, transporter ou entreposer la tondeuse. Entrepochez dans un endroit sec.

⚠ ATTENTION : point de pincement. Pour éviter d'être pincé, gardez vos doigts loin de la zone autour des supports de poignées lorsque vous rabattez les poignées.

La poignée de la tondeuse peut être facilement rabattue pour un entreposage rapide et pratique.

1. Pour déverrouiller la poignée 4, tirez les deux verrous de la poignée 6 situés des deux côtés de la poignée et tournez d'un quart de tour.
2. Rabattez la poignée vers l'avant de la tondeuse comme illustré dans la Fig. H.
3. Localisez les deux trous des crans de rangement de la poignée situés sur les supports de la poignée 7 comme illustré dans la Fig. H.
4. Verrouillez la poignée en place en défaisant les verrous de la poignée 6 leur permettant de s'enclencher dans les trous des crans de rangement de la poignée et assurez-vous que la poignée est bien verrouillée comme illustré dans la Fig. H.

Fig. H

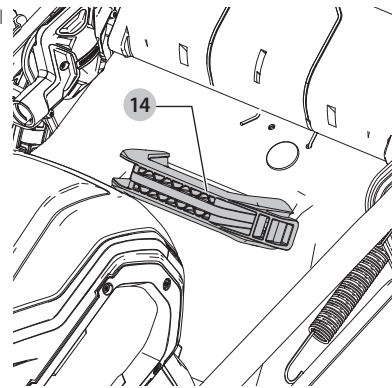


Transporter la tondeuse (Fig. A, I)

⚠ DANGER : les lames en rotation peuvent causer de graves blessures. Afin de prévenir une blessure grave, retirez la clé de sûreté et le bloc-piles lorsque la tondeuse est laissée sans surveillance ou pendant le chargement, le nettoyage, l'entretien, le transport, la levée ou l'entreposage de la tondeuse.

La tondeuse peut être transportée à l'aide de poignées de transport pratiques 14 15. NE PAS tenter de lever la tondeuse en saisissant la poignée principale 4.

Fig. I



Conseils de tonte (Fig. A)

⚠ AVERTISSEMENT : INSPECTEZ TOUJOURS LA ZONE OÙ LA TONDEUSE DOIT ÊTRE UTILISÉE ET RETIREZ TOUTES LES PIERRES, TOUS LES BÂTONS, FILS, OS ET AUTRES DÉBRIS QUI PEUVENT ÊTRE PROJETÉS PAR LA LAME EN ROTATION.

⚠ AVERTISSEMENT : tondez en vous déplaçant en travers des pentes, jamais vers le haut ou vers le bas. Soyez très prudent lorsque vous changez de direction sur les pentes. Ne pas tondre sur des pentes très raides. Maintenez toujours un bon aplomb.

FRANÇAIS


- Relâchez l'anse pour éteindre la tondeuse lorsque vous croisez toute zone en gravier (les pierres peuvent être projetées par la lame).
- Réglez la tondeuse à la hauteur la plus haute lorsque vous tondez sur un sol accidenté ou des herbes hautes. Retirer trop d'herbes à la fois peut entraîner une surcharge et un arrêt du moteur.
- Si un sac de collecte du gazon **12** est utilisé durant la saison de croissance rapide, le gazon peut avoir tendance à obstruer l'ouverture d'éjection. Relâchez l'anse pour éteindre la tondeuse, retirez la clé de sûreté et le bloc-piles. Retirez le sac et secouez l'herbe vers l'extrémité arrière du sac. Nettoyez aussi l'herbe ou tout débris qui peut être entassé autour de l'ouverture d'éjection. Remplacez le sac à herbe.
- Si la tondeuse devait démarrer en vibrant de façon anormale, relâchez l'anse pour éteindre la tondeuse, retirez la clé de sûreté et le bloc-piles. Vérifiez immédiatement la cause. La vibration est un avertissement de problème. Ne pas utiliser la tondeuse jusqu'à ce qu'une vérification de services ait été effectuée. Consultez la section **Gui de Dépannage**.
- Pour de meilleurs résultats de coupe, gardez la lame aiguisée et équilibrée.
- Inspectez et nettoyez la tondeuse en profondeur après chaque utilisation puisqu'un châssis avec de l'herbe durcie réduira la performance.
- Retirez toujours l'anse pour éteindre la tondeuse, retirez la clé de sûreté et le bloc-piles lorsque vous la laissez sans surveillance même pour une courte période.

Les suggestions suivantes vous aideront à obtenir une durée de fonctionnement optimale de votre tondeuse sans fil :

- Ralentissez dans les zones où l'herbe est particulièrement longue ou épaisse.
- Évitez de tondre si l'herbe est mouillée en raison de la pluie ou mouillée par la rosée.
- Coupez souvent votre gazon, particulièrement durant les périodes de forte croissance.

REMARQUE : Il est recommandé que votre tondeuse soit rechargée après l'utilisation afin de prolonger la durée des piles. Les chargements fréquents ne nuira pas vos piles et assurez-vous que les piles sont entièrement chargées et prêtes pour leur utilisation suivante. Entreposer des piles non chargées entièrement réduira la durée de vie des piles.

MAINTENANCE

 **DANGER : afin de réduire le risque de blessure corporelle, éteignez l'outil, retirez la clé de sûreté et retirez le bloc-pile avant d'assembler, d'effectuer tout ajustement ou de retirer/installer des pièces ou des accessoires. Un démarrage accidentel peut causer des blessures.**

Retirer et installer la lame (Fig. J–L)



DANGER : RISQUE DE BLESSURE. LORSQUE VOUS RÉASSEMBLEZ LE SYSTÈME DE LAME, ASSUREZ-VOUS QUE CHAQUE PIÈCE EST RÉINSTALLÉE CORRECTEMENT, COMME DÉCRIT CI-DESSOUS. UN ASSEMBLAGE INAPPROPRIÉ DE LA LAME OU D'AUTRES PIÈCES DU SYSTÈME DE LAME PEUT CAUSER UNE BLESSURE GRAVE.



DANGER : afin de réduire le risque de blessure corporelle, éteignez l'outil, retirez la clé de sûreté et retirez le bloc-piles avant d'effectuer tout ajustement ou de retirer/installer des pièces ou des accessoires. Un démarrage accidentel peut causer des blessures.

1. Coupez une pièce de bois 2" x 4" **23** (environ 2 pieds de long) (610 mm) pour empêcher la lame de tourner lorsque vous retirez l'écrou de la bride **24**.



AVERTISSEMENT : utilisez des gants et une protection oculaire appropriée. Tournez la tondeuse sur le côté. Faites attention aux bords aiguisés de la lame.

2. Placez le bois et dévissez l'écrou de la bride **24** dans le sens contraire des aiguilles d'une montre avec une clé de 18 mm **25** comme illustré dans la Fig. J.
3. Retirez l'entretoise en métal carrée en métal **26**, l'isolant en plastique carré de la lame **27** et la lame **28** comme illustré dans la Fig. K. Le ventilateur à pales **29** ne doit pas être retiré. Examinez toutes les pièces pour tout dommage et remplacez-les au besoin.
4. Installez la nouvelle lame ou la lame aiguisée **28** sur l'épaulement **30** du ventilateur à pales) comme illustré dans la Fig. K.

REMARQUE : lorsque vous remplacez une nouvelle lame ou une lame aiguisée sur l'épaulement du ventilateur à pales,, assurez-vous que le « CÔTÉ HERBE » sur la lame sera face au sol lorsque la tondeuse est retournée dans sa position verticale normale.

5. Installez l'isolant en plastique carré de la lame **27** sur la lame de manière à ce que les bords surélevés sur un côté s'engagent dans les bords de la lame.
6. Installez l'entretoise de la lame **26** de manière à ce qu'elle se place à l'intérieur des bords surélevés de l'autre côté de l'isolant de la lame. Assurez-vous d'aligner les embouts plats dans le trou de l'entretoise de la lame avec les embouts plats de la tige, en tournant la lame et l'isolant de la lame ensemble au besoin.
7. Placez la pièce de bois pour empêcher la lame de tourner comme illustré dans la Fig. L. Installez l'écrou de la bride **24** avec la tige contre l'entretoise de la lame **26** et vissez la lame **28** de façon sécuritaire avec une clé **25**.

Fig. J

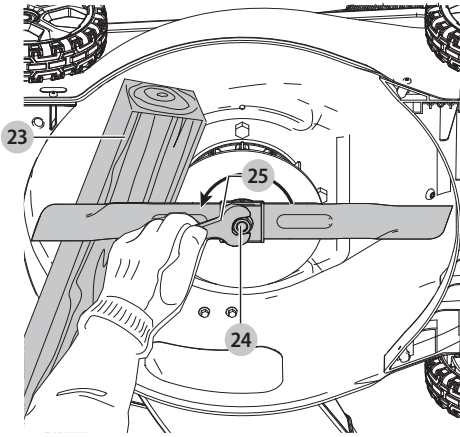


Fig. K

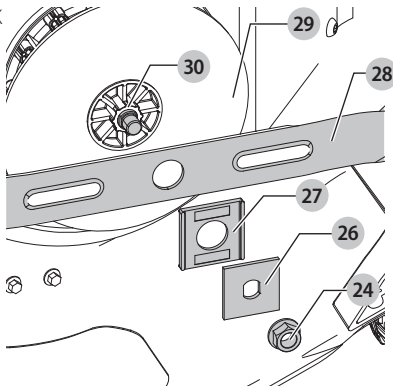
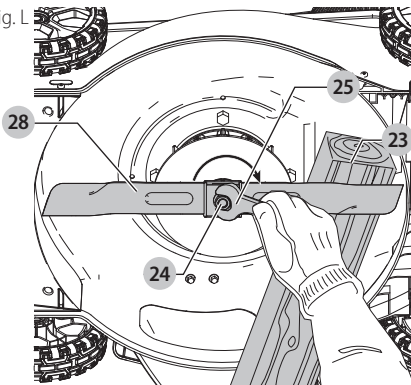


Fig. L



Aiguiser la lame

GARDEZ LA LAME AIGUISÉE POUR UNE MEILLEURE PERFORMANCE DE LA TONDEUSE. UNE LAME ÉMOUSSÉE NE COUPE PAS L'HERBE NETTEMENT.



AVERTISSEMENT : utilisez des gants et une protection oculaire appropriée pendant que vous retirez, aiguisiez et installez la lame. Assurez-vous que la clé de sûreté et le bloc-piles sont retirés.

Aiguiser la lame deux fois par saison de tonte est habituellement suffisant en circonstances normales. Le sable cause l'éroussement rapide de la lame. Si le gazon a un sol sablonneux, aiguiser plus souvent peut être nécessaire.

REPLACEZ IMMÉDIATEMENT UNE LAME PLIÉE OU ENDOMMAGÉE.

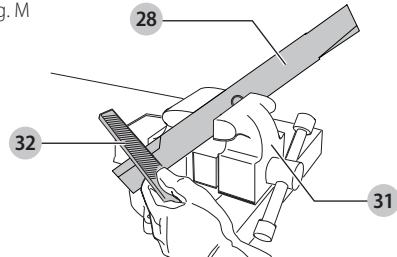
Lorsque vous aiguiser la lame

- Assurez-vous que la lame reste équilibrée.
- Aiguiser la lame dans l'angle de coupe original.
- Aiguiser les bords coupants aux deux extrémités de la lame, retirez une quantité égale de matière aux deux extrémités.

Pour aiguiser la lame dans un étau (Fig. M)

1. Assurez-vous que l'anse est relâchée, que la lame est arrêtée et que la clé de sûreté et le bloc-piles sont retirés avant de retirer la lame.
2. Retirez la lame de la tondeuse. Consultez les instructions pour **Retirer et installer la lame**.
3. Sécurisez la lame **28** dans un étau **31**.
4. Portez une protection oculaire et des gants appropriés et faites attention de ne pas vous couper.
5. Limez soigneusement les bords coupants de la lame avec une lime à dents fines **32** ou une pierre à aiguiser, en maintenant l'angle du bord de coupe original.
6. Vérifiez l'équilibre de la lame. Consultez les instructions pour **Équilibrer la lame**.
7. Remplacez la lame sur la tondeuse et vissez solidement.

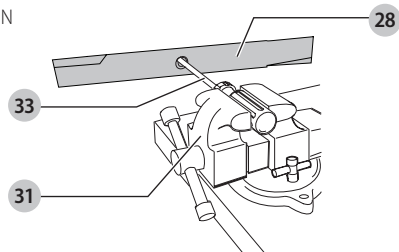
Fig. M



Équilibrer la lame (Fig. N)

Vérifiez l'équilibre de la lame **28** en plaçant le trou central de la lame sur un clou ou un tournevis rond **33**, fixé horizontalement dans un étau **31**. Si l'une ou l'autre des extrémités de la lame tourne vers le bas, limez le long du bord aiguisé de cette extrémité en baisse. La lame est bien équilibrée lorsqu'aucune des extrémités ne baisse.

Fig. N



Lubrification

Aucune lubrification n'est nécessaire. Ne pas huiler les roues. Elles ont des surfaces d'appui en plastique qui ne nécessitent aucune lubrification.

Nettoyage (Fig. A)



AVERTISSEMENT : soufflez la saleté et la poussière de tous les événements avec de l'air sec et propre au moins une fois par semaine. Afin de réduire le risque de blessure aux yeux, utilisez toujours une protection oculaire approuvée ANSI Z87.1 (CAN/CSA Z94.3) et une protection respiratoire approuvée NIOSH/OSHA/MSHA lorsque vous effectuez ceci.



AVERTISSEMENT : ne jamais utiliser de solvant ou d'autres produits chimiques forts pour le nettoyage des pièces non métalliques de l'outil. Ces produits chimiques peuvent affaiblir les matériaux plastiques des pièces. Utilisez un linge trempé seulement dans de l'eau et du savon doux. Ne jamais laisser de liquide entrer à l'intérieur de l'outil, ne jamais immerger toute partie de l'outil dans un liquide.

Relâchez l'anse **S** pour éteindre la tondeuse, laissez la lame s'arrêter et retirez le bloc-piles et la clé de sûreté. Nettoyez tout gazon coupé qui peut s'être accumulé sur le dessous du châssis. Après plusieurs utilisations, vérifiez toutes les fixations exposées sont bien serrées.

Corrosion

Les fertilisants et d'autres produits chimiques pour le jardin contiennent des agents qui accélèrent grandement la corrosion des métaux. Si vous tondez dans des zones où des fertilisants et des produits chimiques ont été utilisés, la tondeuse doit être immédiatement nettoyée après comme ce qui suit :

Relâchez l'anse **S** pour éteindre la tondeuse et retirez le bloc-piles et la clé de sûreté. Essuyez toutes les pièces exposées avec un linge humide.



ATTENTION : ne pas verser ou vaporiser de l'eau sur la tondeuse pour tenter de la nettoyer. Ne pas entreposer l'outil sur ou près de fertilisants ou de produits chimiques. Un tel entreposage peut causer de la corrosion.

Respecte les exigences de sécurité de la CPSC

Les tondeuses CRAFTSMAN sont conformes aux normes de sécurité de l'American National Standards Institute et de la Consumer Product Safety Commission aux États-Unis. La lame tourne lorsque le moteur est en marche.

Accessoires



AVERTISSEMENT : puisque les accessoires autres que ceux offerts par CRAFTSMAN n'ont pas été testés avec ce produit, leur utilisation pourrait s'avérer dangereuse. Pour réduire le risque de blessures, utiliser exclusivement les accessoires CRAFTSMAN recommandés avec le présent produit.

Les accessoires recommandés pour cet outil sont vendus séparément au centre de service de votre région. Pour obtenir de l'aide concernant l'achat d'un accessoire, communiquer avec CRAFTSMAN, composer le **1-888-331-4569**.

Réparations

Le chargeur et le bloc-piles ne sont pas réparables. Le chargeur ou le bloc-piles ne comportent aucune pièce réparable.



AVERTISSEMENT : pour assurer la SÉCURITÉ et la FIABILITÉ du produit, les réparations, l'entretien et les réglages doivent être réalisés (cela comprend l'inspection et le remplacement du balai, le cas échéant) par un centre de réparation en usine CRAFTSMAN ou un centre de réparation agréé CRAFTSMAN. Toujours utiliser des pièces de rechange identiques.

Registre en ligne

Merci pour votre achat. Enregistrez dès maintenant votre produit :

- **RÉPARATIONS SOUS GARANTIE**: cette carte remplie vous permettra de vous prévaloir du service de réparations sous garantie de façon plus efficace dans le cas d'un problème avec le produit.
- **CONFIRMATION DE PROPRIÉTÉ**: en cas de perte provoquée par un incendie, une inondation ou un vol, cette preuve de propriété vous servira de preuve auprès de votre compagnie d'assurances.
- **SÉCURITÉ**: l'enregistrement de votre produit nous permettra de communiquer avec vous dans l'éventualité peu probable de l'envoi d'un avis de sécurité régi par la loi fédérale américaine de la protection des consommateurs.

Registre en ligne à www.craftsman.com/registration

Garantie limitée de quatre ans

CRAFTSMAN réparera ou remplacera sans frais tout appareil défectueux en raison d'un défaut de matériau ou de main-d'œuvre sur une période de quatre ans à partir de la date d'achat de l'outil. Cette garantie ne couvre pas les pièces en panne pour cause d'abus ou d'usure normale de l'outil. Pour plus de détails au sujet de la couverture de la garantie et l'information de réparation sous garantie, visitez www.craftsman.com ou composez le **1-888-331-4569**.

Cette garantie ne s'applique pas aux accessoires ou dommages causés par des réparations effectuées ou tentées par d'autres. CETTE GARANTIE REMPLACE TOUTES LES AUTRES, INCLUANT LES GARANTIES IMPLICITES DE LA QUALITÉ MARCHANDE ET L'APTITUDE POUR UN BUT PARTICULIER, ET EXCLUT TOUS LES DOMMAGES ACCIDENTELS OU CONSÉCUTIFS. Certaines provinces ne permettent pas de limitation sur la durée de la garantie implicite ou l'exclusion ou la limitation de dommages indirects, alors ces limitations peuvent ne pas s'appliquer à vous. Cette garantie vous donne des droits légaux particuliers et vous pouvez avoir d'autres droits qui varient selon les états ou les provinces.

REMARQUE : La garantie du bloc-piles est annulée si le bloc-piles est altéré de quelque façon que ce soit. CRAFTSMAN n'est pas responsable de toute blessure causée par une altération peut intenter des poursuites pour fraude de garantie dans les limites des lois en vigueur.

GARANTIE DE RETOUR DE 90 JOURS SANS CONDITION

Si vous n'êtes pas entièrement satisfait de la performance de votre outil électrique ou de votre cloueuse CRAFTSMAN, vous pouvez le retourner en moins de 90 jours de la date d'achat avec une preuve d'achat pour un remboursement complet, sans aucune raison à fournir.

AMÉRIQUE LATINE : La présente garantie ne s'applique pas aux produits vendus en Amérique latine. Pour les produits vendus en Amérique latine, consultez les renseignements sur la garantie particulière au pays comprise dans l'emballage, appelez l'entreprise locale ou consultez le site Web pour les renseignements complets sur la garantie.

REMPLACEMENT GRATUIT DES ÉTIQUETTES

D'AVERTISSEMENT : si les étiquettes d'avertissement deviennent illisibles ou sont manquantes, composer le **1-888-331-4569** pour en obtenir le remplacement gratuit.

GUIDE DE DÉPANNAGE



DANGER : afin de réduire le risque de blessure corporelle, éteignez l'outil, retirez la clé de sûreté et retirez les blocs-piles avant d'effectuer tout ajustement ou de retirer/installer des pièces ou des accessoires. Un démarrage accidentel peut causer des blessures.

Pour toute question ou commentaire à propos de n'importe quel outil CRAFTSMAN, appelez-nous au numéro sans frais : **1-888-331-4569**.

PROBLÈME	SOLUTION
La tondeuse ne fonctionne pas lorsque l'anse est activée	Assurez-vous que la clé de sûreté est installée et est entièrement placée et que le bouton du boîtier de commande est complètement appuyé avant de tirer l'anse. Relâchez l'anse pour éteindre la tondeuse. Retirez la clé de sûreté et les blocs-piles, retournez la tondeuse et vérifiez si la lame tourne librement. Vérifiez si le logement des piles est libre de débris et bien connecté. Est-ce que les blocs-piles sont entièrement chargés? Appuyez sur le bouton de l'état de chargement.
Le moteur s'arrête durant la tonte	Relâchez l'anse pour éteindre la tondeuse. Retirez la clé de sûreté et les blocs-piles. Retournez la tondeuse et vérifiez si la lame tourne librement. Montez la hauteur de coupe des roues à la position la plus élevée et démarrez la tondeuse. Vérifiez si le logement des piles est libre de débris et bien connecté. Est-ce que les blocs-piles sont entièrement chargés? Appuyez sur le bouton de l'état de chargement. Évitez de surcharger la tondeuse. Ralentissez le rythme de la coupe ou augmentez la hauteur de la coupe.
La tondeuse fonctionne, mais la performance de la coupe n'est pas satisfaisante ou elle ne coupe pas tout le gazon	Est-ce que les blocs-piles sont entièrement chargés? Appuyez sur le bouton de l'état de chargement. Relâchez l'anse pour éteindre la tondeuse. Retirez la clé de sûreté et les blocs-piles. Retournez la tondeuse et vérifiez : <ul style="list-style-type: none"> • L'aiguisage de la lame. Gardez la lame aiguisée. • Le châssis et le conduit d'éjection pour toute obstruction. L'ajustement de la hauteur des roues peut être réglé trop bas pour l'état du gazon. Montez la hauteur de la coupe.
La tondeuse est trop difficile à pousser	Relâchez l'anse pour éteindre la tondeuse. Retirez la clé de sûreté et les blocs-piles. Montez la hauteur de la coupe afin de réduire la résistance du châssis sur le gazon. Vérifiez chaque roue pour voir si elle tourne librement.
La tondeuse est anormalement bruyante et vibre	Relâchez l'anse pour éteindre la tondeuse. Retirez la clé de sûreté et les blocs-piles. Tournez la tondeuse sur le côté et vérifiez la lame afin d'assurer qu'elle n'est pas pliée ou endommagée. Si la lame est endommagée, remplacez-la par une lame de remplacement CRAFTSMAN. Si le dessous du châssis est endommagé, retournez la tondeuse dans un centre de services autorisé CRAFTSMAN. S'il n'y a pas de dommage visible sur la lame et que la tondeuse vibre encore : Relâchez l'anse pour éteindre la tondeuse. Retirez la clé de sûreté et les blocs-piles. Désassemblez tout l'assemblage de la lame comme illustré dans la section Retirer et installer la lame . Retirez tout débris et nettoyez chaque pièce. Remplacez chaque pièce comme illustré dans la section Retirer et installer la lame . Si la tondeuse vibre encore, retournez-la dans un centre de services autorisé CRAFTSMAN.
La tondeuse ne ramasse pas le gazon coupé avec le sac	Conduit d'éjection obstrué. Relâchez l'anse pour éteindre la tondeuse. Retirez la clé de sûreté et les blocs-piles. Dégagez le conduit de tout gazon coupé. Montez la hauteur de coupe des roues à la longueur la plus courte de la coupe. Sac plein. Videz le sac plus souvent.

Definiciones: Símbolos y Palabras de Alerta de Seguridad

Este manual de instrucciones utiliza los siguientes símbolos y palabras de alerta de seguridad para alertarle de situaciones peligrosas y del riesgo de lesiones corporales o daños materiales.

! **PELIGRO:** Indica una situación de peligro inminente que, si no se evita, provocará **la muerte o lesiones graves**.

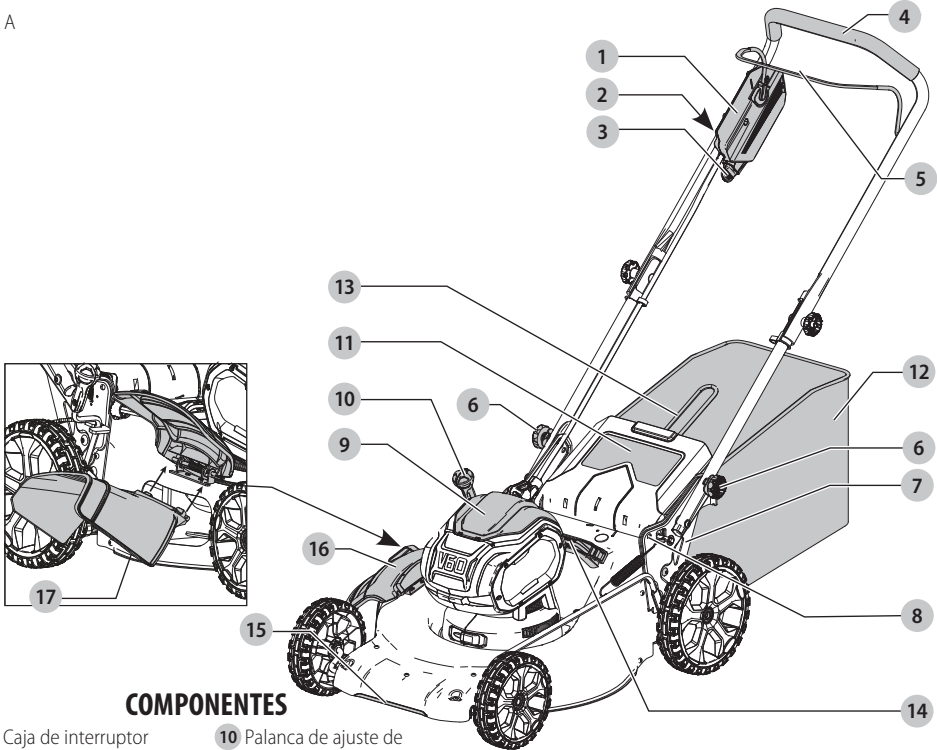
! **ADVERTENCIA:** Indica una situación de peligro potencial que, si no se evita, **podría provocar la muerte o lesiones graves**.

! **ATENCIÓN:** Indica una situación de peligro potencial que, si no se evita, **posiblemente provocaría lesiones leves o moderadas**.

! (Utilizado sin palabras) indica un mensaje de seguridad relacionado.

AVISO: Se refiere a una práctica **no relacionada a lesiones corporales** que de no evitarse **puede resultar en daños a la propiedad**.

Fig. A



COMPONENTES

- | | |
|--|---|
| 1 Caja de interruptor ON-OFF (ENCENDIDO-APAGADO) | 10 Palanca de ajuste de altura de corte |
| 2 Botón de ENCENDIDO-APAGADO | 11 Cubierta de puerta trasera |
| 3 Llave de seguridad | 12 Bolsa de recolección de césped |
| 4 Manija | 13 Manija de bolsa de recolección de césped |
| 5 Manija de travesaño | 14 Manija de transporte superior |
| 6 Seguros de manija | 15 Manija de transporte inferior |
| 7 Soportes de manija | 16 Aleta lateral |
| 8 Orificios de tope de almacenamiento de manija | 17 Aditamento de descarga lateral |
| 9 Cubierta de puerto de batería | |

! **ADVERTENCIA:** Lea todas las advertencias de seguridad e instrucciones. El incumplimiento de las advertencias e instrucciones puede provocar descargas eléctricas, incendios o lesiones graves.

! **ADVERTENCIA:** Nunca modifique la herramienta eléctrica, ni tampoco ninguna de sus piezas. Podría producir lesiones corporales o daños.

! **ADVERTENCIA:** Para reducir el riesgo de lesiones, lea el manual de instrucciones.

Si tiene alguna duda o algún comentario sobre ésta u otra herramienta CRAFTSMAN llámenos al número gratuito:

Podadora V60 CMCMW260

ADVERTENCIAS E INSTRUCCIONES DE SEGURIDAD IMPORTANTES



ADVERTENCIA: Para reducir el riesgo de lesiones:

- Antes de cualquier uso, asegúrese que cualquiera que use esta herramienta lea y entienda todas las instrucciones de seguridad y otra información contenida en este manual.
- Conserve estas instrucciones y revíselas con frecuencia antes del uso y al instruir a otros.



ADVERTENCIA: Cuando use podadoras eléctricas, siempre se deben seguir las precauciones de seguridad básica para reducir el riesgo de incendio, descarga eléctrica, y lesiones personales, incluyendo las siguientes.

LEA TODAS LAS INSTRUCCIONES

ADVERTENCIAS GENERALES DE SEGURIDAD E INSTRUCCIONES PARA TODAS LAS HERRAMIENTAS

- **Esta herramienta puede ser peligrosa.** Siga todas las advertencias e instrucciones de seguridad de este manual. El operador es responsable de seguir las advertencias e instrucciones en este manual y en la unidad. Restrinja el uso de esta podadora a las personas que lean, entiendan y sigan las advertencias e instrucciones de este manual y de la unidad.
- **Evite ambientes peligrosos** – no use podadoras en ubicaciones mojadas o húmedas.
- **No use en lluvia.**
- **Mantenga a los niños alejados** – Todos los visitantes deben mantener una distancia segura del área de trabajo.
- **Use vestimenta apropiada** – No use ropa holgada o joyería. Pueden quedar atrapados en las partes móviles. Se recomienda el uso de guantes de hule y calzado cuando trabaje en exteriores.
- **Use gafas de seguridad** – También use una careta o máscara de polvo si la operación produce polvo.
- **Utilice el aparato correcto** – No utilice la podadora para ningún trabajo excepto para el que está diseñada.
- **Revise respecto a partes dañadas.** Antes de utilizar la podadora, se debe revisar cuidadosamente un protector u otra parte que esté dañada para determinar si funcionará correctamente y cumplirá su función. Revise la alineación de las partes móviles, la unión de las partes móviles, la ruptura de partes, el montaje y cualquier otra condición que pueda afectar su operación. Una protección u otra parte que esté dañada se debe reparar o reemplazar apropiadamente por un centro de servicio autorizado, a menos que se indique lo contrario en otra parte de este manual.
- **Reparaciones y servicio.** Las reparaciones, el mantenimiento y los ajustes no especificados en este manual deben ser realizados por los centros de servicio autorizados u otras organizaciones de servicio calificadas, siempre utilizando partes de repuesto idénticas.
- **No fuerce la podadora** – Hará el trabajo mejor y con más seguridad en la velocidad para la que está diseñada.
- **No se estire en exceso** – Mantenga la pisada y equilibrio adecuados en todo momento.
- **Permanezca alerta** – Observe lo que está haciendo. Utilice el sentido común. No opere la podadora de césped cuando esté cansado.
- **Desconecte la podadora** – Retire la llave de seguridad y el paquete de batería de la podadora cuando no esté en uso, antes de realizar el mantenimiento, al cambiar accesorios tales como cuchillas, y similares.
- **Guarde la podadora sin uso en interiores** – Cuando no se usan, los aparatos deben almacenarse en un lugar seco y cerrado, fuera del alcance de los niños. Retire la llave de seguridad y el paquete de batería.
- **Mantenga la podadora con cuidado** – Mantenga los bordes de corte afilados y limpios para un mejor desempeño y más seguro. Siga las instrucciones para lubricar y cambiar los accesorios. Revise el cable de la podadora periódicamente y, si está dañado, pida que lo reparen en instalaciones de servicio autorizadas. Mantenga las manijas secas, limpias y libres de aceite y grasa.
- **Mantenga las protecciones en su lugar y en buen estado de operación.**
- **Mantenga las cuchillas afiladas.**
- **Mantenga las manos y los pies lejos del área de corte.**
- **Los objetos golpeados por la cuchilla de la podadora pueden causar lesiones graves a las personas.** El césped siempre debe revisarse cuidadosamente y despejarse de todos los objetos antes de cada corte.
- **Si la podadora golpea un objeto extraño, siga estos pasos:**
 1. Detenga la podadora. Libere la manija de travesaño.
 2. Retire el paquete de batería y la llave de seguridad.
 3. Revise respecto a daño.
 4. Repare cualquier daño antes de reiniciar y operar la podadora.
- **Use cuchillas de repuesto idénticas solamente.**

GUARDE ESTAS INSTRUCCIONES

Importante

Prácticas Seguras para Podadoras Controladas por Peatones

Esta máquina es capaz de amputar manos y pies y arrojar objetos. La falla en observar las siguientes instrucciones de seguridad puede provocar lesiones graves o la muerte.

Información General

1. Lea, comprenda y siga las instrucciones y advertencias de este manual y de la máquina, el motor y los accesorios.
2. Sólo permita operadores, responsables, entrenados, familiarizados con las instrucciones y físicamente capaces de operar la máquina.
3. No opere la máquina bajo la influencia de alcohol o drogas.

Preparación Antes de Operación

1. Despeje el área de operación de cualquier objeto que pueda ser arrojado o interferir con la operación de la máquina.
2. Mantenga el área de operación libre de transeúntes, particularmente niños pequeños. Detenga la máquina y los accesorios si alguien entra al área.
3. No opere la máquina sin el recolector de césped completo, el conducto de descarga u otros dispositivos de seguridad en su lugar y funcionando correctamente. Verifique frecuentemente si hay señales de desgaste o deterioro y reemplace según sea necesario.
4. Use el equipo de protección personal adecuado, como gafas de seguridad, protección auditiva y calzado.

Operación

1. Sólo use la máquina durante el día o con buena iluminación artificial.
2. Evite agujeros, surcos, baches, rocas u otros peligros ocultos. Un terreno irregular podría volcar la máquina o hacer que el operador pierda el equilibrio o la posición de los pies.
3. No coloque las manos o los pies cerca de partes giratorias o debajo de la máquina. Manténgase alejado de la abertura de descarga en todo momento.
4. Nunca descargue el material directamente hacia nadie. Evite descargar material contra una pared u obstrucción. El material puede rebotar hacia el operador. Detenga las cuchillas al cruzar superficies de grava.

Específico para Niños

1. Pueden ocurrir accidentes trágicos si el operador no está alerta a la presencia de niños. Los niños a menudo se sienten atraídos por la máquina y la actividad de poda. Nunca asuma que los niños permanecerán donde los vio por última vez.
2. Mantenga a los niños fuera del área de operación y bajo la atenta supervisión de un adulto responsable que no sea el operador.

Específico para Pendientes

1. Las pendientes son un factor importante relacionado con los accidentes. La operación en pendientes requiere precaución adicional.
2. Viaje en la dirección recomendada por el fabricante en las pendientes. Tenga cuidado al operar cerca de las bajadas.
3. Evite cortar el césped mojado. (Un equilibrio descuidado podría causar un accidente de resbalón y caída.)
4. No opere la máquina bajo ninguna condición donde la tracción, la dirección o la estabilidad estén en duda. La podadora podría deslizarse incluso si las ruedas están detenidas.
5. Evite comenzar y detenerse en pendientes. Evite hacer cambios repentinos en la velocidad o dirección. Haga giros lenta y gradualmente.
6. Tenga mucho cuidado al operar la máquina con un recolector de césped u otros accesorios. Pueden afectar la estabilidad de la máquina.

Servicio

1. Mantenga la máquina en buen estado de operación. Reemplace las partes desgastadas o dañadas.
2. Tenga cuidado al reparar las cuchillas. Envuelva las cuchillas o use guantes. Reemplace las cuchillas dañadas. No repare ni altere las cuchillas.

Las siguientes son explicaciones de ilustraciones de peligros de seguridad importantes en la podadora.



El usuario debe leer y comprender el manual de instrucciones.



Para evitar el riesgo de lesiones graves, no corte de arriba a abajo las pendientes. Siempre corte a través de las pendientes.



Para evitar el riesgo de lesiones a los transeúntes, mantenga a todas las personas y mascotas a una distancia segura de la podadora mientras esté en funcionamiento.



Las cuchillas giratorias pueden causar lesiones serias. Mantenga las manos y los pies alejados de la plataforma de poda y la abertura de descarga en todo momento. Siempre suelte la manija de travesaño para apagar la podadora y espere a que la hoja deje de girar (aproximadamente 3 segundos) y retire el paquete de batería y la llave de seguridad antes de retirar y reemplazar el recolector de césped, limpiar, dar servicio, transportar o levantar la podadora.



Los objetos golpeados por la cuchilla de la podadora pueden causar lesiones graves. Manténgase detrás de la manija cuando el motor esté funcionando. Siempre asegúrese que las personas y las mascotas estén lejos de la descarga de la podadora durante el funcionamiento. Siempre revise el área de siega antes de cortar y quite los objetos que puedan ser arrojados por la cuchilla. Suelte la manija de travesaño para apagar la podadora y espere a que la hoja deje de girar (aproximadamente 3 segundos) antes de cruzar aceras, caminos, patio y caminos de grava.

- terminal de conexión a tierra
- símbolo de advertencia de seguridad
- radiación visible
- protección respiratoria
- protección ocular
- protección auditiva
- lea toda la documentación

Instrucción Adicional de Seguridad

⚠️ ADVERTENCIA: Use **SIEMPRE** lentes de seguridad. Los anteojos de diario **NO SON** lentes de seguridad. Utilice además una cubrebocas o mascarilla antipolvo si la operación de corte genera demasiado polvo. SIEMPRE LLEVE EQUIPO DE SEGURIDAD CERTIFICADO:

- protección ocular ANSI Z87.1 (CAN/CSA Z94.3),
- protección auditiva ANSI S12.6 (S3.19),
- protección respiratoria NIOSH/OSHA/MSHA.

⚠️ ADVERTENCIA: Parte del polvo generado por este producto contiene productos químicos reconocidos por el Estado de California como causantes de cáncer, defectos de nacimiento u otros problemas reproductivos. Algunos ejemplos de estos productos químicos son:

- compuestos en fertilizantes
- compuestos en insecticidas, herbicidas y pesticidas
- arsénico y cromo de madera con tratamiento químico

Para reducir su exposición a estos productos químicos, use equipo de seguridad aprobado, como máscaras para polvo que están diseñadas especialmente para filtrar las partículas microscópicas.

La etiqueta de su herramienta puede incluir los siguientes símbolos. A continuación se indican los símbolos y sus definiciones:

V voltios	SPM pasadas por minuto
Hz hertz	OPM oscilaciones por minuto
min minutos	A amperios
— — — or DC direct current	W vatios
..... Construcción de Clase I (tierra)	~ or AC corriente alterna
... /min por minuto	⎓ or AC/DC corriente alterna o directa
BPM golpes por minuto Construcción de Clase II (doble aislamiento)
IPM impactos por minuto	n ₀ velocidad sin carga
RPM revoluciones por minuto	IPXX símbolo IP
sfpn pies de superficie por minuto	n velocidad nominal

BATERÍAS Y CARGADORES

La batería no viene completamente cargada de fábrica. Antes de utilizar la batería y el cargador, lea las siguientes instrucciones de seguridad y luego siga los procedimientos de carga indicados. Cuando pida baterías de repuesto, no olvide indicar el número de catálogo y el voltaje.

LEA TODAS LAS INSTRUCCIONES

Instrucciones de Seguridad Importantes Para Todas las Unidades de Batería

⚠️ ADVERTENCIA: Lea todas las advertencias de seguridad, instrucciones y marcas de precaución para el paquete de la batería, el cargador y el producto. No seguir las advertencias y las instrucciones puede provocar una descarga eléctrica, un incendio y/o lesiones graves.

- **No cargue o use la unidad de batería en atmósferas explosivas, como en presencia de líquidos, gases o polvos inflamables.** Puede que al insertar o sacar la unidad de batería del cargador se inflamen el polvo o los gases.
 - **Cuando el paquete de batería no esté en uso, manténgalo alejado de otros objetos metálicos, como sujetadores de papel, monedas, llaves, clavos, tornillos, u otros objetos pequeños de metal que puedan hacer una conexión de una terminal a otra.** Conectar en corto circuito las terminales de la batería puede causar quemaduras o un incendio.
 - **NUNCA fuerce la unidad de batería para que entre en el cargador. NO modifique la unidad de batería en ninguna forma para que entre en un cargador no compatible, pues puede producir una ruptura en la unidad de batería y causar lesiones corporales graves.** Consulte la tabla al final de este manual para ver la compatibilidad entre baterías y cargadores.
 - **Cargue las unidades de batería sólo en los cargadores designados por CRAFTSMAN.**
 - **NO salpique con ni sumerja en agua u otros líquidos.**
 - **No guarde ni use la herramienta y unidad de batería en lugares donde la temperatura pueda alcanzar o superar los 40 °C (104 °F), tales como cobertizos o construcciones de metal durante el verano.** Almacene las unidades de batería en lugares frescos y secos para maximizar su vida útil.
- NOTA:** No almacene las unidades de batería en la herramienta con el interruptor de gatillo en posición encendida fija. Nunca use cinta adhesiva

para mantener el interruptor de gatillo en posición ENCENDIDA.

- **No incinere la unidad de batería, aunque esté completamente dañada o descargada. La unidad de batería puede explotar si se quema.** Cuando se queman unidades de batería de iones de litio, se producen gases y materiales tóxicos.
- **Si el contenido de la batería entra en contacto con la piel, lave el área de inmediato con agua y un jabón suave.** Si el líquido de la batería entra en contacto con sus ojos, enjuáguelos con agua y los ojos abiertos por 15 minutos o hasta que cese la irritación. Si se requiere de asistencia médica, el electrolito de la batería está compuesto por una mezcla de carbonatos orgánicos líquidos y sales de litio.
- **El contenido de los elementos abiertos de la batería puede causar irritación en el tracto respiratorio.** Salga al aire fresco. Si los síntomas persisten, busque asistencia médica.



ADVERTENCIA: Peligro de quemaduras. El líquido de la batería puede ser inflamable si se expone a chispas o llamas.



ADVERTENCIA: Peligro de incendio. Nunca intente abrir la unidad de batería por ningún motivo. Si la caja exterior de la unidad de batería se triza o daña, no la introduzca en el cargador. No triture, deje caer o dañe la unidad de batería. No use una unidad de batería o un cargador que haya sido golpeado, dejado caer, atropellado o dañado en cualquier forma (por ejemplo, perforado por un clavo, golpeado con un martillo, pisado). Lleve sus unidades de batería dañadas al centro de servicio para que sean recicladas.

Recomendaciones de Almacenamiento

1. El mejor lugar de almacenamiento es uno que sea fresco y seco, lejos de la luz solar directa y del exceso de calor o frío.
2. Para resultados óptimos durante tiempos prolongados de almacenamiento, se recomienda almacenar la unidad de batería completamente cargada en un lugar fresco y seco fuera del cargador.

NOTA: Las unidades de batería no deberían almacenarse completamente descargadas. La unidad de batería deberá recargarse antes de ser usada.

Instrucciones de Limpieza de la Batería

Para limpiar la suciedad y grasa del exterior del cargador puede usarse un paño o cepillo suave no metálico. No use agua ni soluciones limpiadoras.

El sello RBRC®

El sello RBRC® (Rechargeable Battery Recycling Corporation) en las baterías (unidades de batería) de níquel cadmio, níquel e hidruro metálico o de iones de litio indica que el costo de reciclaje de estas baterías (o unidades de batería) al llegar al final de su vida de servicio ya ha sido pagado por



CRAFTSMAN. En algunas áreas, es ilegal depositar baterías de níquel cadmio, níquel e hidruro metálico o de iones de litio gastadas en la basura o la corriente de residuos sólidos urbanos; el programa Call 2 Recycle® proporciona una alternativa ecológica.

Call 2 Recycle, Inc., en cooperación con CRAFTSMAN y otros usuarios de baterías, han establecido programas en los Estados Unidos y Canadá para facilitar la recolección de baterías de níquel cadmio, níquel e hidruro metálico o de iones de litio gastadas. Al llevar sus baterías de níquel cadmio, níquel e hidruro metálico y de iones de litio gastadas a un centro de servicio autorizado por CRAFTSMAN o al minorista local para que sean recicladas, ayuda a proteger el medio ambiente y a conservar recursos naturales. También puede comunicarse con el centro de reciclaje de su localidad para mayor información sobre dónde llevar sus baterías gastadas.

RBRC® es una marca comercial registrada de Call 2 Recycle, Inc.

Transporte



ADVERTENCIA: Peligro de incendio. No guarde o transporte la batería de forma que los terminales expuestos de la misma puedan estar en contacto con objetos metálicos. Por ejemplo, no ponga la batería en delantales, bolsillos, cajas de herramientas, estuches de productos, cajones, etc., junto con clavos, tornillos, y llaves, etc. sueltos. **El transporte de baterías puede causar incendios si sus terminales inadvertidamente entran en contacto con materiales conductores como llaves, monedas, herramientas manuales y otros por el estilo.** El Reglamento sobre Materiales Peligrosos (HMR) del Departamento de Transporte de EE.UU. prohíbe transportar baterías comercialmente o en aviones en el equipaje de mano A MENOS que estén debidamente protegidas contra cortocircuitos. Por lo tanto, cuando transporte baterías individuales, asegúrese de que sus terminales estén protegidos y debidamente aislados de los materiales que pudieran entrar en contacto con ellos y provocar un cortocircuito. **NOTA:** Las baterías de iones de Li-ion no deben colocarse dentro del equipaje registrado.

Instrucciones Importantes de Seguridad Para Todos los Cargadores de Baterías



ADVERTENCIA: Lea todas las advertencias de seguridad, instrucciones y marcas de precaución para el paquete de la batería, el cargador y el producto. No seguir las advertencias y las instrucciones puede provocar una descarga eléctrica, un incendio y/o lesiones graves.

- **NO intente cargar el paquete de batería con ningún cargador diferente a un cargador CRAFTSMAN.** El cargador y el paquete de batería CRAFTSMAN están diseñados específicamente para funcionar juntos.
- **Estos cargadores no fueron diseñados para ser utilizados para más que cargar las baterías recargables CRAFTSMAN.** Cualquier otro uso puede

producir riesgo de incendios, descargas eléctricas o electrocución.

- **No exponga el cargador a la lluvia o a la nieve.**
- **Tire del enchufe y no del cable cuando desconecte el cargador.** De esta forma se reduce el riesgo de daño al enchufe y cable.
- **Asegúrese de que el cable no sea ubicado de manera que podría ser pisado, causar que alguien tropiece con él o ser expuesto a otro tipo de daños y desgastes.**
- **No use un alargador a menos que sea absolutamente necesario.** El uso de un alargador incorrecto podría producir riesgo de incendios, descargas eléctricas o electrocución.
- **Cuando opere un cargador al exterior, hágalo siempre en un lugar seco y use un alargador apropiado para uso al exterior.** El uso de un alargador apropiado para uso al exterior reduce el riesgo de descarga eléctrica.
- **Los hilos del alargador deben ser de un calibre apropiado (AWG o American Wire Gauge) para su seguridad.** Mientras menor sea el calibre del hilo, mayor la capacidad del cable. Es decir, un hilo calibre 16 tiene mayor capacidad que uno de 18. Un cable de un calibre insuficiente causará una caída en la tensión de la línea dando por resultado una pérdida de energía y sobrecalentamiento. Cuando se utilice más de un alargador para completar el largo total, asegúrese que los hilos de cada alargador tengan el calibre mínimo. La tabla siguiente muestra el tamaño correcto a utilizar, dependiendo de la longitud del cable y del amperaje nominal de la placa de identificación. Si tiene dudas sobre cuál calibre usar, use un calibre mayor. Cuanto menor sea el número del calibre, más resistente será el cable.

Calibre mínimo de conjuntos de cables

Voltios	Longitud total del cable en pies (metros)				
	120 V	25 (7,6)	50 (15,2)	100 (30,5)	150 (45,7)
240 V	50 (15,2)	100 (30,5)	200 (61,0)	300 (91,4)	
Amperaje nominal	AWG				
0	6	18	16	16	14
6	10	18	16	14	12
10	12	16	16	14	12
12	16	14	12	No recomendado	

- **No coloque ningún objeto encima del cargador ni coloque a este sobre una superficie blanda que pudiera bloquear las ranuras de ventilación y resultar en un calor interno excesivo.** Coloque el cargador en un lugar alejado de cualquier fuente de calor. El cargador se ventila a través de las ranuras que se encuentran en la parte superior e inferior de la caja protectora.
- **No opere el cargador si su cable o enchufe están dañados—reemplácelos de inmediato.**

- **No opere el cargador si ha recibido un golpe agudo, si se ha caído o si ha sido dañado de alguna otra forma.** Llévelo a un centro de servicio autorizado.
- **No desarme el cargador; llévelo a un centro de servicio autorizado cuando deba ser reparado.** Si es reensamblado incorrectamente, puede causar descargas eléctricas, electrocución o incendios.
- **Desenchufe el cargador antes de intentar limpiarlo.** Esto reducirá el riesgo de descargas eléctricas. El retirar el paquete de baterías no reducirá este riesgo.
- **NUNCA** intente conectar 2 cargadores entre sí.
- **El cargador está diseñado para operar con una corriente eléctrica estándar residencial de 120 V. No intente usarlo con ningún otro voltaje.** Esto no aplica al cargador vehicular.



ADVERTENCIA: Peligro de descarga eléctrica. No permita que ningún líquido se introduzca en el cargador. Puede producir descargas eléctricas.



ADVERTENCIA: Peligro de quemaduras. No sumerja la unidad de batería en líquido de ningún tipo ni permita que se introduzca ningún tipo de líquido a la unidad de batería. Nunca intente abrir la unidad de batería por ningún motivo. Si la caja plástica de la unidad de batería se triza o rompe, llévela a un centro de servicio para su reciclaje.



ATENCIÓN: Peligro de quemaduras. Para reducir el riesgo de lesiones, sólo cargue unidades de batería recargables CRAFTSMAN marca. Otros tipos de batería podrían sobrecalentarse y reventar lo que podría resultar en lesiones corporales y daños a su propiedad.



ATENCIÓN: Bajo ciertas condiciones, cuando el cargador está enchufado a una toma de corriente, el cargador puede hacer cortocircuito si entra en contacto con algún material ajeno. Los materiales ajenos de naturaleza conductora, como el polvo de esmerilado, las placas de metal, la lana de acero, el papel de aluminio y otros, o cualquier acumulación de partículas metálicas deberán mantenerse alejados de las cavidades del cargador. Desenchufe siempre el cargador cuando no haya una unidad de batería en su cavidad. Desenchufe el cargador antes de intentar limpiarlo.







Carga de la Batería

NOTA: Para garantizar el máximo desempeño y la vida útil de los paquetes de baterías de iones de litio, cargue la batería por completo antes del primer uso.

1. Conecte el cargador en un tomacorriente apropiado antes de insertar el paquete de batería.
2. Conecte el cargador y el paquete de baterías, asegurándose que la batería esté completamente asentada. La luz (carga) parpadeará continuamente indicando que el proceso de carga ha comenzado.
3. La terminación de la carga se indicará por la luz que permanece encendida continuamente. El paquete de

batería está completamente cargado y se puede retirar y usar en este momento o dejarse en el cargador.

NOTA: Para retirar el paquete de la batería, algunos cargadores requieren que se presione el botón de liberación del paquete de batería.

Indicadors	
	Unidad en Proceso de Carga 
	Unidad Cargada 
	Retraso por Unidad Caliente/ Fría 

Un cargador no cargará una batería defectuosa. El cargador que se niega a encenderse podría indicar un problema con el cargador.

NOTA: Si el cargador no quiere encender, lleve el cargador y el paquete de batería para que los prueben en un centro de servicio autorizado.

Retraso por Batería Caliente/Fría

Cuando el cargador detecta que una batería está demasiado caliente o demasiado fría, inicia automáticamente un Retraso por batería caliente/fría y suspende la carga hasta que la batería alcanza una temperatura adecuada. En ese momento, el cargador inicia automáticamente el modo de carga de la batería. Esta función garantiza la máxima duración de la batería.

Una batería fría puede cargar más lentamente que una batería caliente.

Notas Importantes Sobre la Carga

- Se puede obtener una mayor duración y un mejor rendimiento si la unidad de batería se carga a una temperatura ambiente de 18°C–24°C (65°F–75°F). NO cargue cuando el paquete de batería esté debajo de +4,5°C (+40°F), o arriba de +40°C (+104°F). Esto es importante y evitará causar daños graves a la batería.
- Puede que el cargador y la unidad de batería se calienten ligeramente durante el proceso de carga. Esto es normal y no representa ningún problema. Para facilitar el enfriamiento de la unidad de batería después del uso, evite colocar el cargador o la unidad de batería en un lugar cálido, como un cobertizo metálico o un remolque sin aislamiento térmico.
- Si la unidad de batería no se carga correctamente:
 - Verifique el funcionamiento de la toma enchufando una lámpara u otro aparato;
 - Revise que la toma de corriente no esté conectada a un interruptor de luz que corte la corriente cuando se corte la luz;
 - Mueva el cargador y la unidad de batería a un lugar donde la temperatura ambiental sea aproximadamente 18°C–24°C (65°F–75°F);
 - Si el problema de carga continúa, lleve la herramienta, unidad de batería y el cargador a su centro de servicio local.
- La unidad de batería debería ser recargada cuando no sea capaz de producir suficiente potencia para

trabajos que eran fácilmente realizados antes. NO CONTINÚE usándola bajo estas circunstancias. Siga el procedimiento de carga. También puede cargar una unidad de batería que haya sido usada parcialmente cuando lo desee, sin dañarla.

- Los materiales ajenos conductores por naturaleza, tales como, pero sin limitarse a, el polvo del esmerilado, las virutas metálicas, la lana de acero, el papel de aluminio o cualquier acumulación de partículas metálicas deberían mantenerse alejados de las cavidades del cargador. Desenchufe siempre el cargador de la toma de corriente cuando no haya una unidad de batería en su cavidad. Desenchufe el cargador antes de intentar limpiarlo.
- No congele ni sumerja el cargador en agua o cualquier otro líquido.

Instrucciones de Limpieza del Cargador



ADVERTENCIA: Riesgo de descarga eléctrica.

Desconecte el cargador del tomacorriente de CA antes de limpiarlo. Para limpiar la suciedad y grasa del exterior del cargador puede usarse un paño o cepillo suave no metálico. No use agua ni soluciones limpiadoras.

GUARDE ESTAS INSTRUCCIONES PARA VOLVER A CONSULTAR EN EL FUTURO

COMPONENTES (FIG. A)

Uso Debido

Esta podadora está diseñada para uso residencial.

NO utilice la herramienta en condiciones de humedad o en presencia de líquidos o gases inflamables.

NO permita que los niños toquen la herramienta. Si el operador no tiene experiencia operando esta herramienta, su uso deberá ser supervisado.

MONTAJE Y AJUSTES



PELIGRO: Para reducir el riesgo de lesiones personales serias, apague la unidad, retire la llave de seguridad y retire el paquete de batería antes del ensamble, realizar cualquier ajuste o retirar/instalar conexiones o accesorios. Un arranque accidental puede causar lesiones.

Ajuste de la Altura de la Manija (Fig. B)

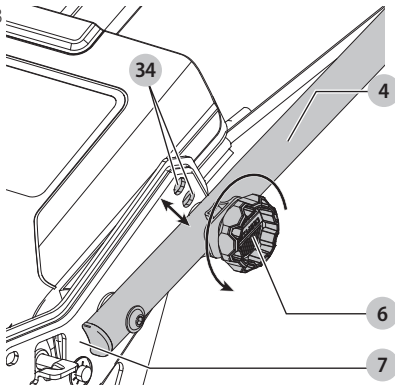
La podadora se envía en modo de almacenamiento.

Deberá ajustar la manija a la posición de operación antes de continuar.

- Para desbloquear la manija **4** de la posición de almacenamiento, gire los dos seguros de la manija **6** 90°. Los seguros de la manija están ubicados en ambos lados de la manija, como se muestra en la Fig. B.
- Levante la manija a la posición de operación.
- Ubique los tres orificios de retención de la manija **16** ubicados en los soportes de la manija **7** como se muestra en la Fig. B.
- Ajuste la manija a la posición que mejor se adapte al operador y asegure la manija en su lugar enroscando los

seguros de la manija hacia atrás 90° y permitiendo que los seguros de la manija 6 se conecten en los orificios de retención deseados

Fig. B

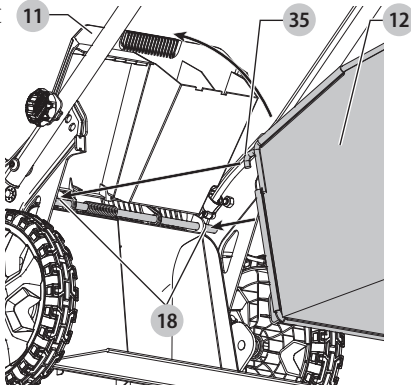


Bolsa de Recolección de Césped (Fig. C)

⚠ PELIGRO: Retire la llave de seguridad y el paquete de batería antes de abrir la tapa de la puerta trasera e instalar la bolsa.

1. Levante la cubierta de la puerta trasera 11 y coloque la bolsa de recolección de césped 12 en la podadora de forma que los ganchos de la bolsa 35 se apoyen sobre las orejas 18 como se muestra en la Fig. C. Después baje la cubierta de la puerta trasera.

Fig. C



Descarga Lateral (Fig. A)

⚠ PELIGRO: Retire la llave de seguridad y el paquete de batería antes de retirar la bolsa de recolección.

1. Para operar la podadora en el modo de descarga lateral, retire la bolsa de recolección de césped.
2. Asegúrese que la cubierta de la puerta trasera 11 esté abajo para la descarga lateral.
3. Levante la aleta lateral 16 y enganche el aditamento de descarga lateral 17 en la cortadora de césped.
4. Suelte la aleta lateral y asegúrese de que el aditamento se mantenga en su lugar antes de encender la cortadora de césped.

NOTA: La cubierta de la puerta trasera está configurada de tal manera que la abertura (en la parte inferior) no se puede cerrar por completo.

OPERACIÓN

⚠ PELIGRO: Para reducir el riesgo de lesiones personales serias, apague la unidad, retire la llave de seguridad y retire el paquete de batería antes del ensamble, realizar cualquier ajuste o retirar/instalar conexiones o accesorios. Un arranque accidental puede causar lesiones.

Instalación y Desinstalación de Paquete de Batería (Fig. A, D)

⚠ PELIGRO: ASEGÚRESE QUE LA LLAVE DE SEGURIDAD SE EXTRAIGA PARA IMPEDIR LA ACTIVACIÓN ANTES DE RETIRAR O INSTALAR LA BATERÍA.

NOTA: Para mejores resultados, asegúrese que el paquete de batería esté completamente cargado.

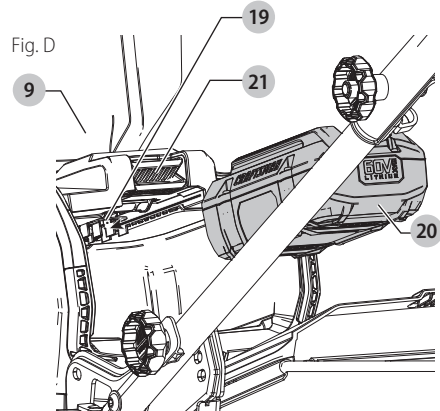
Para Instalar el Paquete de Batería

1. Levante y sostenga la tapa del puerto de la batería 9 hacia arriba para exponer los puertos de la batería 19.
2. Deslice el paquete de batería 20 en el puerto de la batería hasta que escuche un clic audible (Fig. D). Asegúrese que el paquete de batería esté completamente asentado y completamente asegurado en su posición.
3. Cierre la tapa del puerto de la batería. Asegúrese que la tapa esté completamente cerrada antes de encender la podadora.

Para Retirar el Paquete de Batería

1. Abra la tapa del puerto de la batería 9 como se describe anteriormente.
2. Presione el botón de liberación de la batería 21 en la podadora y retire la batería 20 de la herramienta.

Fig. D



LEA ESTE MANUAL DE INSTRUCCIONES ANTES DE OPERAR SU PODADORA

Consulte la Figura A al inicio de este manual respecto a una lista completa de componentes. Conserve este manual para referencia futura.

PELIGRO: Cuchilla móvil filosa. No opere la podadora en modo de cobertura si la puerta trasera y la puerta de descarga lateral no están cerradas bajo la tensión del resorte, ya que podría ocasionar lesiones graves. Lleve su podadora al centro de servicio más cercano para repararla.

PELIGRO: No opere la podadora a menos que la manija esté bloqueada en su posición.

PELIGRO: Cuchilla móvil filosa. Nunca opere la podadora en el modo de embolsado a menos que los ganchos de la bolsa en el recogedor de césped estén asentados correctamente en la podadora y la puerta de descarga trasera descansa firmemente contra la parte superior del recogedor de césped, ya que podría ocasionar lesiones graves.

ADVERTENCIA: Deje que la podadora funcione a su propio ritmo. No sobrecargue.

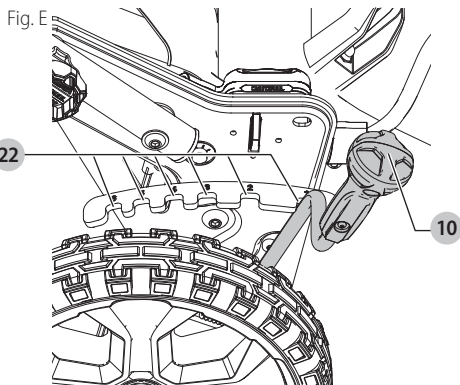
Ajuste de Altura de la Podadora (Fig. E)

La altura de corte se ajusta mediante la palanca de ajuste de altura de corte.

NOTA: Si no está seguro de qué altura cortar, comience a cortar con la palanca de ajuste de altura de corte **10** colocada hacia la parte posterior del aparato y ajuste la altura según sea necesario, como se muestra en la Fig. E.

Para Ajustar la Altura del Corte

1. Jale la palanca de ajuste de altura de corte **10** fuera de la muesca de bloqueo **22**.
2. Mueva la palanca hacia la parte posterior del aparato para elevar la altura de corte.
3. Mueva la palanca hacia la parte delantera del aparato para bajar la altura de corte.
4. Empuje la palanca de ajuste de altura hacia una de las muescas de bloqueo.

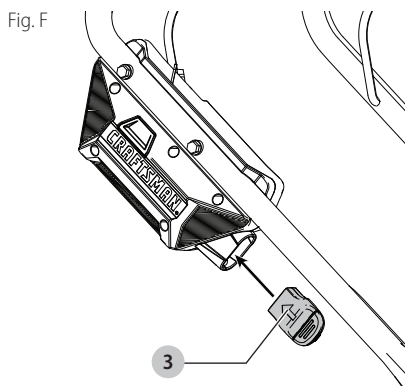


Llave de Seguridad (Fig. F)

PELIGRO: Cuchilla móvil filosa. Para evitar un arranque accidental o el uso no autorizado de su podadora sin cable, se ha incorporado una llave de seguridad extraíble **3** en el diseño de su podadora. La podadora estará completamente deshabilitada cuando la llave de seguridad se retire de la podadora.

NOTA: La llave de seguridad tiene una cuerda de anclaje para permitir el almacenamiento en un clavo, fuera del alcance de los niños. No ate la llave de seguridad a la podadora.

PELIGRO: Las cuchillas giratorias pueden causar lesiones serias. Para evitar lesiones graves, retire la llave de seguridad y el paquete de batería cuando estén desatendidos, o cuando cargue, limpie, dé servicio, transporte, levante o guarde la podadora.



Arranque de Podadora (Fig. G)

PELIGRO: Cuchilla móvil filosa. Nunca intente anular la operación de esta caja de interruptores y sistema de llave de seguridad, ya que podría ocasionar lesiones graves.

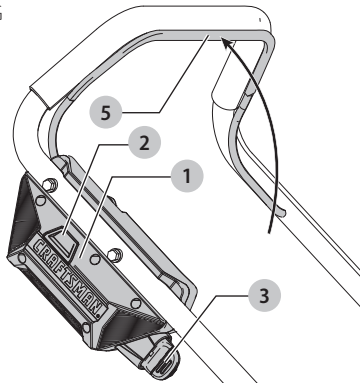
NOTA: La podadora es operativa cuando la batería y la llave de seguridad están instaladas.

1. Inserte la llave de seguridad **3** en la caja del interruptor de ENCENDIDO-APAGADO **1** hasta que esté completamente asentada dentro de la caja como se muestra en la Fig. G. La podadora ahora se puede operar.
2. Su podadora está equipada con una caja especial de interruptor de ENCENDIDO-APAGADO **1**. Para operar la podadora, presione y mantenga presionado el botón de ENCENDIDO-APAGADO **2** en la caja de interruptor de ENCENDIDO-APAGADO **1**, luego jale la manija de travesaño **5** al manillar como se muestra en la Fig. G. Una vez que la podadora lo inicie puede soltar el botón de ENCENDIDO-APAGADO.
3. Para APAGAR la podadora, libere la manija de travesaño **5**.

ADVERTENCIA: Nunca intente bloquear un interruptor o manija de travesaño en la posición ON.

NOTA: Una vez que la manija de travesaño haya regresado a la posición original, activará el "Mecanismo de frenado automático". El motor se frena mecánicamente y la cuchilla de la podadora dejará de girar en tres segundos o menos.

Fig. G



Sobrecarga de la Podadora

Para evitar daños debido a condiciones de sobrecarga, no intente eliminar demasiada hierba a la vez. Disminuya la velocidad de corte o aumente la altura de corte.

Almacenamiento (Fig. A, H)

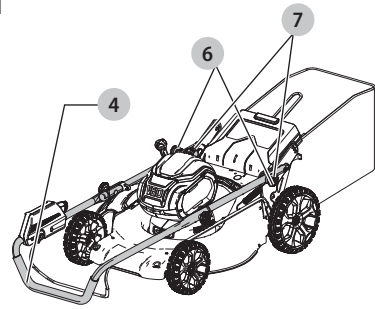
⚠ PELIGRO: La cuchilla giratoria puede causar lesiones serias. Suelte la manija de travesaño **5** para apagar la podadora, retire la llave de seguridad y retire la batería antes de levantar, transportar o almacenar la podadora. Almacene en un lugar seco.

⚠ ATENCIÓN: Punto de atrapamiento. Para evitar que queden atrapados, mantenga los dedos alejados del área alrededor de los soportes de la manija al doblar las manijas.

La manija de la podadora se puede plegar fácilmente para un almacenamiento rápido y conveniente.

1. Para desbloquear la manija **4**, jale los dos seguros de la manija **6**, ubicados a ambos lados de la manija y gire un cuarto de vuelta.
2. Doble la manija a la parte delantera de la podadora como se muestra en la Fig. H.
3. Ubique los orificios de retención del almacenamiento de la manija ubicados en los soportes de la manija **7** como se muestra en la Fig. H.
4. Asegure la manija en su lugar desenroscando los seguros de la manija **6**, permitiendo que se conecten en los orificios de retención de almacenamiento y asegúrese que la manija esté firmemente asegurada, como se muestra en la Fig. H.

Fig. H

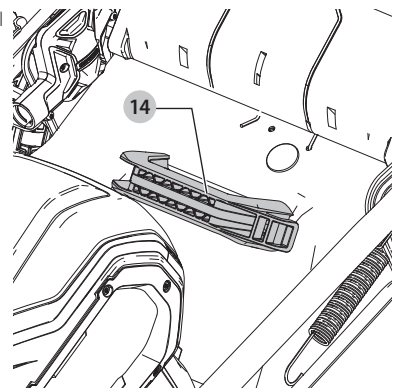


Transporte de la Podadora (Fig. A, I)

⚠ PELIGRO: Las cuchillas giratorias pueden causar lesiones serias. Para evitar lesiones graves, retire la llave de seguridad y el paquete de batería cuando estén desatendidos, o cuando cargue, limpie, dé servicio, transporte, levante o guarde la podadora.

La podadora puede transportarse utilizando las prácticas manijas de transporte **14 15**, como se muestra en la Fig. N. NO intente levantar la podadora sujetando la manija principal **4**.

Fig. I



Consejos de Poda (Fig. A)

⚠ ADVERTENCIA: SIEMPRE REVISE EL ÁREA DONDE SE DEBE UTILIZAR LA PODADORA Y RETIRE TODAS LAS PIEDRAS, PALOS, ALAMBRES, HUESOS Y OTROS ESCOMBROS QUE PUEDAN SER ARROJADOS POR LA CUCHILLA GIRATORIA.

⚠ ADVERTENCIA: Pode a través de la pendiente, nunca de arriba a abajo. Tenga extrema precaución cuando cambie de dirección en pendientes. No corte pendientes excesivamente empinadas. Siempre mantenga un buen equilibrio.

- Suelte la manija de travesaño para apagar la podadora cuando cruce cualquier área de grava (las piedras pueden ser arrojadas por la cuchilla).
- Coloque la podadora a la altura de corte más alta cuando corte en terreno irregular o en malezas altas.

Retirar demasiada hierba a la vez puede causar que el motor se sobrecargue y se detenga.

- Si se usa una bolsa de recolección de hierba **12** durante la temporada de crecimiento rápido, la hierba puede tender a obstruirse en la abertura de descarga. Suelte la manija de travesaño para apagar la podadora, retire la llave de seguridad y el paquete de la batería. Retire el recogedor y agite el césped hasta el final de la bolsa. Limpie también cualquier hierba o escombros que pueda acumularse alrededor de la abertura de descarga. Vuelva a colocar el recogedor de césped.
- Si la podadora comienza a vibrar anormalmente, suelte la manija de travesaño para apagar la podadora, retire la llave de seguridad y el paquete de la batería. Verifique inmediatamente la causa. La vibración es una advertencia de problemas. No opere la podadora hasta que se haya realizado una revisión de servicio. Consulte la **Solución de Problemas** en este manual.
- Para obtener los mejores resultados de corte, mantenga la cuchilla afilada y equilibrada.
- Revise y limpie minuciosamente la podadora después de cada uso, ya que una plataforma con césped atorado reducirá el rendimiento.
- Siempre suelte la manija de travesaño para apagar la podadora, retire la llave de seguridad y el paquete de batería cuando la deje desatendida incluso por un corto período de tiempo.

Las siguientes sugerencias lo ayudarán a obtener un tiempo de operación óptimo de su podadora inalámbrica:

- Reduzca la velocidad en áreas donde la hierba es especialmente larga o gruesa.
- Evite cortar cuando la hierba está mojada por la lluvia o por el rocío.
- Corte su césped con frecuencia, especialmente durante períodos de gran crecimiento.

NOTA: Se recomienda que su cortacésped se recargue después de su uso para prolongar la vida útil de la batería. La carga frecuente no dañará su batería y garantizará que la batería esté completamente cargada y lista para su próximo uso. El almacenamiento de una batería no cargada por completo acortará la vida útil de la batería.

MANTENIMIENTO



PELIGRO: Para reducir el riesgo de lesiones personales serias, apague la unidad, retire la llave de seguridad y retire el paquete de batería antes del ensamble, realizar cualquier ajuste o retirar/instalar conexiones o accesorios. Un arranque accidental puede causar lesiones.

Desinstalación e Instalación de Cuchilla (Fig. J–L)



PELIGRO: RIESGO DE LESIONES. AL REENSAMBLAR EL SISTEMA DE LA CUCHILLA, ASEGÚRESE QUE CADA PARTES SE REINSTALA CORRECTAMENTE, COMO SE DESCRIBE A CONTINUACIÓN. UN ENSAMBLE INCORRECTO DE LA CUCHILLA U OTRAS PARTES DEL SISTEMA DE LA CUCHILLA PUEDE CAUSAR LESIONES GRAVES.



PELIGRO: Para reducir el riesgo de lesiones personales serias, apague la unidad, retire la llave de seguridad y retire el paquete de batería antes de realizar cualquier ajuste o retirar/instalar conexiones o accesorios. Un arranque accidental puede causar lesiones.

1. Corte una pieza de madera de 2" x 4" **23** (alrededor de 2 pies de largo) (610 mm) para evitar que la cuchilla gire al quitar la tuerca de brida **25**.



ADVERTENCIA: Use guantes y protección adecuada para los ojos. Ponga la podadora de lado. Tenga cuidado con los bordes afilados de la cuchilla.

2. Coloque la madera y desatornille la tuerca de brida **24** en sentido contrario a las manecillas del reloj con una llave de 18 mm **25** como se muestra en la Fig. J.
3. Retire el espaciador cuadrado de la cuchilla metálica **26**, el aislador cuadrado de la lámina de plástico **27** y la cuchilla **28** como se muestra en la Fig. K. No se debe quitar el ventilador de la cuchilla **29**. Revise todas las partes respecto a daños y reemplace si es necesario.
4. Instale la cuchilla afilada o nueva **28** en el borde **30** del ventilador de la cuchilla como se muestra en la Fig. K.

NOTA: Cuando reemplace la cuchilla afilada o nueva en el borde del ventilador de la cuchilla), asegúrese que el "LADO DE HIERBA" en la cuchilla quede de cara al suelo cuando la cortadora vuelva a su posición vertical normal.

5. Instale el aislador de cuchilla de plástico **27** en la cuchilla de modo que los labios levantados de un lado se conecten con los bordes de la cuchilla.
6. Instale el espaciador de la cuchilla **26** de manera que quede dentro de los labios levantados en el otro lado del aislador de la cuchilla. Asegúrese de alinear los planos en el orificio del espaciador de la cuchilla con los planos del eje, girando la cuchilla y el aislador de la cuchilla juntos conforme sea necesario.

Coloque la pieza de madera para evitar que la hoja gire como se muestra en la Fig. L. Instale la tuerca de brida **24** con la brida contra el espaciador de la cuchilla **26** y apriete firmemente la cuchilla **28** con una llave **25**.

Fig. J

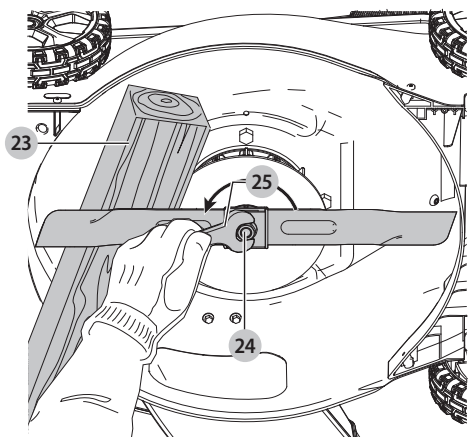


Fig. K

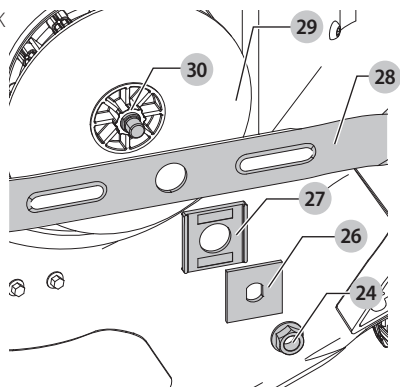
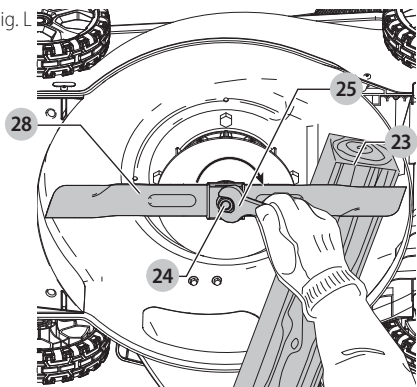


Fig. L



Afilado de Cuchillas

MANTENGA LA HOJA AFILADA PARA OBTENER EL MEJOR RENDIMIENTO DE LA PODADORA. UNA CUCHILLA SIN FILO NO CORTA LA HIERBA DE FORMA LIMPIA.



ADVERTENCIA: Use guantes y protección adecuada para los ojos mientras saca, afila e instala la cuchilla. Asegúrese de quitar la llave de seguridad y el paquete de batería.

Afilar la cuchilla dos veces durante la temporada de poda suele ser suficiente en circunstancias normales. La arena hace que la cuchilla pierda filo rápidamente. Si su césped tiene tierra arenosa, es posible que se requiera un afilado más frecuente. **REEMPLACE INMEDIATAMENTE UNA CUCHILLA DOBLADA O DAÑADA.**

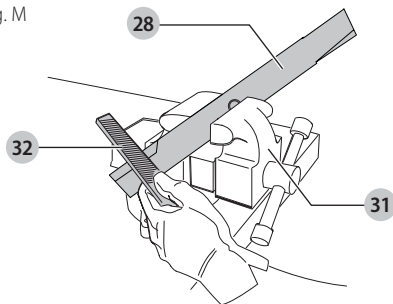
Al Afilar la Cuchilla

- Asegúrese que la cuchilla permanezca balanceada.
- Afile la cuchilla en el ángulo de corte original.
- Afile los bordes de corte en ambos extremos de la cuchilla, eliminando cantidades iguales de material de ambos extremos.

Para Afilar la Cuchilla en una Prensa de Banco (Fig. M)

1. Asegúrese de liberar la manija de travesaño, de que la cuchilla se haya detenido y de que se hayan retirado la llave de seguridad y el paquete de batería antes de retirar la cuchilla.
2. Retire la cuchilla de la podadora. Vea las instrucciones para **Desinstalación e Instalación de cuchilla**.
3. Asegure la cuchilla **28** en una prensa **31**.
4. Use guantes y protección adecuada para los ojos y tenga cuidado de no cortarse.
5. Con cuidado, limpie los bordes de corte de la cuchilla con una lima de dientes finos **32** o piedra para afilar, manteniendo el ángulo del borde de corte original.
6. Verifique el balance de la cuchilla. Vea las instrucciones para **Balaceo de la cuchilla**.
7. Reemplace la cuchilla en la podadora y apriete firmemente.

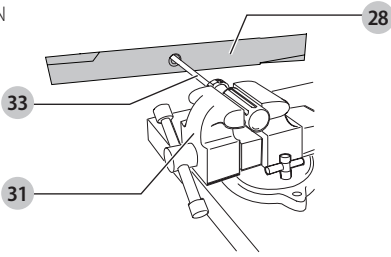
Fig. M



Balaceo de la Cuchilla (Fig. N)

Verifique el equilibrio de la cuchilla **28** colocando el orificio central en la cuchilla sobre un clavo o destornillador redondo **33**, sujeto horizontalmente en una prensa **31**. Si cualquiera de los extremos de la cuchilla gira hacia abajo, lime a lo largo del borde afilado de ese extremo de caída. La cuchilla está correctamente equilibrada cuando ninguno de los extremos cae.

Fig. N



Comisión de Seguridad de los Productos del Consumidor de EUA. La cuchilla gira cuando el motor está en operación.

Accesorios

⚠️ ADVERTENCIA: Debido a que no se han probado con este producto otros accesorios que no sean los que ofrece CRAFTSMAN, el uso de dichos accesorios con esta herramienta podría ser peligroso. Para reducir el riesgo de lesiones, con este producto deben usarse sólo los accesorios recomendados por CRAFTSMAN.

Los accesorios que se recomiendan para utilizar con la herramienta están disponibles a un costo adicional en su distribuidor local o en un centro de mantenimiento autorizado. Si necesita ayuda para localizar algún accesorio, póngase en contacto con CRAFTSMAN, o visite nuestro sitio web: **1-888-331-4569**.

Reparaciones

El Cargador y las unidades de batería no pueden ser reparados. El cargador y la unidad de batería no contienen piezas reparables.

⚠️ ADVERTENCIA: Para asegurar la **SEGURIDAD** y la **CONFIABILIDAD** del producto, las reparaciones, el mantenimiento y los ajustes (inclusive la inspección y el cambio de las escobillas, cuando proceda) deben ser realizados en un centro de mantenimiento en la fábrica CRAFTSMAN u en un centro de mantenimiento autorizado CRAFTSMAN. Utilice siempre piezas de repuesto idénticas.

Para reparación y servicio de sus herramientas eléctricas, favor de dirigirse al Centro de Servicio más cercano

Lubricación

No es necesaria la lubricación. No engrase las ruedas. Tienen superficies de plástico que no requieren lubricación.

Limpieza

⚠️ ADVERTENCIA: Sople la suciedad y polvo de todas las ventilas de aire con aire limpio y seco por lo menos una vez a la semana. Para minimizar el riesgo de lesiones oculares, siempre use protección para los ojos ANSI Z87.1 (CAN/CSA Z94.3) y protección respiratoria aprobada por NIOSH/OSHA/MSHA cuando realice esto.

⚠️ ADVERTENCIA: Nunca use solventes u otros químicos fuertes para limpiar las partes no metálicas de la herramienta. Estos químicos pueden debilitar los materiales plásticos usados en estas partes. Use una tela humedecida únicamente con agua y jabón suave. Nunca permita que entre líquido a la herramienta; nunca sumerja ninguna parte de la herramienta en líquido.

Suelte la manija de travesaño **5** para apagar la podadora, deje que la cuchilla se detenga y luego retire la batería y la llave de seguridad. Limpie los recortes que puedan haberse acumulado en la parte inferior de la plataforma. Después de varios usos, verifique que todos los sujetadores expuestos estén apretados.

Corrosión

Los fertilizantes y otros productos químicos para el jardín contienen agentes que aceleran en gran medida la corrosión de los metales. Si corta en áreas donde se han usado fertilizantes o productos químicos, la podadora se debe limpiar inmediatamente después de la siguiente manera:

Suelte la manija de travesaño **5** para apagar la podadora y retire la batería y la llave de seguridad. Limpie todas las partes expuestas con un paño húmedo.

⚠️ ATENCIÓN: No vierta ni rocíe agua sobre la podadora para intentar limpiarla. No guarde la herramienta en o junto a fertilizantes o productos químicos. Tal almacenamiento puede causar una corrosión rápida.

Cumple con los requisitos de seguridad de CPSC

Las podadoras CRAFTSMAN cumplen con las normas de seguridad del American National Standards Institute y la

CULIACAN, SIN

Bld. Emiliano Zapata 5400-1 Poniente Col. (667) 717 89 99 San Rafael

GUADALAJARA, JAL

Av. La Paz #1779 - Col. Americana Sector (33) 3825 6978 Juárez

MEXICO, D.F.

Eje Central Lázaro Cárdenas No. 18 - Local (55) 5588 9377 D, Col. Obrera

MERIDA, YUC

Calle 63 #459-A - Col. Centro (999) 928 5038

MONTERREY, N.L.

Av. Francisco I. Madero 831 Poniente - Col. (818) 375 23 13 Centro

PUEBLA, PUE

17 Norte #205 - Col. Centro (222) 246 3714

QUERETARO, QRO

Av. San Roque 274 - Col. San Gregorio (442) 2 17 63 14

SAN LUIS POTOSI, SLP

Av. Universidad 1525 - Col. San Luis (444) 814 2383

TORREON, COAH

Bld. Independencia, 96 Pte. - Col. Centro (871) 716 5265

VERACRUZ, VER

Prolongación Díaz Mirón #4280 - Col. Remes (229) 921 7016

VILLAHERMOSA, TAB

Constitución 516-A - Col. Centro (993) 312 5111

PARA OTRAS LOCALIDADES:

Si se encuentra en México, por favor llame al (55) 5326 7100

Si se encuentra en U.S., por favor llame al 1-888-331-4569

Póliza de Garantía

IDENTIFICACIÓN DEL PRODUCTO:

Sello o firma del Distribuidor.

Nombre del producto: _____

Mod./Cat.: _____

Marca: _____

Núm. de serie: _____

(Datos para ser llenados por el distribuidor)

Fecha de compra y/o entrega del producto:

Nombre y domicilio del distribuidor donde se adquirió el producto:

Este producto está garantizado por un año a partir de la fecha de entrega, contra cualquier defecto en su funcionamiento, así como en materiales y mano de obra empleados para su fabricación. Nuestra garantía incluye la reparación o reposición del producto y/o componentes sin cargo alguno para el cliente, incluyendo mano de obra, así como los gastos de transportación razonablemente erogados derivados del cumplimiento de este certificado. Para hacer efectiva esta garantía deberá presentar su herramienta y esta póliza sellada por el establecimiento comercial donde se adquirió el producto, de no contar con ésta, bastará la factura de compra.

Excepciones

Esta garantía no será válida en los siguientes casos:

- Cuando el producto se hubiese utilizado en condiciones distintas a las normales;
- Cuando el producto no hubiese sido operado de acuerdo con el instructivo de uso que se acompaña;
- Cuando el producto hubiese sido alterado o reparado por personas distintas a las enlistadas al final de este certificado.

Anexo encontrará una relación de sucursales de servicio de fábrica, centros de servicio autorizados y franquiciados en la República Mexicana, donde podrá hacer efectiva su garantía y adquirir partes, refacciones y accesorios originales.

Solamente para propósito de México:

Importado por: Craftsman. Tool Co. S.A. de C.V.
 Avenida Antonio Dovali Jaime, # 70 Torre B Piso 9
 Colonia La Fe, Santa Fé
 Código Postal : 01210
 Delegación Alvaro Obregón
 México D.F.
 Tel. (52) 555-326-7100
 R.F.C.: BDE810626-1W7

Registro en Línea

Gracias por su compra. Registre su producto ahora para:

- **SERVICIO EN GARANTÍA:** Si completa esta tarjeta, podrá obtener un servicio en garantía más eficiente, en caso de que exista un problema con su producto.
- **CONFIRMATCIÓN DE PROPIEDAD:** En caso de una pérdida que cubra el seguro, como un incendio, una inundación o un robo, el registro de propiedad servirá como comprobante de compra.
- **PARA SU SEGURIDAD:** Si registra el producto, podremos comunicarnos con usted en el caso improbable que se deba enviar una notificación de seguridad conforme a la Federal Consumer Safety Act (Ley Federal de Seguridad de Productos para el Consumidor).

Registro en línea en www.craftsman.com/registration.

Garantía Limitada de Cuatro Años

CRAFTSMAN reparará o reemplazará, sin cargo, cualquier defecto debido a materiales o mano de obra defectuosos por cuatro años desde la fecha de compra. Esta garantía no cubre falla de partes debido al desgaste normal o abuso de la herramienta. Para detalles adicionales de la cobertura de la garantía e información de reparación de garantía, visite www.craftsman.com o llame al **1-888-331-4569**. Esta garantía no se aplica a accesorios o daño causado cuando otros hayan realizado o intentado reparaciones. ESTA GARANTÍA LIMITADA SE OTORGA EN LUGAR DE TODAS LAS DEMÁS, INCLUIDA LA GARANTÍA IMPLÍCITA DE COMERCIABILIDAD E IDONEIDAD PARA UN PROPÓSITO EN PARTICULAR, Y EXCLUYE TODOS LOS DAÑOS INCIDENTALES O EN CONSECUENCIA. Algunos estados no permiten limitaciones sobre la duración de una garantía implícita o la exclusión o limitación de daños incidentales o en consecuencia, por lo que estas limitaciones pueden no aplicarse en su caso. Esta garantía le da derechos legales específicos y puede tener otros derechos que varían en ciertos estados o provincias.

NOTA: La garantía del producto quedará nula si la unidad de batería ha sido alterada de cualquier manera. CRAFTSMAN no es responsable de ninguna lesión causada por alteraciones y podría iniciar un procedimiento judicial por fraude de garantía hasta el máximo grado permisible por la ley.

GARANTÍA DE REEMBOLSO DE SU DINERO POR 90 DÍAS

Si no está completamente satisfecho con el desempeño de su máquina herramienta o clavadora CRAFTSMAN, cualquiera sea el motivo, podrá devolverlo hasta 90 días de la fecha de compra con su recibo y obtener el reembolso completo de su dinero – sin necesidad de responder a ninguna pregunta.

AMÉRICA LATINA: Esta garantía no se aplica a los productos que se venden en América Latina. Para los

productos que se venden en América Latina, debe consultar la información de la garantía específica del país que viene en el empaque, llamar a la compañía local o visitar el sitio Web a fin de obtener esa información.

REEMPLAZO GRATUITO DE LAS ETIQUETAS DE ADVERTENCIAS: Si sus etiquetas de advertencia se vuelven ilegibles o faltan, llame al **1-888-331-4569** para que se le reemplacen gratuitamente.

SOLUCIÓN DE PROBLEMAS



PELIGRO: Para reducir el riesgo de lesiones personales serias, apague la unidad, retire la llave de seguridad y retire los paquetes de batería antes de realizar cualquier ajuste o retirar/instalar conexiones o accesorios. Un arranque accidental puede causar lesiones.

Si tiene alguna pregunta o comentario sobre esta o cualquier herramienta CRAFTSMAN, llámenos sin cargo al:

1-888-331-4569.

PROBLEMA	SOLUCIÓN
La podadora no funciona cuando se activa la manija de travesaño	<p>Verifique que la llave de seguridad esté instalada y completamente asentada y que el botón del alojamiento del interruptor esté completamente presionado antes de jalar de la manija de travesaño.</p> <p>Libere la manija de travesaño para apagar la podadora. Retire la llave de seguridad y los paquetes de baterías, voltee la podadora y verifique que la cuchilla pueda girar libremente.</p> <p>Verifique que la cavidad de la batería no tenga residuos y que esté conectada correctamente.</p> <p>¿Las baterías se cargaron por completo? Presione el botón de estado de carga.</p>
El motor se detiene al cortar	<p>Libere la manija de travesaño para apagar la podadora. Retire la llave de seguridad y los paquetes de baterías. Voltee la podadora y verifique que la cuchilla pueda girar libremente.</p> <p>Eleve la altura de corte de las ruedas a la posición más alta y arranque la podadora.</p> <p>Verifique que la cavidad de la batería no tenga residuos y que esté conectada correctamente.</p> <p>¿Las baterías se cargaron por completo? Presione el botón de estado de carga.</p> <p>Evite sobrecargar la podadora. Reduzca la velocidad de corte o aumente la altura de corte.</p>
La podadora funciona, pero el desempeño de corte no es satisfactorio, o no corta todo el césped	<p>¿Las baterías se cargaron por completo? Presione el botón de estado de carga.</p> <p>Libere la manija de travesaño para apagar la podadora. Retire la llave de seguridad y los paquetes de baterías.</p> <ul style="list-style-type: none"> • Voltee la cortadora y verifique: • Filo de la cuchilla: mantenga la hoja afilada. <p>Cubierta y plataforma de descarga respecto a obstrucción.</p> <p>El ajuste de la altura de la rueda puede ser demasiado bajo para la condición de la hierba. Eleve la altura de corte.</p>
La podadora es muy difícil de empujar	<p>Libere la manija de travesaño para apagar la podadora. Retire la llave de seguridad y los paquetes de baterías. Aumente la altura de corte para reducir la resistencia de la plataforma en el césped. Verifique que cada rueda tenga rotación libre.</p>
La podadora es anormalmente ruidosa y vibra	<p>Libere la manija de travesaño para apagar la podadora. Retire la llave de seguridad y los paquetes de baterías. Voltee la podadora a un lado y revise la cuchilla para asegurarse de que no esté doblada ni dañada. Si la cuchilla está dañada, reemplácela con una cuchilla de reemplazo CRAFTSMAN. Si la parte inferior de la plataforma está dañada, devuelva la podadora a un centro de servicio autorizado CRAFTSMAN.</p> <p>Si no hay daños visibles en la cuchilla y la cortadora aún vibra: Libere la manija de travesaño para apagar la podadora. Retire la llave de seguridad y los paquetes de baterías. Desmonte todo el ensamble de la cuchilla como se describe en la sección Desinstalación e instalación de la cuchilla. Retire cualquier suciedad y limpie cada pieza. Reemplace cada pieza como se describe en la sección Desinstalación e instalación de la cuchilla. Si la podadora aún vibra, devuelva la podadora a un centro de servicio autorizado por CRAFTSMAN.</p>
La podadora no recoge recortes con la bolsa	<p>Conducto obstruido. Libere la manija de travesaño para apagar la podadora. Retire la llave de seguridad y los paquetes de baterías. Limpie el conducto de recortes de césped.</p> <p>Aumente la altura de corte de las ruedas para acortar la longitud del corte.</p> <p>Bolsa llena. Vacíe la bolsa más a menudo.</p>







CRAFTSMAN BATTERY AND CHARGER SYSTEMS

Charger . Chargeur . Cargadore de baterías

Battery Cat #	Output Voltage	Charger CMCB602
CMCB6025	60	C
CMCB6050	60	C
CMCB6075	60	C

"C" Indicates that the battery pack is compatible with that specific charger. Read the instruction manual for more specific information.

"C" indique que le bloc-piles est compatible avec ce chargeur. Lire le manuel d'utilisation pour obtenir des renseignements plus précis.

Una "C" indica que el paquete de baterías es compatible con ese determinado cargador. Lea el manual de instrucciones para obtener información más precisa.

* *Maximum initial battery voltage (measured without a workload) is 60 volts. Nominal voltage is 54.*

* *La tension initiale maximum du bloc-piles (mesurée à vide) est de 60 volts. La tension nominale est de 54.*

* *El máximo voltaje inicial de la batería (medido sin carga de trabajo) es 60 voltios. El voltaje nominal es de 54.*