

CRAFTSMAN®

INSTRUCTION MANUAL | GUIDE D'UTILISATION | MANUAL DE INSTRUCCIONES

20V Max* 4-1/2" (115 mm) Grinder
Meuleuse 115 mm (4-1/2 po) 20 V max*
Esmeriladora de 115 mm (4-1/2") 20 V Máx*

CMCG400



IF YOU HAVE QUESTIONS OR COMMENTS, CONTACT US.
POUR TOUTE QUESTION OU TOUT COMMENTAIRE, NOUS CONTACTER.
SI TIENE DUDAS O COMENTARIOS, CONTÁCTENOS.

1-888-331-4569

WWW.CRAFTSMAN.COM

English (<i>original instructions</i>)	1
Français (<i>traduction de la notice d'instructions originale</i>)	18
Español (<i>traducido de las instrucciones originales</i>)	38

Thank you for choosing a CRAFTSMAN product!

At CRAFTSMAN, we have 90 years of quality and innovation. Together, we are makers.

Please take a moment to read this manual before operating your new tool. Understanding the safety warnings and cautions is important before using your new purchase safely. Knowing the correct operating information will help you to use your tool to its full potential.

Merci d'avoir choisi un produit CRAFTSMAN!

Chez Craftsman, nous évoluons depuis 90 ans avec des produits de qualité innovants. Avec vous, nous formons une équipe de bâtisseurs.

Veuillez prendre un moment pour lire le présent guide pour vous familiariser avec votre nouvel outil. Il est important de comprendre les avis et avertissements de sécurité avant d'utiliser votre nouvelle acquisition. Connaître la bonne façon de la faire fonctionner vous permettra de l'utiliser à son plein potentiel.

¡Gracias por elegir un producto CRAFTSMAN!

En Craftsman, tenemos 90 de calidad e innovación. Juntos, somos fabricantes.

Tome un momento para leer este manual antes de operar su herramienta nueva. Es importante que comprenda las advertencias y precauciones de seguridad antes de usar su nueva compra de forma segura. Conocer la información de operación correcta le ayudará a utilizar su herramienta en todo su potencial.

Definitions: Safety Alert Symbols and Words

This instruction manual uses the following safety alert symbols and words to alert you to hazardous situations and your risk of personal injury or property damage.



DANGER: Indicates an imminently hazardous situation which, if not avoided, **will** result in **death or serious injury**.



WARNING: Indicates a potentially hazardous situation which, if not avoided, **could** result in **death or serious injury**.



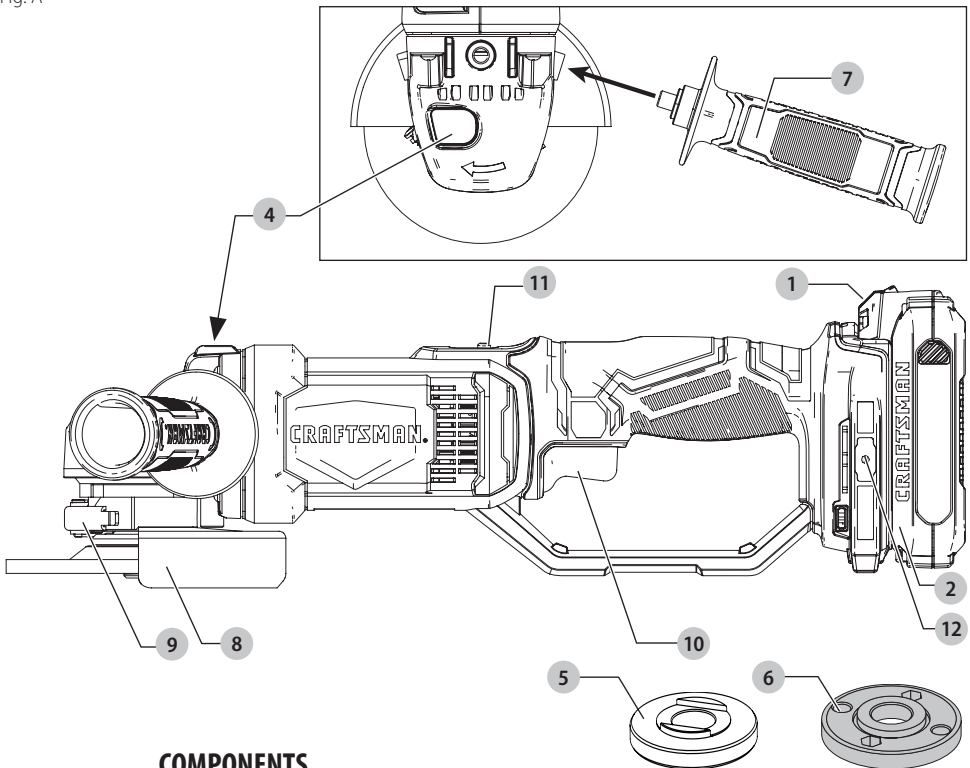
CAUTION: Indicates a potentially hazardous situation which, if not avoided, **may** result in **minor or moderate injury**.



(Used without word) Indicates a safety related message.

NOTICE: Indicates a practice **not related to personal injury** which, if not avoided, **may** result in **property damage**.

Fig. A



COMPONENTS

- 1 Battery
- 2 Battery release button
- 3 Spindle (not shown)
- 4 Spindle lock button
- 5 Unthreaded backing flange
- 6 Threaded locking flange
- 7 Auxiliary handle
- 8 Guard (Type 27)
- 9 Guard release lever
- 10 Trigger switch
- 11 Lock-off button
- 12 CRAFTSMAN accessory attachment location



WARNING: Read all safety warnings and all instructions. Failure to follow the warnings and instructions may result in electric shock, fire and/or serious injury.



WARNING: Never modify the product or any part of it. Damage or personal injury could result.



WARNING: To reduce the risk of injury, read the instruction manual.

If you have any questions or comments about this or any product, call CRAFTSMAN toll free at: **1-888-331-4569**.

20V Max* 4-1/2" (115 mm) Grinder CMCG400

GENERAL POWER TOOL SAFETY WARNINGS



WARNING: Read all safety warnings, instructions, illustrations and specifications provided with this power tool. Failure to follow all instructions listed below may result in electric shock, fire and/or serious injury.

SAVE ALL WARNINGS AND INSTRUCTIONS FOR FUTURE REFERENCE

The term "power tool" in the warnings refers to your mains-operated (corded) power tool or battery-operated (cordless) power tool.

1) Work Area Safety

- Keep work area clean and well lit.** Cluttered or dark areas invite accidents.
- Do not operate power tools in explosive atmospheres, such as in the presence of flammable liquids, gases or dust.** Power tools create sparks which may ignite the dust or fumes.
- Keep children and bystanders away while operating a power tool.** Distractions can cause you to lose control.

2) Electrical Safety

- Power tool plugs must match the outlet. Never modify the plug in any way. Do not use any adapter plugs with earthed (grounded) power tools.** Unmodified plugs and matching outlets will reduce risk of electric shock.
- Avoid body contact with earthed or grounded surfaces such as pipes, radiators, ranges and refrigerators.** There is an increased risk of electric shock if your body is earthed or grounded.
- Do not expose power tools to rain or wet conditions.** Water entering a power tool will increase the risk of electric shock.
- Do not abuse the cord. Never use the cord for carrying, pulling or unplugging the power tool. Keep cord away from heat, oil, sharp edges or moving parts.** Damaged or entangled cords increase the risk of electric shock.
- When operating a power tool outdoors, use an extension cord suitable for outdoor use.** Use of a cord suitable for outdoor use reduces the risk of electric shock.
- If operating a power tool in a damp location is unavoidable, use a ground fault circuit interrupter (GFCI) protected supply.** Use of a GFCI reduces the risk of electric shock.

3) Personal Safety

- Stay alert, watch what you are doing and use common sense when operating a power tool. Do not use a power tool while you are tired or under**

the influence of drugs, alcohol or medication. A moment of inattention while operating power tools may result in serious personal injury.

- Use personal protective equipment. Always wear eye protection.** Protective equipment such as dust mask, non-skid safety shoes, hard hat, or hearing protection used for appropriate conditions will reduce personal injuries.
- Prevent unintentional starting. Ensure the switch is in the off position before connecting to power source and/or battery pack, picking up or carrying the tool.** Carrying power tools with your finger on the switch or energizing power tools that have the switch on invites accidents.
- Remove any adjusting key or wrench before turning the power tool on.** A wrench or a key left attached to a rotating part of the power tool may result in personal injury.
- Do not overreach. Keep proper footing and balance at all times.** This enables better control of the power tool in unexpected situations.
- Dress properly. Do not wear loose clothing or jewelry. Keep your hair, clothing and gloves away from moving parts.** Loose clothes, jewelry or long hair can be caught in moving parts.
- If devices are provided for the connection of dust extraction and collection facilities, ensure these are connected and properly used.** Use of dust collection can reduce dust-related hazards.
- Do not let familiarity gained from frequent use of tools allow you to become complacent and ignore tool safety principles.** A careless action can cause severe injury within a fraction of a second.

4) Power Tool Use and Care

- Do not force the power tool. Use the correct power tool for your application.** The correct power tool will do the job better and safer at the rate for which it was designed.
- Do not use the power tool if the switch does not turn it on and off.** Any power tool that cannot be controlled with the switch is dangerous and must be repaired.
- Disconnect the plug from the power source and/or remove the battery, pack if detachable, from the power tool before making any adjustments, changing accessories, or storing power tools.** Such preventive safety measures reduce the risk of starting the power tool accidentally.
- Store idle power tools out of the reach of children and do not allow persons unfamiliar with the power tool or these instructions to operate the power tool.** Power tools are dangerous in the hands of untrained users.

- e) **Maintain power tools and accessories. Check for misalignment or binding of moving parts, breakage of parts and any other condition that may affect the power tool's operation. If damaged, have the power tool repaired before use.** Many accidents are caused by poorly maintained power tools.
- f) **Keep cutting tools sharp and clean.** Properly maintained cutting tools with sharp cutting edges are less likely to bind and are easier to control.
- g) **Use the power tool, accessories and tool bits, etc. in accordance with these instructions, taking into account the working conditions and the work to be performed.** Use of the power tool for operations different from those intended could result in a hazardous situation.
- h) **Keep handles and grasping surfaces dry, clean and free from oil and grease.** Slippery handles and grasping surfaces do not allow for safe handling and control of the tool in unexpected situations.

5) Battery Tool Use and Care

- a) **Recharge only with the charger specified by the manufacturer.** A charger that is suitable for one type of battery pack may create a risk of fire when used with another battery pack.
- b) **Use power tools only with specifically designated battery packs.** Use of any other battery packs may create a risk of injury and fire.
- c) **When battery pack is not in use, keep it away from other metal objects, like paper clips, coins, keys, nails, screws, or other small metal objects, that can make a connection from one terminal to another.** Shorting the battery terminals together may cause burns or a fire.
- d) **Under abusive conditions, liquid may be ejected from the battery; avoid contact. If contact accidentally occurs, flush with water. If liquid contacts eyes, additionally seek medical help.** Liquid ejected from the battery may cause irritation or burns.
- e) **Do not use a battery pack or tool that is damaged or modified. Damaged or modified batteries may exhibit unpredictable behavior resulting in fire, explosion or risk of injury."**
- f) **Do not expose a battery pack or tool to fire or excessive temperature.** Exposure to fire or temperature above 265 °F (129 °C) may cause explosion."
- g) **Follow all charging instructions and do not charge the battery pack or tool outside the temperature range specified in the instructions.** Charging improperly or at temperatures outside the specified range may damage the battery and increase the risk of fire.

6) Service

- a) **Have your power tool serviced by a qualified repair person using only identical replacement parts.** This will ensure that the safety of the power tool is maintained.
- b) **Never service damaged battery packs.** Service of battery packs should only be performed by the manufacturer or authorized service providers.

SAFETY INSTRUCTIONS FOR ALL OPERATIONS

Safety Warnings Common for Grinding, Sanding, Wire Brushing Operations

- a) **This power tool is intended to function as a grinder, sander, or wire brush. Read all safety warnings, instructions, illustrations and specifications provided with this power tool.** Failure to follow all instructions listed below may result in electric shock, fire and/or serious injury.
- b) **Operations such as polishing and cutting-off are not recommended to be performed with this power tool.** Operations for which the power tool was not designed may create a hazard and cause personal injury.
- c) **Do not use accessories which are not specifically designed and recommended by the tool manufacturer.** Just because the accessory can be attached to your power tool, it does not assure safe operation.
- d) **The rated speed of the accessory must be at least equal to the maximum speed marked on the power tool.** Accessories running faster than their rated speed can break and fly apart.
- e) **The outside diameter and the thickness of your accessory must be within the capacity rating of your power tool.** Incorrectly sized accessories cannot be adequately guarded or controlled.
- f) **Threaded mounting of accessories must match the grinder spindle thread. For accessories mounted by flanges, the arbor hole of the accessory must fit the locating diameter of the flange.** Accessories that do not match the mounting hardware of the power tool will run out of balance, vibrate excessively and may cause loss of control.
- g) **Do not use a damaged accessory. Before each use inspect the accessory such as abrasive wheels for chips and cracks, backing pad for cracks, tear or excess wear, wire brush for loose or cracked wires. If power tool or accessory is dropped, inspect for damage or install an undamaged accessory. After inspecting and installing an accessory, position yourself and bystanders away from the plane of the rotating accessory and run the power tool at maximum no-load speed for one minute. Damaged**

accessories will normally break apart during this test time.

- h) **Wear personal protective equipment. Depending on application, use face shield, safety goggles or safety glasses. As appropriate, wear dust mask, hearing protectors, gloves and workshop apron capable of stopping small abrasive or workpiece fragments. The eye protection must be capable of stopping flying debris generated by various operations. The dust mask or respirator must be capable of filtering particles generated by your operation. Prolonged exposure to high intensity noise may cause hearing loss.**
- i) **Keep bystanders a safe distance away from work area. Anyone entering the work area must wear personal protective equipment.** Fragments of workpiece or of a broken accessory may fly away and cause injury beyond immediate area of operation.
- j) **Hold the power tool by insulated gripping surfaces only, when performing an operation where the cutting accessory may contact hidden wiring or its own cord.** Cutting accessory contacting a "live" wire may make exposed metal parts of the power tool "live" and could give the operator an electric shock.
- k) **Never lay the power tool down until the accessory has come to a complete stop.** The spinning accessory may grab the surface and pull the power tool out of your control.
- l) **Do not run the power tool while carrying it at your side.** Accidental contact with the spinning accessory could snag your clothing, pulling the accessory into your body.
- m) **Regularly clean the power tool's air vents.** The motor's fan will draw the dust inside the housing and excessive accumulation of powdered metal may cause electrical hazards.
- n) **Do not operate the power tool near flammable materials.** Sparks could ignite these materials.
- o) **Do not use accessories that require liquid coolants.** Using water or other liquid coolants may result in electrocution or shock.
- p) **Do not use Type 11 (flaring cup) wheels on this tool.** Using inappropriate accessories can result in injury.
- q) **Always use auxiliary handle. Tighten the handle securely.** The auxiliary handle should always be used to maintain control of the tool at all times.
- r) **When starting the tool with a new or replacement wheel, or a new or replacement wire brush installed, hold the tool in a well protected area and let it run for one minute. If the wheel has an undetected crack or flaw, it should burst in less than one minute. If the wire brush has loose wires, they will be detected. Never start the tool with a person in line with the wheel. This includes the operator.**

- s) **To prevent the spindle end from contacting the bottom of the hole of the abrasive product, use accessories that have a threaded hole depth of at least 21 mm.** Failure to use an accessory with the appropriate thread depth could result in damage to the abrasive product and injury to the operator or persons in the area.
- t) **The arbor size of hubbed wheels, flanges, backing pads or any other accessory must properly fit the spindle of the power tool.** Accessories with arbor holes that do not match the mounting hardware of the power tool will run out of balance, vibrate excessively and may cause loss of control.

Kickback and Related Warnings

Kickback is a sudden reaction to a pinched or snagged rotating wheel, backing pad, brush or any other accessory. Pinching or snagging causes rapid stalling of the rotating accessory which in turn causes the uncontrolled power tool to be forced in the direction opposite of the accessory's rotation at the point of the binding.

For example, if an abrasive wheel is snagged or pinched by the workpiece, the edge of the wheel that is entering into the pinch point can dig into the surface of the material causing the wheel to climb out or kick out. The wheel may either jump toward or away from the operator, depending on direction of the wheel's movement at the point of pinching. Abrasive wheels may also break under these conditions.

Kickback is the result of tool misuse and/or incorrect operating procedures or conditions and can be avoided by taking proper precautions as given below:

- a) **Maintain a firm grip on the power tool and position your body and arm to allow you to resist kickback forces. Always use auxiliary handle, if provided, for maximum control over kickback or torque reaction during start up.** The operator can control torque reaction or kickback forces, if proper precautions are taken.
- b) **Never place your hand near the rotating accessory.** Accessory may kickback over your hand.
- c) **Do not position your body in the area where power tool will move if kickback occurs.** Kickback will propel the tool in direction opposite to the wheel's movement at the point of snagging.
- d) **Use special care when working corners, sharp edges etc. Avoid bouncing and snagging the accessory.** Corners, sharp edges or bouncing have a tendency to snag the rotating accessory and cause loss of control or kickback.
- e) **Do not attach a saw chain woodcarving blade or toothed saw blade.** Such blades create frequent kickback and loss of control.

Safety Warnings Specific for Grinding Operations

- Use only wheel types that are recommended for your power tool and the specific guard designed for the selected wheel.** Wheels for which the power tool was not designed cannot be adequately guarded and are unsafe.
- The grinding surface of center depressed wheels must be mounted below the plane of the guard lip.** An improperly mounted wheel that projects through the plane of the guard lip cannot be adequately protected.
- The guard must be securely attached to the power tool and positioned for maximum safety, so the least amount of wheel is exposed towards the operator.** The guard helps to protect the operator from broken wheel fragments, accidental contact with wheel and sparks that could ignite clothing.
- Wheels must be used only for recommended applications. For example: do not grind with the side of cut-off wheel.**
- Always use undamaged wheel flanges that are of correct size and shape for your selected wheel. Proper wheel flanges support the wheel thus reducing the possibility of wheel breakage.** Flanges for cut-off wheels may be different from grinding wheel flanges.
- Do not use worn down wheels from larger power tools.** Wheel intended for larger power tool is not suitable for the higher speed of a smaller tool and may burst.

Safety Warnings Specific for Sanding Operations

- Do not use excessively oversized sanding disc paper. Follow manufacturers recommendations, when selecting sanding paper.** Larger sanding paper extending beyond the sanding pad presents a laceration hazard and may cause snagging, tearing of the disc or kickback.



Safety Warnings Specific for Wire Brushing Operations

- Be aware that wire bristles are thrown by the brush even during ordinary operation. Do not overstress the wires by applying excessive load to the brush.** The wire bristles can easily penetrate light clothing and/or skin.
- If the use of a guard is recommended for wire brushing, do not allow any interference of the wire wheel or brush with the guard.** Wire wheel or brush may expand in diameter due to work and centrifugal forces.
- Safety goggles or safety glasses with side shields and a full face shield compliant with ANSI Z87.1 MUST be worn by the operator and others that are within 50' (15.2 m) of the use of this product.**

Additional Safety Warnings

-  **WARNING:** To reduce the risk of injury, use only accessories rated at least equal to the maximum speed marked on the tool.
-  **WARNING:** To reduce the risk of injury, always use proper guards when grinding.
-  **WARNING:** Do not use Type 1/41 flat cut-off abrasive or diamond wheels without proper guard.
-  **WARNING:** The grinding wheel or accessory may loosen during coastdown of the tool when shut off. If grinding wheel or accessory loosens, it may dismount from the machine and may cause serious personal injury.
-  **WARNING:** Do not operate this tool for long periods of time. Vibration caused by the operating action of this tool may cause permanent injury to fingers, hands, and arms. Use gloves to provide extra cushion, take frequent rest periods, and limit daily time of use.
-  **WARNING:** When not in use, place grinder on a stable surface where it will not move inadvertently, roll or cause a tripping or falling hazard.
-  **CAUTION:** To reduce the risk of personal injury, use extra care when working in a corner or edge because a sudden sharp movement of the tool may be experienced when the wheel or other accessory contacts a secondary surface or a surface edge.

Additional Safety Information

-  **WARNING: ALWAYS** use safety glasses. Everyday eyeglasses are NOT safety glasses. Also use face or dust mask if cutting operation is dusty. ALWAYS WEAR CERTIFIED SAFETY EQUIPMENT:
 - ANSI Z87.1 eye protection (CAN/CSA Z94.3),
 - ANSI S12.6 (S3.19) hearing protection,
 - NIOSH/OSHA/MSHA respiratory protection.
-  **WARNING:** Some dust created by power sanding, sawing, grinding, drilling, and other construction activities contains chemicals known to the State of California to cause cancer, birth defects or other reproductive harm. Some examples of these chemicals are:
 - lead from lead-based paints,
 - crystalline silica from bricks and cement and other masonry products, and
 - arsenic and chromium from chemically-treated lumber.

Your risk from these exposures varies, depending on how often you do this type of work. To reduce your exposure to these chemicals: work in a well ventilated area, and work with approved safety equipment, such as those dust masks that are specially designed to filter out microscopic particles.

- **Avoid prolonged contact with dust from power sanding, sawing, grinding, drilling, and other construction activities. Wear protective clothing and**

wash exposed areas with soap and water. Allowing dust to get into your mouth, eyes, or lay on the skin may promote absorption of harmful chemicals.







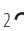

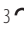



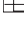
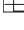







⚠️ WARNING: Use of this tool can generate and/or disperse dust, which may cause serious and permanent respiratory or other injury. Always use NIOSH/OSHA approved respiratory protection appropriate for the dust exposure. Direct particles away from face and body.

⚠️ WARNING: Always wear proper personal hearing protection that conforms to ANSI S12.6 (S3.19) during use. Under some conditions and duration of use, noise from this product may contribute to hearing loss.

⚠️ CAUTION: When not in use, place tool on its side on a stable surface where it will not cause a tripping or falling hazard. Some tools will stand upright but may be easily knocked over.

- **Air vents often cover moving parts and should be avoided.** Loose clothes, jewelry or long hair can be caught in moving parts.

The label on your tool may include the following symbols. The symbols and their definitions are as follows:

V.....volts	 wear respiratory protection	
Hz.....hertz	 wear eye protection	
min.....minutes	 wear hearing protection	
— or DC.....direct current	 read all documentation	
 Class I Construction (grounded)	/min or ..min ⁻¹ . Revolutions or Reciprocations per minute	
.../min.....per minute		2.....two phase alternating current	
BPM.....beats per minute		2N.....two phase alternating current with neutral	
IPM.....impacts per minute		3.....three phase alternating current	
RPM.....revolutions per minute		3N.....three phase alternating current with neutral	
sfpm.....surface feet per minute		rated current of the appropriate fuse-link in amperes
SPM.....strokes per minute		time-log miniature fuse-link where X is the symbol for the time/current characteristic, as given in IEC 60127-3
OPM.....oscillations per minute	IPXX.....	IP symbol	
A.....amperes			
W.....watts			
 or AC.....alternating current			
 or AC/DC..... alternating or direct current			
 Class II Construction (double insulated)			
n ₀no load speed			
n.....rated speed			
 earthing terminal			
 safety alert symbol			
 visible radiation			
 avoid staring at light			

BATTERIES AND CHARGERS

The battery pack is not fully charged out of the carton. Before using the battery pack and charger, read the safety instructions below and then follow charging procedures outlined. When ordering replacement battery packs, be sure to include the catalog number and voltage.

READ ALL INSTRUCTIONS

Important Safety Instructions for All Battery Packs

⚠️ WARNING: Read all safety warnings, instructions, and cautionary markings for the battery pack, charger and product. Failure to follow the warnings and instructions may result in electric shock, fire and/or serious injury.

- **Do not charge or use the battery pack in explosive atmospheres, such as in the presence of flammable liquids, gases or dust.** Inserting or removing the battery pack from the charger may ignite the dust or fumes.
- **When battery pack is not in use, keep it away from other metal objects, like paper clips, coins, keys, nails, screws, or other small metal objects, that can make a connection from one terminal to another.** Shorting the battery terminals together may cause burns or a fire.
- **NEVER force the battery pack into the charger. DO NOT modify the battery pack in any way to fit into a non-compatible charger as battery pack may rupture causing serious personal injury.**
- Charge the battery packs only in CRAFTSMAN chargers.
- **DO NOT splash or immerse in water or other liquids.**
- **Do not store or use the tool and battery pack in locations where the temperature may reach or exceed 104 °F (40 °C) (such as outside sheds or metal buildings in summer).** For best life store battery packs in a cool, dry location.
- **NOTE: Do not store the battery packs in a tool with the trigger switch locked on. Never tape the trigger switch in the ON position.**
- **Do not incinerate the battery pack even if it is severely damaged or is completely worn out.** The battery pack can explode in a fire. Toxic fumes and materials are created when lithium-ion battery packs are burned.
- **If battery contents come into contact with the skin, immediately wash area with mild soap and water.** If battery liquid gets into the eye, rinse water over the open eye for 15 minutes or until irritation ceases. If medical attention is needed, the battery electrolyte is composed of a mixture of liquid organic carbonates and lithium salts.
- **Contents of opened battery cells may cause respiratory irritation.** Provide fresh air. If symptoms persist, seek medical attention.

⚠️ WARNING: Burn hazard. Battery liquid may be flammable if exposed to spark or flame.



WARNING: Fire hazard. Never attempt to open the battery pack for any reason. If the battery pack case is cracked or damaged, do not insert into the charger. Do not crush, drop or damage the battery pack. Do not use a battery pack or charger that has received a sharp blow, been dropped, run over or damaged in any way (e.g., pierced with a nail, hit with a hammer, stepped on). Damaged battery packs should be returned to the service center for recycling.

Storage Recommendations

1. The best storage place is one that is cool and dry, away from direct sunlight and excess heat or cold.
2. For long storage, it is recommended to store a fully charged battery pack in a cool dry place out of the charger for optimal results.

NOTE: Battery packs should not be stored completely depleted of charge. The battery pack will need to be recharged before use.

Battery Pack Cleaning Instructions

1. Dirt and grease may be removed from the exterior of the battery using a cloth or soft non-metallic brush. Do not use water or any cleaning solutions.

The RBRC® Seal

The RBRC® (Rechargeable Battery Recycling Corporation) Seal on the nickel cadmium, nickel metal hydride or lithium-ion batteries (or battery packs) indicates that the costs to recycle these batteries (or battery packs) at the end of their useful life have already been paid by CRAFTSMAN. In some areas, it is illegal to place spent nickel cadmium, nickel metal hydride or lithium-ion batteries in the trash or municipal solid waste stream and the Call 2 Recycle® program provides an environmentally conscious alternative.

Call 2 Recycle, Inc., in cooperation with CRAFTSMAN and other battery users, has established the program in the United States and Canada to facilitate the collection of spent nickel cadmium, nickel metal hydride or lithium-ion batteries. Help protect our environment and conserve natural resources by returning the spent nickel cadmium, nickel metal hydride or lithium-ion batteries to an authorized service center or to your local retailer for recycling. You may also contact your local recycling center for information on where to drop off the spent battery. RBRC® is a registered trademark of Call 2 Recycle, Inc..



Transportation



WARNING: Fire hazard. Do not store or carry the battery pack so that metal objects can contact exposed battery terminals. For example, do not place the battery pack in aprons, pockets, tool boxes, product kit boxes, drawers, etc., with loose nails, screws, keys, etc. **Transporting batteries can possibly cause fires if the battery terminals inadvertently come in contact with conductive materials such as keys, coins, hand tools and the**

like. The US Department of Transportation Hazardous Material Regulations (HMR) actually prohibit transporting batteries in commerce or on airplanes in carry-on baggage UNLESS they are properly protected from short circuits. So when transporting individual battery packs, make sure that the battery terminals are protected and well insulated from materials that could contact them and cause a short circuit. **NOTE:** LI-ION batteries should not be put in checked baggage.

Important Safety Instructions for All Battery Chargers



WARNING: Read all safety warnings, instructions, and cautionary markings for the battery pack, charger and product. Failure to follow the warnings and instructions may result in electric shock, fire and/or serious injury.

- **DO NOT attempt to charge the battery pack with any chargers other than a CRAFTSMAN charger.** CRAFTSMAN charger and battery pack are specifically designed to work together.
- **These chargers are not intended for any uses other than charging CRAFTSMAN rechargeable batteries.** Any other uses may result in risk of fire, electric shock or electrocution.
- **Do not expose the charger to rain or snow.**
- **Pull by the plug rather than the cord when disconnecting the charger.** This will reduce the risk of damage to the electric plug and cord.
- **Make sure that the cord is located so that it will not be stepped on, tripped over or otherwise subjected to damage or stress.**
- **Do not use an extension cord unless it is absolutely necessary.** Use of improper extension cord could result in risk of fire, electric shock or electrocution.
- **When operating a charger outdoors, always provide a dry location and use an extension cord suitable for outdoor use.** Use of a cord suitable for outdoor use reduces the risk of electric shock.
- **An extension cord must have adequate wire size (AWG or American Wire Gauge) for safety.** The smaller the gauge number of the wire, the greater the capacity of the cable, that is, 16 gauge has more capacity than 18 gauge. An undersized cord will cause a drop in line voltage resulting in loss of power and overheating. When using more than one extension to make up the total length, be sure each individual extension contains at least the minimum wire size. The following table shows the correct size to use depending on cord length and nameplate ampere rating. If in doubt, use the next heavier gauge. The lower the gauge number, the heavier the cord.

Minimum Gauge for Cord Sets

Volts	Total Length of Cord in Feet (meters)					
	120 V	25 (7.6)	50 (15.2)	100 (30.5)	150 (45.7)	
240 V	50 (15.2)	100 (30.5)	200 (61.0)	300 (91.4)		
Ampere Rating		American Wire Gauge				
More Than	Not More Than					
0	6	18	16	16	14	
6	10	18	16	14	12	
10	12	16	16	14	12	
12	16	14	12	Not Recommended		

- **Do not place any object on top of the charger or place the charger on a soft surface that might block the ventilation slots and result in excessive internal heat.** Place the charger in a position away from any heat source. The charger is ventilated through slots in the top and the bottom of the housing.
- **Do not operate the charger with a damaged cord or plug—have them replaced immediately.**
- **Do not operate the charger if it has received a sharp blow, been dropped or otherwise damaged in any way.** Take it to an authorized service center.
- **Do not disassemble the charger; take it to an authorized service center when service or repair is required.** Incorrect reassembly may result in a risk of electric shock, electrocution or fire.
- **Disconnect the charger from the outlet before attempting any cleaning. This will reduce the risk of electric shock.** Removing the battery pack will not reduce this risk.
- **NEVER attempt to connect 2 chargers together.**
- **The charger is designed to operate on standard 120V household electrical power. Do not attempt to use it on any other voltage.** This does not apply to the vehicular charger.

⚠ WARNING: Shock hazard. Do not allow any liquid to get inside the charger. Electric shock may result.

⚠ WARNING: Burn hazard. Do not submerge the battery pack in any liquid or allow any liquid to enter the battery pack. Never attempt to open the battery pack for any reason. If the plastic housing of the battery pack breaks or cracks, return to a service center for recycling.

⚠ CAUTION: Burn hazard. To reduce the risk of injury, charge only CRAFTSMAN rechargeable battery packs. Other types of batteries may overheat and burst resulting in personal injury and property damage.

⚠ CAUTION: Under certain conditions, with the charger plugged into the power supply, the charger can be shorted by foreign material. Foreign materials of a conductive nature, such as, but not limited to, grinding dust, metal chips, steel wool, aluminum foil or any buildup of metallic particles should be kept away from the charger cavities. Always unplug the charger from the power supply when there is no

battery pack in the cavity. Unplug the charger before attempting to clean.

Charging a Battery

NOTE: To ensure maximum performance and life of lithium-ion battery packs, charge the battery pack fully before first use.

1. Plug the charger into an appropriate outlet before inserting battery pack.
2. Connect the charger and battery pack, making sure the battery is fully seated. The (charging) light will blink continuously indicating that the charging process has started.
3. The completion of charge will be indicated by the light remaining ON continuously. The battery pack is fully charged and may be removed and used at this time or left in the charger.

NOTE: To remove the battery pack, some chargers require the battery pack release button to be pressed.

Indicators		
	Charging	
	Fully Charged	
	Hot/Cold Pack Delay	

A charger will not charge a faulty battery pack. The charger refusing to light could indicate a problem with the charger.

NOTE: If the charger refuses to light, take the charger and battery pack to be tested at an authorized service center.

Hot/Cold Pack Delay

When the charger detects a battery pack that is too hot or too cold, it automatically starts a Hot/Cold Pack Delay, suspending charging until the battery pack has reached an appropriate temperature. The charger then automatically switches to the pack charging mode. This feature ensures maximum battery pack life.

A cold battery pack may charge at a slower rate than a warm battery pack.

Important Charging Notes

1. Longest life and best performance can be obtained if the battery pack is charged when the air temperature is between 65 °F – 75 °F (18 °C – 24 °C). DO NOT charge when the battery pack is below +40 °F (+4.5 °C), or above +104 °F (+40 °C). This is important and will prevent serious damage to the battery pack.
2. The charger and battery pack may become warm to the touch while charging. This is a normal condition, and does not indicate a problem. To facilitate the cooling of the battery pack after use, avoid placing the charger or battery pack in a warm environment such as in a metal shed or an uninsulated trailer.
3. If the battery pack does not charge properly:
 - a. Check operation of receptacle by plugging in a lamp or other appliance;

- b. Check to see if receptacle is connected to a light switch which turns power off when you turn out the lights;
 - c. Move the charger and battery pack to a location where the surrounding air temperature is approximately 65 °F – 75 °F (18 ° – 24 °C);
 - d. If charging problems persist, take the tool, battery pack and charger to your local service center.
4. The battery pack should be recharged when it fails to produce sufficient power on jobs which were easily done previously. DO NOT CONTINUE to use under these conditions. Follow the charging procedure. You may also charge a partially used pack whenever you desire with no adverse effect on the battery pack.
 5. Foreign materials of a conductive nature such as, but not limited to, grinding dust, metal chips, steel wool, aluminum foil, or any buildup of metallic particles should be kept away from charger cavities. Always unplug the charger from the power supply when there is no battery pack in the cavity. Unplug the charger before attempting to clean.
 6. Do not freeze or immerse the charger in water or any other liquid.

Charger Cleaning Instructions



WARNING: Shock hazard. Disconnect the charger from the AC outlet before cleaning. Dirt and grease may be removed from the exterior of the charger using a cloth or soft non-metallic brush. Do not use water or any cleaning solutions.

Wall Mounting

These chargers are designed to be wall mountable or to sit upright on a table or work surface. If wall mounting, locate the charger within reach of an electrical outlet, and away from a corner or other obstructions which may impede air flow. Use the back of the charger as a template for the location of the mounting screws on the wall. Mount the charger securely using drywall screws (purchased separately) at least 1" (25.4 mm) long, with a screw head diameter of 0.28–0.35" (7–9 mm), screwed into wood to an optimal depth leaving approximately 7/32" (5.5 mm) of the screw exposed. Align the slots on the back of the charger with the exposed screws and fully engage them in the slots.

Versatrack

CRAFTSMAN chargers can be mounted to the wall using CRAFTSMAN Versatrack Trackwall. Hooks and accessories are sold separately. Please refer to the Versatrack Trackwall accessory sheet for further information.

SAVE THESE INSTRUCTIONS FOR FUTURE USE

COMPONENTS (FIG. A)

Intended Use

Your small angle grinder has been designed for household use for grinding, sanding, and wire brush applications.

DO NOT use under wet conditions or in presence of flammable liquids or gases.

DO NOT let children come into contact with the tool. Supervision is required when inexperienced operators use this tool.

ASSEMBLY AND ADJUSTMENTS




WARNING: To reduce the risk of serious personal injury, turn unit off and remove the battery pack before making any adjustments or removing/installing attachments or accessories. An accidental start-up can cause injury.

Attaching the Auxiliary Handle (Fig. A)



WARNING: This handle SHOULD BE USED AT ALL TIMES to maintain complete control of the tool. Always make sure the handle is tight.

Screw the auxiliary handle  tightly into one of the threaded mounting holes of the gear case.

Mounting Guard

Mounting and Removing Guard (Type 27)



CAUTION: Turn unit off and remove the battery pack before making any adjustments or removing/installing attachments or accessories.

NOTE: Guards must be used with all grinding wheels, sanding flap discs, wire brushes, and wire wheels. The tool may be used without a guard only when sanding with conventional sanding discs. The guard is intended for use with depressed center wheels (Type 27) and hubbed grinding wheels (Type 27). The same guard is designed for use with sanding flap discs (Type 27 and 29) and wire cup brushes.

Mounting Guard (Fig. B)



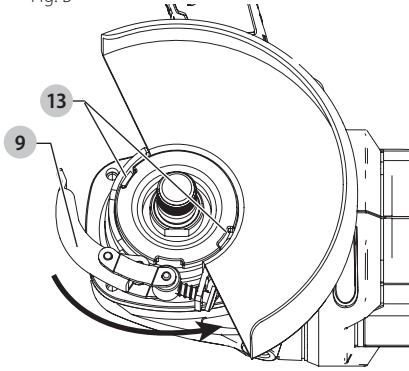
1. Open the guard release lever , and align the lugs on the guard  with the slots on the gear case cover.
2. Push the guard down until the guard lugs engage and rotate freely in the groove on the gear case hub.
3. With the guard latch open, rotate the guard into the desired working position. The guard body should be positioned between the spindle and the operator to provide maximum operator protection.
4. Close the guard latch to secure the guard on the gear case cover. You should not be able to rotate the guard by hand when the latch is closed. Do not operate the grinder with a loose guard or the clamp lever in open position.

Fig. B

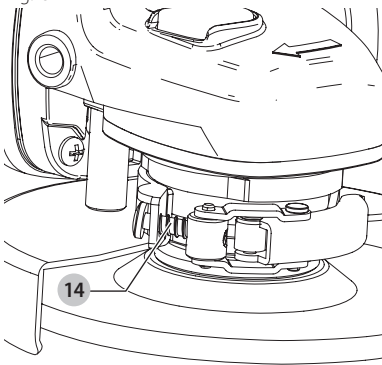


Removing Guard (Fig. B, C)

To remove the guard, open the guard latch, rotate the guard so that the lugs on the guard 13 are aligned with the slots on the gear case cover, and pull the guard away from the gear case cover.

NOTE: The guard is pre-adjusted to the diameter of the gear case hub at the factory. If, after a period of time, the guard becomes loose, tighten the adjusting screw 14 with latch in the closed position and guard installed on the tool.

Fig. C



CAUTION: Do not tighten the adjusting screw with the latch in the open position. Undetectable damage to the guard or the mounting hub may result. If the guard cannot be tightened by the guard latch, do not use the tool and take the tool and guard to a service center to repair or replace the guard.

Flanges and Wheels

CAUTION: Turn unit off and remove the battery pack before making any adjustments or removing/installing attachments or accessories.

Mounting Non-Hubbed Wheels (Fig. A, D, E)

WARNING: Failure to properly seat the flanges and/or wheel could result in serious injury (or damage to the tool or wheel).

CAUTION: Included flanges must be used with depressed center Type 27/42 grinding wheels. See the Accessories Chart for more information.

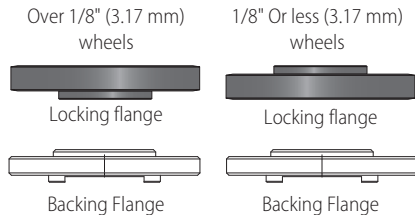
WARNING: Use of a damaged flange or guard or failure to use proper flange and guard can result in injury due to wheel breakage and wheel contact. See the Accessories Chart for more information.

Depressed center Type 27 grinding wheels must be used with included flanges.

1. Place the tool on a table, guard up.
2. Install the unthreaded backing flange 5 on spindle 3 with the raised center (pilot) facing the wheel.
3. Place wheel 15 against the backing flange, centering the wheel on the raised center (pilot) of the backing flange.
4. While depressing the spindle lock button, thread the threaded locking flange 6 on spindle.

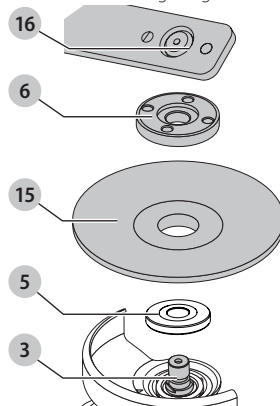
NOTE: If the wheel you are installing is more than 1/8" (3.17 mm) thick, place the threaded locking flange on the spindle so that the raised section (pilot) fits into the center of the wheel. If the wheel you are installing is 1/8" (3.17 mm) thick or less, place the threaded locking flange on the spindle so that the raised section (pilot) is not against the wheel.

Fig. D



5. To remove the wheel, depress the spindle lock button and loosen the threaded locking flange.

Fig. E



Mounting Sanding Backing Pads (Fig. A, F)

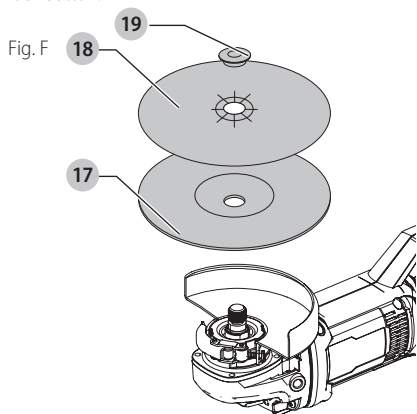
NOTE: Use of a guard with sanding discs that use backing pads, often called fiber resin discs, is not required. Since a

guard is not required for these accessories, the guard may or may not fit correctly if used.

WARNING: Failure to properly seat the clamp nut and/or pad could result in serious injury (or damage to the tool or wheel).

WARNING: Proper guard must be reinstalled for grinding wheel, sanding flap disc, wire brush or wire wheel applications after sanding applications are complete.

1. Place or appropriately thread backing pad **17** on the spindle.
2. Place the sanding disc **18** on the backing pad **17**.
3. While depressing spindle lock button **4**, thread the sanding clamp nut **19** on spindle, piloting the raised hub on the clamp nut into the center of sanding disc and backing pad.
4. Tighten the clamp nut by hand. Then depress the spindle lock button while turning the sanding disc until the sanding disc and clamp nut are snug.
5. To remove the wheel, grasp and turn the backing pad and sanding pad while depressing the spindle lock button.



Mounting and Removing Hubbed Wheels (Fig. A)

Hubbed wheels install directly on the spindle. Thread of accessory must match thread of spindle.

1. Remove backing flange by pulling away from tool.
2. Thread the wheel on the spindle **3** by hand.
3. Depress the spindle lock button **4** and use a wrench to tighten the hub of the wheel.
4. Reverse the above procedure to remove the wheel.

NOTICE: Failure to properly seat the wheel before turning the tool on may result in damage to the tool or the wheel.

Mounting Wire Cup Brushes and Wire Wheels (Fig. A)

WARNING: Failure to properly seat the brush/wheel could result in serious injury (or damage to the tool or wheel).

CAUTION: To reduce the risk of personal injury, wear work gloves when handling wire brushes and wheels. They can become sharp.

CAUTION: To reduce the risk of damage to the tool, wheel or brush must not touch guard when mounted or while in use. Undetectable damage could occur to the accessory, causing wires to fragment from accessory wheel or cup.

Wire cup brushes or wire wheels install directly on the threaded spindle without the use of flanges. Use only wire brushes or wheels provided with a threaded hub. These accessories are available at extra cost from your local dealer or authorised service center.

1. Place the tool on a table, guard up.
2. Thread the wheel on the spindle by hand.
3. Depress spindle lock button **4** and use a wrench on the hub of the wire wheel or brush to tighten the wheel.
4. To remove the wheel, reverse the above procedure.

NOTICE: To reduce the risk of damage to the tool, properly seat the wheel hub before turning the tool on.

Prior to Operation

- Install the guard and appropriate disc or wheel. Do not use excessively worn discs or wheels.
- Be sure the backing and threaded locking flange are mounted correctly. Follow the instructions given in the **Accessory Chart**.
- Make sure the disc or wheel rotates in the direction of the arrows on the accessory and the tool.
- Do not use a damaged accessory. Before each use inspect the accessory such as abrasive wheels for chips and cracks, backing pad for cracks, tear or excess wear, wire brush for loose or cracked wires. If power tool or accessory is dropped, inspect for damage or install an undamaged accessory. After inspecting and installing an accessory, position yourself and bystanders away from the plane of the rotating accessory and run the power tool at maximum no-load speed for one minute. Damaged accessories will normally break apart during this test time.

OPERATION

WARNING: To reduce the risk of serious personal injury, turn unit off and remove the battery pack before making any adjustments or removing/installing attachments or accessories. An accidental start-up can cause injury.

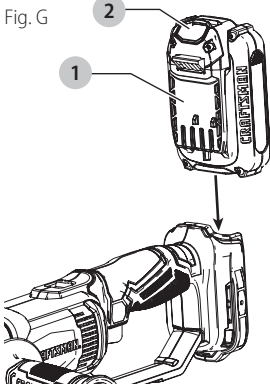
Installing and Removing the Battery Pack (Fig. G)

NOTE: For best results, make sure your battery pack is fully charged.

To install the battery pack **1** into the tool handle, align the battery pack with the rails inside the tool's handle and slide it into the handle until the battery pack is firmly seated in the tool and ensure that it does not disengage.

ENGLISH

To remove the battery pack from the tool, press the release button **2** and firmly pull the battery pack out of the tool handle. Insert it into the charger as described in the charger section of this manual.



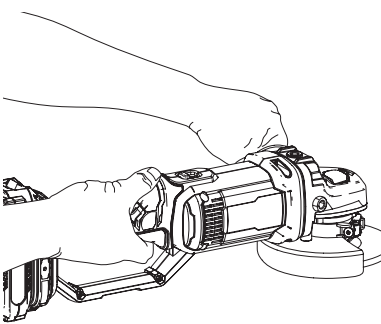
Proper Hand Position (Fig. A, H)

WARNING: To reduce the risk of serious personal injury, **ALWAYS** use proper hand position as shown.

WARNING: To reduce the risk of serious personal injury, **ALWAYS** hold securely in anticipation of a sudden reaction.

Proper hand position requires one hand on the auxiliary handle **7**, with the other hand on the body of the tool.

Fig. H



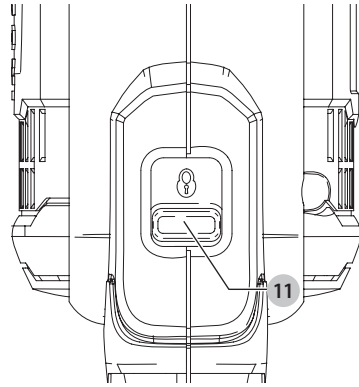
Lock-Off Button and Trigger Switch (Fig. I-K)

Your grinder is equipped with a lock-off button **11**.

- To lock the trigger switch **10**, move the lock-off button **11** to the rear as shown in Figure I. When the lock-off button is moved to this position, the trigger switch is locked.

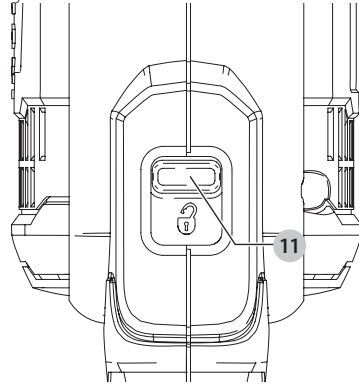
NOTE: Always lock the trigger switch when carrying or storing the tool to eliminate unintentional starting.

Fig. I



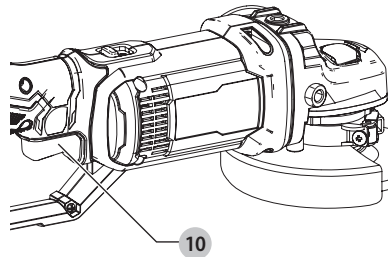
- To unlock the trigger switch, move the lock-off button to the front. When the lock-off button is moved to this position, the trigger switch is unlocked.

Fig. J



- Pull the trigger switch **10** to turn the motor ON. Releasing the trigger switch turns the motor OFF.

Fig. K



NOTE: This tool has no provision to lock the switch in the ON position, and should never be locked ON by any other means.

Hold the three position auxiliary handle **7** and body of the tool firmly to maintain control of the tool at start up and during use and until the wheel or accessory stops rotating.

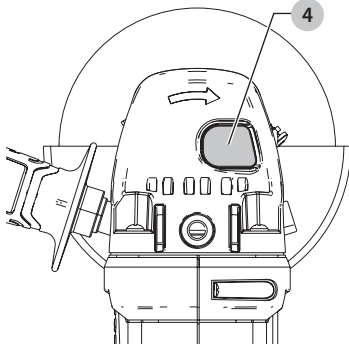
Make sure the wheel has come to a complete stop before laying the tool down.

Allow the tool to reach full speed before touching tool to the work surface. Lift the tool from the work surface before turning the tool off.

Spindle Lock (Fig. L)

1. The spindle lock button **4** is provided to prevent the spindle from rotating when installing or removing wheels. Operate the spindle lock only when the tool is turned off, the battery is removed, and the wheel has come to a complete stop.
2. Do not engage the spindle lock while the tool is operating. Damage to the tool will result and attached accessory may spin off possibly resulting in injury.
3. To engage the lock, depress the spindle lock button shown in Figure L and rotate the spindle until you are unable to rotate the spindle further.

Fig. L



Surface Grinding, Sanding and Wire Brushing (Fig. M)

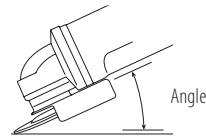
CAUTION: Always use the correct guard per the instructions in this manual.

WARNING: Metal dust build-up. Extensive use of flap discs in metal applications can result in the increased potential for electric shock. To reduce this risk, insert an RCD before use and clean the ventilation slots daily by blowing dry compressed air into the ventilation slots in accordance with the below maintenance instructions.

To perform work on the surface of a workpiece:

1. Allow the tool to reach full speed before touching the tool to the work surface.
2. Apply minimum pressure to the work surface, allowing the tool to operate at high speed. Material removal rate is greatest when the tool operates at high speed.

Fig. M



3. Maintain an appropriate angle between the tool and work surface. Refer to the chart according to particular function.

Function	Angle
Grinding	20°-30°
Sanding with Flap Disc	5°-10°
Sanding with Backing Pad	5°-15°
Wire Brushing	5°-10°

4. Maintain contact between the edge of the wheel and the work surface.
 - If grinding, sanding with flap discs or wire brushing move the tool continuously in a forward and back motion to avoid creating gouges in the work surface.
 - If sanding with a backing pad, move the tool constantly in a straight line to prevent burning and swirling of work surface.

NOTE: Allowing the tool to rest on the work surface without moving will damage the work piece.

5. Remove the tool from work surface before turning tool off. Allow the tool to stop rotating before laying it down.



CAUTION: Use extra care when working over an edge, as a sudden sharp movement of grinder may be experienced.

Precautions to Take When Working on a Painted Workpiece

1. Sanding or wire brushing of lead based paint is NOT RECOMMENDED due to the difficulty of controlling the contaminated dust. The greatest danger of lead poisoning is to children and pregnant women.
2. Since it is difficult to identify whether or not a paint contains lead without a chemical analysis, we recommend the following precautions when sanding any paint:

Personal Safety

1. No children or pregnant women should enter the work area where the paint sanding or wire brushing is being done until all clean up is completed.
2. A dust mask or respirator should be worn by all persons entering the work area. The filter should be replaced daily or whenever the wearer has difficulty breathing.

NOTE: Only those dust masks suitable for working with lead paint dust and fumes should be used. Ordinary painting masks do not offer this protection. See your local hardware dealer for the proper N.I.O.S.H. approved mask.
3. NO EATING, DRINKING or SMOKING should be done in the work area to prevent ingesting contaminated paint

ENGLISH

particles. Workers should wash and clean up BEFORE eating, drinking or smoking. Articles of food, drink, or smoking should not be left in the work area where dust would settle on them.

Environmental Safety

1. Paint should be removed in such a manner as to minimize the amount of dust generated.
2. Areas where paint removal is occurring should be sealed with plastic sheeting of 4 mils thickness.
3. Sanding should be done in a manner to reduce tracking of paint dust outside the work area.

Cleaning and Disposal

1. All surfaces in the work area should be vacuumed and thoroughly cleaned daily for the duration of the sanding project. Vacuum filter bags should be changed frequently.
2. Plastic drop cloths should be gathered up and disposed of along with any dust chips or other removal debris. They should be placed in sealed refuse receptacles and disposed of through regular trash pick-up procedures. During clean up, children and pregnant women should be kept away from the immediate work area.
3. All toys, washable furniture and utensils used by children should be washed thoroughly before being used again.

Edge Grinding

Edge grinding must not be done with this tool.

Using Sanding Backing Pads

Choose the proper grit sanding discs for your application. Sanding discs are available in various grits. Coarse grits yield faster material removal rates and a rougher finish. Finer grits yield slower material removal and a smoother finish.

Begin with coarse grit discs for fast, rough material removal. Move to a medium grit paper and finish with a fine grit disc for optimal finish.

Sandpaper	Grit
Coarse	16–30
Medium	36–80
Fine Finishing	100–120
Very Fine Finishing	150–180

1. Allow the tool to reach full speed before touching tool to the work surface.
2. Apply minimum pressure to work surface, allowing the tool to operate at high speed. Sanding rate is greatest when the tool operates at high speed.
3. Figure M - Maintain a 5° to 15° angle between the tool and work surface. The sanding disc should contact approximately 1" (25mm) of work surface.
4. Move the tool constantly in a straight line to prevent burning and swirling of work surface. Allowing the tool to rest on the work surface without moving, or moving the tool in a circular motion causes burning and swirling marks on the work surface.

5. Remove the tool from work surface before turning tool off. Allow the tool to stop rotating before laying it down.

Using Wire Cup Brushes and Wire Wheels

Wire wheels and brushes can be used for removing rust, scale and paint, and for smoothing irregular surfaces.

NOTE: The same precautions should be taken when wire brushing paint as when sanding paint.

1. Allow the tool to reach full speed before touching the tool to the work surface.
2. Apply minimum pressure to work surface, allowing the tool to operate at high speed. Material removal rate is greatest when the tool operates at high speed.
3. Maintain a 5° to 10° angle between the tool and work surface for wire cup brushes.
4. Maintain contact between the edge of the wheel and the work surface with wire wheels.
5. Continuously move the tool in a forward and back motion to avoid creating gouges in the work surface. Allowing the tool to rest on the work surface without moving, or moving the tool in a circular motion causes burning and swirling marks on the work surface.
6. Remove the tool from the work surface before turning the tool off. Allow the tool to stop rotating before setting it down.
7. Use extra care when working over an edge, as a sudden sharp movement of grinder may be experienced.

MAINTENANCE



WARNING: To reduce the risk of serious personal injury, turn unit off and remove the battery pack before making any adjustments or removing/installing attachments or accessories. An accidental start-up can cause injury.

Cleaning



WARNING: Blow dirt and dust out of all air vents with clean, dry air at least once a week. To minimize the risk of eye injury, always wear ANSI Z87.1 approved eye protection when performing this.



WARNING: Never use solvents or other harsh chemicals for cleaning the non-metallic parts of the tool. These chemicals may weaken the plastic materials used in these parts. Use a cloth dampened only with water and mild soap. Never let any liquid get inside the tool; never immerse any part of the tool into a liquid.

Blowing dust and grit out of the motor housing using compressed air is a necessary maintenance procedure. Dust and grit from metal grinding often accumulate on interior surfaces and could create an electrical shock hazard if not cleaned out.

- Always handle accessories with care when mounting or removing.
- The best storage place for accessories is one that is cool and dry away from direct sunlight and excess heat or cold.

WARNING: ALWAYS use safety glasses. Everyday eyeglasses are NOT safety glasses. Also use face or dust mask if operation is dusty. ALWAYS WEAR CERTIFIED SAFETY EQUIPMENT:

- ANSI Z87.1 eye protection (CAN/CSA Z94.3),
- ANSI S12.6 (S3.19) hearing protection,
- NIOSH/OSHA/MSHA respiratory protection.
- Use only mild soap and a damp cloth to clean the tool. Never let any liquid get inside the tool; never immerse any part of the tool into a liquid.

Accessories

WARNING: Since accessories, other than those offered by CRAFTSMAN, have not been tested with this product, use of such accessories with this tool could be hazardous. To reduce the risk of injury, only CRAFTSMAN recommended accessories should be used with this product.

Recommended accessories for use with your tool are available at extra cost from your local dealer or authorized service center. If you need assistance in locating any accessory, please contact CRAFTSMAN, call **1-888-331-4569**.

Versatrack™ (Fig. O)

WARNING: To reduce the risk of serious personal injury, turn unit off and remove the battery pack before making any adjustments or removing/installing attachments or accessories. An accidental start-up can cause injury.

WARNING: To reduce the risk of serious personal injury, do not use a damaged Versatrack™ hang hook or Versatrack™ Trackwall. A damaged Versatrack™ hang hook or Versatrack™ Trackwall will not support the weight of the tool.

WARNING: To reduce the risk of serious personal injury, ensure the screw holding the Versatrack™ hang hook is securely tightened.

WARNING: To reduce the risk of serious personal injury, DO NOT suspend tool overhead or suspend objects from the hang hook. ONLY suspend tool on the Versatrack™ Trackwall using the hang hook.

WARNING: Ensure that the tool weight does not exceed the maximum rated weight for the selected Versatrack™ hook.

WARNING: When hanging objects on a Versatrack™ Trackwall rail, adequately space the tools in order to not exceed 75 lb (35 kg) per linear foot.

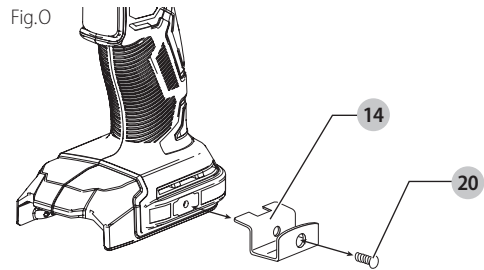
IMPORTANT: When attaching the Versatrack hang hook, use only the screw that is provided. Be sure to securely tighten the screw. Versatrack™ accessories mount compatible tools securely to the Versatrack™ Trackwall system.

1. Turn tool off, remove the battery pack and remove accessories.

CAUTION: Any product with exposed cutting teeth must have them covered securely if it is to be on the Versatrack™ Trackwall.

2. Attach the hang hook **14** on the tool.
 - a. Place the Versatrack hang hook onto the mounting location at the base of the tool.
 - b. Use a screwdriver to secure the hang hook with the provided screw **20**. Do not use any other screw for this.

NOTE: Versatrack™ accessories for use with your tool are available at extra cost from your local dealer or authorized service center. If you need assistance in locating any accessory, please contact CRAFTSMAN, call **1-888-331-4569**.



Repairs

The charger and battery pack are not serviceable. There are no serviceable parts inside the charger or battery pack.

WARNING: To assure product SAFETY and RELIABILITY, repairs, maintenance and adjustment (including brush inspection and replacement, when applicable) should be performed by a CRAFTSMAN factory service center or a CRAFTSMAN authorized service center. Always use identical replacement parts.

Register Online

Thank you for your purchase. Register your product now for:

- **WARRANTY SERVICE:** Registering your product will help you obtain more efficient warranty service in case there is a problem with your product.
- **CONFIRMATION OF OWNERSHIP:** In case of an insurance loss, such as fire, flood or theft, your registration of ownership will serve as your proof of purchase.
- **FOR YOUR SAFETY:** Registering your product will allow us to contact you in the unlikely event a safety notification is required under the Federal Consumer Safety Act.

Register online at www.craftsman.com/registration

Three Year Limited Warranty

CRAFTSMAN will repair or replace, without charge, any defects due to faulty materials or workmanship for three years from the date of purchase (two years for batteries). This warranty does not cover part failure due to normal

ENGLISH

wear or tool abuse. For further detail of warranty coverage and warranty repair information, visit www.craftsman.com or call **1-888-331-4569**. This warranty does not apply to accessories or damage caused where repairs have been made or attempted by others. THIS LIMITED WARRANTY IS GIVEN IN LIEU OF ALL OTHERS, INCLUDING THE IMPLIED WARRANTY OF MERCHANTABILITY AND FITNESS FOR A PARTICULAR PURPOSE, AND EXCLUDES ALL INCIDENTAL OR CONSEQUENTIAL DAMAGES. Some states do not allow limitations on how long an implied warranty lasts or the exclusion or limitation of incidental or consequential damages, so these limitations may not apply to you. This warranty gives you specific legal rights and you may have other rights which vary in certain states or provinces.

2 YEARS FREE SERVICE ON CRAFTSMAN BATTERY PACKS

CMCB201, CMCB2011

3 YEARS FREE SERVICE ON CRAFTSMAN BATTERY PACKS

CMCB202, CMCB204

NOTE: Battery warranty voided if the battery pack is tampered with in any way. CRAFTSMAN is not responsible for any injury caused by tampering and may prosecute warranty fraud to the fullest extent permitted by law.

90 DAY MONEY BACK GUARANTEE

If you are not completely satisfied with the performance of your CRAFTSMAN Power Tool or Nailer for any reason, you can return it within 90 days from the date of purchase with a receipt for a full refund – no questions asked.

LATIN AMERICA: This warranty does not apply to products sold in Latin America. For products sold in Latin America, see country specific warranty information contained in

the packaging, call the local company or see website for warranty information.

FREE WARNING LABEL REPLACEMENT: If your warning labels become illegible or are missing, call **1-888-331-4569** for a free replacement.

TROUBLESHOOTING GUIDE

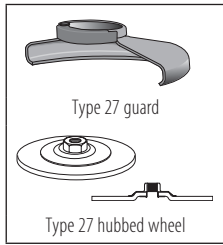
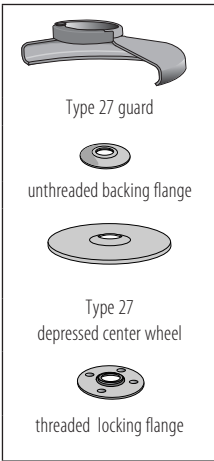
BE SURE TO FOLLOW SAFETY RULES AND INSTRUCTIONS

For assistance with your product, visit our website at www.craftsman.com for a list of service centers, or call CRAFTSMAN at 1-888-331-4569.

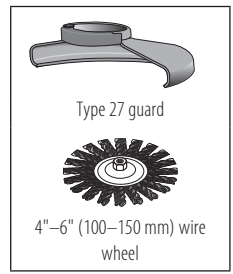
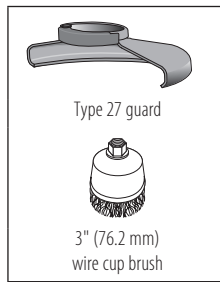
PROBLEM	POSSIBLE CAUSE	SOLUTION
Unit will not start.	Battery pack not installed properly.	Check battery pack installation.
	Battery pack not charged.	Check battery pack charging requirements.
	Internal components too hot.	Allow tool to cool down.
Battery pack will not charge.	Battery pack not inserted into charger.	Insert battery pack into charger until LED illuminates.
	Charger not plugged in.	Plug charger into a working outlet. Refer to Important Charging Notes for more details.
	Surrounding air temperature too hot or too cold.	Move battery pack to a surrounding air temperature of above 40 °F (4.5 °C) or below 104 °F (+40 °C).
Unit shuts off abruptly.	Battery pack has reached its maximum thermal limit.	Allow battery pack to cool down.
	Out of charge. (To maximize the life of the battery pack it is designed to shut off abruptly when the charge is depleted.)	Place on charger and allow to charge.

ACCESSORIES CHART

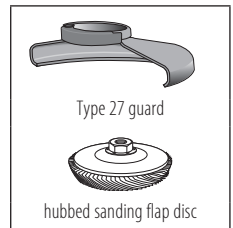
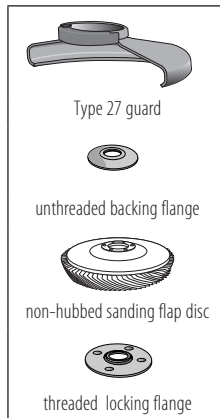
4 1/2" (115 mm) Grinding Wheels



Wire Wheels



4 1/2" (115 mm) Sanding Flap Discs



Définitions : symboles et termes d'alarmes sécurité

Ces guides d'utilisation utilisent les symboles et termes d'alarmes sécurité suivants pour vous prévenir de situations dangereuses et de risques de dommages corporels ou matériels.



DANGER : indique une situation dangereuse imminente qui, si elle n'est pas évitée, **entraînera la mort ou des blessures graves**.



AVERTISSEMENT : indique une situation potentiellement dangereuse qui, si elle n'est pas évitée, **pourrait entraîner la mort ou des blessures graves**.



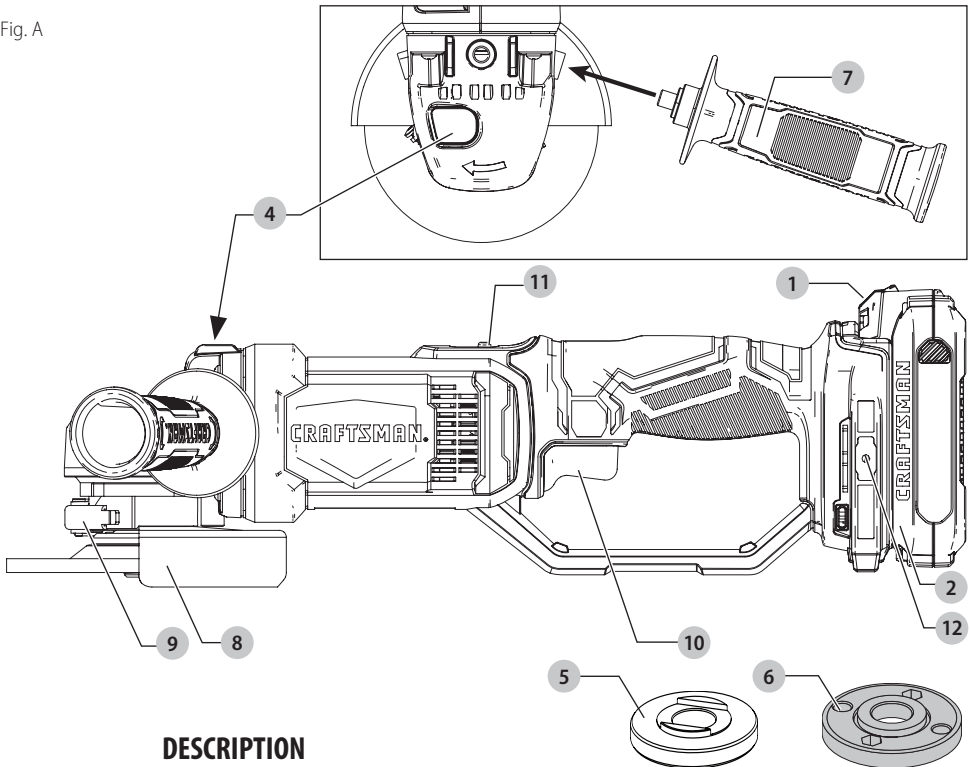
ATTENTION : indique une situation potentiellement dangereuse qui, si elle n'est pas évitée, **pourrait entraîner des blessures légères ou modérées**.



(Si utilisé sans aucun terme) Indique un message propre à la sécurité.

AVIS : indique une pratique ne posant **aucun risque de dommages corporels** mais qui par contre, si rien n'est fait pour l'éviter, **pourrait poser des risques de dommages matériels**.

Fig. A



DESCRIPTION

- 1 Bloc-pile
- 2 Bouton de libération de bloc-pile
- 3 Broche (non illustré)
- 4 Bouton de verrouillage de la broche
- 5 Bride de soutien non fileté
- 6 Bride de verrouillage taraudée
- 7 Poignée latérale
- 8 Carter (Type 27)
- 9 Levier de déverrouillage du carter
- 10 Détente
- 11 Bouton de verrouillage
- 12 Emplacement de fixation d'accessoire CRAFTSMAN



AVERTISSEMENT : lire tous les avertissements de sécurité et toutes les directives. Le non-respect des avertissements et des directives pourrait se solder par un choc électrique, un incendie et/ou une blessure grave.



AVERTISSEMENT : ne jamais modifier l'outil électrique ni aucun de ses composants, car il y a des risques de dommages corporels ou matériels.



AVERTISSEMENT : afin de réduire le risque de blessures, lire le mode d'emploi de l'outil.

Pour toute question ou remarque au sujet de cet outil ou de tout autre outil CRAFTSMAN composez le numéro sans frais : 1-888-331-4569.

Meuleuse 115 mm (4-1/2 po) 20 V max* CMCG400

AVERTISSEMENTS GÉNÉRAUX SUR LA SÉCURITÉ DES OUTILS



AVERTISSEMENT : lisez tous les avertissements de sécurité, toutes les instructions, les illustrations et les caractéristiques fournis avec cet outil électrique. Ne pas suivre toutes les instructions comprises aux présentes peut conduire à un choc électrique, un incendie et/ou des blessures graves.

CONSERVER TOUS LES AVERTISSEMENTS ET TOUTES LES DIRECTIVES POUR UN USAGE ULTÉRIEUR

Le terme « outil électrique » cité dans les avertissements se rapporte à votre outil électrique à alimentation sur secteur (avec fil) ou par piles (sans fil).

1) Sécurité du lieu de travail

- Tenir l'aire de travail propre et bien éclairée.**
Les lieux encombrés ou sombres sont propices aux accidents.
- Ne pas faire fonctionner d'outils électriques dans un milieu déflagrant, tel qu'en présence de liquides, de gaz ou de poussières inflammables.**
Les outils électriques produisent des étincelles qui pourraient enflammer la poussière ou les vapeurs.
- Éloigner les enfants et les personnes à proximité pendant l'utilisation d'un outil électrique.** Une distraction pourrait en faire perdre la maîtrise à l'utilisateur.

2) Sécurité en matière d'électricité

- Les fiches des outils électriques doivent correspondre à la prise. Ne jamais modifier la fiche d'aucune façon. Ne jamais utiliser de fiche d'adaptation avec un outil électrique mis à la terre.** Le risque de choc électrique sera réduit par l'utilisation de fiches non modifiées correspondant à la prise.
- Éviter tout contact physique avec des surfaces mises à la terre comme des tuyaux, des radiateurs, des cuisinières et des réfrigérateurs.** Le risque de choc électrique est plus élevé si votre corps est mis à la terre.
- Ne pas exposer les outils électriques à la pluie ou à l'humidité.** La pénétration de l'eau dans un outil électrique augmente le risque de choc électrique.
- Ne pas utiliser le cordon de façon abusive. Ne jamais utiliser le cordon pour transporter, tirer ou débrancher un outil électrique. Tenir le cordon éloigné de la chaleur, de l'huile, des bords tranchants et des pièces mobiles.** Les

cordons endommagés ou enchevêtrés augmentent les risques de choc électrique.

- Pour l'utilisation d'un outil électrique à l'extérieur, se servir d'une rallonge convenant à cette application.** L'utilisation d'une rallonge conçue pour l'extérieur réduira les risques de choc électrique.
- S'il est impossible d'éviter l'utilisation d'un outil électrique dans un endroit humide, brancher l'outil dans une prise ou sur un circuit d'alimentation dotés d'un disjoncteur de fuite à la terre (GFCI).** L'utilisation de ce type de disjoncteur réduit les risques de choc électrique.

3) Sécurité personnelle

- Être vigilant, surveiller le travail effectué et faire preuve de jugement lorsqu'un outil électrique est utilisé. Ne pas utiliser d'outil électrique en cas de fatigue ou sous l'influence de drogues, d'alcool ou de médicaments.** Un simple moment d'inattention en utilisant un outil électrique peut entraîner des blessures corporelles graves.
- Utiliser des équipements de protection individuelle. Toujours porter une protection oculaire.** L'utilisation d'équipements de protection comme un masque antipoussière, des chaussures antidérapantes, un casque de sécurité ou des protecteurs auditifs lorsque la situation le requiert réduira les risques de blessures corporelles.
- Empêcher les démarrages intempestifs. S'assurer que l'interrupteur se trouve à la position d'arrêt avant de relier l'outil à une source d'alimentation et/ou d'insérer un bloc-piles, de ramasser ou de transporter l'outil.** Transporter un outil électrique alors que le doigt repose sur l'interrupteur ou brancher un outil électrique dont l'interrupteur est à la position de marche risque de provoquer un accident.
- Retirer toute clé de réglage ou clé avant de démarrer l'outil.** Une clé ou une clé de réglage attachée à une partie pivotante de l'outil électrique peut provoquer des blessures corporelles.
- Ne pas trop tendre les bras. Conserver son équilibre en tout temps.** Cela permet de mieux maîtriser l'outil électrique dans les situations imprévues.
- S'habiller de manière appropriée. Ne pas porter de vêtements amples ni de bijoux. Garder les cheveux, les vêtements et les gants à l'écart des pièces mobiles.** Les vêtements amples, les bijoux ou les cheveux longs risquent de rester coincés dans les pièces mobiles.
- Si des composants sont fournis pour le raccordement de dispositifs de dépoussiérage et de ramassage, s'assurer que ceux-ci sont bien**

raccordés et utilisés. L'utilisation d'un dispositif de dépoussiérage peut réduire les dangers engendrés par les poussières.

- h) **Ne pas laisser votre connaissance acquise suite l'utilisation fréquente des outils vous permettre de baisser la garde et ignorer les principes de sécurité de l'outil.** Un acte irréfléchi peut causer une blessure grave en une fraction de seconde.

4) Utilisation et entretien d'un outil électrique

- a) **Ne pas forcer un outil électrique. Utiliser l'outil électrique approprié à l'application.** L'outil électrique approprié effectuera un meilleur travail, de façon plus sûre et à la vitesse pour laquelle il a été conçu.
- b) **Ne pas utiliser un outil électrique dont l'interrupteur est défectueux.** Tout outil électrique dont l'interrupteur est défectueux est dangereux et doit être réparé.
- c) **Débranchez la fiche de la prise électrique et, si amovible, retirez le bloc-piles de l'outil avant d'effectuer tout ajustement, changement et entreposage de celui-ci.** Ces mesures préventives réduisent les risques de démarrage accidentel de l'outil électrique.
- d) **Ranger les outils électriques hors de la portée des enfants et ne permettre à aucune personne n'étant pas familière avec un outil électrique ou son mode d'emploi d'utiliser cet outil.** Les outils électriques deviennent dangereux entre les mains d'utilisateurs inexpérimentés.
- e) **Gardez les poignées et surfaces d'emprise propres et libres de tout produit lubrifiant. Vérifier si les pièces mobiles sont mal alignées ou coincées, si des pièces sont brisées ou présentent toute autre condition susceptible de nuire au bon fonctionnement de l'outil électrique. En cas de dommage, faire réparer l'outil électrique avant toute nouvelle utilisation.** Beaucoup d'accidents sont causés par des outils électriques mal entretenus.
- f) **S'assurer que les outils de coupe sont aiguisés et propres.** Les outils de coupe bien entretenus et affûtés sont moins susceptibles de se coincer et sont plus faciles à maîtriser.
- g) **Utiliser l'outil électrique, les accessoires, les forets, etc. conformément aux présentes directives en tenant compte des conditions de travail et du travail à effectuer.** L'utilisation d'un outil électrique pour toute opération autre que celle pour laquelle il a été conçu est dangereuse.
- h) **Garder vos mains et les surfaces de prise sèches, propres et libres de graisse et de poussière.** Les mains et les surfaces de prise glissante ne permettent pas la manutention et le contrôle sécuritaires de l'outil dans les situations imprévues.

5) Utilisation et entretien du bloc-piles

- a) **Ne recharger l'outil qu'au moyen du chargeur précisé par le fabricant.** L'utilisation d'un chargeur qui convient à un type de bloc-piles risque de provoquer un incendie s'il est utilisé avec un autre type de bloc-piles.
- b) **Utiliser les outils électriques uniquement avec les blocs-piles conçus à cet effet.** L'utilisation de tout autre bloc-piles risque de causer des blessures ou un incendie.
- c) **Lorsque le bloc-piles n'est pas utilisé, le tenir éloigné des objets métalliques, notamment des trombones, de la monnaie, des clés, des clous, des vis ou autres petits objets métalliques qui peuvent établir une connexion entre les deux bornes.** Le court-circuit des bornes du bloc-piles risque de provoquer des brûlures ou un incendie.
- d) **En cas d'utilisation abusive, le liquide peut gicler hors du bloc-piles; éviter tout contact avec ce liquide. Si un contact accidentel se produit, laver à grande eau. Si le liquide entre en contact avec les yeux, obtenir également des soins médicaux.** Le liquide qui gicle hors du bloc-piles peut provoquer des irritations ou des brûlures.
- e) **Ne pas utiliser de bloc-piles ou outil qui a été endommagé ou modifié.** Les unités endommagées ou modifiées peuvent avoir une réaction imprévisible résultant en un incendie, une explosion ou un potentiel de blessure.
- f) **Ne pas exposer de bloc-piles ou l'outil aux flammes ou à des températures excessives.** L'exposition aux flammes ou à une température au-dessus de 129 °C (265 °F) pourrait causer une explosion.
- g) **Suivre toutes les instructions de recharge et ne rechargez pas le bloc-piles ou l'outil à des températures hors de la plage de température indiquée dans les instructions.** Une recharge non conforme ou à une température hors des limites spécifiées peut endommager les piles et augmenter le risque d'incendie.

6) Réparation

- a) **Faire réparer l'outil électrique par un réparateur professionnel en n'utilisant que des pièces de rechange identiques. Cela permettra de maintenir une utilisation sécuritaire de l'outil électriques.**
- b) **Ne jamais réparer des blocs-piles endommagés.** La réparation de blocs-piles doit seulement être effectuée par le fabricant ou les fournisseurs de service autorisé.

CONSIGNES DE SÉCURITÉ POUR TOUTES LES OPÉRATIONS

Avertissements de sécurité communs pour les opérations de meulage, de sablage, de nettoyage avec une brosse

- a) *Cet outil puissant est conçu pour fonctionner comme un outil de meulage, de sablage ou de nettoyage avec une brosse. Lisez tous les avertissements de sécurité, toutes les instructions, les illustrations et les caractéristiques fournis avec cet outil électrique. Ne pas suivre toutes les instructions comprises aux présentes peut conduire à un choc électrique, un incendie et/ou des blessures graves.*
- b) *Les opérations comme le polissage et la coupe ne sont pas recommandées avec cet outil électrique. Les opérations pour lesquelles l'outil n'a pas été conçu peuvent créer un danger et causer une blessure corporelle.*
- c) *Ne pas utiliser d'accessoire non conçu spécifiquement pour cet outil ou qui n'aurait pas reçu une approbation spécifique du fabricant de l'outil. En effet, il est parfois possible de fixer un accessoire à l'outil électrique; toutefois, cela ne garantit pas une utilisation sécuritaire.*
- d) *Le régime nominal de l'accessoire doit être au moins égal au régime maximal inscrit sur l'outil électrique. Les accessoires soumis à un régime plus élevé que celui pour lequel ils sont conçus peuvent se briser et être projetés.*
- e) *Le diamètre externe et l'épaisseur de l'accessoire doivent être adéquats pour la capacité de l'outil électrique. Il est impossible de protéger l'utilisateur d'un bris d'accessoire de mauvais calibre ou de le maîtriser correctement.*
- f) *Les raccords filetés d'accessoires doivent correspondre au filetage de la broche de la meuleuse. Pour les accessoires à installation par brides, l'alésage central de l'accessoire doit correspondre au diamètre de référence de la bride. Les accessoires ne correspondant pas au dispositif d'installation de l'outil électrique ne tourneront pas correctement, vibreront de façon excessive et pourront causer la perte de contrôle de l'outil.*
- g) *Ne jamais utiliser un accessoire endommagé. Avant toute utilisation, inspecter la meule abrasive à la recherche d'éclats et de fissures; le tampon pour tout signe de fissures, déchirures ou d'usure excessive; et la brosse métallique, pour déceler s'il y a des fils métalliques fissurés ou détachés. En cas de chute de l'outil ou de l'accessoire, les inspecter à la recherche de dommages ou insérer un accessoire non endommagé. Après l'inspection et l'insertion*
- d'un accessoire, se positionner (l'utilisateur ou quiconque aux alentours) hors du plan de rotation de l'accessoire et faire tourner, pendant une minute, l'outil électrique à plein régime, à vide. Normalement, tout accessoire endommagé se brisera au cours de cette période d'essai.*
- h) *Porter un équipement de protection individuelle. Utiliser un masque facial, des lunettes de sécurité ou des lunettes protectrices en fonction de l'application. Au besoin, porter un masque antipoussières, des protecteurs auditifs, des gants et un tablier d'atelier capable d'arrêter de petits fragments d'abrasifs ou de pièces. La protection oculaire doit être en mesure d'arrêter tout débris produit par les diverses opérations et le masque antipoussières ou le respirateur, de filtrer les particules produites par l'opération en cours. Une exposition prolongée à un bruit d'intensité élevée pourrait causer une perte auditive.*
- i) *Éloigner tout observateur à une distance sécuritaire de la zone de travail. Toute personne qui pénètre dans la zone de travail devra également porter un équipement de protection individuelle. Il est possible qu'un fragment de pièce ou un accessoire brisé soit projeté et provoque des blessures au-delà de la zone immédiate de travail.*
- j) *Tenir l'outil électrique par les surfaces isolées prévues à cet effet pendant toute utilisation où l'organe de coupe pourrait entrer en contact avec des fils électriques cachés ou son propre cordon. Tout contact de l'organe de coupe avec un fil sous tension mettra les parties métalliques exposées de l'outil électrique sous tension et électrocutera l'utilisateur.*
- k) *Ne jamais déposer l'outil électrique avant l'immobilisation complète de l'accessoire. L'accessoire en mouvement risquerait de mordre dans la surface et de projeter l'outil électrique.*
- l) *Mettre l'outil hors tension pour tout déplacement de celui-ci par l'utilisateur. Un contact accidentel avec l'accessoire en mouvement pourrait happer les vêtements de l'opérateur et projeter l'accessoire contre son corps.*
- m) *Nettoyer régulièrement les événements de l'outil électrique. Le ventilateur du moteur aspirera la poussière à l'intérieur du boîtier. Une accumulation excessive de poudre métallique représente un danger d'origine électrique.*
- n) *Ne pas faire fonctionner l'outil électrique à proximité de matières inflammables. Les étincelles produites risquent de les enflammer.*
- o) *Ne pas utiliser d'accessoires qui exigent l'utilisation d'un liquide de refroidissement. L'utilisation d'eau ou de tout autre liquide de refroidissement pourrait se solder par une électrocution ou une secousse électrique.*

- p) **Ne jamais utiliser de meules de type 11 (boisseau conique) sur cet outil.** L'utilisation d'accessoires inadéquats peut se solder par des blessures.
- q) **Utilisez toujours la poignée auxiliaire. Serrez la poignée de façon sécuritaire.** La poignée auxiliaire doit toujours être utilisée pour maintenir le contrôle de l'outil en tout temps.
- r) **Au démarrage de l'outil avec une meule ou une brosse métallique neuve, ou après l'avoir changée, maintenir l'outil dans un espace sécuritaire et le laisser tourner une minute. Si le disque était affecté d'une fêlure ou d'un défaut caché, il éclaterait en moins d'une minute. Si des fils de la brosse métallique étaient lâches, cela serait alors détecté.** Ne jamais démarrer l'outil lorsque quelqu'un se tient directement devant le disque, y compris l'utilisateur.
- s) **Pour éviter que le bout de la broche ne touche le fond du trou du produit abrasif, utiliser des accessoires avec un trou fileté d'une profondeur d'au moins 21 mm.** L'utilisation d'un accessoire dont la profondeur du filetage n'est pas suffisante risque de causer des dommages au produit abrasif et des blessures à l'utilisateur ou à des personnes à proximité.
- t) **Le diamètre de l'axe des meules regroupées, des brides, des plaques de presse ou de tout autre accessoire doit s'ajuster à la tige de l'outil électrique.** Les accessoires ayant des alésages centraux qui ne correspondent pas au matériel de montage de l'outil électrique manqueront d'équilibre, vibreront de façon excessive.

Causes de l'effet de rebond et prévention par l'opérateur

L'effet de rebond est une réaction soudaine d'une meule, d'un tampon, d'une brosse ou d'un tout autre accessoire, en mouvement, qui est pincé ou qui s'accroche. Un pincement ou un accrochage provoque un arrêt rapide de l'accessoire en mouvement qui, à son tour, projette l'outil électrique, hors de maîtrise, dans la direction opposée à la rotation de l'outil au point de grippage.

Par exemple, si une meule abrasive se pince ou s'accroche dans la pièce, le bord de la meule introduite au point de pincement peut mordre dans la surface de la pièce et projeter la meule hors de la rainure. La meule peut être projetée vers l'opérateur ou dans la direction opposée selon le sens de rotation de la meule au point de pincement. Il est également possible que les meules abrasives se brisent dans ces conditions.

Un effet de rebond est le résultat d'une mauvaise utilisation de l'outil et/ou de procédures ou conditions de fonctionnement incorrectes. Il peut être évité en prenant les précautions nécessaires telles que décrites ci-dessous :

- a) **Saisir fermement l'outil électrique et positionner le corps et les bras de sorte à résister à la force de l'effet de rebond. Utiliser toujours la poignée auxiliaire, s'il y en a une, pour contrôler**
- au maximum l'effet de rebond ou le couple de réaction au démarrage.** Avec de bonnes précautions, l'opérateur est en mesure de contrôler le couple de réaction ou l'effet de rebond.
- b) **Ne jamais placer les mains près de l'accessoire en mouvement.** Il pourrait en effet être projeté sur celles-ci en cas de rebond.
- c) **Ne pas positionner le corps dans la trajectoire probable de l'outil électrique, en cas de rebond.** Au moment du grippage, l'outil sera projeté dans la direction opposée au déplacement de la meule.
- d) **Être particulièrement attentif lors de travaux dans un coin, sur des bords tranchants, etc. Éviter de faire rebondir l'accessoire. Éviter tout type de grippage de l'accessoire.** Un travail dans un coin ou sur des bords tranchants ou un travail en faisant rebondir l'accessoire provoquent souvent un grippage et une perte de maîtrise de l'outil ou un effet de rebond.
- e) **Ne pas fixer de lame de tronçonneuse pour sculpter le bois ou de lame de scie dentée.** Ces types de lames provoquent des effets de rebond et des pertes de maîtrise fréquents.

Avertissements de sécurité spécifiques aux opérations de meulage

- a) **Utiliser uniquement les types de meules recommandés pour l'outil électrique ainsi que le capot protecteur particulier conçu pour la meule sélectionnée.** Il est impossible de bien protéger l'opérateur lors de l'utilisation de meules non conçues pour l'outil. En effet, le capot protecteur sera alors inadéquat et l'utilisation de la meule, dangereuse.
- b) **La surface de meulage des meules à moyeu déporté doit être posée sous la contre plaque de la lèvre du carter.** Le carter aide à protéger l'utilisateur contre toute projection de fragments et contre tout contact accidentel avec la meule ainsi qu'à protéger les vêtements des étincelles qui pourraient les enflammer.
- c) **Il faut fixer solidement le capot protecteur à l'outil électrique et le positionner pour maximiser la sécurité de l'opérateur, soit en minimisant la surface exposée de la meule en direction de l'opérateur.** En effet, le capot protecteur sert à protéger l'opérateur contre la projection de fragments de meule brisée et de contact accidentel avec celle-ci.
- d) **Utiliser uniquement les meules pour les applications prévues pour chacune d'entre elles. Par exemple : ne pas meuler avec le bord d'une meule tronçonneuse.**
- e) **Toujours utiliser des brides de meule intactes, de la bonne dimension et de la forme appropriée pour la meule sélectionnée. Les brides de meule appropriées supportent bien la meule et réduisent ainsi la possibilité d'un bris de meule.**

Les brides conçues pour les meules tronçonneuses pourraient différer des brides pour meules à ponçage.

- f) **Ne pas utiliser de meule usée en provenance d'outil de dimension plus importante.** Ces meules, prévues pour un outil électrique plus grand, ne conviennent pas au régime plus élevé d'un outil de plus petite dimension et pourraient éclater.

Avertissements de sécurité spécifiques aux opérations de ponçage

- a) **Ne pas utiliser un papier pour disque abrasif excessivement surdimensionné. Respecter les recommandations des fabricants lors de la sélection du papier abrasif. Un papier abrasif plus grand que le plateau de ponçage représente un risque de lacération.** Le papier risque également de s'accrocher, de se déchirer ou de provoquer un effet de rebond.

Avertissements de sécurité spécifiques aux opérations utilisant une brosse métallique

- a) **Être attentif, car la brosse peut projeter des soies métalliques même lors de travaux normaux. Ne pas surcharger la brosse en appliquant une force excessive sur celle-ci.** Les soies métalliques pénètrent facilement les vêtements légers ou la peau.
- b) **Si l'utilisation d'un capot protecteur est recommandée avec la brosse métallique, s'assurer qu'il n'interfère pas avec la rotation de la brosse métallique à touret ou de la brosse métallique.** En cours de travail et sous la force centrifuge, le diamètre de la brosse métallique à touret ou de la brosse métallique s'accroît.
- c) **Des lunettes de protection ou une protection oculaire avec écrans latéraux et écran frontal total conforme à la norme ANSI Z87.1, doivent être portées par l'utilisateur ou tout autre individu dans un rayon de 15,2 m (50 pieds) de l'utilisation de ce produit.**

Additional Safety Warnings



AVERTISSEMENT : afin de réduire le risque de blessure, utilisez seulement les accessoires dont la valeur nominale est au moins égale à la vitesse indiquée sur l'outil.



AVERTISSEMENT : afin de réduire le risque de blessure, utilisez toujours des protecteurs appropriés lorsque vous meulez.



AVERTISSEMENT : ne pas utiliser des meules diamantées ou abrasives de coupe plate de type 1/41 dans protecteur approprié.



AVERTISSEMENT : la meule ou un accessoire pourrait se desserrer lors de l'arrêt graduel de l'outil une fois celui-ci mis hors tension. Si la meule ou l'accessoire se desserrait, il pourrait

se détacher de l'outil et poser ainsi des risques de dommages corporels graves.



AVERTISSEMENT : ne pas utiliser cet outil de façon prolongée. Les vibrations inhérentes à l'utilisation de cet outil posent des risques de dommages corporels permanents aux doigts, mains et bras. Utiliser des gants pour en atténuer l'impact, faire des pauses fréquentes, et en limiter l'usage journalier.



AVERTISSEMENT : lorsqu'elle est inutilisée, déposer la meuleuse sur une surface stable où elle sera immobile et ne risquera pas de rouler ou de faire trébucher ou chuter quiconque.



ATTENTION : pour réduire le risque de blessure corporelle, être encore plus prudent lors de travaux dans un coin ou sur un rebord. En effet, le contact inopiné de la meule ou d'un autre accessoire sur une surface indirecte ou un rebord pourrait provoquer un mouvement brusque et soudain de l'outil.

Consigne de sécurité supplémentaire



AVERTISSEMENT : porter **SYSTEMATIQUEMENT** des lunettes de protection. Les lunettes courantes NE sont PAS des lunettes de protection. Utiliser aussi un masque antipoussières si la découpe doit en produire beaucoup. **PORTER SYSTÉMATIQUEMENT UN ÉQUIPEMENT DE SÉCURITÉ HOMOLOGUÉ :**

- Protection oculaire ANSI Z87.1 (CAN/CSA Z94.3) ;
- Protection auditive ANSI S12.6 (S3.19) ;
- Protection des voies respiratoires NIOSH/OSHA/MSHA.



AVERTISSEMENT : les scies, meules, ponceuses, perceuses ou autres outils de construction peuvent produire des poussières contenant des produits chimiques reconnus par l'État californien pour causer cancers, malformations congénitales ou être nocifs au système reproducteur. Parmi ces produits chimiques, on retrouve :

- Le plomb dans les peintures à base de plomb ;
- La silice cristallisée dans les briques et le ciment, ou autres produits de maçonnerie ; et
- L'arsenic et le chrome dans le bois ayant subi un traitement chimique.

Le risque associé à de telles expositions varie selon la fréquence à laquelle on effectue ces travaux.

Pour réduire toute exposition à ces produits : travailler dans un endroit bien aéré, en utilisant du matériel de sécurité homologué, tel un masque antipoussières spécialement conçu pour filtrer les particules microscopiques.

- **Limiter toute exposition prolongée avec les poussières provenant du ponçage, sciage, meulage, perçage ou toute autre activité de construction. Porter des vêtements de protection et nettoyer à l'eau savonneuse les parties du corps exposées.** Le fait de laisser la poussière pénétrer dans la bouche, les yeux ou la peau peut favoriser l'absorption de produits chimiques dangereux.

AVERTISSEMENT : cet outil peut produire et/ou répandre de la poussière susceptible de causer des dommages sérieux et permanents au système respiratoire. Utiliser systématiquement un appareil de protection des voies respiratoires homologué par le NIOSH ou l'OSHA. Diriger les particules dans le sens opposé au visage et au corps.

AVERTISSEMENT : pendant l'utilisation, porter systématiquement une protection auditive individuelle adéquate homologuée ANSI S12.6 (S3.19). Sous certaines conditions et suivant la durée d'utilisation, le bruit émanant de ce produit pourrait contribuer à une perte de l'acuité auditive.

ATTENTION : après utilisation, ranger l'outil sur son côté, sur une surface stable, là où il ne pourra ni faire trébucher ni faire chuter quelqu'un.

Certains outils équipés d'un large bloc-piles peuvent tenir à la verticale sur celui-ci, mais manquent alors de stabilité. équipés d'un large bloc-piles

- **Prendre des précautions à proximité des événements, car ils cachent des pièces mobiles.** Vêtements amples, bijoux ou cheveux longs risquent de rester coincés dans ces pièces mobiles.

L'étiquette apposée sur votre outil peut inclure les symboles suivants. Les symboles et leur définition sont indiqués ci-après :

V..... volts	W..... watts
Hz..... hertz	~ or AC..... courant alternatif
min..... minutes	⎓ or AC/DC..... courant alternatif ou continu
— or DC..... courant continu	□..... fabrication classe II (double isolation)
Ⓢ..... fabrication classe I (mis à la terre)	n ₀ vitesse à vide
.../min..... par minute	n..... vitesse nominale
BPM..... battements par minute	⊕..... borne de terre
IPM..... impacts par minute	⚠..... symbole d'avertissement
RPM..... révolutions par minute	☠..... radiation visible
sfpm..... pieds linéaires par minute (plpm)	☼..... protection respiratoire
SPM (FPM)..... fréquence par minute	👁..... protection oculaire
OPM..... oscillations por minuto	👂..... protection auditive
A..... ampères	📖..... lire toute la documentation
.../min or ...min ⁻¹ Révolutions ou courses aller-retour par minute	3 ~..... Alimentation triphasée
2 ~..... tAlimentation à courant alternatif bifilaire	3N ~..... Alimentation triphasée avec neutre
2N ~..... Alimentation à courant alternatif bifilaire avec neutre	⏏..... Courant nominal du fusible adéquat en ampères
	⏏..... Là où un X est placé comme caractéristique du

courant vs temps, un fusible miniature différé selon la norme IEC 60127-3 est de mise. IPXX.....Symbole IP

⚠..... Éviter de regarder directement le flux de lumière.

BLOCS-PILES ET CHARGEURS

Le bloc-piles n'est pas totalement chargé d'usine. Avant d'utiliser le bloc-piles et le chargeur, lire les consignes de sécurité ci-après puis suivre la procédure de chargement indiquée. Pour commander un bloc-piles de rechange, s'assurer d'en inclure le numéro de catalogue et la tension.

LIRE TOUTES LES CONSIGNES

Consignes importantes de sécurité les blocs-pile

AVERTISSEMENT : lisez toutes les consignes de sécurité, les instructions et les symboles d'avertissements du bloc-piles, du chargeur et du produit. Tout manquement aux avertissements et instructions pose des risques de décharges électriques, d'incendie et/ou de blessures graves.

- **Ne pas recharger ou utiliser un bloc-piles en milieu déflagrant, en présence, par exemple, de poussières, gaz ou liquides inflammables.** Le fait d'insérer ou retirer un bloc-piles de son chargeur pourrait causer l'inflammation de poussières ou d'émanations.
 - **Lorsque non utilisé, garder le bloc-piles éloigné de petits objets métalliques comme des trombones, des attaches-feuilles, des pièces de monnaie, des clés, des clous et vis ou autres pièces qui pourraient court-circuiter les bornes.** Un court-circuit pourrait causer des brûlures ou un incendie.
 - **NE JAMAIS forcer l'insertion d'un bloc-piles dans un chargeur. NE modifier un bloc-piles d'AUCUNE façon pour le faire rentrer dans un chargeur incompatible, car il pourrait se briser et causer des dommages corporels graves.**
 - **Recharger les blocs-piles exclusivement dans des chargeurs CRAFTSMAN.**
 - **NE PAS** éclabousser le bloc-piles ou l'immerger dans l'eau ou dans tout autre liquide.
 - **Ne pas entreposer ou utiliser l'appareil et le bloc-piles en présence de températures ambiantes pouvant excéder 40 °C (104 °F) (comme dans des hangars ou des bâtiments métalliques l'été).** Pour préserver leur durée de vie, entreposer les blocs-piles dans un endroit frais et sec.
- REMARQUE** : ne pas mettre un bloc-piles dans un outil dont la gâchette est verrouillée en position de marche. Ne jamais bloquer l'interrupteur en position de MARCHÉ.
- **Ne pas incinérer le bloc-piles même s'il est sévèrement endommagé ou complètement usagé, car il pourrait exploser et causer un incendie.**

Pendant l'incinération des blocs-piles au lithium-ion, des vapeurs et matières toxiques sont dégagées.

- **En cas de contact du liquide de la pile avec la peau, rincer immédiatement au savon doux et à l'eau.** En cas de contact oculaire, rincer l'œil ouvert à l'eau claire une quinzaine de minutes ou jusqu'à ce que l'irritation cesse. Si des soins médicaux s'avèrent nécessaires, noter que l'électrolyte de la pile est composé d'un mélange de carbonates organiques liquides et de sels de lithium.
- **Le contenu des cellules d'une pile ouverte peut causer une irritation respiratoire.** En cas d'inhalation, exposer l'individu à l'air libre. Si les symptômes persistent, consulter un médecin.

! **AVERTISSEMENT :** risques de brûlure. Le liquide de la pile peut s'enflammer s'il est exposé à des étincelles ou à une flamme.

! **AVERTISSEMENT :** risques d'incendie. Ne jamais tenter d'ouvrir le bloc-piles pour quelque raison que ce soit. Si le boîtier du bloc-piles est fissuré ou endommagé, ne pas l'insérer dans un chargeur. Ne pas écraser, laisser tomber, ou endommager les blocs-piles. Ne pas utiliser un bloc-piles ou un chargeur qui a reçu un choc violent, ou si l'appareil est tombé, a été écrasé ou endommagé de quelque façon que ce soit (p. ex. percé par un clou, frappé d'un coup de marteau, piétiné). Les blocs-piles endommagés doivent être renvoyés à un centre de réparation pour être recyclés.

Recommandations de stockage

1. Le lieu idéal de rangement est un lieu frais et sec, à l'abri de toute lumière solaire directe et de toute température excessive.
2. Pour un stockage prolongé, il est recommandé d'entreposer le bloc-piles pleinement chargé dans un lieu frais et sec, hors du chargeur pour optimiser les résultats.

REMARQUE : les blocs-piles ne devraient pas être entreposés complètement déchargés. Il sera nécessaire de recharger le bloc-piles avant réutilisation.

Instructions d'entretien du blocs-pile

1. Éliminer toute saleté ou graisse de la surface externe du blocs-pile à l'aide d'un chiffon ou d'une brosse non métallique douce. N'utiliser ni eau ni aucun nettoyant liquide.

Le sceau SRPRC®

Le sceau SRPRC® (Société de recyclage des piles rechargeables du Canada) apposé sur une pile au nickel-cadmium, à hydrure métallique de nickel ou au lithium-ion (ou un bloc-piles) indique que les coûts de recyclage de ces derniers en fin d'utilisation ont déjà été réglés par CRAFTSMAN. Dans certaines régions, la mise au rebut ou aux ordures municipales des piles au nickel-cadmium, à l'hydrure métallique de nickel ou au lithium-ion, est illégale ; le programme de l'Appel à Recycler® constitue donc une solution pratique et écologique.



Appel à Recycler Canada, Inc., en collaboration avec CRAFTSMAN et d'autres utilisateurs de piles, a mis sur pied de programme aux États-Unis et au Canada pour faciliter la collecte des piles au nickel-cadmium, à l'hydrure métallique de nickel ou au lithium-ion usagées. Aidez-nous à protéger l'environnement et à conserver nos ressources naturelles en renvoyant les piles au nickel-cadmium, à l'hydrure métallique de nickel ou au lithium-ion usagées à un centre de réparation autorisé CRAFTSMAN ou chez votre détaillant afin qu'elles y soient recyclées. On peut en outre se renseigner auprès d'un centre de recyclage local pour connaître d'autres sites les acceptant. SRPRC® est une marque déposée de l'Appel à Recycler Canada, Inc. .

Transport

! **AVERTISSEMENT :** risques d'incendie. **Au moment de ranger ou transporter le bloc-piles, veiller à protéger ses bornes à découvert de tout objet métallique.** Par exemple, éviter de placer le bloc-piles dans un tablier, une poche, une boîte à outils ou un tiroir, etc. contenant des objets tels que clous, vis, clés, etc. **Le fait de transporter des blocs-piles comporte des risques d'incendie, car les bornes des piles pourraient entrer, par inadvertance, en contact avec des objets conducteurs, tels que : clés, pièces de monnaie, outils ou autres.** La réglementation sur les produits dangereux (Hazardous Material Regulations) du département américain des transports interdit, en fait, le transport des blocs-piles dans les commerces ou dans les avions dans les bagages de cabine, À MOINS qu'ils ne soient correctement protégés de tout court-circuit. Aussi lors du transport individuel de blocs-piles, s'assurer que leurs bornes sont bien protégées et isolées de tout matériau pouvant entrer en contact avec elles et provoquer un court-circuit. **REMARQUE :** il ne faut pas laisser de piles au LI-ION dans les bagages enregistrés.

Directives de sécurité importantes

propres à tous les chargeurs de piles

! **AVERTISSEMENT :** lisez toutes les consignes de sécurité, les instructions et les symboles d'avertissements du bloc-piles, du chargeur et du produit. Tout manquement aux avertissements et instructions pose des risques de décharges électriques, d'incendie et/ou de blessures graves.

- **NE PAS tenter de recharger le bloc-piles avec tout autre chargeur qu'une unité CRAFTSMAN.** Le chargeur CRAFTSMAN et son bloc-piles sont conçus spécialement pour fonctionner conjointement.
- **Ces chargeurs n'ont pas été conçus pour une utilisation autre que recharger les blocs-piles rechargeables CRAFTSMAN.** Toute autre utilisation comporte des risques d'incendie, de chocs électriques ou d'électrocution.
- **Protéger le chargeur de la pluie ou de la neige.**
- **Tirer sur la fiche plutôt que sur le cordon pour débrancher le chargeur.** Cela permet de

FRANÇAIS

réduire les risques d'endommager la fiche ou le cordon d'alimentation.

- **S'assurer que le cordon est protégé de manière à ce que personne ne marche ni ne trébuche dessus, ou à ce qu'il ne soit ni endommagé ni soumis à aucune tension.**
- **N'utiliser une rallonge qu'en cas de nécessité absolue.** L'utilisation d'une rallonge inadéquate comporte des risques d'incendie, de chocs électriques ou d'électrocution.
- **Pour utiliser un chargeur à l'extérieur, le placer dans un endroit sec et utiliser une rallonge conçue pour l'extérieur.** L'utilisation d'une rallonge conçue pour l'extérieur réduit les risques de chocs électriques.
- **Pour la sécurité de l'utilisateur, utiliser une rallonge de calibre adéquat (AWG, American Wire Gauge [calibrage américain normalisé des fils électriques]).** Plus le calibre est petit, et plus sa capacité est grande. Un calibre 16, par exemple, a une capacité supérieure à un calibre 18. L'usage d'une rallonge de calibre insuffisant causera une chute de tension qui entraînera perte de puissance et surchauffe. Si plus d'une rallonge est utilisée pour obtenir une certaine longueur, s'assurer que chaque rallonge présente au moins le calibre de fil minimum. Le tableau ci-dessous illustre les calibres à utiliser selon la longueur de rallonge et l'intensité nominale indiquée sur la plaque signalétique. En cas de doute, utiliser le calibre suivant. Plus le calibre est petit, plus la rallonge peut supporter de courant.

Calibre minimum pour les cordons d'alimentation

Volts		Longueur totale du cordon d'alimentation en mètre (pieds)			
120 V		7,6 (25)	15,2 (50)	30,5 (100)	45,7 (150)
240 V		15,2 (50)	30,5 (100)	61,0 (200)	91,4 (300)
Ampères		AWG			
Plus que	Pas plus que				
0	6	18	16	16	14
6	10	18	16	14	12
10	12	16	16	14	12
12	16	14	12	Non recommandé	

- **Ne poser aucun objet sur le chargeur. Ne pas mettre le chargeur sur une surface molle qui pourrait en bloquer la ventilation et provoquer une surchauffe interne.** Éloigner le chargeur de toute source de chaleur. Le chargeur dispose d'orifices d'aération sur le dessus et le dessous du boîtier.
- **Ne pas le faire fonctionner avec un cordon d'alimentation ou une fiche endommagée**—les remplacer immédiatement.
- **Ne pas utiliser le chargeur s'il a reçu un coup, fait une chute ou a été endommagé de quelque façon que ce soit.** Le ramener dans un centre de réparation agréé.
- **Ne pas démonter le chargeur. Pour tout service ou réparation, le rapporter dans un centre de réparation agréé.** Le fait de le réassembler de façon incorrecte comporte des risques de chocs électriques, d'électrocution et d'incendie.

- **Débrancher le chargeur du secteur avant tout entretien. Cela réduira tout risque de chocs électriques.** Le fait de retirer le bloc-piles ne réduira pas ces risques.
- **NE JAMAIS tenter de connecter 2 chargeurs ensemble.**
- **Le chargeur a été conçu pour être alimenté en courant électrique domestique standard de 120 volts. Ne pas tenter de l'utiliser avec toute autre tension.** Cela ne s'applique pas aux chargeurs de postes mobiles.



AVERTISSEMENT : risques de chocs électriques. Ne laisser aucun liquide pénétrer dans le chargeur, des chocs électriques pourraient en résulter



AVERTISSEMENT : risques de brûlure. Ne submerger le bloc-piles dans aucun liquide et le protéger de toute infiltration de liquide. Ne jamais tenter d'ouvrir le bloc-piles pour quelque raison que ce soit. Si le boîtier plastique du bloc-piles est brisé ou fissuré, le retourner dans un centre de réparation pour y être recyclé.



ATTENTION : risques de brûlure. Pour réduire tout risque de dommages corporels, ne recharger que des blocs-piles rechargeables CRAFTSMAN. Tout autre type de piles pourrait exploser et causer des dommages corporels et matériels.



ATTENTION : sous certaines conditions, lorsque le chargeur est connecté au bloc d'alimentation, des matériaux étrangers pourraient court-circuiter le chargeur. Les corps étrangers conducteurs tels que (mais pas limité à) poussières de rectification, débris métalliques, laine d'acier, feuilles d'aluminium, ou toute accumulation de particules métalliques doivent être maintenus à distance des orifices du chargeur. Débrancher systématiquement le chargeur lorsque le bloc-piles n'y est pas inséré. Débrancher systématiquement le chargeur avant tout entretien.

Chargement du bloc-piles

REMARQUE : afin d'assurer la performance et la vie maximales des blocs-piles au lithium-ion, chargez complètement le bloc-pile avant la première utilisation.

1. Branchez le chargeur dans une prise appropriée avant d'insérer le bloc-piles.
2. Branchez le chargeur et le bloc-piles en vous assurant que le bloc-piles est bien mis en place. Le voyant rouge (chargement) clignotera sans cesse indiquant que le processus de chargement est commencé.
3. La fin de la recharge sera indiquée par le voyant qui demeurera allumé de façon continue. Le bloc-piles est complètement chargé et peut être retiré utilisé à ce moment ou laissé dans le chargeur.

REMARQUE : pour retirer le bloc-piles, on doit appuyer sur le bouton de libération du bloc-piles sur certains chargeurs.

Indicators



Bloc-piles en Cours de Chargement



Bloc-piles Chargé



Indicators



Suspension de Charge Contre le Chaud/Froid



Le chargeur ne chargera pas un bloc-piles défectueux. Un chargeur ne se mettant pas en fonction pourrait être défectueux.

REMARQUE : si le chargeur ne se met pas en fonction, faites tester le chargeur et le bloc-piles à un centre de service autorisé.

Fonction de suspension de charge contre le chaud/froid

Lorsque le chargeur détecte un bloc-piles trop chaud ou trop froid, il démarre automatiquement la fonction de suspension de charge contre le chaud, suspendant le chargement jusqu'à ce que le bloc-piles ait repris une température appropriée. Le chargeur ensuite se remettra automatiquement en mode de chargement. Cette caractéristique assure aux blocs-piles une durée de vie maximale.

Un bloc-piles froid peut recharger moins vite qu'un bloc-piles chaud.

Remarques importantes concernant le chargement

1. Pour augmenter la durée de vie du bloc-piles et optimiser son rendement, le recharger à une température ambiante de 18 ° à 24 °C (65 °F à 75 °F). NE PAS charger lorsque le bloc-piles est en dessous de +4,5 °C (+40 °F) ou au-dessus de +40 °C (+104 °F). C'est important pour prévenir tout dommage sérieux au bloc-piles.
2. Le chargeur et son bloc-piles peuvent devenir chauds au toucher pendant la charge. C'est normal et ne représente en aucun cas une défaillance du produit. Pour faciliter le refroidissement du bloc-piles après utilisation, évitez de laisser le chargeur ou le bloc-piles dans un local où la température ambiante est élevée comme dans un hangar métallique ou une remorque non isolée.
3. Si le bloc-piles ne se recharge pas correctement :
 - a. Vérifier le bon fonctionnement de la prise en y branchant une lampe ou tout autre appareil électrique.
 - b. Vérifier que la prise n'est pas contrôlée par un interrupteur qui coupe le courant lorsqu'on éteint les lumières.
 - c. Déplacer le chargeur et le bloc-piles dans un local où la température ambiante se trouve entre environ 18 ° et 24 °C (65 °F et 75 °F).
 - d. Si le problème persiste, amener l'outil, le bloc-piles et son chargeur dans un centre de réparation local.
4. Recharger le bloc-piles lorsqu'il ne produit plus assez de puissance pour effectuer un travail qu'il faisait facilement auparavant. NE PAS CONTINUER à l'utiliser dans ces conditions. Suivre la procédure de charge. Si nécessaire, il est aussi possible de recharger

un bloc-piles partiellement déchargé sans effet nuisible sur le bloc-piles.

5. Les corps étrangers conducteurs tels que (mais pas limité à) poussières de rectification, débris métalliques, laine d'acier, feuilles d'aluminium, ou toute accumulation de particules métalliques doivent être maintenus à distance des orifices du chargeur. Débrancher systématiquement le chargeur lorsque le bloc-piles n'y est pas inséré. Débrancher systématiquement le chargeur avant tout entretien.
6. Ne pas congeler ou immerger le chargeur dans l'eau ou tout autre liquide.

Instructions d'entretien du chargeur



AVERTISSEMENT : risques de chocs électriques.

Débrancher le chargeur de la prise de courant alternatif avant tout entretien. Éliminer toute saleté ou graisse de la surface externe du chargeur à l'aide d'un chiffon ou d'une brosse non métallique douce. N'utiliser ni eau ni aucun nettoyeur liquide.

Installation murale

Ces chargeurs ont été conçus pour une installation murale ou pour être posés sur une table ou une surface de travail. Pour une fixation murale, installez le chargeur à proximité d'une prise électrique, et à l'écart de coins ou de toute autre obstruction au passage de l'air. Utilisez l'arrière du chargeur pour marquer l'emplacement des vis de montage sur le mur. Fixez soigneusement le chargeur à l'aide de vis autoforeuses (vendues séparément) d'au moins 25,4 mm (1 po) de long, et de diamètre de tête de 7-9 mm (0,28–0,35 po), que vous visserez dans le bois en laissant une longueur optimale d'environ 5,5 mm (7/32 po) exposée. Alignez les orifices à l'arrière du chargeur sur les vis exposées et insérez à fond ces dernières dans les orifices.

Versatrack

Les chargeurs CRAFTSMAN peuvent être installés au mur à l'aide des fixations VersaTrack de CRAFTSMAN. Les crochets et les accessoires sont vendus séparément. Veuillez consulter la feuille d'accessoires des fixations VersaTrack pour de plus amples renseignements.

CONSERVER CES CONSIGNES POUR UTILISATION ULTÉRIEURE

DESCRIPTION (FIG. A)

Usage prévu

Votre meuleuse à petit angle a été conçue pour un usage domestique pour des applications de meulage, de sablage, de nettoyage avec une brosse.

NE PAS les utiliser en milieu ambiant humide ou en présence de liquides ou de gaz inflammables.

NE PAS le laisser à la portée des enfants. Une supervision est nécessaire auprès de tout utilisateur non expérimenté.

ASSEMBLAGE ET AJUSTEMENTS

⚠ AVERTISSEMENT : afin de réduire le risque de blessure corporelle, éteignez l'appareil et retirez le bloc-piles avant d'effectuer tout ajustement ou de retirer/installer des pièces ou des accessoires. Un déclenchement accidentel du démarrage peut causer des blessures.

Fixation de la poignée auxiliaire (Fig. A)

⚠ AVERTISSEMENT : utiliser EN TOUT TEMPS cette poignée pour conserver la pleine maîtrise de l'outil. S'assurer que la poignée est solidement fixée.

Vissez solidement la poignée auxiliaire **7** dans un des trous de montage filetés du boîtier d'engrenage.

Assemblage du capot protecteur

Assemblage et retrait du capot protecteur (Type 27)

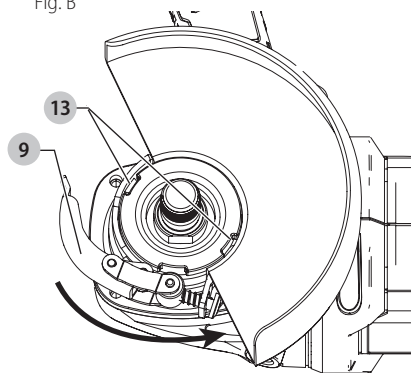
⚠ ATTENTION : afin de réduire le risque de blessure corporelle, éteignez l'appareil et retirez le bloc-piles avant d'effectuer tout ajustement ou de retirer/installer des pièces ou des accessoires.

REMARQUE : Les protecteurs doivent être utilisés avec les meules de meulage, les disques à lamelles de sablage, les brosses métalliques et les brosses métalliques circulaires. L'outil peut être utilisé sans protecteur seulement lors du sablage avec des disques de sablage conventionnel. Le protecteur conçu pour être utilisé avec des meules à moyeu déporté (type 27) et les meules de meulage regroupées (type 27). Le même protecteur est conçu pour être utilisé avec des disques à lamelles de sablage (types 27 et 29) et des brosses métalliques circulaires.

Assemblage du capot protecteur (Fig. B)

1. Ouvrez levier de libération du protecteur **9** et alignez les languettes sur le protecteur **13** avec les fentes sur le capot du boîtier d'engrenage.
2. Enfoncer le capot jusqu'à ce que les pattes de celui-ci s'engagent et tournent librement dans les rainures du moyeu du carter d'engrenage.
3. Tourner le capot protecteur à la position de travail voulue alors que le verrou est désengagé. Le corps du capot devrait être placé entre la broche et l'opérateur pour maximiser la protection de ce dernier.
4. Engager le verrou du capot protecteur pour le fixer sur le carter d'engrenage. Une fois le verrou engagé, il devrait être impossible de faire tourner le capot à la main. Ne pas utiliser la meuleuse avec un capot protecteur lâche ou un levier de serrage en position ouverte.

Fig. B

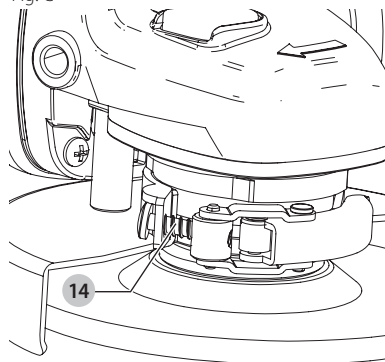


Retirer le capot protecteur (Fig. B, C)

Pour retirer le capot protecteur, dégager le verrou du capot, faire tourner le capot de sorte que les pattes du capot protecteur **13** s'alignent avec les fentes du couvercle du carter d'engrenage, puis tirer sur le capot.

REMARQUE : le capot protecteur est préréglé en usine pour correspondre au diamètre du moyeu du carter d'engrenage. Si, après un certain temps, le capot protecteur se desserre, visser la vis de réglage **14** avec le verrou en position fermée et le capot inséré sur l'outil.

Fig. C



⚠ ATTENTION : ne pas serrer la vis de réglage avec le verrou en position ouverte. Une telle pratique pourrait endommager le capot protecteur ou le moyeu de montage de façon imperceptible. S'il est impossible de resserrer le capot protecteur à l'aide de son verrou, ne pas utiliser l'outil. Rappporter l'outil et le capot à un centre de réparation pour réparer ou remplacer le capot protecteur.

Brides et meules

⚠ ATTENTION : afin de réduire le risque de blessure corporelle, éteignez l'appareil et retirez le bloc-piles avant d'effectuer tout ajustement ou de retirer/installer des pièces ou des accessoires.

Installation de meules sans moyeu (Fig. A, D, E)

AVERTISSEMENT : toute installation incorrecte de bride et/ou meule pose des risques de dommages corporels et matériels graves (outil ou meule).

ATTENTION : les brides incluses avec l'outil doivent être utilisées avec les meules à moyeu déporté de type 27/42. Se reporter à la section **Tableau des accessoires** pour plus d'informations.

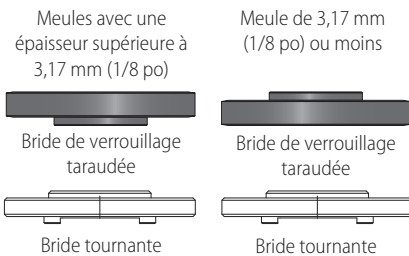
AVERTISSEMENT : l'utilisation de brides ou carters endommagés ou tout manquement à utiliser des brides et carters adéquats pose des risques de dommages corporels dus à l'éclatement de la meule ou par contact avec la meule. Se reporter à la section **Tableau des accessoires** pour plus d'informations.

Utiliser les brides fournies avec les meules à moyeu déporté de type 27.

1. Disposez l'outil sur une table, avec le carter sur le dessus.
2. Enfiler la contre-bride non filetée **5** sur la broche **3** avec la section surélevée (d'entraînement) contre la meule.
3. Appuyer la meule **15** contre la contre-bride en la centrant sur la section surélevée (d'entraînement) de la contre-bride.
4. Tout en enfonçant le bouton de verrouillage de la broche **6**, serrer l'écrou de serrage fileté avec la clé comprise.

REMARQUE : Si la meuleuse que vous installez est plus de 3,17 mm (1/8 po) d'épaisseur, placez la bride de verrouillage à visser sur la tige pour que la section élevée (guide) se fixe au centre de la meule. Si la meuleuse que vous installez a une épaisseur de 3,17 mm (1/8 po) ou moins, placez une bride de verrouillage à visser sur la tige pour que la section élevée (guide) ne soit pas contre la meule.

Fig. D



5. Pour retirer la meule, enfoncer le bouton de verrouillage de la broche et desserrer l'écrou de serrage fileté avec la clé comprise.

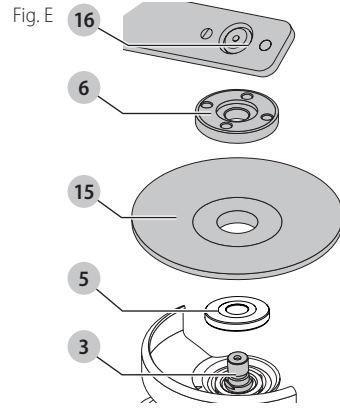


Fig. E

Installation de tampons de soutien de ponçage (Fig. F)

REMARQUE : l'utilisation d'un carter avec des meules abrasives utilisant des tampons de soutien, souvent appelés disques en fibre de résine, n'est pas requise. Comme l'utilisation d'un carter n'est pas requise avec ces accessoires, le carter n'a pas à cadrer parfaitement en cas d'utilisation.

AVERTISSEMENT : toute installation incorrecte d'écrou de blocage et/ou de tampon pose des risques de dommages corporels et matériels graves (outil ou meule).

AVERTISSEMENT : un carter adéquat doit être réinstallé pour le meulage, le ponçage à lamelles, le broissage métallique ou le broissage métallique à touret une fois le ponçage terminé.

1. Placez ou vissez correctement le tampon de soutien **17** sur la broche.
2. Placez la meule abrasive **18** sur le tampon de soutien **17**.
3. Tout en appuyant sur le bouton de verrouillage de broche **4**, vissez l'écrou de blocage de meule **19** sur la broche, en guidant le moyeu bombé sur l'écrou de blocage dans le centre de la meule abrasive et du tampon de soutien.
4. Resserrez l'écrou de blocage à la main. Puis appuyez sur le bouton de verrouillage de la broche tout en tournant la meule abrasive jusqu'à ce que la meule abrasive et l'écrou de blocage soient bien resserrés.
5. Pour retirer la meule, attrapez et tournez le tampon de soutien et le tampon ponçeur tout en poussant sur le bouton de verrouillage de la broche.

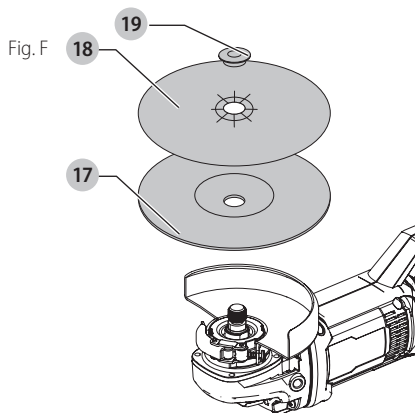


Fig. F

Installation et retrait des meules à moyeu (Fig. A)

Les meules à moyeu s'installent directement sur la broche. Le filetage des accessoires doit correspondre à celui de la broche.

1. Retirez la bride de soutien en la tirant hors de l'outil.
2. Vissez la meule sur la broche **3** manuellement.
3. Appuyez sur le bouton de verrouillage de la broche **4** et resserrez à l'aide d'une clé le moyeu de la meule.
4. Inversez la procédure ci-dessus pour retirer la meule.

AVIS : le fait de ne pas installer correctement la meule avant le démarrage de l'outil pose des risques d'endommager l'outil ou la meule.

Installation de brosses coupelle et brosses métalliques (Fig. A)

⚠ AVERTISSEMENT : toute installation incorrecte de brosse/meule pose des risques de dommages corporels et matériels graves (outil ou meule).

⚠ ATTENTION : pour réduire tout risque de dommages corporels, porter des gants de travail pour manipuler les brosses métalliques et meules. Elles pourraient être acérées.

⚠ ATTENTION : pour réduire tout risque d'endommager l'outil, les meules ou brosses ne doivent pas toucher le carter lors de leur installation ou utilisation. Des dommages indétectables peuvent affecter l'accessoire et faire que les fils métalliques se détachent de la meule ou du boisseau.

Les brosses coupelle et métalliques s'installent directement sur la broche taraudée de la meuleuse sans l'aide de brides. Utilisez uniquement les brosses métalliques ou les meules fournies avec un moyeu taraudé. Ces pièces sont vendues séparément chez votre distributeur local ou dans les centres de réparation agréés.

1. Disposez l'outil sur une table, avec le carter sur le dessus.
2. Vissez la meule sur la broche manuellement.
3. Appuyez sur le bouton de verrouillage de la broche **4** et resserrez à l'aide d'une clé le moyeu de la meule ou la brosse métallique.
4. Pour retirer la meule, inversez la procédure ci-dessus.

AVIS : pour réduire tout risque d'endommager l'outil, installer soigneusement le moyeu de la meule avant de mettre l'outil en marche.

Avant toute utilisation

- Installez le carter et le disque ou la meule appropriés. N'utilisez pas de disques ou meules excessivement émoussés.
- Assurez-vous que la bride de soutien et la bride de verrouillage taraudée sont correctement installées. Suivez les instructions de la section **Tableau des accessoires**.
- Assurez-vous que le disque ou la meule tourne dans le sens des flèches sur l'accessoire et l'outil.
- N'utilisez pas d'accessoire endommagé. Avant toute utilisation, vérifiez que les accessoires, comme les meules abrasives, tampons de soutien, ne comportent aucune fissure ou cassure, ou ne sont affectés d'aucune usure excessive, et que les fils des brosses métalliques ne sont ni lâches ni endommagés. En cas de chute, vérifiez que l'outil électrique ou l'accessoire n'a pas été endommagé, et remplacez toute pièce abîmée. Après avoir inspecté et installé un accessoire, positionnez-vous, ainsi que tout individu présent, hors du plan de rotation de l'accessoire et laissez tourner l'outil une minute à sa vitesse à vide maximale. En général, les accessoires endommagés se brisent pendant le temps d'essai.

FONCTIONNEMENT

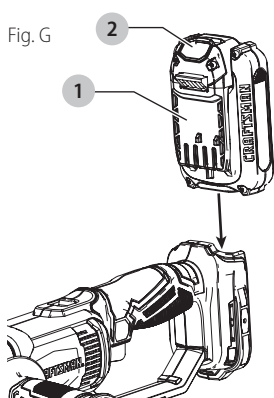
⚠ AVERTISSEMENT : afin de réduire le risque de blessure corporelle, éteignez l'appareil et retirez le bloc-piles avant d'effectuer tout ajustement ou de retirer/installer des pièces ou des accessoires. Un déclenchement accidentel du démarrage peut causer des blessures.

Installation et retrait du bloc-piles (Fig. G)

REMARQUE : pour des résultats optimaux, s'assurer que le bloc-piles est complètement chargé.

Pour installer le bloc-piles **1** dans la poignée de l'outil, alignez le bloc-piles sur les rails dans la poignée de l'outil et faites-le glisser fermement en place puis vérifiez qu'il ne s'en détachera pas.

Pour retirer le bloc-piles de l'outil, poussez sur le bouton de libération **2** et tirez fermement le bloc-piles hors de la poignée de l'outil. Insérez-le dans son chargeur comme décrit dans la section appropriée de ce manuel.



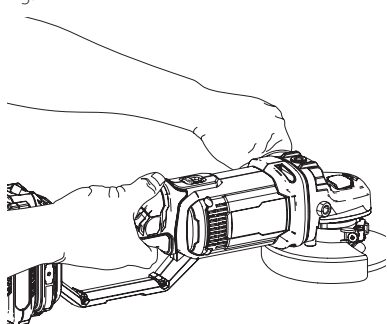
Position correcte des mains (Fig. A, H)

⚠ AVERTISSEMENT : pour réduire tout risque de dommages corporels graves, adopter **SYSTÉMATIQUEMENT** la position des mains illustrée.

⚠ AVERTISSEMENT : pour réduire tout risque de dommages corporels graves, maintenir **SYSTÉMATIQUEMENT** l'outil fermement pour anticiper toute réaction soudaine.

La position correcte des mains requiert une main sur la poignée latérale **7**, et l'autre sur le corps de l'outil.

Fig. H



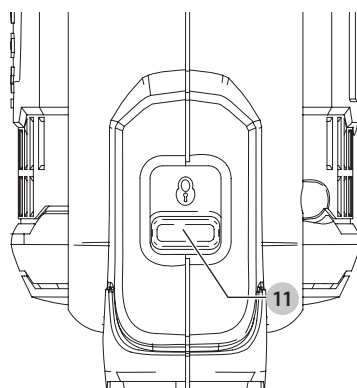
Bouton de verrouillage et détente (Fig. I–K)

L'outil de tronçonnage est muni d'un bouton de verrouillage **11**.

- Pour verrouiller la détente **10**, déplacer le bouton de verrouillage **11** vers l'arrière comme l'illustre la Figure I. Lorsque le bouton de verrouillage est mis dans cette position, la détente est verrouillée.

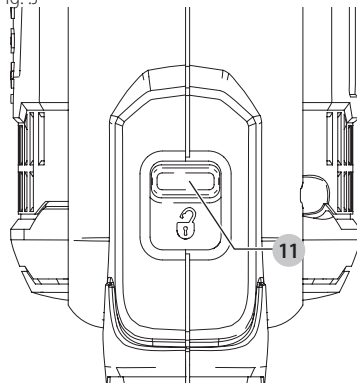
REMARQUE : toujours verrouiller la détente lors du transport ou du rangement de l'outil pour empêcher tout démarrage involontaire.

Fig. I



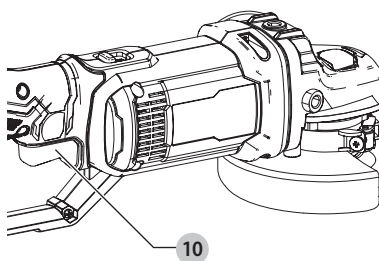
- Pour déverrouiller la détente déplacer le bouton de verrouillage vers l'avant. Lorsque le bouton de verrouillage est mis dans cette position, la détente est déverrouillée.

Fig. J



- Enfoncer la détente **10** pour mettre le moteur en MARCHÉ. La relâcher et le moteur S'ARRÊTE.

Fig. K



REMARQUE : cet outil n'est doté d'aucun dispositif permettant de verrouiller la détente en position MARCHÉ et l'outil ne doit jamais être verrouillé dans cette position par quelque moyen que ce soit.

FRANÇAIS

Saisir fermement la poignée auxiliaire 7 et le corps de l'outil pour le maîtriser à l'amorçage, en cours de fonctionnement et jusqu'à l'arrêt complet de la meule ou de l'accessoire. S'assurer que la meule soit vraiment immobile avant de déposer l'outil.

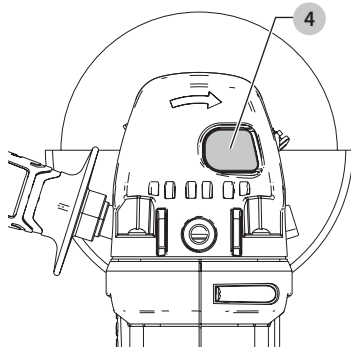
Laisser l'outil atteindre son plein régime avant de toucher la surface de la pièce avec l'outil. Soulever l'outil de la surface de la pièce avant d'arrêter le moteur.

Dispositif de verrouillage de la broche

(Fig. L)

1. Le bouton de verrouillage de la broche 4 est fourni pour empêcher la rotation de la broche lors de l'installation ou du retrait de meules. Manipuler uniquement le dispositif de verrouillage de la broche lorsque l'outil est éteint, le bloc-piles retiré et la meule complètement immobile.
2. Ne pas engager le dispositif de verrouillage de la broche tandis que l'outil fonctionne. Une telle pratique risque d'endommager l'outil. L'accessoire fixé à l'outil risque d'être projeté et d'entraîner des blessures.
3. Pour engager le dispositif de verrouillage, enfoncer le bouton de verrouillage de la broche illustré dans la Figure L, puis tourner la broche jusqu'à ce qu'elle se bloque.

Fig. L



Meulage de finition, ponçage et brossage métallique (Fig. M)

ATTENTION : utiliser systématiquement un carter adéquat conformément aux instructions de ce guide d'utilisation.

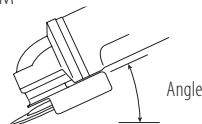
AVERTISSEMENT : accumulation de poussières métalliques. L'utilisation intensive de disques à lamelles sur des applications métalliques pourra augmenter les risques de chocs électriques. Pour réduire ces risques, insérer un DCR avant chaque utilisation et nettoyer les fentes d'aération quotidiennement en pulsant de l'air comprimé dans les fentes conformément aux instructions d'entretien ci-après.

Pour travailler la surface d'une pièce :

1. Laissez l'outil tourner à plein régime avant de le mettre en contact avec la surface à travailler.

2. Appliquez un minimum de pression sur la surface à travailler, pour permettre à l'outil de fonctionner à sa vitesse maximum. Le rythme du retrait du matériau est supérieur lorsque l'outil fonctionne à grande vitesse.

Fig. M



3. Maintenez l'angle approprié entre l'outil et la surface de travail. Reportez-vous à la partie du tableau correspondant à la fonction particulière.

Fonction	Angle
Meulage	20° - 30°
Ponçage avec disques à lamelles	5° - 10°
Ponçage avec tampon de soutien	5° - 15°
Brossage métallique	5° - 10°

4. Maintenez le contact entre le bord de la meule et la surface de travail.
 - Lors du meulage ou du ponçage avec des disques à lamelles ou des brosses métalliques, déplacez continuellement l'outil par va-et-vient pour éviter de creuser la surface.
 - Lors du ponçage avec un tampon de soutien, déplacez l'outil continuellement en ligne droite pour éviter de brûler ou rayer la surface de travail.

REMARQUE : les pièces en mouvement de l'outil peuvent endommager la surface de travail.

5. Retirez l'outil de la pièce à travailler avant de l'arrêter. Laissez l'outil s'arrêter complètement de tourner avant de le poser.

ATTENTION : prendre des précautions supplémentaires lors du travail de bordure, car la meuleuse pourrait faire un mouvement brutal soudain.

Précautions à prendre lors du travail sur une surface peinte

1. Le ponçage à la ponceuse ou la brosse métallique des peintures à base de plomb N'EST PAS RECOMMANDÉ, car il est difficile de se protéger contre les poussières contaminées. L'empoisonnement au plomb présente le plus grand danger pour les enfants et les femmes enceintes.
2. Comme il est difficile d'identifier si la peinture contient ou non du plomb sans effectuer une analyse chimique, nous vous recommandons de prendre les précautions suivantes lors du ponçage de toutes les peintures.

Protection de l'individu

1. Aucun enfant ou femme enceinte ne devrait pénétrer sur les lieux de travail lors du ponçage ou brossage métallique et tant que ces lieux n'auront pas été nettoyés complètement.
2. Toute personne entrant dans la zone de travail devrait porter un masque anti-poussières ou un appareil respiratoire. Le filtre doit en être remplacé quotidiennement ou chaque fois que l'utilisateur commence à avoir des difficultés à respirer.

REMARQUE : utiliser exclusivement une protection des voies respiratoires adéquate pour le travail sur les peintures au plomb produisant poussières ou émanations. Les masques ordinaires n'offrent pas ce niveau de protection. Se renseigner auprès de son quincaillier local pour obtenir la liste des masques anti-poussières approuvés par le NIOSH.

3. NE PAS MANGER, BOIRE OU FUMER sur les lieux de travail pour prévenir l'ingestion de particules de peinture contaminées. Il est recommandé aux ouvriers de se laver et changer AVANT de manger, boire ou fumer. Ne pas laisser sur les lieux de travail, là où la poussière pourrait s'y déposer, nourriture, boisson, cigarette ou autre produit de consommation.

Protection de l'environnement

1. La peinture devrait être retirée de façon à minimiser la quantité de poussières générées.
2. Les lieux où la peinture est retirée devraient être isolés avec des panneaux de plastique de 4 mils d'épaisseur.
3. Le ponçage devrait être effectué de manière à réduire toute propagation des poussières de peinture hors des lieux de travail.

Nettoyage et élimination

1. Passez quotidiennement l'aspirateur sur les lieux de travail et nettoyez-les soigneusement pendant toute la durée du projet de ponçage. Changez fréquemment les filtres d'aspirateur.
2. Recueillez toute toile de protection plastifiée utilisée et s'en défaire avec toute particule de poussière ou autre débris à éliminer. Placez-les dans un contenant hermétique pour déchets et jetez-les conformément à la procédure normale d'élimination des ordures. Pendant le nettoyage, maintenez à distance de la zone immédiate de travail les enfants ou femmes enceintes.
3. Nettoyez soigneusement jouets, meubles lavables, et tout ustensile utilisés par les enfants avant toute nouvelle réutilisation.

Meulage Angulaires

Ne pas meulage angulaire avec cet outil puissant.

Utilisation des tampons pour le ponçage

Sélectionner le grain du disque abrasif en fonction du travail à exécuter. Les disques de ponçage sont offerts en plusieurs grains. Un grain grossier enlève la matière plus rapidement et permet un premier dégrossissage. Un grain fin enlève la matière plus lentement et produit un fini plus régulier.

Commencer le travail avec un grain grossier pour un dégrossissage rapide. Puis utiliser un papier abrasif à grain moyen puis à grain fin pour optimiser la finition.

Disques de ponçage	Grain
Grain grossier	16–30
Grain moyen	36–80
Grain fin pour la finition	100–120
Grain très fin pour la finition	150–180

1. Laisser l'outil atteindre son plein régime avant de toucher la surface de la pièce avec l'outil.

2. Appliquer un minimum de pression sur la surface de la pièce et laisser l'outil fonctionner à haute vitesse. Le ponçage est à son meilleur à vitesse élevée.
3. Fig. M - Maintenir un angle de 5° à 15° entre l'outil et la surface de la pièce. Le disque abrasif devrait toucher environ 25 mm (1 po) de la surface de la pièce.
4. Déplacer constamment l'outil en ligne droite pour empêcher le disque de brûler ou de tracer des sillons sur la surface de la pièce. Les marques de brûlure ou de sillons sont provoquées par un outil en fonctionnement, immobile sur la pièce, ou par le déplacement de celui-ci en cercles.
5. Soulever l'outil de la surface de la pièce avant d'arrêter le moteur. Permettre l'immobilisation complète de l'outil avant de le déposer.

Utilisation de brosses forme coupelle et de brosses métalliques à touret

Les brosses métalliques à touret et à coupelle enlèvent la rouille, décappent la peinture et égalisent les surfaces irrégulières.

REMARQUE : suivre les mêmes précautions lors de l'utilisation de brosses sur la peinture que lors du ponçage de peinture.

1. Laisser l'outil atteindre son plein régime avant de toucher la surface de la pièce avec l'outil.
2. Appliquer un minimum de pression sur la surface de la pièce et laisser l'outil fonctionner à haute vitesse. L'enlèvement de matière est à son meilleur à vitesse élevée.
3. Maintenir un angle de 5° à 10° entre l'outil et la surface de travail pour les brosses forme coupelle.
4. Pour le travail avec les brosses métalliques à touret, maintenir le contact entre le bord de la brosse et la surface de la pièce.
5. Déplacer constamment l'outil en imprimant un mouvement de va-et-vient pour prévenir la formation d'entailles sur la surface de travail. Les marques de brûlure ou de sillons sont provoquées par un outil en fonctionnement, immobile sur la pièce, ou par le déplacement de celui-ci en cercles.
6. Soulever l'outil de la surface de la pièce avant d'arrêter le moteur. Permettre l'immobilisation complète de l'outil avant de le déposer.
7. Prêter une attention particulière lors du travail sur les bords de pièces. En effet, il se pourrait qu'à ces endroits l'outil se déplace brusquement de façon inopinée.

MANTENANCE

⚠ AVERTISSEMENT : afin de réduire le risque de blessure corporelle, éteignez l'appareil et retirez le bloc-piles avant d'effectuer tout ajustement ou de retirer/installer des pièces ou des accessoires. Un déclenchement accidentel du démarrage peut causer des blessures.

Nettoyage

⚠ AVERTISSEMENT : enlever les saletés et la poussière hors des événements au moyen d'air comprimé propre et sec, au moins une fois par semaine. Pour minimiser le risque de blessure aux yeux, toujours porter une protection oculaire conforme à la norme ANSI Z87.1 lors du nettoyage.

⚠ AVERTISSEMENT : ne jamais utiliser de solvants ni d'autres produits chimiques puissants pour nettoyer les pièces non métalliques de l'outil. Ces produits chimiques peuvent affaiblir les matériaux de plastique utilisés dans ces pièces. Utiliser un chiffon humecté uniquement d'eau et de savon doux. Ne jamais laisser de liquide pénétrer dans l'outil et n'immerger aucune partie de l'outil dans un liquide.

L'entretien périodique doit comprendre le nettoyage à l'air comprimé du carter du moteur pour éliminer la poussière et les particules métalliques ou abrasives logées à l'intérieur de celui-ci. Ces dernières tendent en effet à s'accumuler sur les surfaces internes et peuvent engendrer des risques de choc électrique si elles ne sont pas souvent nettoyées.

- Toujours manipuler les accessoires avec précaution lors du montage ou du démontage.
- Le meilleur endroit de rangement pour les accessoires est celui qui est frais et sec loin de la lumière directe du soleil et de la chaleur ou du froid excessif.

⚠ AVERTISSEMENT : TOUJOURS porter des lunettes de sécurité. Les lunettes de vue ne constituent PAS des lunettes de sécurité. Utiliser également un masque facial ou anti-poussière si l'opération de découpe génère de la poussière. TOUJOURS PORTER UN ÉQUIPEMENT DE PROTECTION HOMOLOGUÉ :

- Protection oculaire conforme à la norme ANSI Z87.1 (CAN/CSA Z94.3);
- Protection auditive ANSI S12.6 (S3.19);
- Protection des voies respiratoires conformes aux normes NIOSH/OSHA/MSHA.
- Nettoyer l'outil seulement au moyen d'un linge humide et d'un savon doux. Ne jamais laisser de liquide s'infiltrer à l'intérieur de l'outil; ne jamais immerger ce dernier dans quelque liquide que ce soit.

Accessoires

⚠ AVERTISSEMENT : puisque les accessoires autres que ceux offerts par CRAFTSMAN n'ont pas été testés avec ce produit, leur utilisation pourrait s'avérer dangereuse. Pour réduire le risque de blessures, utiliser exclusivement les accessoires CRAFTSMAN recommandés avec le présent produit.

Les accessoires recommandés pour cet outil sont vendus séparément au centre de service de votre région. Pour obtenir de l'aide concernant l'achat d'un accessoire, communiquer avec CRAFTSMAN., composer le **1-888-331-4569**.

Versatrack™ (Fig. O)

⚠ AVERTISSEMENT : afin de réduire le risque de blessure corporelle, éteignez l'appareil et retirez le bloc-piles avant d'effectuer tout ajustement ou de retirer/installer des pièces ou des accessoires. Un déclenchement accidentel du démarrage peut causer des blessures.

⚠ AVERTISSEMENT : afin de réduire le risque de blessures graves, ne pas utiliser un crochet de suspension Versatrack™ ou rail mural Versatrack™ endommagé. Un crochet de suspension Versatrack™ ou un rail Versatrack™ endommagé ne supportera pas le poids de l'outil.

⚠ AVERTISSEMENT : afin de réduire le risque de blessures graves, assurez-vous que la vis qui retient le crochet de suspension Versatrack™ est bien serrée.

⚠ AVERTISSEMENT : afin de réduire le risque de blessures graves, NE PAS suspendre l'outil au-dessus du niveau de la tête ou suspendre d'autres objets à partir du crochet de suspension. Suspendez SEULEMENT l'outil sur le rail mural Versatrack™ à l'aide du crochet de suspension Versatrack™.

⚠ AVERTISSEMENT : assurez-vous que le poids de l'outil ne dépasse pas le poids nominal maximum pour le crochet Versatrack™ sélectionné.

⚠ AVERTISSEMENT : lorsque vous suspendez des objets sur le mur Versatrack™ rail, distacez adéquatement les outils de sorte à ne pas excéder 35 kg (75 lb) par pied linéaire.

IMPORTANT : pour la fixation du crochet de suspension Versatrack, utilisez seulement la vis fournie. Assurez-vous de bien serrer la vis. Les outils et accessoires compatibles Versatrack™ se fixent de façon sécuritaire au système Versatrack™ Trackwall.

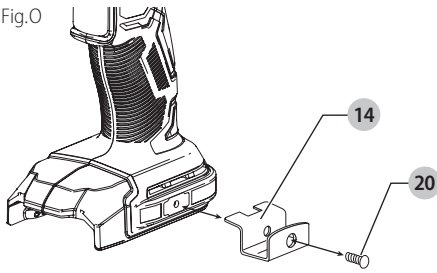
1. Éteignez l'outil, retirez les accessoires, retirez le bloc-piles.

⚠ ATTENTION : tout produit avec dents coupantes exposées doit être couvert de façon sécuritaire s'il doit être mis sur le Versatrack™ Trackwall.

2. Fixez la ganse de suspension **14** sur l'outil.
 - a. Placez le crochet de suspension Versatrack™ l'emplacement du montage à la base de l'outil.
 - b. Utilisez un tournevis pour sécuriser le crochet de suspension avec la vis fournie. **20**. Ne pas utiliser toute autre vis pour ce faire.

REMARQUE : les accessoires Versatrack™ pour utilisation avec cet outil sont disponibles à un coût supplémentaire chez votre détaillant local ou dans un centre de services autorisé. Si vous avez besoin d'aide pour trouver un accessoire, veuillez contacter CRAFTSMAN, appelez au **1-888-331-4569**.

Fig.O



Réparations

Le chargeur et le bloc-piles ne sont pas réparables. Le chargeur ou le bloc-piles ne comportent aucune pièce réparable.



AVERTISSEMENT : pour assurer la SÉCURITÉ et la FIABILITÉ du produit, les réparations, l'entretien et les réglages doivent être réalisés (cela comprend l'inspection et le remplacement du balai, le cas échéant) par un centre de réparation en usine CRAFTSMAN ou un centre de réparation agréé CRAFTSMAN. Toujours utiliser des pièces de rechange identiques.

Registre en ligne

Merci pour votre achat. Enregistrez dès maintenant votre produit:

- **RÉPARATIONS SOUS GARANTIE:** cette carte remplie vous permettra de vous prévaloir du service de réparations sous garantie de façon plus efficace dans le cas d'un problème avec le produit.
- **CONFIRMATION DE PROPRIÉTÉ:** en cas de perte provoquée par un incendie, une inondation ou un vol, cette preuve de propriété vous servira de preuve auprès de votre compagnie d'assurances.
- **SÉCURITÉ:** l'enregistrement de votre produit nous permettra de communiquer avec vous dans l'éventualité peu probable de l'envoi d'un avis de sécurité régi par la loi fédérale américaine de la protection des consommateurs.

Registrez en ligne à www.craftsman.com/registration

Garantie limitée de trois ans

CRAFTSMAN réparera ou remplacera sans frais tout appareil défectueux pour cause de défaut de matériau ou de main-d'œuvre sur une période d'un an à partir de la date d'achat de l'outil. Cette garantie ne couvre pas les pièces en panne pour cause d'abus ou d'usure normale de l'outil. Pour plus de détails au sujet de la couverture de la garantie et l'information de réparation sous garantie, visitez www.craftsman.com ou composez le **1-888-331-4569**.

Cette garantie ne s'applique pas aux accessoires ou dommages causés par des réparations effectuées ou tentées par d'autres. CETTE GARANTIE REMPLACE TOUTES LES AUTRES, INCLUANT LES GARANTIES IMPLICITES DE LA QUALITÉ MARCHANDE ET L'APTITUDE POUR UN BUT PARTICULIER, ET EXCLUT TOUS LES DOMMAGES

ACCIDENTELS OU CONSÉCUTIFS. Certaines provinces ne permettent pas de limitation sur la durée de la garantie implicite ou l'exclusion ou la limitation de dommages indirects, alors ces limitations peuvent ne pas s'appliquer à vous. Cette garantie vous donne des droits légaux particuliers et vous pouvez avoir d'autres droits qui varient selon les états ou les provinces.,

CONTRAT D'ENTRETIEN GRATUIT DE DEUX ANS SUR LES BLOC-PILES CRAFTSMAN

CMCB201, CMCB2011

CONTRAT D'ENTRETIEN GRATUIT DE TROIS ANS SUR LES BLOC-PILES CRAFTSMAN

CMCB202, CMCB204

REMARQUE : La garantie de se produit sera annulée si le bloc-piles a été altéré de quelque façon que ce soit. CRAFTSMAN ne peut être tenu responsable de tout dommage corporel causé par l'altération du produit et pourra poursuivre toute fraude en matière de garantie dans toute l'étendue permise par la loi.

GARANTIE DE REMBOURSEMENT DE 90 JOURS

Si l'acheteur n'est pas entièrement satisfait, pour quelque raison que ce soit, du rendement de l'outil électrique ou de la cloueuse CRAFTSMAN, celui-ci peut le retourner, accompagné d'un reçu, dans les 90 jours à compter de la date d'achat pour obtenir un remboursement intégral, sans aucun problème.

AMÉRIQUE LATINE : cette garantie ne s'applique aux produits vendus en Amérique latine. Pour ceux-ci, veuillez consulter les informations relatives à la garantie spécifique présente dans l'emballage, appeler l'entreprise locale ou consulter le site Web pour les informations relatives à cette garantie.

REPLACEMENT GRATUIT DES ÉTIQUETTES

D'AVERTISSEMENT : si les étiquettes d'avertissement deviennent illisibles ou sont manquantes, composer le **1-888-331-4569** pour en obtenir le remplacement gratuit.

GUIDE DE DÉPANNAGE

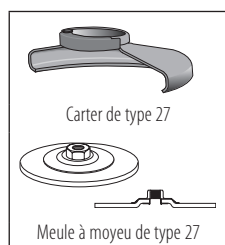
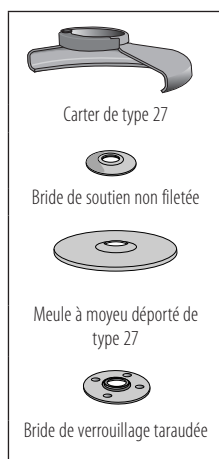
ASSUREZ-VOUS DE SUIVRE LES DIRECTIVES ET RÈGLES DE SÉCURITÉ

Pour de l'aide avec l'outil, consulter notre site Web www.craftsman.com pour l'emplacement du centre de réparation le plus près ou communiquer avec l'assistance CRAFTSMAN au 1-888-331-4569.

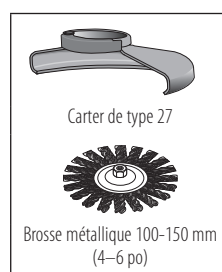
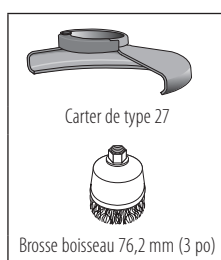
PROBLÈME	CAUSE PROBABLE	SOLUTION POSSIBLE
L'appareil refuse de démarrer.	Le bloc-piles n'est pas installé correctement.	Vérifier l'installation du bloc-piles.
	Le bloc-piles n'est pas rechargé.	Vérifier les exigences de charge pour le bloc-piles.
	Les composantes internes sont trop chaudes.	Laissez l'outil se refroidir.
Le bloc-piles ne se charge pas.	Le bloc-piles n'est pas inséré dans le chargeur.	Insérer le bloc-piles dans le chargeur et vérifier que le voyant DEL s'allume.
	Le chargeur n'est pas branché.	Brancher le chargeur dans une prise sous tension. Se reporter aux Remarques importantes propres au chargement pour plus de détails.
	La température ambiante est trop élevée ou trop basse.	Déplacer le chargeur et le bloc-piles dans un lieu où la température ambiante est au-dessus de 4,5 °C (40 °F) ou au-dessous de 40 °C (104 °F).
L'appareil s'éteint soudainement.	Le bloc-piles a atteint sa limite thermique maximum.	Laisser le bloc-piles refroidir.
	Déchargé. (Pour optimiser la durée de vie du bloc-piles, il a été conçu pour s'arrêter abruptement en fin de charge.)	Le placer sur le chargeur et le laisser se recharger.

TABLEAU DES ACCESSOIRES

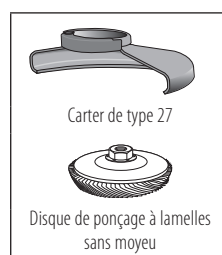
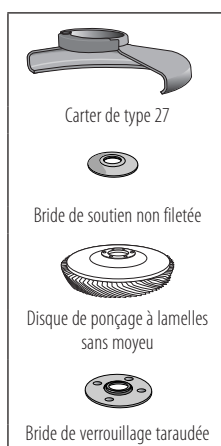
Meule de 115 mm (4 1/2 po) et 127 mm (5 po)



Brosses métalliques



Disques de ponçage à lamelles de 115 mm (4 1/2 po)



Definiciones: Símbolos y Palabras de Alerta de Seguridad

Este manual de instrucciones utiliza los siguientes símbolos y palabras de alerta de seguridad para alertarle de situaciones peligrosas y del riesgo de lesiones corporales o daños materiales.

⚠ PELIGRO: Indica una situación de peligro inminente que, si no se evita, provocará **la muerte o lesiones graves**.

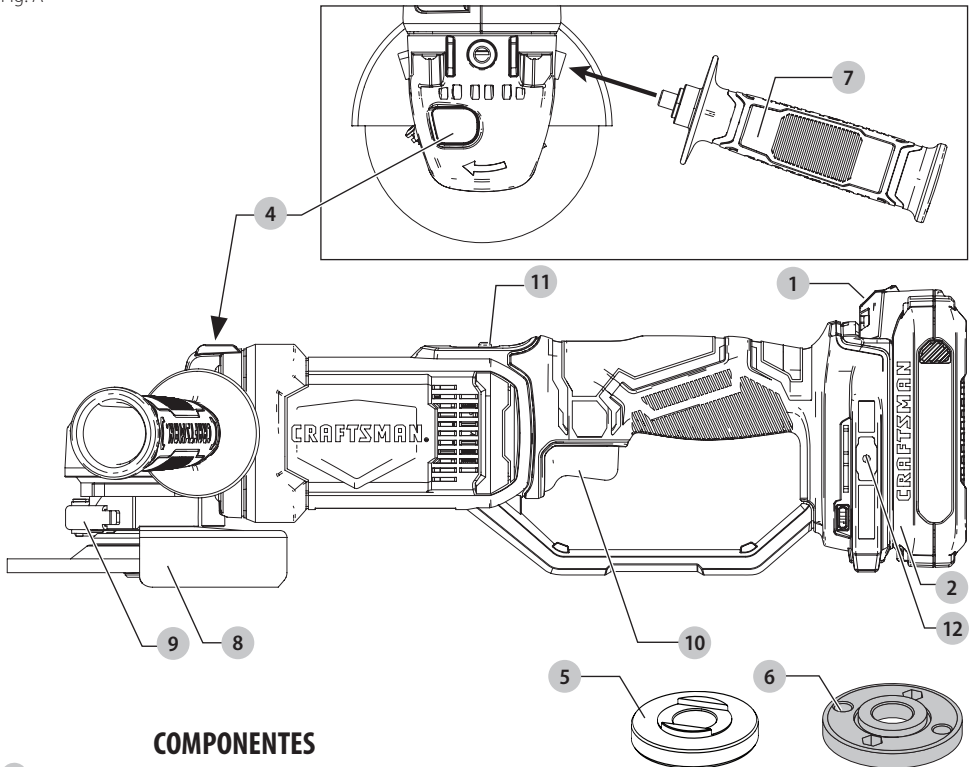
⚠ ADVERTENCIA: Indica una situación de peligro potencial que, si no se evita, **podría provocar la muerte o lesiones graves**.

⚠ ATENCIÓN: Indica una situación de peligro potencial que, si no se evita, **posiblemente provocaría lesiones leves o moderadas**.

⚠ (Utilizado sin palabras) indica un mensaje de seguridad relacionado.

AVISO: Se refiere a una práctica **no relacionada a lesiones corporales** que de no evitarse **puede resultar en daños a la propiedad**.

Fig. A



COMPONENTES

- 1 Batería
- 2 Botón de liberación de la batería
- 3 Eje (no mostrada)
- 4 Botón del seguro del eje
- 5 Brida de respaldo sin rosca
- 6 Brida de bloqueo roscada
- 7 Mango lateral
- 8 Protector (Tipo 27)
- 9 Palanca de liberación del protector
- 10 Interruptor disparador
- 11 Botón de bloqueo
- 12 Emplacement de fixation d'accessoire CRAFTSMAN

⚠ ADVERTENCIA: Lea todas las advertencias de seguridad e instrucciones. El incumplimiento de las advertencias e instrucciones puede provocar descargas eléctricas, incendios o lesiones graves.

⚠ ADVERTENCIA: Nunca modifique la herramienta eléctrica, ni tampoco ninguna de sus piezas. Podría producir lesiones corporales o daños.

📖 ADVERTENCIA: Para reducir el riesgo de lesiones, lea el manual de instrucciones.

Si tiene alguna duda o algún comentario sobre ésta u otra herramienta CRAFTSMAN, llámenos al número gratuito: 1-888-331-4569.

Esmeriladora de 115 mm (4-1/2") 20 V Máx* CMCG400

ADVERTENCIAS GENERALES DE SEGURIDAD PARA HERRAMIENTAS ELÉCTRICAS



ADVERTENCIA: Lea todas las advertencias de seguridad, instrucciones, ilustraciones y especificaciones incluidas con esta herramienta eléctrica. La falla en seguir todas las instrucciones siguientes puede resultar en descarga eléctrica, incendio y/o lesiones serias.

CONSERVE TODAS LAS ADVERTENCIAS E INSTRUCCIONES PARA FUTURAS CONSULTAS

El término "herramienta eléctrica" incluido en las advertencias hace referencia a las herramientas eléctricas operadas con corriente (con cable eléctrico) o a las herramientas eléctricas operadas con baterías (inalámbricas).

1) Seguridad en el Área de Trabajo

- Mantenga el área de trabajo limpia y bien iluminada.** Las áreas abarrotadas y oscuras propician accidentes.
- No opere las herramientas eléctricas en atmósferas explosivas, como ambientes donde haya polvo, gases o líquidos inflamables.** Las herramientas eléctricas originan chispas que pueden encender el polvo o los vapores.
- Mantenga alejados a los niños y a los espectadores de la herramienta eléctrica en funcionamiento.** Las distracciones pueden provocar la pérdida de control.

2) Seguridad Eléctrica

- Los enchufes de la herramienta eléctrica deben adaptarse al tomacorriente. Nunca modifique el enchufe de ninguna manera. No utilice ningún enchufe adaptador con herramientas eléctricas con conexión a tierra.** Los enchufes no modificados y que se adaptan a los tomacorrientes reducirán el riesgo de descarga eléctrica.
- Evite el contacto corporal con superficies con descargas a tierra como, por ejemplo, tuberías, radiadores, cocinas eléctricas y refrigeradores.** Existe mayor riesgo de descarga eléctrica si su cuerpo está puesto a tierra.
- No exponga las herramientas eléctricas a la lluvia o a condiciones de humedad.** Si entra agua a una herramienta eléctrica, aumentará el riesgo de descarga eléctrica.
- No maltrate el cable. Nunca utilice el cable para transportar, tirar o desenchufar la herramienta eléctrica. Mantenga el cable alejado del calor, el aceite, los bordes filosos y las piezas móviles.** Los cables dañados o enredados aumentan el riesgo de descarga eléctrica.

- Al operar una herramienta eléctrica en el exterior, utilice un cable prolongador adecuado para tal uso.** Utilice un cable adecuado para uso en exteriores a fin de reducir el riesgo de descarga eléctrica.
- Si el uso de una herramienta eléctrica en un lugar húmedo es imposible de evitar, utilice un suministro protegido con un interruptor de circuito por falla a tierra (GFCI).** El uso de un GFCI reduce el riesgo de descargas eléctricas.

3) Seguridad Personal

- Permanezca alerta, controle lo que está haciendo y utilice el sentido común cuando emplee una herramienta eléctrica. No utilice una herramienta eléctrica si está cansado o bajo el efecto de drogas, alcohol o medicamentos.** Un momento de descuido mientras se opera una herramienta eléctrica puede provocar lesiones personales graves.
- Utilice equipos de protección personal. Siempre utilice protección para los ojos.** En las condiciones adecuadas, el uso de equipos de protección, como máscaras para polvo, calzado de seguridad antideslizante, cascos o protección auditiva, reducirá las lesiones personales.
- Evite el encendido por accidente. Asegúrese de que el interruptor esté en la posición de apagado antes de conectarlo a la fuente de energía o paquete de baterías, o antes de levantar o transportar la herramienta.** Transportar herramientas eléctricas con el dedo apoyado en el interruptor o enchufar herramientas eléctricas con el interruptor en la posición de encendido puede propiciar accidentes.
- Retire la clavija de ajuste o la llave de tuercas antes de encender la herramienta eléctrica.** Una llave de tuercas o una clavija de ajuste que quede conectada a una pieza giratoria de la herramienta eléctrica puede provocar lesiones personales.
- No se estire. Conserve el equilibrio y párese adecuadamente en todo momento.** Esto permite un mejor control de la herramienta eléctrica en situaciones inesperadas.
- Use la vestimenta adecuada. No use ropas holgadas ni joyas. Mantenga el cabello, la ropa y los guantes alejados de las piezas en movimiento.** Las ropas holgadas, las joyas o el cabello largo pueden quedar atrapados en las piezas en movimiento.
- Si se suministran dispositivos para la conexión de accesorios con fines de recolección y extracción de polvo, asegúrese de que estén conectados y que se utilicen correctamente.** El

uso de dispositivos de recolección de polvo puede reducir los peligros relacionados con el polvo.

- h) **No permita que la familiaridad obtenida a partir del uso frecuente de herramientas le permitan volverse descuidado e ignorar los principios de seguridad de la herramienta.** Una acción descuidada puede causar lesiones severas en una fracción de segundo.

4) Uso y Mantenimiento de la Herramienta Eléctrica

- a) **No fuerce la herramienta eléctrica. Utilice la herramienta eléctrica correcta para el trabajo que realizará.** Si se la utiliza a la velocidad para la que fue diseñada, la herramienta eléctrica correcta permite trabajar mejor y de manera más segura.
- b) **No utilice la herramienta eléctrica si no puede encenderla o apagarla con el interruptor.** Toda herramienta eléctrica que no pueda ser controlada mediante el interruptor es peligrosa y debe repararse.
- c) **Desconecte el enchufe de la fuente de alimentación y/o retire la batería, o paquete si es desmontable, de la herramienta eléctrica antes de realizar cualquier ajuste, cambiar accesorios o almacenar herramientas eléctricas.** Estas medidas de seguridad preventivas reducen el riesgo de encender la herramienta eléctrica en forma accidental.
- d) **Guarde la herramienta eléctrica que no esté en uso fuera del alcance de los niños y no permita que otras personas no familiarizadas con ella o con estas instrucciones operen la herramienta.** Las herramientas eléctricas son peligrosas si son operadas por usuarios no capacitados.
- e) **Dé mantenimiento a las herramientas eléctricas y accesorios. Revise que no haya piezas en movimiento mal alineadas o trabadas, piezas rotas o cualquier otra situación que pueda afectar el funcionamiento de la herramienta eléctrica. Si encuentra daños, haga reparar la herramienta eléctrica antes de utilizarla.** Se producen muchos accidentes a causa de las herramientas eléctricas que carecen de un mantenimiento adecuado.
- f) **Mantenga las herramientas de corte afiladas y limpias.** Las herramientas de corte con mantenimiento adecuado y con los bordes de corte afilados son menos propensas a trabarse y son más fáciles de controlar.
- g) **Utilice la herramienta eléctrica, los accesorios y las brocas de la herramienta, etc. de acuerdo con estas instrucciones y teniendo en cuenta las condiciones de trabajo y el trabajo que debe realizarse.** El uso de la herramienta eléctrica para operaciones diferentes de aquéllas para las que fue diseñada podría originar una situación peligrosa.
- h) **Mantenga las manijas y superficies de sujeción secas, limpias y libres de aceite y grasa.**

Las manijas y superficies de sujeción resbalosas no permiten el manejo y control seguros de la herramienta en situaciones inesperadas.

5) Uso y Mantenimiento de la Herramienta con Baterías

- a) **Recargue solamente con el cargador especificado por el fabricante.** Un cargador adecuado para un tipo de paquete de baterías puede originar riesgo de incendio si se utiliza con otro paquete de baterías.
- b) **Utilice herramientas eléctricas sólo con paquetes de baterías específicamente diseñados.** El uso de cualquier otro paquete de baterías puede producir riesgo de incendio y lesiones.
- c) **Cuando no utilice el paquete de baterías, manténgalo lejos de otros objetos metálicos como sujetapapeles, monedas, llaves, clavos, tornillos u otros objetos metálicos pequeños que puedan realizar una conexión desde un terminal al otro.** Los cortocircuitos en los terminales de la batería pueden provocar quemaduras o incendio.
- d) **En condiciones abusivas, el líquido puede ser expulsado de la batería. Evite su contacto. Si entra en contacto accidentalmente, enjuague con agua. Si el líquido entra en contacto con los ojos, busque atención médica.** El líquido expulsado de la batería puede provocar irritación o quemaduras.
- e) **No use un paquete de batería o herramienta que estén dañados o modificados.** Las baterías dañadas o modificadas pueden presentar un comportamiento impredecible que resulte en incendios, explosión o riesgo de lesiones.
- f) **No exponga un paquete de batería o una herramienta a fuego o temperatura excesiva.** La exposición a fuego o temperaturas mayores a 129 °C (265 °F) pueden causar una explosión.
- g) **Siga todas las instrucciones de carga y no cargue el paquete de batería o la herramienta fuera del rango de temperatura especificado en las instrucciones.** Cargar inadecuadamente o en una temperatura fuera del rango de temperatura especificado puede dañar la batería e incrementar el riesgo de incendio.

6) Mantenimiento

- a) **Solicite a una persona calificada en reparaciones que realice el mantenimiento de su herramienta eléctrica y que sólo utilice piezas de repuesto idénticas.** Esto garantizará la seguridad de la herramienta eléctrica.
- b) **Nunca dé servicio a paquetes de batería dañados.** El servicio de paquetes de batería sólo debe ser realizado por el fabricante o proveedores de servicio autorizados.

INSTRUCCIONES DE SEGURIDAD PARA TODAS LAS OPERACIONES

Advertencias de seguridad comunes para Operaciones de Esmerilado, Lijado, Pulido con Alambre

- a) *Esta herramienta eléctrica está diseñada para funcionar como una esmeriladora, lijadora o cepillo de alambre. Lea todas las advertencias de seguridad, instrucciones, ilustraciones y especificaciones incluidas con esta herramienta eléctrica. La falla en seguir todas las instrucciones siguientes puede resultar en descarga eléctrica, incendio y/o lesiones serias.*
- b) **No se recomienda realizar operaciones como el pulido y corte con esta herramienta eléctrica.** *Las operaciones para las que la herramienta eléctrica no fue diseñada pueden crear un peligro y causar lesiones personales.*
- c) **No utilice accesorios que no estén diseñados y recomendados específicamente por el fabricante de la herramienta.** *El hecho que el accesorio pueda conectarse a la herramienta eléctrica no garantiza un funcionamiento seguro.*
- d) **La velocidad nominal del accesorio debe ser equivalente a la velocidad máxima indicada en la herramienta eléctrica, como mínimo.** *Los accesorios que funcionen más rápido que su velocidad nominal pueden romperse y desprendirse.*
- e) **El diámetro externo y el grosor del accesorio deben estar dentro del rango de capacidad de la herramienta eléctrica.** *Los accesorios de tamaño incorrecto no pueden protegerse ni controlarse adecuadamente.*
- f) **El montaje de rosca de los accesorios debe corresponderse con la rosca del eje de la esmeriladora. Para los accesorios montados con bridas, el orificio del eje del accesorio debe ajustarse al diámetro de centrado de la brida.** *Los accesorios que no se corresponden con las piezas de montaje de la herramienta eléctrica se desequilibrarán, vibrarán excesivamente y pueden causar pérdida de control.*
- g) **No utilice un accesorio dañado. Inspeccione el accesorio antes de cada uso; por ejemplo, el disco abrasivo para verificar que no tenga astillas ni grietas; la almohadilla de respaldo para ver si hay grietas, desprendimientos o desgaste excesivo y el cepillo de alambre para ver si tiene alambres sueltos o quebrados. Si la herramienta eléctrica o el accesorio sufre una caída, inspeccione para ver si hay daños o instale un accesorio en buen estado. Después de inspeccionar e instalar un accesorio, ubíquese y ubique a los espectadores lejos del plano del accesorio giratorio y haga funcionar la** *herramienta a velocidad máxima sin carga durante un minuto. Los accesorios dañados generalmente se romperán durante esta prueba.*
- h) **Utilice equipos de protección personal. Según la aplicación, debe usar protector facial, anteojos de seguridad o lentes de seguridad. Según corresponda, utilice máscara para polvo, protectores auditivos, guantes y delantal de taller para protegerse de los pequeños fragmentos abrasivos y de los fragmentos de la pieza de trabajo. La protección para los ojos debe ser capaz de detener los residuos volátiles que se generan en las diferentes operaciones. La máscara para polvo o respirador debe ser capaz de filtrar las partículas generadas por el funcionamiento de la herramienta.** *La exposición prolongada al ruido intenso puede provocar pérdida de la audición.*
- i) **Mantenga a los espectadores a una distancia segura del área de trabajo. Toda persona que ingrese al área de trabajo debe utilizar equipos de protección personal.** *Los fragmentos de una pieza de trabajo o de un accesorio roto pueden volar y provocar lesiones más allá del área de operaciones cercana.*
- j) **Sostenga la herramienta eléctrica solo por sus superficies de empuñadura aisladas cuando realice una operación en la cual el accesorio para cortar pudiera entrar en contacto con instalaciones eléctricas ocultas o con su propio cable.** *Si el accesorio para cortar entra en contacto con un cable bajo tensión, se cargarán las partes metálicas de la herramienta expuestas a la corriente y podrían producir una descarga eléctrica al operador.*
- k) **Nunca apoye la herramienta hasta que el accesorio se haya detenido completamente.** *El accesorio giratorio puede enganchar la superficie y producir la pérdida de control de la herramienta.*
- l) **No haga funcionar la herramienta eléctrica mientras la carga a su lado.** *El contacto accidental con el accesorio giratorio puede hacer que éste se le enganche en la ropa y lance el accesorio hacia su cuerpo.*
- m) **Limpie frecuentemente los orificios de ventilación de la herramienta eléctrica.** *El ventilador del motor atraerá el polvo dentro de la cubierta, y la acumulación excesiva de polvo metálico puede producir riesgos eléctricos.*
- n) **No use la herramienta eléctrica cerca de materiales inflamables.** *Las chispas pueden encender estos materiales.*
- o) **No utilice accesorios que requieran refrigerantes líquidos.** *El uso de agua u otros refrigerantes líquidos puede producir una electrocución o descarga eléctrica.*
- p) **No utilice discos Tipo 11 (copas cónicas) en esta herramienta.** *El uso de accesorios incorrectos puede producir lesiones.*

- q) **Siempre utilice el mango lateral. Ajuste el mango con firmeza.** Se debe utilizar siempre el mango lateral para mantener el control de la herramienta en todo momento.
- r) **Al arrancar la herramienta con un disco nuevo o de repuesto, o un cepillo de alambre nuevo o de repuesto, sostenga la herramienta en un área bien protegida y póngala en funcionamiento durante un minuto. Si el disco tiene una grieta o un defecto que haya pasado inadvertido, se romperá en pedazos en menos de un minuto. Si el cepillo de alambre tiene alambres sueltos, serán detectados. Nunca encienda la herramienta si una persona está parada frente al disco.** Esta instrucción incluye al operador.
- s) **Para evitar que el extremo del eje entre en contacto con la parte inferior del orificio del producto abrasivo, utilice accesorios que tengan una profundidad del orificio roscado de al menos 21 mm.** Si no se utiliza un accesorio con la profundidad de rosca adecuada esto puede provocar daños en el producto abrasivo y lesiones al operador o a las personas en el área.
- t) **El tamaño del eje de las ruedas de cubo, bridas, almohadillas de respaldo o cualquier otro accesorio debe ajustarse correctamente al husillo de la herramienta eléctrica.** Los accesorios que no se corresponden con las piezas de montaje de la herramienta eléctrica se desequilibrarán, vibrarán excesivamente y pueden causar pérdida de control.

Causas del retroceso y su prevención por parte del operador

El retroceso es una reacción repentina al pellizco o atascamiento de un disco giratorio, una almohadilla de respaldo, un cepillo o cualquier otro accesorio. El pellizco o el atascamiento hacen que el accesorio giratorio se trabaje rápidamente, lo que a su vez provoca que la herramienta eléctrica fuera de control vaya en sentido opuesto al giro del accesorio en el punto del atascamiento.

Por ejemplo, si la pieza de trabajo atasca o pellizca el disco abrasivo, el borde del disco que ingresa en el punto de pliegue puede clavarse en la superficie del material y provocar que el disco salte o se desenganche. El disco puede saltar hacia el operador o en sentido contrario, según la dirección del movimiento del disco en el punto de pellizco. Los discos abrasivos también se pueden romper en estas condiciones.

El retroceso es el resultado de un mal uso de la herramienta o de condiciones o procedimientos operativos incorrectos y se puede evitar tomando las precauciones apropiadas que se indican a continuación:

- a) **Sostenga la herramienta eléctrica con firmeza y ubique el cuerpo y el brazo para poder resistir las fuerzas de retroceso. Siempre utilice el mango lateral, en caso de tenerlo, para lograr el máximo control sobre el retroceso o la reacción de torsión durante el encendido.** El operador

puede controlar la reacción de torsión o las fuerzas de retroceso si toma las precauciones adecuadas.

- b) **Nunca coloque la mano cerca del accesorio giratorio, ya que éste puede hacer un retroceso sobre la mano.**
- c) **No ubique el cuerpo en el área hacia donde la herramienta eléctrica se desplazará si se produce un retroceso.** El retroceso impulsará la herramienta en la dirección opuesta al movimiento del disco en el punto de atascamiento.
- d) **Tenga especial cuidado al trabajar en esquinas, bordes filosos, etc. Evite hacer rebotar o enganchar el accesorio.** Las esquinas, los bordes filosos y el rebote tienden a enganchar el accesorio giratorio y producir la pérdida de control o el retroceso de la unidad.
- e) **No conecte una hoja para carpintería para sierra de cadena ni una hoja de sierra dentada.** Estas hojas pueden producir el retroceso y la pérdida de control frecuentes.

Advertencias de seguridad específicas para operaciones de esmerilado

- a) **Utilice sólo los tipos de disco recomendados para su herramienta eléctrica y el protector específico para el disco seleccionado.** Los discos para los que la herramienta eléctrica no está diseñada no pueden protegerse adecuadamente y son inseguros.
- b) **La superficie de esmerilado de los discos de centro hundido debe montarse por debajo del borde del protector.** Un disco montado incorrectamente que se proyecte a través del plano del borde del protector no puede protegerse adecuadamente.
- c) **El protector debe fijarse en forma segura a la herramienta eléctrica y ubicarse para brindar la máxima seguridad, de manera que una mínima parte del disco quede expuesta hacia el operador.** El protector ayuda a proteger al operador de los fragmentos despedidos por discos rotos, del contacto accidental con el disco y de chispas que podrían prender fuego a la ropa.
- d) **Los discos sólo deben utilizarse para las aplicaciones recomendadas. Por ejemplo: no esmerile con el costado del disco de corte.**
- e) **Siempre utilice bridas de disco en buen estado, con la forma y el tamaño apropiados para el disco seleccionado. Las bridas de disco adecuadas brindan soporte al disco, además de reducir la posibilidad de que el disco se rompa.** Las bridas de los discos de corte pueden ser diferentes a las bridas de discos de esmerilado.
- f) **No utilice discos desgastados de herramientas eléctricas más grandes.** Los discos diseñados para herramientas eléctricas más grandes no son apropiados para la mayor velocidad de una herramienta más pequeña y pueden estallar.


Advertencias de seguridad específicas para operaciones de lijado


- a) **No utilice papel para disco de lijar con sobreespesor excesivo. Siga las recomendaciones del fabricante al seleccionar el papel de lija.** Los papeles de lija más grandes que sobrepasan la almohadilla de lijado representan un peligro de laceración y pueden provocar el retroceso o que el disco se enganche o se rompa.


Advertencias de seguridad específicas para operaciones de cepillado con cepillo de alambre


- a) **Tenga en cuenta que las cerdas de alambre se desprenden del cepillo incluso durante el funcionamiento común. No sobrecargue los alambres al aplicar una carga excesiva al cepillo.** Las cerdas de alambre pueden penetrar fácilmente la ropa liviana y la piel.
- b) **Si se recomienda la utilización de un protector para el cepillado con cepillo de alambre, no permita ninguna interferencia entre el disco o cepillo de alambre y el protector.** El disco o cepillo de alambre puede expandir su diámetro debido a las fuerzas centrífuga y de trabajo.
- c) **El operador y otras personas que se encuentren a no más de 15,2 m (50') de este producto en funcionamiento DEBEN usar lentes de seguridad con pantallas laterales de protección y una pantalla facial conforme con la norma ANSI Z87.1.**


Additional Safety Warnings


 **ADVERTENCIA:** Para reducir el riesgo de lesiones, sólo use accesorios con capacidad por lo menos igual a la velocidad máxima marcada en la herramienta.

 **ADVERTENCIA:** Para reducir el riesgo de lesiones, siempre use protecciones adecuadas cuando pule.

 **ADVERTENCIA:** No utilice el abrasivo de corte plano tipo 1/41 o las ruedas de diamante sin la protección adecuada.

 **ADVERTENCIA:** El disco o accesorio para esmerilar puede aflojarse cuando la herramienta esté girando por inercia una vez apagada. Si el disco o accesorio para esmerilar se afloja, puede desmontarse de la máquina y ocasionar una lesión corporal grave.

 **ADVERTENCIA:** No utilice esta herramienta durante períodos largos de tiempo. La vibración causada por la acción de funcionamiento de esta herramienta puede causar una lesión permanente a los dedos, manos y brazos. Utilice guantes para proporcionar mayor protección, tómese descansos frecuentes y limite el tiempo de uso diario.

 **ADVERTENCIA:** Cuando no se utilice, coloque la esmeriladora en una superficie estable en la que no

se mueva sin querer, se ruede o provoque tropezones o caídas..



ATENCIÓN: Para reducir el riesgo de lesión corporal, preste una atención especial al trabajar en esquinas o bordes, ya que si el disco u otro accesorio toca una superficie secundaria o el borde de una superficie, la herramienta puede efectuar un movimiento brusco y repentino.

Instrucción Adicional de Seguridad



ADVERTENCIA: Use SIEMPRE lentes de seguridad. Los anteojos de diario NO SON lentes de seguridad. Utilice además una cubrebocas o mascarilla antipolvo si la operación de corte genera demasiado polvo. SIEMPRE LLEVE EQUIPO DE SEGURIDAD CERTIFICADO:

- protección ocular ANSI Z87.1 (CAN/CSA Z94.3),
- protección auditiva ANSI S12.6 (S3.19),
- protección respiratoria NIOSH/OSHA/MSHA.



ADVERTENCIA: Algunas partículas de polvo generadas al lijar, serrar, esmerilar y taladrar con herramientas eléctricas, así como al realizar otras actividades de construcción, contienen químicos que el Estado de California sabe que pueden producir cáncer, defectos congénitos u otras afecciones reproductivas. Ejemplos de estos químicos son:

- plomo de algunas pinturas en base a plomo,
- polvo de sílice proveniente de ladrillos y cemento y otros productos de albañilería, y
- arsénico y cromo provenientes de madera tratada químicamente.

Su riesgo de exposición a estos químicos varía, dependiendo de la frecuencia con la cual realiza usted este tipo de trabajo. Para reducir su exposición a estas sustancias químicas: trabaje en una zona bien ventilada y llevando equipos de seguridad aprobados, como mascarillas antipolvo especialmente diseñadas para filtrar partículas microscópicas.

- **Evite el contacto prolongado con polvo generado por el lijado, aserrado, pulido, taladrado y otras actividades de construcción. Vista ropas protectoras y lave las áreas de la piel expuestas con agua y jabón.** Si permite que el polvo se introduzca en la boca u ojos o quede sobre la piel, puede favorecer la absorción de productos químicos peligrosos.



ADVERTENCIA: La utilización de esta herramienta puede generar polvo o dispersarlo, lo que podría causar daños graves y permanentes al sistema respiratorio, así como otras lesiones. Siempre use protección respiratoria aprobada por NIOSH (Instituto Nacional de Seguridad y Salud en el Trabajo) u OSHA (Administración de Seguridad y Salud en el Trabajo) apropiada para la exposición al polvo. Dirija las partículas en dirección contraria a la cara y el cuerpo.



ADVERTENCIA: Siempre lleve la debida protección auditiva personal en conformidad con ANSI S12.6 (S3.19) durante el uso de esta herramienta. Bajo algunas condiciones y duraciones

de uso, el ruido producido por este producto puede contribuir a la pérdida auditiva.



ATENCIÓN: Cuando no esté en uso, guarde la herramienta apoyada en un costado sobre una superficie estable, donde no interrumpa el paso o provoque una caída. Algunas herramientas se pueden colocar en posición vertical, pero pueden caer fácilmente.

- Los orificios de ventilación suelen cubrir piezas en movimiento, por lo que también se deben evitar. Las piezas en movimiento pueden atrapar prendas de vestir sueltas, joyas o el cabello largo.

La etiqueta de su herramienta puede incluir los siguientes símbolos. A continuación se indican los símbolos y sus definiciones:

IPM.....	impactos por minuto	n ₀	velocidad sin carga
RPM.....	revoluciones por minuto	n.....	velocidad nominal
sfpm.....	pies de superficie por minuto	⊕.....	terminal de conexión a tierra
SPM.....	pasadas por minuto	⚠.....	símbolo de advertencia de seguridad
OPM.....	oscilaciones por minuto	☠.....	radiación visible
A.....	amperios	☼.....	protección respiratoria
W.....	vatios	👁.....	protección ocular
~ or AC.....	corriente alterna	👂.....	protección auditiva
⎓ or AC/DC.....	corriente alterna o directa	📖.....	lea toda la documentación
☐.....	Construcción de Clase II (doble aislamiento)	.. /min or ..min ⁻¹	Revoluciones o movimientos alternativos por minuto
2 ~.....	corriente alterna bifásica	⎓.....	enlace de fusible miniatura de registro de tiempo donde X es el símbolo para la característica de tiempo/corriente, como se da en IEC 60127-3
2N ~.....	corriente alterna bifásica con neutro	IPXX.....	Símbolo IP
3 ~.....	corriente alterna trifásica		
3N ~.....	corriente alterna trifásica con neutro		
⎓.....	corriente nominal de enlace de fusible apropiado en amperes		
⚠.....	evite mirar fijamente la luz		

BATERÍAS Y CARGADORES

La batería no viene completamente cargada de fábrica. Antes de utilizar la batería y el cargador, lea las siguientes instrucciones de seguridad y luego siga los procedimientos de carga indicados. Cuando pida baterías de repuesto, no olvide indicar el número de catálogo y el voltaje.

LEA TODAS LAS INSTRUCCIONES

Instrucciones de Seguridad Importantes Para Todas las Unidades de Batería



ADVERTENCIA: Lea todas las advertencias de seguridad, instrucciones y marcas de precaución para el paquete de la batería, el cargador y el producto. No seguir las advertencias y las instrucciones puede provocar una descarga eléctrica, un incendio y/o lesiones graves.

- **No cargue o use la unidad de batería en atmósferas explosivas, como en presencia de líquidos, gases o polvos inflamables.** Puede que al insertar o sacar la unidad de batería del cargador se inflamen el polvo o los gases.
- **Cuando el paquete de batería no esté en uso, manténgalo alejado de otros objetos metálicos, como sujetadores de papel, monedas, llaves, clavos, tornillos, u otros objetos pequeños de metal que puedan hacer una conexión de una terminal a otra.** Conectar en corto circuito las terminales de la batería puede causar quemaduras o un incendio.
- **NUNCA fuerce la unidad de batería para que entre en el cargador. NO modifique la unidad de batería en ninguna forma para que entre en un cargador no compatible, pues puede producir una ruptura en la unidad de batería y causar lesiones corporales graves.**
- **Cargue las unidades de batería sólo en los cargadores designados por CRAFTSMAN.**
- **NO salpique con ni sumerja en agua u otros líquidos.**
- **No guarde ni use la herramienta y unidad de batería en lugares donde la temperatura pueda alcanzar o superar los 40 °C (104 °F), tales como cobertizos o construcciones de metal durante el verano.** Almacene las unidades de batería en lugares frescos y secos para maximizar su vida útil.
- **NOTA: No almacene las unidades de batería en la herramienta con el interruptor de gatillo en posición encendida fija. Nunca use cinta adhesiva para mantener el interruptor de gatillo en posición ENCENDIDA.**
- **No incinere la unidad de batería, aunque esté completamente dañada o descargada. La unidad de batería puede explotar si se quema.** Cuando se queman unidades de batería de iones de litio, se producen gases y materiales tóxicos.
- **Si el contenido de la batería entra en contacto con la piel, lave el área de inmediato con agua y un jabón suave. Si el líquido de la batería entra en contacto con**

sus ojos, enjuáguelos con agua y los ojos abiertos por 15 minutos o hasta que cese la irritación. Si se requiere de asistencia médica, el electrolito de la batería está compuesto por una mezcla de carbonatos orgánicos líquidos y sales de litio.

- **El contenido de los elementos abiertos de la batería puede causar irritación en el tracto respiratorio.** Salga al aire fresco. Si los síntomas persisten, busque asistencia médica.



ADVERTENCIA: Peligro de quemaduras. El líquido de la batería puede ser inflamable si se expone a chispas o llamas.



ADVERTENCIA: Peligro de incendio. Nunca intente abrir la unidad de batería por ningún motivo. Si la caja exterior de la unidad de batería se triza o daña, no la introduzca en el cargador. No triture, deje caer o dañe la unidad de batería. No use una unidad de batería o un cargador que haya sido golpeado, dejado caer, atropellado o dañado en cualquier forma (por ejemplo, perforado por un clavo, golpeado con un martillo, pisado). Lleve sus unidades de batería dañadas al centro de servicio para que sean recicladas.

Recomendaciones de Almacenamiento

1. El mejor lugar de almacenamiento es uno que sea fresco y seco, lejos de la luz solar directa y del exceso de calor o frío.
2. Para resultados óptimos durante tiempos prolongados de almacenamiento, se recomienda almacenar la unidad de batería completamente cargada en un lugar fresco y seco fuera del cargador.

NOTA: Las unidades de batería no deberían almacenarse completamente descargadas. La unidad de batería deberá recargarse antes de ser usada.

Instrucciones de Limpieza del Batería

1. Para limpiar la suciedad y grasa del exterior del cargador puede usarse un paño o cepillo suave no metálico. No use agua ni soluciones limpiadoras.

El sello RBRC®

El sello RBRC® (Rechargeable Battery Recycling Corporation) en las baterías (unidades de batería) de níquel cadmio, níquel e hidruro metálico o de iones de litio indica que el costo de reciclaje de estas baterías (o unidades de batería) al llegar al final de su vida de servicio ya ha sido pagado por CRAFTSMAN. En algunas áreas, es ilegal depositar baterías de níquel cadmio, níquel e hidruro metálico o de iones de litio gastadas en la basura o la corriente de residuos sólidos urbanos; el programa Call 2 Recycle® proporciona una alternativa ecológica.

Call 2 Recycle, Inc., en cooperación con CRAFTSMAN y otros usuarios de baterías, han establecido programas en los Estados Unidos y Canadá para facilitar la recolección de baterías de níquel cadmio, níquel e hidruro metálico



o de iones de litio gastadas. Al llevar sus baterías de níquel cadmio, níquel e hidruro metálico y de iones de litio gastadas a un centro de servicio autorizado por CRAFTSMAN o al minorista local para que sean recicladas, ayuda a proteger el medio ambiente y a conservar recursos naturales. También puede comunicarse con el centro de reciclaje de su localidad para mayor información sobre dónde llevar sus baterías gastadas.

RBRC® es una marca comercial registrada de Call 2 Recycle, Inc.

Transporte



ADVERTENCIA: Peligro de incendio. No guarde o transporte la batería de forma que los terminales expuestos de la misma puedan estar en contacto con objetos metálicos. Por ejemplo, no ponga la batería en delantales, bolsillos, cajas de herramientas, estuches de productos, cajones, etc., junto con clavos, tornillos, y llaves, etc. sueltos. **El transporte de baterías puede causar incendios si sus terminales inadvertidamente entran en contacto con materiales conductores como llaves, monedas, herramientas manuales y otros por el estilo.** El Reglamento sobre

Materiales Peligrosos (HMR) del Departamento de Transporte de EE.UU. prohíbe transportar baterías comercialmente o en aviones en el equipaje de mano A MENOS que estén debidamente protegidas contra cortocircuitos. Por lo tanto, cuando transporte baterías individuales, asegúrese de que sus terminales estén protegidos y debidamente aislados de los materiales que pudieran entrar en contacto con ellos y provocar un cortocircuito. **NOTA:** Las baterías de iones de LI-ION no deben colocarse dentro del equipaje registrado.

Instrucciones Importantes de Seguridad Para Todos los Cargadores de Baterías



ADVERTENCIA: Lea todas las advertencias de seguridad, instrucciones y marcas de precaución para el paquete de la batería, el cargador y el producto. No seguir las advertencias y las instrucciones puede provocar una descarga eléctrica, un incendio y/o lesiones graves.

- **NO intente cargar el paquete de batería con ningún cargador diferente a un cargador CRAFTSMAN.** El cargador y el paquete de batería CRAFTSMAN están diseñados específicamente para funcionar juntos.
- **Estos cargadores no fueron diseñados para ser utilizados para más que cargar las baterías recargables CRAFTSMAN.** Cualquier otro uso puede producir riesgo de incendios, descargas eléctricas o electrocución.
- **No exponga el cargador a la lluvia o a la nieve.**
- **Tire del enchufe y no del cable cuando desconecte el cargador.** De esta forma se reduce el riesgo de daño al enchufe y cable.

- **Asegúrese de que el cable no sea ubicado de manera que podría ser pisado, causar que alguien tropiece con él o ser expuesto a otro tipo de daños y desgastes.**
- **No use un alargador a menos que sea absolutamente necesario.** El uso de un alargador incorrecto podría producir riesgo de incendios, descargas eléctricas o electrocución.
- **Cuando opere un cargador al exterior, hágalo siempre en un lugar seco y use un alargador apropiado para uso al exterior.** El uso de un alargador apropiado para uso al exterior reduce el riesgo de descarga eléctrica.
- **Los hilos del alargador deben ser de un calibre apropiado (AWG o American Wire Gauge) para su seguridad.** Mientras menor sea el calibre del hilo, mayor la capacidad del cable. Es decir, un hilo calibre 16 tiene mayor capacidad que uno de 18. Un cable de un calibre insuficiente causará una caída en la tensión de la línea dando por resultado una pérdida de energía y sobrecalentamiento. Cuando se utilice más de un alargador para completar el largo total, asegúrese que los hilos de cada alargador tengan el calibre mínimo. La tabla siguiente muestra el tamaño correcto a utilizar, dependiendo de la longitud del cable y del amperaje nominal de la placa de identificación. Si tiene dudas sobre cuál calibre usar, use un calibre mayor. Cuanto menor sea el número del calibre, más resistente será el cable.

Calibre mínimo de conjuntos de cables

Voltios		Longitud total del cable en pies (metros)			
		25 (7,6)	50 (15,2)	100 (30,5)	150 (45,7)
120 V		25 (7,6)	50 (15,2)	100 (30,5)	150 (45,7)
240 V		50 (15,2)	100 (30,5)	200 (61,0)	300 (91,4)
Amperaje nominal		AWG			
Más de	No Más de				
0	6	18	16	16	14
6	10	18	16	14	12
10	12	16	16	14	12
12	16	14	12		No recomendado

- **No coloque ningún objeto encima del cargador ni coloque a este sobre una superficie blanda que pudiera bloquear las ranuras de ventilación y resultar en un calor interno excesivo.** Coloque el cargador en un lugar alejado de cualquier fuente de calor. El cargador se ventila a través de las ranuras que se encuentran en la parte superior e inferior de la caja protectora.
- **No opere el cargador si su cable o enchufe están dañados—reemplácelos de inmediato.**
- **No opere el cargador si ha recibido un golpe agudo, si se ha caído o si ha sido dañado de alguna otra forma.** Llévelo a un centro de servicio autorizado.
- **No desarme el cargador; llévelo a un centro de servicio autorizado cuando deba ser reparado.** Si es reensamblado incorrectamente, puede causar descargas eléctricas, electrocución o incendios.

- **Desenchufe el cargador antes de intentar limpiarlo.** Esto reducirá el riesgo de descargas eléctricas. El retirar el paquete de baterías no reducirá este riesgo.
- **NUNCA** intente conectar 2 cargadores entre sí.
- **El cargador está diseñado para operar con una corriente eléctrica estándar residencial de 120 V. No intente usarlo con ningún otro voltaje.** Esto no aplica al cargador vehicular.



ADVERTENCIA: Peligro de descarga eléctrica. No permita que ningún líquido se introduzca en el cargador. Puede producir descargas eléctricas.



ADVERTENCIA: Peligro de quemaduras. No sumerja la unidad de batería en líquido de ningún tipo ni permita que se introduzca ningún tipo de líquido a la unidad de batería. Nunca intente abrir la unidad de batería por ningún motivo. Si la caja plástica de la unidad de batería se triza o rompe, llévela a un centro de servicio para su reciclaje.



ATENCIÓN: Peligro de quemaduras. Para reducir el riesgo de lesiones, sólo cargue unidades de batería recargables marca . Otros tipos de batería podrían sobrecalentarse y reventar lo que podría resultar en lesiones corporales y daños a su propiedad.









ATENCIÓN: Bajo ciertas condiciones, cuando el cargador está enchufado a una toma de corriente, el cargador puede hacer cortocircuito si entra en contacto con algún material ajeno. Los materiales ajenos de naturaleza conductora, como el polvo de esmerilado, las placas de metal, la lana de acero, el papel de aluminio y otros, o cualquier acumulación de partículas metálicas deberían mantenerse alejados de las cavidades del cargador. Desenchufe siempre el cargador cuando no haya una unidad de batería en su cavidad. Desenchufe el cargador antes de intentar limpiarlo.

Carga de la Batería

NOTA: Para garantizar el máximo desempeño y la vida útil de los paquetes de baterías de iones de litio, cargue la batería por completo antes del primer uso.

1. Conecte el cargador en un tomacorriente apropiado antes de insertar el paquete de batería.
2. Conecte el cargador y el paquete de baterías, asegurándose que la batería esté completamente asentada. La luz (carga) parpadeará continuamente indicando que el proceso de carga ha comenzado.
3. La terminación de la carga se indicará por la luz que permanece encendida continuamente. El paquete de batería está completamente cargado y se puede retirar y usar en este momento o dejarse en el cargador.

NOTA: Para retirar el paquete de la batería, algunos cargadores requieren que se presione el botón de liberación del paquete de batería.

Indicators	
	Unidad en Proceso de Carga 
	Unidad Cargada 
	Retraso por Unidad Caliente/ Fría 

Un cargador no cargará una batería defectuosa. El cargador que se niega a encenderse podría indicar un problema con el cargador.

NOTA: Si el cargador no quiere encender, lleve el cargador y el paquete de batería para que los prueben en un centro de servicio autorizado.

Retraso por Batería Caliente/Frías

Cuando el cargador detecta que una batería está demasiado caliente o demasiado fría, inicia automáticamente un Retraso por batería caliente/frías y suspende la carga hasta que la batería alcanza una temperatura adecuada. En ese momento, el cargador inicia automáticamente el modo de carga de la batería. Esta función garantiza la máxima duración de la batería.

Una batería fría puede cargar más lentamente que una batería caliente.

Notas Importantes Sobre la Carga

- Se puede obtener una mayor duración y un mejor rendimiento si la unidad de batería se carga a una temperatura ambiente de 18°–24 °C (65–75 °F). NO cargue cuando el paquete de batería esté debajo de +4,5 °C (+40 °F), o arriba de +40 °C (+104 °F). Esto es importante y evitará causar daños graves a la batería.
- Puede que el cargador y la unidad de batería se calienten ligeramente durante el proceso de carga. Esto es normal y no representa ningún problema. Para facilitar el enfriamiento de la unidad de batería después del uso, evite colocar el cargador o la unidad de batería en un lugar cálido, como un cobertizo metálico o un remolque sin aislamiento térmico.
- Si la unidad de batería no se carga correctamente:
 - Verifique el funcionamiento de la toma enchufando una lámpara u otro aparato;
 - Revise que la toma de corriente no esté conectada a un interruptor de luz que corte la corriente cuando se corte la luz;
 - Mueva el cargador y la unidad de batería a un lugar donde la temperatura ambiental sea aproximadamente 18–24 °C (65–75 °F);
 - Si el problema de carga continúa, lleve la herramienta, unidad de batería y el cargador a su centro de servicio local.
- La unidad de batería debería ser recargada cuando no sea capaz de producir suficiente potencia para trabajos que eran fácilmente realizados antes. NO CONTINÚE usándola bajo estas circunstancias. Siga el procedimiento de carga. También puede cargar una unidad de batería que haya sido usada parcialmente cuando lo desee, sin dañarla.

- Los materiales ajenos conductores por naturaleza, tales como, pero sin limitarse a, el polvo del esmerilado, las virutas metálicas, la lana de acero, el papel de aluminio o cualquier acumulación de partículas metálicas deberían mantenerse alejados de las cavidades del cargador. Desenchufe siempre el cargador de la toma de corriente cuando no haya una unidad de batería en su cavidad. Desenchufe el cargador antes de intentar limpiarlo.
- No congele ni sumerja el cargador en agua o cualquier otro líquido.

Instrucciones de Limpieza del Cargador



ADVERTENCIA: Riesgo de descarga eléctrica.

Desconecte el cargador del tomacorriente de CA antes de limpiarlo. Para limpiar la suciedad y grasa del exterior del cargador puede usarse un paño o cepillo suave no metálico. No use agua ni soluciones limpiadoras.

Montaje en la Pared

Estos cargadores están diseñados para montarse en la pared o colocarse en posición vertical sobre una mesa o superficie de trabajo. Si lo monta en la pared, coloque el cargador al alcance de una toma de corriente eléctrica y alejado de las esquinas u otras obstrucciones que puedan impedir el flujo de aire. Utilice la parte de atrás del cargador como plantilla para la ubicación de los tornillos de montaje en la pared. Monte el cargador firmemente utilizando tornillos para muro seco (comprados por separado) de un mínimo de 25,4 mm (1") de largo, con una cabeza de un diámetro de 7-9 mm (0,28–0,35"), atornillados en madera hasta una profundidad óptima dejando el tornillo expuesto aproximadamente 5,5 mm (7/32"). Alinee las ranuras en la parte trasera del cargador con los tornillos expuestos e introdúzcalos totalmente en las ranuras.

Versatrack

Los cargadores CRAFTSMAN pueden montarse en la pared con VersaTrack Trackwall de CRAFTSMAN. Los ganchos y accesorios se venden por separado. Consulte la hoja de accesorios VersaTrack Trackwall para obtener más información.

GUARDE ESTAS INSTRUCCIONES PARA VOLVER A CONSULTAR EN EL FUTURO

COMPONENTES (FIG. A)

Uso Debido

Su pulidora de ángulo pequeño se diseñó para uso doméstico para aplicaciones de pulido, lijado y cepillo de alambre.

NO utilice la herramienta en condiciones de humedad o en presencia de líquidos o gases inflamables.

NO permita que los niños toquen la herramienta. Si el operador no tiene experiencia operando esta herramienta, su uso deberá ser supervisado.

MONTAJE Y AJUSTES

⚠ **ADVERTENCIA:** Para reducir el riesgo de lesiones personales, apague la unidad y retire el paquete de batería antes de realizar cualquier ajuste o retirar/instalar conexiones o accesorios. Una activación de arranque accidental puede causar lesiones.

Conexión del Mango Auxiliar (Fig. A)

⚠ **ADVERTENCIA:** Este mango DEBE UTILIZARSE EN TODO MOMENTO para mantener el completo control de la herramienta. Siempre asegúrese de que el mango esté fijo.

Atornille la manija auxiliar **7** firmemente en uno de los orificios de montaje roscados de la caja de engranes.

Protector de Montaje

Montaje y Extracción del Protector (Tipo 27)

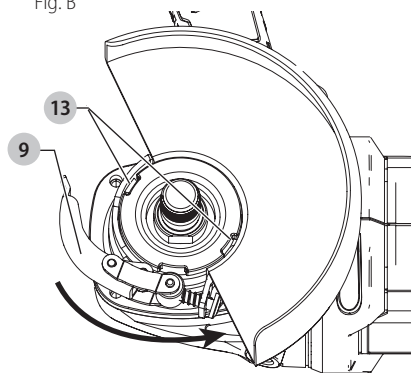
⚠ **ATENCIÓN:** Para reducir el riesgo de lesiones personales, apague la unidad y retire el paquete de batería antes de realizar cualquier ajuste o retirar/instalar conexiones o accesorios.

NOTA: Las protecciones deben usarse con todas las ruedas abrasivas, discos de aleta de lijado, cepillos de alambre, y ruedas de alambre. La herramienta se puede usar sin protección sólo cuando se lija con discos de lijado convencionales. La protección está diseñada para uso con ruedas centrales presionadas (Tipo 27) y ruedas de lijado con cubo (Tipo 27). La misma protección está diseñada para usarse con discos de aleta de lijado (Tipo 27 y 29) y cepillos de copa de alambre.

Montaje del Protector (Fig. B)

1. Abra la palanca de liberación de la protección **9**, y alinee las orejas en la protección **13** con las ranuras en la cubierta de la caja de engranes.
2. Empuje el protector hacia abajo hasta que las lengüetas del protector enganchen y giren libremente en la ranura del cubo de la caja de engranes.
3. Con el cerrojo del protector abierto, gire el protector hasta la posición de trabajo deseada. El cuerpo del protector debe quedar colocado entre el eje y el operador, para proveer la máxima protección al operador.
4. Cierre el cerrojo del protector para asegurarlo a la caja de engranes. No se debe poder girar el protector manualmente cuando el cerrojo está cerrado. No haga funcionar la esmeriladora con un protector flojo o con la palanca de la abrazadera en la posición de abierta.

Fig. B

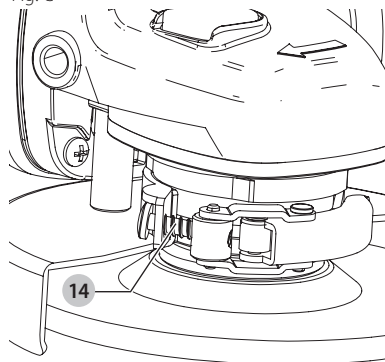


Extracción del Protector (Fig. A, C)

Para retirar el protector, abra el cerrojo del protector, gire el protector de manera que las lengüetas de éste **13** estén alineadas con las ranuras de la cubierta de la caja de engranes y tire del protector hacia arriba.

NOTA: El protector ha sido ajustado en fábrica para el diámetro del cubo de la caja de engranes. Si, después de un tiempo, el protector se afloja, apriete el tornillo de ajuste **14** con el pasador en la posición cerrada y el protector instalado en la herramienta.

Fig. C



⚠ **ATENCIÓN:** No apriete el tornillo de ajuste con el pasador en la posición abierta. Puede producir un daño indetectable al protector o al cubo de montaje. Si no se puede apretar el protector ajustando el pasador, no utilice la herramienta y llévela a un centro de mantenimiento para la reparación o el reemplazo del protector.

Bridas y Discos

⚠ **ATENCIÓN:** Para reducir el riesgo de lesiones personales, apague la unidad y retire el paquete de batería antes de realizar cualquier ajuste o retirar/instalar conexiones o accesorios.

Montaje de Discos sin Cubo (Fig. A, D, E)

ADVERTENCIA: El no fijar adecuadamente las bridas y/o el disco podría ocasionar lesiones graves (o daño a la herramienta o el disco).

ATENCIÓN: Las bridas incluidas deben usarse con discos de esmerilado tipo 27/42 con el centro hundido. Consulte la **Tabla de Accesorios** para obtener más información.

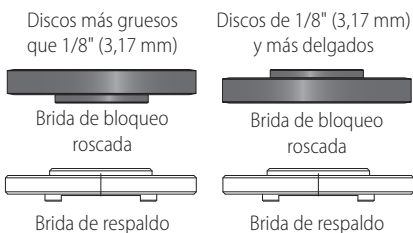
ADVERTENCIA: El usar una brida o protector dañados o el no usar una brida y protector adecuados puede ocasionar lesiones debido a la rotura del disco y al contacto con el disco. Consulte la **Tabla de Accesorios** para obtener más información.

Los discos de esmerilar de centro hundido Tipo 27 se deben utilizar con las bridas provistas.

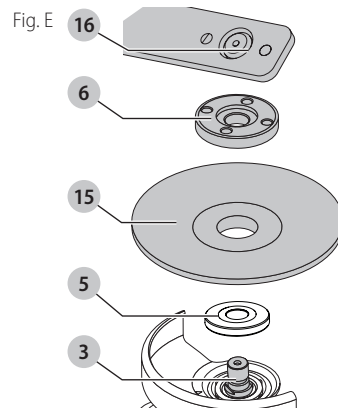
1. Coloque la herramienta en una mesa con el protector hacia arriba.
2. Instale la brida de respaldo sin rosca **5** en el eje **3** con la sección elevada (piloto) contra el disco.
3. Coloque el disco **15** contra la brida de respaldo, centre el disco sobre la sección elevada (piloto) de la brida de respaldo.
4. Mientras oprime el botón de bloqueo del eje, enrosque la tuerca de fijación **6** en el eje.

NOTA: Si la rueda que está instalando tiene un espesor mayor a 3,17 mm (1/8"), coloque la brida de bloqueo roscada sobre el husillo de forma que la sección levantada (piloto) se ajuste en el centro de la rueda. Si la rueda que está instalando tiene un espesor mayor a 3,17 mm (1/8") o menos, coloque la brida de bloqueo roscada sobre el husillo de forma que la sección levantada (piloto) no esté contra la rueda.

Fig. D



5. Para retirar el disco, oprima el botón de bloqueo del eje y afloje la tuerca de fijación roscada con la llave incluida.



Montaje de las Almohadillas de Respaldo de Lijado (Fig. A, F)

NOTA: No es necesario el uso de un protector con discos para lijado que utilizan almohadillas de respaldo, a menudo llamados discos de resina de fibra. Puesto que no se necesita un protector para estos accesorios, el protector puede ajustarse o no correctamente si se utiliza.

ADVERTENCIA: El no fijar adecuadamente la tuerca de fijación y/o la almohadilla podría ocasionar lesiones graves (o daño a la herramienta o el disco).

ADVERTENCIA: Debe volver a instalarse un protector adecuado para aplicaciones con disco de esmerilado, disco de lijado con aletas, cepillo de alambre o disco de alambre una vez terminadas las aplicaciones de lijado.

1. Coloque o enrosque adecuadamente la almohadilla de respaldo **17** en el eje.
2. Coloque el disco de lijado **18** en la almohadilla de respaldo **17**.
3. Presionando el botón del seguro del eje **4**, enrosque la tuerca de fijación de lijado **19** en el eje, colocando el cubo elevado de la tuerca de fijación en el centro del disco de lijado y la almohadilla de respaldo.
4. Apriete a mano la tuerca de fijación. Luego presione el botón del seguro del eje mientras gira el disco de lijado hasta que éste y la tuerca de fijación estén bien ajustados.
5. Para retirar el disco, agarre y gire la almohadilla de respaldo y la almohadilla de lijado mientras presiona el botón de seguro del eje.

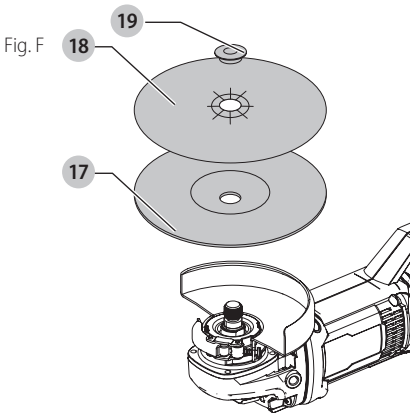


Fig. F

Montaje y Retiro de los Discos con Cubo (Fig. A)

Los discos con cubo se instalan directamente en el eje. La rosca del accesorio debe coincidir con la rosca del eje.

1. Saque la brida de respaldo jalándola de la herramienta.
2. Enrosque el disco en el eje 3 a mano.
3. Presione el botón de seguro del eje 4 y utilice una llave para apretar el cubo del disco.
4. Invierta el procedimiento anterior para retirar el disco.

AVISO: *El no colocar bien el disco antes de encender la herramienta puede ocasionar daño a ésta o al disco.*

Montaje de Cepillos de Copa de Alambre y Discos de Alambre (Fig. A)

⚠️ ADVERTENCIA: *El no fijar adecuadamente el cepillo o el disco podría ocasionar lesiones graves (o daño a la herramienta o el disco).*

⚠️ ATENCIÓN: *Para reducir el riesgo de lesiones corporales, use guantes de trabajo cuando maneje cepillos y discos de alambre. Pueden estar afilados.*

⚠️ ATENCIÓN: *Para reducir el riesgo de daño a la herramienta, el disco o el cepillo no deben tocar el protector al montarse o durante su uso. Podría producirse un daño no detectable al accesorio, que ocasione la fragmentación de alambres del accesorio de disco o cepillo de copa.*

Los cepillos de copa de alambre o los discos de alambre se instalan directamente en el eje roscado sin el uso de bridas. Utilice solamente los cepillos o discos de alambre suministrados con un cubo roscado. Estos accesorios pueden obtenerse por un costo adicional en su distribuidor local o centro de servicio autorizado.

1. Coloque la herramienta en una mesa con el protector hacia arriba.
2. Enrosque el disco en el eje a mano.
3. Presione el botón del seguro del eje 4 y utilice una llave en el cubo del disco o cepillo de alambre para ajustar el disco.
4. Para retirar el disco, invierta el procedimiento anterior.

AVISO: *Para reducir el riesgo de daño a la herramienta, fije bien el cubo del disco antes de encender la herramienta.*

Antes de Usar la Máquina

- Instale el protector y el disco o muela apropiada. No utilice discos o muelas excesivamente desgastados.
- Compruebe que la brida de bloqueo de respaldo y roscada estén montadas correctamente. Siga las instrucciones indicadas en la **Tabla de accesorios**.
- Compruebe que el disco o la muela giren en dirección de las flechas en el accesorio y la herramienta.
- No utilice un accesorio dañado. Antes de cada uso inspeccione el accesorio, como por ejemplo los discos abrasivos, para verificar si tienen muescas o grietas, la almohadilla de respaldo para verificar si tiene grietas o roturas o si está muy desgastada, el cepillo de alambre para comprobar si tiene alambres sueltos o agrietados. Si la herramienta o el accesorio se caen accidentalmente, revise que no estén dañados o, si es necesario, cambie el accesorio por uno que no esté dañado. Después de inspeccionar e instalar un accesorio, colóquense usted y las personas presentes alejados del plano del accesorio en movimiento y ponga la herramienta eléctrica en funcionamiento a la velocidad sin carga máxima durante un minuto. Si el accesorio está dañado, normalmente se terminará de romper durante este período de prueba.

OPERACIÓN

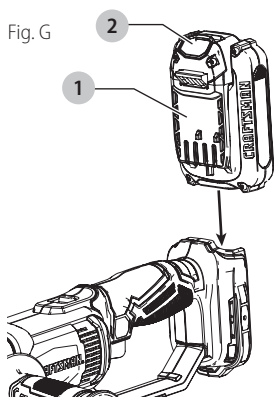
⚠️ ADVERTENCIA: *Para reducir el riesgo de lesiones personales, apague la unidad y retire el paquete de batería antes de realizar cualquier ajuste o retirar/instalar conexiones o accesorios. Una activación de arranque accidental puede causar lesiones.*

Cómo Instalar y Retirar la Unidad de Batería (Fig. G)

NOTA: Para mejores resultados, verifique que su unidad de batería esté completamente cargada.

Para instalar la unidad de batería 1 en el mango de la herramienta, alinee la unidad de batería con los rieles en el interior del mango de la herramienta y deslícela en el mango hasta que la unidad de batería quede firmemente insertada en la herramienta; verifique que ésta no se salga sola.

Para retirar la unidad de batería de la herramienta, presione el botón de liberación 2 y tire firmemente de la de batería para sacarla del mango de la herramienta. Insértela en el cargador tal como se describe en la sección del cargador de este manual.



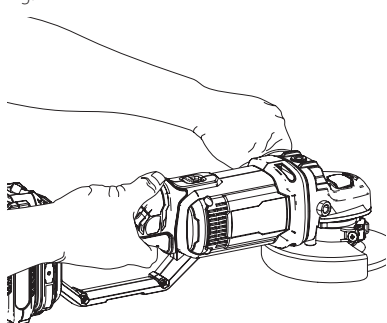
Posición Adecuada de las Manos (Fig. A, H)

⚠ ADVERTENCIA: Para reducir el riesgo de lesión personal grave, tenga **SIEMPRE** las manos en una posición adecuada como se muestra.

⚠ ADVERTENCIA: Para reducir el riesgo de lesión personal grave, sujete **SIEMPRE** bien en caso de que haya una reacción repentina.

La posición de manos adecuada requiere una mano en la manija auxiliar 7, con la otra mano sobre el cuerpo de la herramienta.

Fig. H



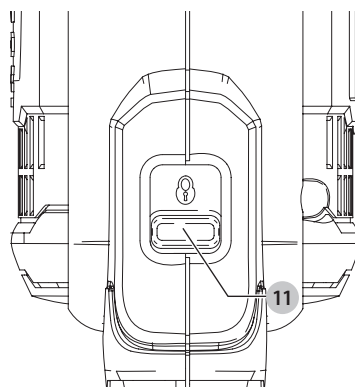
Botón de Bloqueo e Interruptor Disparador (Fig. I-K)

Su desbastadora está equipada con un botón de bloqueo 11.

- Para bloquear el interruptor disparador 10, mueva el botón de bloqueo 11 a la parte trasera como se muestra en la Figura I. Cuando el botón de bloqueo se encuentra en esta posición, el interruptor disparador está bloqueado.

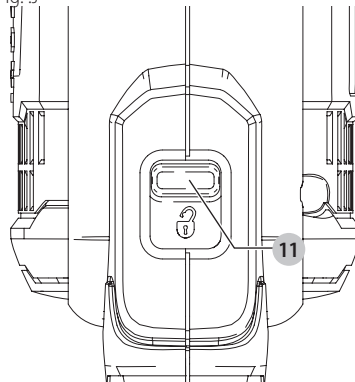
NOTA: Cuando transporte o almacene la herramienta, trabe siempre el interruptor disparador para evitar el arranque accidental.

Fig. I



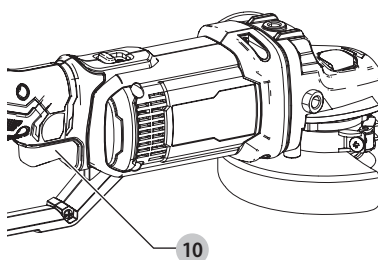
- Para desbloquear el interruptor disparador, mueva el botón de bloqueo al frente. Cuando el botón de bloqueo se encuentra en esta posición, el interruptor disparador está desbloqueado.

Fig. J



- Para encender el motor, tire del interruptor disparador 10. Para apagar el motor, libere el interruptor disparador.

Fig. K



NOTA: Esta herramienta no permite bloquear el interruptor en la posición de ENCENDIDO y nunca debe bloquearse en esta posición de ninguna otra forma.

ESPAÑOL

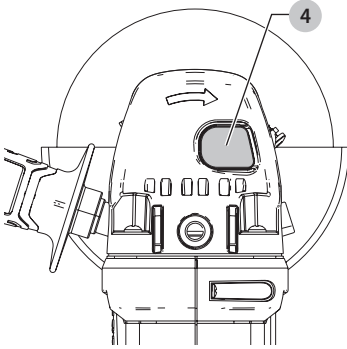
Sostenga el mango lateral **7** y el cuerpo de la herramienta con firmeza para mantener el control al encenderla y mientras la utiliza, y hasta que el disco o el accesorio deje de girar. Asegúrese de que el disco se haya detenido completamente antes de depositar la herramienta sobre una superficie.

Permita que la herramienta alcance la velocidad máxima antes de aplicarla a la superficie de trabajo. Levante la herramienta de la superficie de trabajo antes de apagarla.

Bloqueo del Eje (Fig. L)

1. La clavija de bloqueo del eje **4** tiene como fin evitar que el eje gire cuando se instalan o retiran discos. Use el bloqueo del eje únicamente cuando la herramienta esté apagada y no tenga la batería y el disco se haya detenido por completo.
2. No active el bloqueo del eje mientras la herramienta esté funcionando. De lo contrario, es posible que se produzcan daños a la herramienta o que el accesorio salga despedido y provoque lesiones personales.
3. Para activar el bloqueo, oprima el botón de bloqueo del eje que se muestra en la Figura L y gire el eje hasta que no lo pueda girar más.

Fig. L



Esmerilado, Lijado y Cepillado Metálico de Superficies (Fig. M)

⚠ ATENCIÓN: Utilice siempre un protector correcto según las instrucciones de este manual.

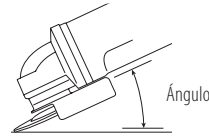
⚠ ADVERTENCIA: Acumulación de polvo metálico. El uso extensivo de discos de aletas en las aplicaciones de metal puede resultar en un mayor potencial de descarga eléctrica. Para reducir el riesgo, introduzca un DCR antes de usarlos y limpie las ranuras de ventilación a diario soplando en ellas aire comprimido seco según las instrucciones de mantenimiento que se indican más abajo.

Para realizar un trabajo en la superficie de una pieza de trabajo:

1. Permita que la herramienta alcance la velocidad máxima antes de ponerla en contacto con la superficie de trabajo.

2. Aplique una presión mínima a la superficie de trabajo, permitiendo a la herramienta operar a alta velocidad. La velocidad de eliminación de material es mayor cuando la herramienta opera a velocidad alta.

Fig. M



3. Mantenga un ángulo apropiado entre la herramienta y la superficie de trabajo. Consulte la tabla de acuerdo con la función particular.

Función	Ángulo
Esmerilado	20°-30°
Lijado con disco de aletas	5°-10°
Lijado con almohadilla de respaldo	5°-15°
Cepillado metálico	5°-10°

4. Mantenga el contacto entre el borde del disco y la superficie de trabajo.
 - Para operaciones de esmerilado, lijado con discos de aletas o cepillado metálico desplace la herramienta continuamente con un movimiento hacia adelante y hacia atrás para evitar crear surcos en la superficie de trabajo.
 - Si lija con una almohadilla de respaldo, desplace la herramienta constantemente en línea recta para no quemar ni rayar la superficie de trabajo.

NOTA: Las partes en movimiento de la herramienta pueden dañar la superficie de trabajo.

5. Quite la herramienta de la superficie de trabajo antes de apagarla. Permita que la herramienta deje de girar antes de soltarla.

⚠ ATENCIÓN: Tenga mucho cuidado cuando trabaje sobre un borde, pues puede producirse un movimiento brusco y repentino de la esmeriladora.

Precauciones que Deben Tomarse al Trabajar en una Pieza de Trabajo Pintada

1. NO SE RECOMIENDA el lijado o cepillado metálico de pinturas a base de plomo debido a la dificultad de controlar el polvo contaminado. La intoxicación por plomo es más peligrosa para niños y mujeres embarazadas.
2. Ya que es difícil identificar si una pintura contiene plomo o no, sin antes hacer un análisis químico, recomendamos que se tomen las siguientes precauciones al lijar cualquier pintura:

Seguridad Personal

1. Ningún niño o mujer embarazada debería entrar al área de trabajo donde se esté lijando o cepillando con escobilla metálica pintura hasta que se haya terminado de limpiar el área.

2. Todas las personas que entren en el área de trabajo deben usar una mascarilla antipolvo o un respirador. El filtro debería ser reemplazado a diario o cuando el usuario tenga dificultades para respirar.

NOTA: Sólo se deberían utilizar aquellas mascarillas antipolvo adecuadas para trabajar con polvo y gases de pinturas con plomo. Las mascarillas regulares para pintar no ofrecen esta protección. Visite su distribuidor de ferretería local para obtener la máscara N.I.O.S.H. correcta.

3. No se debe COMER, BEBER ni FUMAR en el área de trabajo para evitar ingerir partículas de pintura contaminada. Los trabajadores se deben lavar y limpiar ANTES de comer, beber o fumar. No deben dejarse artículos de comida, bebida o tabaco en el área de trabajo donde se podría depositar polvo sobre ellos.

Seguridad Ambiental

1. La pintura debe ser retirada de manera que se reduzca al mínimo la cantidad de polvo generado.
2. Las áreas donde se realiza remoción de pintura deben estar selladas con láminas de plástico de 4 mm de grosor.
3. El lijado debería hacerse de modo que se reduzcan los vestigios de polvo de pintura fuera del área de trabajo.

Limpieza y Eliminación de Residuos

1. Todas las superficies del área de trabajo deben ser limpiadas en profundidad y repasadas con aspiradora todos los días mientras dure el proyecto de lijado. Las bolsas de filtro de la aspiradora deben cambiarse con frecuencia.
2. Las láminas de protección de plástico deben recogerse y eliminarse junto con el polvo y cualquier otro residuo. Deberán colocarse en un recipiente para desechos sellado y eliminarse de acuerdo con los procedimientos normales de eliminación de la basura. Durante la limpieza, se impedirá a niños y mujeres embarazadas el acceso al área de trabajo.
3. Todos los juguetes, muebles lavables y utensilios usados por niños deberán lavarse a fondo antes de volverlos a usar.

Esmerilado de Bordes

No esmerilado de bordes con esta herramienta.

Uso de Almohadillas de Respaldo para Lijar

Elija un papel de lija de grano adecuado para su aplicación. Los discos para lijarse están disponibles en diversos granos. Los granos gruesos retiran material con más rapidez y producen un acabado más áspero. Los granos más finos retiran material más lentamente y producen un acabado más liso. Comience con discos de grano grueso para retirar material groseramente, con más rapidez. Luego pase a un papel de grano mediano y termine con un disco de grano fino para un acabado óptimo.

Papel de Lija	Grano
Grano Grueso	16–30

Papel de Lija	Grano
Grano Mediano	36–80
Acabado Fino	100–120
Acabado muy Fino	150–180

1. Permita que la herramienta alcance la velocidad máxima antes de aplicarla a la superficie de trabajo.
2. Aplique un mínimo de presión sobre la superficie de trabajo, permitiendo que la herramienta funcione a alta velocidad. La velocidad de lijado es mayor cuando la herramienta opera a alta velocidad.
3. Figura M - Mantenga un ángulo de 5° a 15° entre la herramienta y la superficie de trabajo. El disco de lijar debe hacer contacto con 25 mm (1") de la superficie de trabajo, aproximadamente.
4. Mueva la herramienta constantemente en una línea recta para no quemar ni marcar círculos en la superficie de trabajo. Apoyar la herramienta sobre la superficie de trabajo, sin moverla, o mover la herramienta en círculos provoca quemaduras y marcas circulares sobre la superficie.
5. Retire la herramienta de la superficie de trabajo antes de apagarla. Permita que la herramienta deje de girar antes de depositarla sobre una superficie.

Uso de Cepillos de Alambre con Forma de Copa y Discos de Alambre

Los discos y los cepillos de alambre se pueden utilizar para eliminar óxido, escamas y pintura, y para alisar superficies irregulares.

NOTA: Las mismas precauciones se deben tomar cuando cepille pintura con un cepillo de alambre o cuando lije pintura.

1. Permita que la herramienta alcance la velocidad máxima antes de aplicarla a la superficie de trabajo.
2. Aplique un mínimo de presión sobre la superficie de trabajo, permitiendo que la herramienta funcione a alta velocidad. La velocidad de remoción de material es mayor cuando la herramienta opera a alta velocidad.
3. Mantenga un ángulo de 5° a 10° entre la herramienta y la superficie de trabajo para los cepillos de alambre con forma de copa.
4. Con los discos de alambre, mantenga contacto entre el borde del disco y la superficie de trabajo.
5. Mueva continuamente la herramienta hacia adelante y hacia atrás para evitar la creación de estrías. Apoyar la herramienta sobre la superficie de trabajo, sin moverla, o mover la herramienta en círculos provoca quemaduras y marcas circulares sobre la superficie.
6. Retire la herramienta de la superficie de trabajo antes de apagarla. Permita que la herramienta deje de girar antes de depositarla sobre una superficie.
7. Tenga especial cuidado cuando trabaje sobre un borde, ya que se puede producir un movimiento fuerte y súbito de la esmeriladora.

MANTENIMIENTO



ADVERTENCIA: Para reducir el riesgo de lesiones personales, apague la unidad y retire el paquete de batería antes de realizar cualquier ajuste o retirar/instalar conexiones o accesorios.

Una activación de arranque accidental puede causar lesiones.

Limpieza



ADVERTENCIA: Sople la suciedad y el polvo de todos los conductos de ventilación con aire seco, al menos una vez por semana. Para reducir el riesgo de lesiones, utilice siempre protección para los ojos aprobada ANSI Z87.1 al realizar esta tarea.



ADVERTENCIA: Nunca utilice solventes ni otros químicos abrasivos para limpiar las piezas no metálicas de la herrio -30. amienta. Estos productos químicos pueden debilitar los materiales plásticos utilizados en estas piezas. Utilice un paño humedecido sólo con agua y jabón neutro. Nunca permita que penetre líquido dentro de la herramienta ni sumerja ninguna de las piezas en un líquido.

Como procedimiento de mantenimiento necesario, limpie el polvo y la arenilla acumulada en la caja protectora del motor con aire comprimido. El polvo y la arenilla provenientes del esmerilado de metal generalmente se acumulan en las superficies interiores y pueden crear peligro de choque eléctrico si no se limpian.

- Siempre manipule los accesorios con cuidado al montarlos o quitarlos.
- El mejor lugar de almacenamiento para los accesorios es uno que esté fresco y seco, alejado de la luz solar directa y del exceso de calor o frío.



ADVERTENCIA: USE SIEMPRE LENTES DE SEGURIDAD. Los anteojos de uso diario NO son lentes de seguridad. Utilice también máscaras faciales o para polvo si el corte produce polvillo. UTILICE SIEMPRE EQUIPOS DE SEGURIDAD CERTIFICADOS:

- Protección para los ojos según la norma ANSI Z87.1 (CAN/CSA Z94.3)
- Protección auditiva según la norma ANSI S12.6 (S3.19)
- Protección respiratoria según las normas NIOSH/OSHA/MSHA
- Para limpiar la herramienta, utilice únicamente jabón suave y un paño húmedo. Nunca permita que penetre líquido dentro de la herramienta y nunca sumerja las piezas de la herramienta en un líquido.

Accesorios



ADVERTENCIA: Debido a que no se han probado con este producto otros accesorios que no sean los que ofrece CRAFTSMAN, el uso de dichos accesorios con esta herramienta podría ser peligroso. Para reducir el riesgo de lesiones, con este producto deben usarse sólo los accesorios recomendados por CRAFTSMAN.

Los accesorios que se recomiendan para utilizar con la herramienta están disponibles a un costo adicional en su distribuidor local o en un centro de mantenimiento autorizado. Si necesita ayuda para localizar algún accesorio, póngase en contacto con Craftsman, llame al **1-888-331-4569**.

Versatrack™ (Fig. O)



ADVERTENCIA: Para reducir el riesgo de lesiones personales, apague la unidad y retire el paquete de batería antes de realizar cualquier ajuste o retirar/instalar conexiones o accesorios.

Una activación de arranque accidental puede causar lesiones.



ADVERTENCIA: Para reducir el riesgo de lesiones personales graves, no use un gancho para colgar Versatrack™ o Trackwall de Versatrack™ dañados. Un gancho para colgar Versatrack™ o Trackwall de Versatrack™ dañados no soportarán el peso de la herramienta.



ADVERTENCIA: Para reducir el riesgo de lesiones personales serias, asegúrese que el tornillo que sujeta el accesorio esté apretado firmemente.



ADVERTENCIA: Para reducir el riesgo de lesiones personales graves, NO suspenda la herramienta por encima ni cuelgue objetos del gancho. SÓLO suspenda la herramienta en el Trackwall de Versatrack™ con el gancho para colgar Versatrack™.



ADVERTENCIA: Asegúrese que el peso de la herramienta no exceda el peso máximo nominal para el gancho Versatrack™ seleccionado.



ADVERTENCIA: Cuando cuelgue objetos en la pared Versatrack™, espacie adecuadamente las herramientas para no exceder 35 kg (75 lbs) por pie lineal.

IMPORTANTE: Cuando conecte el gancho para colgar Versatrack, sólo use el tornillo incluido. Asegúrese de apretar bien el tornillo. Los accesorios Versatrack™ montan herramientas compatibles con seguridad al sistema Trackwall de Versatrack™.

1. Apague la herramienta, retire los accesorios y retire el paquete de batería.

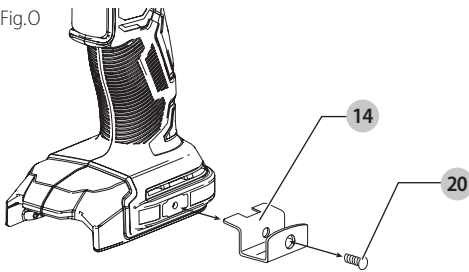


ATENCIÓN: Cualquier producto con dientes de corte expuestos debe tenerlos cubiertos de forma segura si va a estar en el Trackwall.

2. Conecte el gancho de colgar **14** a la herramienta.
 - a. Coloque el gancho de colgar Versatrack™ en la ubicación de montaje en la base de la herramienta. No use ningún otro tornillo **20** para esto.
 - b. Use un destornillador para asegurar el gancho de colgar con el tornillo provisto.

NOTA: Los accesorios Versatrack™ para uso con su herramienta están disponibles por un costo adicional a partir de su distribuidor local o centro de servicio autorizado. Si necesita ayuda para encontrar cualquier accesorio, comuníquese con CRAFTSMAN, llame al **1-888-331-4569**.

Fig.O



Reparaciones

El Cargador y las unidades de batería no pueden ser reparados. El cargador y la unidad de batería no contienen piezas reparables.



ADVERTENCIA: Para asegurar la SEGURIDAD y la CONFIABILIDAD del producto, las reparaciones, el mantenimiento y los ajustes (inclusive la inspección y el cambio de las escobillas, cuando proceda) deben ser realizados en un centro de mantenimiento en la fábrica CRAFTSMAN u en un centro de mantenimiento autorizado CRAFTSMAN. Utilice siempre piezas de repuesto idénticas.

Para reparación y servicio de sus herramientas eléctricas, favor de dirigirse al Centro de Servicio más cercano

CULIACAN, SIN

Bld. Emiliano Zapata 5400-1 Poniente Col. (667) 717 89 99
San Rafael

GUADALAJARA, JAL

Av. La Paz #1779 - Col. Americana Sector (33) 3825 6978
Juárez

MEXICO, D.F.

Eje Central Lázaro Cárdenas No. 18 - Local (55) 5588 9377
D, Col. Obrera

MERIDA, YUC

Calle 63 #459-A - Col. Centro (999) 928 5038

MONTERREY, N.L.

Av. Francisco I. Madero 831 Poniente - Col. (818) 375 23 13
Centro

PUEBLA, PUE

17 Norte #205 - Col. Centro (222) 246 3714

QUERETARO, QRO

Av. San Roque 274 - Col. San Gregorio (442) 2 17 63 14

SAN LUIS POTOSI, SLP

Av. Universidad 1525 - Col. San Luis (444) 814 2383

TORREON, COAH

Bld. Independencia, 96 Pte. - Col. Centro (871) 716 5265

VERACRUZ, VER

Prolongación Díaz Mirón #4280 - Col. (229) 921 7016
Remes

VILLAHERMOSA, TAB

Constitución 516-A - Col. Centro (993) 312 5111

PARA OTRAS LOCALIDADES:

**Si se encuentra en México, por favor llame al
(55) 5326 7100**

**Si se encuentra en U.S., por favor llame al
1-888-331-4569**

Póliza de Garantía

IDENTIFICACIÓN DEL PRODUCTO:

Sello o firma del Distribuidor.

Nombre del producto: _____

Mod./Cat.: _____

Marca: _____

Núm. de serie: _____

(Datos para ser llenados por el distribuidor)

Fecha de compra y/o entrega del producto:

Nombre y domicilio del distribuidor donde se adquirió el producto:

Este producto está garantizado por un año a partir de la fecha de entrega, contra cualquier defecto en su funcionamiento, así como en materiales y mano de obra empleados para su fabricación. Nuestra garantía incluye la reparación o reposición del producto y/o componentes sin cargo alguno para el cliente, incluyendo mano de obra, así como los gastos de transportación razonablemente erogados derivados del cumplimiento de este certificado.

Para hacer efectiva esta garantía deberá presentar su herramienta y esta póliza sellada por el establecimiento comercial donde se adquirió el producto, de no contar con ésta, bastará la factura de compra.

Excepciones

Esta garantía no será válida en los siguientes casos:

- Cuando el producto se hubiese utilizado en condiciones distintas a las normales;
- Cuando el producto no hubiese sido operado de acuerdo con el instructivo de uso que se acompaña;
- Cuando el producto hubiese sido alterado o reparado por personas distintas a las enlistadas al final de este certificado.

Anexo encontrará una relación de sucursales de servicio de fábrica, centros de servicio autorizados y franquiciados en la República Mexicana, donde podrá hacer efectiva su garantía y adquirir partes, refacciones y accesorios originales.

ESPAÑOL

Solamente para propósito de México:
Importado por: Craftsman. Tool Co. S.A. de C.V.
Avenida Antonio Dovali Jaime, # 70 Torre B Piso 9
Colonia La Fe, Santa Fé
Código Postal : 01210
Delegación Alvaro Obregón
México D.F.
Tel. (52) 555-326-7100
R.F.C.: BDE810626-1W7

Registro en Línea

Gracias por su compra. Registre su producto ahora para:

- **SERVICIO EN GARANTÍA:** Si completa esta tarjeta, podrá obtener un servicio en garantía más eficiente, en caso de que exista un problema con su producto.
- **CONFIRMACIÓN DE PROPIEDAD:** En caso de una pérdida que cubra el seguro, como un incendio, una inundación o un robo, el registro de propiedad servirá como comprobante de compra.
- **PARA SU SEGURIDAD:** Si registra el producto, podremos comunicarnos con usted en el caso improbable que se deba enviar una notificación de seguridad conforme a la Federal Consumer Safety Act (Ley Federal de Seguridad de Productos para el Consumidor).

Registro en línea en www.craftsman.com/registration.

Garantía Limitada por Tres Años

CRAFTSMAN reparará o reemplazará, sin cargo, cualquier defecto debido a materiales o mano de obra defectuosos por un año desde la fecha de compra. Esta garantía no cubre falla de partes debido al desgaste normal o abuso de la herramienta. Para detalles adicionales de la cobertura de la garantía e información de reparación de garantía, visite www.craftsman.com o llame al **1-888-331-4569**. Esta garantía no se aplica a accesorios o daño causado cuando otros hayan realizado o intentado reparaciones. ESTA GARANTÍA LIMITADA SE OTORGA EN LUGAR DE TODAS LAS DEMÁS, INCLUIDA LA GARANTÍA IMPLÍCITA DE COMERCIABILIDAD E IDONEIDAD PARA UN PROPÓSITO EN PARTICULAR, Y EXCLUYE TODOS LOS DAÑOS INCIDENTALES O EN CONSECUENCIA. Algunos estados no permiten limitaciones sobre la duración de una garantía implícita o la exclusión o limitación de daños incidentales o en consecuencia, por lo que estas limitaciones pueden no aplicarse en su caso. Esta garantía le da derechos legales específicos y puede tener otros derechos que varían en ciertos estados o provincias.

2 AÑOS DE SERVICIO GRATUITO PARA UNIDADES DE ALIMENTACIÓN CRAFTSMAN

CMCB201, CMCB2011

3 AÑOS DE SERVICIO GRATUITO PARA UNIDADES DE ALIMENTACIÓN CRAFTSMAN

CMCB202, CMCB204

NOTA: La garantía del producto quedará nula si la unidad de batería ha sido alterada de cualquier manera. CRAFTSMAN no es responsable de ninguna lesión causada

por alteraciones y podría iniciar un procedimiento judicial por fraude de garantía hasta el máximo grado permisible por la ley.

GARANTÍA DE REEMBOLSO DE SU DINERO POR 90 DÍAS

Si no está completamente satisfecho con el desempeño de su máquina herramienta o clavadora CRAFTSMAN, cualquiera sea el motivo, podrá devolverlo hasta 90 días de la fecha de compra con su recibo y obtener el reembolso completo de su dinero – sin necesidad de responder a ninguna pregunta.

AMÉRICA LATINA: Esta garantía no se aplica a los productos que se venden en América Latina. Para los productos que se venden en América Latina, debe consultar la información de la garantía específica del país que viene en el empaque, llamar a la compañía local o visitar el sitio Web a fin de obtener esa información.

REEMPLAZO GRATUITO DE LAS ETIQUETAS DE ADVERTENCIAS: Si sus etiquetas de advertencia se vuelven ilegibles o faltan, llame al **1-888-331-4569** para que se le reemplacen gratuitamente.

GUÍA DE SOLUCIÓN DE PROBLEMAS

ASEGÚRESE DE SEGUIR LAS REGLAS E INSTRUCCIONES DE SEGURIDAD

Para conocer la ubicación del centro de mantenimiento más cercano a fin de recibir ayuda con su producto, visite nuestro sitio Web www.craftsman.com o llame a la línea de ayuda CRAFTSMAN al 1-888-331-4569.

PROBLEMA	CAUSA POSIBLE	SOLUCIÓN POSIBLE
La unidad no se pone en marcha.	La batería no está instalada adecuadamente.	Verifique la instalación de la batería.
	La batería no está cargada.	Verifique los requisitos de carga de la batería.
	Componentes internos demasiado calientes.	Componentes internos demasiado calientes.
La batería no se carga.	La batería no está insertada en el cargador.	Inserte la batería en el cargador hasta que el LED se ilumine.
	El cargador no está enchufado.	Enchufe el cargador a una toma de corriente que funcione bien. Consulte Notas importantes sobre la carga para obtener más detalles.
	La temperatura ambiental es demasiado caliente o demasiado fría.	Mueva el cargador y la batería a una temperatura ambiental superior a 4,5 °C (40 °F) o inferior a 40 °C (104 °F).
La unidad se apaga abruptamente.	La batería ha alcanzado su límite térmico máximo.	Deje que se enfríe la batería.
	Sin carga. (Para maximizar la vida útil de la batería, la unidad está diseñada para apagarse abruptamente cuando se ha agotado la carga).	Póngala en el cargador y deje que se cargue.

TABLA DE ACCESORIOS

Discos de esmerilado de 115 mm (4 1/2")



Protector tipo 27




brida de respaldo sin rosca



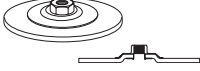
Disco de centro hundido tipo 27



Brida de bloqueo roscada

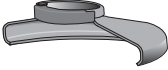


Protector tipo 27




Disco con cubo tipo 27

Discos de alambre



Protector tipo 27



cepillo de copa de alambre
76,2-127 mm (3-5 pulg.)*



Protector tipo 27



disco de alambre de
100-150 mm (4-6")

Discos para lijar de 115 mm (4 1/2")



Protector tipo 27



brida de respaldo sin rosca



disco de lijado de aletas sin cubo



Brida de bloqueo roscada



Protector tipo 27



disco de lijado de aletas con cubo







** Maximum initial battery voltage (measured without a workload) is 20 volts. Nominal voltage is 18.*

** La tension initiale maximum du bloc-piles (mesurée à vide) est de 20 volts. La tension nominale est de 18.*

** El máximo voltaje inicial de la batería (medido sin carga de trabajo) es 20 voltios. El voltaje nominal es de 18.*

CRAFTSMAN, 701 East Joppa Road, Towson, MD 21286
Copyright © 2018