

CRAFTSMAN®

INSTRUCTION MANUAL | GUIDE D'UTILISATION | MANUAL DE INSTRUCCIONES

20V Max* 1/2" (13 mm) Drill/Driver
Perceuse-visseuse 20 V max* à mandrin
de 13 mm (1/2 po)
Taladro/Destornillador de 13 mm (1/2") 20 V Máx*

CMCD701



IF YOU HAVE QUESTIONS OR COMMENTS, CONTACT US.
POUR TOUTE QUESTION OU TOUT COMMENTAIRE, NOUS CONTACTER.
SI TIENE DUDAS O COMENTARIOS, CONTÁCTENOS.

1-888-331-4569

WWW.CRAFTSMAN.COM

English (***original instructions***)

1

Français (*traduction de la notice d'instructions originale*)

12

Español (*traducido de las instrucciones originales*)

24

Definitions: Safety Alert Symbols and Words

This instruction manual uses the following safety alert symbols and words to alert you to hazardous situations and your risk of personal injury or property damage.



DANGER: Indicates an imminently hazardous situation which, if not avoided, **will** result in **death or serious injury**.



WARNING: Indicates a potentially hazardous situation which, if not avoided, **could** result in **death or serious injury**.



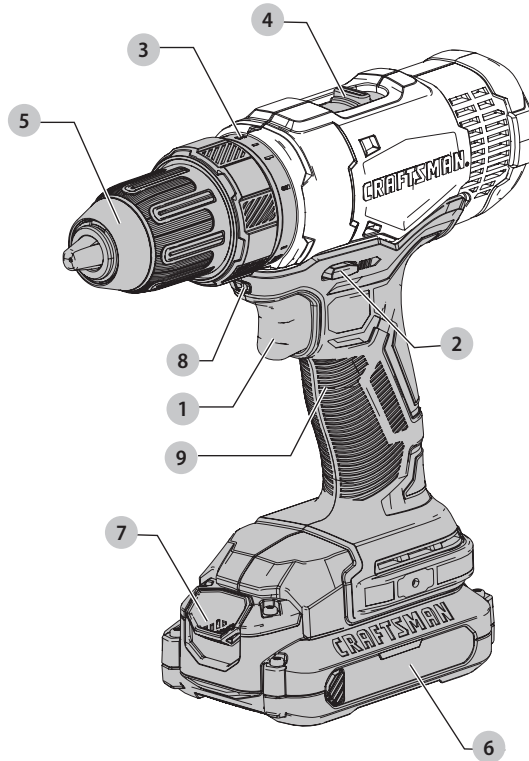
CAUTION: Indicates a potentially hazardous situation which, if not avoided, **may** result in **minor or moderate injury**.



(Used without word) Indicates a safety related message.

NOTICE: Indicates a practice **not related to personal injury** which, if not avoided, **may** result in **property damage**.

Fig. A



COMPONENTS

- 1 Trigger switch
- 2 Forward/reverse button
- 3 Torque adjust collar
- 4 Speed selector
- 5 Keyless chuck
- 6 Battery
- 7 Battery release button
- 8 LED work light
- 9 Main handle



WARNING: Read all safety warnings and all instructions. Failure to follow the warnings and instructions may result in electric shock, fire and/or serious injury.



WARNING: Never modify the product or any part of it. Damage or personal injury could result.



WARNING: To reduce the risk of injury, read the instruction manual.

If you have any questions or comments about this or any product, call CRAFTSMAN toll free at:
1-888-331-4569.

20V Max* 1/2" (13 mm) Drill/Driver CMCD701

GENERAL POWER TOOL SAFETY WARNINGS



WARNING: Read all safety warnings, instructions, illustrations and specifications provided with this power tool. Failure to follow all instructions listed below may result in electric shock, fire and/or serious injury.

SAVE ALL WARNINGS AND INSTRUCTIONS FOR FUTURE REFERENCE

The term "power tool" in the warnings refers to your mains-operated (corded) power tool or battery-operated (cordless) power tool.

1) Work Area Safety

- a) **Keep work area clean and well lit.** Cluttered or dark areas invite accidents.
- b) **Do not operate power tools in explosive atmospheres, such as in the presence of flammable liquids, gases or dust.** Power tools create sparks which may ignite the dust or fumes.
- c) **Keep children and bystanders away while operating a power tool.** Distractions can cause you to lose control.

2) Electrical Safety

- a) **Power tool plugs must match the outlet. Never modify the plug in any way. Do not use any adapter plugs with earthed (grounded) power tools.** Unmodified plugs and matching outlets will reduce risk of electric shock.
- b) **Avoid body contact with earthed or grounded surfaces such as pipes, radiators, ranges and refrigerators.** There is an increased risk of electric shock if your body is earthed or grounded.
- c) **Do not expose power tools to rain or wet conditions.** Water entering a power tool will increase the risk of electric shock.
- d) **Do not abuse the cord. Never use the cord for carrying, pulling or unplugging the power tool. Keep cord away from heat, oil, sharp edges or moving parts.** Damaged or entangled cords increase the risk of electric shock.
- e) **When operating a power tool outdoors, use an extension cord suitable for outdoor use.** Use of a cord suitable for outdoor use reduces the risk of electric shock.
- f) **If operating a power tool in a damp location is unavoidable, use a ground fault circuit interrupter (GFCI) protected supply.** Use of a GFCI reduces the risk of electric shock.

3) Personal Safety

- a) **Stay alert, watch what you are doing and use common sense when operating a power tool. Do not use a power tool while you are tired or under**

the influence of drugs, alcohol or medication. A moment of inattention while operating power tools may result in serious personal injury.

- b) **Use personal protective equipment. Always wear eye protection.** Protective equipment such as dust mask, non-skid safety shoes, hard hat, or hearing protection used for appropriate conditions will reduce personal injuries.
- c) **Prevent unintentional starting. Ensure the switch is in the off position before connecting to power source and/or battery pack, picking up or carrying the tool.** Carrying power tools with your finger on the switch or energizing power tools that have the switch on invites accidents.
- d) **Remove any adjusting key or wrench before turning the power tool on.** A wrench or a key left attached to a rotating part of the power tool may result in personal injury.
- e) **Do not overreach. Keep proper footing and balance at all times.** This enables better control of the power tool in unexpected situations.
- f) **Dress properly. Do not wear loose clothing or jewelry. Keep your hair, clothing and gloves away from moving parts.** Loose clothes, jewelry or long hair can be caught in moving parts.
- g) **If devices are provided for the connection of dust extraction and collection facilities, ensure these are connected and properly used.** Use of dust collection can reduce dust-related hazards.
- h) **Do not let familiarity gained from frequent use of tools allow you to become complacent and ignore tool safety principles.** A careless action can cause severe injury within a fraction of a second.

4) Power Tool Use and Care

- a) **Do not force the power tool. Use the correct power tool for your application.** The correct power tool will do the job better and safer at the rate for which it was designed.
- b) **Do not use the power tool if the switch does not turn it on and off.** Any power tool that cannot be controlled with the switch is dangerous and must be repaired.
- c) **Disconnect the plug from the power source and/or remove the battery, pack if detachable, from the power tool before making any adjustments, changing accessories, or storing power tools.** Such preventive safety measures reduce the risk of starting the power tool accidentally.
- d) **Store idle power tools out of the reach of children and do not allow persons unfamiliar with the power tool or these instructions to operate the power tool.** Power tools are dangerous in the hands of untrained users.

- e) **Maintain power tools and accessories. Check for misalignment or binding of moving parts, breakage of parts and any other condition that may affect the power tool's operation. If damaged, have the power tool repaired before use.** Many accidents are caused by poorly maintained power tools.
- f) **Keep cutting tools sharp and clean.** Properly maintained cutting tools with sharp cutting edges are less likely to bind and are easier to control.
- g) **Use the power tool, accessories and tool bits, etc. in accordance with these instructions, taking into account the working conditions and the work to be performed.** Use of the power tool for operations different from those intended could result in a hazardous situation.
- h) **Keep handles and grasping surfaces dry, clean and free from oil and grease.** Slippery handles and grasping surfaces do not allow for safe handling and control of the tool in unexpected situations.

5) Battery Tool Use and Care

- a) **Recharge only with the charger specified by the manufacturer.** A charger that is suitable for one type of battery pack may create a risk of fire when used with another battery pack.
- b) **Use power tools only with specifically designated battery packs.** Use of any other battery packs may create a risk of injury and fire.
- c) **When battery pack is not in use, keep it away from other metal objects, like paper clips, coins, keys, nails, screws, or other small metal objects, that can make a connection from one terminal to another.** Shorting the battery terminals together may cause burns or a fire.
- d) **Under abusive conditions, liquid may be ejected from the battery; avoid contact. If contact accidentally occurs, flush with water. If liquid contacts eyes, additionally seek medical help.** Liquid ejected from the battery may cause irritation or burns.
- e) **Do not use a battery pack or tool that is damaged or modified. Damaged or modified batteries may exhibit unpredictable behavior resulting in fire, explosion or risk of injury."**
- f) **Do not expose a battery pack or tool to fire or excessive temperature.** Exposure to fire or temperature above 265 °F (129 °C) may cause explosion."
- g) **Follow all charging instructions and do not charge the battery pack or tool outside the temperature range specified in the instructions.** Charging improperly or at temperatures outside the specified range may damage the battery and increase the risk of fire.

6) Service

- a) **Have your power tool serviced by a qualified repair person using only identical replacement parts.** This will ensure that the safety of the power tool is maintained.
- b) **Never service damaged battery packs.** Service of battery packs should only be performed by the manufacturer or authorized service providers.

Additional Safety Rules for Drill/Driver

- **Wear ear protectors with impact drills.** Exposure to noise can cause hearing loss.
- **Use auxiliary handle(s), if supplied with the tool.** Loss of control can cause personal injury.
- **Hold power tools by insulated gripping surfaces when performing an operation where the cutting accessory may contact hidden wiring.** Cutting accessory contacting with a "live" wire may make exposed metal parts of the power tool "live" and could give the operator an electric shock.
- **Hold tool firmly with two hands, one hand on the handle, and the other gripping the bottom around the battery area or the auxiliary handle if provided.** Loss of control can cause personal injury.
- **Use clamps or another practical way to secure and support the work piece to a stable platform.** Holding the work by hand or against your body leaves it unstable and may lead to loss of control.
- **Wear safety goggles or other eye protection. Hammering and drilling operations cause chips to fly.** Flying particles can cause permanent eye damage.
- **Bits, sockets and tools get hot during operation.** Wear gloves when touching them.
- **Do not operate this tool for long periods of time. Vibration caused by tool action may be harmful to your hands and arms.** Use gloves to provide extra cushion and limit exposure by taking frequent rest periods.
- **Accessories and tool may get hot during operation.** Wear gloves when handling them if performing heat producing applications such as hammerdrilling and drilling metals.

Additional Safety Information



WARNING: ALWAYS use safety glasses. Everyday eyeglasses are NOT safety glasses. Also use face or dust mask if cutting operation is dusty. **ALWAYS WEAR CERTIFIED SAFETY EQUIPMENT:**

- ANSI Z87.1 eye protection (CAN/CSA Z94.3),
- ANSI S12.6 (S3.19) hearing protection,
- NIOSH/OSHA/MSHA respiratory protection.



WARNING: Some dust created by power sanding, sawing, grinding, drilling, and other construction activities contains chemicals known to the State of California to cause cancer, birth defects or other reproductive harm. Some examples of these chemicals are:

ENGLISH

- lead from lead-based paints,
- crystalline silica from bricks and cement and other masonry products, and
- arsenic and chromium from chemically-treated lumber.

Your risk from these exposures varies, depending on how often you do this type of work. To reduce your exposure to these chemicals: work in a well ventilated area, and work with approved safety equipment, such as those dust masks that are specially designed to filter out microscopic particles.

- **Avoid prolonged contact with dust from power sanding, sawing, grinding, drilling, and other construction activities. Wear protective clothing and wash exposed areas with soap and water.** Allowing dust to get into your mouth, eyes, or lay on the skin may promote absorption of harmful chemicals.



WARNING: Use of this tool can generate and/or disperse dust, which may cause serious and permanent respiratory or other injury. Always use NIOSH/OSHA approved respiratory protection appropriate for the dust exposure. Direct particles away from face and body.



WARNING: Always wear proper personal hearing protection that conforms to ANSI S12.6 (S3.19) during use. Under some conditions and duration of use, noise from this product may contribute to hearing loss.



CAUTION: When not in use, place tool on its side on a stable surface where it will not cause a tripping or falling hazard. Some tools will stand upright but may be easily knocked over.

- **Air vents often cover moving parts and should be avoided.** Loose clothes, jewelry or long hair can be caught in moving parts.

The label on your tool may include the following symbols. The symbols and their definitions are as follows:

V	voltage	~ or AC.....	alternating current
Hz	hertz	~ or AC/DC.....	alternating or direct current
min	minutes	□	Class II Construction (double insulated)
— — — or DC.....	direct current	⊕	Class I Construction (grounded)
⊕	Class I Construction (grounded)	n ₀	no load speed
... /min.....	per minute	n	rated speed
BPM.....	beats per minute	⊕	earthing terminal
IPM.....	impacts per minute	⚠	safety alert symbol
RPM.....	revolutions per minute	⚠	visible radiation
sfpm	surface feet per minute	⚠	avoid staring at light
SPM.....	strokes per minute	☉	wear respiratory protection
OPM.....	oscillations per minute	☉	wear eye protection
A.....	amperes		
W.....	watts		

☉

wear hearing protection

📖

read all documentation

IPXX.....

IP symbol

BATTERIES AND CHARGERS

The battery pack is not fully charged out of the carton. Before using the battery pack and charger, read the safety instructions below and then follow charging procedures outlined. When ordering replacement battery packs, be sure to include the catalog number and voltage.

READ ALL INSTRUCTIONS

Important Safety Instructions for All Battery Packs



WARNING: Read all safety warnings, instructions, and cautionary markings for the battery pack, charger and product. Failure to follow the warnings and instructions may result in electric shock, fire and/or serious injury.

- **Do not charge or use the battery pack in explosive atmospheres, such as in the presence of flammable liquids, gases or dust.** Inserting or removing the battery pack from the charger may ignite the dust or fumes.
- **When battery pack is not in use, keep it away from other metal objects, like paper clips, coins, keys, nails, screws, or other small metal objects, that can make a connection from one terminal to another.** Shorting the battery terminals together may cause burns or a fire.
- **NEVER force the battery pack into the charger. DO NOT modify the battery pack in any way to fit into a non-compatible charger as battery pack may rupture causing serious personal injury.**

- Charge the battery packs only in CRAFTSMAN chargers.
- **DO NOT** splash or immerse in water or other liquids.
- **Do not store or use the tool and battery pack in locations where the temperature may reach or exceed 104 °F (40 °C) (such as outside sheds or metal buildings in summer).** For best life store battery packs in a cool, dry location.

NOTE: Do not store the battery packs in a tool with the trigger switch locked on. Never tape the trigger switch in the ON position.

- **Do not incinerate the battery pack even if it is severely damaged or is completely worn out.** The battery pack can explode in a fire. Toxic fumes and materials are created when lithium-ion battery packs are burned.
- **If battery contents come into contact with the skin, immediately wash area with mild soap and water.** If battery liquid gets into the eye, rinse water over the open eye for 15 minutes or until irritation ceases. If medical attention is needed, the battery electrolyte is composed of a mixture of liquid organic carbonates and lithium salts.

- **Contents of opened battery cells may cause respiratory irritation.** Provide fresh air. If symptoms persist, seek medical attention.



WARNING: Burn hazard. Battery liquid may be flammable if exposed to spark or flame.



WARNING: Fire hazard. Never attempt to open the battery pack for any reason. If the battery pack case is cracked or damaged, do not insert into the charger. Do not crush, drop or damage the battery pack. Do not use a battery pack or charger that has received a sharp blow, been dropped, run over or damaged in any way (e.g., pierced with a nail, hit with a hammer, stepped on). Damaged battery packs should be returned to the service center for recycling.

Storage Recommendations

1. The best storage place is one that is cool and dry, away from direct sunlight and excess heat or cold.
2. For long storage, it is recommended to store a fully charged battery pack in a cool dry place out of the charger for optimal results.

NOTE: Battery packs should not be stored completely depleted of charge. The battery pack will need to be recharged before use.

Battery Pack Cleaning Instructions

1. Dirt and grease may be removed from the exterior of the battery using a cloth or soft non-metallic brush. Do not use water or any cleaning solutions.

The RBRC® Seal

The RBRC® (Rechargeable Battery Recycling Corporation) Seal on the nickel cadmium, nickel metal hydride or lithium-ion batteries (or battery packs) indicates that the costs to recycle these batteries (or battery packs) at the end of their useful life have already been paid by CRAFTSMAN. In some areas, it is illegal to place spent nickel cadmium, nickel metal hydride or lithium-ion batteries in the trash or municipal solid waste stream and the Call 2 Recycle® program provides an environmentally conscious alternative.

Call 2 Recycle, Inc., in cooperation with CRAFTSMAN and other battery users, has established the program in the United States and Canada to facilitate the collection of spent nickel cadmium, nickel metal hydride or lithium-ion batteries. Help protect our environment and conserve natural resources by returning the spent nickel cadmium, nickel metal hydride or lithium-ion batteries to an authorized service center or to your local retailer for recycling. You may also contact your local recycling center for information on where to drop off the spent battery. RBRC® is a registered trademark of Call 2 Recycle, Inc.



Transportation



WARNING: Fire hazard. Do not store or carry the battery pack so that metal objects can contact exposed battery terminals. For example, do not place the battery pack in aprons, pockets, tool

boxes, product kit boxes, drawers, etc., with loose nails, screws, keys, etc. **Transporting batteries can possibly cause fires if the battery terminals inadvertently come in contact with conductive materials such as keys, coins, hand tools and the like.** The US Department of Transportation Hazardous Material Regulations (HMR) actually prohibit transporting batteries in commerce or on airplanes in carry-on baggage UNLESS they are properly protected from short circuits. So when transporting individual battery packs, make sure that the battery terminals are protected and well insulated from materials that could contact them and cause a short circuit. **NOTE:** LI-ION batteries should not be put in checked baggage.

Important Safety Instructions for All Battery Chargers



WARNING: Read all safety warnings, instructions, and cautionary markings for the battery pack, charger and product. Failure to follow the warnings and instructions may result in electric shock, fire and/or serious injury.

- **DO NOT attempt to charge the battery pack with any chargers other than a CRAFTSMAN charger.** CRAFTSMAN charger and battery pack are specifically designed to work together.
- **These chargers are not intended for any uses other than charging CRAFTSMAN rechargeable batteries.** Any other uses may result in risk of fire, electric shock or electrocution.
- **Do not expose the charger to rain or snow.**
- **Pull by the plug rather than the cord when disconnecting the charger.** This will reduce the risk of damage to the electric plug and cord.
- **Make sure that the cord is located so that it will not be stepped on, tripped over or otherwise subjected to damage or stress.**
- **Do not use an extension cord unless it is absolutely necessary.** Use of improper extension cord could result in risk of fire, electric shock or electrocution.
- **When operating a charger outdoors, always provide a dry location and use an extension cord suitable for outdoor use.** Use of a cord suitable for outdoor use reduces the risk of electric shock.
- **An extension cord must have adequate wire size (AWG or American Wire Gauge) for safety.** The smaller the gauge number of the wire, the greater the capacity of the cable, that is, 16 gauge has more capacity than 18 gauge. An undersized cord will cause a drop in line voltage resulting in loss of power and overheating. When using more than one extension to make up the total length, be sure each individual extension contains at least the minimum wire size. The following table shows the correct size to use depending on cord length and nameplate ampere rating. If in doubt, use the next heavier gauge. The lower the gauge number, the heavier the cord.

Minimum Gauge for Cord Sets

Volts	Total Length of Cord in Feet (meters)					
	120 V	25 (7.6)	50 (15.2)	100 (30.5)	150 (45.7)	
240 V	50 (15.2)	100 (30.5)	200 (61.0)	300 (91.4)		
Ampere Rating		American Wire Gauge				
More Than	Not More Than					
0	6	18	16	16	14	
6	10	18	16	14	12	
10	12	16	16	14	12	
12	16	14	12	Not Recommended		

- **Do not place any object on top of the charger or place the charger on a soft surface that might block the ventilation slots and result in excessive internal heat.** Place the charger in a position away from any heat source. The charger is ventilated through slots in the top and the bottom of the housing.
- **Do not operate the charger with a damaged cord or plug—have them replaced immediately.**
- **Do not operate the charger if it has received a sharp blow, been dropped or otherwise damaged in any way.** Take it to an authorized service center.
- **Do not disassemble the charger; take it to an authorized service center when service or repair is required.** Incorrect reassembly may result in a risk of electric shock, electrocution or fire.
- **Disconnect the charger from the outlet before attempting any cleaning. This will reduce the risk of electric shock.** Removing the battery pack will not reduce this risk.
- **NEVER attempt to connect 2 chargers together.**
- **The charger is designed to operate on standard 120V household electrical power. Do not attempt to use it on any other voltage.** This does not apply to the vehicular charger.

⚠ WARNING: Shock hazard. Do not allow any liquid to get inside the charger. Electric shock may result.

⚠ WARNING: Burn hazard. Do not submerge the battery pack in any liquid or allow any liquid to enter the battery pack. Never attempt to open the battery pack for any reason. If the plastic housing of the battery pack breaks or cracks, return to a service center for recycling.

⚠ CAUTION: Burn hazard. To reduce the risk of injury, charge only CRAFTSMAN rechargeable battery packs. Other types of batteries may overheat and burst resulting in personal injury and property damage.

⚠ CAUTION: Under certain conditions, with the charger plugged into the power supply, the charger can be shorted by foreign material. Foreign materials of a conductive nature, such as, but not limited to, grinding dust, metal chips, steel wool, aluminum foil or any buildup of metallic particles should be kept away from the charger cavities. Always unplug the charger from the power supply when there is no

battery pack in the cavity. Unplug the charger before attempting to clean.

Charging a Battery

NOTE: To ensure maximum performance and life of lithium-ion battery packs, charge the battery pack fully before first use.

1. Plug the charger into an appropriate outlet before inserting battery pack.
2. Connect the charger and battery pack, making sure the battery is fully seated. The (charging) light will blink continuously indicating that the charging process has started.
3. The completion of charge will be indicated by the light remaining ON continuously. The battery pack is fully charged and may be removed and used at this time or left in the charger.

NOTE: To remove the battery pack, some chargers require the battery pack release button to be pressed.

Indicators		
	Charging	
	Fully Charged	
	Hot/Cold Pack Delay	

A charger will not charge a faulty battery pack. The charger refusing to light could indicate a problem with the charger.

NOTE: If the charger refuses to light, take the charger and battery pack to be tested at an authorized service center.

Hot/Cold Pack Delay

When the charger detects a battery pack that is too hot or too cold, it automatically starts a Hot/Cold Pack Delay, suspending charging until the battery pack has reached an appropriate temperature. The charger then automatically switches to the pack charging mode. This feature ensures maximum battery pack life.

A cold battery pack may charge at a slower rate than a warm battery pack.

Important Charging Notes

1. Longest life and best performance can be obtained if the battery pack is charged when the air temperature is between 65 °F – 75 °F (18 °C – 24 °C). DO NOT charge when the battery pack is below +40 °F (+4.5 °C), or above +104 °F (+40 °C). This is important and will prevent serious damage to the battery pack.
2. The charger and battery pack may become warm to the touch while charging. This is a normal condition, and does not indicate a problem. To facilitate the cooling of the battery pack after use, avoid placing the charger or battery pack in a warm environment such as in a metal shed or an uninsulated trailer.
3. If the battery pack does not charge properly:
 - a. Check operation of receptacle by plugging in a lamp or other appliance;

- b. Check to see if receptacle is connected to a light switch which turns power off when you turn out the lights;
 - c. Move the charger and battery pack to a location where the surrounding air temperature is approximately 65 °F – 75 °F (18 ° – 24 °C);
 - d. If charging problems persist, take the tool, battery pack and charger to your local service center.
4. The battery pack should be recharged when it fails to produce sufficient power on jobs which were easily done previously. DO NOT CONTINUE to use under these conditions. Follow the charging procedure. You may also charge a partially used pack whenever you desire with no adverse effect on the battery pack.
 5. Foreign materials of a conductive nature such as, but not limited to, grinding dust, metal chips, steel wool, aluminum foil, or any buildup of metallic particles should be kept away from charger cavities. Always unplug the charger from the power supply when there is no battery pack in the cavity. Unplug the charger before attempting to clean.
 6. Do not freeze or immerse the charger in water or any other liquid.

Charger Cleaning Instructions

- ⚠ WARNING:** Shock hazard. Disconnect the charger from the AC outlet before cleaning. Dirt and grease may be removed from the exterior of the charger using a cloth or soft non-metallic brush. Do not use water or any cleaning solutions.

Wall Mounting

These chargers are designed to be wall mountable or to sit upright on a table or work surface. If wall mounting, locate the charger within reach of an electrical outlet, and away from a corner or other obstructions which may impede air flow. Use the back of the charger as a template for the location of the mounting screws on the wall. Mount the charger securely using drywall screws (purchased separately) at least 1" (25.4 mm) long, with a screw head diameter of 0.28–0.35" (7–9 mm), screwed into wood to an optimal depth leaving approximately 7/32" (5.5 mm) of the screw exposed. Align the slots on the back of the charger with the exposed screws and fully engage them in the slots.

Versatrack

CRAFTSMAN chargers can be mounted to the wall using CRAFTSMAN Versatrack Trackwall. Hooks and accessories are sold separately. Please refer to the Versatrack Trackwall accessory sheet for further information.

SAVE THESE INSTRUCTIONS FOR FUTURE USE

COMPONENTS (FIG. A)

Intended Use

This drill/driver is designed for professional use.

DO NOT use under wet conditions or in presence of flammable liquids or gases.

DO NOT let children come into contact with the tool. Supervision is required when inexperienced operators use this tool.

OPERATION

- ⚠ WARNING:** To reduce the risk of serious personal injury, turn unit off and remove the battery pack before making any adjustments or removing/installing attachments or accessories. An accidental start-up can cause injury.

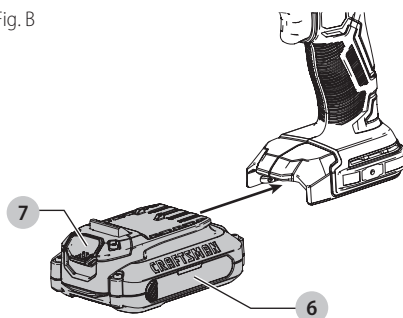
Installing and Removing the Battery Pack (Fig. B)

NOTE: For best results, make sure your battery pack is fully charged.

To install the battery pack **6** into the tool handle, align the battery pack with the rails inside the tool's handle and slide it into the handle until the battery pack is firmly seated in the tool and ensure that it does not disengage.

To remove the battery pack from the tool, press the release button **7** and firmly pull the battery pack out of the tool handle. Insert it into the charger as described in the charger section of this manual.

Fig. B

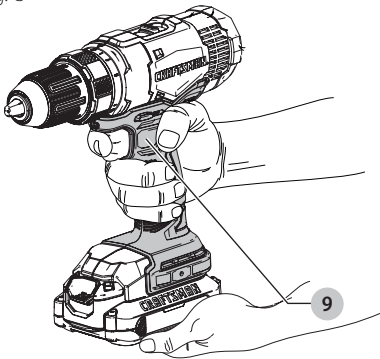


Proper Hand Position (Fig. C)

- ⚠ WARNING:** To reduce the risk of serious personal injury, ALWAYS use proper hand position as shown.
- ⚠ WARNING:** To reduce the risk of serious personal injury, ALWAYS hold securely in anticipation of a sudden reaction.

Hold tool firmly with both hands to control the twisting action of the drill. If model is not equipped with side handle, grip drill with one hand on the main handle **9** and one hand on the battery pack.

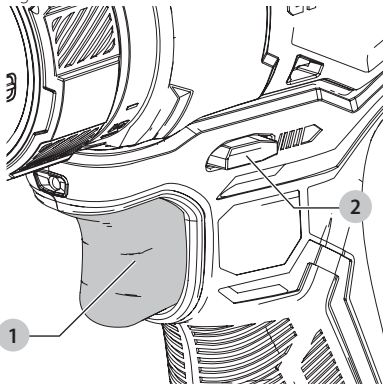
Fig. C



Trigger Switch & Forward/Reverse Button (Fig. D)

- The drill is turned ON and OFF by pulling and releasing the trigger switch 1. The farther the trigger is depressed, the higher the speed of the drill.
- A forward/reverse control button 2 determines the rotational direction of the tool and also serves as a lock off button.
- To select forward rotation, release the trigger switch and depress the forward/reverse control button on the right side of the tool.
- To select reverse, depress the forward/reverse control button on the left side of the tool.
- The center position of the control button locks the tool in the off position. When changing the position of the control button, be sure the trigger is released.

Fig. D



Adjusting Torque Control (Fig. A)

This tool is fitted with a torque adjustment collar 3 to select the operating mode and to set the torque for tightening screws. Large screws and hard workpiece materials require a higher torque setting than small screws and soft workpiece materials.

Speed Selector (Fig. E, F)

The speed selector feature of your drill allows you to shift gears for greater versatility.

- To select low speed, high torque setting (position 1), turn tool off and permit to stop. Slide speed selector 4 away from the chuck.
- To select the high speed, low torque setting (position 2), turn tool off and permit to stop. Slide speed selector back toward the chuck.

NOTE: Do not change gears when tool is running. If you are having trouble changing gears, make sure that the speed selector is either completely pushed forward or completely pushed back.

Fig. E

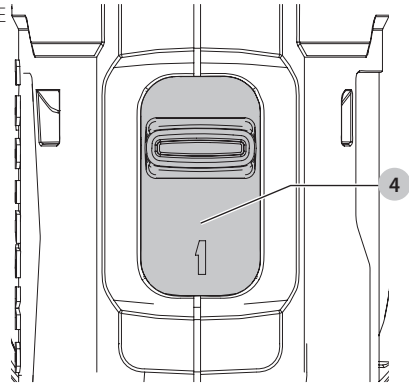
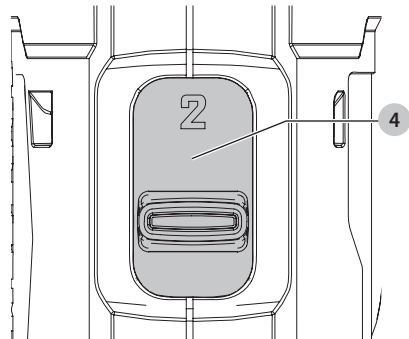


Fig. F



LED Work Light (Fig. A)

⚠ CAUTION: Do not stare into worklight. Serious eye injury could result.

When drill driver is activated by pulling the trigger switch 1, the integrated LED work light 8 will automatically illuminate the work area.

NOTE: The work light is for lighting the immediate work surface and is not intended to be used as a flashlight.

Keyless Chuck (Fig. G)

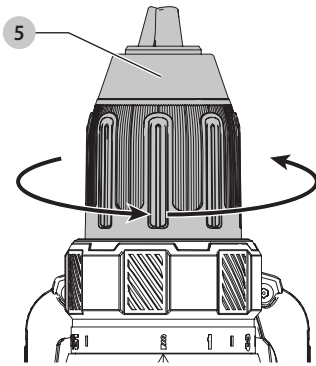
⚠ WARNING: Make certain the battery pack is removed to prevent tool actuation before installing or removing accessories.

To insert a drill bit or other accessory:

1. Grasp the keyless chuck **5** and rotate it in the counterclockwise direction, as viewed from the chuck end.
2. Insert the bit or other accessory fully into the chuck, and tighten securely by rotating the chuck in the clockwise direction as viewed from the chuck end.

⚠ WARNING: Do not attempt to tighten or loosen drill bits (or any other accessory) by gripping the front part of the chuck and turning the tool on. Damage to the chuck and personal injury may occur when changing accessories.

Fig. G



Drilling (Fig. H)

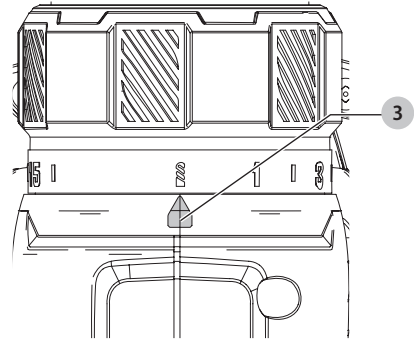
NOTICE: If drilling thin material, use a wood "back-up" block to prevent damage to the material.

⚠ WARNING: Drill may stall if overloaded causing a sudden twist. Always expect the stall. Grip the drill firmly to control the twisting action and avoid injury.

1. Select the desired speed/torque range using the gear shifter to match the speed and torque to the planned operation. Turn the torque adjust collar **3** to the drill symbol.
2. Use sharp drill bits only.
3. Always apply pressure in a straight line with the bit. Use enough pressure to keep drill biting, but do not push hard enough to stall the motor or deflect the bit.
4. Hold tool firmly with both hands to control the twisting action of the drill. If model is not equipped with side handle, grip drill with one hand on the handle and one hand on the battery pack.
5. IF DRILL STALLS, it is usually because it is being overloaded or improperly used. RELEASE TRIGGER IMMEDIATELY, remove drill bit from work, and determine cause of stalling. DO NOT depress TRIGGER ON AND OFF IN AN ATTEMPT TO START A STALLED DRILL—THIS CAN DAMAGE THE DRILL.

6. To minimize stalling or breaking through the material, reduce pressure on drill and ease the bit through the last fractional part of the hole.
7. Keep the motor running when pulling the bit back out of a drilled hole. This will help prevent jamming.

Fig. H

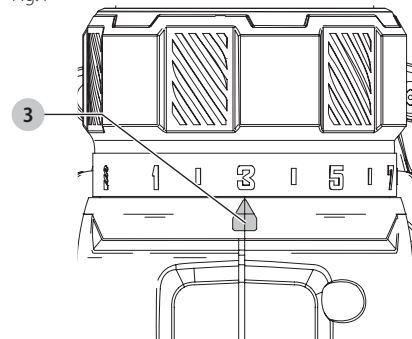


Screwdriving (Fig. I)

1. Select the desired speed/torque range using the gear shifter to match the speed and torque to the planned operation.
2. Turn the torque adjustment collar **3** to the desired position.

NOTE: Use the lowest torque setting required to seat the fastener at the desired depth. The lower the number, the lower the torque output.
3. Insert the desired fastener accessory into the chuck as you would any drill bit.
4. Make some practice runs in scrap or on unseen areas of the workpiece to determine the proper position of the torque adjustment collar.
5. Always start with lower torque settings, then advance to higher torque settings to avoid damage to the workpiece or fastener.

Fig. I



MAINTENANCE

- WARNING:** To reduce the risk of serious personal injury, turn unit off and remove the battery pack before making any adjustments or removing/installing attachments or accessories. An accidental start-up can cause injury.

Accessories

- WARNING:** Since accessories, other than those offered by CRAFTSMAN, have not been tested with this product, use of such accessories with this tool could be hazardous. To reduce the risk of injury, only CRAFTSMAN recommended accessories should be used with this product.

Recommended accessories for use with your tool are available at extra cost from your local dealer or authorized service center. If you need assistance in locating any accessory, please contact CRAFTSMAN, call 1-888-331-4569.

Versatrack™ (Fig. J)

- WARNING:** To reduce the risk of serious personal injury, turn unit off and remove the battery pack before making any adjustments or removing/installing attachments or accessories. An accidental start-up can cause injury.
- WARNING:** To reduce the risk of serious personal injury, do not use a damaged Versatrack™ hang hook or Versatrack™ Trackwall. A damaged Versatrack™ hang hook or Versatrack™ Trackwall will not support the weight of the tool.
- WARNING:** To reduce the risk of serious personal injury, ensure the screw holding the Versatrack™ hang hook is securely tightened.
- WARNING:** To reduce the risk of serious personal injury, DO NOT suspend tool overhead or suspend objects from the hang hook. ONLY suspend tool on the Versatrack™ Trackwall using the hang hook.
- WARNING:** Ensure that the tool weight does not exceed the maximum rated weight for the selected Versatrack™ hook.
- WARNING:** When hanging objects on a Versatrack™ Trackwall rail, adequately space the tools in order to not exceed 75 lb (35 kg) per linear foot.

IMPORTANT: When attaching the Versatrack™ hang hook, use only the screw that is provided. Be sure to securely tighten the screw. Versatrack™ accessories mount compatible tools securely to the Versatrack™ Trackwall system.

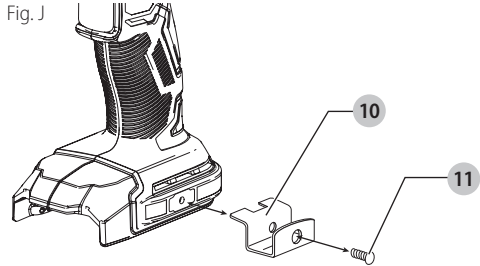
1. Turn tool off, remove the battery pack and remove accessories.

- CAUTION:** Any product with exposed cutting teeth must have them covered securely if it is to be on the Versatrack™ Trackwall.
2. Attach the hang hook **10** on the tool.
 - a. Place the Versatrack™ hang hook onto the mounting location at the base of the tool.

- b. Use a screwdriver to secure the hang hook with the provided screw **11**. Do not use any other screw for this.

NOTE: Versatrack™ accessories for use with your tool are available at extra cost from your local dealer or authorized service center. If you need assistance in locating any accessory, please contact CRAFTSMAN, call 1-888-331-4569.

Fig. J



Belt Hook (Fig. J)

Optional Accessory

- WARNING:** To reduce the risk of serious personal injury, place the forward/reverse button in the lock-off position or turn tool off and disconnect battery pack before making any adjustments or removing/installing attachments or accessories. An accidental start-up can cause injury.
- WARNING:** To reduce the risk of serious personal injury, ONLY use the tool's belt hook to hang the tool from a work belt. DO NOT use the belt hook for tethering or securing the tool to a person or object during use. DO NOT suspend tool overhead or suspend objects from the belt hook.
- WARNING:** To reduce the risk of serious personal injury, ensure the screw holding the belt hook is secure.

IMPORTANT: When attaching or replacing the belt hook, use only the screw **11** that is provided. Be sure to securely tighten the screw.

The belt hook can be attached to either side of the tool using only the screw **11** provided, to accommodate left- or right-handed users. If the hook is not desired at all, it can be removed from the tool.

To move the belt hook, remove the screw that holds the belt hook in place then reassemble on the opposite side. Be sure to securely tighten the screw.

Cleaning



WARNING: Blow dirt and dust out of all air vents with clean, dry air at least once a week. To minimize the risk of eye injury, always wear ANSI Z87.1 approved eye protection when performing this.



WARNING: Never use solvents or other harsh chemicals for cleaning the non-metallic parts of the tool. These chemicals may weaken the plastic materials used in these parts. Use a cloth dampened only with water and mild soap. Never let any liquid get inside the tool; never immerse any part of the tool into a liquid.

Repairs

The charger and battery pack are not serviceable. There are no serviceable parts inside the charger or battery pack.



WARNING: To assure product SAFETY and RELIABILITY, repairs, maintenance and adjustment (including brush inspection and replacement, when applicable) should be performed by a CRAFTSMAN factory service center or a CRAFTSMAN authorized service center. Always use identical replacement parts.

Register Online

Thank you for your purchase. Register your product now for:

- **WARRANTY SERVICE:** Registering your product will help you obtain more efficient warranty service in case there is a problem with your product.
- **CONFIRMATION OF OWNERSHIP:** In case of an insurance loss, such as fire, flood or theft, your registration of ownership will serve as your proof of purchase.
- **FOR YOUR SAFETY:** Registering your product will allow us to contact you in the unlikely event a safety notification is required under the Federal Consumer Safety Act.

Register online at www.craftsman.com/registration

Three Year Limited Warranty

CRAFTSMAN will repair or replace, without charge, any defects due to faulty materials or workmanship for three years from the date of purchase (two years for batteries). This warranty does not cover part failure due to normal wear or tool abuse. For further detail of warranty coverage and warranty repair information, visit www.craftsman.com or call **1-888-331-4569**. This warranty does not apply to accessories or damage caused where repairs have been made or attempted by others. THIS LIMITED WARRANTY IS GIVEN IN LIEU OF ALL OTHERS, INCLUDING THE IMPLIED WARRANTY OF MERCHANTABILITY AND FITNESS FOR A PARTICULAR PURPOSE, AND EXCLUDES ALL INCIDENTAL OR CONSEQUENTIAL DAMAGES. Some states do not allow limitations on how long an implied warranty lasts or the exclusion or limitation of incidental or consequential damages, so these limitations may not apply to you. This warranty gives you specific legal rights and you may have other rights which vary in certain states or provinces.

2 YEARS FREE SERVICE ON CRAFTSMAN BATTERY PACKS

CMCB201, CMCB2011

3 YEARS FREE SERVICE ON CRAFTSMAN BATTERY PACKS

CMCB202, CMCB204

NOTE: Battery warranty voided if the battery pack is tampered with in any way. CRAFTSMAN is not responsible for any injury caused by tampering and may prosecute warranty fraud to the fullest extent permitted by law.

90 DAY MONEY BACK GUARANTEE

If you are not completely satisfied with the performance of your CRAFTSMAN Power Tool or Nailer for any reason, you can return it within 90 days from the date of purchase with a receipt for a full refund – no questions asked.

LATIN AMERICA: This warranty does not apply to products sold in Latin America. For products sold in Latin America, see country specific warranty information contained in the packaging, call the local company or see website for warranty information.

FREE WARNING LABEL REPLACEMENT: If your warning labels become illegible or are missing, call **1-888-331-4569** for a free replacement.

Définitions : symboles et termes d'alarmes sécurité

Ces guides d'utilisation utilisent les symboles et termes d'alarmes sécurité suivants pour vous prévenir de situations dangereuses et de risques de dommages corporels ou matériels.





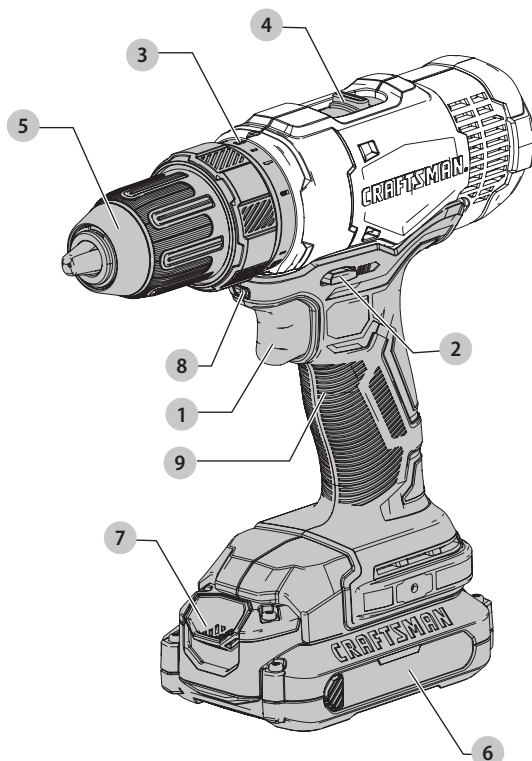

-  **DANGER** : indique une situation dangereuse imminente qui, si elle n'est pas évitée, **entraînera la mort ou des blessures graves**.
 -  **AVERTISSEMENT** : indique une situation potentiellement dangereuse qui, si elle n'est pas évitée, **pourrait entraîner la mort ou des blessures graves**.
 -  **ATTENTION** : indique une situation potentiellement dangereuse qui, si elle n'est pas évitée, **pourrait entraîner des blessures légères ou modérées**.
 -  (Si utilisé sans aucun terme) Indique un message propre à la sécurité.
- AVIS** : indique une pratique ne posant **aucun risque de dommages corporels** mais qui par contre, si rien n'est fait pour l'éviter, **pourrait poser des risques de dommages matériels**.


Fig. A




DESCRIPTION

- 1 Détente
- 2 Bouton de marche avant/marche arrière
- 3 Bague de réglage de couple
- 4 Sélecteur de vitesses
- 5 Mandrin auto-serrant
- 6 Bloc-piles
- 7 Bouton de libération du bloc-piles
- 8 Lampe de travail à DEL
- 9 Poignée principale

 **AVERTISSEMENT : lire tous les avertissements de sécurité et toutes les directives.** Le non-respect des avertissements et des directives pourrait se solder par un choc électrique, un incendie et/ou une blessure grave.

 **AVERTISSEMENT : ne jamais modifier l'outil électrique ni aucun de ses composants, car il y a des risques de dommages corporels ou matériels.**

 **AVERTISSEMENT : afin de réduire le risque de blessures, lire le mode d'emploi de l'outil.**

Pour toute question ou remarque au sujet de cet outil ou de tout autre outil CRAFTSMAN composez le numéro sans frais : 1-888-331-4569.

Perceuse-visseuse 20 V max* à mandrin de 13 mm (1/2 po) CMCD701

AVERTISSEMENTS GÉNÉRAUX SUR LA SÉCURITÉ DES OUTILS



AVERTISSEMENT : lisez tous les avertissements de sécurité, toutes les instructions, les illustrations et les caractéristiques fournis avec cet outil électrique. Ne pas suivre toutes les instructions comprises aux présentes peut conduire à un choc électrique, un incendie et/ou des blessures graves.

CONSERVER TOUS LES AVERTISSEMENTS ET TOUTES LES DIRECTIVES POUR UN USAGE ULTÉRIEUR

Le terme « outil électrique » cité dans les avertissements se rapporte à votre outil électrique à alimentation sur secteur (avec fil) ou par piles (sans fil).

1) Sécurité du lieu de travail

- Tenir l'aire de travail propre et bien éclairée.**
Les lieux encombrés ou sombres sont propices aux accidents.
- Ne pas faire fonctionner d'outils électriques dans un milieu déflagrant, tel qu'en présence de liquides, de gaz ou de poussières inflammables.**
Les outils électriques produisent des étincelles qui pourraient enflammer la poussière ou les vapeurs.
- Éloigner les enfants et les personnes à proximité pendant l'utilisation d'un outil électrique.** Une distraction pourrait en faire perdre la maîtrise à l'utilisateur.

2) Sécurité en matière d'électricité

- Les fiches des outils électriques doivent correspondre à la prise. Ne jamais modifier la fiche d'aucune façon. Ne jamais utiliser de fiche d'adaptation avec un outil électrique mis à la terre.** Le risque de choc électrique sera réduit par l'utilisation de fiches non modifiées correspondant à la prise.
- Éviter tout contact physique avec des surfaces mises à la terre comme des tuyaux, des radiateurs, des cuisinières et des réfrigérateurs.** Le risque de choc électrique est plus élevé si votre corps est mis à la terre.
- Ne pas exposer les outils électriques à la pluie ou à l'humidité.** La pénétration de l'eau dans un outil électrique augmente le risque de choc électrique.
- Ne pas utiliser le cordon de façon abusive. Ne jamais utiliser le cordon pour transporter, tirer ou débrancher un outil électrique. Tenir le cordon éloigné de la chaleur, de l'huile, des bords tranchants et des pièces mobiles.** Les

cordons endommagés ou enchevêtrés augmentent les risques de choc électrique.

- Pour l'utilisation d'un outil électrique à l'extérieur, se servir d'une rallonge convenant à cette application.** L'utilisation d'une rallonge conçue pour l'extérieur réduira les risques de choc électrique.
- S'il est impossible d'éviter l'utilisation d'un outil électrique dans un endroit humide, brancher l'outil dans une prise ou sur un circuit d'alimentation dotés d'un disjoncteur de fuite à la terre (GFCI).** L'utilisation de ce type de disjoncteur réduit les risques de choc électrique.

3) Sécurité personnelle

- Être vigilant, surveiller le travail effectué et faire preuve de jugement lorsqu'un outil électrique est utilisé. Ne pas utiliser d'outil électrique en cas de fatigue ou sous l'influence de drogues, d'alcool ou de médicaments.** Un simple moment d'inattention en utilisant un outil électrique peut entraîner des blessures corporelles graves.
- Utiliser des équipements de protection individuelle. Toujours porter une protection oculaire.** L'utilisation d'équipements de protection comme un masque antipoussière, des chaussures antidérapantes, un casque de sécurité ou des protecteurs auditifs lorsque la situation le requiert réduira les risques de blessures corporelles.
- Empêcher les démarrages intempestifs. S'assurer que l'interrupteur se trouve à la position d'arrêt avant de relier l'outil à une source d'alimentation et/ou d'insérer un bloc-piles, de ramasser ou de transporter l'outil.** Transporter un outil électrique alors que le doigt repose sur l'interrupteur ou brancher un outil électrique dont l'interrupteur est à la position de marche risque de provoquer un accident.
- Retirer toute clé de réglage ou clé avant de démarrer l'outil.** Une clé ou une clé de réglage attachée à une partie pivotante de l'outil électrique peut provoquer des blessures corporelles.
- Ne pas trop tendre les bras. Conserver son équilibre en tout temps.** Cela permet de mieux maîtriser l'outil électrique dans les situations imprévues.
- S'habiller de manière appropriée. Ne pas porter de vêtements amples ni de bijoux. Garder les cheveux, les vêtements et les gants à l'écart des pièces mobiles.** Les vêtements amples, les bijoux ou les cheveux longs risquent de rester coincés dans les pièces mobiles.
- Si des composants sont fournis pour le raccordement de dispositifs de dépoussiérage et de ramassage, s'assurer que ceux-ci sont bien**

raccordés et utilisés. L'utilisation d'un dispositif de dépoussiérage peut réduire les dangers engendrés par les poussières.

- h) **Ne pas laisser votre connaissance acquise suite l'utilisation fréquente des outils vous permettre de baisser la garde et ignorer les principes de sécurité de l'outil.** *Un acte irréfléchi peut causer une blessure grave en une fraction de seconde.*

4) Utilisation et entretien d'un outil électrique

- a) **Ne pas forcer un outil électrique. Utiliser l'outil électrique approprié à l'application.** *L'outil électrique approprié effectuera un meilleur travail, de façon plus sûre et à la vitesse pour laquelle il a été conçu.*
- b) **Ne pas utiliser un outil électrique dont l'interrupteur est défectueux.** *Tout outil électrique dont l'interrupteur est défectueux est dangereux et doit être réparé.*
- c) **Débranchez la fiche de la prise électrique et, si amovible, retirez le bloc-piles de l'outil avant d'effectuer tout ajustement, changement et entreposage de celui-ci.** *Ces mesures préventives réduisent les risques de démarrage accidentel de l'outil électrique.*
- d) **Ranger les outils électriques hors de la portée des enfants et ne permettre à aucune personne n'étant pas familière avec un outil électrique ou son mode d'emploi d'utiliser cet outil.** *Les outils électriques deviennent dangereux entre les mains d'utilisateurs inexpérimentés.*
- e) **Gardez les poignées et surfaces d'emprise propres et libres de tout produit lubrifiant. Vérifier si les pièces mobiles sont mal alignées ou coincées, si des pièces sont brisées ou présentent toute autre condition susceptible de nuire au bon fonctionnement de l'outil électrique. En cas de dommage, faire réparer l'outil électrique avant toute nouvelle utilisation.** *Beaucoup d'accidents sont causés par des outils électriques mal entretenus.*
- f) **S'assurer que les outils de coupe sont aiguisés et propres.** *Les outils de coupe bien entretenus et affûtés sont moins susceptibles de se coincer et sont plus faciles à maîtriser.*
- g) **Utiliser l'outil électrique, les accessoires, les forets, etc. conformément aux présentes directives en tenant compte des conditions de travail et du travail à effectuer.** *L'utilisation d'un outil électrique pour toute opération autre que celle pour laquelle il a été conçu est dangereuse.*
- h) **Garder vos mains et les surfaces de prise sèches, propres et libres de graisse et de poussière.** *Les mains et les surfaces de prise glissante ne permettent pas la manutention et le contrôle sécuritaires de l'outil dans les situations imprévues.*

5) Utilisation et entretien du bloc-piles

- a) **Ne recharger l'outil qu'au moyen du chargeur précisé par le fabricant.** *L'utilisation d'un chargeur qui convient à un type de bloc-piles risque de provoquer un incendie s'il est utilisé avec un autre type de bloc-piles.*
- b) **Utiliser les outils électriques uniquement avec les blocs-piles conçus à cet effet.** *L'utilisation de tout autre bloc-piles risque de causer des blessures ou un incendie.*
- c) **Lorsque le bloc-piles n'est pas utilisé, le tenir éloigné des objets métalliques, notamment des trombones, de la monnaie, des clés, des clous, des vis ou autres petits objets métalliques qui peuvent établir une connexion entre les deux bornes.** *Le court-circuit des bornes du bloc-piles risque de provoquer des brûlures ou un incendie.*
- d) **En cas d'utilisation abusive, le liquide peut gicler hors du bloc-piles; éviter tout contact avec ce liquide. Si un contact accidentel se produit, laver à grande eau. Si le liquide entre en contact avec les yeux, obtenir également des soins médicaux.** *Le liquide qui gicle hors du bloc-piles peut provoquer des irritations ou des brûlures.*
- e) **Ne pas utiliser de bloc-piles ou outil qui a été endommagé ou modifié.** *Les unités endommagées ou modifiées peuvent avoir une réaction imprévisible résultant en un incendie, une explosion ou un potentiel de blessure.*
- f) **Ne pas exposer de bloc-piles ou l'outil aux flammes ou à des températures excessives.** *L'exposition aux flammes ou à une température au-dessus de 129 °C (265 °F) pourrait causer une explosion.*
- g) **Suivre toutes les instructions de recharge et ne rechargez pas le bloc-piles ou l'outil à des températures hors de la plage de température indiquée dans les instructions.** *Une recharge non conforme ou à une température hors des limites spécifiées peut endommager les piles et augmenter le risque d'incendie.*

6) Réparation

- a) **Faire réparer l'outil électrique par un réparateur professionnel en n'utilisant que des pièces de rechange identiques.** *Cela permettra de maintenir une utilisation sécuritaire de l'outil électriques.*
- b) **Ne jamais réparer des blocs-piles endommagés.** *La réparation de blocs-piles doit seulement être effectuée par le fabricant ou les fournisseurs de service autorisé.*

Avertissements de sécurité relatifs au marteau perforateur/perceuse

- **Porter une protection auditive lors du perçage à percussion.** Le bruit en émanant pourrait occasionner une perte de l'acuité auditive.
- **Utiliser la/les poignée(s) auxiliaire(s) si fournie(s) avec l'outil.** Une perte de contrôle de l'outil pourrait occasionner des dommages corporels.
- **Tenir l'outil par les surfaces isolées prévues à cet effet pendant toute utilisation où l'organe de coupe pourrait entrer en contact avec des fils électriques cachés.** Tout contact de l'organe de coupe avec un fil sous tension mettra les parties métalliques exposées de l'outil sous tension et électrocutera l'utilisateur.
- **Tenir fermement l'outil en tout temps. Ne pas utiliser l'outil sans le tenir des deux mains. Faire fonctionner cet outil d'une seule main risque de provoquer la perte de maîtrise de l'outil.** Il peut aussi être dangereux de percer ou de tomber sur des matériaux durs comme une barre d'armature.
- **Utiliser des brides de fixation ou tout autre dispositif de fixation pratique permettant de soutenir et de retenir la pièce sur une plate-forme stable.** Tenir la pièce avec la main ou contre le corps rend la pièce instable et risque de provoquer une perte de maîtrise de l'outil.
- **Porter des lunettes de sécurité ou une autre protection oculaire. Le martelage et la perforation peuvent projeter des fragments.** Les particules projetées peuvent endommager les yeux irréversiblement.
- **Les accessoires et l'outil peuvent devenir brûlants au toucher pendant l'utilisation.** Porter des gants pendant leur utilisation pour effectuer des travaux produisant beaucoup de chaleur comme la perforation à percussion et le perçage des métaux.
- **Ne pas utiliser cet outil pendant des périodes de temps prolongées.** Les vibrations causées par la percussion peuvent poser des risques pour les mains ou les bras. Porter des gants pour amortir les vibrations, et pour limiter les risques, faire des pauses fréquentes.
- **Les accessoires et l'outil peuvent devenir brûlants au toucher pendant l'utilisation.** Porter des gants pendant leur utilisation pour effectuer des travaux produisant beaucoup de chaleur comme la perforation à percussion et le perçage des métaux.

Consigne de sécurité supplémentaire



AVERTISSEMENT : porter **SYSTEMATIQUEMENT** des lunettes de protection. Les lunettes courantes **NE** sont **PAS** des lunettes de protection. Utiliser aussi un masque antipoussières si la découpe doit en produire beaucoup. **PORTER SYSTEMATIQUEMENT UN EQUIPEMENT DE SÉCURITÉ HOMOLOGUÉ :**

- Protection oculaire ANSI Z87.1 (CAN/CSA Z94.3) ;
- Protection auditive ANSI S12.6 (S3.19) ;
- Protection des voies respiratoires NIOSH/OSHA/MSHA.



AVERTISSEMENT : les scies, meules, ponceuses, perceuses ou autres outils de construction peuvent produire des poussières contenant des produits chimiques reconnus par l'État californien pour causer cancers, malformations congénitales ou être nocifs au système reproducteur. Parmi ces produits chimiques, on retrouve :

- Le plomb dans les peintures à base de plomb ;
- La silice cristallisée dans les briques et le ciment, ou autres produits de maçonnerie ; et
- L'arsenic et le chrome dans le bois ayant subi un traitement chimique.

Le risque associé à de telles expositions varie selon la fréquence à laquelle on effectue ces travaux.

Pour réduire toute exposition à ces produits : travailler dans un endroit bien aéré, en utilisant du matériel de sécurité homologué, tel un masque antipoussières spécialement conçu pour filtrer les particules microscopiques.

- **Limiter toute exposition prolongée avec les poussières provenant du ponçage, sciage, meulage, perçage ou toute autre activité de construction. Porter des vêtements de protection et nettoyer à l'eau savonneuse les parties du corps exposées.** Le fait de laisser la poussière pénétrer dans la bouche, les yeux ou la peau peut favoriser l'absorption de produits chimiques dangereux.



AVERTISSEMENT : cet outil peut produire et/ou répandre de la poussière susceptible de causer des dommages sérieux et permanents au système respiratoire. Utiliser systématiquement un appareil de protection des voies respiratoires homologué par le NIOSH ou l'OSHA. Diriger les particules dans le sens opposé au visage et au corps.



AVERTISSEMENT : pendant l'utilisation, porter systématiquement une protection auditive individuelle adéquate homologuée ANSI S12.6 (S3.19). Sous certaines conditions et suivant la durée d'utilisation, le bruit émanant de ce produit pourrait contribuer à une perte de l'acuité auditive.



ATTENTION : après utilisation, ranger l'outil sur son côté, sur une surface stable, là où il ne pourra ni faire trébucher ni faire chuter quelqu'un. Certains outils peuvent tenir à la verticale sur celui-ci, mais manquent alors de stabilité.

- **Prendre des précautions à proximité des événements, car ils cachent des pièces mobiles.** Vêtements amples, bijoux ou cheveux longs risquent de rester coincés dans ces pièces mobiles.

L'étiquette apposée sur votre outil peut inclure les symboles suivants. Les symboles et leur définition sont indiqués ci-après :

V	volts	Ⓜ	fabrication classe I
Hz	hertz	(mis à la terre)	
min	minutes	... /min	par minute
— — — or DC	courant continu	BPM	batttements par minute
		IPM	impacts par minute

FRANÇAIS

RPM.....révolutions par minute	n_0vitesse à vide
sfpm (plpm).....pieds linéaires par minute	nvitesse nominale
SPM (FPM).....fréquence par minute	⊕.....borne de terre
OPM.....oscillations por minuto	⚠.....symbole d'avertissement
A.....ampères	⚠.....radiation visible
W.....watts	⚠.....éviter de regarder directement le flux de lumière.
~ or AC.....courant alternatif	☞.....protection respiratoire
⎓ or AC/DC.....courant alternatif ou continu	☞.....protection oculaire
□.....fabrication classe II (double isolation)	☞.....protection auditive
IPXX.....symbole IP	📖.....lire toute la documentation

BLOCS-PILES ET CHARGEURS

Le bloc-piles n'est pas totalement chargé d'usine. Avant d'utiliser le bloc-piles et le chargeur, lire les consignes de sécurité ci-après puis suivre la procédure de chargement indiquée. Pour commander un bloc-piles de recharge, s'assurer d'en inclure le numéro de catalogue et la tension.

LIRE TOUTES LES CONSIGNES

Consignes importantes de sécurité les blocs-piles

⚠ AVERTISSEMENT : lisez toutes les consignes de sécurité, les instructions et les symboles d'avertissements du bloc-piles, du chargeur et du produit. Tout manquement aux avertissements et instructions pose des risques de décharges électriques, d'incendie et/ou de blessures graves.

- **Ne pas recharger ou utiliser un bloc-piles en milieu déflagrant, en présence, par exemple, de poussières, gaz ou liquides inflammables.** Le fait d'insérer ou retirer un bloc-piles de son chargeur pourrait causer l'inflammation de poussières ou d'émanations.
- **Lorsque non utilisé, garder le bloc-piles éloigné de petits objets métalliques comme des trombones attache-feuilles, des pièces de monnaie, des clés, des clous et vis ou autres pièces qui pourraient court-circuiter les bornes.** Un court-circuit pourrait causer des brûlures ou un incendie.
- **NE JAMAIS forcer l'insertion d'un bloc-piles dans un chargeur. NE modifier un bloc-piles d'AUCUNE façon pour le faire rentrer dans un chargeur incompatible, car il pourrait se briser et causer des dommages corporels graves.**
- Recharger les blocs-piles exclusivement dans des chargeurs CRAFTSMAN.
- **NE PAS** éblouir le bloc-piles ou l'immerger dans l'eau ou dans tout autre liquide.
- **Ne pas entreposer ou utiliser l'appareil et le bloc-piles en présence de températures ambiantes**

pouvant excéder 40 °C (104 °F) (comme dans des hangars ou des bâtiments métalliques l'été). Pour préserver leur durée de vie, entreposer les blocs-piles dans un endroit frais et sec.

REMARQUE : ne pas mettre un bloc-piles dans un outil dont la gâchette est verrouillée en position de marche. Ne jamais bloquer l'interrupteur en position de MARCHÉ.

- **Ne pas incinérer le bloc-piles même s'il est sévèrement endommagé ou complètement usagé, car il pourrait exploser et causer un incendie.** Pendant l'incinération des blocs-piles au lithium-ion, des vapeurs et matières toxiques sont dégagées.
- **En cas de contact du liquide de la pile avec la peau, rincer immédiatement au savon doux et à l'eau.** En cas de contact oculaire, rincer l'œil ouvert à l'eau claire une quinzaine de minutes ou jusqu'à ce que l'irritation cesse. Si des soins médicaux s'avéraient nécessaires, noter que l'électrolyte de la pile est composé d'un mélange de carbonates organiques liquides et de sels de lithium.
- **Le contenu des cellules d'une pile ouverte peut causer une irritation respiratoire.** En cas d'inhalation, exposer l'individu à l'air libre. Si les symptômes persistent, consulter un médecin.



AVERTISSEMENT : risques de brûlure. Le liquide de la pile peut s'enflammer s'il est exposé à des étincelles ou à une flamme.



AVERTISSEMENT : risques d'incendie. Ne jamais tenter d'ouvrir le bloc-piles pour quelque raison que ce soit. Si le boîtier du bloc-piles est fissuré ou endommagé, ne pas l'insérer dans un chargeur. Ne pas écraser, laisser tomber, ou endommager les blocs-piles. Ne pas utiliser un bloc-piles ou un chargeur qui a reçu un choc violent, ou si l'appareil est tombé, a été écrasé ou endommagé de quelque façon que ce soit (p. ex. percé par un clou, frappé d'un coup de marteau, piétiné). Les blocs-piles endommagés doivent être renvoyés à un centre de réparation pour y être recyclés.

Recommandations de stockage

1. Le lieu idéal de rangement est un lieu frais et sec, à l'abri de toute lumière solaire directe et de toute température excessive.
2. Pour un stockage prolongé, il est recommandé d'entreposer le bloc-piles pleinement chargé dans un lieu frais et sec, hors du chargeur pour optimiser les résultats.

REMARQUE : les blocs-piles ne devraient pas être entreposés complètement déchargés. Il sera nécessaire de recharger le bloc-piles avant réutilisation.

Instructions d'entretien du blocs-pile

1. Éliminer toute saleté ou graisse de la surface externe du blocs-pile à l'aide d'un chiffon ou d'une brosse non métallique douce. N'utiliser ni eau ni aucun nettoyant liquide.

Le sceau SRPRC®

Le sceau SRPRC® (Société de recyclage des piles rechargeables du Canada) apposé sur une pile au nickel-cadmium, à hydrure métallique de nickel ou au lithium-ion (ou un bloc-piles) indique que les coûts de recyclage de ces derniers en fin d'utilisation ont déjà été réglés par CRAFTSMAN. Dans certaines régions, la mise au rebut ou aux ordures municipales des piles au nickel-cadmium, à l'hydrure métallique de nickel ou au lithium-ion, est illégale ; le programme de l'Appel à Recycler® constitue donc une solution pratique et écologique.

Appel à Recycler Canada, Inc., en collaboration avec CRAFTSMAN et d'autres utilisateurs de piles, a mis sur pied de programme aux États-Unis et au Canada pour faciliter la collecte des piles au nickel-cadmium, à l'hydrure métallique de nickel ou au lithium-ion usagées. Aidez-nous à protéger l'environnement et à conserver nos ressources naturelles en renvoyant les piles au nickel-cadmium, à l'hydrure métallique de nickel ou au lithium-ion usagées à un centre de réparation autorisé CRAFTSMAN ou chez votre détaillant afin qu'elles y soient recyclées. On peut en outre se renseigner auprès d'un centre de recyclage local pour connaître d'autres sites les acceptant. SRPRC® est une marque déposée de l'Appel à Recycler Canada, Inc.



Transport



AVERTISSEMENT : risques d'incendie. Au moment de ranger ou transporter le bloc-piles, veiller à protéger ses bornes à découvert de tout objet métallique. Par exemple, éviter de placer le bloc-piles dans un tablier, une poche, une boîte à outils ou un tiroir, etc. contenant des objets tels que clous, vis, clés, etc. **Le fait de transporter des blocs-piles comporte des risques d'incendie, car les bornes des piles pourraient entrer, par inadvertance, en contact avec des objets conducteurs, tels que : clés, pièces de monnaie, outils ou autres.**

La réglementation sur les produits dangereux (Hazardous Material Regulations) du département américain des transports interdit, en fait, le transport des blocs-piles dans les commerces ou dans les avions dans les bagages de cabine, À MOINS qu'ils ne soient correctement protégés de tout court-circuit. Aussi lors du transport individuel de blocs-piles, s'assurer que leurs bornes sont bien protégées et isolées de tout matériau pouvant entrer en contact avec elles et provoquer un court-circuit. **REMARQUE :** il ne faut pas laisser de piles au LI-ION dans les bagages enregistrés.

Directives de sécurité importantes propres à tous les chargeurs de piles



AVERTISSEMENT : lisez toutes les consignes de sécurité, les instructions et les symboles d'avertissements du bloc-piles, du chargeur et du produit. Tout manquement aux avertissements

et instructions pose des risques de décharges électriques, d'incendie et/ou de blessures graves.

- **NE PAS tenter de recharger le bloc-piles avec tout autre chargeur qu'une unité CRAFTSMAN.** Le chargeur CRAFTSMAN et son bloc-piles sont conçus spécialement pour fonctionner conjointement.
- **Ces chargeurs n'ont pas été conçus pour une utilisation autre que recharger les blocs-piles rechargeables CRAFTSMAN.** Toute autre utilisation comporte des risques d'incendie, de chocs électriques ou d'électrocution.
- **Protéger le chargeur de la pluie ou de la neige.**
- **Tirer sur la fiche plutôt que sur le cordon pour débrancher le chargeur.** Cela permet de réduire les risques d'endommager la fiche ou le cordon d'alimentation.
- **S'assurer que le cordon est protégé de manière à ce que personne ne marche ni ne trébuche dessus, ou à ce qu'il ne soit ni endommagé ni soumis à aucune tension.**
- **N'utiliser une rallonge qu'en cas de nécessité absolue.** L'utilisation d'une rallonge inadéquate comporte des risques d'incendie, de chocs électriques ou d'électrocution.
- **Pour utiliser un chargeur à l'extérieur, le placer dans un endroit sec et utiliser une rallonge conçue pour l'extérieur.** L'utilisation d'une rallonge conçue pour l'extérieur réduit les risques de chocs électriques.
- **Pour la sécurité de l'utilisateur, utiliser une rallonge de calibre adéquat (AWG, American Wire Gauge [calibrage américain normalisé des fils électriques]).** Plus le calibre est petit, et plus sa capacité est grande. Un calibre 16, par exemple, a une capacité supérieure à un calibre 18. L'usage d'une rallonge de calibre insuffisant causera une chute de tension qui entraînera perte de puissance et surchauffe. Si plus d'une rallonge est utilisée pour obtenir une certaine longueur, s'assurer que chaque rallonge présente au moins le calibre de fil minimum. Le tableau ci-dessous illustre les calibres à utiliser selon la longueur de rallonge et l'intensité nominale indiquée sur la plaque signalétique. En cas de doute, utiliser le calibre suivant. Plus le calibre est petit, plus la rallonge peut supporter de courant.

Calibre minimum pour les cordons d'alimentation

Volts	Longueur totale du cordon d'alimentation en mètre (pieds)				
	7,6 (25)	15,2 (50)	30,5 (100)	45,7 (150)	61,0 (200)
120 V					
240 V					
Ampères		AWG			
Plus que	Pas plus que				
0	6	18	16	16	14
6	10	18	16	14	12
10	12	16	16	14	12
12	16	14	12	Non recommandé	

- **Ne poser aucun objet sur le chargeur. Ne pas mettre le chargeur sur une surface molle qui pourrait en bloquer la ventilation et provoquer une surchauffe interne.** Éloigner le chargeur de toute source de chaleur.

FRANÇAIS

Le chargeur dispose d'orifices d'aération sur le dessus et le dessous du boîtier.

- **Ne pas le faire fonctionner avec un cordon d'alimentation ou une fiche endommagée**—les remplacer immédiatement.
- **Ne pas utiliser le chargeur s'il a reçu un coup, fait une chute ou a été endommagé de quelque façon que ce soit.** Le ramener dans un centre de réparation agréé.
- **Ne pas démonter le chargeur. Pour tout service ou réparation, le rapporter dans un centre de réparation agréé.** Le fait de le réassembler de façon incorrecte comporte des risques de chocs électriques, d'électrocution et d'incendie.
- **Débrancher le chargeur du secteur avant tout entretien. Cela réduira tout risque de chocs électriques.** Le fait de retirer le bloc-piles ne réduira pas ces risques.
- **NE JAMAIS tenter de connecter 2 chargeurs ensemble.**
- **Le chargeur a été conçu pour être alimenté en courant électrique domestique standard de 120 volts. Ne pas tenter de l'utiliser avec toute autre tension.** Cela ne s'applique pas aux chargeurs de postes mobiles.

⚠ AVERTISSEMENT : risques de chocs électriques. Ne laisser aucun liquide pénétrer dans le chargeur, des chocs électriques pourraient en résulter.

⚠ AVERTISSEMENT : risques de brûlure. Ne submerger le bloc-piles dans aucun liquide et le protéger de toute infiltration de liquide. Ne jamais tenter d'ouvrir le bloc-piles pour quelque raison que ce soit. Si le boîtier plastique du bloc-piles est brisé ou fissuré, le retourner dans un centre de réparation pour y être recyclé.

⚠ ATTENTION : risques de brûlure. Pour réduire tout risque de dommages corporels, ne recharger que des blocs-piles rechargeables CRAFTSMAN. Tout autre type de piles pourrait exploser et causer des dommages corporels et matériels.

⚠ ATTENTION :: sous certaines conditions, lorsque le chargeur est connecté au bloc d'alimentation, des matériaux étrangers pourraient court-circuiter le chargeur. Les corps étrangers conducteurs tels que (mais pas limité à) poussières de rectification, débris métalliques, laine d'acier, feuilles d'aluminium, ou toute accumulation de particules métalliques doivent être maintenus à distance des orifices du chargeur. Débrancher systématiquement le chargeur lorsque le bloc-piles n'y est pas inséré. Débrancher systématiquement le chargeur avant tout entretien.

Chargement du bloc-piles










REMARQUE : afin d'assurer la performance et la vie maximales des blocs-piles au lithium-ion, chargez complètement le bloc-pile avant la première utilisation.

1. Branchez le chargeur dans une prise appropriée avant d'insérer le bloc-piles.

2. Branchez le chargeur et le bloc-piles en vous assurant que le bloc-piles est bien mis en place. Le voyant rouge (chargement) clignotera sans cesse indiquant que le processus de chargement est commencé.
3. La fin de la recharge sera indiquée par le voyant qui demeurera allumé de façon continue. Le bloc-piles est complètement chargé et peut être retiré utilisé à ce moment ou laissé dans le chargeur.

REMARQUE : pour retirer le bloc-piles, on doit appuyer sur le bouton de libération du bloc-piles sur certains chargeurs.

Indicateurs

	Bloc-piles en Cours de Chargement		
	Bloc-piles Chargé		
	Suspension de Charge Contre le Chaud/Froid		

Le chargeur ne chargera pas un bloc-piles défectueux. Un chargeur ne se mettant pas en fonction pourrait être défectueux.

REMARQUE : si le chargeur ne se met pas en fonction, faites tester le chargeur et le bloc-piles à un centre de service autorisé.

Fonction de suspension de charge contre le chaud/froid

Lorsque le chargeur détecte un bloc-piles trop chaud ou trop froid, il démarre automatiquement la fonction de suspension de charge contre le chaud, suspendant le chargement jusqu'à ce que le bloc-piles ait repris une température appropriée. Le chargeur ensuite se remettra automatiquement en mode de chargement. Cette caractéristique assure aux blocs-piles une durée de vie maximale.

Un bloc-piles froid peut recharger moins vite qu'un bloc-piles chaud.

Remarques importantes concernant le chargement

1. Pour augmenter la durée de vie du bloc-piles et optimiser son rendement, le recharger à une température ambiante de 18 ° à 24 °C (65 °F à 75 °F). NE PAS charger lorsque le bloc-piles est en dessous de +4,5 °C (+40 °F) ou au-dessus de +40 °C (+104 °F). C'est important pour prévenir tout dommage sérieux au bloc-piles.
2. Le chargeur et son bloc-piles peuvent devenir chauds au toucher pendant la charge. C'est normal et ne représente en aucun cas une défaillance du produit. Pour faciliter le refroidissement du bloc-piles après utilisation, éviter de laisser le chargeur ou le bloc-piles dans un local où la température ambiante est élevée comme dans un hangar métallique ou une remorque non isolée.
3. Si le bloc-piles ne se recharge pas correctement :

- Vérifier le bon fonctionnement de la prise en y branchant une lampe ou tout autre appareil électrique.
 - Vérifier que la prise n'est pas contrôlée par un interrupteur qui coupe le courant lorsqu'on éteint les lumières.
 - Déplacer le chargeur et le bloc-piles dans un local où la température ambiante se trouve entre environ 18 ° et 24 °C (65 °F et 75 °F).
 - Si le problème persiste, amener l'outil, le bloc-piles et son chargeur dans un centre de réparation local.
- Recharger le bloc-piles lorsqu'il ne produit plus assez de puissance pour effectuer un travail qu'il faisait facilement auparavant. **NE PAS CONTINUER** à l'utiliser dans ces conditions. Suivre la procédure de charge. Si nécessaire, il est aussi possible de recharger un bloc-piles partiellement déchargé sans effet nuisible sur le bloc-piles.
 - Les corps étrangers conducteurs tels que (mais pas limité à) poussières de rectification, débris métalliques, laine d'acier, feuilles d'aluminium, ou toute accumulation de particules métalliques doivent être maintenus à distance des orifices du chargeur. Débrancher systématiquement le chargeur lorsque le bloc-piles n'y est pas inséré. Débrancher systématiquement le chargeur avant tout entretien.
 - Ne pas congeler ou immerger le chargeur dans l'eau ou tout autre liquide.

Instructions d'entretien du chargeur

! **AVERTISSEMENT** : risques de chocs électriques. Débrancher le chargeur de la prise de courant alternatif avant tout entretien. Éliminer toute saleté ou graisse de la surface externe du chargeur à l'aide d'un chiffon ou d'une brosse non métallique douce. N'utiliser ni eau ni aucun nettoyant liquide.

Installation murale

Ces chargeurs ont été conçus pour une installation murale ou pour être posés sur une table ou une surface de travail. Pour une fixation murale, installez le chargeur à proximité d'une prise électrique, et à l'écart de coins ou de toute autre obstruction au passage de l'air. Utilisez l'arrière du chargeur pour marquer l'emplacement des vis de montage sur le mur. Fixez soigneusement le chargeur à l'aide de vis autoforeuses (vendues séparément) d'au moins 25,4 mm (1 po) de long, et de diamètre de tête de 7-9 mm (0,28-0,35 po), que vous visserez dans le bois en laissant une longueur optimale d'environ 5,5 mm (7/32 po) exposée. Alignez les orifices à l'arrière du chargeur sur les vis exposées et insérez à fond ces dernières dans les orifices.

Versatrack

Les chargeurs CRAFTSMAN peuvent être installés au mur à l'aide des fixations VersaTrack de CRAFTSMAN. Les crochets et les accessoires sont vendus séparément. Veuillez consulter la feuille d'accessoires des fixations VersaTrack pour de plus amples renseignements.

CONSERVER CES CONSIGNES POUR UTILISATION ULTÉRIEURE

DESCRIPTION (FIG. A)

Usage prévu

Cette perceuse-visseuse est conçue pour applications professionnelles.

NE PAS les utiliser en milieu ambiant humide ou en présence de liquides ou de gaz inflammables.

NE PAS le laisser à la portée des enfants. Une supervision est nécessaire auprès de tout utilisateur non expérimenté.

FONCTIONNEMENT

! **AVERTISSEMENT** : afin de réduire le risque de blessure corporelle, éteignez l'appareil et retirez le bloc-piles avant d'effectuer tout ajustement ou de retirer/installer des pièces ou des accessoires. Un déclenchement accidentel du démarrage peut causer des blessures.

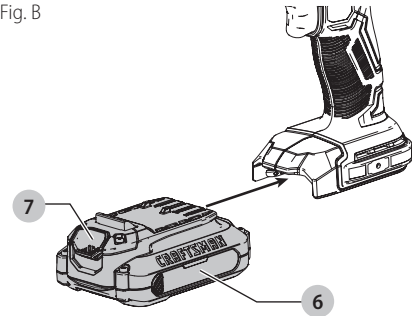
Installation et retrait du bloc-piles (Fig. B)

REMARQUE : pour des résultats optimaux, s'assurer que le bloc-piles est complètement chargé.

Pour installer le bloc-piles **6** dans la poignée de l'outil, alignez le bloc-piles sur les rails dans la poignée de l'outil et faites-le glisser fermement en place puis vérifiez qu'il ne s'en détachera pas.

Pour retirer le bloc-piles de l'outil, poussez sur le bouton de libération **7** et tirez fermement le bloc-piles hors de la poignée de l'outil. Insérez-le dans son chargeur comme décrit dans la section appropriée de ce manuel.

Fig. B



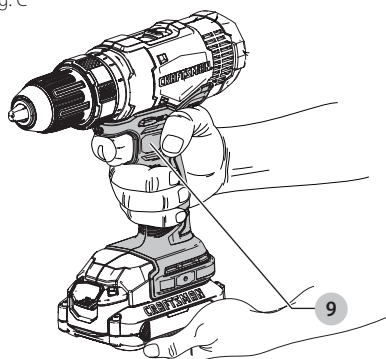
Position correcte des mains (Fig. C)

! **AVERTISSEMENT** : pour réduire tout risque de dommages corporels graves, adopter **SYSTÉMATIQUEMENT** la position des mains illustrée.

! **AVERTISSEMENT** : pour réduire tout risque de dommages corporels graves, maintenir **SYSTÉMATIQUEMENT** l'outil fermement pour anticiper toute réaction soudaine.

Tenez l'outil fermement avec les deux mains pour contrôler le mouvement de torsion de la perceuse. Si le modèle n'est pas muni d'une poignée latérale, agrippez la perceuse en plaçant une main sur la poignée principale **9** et une main sur le bloc-piles.

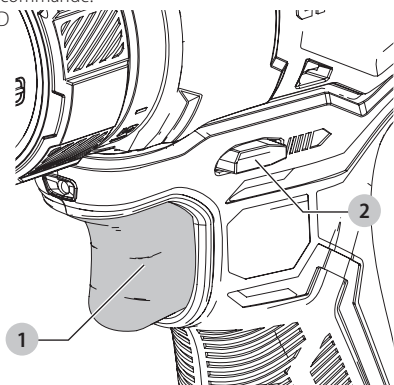
Fig. C



Détente et bouton de marche avant/marche arrière (Fig. D)

- La perceuse est mise en positions de MARCHÉ et d'ARRÊT en tirant et en relâchant la détente ①. Plus on enfonce la détente, plus la vitesse de la perceuse augmente.
- Un bouton de commande marche avant/marche arrière ② détermine le sens de l'outil et sert aussi de bouton de verrouillage.
- Pour sélectionner la marche avant, relâcher la détente et enfoncez le bouton de commande marche avant/marche arrière du côté droit de l'outil.
- Pour sélectionner la marche arrière, enfoncez le bouton de commande marche avant/marche arrière du côté gauche de l'outil.
- La position du centre du bouton de commande verrouille l'outil en position d'arrêt. Toujours relâcher la détente avant de changer la position du bouton de commande.

Fig. D



Commande de réglage du couple (Fig. A)

L'outil est muni d'une bague ③ de réglage du couple qui permet de sélectionner le mode de travail et de régler le couple de serrage pour le serrage des vis. Les grosses vis et les pièces en matière dure exigent un couple de serrage plus élevé que les petites vis et les pièces de matières plus souples.

Sélecteur de vitesses (Fig. E, F)

La fonction de sélecteur de vitesses de votre perceuse vous permet de changer de vitesse pour une plus grande polyvalence.

- Pour sélectionner le réglage basse vitesse à couple élevé (position 1), éteignez et laissez le moteur s'arrêter. Glissez le sélecteur de vitesses ④ loin du mandrin.
- Pour sélectionner réglage du couple bas à vitesse élevée (position 2), éteignez et laissez arrêter. Glissez le sélecteur de vitesses vers le mandrin.

REMARQUE : Ne pas changer les vitesses lorsque l'outil fonctionne. Si vous avez de la difficulté à changer les vitesses, assurez-vous que le sélecteur de vitesses est complètement poussé vers l'avant ou complètement poussé vers l'arrière.

Fig. E

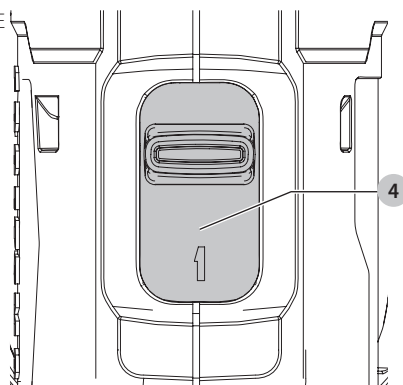
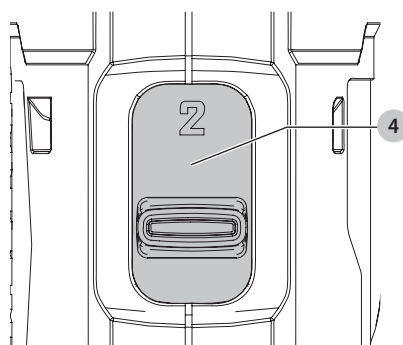


Fig. F



Lampe de travail à DEL (Fig. A)

⚠ ATTENTION : ne pas regarder directement le faisceau de la lampe. Risque de lésions oculaires graves.

Lorsque la perceuse-visseuse est activée en tirant sur détente ①, la lampe de travail à DEL ⑧ allume automatiquement la zone de travail.

REMARQUE : la lampe de travail permet d'éclairer la surface immédiate et n'est pas destinée à servir de lampe de poche.

Mandrin auto-serrant (Fig. G)

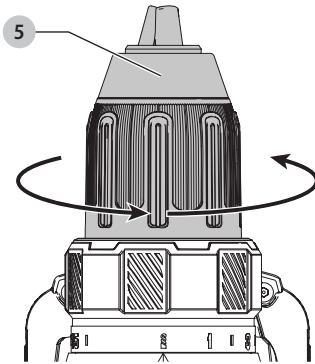
- AVERTISSEMENT :** s'assurer que le bouton de verrouillage est bien engagé pour empêcher l'activation de la détente avant de procéder à la pose ou à la dépose d'accessoires.

Pour insérer une mèche ou autre accessoire :

1. Saisir le mandrin **5**, puis le tourner dans le sens antihoraire si on se place à l'extrémité du mandrin.
2. Insérer complètement la mèche ou tout autre accessoire dans le mandrin, puis bien serrer ce dernier en le tournant dans le sens horaire, si on se place à son extrémité.

- AVERTISSEMENT :** n'essayez pas de resserrer les mèches (ou tout autre accessoire) en saisissant la partie supérieure du mandrin et en mettant l'outil en marche. Lors du changement d'accessoire, il y a risque d'endommager le mandrin et d'entraîner des blessures corporelles.

Fig. G



Perçage (Fig. H)

AVIS : en cas de perçage dans un matériau fin, utiliser un bloc de bois à l'endos de la pièce pour éviter d'endommager cette dernière.

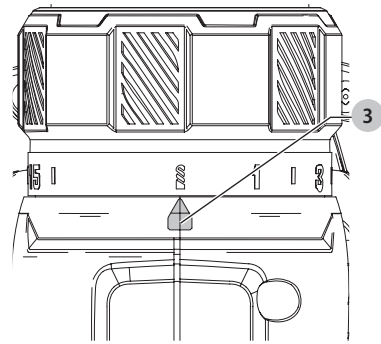
- AVERTISSEMENT :** la perceuse est susceptible de se bloquer, en fonction d'une surcharge, produisant ainsi une rotation brusque. Il faut toujours prévoir l'éventualité d'un blocage. Empoigner fermement la perceuse pour maîtriser sa rotation et ainsi éviter des blessures.

1. Sélectionnez la vitesse/le couple désiré en utilisant le bouton de changement de vitesse pour faire correspondre la vitesse et le couple à l'utilisation désirée. Tournez le collier **3** sur le symbole de perçage.
2. N'utiliser que des forets bien aiguisés.
3. Toujours exercer une pression en ligne droite par rapport à l'embout. Exercer suffisamment de pression pour faire mordre le foret, mais ne pas trop appuyer pour éviter de bloquer le moteur ou de faire dévier le foret.
4. Tenir l'outil fermement des deux mains pour maîtriser le pivotement de la perceuse. Si le modèle ne comporte

pas de poignée latérale, saisir la poignée de la perceuse avec une main et placer l'autre sur le bloc-piles.

5. SI LA PERCEUSE SE BLOQUE, le problème est généralement attribuable à une surcharge ou une mauvaise utilisation. RELÂCHER IMMÉDIATEMENT LA DÉTENTE, retirer le foret du trou percé et déterminer la cause du blocage. NE PAS APPUYER DE FAÇON RÉPÉTÉE SUR LA DÉTENTE POUR TENTER DE DÉMARRER UNE PERCEUSE BLOQUÉE, CAR CETTE PRATIQUE PEUT ENDOMMAGER L'OUTIL.
6. Pour éviter les blocages ou un bris lors de la réalisation d'un perçage, réduire la pression sur la perceuse et percer en douceur la dernière partie du trou.
7. Faire tourner la perceuse pour retirer le foret du trou percé. Cette pratique empêche le foret de se coincer.

Fig. H



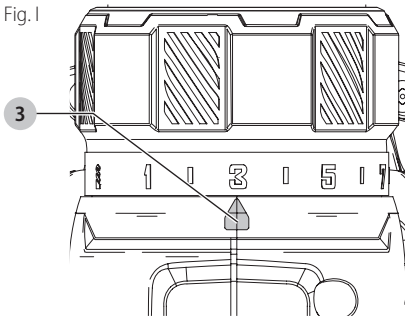
Perçage à percussion (Fig. I)

1. Sélectionnez la vitesse/le couple désiré en utilisant le bouton de changement de vitesse pour faire correspondre la vitesse et le couple à l'utilisation désirée.
2. Tourner la bague **3** sur le symbole du marteau perforateur.

REMARQUE : utiliser les mèches à pointe de carbure ou à maçonnerie pour le perçage à percussion uniquement.

3. Exercer juste assez de pression sur le marteau pour l'empêcher de rebondir excessivement ou pour éviter que le foret ne se « soulève » au-dessus de la surface à percer. Une trop grande pression réduira la vitesse de l'outil, en diminuera le rendement et provoquera une surchauffe.
4. Maintenir l'outil bien droit, en s'assurant que le foret est à angle droit avec la surface à percer. Ne pas exercer de pression latérale sur le foret en cours de perçage. En effet, cette pratique bouchera les cannelures du foret et diminuera le régime de l'outil.
5. Lors du perçage de trous profonds, si la vitesse du marteau commence à chuter, retirer partiellement le foret du trou avec le moteur toujours en marche pour dégager les débris du trou.

Fig. I



MAINTENANCE

AVERTISSEMENT : afin de réduire le risque de blessure corporelle, éteignez l'appareil et retirez le bloc-piles avant d'effectuer tout ajustement ou de retirer/installer des pièces ou des accessoires. Un déclenchement accidentel du démarrage peut causer des blessures.

Accessoires

AVERTISSEMENT : puisque les accessoires autres que ceux offerts par CRAFTSMAN n'ont pas été testés avec ce produit, leur utilisation pourrait s'avérer dangereuse. Pour réduire le risque de blessures, utiliser exclusivement les accessoires CRAFTSMAN recommandés avec le présent produit.

Les accessoires recommandés pour cet outil sont vendus séparément au centre de service de votre région. Pour obtenir de l'aide concernant l'achat d'un accessoire, communiquer avec CRAFTSMAN., composer le **1-888-331-4569**.

Versatrack™ (Fig. J)

AVERTISSEMENT : afin de réduire le risque de blessure corporelle, éteignez l'appareil et retirez le bloc-piles avant d'effectuer tout ajustement ou de retirer/installer des pièces ou des accessoires. Un déclenchement accidentel du démarrage peut causer des blessures.

AVERTISSEMENT : afin de réduire le risque de blessures graves, ne pas utiliser un crochet de suspension Versatrack™ ou rail mural Versatrack endommagé. Un crochet de suspension Versatrack™ ou un rail Versatrack™ endommagé ne supportera pas le poids de l'outil.

AVERTISSEMENT : afin de réduire le risque de blessures graves, assurez-vous que la vis qui retient le crochet de suspension Versatrack™ est bien serrée.

AVERTISSEMENT : afin de réduire le risque de blessures graves, NE PAS suspendre l'outil au-dessus du niveau de la tête ou suspendre d'autres objets à partir du crochet de suspension. Suspendez SEULEMENT l'outil sur le rail mural Versatrack™ à l'aide du crochet de suspension Versatrack™.

AVERTISSEMENT : assurez-vous que le poids de l'outil ne dépasse pas le poids nominal maximum pour le crochet Versatrack™ sélectionné.

AVERTISSEMENT : lorsque vous suspendrez des objets sur le mur Versatrack™ rail, distancez adéquatement les outils de sorte à ne pas excéder 35 kg (75 lb) par pied linéaire.

IMPORTANT : pour la fixation du crochet de suspension Versatrack™, utilisez seulement la vis fournie. Assurez-vous de bien serrer la vis. Les outils et accessoires compatibles Versatrack™ se fixent de façon sécuritaire au système Versatrack™ Trackwall.

1. Éteignez l'outil, retirez les accessoires, retirez le bloc-piles.

ATTENTION : tout produit avec dents coupantes exposées doit être couvert de façon sécuritaire s'il doit être mis sur le Versatrack™ Trackwall.

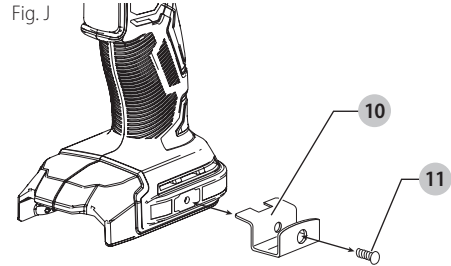
2. Fixez la ganse de suspension **10** sur l'outil.

a. Placez le crochet de suspension Versatrack™ l'emplacement du montage à la base de l'outil.

b. Utilisez un tournevis pour sécuriser le crochet de suspension avec la vis fournie. **11**. Ne pas utiliser toute autre vis pour ce faire.

REMARQUE : les accessoires Versatrack™ pour utilisation avec cet outil sont disponibles à un coût supplémentaire chez votre détaillant local ou dans un centre de services autorisé. Si vous avez besoin d'aide pour trouver un accessoire, veuillez contacter CRAFTSMAN, appelez au **1-888-331-4569**.

Fig. J



Crochet de ceinture (Fig. J)

Accessoire en option

AVERTISSEMENT : pour réduire tout risque de dommages corporels graves, placer le bouton de marche avant/arrière en position de verrouillage ou arrêter l'outil et déconnecter le bloc-piles avant tout réglage ou avant de retirer ou installer toute pièce ou tout accessoire. Un démarrage accidentel peut provoquer des blessures.

AVERTISSEMENT : pour réduire tout risque de dommages corporels graves, suspendre le crochet de ceinture de l'outil UNIQUEMENT à une ceinture porte-outils. Pendant l'utilisation, NE PAS utiliser le crochet de ceinture pour arrimer l'outil à une personne ou à un objet. NE PAS suspendre l'outil au-dessus de la tête, ou suspendre des objets au crochet de ceinture.

⚠ AVERTISSEMENT : pour réduire tout risque de dommages corporels graves, s'assurer que la vis maintenant le crochet de ceinture est bien resserrée.

IMPORTANT : pour rattacher ou remplacer le crochet de ceinture, utiliser systématiquement la vis **11** fournie à cet effet. S'assurer de serrer fermement la vis.

Le crochet de ceinture peut être rattaché de l'un ou l'autre côté de l'outil à l'aide seulement de la vis **11** fournie, pour accommoder un gaucher ou un droitier. Si vous ne désirez pas utiliser le crochet, il peut être complètement retiré de l'outil.

Pour déplacer le crochet de ceinture, retirez la vis le maintenant en place puis réassemblez-le sur le côté opposé. Assurez-vous de resserrer fermement la vis.

Nettoyage

⚠ AVERTISSEMENT : enlever les saletés et la poussière hors des événements au moyen d'air comprimé propre et sec, au moins une fois par semaine. Pour minimiser le risque de blessure aux yeux, toujours porter une protection oculaire conforme à la norme ANSI Z87.1 lors du nettoyage.

⚠ AVERTISSEMENT : ne jamais utiliser de solvants ni d'autres produits chimiques puissants pour nettoyer les pièces non métalliques de l'outil. Ces produits chimiques peuvent affaiblir les matériaux de plastique utilisés dans ces pièces. Utiliser un chiffon humecté uniquement d'eau et de savon doux. Ne jamais laisser de liquide pénétrer dans l'outil et n'immerger aucune partie de l'outil dans un liquide.

Réparations

Le chargeur et le bloc-piles ne sont pas réparables. Le chargeur ou le bloc-piles ne comportent aucune pièce réparables.

⚠ AVERTISSEMENT : pour assurer la SÉCURITÉ et la FIABILITÉ du produit, les réparations, l'entretien et les réglages doivent être réalisés (cela comprend l'inspection et le remplacement du balai, le cas échéant) par un centre de réparation en usine CRAFTSMAN ou un centre de réparation agréé CRAFTSMAN. Toujours utiliser des pièces de rechange identiques.

Registre en ligne

Merci pour votre achat. Enregistrez dès maintenant votre produit :

- **RÉPARATIONS SOUS GARANTIE:** cette carte remplie vous permettra de vous prévaloir du service de réparations sous garantie de façon plus efficace dans le cas d'un problème avec le produit.
- **CONFIRMATION DE PROPRIÉTÉ:** en cas de perte provoquée par un incendie, une inondation ou un vol, cette preuve de propriété vous servira de preuve auprès de votre compagnie d'assurances.
- **SÉCURITÉ:** l'enregistrement de votre produit nous permettra de communiquer avec vous dans

l'éventualité peu probable de l'envoi d'un avis de sécurité régi par la loi fédérale américaine de la protection des consommateurs.

Registre en ligne à www.craftsman.com/registration

Garantie limitée de trois ans

CRAFTSMAN réparera ou remplacera sans frais tout appareil défectueux pour cause de défaut de matériau ou de main-d'œuvre sur une période de trois ans à partir de la date d'achat de l'outil (deux ans pour les bloc-piles). Cette garantie ne couvre pas les pièces en panne pour cause d'abus ou d'usure normale de l'outil. Pour plus de détails au sujet de la couverture de la garantie et l'information de réparation sous garantie, visitez www.craftsman.com ou composez le **1-888-331-4569**. Cette garantie ne s'applique pas aux accessoires ou dommages causés par des réparations effectuées ou tentées par d'autres. CETTE GARANTIE REMPLACE TOUTES LES AUTRES, INCLUANT LES GARANTIES IMPLICITES DE LA QUALITÉ MARCHANDE ET L'APTITUDE POUR UN BUT PARTICULIER, ET EXCLUT TOUS LES DOMMAGES ACCIDENTELS OU CONSÉCUTIFS. Certaines provinces ne permettent pas de limitation sur la durée de la garantie implicite ou l'exclusion ou la limitation de dommages indirects, alors ces limitations peuvent ne pas s'appliquer à vous. Cette garantie vous donne des droits légaux particuliers et vous pouvez avoir d'autres droits qui varient selon les états ou les provinces,.

CONTRAT D'ENTRETIEN GRATUIT DE DEUX ANS SUR LES BLOC-PILES CRAFTSMAN

CMCB201, CMCB2011

CONTRAT D'ENTRETIEN GRATUIT DE TROIS ANS SUR LES BLOC-PILES CRAFTSMAN

CMCB202, CMCB204

REMARQUE : La garantie de se produit sera annulée si le bloc-piles a été altéré de quelque façon que ce soit. CRAFTSMAN ne peut être tenu responsable de tout dommage corporel causé par l'altération du produit et pourra poursuivre toute fraude en matière de garantie dans toute l'étendue permise par la loi.

GARANTIE DE REMBOURSEMENT DE 90 JOURS

Si l'acheteur n'est pas entièrement satisfait, pour quelque raison que ce soit, du rendement de l'outil électrique ou de la cloueuse CRAFTSMAN, celui-ci peut le retourner, accompagné d'un reçu, dans les 90 jours à compter de la date d'achat pour obtenir un remboursement intégral, sans aucun problème.

AMÉRIQUE LATINE : cette garantie ne s'applique aux produits vendus en Amérique latine. Pour ceux-ci, veuillez consulter les informations relatives à la garantie spécifique présente dans l'emballage, appeler l'entreprise locale ou consulter le site Web pour les informations relatives à cette garantie.

REMPLACEMENT GRATUIT DES ÉTIQUETTES

D'AVERTISSEMENT : si les étiquettes d'avertissement deviennent illisibles ou sont manquantes, composer le **1-888-331-4569** pour en obtenir le remplacement gratuit.

Definiciones: Símbolos y Palabras de Alerta de Seguridad

Este manual de instrucciones utiliza los siguientes símbolos y palabras de alerta de seguridad para alertarle de situaciones peligrosas y del riesgo de lesiones corporales o daños materiales.

! **PELIGRO:** Indica una situación de peligro inminente que, si no se evita, provocará **la muerte o lesiones graves**.

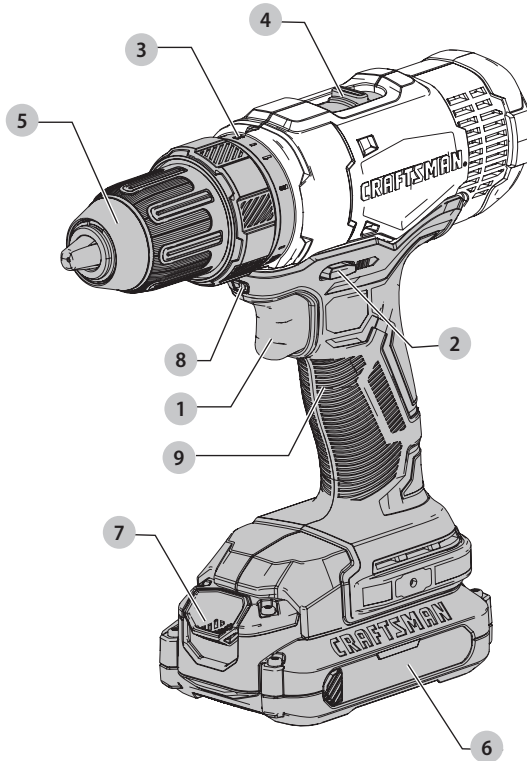
! **ADVERTENCIA:** Indica una situación de peligro potencial que, si no se evita, **podría provocar la muerte o lesiones graves**.

! **ATENCIÓN:** Indica una situación de peligro potencial que, si no se evita, **posiblemente provocaría lesiones leves o moderadas**.

! (Utilizado sin palabras) indica un mensaje de seguridad relacionado.

AVISO: Se refiere a una práctica **no relacionada a lesiones corporales** que de no evitarse **puede resultar en daños a la propiedad**.

Fig. A



COMPONENTES

- 1 Interruptor disparador
- 2 Botón de control de avance/reversa
- 3 Anillo de torsión ajustable
- 4 Conmutador de velocidades
- 5 Portabrocas sin llave
- 6 Unidad de batería
- 7 Botón de liberación de la batería
- 8 Luz de trabajo
- 9 Mango principal

! **ADVERTENCIA:** Lea todas las advertencias de seguridad e instrucciones. El incumplimiento de las advertencias e instrucciones puede provocar descargas eléctricas, incendios o lesiones graves.

! **ADVERTENCIA:** Nunca modifique la herramienta eléctrica, ni tampoco ninguna de sus piezas. Podría producir lesiones corporales o daños.



ADVERTENCIA: Para reducir el riesgo de lesiones, lea el manual de instrucciones.

Si tiene alguna duda o algún comentario sobre ésta u otra herramienta CRAFTSMAN, llámenos al número gratuito: 1-888-331-4569.

Taladro/Destornillador de 13 mm (1/2") 20 V Máx* CMCD701

ADVERTENCIAS GENERALES DE SEGURIDAD PARA HERRAMIENTAS ELÉCTRICAS



ADVERTENCIA: Lea todas las advertencias de seguridad, instrucciones, ilustraciones y especificaciones incluidas con esta herramienta eléctrica. La falla en seguir todas las instrucciones siguientes puede resultar en descarga eléctrica, incendio y/o lesiones serias.

CONSERVE TODAS LAS ADVERTENCIAS E INSTRUCCIONES PARA FUTURAS CONSULTAS

El término "herramienta eléctrica" incluido en las advertencias hace referencia a las herramientas eléctricas operadas con corriente (con cable eléctrico) o a las herramientas eléctricas operadas con baterías (inalámbricas).

1) Seguridad en el Área de Trabajo

- Mantenga el área de trabajo limpia y bien iluminada.** Las áreas abarrotadas y oscuras propician accidentes.
- No opere las herramientas eléctricas en atmósferas explosivas, como ambientes donde haya polvo, gases o líquidos inflamables.** Las herramientas eléctricas originan chispas que pueden encender el polvo o los vapores.
- Mantenga alejados a los niños y a los espectadores de la herramienta eléctrica en funcionamiento.** Las distracciones pueden provocar la pérdida de control.

2) Seguridad Eléctrica

- Los enchufes de la herramienta eléctrica deben adaptarse al tomacorriente. Nunca modifique el enchufe de ninguna manera. No utilice ningún enchufe adaptador con herramientas eléctricas con conexión a tierra.** Los enchufes no modificados y que se adaptan a los tomacorrientes reducirán el riesgo de descarga eléctrica.
- Evite el contacto corporal con superficies con descargas a tierra como, por ejemplo, tuberías, radiadores, cocinas eléctricas y refrigeradores.** Existe mayor riesgo de descarga eléctrica si su cuerpo está puesto a tierra.
- No exponga las herramientas eléctricas a la lluvia o a condiciones de humedad.** Si entra agua a una herramienta eléctrica, aumentará el riesgo de descarga eléctrica.
- No maltrate el cable. Nunca utilice el cable para transportar, tirar o desenchufar la herramienta eléctrica. Mantenga el cable alejado del calor, el aceite, los bordes filosos y las piezas móviles.** Los cables dañados o enredados aumentan el riesgo de descarga eléctrica.

- Al operar una herramienta eléctrica en el exterior, utilice un cable prolongador adecuado para tal uso.** Utilice un cable adecuado para uso en exteriores a fin de reducir el riesgo de descarga eléctrica.
- Si el uso de una herramienta eléctrica en un lugar húmedo es imposible de evitar, utilice un suministro protegido con un interruptor de circuito por falla a tierra (GFCI).** El uso de un GFCI reduce el riesgo de descargas eléctricas.

3) Seguridad Personal

- Permanezca alerta, controle lo que está haciendo y utilice el sentido común cuando emplee una herramienta eléctrica. No utilice una herramienta eléctrica si está cansado o bajo el efecto de drogas, alcohol o medicamentos.** Un momento de descuido mientras se opera una herramienta eléctrica puede provocar lesiones personales graves.
- Utilice equipos de protección personal. Siempre utilice protección para los ojos.** En las condiciones adecuadas, el uso de equipos de protección, como máscaras para polvo, calzado de seguridad antideslizante, cascos o protección auditiva, reducirá las lesiones personales.
- Evite el encendido por accidente. Asegúrese de que el interruptor esté en la posición de apagado antes de conectarlo a la fuente de energía o paquete de baterías, o antes de levantar o transportar la herramienta.** Transportar herramientas eléctricas con el dedo apoyado en el interruptor o enchufar herramientas eléctricas con el interruptor en la posición de encendido puede propiciar accidentes.
- Retire la clavija de ajuste o la llave de tuercas antes de encender la herramienta eléctrica.** Una llave de tuercas o una clavija de ajuste que quede conectada a una pieza giratoria de la herramienta eléctrica puede provocar lesiones personales.
- No se estire. Conserve el equilibrio y párese adecuadamente en todo momento.** Esto permite un mejor control de la herramienta eléctrica en situaciones inesperadas.
- Use la vestimenta adecuada. No use ropas holgadas ni joyas. Mantenga el cabello, la ropa y los cuantes alejados de las piezas en movimiento.** Las ropas holgadas, las joyas o el cabello largo pueden quedar atrapados en las piezas en movimiento.
- Si se suministran dispositivos para la conexión de accesorios con fines de recolección y extracción de polvo, asegúrese de que estén conectados y que se utilicen correctamente.** El

uso de dispositivos de recolección de polvo puede reducir los peligros relacionados con el polvo.

- h) **No permita que la familiaridad obtenida a partir del uso frecuente de herramientas le permitan volverse descuidado e ignorar los principios de seguridad de la herramienta.** Una acción descuidada puede causar lesiones severas en una fracción de segundo.

4) Uso y Mantenimiento de la Herramienta Eléctrica

- a) **No fuerce la herramienta eléctrica. Utilice la herramienta eléctrica correcta para el trabajo que realizará.** Si se la utiliza a la velocidad para la que fue diseñada, la herramienta eléctrica correcta permite trabajar mejor y de manera más segura.
- b) **No utilice la herramienta eléctrica si no puede encenderla o apagarla con el interruptor.** Toda herramienta eléctrica que no pueda ser controlada mediante el interruptor es peligrosa y debe repararse.
- c) **Desconecte el enchufe de la fuente de alimentación y/o retire la batería, o paquete si es desmontable, de la herramienta eléctrica antes de realizar cualquier ajuste, cambiar accesorios o almacenar herramientas eléctricas.** Estas medidas de seguridad preventivas reducen el riesgo de encender la herramienta eléctrica en forma accidental.
- d) **Guarde la herramienta eléctrica que no esté en uso fuera del alcance de los niños y no permita que otras personas no familiarizadas con ella o con estas instrucciones operen la herramienta.** Las herramientas eléctricas son peligrosas si son operadas por usuarios no capacitados.
- e) **Dé mantenimiento a las herramientas eléctricas y accesorios. Revise que no haya piezas en movimiento mal alineadas o trabadas, piezas rotas o cualquier otra situación que pueda afectar el funcionamiento de la herramienta eléctrica. Si encuentra daños, haga reparar la herramienta eléctrica antes de utilizarla.** Se producen muchos accidentes a causa de las herramientas eléctricas que carecen de un mantenimiento adecuado.
- f) **Mantenga las herramientas de corte afiladas y limpias.** Las herramientas de corte con mantenimiento adecuado y con los bordes de corte afilados son menos propensas a trabarse y son más fáciles de controlar.
- g) **Utilice la herramienta eléctrica, los accesorios y las brocas de la herramienta, etc. de acuerdo con estas instrucciones y teniendo en cuenta las condiciones de trabajo y el trabajo que debe realizarse.** El uso de la herramienta eléctrica para operaciones diferentes de aquéllas para las que fue diseñada podría originar una situación peligrosa.

- h) **Mantenga las manijas y superficies de sujeción secas, limpias y libres de aceite y grasa.**

Las manijas y superficies de sujeción resbalosas no permiten el manejo y control seguros de la herramienta en situaciones inesperadas.

5) Uso y Mantenimiento de la Herramienta con Baterías

- a) **Recargue solamente con el cargador especificado por el fabricante.** Un cargador adecuado para un tipo de paquete de baterías puede originar riesgo de incendio si se utiliza con otro paquete de baterías.
- b) **Utilice herramientas eléctricas sólo con paquetes de baterías específicamente diseñados.** El uso de cualquier otro paquete de baterías puede producir riesgo de incendio y lesiones.
- c) **Cuando no utilice el paquete de baterías, manténgalo lejos de otros objetos metálicos como sujetapapeles, monedas, llaves, clavos, tornillos u otros objetos metálicos pequeños que puedan realizar una conexión desde un terminal al otro.** Los cortocircuitos en los terminales de la batería pueden provocar quemaduras o incendio.
- d) **En condiciones abusivas, el líquido puede ser expulsado de la batería. Evite su contacto. Si entra en contacto accidentalmente, enjuague con agua. Si el líquido entra en contacto con los ojos, busque atención médica.** El líquido expulsado de la batería puede provocar irritación o quemaduras.
- e) **No use un paquete de batería o herramienta que estén dañados o modificados.** Las baterías dañadas o modificadas pueden presentar un comportamiento impredecible que resulte en incendios, explosión o riesgo de lesiones."
- f) **No exponga un paquete de batería o una herramienta a fuego o temperatura excesiva.** La exposición a fuego o temperaturas mayores a 129 °C (265 °F) pueden causar una explosión."
- g) **Siga todas las instrucciones de carga y no cargue el paquete de batería o la herramienta fuera del rango de temperatura especificado en las instrucciones.** Cargar inadecuadamente o en una temperatura fuera del rango de temperatura especificado puede dañar la batería e incrementar el riesgo de incendio.

6) Mantenimiento

- a) **Solicite a una persona calificada en reparaciones que realice el mantenimiento de su herramienta eléctrica y que sólo utilice piezas de repuesto idénticas.** Esto garantizará la seguridad de la herramienta eléctrica.
- b) **Nunca dé servicio a paquetes de batería dañados.** El servicio de paquetes de batería sólo debe ser realizado por el fabricante o proveedores de servicio autorizados.

Advertencias de Seguridad Para Taladros/Destornilladores

- **Cuando use el taladro percutor, use protectores auditivos.** La exposición a ruidos fuertes puede causar pérdida auditiva.
- **Utilice el (los) mango(s) auxiliares, si alguno viene con la herramienta.** Perder el control de la herramienta podría causar lesiones corporales.
- **Sujete la herramienta eléctrica de sus superficies aislantes cuando lleve a cabo una operación en que el accesorio de corte pudiera entrar en contacto con un hilo eléctrico oculto.** Los accesorios de corte que entren en contacto con un hilo eléctrico activo podrían hacer que las partes metálicas de la herramienta eléctrica también se activen con electricidad y que el operador sufra una descarga eléctrica.
- **Sujete la herramienta firmemente en todo momento.** No intente hacer funcionar esta herramienta sin sostenerla con ambas manos. Si intenta hacerla funcionar con una sola mano, podría perder el control de la herramienta. También podría ser peligroso perforar o encontrar materiales duros, como barras de refuerzo.
- **Utilice abrazaderas u otra forma práctica para asegurar y sostener la pieza de trabajo en una plataforma estable.** Sostener el trabajo con la mano o contra el cuerpo no brinda la estabilidad requerida y puede llevar a la pérdida del control.
- **Use lentes de seguridad u otra protección similar para los ojos.** Al martillar o taladrar se producen astillas. Las partículas volátiles pueden provocar lesiones oculares permanentes.
- **Los accesorios y la herramienta pueden calentarse durante la operación.** Use guantes si realizará aplicaciones que generan calor, como el taladrado con el percutor y el taladrado de metales.
- **No opere esta herramienta durante períodos largos de tiempo.** La vibración provocada por la acción de percusión puede ser peligrosa para sus manos y brazos. Utilice guantes para mayor amortiguación y descanse con frecuencia para limitar el riesgo de exposición.
- **Los accesorios y la herramienta pueden calentarse durante la operación.** Use guantes si realizará aplicaciones que generan calor, como el taladrado con el percutor y el taladrado de metales.

Instrucción Adicional de Seguridad



ADVERTENCIA: Use **SIEMPRE** lentes de seguridad. Los anteojos de diario **NO SON** lentes de seguridad. Utilice además una cubrebocas o mascarilla antipolvo si la operación de corte genera demasiado polvo. SIEMPRE LLEVE EQUIPO DE SEGURIDAD CERTIFICADO:

- protección ocular ANSI Z87.1 (CAN/CSA Z94.3),
- protección auditiva ANSI S12.6 (S3.19),
- protección respiratoria NIOSH/OSHA/MSHA.



ADVERTENCIA: Algunas partículas de polvo generadas al lijar, serrar, esmerilar y taladrar con

herramientas eléctricas, así como al realizar otras actividades de construcción, contienen químicos que el Estado de California sabe que pueden producir cáncer, defectos congénitos u otras afecciones reproductivas. Ejemplos de estos químicos son:

- plomo de algunas pinturas en base a plomo,
- polvo de sílice proveniente de ladrillos y cemento y otros productos de albañilería, y
- arsénico y cromo provenientes de madera tratada químicamente.

Su riesgo de exposición a estos químicos varía, dependiendo de la frecuencia con la cual realiza usted este tipo de trabajo. Para reducir su exposición a estas sustancias químicas: trabaje en una zona bien ventilada y llevando equipos de seguridad aprobados, como mascarillas antipolvo especialmente diseñadas para filtrar partículas microscópicas.

- **Evite el contacto prolongado con polvo generado por el lijado, aserrado, pulido, taladrado y otras actividades de construcción. Vista ropas protectoras y lave las áreas de la piel expuestas con agua y jabón.** Si permite que el polvo se introduzca en la boca u ojos o quede sobre la piel, puede favorecer la absorción de productos químicos peligrosos.



ADVERTENCIA: La utilización de esta herramienta puede generar polvo o dispersarlo, lo que podría causar daños graves y permanentes al sistema respiratorio, así como otras lesiones. Siempre use protección respiratoria aprobada por NIOSH (Instituto Nacional de Seguridad y Salud en el Trabajo) u OSHA (Administración de Seguridad y Salud en el Trabajo) apropiada para la exposición al polvo. Dirija las partículas en dirección contraria a la cara y el cuerpo.



ADVERTENCIA: Siempre lleve la debida protección auditiva personal en conformidad con ANSI S12.6 (S3.19) durante el uso de esta herramienta. Bajo algunas condiciones y duraciones de uso, el ruido producido por este producto puede contribuir a la pérdida auditiva.













ATENCIÓN: Cuando no esté en uso, guarde la herramienta apoyada en un costado sobre una superficie estable, donde no interrumpa el paso o provoque una caída. Algunas herramientas se pueden colocar en posición vertical, pero pueden caer fácilmente.

- **Los orificios de ventilación suelen cubrir piezas en movimiento, por lo que también se deben evitar.** Las piezas en movimiento pueden atrapar prendas de vestir sueltas, joyas o el cabello largo.

La etiqueta de su herramienta puede incluir los siguientes símbolos. A continuación se indican los símbolos y sus definiciones:

V	voltios	⚠	Construcción de Clase I (tierra)
Hz	hertz	⌚	por minuto
min	minutos	⚡	golpes por minuto
⎓ or DC.....	direct current		

ESPAÑOL

IPM.....	impactos por minuto	n_0	velocidad sin carga
RPM.....	revoluciones por minuto	n	velocidad nominal
sfpm.....	pies de superficie por minuto		terminal de conexión a tierra
SPM.....	pasadas por minuto		símbolo de advertencia de seguridad
OPM.....	oscilaciones por minuto		radiación visible
A.....	amperios		evite mirar fijamente la luz
W.....	vatios		protección respiratoria
 or AC.....	corriente alterna		protección ocular
 or AC/DC.....	corriente alterna o directa		protección auditiva
	Construcción de Clase II (doble aislamiento)		lea toda la documentación
IPXX.....	símbolo IP		

BATERÍAS Y CARGADORES

La batería no viene completamente cargada de fábrica. Antes de utilizar la batería y el cargador, lea las siguientes instrucciones de seguridad y luego siga los procedimientos de carga indicados. Cuando pida baterías de repuesto, no olvide indicar el número de catálogo y el voltaje.

LEA TODAS LAS INSTRUCCIONES

Instrucciones de Seguridad Importantes Para Todas las Unidades de Batería



ADVERTENCIA: Lea todas las advertencias de seguridad, instrucciones y marcas de precaución para el paquete de la batería, el cargador y el producto. No seguir las advertencias y las instrucciones puede provocar una descarga eléctrica, un incendio y/o lesiones graves.

- **No cargue o use la unidad de batería en atmósferas explosivas, como en presencia de líquidos, gases o polvos inflamables.** Puede que al insertar o sacar la unidad de batería del cargador se inflamen el polvo o los gases.
- **Cuando el paquete de batería no esté en uso, manténgalo alejado de otros objetos metálicos, como sujetadores de papel, monedas, llaves, clavos, tornillos, u otros objetos pequeños de metal que puedan hacer una conexión de una terminal a otra.** Conectar en corto circuito las terminales de la batería puede causar quemaduras o un incendio.
- **NUNCA fuerce la unidad de batería para que entre en el cargador. NO modifique la unidad de batería en ninguna forma para que entre en un cargador no compatible, pues puede producir una ruptura en la unidad de batería y causar lesiones corporales graves.**
- **Cargue las unidades de batería sólo en los cargadores designados por CRAFTSMAN.**

- **NO salpique con ni sumerja en agua u otros líquidos.**
- **No guarde ni use la herramienta y unidad de batería en lugares donde la temperatura pueda alcanzar o superar los 40 °C (104 °F), tales como cobertizos o construcciones de metal durante el verano.** Almacene las unidades de batería en lugares frescos y secos para maximizar su vida útil.
NOTA: No almacene las unidades de batería en la herramienta con el interruptor de gatillo en posición encendida fija. Nunca use cinta adhesiva para mantener el interruptor de gatillo en posición ENCENDIDA.
- **No incinere la unidad de batería, aunque esté completamente dañada o descargada. La unidad de batería puede explotar si se quema.** Cuando se queman unidades de batería de iones de litio, se producen gases y materiales tóxicos.
- **Si el contenido de la batería entra en contacto con la piel, lave el área de inmediato con agua y un jabón suave.** Si el líquido de la batería entra en contacto con sus ojos, enjuáguelos con agua y los ojos abiertos por 15 minutos o hasta que cese la irritación. Si se requiere de asistencia médica, el electrolito de la batería está compuesto por una mezcla de carbonatos orgánicos líquidos y sales de litio.
- **El contenido de los elementos abiertos de la batería puede causar irritación en el tracto respiratorio.** Salga al aire fresco. Si los síntomas persisten, busque asistencia médica.



ADVERTENCIA: Peligro de quemaduras. El líquido de la batería puede ser inflamable si se expone a chispas o llamas.



ADVERTENCIA: Peligro de incendio. Nunca intente abrir la unidad de batería por ningún motivo. Si la caja exterior de la unidad de batería se triza o daña, no la introduzca en el cargador. No triture, deje caer o dañe la unidad de batería. No use una unidad de batería o un cargador que haya sido golpeado, dejado caer, atropellado o dañado en cualquier forma (por ejemplo, perforado por un clavo, golpeado con un martillo, pisado). Lleve sus unidades de batería dañadas al centro de servicio para que sean recicladas.

Recomendaciones de Almacenamiento

1. El mejor lugar de almacenamiento es uno que sea fresco y seco, lejos de la luz solar directa y del exceso de calor o frío.
2. Para resultados óptimos durante tiempos prolongados de almacenamiento, se recomienda almacenar la unidad de batería completamente cargada en un lugar fresco y seco fuera del cargador.

NOTA: Las unidades de batería no deberían almacenarse completamente descargadas. La unidad de batería deberá recargarse antes de ser usada.

Instrucciones de Limpieza del Batería

1. Para limpiar la suciedad y grasa del exterior del cargador puede usarse un paño o cepillo suave no metálico. No use agua ni soluciones limpiadoras.

El sello RBRC®

El sello RBRC® (Rechargeable Battery Recycling Corporation) en las baterías (unidades de batería) de níquel cadmio, níquel e hidruro metálico o de iones de litio indica que el costo de reciclaje de estas baterías (o unidades de batería) al llegar al final de su vida de servicio ya ha sido pagado por CRAFTSMAN. En algunas áreas, es ilegal depositar baterías de níquel cadmio, níquel e hidruro metálico o de iones de litio gastadas en la basura o la corriente de residuos sólidos urbanos; el programa Call 2 Recycle® proporciona una alternativa ecológica.

Call 2 Recycle, Inc., en cooperación con CRAFTSMAN y otros usuarios de baterías, han establecido programas en los Estados Unidos y Canadá para facilitar la recolección de baterías de níquel cadmio, níquel e hidruro metálico o de iones de litio gastadas. Al llevar sus baterías de níquel cadmio, níquel e hidruro metálico y de iones de litio gastadas a un centro de servicio autorizado por CRAFTSMAN o al minorista local para que sean recicladas, ayuda a proteger el medio ambiente y a conservar recursos naturales. También puede comunicarse con el centro de reciclaje de su localidad para mayor información sobre dónde llevar sus baterías gastadas.

RBRC® es una marca comercial registrada de Call 2 Recycle, Inc.



Transporte



ADVERTENCIA: Peligro de incendio. No guarde o transporte la batería de forma que los terminales expuestos de la misma puedan estar en contacto con objetos metálicos. Por ejemplo, no ponga la batería en delantales, bolsillos, cajas de herramientas, estuches de productos, cajones, etc., junto con clavos, tornillos, y llaves, etc. **El transporte de baterías puede causar incendios si sus terminales inadvertidamente entran en contacto con materiales conductores como llaves, monedas, herramientas manuales y otros por el estilo.** El Reglamento sobre Materiales Peligrosos (HMR) del Departamento de Transporte de EE.UU. prohíbe transportar baterías comercialmente o en aviones en el equipaje de mano A MENOS que estén debidamente protegidas contra cortocircuitos. Por lo tanto, cuando transporte baterías individuales, asegúrese de que sus terminales estén protegidos y debidamente aislados de los materiales que pudieran entrar en contacto con ellos y provocar un cortocircuito. **NOTA:** Las baterías de iones de LI-ION no deben colocarse dentro del equipaje registrado.

Instrucciones Importantes de Seguridad

Para Todos los Cargadores de Baterías



ADVERTENCIA: Lea todas las advertencias de seguridad, instrucciones y marcas de precaución para el paquete de la batería, el cargador y el producto. No seguir las advertencias y las instrucciones puede provocar una descarga eléctrica, un incendio y/o lesiones graves.

- **NO intente cargar el paquete de batería con ningún cargador diferente a un cargador CRAFTSMAN.** El cargador y el paquete de batería CRAFTSMAN están diseñados específicamente para funcionar juntos.
- **Estos cargadores no fueron diseñados para ser utilizados para más que cargar las baterías recargables CRAFTSMAN.** Cualquier otro uso puede producir riesgo de incendios, descargas eléctricas o electrocución.
- **No exponga el cargador a la lluvia o a la nieve.**
- **Tire del enchufe y no del cable cuando desconecte el cargador.** De esta forma se reduce el riesgo de daño al enchufe y cable.
- **Asegúrese de que el cable no sea ubicado de manera que podría ser pisado, causar que alguien tropiece con él o ser expuesto a otro tipo de daños y desgastes.**
- **No use un alargador a menos que sea absolutamente necesario.** El uso de un alargador incorrecto podría producir riesgo de incendios, descargas eléctricas o electrocución.
- **Cuando opere un cargador al exterior, hágalo siempre en un lugar seco y use un alargador apropiado para uso al exterior.** El uso de un alargador apropiado para uso al exterior reduce el riesgo de descarga eléctrica.
- **Los hilos del alargador deben ser de un calibre apropiado (AWG o American Wire Gauge) para su seguridad.** Mientras menor sea el calibre del hilo, mayor la capacidad del cable. Es decir, un hilo calibre 16 tiene mayor capacidad que uno de 18. Un cable de un calibre insuficiente causará una caída en la tensión de la línea dando por resultado una pérdida de energía y sobrecalentamiento. Cuando se utilice más de un alargador para completar el largo total, asegúrese que los hilos de cada alargador tengan el calibre mínimo. La tabla siguiente muestra el tamaño correcto a utilizar, dependiendo de la longitud del cable y del amperaje nominal de la placa de identificación. Si tiene dudas sobre cuál calibre usar, use un calibre mayor. Cuanto menor sea el número del calibre, más resistente será el cable.

Calibre mínimo de conjuntos de cables

Voltios		Longitud total del cable en pies (metros)			
		25 (7,6)	50 (15,2)	100 (30,5)	150 (45,7)
120 V		25 (7,6)	50 (15,2)	100 (30,5)	150 (45,7)
240 V		50 (15,2)	100 (30,5)	200 (61,0)	300 (91,4)
Amperaje nominal		AWG			
Más de	No Más de				
0	6	18	16	16	14
6	10	18	16	14	12
10	12	16	16	14	12
12	16	14	12	No recomendado	

- **No coloque ningún objeto encima del cargador ni coloque a este sobre una superficie blanda que pudiera bloquear las ranuras de ventilación y resultar en un calor interno excesivo.** Coloque el cargador en un lugar alejado de cualquier fuente de calor. El cargador se ventila a través de las ranuras que se encuentran en la parte superior e inferior de la caja protectora.
- **No opere el cargador si su cable o enchufe están dañados**—reemplácelos de inmediato.
- **No opere el cargador si ha recibido un golpe agudo, si se ha caído o si ha sido dañado de alguna otra forma.** Llévelo a un centro de servicio autorizado.
- **No desarme el cargador; llévelo a un centro de servicio autorizado cuando deba ser reparado.** Si es reensamblado incorrectamente, puede causar descargas eléctricas, electrocución o incendios.
- **Desenchufe el cargador antes de intentar limpiarlo.** Esto reducirá el riesgo de descargas eléctricas. El retirar el paquete de baterías no reducirá este riesgo.
- **NUNCA** intente conectar 2 cargadores entre sí.
- **El cargador está diseñado para operar con una corriente eléctrica estándar residencial de 120 V. No intente usarlo con ningún otro voltaje.** Esto no aplica al cargador vehicular.

- ⚠ **ADVERTENCIA:** Peligro de descarga eléctrica. No permita que ningún líquido se introduzca en el cargador. Puede producir descargas eléctricas.
- ⚠ **ADVERTENCIA:** Peligro de quemaduras. No sumerja la unidad de batería en líquido de ningún tipo ni permita que se introduzca ningún tipo de líquido a la unidad de batería. Nunca intente abrir la unidad de batería por ningún motivo. Si la caja plástica de la unidad de batería se triza o rompe, llévela a un centro de servicio para su reciclaje.
- ⚠ **ATENCIÓN:** Peligro de quemaduras. Para reducir el riesgo de lesiones, sólo cargue unidades de batería recargables marca CRAFTSMAN. Otros tipos de batería podrían sobrecalentarse y reventar lo que podría resultar en lesiones corporales y daños a su propiedad.
- ⚠ **ATENCIÓN:** Bajo ciertas condiciones, cuando el cargador está enchufado a una toma de corriente, el cargador puede hacer cortocircuito si entra en contacto con algún material ajeno. Los materiales ajenos de naturaleza conductora, como el polvo de

esmerilado, las placas de metal, la lana de acero, el papel de aluminio y otros, o cualquier acumulación de partículas metálicas deberían mantenerse alejados de las cavidades del cargador. Desenchufe siempre el cargador cuando no haya una unidad de batería en su cavidad. Desenchufe el cargador antes de intentar limpiarlo.

Carga de la Batería

NOTA: Para garantizar el máximo desempeño y la vida útil de los paquetes de baterías de iones de litio, cargue la batería por completo antes del primer uso.

1. Conecte el cargador en un tomacorriente apropiado antes de insertar el paquete de batería.
2. Conecte el cargador y el paquete de baterías, asegurándose que la batería esté completamente asentada. La luz (carga) parpadeará continuamente indicando que el proceso de carga ha comenzado.
3. La terminación de la carga se indicará por la luz que permanece encendida continuamente. El paquete de batería está completamente cargado y se puede retirar y usar en este momento o dejarse en el cargador.

NOTA: Para retirar el paquete de la batería, algunos cargadores requieren que se presione el botón de liberación del paquete de batería.

Indicators		
	Unidad en Proceso de Carga	
	Unidad Cargada	
	Retraso por Unidad Caliente/ Fría	

Un cargador no cargará una batería defectuosa. El cargador que se niega a encenderse podría indicar un problema con el cargador.

NOTA: Si el cargador no quiere encender, lleve el cargador y el paquete de batería para que los prueben en un centro de servicio autorizado.

Retraso por Batería Caliente/Fría

Cuando el cargador detecta que una batería está demasiado caliente o demasiado fría, inicia automáticamente un Retraso por batería caliente/fría y suspende la carga hasta que la batería alcanza una temperatura adecuada. En ese momento, el cargador inicia automáticamente el modo de carga de la batería. Esta función garantiza la máxima duración de la batería.

Una batería fría puede cargar más lentamente que una batería caliente.

Notas Importantes Sobre la Carga

1. Se puede obtener una mayor duración y un mejor rendimiento si la unidad de batería se carga a una temperatura ambiente de 18°–24 °C (65–75 °F). NO cargue cuando el paquete de batería esté debajo de +4,5 °C (+40 °F), o arriba de +40 °C (+104 °F). Esto es importante y evitará causar daños graves a la batería.

2. Puede que el cargador y la unidad de batería se calienten ligeramente durante el proceso de carga. Esto es normal y no representa ningún problema. Para facilitar el enfriamiento de la unidad de batería después del uso, evite colocar el cargador o la unidad de batería en un lugar cálido, como un cobertizo metálico o un remolque sin aislamiento térmico.
3. Si la unidad de batería no se carga correctamente:
 - a. Verifique el funcionamiento de la toma enchufando una lámpara u otro aparato;
 - b. Revise que la toma de corriente no esté conectada a un interruptor de luz que corte la corriente cuando se corte la luz;
 - c. Mueva el cargador y la unidad de batería a un lugar donde la temperatura ambiental sea aproximadamente 18–24 °C (65–75 °F);
 - d. Si el problema de carga continúa, lleve la herramienta, unidad de batería y el cargador a su centro de servicio local.
4. La unidad de batería debería ser recargada cuando no sea capaz de producir suficiente potencia para trabajos que eran fácilmente realizados antes. NO CONTINÚE usándola bajo estas circunstancias. Siga el procedimiento de carga. También puede cargar una unidad de batería que haya sido usada parcialmente cuando lo desee, sin dañarla.
5. Los materiales ajenos conductores por naturaleza, tales como, pero sin limitarse a, el polvo del esmerilado, las virutas metálicas, la lana de acero, el papel de aluminio o cualquier acumulación de partículas metálicas deberían mantenerse alejados de las cavidades del cargador. Desenchufe siempre el cargador de la toma de corriente cuando no haya una unidad de batería en su cavidad. Desenchufe el cargador antes de intentar limpiarlo.
6. No congele ni sumerja el cargador en agua o cualquier otro líquido.

Instrucciones de Limpieza del Cargador



ADVERTENCIA: *Riesgo de descarga eléctrica. Desconecte el cargador del tomacorriente de CA antes de limpiarlo. Para limpiar la suciedad y grasa del exterior del cargador puede usarse un paño o cepillo suave no metálico. No use agua ni soluciones limpiadoras.*

Montaje en la Pared

Estos cargadores están diseñados para montarse en la pared o colocarse en posición vertical sobre una mesa o superficie de trabajo. Si lo monta en la pared, coloque el cargador al alcance de una toma de corriente eléctrica y alejado de las esquinas u otras obstrucciones que puedan impedir el flujo de aire. Utilice la parte de atrás del cargador como plantilla para la ubicación de los tornillos de montaje en la pared. Monte el cargador firmemente utilizando tornillos para muro seco (comprados por separado) de un mínimo de 25,4 mm (1") de largo, con una cabeza de un diámetro de 7-9 mm (0,28–0,35"), atornillados en madera

hasta una profundidad óptima dejando el tornillo expuesto aproximadamente 5,5 mm (7/32"). Alinee las ranuras en la parte trasera del cargador con los tornillos expuestos e introdúzcalos totalmente en las ranuras.

Versatrack

Los cargadores CRAFTSMAN pueden montarse en la pared con VersaTrack Trackwall de CRAFTSMAN. Los ganchos y accesorios se venden por separado. Consulte la hoja de accesorios VersaTrack Trackwall para obtener más información.

GUARDE ESTAS INSTRUCCIONES PARA VOLVER A CONSULTAR EN EL FUTURO

COMPONENTES (FIG. A)

Uso Debido

Esta taladro/destornillador está diseñada para aplicaciones profesional.

NO utilice la herramienta en condiciones de humedad o en presencia de líquidos o gases inflamables.

NO permita que los niños toquen la herramienta. Si el operador no tiene experiencia operando esta herramienta, su uso deberá ser supervisado.

OPERACIÓN



ADVERTENCIA: *Para reducir el riesgo de lesiones personales, apague la unidad y retire el paquete de batería antes de realizar cualquier ajuste o retirar/instalar conexiones o accesorios.*

Una activación de arranque accidental puede causar lesiones.

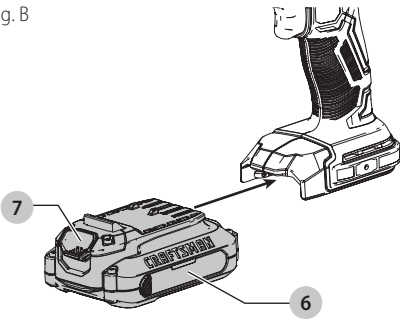
Cómo Instalar y Retirar la Unidad de Batería (Fig. B)

NOTA: Para mejores resultados, verifique que su unidad de batería esté completamente cargada.

Para instalar la unidad de batería **6** en el mango de la herramienta, alinee la unidad de batería con los rieles en el interior del mango de la herramienta y deslícela en el mango hasta que la unidad de batería quede firmemente insertada en la herramienta; verifique que ésta no se salga sola.

Para retirar la unidad de batería de la herramienta, presione el botón de liberación **7** y tire firmemente de la de batería para sacarla del mango de la herramienta. Insértela en el cargador tal como se describe en la sección del cargador de este manual.

Fig. B



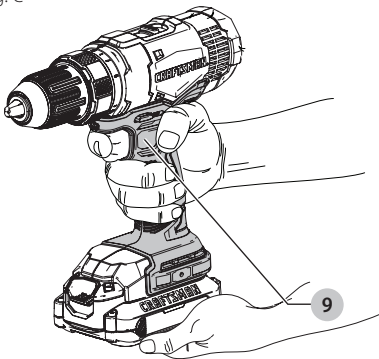
Posición Adecuada de las Manos (Fig. C)

⚠ ADVERTENCIA: Para reducir el riesgo de lesión personal grave, tenga **SIEMPRE** las manos en una posición adecuada como se muestra.

⚠ ADVERTENCIA: Para reducir el riesgo de lesión personal grave, sujete **SIEMPRE** bien en caso de que haya una reacción repentina.

Sostenga la herramienta firmemente con ambas manos para controlar la acción de giro del taladro. Si el modelo no está equipado con una manija lateral, sostenga el taladro con una mano sobre la manija principal 9 y una mano en el paquete de la batería.

Fig. C

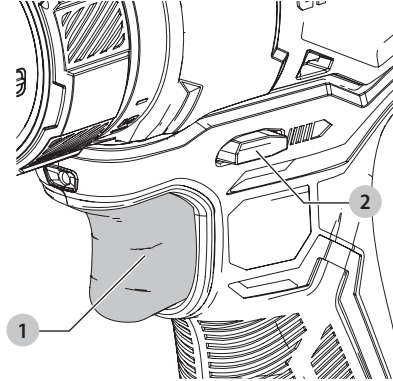


Interruptor Disparador y Botón de Avance/Reversa (Fig. D)

- El taladro se **ENCIENDE** y se **APAGA** tirando y liberando el interruptor disparador 1. Cuanto más se oprime al disparador, mayor será la velocidad del taladro.
- El botón de control de avance/reversa 2 determina la dirección de la herramienta y también sirve como botón de bloqueo.
- Para seleccionar la rotación de avance, suelte el interruptor disparador y oprima el botón de control de avance/reversa que se encuentra en el costado derecho de la herramienta.

- Para seleccionar la reversa, oprima el botón de control de avance/reversa que se encuentra en el costado izquierdo de la herramienta.
- La posición central del botón de control bloquea la herramienta en la posición de apagado. Al cambiar la posición del botón de control, asegúrese de que el disparador esté liberado.

Fig. D



Ajuste del Control de Torsión (Fig. A)

Esta herramienta viene equipada con un anillo de ajuste de torsión 3, para seleccionar el modo de operación y para configurar la torsión al ajustar los tornillos. Los tornillos grandes y las piezas de trabajo de material duro requieren un ajuste mayor de torsión que los tornillos pequeños y las piezas de trabajo de material blando.

Selector de Velocidad (Fig. E, F)

La característica de selector de velocidad de su herramienta permite cambiar velocidades para mayor versatilidad.

- Para seleccionar el ajuste de velocidad baja, torque alto (posición 1), apague la herramienta y permita que se detenga. Deslice el selector de velocidad 4 hacia el lado contrario del mandril.
- Para seleccionar el ajuste de velocidad alta, torque bajo (posición 2), apague la herramienta y permita que se detenga. Deslice el selector de velocidad hacia el mandril.

NOTA: No cambie velocidades cuando la herramienta esté operando. Si tiene problemas cambiando velocidades, asegúrese que el selector de velocidad esté completamente oprimido hacia el frente o completamente retraído.

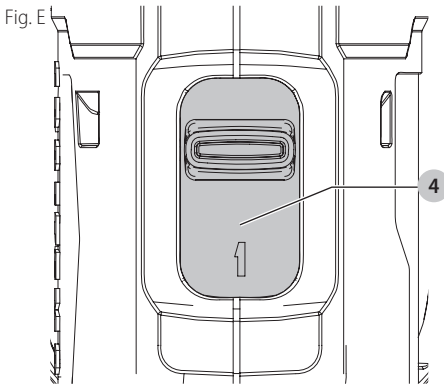
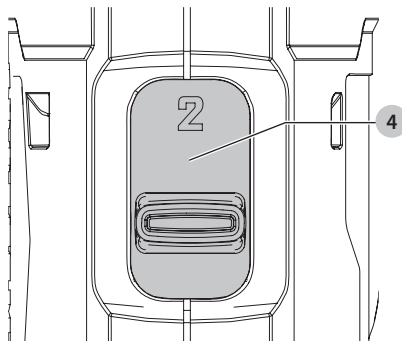


Fig. F



Luz de Trabajo de LED (Fig. A)

⚠ ATENCIÓN: No mire fijamente hacia la luz de trabajo. Podrían producirse lesiones oculares graves.

Cuando el taladro de perforación se activa tirando del interruptor disparador 1, la luz de trabajo LED 2 iluminará automáticamente el área de trabajo.

NOTA: La luz de trabajo sirve para iluminar la superficie de trabajo cercana y no fue diseñada para utilizarse como linterna.

Portabrocas sin Llave (Fig. G)

⚠ ADVERTENCIA: Asegúrese de que el botón de bloqueo esté activado para evitar el accionamiento del interruptor antes de instalar o extraer accesorios.

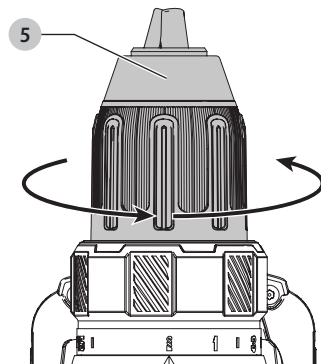
Para insertar una broca u otro accesorio:

1. Agarre el portabrocas 5 y gírelo en sentido contrario a las agujas del reloj, visto desde el extremo del portabrocas.
2. Inserte por completo la broca u otro accesorio en el portabrocas y, para asegurar, gire el portabrocas en el sentido de las agujas del reloj, visto desde el extremo del portabrocas.

⚠ ADVERTENCIA: No intente ajustar las brocas de taladro (o cualquier otro accesorio) tomando la parte del frente del mandril y encendiendo la herramienta.

Cuando cambia accesorios, el portabrocas se puede dañar y usted puede sufrir una lesión.

Fig. G



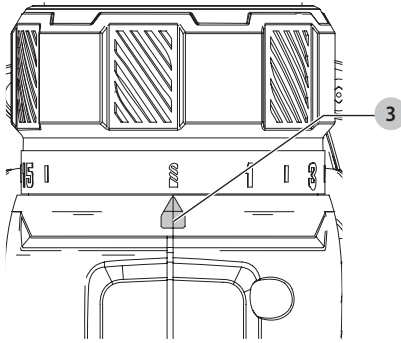
Taladrado (Fig. H)

AVISO: Si va a taladrar un material delgado, utilice un bloque de madera "de respaldo" para evitar dañarlo.

⚠ ADVERTENCIA: El taladro podría atascarse causando un giro repentino. Siempre espere el atascamiento. Tome el taladro firmemente para controlar la acción de giro y evitar lesiones.

1. Seleccione la velocidad/el par de torsión con el conmutador de velocidades para adecuar la velocidad y el par de torsión a la operación planeada. Rote el collarín 3 hasta que indique el símbolo de taladro.
2. Use solamente brocas para taladro afiladas.
3. Aplique siempre presión en línea recta con la broca. Utilice la presión suficiente para mantener la broca funcionando, pero no tanta como para ahogar el motor o leadear la broca.
4. Sostenga firmemente la herramienta con ambas manos para controlar la torsión del taladro. Si el modelo no está equipado con mango lateral, sujete el taladro con una mano en el mango y la otra sobre el paquete de baterías.
5. SI EL TALADRO SE ATASCA, probablemente se deba a una sobrecarga o al uso inadecuado de la herramienta. SUELTE EL DISPARADOR INMEDIATAMENTE, retire la broca de la pieza de trabajo, y determine la causa del atascamiento. NO OPRIMA EL DISPARADOR PARA INTENTAR DESTABAR EL TALADRO—PODRÍA DAÑARLO.
6. Para minimizar los atascamientos o las roturas del material, reduzca la presión y deje ir suavemente la broca hacia el final del orificio.
7. Mantenga el motor en funcionamiento cuando retire la broca de un orificio taladrado. Esto ayudará a prevenir atascamientos.

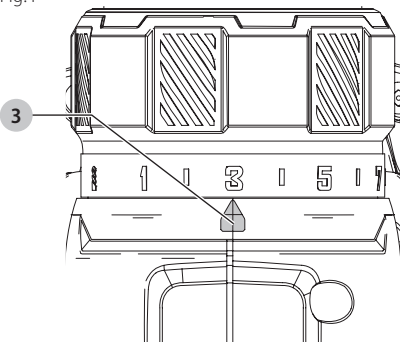
Fig. H



Destornillado (Fig. I)

1. Seleccione la velocidad/el par de torsión con el cambiador de velocidades para acoplar la velocidad y el par de torsión a la función planeada.
2. Gire el anillo de ajuste de torsión **3** hasta la posición deseada.
NOTA: Use el número de par de torsión mínimo requerido para atornillar el tornillo hasta la profundidad deseada. Mientras menor el número, menor será el par de torsión.
3. Inserte el accesorio de sujeción deseado en el portabrocas como lo haría con cualquier broca.
4. Practique su uso en material de desecho o en un lugar poco notorio de la pieza de trabajo para determinar la posición correcta del collarín de ajuste del par de torsión.
5. Comience siempre con configuraciones de torsión menores y vaya aumentando la torsión, para evitar daños a la pieza de trabajo o al sujetador.

Fig. I



MANTENIMIENTO

⚠ ADVERTENCIA: Para reducir el riesgo de lesiones personales, apague la unidad y retire el paquete de batería antes de realizar cualquier ajuste o retirar/instalar conexiones o accesorios.

Una activación de arranque accidental puede causar lesiones.

Accesorios

⚠ ADVERTENCIA: Debido a que no se han probado con este producto otros accesorios que no sean los que ofrece CRAFTSMAN, el uso de dichos accesorios con esta herramienta podría ser peligroso. Para reducir el riesgo de lesiones, con este producto deben usarse sólo los accesorios recomendados por CRAFTSMAN.

Los accesorios que se recomiendan para utilizar con la herramienta están disponibles a un costo adicional en su distribuidor local o en un centro de mantenimiento autorizado. Si necesita ayuda para localizar algún accesorio, póngase en contacto con Craftsman, llame al **1-888-331-4569**.

Versatrack™ (Fig. J)

⚠ ADVERTENCIA: Para reducir el riesgo de lesiones personales, apague la unidad y retire el paquete de batería antes de realizar cualquier ajuste o retirar/instalar conexiones o accesorios.

Una activación de arranque accidental puede causar lesiones.

⚠ ADVERTENCIA: Para reducir el riesgo de lesiones personales graves, no use un gancho para colgar Versatrack™ o Trackwall de Versatrack™ dañados. Un gancho para colgar Versatrack™ o Trackwall de Versatrack™ dañados no soportarán el peso de la herramienta.

⚠ ADVERTENCIA: Para reducir el riesgo de lesiones personales serias, asegúrese que el tornillo que sujeta el accesorio esté apretado firmemente.

⚠ ADVERTENCIA: Para reducir el riesgo de lesiones personales graves, NO suspenda la herramienta por encima ni cuelgue objetos del gancho. SÓLO suspenda la herramienta en el Trackwall de Versatrack™ con el gancho para colgar Versatrack™.

⚠ ADVERTENCIA: Asegúrese que el peso de la herramienta no exceda el peso máximo nominal para el gancho Versatrack™ seleccionado.

⚠ ADVERTENCIA: Cuando cuelgue objetos en la pared Versatrack™, espacie adecuadamente las herramientas para no exceder 35 kg (75 lbs) por pie lineal.

IMPORTANTE: Cuando conecte el gancho para colgar Versatrack™, sólo use el tornillo incluido. Asegúrese de apretar bien el tornillo. Los accesorios Versatrack™ montan herramientas compatibles con seguridad al sistema Trackwall de Versatrack™.

1. Apague la herramienta, retire los accesorios y retire el paquete de batería.

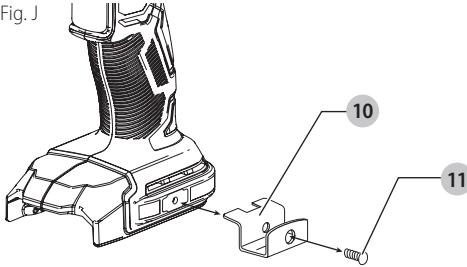
⚠ ATENCIÓN: Cualquier producto con dientes de corte expuestos debe tenerlos cubiertos de forma segura si va a estar en el Trackwall.

2. Conecte el gancho de colgar **10** a la herramienta.
 - a. Coloque el gancho de colgar Versatrack™ en la ubicación de montaje en la base de la herramienta.

- b. Use un destornillador para asegurar el gancho de colgar con el tornillo provisto. No use ningún otro tornillo **11** para esto.

NOTA: Los accesorios Versatrack™ para uso con su herramienta están disponibles por un costo adicional a partir de su distribuidor local o centro de servicio autorizado. Si necesita ayuda para encontrar cualquier accesorio, comuníquese con CRAFTSMAN, llame al **1-888-331-4569**.

Fig. J



ADVERTENCIA: Para reducir el riesgo de lesión corporal grave, verifique que el tornillo que sujeta el gancho para cinturón esté ajustado.

IMPORTANTE: Al añadir o reemplazar el gancho para cinturón, utilice solamente el tornillo **11** que se suministra. Cerciérese de apretar firmemente el tornillo.

El gancho para cinturón puede ser adosado a cualquier lado de la herramienta utilizando solamente el tornillo **11** provisto, para adaptarse a usuarios zurdos o derechos. Si nunca va a necesitar el gancho, puede extraerlo de la herramienta.

Para mover el gancho para cinturón al otro lado, quite el tornillo que sostiene el gancho para cinturón en su lugar y vuélvalo a ensamblar en el otro lado. Asegúrese de ajustar bien el tornillo.

Gancho para Cinturón (Fig. J)

Accesorio Opcional

ADVERTENCIA: Para reducir el riesgo de lesiones corporales graves, coloque el botón de avance y reversa en la posición de bloqueo, o apague la herramienta y desconecte la unidad de batería antes de realizar cualesquier ajustes o quitar o instalar aditamentos o accesorios. Un arranque accidental podría causar lesiones.

ADVERTENCIA: Para reducir el riesgo de lesiones graves, **SOLO** use el gancho para cinturón de la herramienta para colgar la herramienta de un cinturón de trabajo. **NO** use el gancho para cinturón para colgar o sujetar la herramienta a una persona u objeto durante el uso. **NO** suspenda la herramienta de objetos en altura ni suspenda objetos del gancho para cinturón.

Limpieza



ADVERTENCIA: Sople la suciedad y el polvo de todos los conductos de ventilación con aire seco, al menos una vez por semana. Para reducir el riesgo de lesiones, utilice siempre protección para los ojos aprobada ANSI Z87.1 al realizar esta tarea.



ADVERTENCIA: Nunca utilice solventes ni otros químicos abrasivos para limpiar las piezas no metálicas de la hereto -30.amienta. Estos productos químicos pueden debilitar los materiales plásticos utilizados en estas piezas. Utilice un paño humedecido sólo con agua y jabón neutro. Nunca permita que penetre líquido dentro de la herramienta ni sumerja ninguna de las piezas en un líquido.

Reparaciones

El Cargador y las unidades de batería no pueden ser reparados. El cargador y la unidad de batería no contienen piezas reparables.



ADVERTENCIA: Para asegurar la SEGURIDAD y la CONFIABILIDAD del producto, las reparaciones, el mantenimiento y los ajustes (inclusive la inspección y el cambio de las escobillas, cuando proceda) deben ser realizados en un centro de mantenimiento en la fábrica CRAFTSMAN u en un centro de mantenimiento autorizado CRAFTSMAN. Utilice siempre piezas de repuesto idénticas.

Para reparación y servicio de sus herramientas eléctricas, favor de dirigirse al Centro de Servicio más cercano

CULIACAN, SIN

Bldv. Emiliano Zapata 5400-1 Poniente Col. (667) 717 89 99
San Rafael

GUADALAJARA, JAL

Av. La Paz #1779 - Col. Americana Sector (33) 3825 6978
Juárez

MEXICO, D.F.

Eje Central Lázaro Cárdenas No. 18 - Local (55) 5588 9377
D, Col. Obrera

MERIDA, YUC

Calle 63 #459-A - Col. Centro (999) 928 5038

MONTERREY, N.L.

Av. Francisco I. Madero 831 Poniente - Col. (818) 375 23 13
Centro

PUEBLA, PUE

17 Norte #205 - Col. Centro (222) 246 3714

QUERETARO, QRO

Av. San Roque 274 - Col. San Gregorio (442) 2 17 63 14

SAN LUIS POTOSI, SLP

Av. Universidad 1525 - Col. San Luis (444) 814 2383

TORREON, COAH

Bldv. Independencia, 96 Pte. - Col. Centro (871) 716 5265

ESPAÑOL

VERACRUZ, VER

Prolongación Díaz Mirón #4280 - Col. Remes (229) 921 7016

VILLAHERMOSA, TAB

Constitución 516-A - Col. Centro (993) 312 5111

PARA OTRAS LOCALIDADES:

Si se encuentra en México, por favor llame al (55) 5326 7100

Si se encuentra en U.S., por favor llame al 1-888-331-4569

Póliza de Garantía

IDENTIFICACIÓN DEL PRODUCTO:

Sello o firma del Distribuidor.

Nombre del producto: _____

Mod./Cat.: _____

Marca: _____

Núm. de serie: _____

(Datos para ser llenados por el distribuidor)

Fecha de compra y/o entrega del producto:

Nombre y domicilio del distribuidor donde se adquirió el producto:

Este producto está garantizado por un año a partir de la fecha de entrega, contra cualquier defecto en su funcionamiento, así como en materiales y mano de obra empleados para su fabricación. Nuestra garantía incluye la reparación o reposición del producto y/o componentes sin cargo alguno para el cliente, incluyendo mano de obra, así como los gastos de transportación razonablemente erogados derivados del cumplimiento de este certificado. Para hacer efectiva esta garantía deberá presentar su herramienta y esta póliza sellada por el establecimiento comercial donde se adquirió el producto, de no contar con ésta, bastará la factura de compra.

Excepciones

Esta garantía no será válida en los siguientes casos:

- Cuando el producto se hubiese utilizado en condiciones distintas a las normales;
- Cuando el producto no hubiese sido operado de acuerdo con el instructivo de uso que se acompaña;
- Cuando el producto hubiese sido alterado o reparado por personas distintas a las enlistadas al final de este certificado.

Anexo encontrará una relación de sucursales de servicio de fábrica, centros de servicio autorizados y franquiciados en la República Mexicana, donde podrá hacer efectiva su garantía y adquirir partes, refacciones y accesorios originales.

Solamente para propósito de México:

Importado por: Craftsman. Tool Co. S.A. de C.V.
Avenida Antonio Dovali Jaime, # 70 Torre B Piso 9

Colonia La Fe, Santa Fé

Código Postal : 01210

Delegación Alvaro Obregón

México D.F.

Tel. (52) 555-326-7100

R.F.C.: BDE810626-1W7

Registro en Línea

Gracias por su compra. Registre su producto ahora para:

- **SERVICIO EN GARANTÍA:** Si completa esta tarjeta, podrá obtener un servicio en garantía más eficiente, en caso de que exista un problema con su producto.
- **CONFIRMACIÓN DE PROPIEDAD:** En caso de una pérdida que cubra el seguro, como un incendio, una inundación o un robo, el registro de propiedad servirá como comprobante de compra.
- **PARA SU SEGURIDAD:** Si registra el producto, podremos comunicarnos con usted en el caso improbable que se deba enviar una notificación de seguridad conforme a la Federal Consumer Safety Act (Ley Federal de Seguridad de Productos para el Consumidor).

Registro en línea en www.craftsman.com/registration.

Garantía Limitada por Tres Años

CRAFTSMAN reparará o reemplazará, sin cargo, cualquier defecto debido a materiales o mano de obra defectuosos por tres años desde la fecha de compra (dos años para las baterías). Esta garantía no cubre falla de partes debido al desgaste normal o abuso de la herramienta. Para detalles adicionales de la cobertura de la garantía e información de reparación de garantía, visite www.craftsman.com o llame al **1-888-331-4569**. Esta garantía no se aplica a accesorios o daño causado cuando otros hayan realizado o intentado reparaciones. ESTA GARANTÍA LIMITADA SE OTORGA EN LUGAR DE TODAS LAS DEMÁS, INCLUIDA LA GARANTÍA IMPLÍCITA DE COMERCIABILIDAD E IDONEIDAD PARA UN PROPÓSITO EN PARTICULAR, Y EXCLUYE TODOS LOS DAÑOS INCIDENTALES O EN CONSECUENCIA. Algunos estados no permiten limitaciones sobre la duración de una garantía implícita o la exclusión o limitación de daños incidentales o en consecuencia, por lo que estas limitaciones pueden no aplicarse en su caso. Esta garantía le da derechos legales específicos y puede tener otros derechos que varían en ciertos estados o provincias..

2 AÑOS DE SERVICIO GRATUITO PARA UNIDADES DE ALIMENTACIÓN CRAFTSMAN

CMCB201, CMCB2011

3 AÑOS DE SERVICIO GRATUITO PARA UNIDADES DE ALIMENTACIÓN CRAFTSMAN

CMCB202, CMCB204

NOTA: La garantía del producto quedará nula si la unidad de batería ha sido alterada de cualquier manera. CRAFTSMAN no es responsable de ninguna lesión causada

por alteraciones y podría iniciar un procedimiento judicial por fraude de garantía hasta el máximo grado permisible por la ley.

GARANTÍA DE REEMBOLSO DE SU DINERO POR 90 DÍAS

Si no está completamente satisfecho con el desempeño de su máquina herramienta o clavadora CRAFTSMAN, cualquiera sea el motivo, podrá devolverlo hasta 90 días de la fecha de compra con su recibo y obtener el reembolso completo de su dinero – sin necesidad de responder a ninguna pregunta.

AMÉRICA LATINA: Esta garantía no se aplica a los productos que se venden en América Latina. Para los productos que se venden en América Latina, debe consultar la información de la garantía específica del país que viene en el empaque, llamar a la compañía local o visitar el sitio Web a fin de obtener esa información.

REEMPLAZO GRATUITO DE LAS ETIQUETAS DE

ADVERTENCIAS: Si sus etiquetas de advertencia se vuelven ilegibles o faltan, llame al **1-888-331-4569** para que se le reemplacen gratuitamente.

CRAFTSMAN BATTERY AND CHARGER SYSTEMS

Battery Cat #	Output Voltage	Chargers . Chargeurs . Cargadores de baterías		
		CMCB100	CMCB102	CMCB104
CMCB201	20	C	C	C
CMCB2011	20	C	C	C
CMCB202	20	C	C	C
CMCB204	20	C	C	C

"C" Indicates that the battery pack is compatible with that specific charger. Read the instruction manual for more specific information.

"C" indique que le bloc-piles est compatible avec ce chargeur. Lire le manuel d'utilisation pour obtenir des renseignements plus précis.

Una "C" indica que el paquete de baterías es compatible con ese determinado cargador. Lea el manual de instrucciones para obtener información más precisa.

** Maximum initial battery voltage (measured without a workload) is 20 volts. Nominal voltage is 18.*

** La tension initiale maximum du bloc-piles (mesurée à vide) est de 20 volts. La tension nominale est de 18.*

** El máximo voltaje inicial de la batería (medido sin carga de trabajo) es 20 voltios. El voltaje nominal es de 18.*