

CRAFTSMAN®

INSTRUCTION MANUAL | GUIDE D'UTILISATION | MANUAL DE INSTRUCCIONES

1/2-in 400-ft-lb Impact Wrench

Clé à chocs de 1/2 po et de 400 lb-pi

Llave de percusión de 1/2 pulg. y 55,3 kgf-m

CMXPTSG1004NB



IF YOU HAVE QUESTIONS OR COMMENTS, CONTACT US.
POUR TOUTE QUESTION OU TOUT COMMENTAIRE, NOUS CONTACTER.
SI TIENE DUDAS O COMENTARIOS, CONTÁCTENOS.

1-888-331-4569

WWW.CRAFTSMAN.COM

Definitions: Safety Alert Symbols and Words

This instruction manual uses the following safety alert symbols and words to alert you to hazardous situations and your risk of personal injury or property damage.

! **DANGER:** Indicates an imminently hazardous situation which, if not avoided, **will** result in **death or serious injury**.

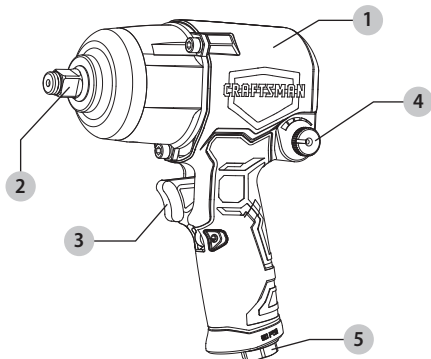
! **WARNING:** Indicates a potentially hazardous situation which, if not avoided, **could** result in **death or serious injury**.

! **CAUTION:** Indicates a potentially hazardous situation which, if not avoided, **may** result in **minor or moderate injury**.

! (Used without word) Indicates a safety related message.

NOTICE: Indicates a practice **not related to personal injury** which, if not avoided, **may** result in **property damage**.

Fig. A



Components

- 1 1/2 in. Impact Wrench
- 2 Anvil
- 3 Trigger
- 4 Torque Setting Switch
- 5 Air Inlet

! **WARNING:** Read all safety warnings and all instructions. Failure to follow the warnings and instructions may result in electric shock, fire and/or serious injury.

! **WARNING:** Never modify the product or any part of it. Damage or personal injury could result.

! **WARNING:** To reduce the risk of injury, read the instruction manual.

If you have any questions or comments about this or any product, call CRAFTSMAN toll free at: 1-888-331-4569.

1/2-in 400-ft-lb Impact Wrench

CMXPTSG1004NB

Compressor requirements



Tool Requirements
Exigences relatives aux outils
Requisitos de herramientas

IMPORTANT: To operate correctly, this tool requires airflow of at least 5 Standard Cubic Feet per Minute (SCFM) at 90 Pounds per Square Inch (PSI) at the tool. The air hose length could affect how much air pressure the tool is actually receiving. You may need to adjust the air pressure higher on the air regulator to achieve the working pressure of 90 PSI.

Specifications

Model	CMXPTSG1004NB
Drive	1/2" (12.7 mm)
Free Speed	10,000 rpm
Maximum Torque	400 ft.-lbs.
Average Air Consumption	5 scfm
Air Inlet	1/4" npt
Air Hose	3/8" (9.53 mm)
Working Pressure	90 psi

WARNING: *Improper operation or maintenance of this tool could result in serious injury and property damage. Read and understand all warnings and operation instructions before using this tool. When using any tool, basic safety precautions should always be followed to reduce the risk of personal injury. Anticipate and be alert for sudden changes in motion during startup and operation of any power tool. Do not operate tool if trigger does not turn the tool on or off. Do not use this tool at heights exceeding 6 feet (2m). Use each tool for its intended function only. Do not use this product in unsafe work conditions. It is always recommended to keep a fire extinguisher and first aid kit near work areas.*

WARNING: *User must also read the compressor manual and follow all compressor safety instructions*

WARNING: *Failure to observe and follow safety instructions could result in injury or death.*

SAVE ALL WARNINGS AND INSTRUCTIONS FOR FUTURE REFERENCE

⚠ WARNING RISK OF EYE OR HEAD INJURY

What can happen

This air powered tool is capable of propelling materials such as fasteners, metal chips, and other debris at high speed which could result in serious injury.

Compressed air can be hazardous, propelling objects or particles that can cause injury into soft tissues such as eyes and ears.

Tool attachments can become loose or break and fly apart, becoming projectiles or propelling other objects at the operator or bystanders in the work area.

How to prevent it

Always wear ANSI approved Z87.1 safety glasses.

Never leave operating tool unattended.

Disconnect tool from air supply when tool is not in use or when changing accessories to prevent accidental operation.

For additional protection, use an approved face shield in addition to safety glasses.

Do not use sockets with excessive wear to the input or output drives. Periodically check the square drive on the impact wrench. Make sure the socket, extension bar, or other attachment is securely fitted before operating tool.

⚠ WARNING RISK OF LOSS OF HEARING

What can happen

Exposure to noise produced by air tools can lead to permanent hearing loss.

How to prevent it

Always wear ANSI S3.19 hearing protection.

⚠ WARNING RISK OF FIRE OR EXPLOSION

What can happen

This tool is capable of generating sparks, which can result in ignition of flammable materials.

How to prevent it

Never operate tools near flammable substances such as gasoline, naphtha, cleaning solvents, etc.

Work in a clean, well-ventilated area free of combustible materials.

Never use oxygen, carbon dioxide or other bottled gases as a power source for air tools.

⚠ WARNING *RISK OF ENTANGLEMENT***What can happen**

Loose hair, clothing, jewelry or other loose objects can become entangled in the moving elements of this tool and can cause serious injury.

How to prevent it

Do not wear loose clothing, jewelry, or anything that may get caught or tangled when using tool.

Remove any jewelry which may be caught by the tool.

Always keep hands and body parts away from moving parts.

Always wear properly fitted clothing and other properly fitted safety equipment when using this tool.

⚠ WARNING *RISK OF CUTS OR BURNS OR HAND ENTRAPMENT***What can happen**

This tool is capable of causing serious injury if operated improperly, or in a manner for which the tool is not intended.

How to prevent it

Keep the working part of the tool away from hands and body.

Understand the tool's limitations.

Read and understand instruction manual.

Accessories can become extremely hot through friction where they contact the workpiece.

Make sure hands are kept away from sockets/accessories during tool use.

High torque and speed from the tool can cause hand entrapment.

When loosening fasteners first ensure that there is sufficient clearance behind the tool to avoid hand entrapment. The tool will move away from the threaded joint as the nut/bolt is loosened and rides up the thread, moving the tool with it.

⚠ WARNING *RISK OF ELECTRIC SHOCK***What can happen**

This tool is not provided with an insulated gripping surface. Contact with a "live" wire will also make exposed metal parts of the tool "live" and can result in electrical shock, electrocution or death.

How to prevent it

Never use air tools where they may come in contact with energized electrical wiring.

Air tool accessories such as impact sockets that come into contact with hidden electrical wiring could cause electrocution or death.

Thoroughly investigate workpieces and work areas for possible hidden wiring before performing work.

⚠ WARNING RISK OF PERSONAL INJURY

What can happen	How to prevent it
A tool left unattended or with the air hose attached can be activated by unauthorized persons leading to their injury or injury to others.	Remove air hose when the tool is not in use and store tool in a secure location away from reach of children and untrained users.
Air tools can propel fasteners or other materials throughout the work area.	Use only parts, fasteners and accessories recommended by the manufacturer.
	Keep work area clean and free of clutter.
	Do not allow children to operate tool, and keep children away from the work area.
	Keep work area well lit.
	Securely fit the socket or attachment to the impact wrench. Inspect anvil and retaining ring of tool prior to use. Missing or damaged items should be replaced before use.
	Keep bystanders a safe distance away from work area. Anyone entering the work area must wear personal protective equipment.
Air tools can become activated by accident during maintenance or tool changes.	Fragments of workpiece or of a broken accessory may fly away and cause injury beyond immediate area of operation.
	Disconnect the tool from the air supply during accessory changes, tool changes, maintenance or repair.
	Never carry the tool by the air hose.
	To avoid unintentional operation, never carry the tool with the trigger depressed or engaged.
Air tools can cause the workpiece to move upon contact, leading to injury.	Only an authorized service representative should service the tool.
	Always make sure the workpiece is secure. Use clamps or other devices to prevent movement.
	Loss of control of the tool can lead to operator injury or injury to others in the work area.
Loss of control of the tool can lead to operator injury or injury to others in the work area.	Before changing accessories, making repairs, or when tool is not in use, shut off the air supply and release/drain air pressure from hose.
	Disconnect tool from air supply and store in a safe location.
	Never use the tool while using medications, drugs or alcohol.

ENGLISH

Loss of control of the tool can lead to operator injury or injury to others in the work area.	Keep proper footing at all times when handling tools. Slipping, tripping falling or over reaching are major causes of serious injury and/or death.
	Keep tool handles dry, clean and free from oil/grease.
	Stay alert. Use common sense. Do not operate tools when you are tired.
There is a risk of bursting if the tool is damaged.	Follow lubrication instructions for best and safest operation.
	Follow instructions on how to properly change accessories.
Poor quality, improper or damaged attachments can detach or fly apart during operation, sending projectiles through the work area and causing serious injury.	Always use tool attachments rated for the speed of the power tool.
	Never use tools, which have been dropped, impacted, or are damaged.
	Do not apply excessive force to the tool; let the tool perform the work.
	Never use a tool that is leaking air, has missing or damaged parts, or requires repairs.
	Always follow assembly, operation, maintenance instructions.
Improperly maintained tools and accessories can cause serious injury.	Do not use damaged, frayed or deteriorated air hoses and/or fittings.
	Maintain the tool and accessories with care.
	Keep tools clean and properly oiled for best and safest performance.
	Do not lubricate tools with flammable or volatile liquids such as kerosene, diesel or jet fuel.
Using an accessory not intended for a specific tool increases the risk of injury to the operator and everyone else in the work area.	Always use accessories and attachments designed for the tool and the work at hand.
	Do not improvise or modify tools or accessories.
Repetitive motions, awkward positions and exposure to vibration can be harmful to hands and arms.	Discontinue use of tool if discomfort, tingling feeling or pain occurs.
	Consult a physician before resuming use if any of these symptoms occur.

Do not remove any labels – replace any damaged label.

FREE WARNING LABEL REPLACEMENT: If your warning labels become illegible or are missing, call **1-888-331-4569** for a free replacement.

PREPARATION

Before assembling this tool, make sure all parts are present. Compare parts with package contents list. If any part is missing or damaged, do not attempt to assemble the tool.

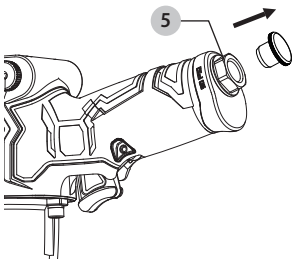
Estimated Assembly Time: 1 – 3 minutes

Tools and Materials Required for Assembly (not included):

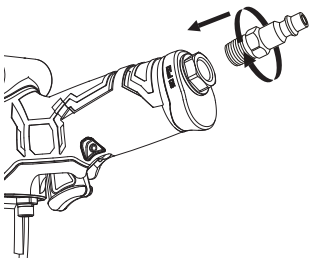
- 9/16 in. (14 mm) or adjustable wrench
- Thread sealant tape
- Tool oil
- Male plug

ASSEMBLY

1. Remove plastic air inlet protective cap from air inlet **5**.



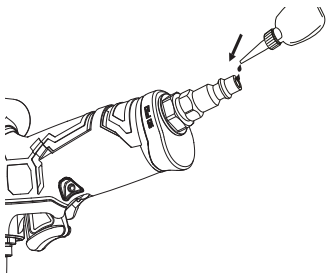
2. Tighten male plug (not included), turning clockwise with a wrench (not included) for air tight connection. DO NOT OVERTIGHTEN.



NOTICE: Use threaded sealant tape (not included) on the threading of the male plug.

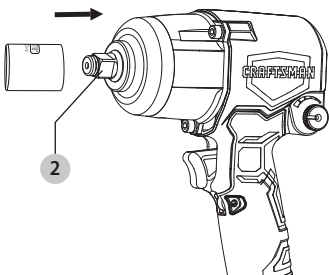
ENGLISH

3. Place 2 – 3 drops of air tool oil (not included) into the opening of the male air plug before each use.



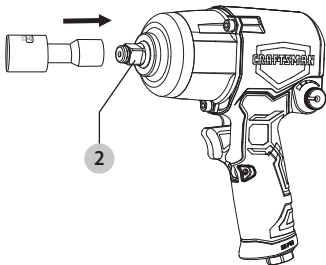
4. Select the correct impact socket (not included) and mount it onto the anvil **2** until it clicks into place.

⚠ WARNING: Use only adapters and sockets made for use with impact guns. Always make sure adapters and sockets are properly mounted and secure before using the tool. Loose attachments can break or fly off, causing serious injury to the operator or bystanders in the work area. Always follow all manufacturers' specifications for proper attachment and use.



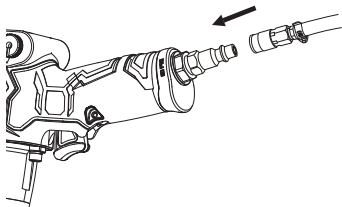
5. For a longer reach, mount the socket onto the end of an extension bar (not provided) and then mount the extension bar onto the anvil **2**.

NOTICE: Make sure the socket and extension bar are securely fastened before operating the tool.



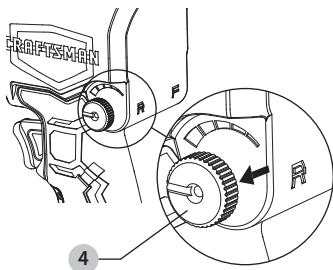
6. Connect the air supply hose to the male air plug, making sure it is completely seated and secure. Set the working pressure at 90 PSI for best tool performance.

NOTICE: Working pressure is the amount of air pressure the tool sees when operating.



OPERATING

1. To operate the tool in the forward direction, push the torque setting switch **4** to the left.

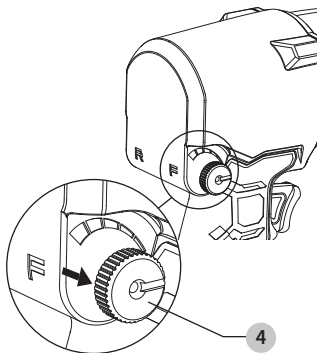


2. To operate the tool in the reverse direction, push the torque setting switch **4** to the right.

This tool has 5 forward and 5 reverse torque settings with the maximum torque being in the reverse direction.

To select a torque setting in the forward direction, make sure the torque setting switch **4** is pushed in all the way to the left.

To select a torque setting in the reverse direction, make sure the torque setting switch **4** is pushed in all the way to the right.

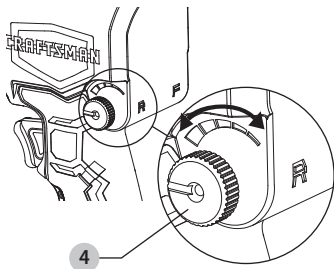


ENGLISH

3. The torque indicator goes from low to high.

The smaller the rectangle, the lower the torque; the larger the rectangle, the higher the torque.

Turn the torque setting switch **4** either clockwise or counterclockwise and align the groove in the knob to the desired torque settings.



MAINTENANCE

! **WARNING:** ALWAYS DISCONNECT TOOL FROM THE AIR SUPPLY BEFORE PERFORMING ANY MAINTENANCE ON THE TOOL.

! **WARNING:** Always make sure the tool is properly lubricated during operation. Proper lubrication is shown in this instruction manual.

An in-line oiler (not included) is recommended to help increase tool life and keep the tool properly lubricated. The in-line oiler should be regularly checked and filled with air tool oil as needed. Proper adjustment of the in-line oiler can be performed by placing a sheet of paper next to the tool's exhaust ports while holding the throttle completely open for 30 seconds. When a light stain of oil collects on the paper, the oiler is properly adjusted. Excessive amounts of oil should be avoided.

Recommended lubricants: air-tool oil or any other high grade turbine oil containing moisture absorbent, rust inhibitors, metal wetting agents and an EP (Extreme Pressure) additive. Consult your local retailer for further assistance in selecting air tool oil best suited for proper lubrication.

Cleaning

! **WARNING:** Blow dirt and dust out of all air vents with clean, dry air at least once a week. To minimize the risk of eye injury, always wear ANSI Z87.1 approved eye protection when performing this.

! **WARNING:** Never use solvents or other harsh chemicals for cleaning the non-metallic parts of the tool. These chemicals may weaken the plastic materials used in these parts. Use a cloth dampened only with water and mild soap. Never let any liquid get inside the tool; never immerse any part of the tool into a liquid.

Repairs



WARNING: To assure product SAFETY and RELIABILITY, repairs, maintenance should be performed by a CRAFTSMAN factory service center or a CRAFTSMAN authorized service center. Always use identical replacement parts.

Accessories



WARNING: Since accessories, other than those offered by CRAFTSMAN, have not been tested with this product, use of such accessories with this tool could be hazardous. To reduce the risk of injury, only CRAFTSMAN recommended accessories should be used with this product.

Recommended accessories for use with your tool are available at extra cost from your local dealer or authorized service center. If you need assistance in locating any accessory, please visit **CRAFTSMAN.COM** or call **1-888-331-4569**.

Storage

Before you store the tool, make sure you do the following:

1. Review the **Maintenance** section on the preceding pages and perform scheduled maintenance as necessary.
2. Tool must be well cleaned and lightly lubricated before storing.
3. Store the tool in a dry, safe place out of the reach of children.

Register Online

Thank you for your purchase. Register your product now for:

- **WARRANTY SERVICE:** Registering your product will help you obtain more efficient warranty service in case there is a problem with your product.
- **CONFIRMATION OF OWNERSHIP:** In case of an insurance loss, such as fire, flood or theft, your registration of ownership will serve as your proof of purchase.
- **FOR YOUR SAFETY:** Registering your product will allow us to contact you in the unlikely event a safety notification is required under the Federal Consumer Safety Act.

Register online at **www.craftsman.com/registration**

TROUBLESHOOTING



WARNING: If the tool runs slowly or will not operate, check these possible problems and take the required corrective action:

PROBLEM	CAUSE	CORRECTION
Tool runs slowly or will not operate.	Grit or gum in tool.	Flush the tool with air-tool oil or gum solvent.
Tool runs slowly or will not operate.	No oil in tool.	Lubricate the tool.
Tool runs slowly or will not operate.	Low air pressure.	Adjust the regulator on the tool to the maximum setting. Adjust the compressor regulator to tool maximum of 90 PSI. NOTE: Air hoses may cause up to 15 PSI loss in pressure, so you may need to set a higher compressor output to maintain the required pressure at the tool.
Tool runs slowly or will not operate.	Air hose leaks.	Tighten and seal hose fittings if leaks are found. Use sealing tape.
Tool runs slowly or will not operate.	Low air pressure.	Be sure the hose is the proper size. Long hoses or tools using large volumes of air may require an internal diameter of 1/2 in. I.D. or larger, depending on total hose length. Do not use multiple hoses connected together with quick-connect fittings. This causes additional loss of pressure and reduces the tool power. Use single hoses of the proper length.
Tool runs slowly or will not operate.	Worn rotor blade.	Replace rotor blade.
Tool runs slowly or will not operate.	Moisture blowing out of tool exhaust.	Water in compressor tank; drain tank (See air compressor manual). Oil the tool and run until no water is evident. Oil the tool again and run 1 – 2 seconds.

Three Year Limited Warranty

CRAFTSMAN will repair or replace, without charge, any defects due to faulty materials or workmanship for three years from the date of purchase (two years for batteries). This warranty does not cover part failure due to normal wear or tool abuse. For further detail of warranty coverage and warranty repair information, visit www.craftsman.com or call **1-888-331-4569**. This warranty does not apply to accessories or damage caused where repairs have been made or attempted by others. THIS LIMITED WARRANTY IS GIVEN IN LIEU OF ALL OTHERS, INCLUDING THE IMPLIED WARRANTY OF MERCHANTABILITY AND FITNESS FOR A PARTICULAR PURPOSE, AND EXCLUDES ALL INCIDENTAL OR CONSEQUENTIAL DAMAGES. Some states do not allow limitations on how long an implied warranty lasts or the exclusion or limitation of incidental or consequential damages, so these limitations may not apply to you. This warranty gives you specific legal rights and you may have other rights which vary in certain states or provinces.

90 DAY MONEY BACK GUARANTEE

If you are not completely satisfied with the performance of your CRAFTSMAN Power Tool, Laser, or Nailer for any reason, you can return it within 90 days from the date of purchase with a receipt for a full refund – no questions asked.

LATIN AMERICA: This warranty does not apply to products sold in Latin America. For products sold in Latin America, see country specific warranty information contained in the packaging, call the local company or see website for warranty information.

CRAFTSMAN®

is a registered trademark of Stanley Black & Decker, Inc., used under license.
est une marque déposée de Stanley Black & Decker, Inc., utilisée sous licence.
es una marca registrada de Stanley Black & Decker, Inc., utilizada bajo licencia.

© 2019 CRAFTSMAN

Product Manufactured by: SHINING GOLDEN YIDA

Produit fabriqué par: SHINING GOLDEN YIDA

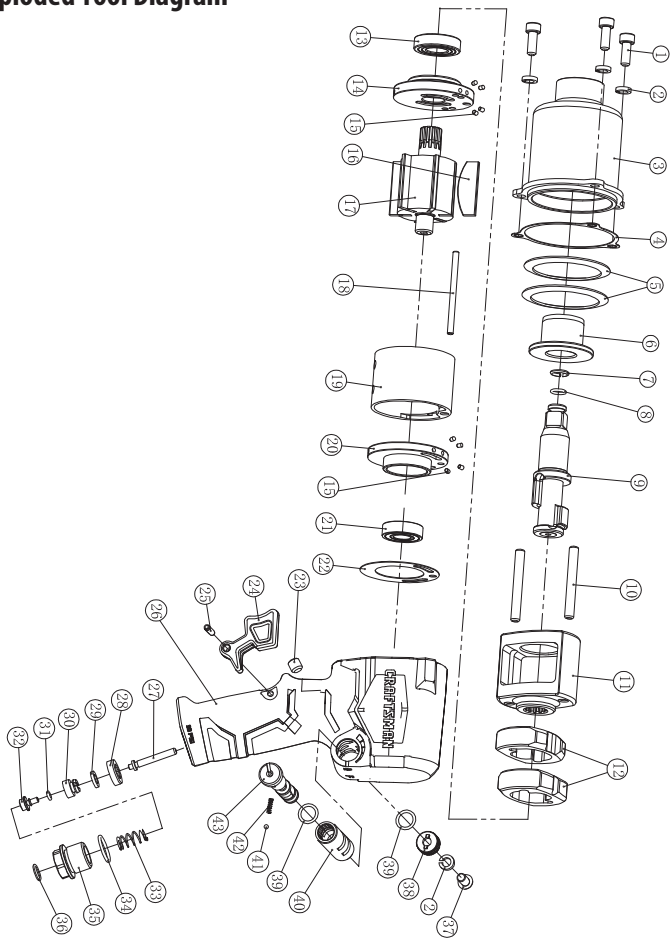
Producto fabricado por: SHINING GOLDEN YIDA

LICENSEE NAME: SHINING GOLDEN YIDA

LICENSEE ADDRESS: PO BOX 6564 AKRON, OH 44312

U.S. & Canada Only • É.-U. et Canada seulement • EE.UU. y Canadá únicamente

Exploded Tool Diagram



Parts List

Part	Description	Qty	Part	Description	Qty	Part	Description	Qty
1	Screws	3	16	Rotor Blade	6	31	O-ring	1
2	Lock Washer	4	17	Rotor	1	32	Bottom Intake Valve	1
3	Front Cover	1	18	Alignment Pin	1	33	Spring	1
4	Gasket	1	19	Cylinder	1	34	O-ring	1
5	Spacer	2	20	B-Cap	1	35	Air Inlet Connector	1
6	Anvil Bushing	1	21	Ball Bearing (B-Cap)	1	36	Metal Filter	1
7	Retaining Ring	1	22	Gasket	1	37	Screw	2
8	O-ring	1	23	Set Screw	1	38	Forward / Reverse / Speed Adjustment Nut	1
9	Anvil	1	24	Trigger	1	39	O-ring	2
10	Hammer Pin	2	25	Trigger Pin	1	40	Air Bushing	1
11	Hammer Cage	1	26	Housing	1	41	Ball Bearing	2
12	Hammer	2	27	Air Inlet Pin	1	42	Spring	1
13	Bearing	1	28	Intake Washer	1	43	Forward / Reverse / Speed Adjustment	1
14	A-Cap	1	29	Seal	1			
15	Pin	8	30	Top Intake Valve	1			

Replacement Kits

Part	Kit Number	Kit Description
1	K33001-CMX	Screws, Lock Washers, Front Cover, Gasket
2	K33001-CMX	Screws, Lock Washers, Front Cover, Gasket
3	K33001-CMX	Screws, Lock Washers, Front Cover, Gasket
4	K33001-CMX	Screws, Lock Washers, Front Cover, Gasket
7	K11002-CMX	Retainer Ring, O-ring
8	K11002-CMX	Retainer Ring, O-ring
9	K33003-CMX	Anvil, Hammer Pins, Hammers, Gasket
10	K33003-CMX	Anvil, Hammer Pins, Hammers, Gasket
12	K33003-CMX	Anvil, Hammer Pins, Hammers, Gasket
14	K33004-CMX	Gasket, Blades

Définitions : symboles et termes de sécurité

Le présent manuel d'instructions comporte des symboles et des termes de sécurité visant à vous informer qu'une situation peut s'avérer dangereuse et que des risques de blessures ou de dommages matériels peuvent être présents.





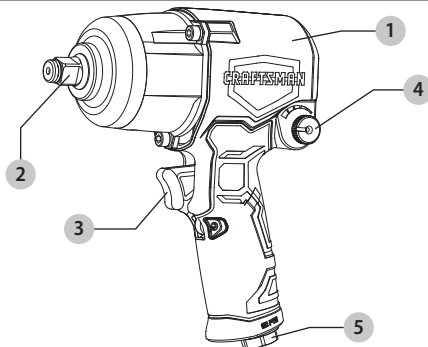
-  **DANGER** : Indique un danger imminent qui, s'il n'est pas évité, peut causer des blessures graves ou la mort.
 -  **AVERTISSEMENT** : Indique une situation potentiellement dangereuse qui, si elle n'est pas évitée, pourrait entraîner la mort ou des blessures graves.
 -  **ATTENTION** : Indique un risque potentiel qui, s'il n'est pas éliminé, pourrait provoquer des blessures mineures ou moyennement graves.
 -  (Utilisé sans explication) Indique un message relatif à la sécurité.
- AVIS** : Indique une pratique ne posant aucun risque de blessure qui, si elle n'est pas évitée, peut entraîner des dommages matériels.

Fig. A



Composants

- 1 Clé à chocs de 1/2 po
- 2 Enclume
- 3 Gâchette
- 4 Bouton de réglage du couple
- 5 Entrée d'air

 **AVERTISSEMENT** : Lisez tous les avertissements et toutes les instructions. Le non-respect des avertissements et des instructions peut entraîner un choc électrique, un incendie ou des blessures graves.

 **AVERTISSEMENT** : Ne modifiez jamais l'article ou l'une de ses parties. Cela pourrait endommager l'article ou causer des blessures.

 **AVERTISSEMENT** : Afin de réduire les risques de blessure, l'utilisateur doit lire le manuel d'instructions.

Si vous avez des questions ou des commentaires concernant cet article ou tout autre article, communiquez avec CRAFTSMAN en composant le numéro sans frais suivant : 1 888 331-4569.

Clé à chocs de 1/2 po et de 400 lb-pi CMXPTSG1004NB

Exigences relatives au compresseur



Tool Requirements
Exigences relatives aux outils
Requisitos de herramientas

IMPORTANT : Pour fonctionner convenablement, cet outil nécessite un débit d'air d'au moins 5 pi³/min standard à une pression de 90 lb/po². La longueur du tuyau à air peut avoir une incidence sur la pression d'air reçue par l'outil. Il est possible que vous ayez à augmenter la pression d'air sur le régulateur de débit d'air afin d'atteindre la pression de service de 90 lb/po².

Caractéristiques techniques

Modèle	CMXPTSG1004NB
Prise	12,7 mm (1/2 po)
Vitesse libre	10 000 tr/min
Couple maximal	400 lb-pi
Consommation d'air moyenne	5 pi ³ /min standard
Entrée d'air	1/4 po, NPT
Tuyau à air	9,52 mm (3/8 po)
Pression de service	90 lb/po ²

⚠ AVERTISSEMENT : Une utilisation ou un entretien inadéquats de cet outil peut entraîner des blessures graves ou des dommages matériels. Assurez-vous de lire et de comprendre tous les avertissements et toutes les instructions avant d'utiliser l'outil. Lorsque vous utilisez un outil, observez toujours les mesures de sécurité de base afin de réduire les risques de blessure. Soyez attentifs aux changements de mouvement soudains lors du démarrage et de l'utilisation de tout outil à moteur et anticipez-les. N'utilisez pas l'outil si la gâchette ne fonctionne pas pour la mise en marche ou l'arrêt de l'outil. N'utilisez pas cet outil à une hauteur supérieure à 2 m (6 pi). Utilisez uniquement un outil, quel qu'il soit, pour l'usage auquel il est destiné. N'utilisez pas cet article dans des conditions de travail dangereuses. Il est toujours recommandé d'avoir un extincteur d'incendie et une trousse de premiers soins à proximité des aires de travail.

⚠ AVERTISSEMENT : L'utilisateur doit également lire le manuel du compresseur et suivre toutes les consignes de sécurité.

⚠ AVERTISSEMENT : Le non-respect des consignes de sécurité peut entraîner des blessures ou la mort.

CONSERVEZ TOUS LES AVERTISSEMENTS ET TOUTES LES INSTRUCTIONS AFIN DE POUVOIR LES CONSULTER ULTÉRIEUREMENT.

⚠ AVERTISSEMENT *RISQUES DE BLESSURE AUX YEUX OU À LA TÊTE*

Situations potentielles	Mesures préventives
Cet outil pneumatique peut projeter des fixations, des fragments de métal et d'autres débris, ce qui peut causer des blessures graves.	Portez toujours des lunettes de sécurité conformément à la norme ANSI Z87.1.
	Ne laissez jamais un outil en marche sans supervision.
	Débranchez l'outil de l'alimentation en air lorsque vous ne l'utilisez pas ou lorsque vous changez d'accessoire, afin d'éviter qu'il se déclenche accidentellement.
L'air comprimé peut être dangereux, car il est susceptible de projeter des objets ou des particules pouvant causer des blessures aux tissus mous du corps, notamment les yeux et les oreilles.	Pour plus de protection, utilisez un écran facial approuvé et portez des lunettes de sécurité.
Les accessoires de l'outil peuvent se desserrer ou se briser et se détacher. Ils peuvent ainsi se transformer en projectiles ou percuter d'autres objets et les projeter vers l'utilisateur ou d'autres personnes se trouvant dans la zone de travail.	N'utilisez pas de douilles trop usées sur les prises d'entrée et de sortie. Vérifiez périodiquement l'embout carré sur la clé à chocs. Assurez-vous que la douille, la rallonge ou tout autre accessoire est solidement fixé avant d'utiliser l'outil.

⚠ AVERTISSEMENT *RISQUE DE PERTE AUDITIVE*

Situations potentielles	Mesures préventives
L'exposition au bruit produit par les outils pneumatiques peut entraîner une perte auditive permanente.	Portez toujours des protecteurs auditifs conformes à la norme ANSI S3.19.

⚠ AVERTISSEMENT *RISQUE D'INCENDIE OU D'EXPLOSION*

Situations potentielles	Mesures préventives
Cet outil peut produire des étincelles susceptibles d'enflammer certains matériaux.	N'utilisez jamais un outil à proximité d'une substance inflammable comme de l'essence, du naphta, des solvants de nettoyage, etc.
	Travaillez dans un endroit propre, bien ventilé et dépourvu de matériaux combustibles.
	N'utilisez jamais d'oxygène, de dioxyde de carbone ni d'autre gaz embouteillé comme source d'alimentation pour les outils pneumatiques.

⚠ AVERTISSEMENT *RISQUE D'EMMÊLEMENT***Situations potentielles**

Les cheveux, les bijoux ou les vêtements amples peuvent se prendre dans les pièces mobiles de cet outil et causer des blessures graves.

Mesures préventives

Ne portez pas de vêtements amples, de bijoux, ni tout autre article qui pourrait s'accrocher ou s'emmêler dans l'outil lorsque vous utilisez l'outil.

Retirez tout bijou susceptible de s'accrocher dans l'outil.

Gardez toujours vos mains et les autres parties de votre corps à distance des pièces en mouvement.

Portez toujours des vêtements et un équipement de protection bien ajustés lorsque vous utilisez cet outil.

⚠ AVERTISSEMENT *RISQUE DE COUPURES, DE BRÛLURES OU DE COINCEMENT DES MAINS***Situations potentielles**

Cet outil peut causer des blessures graves s'il est utilisé d'une manière inadéquate ou autre que celle pour laquelle il est conçu.

Mesures préventives

Prenez garde à vos mains lorsque vous utilisez l'outil.

Connaissez les limites de l'outil.

Assurez-vous de lire et de comprendre le manuel d'instructions.

La friction des accessoires sur les pièces travaillées peut rendre ces derniers extrêmement chauds.

Assurez-vous de tenir vos mains à l'écart des douilles et des accessoires lors de l'utilisation de l'outil.

Le couple et la vitesse élevés de l'outil peuvent entraîner le coincement d'une main.

Lors du desserrage de fixations, assurez-vous d'abord de laisser suffisamment d'espace derrière l'outil afin d'éviter de vous coincer les mains. L'outil s'éloignera du joint fileté lorsque l'écrou ou le boulon sera desserré et remontera le filetage, déplaçant ainsi l'outil.

⚠ AVERTISSEMENT *RISQUE DE CHOC ÉLECTRIQUE***Situations potentielles**

La poignée de cet outil n'est pas isolée. Lorsque l'outil entre en contact avec un fil sous tension, ses parties métalliques exposées peuvent causer des chocs électriques, l'électrocution ou la mort.

Mesures préventives

N'utilisez jamais d'outils pneumatiques dans des endroits où ils pourraient entrer en contact avec des fils sous tension.

Le contact d'accessoires pour outils pneumatiques, notamment des douilles à choc, avec des fils électriques dissimulés peut causer des chocs électriques ou la mort.

Avant de commencer, vérifiez soigneusement les pièces travaillées et les aires de travail pour déceler les fils dissimulés.

⚠ AVERTISSEMENT *RISQUE DE BLESSURE***Situations potentielles****Mesures préventives**

Si vous laissez un outil sans surveillance ou que vous ne débranchez pas son tuyau à air lorsque vous cessez de l'utiliser, il risque d'être mis en marche par une personne non expérimentée et de la blesser ou de blesser d'autres personnes.

Lorsque vous n'utilisez pas l'outil, rangez-le dans un endroit sécuritaire, hors de la portée des enfants et autres personnes inexpérimentées, et débranchez le tuyau à air.

Les outils pneumatiques peuvent projeter des fixations ou d'autres matériaux dans l'aire de travail.

N'utilisez que des pièces, des fixations et des accessoires recommandés par le fabricant.

Gardez l'aire de travail propre et dépourvue de débris.

Ne laissez pas les enfants utiliser l'outil et gardez les enfants à distance de l'aire de travail.

Gardez l'aire de travail bien éclairée.

Fixez solidement la douille ou l'accessoire à la clé à chocs. Examinez l'enclume et la bague de retenue de l'outil avant utilisation. Les articles manquants ou endommagés doivent être remplacés avant l'utilisation.

Gardez les autres personnes à une distance sécuritaire de l'aire de travail. Toute personne entrant dans l'aire de travail doit porter un équipement de protection individuelle.

De petits morceaux de la pièce travaillée ou des fragments d'un accessoire endommagé peuvent être projetés à l'extérieur de la zone immédiate de l'utilisation de l'outil et ainsi entraîner des blessures.

Les outils pneumatiques peuvent être accidentellement mis en marche lorsque vous les entretenez ou que vous changez d'outil.

Débranchez l'outil de l'alimentation en air avant de changer d'accessoire ou d'outil, ou d'effectuer un entretien ou une réparation.

Ne tenez jamais l'outil par le tuyau à air.

Afin d'éviter tout déclenchement accidentel, ne transportez jamais l'outil en maintenant la gâchette enfoncée.

Seul un représentant autorisé devrait effectuer l'entretien de l'outil.

Les outils pneumatiques peuvent déplacer les pièces sur lesquelles vous travaillez, ce qui peut causer des blessures.

Assurez-vous que la pièce travaillée est toujours solidement fixée en place. Maintenez les pièces en place à l'aide d'attaches ou autres dispositifs de fixation.

Une perte de maîtrise de l'outil peut causer des blessures à l'utilisateur ou aux autres personnes présentes dans l'aire de travail.

Coupez l'alimentation en air et évacuez la pression d'air du tuyau avant de changer les accessoires ou d'effectuer des réparations ou encore lorsque vous n'utilisez pas l'outil.

Débranchez l'outil de l'alimentation en air et rangez-le dans un endroit sécuritaire.

N'utilisez jamais l'outil sous l'effet de drogues ou de l'alcool.

Une perte de maîtrise de l'outil peut causer des blessures à l'utilisateur ou aux autres personnes présentes dans l'aire de travail.	Gardez un bon équilibre en tout temps lorsque vous manipulez l'outil. Les glissades, les pertes d'équilibre ou le fait de tendre les bras trop loin sont des causes importantes de blessures ou de décès.
	Gardez les poignées de l'outil sèches, propres, et exemptes d'huile et de graisse.
	Soyez vigilant. Usez de votre jugement. N'utilisez pas l'outil si vous êtes fatigué.
Un outil endommagé présente des risques de rupture.	Suivez les instructions pour la lubrification afin d'assurer un fonctionnement optimal et sécuritaire.
	Suivez les instructions en matière de remplacement des accessoires.
Des accessoires de mauvaise qualité, endommagés ou inappropriés peuvent se détacher ou être projetés lors de l'utilisation et envoyer des débris dans l'aire de travail, ce qui peut entraîner des blessures graves.	N'utilisez que des accessoires qui conviennent à la vitesse de l'outil électrique.
	N'utilisez jamais d'outils qui ont subi un impact ou qui ont été endommagés.
	N'exercez pas une pression excessive sur l'outil; laissez-le accomplir la tâche lui-même.
	N'utilisez jamais un outil qui présente une fuite d'air, auquel il manque des pièces, dont des pièces sont endommagées ou qui nécessite des réparations.
	Suivez toujours les instructions pour l'assemblage, l'utilisation et l'entretien.
Les outils et les accessoires mal entretenus peuvent causer des blessures graves.	N'utilisez pas de tuyaux à air ou de raccords qui sont endommagés, effilochés ou détériorés.
	Entretenez soigneusement l'outil et les accessoires.
	Gardez l'outil propre et adéquatement huilé pour un rendement optimal et sécuritaire.
	Ne lubrifiez pas les outils avec des liquides inflammables ou volatils tels que le kérosène, le carburant diesel ou le carburateur.
L'utilisation d'un accessoire qui n'est pas conçu pour un outil donné augmente les risques de blessure pour l'utilisateur et les autres personnes qui se trouvent dans l'aire de travail.	N'utilisez que des accessoires conçus pour l'outil et la tâche à effectuer.
	Ne modifiez pas l'outil ni les accessoires, et ne tentez pas d'en créer.
Les mouvements répétitifs, les positions inconfortables et l'exposition aux vibrations peuvent présenter un danger pour les mains et les bras.	Cessez d'utiliser l'outil si vous ressentez un inconfort, un picotement ou une douleur.
	Consultez un médecin avant d'utiliser l'outil de nouveau si vous éprouvez l'un de ces symptômes.

Ne retirez aucune étiquette; remplacez toute étiquette endommagée.

REPLACEMENT GRATUIT DES ÉTIQUETTES D'AVERTISSEMENT : Si vos étiquettes d'avertissement sont illisibles ou manquantes, composez le **1 888 331 4569** pour les remplacer gratuitement.

PRÉPARATION

Avant de commencer l'assemblage de l'outil, assurez-vous d'avoir toutes les pièces. Comparez le contenu de l'emballage avec la liste des pièces. S'il y a des pièces manquantes ou endommagées, ne tentez pas d'assembler l'outil.

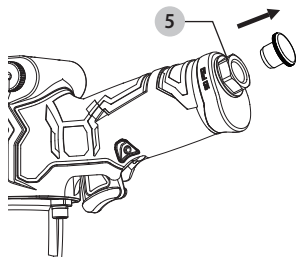
Temps d'assemblage approximatif : 1 à 3 minutes.

Outils et matériel nécessaires pour l'assemblage (non inclus) :

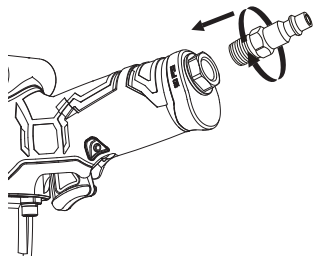
- Clé de 9/16 po (14 mm) ou clé à molette
- Ruban d'étanchéité
- Huile pour outils
- Connecteur mâle

ASSEMBLAGE

1. Retirez le capuchon protecteur en plastique de l'entrée d'air 5 de l'outil.

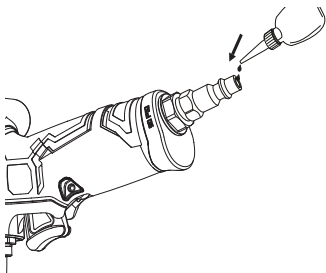


2. Serrez le connecteur mâle (non inclus) en le tournant dans le sens des aiguilles d'une montre à l'aide d'une clé (non incluse) afin que le raccord soit étanche à l'air.
NE SERREZ PAS EXCESSIVEMENT.



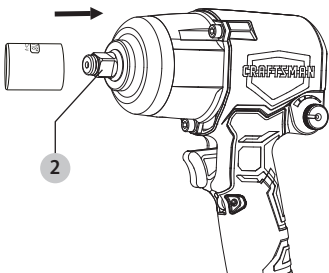
AVIS : Entourez le filetage du connecteur mâle avec du ruban d'étanchéité pour joints filetés (non inclus).

3. Versez 2 ou 3 gouttes d'huile à outil pneumatique (non incluse) dans l'ouverture du connecteur mâle avant chaque utilisation.



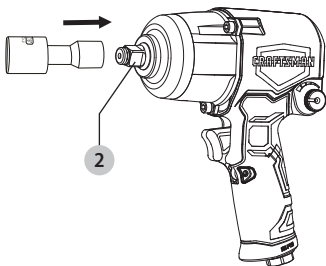
4. Sélectionnez la bonne douille à choc (non incluse) et fixez-la à l'enclume 2 jusqu'à ce qu'elle s'enclenche.

⚠ AVERTISSEMENT : Utilisez uniquement des adaptateurs et des douilles conçus pour être utilisés avec des clés à chocs. Assurez-vous toujours que les adaptateurs et les douilles sont bien installés et fixés avant d'utiliser l'outil. Les accessoires desserrés peuvent se briser et être projetés, ce qui peut causer de graves blessures à l'utilisateur ou à d'autres personnes présentes dans l'aire de travail. Suivez toujours l'ensemble des instructions du fabricant des accessoires pour bien les fixer et en faire un usage approprié.



5. Pour une plus grande portée, fixez la douille à l'extrémité d'une rallonge (non incluse), puis fixez la rallonge sur l'enclume 2.

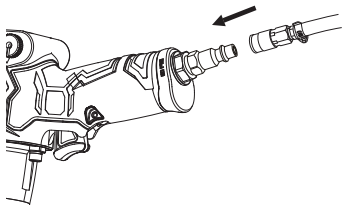
AVIS : Assurez-vous que la douille et la rallonge sont bien fixées avant d'utiliser l'outil.



FRANÇAIS

6. Branchez le tuyau d'alimentation en air sur le connecteur mâle en vous assurant qu'il est bien enfoncé et fixé. Pour un fonctionnement optimal, réglez la pression de service à 90 lb/po².

AVIS : La pression de service correspond à la pression d'air utilisée par l'outil lorsqu'il fonctionne.



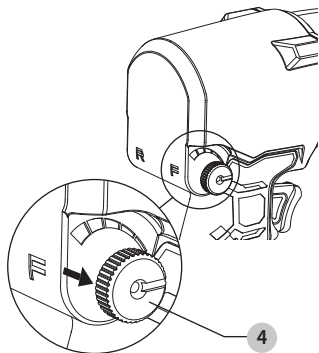
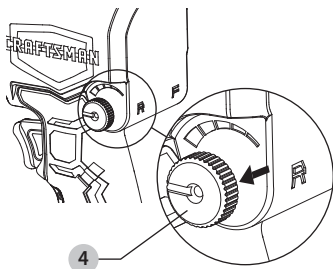
UTILISATION

1. Pour utiliser l'outil en mode serrage, poussez le bouton de réglage du couple **4** vers la gauche.
2. Pour utiliser l'outil en mode desserrage, poussez le bouton de réglage du couple **4** vers la droite.

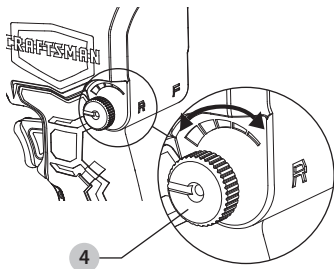
Cet outil propose 5 réglages de couple pour le desserrage et 5 pour le serrage, le couple de desserrage étant le plus élevé.

Pour sélectionner un réglage de couple pour le serrage, assurez-vous que le bouton de réglage du couple **4** est complètement poussé vers la gauche.

Pour sélectionner un réglage de couple pour le desserrage, assurez-vous que le bouton de réglage du couple **4** est complètement poussé vers la droite.



- B. L'indicateur de couple passe de faible à élevé.
Plus le rectangle est grand, plus le couple est élevé.
Tournez le bouton de réglage du couple 4 dans un sens ou dans l'autre et alignez la rainure du bouton sur le réglage de couple souhaité.



ENTRETIEN

AVERTISSEMENT : *COUPEZ TOUJOURS L'ALIMENTATION EN AIR AVANT D'EFFECTUER TOUT ENTRETIEN DE L'OUTIL.*

AVERTISSEMENT : *Assurez-vous que l'outil est toujours correctement lubrifié pendant l'utilisation. Les conditions de lubrification appropriées sont indiquées dans le présent manuel.*

Il est recommandé d'employer un huileur en ligne (non inclus), car celui-ci contribue à prolonger la durée de vie de l'outil tout en lubrifiant ce dernier. L'huileur doit être régulièrement vérifié et, au besoin, rempli d'huile pour outil pneumatique. Pour vérifier si l'huileur en ligne est réglé correctement, vous pouvez placer une feuille de papier à côté des orifices d'échappement de l'outil et maintenir la soupape complètement ouverte pendant environ 30 secondes. Si une légère tache d'huile se forme sur le papier, le réglage de l'huileur est adéquat. Évitez de lubrifier excessivement l'outil.

Lubrifiants recommandés : huile pour outil pneumatique ou toute autre huile de qualité pour turbine contenant des absorbants d'humidité, des antioxydants, des agents d'arrosage de métal et un additif EP (pression extrême). Veuillez communiquer avec votre détaillant local pour savoir quelle huile pour outil pneumatique offre la meilleure lubrification de votre outil.

Nettoyage

AVERTISSEMENT : *Soufflez la poussière et la saleté des événements d'aération avec de l'air propre et sec au moins une fois par semaine. Afin de réduire les risques de blessures aux yeux, portez toujours des lunettes de sécurité conformes à la norme ANSI Z87.1 lorsque vous effectuez cette tâche..*

AVERTISSEMENT : *N'utilisez jamais de solvants ni tout autre produit chimique fort pour nettoyer les pièces non métalliques de l'outil. Ces produits chimiques peuvent affaiblir le plastique de ces pièces. Utilisez un linge humecté d'eau et de savon doux uniquement. Ne laissez aucun liquide pénétrer à l'intérieur du taille-bordure et n'immergez aucune partie de l'outil dans un liquide.*

Réparations



AVERTISSEMENT : Pour assurer la **SÛRETÉ** et la **FIABILITÉ** du produit, les réparations et l'entretien devraient être faits dans un centre de service CRAFTSMAN ou dans un centre de service autorisé par CRAFTSMAN. Utilisez toujours des pièces de rechange identiques.

Accessoires



AVERTISSEMENT : Étant donné que les accessoires différents de ceux proposés par CRAFTSMAN n'ont pas fait l'objet de tests avec ce produit, leur utilisation avec cet outil peut être dangereuse. Destinataire : afin de réduire les risques de blessures, seuls les accessoires recommandés par CRAFTSMAN doivent être utilisés avec ce produit.

Les accessoires recommandés pour votre outil sont disponibles moyennant des coûts supplémentaires auprès de votre détaillant local ou dans un centre de service autorisé. Si vous avez besoin d'aide pour trouver un accessoire, rendez-vous sur le site **CRAFTSMAN.COM** ou appelez au **1 888 331-4569**.

Rangement

Avant de ranger l'outil, assurez-vous de suivre les étapes ci-dessous :

1. Consultez la section sur l'entretien des pages précédentes et effectuez l'entretien périodique au besoin.
2. Nettoyez adéquatement l'outil et lubrifiez-le légèrement avant de le ranger.
3. Rangez l'outil dans un endroit sec et sûr, hors de la portée des enfants.

Inscrivez votre article en ligne

Nous vous remercions de votre achat. Inscrivez votre produit dès maintenant pour les raisons suivantes :

- **SERVICE AU TITRE DE LA GARANTIE :** l'inscription de votre produit vous aidera à obtenir de plus amples renseignements concernant la garantie de votre produit en cas de défectuosité.
- **CONFIRMATION DE PROPRIÉTÉ :** en cas de sinistre dans le cadre d'une police d'assurance, comme un incendie, une inondation ou un vol, votre enregistrement de propriété servira de preuve d'achat.
- **POUR VOTRE SÉCURITÉ :** l'enregistrement de votre produit nous permet de vous contacter dans le cas improbable de l'émission d'un avis concernant la sécurité conformément à la Loi canadienne sur la sécurité des produits de consommation.

Enregistrez votre produit en ligne au **www.craftsman.com/registration**

DÉPANNAGE



AVERTISSEMENT : Si l'outil est lent ou ne fonctionne pas, vérifiez les points suivants et prenez les mesures correctives nécessaires :

PROBLÈME	CAUSE	MESURE CORRECTIVE
L'outil est lent ou ne fonctionne pas.	De la gomme ou des fragments se sont logés dans l'outil.	Rincez l'outil avec de l'huile pour outil pneumatique ou du dissolvant de gomme.
L'outil est lent ou ne fonctionne pas.	L'outil manque d'huile.	Lubrifiez l'outil.
L'outil est lent ou ne fonctionne pas.	La pression d'air est trop faible.	Réglez le régulateur de l'outil à son maximum. Réglez le régulateur du compresseur de l'outil à sa pression manométrique maximale, soit 90 lb/po ² . REMARQUE : L'utilisation d'un tuyau à air peut entraîner une chute de pression allant jusqu'à 15 lb/po ² . Il peut donc s'avérer nécessaire d'augmenter la pression venant du compresseur afin de maintenir un niveau adéquat à l'outil.
L'outil est lent ou ne fonctionne pas.	Le tuyau à air fuit.	Si vous décelez des fuites, serrez les raccords du tuyau et scellez-le à l'aide de ruban d'étanchéité.
L'outil est lent ou ne fonctionne pas.	La pression d'air est trop faible.	Assurez-vous que le tuyau est de dimensions appropriées. Les longs tuyaux ou les outils utilisant de grandes quantités d'air peuvent nécessiter un diamètre intérieur de tuyau de 1/2 po ou plus, selon la longueur totale du tuyau. N'utilisez pas de multiples tuyaux reliés par des raccords à branchement rapide; ceux-ci engendrent des chutes de pression supplémentaires et diminuent la puissance de l'outil. Utilisez plutôt un seul tuyau de la bonne longueur.
L'outil est lent ou ne fonctionne pas.	La pale du rotor est usée.	Remplacez la pale du rotor.
L'outil est lent ou ne fonctionne pas.	De l'humidité s'échappe des orifices de l'outil.	De l'eau se trouve dans le réservoir du compresseur : videz le réservoir (consultez le manuel du compresseur d'air). Lubrifiez l'outil et faites-le fonctionner jusqu'à ce qu'il n'y ait plus de trace d'eau. Lubrifiez de nouveau l'outil et faites-le fonctionner pendant 1 ou 2 secondes.

Garantie limitée de trois ans

CRAFTSMAN réparera ou remplacera gratuitement tous les outils défectueux présentant des défauts de matériaux ou de fabrication pendant trois ans à compter de la date d'achat (garantie de deux ans pour les piles). Cette garantie ne couvre pas les défauts dus à une usure normale ou à un usage abusif de l'outil. Pour de plus amples renseignements concernant la couverture de la garantie et les réparations sous garantie, visitez le site www.craftsman.com ou composez le **1 888 331-4569**. Cette garantie ne couvre pas les accessoires ni les dommages causés par des réparations non autorisées. LA PRÉSENTE GARANTIE LIMITÉE REMPLACE TOUTE AUTRE GARANTIE, Y COMPRIS LA GARANTIE IMPLICITE DE QUALITÉ MARCHANDE OU DE CONFORMITÉ À UN USAGE PARTICULIER ET EXCLUT TOUS LES DOMMAGES ACCESSOIRES OU CONSÉCUTIFS. Certains États ou certaines provinces ne permettent pas d'établir de limitation quant à la durée d'une garantie implicite ou l'exclusion ou la limitation des dommages accessoires ou consécutifs, de sorte que les limitations susmentionnées peuvent ne pas s'appliquer à vous. Cette garantie vous confère des droits précis. Il est possible que vous disposiez d'autres droits, qui varient d'un État ou d'une province à l'autre.

GARANTIE DE REMBOURSEMENT DE 90 JOURS

Si vous n'êtes pas entièrement satisfait du rendement de votre outil électrique CRAFTSMAN, Laser ou Nailer pour quelque raison que ce soit, vous pouvez le retourner dans les 90 jours suivant la date d'achat en présentant un reçu pour obtenir un remboursement complet. Aucune question ne vous sera posée.

AMÉRIQUE LATINE : cette garantie ne s'applique pas aux produits vendus en Amérique latine. Pour les produits vendus en Amérique latine, reportez-vous aux informations sur la garantie par pays, que vous pouvez obtenir dans l'emballage, en appelant l'entreprise locale ou en consultant le site Web.

CRAFTSMAN®

is a registered trademark of Stanley Black & Decker, Inc., used under license.
est une marque déposée de Stanley Black & Decker, Inc., utilisée sous licence.
es una marca registrada de Stanley Black & Decker, Inc., utilizada bajo licencia.

© 2019 CRAFTSMAN

Product Manufactured by: SHINING GOLDEN YIDA

Produit fabriqué par: SHINING GOLDEN YIDA

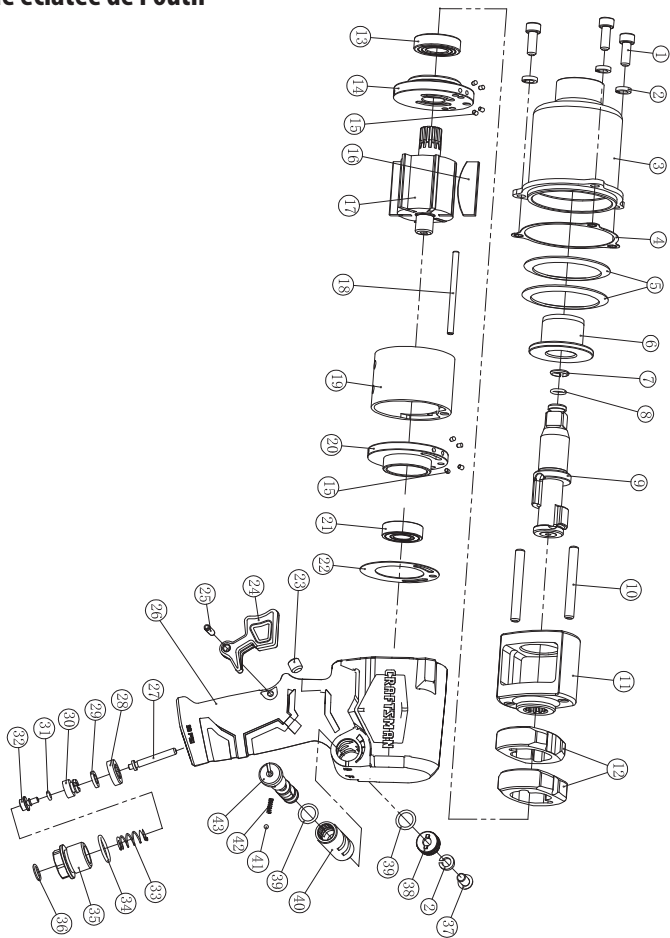
Producto fabricado por: SHINING GOLDEN YIDA

LICENSEE NAME: SHINING GOLDEN YIDA

LICENSEE ADDRESS: PO BOX 6564 AKRON, OH 44312

U.S. & Canada Only • É.-U. et Canada seulement • EE.UU. y Canadá únicamente

Vue éclatée de l'outil



Liste des pièces

Pièce	Description	Qté	Pièce	Description	Qté	Pièce	Description	Qté
1	Vis	3	17	Rotor	1	31	Joint torique	1
2	Rondelle de blocage	4	18	Goupille d'alignement	1	32	Soupape d'admission inférieure	1
3	Couvercle avant	1	19	Cylindre	1	33	Ressort	1
4	Joint	1	20	Capuchon B	1	34	Joint torique	1
5	Espaceur	2	21	Roulement à billes (capuchon B)	1	35	Raccord d'entrée d'air	1
6	Douille d'enclume	1	22	Joint	1	36	Filtre en métal	1
7	Bague de retenue	1	23	Vis de calage	1	37	Vis	2
8	Joint torique	1	24	Gâchette	1	38	Écrou pour le réglage de la vitesse, le serrage et le desserrage	1
9	Enclume	1	25	Goupille de la gâchette	1	39	Joint torique	2
10	Goupille de marteau	2	26	Boîtier	1	40	Douille d'air	1
11	Logement de marteau	1	27	Goupille d'entrée d'air	1	41	Roulement à billes	2
12	Marteau	2	28	Rondelle d'admission	1	42	Ressort	1
13	Palier	1	29	Joint d'étanchéité	1	43	Réglage de la vitesse, serrage et desserrage	1
14	Capuchon A	1	30	Soupape d'admission supérieure	1			

Trousse de rechange

Pièce	Numéro de trousse	Description de la trousse
1	K33001-CMX	Vis, rondelles de blocage, couvercle avant, joint
2	K33001-CMX	Vis, rondelles de blocage, couvercle avant, joint
3	K33001-CMX	Vis, rondelles de blocage, couvercle avant, joint
4	K33001-CMX	Vis, rondelles de blocage, couvercle avant, joint
7	K11002-CMX	Bague de retenue, joint torique
8	K11002-CMX	Bague de retenue, joint torique
9	K33003-CMX	Enclume, goupilles de marteau, marteaux, joint
10	K33003-CMX	Enclume, goupilles de marteau, marteaux, joint
12	K33003-CMX	Enclume, goupilles de marteau, marteaux, joint
14	K33004-CMX	Joint, lames

Definiciones: símbolos y palabras de alertas de seguridad

Este manual de instrucciones utiliza los siguientes símbolos y palabras de alertas de seguridad para alertarlo de situaciones peligrosas y su riesgo de lesiones personales o daños a la propiedad.

! **PELIGRO:** indica una situación de peligro inminente que, de no evitarse, ocasionará la muerte o lesiones graves.

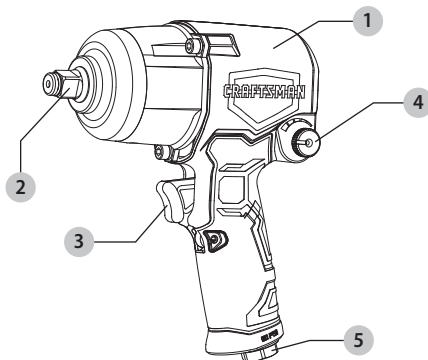
! **ADVERTENCIA:** indica una situación potencialmente peligrosa que, de no evitarse, puede ocasionar la muerte o lesiones graves.

! **PRECAUCIÓN:** indica una situación de posible peligro que, de no evitarse, podría ocasionar lesiones menores o moderadas.

! (Se usan sin palabra) Indica un mensaje de seguridad.

AVISO: indica una acción no relacionada con lesiones personales que, de no evitarse, puede ocasionar daños a la propiedad.

Fig. A



Componentes

- 1 Llave de percusión de 1/2 pulg.
- 2 Yunque
- 3 Gatillo
- 4 Interruptor para la configuración de la torsión
- 5 Entrada de aire

! **ADVERTENCIA:** lea todas las advertencias de seguridad y todas las instrucciones.

El incumplimiento de las advertencias y las instrucciones podría provocar descargas eléctricas, incendios o lesiones graves.

! **ADVERTENCIA:** nunca modifique el producto ni ninguna de sus piezas. De lo contrario, podrían producirse daños o lesiones personales.

! **ADVERTENCIA:** para reducir el riesgo de lesiones, lea el manual de instrucciones.

Si tiene preguntas o comentarios acerca de este o cualquier producto, llame gratis a CRAFTSMAN al: 1-888-331-4569.

Llave de percusión de 1/2 pulg. y 55,3 kgf-m CMXPTSG1004NB

Requerimientos del compresor



Tool Requirements
Exigences relatives aux outils
Requisitos de herramientas

IMPORTANTE: para funcionar correctamente, esta herramienta necesita un flujo de aire de al menos 5 pies cúbicos estándar por minuto (SCFM, por sus siglas en inglés) a 90 libras por pulgada cuadrada (PSI por sus siglas en inglés) en la herramienta. El largo de la manguera de aire podría afectar la cantidad de presión de aire que recibe realmente la herramienta. Es posible que deba ajustar la presión de aire más alta en el regulador de aire para lograr la presión de trabajo de 90 PSI.

Especificaciones

Modelo	CMXPTSG1004NB
Empalme	1/2" (12,7 mm)
Velocidad sin carga	10.000 rpm
Torque máximo	55,3 kgm
Consumo de aire promedio	5 scfm
Entrada de aire	NPT de 1/4"
Manguera de aire comprimido	3/8" (9,52 mm)
Presión de trabajo	90 psi

⚠ ADVERTENCIA: el uso o el mantenimiento inadecuado de esta herramienta pueden ocasionar lesiones graves y daños a la propiedad. Lea y comprenda todas las advertencias y las instrucciones de funcionamiento antes de usar esta herramienta. Cuando utilice cualquier herramienta, siga siempre las medidas de precaución básicas para reducir el riesgo de lesiones personales. Anticípese y manténgase alerta por si se producen cambios repentinos en el movimiento durante el arranque y el funcionamiento de cualquier herramienta eléctrica. No use la herramienta si el gatillo no la enciende ni la apaga. No use esta herramienta a alturas que excedan los 1,82 m (6 pies). Use cada una de las herramientas solo para el fin para el cual fue concebida. No use este producto en condiciones de trabajo inseguras. Se recomienda tener siempre un extintor de incendios y un kit de primeros auxilios cerca del área de trabajo.

⚠ ADVERTENCIA: el usuario también debe leer el manual del compresor y seguir todas sus instrucciones de seguridad.

⚠ ADVERTENCIA: no cumplir ni seguir las instrucciones de seguridad podría provocar lesiones o la muerte.

GUARDE TODAS LAS ADVERTENCIAS E INSTRUCCIONES PARA REFERENCIA FUTURA

⚠ ADVERTENCIA RIESGO DE LESIONES EN LOS OJOS O LA CABEZA

Lo que puede ocurrir	Cómo evitarlo
Esta herramienta neumática puede lanzar materiales como sujetadores, astillas de metal y otros residuos a alta velocidad, lo que puede provocar lesiones.	Siempre utilice gafas de seguridad aprobadas por la norma ANSI Z87.1.
	Nunca deje la herramienta en funcionamiento sin supervisión.
	Desconecte la herramienta del suministro de aire cuando no esté en uso o mientras cambia los accesorios con el fin de evitar cualquier operación accidental.
El aire comprimido puede ser peligroso ya que puede lanzar objetos y partículas que pueden causar lesiones a zonas de tejido blando como los ojos y orejas.	Para una protección adicional, use una máscara protectora aprobada, además de las gafas de seguridad.
Los accesorios de las herramientas pueden soltarse o romperse y desprenderse transformándose en proyectiles, o pueden lanzar otros objetos al usuario y los que estén en la zona de trabajo.	No utilice dados con un desgaste excesivo de los accionamientos de entrada o de salida. Revise periódicamente la llave cuadrada en la llave de impacto. Asegúrese de que el dado, la barra de extensión u otros accesorios estén fijos de manera segura antes de operar la herramienta.

⚠ ADVERTENCIA RIESGO DE PÉRDIDA DE LA AUDICIÓN

Lo que puede ocurrir	Cómo evitarlo
La exposición al ruido producido por las herramientas neumáticas puede producir la pérdida permanente de la audición.	Use siempre protección para los oídos aprobada por la norma ANSI S3.19.

⚠ ADVERTENCIA RIESGO DE INCENDIO O EXPLOSIÓN

Lo que puede ocurrir	Cómo evitarlo
Esta herramienta puede producir chispas, las cuales podrían causar la ignición de materiales inflamables.	Nunca use herramientas cerca de sustancias inflamables, como gasolina, nafta, solventes de limpieza, etc.
	Trabaje en un área limpia y bien ventilada libre de materiales combustibles.
	Nunca utilice oxígeno, dióxido de carbono u otros gases embotellados como fuente de alimentación para las herramientas neumáticas.

⚠ ADVERTENCIA *RIESGO DE ENREDOS*

Lo que puede ocurrir

El cabello, la ropa o las joyas sueltas, u otros objetos sueltos pueden enredarse en los elementos móviles de esta herramienta y provocar una lesión grave.

Cómo evitarlo

No use vestimenta suelta, joyas o elementos que puedan atascarse o enredarse cuando utilice la herramienta.

Sáquese las joyas que puedan atascarse en la herramienta.

Mantenga siempre sus manos y partes del cuerpo alejadas de las piezas en movimiento.

Siempre use ropa y otro equipo de seguridad de calces adecuados cuando use esta herramienta.

⚠ ADVERTENCIA *RIESGO DE CORTES, QUEMADURAS O APRISIONAMIENTO DE LAS MANOS*

Lo que puede ocurrir

Esta herramienta es capaz de causar lesiones graves si se opera de forma inadecuada o si se utiliza para un fin para el que no está diseñada.

Cómo evitarlo

Mantenga la pieza de trabajo de la herramienta alejada de las manos y el cuerpo.

Comprenda las limitaciones de la herramienta.

Lea y comprenda el manual de instrucciones.

Los accesorios pueden alcanzar altas temperaturas durante la fricción en la que hacen contacto con las piezas de trabajo.

Asegúrese de mantener las manos alejadas de los dados/accesorios durante el uso de la herramienta.

La alta torsión y velocidad de la herramienta pueden ocasionar un atrapamiento de las manos.

Al aflojar los tornillos, asegúrese primero de que haya suficiente espacio detrás de la herramienta para evitar que la mano quede atrapada. La herramienta se alejará de la unión roscada a medida que se afloja la tuerca/perno y sube por la rosca, moviendo la herramienta con ella.

⚠ ADVERTENCIA *RIESGO DE DESCARGA ELÉCTRICA*

Lo que puede ocurrir

Esta herramienta no se proporciona con una superficie de agarre aislada. El contacto con un cable energizado también hará que las piezas de metal de la herramienta estén energizadas y pueden ocasionar electrocución, electrocución o la muerte.

Cómo evitarlo

Nunca utilice herramientas neumáticas en lugares donde puedan entrar en contacto con algún cableado eléctrico energizado.

Los accesorios de la herramienta neumática como los tubos de impacto que entran en contacto con un cableado eléctrico oculto podrían causar electrocución o la muerte.

Inspeccione completamente las piezas y las áreas de trabajo en búsqueda de posibles cables ocultos antes de realizar trabajos.

⚠ ADVERTENCIA *RIESGO DE LESIONES PERSONALES***Lo que puede ocurrir****Cómo evitarlo**

Si se deja una herramienta sin supervisión o con la manguera de aire comprimido conectada, personas no autorizadas pueden activarla y sufrir o provocar lesiones.

Cuando la herramienta no esté en uso, retire la manguera de aire comprimido y almacene la herramienta en una ubicación segura y alejada del alcance de niños y usuarios no capacitados.

Las herramientas neumáticas pueden lanzar materiales en el área del trabajo.

Solo use piezas y accesorios recomendados por el fabricante.

Mantenga el área de trabajo limpia y ordenada.

No permita que los niños operen la herramienta y manténgalos alejados del área de trabajo.

Mantenga el área de trabajo bien iluminada.

Fije de manera segura el accesorio a la amoladora de troqueles en ángulo. Inspeccione que el accesorio esté bien apretado antes de usarlo. Se deben reemplazar los artículos faltantes o dañados antes de usar la herramienta.

Mantenga a los transeúntes a una distancia segura del área de trabajo. Toda persona que ingrese al área de trabajo debe usar un equipo de protección personal.

Fragmentos de piezas de trabajo o de un accesorio de trabajo pueden salir eyectados y causar lesiones incluso más lejos del área de operación.

Las herramientas neumáticas pueden activarse por accidente durante el mantenimiento o el cambio de accesorios.

Desconecte la herramienta del suministro de aire mientras cambia los accesorios, hace cambios en la herramienta, durante el mantenimiento o la reparación.

Nunca transporte la herramienta sujetándola de la manguera de aire comprimido.

Para evitar un funcionamiento accidental, nunca transporte la herramienta con el gatillo apretado o enganchado.

Solo un representante de servicio autorizado debe realizar reparaciones en la herramienta.

Las herramientas neumáticas pueden provocar que la pieza de trabajo se mueva al tener contacto y causar lesiones.

Asegúrese siempre de que la pieza de trabajo esté firme. Utilice abrazaderas u otros dispositivos para evitar que se mueva.

La pérdida del control de la herramienta puede provocar lesiones al operador o a otras personas en el área de trabajo.

Cierre el paso del suministro de aire y libere/drene la presión de aire de la manguera antes de cambiar los accesorios, realizar reparaciones o cuando la herramienta no esté en uso.

Desconecte la herramienta del suministro de aire y almacénela en una ubicación segura.

Nunca use la herramienta si está bajo la influencia de medicamentos, alcohol o drogas.

ESPAÑOL

La pérdida del control de la herramienta puede provocar lesiones al operador o a otras personas en el área de trabajo.	Mantenga una posición adecuada en todo momento al manipular las herramientas. Los resbalones, tropiezos, caídas o intentos de sobrepasar el alcance son causas importantes de lesiones graves o la muerte.
	Mantenga las manijas de la herramienta seca, limpia y sin aceite ni grasa.
	Manténgase alerta. Use el sentido común. No utilice las herramientas si está cansado.
Si la herramienta se daña, existe el riesgo de que reviente.	Siga las instrucciones de lubricación para un funcionamiento óptimo y seguro.
	Siga las instrucciones sobre cómo cambiar correctamente los accesorios.
Los accesorios de mala calidad, inadecuados o dañados pueden desprenderse durante el uso y lanzar proyectiles por el área de trabajo causando lesiones graves.	Utilice siempre accesorios clasificados para la velocidad de la herramienta eléctrica.
	Nunca use herramientas que se hayan caído, golpeado o dañado.
	No aplique fuerza excesiva a la herramienta; deje que esta realice el trabajo.
	Nunca use una herramienta que tenga fugas de aire, que le falten piezas o tenga piezas dañadas o que requiera reparaciones.
Las herramientas y los accesorios con mantenimiento inadecuado pueden causar lesiones graves.	Siga siempre las instrucciones de ensamblaje, funcionamiento y mantenimiento.
	No utilice mangueras de aire o accesorios dañados, deshilachados o deteriorados.
	Realice un mantenimiento adecuado de la herramienta y los accesorios.
	Mantenga las herramientas limpias y bien lubricadas para obtener un rendimiento óptimo y seguro.
El uso de accesorios que no estén diseñados para utilizarse con la herramienta específica aumenta el riesgo de lesiones al operador y a las personas que estén en el área de trabajo.	No lubrique las herramientas con líquidos inflamables o volátiles como queroseno, diesel o combustible de aviación.
	Utilice siempre accesorios diseñados para la herramienta y el trabajo a realizar.
Los movimientos repetidos, las posiciones incómodas y la exposición a la vibración pueden ser perjudiciales para las manos y los brazos.	No modifique ni improvise con las herramientas o los accesorios.
	Deje de utilizar la herramienta si se siente incómodo, experimenta entumecimiento o tiene dolor.
	Si se presentan algunos de estos síntomas, consulte al médico antes de reanudar el trabajo.

No retire ninguna etiqueta. Reemplace cualquier etiqueta dañada.

REEMPLAZO DE LA ETIQUETA DE ADVERTENCIA GRATIS: si las etiquetas de advertencia se vuelven ilegibles o las pierde, llame al **1-888-331-4569** para obtener un reemplazo gratis.

PREPARACIÓN

Antes de comenzar a ensamblar esta herramienta, asegúrese de tener todas las piezas. Compare las piezas con la lista del contenido del paquete. No intente ensamblar la herramienta si falta alguna pieza o si estas están dañadas.

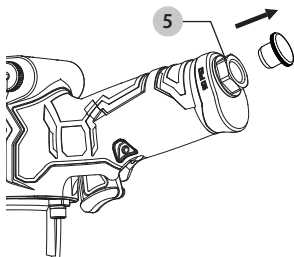
Tiempo estimado de ensamblaje: 1 a 3 minutos

Herramientas y materiales necesarios para el ensamblaje (no se incluyen):

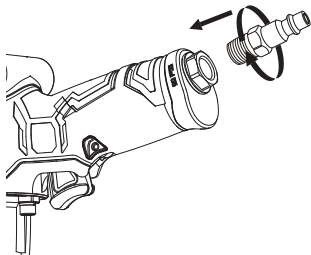
- Llave ajustable o de 9/16 pulg. (14,28 mm)
- Cinta selladora para roscas
- Aceite para herramientas
- Conector macho

ENSAMBLAJE

1. En la entrada de aire **5**, retire la tapa protectora de plástico de la misma.



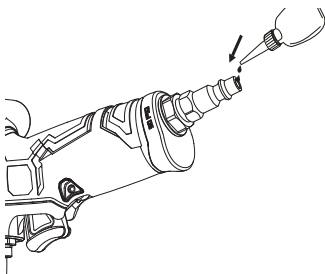
2. Apriete el conector macho (no se incluye) girando en dirección de las manecillas del reloj con una llave (no se incluye) para una conexión hermética.
NO APIRTE DEMASIADO.



AVISO: use cinta selladora para roscas (no se incluye) en las roscas del enchufe macho.

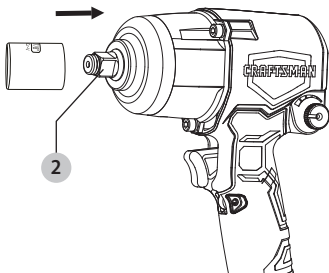
ESPAÑOL

3. Coloque de 2 a 3 gotas de aceite para herramientas neumáticas (no se incluye) en la apertura del enchufe macho antes de cada uso.



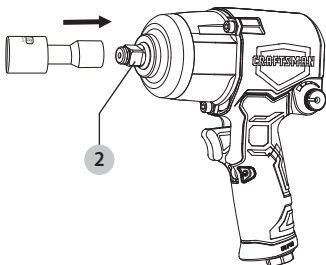
4. Seleccione el dado de percusión correcto (no se incluye) y móntelo en el yunque 2 hasta que encaje en su lugar.

⚠ ADVERTENCIA: utilice únicamente adaptadores y dados hechos para su uso con pistolas de impacto. Siempre asegúrese de que los adaptadores y dados estén correctamente instalados y asegurados antes de utilizar esta herramienta. Los accesorios de las herramientas pueden romperse y desprenderse, lo que puede causar lesiones graves al operador o las demás personas que estén en la zona de trabajo. Siempre siga las especificaciones del fabricante para lograr una correcta fijación y utilización.



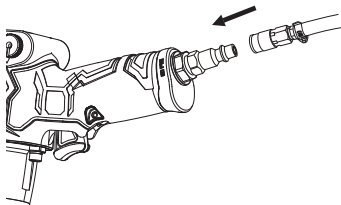
5. Para obtener un mayor alcance, monte el dado en el extremo de una barra de extensión (no se proporciona) y luego monte la barra de extensión en el yunque 2.

AVISO: asegúrese de que el dado y la barra de extensión estén debidamente asegurados antes de operar la herramienta.



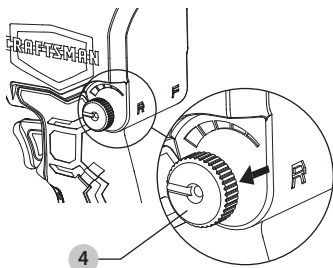
6. Conecte la manguera de suministro de aire al conector de aire macho y asegúrese de que está encajada y segura. Establezca la presión de trabajo en 90 PSI para obtener el mejor rendimiento de la herramienta.

AVISO: la presión de trabajo es la cantidad de presión de aire de que la herramienta detecta al funcionar.



FUNCIONAMIENTO

1. Para operar la herramienta en la dirección hacia delante, presione el interruptor de ajuste de torsión **4** hacia la izquierda.

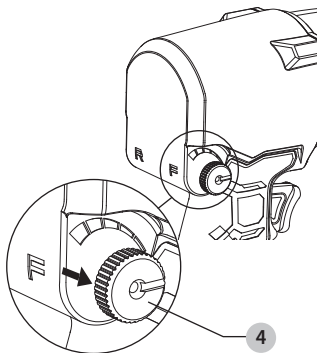


2. Para operar la herramienta en la dirección reversa, presione el interruptor de ajuste de torsión **4** hacia la derecha.

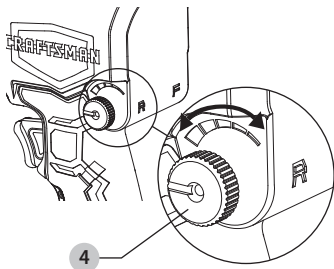
Esta herramienta cuenta con 5 ajustes de torsión hacia delante y 5 de reversa, siendo esta última dirección la que posee la torsión máxima.

Para seleccionar un ajuste de torsión en dirección hacia delante, asegúrese de que el interruptor de ajuste de torsión **4** esté completamente presionado hacia la izquierda.

Para seleccionar un ajuste de torsión en dirección reversa, asegúrese de que el interruptor de ajuste de torsión **4** esté completamente presionado hacia la derecha.



- B. El indicador de torsión va de baja a alta. Mientras más pequeño sea el rectángulo, más baja es la torsión; mientras más grande sea el rectángulo, mayor será la torsión. Gire el interruptor de ajuste de torsión **4** ya sea en dirección de las manecillas del reloj o en dirección contraria a las manecillas del reloj, y alinee la ranura de la perilla con el ajuste de torsión deseado.



MANTENIMIENTO

! **ADVERTENCIA:** *DESCONECTE SIEMPRE LA HERRAMIENTA DEL SUMINISTRO DE AIRE ANTES DE REALIZAR CUALQUIER TAREA DE MANTENIMIENTO.*

! **ADVERTENCIA:** *siempre asegúrese de que la herramienta esté lubricada correctamente mientras dura su ejecución. La lubricación adecuada se muestra en este manual de instrucciones.*

Se recomienda usar un lubricador en línea (no incluido) para aumentar la vida útil de la herramienta y mantenerla correctamente lubricada. Se debe verificar regularmente el lubricador en línea y llenarlo con aceite para herramientas neumáticas según sea necesario. El ajuste adecuado del lubricador en línea puede realizarse colocando una hoja de papel junto a los orificios de escape de la herramienta y manteniendo el regulador completamente abierto por 30 segundos. Cuando aparece una leve mancha de aceite en el papel, el lubricador en línea está ajustado de manera adecuada. Se deben evitar las cantidades excesivas de aceite.

Lubricantes recomendados: aceite para herramientas neumáticas o cualquier otro aceite de alta calidad para turbinas que contenga absorbente de humedad, antioxidante, agentes de humidificación de metales y un aditivo para presión extrema (EP, por sus siglas en inglés). Consulte a su distribuidor local para obtener más ayuda para seleccionar el aceite para herramienta neumática más adecuado para la lubricación apropiada.

Limpieza

! **ADVERTENCIA:** *elimine la suciedad y el polvo de todos los conductos de ventilación con aire limpio y seco al menos una vez a la semana. Para minimizar el riesgo de lesiones oculares, use siempre protección ocular aprobada por la norma ANSI Z87.1 cuando realice este procedimiento.*



ADVERTENCIA: nunca use solventes u otros productos químicos agresivos para limpiar las partes no metálicas de la herramienta. Estos productos químicos pueden debilitar los materiales plásticos utilizados en estas piezas. Use un paño humedecido solo con una mezcla de jabón suave y agua. Nunca deje que ingresen líquidos a la herramienta; nunca sumerja alguna pieza de la herramienta en líquido.

Reparaciones



ADVERTENCIA: para garantizar la **SEGURIDAD** y **FIABILIDAD** del producto, las reparaciones y el mantenimiento los debe realizar un centro de servicio de fábrica de CRAFTSMAN o un centro de servicio autorizado de CRAFTSMAN. Utilice siempre piezas de repuesto idénticas a las de fabricación.

Accesorios



ADVERTENCIA: debido a que los accesorios que no sean los ofrecidos por CRAFTSMAN no han sido probados con este producto, su uso con esta herramienta podría ser peligroso. Para reducir el riesgo de lesiones, solo se deben utilizar los accesorios recomendados por CRAFTSMAN con este producto.

Los accesorios recomendados para usar con su herramienta están disponibles a un costo adicional en su distribuidor local o centro de servicio autorizado. Si necesita ayuda para encontrar algún accesorio, visite **CRAFTSMAN.COM** o llame al **1-888-331-4569**.

Almacenamiento

Antes de almacenar la herramienta, asegúrese de hacer lo siguiente:

1. Revise la sección de Mantenimiento en las páginas anteriores y realice el mantenimiento programado según sea necesario.
2. La herramienta debe estar bien limpia y ligeramente lubricada antes de almacenarla.
3. Almacene la herramienta en un lugar seco y seguro, fuera del alcance de los niños.

Registro en línea

Gracias por su compra. Registre su producto ahora para:

- **SERVICIO DE GARANTÍA:** registrar su producto le ayudará a obtener un servicio de garantía más eficiente en caso tenga problemas con su producto.
- **CONFIRMACIÓN DE PROPIEDAD:** en caso de pérdida del seguro, como incendio, inundación o robo, su registro de propiedad servirá como prueba de compra.
- **PARA SU SEGURIDAD:** el registro de su producto nos permitirá ponernos en contacto con usted en el improbable caso de que se requiera una notificación de seguridad según la Ley Federal de Seguridad del Consumidor.

Registre en línea en **www.craftsman.com/registration**

SOLUCIÓN DE PROBLEMAS



ADVERTENCIA: si la herramienta funciona lentamente o no funciona, verifique estos posibles problemas y realice la acción correctiva correspondiente:

PROBLEMA	CAUSA	SOLUCIÓN
La herramienta no funciona o lo hace lentamente.	Hay polvo o goma en la herramienta.	Enjuague la herramienta con aceite para herramientas neumáticas o solvente para goma.
La herramienta no funciona o lo hace lentamente.	No hay aceite en la herramienta.	Lubrique la herramienta.
La herramienta no funciona o lo hace lentamente.	La presión de aire es baja.	Ajuste el regulador en la herramienta en la configuración máxima. Ajuste el regulador del compresor al máximo de la herramienta en 90 PSI. NOTA: las mangueras de aire comprimido pueden causar una pérdida de hasta 15 PSI en la presión, de manera que puede necesitar configurar la potencia más alta del compresor para mantener la presión requerida en la herramienta.
La herramienta no funciona o lo hace lentamente.	Hay fugas en la manguera de aire comprimido.	Apriete y selle los conectores de la manguera si se encuentran fugas. Use cinta de sellado.
La herramienta no funciona o lo hace lentamente.	La presión de aire es baja.	Asegúrese de que la manguera sea del tamaño adecuado. Las mangueras largas o las herramientas que usen grandes volúmenes de aire pueden requerir un diámetro interno de 1/2 pulg. o más, según el largo total de la manguera. No utilice varias mangueras conectadas entre sí con conectores de conexión rápida. Esto causa pérdidas de presión adicionales y reduce la potencia de la herramienta. Utilice mangueras simples del largo apropiado.
La herramienta no funciona o lo hace lentamente.	Las aspas del rotor están desgastadas.	Reemplace el asa del rotor.
La herramienta no funciona o lo hace lentamente.	Sale humedad del escape de la herramienta.	Agua en el tanque del compresor; drene el tanque (consulte el manual del compresor de aire). Lubrique la herramienta y hágala funcionar hasta que no haya evidencia de agua. Vuelva a lubricar la herramienta y hágala funcionar durante 1 a 2 segundos.

Tres años de garantía limitada

CRAFTSMAN reparará o reemplazará, sin costo, cualquier defecto debido en el material o en la mano de obra por un periodo de tres años a partir de la fecha de compra (dos años para las baterías). Esta garantía no cubre las fallas de piezas debido al desgaste normal o al abuso de la herramienta. Para obtener más detalles sobre la cobertura de la garantía y conocer la información de reparación de la garantía, visite www.craftsman.com o llame al **1-888-331-4569**. Esta garantía no se aplica a accesorios ni a daños causados por reparaciones hechas o que se hayan intentado hacer por otras personas. ESTA GARANTÍA LIMITADA SE OTORGA EN LUGAR DE TODAS LAS DEMÁS, INCLUIDA LA GARANTÍA IMPLÍCITA DE COMERCIABILIDAD E IDONEIDAD PARA UN FIN DETERMINADO, Y EXCLUYE TODOS LOS DAÑOS ACCIDENTALES O RESULTANTES. Algunos estados no permiten limitaciones en cuanto a la duración de una garantía implícita ni la exclusión de daños accidentales o resultantes, de modo que estas limitaciones pueden no aplicarse a usted. Esta garantía le otorga derechos legales específicos y podría tener otros derechos que varían en ciertos estados o provincias.

GARANTÍA DE DEVOLUCIÓN DE SU DINERO EN 90 DÍAS

Si no está completamente satisfecho con el rendimiento de su herramienta eléctrica, láser o clavadora CRAFTSMAN por cualquier razón, puede devolverla dentro de los 90 días a partir de la fecha de compra con un recibo para obtener un reembolso completo. No le haremos preguntas.

LATINOAMÉRICA: esta garantía no se aplica a los productos vendidos en Latinoamérica. Para los productos vendidos en Latinoamérica, consulte la información de garantía específica del país contenida en el embalaje, llame a la compañía local o consulte el sitio web para obtener información sobre la garantía.

CRAFTSMAN®

is a registered trademark of Stanley Black & Decker, Inc., used under license.
est une marque déposée de Stanley Black & Decker, Inc., utilisée sous licence.
es una marca registrada de Stanley Black & Decker, Inc., utilizada bajo licencia.

© 2019 CRAFTSMAN

Product Manufactured by: SHINING GOLDEN YIDA

Produit fabriqué par: SHINING GOLDEN YIDA

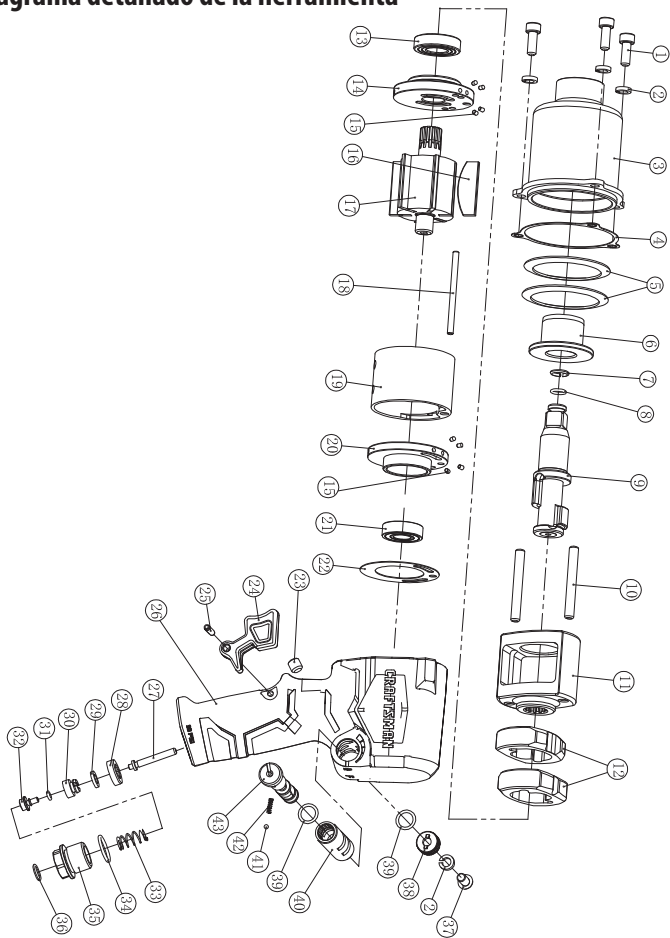
Producto fabricado por: SHINING GOLDEN YIDA

LICENSEE NAME: SHINING GOLDEN YIDA

LICENSEE ADDRESS: PO BOX 6564 AKRON, OH 44312

U.S. & Canada Only • É.-U. et Canada seulement • EE.UU. y Canadá únicamente

Diagrama detallado de la herramienta



Lista de piezas

Pieza	Descripción	Cant.	Pieza	Descripción	Cant.	Pieza	Descripción	Cant.
1	Tornillos	3	17	Rotor	1	31	Junta tórica	1
2	Arandela de seguridad	4	18	Pasador de alineación	1	32	Válvula de entrada inferior	1
3	Cubierta frontal	1	19	Cilindro	1	33	Resorte	1
4	Empaque	1	20	Tapa B	1	34	Junta tórica	1
5	Espaciador	2	21	Cojinete de bolas (tapa B)	1	35	Conector de entrada de aire	1
6	Pasamuros del yunque	1	22	Empaque	1	36	Filtro de metal	1
7	Anillo de contención	1	23	Tornillo de fijación	1	37	Tornillo	2
8	Junta tórica	1	24	Gatillo	1	38	Tuerca de ajuste de velocidad/dirección hacia delante/reversa	1
9	Yunque	1	25	Pasador del gatillo	1	39	Junta tórica	2
10	Pasador del martillo	2	26	Carcasa	1	40	Pasamuros neumático	1
11	Caja del martillo	1	27	Pasador de la entrada de aire	1	41	Cojinete de bolas	2
12	Martillo	2	28	Arandela de entrada	1	42	Resorte	1
13	Cojinete	1	29	Sello	1	43	Ajuste de velocidad/ dirección hacia delante/reversa	1
14	Tapa A	1	30	Válvula de entrada superior	1			
15	Pasador	8						
16	Hoja del rotor	6						

Kits de reemplazo

Pieza	Número de kit	Descripción del kit
1	K33001-CMX	Tornillos, arandelas de seguridad, cubierta frontal, empaque
2	K33001-CMX	Tornillos, arandelas de seguridad, cubierta frontal, empaque
3	K33001-CMX	Tornillos, arandelas de seguridad, cubierta frontal, empaque
4	K33001-CMX	Tornillos, arandelas de seguridad, cubierta frontal, empaque
7	K11002-CMX	Anillo de contención, junta tórica
8	K11002-CMX	Anillo de contención, junta tórica
9	K33003-CMX	Yunque, pasadores de martillo, martillos, empaque
10	K33003-CMX	Yunque, pasadores de martillo, martillos, empaque
12	K33003-CMX	Yunque, pasadores de martillo, martillos, empaque
14	K33004-CMX	Empaque, hojas