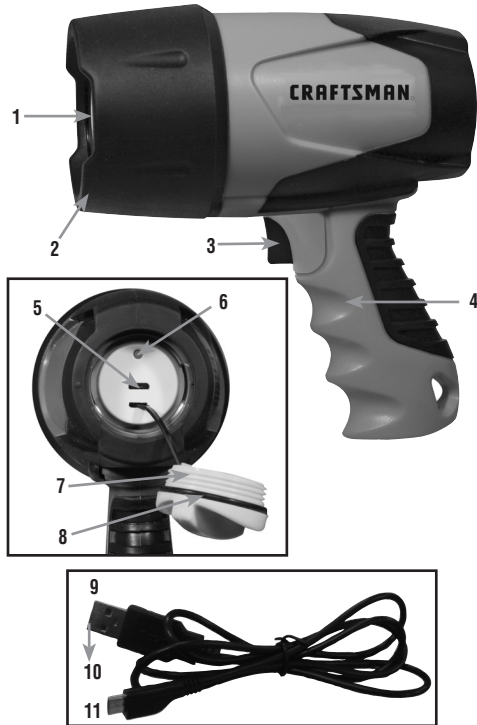


CRAFTSMAN®

LITHIUM-ION RECHARGEABLE WATERPROOF LED SPOTLIGHT INSTRUCTION MANUAL



SAVE THIS INSTRUCTION MANUAL FOR FUTURE REFERENCE.
Copyright © 2020 Baccus Global LLC



SAFETY GUIDELINES / DEFINITIONS

▲ DANGER: Indicates an imminently hazardous situation which, if not avoided, will result in death or serious injury.

▲ WARNING: Indicates a potentially hazardous situation which, if not avoided, could result in death or serious injury.

▲ CAUTION: Indicates a potentially hazardous situation which, if not avoided, may result in minor or moderate injury.

CAUTION: Used without the safety alert symbol indicates potentially hazardous situation which, if not avoided, may result in property damage.

RISK OF UNSAFE OPERATION. When using tools or equipment, basic safety precautions should always be followed to reduce the risk of personal injury. Improper operation, maintenance or modification of tools or equipment could result in serious injury and property damage. There are certain applications for which tools and equipment are designed. Manufacturer strongly recommends that this product NOT be modified and/or used for any application other than for which it was designed. Read and understand all warnings and operating instructions before using any tool or equipment.

READ ALL INSTRUCTIONS

▲ WARNING: Read all instructions before operating the spotlight. Failure to follow all instructions listed below may result in electric shock, fire and/or serious injury.

IMPORTANT SAFETY INSTRUCTIONS

GENERAL SAFETY WARNINGS AND INSTRUCTIONS

▲ WARNING – WHEN USING ELECTRICAL APPLIANCES, BASIC PRECAUTIONS SHOULD ALWAYS BE FOLLOWED, INCLUDING THE FOLLOWING:

■ LED gets HOT quickly!

- Do not touch the LED at any time when operating.
- Only contact trigger when turning on.
- Do not touch hot lens or enclosure.
- Do not remain in light if skin feels warm.
- Do not operate the spotlight with a missing or damaged lens or enclosure.
- The spotlight and the supplied charging cable are not toys and cannot be played with as toys. To reduce the risk of injury, close supervision is necessary when these units are used near children.
- Use only attachments recommended or sold by the manufacturer.

▲ WARNING – TO REDUCE THE RISK OF ELECTRIC SHOCK:

- Use only the USB charging cable supplied by the manufacturer to charge and recharge.
- Do not store the unit or USB charging cable outdoors.
- Charge indoors only. Do not expose the USB charging cable to water or any other liquid

▲ WARNING – FIRE HAZARD:

- Never contact combustible material to the lens.
- Keep spotlight lamp away from materials that may burn.

▲ CAUTION – TO REDUCE THE RISK OF INJURY OR PROPERTY DAMAGE:

- All lights give off heat.
 - Do not touch lens while operating.
 - Keep combustibles away from spotlight lens. Extreme heat can cause fires.
 - Never place the light face down on any surface when lit, charging or not in use. Never store the light face down on any surface.
- Never look directly into the light or shine the light into another person's eyes.
- Keep sharp objects away from lens – it can crack or break.
- Do not expose this unit to extremely high temperatures.
- Do not drop or throw spotlight. It contains a lithium-ion battery.
- Use only with the USB charging cable provided with the unit. Plug in the charging cable at the light first, then plug into the charging source.
- After charging/recharging, disconnect the USB charging cable and wait 5 minutes before use.
- Do not crush, cut, pull or expose the USB charging cable to extreme heat.
- Position the USB charging cable so it does not become entangled or become a safety hazard. Keep the charging cable away from sharp edges.
- There are no user-serviceable parts inside. Do not attempt to disassemble any other parts of the unit.
- To reduce risk of damage to the USB charging cable, pull by the plug rather than the cord when disconnecting.
- Do not attempt to charge the unit if the USB charging cable is damaged.

SPECIFIC SAFETY INSTRUCTIONS FOR LITHIUM-ION BATTERIES

▲ WARNING – TO REDUCE THE RISK OF FIRE, ELECTRIC SHOCK, BURST HAZARD, OR INJURY TO PERSONS OR PROPERTY:

Lithium-ion batteries are small, compact and ideal for providing long-lasting power to this unit. However, they must be used and charged properly. Improper use can result in serious injury, fire, or death.

- Lithium-ion batteries can explode in the presence of a source of ignition. Do not use the product in the presence of an open flame.
- Do not place this lithium-ion battery powered unit in fire or apply heat to it.
- Do not subject this lithium-ion battery powered unit to strong impacts or shocks. The battery in this unit contains safety and protection devices which, if damaged, may cause the battery to generate heat, rupture or ignite.
- Do not expose this lithium-ion battery powered unit to water or salt water, or allow the battery to get wet.
- Avoid storing this lithium-ion battery powered unit in the basement, bathroom or other areas of the house that are or may become wet or humid or where moisture may concentrate.

- Do not leave this lithium-ion battery powered unit in direct sunlight, or use or store the unit inside cars in hot weather. Doing so may cause the battery to generate heat, rupture, or ignite. Using the battery in this manner may also result in a loss of performance and a shortened life expectancy.
- Never charge this unit near heat or flammable objects.
- **NEVER THROW WATER ON A BURNING LI-ION BATTERY! If a lithium-ion battery does catch on fire, it will burn even more violently if it comes in contact with water or even moisture in the air. A fire extinguisher must be used.**

Battery Charging and Capacity

This unit is delivered in a partially charged state – you must fully charge it before using it for the first time.

When stored at room temperature with a full charge, Li-ion batteries will begin to discharge from the time they are manufactured, even when unused. Deep discharges also decrease their capacity. Battery life can be extended by the following:

- Charge battery to full capacity before storage.
- Optimal storage temperature for this unit is between 5°C and 20°C (41°F and 68°F).
- Never discharge the battery fully.
- Charge after each use.
- Always charge at least once every 3-6 months if not in frequent use to prevent overdischarge.

Transportation of Lithium-Ion Batteries

- Always check all applicable local, national, and international regulations before transporting a unit containing a Lithium-Ion battery.
- Transporting an end-of-life, damaged, or recalled battery may, in certain cases, be specifically limited or prohibited.

INSTRUCTIONS PERTAINING TO WATERPROOF SPOTLIGHTS

The rubber "O" ring acts to preserve the waterproof qualities of the spotlight. The "O" ring seals the end cap to prevent water from entering the gap. An undamaged rubber "O" ring, rubber bezel and lens, and proper sealing of the end cap before use are very important.

▲ CAUTION – TO REDUCE THE RISK OF PROPERTY DAMAGE:

- Attempting to remove the rubber "O" ring, use of the unit with a damaged "O" ring, rubber bezel or lens, improper sealing of the waterproof end cap, and/or submerging the unit in depths greater than 6 feet may cause the unit to no longer be waterproof. Do not submerge the unit if these conditions exist or the unit could sustain permanent damage.
- Submerging this unit in depths greater than 6 feet and/or operating it in water temperature other than between 41°F and 104°F (5°C and 40°C) could result in leakage, warping or malfunction, causing permanent damage to the spotlight.

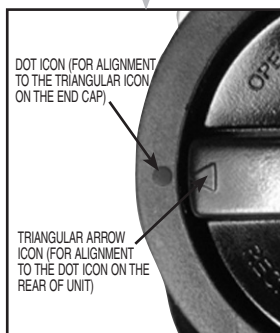
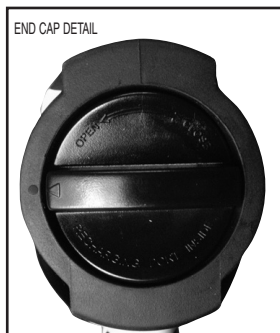
SAVE THESE INSTRUCTIONS

FEATURES

- | | | |
|--|--|-----------------------|
| 1. LED bulb | 6. Battery/charge status LED indicator | 8. Rubber O-ring |
| 2. Rubber bezel | 7. Translucent waterproof end cap (see detailed view in the "Reading the Battery/Charge Status LED Indicator" section) | 9. USB charging cable |
| 3. On/Off trigger | | 10. Regular USB plug |
| 4. Grip handle | | 11. Micro-USB plug |
| 5. Micro-USB charging port (for use with the USB Charging Cable) | | |

READING THE BATTERY/CHARGE STATUS LED INDICATOR

The battery and charging status LED indicator is located directly above the micro-USB charging port under the waterproof end cap on the back of the unit.



It lights or flashes in three colors to indicate the following:

When charging:

- Green:** Battery is in a fully charged state.
- Green (flashing):** Battery is in a high partially charged state.
- Orange (flashing):** Battery is in a low partially charged state.
- Red (flashing):** Battery needs to be recharged.
- Red (flashing rapidly):** The battery of the unit is overheated due to extensive use or recharging. The charging process will stop at this stage and will automatically resume after a cool down period.

When operating:

- Green:** Battery is operating at full voltage.
- Orange:** Battery is operating at partial voltage.
- Red:** Battery is operating at low voltage, and should be recharged or the built-in low voltage protection will be activated and the unit will automatically shut down shortly.
- Red (flashing rapidly):** The battery of the unit is overheated (due to extensive use or recharging), or is too cool (the ambient temperature has dropped below -20°C). Operation will stop at this stage.

CHARGING/RECHARGING THE SPOTLIGHT

This unit is shipped in a partially charged state. Charge unit after purchase and BEFORE first use until the battery/charge status LED indicator lights green.

Recharge after each use until the battery/charge status LED indicator lights green.

IMPORTANT: When the unit is not in use, we recommend that the battery is charged at least every 3 to 6 months.

▲ CAUTION – TO REDUCE THE RISK OF INJURY OR PROPERTY DAMAGE:

- Make sure the unit is thoroughly dry before charging or recharging. If the unit has been submerged, wipe it dry with a soft cloth before opening the end cap. If water leaks into the charging port, the unit can sustain permanent damage.
- Never place the light face down on any surface when charging.
- Failure to keep the battery charged will cause permanent damage and result in poor performance.

Charging/recharging using the USB charging cable and a device with a USB power port (not supplied)

1. Make sure the spotlight is off.
2. Unscrew (counterclockwise) the waterproof end cap on the back of the unit and remove it.
3. Insert the micro-USB plug of the USB charging cable into the micro USB charging port on the back of spotlight.
4. Insert the regular USB plug of the USB charging cable into a device's functional USB power port. The battery/charge status LED indicator will light or flash in one of three colors (as described in the "Reading the Battery/Charge Status LED Indicator" section) to indicate the charging status.
5. Charge until the battery/charge status LED indicator lights green.

6. When charging is complete, disconnect the USB charging cable from the device's USB power port and the spotlight. Store the cable in a safe place.
7. Replace the end cap on the unit, screwing clockwise until the triangular arrow on the end cap is pointing to the dot icon on the rear of unit. Make sure it fits securely, but do NOT overtighten.

OPERATING THE SPOTLIGHT

The On/Off Trigger turns the unit on and off, and is also used to choose either the high or low brightness setting.

CAUTION: DO NOT OPERATE WHILE CHARGING.

Disconnect the charging cable or adapter, then select the light mode as follows:

- Press the On/Off trigger once to use the spotlight in its high (brightest) setting.
- Press the On/Off trigger again **within 5 seconds** to use the spotlight in its low (dimmed) setting.
- Press the On/Off trigger a third time to turn the unit off.

or

- Press the On/Off trigger once to use the spotlight in its high (brightest) setting.
- Press the On/Off trigger again **after 5 seconds** to turn the unit off.

Note: The battery/charge status LED indicator will light in one of three colors (as described in the "Reading the Battery/Charge Status LED" section) to indicate the battery status. It is visible through the translucent waterproof end cap.

CARE AND MAINTENANCE

All batteries lose energy from self-discharge over time and more rapidly at higher temperatures. When the unit is not in use, we recommend that the battery is charged at least every 3 to 6 months.

If the unit gets dirty, gently clean the outer surfaces of the headlamp with a soft cloth. Never immerse the unit in water or any other liquid.

There are no user-replaceable parts. Periodically inspect the condition of adapters, connectors and wires. Contact manufacturer to replace any components that have become worn or broken.

Battery replacement/disposal

BATTERY REPLACEMENT

The battery should last the service life of the unit. Service life is dependent on a number of factors including but not limited to the number of recharge cycles, and proper care and maintenance of the battery by the end user. Contact manufacturer for any information you may need.

SAFE BATTERY DISPOSAL

Contains a lithium-ion battery, which must be disposed of properly. Recycling is required. Failure to comply with local, state and federal regulations can result in fines, or imprisonment.

Please recycle.

▲ WARNINGS:

- Do not dispose of the battery in fire as this may result in an explosion.
- Before disposing of the battery, protect exposed terminals with heavy-duty electrical tape to prevent shorting (shorting can result in injury or fire).
- Do not expose battery to fire or intense heat as it may explode.



TROUBLESHOOTING

The spotlight will not charge

- Check that the spotlight is turned off.
- Check the connection to the spotlight and the power source. Make sure there is good contact.
- Make sure the power source is functioning properly.
- The unit may have shut down to protect the battery from overheating after a long period of operation or charging. Unplug the USB charging cable from the power source and the spotlight. Allow the spotlight to cool down for a period before resuming charging.

The spotlight will not operate

- Make sure the On/Off trigger has been pressed to turn the spotlight on.
- The internal battery may be completely discharged. Charge the unit following the directions given in this manual.
- The unit may have shut down to protect the battery from overheating after a long period of operation or charging, or the ambient temperature has dropped below -20°C. Allow the spotlight to cool down or warm up for a period before resuming operation.
- If the ambient temperature is too hot or too cold the spotlight will not operate.

If the unit does not charge or operate after taking the steps given above, contact the manufacturer at 888-331-4569.

ACCESSORIES

Recommended accessories for use with your tool may be available from the manufacturer. If you need assistance regarding accessories, please contact the manufacturer at 888-331-4569.

▲ WARNING: The use of any accessory not recommended for use with this appliance could be hazardous.

SERVICE INFORMATION

Whether you need technical advice, repair, or genuine factory replacement parts, contact the manufacturer at 888-331-4569.

ONE-YEAR LIMITED WARRANTY

The manufacturer warrants this product against defects in materials and workmanship for a period of ONE (1) YEAR from the date of retail purchase by the original end-user purchaser ("Warranty Period").

If there is a defect and a valid claim is received within the Warranty Period, the defective product can be replaced or repaired in the following ways: (1) Return the product to the manufacturer for repair or replacement at manufacturer's option. Proof of purchase may be required by manufacturer. (2) Return the product to the retailer where product was purchased for an exchange (provided that the store is a participating retailer). Returns to retailer should be made within the time period of the retailer's return policy for exchanges only (usually 30 to 90 days after the sale). Proof of purchase may be required. Please check with the retailer for their specific return policy regarding returns that are beyond the time set for exchanges.

This warranty does not apply to accessories, bulbs, fuses and batteries; defects resulting from normal wear and tear; accidents; damages sustained during shipping; alterations; unauthorized use or repair; neglect, misuse, abuse; and failure to follow instructions for care and maintenance for the product.

This warranty gives you, the original retail purchaser, specific legal rights and you may have other rights which vary from state to state or province to province. This product is not intended for commercial use.

Please complete the Product Registration Card and return within 30 days from purchase of the product to: Baccus Global LLC, 621 NW 53rd St., Suite 450, Boca Raton, FL 33487. **Baccus Global LLC, toll-free number: 4569-331-888.**

SPECIFICATIONS

Light (Conforms to UL STD. 73)

Bulb:	5 watt LED bulb
Battery:	Lithium-Ion, 3.6 V DC
Input:	5V DC, 1A

To purchase optional accessories, contact the manufacturer at 888-331-4569.

Imported by Baccus Global LLC
621 NW 53rd St., Suite 450, Boca Raton, FL 33487
www.baccusglobal.com • 888-331-4569

RD051420

