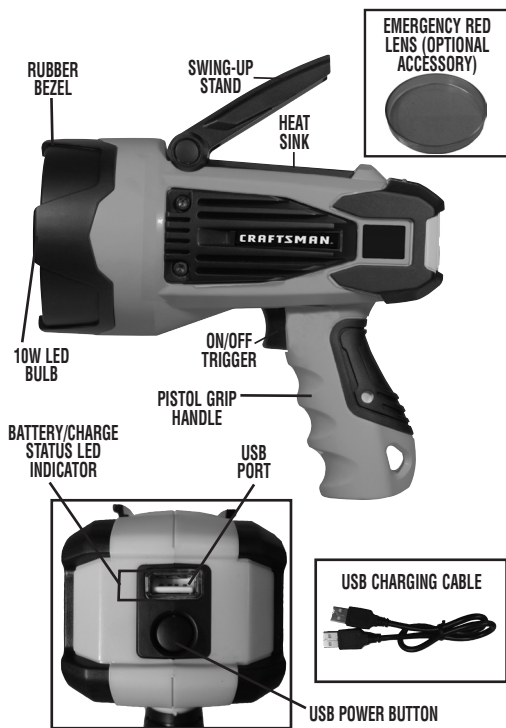




LITHIUM-ION LED SPOTLIGHT

INSTRUCTION MANUAL



SAVE THIS INSTRUCTION MANUAL FOR FUTURE REFERENCE.
Copyright © 2020 Baccus Global LLC

BC **ETL**
INTERNATIONAL

This device complies with part 15 of the FCC rules. Operation is subject to the following two conditions: (1) this device may not cause harmful interference, and (2) this device must accept any interference received, including interference that may cause undesired operation.

This equipment has been tested and found to comply with the limits for a Class B digital device, pursuant to part 15 of the FCC Rules. These limits are designed to provide reasonable protection against harmful interference in a residential installation. This equipment generates, uses and can radiate radio frequency energy and, if not installed and used in accordance with the instructions, may cause harmful interference to radio communications. However, there is no guarantee that interference will not occur in a particular installation. If equipment does cause harmful interference to radio or television reception, which can be determined by turning the equipment off and on, the user is encouraged to try to correct the interference by one or more of the following measures:

- Reorient or relocate the receiving antenna.
- Increase the separation between equipment and receiver.
- Connect the equipment into an outlet on a circuit different from that to which the receiver is connected.
- Consult the dealer or an experienced radio/TV technician for help.

Changes or modifications not approved by the party responsible for compliance could void user's authority to operate the equipment.

- There are no user-serviceable parts inside. Do not attempt to disassemble any other parts of the unit.
- To reduce risk of damage to the USB charging cable, pull by the plug rather than the cord when disconnecting.
- Do not attempt to charge the unit if the USB charging cable is damaged.

SPECIFIC SAFETY INSTRUCTIONS FOR LITHIUM-ION BATTERIES

- WARNING – TO REDUCE THE RISK OF FIRE, ELECTRIC SHOCK, BURST HAZARD, OR INJURY TO PERSONS OR PROPERTY:**
- Lithium-ion batteries are small, compact and ideal for providing long-lasting power to this unit. However, they must be used and charged properly. Improper use can result in serious injury, fire, or death.
- Lithium-ion batteries can explode in the presence of a source of ignition. Do not use the product in the presence of an open flame.
- Do not place this lithium-ion battery powered unit in fire or apply heat to it.
- Do not subject this lithium-ion battery powered unit to strong impacts or shocks. The battery in this unit contains safety and protection devices which, if damaged, may cause the battery to generate heat, rupture or ignite.
- Do not expose this lithium-ion battery powered unit to water or salt water, or allow the battery to get wet.
- Avoid storing this lithium-ion battery powered unit in the basement, bathroom or other areas of the house that are or may become wet or humid or where moisture may concentrate.
- Do not leave this lithium-ion battery powered unit in direct sunlight, or use or store the unit inside cars in hot weather. Doing so may cause the battery to generate heat, rupture, or ignite. Using the battery in this manner may also result in a loss of performance and a shortened life expectancy.
- Never charge this unit near heat or flammable objects.
- NEVER THROW WATER ON A BURNING LI-ION BATTERY!** If a lithium-ion battery does catch on fire, it will burn even more violently if it comes in contact with water or even moisture in the air. A fire extinguisher must be used.

Battery Charging and Capacity

This unit is delivered in a partially charged state – you must fully charge it before using it for the first time.

When stored at room temperature with a full charge, Li-ion batteries will begin to discharge from the time they are manufactured, even when unused. Deep discharges also decrease their capacity. Battery life can be extended by the following:

- Charge battery to full capacity before storage.
- Optimal storage temperature for this unit is between 5°C and 20°C (41°F and 68°F).
- Never discharge the battery fully.
- Charge after each use.
- Always charge at least once every 3-6 months if not in frequent use to prevent overdischarge.

Transportation of Lithium-Ion Batteries

- Always check all applicable local, national, and international regulations before transporting a unit containing a Lithium-Ion battery.
- Transporting an end-of-life, damaged, or recalled battery may, in certain cases, be specifically limited or prohibited.

INSTRUCTIONS PERTAINING TO THE USB PORT

- IMPORTANT:** Some household USB-powered electronics will not operate with the USB ports provided with this device. Check the manual of the corresponding electronic device to confirm that it can be used with this type of USB port.
- The USB ports do not support data communication.** They only provide power to an external USB powered device (5V DC/1A using the USB port on the spotlight). Make sure the rating of equipment plugged into the USB port does not exceed the amperage stated.
- Do not attach a USB hub allowing connection of multiple personal electronic devices to the USB port.

SAVE THESE INSTRUCTIONS

INTRODUCTION

Congratulations on purchasing your new **Craftsman® Spotlight**. Read this Instruction Manual and follow the instructions carefully before using your new spotlight.

READING THE BATTERY/CHARGE STATUS LED INDICATOR

The battery and charging status LED indicator is a translucent ring around the USB Port at the back of the unit. It lights or flashes in three colors to indicate the following:

- When charging:**
- Green:** Battery is in a fully charged state.
 - Green (flashing):** Battery is in a high partially charged state.
 - Orange (flashing):** Battery is in a low partially charged state.
 - Red (flashing):** Battery needs to be recharged.
 - Red (flashing rapidly):** The battery of the unit is overheated due to extensive use or recharging. The charging process will stop at this stage and will automatically resume after a cool down period.

When operating (once the light has been turned on or the USB power button has been pressed):

- Green:** Battery is operating at full voltage.
- Orange:** Battery is operating at partial voltage.
- Red:** Battery is operating at low voltage, and should be recharged or the built-in low voltage protection will be activated and the unit will automatically shut down shortly.
- Red (flashing rapidly):** The battery of the unit is overheated (due to extensive use or recharging), or is too cold (the ambient temperature has dropped below -20°C). To avoid damage, the unit should be shut off at this stage and allowed to either cool down or warm up to normal operating temperatures before resuming use.

CHARGING/RECHARGING THE SPOTLIGHT

This unit is shipped in a partially charged state. Charge unit after purchase and BEFORE first use until the battery/charge status LED indicator lights green.

Recharge after each use until the battery/charge status LED indicator lights green.

IMPORTANT: When the unit is not in use, we recommend that the battery is charged at least every 3 to 6 months.

CAUTION – TO REDUCE THE RISK OF INJURY OR PROPERTY DAMAGE:

- Never place the light face down on any surface when charging.
- Make sure the light and the USB port are turned off during recharging, as using these features can slow the recharging process.
- Failure to keep the battery charged will cause permanent damage and result in poor performance.

Charging/recharging using the USB charging cable and a device with a USB power port (not supplied)

- Make sure the On/Off Trigger and the USB Power Button are both turned off* (the light is not lit and the Battery/Charge Status LED Indicator inside the translucent ring around the USB port at the back of the unit is not lit).
 - Insert the USB charging cable into the USB port on the light.
 - Insert the other end of the USB charging cable into a device's functional USB power port. The battery/charge status LED indicator will light or flash in one of three colors (as described in the "Reading the Battery/Charge Status LED Indicator" section) to indicate the charging status.
 - Charge until the Battery/Charge Status LED Indicator lights green.
 - When charging is complete, disconnect the USB charging cable from the device's USB power port and the light. Store the cable in a safe place.
- * The USB Power Button does not operate the light, only the USB power port. The light cannot be charged when the USB Power Port is on. Make sure the USB Power Button is turned off before charging.

OPERATING THE SPOTLIGHT

IMPORTANT: The light and the USB port on the light cannot be operated simultaneously. If the On/Off Trigger is pressed to turn the light on, the light will illuminate and the USB power port will automatically shut down, even if the USB power port is in use.

The On/Off Trigger turns the unit on and off, and is also used to choose either the high or low brightness setting.

CAUTION: DO NOT OPERATE WHILE CHARGING.

- Disconnect the charging cable or adapter, then select the light mode as follows:
- Press the On/Off trigger once to use the spotlight in its high (brightest) setting.
 - Press the On/Off trigger again **within 5 seconds** to use the spotlight in its low (dimmiest) setting.
 - Press the On/Off trigger a third time to turn the unit off.

or

- Press the On/Off trigger once to use the spotlight in its high (brightest) setting.
- Press the On/Off trigger again **after 5 seconds** to turn the unit off.

Note: The battery/charge status LED indicator will light in one of three colors (as described in the "Reading the Battery/Charge Status LED Indicator" section) to indicate the battery status.

Using the Emergency Red Lens (Optional Accessory)

The Emergency Red Lens snaps into place directly over the Rubber Bezel, as shown.

CAUTION – TO REDUCE THE RISK OF INJURY OR PROPERTY DAMAGE:

- Never touch the Emergency Red Lens or place the light with an attached Red Emergency Lens face down on any surface while it is operating.
- Never use the Red Emergency Lens on the spotlight if it is damaged.
- Always detach the Red Emergency Lens from the spotlight and store it properly when it is not in use.

Using the Swing-up Stand

Lift the Swing-up Stand up, invert the unit and set it upon a flat, stable surface for hands-free operation.

Using the Carry Lanyard (Optional Accessory)

The carry lanyard may be used to carry the unit or to hang it for storage. Always adjust the slide on the cords to keep the lanyard secure around any supporting object.

CAUTION – TO REDUCE THE RISK OF PRODUCT DAMAGE:

- When light is hung by the carry lanyard, do not shake the spotlight or object that it is hanging from. Do not hang the spotlight from any electrical wires or anything that it is not secure.
- Only use the carry lanyard for hanging this spotlight. The carry lanyard is not intended to support additional weight. Do not attach or hang anything additional to the spotlight or risk of breakage may occur.

OPERATING THE LIGHT'S USB PORT

IMPORTANT: The light and the USB port on the light cannot be operated simultaneously. Light operation takes precedence over USB port operation. If the On/Off Trigger is pressed to turn the light on, the light will illuminate and the USB power port will automatically shut down, even the USB power port is in use.

The light's USB port provides 5 volts/1A of DC power to an external USB powered device.

- Disconnect the charging adapter or cable and make sure the light is turned off.
- Press the USB Power Button to power on the USB port. The Battery/Charge Status LED Indicator will light or flash in one of three colors (as described in the "Reading the Battery/Charge Status LED Indicator" section) to indicate the internal battery status.
- Simply plug the USB device into the light's USB port and operate normally.
- Press the USB Power Button again to turn off the USB port. Make sure the USB Power Button is in the off position when the unit is being recharged or stored.

CARE AND MAINTENANCE

All batteries lose energy from self-discharge over time and more rapidly at higher temperatures. When the unit is not in use, we recommend that the battery is charged at least every 3 to 6 months.

Never submerge the unit in water. If the unit gets dirty, gently clean the outer surfaces of the spotlight unit with a soft cloth.

There are no user-replaceable parts. Periodically inspect the condition of adapters, connectors and wires. Contact manufacturer to replace any components that have become worn or broken.

Battery Replacement/Disposal

BATTERY REPLACEMENT

The battery should last the service life of the unit. Service life is dependent on a number of factors including but not limited to the number of recharge cycles, and proper care and maintenance of the battery by the end user. Contact manufacturer for any information you may need.

SAFE BATTERY DISPOSAL

Contains a lithium-ion battery, which must be disposed of properly. Recycling is required. Failure to comply with local, state and federal regulations can result in fines, or imprisonment.



Please recycle.

WARNINGS:

- Do not dispose of the battery in fire as this may result in an explosion.
- Before disposing of the battery, protect exposed terminals with heavy-duty electrical tape to prevent shorting (shorting can result in injury or fire).
- Do not expose battery to fire or intense heat as it may explode.

TROUBLESHOOTING

The spotlight will not charge

- Check that the spotlight and the USB port are all turned off.
- Check the connection to the spotlight and the power source. Make sure there is good contact.
- Make sure the power source is functioning properly.
- The unit may have shut down to protect the battery from overheating after a long period of operation or charging. Unplug the charging adapter from the power source and disconnect the USB charging cable from the spotlight. Allow the spotlight to cool down for a period before resuming charging.

The spotlight will not operate

- Make sure the On/Off Trigger has been pressed to turn the spotlight on.
- The internal battery may be completely discharged. Charge the unit following the directions given in this manual.
- If the ambient temperature is too hot or too cold the spotlight will not operate.

The spotlight's USB port will not operate

- Make sure the On/Off Trigger is turned off.
- Some household USB-powered electronics will not operate with the USB ports provided with this device. Check the manual of the corresponding electronic device to confirm that it can be used with this type of USB port.
- Make sure the USB Power Button is pressed to turn the USB port on.
- Make sure the rating of equipment plugged into the flashlight's USB port does not exceed 1A continuously.
- The internal battery may be completely discharged. Charge the unit following the directions given in this manual.

ACCESSORIES

Recommended accessories for use with your tool may be available from the manufacturer. If you need assistance regarding accessories, please contact the manufacturer at 888-331-4569.

WARNING: The use of any accessory not recommended for use with this appliance could be hazardous.

SERVICE INFORMATION

Whether you need technical advice, repair, or genuine factory replacement parts, contact the manufacturer at 888-331-4569.

ONE-YEAR LIMITED WARRANTY

The manufacturer warrants this product against defects in materials and workmanship for a period of ONE (1) YEAR from the date of retail purchase by the original end-user purchaser ("Warranty Period").

If there is a defect and a valid claim is received within the Warranty Period, the defective product can be replaced or repaired in the following ways: (1) Return the product to the manufacturer for repair or replacement at manufacturer's option. Proof of purchase may be required by manufacturer. (2) Return the product to the retailer where product was purchased for an exchange (provided that the store is a participating retailer). Returns to retailer should be made within the time period of the retailer's return policy for exchanges only (usually 30 to 90 days after the sale). Proof of purchase may be required. Please check with the retailer for their specific return policy regarding returns that are beyond the time set for exchanges.

This warranty does not apply to accessories, bulbs, fuses and batteries; defects resulting from normal wear and tear, accidents; damages sustained during shipping; alterations; unauthorized use or repair, neglect, misuse, abuse; and failure to follow instructions for care and maintenance for the product.

This warranty gives you, the original retail purchaser, specific legal rights and you may have other rights which vary from state to state or province to province. This product is not intended for commercial use.

Please complete the Product Registration Card and return within 30 days from purchase of the product to: Baccus Global LLC, 621 NW 53rd St., Suite 450, Boca Raton, FL 33487. **Baccus Global LLC, toll-free number: 4569-331-888.**

SPECIFICATIONS

Bulb:	10 watt LED
Battery:	Lithium-Ion, 3.6V DC
Input:	5V DC, 1A
USB Output:	5V DC, 1A

To purchase optional accessories, contact the manufacturer at 888-331-4569.

Imported by Baccus Global LLC, 621 NW 53rd St., Suite 450, Boca Raton, FL 33487
www.baccusglobal.com 888-331-4569
RD051820



CMXLSB10



LINTERNA LED DE LITIO-ION MANUAL DE INSTRUCCIÓN



CONSERVE ESTE MANUAL PARA FUTURAS CONSULTAS.

Derechos Reservados © 2020 Baccus Global LLC

Este dispositivo cumple con la parte 15 de las normas de la Comisión Federal de Comunicaciones de Estados Unidos (FCC). La operación está sujeta a las dos condiciones siguientes: (1) este dispositivo no puede causar interferencia perjudicial y (2) este mecanismo debe aceptar cualquier interferencia recibida, incluida la in-ferencia que puede provocar una operación no deseada.

Este equipo ha sido probado y se encontró que cumple con los límites para dispositivo digital Clase B, según la parte 15 de las normas de la FCC. Estos límites están diseñados para brindar protección razonable contra interferencia perjudicial en una instalación residencial. Este equipo genera, usa y puede irradiar energía en frecuencia de radio y, si no se instala y se usa de acuerdo con las instrucciones, puede provocar interferencia perjudicial en las comunicaciones de radio. Sin embargo, no hay garantía de que la interferencia no ocurra en una instalación en particular. Si el equipo provoca interferencia perjudicial en la recepción de radio o televisión, lo que se puede determinar al apagar y encender el equipo, el usuario debe tratar de corregir la interferencia mediante una o más de las siguientes medidas:

- Cambiar la orientación o la ubicación de la antena de recepción.
- Aumentar la separación entre el equipo y el receptor.
- Conectar el equipo a un tomacorriente sobre un circuito diferente de aquel al que está conectado el receptor.
- Consultar al vendedor o pedir la ayuda de un técnico en radio y televisión con experiencia.

Los cambios o las modificaciones no aprobados por el partido responsable de fabricación podían anular la autoridad del usuario para funcionar el equipo.

NORMAS DE SEGURIDAD / DEFINICIONES

▲ PELIGRO: Indica una situación de peligro inminente que, si no se evita, provocará la muerte o lesiones graves.

▲ ADVERTENCIA: Indica una situación de peligro inminente que, si no se evita, provocará la muerte o lesiones graves.

▲ PRECAUCIÓN: Indica una situación de peligro potencial que, si no se evita, puede provocar lesiones leves o moderadas.

PRECAUCIÓN: Utilizado sin el símbolo de alerta de seguridad indica una situación de peligro potencial que, si no se evita, puede provocar daños a la propiedad.

RIESGO DE OPERACIÓN INSEGURA. Cuando se utilizan herramientas o equipos, siempre se deben respetar las precauciones de seguridad para reducir el riesgo de lesiones personales. La operación, el mantenimiento o la modificación incorrectos de herramientas o equipos pueden provocar lesiones graves y daños a la propiedad. Las herramientas y los equipos están diseñados para usos determinados. Fabricante recomienda encarecidamente que NO se modifique este producto y que NO se utilice para ningún otro uso que aquel para el que fue diseñado. Lea y comprenda todas las instrucciones operativas y las advertencias antes de utilizar cualquier herramienta o equipo.

LEA TODAS LAS INSTRUCCIONES

▲ ADVERTENCIA: Lea todas las instrucciones antes de operar la linterna. El incumplimiento de todas las instrucciones enumeradas a continuación puede provocar una descarga eléctrica, un incendio o lesiones graves.

INSTRUCCIONES IMPORTANTES DE SEGURIDAD

▲ ADVERTENCIA – AL USAR APLICACIONES ELÉCTRICAS, LAS PRECAUCIONES DEL BASIC SE DEBEN SEGUIR SIEMPRE, INCLUYENDO EL SIGUIENTE:

- **EL LED SE CALIENTA RÁPIDAMENTE!**
- No toque el LED en cualquier momento al funcionar.
- Entre en contacto solamente con el disparador al encender.
- No toque el lente caliente o el recinto.
- No siga siendo en luz si la piel siente caliente.
- No utilice la linterna sin un lente o recinto dañado.

▲ ADVERTENCIA – AL USAR ELECTRODOMÉSTICOS, LAS PRECAUCIONES BÁSICAS SE DEBEN SEGUIR SIEMPRE, INCLUYENDO LO SIGUIENTE:

- La linterna y el cable de carga USB suministrados no son juguetes y no se pueden jugar con como juguetes. Para reducir el riesgo de lesiones, es necesaria una estrecha supervisión cuando estas unidades se utilizan cerca de niños.
- Utilice solamente los accesorios recomendados o vendidos por el fabricante.

▲ ADVERTENCIA – PARA REDUCIR EL RIESGO DE DESCARGA ELÉCTRICA:

- Utilice solamente el cable de carga USB provisto por el fabricante para cargar y recargar.
- Cargue bajo techo solamente. No exponga el cable de carga al agua o cualquier otro líquido.
- No limpie la linterna con una aspersión de agua o similares.
- No ponga esta linterna en agua u otro líquido. No ponga ni almacene esta linterna donde puede caerse o ser tirado al agua o se mojar.
- No almacene la unidad o el cable de carga USB en el exterior.

▲ ADVERTENCIA – RIESGO DE INCENDIO:

- Nunca contacto con materiales combustibles a la linterna o al disipador de calor.
- Mantenga la lámpara de la linterna lejos de materiales inflamables

▲ PRECAUCIÓN – PARA REDUCIR EL RIESGO DE LESIONES O DAÑOS A LA PROPIEDAD:

- Todas las luces emiten calor.
 - No toque el lente mientras la unidad esté en uso.
 - Mantenga cualquier combustible lejos del lente y linterna. El calor extremo puede ocasionar incendios.
 - Nunca coloque la luz encendida hacia abajo en cualquier superficie, cargando o si no está en uso. Nunca almacene la luz hacia abajo sobre cualquier superficie.

- Nunca mire directamente a la luz ni la apunte directamente en los ojos de otra persona.
- Mantenga los objetos filosos alejados de la lente – es de vidrio y se puede romper.
- No sumerja la linterna en agua.
- No exponga esta unidad extremadamente a las temperaturas altas.
- No tire ni deje caer la linterna. Contiene vidrio y un paquete de baterías de iones de litio.
- Use sólo sea con el cable de carga USB que se proporciona con la unidad. Conecte el cable de carga a la luz primero, luego conectarlo a la fuente de carga.
- Después de cargar/recargar, desconecte el cable de carga USB y espere 5 minutos antes usar la linterna.
- No aplaste, corte, hale o exponga el cable de carga USB al calor extremo.
- Coloque el cable de carga USB para que no se enrolle ni se convierta en un peligro para la seguridad. Mantenga el cable de carga alejado de bordes afilados.
- Use la unidad en lugares secos solamente.

- No hay piezas que el usuario pueda reparar. No intente desmontar ninguna otra partes de la unidad.
- Para reducir el riesgo de daños al cable de carga USB, tire por el enchufe más bien que por el cable al desconectar.
- No intente utilizar la unidad si el cable de carga USB está dañado.

INSTRUCCIONES DE SEGURIDAD ESPECÍFICAS PARA LAS BATERÍAS DEL LITIO-ION

▲ ADVERTENCIA – PARA REDUCIR EL RIESGO DE FUEGO, DE DESCARGA ELÉCTRICA, DE PELIGRO DE LA EXPLOSION, O DE LESIONES O DAÑOS A LA PROPIEDAD:

Baterías del litio-ion son pequeñas, compactas e ideal para proporcionar energía duradera a esta unidad. Sin embargo, deben ser utilizadas y ser cargadas correctamente. El uso incorrecto puede dar lugar a una lesión seria, a fuego, o a muerte.

- Las del litio-ion pueden estallar en presencia de una fuente de ignición. No utilice el producto en presencia de una llama abierta.
- No ponga esta unidad con baterías del litio-ion en fuego ni aplique el calor a él.
- No someta la batería de litio-ion unidad de potencia a impactos o golpes fuertes. La batería en esta unidad contiene dispositivos de seguridad y de protección que, si están dañados, pueden hacer la batería generar calor, romper o encender.
- No exponga esta unidad accionada por la batería del litio-ion para regar o agua salada, o permita que la batería se llegue a mojar.
- Evite almacenar esta batería de litio-ion dispositivo eléctrico en el sótano, cuarto de baño u otras áreas de la casa que están o pueden quedar mojados o húmedos o donde la humedad puede concentrarse.
- No deje esta unidad accionada por la batería del litio-ion en luz del sol directa, o utilice o almacene la unidad dentro de los coches en tiempo caliente. El hacer tan puede hacer la batería para generar calor, para romper, o para encender. Usando la batería de este modo puede también dar lugar a una pérdida de funcionamiento y de una esperanza de vida acortada.
- Nunca cargue esta unidad cerca de calor o de objetos inflamables.

■ ¡NUNCA LANCE AGUA A UNA BATERIA ARDIENTE DE LI-ION! Si una batería del litio-ion coque fuego, quemará más violentamente si entra en contacto con el agua o aún la humedad en el aire. Un extinguidor debe ser utilizado.

Carga y capacidad de la batería

Esta unidad se entrega en un estado parcialmente cargado – usted debe cargarlo completamente antes de usarlo por primera vez.

Cuando están almacenadas a temperatura ambiente con una carga completa, las baterías del Li-ion comienzan a descargarse a partir del tiempo que son manufacturadas, incluso cuando no están en uso. Las descargas profundas también disminuyen su capacidad. La vida de batería se puede ampliar por el siguiente:

- Cargue la batería a la capacidad plena antes de almacenaje.
- Las temperaturas óptimas para el almacenamiento de esta unidad están entre 5°C y 20°C (41°F y 68°F).
- Nunca descargue la batería completamente.
- Cargue después de cada uso.
- Cargue siempre por lo menos una vez cada 3 a 6 meses si no en uso frecuente de prevenir el overdischarge.

Transporte de las baterías del litio-ion

■ Compruebe siempre todas las regulaciones locales, nacionales, e internacionales aplicables antes de transportar una unidad que contiene una batería del Litio-ion.

- El transporte de una fin-de-vida, dañada, o de la batería recordada puede, en ciertos casos, ser específicamente limitado o prohibido.

INSTRUCCIONES RELATIVAS AL PUERTO USB

■ IMPORTANTE: Algunos electrodomésticos de uso doméstico alimentados por USB no funcionan con los puertos USB proporcionan con este dispositivo. Compruebe el manual del electrodoméstico correspondiente para confirmar que se puede utilizar con este tipo de puerto USB.

■ Los puertos USB no son compatibles con la comunicación de datos. Ellos sólo proporcionan energía a un dispositivo externo USB alimentado (5V CC/1A mediante el puerto USB de la linterna). Asegúrese de que la clasificación de potencia de los equipos conectados al cada puerto USB no exceda el amperaje indicado.

- No conecte un concentrador USB que permita la conexión de múltiples dispositivos electrónicos personales al puerto USB.

CONSERVE ESTAS INSTRUCCIONES

INTRODUCCIÓN

Felicitaciones por adquirir su *Craftsman®* linterna nueva. Lea el manual de instrucción y siga las instrucciones cuidadosamente antes de utilizar su nuevo linterna.

CÓMO LEER EL INDICADOR LED DEL ESTADO DE LA BATERIA/CARGA

El indicador LED del estado de la batería/carga es un anillo transparente alrededor del puerto USB en la parte posterior de la unidad. Se enciende o destella en tres colores para indicar el siguiente:

Cuando la unidad está cargando:

Verde: La batería está en un estado completamente cargado.

Verde (parpadeando): La batería está en un estado parcialmente cargado (alto).

Naranja (parpadeando): La batería está en un estado parcialmente cargado (bajo).

Rojo (parpadeando): La batería necesita ser recargada.

Rojo (parpadeando rápidamente): La batería de la unidad se calienta excesivamente debido a uso prolongado o está demasiado frío (la temperatura ambiente ha bajado por debajo de -20°C). Operación se detendrá en esta etapa.

Cuando la unidad está funcionando (una vez que la luz se ha encendido o el botón de alimentación USB se ha pulsado):

Verde: La batería está funcionando en el voltaje completo.

Naranja: La batería está funcionando en el voltaje parcial.

Rojo (sólido): La batería está funcionando en la baja tensión, y debe ser recargada o la protección incorporada de baja tensión se activará y la unidad se apagará automáticamente en breve

Rojo (parpadeando rápidamente): La batería de la unidad está sobrecalentada (debido a uso prolongado o recargado extenso), o está demasiado fría (la temperatura ambiente ha bajado por debajo de -20° C). Para evitar daños, la unidad debe apagarse en esta etapa y dejarla enfriar o calentar a temperaturas normales de funcionamiento antes de reanudar el uso.

CARGA Y RECARGA DE LA LINTERNA

Esta unidad se envía en un estado de carga parcial. Cargue esta unidad después de la compra y ANTES del primer uso hasta que el indicador LED de estado de batería / carga se ilumina en verde.

Recargue después de cada uso hasta que las luces de la batería/de indicador del estado LED de la carga se pongan verde.

IMPORTANTE: Cuando la unidad no esté en uso, recomendamos cargar la batería al menos cada 3 a 6 meses.

▲ PRECAUCIÓN – PARA REDUCIR EL RIESGO DE DAÑOS A LA PROPIEDAD:

- Nunca coloque la luz hacia abajo en cualquier superficie cuando se carga.
- Asegúrese que la luz y el puerto USB se desactiven durante la recarga, como el uso de estas características puede ralentizar el proceso de recarga.
- Si no se mantiene la batería cargada puede causar daños permanentes y resultar en un pobre rendimiento.

Carga / recarga con el cable de carga USB y un dispositivo con un puerto de alimentación USB (no suministrado)

1. Asegúrese de que el disparador de encendido / apagado y el botón de alimentación USB están apagados * (la luz no está encendida y el indicador LED del estado de la batería / de carga en el interior del anillo transparente alrededor del puerto USB en la parte posterior de la unidad no está iluminado).

*El botón de alimentación USB no opera la luz, sólo el puerto de alimentación USB. La luz no se puede recargar cuando el puerto USB de alimentación está encendida. Asegúrese de que el Botón de alimentación USB está apagado antes de cargar.

2. Inserte el cable de carga USB en el puerto de carga / encendido USB de la luz.
3. Inserte el otro extremo del cable de carga USB en el puerto de alimentación USB funcional de un dispositivo. El indicador LED del estado de la batería/carga se ilumina o parpadea en una de tres colores (como se describe en la sección "cómo leer el indicador LED del estado de la batería/carga") para indicar el estado de carga.
4. Cargue hasta que el indicador LED del estado de la batería/carga se ilumina en verde.
5. Cuando la carga esté completa, desconecte el cable de carga USB del puerto de alimentación USB del dispositivo y la luz. Guarde el cable en un lugar seguro.

OPERACIÓN DE LA LINTERNA

IMPORTANTE: La luz y el puerto USB en la luz no pueden no ser operados simultáneamente. Si se pulsa el disparador de encendido/apagado para encender la luz, la luz se encenderá y el puerto de alimentación USB se apagará automáticamente, incluso el puerto de alimentación USB está en uso.

El disparador de encendido/apagado da vuelta a la unidad por intervalos, y también se utiliza para elegir el ajuste alto o bajo del brillo.

▲ PRECAUCIÓN: NO OPERE LA LINTERNA MIENTRAS SE CARGA.

Desconecte el cable de carga o el adaptador, a continuación, seleccione el modo de luz de la siguiente manera:

- Presione el disparador de encendido/apagado una vez para utilizar la linterna en el ajuste de alta (el más brillante).
- Presione el disparador de encendido/apagado de nuevo **dentro de 5 segundos** para utilizar la linterna en el nivel bajo (menos brillante).
- Presione el disparador de encendido/apagado una tercera vez para apagar la unidad.

0

- Presione el disparador de encendido/apagado una vez para utilizar la linterna en su alto valor (el más brillante).
- Presione el disparador de encendido/apagado de nuevo **después de 5 segundos** para apagar la unidad.

Nota: El indicador LED del estado de la batería/carga se encenderá en uno de tres colores (según lo descrito en *lectura la sección de la batería/indicador del estado LED de la carga *) para indicar el estado de la batería.

Usando el lente rojo de emergencia

El lente rojo de emergencia encaje en su lugar directamente sobre el bisel de goma, como se muestra



▲ PRECAUCIÓN – PARA REDUCIR EL RIESGO DE LESIONES O DAÑOS A LA PROPIEDAD:

- Nunca toque el lente rojo de emergencia o colocar la luz con el lente rojo emergencia adjunta boca abajo en cualquier superficie mientras está en funcionamiento.
- No utilice nunca el lente rojo de emergencia en la linterna si está dañada.
- Siempre quite el lente rojo de emergencia de la linterna y almacenarlo adecuadamente cuando no está en uso.

Utilización del soporte plegable

Levante el soporte plegable para arriba, invertir la unidad y ponla sobre una superficie plana y estable para la operación de manos libres.

Usando el cordón para llevar la linterna (acesorio opcional)

El cordón del llevar se puede utilizar para llevar la unidad o para colgarla para el almacenaje. Ajuste siempre la dispositivo en las cuerdas para mantener el dispositivo seguro alrededor de cualquier objeto favorable.

▲ PRECAUCIÓN – PARA REDUCIR EL RIESGO DE DAÑO DEL PRODUCTO:

- Cuando la luz es colgada por el acollador de llevar, no sauda la linterna o no se oponga que está colgando de. No cuelgue la linterna de ningún alambre eléctrico o cualquier cosa que no es seguro.
- Utilice solamente el acollador de llevar para colgar este reflector. El acollador de llevar no se piensa para apoyar el peso adicional. No ate o colgar cualquier cosa adicional al reflector o al riesgo de fractura puede ocurrir.

OPERACIÓN DEL PUERTO USB DE LA LINTERNA

IMPORTANTE: La luz y el puerto USB en la luz no pueden no ser operados simultáneamente. Operación de la luz tiene prioridad sobre la operación del puerto USB. Si se pulsa el disparador de encendido/apagado para encender la luz, la luz se encenderá y el puerto de alimentación USB se apagará automáticamente, incluso el puerto de alimentación USB está en uso.

Le puerto USB de la luz proporciona 5 volts/1A de alimentación de CC a un dispositivo USB con alimentación externa.

1. Desconecte el adaptador de carga cable andy asegúrese de que la luz está apagada.
2. Presione el botón de alimentación USB al poder el puerto USB de carga / potencia. El Indicador LED del estado de la batería/carga se ilumina o parpadea en una de tres colores (como se describe en la sección "cómo leer el Indicador LED del estado de la batería/carga") para indicar el estado de la batería interna.
3. Sólo tienes que conectar el dispositivo USB al puerto USB de carga / potencia de la luz y funcionar normalmente.
4. Pulse el botón de alimentación USB de nuevo para apagar el puerto de carga / alimentación USB. Asegúrese de que el botón de alimentación USB está en la posición de apagado cuando la unidad se está recargando o almacenada.

CUIDADO Y MANTENIMIENTO

Con el tiempo, todas las baterías pierden energía debido a la descarga automática y con mayor rapidez en ambientes con temperaturas elevadas. Cuando la unidad no esté en uso, recomendamos cargar la batería al menos cada 3 a 6 meses.

No sumerja este reflector en agua. Si la unidad se ensucia, limpie las superficies exteriores con cuidado. Utilice un paño suave.

No hay piezas reemplazables por el usuario. Periódicamente inspeccione la condición de adaptadores, conectores y alambres. Contacte fabricante para sustituir los componentes que han pasado a ser gastado o rotos.

Reemplazo/desecho de la batería

REEMPLAZO DE LA BATERÍA

La batería debe durar la vida útil de la unidad. La vida de servicio depende en un número de factores, incluyendo pero no limitado al número de ciclos de recarga, y el cuidado y mantenimiento adecuado de la batería por el usuario. Comuníquese con el fabricante para cualquier información que pueda necesitar.

ELIMINACIÓN DE LA BATERÍA

Contiene una batería de iones de litio, que debe ser eliminado adecuadamente. Se requiere reciclaje. El no cumplir con las regulaciones locales, estatales y federales puede resultar en multas o prisión.



Por favor, recicle.

▲ ADVERTENCIAS:

- No desheche la batería en el fuego ya que puede ocasionar una explosión.
- Antes de deshechar la batería, proteja las terminales descubiertas con cinta eléctrica para trabajos pesados. De esta manera previene cortos circuitos (los cortos circuitos pueden ocasionar lesiones e incendios).
- No exponga la batería al fuego o al calor extremo ya que puede explotar.

DETECCIÓN DE PROBLEMAS

La luz no se cargará

- Compruebe que la luz y el puerto USB estén apagados.
- Verifique la conexión a la linterna y a la fuente de poder. Asegúrese de que haya un buen contacto.
- Asegúrese de que la fuente de alimentación esté funcionando correctamente.
- La unidad puede haberse apagado para proteger la batería del sobrecalentamiento después de un largo periodo de funcionamiento o carga. Desenchufe el adaptador de carga desde la fuente de alimentación y desconecte el cable de carga USB desde la linterna. Permitir que la linterna se enfríe durante un periodo antes de reanudar carga.

La linterna no funcionará

- Asegúrese de que el disparador de encendido/apagado se ha pulsado para encender la linterna.
- La batería interna puede estar completamente descargada. Cargue la unidad siguiendo las instrucciones dadas en este manual.
- Si la temperatura ambiente es demasiado caliente o demasiado fría, la luz no funcionará.

El puerto USB de la luz no funcionará

- Asegúrese de que el disparador de encendido/apagado está desactivado.
- Algunos electrodomésticos de uso doméstico alimentados por USB no funcionan con los puertos USB proporcionan con este dispositivo. Compruebe el manual del electrodoméstico correspondiente para confirmar que se puede utilizar con este tipo de puerto USB.
- Asegúrese de que se presiona el botón de encendido USB para activar el puerto USB.
- Asegúrese de que la clasificación del equipo enchufado en el puerto USB de la luz no exceda 1A continuo.
- La batería interna puede estar completamente descargada. Cargue la unidad siguiendo las instrucciones dadas en este manual.

ACCESORIOS

Accesorios recomendados para uso con esta unidad puede ser disponibles a través del fabricante. Si necesita ayuda con respecto a los accesorios, por favor póngase en contacto con el fabricante al 888-331-4569.

▲ ADVERTENCIA: El uso de cualquier accesorio no recomendado para el uso con esta unidad podía ser peligroso.

INFORMACIÓN DE SERVICIO

Si usted necesita asesoramiento técnico, reparación, o partes genuinas del fabricante, póngase en contacto con el fabricante al 888-331-4569.

UN AÑO DE GARANTÍA LIMITADA

El fabricante garantiza este producto contra defectos de materiales y mano de obra durante un periodo de UN (1) AÑO a partir de la fecha de compra del producto por el comprador usuario final ("Período de Garantía"). Si hay un defecto y una reclamación válida se recibe dentro del período de garantía, el producto defectuoso puede ser reemplazado o reparado en el las siguientes maneras: (1) Devuelva el producto al fabricante para reparación o reemplazo, a opción del fabricante. La prueba de compra puede ser requerida por el fabricante. (2) Devuelva el producto a la tienda donde el producto fue comprado para un intercambio (siempre y cuando se trate de un minorista participante). Devoluciones al minorista deben hacerse dentro del plazo de póliza de devoluciones del minorista para intercambios solamente (por lo general 30 a 90 días después de la fecha de compra). La prueba de compra puede ser requerida por el minorista. Por favor consulte la póliza de devoluciones del minorista sobre devoluciones que están fuera del plazo establecido para intercambios.

Esta garantía no se aplica a los accesorios, bombillos, fusibles y baterías; defectos a consecuencias de desgaste normal; accidentes; daños y perjuicios sufridos durante el envío y manejo, alteraciones, reparaciones o uso no autorizado, negligencia, abuso, y si no se siguen instrucciones para el cuidado y mantenimiento del producto.

Esta garantía le otorga al comprador usuario final, derechos legales específicos y usted puede tener otros derechos que varían de estado a estado o de provincia a provincia. Este producto no está diseñado para uso comercial.

Please complete the Product Registration Card and return within 30 days from purchase of the product to: Baccus Global LLC, 621 NW 53rd St., Suite 450, Boca Raton, FL 33487. **Baccus Global LLC, toll-free number: 4569-331-888.**

ESPECIFICACIONES

Bombillo :	LED de 10 vatios
Batería:	Litio-ion, 3.6V CC
Entrada:	5V CC, 1A
Salida USB:	5V CC, 1A

To purchase optional accessories, contact the manufacturer at 888-331-4569.

Imported by Baccus Global LLC
621 NW 53rd St., Suite 450, Boca Raton, FL 33487
www.baccusglobal.com • 888-331-4569

RD015-1820

