

CRAFTSMAN®

INSTRUCTION MANUAL | GUIDE D'UTILISATION | MANUAL DE INSTRUCCIONES

4 U.S. GALLON* WET/DRY VAC

**ASPIRATEUR DE DÉBRIS SECS/HUMIDES - 4 GALLONS
AMÉRICAINS***

**ASPIRADORA PARA LÍQUIDOS/SÓLIDOS DE 4 GALONES
ESTADOUNIDENSES***

**Household and Workshop Use
Pour usage domestique et en atelier
Para uso en talleres y doméstico**

CMXEVBCV430L



IF YOU HAVE QUESTIONS OR COMMENTS, CONTACT US.
POUR TOUTE QUESTION OU TOUT COMMENTAIRE, NOUS CONTACTER.
SI TIENE DUDAS O COMENTARIOS, CONTÁCTENOS.

1-888-331-4569

WWW.CRAFTSMAN.COM

87558-08

Definitions: Safety Alert Symbols and Words

This instruction manual uses the following safety alert symbols and words to alert you to hazardous situations and your risk of personal injury or property damage.

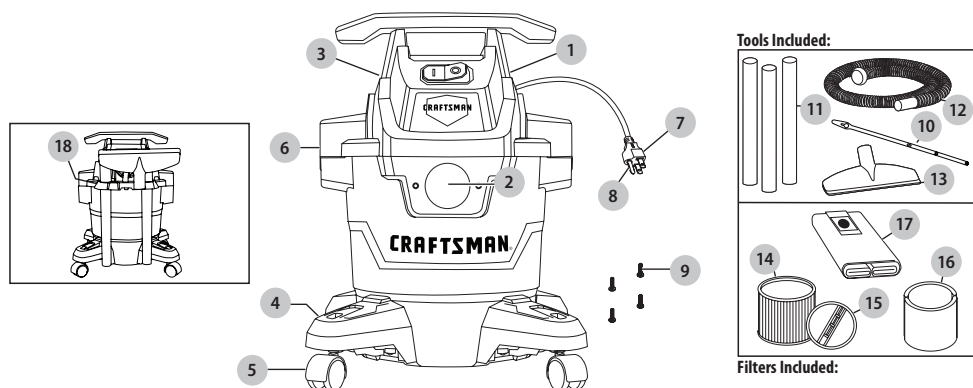
⚠ DANGER: Indicates an imminently hazardous situation which, if not avoided, **will** result in **death or serious injury**.

⚠ WARNING: Indicates a potentially hazardous situation which, if not avoided, **could** result in **death or serious injury**.

⚠ CAUTION: Indicates a potentially hazardous situation which, if not avoided, **may** result in **minor or moderate injury**.

⚠ (Used without word) Indicates a safety related message.

NOTICE: Indicates a practice **not related to personal injury** which, if not avoided, **may** result in **property damage**.



COMPONENTS

- | | | | |
|------------------------------|-----------------|------------------------|----------------|
| 1 Vacuum | 6 Lid Latches | 11 Extension Wands (3) | 16 Foam Sleeve |
| 2 Hose Inlet | 7 Plug | 12 Hose | 17 Filter Bag |
| 3 Blower Port (not pictured) | 8 Grounding Pin | 13 Utility Nozzle | 18 Tool Holder |
| 4 Caster Feet (4) | 9 Screws (4) | 14 Cartridge Filter | |
| 5 Casters (4) | 10 Hose Strap | 15 Retainer | |

⚠ WARNING: Read all safety warnings and all instructions. Failure to follow the warnings and instructions may result in electric shock, fire and/or serious injury.


⚠ WARNING: Never modify the product or any part of it. Damage or personal injury could result.

⚠ WARNING: To reduce the risk of injury, read the instruction manual.

If you have any questions or comments about this or any product, call CRAFTSMAN toll free at: 1-888-331-4569.

CMXEVBVCV430L

IMPORTANT SAFETY INSTRUCTIONS

 **Read all safety rules carefully before attempting to operate.**

 **DANGER:** *Never operate this unit when flammable materials or vapors are present.*

What can happen	How to prevent it
Because electrical devices produce arcs or sparks, flammable materials and vapors can cause a fire or explosion.	Never use the vacuum around flammable materials or vapors.

 **WARNING:** *ALWAYS DISCONNECT THE PLUG FROM THE WALL OUTLET BEFORE REMOVING THE TANK COVER.*

What can happen	How to prevent it
Vacuum could turn on.	Always unplug power cord from the wall outlet before removing the tank cover.

 **WARNING:** *ALWAYS WEAR EYE PROTECTION.*

What can happen	How to prevent it
Rocks or debris can be blown or ricochet into the eyes or face which can result in serious injury.	Always wear eye protection while operating vacuum.

When using an electrical appliance, basic precautions should always be followed, including the following: **READ ALL INSTRUCTIONS BEFORE USING THIS APPLIANCE.**

 **WARNING:** *TO REDUCE THE RISK OF FIRE ELECTRIC SHOCK OR INJURY:*

- Do not leave appliance when plugged in. Unplug from outlet when not in use and before servicing. Connect to a properly grounded outlet only. See Grounding Instructions.
- Do not expose to rain – store indoors.
- Do not allow to be used as a toy. Close attention is necessary when used by or near children.
- Use only as described in this manual. Use only Manufacturer's recommended attachments.
- Do not use with damaged cord or plug. If appliance is not working as it should, has been dropped, damaged, left outdoors, or dropped into water, return

to service center.

- Do Not: pull or carry by cord, use cord as a handle, close a door on cord or pull cord around sharp edges or corners. Do not run appliance over cord. Keep cord away from heated surfaces.
- Do not unplug by pulling on cord. To unplug, grasp the plug; not the cord.
- Do not handle plug or appliance with wet hands.
- Do not put any object into openings. Do not use with any openings blocked; keep free of dust, lint, hair and anything that may reduce air flow.
- Keep hair, loose clothing, fingers and all parts of body away from openings and moving parts.
- Do not pick up anything that is burning or smoking, such as cigarettes, matches or hot ashes.
- Do not use without dust bag and/or filters in place.
- Turn off all controls before unplugging.
- Use extra care when cleaning on stairs.
- Do not use to pick up flammable or combustible liquids such as gasoline or use in areas where they may be present.
- Do not use the cleaner as a sprayer of flammable liquids such as oil base paints, lacquers, household cleaners, etc.
- Do not vacuum toxic, carcinogenic, combustible or other hazardous materials such as asbestos, arsenic, barium, beryllium, lead, pesticides or other health endangering materials. Specially designed units are available for these purposes.
- Do not pick up soot, cement, plaster or drywall dust without cartridge filter and collection filter bag in place. These are very fine particles that may pass through the foam and affect the performance of the motor or be exhausted back into the air. Additional collection filter bags are available.
- Do not leave the cord lying on the floor once you have finished the cleaning job. It can become a tripping hazard.
- Use special care when emptying heavily loaded tanks.
- To avoid spontaneous combustion, empty tank after each use.
- The operation of a utility vac can result in foreign objects being blown into eyes, which can result in eye damage. Always wear safety goggles when operating vacuum.
- STAY ALERT.** Watch what you are doing and use common sense. Do not use vacuum cleaner when you are tired, distracted or under the influence of drugs, alcohol or medication causing diminished control.
- WARNING:** Do **NOT** use this vacuum cleaner to vacuum lead paint debris because this may disperse fine lead particles into the air. This vacuum cleaner is not intended for use under EPA Regulation 40 CFR Part 745 for lead paint material cleanup.

SAVE ALL WARNINGS AND INSTRUCTIONS FOR FUTURE REFERENCE

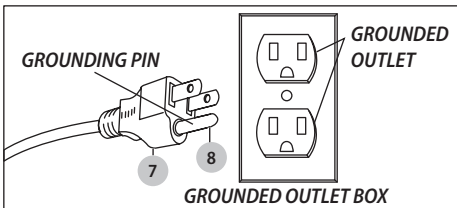
⚠ WARNING: DO NOT LEAVE VACUUM UNATTENDED WHEN IT IS PLUGGED IN AND/OR OPERATING.

GROUNDING INSTRUCTIONS

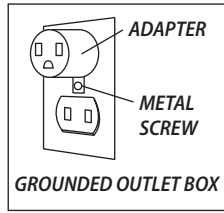
This appliance must be grounded. If it should malfunction or breakdown, grounding provides a path of least resistance for electric current to reduce the risk of electric shock. This appliance is equipped with a cord having an equipment-grounding conductor and grounding plug. The plug must be inserted into an appropriate outlet that is properly installed and grounded in accordance with all local codes and ordinances.

⚠ WARNING: IMPROPER CONNECTION OF THE EQUIPMENT-GROUNDING CONDUCTOR CAN RESULT IN A RISK OF ELECTRIC SHOCK. CHECK WITH A QUALIFIED ELECTRICIAN OR SERVICE PERSON IF YOU ARE IN DOUBT AS TO WHETHER THE OUTLET IS PROPERLY GROUNDED. DO NOT MODIFY THE PLUG PROVIDED WITH THE APPLIANCE – IF IT WILL NOT FIT THE OUTLET, HAVE A PROPER OUTLET INSTALLED BY A QUALIFIED ELECTRICIAN.

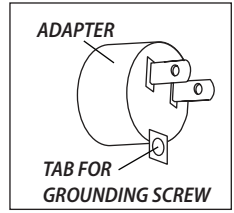
This appliance is for use on a nominal 120-volt circuit, and has a grounded plug **7** and grounding pin **8** that looks like the plug illustrated in **Sketch A**. A temporary adapter that looks like the adapter illustrated in **Sketch B and C** may be used to connect this plug to a 2-pole receptacle as shown in **Sketch B** if a properly grounded outlet is not available. The temporary adapter should be used only until a properly grounded outlet (**Sketch A**) can be installed by a qualified electrician. The green colored rigid ear, lug or the like extending from the adapter must be connected to a permanent ground such as a properly grounded outlet box cover. Whenever the adapter is used, it must be held in place by a metal screw.



Sketch A



Sketch B



Sketch C

IN CANADA, THE USE OF A TEMPORARY ADAPTER IS NOT PERMITTED BY THE CANADIAN ELECTRICAL CODE. Make sure that the appliance is connected to an outlet having the same configuration as the plug. No adapter should be used with this appliance.

EXTENSION CORDS

When using the appliance at a distance where an extension cord becomes necessary, a 3-conductor grounding cord of adequate size must be used for safety, and to prevent loss of power and overheating. Use **TABLE A** to determine A.W.G. wire size required. To determine ampere rating of the vacuum, refer to nameplate located on motor housing.

Before using appliance, inspect power cord for loose or exposed wires and damaged insulation. Make any needed repairs or replacements before using the appliance. Use only three-wire outdoor extension cords, which have three-prong grounding-type plugs and three-pole receptacles which accept the extension cord's plug. When vacuuming liquids, be sure the extension cord connection does not come in contact with the liquid.

NOTE: STATIC SHOCKS ARE COMMON IN DRY AREAS OR WHEN THE RELATIVE HUMIDITY OF THE AIR IS LOW. THIS IS ONLY TEMPORARY AND DOES NOT AFFECT THE USE OF THE APPLIANCE. TO REDUCE THE FREQUENCY OF STATIC SHOCKS IN YOUR HOME, THE BEST REMEDY IS TO ADD MOISTURE TO THE AIR WITH A CONSOLE OR INSTALLED HUMIDIFIER.

Volts	Total length of cord in feet			
	25	50	100	150
120V				
Ampere Rating More Than	Not More Than	AWG		
0 - 6	18	16	16	14
6 - 10	18	16	14	12
10 - 12	18	16	14	12

TABLE A

UNPACKING

Pull lid latches **6** in an outward motion and remove tank cover. Remove any accessories and literature that may have been packed in the vacuum tank.

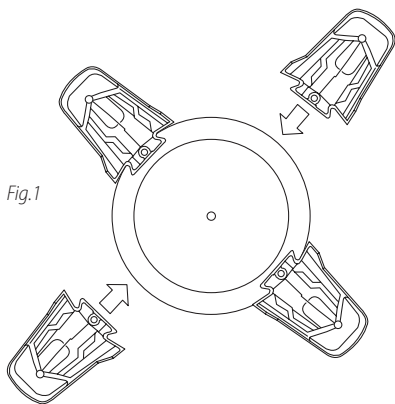
ASSEMBLY

Caster System Assembly

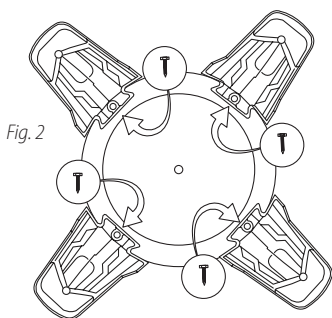
You will find four casters **5**, four caster feet **4** and four screws **9** with this wet/dry vacuum.

Assemble as follows:

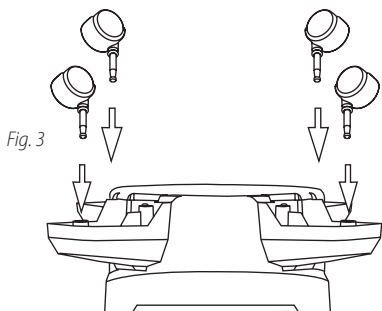
1. With cord disconnected from the receptacle and tank cover removed, turn tank upside-down so bottom is facing up.
2. Take caster feet **4** and place into slots on tank. **Fig. 1**.



3. Secure caster feet **4** to tank with screws provided **9**. **Fig. 2**.



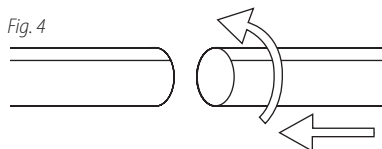
4. Insert casters **5** into caster feet **4** by placing the caster stems into the holes provided. Apply pressure and twisting motion until casters snap into place. **Fig. 3**.



5. Return tank to upright position.

GENERAL SET UP

6. Before replacing tank cover, refer to **Dry Pick Up** or **Wet Pick Up** Operation in user manual to ensure you have the proper filters installed for this cleaning operation.
7. Replace tank cover, and apply pressure with thumb to each latch until it snaps tightly into place. Make certain all lid latches are clamped securely.
8. Insert hose **12** into inlet of tank **2**. Do not over-tighten.
9. Attach the extension wands **11** to the accessory end of the hose **12**. Twist slightly to tighten the connection. **Fig. 4**.



10. Attach one of the cleaning accessories (depending on your cleaning requirements) on the extension wands **11**. Twist slightly to tighten the connection. **Fig. 4**.
11. Plug the cord **7** into the wall outlet. Your cleaner is ready for use. **I = ON, O = OFF**

FILTER INSTALLATION AND CLEAN UP

Dry Pick Up Operation

NOTE: Never use the vacuum for dry pick up without a dry use filter installed on the lid cage. Using the vacuum without a filter will cause dust to discharge from blower port and cause damage to motor.

INSTALLING AND CLEANING THE CARTRIDGE FILTER **14, 15** :



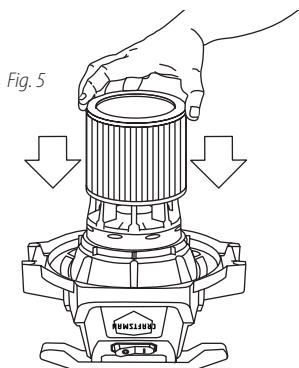
WARNING: ALWAYS DISCONNECT THE PLUG FROM THE WALL OUTLET BEFORE REMOVING THE TANK COVER.

NOTE: If foam sleeve **16** is installed on lid cage, remove before installing the cartridge filter **14**.

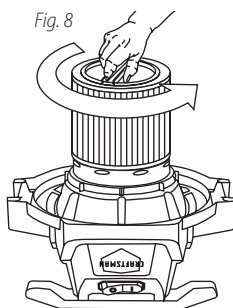
12. The cartridge filter **14** can be used for dry pick up and small quantities of wet pick up. Installation is the same for both. When picking up large quantities of water we recommend using a foam sleeve **16** instead of the cartridge filter **14**. When picking up fine dust or powders a high efficiency filter bag (not standard with all models) must be used with the cartridge filter.

NOTE: If cartridge filter **14** has been used for wet pick up, it must be cleaned and dried before using it for dry pick up.

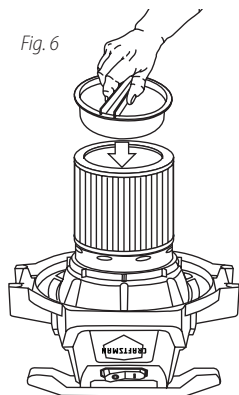
13. With the tank cover in an upside down position, slide the cartridge filter **14** down over the lid cage, pushing until the filter seals against the cover. **Fig. 5.**



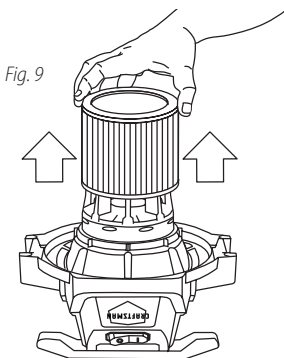
16. To remove the filter **14** for cleaning, again hold the tank cover and turn the filter retainer **15** counter-clockwise to loosen and remove. **Fig. 8.**



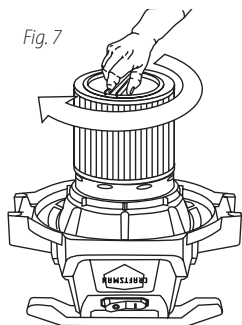
14. Place filter retainer **15** into the top of the cartridge filter **14**. **Fig. 6.**



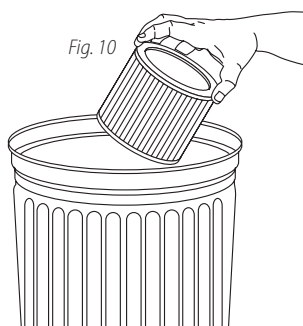
17. Slide the cartridge filter **14** off the lid cage. **Fig. 9.**



15. Hold the tank cover with one hand, turn the handle on the filter retainer **15** clockwise to tighten, locking the filter **14** into place. **Fig. 7.**

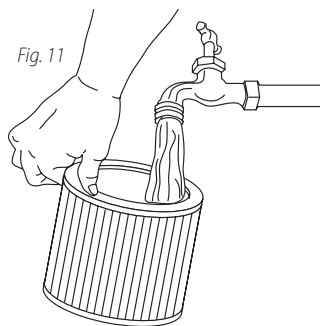


18. To clean cartridge filter **14** shake or brush off excess dirt. **Fig. 10.**



19. Or rinse (from the inside of the filter **14**) with water.

Fig. 11. Dry completely (approximately 24 hours).

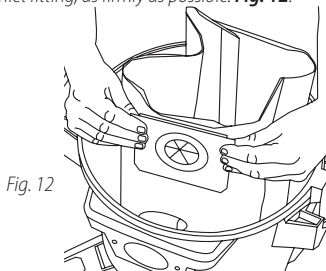


INSTALLING FILTER BAG **17**:

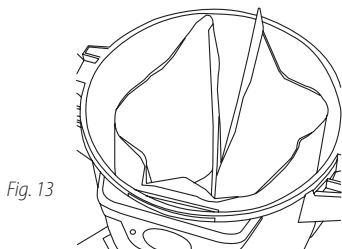
Use the filter bag **17** in conjunction with the cartridge filter **14** for easy disposal of the debris. The bag is not required for normal dry pick up. When picking up fine dust or powders a high efficiency filter bag (**not standard with all models**) must be used. **NOTE:** For dry use only.

! WARNING: MAKE SURE THE CORD IS DISCONNECTED FROM THE RECEPTACLE, TANK COVER IS REMOVED AND THE HOSE IS DISCONNECTED FROM TANK INLET.

20. Grasp cardboard collar firmly and slide rubber guard onto inlet fitting, as firmly as possible. **Fig. 12.**



21. When securely in place, expand and position bag **17** around inside of tank. **Fig. 13.**



! WARNING: KEEP FILTERS CLEAN. EFFICIENCY OF THE VACUUM IS LARGELY DEPENDENT ON THE FILTER. A CLOGGED FILTER CAN CAUSE OVERHEATING AND POSSIBLY DAMAGE THE CLEANER. CHECK THE FILTER PERIODICALLY AND REPLACE AS REQUIRED.

! WARNING: FOR FINE DUST POWDERS

When vacuuming fine dust, or powders of any kind (plaster, drywall dust, cold ashes, concrete dust, etc.) a high efficiency drywall filter bag must be used.

When vacuuming normal household dust and debris, standard household disposable filter bags may be used.

22. Check the filter **17** for tears or small holes. If none are found, reinstall the filter **17**. To prevent damage to this vacuum, do not use a filter **17** with a hole or a tear.

WET PICK UP OPERATION

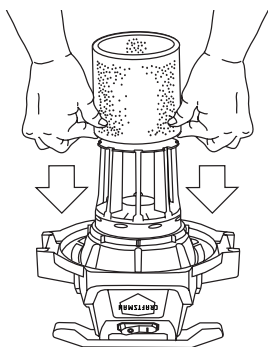
23. Your vacuum can be used for wet pick up. Remove ALL dirt and debris found in the tank. Remove all dry use only filters, including the filter bag **17**, from this vacuum.
24. A clean cartridge **14** filter may be used to pick up small quantities of liquid. To use the cartridge filter **14**; follow the cleaning and installation instructions under dry pick up.
25. For vacuuming large quantities of liquid use a foam sleeve **16**. To use the foam sleeve **16**; follow the installation instructions in this section.
26. Misting in the exhaust air or dripping of liquid around the tank cover may occur if the filter **16** becomes saturated during wet pick up. If this occurs, remove the filter and allow to dry, or replace with another dry filter.
27. Turn the unit off immediately upon completing a wet pick up job or when tank is full and ready to be emptied. When the tank is full, suction will drastically reduce. Refer to "automatic suction shut off" in this manual. Raise the hose **12** to drain any excess liquid into the tank. Follow the "emptying liquid waste" section in this manual.
28. Before storing the vacuum cleaner or using for dry pick up, clean and dry the interior of the tank and the underside of the tank cover. Clean and allow the filters to dry completely.

NOTE: WET PICK UP ACCESSORIES SHOULD BE WASHED PERIODICALLY; ESPECIALLY AFTER PICKING UP WET, STICKY ACCIDENTS. THIS CAN BE ACCOMPLISHED WITH A WARM SOLUTION OF SOAP AND WATER.

FOAM SLEEVE 16 INSTALLATION AND CLEANING:

29. With tank cover in an upside down position, slide foam sleeve 16 down over lid cage pulling until foam sleeve 16 completely covers lid cage. Fig. 14.

Fig. 14



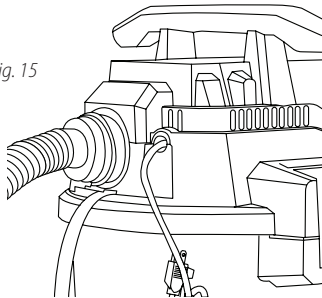
⚠ WARNING: TO CLEAN THE FOAM SLEEVE, DISCONNECT THE PLUG FROM THE WALL OUTLET. REMOVE THE TANK COVER AND PLACE THE COVER IN AN UPSIDE-DOWN POSITION. REMOVE FOAM SLEEVE BY SLIDING IT UP AND OFF THE LID CAGE.

30. Shake excess debris off of the foam sleeve 16 with a rapid up and down movement.
31. Hold foam sleeve 16 under running water for a minute or two, rinsing from the inside of the filter. A water wash is not always required, depending on the condition of the foam sleeve.
32. Check the filter 16 for tears. If any are found, replace with a new filter 16.

BLOWER FEATURE

33. Your vacuum can be used as a powerful blower. To use the blower feature 3, clear the hose of any debris or obstructions. Insert machine hose 12 end into blower port 3 located on the back of the tank cover. Twist the hose end slightly to tighten the connection. Fig. 15. Caution should be used when using as a blower due to the powerful force of air when using certain attachments.

Fig. 15



⚠ WARNING: ALWAYS WEAR EYE PROTECTION TO PREVENT ROCKS OR DEBRIS FROM BEING BLOWN OR RICOCHETING INTO THE EYES OR FACE WHICH CAN RESULT IN SERIOUS INJURY.

EMPTYING LIQUID WASTE FROM THE TANK

34. To empty liquid waste from the tank, turn the vacuum off and remove the plug 7 from the wall outlet. Remove the tank cover and deposit the liquid waste in a suitable drain. After tank is empty, return the tank cover to its original position.

AUTOMATIC SUCTION SHUT-OFF

35. The vacuum is equipped with an automatic suction shut-off that operates when picking up liquids. As the level of the liquid rises in the tank, an internal float rises until it seats itself against a seal at the intake of the motor, shutting off suction. When this happens, the motor will develop a higher than normal pitch noise and the suction is drastically reduced. If this occurs, turn unit off immediately. Failure to turn unit off after float rises and shuts off suction will result in extensive damage to the motor. To continue use, empty the liquid waste from the tank as outlined in the previous section.

NOTE: IF ACCIDENTALLY TIPPED OVER, THE VACUUM COULD LOSE SUCTION. IF THIS OCCURS, TURN UNIT OFF AND PLACE VAC IN UPRIGHT POSITION. THIS WILL ALLOW THE FLOAT TO RETURN TO ITS NORMAL POSITION, AND YOU WILL BE ABLE TO CONTINUE OPERATION.

LUBRICATION

36. No lubrication is necessary as the motor is equipped with lifetime lubricated bearings.

TOOL STORAGE

37. Set tank cover onto the tank. Position back of tank facing you.
38. Take tool holder 18 and slide over notches located on rear of tank. Fig. 16.

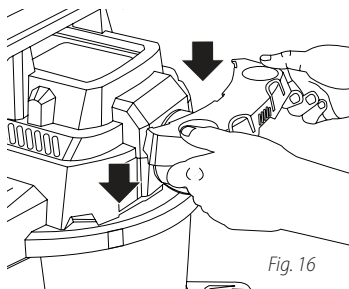


Fig. 16

HOSE STRAP 10

39. Wrap hose strap Fig. 17 around hose 12 aligning raised areas on back of strap into a groove on hose Fig. 18.

40. Insert button #1 into button hole #1 **Fig. 19** (this may be difficult at first), continue to wrap hose strap **10** around hose **12** **Fig. 19**. Insert button #2 into button hole #2 **Fig. 20**.

Fig. 17

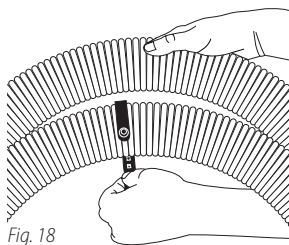
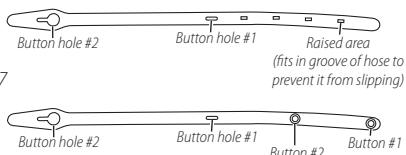


Fig. 18

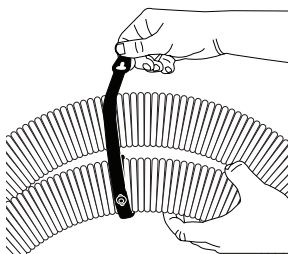


Fig. 19

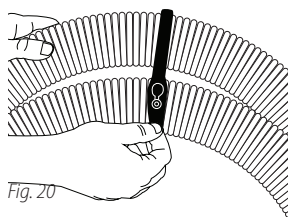
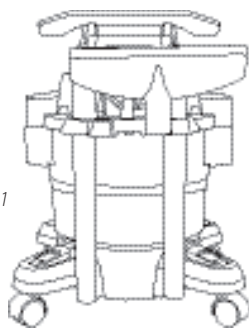


Fig. 20

41. Place vacuum tools in tool holder **18**. **Fig. 21**. The vacuum should be stored indoors.

Fig. 21



Register Online

Thank you for your purchase. Register your product now for:

- **WARRANTY SERVICE:** Registering your product will help you obtain more efficient warranty service in case there is a problem with your product.
- **CONFIRMATION OF OWNERSHIP:** In case of an insurance loss, such as fire, flood or theft, your registration of ownership will serve as your proof of purchase.
- **FOR YOUR SAFETY:** Registering your product will allow us to contact you in the unlikely event a safety notification is required under the Federal Consumer Safety Act.

Register online at www.craftsman.com/registration

Three Year Limited Warranty

CRAFTSMAN will repair or replace, without charge, any defects due to faulty materials or workmanship for three years from the date of purchase. This warranty does not cover part failure due to normal wear or tool abuse. For further detail of warranty coverage and warranty repair information, visit www.craftsman.com or call **1-888-331-4569**. This warranty does not apply to accessories or damage caused where repairs have been made or attempted by others. THIS LIMITED WARRANTY IS GIVEN IN LIEU OF ALL OTHERS, INCLUDING THE IMPLIED WARRANTY OF MERCHANTABILITY AND FITNESS FOR A PARTICULAR PURPOSE, AND EXCLUDES ALL INCIDENTAL OR CONSEQUENTIAL DAMAGES. Some states do not allow limitations on how long an implied warranty lasts or the exclusion or limitation of incidental or consequential damages, so these limitations may not apply to you. This warranty gives you specific legal rights and you may have other rights which vary in certain states or provinces.

90 DAY MONEY BACK GUARANTEE

If you are not completely satisfied with the performance of your CRAFTSMAN Wet Dry Vacuum for any reason, you can return it within 90 days from the date of purchase with a receipt for a full refund – no questions asked.

LATIN AMERICA: This warranty does not apply to products sold in Latin America. For products sold in Latin America, see country specific warranty information contained in the packaging, call the local company or see website for warranty information.

FREE WARNING LABEL REPLACEMENT: If your warning labels become illegible or are missing, call **1-888-331-4569** for a free replacement.

TROUBLESHOOTING GUIDE

BE SURE TO FOLLOW SAFETY RULES AND INSTRUCTIONS

For assistance with your product, visit our website at www.craftsman.com for a list of service centers, or call CRAFTSMAN at 1-888-331-4569.

PROBLEM	CAUSE	CORRECTION
Loss of suction wet pick up	Clogged filter.	Clean filter, see steps 30-32 on page 7.
	Full tank.	Empty tank, see step 34 on page 7.
Loss of suction dry pick up	Full tank.	Empty tank.
	Clogged filter.	Clean filter, see steps 16-19 on pages 5 & 6.
Loss of suction or misting during wet pick up	Full tank.	Drain and clean tank, see step 34 on page 7.
	Saturated filter.	Clean filter, see step 26 on page 6.

**Tank capacity refers to actual tank volume, and does not reflect capacity available during operation.*

Definiciones: Términos y Símbolos de Alertas de Seguridad

Este manual de instrucciones usa los siguientes términos y símbolos de alertas de seguridad para darle aviso de situaciones peligrosas y del riesgo de lesiones personales o daños materiales.

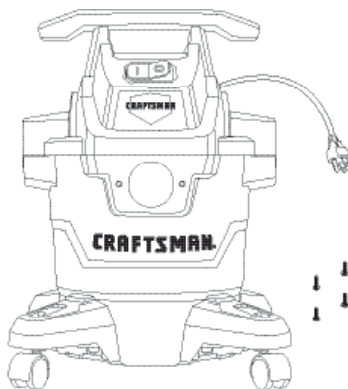
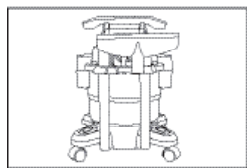
! PELIGRO: Indica una situación de peligro inminente que, si no se evita, **ocasionará** la muerte o lesiones graves.

! ADVERTENCIA: Indica una situación de posible peligro que, si no se evita, **podría** ocasionar la muerte o lesiones graves.

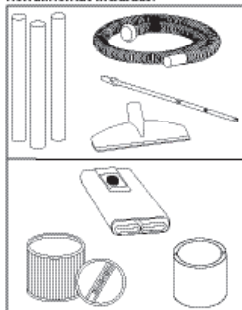
! CUIDADO: Indica una situación de posible peligro que, si no se evita, **podría** ocasionar lesiones leves o moderadas.

! (Usado solo, sin ninguna palabra) Indica un mensaje relacionado con la seguridad.

AVISO: Indica una práctica **no relacionada con lesiones personales** que, si no se evita, **podría** ocasionar daños materiales.



Herramientas incluidas:



Filtros incluidos:

COMPONENTS

- | | | | |
|---|--------------------------------|--------------------------------|------------------------------|
| 1 Aspiradora | 6 Trabas de la tapa | 11 Varas de extensiónTuyau (3) | 16 Funda de espuma |
| 2 Entrada de manguera | 7 Enchufe | 12 Manguera | 17 Bolsa filtrante |
| 3 Puerto del soplador (no aparece en la imagen) | 8 Clavija de conexión a tierra | 13 Boquilla utilitaria | 18 Sujetador de herramientas |
| 4 Patas de ruedas (4) | 9 Tornillos (4) | 14 Filtro de cartucho | |
| 5 ruedas pivotantes (4) | 10 Correa de la manguera | 15 Retenedor | |

! ADVERTENCIA: **Lea todas las advertencias de seguridad y todas las instrucciones.** No seguir las advertencias e instrucciones podría ocasionar una descarga eléctrica, incendio y/o lesiones graves.

! ADVERTENCIA: **Nunca modifique el producto ni cualquier parte del mismo.** Podría ocasionar daño o lesiones personales.

! ADVERTENCIA: **Para reducir el riesgo de lesiones, lea el manual de instrucciones.**

Si tiene preguntas o comentarios sobre este o cualquier otro producto, llame a CRAFTSMAN al número gratuito: 1-888-331-4569.

CMXEVBVCV430L

INSTRUCCIONES IMPORTANTES DE SEGURIDAD

! *Lea detenidamente todas las reglas de seguridad antes de intentar operar la aspiradora.*

! **PELIGRO:** *Nunca opere esta unidad en presencia de materiales o vapores inflamables.*

Qué puede pasar

Los dispositivos eléctricos producen arcos o chispas que en presencia de materiales o vapores inflamables pueden provocar un incendio o una explosión.

Cómo evitarlo

Nunca use la aspiradora cerca de materiales o vapores inflamables.

! **ADVERTENCIA:**
SIEMPRE DESCONECTAR EL ENCHUFE DEL TOMACORRIENTE DE LA PARED ANTES DE QUITAR LA CUBIERTA DEL DEPÓSITO.

Qué puede pasar

La aspiradora podría encenderse.

Cómo evitarlo

Siempre desenchufar el cable eléctrico del tomacorriente de la pared antes de quitar la cubierta del depósito.

! **ADVERTENCIA:** **SIEMPRE USAR GAFAS DE PROTECCIÓN.**

Qué puede pasar

Piedras o desechos pueden rebotar o entrar en los ojos o en el rostro lo cual podría provocar lesiones graves.

Cómo evitarlo

Siempre usar gafas de protección para operar la aspiradora.

*Siempre se deben seguir ciertas precauciones básicas al usar aparatos eléctricos, incluyendo las siguientes: **LEER TODAS LAS INSTRUCCIONES ANTES DE USAR ESTE APARATO.***

! **ADVERTENCIA:** **PARA REDUCIR EL RIESGO DE INCENDIO, DESCARGAS ELÉCTRICAS O LESIONES:**

- No dejar el aparato enchufado cuando no está en uso. Desenchufarlo del tomacorriente cuando no se está usando y antes de realizar tareas de mantenimiento. Conectar solamente a un tomacorriente correctamente conectado a tierra. Ver instrucciones para la conexión a tierra.*
- No exponer a la lluvia. Se debe guardar bajo techo.*

- No permitir que sea usado como un juguete. Es necesario prestar suma atención cuando es usada por niños o cerca de ellos.*
- Usar solamente de la forma descrita en este manual. Usar solamente los accesorios recomendados por el Fabricante.*
- No usar si tiene el cable o el enchufe dañado. Si el aparato no funciona como debería, se cayó, sufrió daños, fue dejado a la intemperie o cayó en el agua, devolverlo al centro de servicio.*
- No tirar del cable o cargar el aparato del cable, no usar el cable como una manija, no apretar el cable al cerrar una puerta ni tirar del cable alrededor de esquinas o bordes filosos. No pisar el cable con el aparato. Mantener el cable alejado de superficies calientes.*
- No desenchufar tirando del cable. Para desenchufar, agarrar del enchufe; no agarrar del cable.*
- No tocar el enchufe o el aparato con manos húmedas.*
- No colocar ningún objeto en las aberturas. No usar si alguna abertura está bloqueada; mantener libre de polvo, pelusas, cabellos o cualquier cosa que pudiera reducir la circulación de aire.*
- Mantener el cabello, la ropa holgada, los dedos y todas las partes del cuerpo alejados de las aberturas y de las partes en movimiento.*
- No aspirar nada que esté ardiendo o con humo, como cigarrillos, cerillos o cenizas calientes.*
- No usar sin la bolsa para polvo y/o filtros colocados.*
- Apagar todos los controles antes de desenchufar.*
- Tener especial cuidado para limpiar escaleras.*
- No utilizar para aspirar líquidos combustibles o inflamables como gasolina o usar en áreas donde pudiera haberlos.*
- No usar la aspiradora para dispersar líquidos inflamables como pinturas a base de aceites, lacas, limpiadores domésticos, etc.*
- No aspirar materiales tóxicos, cancerígenos, combustibles o que impliquen algún otro tipo de peligro como amianto, arsénico, bario, berilio, plomo, pesticidas o cualquier otro material que suponga un peligro para la salud. Hay disponibles unidades diseñadas especialmente para estos propósitos.*
- No aspirar hollín, cemento, yeso o polvo de tablaroca sin el filtro de cartucho y la bolsa recolectora del filtro colocados. Se tratan de partículas muy pequeñas que podrían traspasar la espuma y afectar el desempeño del motor o ser desagotadas de vuelta al aire. Se pueden comprar bolsas recolectoras del filtro adicionales.*
- No dejar el cable en el suelo después de terminar de aspirar. Podría suponer un peligro de tropiezos.*

- t) Poner especial cuidado al vaciar los depósitos muy llenos.
- u) Para evitar la combustión espontánea, vaciar el depósito después de cada uso.
- v) La operación de una aspiradora utilitaria puede ocasionar que entren cuerpos extraños en los ojos y provocar daño a la vista. Usar siempre gafas de seguridad para operar la aspiradora.
- w) **ESTAR SIEMPRE ALERTA.** Concentrarse en lo que se está haciendo y usar el sentido común. No usar la aspiradora cuando se está cansado, distraído o bajo los efectos de drogas, alcohol o medicamentos que provoquen la disminución del control.
- x) **ADVERTENCIA:** NO usar esta aspiradora para aspirar residuos de pintura con plomo porque esto podría dispersar las diminutas partículas de plomo en el aire. Esta aspiradora de limpieza no está diseñada para ser usada para la limpieza de materiales de pintura con plomo conforme a la Normativa de la EPA del CFR 40 Parte 745.

GUARDAR TODAS LAS ADVERTENCIAS E INSTRUCCIONES PARA CONSULTAR EN EL FUTURO

⚠ ADVERTENCIA: NO DEJAR LA ASPIRADORA DESATENDIDA CUANDO ESTÁ ENCHUFADA Y/O EN FUNCIONAMIENTO.

INSTRUCCIONES PARA LA CONEXIÓN A TIERRA

Este aparato debe estar conectado a tierra. En caso de fallo o avería, la conexión a tierra ofrece una ruta de menor resistencia para la corriente eléctrica para reducir el riesgo de descarga. Este aparato está equipado con un conductor de descarga a tierra y con un enchufe con conexión a tierra. El enchufe debe insertarse en un tomacorriente correctamente instalado que tenga conexión a tierra en conformidad con todos los códigos y normativas locales.

⚠ ADVERTENCIA: LA CONEXIÓN INCORRECTA DEL CONDUCTOR DE DESCARGA A TIERRA PUEDE IMPLICAR UN RIESGO DE DESCARGA ELÉCTRICA. CONSULTAR A UN ELECTRICISTA CALIFICADO O A UNA PERSONA DE MANTENIMIENTO SI SE TIENE DUDAS ACERCA DE LA CORRECTA CONEXIÓN A TIERRA DEL TOMACORRIENTE. NO MODIFICAR EL ENCHUFE QUE VIENE CON EL APARATO - SI NO CALZA EN EL TOMACORRIENTE, SE DEBE SOLICITAR QUE UN ELECTRICISTA CALIFICADO INSTALE EL TOMACORRIENTE ADECUADO.

Este aparato es para usar en un circuito de 120 voltios nominales, y cuenta con un enchufe conectado a tierra **7** y una clavija de conexión a tierra **8** similar a la ilustrada en el **Diagrama A**. Se puede usar un adaptador provisorio como el ilustrado en los **Diagramas B y C** para conectar este enchufe en un receptáculo de 2 polos como se muestra en el **Diagrama B** si no hay disponible un tomacorriente debidamente conectado a tierra. El adaptador provisorio debe usarse solamente hasta que un electricista calificado pueda instalar el tomacorriente debidamente conectado a tierra (**Diagrama A**). La oreja rígida de color verde, la lengüeta o similar que sale del adaptador debe estar conectada a una conexión a tierra permanente como, por ejemplo, la cubierta de la caja de un tomacorriente debidamente conectado a tierra. Siempre que el adaptador esté en uso, debe sujetarse con un tornillo de metal.

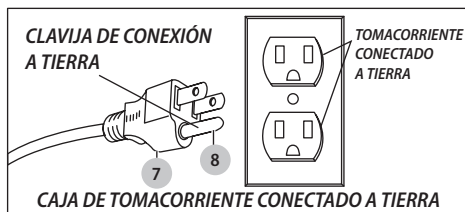


Diagrama A

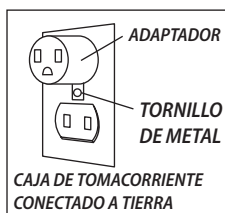


Diagrama B



Diagrama C

EL CÓDIGO ELÉCTRICO CANADIENSE PROHÍBE EL USO DE ADAPTADORES PROVISORES EN CANADÁ. Verificar que el aparato esté conectado a un tomacorriente que tenga la misma configuración que el enchufe. No se deben usar adaptadores con este aparato.

CABLES ALARGADORES

Para usar este aparato lejos del tomacorriente donde es necesario usar un cable alargador, se debe usar un cable de 3 conductores del tamaño adecuado para la seguridad y para evitar la pérdida de potencia y el sobrecalentamiento. Usar la **TABLA A** para determinar el calibre de hilos A.W.G. requerido. Para determinar el amperaje de la aspiradora, consultar la placa que se encuentra en la carcasa del motor.

Antes de usar el aparato, inspeccionar el cable para verificar que no tenga hilos expuestos o sueltos ni que el aislamiento esté dañado. Hacer todas las reparaciones o cambios de piezas necesarios antes de usar el aparato. Usar solamente cables alargadores de tres hilos en el exterior, que tengan enchufes de tres clavijas con conexión a tierra y receptáculos de tres polos que acepten el enchufe del cable alargador. Para aspirar líquidos, verificar que la conexión del cable alargador no entre en contacto con el líquido.

NOTA: LAS DESCARGAS DE ESTÁTICA SON COMUNES EN ZONAS SECAS O CUANDO LA HUMEDAD RELATIVA DEL AIRE ES BAJA. ESTO ES TEMPORARIO SOLAMENTE Y NO AFECTA EL USO DEL APARATO. PARA REDUCIR LA FRECUENCIA DE DESCARGAS DE ESTÁTICA EN SU HOGAR, LA MEJOR SOLUCIÓN ES AGREGAR HUMEDAD AL AIRE INSTALANDO UNA CONSOLA O HUMIDIFICADOR.

Voltios		Longitud total del cable en pies			
120V		25	50	100	150
Amperaje no más de		AWG			
0	- 6	18	16	16	14
6	- 10	18	16	14	12
10	- 12	18	16	14	12

TABLA A

CÓMO DESEMPACAR

Tirar hacia afuera de las trabas de la tapa **6** y quitar la cubierta del depósito. Retirar todos los accesorios y materiales de lectura que estuvieran dentro del depósito de la aspiradora.

ENSAMBLAJE

Ensamblaje del sistema de ruedas

La caja de la aspiradora para líquidos/sólidos contiene cuatro ruedas pivotantes **5**, cuatro patas de ruedas **4**, cuatro tornillos **9**.

Ensamblar de la siguiente manera:

1. Después de desconectar el cable del receptáculo y retirar la cubierta del depósito, dar vuelta el depósito de modo que la parte inferior quede hacia arriba.
2. Con el desagüe del depósito hacia usted, tomar la pata de la rueda colocarla en las ranuras del depósito también.

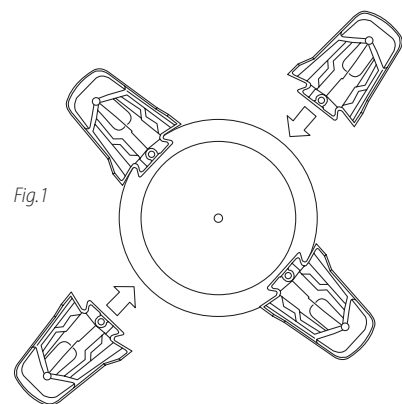
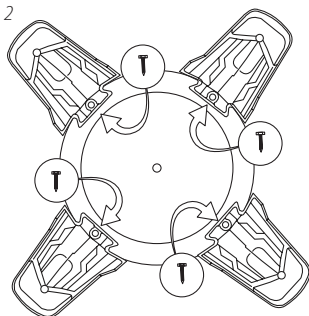


Fig. 1

3. Fijar la pata de la rueda **4** al depósito con los tornillos proporcionados **9**. Fig. 2.

Fig. 2



4. Insertar las ruedas **4** pivotantes **5** en las patas de las ruedas colocando los vástagos de las ruedas en los orificios provistos **4**. Presionar y girar hacia un lado y hacia otro hasta que las ruedas encajen en su sitio. Fig. 3.

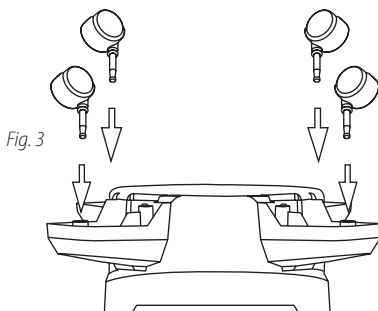


Fig. 3

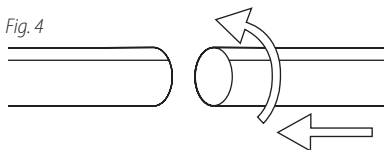
5. Volver a colocar el depósito en posición vertical.

INSTALACIÓN GENERAL

6. Antes de colocar la cubierta del depósito, consultar la sección **Aspiración en seco** o la sección **Aspiración de líquidos** en el manual del usuario para confirmar que están instalados los filtros correctos para el tipo de aspiración que se va a realizar.
7. Volver a colocar la cubierta del depósito y presionar con el pulgar cada traba hasta que quede en su lugar. Verificar que todas las trabas de la tapa están firmemente ajustadas.
8. Insertar la manguera **12** en la entrada del depósito **2**. No apretar en exceso.

9. Fijar las varas de extensión **11** al extremo del accesorio de la manguera **12**. Girar levemente para ajustar la conexión. **Fig. 4.**

Fig. 4



10. Fijar uno de los accesorios de limpieza (dependiendo del tipo 1 de limpieza deseada) en las varas de extensión **11**. Girar levemente para ajustar la conexión. **Fig. 4.**

11. Enchufar el cable **7** en el tomacorriente de la pared. La aspiradora está lista para ser usada.

I = ON (Encendida), O = OFF (Apagada)

INSTALACIÓN DEL FILTRO Y LIMPIEZA

Aspiración en seco

NOTA: Nunca usar la aspiradora para aspirar en seco sin el filtro de uso en seco instalado en la cesta de la tapa. Usar la aspiradora sin filtro hará que el polvo salga del puerto del soplador y dañe el motor.

INSTALACIÓN Y LIMPIEZA DEL FILTRO DE CARTUCHO **14**, **15** :

⚠ ADVERTENCIA: SIEMPRE DESENCHUFAR DEL TOMACORRIENTE DE LA PARED ANTES DE QUITAR LA CUBIERTA DEL DEPÓSITO.

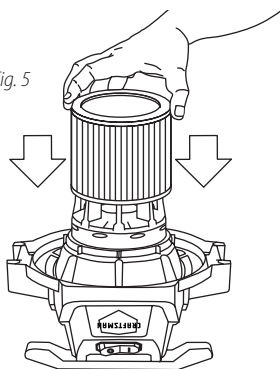
NOTA: Si la funda de espuma **16** está instalada en la cesta de la tapa, quitarla antes de instalar el filtro de cartucho **14**.

12. El filtro de cartucho **14** puede usarse para aspirar en seco y para aspirar pequeñas cantidades de líquido. La instalación es la misma para ambos. Para aspirar grandes cantidades de agua, recomendamos usar una funda de espuma **16** en lugar del filtro de cartucho **14**. Para aspirar polvo o partículas finas de polvo se debe usar una bolsa de filtro de alta eficiencia (solo algunos modelos) con el filtro de cartucho.

NOTA: Si el filtro de cartucho **14** se utilizó para aspirar líquidos, se deberá limpiar y dejar secar antes de utilizarse para aspirar en seco.

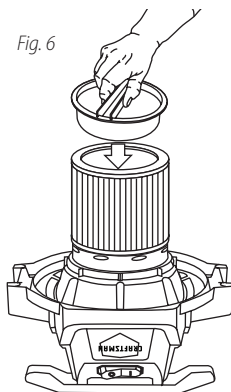
13. Con la cubierta del depósito dada vuelta, deslizar el filtro de cartucho **14** hacia abajo sobre la cesta de la tapa, jalando hasta que el filtro quede sellado contra la cubierta. **Fig. 5.**

Fig. 5



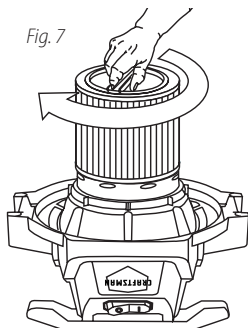
14. Colocar el retenedor del filtro **15** sobre la parte superior del filtro de cartucho **14**. **Fig. 6.**

Fig. 6



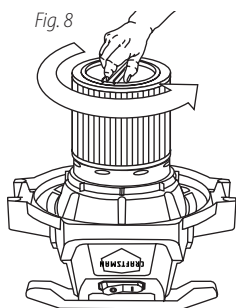
15. Sujetar la cubierta del depósito con una mano y girar la manija del retenedor del filtro **15** en sentido de las agujas del reloj para fijar el filtro **14** en su sitio. **Fig. 7.**

Fig. 7



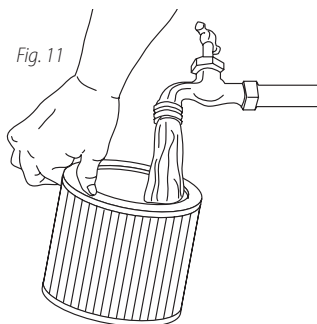
16. Para quitar el filtro **14** para limpiarlo, sujetar la cubierta del depósito y girar el retenedor del filtro **15** en sentido contrario a las agujas del reloj para aflojarlo y quitarlo.

Fig. 8.

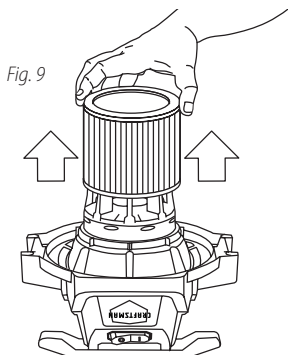


19. O enjuagar con agua (desde el interior del filtro **14**).

Fig. 11. Dejar secar por completo (aproximadamente 24 horas).



17. Deslizar el filtro del cartucho **14** para sacarlo de la cesta de la tapa. **Fig. 9.**



INSTALACIÓN DE LA BOLSA FILTRANTE **17**:

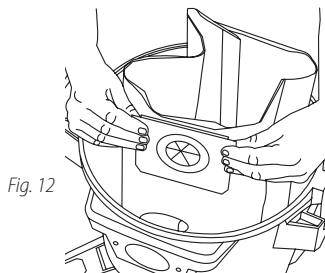
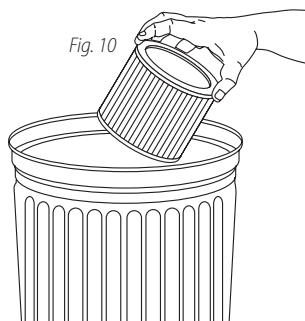
Para una fácil eliminación de los residuos, use la bolsa filtrante **17** descartable junto con el filtro de cartucho **14**. No se necesita la bolsa para la aspiración normal de sólidos. Cuando se recoge polvo fino o polvillo se debe usar una bolsa filtrante **17** de alta eficiencia (**no es común a todos los modelos**).

NOTA: Se debe utilizar solamente para la aspiración de materiales sólidos.

⚠ ADVERTENCIA: ASEGÚRESE DE QUE HAYA DESCONECTADO EL CABLE DEL TOMACORRIENTE, QUE SE HAYA RETIRADO LA CUBIERTA DEL DEPÓSITO Y QUE LA MANGUERA ESTÉ DESCONECTADA DE LA ENTRADA AL DEPÓSITO.

20. Agarre firmemente el collar de carton y deslice la protección de plástico por el ajuste de la entrada, lo mas fijo posible. **Fig. 12.**

18. Para limpiar el filtro **14** de cartucho, sacudir o limpiar con un cepillo el exceso de suciedad. **Fig. 10.**



21. Cuando la guarde, expanda la bolsa **17** y colóquela alrededor del interior del tanque. **Fig. 13.**

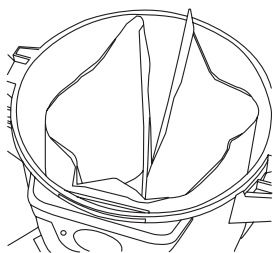


Fig. 13

⚠ ADVERTENCIA: MANTENER LOS FILTROS LIMPIOS. LA EFICIENCIA DE LA ASPIRADORA DEPENDE EN GRAN MEDIDA DEL FILTRO. UN FILTRO OBSTRUIDO PUEDE PROVOCAR EL SOBRECALENTAMIENTO DEL MOTOR Y POSIBLEMENTE DAÑAR LA ASPIRADORA. REVISAR EL FILTRO CON REGULARIDAD Y REEMPLAZARLO CUANDO SEA NECESARIO.

⚠ ADVERTENCIA: PARA ASPIRAR POLVO Y PARTÍCULAS FINAS DE POLVO

Para aspirar partículas finas de polvo, o polvo de cualquier tipo (yeso, polvo de tablaroca, cenizas frías, polvo de cemento, etc.) se debe usar una bolsa de filtro de alta eficiencia. Para aspirar el polvo y los residuos normales de un hogar se pueden usar bolsas de filtro descartables para uso doméstico

22. Inspeccionar el filtro **17** para verificar que no esté rasgado ni tenga pequeños orificios. Si el filtro está en buenas condiciones, volver a instalarlo. Para evitar dañar la aspiradora, no usar un filtro **17** rasgado o con agujeros.

ASPIRACIÓN DE LÍQUIDOS

23. La aspiradora puede usarse para aspirar líquidos. Retirar todo el polvo y los residuos que haya en el depósito. Quitar todos los filtros de aspiración en seco solamente, incluyendo la bolsa de filtro, **17** de la aspiradora.
24. Se puede usar un filtro de cartucho **14** limpio para aspirar pequeñas cantidades de líquido. Para usar el filtro de cartucho **14** hay que seguir las instrucciones para la instalación y limpieza de filtros en la sección de aspiración en seco.
25. Para aspirar grandes cantidades de líquido usar una funda de espuma **16**. Para usar la funda de espuma **16**, seguir las instrucciones de instalación en esta sección.

26. Si el filtro **16** se satura durante la aspiración de líquidos puede aparecer rocío en el aire de salida o goteo de líquido alrededor de la cubierta del depósito. Si esto ocurre, retirar el filtro y **16** dejarlo secar o recambiar por otro filtro seco.
27. Apagar la unidad inmediatamente después de terminar de aspirar líquidos o cuando el depósito esté lleno y listo para ser vaciado. Cuando el depósito está lleno la succión se reduce drásticamente. Consultar la sección "corte automático de la succión" en este manual. Elevar la manguera **12** para drenar cualquier exceso de líquido dentro del depósito. Seguir las instrucciones en la sección "Cómo vaciar los residuos líquidos" en este manual.
28. Antes de guardar la aspiradora o usarla para aspirar en seco, limpiar y secar el interior del depósito y la parte inferior de la cubierta del depósito. Limpiar los filtros y dejar que se sequen por completo.

NOTA: LOS ACCESORIOS PARA ASPIRAR LÍQUIDOS DEBEN LAVARSE EN FORMA PERIÓDICA; EN ESPECIAL DESPUÉS DE HABER ASPIRADO DERRAMES DE LÍQUIDOS PEGAJOSOS ESTO PUEDE HACERSE CON UNA SOLUCIÓN DE AGUA TIBIA Y JABÓN.

INSTALACIÓN Y LIMPIEZA DE LA FUNDA DE ESPUMA **16**:

29. Con la cubierta del depósito dada vuelta, deslizar la funda de espuma **16** sobre la cesta de la tapa jalando hasta que la funda **16** cubra por completa la cesta de la tapa.

Fig. 14.

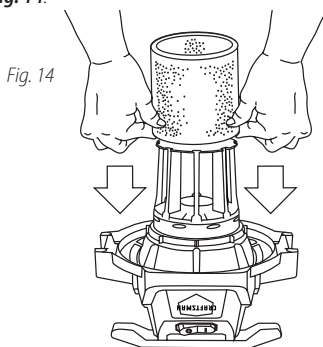


Fig. 14

⚠ ADVERTENCIA: PARA LIMPIAR LA FUNDA DE ESPUMA, DESCONECTAR EL ENCHUFE DEL TOMACORRIENTE DE LA PARED. RETIRAR LA CUBIERTA DEL DEPÓSITO Y COLOCAR LA CUBIERTA EN POSICIÓN INVERTIDA. RETIRAR LA FUNDA DE ESPUMA DESLIZÁNDOLA HACIA ARRIBA PARA SACARLA DE LA CESTA DE LA TAPA.

30. Sacudir el exceso de residuos de la funda de espuma **16** con un movimiento rápido hacia arriba y hacia abajo.

31. *Sostener la funda de espuma 16 debajo de un chorro de agua durante uno o dos minutos, enjuagando desde el interior del filtro. Dependiendo de la condición de la funda de espuma, no siempre se requiere la limpieza con agua.*
32. *Inspeccionar el filtro 16 para verificar que no esté rasgado. Si lo está, cambiar el filtro 16 por uno nuevo.*

FUNCIÓN DE SOPLADO

33. *Esta aspiradora puede utilizarse como un soplador 3 potente. Para usar la función de soplador 3, despeje cualquier suciedad u obstrucciones que pudiera haber en la manguera 12. Inserte el extremo de la manguera. Fig. 15. de la máquina en el puerto del soplador 3 ubicado en la parte trasera de la cubierta del depósito.*

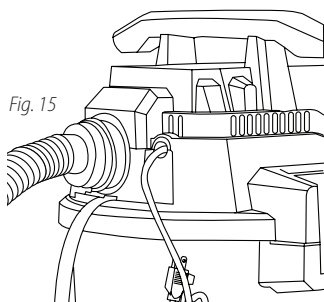


Fig. 15

⚠ ADVERTENCIA: SIEMPRE USAR GAFAS DE PROTECCIÓN PARA EVITAR QUE PIEDRAS O DESECHOS ENTREN O REBOTEN EN LOS OJOS O EN EL ROSTRO LO CUAL PUEDE

VACIADO DE RESIDUOS LÍQUIDOS DEL DEPÓSITO

34. *Para vaciar el residuo líquido del depósito, apague la aspiradora y desenchufe 7 del tomacorriente de pared. Retire la cubierta del depósito y vacíe el desecho líquido en un drenaje adecuado. Una vez que haya vaciado el depósito, regrese la cubierta del depósito a su posición original.*

CORTE AUTOMÁTICO DE LA SUCCIÓN

35. *La aspiradora está equipada con un corte automático de la succión que funciona cuando se aspiran líquidos. Hay un flotador interno que sube a medida que sube el nivel de líquidos en el depósito hasta que se asienta contra un sello en la entrada del motor, apagando la succión. Cuando esto ocurre, el motor producirá un ruido muy agudo y se reducirá drásticamente la succión. Si esto ocurre, apagar la unidad de inmediato. Si no se apaga la unidad después de que el flotador se eleve y apague la succión ocasionará daño grave al motor. Para continuar usando la aspiradora, vaciar el contenido de residuos líquidos del depósito como se describe en la sección anterior.*

NOTA: SI LA ASPIRADORA SE VUELCA ACCIDENTALMENTE, PODRÍA PERDER SUCCIÓN. SI ESTO OCURRE, APAGAR LA ASPIRADORA Y COLOCARLA EN POSICIÓN VERTICAL. ESTO PERMITIRÁ QUE EL FLOTADOR REGRESE A SU POSICIÓN NORMAL Y ASÍ SE PODRÁ CONTINUAR ASPIRANDO LÍQUIDOS.

LUBRICACIÓN

36. *Esta aspiradora no requiere lubricación ya que los motores cuentan con cojinetes lubricados de por vida.*

ALMACENAMIENTO DE HERRAMIENTAS

37. *Colocar la cubierta del depósito en el depósito. Colocar la parte posterior del depósito hacia usted.*
38. *Tomar el sujetador de herramientas 18 y deslizarlo sobre las muescas que se encuentran en la parte posterior del depósito. Fig. 16.*

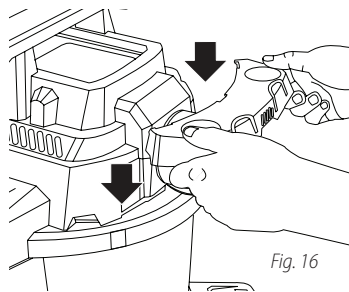


Fig. 16

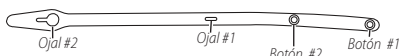
CORREA DE LA MANGUERA

39. *Enrolle la correa de la manguera 10 Fig. 17. alrededor de la manguera 12, alineando las áreas elevadas en la parte posterior de la correa dentro de una ranura en la manguera. Fig. 18.*
40. *Inserte el botón #1 dentro del ojal #1 Fig. 19. (esto puede ser difícil en un principio), continúe enrollando la correa de la manguera 10 alrededor de la manguera 12 Fig. 19. Inserte el botón #2 dentro del ojal #2. Fig. 20.*



Fig. 17

Área elevada
(se ajusta dentro de la ranura de la manguera para evitar que se deslice)



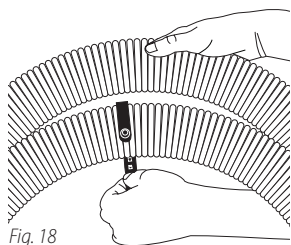


Fig. 18

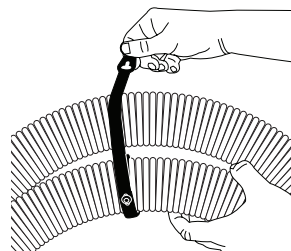


Fig. 19

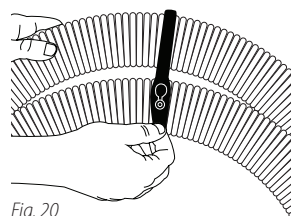


Fig. 20

41. Colocar las herramientas de la aspiradora en el sujetador de herramientas **18**. **Fig. 21. La aspiradora debe guardarse bajo techo.**

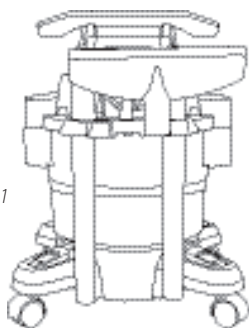


Fig. 21

Registrarse por Internet

Gracias por su compra. Registre su producto ahora para:

- **SERVICIO BAJO GARANTÍA:** Registrar su producto le servirá para obtener un servicio bajo garantía más eficiente si el producto tuviera algún problema.
- **CONFIRMACIÓN DE PROPIEDAD:** En caso de un siniestro de seguro como, por ejemplo, incendio, inundación o robo, el registro de propiedad del producto le servirá como comprobante de compra.
- **PARA SU SEGURIDAD:** Registrar su producto nos permitirá comunicarnos con usted en el caso poco probable de que se requiriera una notificación de seguridad en conformidad con la Ley Federal de Protección al Consumidor.

Registre su producto en línea en www.craftsman.com/registration

Garantía limitada de tres años

CRAFTSMAN reparará o reemplazará, sin cargo, cualquier defecto debido a fallas en los materiales o en la mano de obra durante tres años a partir de la fecha de compra. Esta garantía no cubre fallo de partes debido al desgaste normal o al uso indebido de herramientas. Para obtener más detalles sobre la cobertura de la garantía o información sobre las reparaciones bajo garantía, visite

www.craftsman.com o llame al **1-888-331-4569**. Esta garantía no aplica a accesorios o daños causados por reparaciones o tentativas de reparaciones realizadas por otros. **ESTA GARANTÍA LIMITADA SE OTORGA EN LUGAR DE CUALQUIER OTRA GARANTÍA, INCLUYENDO GARANTÍA IMPLÍCITA DE COMERCIABILIDAD E IDONEIDAD PARA UN FIN EN PARTICULAR, Y EXCLUYE TODOS LOS DAÑOS INCIDENTALES O DERIVADOS.** Algunos estados no permiten limitaciones de la duración de una garantía implícita o la exclusión o limitación de daños incidentales o derivados, por lo que estas limitaciones podrían no aplicarse en su caso. Esta garantía le otorga derechos legales específicos y es posible que usted tenga otros derechos dependiendo del estado o provincia en la que usted resida.

GARANTÍA DE DEVOLUCIÓN DE DINERO DE 90 DÍAS

Si usted no está completamente satisfecho con el rendimiento de su Aspiradora para sólidos y líquidos de CRAFTSMAN por alguna razón, puede devolverla dentro de los 90 días a partir de la fecha de compra presentando un recibo y se le reembolsará todo el dinero, sin hacerle preguntas.

AMÉRICA LATINA: Esta garantía no aplica a productos vendidos en América Latina. Para productos vendidos en América Latina, consultar la información de garantía específica de cada país contenida en el embalaje, llame a la compañía local o visite el sitio web para obtener información sobre la garantía.

REEMPLAZO GRATUITO DE ETIQUETAS DE

ADVERTENCIA: Si las etiquetas de advertencia se vuelven ilegibles o se pierden, llame al **1-888-331-4569** para que le envíen etiquetas de reemplazo en forma gratuita.

GUÍA PARA LA SOLUCIÓN DE PROBLEMAS

ASEGÚRESE DE SEGUIR LAS REGLAS E INSTRUCCIONES DE SEGURIDAD

Para obtener asistencia con su producto, visite nuestro sitio web en www.craftsman.com para ver la lista de centros de servicio, o llame a CRAFTSMAN a 1-888-331-4569.

PROBLEMA	CAUSA	CORRECCIÓN
Pérdida de succión al aspirar líquidos	Filtro obstruido.	Limpiar el filtro. Consultar los pasos 30 a 32 en las páginas 7, 8.
	Depósito lleno.	Vaciar el depósito. Consultar el paso 34 en la página 8.
Pérdida de succión al aspirar en seco	Depósito lleno.	Vaciar el depósito.
	Filtro obstruido.	Limpiar el filtro. Consultar los pasos 16 a 19 en las páginas 6.
Pérdida de succión o rocío durante la aspiración de líquidos	Depósito lleno.	Desagotar y limpiar el depósito. Consultar el paso 34 en la página 8.
	Filtro saturado.	Limpiar el filtro. Consultar el paso 26 en la página 7.

**La capacidad del depósito se refiere al volumen real del depósito, y no refleja la capacidad disponible durante el funcionamiento de la aspiradora.*

Définitions : Symboles et mots pour alerte à la sécurité

Le présent guide d'utilisation utilise les symboles et les mots pour alerte à la sécurité pour vous aviser de situations dangereuses et de votre risque de blessures corporelles ou de dommages matériels.

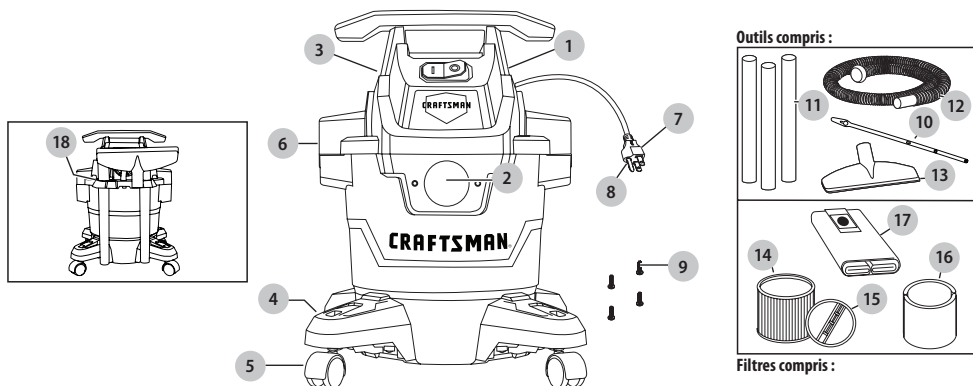
⚠ DANGER: indique une situation dangereuse éminente qui, si elle n'est pas évitée, **entraînera la mort ou de graves blessures.**

⚠ AVERTISSEMENT : indique une situation potentiellement dangereuse qui, si elle n'est pas évitée, **entraînera la mort ou de graves blessures.**

⚠ MISE EN GARDE : indique une situation potentiellement dangereuse qui, si elle n'est pas évitée, **pourrait entraîner des blessures mineures ou modérées.**

⚠ (Utilisé sans mot) indique un message lié à la sécurité.

NOTICE : indique une pratique **non liée à une blessure corporelle qui, si elle n'est pas évitée, pourrait entraîner des dommages matériels.**



COMPONENTS

- | | | | |
|------------------------------------|-----------------------------|---|----------------------|
| 1 Aspirateur | 6 Loquets du couvercle | 11 Tubes de rallonge (3) | 16 Manchon de mousse |
| 2 Admission du tuyau | 7 Fiche | 12 Tuyau | 17 Sac filtrant |
| 3 Port du souffleur (non illustré) | 8 Broche de mise à la terre | 13 Tête d'aspiration à usages multiples | 18 Porte-outils |
| 4 Patte de roulette (4) | 9 Vis (4) | 14 Filtre à cartouche | |
| 5 Roulettes (4) | 10 Sangle | 15 Anneau de retenue | |

⚠ AVERTISSEMENT : Lire tous les avertissements de sécurité et toutes les instructions. Toute omission de suivre les avertissements et les instructions pourrait entraîner un choc électrique, un incendie ou de graves blessures.

⚠ AVERTISSEMENT : Ne jamais modifier l'appareil ni aucune de ses pièces. Des dommages ou des blessures corporelles pourraient s'en suivre.

⚠ AVERTISSEMENT : Pour réduire le risque de blessure, lire le manuel d'utilisation.

Si vous avez des questions ou des commentaires concernant cet appareil ou tout autre produit, veuillez appeler CRAFTSMAN au numéro sans frais : 1 888 331-4569.

CMXEVBVCV430L

CONSIGNES DE SÉCURITÉ IMPORTANTES

! *Lisez attentivement les consignes de sécurité avant d'essayer de faire fonctionner l'appareil.*

! **DANGER:** *Ne jamais faire fonctionner cet appareil en présence de matériaux ou de vapeurs inflammables.*

Ce qui peut se produire

Puisque les appareils électriques peuvent produire des arcs ou des étincelles, les matériaux et les vapeurs inflammables peuvent causer un incendie ou une explosion.

Comment le prévenir

Ne jamais utiliser l'aspirateur à proximité de matériaux ou de vapeurs inflammables.

! **AVERTISSEMENT :**
**TOUJOURS DÉBRANCHER DE LA PRISE MURALE
AVANT DE RETIRER LE COUVERCLE DE LA CUVE.**

Ce qui peut se produire

L'aspirateur pourrait se mettre en marche.

Comment le prévenir

Toujours débrancher le cordon d'alimentation de la prise murale avant de retirer le couvercle de la cuve.

! **AVERTISSEMENT :**
**TOUJOURS PORTER DES LUNETTES DE
PROTECTION.**

Ce qui peut se produire

Des pierres ou des débris peuvent être projetés ou faire ricochet dans les yeux ou sur le visage et ainsi entraîner de graves blessures.

Comment le prévenir

Portez toujours des lunettes de protection lorsque vous utilisez l'aspirateur.

Lorsque vous utilisez un appareil électrique, des précautions de base doivent toujours être respectées, notamment : **LIRE TOUTES LES INSTRUCTIONS AVANT D'UTILISER CET APPAREIL.**

! **AVERTISSEMENT :** **POUR RÉDUIRE LE RISQUE DE D'INCENDIE, DE CHOC ÉLECTRIQUE OU DE BLESSURE :**

- Ne laissez pas l'appareil sans surveillance lorsqu'il est branché. Débranchez l'appareil de la prise lorsqu'il n'est pas utilisé et avant d'effectuer tout entretien. Branchez à une prise correctement mise à la terre. Consultez les instructions de mise à la terre.*
- N'exposez pas l'appareil à la pluie; rangez l'appareil à l'intérieur.*
- Ne laissez pas l'appareil être utilisé comme un jouet. Une attention particulière est requise lorsqu'il est*

utilisé par des enfants, ou à proximité de ceux-ci.

- Utilisez uniquement de la façon décrite dans le présent manuel. Utilisez uniquement les accessoires recommandés par le fabricant.*
- N'utilisez pas l'appareil si la fiche ou le cordon est endommagé. Si l'appareil ne fonctionne pas comme il se doit, a été échappé, endommagé, laissé à l'extérieur ou s'il est tombé dans l'eau, retournez-le au centre de service.*
- Ne tirez pas et ne transportez pas l'appareil par le cordon, ne fermez pas de porte sur le cordon et ne tirez pas sur le cordon à proximité d'arêtes vives ou de coins. Ne faites pas passer l'appareil sur le cordon. Gardez le cordon à l'écart des surfaces chauffées.*
- Ne débranchez pas l'appareil en tirant sur le cordon. Pour le débrancher, saisissez la fiche, pas le cordon.*
- Ne manipulez pas l'appareil avec les mains mouillées.*
- N'insérez pas d'objets dans les ouvertures. N'utilisez pas l'appareil si des ouvertures sont obstruées; gardez les ouvertures exemptes de poussière, de peluches, de cheveux et de tout ce qui peut réduire la circulation de l'air.*
- Gardez les cheveux, les vêtements amples, les doigts et toutes les parties du corps à l'écart des ouvertures et des pièces mobiles.*
- N'aspirez pas d'articles brûlants ou fumants, comme des cigarettes, des allumettes ou des cendres chaudes.*
- N'utilisez pas sans sac à poussière ou filtre en place. m) Éteignez toutes les commandes avant de débrancher l'appareil. n) Soyez prudent lors du nettoyage des escaliers.*
- N'utilisez pas l'appareil pour ramasser des liquides inflammables ou combustibles tels que de l'essence ou dans les zones où ils peuvent être présents.*
- N'utilisez pas l'aspirateur comme pulvérisateur de liquides inflammables tels que les peintures à base d'huile, les laques, les produits d'entretien ménager, etc.*
- N'aspirez pas de matières toxiques, cancérigènes, inflammables ou tout autre matière dangereuse, tels que l'amiante, l'arsenic, le baryum, le béryllium, le plomb, les pesticides, ou d'autres matériaux dangereux pour la santé. Des appareils sont spécialement conçus à cette fin.*
- N'aspirez pas de suie, de ciment, de plâtre ou de poussière de gypse sans filtre à cartouche et sac de collecte avec filtre en place. Ces particules sont très fines et risquent de passer à travers la mousse et ainsi nuire au rendement du moteur ou d'être rejetées dans l'air. D'autres sacs de collecte avec filtre sont disponibles.*
- Lorsque vous avez terminé vos travaux de nettoyage, ne laissez pas le cordon traîner sur le plancher. Cela peut constituer un risque de trébuchement.*

- t) *Soyez particulièrement prudent lors de la vidange des cuves très chargées.*
- u) *Pour éviter la combustion spontanée, vidanger la cuve après chaque utilisation.*
- v) *L'utilisation d'un aspirateur à usages multiples peut entraîner la projection d'objet dans les yeux, ce qui pourrait causer des blessures aux yeux. Portez toujours des lunettes de sécurité lors de l'utilisation d'un aspirateur.*
- w) **DEMEUREZ VIGILANT.** *Regardez ce que vous faites et usez de bon sens. N'utilisez pas l'aspirateur si vous êtes fatigué, distrait ou sous l'influence de drogues, d'alcool ou de médicaments provoquant une diminution des facultés.*
- x) **AVERTISSEMENT :** *Ne PAS utiliser cet aspirateur pour aspirer des débris de peinture au plomb, car cela peut disperser de fines particules de plomb dans l'air. Cet aspirateur n'est pas destiné à être utilisé en vertu du règlement 40 CFR Partie 745 de l'EPA concernant le nettoyage de matériel de peinture au plomb.*

CONSERVEZ TOUS LES AVERTISSEMENTS ET TOUTES LES INSTRUCTIONS POUR CONSULTATION ULTÉRIEURE

AVERTISSEMENT : **NE PAS LAISSER L'ASPIRATEUR SANS SURVEILLANCE LORSQU'IL EST BRANCHÉ OU EN MARCHÉ.**

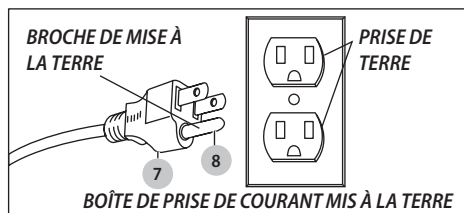
INSTRUCTIONS DE MISE À LA TERRE

Cet appareil doit être mis à la terre. En cas de dysfonctionnement ou de panne, la mise à la terre fournit un chemin de moindre résistance au courant électrique afin de réduire le risque de décharge électrique. Cet appareil est équipé d'un cordon muni d'un conducteur et d'une fiche de terre. La fiche doit être branchée dans une prise appropriée qui est bien installée et mise à la terre conformément à tous les codes et règlements locaux.

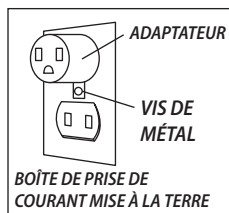
AVERTISSEMENT : **UN MAUVAIS RACCORDEMENT DU CONDUCTEUR DE MISE À LA TERRE PEUT ENTRAÎNER DES ÉLECTROCUTIONS. SI VOUS AVEZ DES DOUTES QUANT À LA MISE À LA TERRE DE LA PRISE, CONSULTEZ UN ÉLECTRICIEN OU DU PERSONNEL D'ENTRETIEN QUALIFIÉ. NE PAS MODIFIER LA FICHE FOURNIE AVEC L'APPAREIL SI ELLE NE CONVIENT PAS À LA PRISE, FAIRE PLUTÔT INSTALLER UNE PRISE ADÉQUATE PAR UN ÉLECTRICIEN QUALIFIÉ.**

Cet appareil ne doit être utilisé que sur un circuit d'une tension nominale de 120 volts et muni d'une prise mise à la terre 7 et

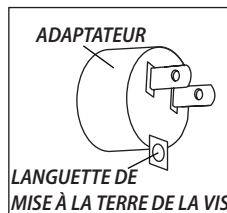
d'une broche de mise à la terre 8 semblable à la fiche illustrée sur le Dessin A. Un adaptateur temporaire semblable à celui illustré sur les Dessins B et C peut être utilisé pour brancher cette prise à une prise à deux pôles comme indiqué sur le Dessin B si une prise mise adéquatement à la terre n'est pas disponible. L'adaptateur temporaire ne doit être utilisé que jusqu'à ce qu'une prise de terre (Dessin A) puisse être installée par un électricien qualifié. La languette rigide verte, le tenon, ou toute autre chose de ce genre dépassant de l'adaptateur doivent être connectés à la terre de façon permanente comme sur un couvercle d'une boîte de prise de courant correctement reliée à la terre. Chaque fois que l'adaptateur est utilisé, il doit être maintenu en place au moyen d'une vis en métal.



Dessin A



Dessin B



Dessin C

AU CANADA, LE CODE CANADIEN DE L'ÉLECTRICITÉ INTERDIT L'UTILISATION D'UN ADAPTATEUR TEMPORAIRE. Assurez-vous que l'appareil est branché à une prise électrique ayant la même configuration que la fiche. Aucun adaptateur ne doit être utilisé avec cet appareil.

RALLONGES

Lorsque vous utilisez l'appareil à une distance depuis laquelle une rallonge est nécessaire, un cordon de mise à la terre à 3 conducteurs de taille adéquate doit être utilisé à des fins de sécurité et pour éviter la perte de puissance et la surchauffe. Consultez le TABLEAU A pour déterminer le fil de calibre AWG nécessaire. Pour déterminer l'ampérage de l'aspirateur, reportez-vous à la plaque signalétique située sur le caisson moteur.

Avant d'utiliser l'appareil, inspectez le cordon d'alimentation pour vérifier s'il y a des fils lâches ou exposés et si l'isolation est endommagée. Effectuez toutes les réparations ou tous les remplacements nécessaires avant d'utiliser l'appareil. Utilisez uniquement des rallonges à trois fils qui ont trois broches de mise à la terre et des prises à trois cavités qui acceptent la prise de la rallonge. Lorsque vous aspirez des liquides, assurez-vous que le branchement de la rallonge n'entre pas en contact avec du liquide.

NOTICE : **LES DÉCHARGES STATIQUES SONT FRÉQUENTES DANS LES RÉGIONS SÈCHES OU LORSQUE L'HUMIDITÉ RELATIVE**

DE L'AIR EST FAIBLE. CECI N'EST QUE TEMPORAIRE ET N'A AUCUNE INCIDENCE SUR L'UTILISATION DE L'APPAREIL. POUR RÉDUIRE LA FRÉQUENCE DES DÉCHARGES STATIQUES DANS VOTRE DEMEURE, LE MEILLEUR REMÈDE CONSISTE À AJOUTER DE L'HUMIDITÉ À L'AIR AU MOYEN D'UNE CONSOLE OU D'UN HUMIDIFICATEUR.

Volts	Longueur totale du cordon en pieds			
120V	25	50	100	150
Intensité nominale non Plus qu Plus que	AWG			
0 - 6	18	16	16	14
6 - 10	18	16	14	12
10 - 12	18	16	14	12

TABLEAU A

DÉBALLAGE

Tirez les loquets du couvercle **6** dans un mouvement extérieur afin de retirer le couvercle de la cuve. Retirez tous les accessoires et les documents qui pourraient avoir été emballés dans la cuve de l'aspirateur.

ASSEMBLAGE

Assemblage du système de roulettes

Vous trouverez quatre roulettes **5**, quatre pattes de roulette **4**, quatre vis **9** avec votre aspirateur pour ramassage de débris secs/humides.

Assemblez comme suit :

1. Alors que le cordon est débranché de la prise et que le couvercle de la cuve est enlevé, retournez la cuve de sorte que le bas fasse face vers le haut.
2. Avec la vidange de la cuve face à vous, prenez la patte de roulette **4** et insérez-la dans les fentes de la cuve, aussi.

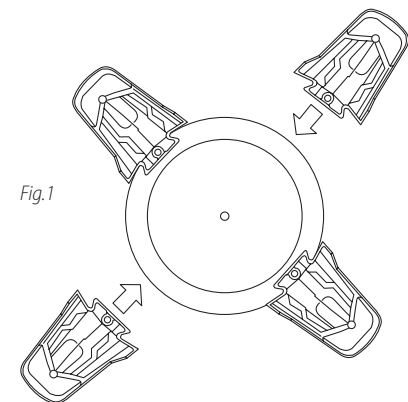
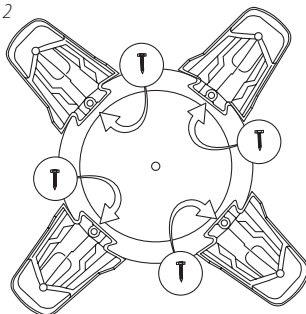


Fig.1

3. Fixez la patte de roulette **4** sur la cuve avec les vis fournies **9**. **Fig. 2.**

Fig. 2



4. Insérez les roulettes **5** dans les pattes à roulette en plaçant les tiges de roulette **4** dans les orifices fournis. Appliquez une pression et un mouvement de torsion jusqu'à ce que les roulettes s'enclenchent. **Fig. 3.**

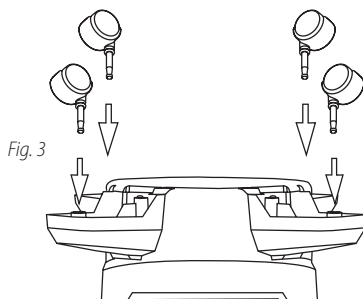


Fig. 3

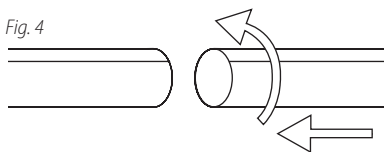
5. Retournez la cuve en position verticale.

CONFIGURATION GÉNÉRALE

6. Avant de remettre le couvercle de la cuve, reportez-vous à **Ramassage de déchets** ou **Ramassage de déchets humides** du présent manuel pour vous assurer d'avoir installé les filtres adéquats pour votre opération de nettoyage.
7. Remplacez le couvercle de la cuve, et appliquez une pression du pouce sur chaque loquet jusqu'à ce qu'ils s'enclenchent. Assurez-vous que tous les loquets du couvercle sont solidement fixés.
8. Insérez le tuyau **12** dans l'admission de la cuve **2**. Ne serrez pas trop.

9. Attachez les tubes de rallonge **11** à l'extrémité pour accessoire du tuyau **12**. Tordez légèrement pour serrer le raccord. **Fig. 4.**

Fig. 4



10. Fixez l'un des accessoires de nettoyage (en fonction de vos besoins de nettoyage) aux tubes de rallonge **11**. Tordez légèrement pour serrer le raccord. **Fig. 4.**

11. Branchez le cordon **7** dans la prise murale. Votre aspirateur est prêt à l'emploi.

I = EN MARCHÉ, O = À L'ARRÊT

INSTALLATION ET NETTOYAGE DU FILTRE

Ramassage de débris secs

REMARQUE : N'utilisez jamais l'aspirateur pour ramasser des débris secs sans avoir installé un filtre à sec sur le couvercle protecteur. L'utilisation de l'aspirateur sans filtre causera une décharge de poussière depuis le port du souffleur et pourrait endommager le moteur.

INSTALLATION ET NETTOYAGE DU FILTRE À CARTOUCHE **14, 15** :

⚠ AVERTISSEMENT :
TOUJOURS DÉBRANCHER LA PRISE MURALE AVANT DE RETIRER LE COUVERCLE DE LA CUVE.

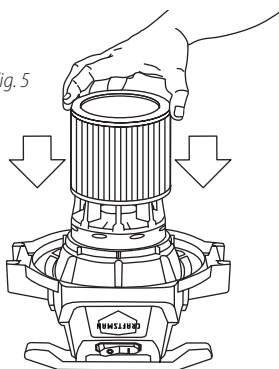
REMARQUE : Si un manchon de mousse **16** est installé sur le couvercle protecteur, retirez-le avant d'installer le filtre à cartouche **14**.

12. Le filtre à cartouche **14** peut être utilisé pour le ramassage à sec et le ramassage de petites quantités de débris humides. L'installation est la même. Lorsque vous ramassez de grandes quantités d'eau, nous recommandons l'utilisation d'un manchon de mousse **16** au lieu du filtre à cartouche **14**. Lors du ramassage de poussières ou de poudres fines, un sac à haut rendement (non standard sur tous les modèles) doit être utilisé avec le filtre à cartouche.

REMARQUE : Si un filtre à cartouche **14** a été utilisé pour le ramassage de débris humides, celui-ci doit être nettoyé et asséché avant de l'utiliser pour un ramassage à sec.

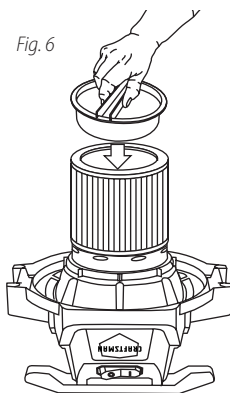
13. Alors que le couvercle de la cuve est renversé, glissez la cartouche filtrante **14** vers le bas sur le support de couvercle, et poussez jusqu'à ce que les joints du filtre reposent contre le couvercle. **Fig. 5.**

Fig. 5



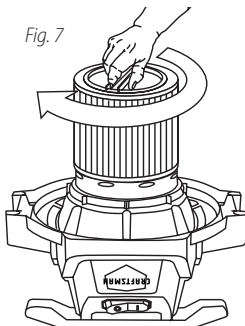
14. Placez le porte-filtre **15** dans la partie supérieure de la cartouche filtrante **14**. **Fig. 6.**

Fig. 6

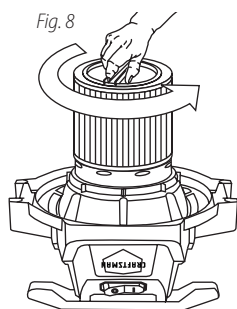


15. Tenez le couvercle de la cuve d'une main, tournez la poignée du porte-filtre **15** en sens horaire pour serrer et mettre le filtre en place. **Fig. 7.**

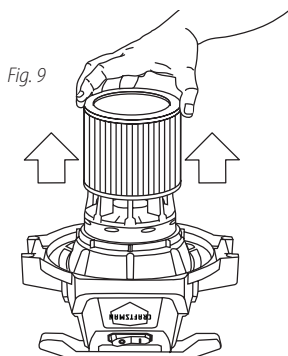
Fig. 7



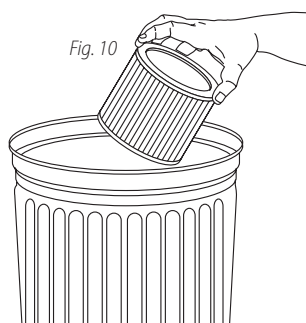
16. Pour retirer le filtre **14** pour le nettoyer, tenez le couvercle du réservoir d'une main, tournez le porte-filtre **15** dans le sens antihoraire pour le desserrer et l'enlever. **Fig. 8.**



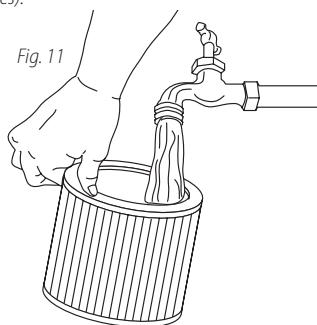
17. Faites glisser le filtre à cartouche **14** hors du couvercle protecteur. **Fig. 9.**



18. Pour nettoyer le filtre à cartouche **14**, agitez-le ou brossez l'excès de saleté. **Fig. 10.**



19. Ou rincez-le (depuis l'intérieur du filtre **14**) avec de l'eau. **Fig. 11.** Laissez le filtre sécher complètement (environ 24 heures).

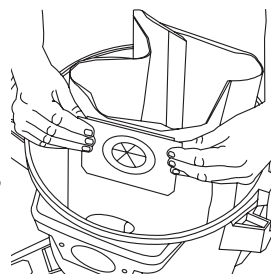


INSTALLATION DU SAC-FILTRE **17** :

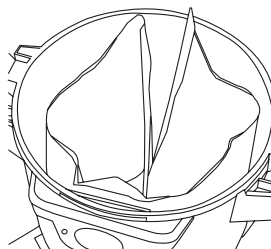
Utilisez le sac filtrant **17** jetable en conjonction avec la cartouche filtrante **14** pour faciliter l'élimination des débris. Le sac n'est pas requis pour le ramassage de déchets secs. Lors du ramassage de poussière fine ou de poudre, un sac filtrant haute efficacité (**non standard avec tous les modèles**) doit être utilisé. **NOTE :** Utilisez pour le ramassage de déchets secs uniquement.

⚠ AVERTISSEMENT :
ASSUREZ-VOUS QUE LE CORDON EST DÉBRANCHÉ DE LA PRISE, QUE LE COUVERCLE DU RÉSERVOIR EST ENLEVÉ ET QUE LE TUYAU D'ADMISSION EST DÉBRANCHÉ DU RÉSERVOIR.

20. Tenir fermement le collier en carton et glisser le protecteur en caoutchouc sur le raccord d'entrée. Aussi profondément que possible. **Fig. 12.**



21. Lorsque celui-ci est bien en place détendre le sac et le placer autour de l'intérieur du réservoir. **Fig. 13.**



⚠ AVERTISSEMENT :
CONSERVER LES FILTRES PROPRES L'EFFICACITÉ DE L'ASPIRATEUR DÉPEND GRANDEMENT DU FILTRE. UN FILTRE ENCRASSÉ PEUT ENTRAÎNER UNE SURCHAUFFE ET ENDOMMAGER L'ASPIRATEUR. VÉRIFIEZ LE FILTRE RÉGULIÈREMENT ET REMPLACEZ-LE AU BESOIN.

⚠ AVERTISSEMENT : **POUR LES POWDRES DE POUSSIÈRE FINE**

Lorsque vous aspirez de la poussière fine ou des poudres de toute sorte (plâtre, poussière de cloison sèche, cendres froides, poussière de béton, etc.) un sac-filtre à haut rendement pour cloison sèche doit être utilisé. Lorsque vous aspirez de la poussière et des débris ménagers normaux, un sac-filtre ménager jetable peut être utilisé.

22. Vérifiez si le filtre **17** comporte des déchirures ou de petits trous. S'il n'y en a pas, réinstallez le filtre **17**. Pour éviter d'endommager l'aspirateur, n'utilisez pas de filtre **17** comportant des déchirures ou des trous.

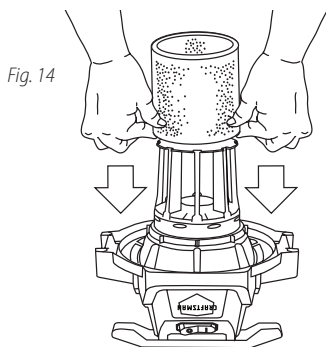
RAMASSAGE DE DÉCHETS HUMIDES

23. Votre aspirateur peut être utilisé pour ramasser des débris humides. Retirez TOUTE la poussière et TOUS les débris qui se trouvent dans la cuve. Retirez tous les filtres pour usage à sec seulement, y compris le sac-filtre, de l'aspirateur.
24. Un filtre à cartouche **14** propre peut être utilisé pour ramasser de petites quantités de liquide. Pour utiliser le filtre à cartouche **14**, veuillez suivre les directives de nettoyage et d'installation sous la rubrique de ramassage de débris secs.
25. Pour aspirer de grandes quantités de liquide, utilisez un manchon de mousse **16**. Pour utiliser le manchon de mousse **16**, veuillez suivre les directives d'installation comprises dans cette section.
26. De la brumisation dans l'air d'échappement ou le déversement de liquide autour du couvercle de la cuve pourrait se produire si le filtre **16** devient saturé durant le ramassage de débris humide. Si cela se produit, retirez le filtre et laissez-le sécher, ou remplacez-le avec un autre filtre pour ramassage de débris sec.
27. Mettez l'aspirateur hors tension dès que vous avez terminé d'aspirer du liquide ou si la cuve est pleine et prête à être vidée. L'aspiration sera grandement réduite lorsque la cuve est pleine. Reportez-vous à la section « arrêt automatique de l'aspiration » de ce manuel. Soulevez le tuyau **12** pour le vider, dans la cuve, de liquide en excès. Consultez la section « vidange des déchets liquides » de ce manuel.
28. Avant de ranger l'aspirateur ou de l'utiliser pour ramasser des déchets secs, nettoyez et séchez l'intérieur de la cuve et le dessous du couvercle de la cuve. Nettoyez les filtres et les laissez sécher entièrement à l'air.

REMARQUE : LES ACCESSOIRES POUR RAMASSAGE DE DÉBRIS HUMIDES DOIVENT ÊTRE LAVÉS RÉGULIÈREMENT; PARTICULIÈREMENT APRÈS LE RAMASSAGE DE DÉBRIS HUMIDES ET COLLANTS. CELA PEUT ÊTRE EFFECTUÉ AVEC UNE SOLUTION D'EAU TIÈDE ET DE SAVON.

INSTALLATION ET NETTOYAGE DU MANCHON **16** :

29. Couvercle de la cuve à l'envers, faites glisser le manchon de mousse **16** vers le bas, par dessus le couvercle protecteur en tirant jusqu'à ce que le manchon de mousse **16** couvre entièrement le couvercle protecteur.
Fig. 14.



⚠ AVERTISSEMENT :
POUR NETTOYER LE MANCHON DE MOUSSE, DÉBRANCHEZ LA FICHE DE LA PRISE MURALE. RETIREZ LE COUVERCLE DE LA CUVE ET METTEZ-LE À L'ENVERS. RETIREZ LE MANCHON DE MOUSSE EN LE FAISANT GLISSER HORS DU COUVERCLE PROTECTEUR.

30. Secouez-le pour éliminer l'excédant de poussière en effectuant un mouvement rapide de haut en bas.
31. Placez le manchon de mousse **16** sous l'eau courante pendant une minute ou deux, en le rinçant depuis l'intérieur du filtre. Un lavage à l'eau n'est pas toujours nécessaire, cela dépend de l'état du manchon de mousse.
32. Vérifiez toute présence de déchirures sur le filtre **16**. Si des déchirures sont présentes, remplacez-le filtre **16**.

CARACTÉRISTIQUE DU SOUFFLEUR

33. Votre aspirateur peut être utilisé comme un puissant souffleur **3**. Pour utiliser la fonction de souffleur **3**, nettoyez le tuyau **12** de tout débris ou de toute obstruction. Insérez l'extrémité appareil du tuyau dans l'admission dans l'orifice du souffleur situé à l'arrière du couvercle du réservoir. Tournez légèrement l'extrémité du tuyau pour serrer le raccordement. **Fig. 15**. En raison de la puissante force de l'air lors de l'utilisation de certains accessoires, il faut être prudent lors de l'utilisation d'un souffleur.

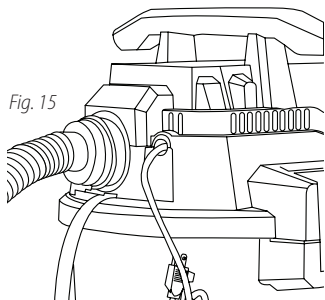


Fig. 15

⚠ AVERTISSEMENT :
TOUJOURS PORTER DES LUNETTES DE PROTECTION POUR ÉVITER QUE DES PIERRES OU DES DÉBRIS NE SOIENT SOUFFLÉS DANS LES YEUX OU LE VISAGE OU LES ATTEIGNENT PAR RICOCHET.

VIDANGE DES DÉCHETS LIQUIDES DU RÉSERVOIR

34. Pour vider les déchets liquides du réservoir, retournez l'aspirateur et débranchez la fiche **7** de la prise murale. Retirez le couvercle du réservoir et déposez les déchets liquides dans un drain approprié. Dès que le réservoir est vide, remettez le couvercle dans sa position initiale.

ARRÊT AUTOMATIQUE DE L'ASPIRATION

35. L'aspirateur est muni d'un arrêt automatique de l'aspiration qui fonctionne lors du ramassage de liquides. Tandis que le niveau du liquide monte dans la cuve, un flotteur interne se soulève jusqu'à ce qu'il repose contre un joint à l'admission du moteur, coupant ainsi l'aspiration. Lorsque cela se produit, le moteur émet un bruit plus fort qu'à l'accoutumée et l'aspiration est considérablement réduite. Si cela se produit, mettez immédiatement l'aspirateur hors tension. Le non respect de cette directive se traduira par des dommages importants au moteur. Pour continuer à utiliser l'aspirateur, videz les liquides de la cuve comme décrit à la section précédente.

REMARQUE : SI L'ASPIRATEUR EST RENVERSÉ PAR ACCIDENT, IL POURRAIT PERDRE DE L'ASPIRATION. SI CELA SE PRODUIT, METTEZ L'ASPIRATEUR HORS TENSION ET REMETTEZ-LE EN POSITION VERTICALE. LE FLOTTEUR POURRA AINSI PRENDRE SA POSITION NORMALE ET VOUS POURREZ CONTINUER À UTILISER L'ASPIRATEUR.

LUBRIFICATION

36. Comme le moteur est équipé de roulements lubrifiés à vie, aucune lubrification n'est requise.

RANGEMENT DES OUTILS

37. Placez le couvercle sur la cuve. Placez-le avec le dos du couvercle de la cuve face devant vous.
38. Prenez le porte-outils **18** et faites-le glisser sur les fentes situées à l'arrière de la cuve. **Fig. 16**.

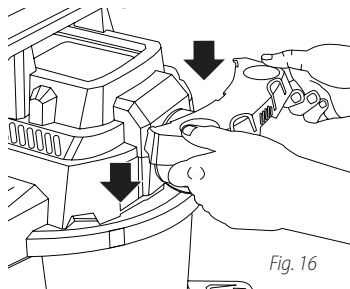


Fig. 16

SANGLE

39. Enroulez la sangle **10** **Fig. 17** autour du tuyau **12** en alignant les parties surélevées à l'arrière de la sangle **10** dans une encoche sur le tuyau. **Fig. 18**.
40. Insérez le bouton n° 1 dans le trou de bouton n° 1 **Fig. 19** (cela peut être difficile au début), continuez à enrouler la sangle autour du tuyau **Fig. 19**. Insérez le bouton n° 2 dans le trou de bouton n° 2. **Fig. 20**.

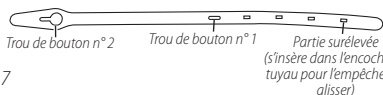


Fig. 17

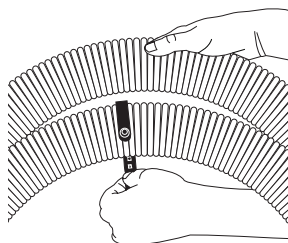
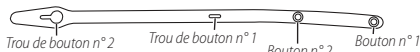


Fig. 18

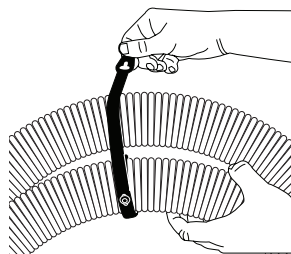


Fig. 19

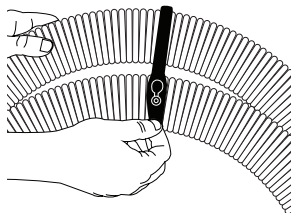


Fig. 20

41. Placez les outils de l'aspirateur sur le porte-outils 18.

Fig. 21. L'aspirateur doit être rangé à l'intérieur.

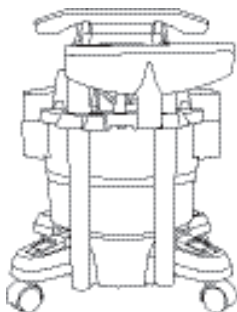


Fig. 21

Enregistrement en ligne

Nous vous remercions de votre achat. Enregistrez votre produit maintenant pour :

- **SERVICE DE GARANTIE** L'enregistrement de votre produit vous aider à obtenir un service de garantie plus efficace en cas de problème avec votre produit.
- **CONFIRMATION DE PROPRIÉTÉ** : Advenant un sinistre comme un incendie, une inondation ou un vol, votre enregistrement de propriété vous servira de preuve d'achat.
- **POUR VOTRE SÉCURITÉ** : L'enregistrement de votre produit nous permettra de vous contacter dans l'éventualité improbable qu'une notification de sécurité

soit requise en vertu de la Loi fédérale sur la protection du consommateur.

Register online at www.craftsman.com/registration

Garantie limitée de trois ans

CRAFTSMAN effectuera des réparations ou un remplacement, sans frais, pour toutes les défaillances causées par des matériaux défectueux ou de fabrication pendant une durée de trois ans à compter de la date d'achat. Cette garantie ne couvre pas la défaillance de pièces causées par une usure normale ou un usage abusif. Pour obtenir de plus amples renseignements concernant la couverture de la garantie et les renseignements relatifs aux réparations, consultez le site www.craftsman.com ou appelez au **1 888 331-4569**. Cette garantie ne s'applique pas aux accessoires ni aux dommages causés lorsque des réparations ont été effectuées ou lors de tentatives de réparation par autrui. CETTE GARANTIE LIMITÉE EST DONNÉE AU LIEU DE TOUTES LES AUTRES, NOTAMMENT LA GARANTIE IMPLICITE DE QUALITÉ MARCHANDE ET D'ADÉQUATION À UNE FIN PARTICULIÈRE, ET EXCLUT TOUS LES DOMMAGES ACCIDENTELS OU CONSÉCUTIFS. Certaines provinces ou États ne permettent pas de limites quant à la durée d'une garantie implicite ou l'exclusion ou une limite de dommages accidentels ou consécutifs; ces limites pourraient donc ne pas s'appliquer à vous. Cette garantie vous confère des droits légaux précis et vous pourriez avoir d'autres droits qui peuvent varier dans certains États ou certaines provinces.

GARANTIE DE REMBOURSEMENT DE 90 JOURS

Si vous n'êtes pas entièrement satisfait de la performance de votre aspirateur pour débris secs et humides CRAFTSMAN pour quelque motif que ce soit, vous pouvez le retourner dans un délai de 90 jours à compter de la date d'achat avec un reçu pour remboursement intégral; aucune question ne vous sera posée.

AMÉRIQUE LATINE : Cette garantie ne s'applique pas aux produits vendus en Amérique latine. Pour les produits vendus en Amérique latine, veuillez lire les renseignements de garantis précis contenus dans l'emballage, appelez la compagnie locale ou consultez le site Web pour obtenir des renseignements sur la garantie.

REMPACEMENT GRATUIT DES ÉTIQUETTES

D'AVERTISSEMENT : Si vos étiquettes d'avertissement deviennent illisibles ou sont manquantes, appelez au **1-888-331-4569** pour un remplacement gratuit.

GUIDE DE DÉPANNAGE

ASSUREZ-VOUS DE SUIVRE LES CONSIGNES DE SÉCURITÉ ET DE MISE À LA TERRE

Pour obtenir de l'aide avec votre produit, consultez notre site Web au www.craftsman.com pour obtenir la liste des centres de service, ou appelez CRAFTSMAN au 1 888 331-4569.

PROBLÈME	CAUSE	CORRECTIF
Perte d'aspiration lors d'un ramassage de débris humides	Filtre bouché	Nettoyez le filtre, voir les étapes 30 à 32 aux pages 7.
	Cuve pleine.	Videz la cuve, voir l'étape 34 à la page 8.
Perte d'aspiration lors d'un ramassage de débris secs	Cuve pleine.	Videz la cuve.
	Filtre bouché.	Nettoyez le filtre, voir les étapes 16 à 19 aux pages 6.
Perte d'aspiration ou de brumisation durant le ramassage de débris humides	Cuve pleine.	Videz et nettoyez la cuve, voir l'étape 34 à la page 8.
	Filtre saturé.	Nettoyez le filtre, voir l'étape 26 à la page 7.

* La capacité de la cuve fait référence à son volume réel et non à la capacité disponible durant le fonctionnement.

CRAFTSMAN®

is a registered trademark of Stanley Black & Decker, Inc., used under license.
 es una marca registrada de Stanley Black & Decker, Inc., utilizada bajo licencia.
 est une marque déposée de Stanley Black & Decker, Inc., utilisée sous licence.
 © 2019 CRAFTSMAN

Product Manufactured by: Shop-Vac Corporation
 Producto fabricado por: Shop-Vac Corporation
 Produit fabriqué par: Shop-Vac Corporation
 LICENSEE NAME: Shop Vac Corporation
 LICENSEE ADDRESS: Williamsport, PA
 U.S. & Canada Only • É.-U. et Canada seulement

