

CRAFTSMAN®

INSTRUCTION MANUAL | GUIDE D'UTILISATION | MANUAL DE INSTRUCCIONES

16 GA Finish Nailer
Cloueuse de finition 16 GA
Pistola de Clavos de Acabado Calibre 16

CMPFN16



IF YOU HAVE QUESTIONS OR COMMENTS, CONTACT US.
POUR TOUTE QUESTION OU TOUT COMMENTAIRE, NOUS CONTACTER.
SI TIENE DUDAS O COMENTARIOS, CONTÁCTENOS.

1-888-331-4569

WWW.CRAFTSMAN.COM

English (***original instructions***)

1

Français (*traduction de la notice d'instructions originale*)

11

Español (*traducido de las instrucciones originales*)

22

Definitions: Safety Alert Symbols and Words

This instruction manual uses the following safety alert symbols and words to alert you to hazardous situations and your risk of personal injury or property damage.



DANGER: Indicates an imminently hazardous situation which, if not avoided, **will** result in **death or serious injury**.



WARNING: Indicates a potentially hazardous situation which, if not avoided, **could** result in **death or serious injury**.



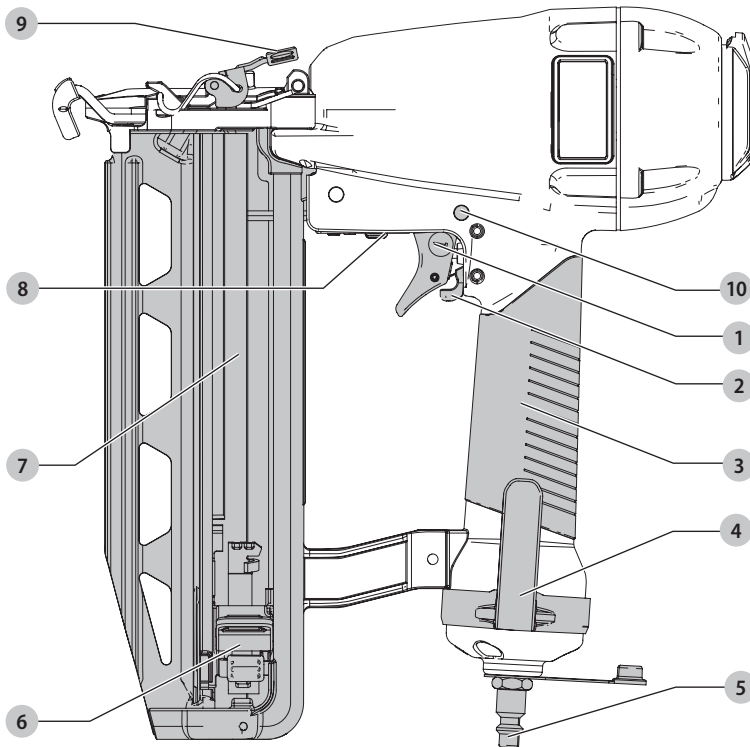
CAUTION: Indicates a potentially hazardous situation which, if not avoided, **may** result in **minor or moderate injury**.



(Used without word) Indicates a safety related message.

NOTICE: Indicates a practice **not related to personal injury** which, if not avoided, **may** result in **property damage**.

Fig. A



COMPONENTS

- 1 Trigger
- 2 Trigger lock
- 3 Grip
- 4 Belt hook
- 5 1/4" fitting
- 6 Magazine release lever
- 7 Pusher
- 8 Depth adjustment wheel
- 9 Jam clearing latch
- 10 Rubber gromet/dowel pin



WARNING: Read all safety warnings and all instructions. Failure to follow the warnings and instructions may result in electric shock, fire and/or serious injury.



WARNING: Never modify the product or any part of it. Damage or personal injury could result.



WARNING: To reduce the risk of injury, read the instruction manual.

If you have any questions or comments about this or any product, call CRAFTSMAN toll free at:
1-888-331-4569.

16 GA Finish Nailer CMPFN16

IMPORTANT SAFETY INSTRUCTIONS



WARNING: Only persons who have read and understand the tool operating/safety instructions should operate the tool.



WARNING: Actuating tool may result in flying debris, collation material, or dust which could harm operator's eyes. Operator and others in work area **MUST** wear safety glasses with side shields. These safety glasses must conform to ANSI Z87.1 requirements (approved glasses have "Z87" printed or stamped on them). Employer is responsible for enforcing the usage of eye protection equipment by the tool operator and all other personnel in the work area.



WARNING: Always assume that the tool contains fasteners.



WARNING: (Air and Supply)

- Do not use oxygen, combustible gases, or bottled gases as a power source for this tool as tool may explode, possibly causing injury.
- Do not use supply sources which can potentially exceed 200 p.s.i.g. (14 kg/cm²) as tool may burst, possibly causing injury.
- The connector on the tool must not hold pressure when air supply is disconnected. If a wrong fitting is used, the tool can remain charged with air after disconnecting and thus will be able to drive a fastener even after the air line is disconnected possibly causing injury.
- Do not pull the trigger while connected to the air supply as the tool may cycle, possibly causing injury.
- Always disconnect air supply: 1.) Before making adjustments; 2.) When servicing the tool; 3.) When clearing a jam; 4.) When tool is not in use; 5.) When moving to a different work area, as accidental actuation may occur, possibly causing injury.



WARNING: When loading tool:

- Never place a hand or any part of body in fastener discharge area of tool.
- Never point tool at yourself or anyone else.
- Do not pull the trigger as accidental actuation may occur, possibly causing injury.
- Be careful when handling fasteners, especially when loading and unloading, as the fasteners have sharp points.



WARNING: Do not operate tool if:

- There is any damage to air hose or fitting.
- The tool leaks air.
- The tool has received a sharp blow, malfunctions or is dropped or damaged in any manner. Return

tool to the nearest authorized service facility for examination, repair, or mechanical adjustment.

- Warning labels are missing or damaged.
- Tool is not in proper working order. Tags and physical segregation shall be used for control.
- Tool is without workpiece contact. A tool without workpiece contact can be fired unintentionally causing injury to an operator or a bystander.



WARNING: When operating the tool:

- Always handle the tool with care:
 - Never engage in horseplay.
 - Never pull the trigger unless nose is directed toward the work.
 - Never point the tool at yourself or others.
 - Keep others a safe distance from the tool while tool is in operation as accidental actuation may occur, possibly causing injury.
 - Keep bystanders and children away while operating tool.
 - Respect tool as a working implement.
 - Stay alert, focus on your work and use common sense when working with tools.
 - Do not use tool while tired, after having consumed drugs or alcohol, or while under the influence of medication.
 - Do not overreach. Only use in a safe working place.
 - Keep proper footing at all times.
- Drive fasteners into work surface only.
- When working close to an edge of a workpiece or at steep angles use care to minimize chipping, splitting or splintering, or free flight or ricochet of fasteners, which may cause injury.
- Do not drive fasteners on top of other fasteners or with the tool at an overly steep angle as this may cause deflection of fasteners which could cause injury.
- Do not load tool with fasteners when any one of the operating controls is activated.
- Use extra caution when driving fasteners into existing walls or other blind areas to prevent contact with hidden objects or persons on other side (e.g., wires, pipes.)
- The operator must not pull the trigger except during fastening operation as serious injury could result if the tool accidentally contacts someone or something, causing the tool to cycle.
- Keep hands and body away from the discharge area of the tool. The tool may bounce from the recoil of driving a fastener and an unwanted second fastener may be driven possibly causing injury.

- Check operation of the trigger mechanism frequently. Do not use the tool if the trigger is not working correctly as accidental driving of a fastener may result. Do not interfere with the proper operation of the trigger mechanism.
- Never inadvertently pull or grasp the trigger when moving about, changing work location, when holstering or hanging tool, or when preparing work surface for fastening operation.
- This tool produces SPARKS during operation. NEVER use the tool near flammable substances, gases or vapors including lacquer, paint, benzine, thinner, gasoline, adhesives, mastics, glues or any other material that is -- or the vapors, fumes or byproducts of which are -- flammable, combustible or explosive. Using the fastener in any such environment could cause an EXPLOSION resulting in personal injury or death to user and bystanders.



WARNING: After driving a fastener, tool may bounce back (“recoil”) causing it to move away from the work surface. To reduce risk of injury always manage recoil by:

- Always maintaining control of tool.
- Allowing recoil to move tool away from work surface.
- Not resisting recoil such that tool will be forced back into the work surface. In “Contact Actuation Mode,” if workpiece contact is allowed to re-contact work surface before the trigger is released, an unintended discharge of a fastener will occur.
- Keeping face and body parts away from tool.



WARNING: Disconnect tool:

- When not in use.
- When performing any maintenance or repairs,
- When clearing a jam.
- When elevating, lowering or otherwise moving tool to a new location.
- When tool is outside of the operator's supervision or control.
- When removing fasteners from the magazine.



WARNING: When maintaining the tool:

- Always shut off air supply, and disconnect tool from air supply when not in use.
- When working on air tools note the warnings in this manual and use extra care when evaluating problem tools.

Additional Safety Warnings



WARNING: Do not use this product to fasten electrical cables. Fastening electric wires / cables could result in electric shock or serious harm.



WARNING: Make sure there are no electrical cables, gas pipes, etc. that could cause a hazard if damaged by use of the tool.



WARNING: This tool is not intended for use in potentially explosive atmospheres and is not insulated from coming into contact with electrical power.

- Use the pneumatic tool only for the purpose for which it was designed.
- Do not use the tool as a hammer.
- Always carry the tool by the handle with hand off trigger/ triggers.
- Never lift, pull, lower, or carry the tool by the air hose.
- Whipping hoses can cause severe injury. Always check for damaged or loose hoses or fittings.
- Never direct compressed air at yourself or anyone else.
- Compressed air can cause severe injury.
- Do not alter or modify this tool from the original design or function without approval from CRAFTSMAN.
- Never clamp or tape the trigger in an actuated position.
- Ensure tool is always safely engaged on the workpiece and cannot slip.
- Never leave a tool unattended with the air hose attached.

TO PREVENT ACCIDENTAL INJURIES:

- Never place a hand or any other part of the body in fastener discharge area of tool while the air supply is connected.
- Never actuate the tool unless nose is directed at the work.
- Do not actuate the tool while loading.
- Keep hands and body parts away from the discharge area of the tool. While in use NEVER grasp the tool by the magazine or canister, a mis-driven fastener can exit the nose causing injury.

Additional Safety Information



WARNING: ALWAYS use safety glasses. Everyday eyeglasses are NOT safety glasses. Also use face or dust mask if cutting operation is dusty. ALWAYS WEAR CERTIFIED SAFETY EQUIPMENT:

- ANSI Z87.1 eye protection (CAN/CSA Z94.3),
- ANSI S12.6 (S3.19) hearing protection,
- NIOSH/OSHA/MSHA respiratory protection.



WARNING: Some dust created by power sanding, sawing, grinding, drilling, and other construction activities contains chemicals known to the State of California to cause cancer, birth defects or other reproductive harm. Some examples of these chemicals are:

- lead from lead-based paints,
- crystalline silica from bricks and cement and other masonry products, and
- arsenic and chromium from chemically-treated lumber.

Your risk from these exposures varies, depending on how often you do this type of work. To reduce your exposure to these chemicals: work in a well ventilated area, and work with approved safety equipment, such as those dust masks that are specially designed to filter out microscopic particles.

ENGLISH

- **Avoid prolonged contact with dust from power sanding, sawing, grinding, drilling, and other construction activities. Wear protective clothing and wash exposed areas with soap and water.** Allowing dust to get into your mouth, eyes, or lay on the skin may promote absorption of harmful chemicals.



WARNING: Use of this tool can generate and/or disperse dust, which may cause serious and permanent respiratory or other injury. Always use NIOSH/OSHA approved respiratory protection appropriate for the dust exposure. Direct particles away from face and body.



WARNING: Always wear proper personal hearing protection that conforms to ANSI S12.6 (S3.19) during use. Under some conditions and duration of use, noise from this product may contribute to hearing loss.



CAUTION: When not in use, place tool on its side on a stable surface where it will not cause a tripping or falling hazard. Some tools will stand upright but may be easily knocked over.

- **Air vents often cover moving parts and should be avoided.** Loose clothes, jewelry or long hair can be caught in moving parts.

SAVE THESE INSTRUCTIONS FOR FUTURE USE

COMPONENTS (FIG. A)

Intended Use

This nailer is designed for professional fastening applications and is capable of driving nails into wood.

DO NOT use with any materials other than wood.

DO NOT use under wet conditions or in presence of flammable liquids or gases.

DO NOT let children come into contact with the tool. Supervision is required when inexperienced operators use this tool.

Tool Specifications

	CMPFN16
Recommended Operating Pressure	70 – 100 p.s.i.g.(5 to 8.5 kg/cm ²)
Air Consumption per 100 Cycles	6.0 cfm @ 100 p.s.i.g.
Loading Capacity	100 Nails

Fastener Specifications

	CMPFN16
Lengths	1" - 2 1/2" (25.4 mm – 65 mm)
Fastener Gauge	16
Air Inlet	1/4" NPT

Adjustments and Usage Prep

Air Supply and Connections



WARNING: Do not use oxygen, combustible gases, or bottled gases as a power source for this tool as tool may explode, possibly causing injury. Use only clean regulated compressed air as a power source for this tool.

NOTICE: Do not exceed recommended maximum operating pressure as tool wear will be greatly increased. The air supply must be capable of maintaining the operating pressure at the tool. Pressure drops in the air supply can reduce the tool's driving power.

Tool Air Fitting



WARNING: Always use couplings that relieve all pressure from the tool when it is disconnected from the power supply. Always use hose connectors that shut off air supply from compressor when the tool is disconnected.

The tool is equipped with a 1/4" male quick connector fitting.

To Install an Air Fitting

1. Wrap the male end of the fitting with thread seal tape prior to assembly to eliminate air leaks.
2. Screw fitting directly into the air inlet and tighten firmly.

NOTE: If an adapter is in the air inlet, remove it prior to inserting the fitting.

NOTE: A 3/8" (9.5 mm) supply line (and fittings) should be used for high volume nailing. This fitting requires a 3/8" (9.5 mm) adapter. Both fitting and adapter are available from CRAFTSMAN. Refer to **Accessories**.

Operating Pressure



WARNING: Do not exceed recommended maximum operating pressure as tool wear will be greatly increased. The air supply must be capable of maintaining the operating pressure at the tool. Pressure drops in the air supply can reduce the tool's driving power. Refer to **Tool Specifications** for setting the correct operating pressure for the tool.

Hoses



WARNING: Air hoses should have a minimum working pressure rating of 150 percent of the maximum pressure that could be produced in the air system. Refer to **Tool Specifications** for the correct operating pressure for the tool. The supply hose should contain a fitting that will provide "quick disconnect" from the male fitting on the tool.

Oil Free Motor

The fastener is designed to be used without the need to add any air tool oil and still deliver long life. If air tool oil is added to tool it will still function properly.

ASSEMBLY AND ADJUSTMENTS

⚠ WARNING: To reduce the risk of serious personal injury, turn unit off and remove air supply before making any adjustments or removing/installing attachments or accessories. An accidental actuation can cause injury.

Preparing the Tool

⚠ WARNING: Read the section titled **IMPORTANT SAFETY INSTRUCTIONS** at the beginning of this manual. Always wear proper eye [ANSI Z87.1 (CAN/CSA Z94.3)] and hearing protection [ANSI S12.6 (S3.19)] when operating this tool. Keep the fastener pointed away from yourself and others. For safe operation, complete the following procedures and checks before each use of the fastener.



NOTICE: These nailers are designed to be used without oil.

- Before you use the tool, be sure that the compressor tanks have been properly drained.
- Wear proper eye, hearing and respiratory protection.
- Remove all fasteners from the magazine.
- Check for smooth and proper operation of contact trip and pusher assemblies. Do not use tool if either assembly is not functioning properly. NEVER use a tool that has the contact trip restrained in the up position.
- Check air supply: Ensure air pressure does not exceed operating limits; 70 to 120 p.s.i.g., (5 to 8.5 kg/cm²).
- Connect air hose.
- Check for audible leaks around valves and gaskets. Never use a tool that leaks or has damaged parts.




Trigger

⚠ WARNING: Keep fingers AWAY from trigger when not driving fasteners to avoid accidental firing. Never carry tool with finger on trigger. In bump action mode (contact actuation mode) tool will fire a fastener if safety is bumped while trigger is depressed.

In accordance with the ANSI Standard SNT-101-2015, the CRAFTSMAN nailers are assembled with a sequential action trigger. For a replacement trigger contact your authorized service center.

The gray trigger  with imprinted on the side, is the single sequential action trigger and causes the tool to operate in this mode. The black trigger  with imprinted on the side, is the bump action trigger and permits the tool to be actuated in this manner. For defining the use of the sequential action trigger and bump action trigger, see the **Actuating Tool** section of this manual.

Trigger Removal (Fig. A, B)

1. Lock off the trigger .
2. Remove air from the tool.
3. Remove rubber grommet  from end of dowel pin .
4. Remove dowel pin.

5. Remove trigger assembly from trigger cavity under the handle of the tool housing.

Trigger Installation (Fig. B)

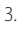


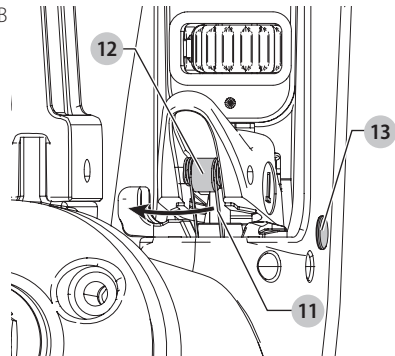
1. Select appropriate trigger assembly to be installed on the tool.
2. Insert the trigger assembly into trigger cavity.
3. Ensure that trigger spring  is placed around the trigger valve stem .
4. Align the holes of the trigger with the housing holes , then insert the dowel pin through the entire assembly as shown.
5. Push the rubber grommet onto the end of the dowel pin.

Fig. B



OPERATION

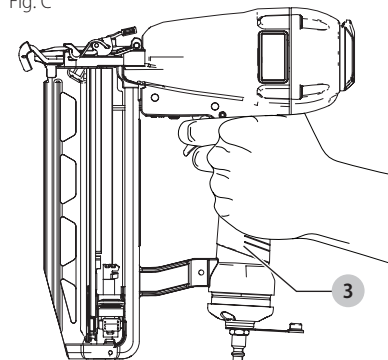
⚠ WARNING: To reduce the risk of serious personal injury, turn unit off and remove air supply before making any adjustments or removing/installing attachments or accessories. An accidental actuation can cause injury.

Proper Hand Position (Fig. C)




⚠ WARNING: To reduce the risk of serious personal injury, ALWAYS use proper hand position as shown.

⚠ WARNING: To reduce the risk of serious personal injury, ALWAYS hold securely in anticipation of a sudden reaction.

Proper hand position requires one hand on the grip .

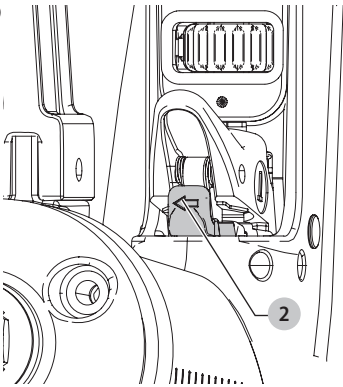


Using the Lock-Off (Fig. D)

-  **WARNING:** To reduce the risk of injury, Always wear proper eye [ANSI Z87.1 (CAN/CSA Z94.3)] and hearing protection [ANSI S12.6 (S3.19)] when operating this tool.
-  **WARNING:** Do not keep trigger depressed when tool is not in use. Keep the lock-off switch rotated to the right (OFF) when the tool is not in use. Serious personal injury may result.
-  **WARNING:** Lock-off trigger, disconnect air line from tool and remove fasteners from magazine before making adjustments. Serious personal injury may result.

This nailer is equipped with a trigger lock-off **2** which when rotated to the right, prevents the tool from actuating. When the switch is centered, the tool will be fully operational. The trigger should always be locked off whenever any adjustments are made or when tool is not in use.

Fig. D



Loading Fasteners (Fig. A, E, F)

1. Disconnect the air supply from tool.
2. Disengage the magazine release lever **6** and pull back the pusher **7**.
3. With magazine fully open insert fasteners. Points must be against bottom of magazine.
4. Push magazine forward.

Fig. E

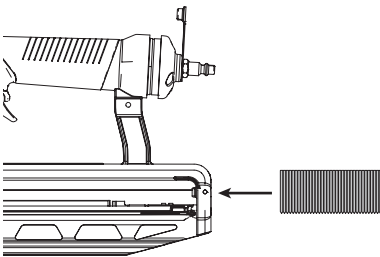
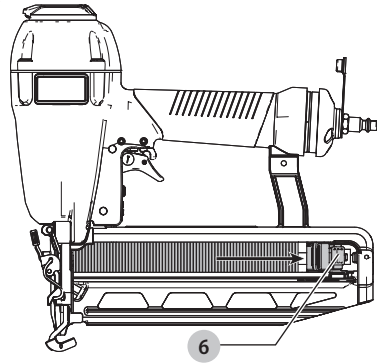



Fig. F



Actuating Tool

-  **WARNING:** To reduce the risk of injury, Always wear proper eye [ANSI Z87.1 (CAN/CSA Z94.3)] and hearing protection [ANSI S12.6 (S3.19)] when operating this tool.


The tool can be actuated using one of two modes: single sequential action trigger mode and bump action trigger mode.

Sequential Action Trigger - Gray Trigger (Fig. A)

The sequential action trigger's intended use is for intermittent fastening where very careful and accurate placement is desired.

To Operate the Nailer in Sequential Action Mode

1. Depress the contact trip firmly against the work surface.
2. Pull the trigger **1**.

-  **WARNING:** A fastener will be driven each time the trigger is pulled as long as the contact trip remains depressed which could result in accidental driving.

Bump Action Trigger - Black Trigger (Fig. A)

The bump action trigger's intended use is for rapid fastening on flat, stationary surfaces.

Using the bump action trigger, two methods are available: place actuation and bump actuation.

To Operate the Tool Using the Place Actuation Method

1. Push the contact trip against the work surface.
2. Pull the trigger **1**.

To Operate the Tool Using the Bump Actuation Method

1. Pull the trigger **1**.
2. Push the contact trip against the work surface. As long as the trigger is pulled, the tool will drive a fastener every time the contact trip is depressed. This allows the user to drive multiple fasteners in sequence.

-  **WARNING:** Do not keep trigger pulled when tool is not in use.

Adjusting Depth (Fig. G)

⚠ WARNING: To reduce the risk of serious personal injury, turn unit off and remove air supply before making any adjustments or removing/installing attachments or accessories. An accidental actuation can cause injury.

The depth that the fastener is driven can be adjusted using the depth adjustment wheel next to the trigger of the tool.

1. To drive the fastener shallower, rotate the depth adjustment wheel **8** to the right.
2. To drive a fastener deeper, rotate the depth adjustment wheel **8** to the left.

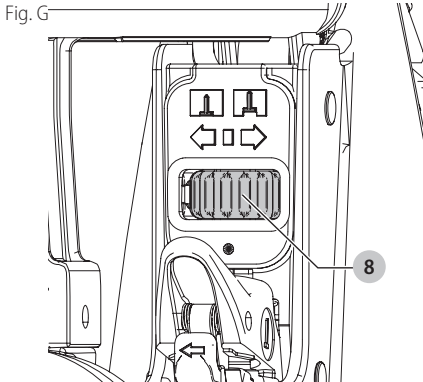


Fig. H

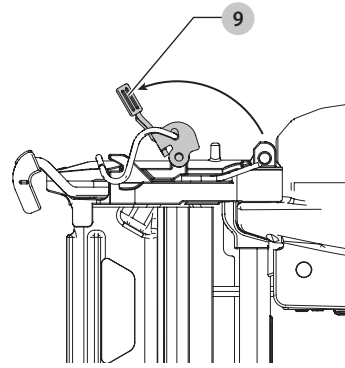
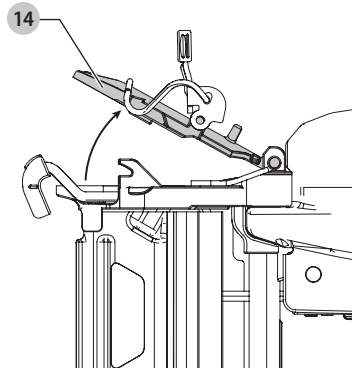


Fig. I



Clearing a Jammed Fastener (Fig. A, H, I)

⚠ WARNING: To reduce the risk of serious personal injury, turn unit off and remove air supply before making any adjustments or removing/installing attachments or accessories. An accidental actuation can cause injury.

If a nail becomes jammed in the nosepiece, keep the tool pointed away from you and follow these instructions to clear:

1. Disconnect the tool from the air supply.
2. Release magazine release lever **6** from behind nails.
3. Push down jam clearing latch **9** then pull up to open front door **14**.
4. Remove bent nail, using pliers if necessary.
5. If driver blade is in the down position, insert screwdriver or other rod into nosepiece and push driver blade back in position.
6. Remove rod and close front door.
7. Lift latch to secure door to nosepiece.
8. Reinsert nails into magazine (refer to **Loading Fasteners**).
9. Release magazine release lever **6**.
10. Reattach air supply.

NOTE: Should nails continue to jam frequently in nosepiece, have tool serviced by an authorized service center.

Cold Weather Operation

⚠ WARNING: To reduce the risk of serious personal injury, turn unit off and remove air supply before making any adjustments or removing/installing attachments or accessories. An accidental actuation can cause injury.

⚠ WARNING: Do not store tools in a cold weather environment to prevent frost or ice formation on the tools operating valves and mechanisms that could cause tool failure.

⚠ WARNING: Some commercial air line drying liquids are harmful to "O"-rings and seals – do not use these low temperature air dryers without checking compatibility.

When operating tools at temperatures below freezing:

1. Make sure compressor tanks have been properly drained prior to use.
2. Keep tool as warm as possible prior to use.
3. Make certain all fasteners have been removed from magazine.
4. Lower air pressure to 80 p.s.i.g. (5.7 kg/cm²) or less.
5. Reconnect air and load nails into magazine.

ENGLISH

6. Turn pressure up to operating level (not to exceed 120 p.s.i.g. [8 kg/cm²]) and use tool as normal.
7. Always drain the compressor tanks at least once a day.

Hot Weather Operation

Tool should operate normally. However, keep tool out of direct sunlight as excessive heat can deteriorate bumpers, o-rings and other rubber parts resulting in increased maintenance.

MAINTENANCE

WARNING: To reduce the risk of serious personal injury, turn unit off and remove air supply before making any adjustments or removing/installing attachments or accessories. An accidental actuation can cause injury.

Accessories

WARNING: Since accessories, other than those offered by CRAFTSMAN, have not been tested with this product, use of such accessories with this tool could be hazardous. To reduce the risk of injury, only CRAFTSMAN recommended accessories should be used with this product.

Recommended accessories for use with your tool are available at extra cost from your local dealer or authorized service center. If you need assistance in locating any accessory, please contact CRAFTSMAN, call 1-888-331-4569.

Versatrack™ (Fig. J)

WARNING: To reduce the risk of serious personal injury, turn unit off and remove air supply before making any adjustments or removing/installing attachments or accessories. An accidental actuation can cause injury.

WARNING: To reduce the risk of serious personal injury, do not use a damaged Versatrack™ hang hook or Versatrack™ Trackwall. A damaged Versatrack™ hang hook or Versatrack™ Trackwall will not support the weight of the tool.

WARNING: To reduce the risk of serious personal injury, ensure the fitting holding the hang hook is secure.

WARNING: To reduce the risk of serious personal injury, DO NOT suspend tool overhead or suspend objects from the hang hook. ONLY suspend tool on the Versatrack™ Trackwall using the hang hook.

WARNING: Ensure that the tool weight does not exceed the maximum rated weight for the selected Versatrack™ hook.

WARNING: When hanging objects on a Versatrack™ Trackwall rail, adequately space the tools in order to not exceed 75 lb (35 kg) per linear foot.

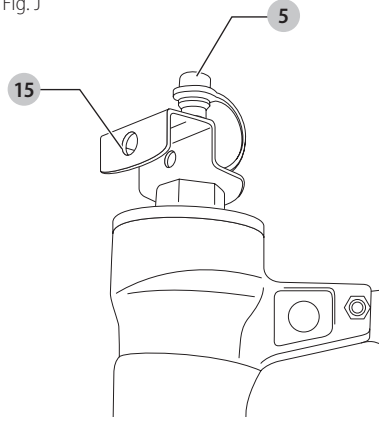
IMPORTANT: Versatrack™ accessories mount compatible tools securely to the Versatrack™ Trackwall system.

1. Turn tool off, remove air supply and remove accessories.

CAUTION: Any product with exposed cutting teeth must have them covered securely if it is to be on the Versatrack™ Trackwall.

2. Attach the hang hook 15 on the tool.
 - a. Use a wrench to remove the fitting 5.
 - b. Place the Versatrack™ hang hook on the fitting.
 - c. Use a wrench to re-install the fitting at the base of the tool.

NOTE: Versatrack™ accessories for use with your tool are available at extra cost from your local dealer or authorized service center. If you need assistance in locating any accessory, please contact CRAFTSMAN, call 1-888-331-4569.
Fig. J



Belt Hook (Fig. A)

WARNING: Never use belt hook with bump action trigger installed on tool.

The nailers include an integrated belt hook 4 and can be hooked to either side of the tool to accommodate left or right handed users.

If the hook is not desired at all, it can be removed from the tool.

To Remove Belt Hook

1. Disconnect the tool from the air supply.
2. Lift the lever and slowly move the belt hook to the direction of the trigger.
3. Using the appropriate hex wrench, remove the end cap screws from the end cap of the tool.
4. Remove the belt hook.
5. Replace end cap and gasket. Ensure that the three screws are tight.
6. Replace and tighten air fitting.

Cleaning



WARNING: Blow dirt and dust out of all air vents with clean, dry air at least once a week. To minimize the risk of eye injury, always wear ANSI Z87.1 approved eye protection when performing this.



WARNING: Never use solvents or other harsh chemicals for cleaning the non-metallic parts of the tool. These chemicals may weaken the plastic materials used in these parts. Use a cloth dampened only with water and mild soap. Never let any liquid get inside the tool; never immerse any part of the tool into a liquid.

Repairs



WARNING: To assure product SAFETY and RELIABILITY, repairs, maintenance and adjustment (including brush inspection and replacement, when applicable) should be performed by a CRAFTSMAN factory service center or a CRAFTSMAN authorized service center. Always use identical replacement parts.

Register Online

Thank you for your purchase. Register your product now for:

- **WARRANTY SERVICE:** Registering your product will help you obtain more efficient warranty service in case there is a problem with your product.
- **CONFIRMATION OF OWNERSHIP:** In case of an insurance loss, such as fire, flood or theft, your registration of ownership will serve as your proof of purchase.
- **FOR YOUR SAFETY:** Registering your product will allow us to contact you in the unlikely event a safety notification is required under the Federal Consumer Safety Act.

Register online at www.craftsman.com/registration

Three Year Limited Warranty

CRAFTSMAN will repair or replace, without charge, any defects due to faulty materials or workmanship for three years from the date of purchase. This warranty does not cover part failure due to normal wear or tool abuse. For further detail of warranty coverage and warranty repair information, visit www.craftsman.com or call **1-888-331-4569**. This warranty does not apply to accessories or damage caused where repairs have been made or attempted by others. THIS LIMITED WARRANTY IS GIVEN IN LIEU OF ALL OTHERS, INCLUDING THE IMPLIED WARRANTY OF MERCHANTABILITY AND FITNESS FOR A PARTICULAR PURPOSE, AND EXCLUDES ALL INCIDENTAL OR CONSEQUENTIAL DAMAGES. Some states do not allow limitations on how long an implied warranty lasts or the exclusion or limitation of incidental or consequential damages, so these limitations may not apply to you. This warranty gives you specific legal rights and you may have other rights which vary in certain states or provinces.

90 DAY MONEY BACK GUARANTEE

If you are not completely satisfied with the performance of your CRAFTSMAN Power Tool or Nailer for any reason, you can return it within 90 days from the date of purchase with a receipt for a full refund – no questions asked.

LATIN AMERICA: This warranty does not apply to products sold in Latin America. For products sold in Latin America, see country specific warranty information contained in the packaging, call the local company or see website for warranty information.

FREE WARNING LABEL REPLACEMENT: If your warning labels become illegible or are missing, call **1-888-331-4569** for a free replacement.

Troubleshooting

Problem	Cause	Correction
Trigger valve housing leaks air.	O-ring cut or cracked.	Replace O-ring.
Trigger valve stem leaks air.	O-ring/seals cut or cracked.	Replace trigger valve assembly.
Frame/nose leaks air.	Loose nose screws.	Tighten and recheck.
	O-ring or Gasket is cut or cracked.	Replace O-ring or gasket.
	Bumper cracked/worn.	Replace bumper.
Frame/cap leaks air.	Damaged gasket or seal.	Replace gasket or seal.
	Cracked/worn head valve bumper.	Replace bumper.
	Loose cap screws.	Tighten and recheck.
Failure to cycle.	Air supply restriction.	Check air supply equipment.
	Worn head valve O-rings.	Replace O-rings.
	Broken cylinder cap spring.	Replace cylinder cap spring.
	Head valve stuck in cap.	Disassemble/Check.
Lack of power; slow to cycle.	Broken cylinder cap spring.	Replace cap spring.
	O-rings/seals cut or cracked.	Replace O-rings/seals.
	Exhaust blocked .	Check bumper, head valve spring, muffler.
	Trigger assembly worn/leaks.	Replace trigger assembly.
	Dirt/tar build up on driver.	Disassemble nose/driver to clean.
	Cylinder sleeve not seated correctly on bottom bumper.	Disassemble to correct.
	Air pressure too low.	Check air supply equipment.
Skipping fasteners; intermittent feed.	Worn bumper.	Replace bumper.
	Tar/dirt in driver channel.	Disassemble and clean nose and driver.
	Air restriction/inadequate air flow through quick disconnect socket and plug.	Replace quick disconnect fittings.
	Worn piston O-ring.	Replace O-ring, check driver.
	Damaged pusher spring.	Replace spring.
	Low air pressure.	Check air supply system to tool.
	Loose magazine nose screws.	Tighten all screws.
	Fasteners too short for tool.	Use only recommended fasteners.
	Bent fasteners.	Discontinue using these fasteners.
	Wrong size fasteners.	Use only recommended fasteners.
	Leaking head cap gasket.	Tighten screws/replace gasket.
	Trigger valve O-ring cut/worn.	Replace O-ring.
	Broken/chipped driver.	Replace driver (check piston O-ring).
Worn magazine.	Replace magazine.	
Fasteners jam in tool.	Driver channel worn.	Replace nose/check door.
	Wrong size fasteners.	Use only recommended fasteners.
	Bent fasteners.	Discontinue using these fasteners.
	Loose magazine/nose screws.	Tighten all screws.
	Broken/chipped driver.	Replace driver.

Définitions : symboles et termes d'alarmes sécurité

Ces guides d'utilisation utilisent les symboles et termes d'alarmes sécurité suivants pour vous prévenir de situations dangereuses et de risques de dommages corporels ou matériels.



DANGER : indique une situation dangereuse imminente qui, si elle n'est pas évitée, **entraînera la mort ou des blessures graves**.



AVERTISSEMENT : indique une situation potentiellement dangereuse qui, si elle n'est pas évitée, **pourrait entraîner la mort ou des blessures graves**.



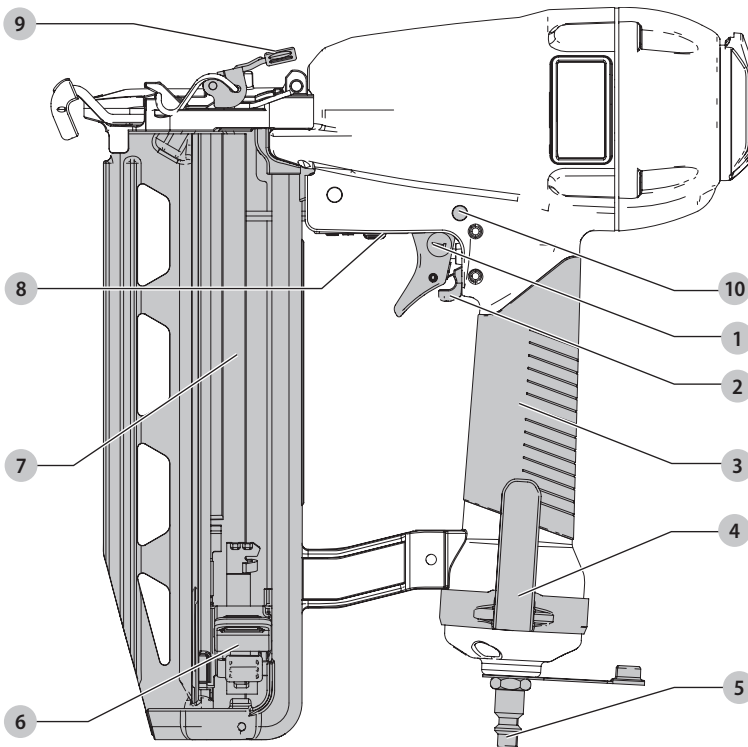
ATTENTION : indique une situation potentiellement dangereuse qui, si elle n'est pas évitée, **pourrait entraîner des blessures légères ou modérées**.



(Si utilisé sans aucun terme) Indique un message propre à la sécurité.

AVIS : indique une pratique ne posant **aucun risque de dommages corporels** mais qui par contre, si rien n'est fait pour l'éviter, **pourrait poser des risques de dommages matériels**.

Fig. A



DESCRIPTION

- 1 Gâchette
- 2 Verrou de la gâchette
- 3 Poignée
- 4 Agrafe pour courroie
- 5 Raccord de 1/4 po
- 6 Levier de libération du magasin
- 7 Pousoir
- 8 Molette de réglage de profondeur
- 9 Loquet de dégagement
- 10 L'anneau en caoutchouc/goupille



AVERTISSEMENT : lire tous les avertissements de sécurité et toutes les directives. Le non-respect des avertissements et des directives pourrait se solder par un choc électrique, un incendie et/ou une blessure grave.



AVERTISSEMENT : ne jamais modifier l'outil électrique ni aucun de ses composants, car il y a des risques de dommages corporels ou matériels.



AVERTISSEMENT : afin de réduire le risque de blessures, lire le mode d'emploi de l'outil.

Pour toute question ou remarque au sujet de cet outil ou de tout autre outil CRAFTSMAN composez le numéro sans frais : 1-888-331-4569.

Cloueuse de finition 16 GA CMPFN16

CONSIGNES IMPORTANTES DE SÉCURITÉ



AVERTISSEMENT : seulement les personnes ayant lu et compris les instructions de fonctionnement/sécurité de l'outil doivent utiliser l'outil.



AVERTISSEMENT : l'outil actionné pourrait projeter des débris, de la colle d'assemblage ou de la poussière, qui peuvent tous provoquer des lésions oculaires à l'opérateur. L'opérateur et les autres personnes œuvrant dans la zone de travail DOIVENT porter des lunettes de sécurité munies de protecteurs latéraux. Ces lunettes de sécurité doivent être conformes à la norme ANSI Z87.1 (les lunettes approuvées portent l'inscription imprimée ou estampillée « Z87 »). L'employeur est responsable d'exiger l'utilisation de l'équipement de protection oculaire par l'utilisateur de l'outil et toutes les autres personnes dans l'aire de travail.



AVERTISSEMENT : toujours présumer que l'outil contient des attaches.



AVERTISSEMENT : (Air et alimentation)

- Ne pas utiliser de l'oxygène, des gaz combustibles ou des gaz en bouteilles comme source d'alimentation pour cet outil puisque l'outil peut exploser, causant possiblement une blessure.
- Ne pas utiliser de sources d'alimentation qui peuvent potentiellement excéder 200 p.s.i.g.. (14 kg/cm²) puisque l'outil peut éclater, causant possiblement une blessure.
- Le connecteur sur l'outil ne doit pas maintenir la pression si l'alimentation de l'air est déconnectée. Si un mauvais raccord est utilisé, l'outil peut demeurer chargé avec de l'air après la déconnexion et par conséquent sera en mesure d'enfoncer une fixation même une fois que la conduite d'air est déconnectée causant possiblement une blessure.
- Ne pas appuyer sur la gâchette pendant que l'outil est connecté à l'alimentation de l'air puisqu'il peut s'enclencher, causant possiblement une blessure.
- Déconnectez toujours l'alimentation de l'air : 1.) Avant de faire des ajustements; 2.) Lorsque vous entretenez l'outil; 3.) Lorsque vous retirez un bourrage; 4.) Lorsque vous n'utilisez pas l'outil; 5.) Lorsque vous vous déplacez dans une aire de travail différente, puisqu'un déclenchement accidentel peut se produire, causant possiblement une blessure.



AVERTISSEMENT : lorsque vous chargez l'outil :

- Ne jamais placer une main ou toute autre partie du corps dans la zone de sortie des fixations de l'outil.
- Ne jamais pointer l'outil vers vous ou toute autre personne.

- Ne pas appuyer sur la gâchette puisqu'un déclenchement accidentel peut se produire, causant possiblement une blessure.
- Soyez prudent lorsque vous manipulez des fixations, particulièrement lors du chargement et du déchargement puisque les fixations ont des bouts pointus.



AVERTISSEMENT : ne pas utiliser l'outil si :

- Si le tuyau d'air ou le raccord est endommagé.
- L'outil a une fuite d'air.
- L'outil a reçu un coup sec, s'il fonctionne mal, s'il a été échappé ou s'il est endommagé de quelque manière. Retournez l'outil à l'établissement de service autorisé le plus près pour une inspection, une réparation ou un ajustement mécanique.
- Les étiquettes d'avertissements sont manquantes ou endommagées.
- L'outil n'est pas en bon état de fonctionnement. Des repères et une séparation physique doivent être utilisés pour le contrôle.
- L'outil n'est pas en contact avec la pièce à travailler. Un outil sans contact avec la pièce à travailler peut être tiré par inadvertance blessant un utilisateur ou un passant.



AVERTISSEMENT : lorsque vous utilisez l'outil :

- Manipulez toujours l'outil avec soin :
 - Ne jamais faire des plaisanteries.
 - Ne jamais appuyer sur la gâchette à moins que le nez soit dirigé vers le travail.
 - Ne jamais pointer l'outil vers vous ou d'autres personnes.
 - Gardez les autres personnes à une distance sécuritaire de l'outil pendant que vous l'utilisez puisqu'un déclenchement accidentel peut se produire, causant possiblement une blessure.
 - Gardez les passants et les enfants éloignés lorsque vous utilisez l'outil.
 - Respectez l'outil comme un instrument de travail.
 - Demeurez alerte, concentré sur votre travail et faites preuve de bon sens lorsque vous travaillez avec des outils.
 - Ne pas utiliser l'outil lorsque vous êtes fatigué, après avoir consommé des drogues ou de l'alcool ou si vous prenez des médicaments.
 - Ne pas trop s'étirer. Utilisez seulement dans un lieu de travail sécuritaire.
 - Maintenez vos pieds bien d'aplomb sur le sol en tout temps.
- Enfonchez les fixations dans une surface de travail seulement.

- Lorsque vous travaillez près du bord de la pièce à travailler ou dans des angles prononcés, faites attention afin de minimiser l'écaillage, le fractionnement, l'éclatement ou la chute libre ou le ricochet des fixations, qui peuvent causer une blessure.
- Ne pas enfoncer des fixations au-dessus d'autres fixations ou avec l'outil à un angle beaucoup trop prononcé puisque cela peut causer la déviation des fixations qui pourrait causer une blessure.
- Ne pas charger l'outil avec des fixations lorsqu'une des commandes de fonctionnement est activée.
- Soyez très prudent lorsque vous enfoncez les fixations dans les murs existants ou d'autres zones cachées afin de prévenir le contact avec des objets cachés ou des personnes de l'autre côté (par ex., fils, tuyaux)
- L'utilisateur doit ne pas appuyer sur la gâchette sauf durant la fixation puisque cela pourrait causer une blessure grave si l'outil entre accidentellement en contact avec quelqu'un ou quelque chose, causant l'enclenchement de l'outil.
- Gardez vos mains et votre corps à l'écart de la zone de sortie de l'outil. L'outil peut rebondir en raison du recul de l'enfoncement d'une fixation et une deuxième fixation non désirée peut être possiblement enfoncée causant une blessure.
- Vérifiez régulièrement l'utilisation du mécanisme de la gâchette. Ne pas utiliser l'outil si la gâchette ne fonctionne pas bien puisque cela peut entraîner le déclenchement accidentel d'une fixation. Ne pas nuire au bon fonctionnement du mécanisme de la gâchette.
- Ne jamais saisir ou appuyer sur la gâchette par inadvertance lorsque vous vous déplacez, lorsque vous changez de lieu de travail, lorsque vous rangez ou suspendez l'outil, ou lorsque vous préparez la surface de travail pour la fixation.
- Cet outil produit des ÉTINCELLES durant l'utilisation. NE JAMAIS utiliser l'outil près de substances, de gaz ou vapeurs inflammables, incluant le vernis, la peinture, la benzine, le diluant, l'essence, les adhésifs, les mastics, les colles ou toute autre matière qui est (ou dont les vapeurs, la fumée ou les sous-produits sont) inflammables, combustibles ou explosifs. L'utilisation de l'agrafeuse dans un tel environnement pourrait causer une EXPLOSION entraînant une blessure corporelle ou la mort de l'utilisateur et des passants.



AVERTISSEMENT : après avoir enfoncé une fixation, l'outil peut rebondir (« reculer ») causant son déplacement de la surface de travail. Afin de réduire le risque de blessure, gérez toujours le recul en :

- Maintenant toujours le contrôle de l'outil.

- Permettant un recul afin de retirer l'outil de la surface de travail.
- Ne résistant pas au recul de manière à ce que l'outil soit forcé de retourner à la surface de travail. En « mode Activation par contact », si le contact avec la pièce à travailler est permis pour entrer à nouveau en contact avec la surface de travail avant que la gâchette soit relâchée, une sortie inattendue d'une fixation se produira.
- Gardez votre visage et les parties de votre corps hors de portée de l'outil.



AVERTISSEMENT : débranchez l'outil :

- Lorsque vous ne l'utilisez pas.
- Lorsque vous effectuez un entretien ou des réparations.
- Lorsque vous retirez un bourrage.
- Lorsque vous montez, baissez ou déplacez autrement l'outil vers un nouvel emplacement.
- Lorsque l'outil n'est pas sous la supervision ou le contrôle de l'utilisateur.
- Lorsque vous retirez des fixations du magasin.



AVERTISSEMENT : lorsque vous entretenez l'outil :

- Éteignez toujours l'alimentation de l'air et déconnectez l'outil de l'alimentation de l'air lorsqu'il n'est pas utilisé.
- Lorsque vous travaillez avec des outils pneumatiques, notez les avertissements dans ce guide et soyez très prudent lorsque vous évaluez les outils ayant des problèmes.

Avertissements de sécurité supplémentaires



AVERTISSEMENT : ne pas utiliser ce produit pour fixer des câbles électriques. La fixation de fils/câbles électriques pourrait entraîner un choc électrique ou des dommages graves.



AVERTISSEMENT : assurez-vous qu'il n'y a aucun câble électrique, tuyau de gaz, etc. qui pourrait entraîner un danger s'il est endommagé par l'utilisation de l'outil.



AVERTISSEMENT : cet outil n'est pas conçu pour être utilisé dans des atmosphères potentiellement explosives et n'est pas isolé pour pouvoir entrer en contact avec l'alimentation électrique.

- Utilisez cet outil pneumatique seulement aux fins pour lesquelles il a été conçu.
- Ne pas utiliser l'outil comme un marteau.
- Transportez toujours l'outil par la poignée sans la main sur la/les gâchette(s).
- Ne jamais soulever, tirer, abaisser ou transporter l'outil par le tuyau d'air.
- Des outils fouettant peuvent causer une blessure grave. Vérifiez toujours si les tuyaux ou les raccords sont endommagés ou desserrés.

FRANÇAIS

- Ne jamais diriger l'air comprimé vers vous ou toute autre personne.
- L'air comprimé peut causer une blessure grave.
- Ne pas altérer ou modifier cet outil de sa conception ou de sa fonction originale sans autorisation préalable du CRAFTSMAN.
- Ne jamais pincer ou toucher à la gâchette en position activée.
- Assurez-vous que l'outil est enclenché de façon sécuritaire sur la pièce à travailler et qu'il ne peut glisser.
- Ne jamais laisser un outil sans surveillance avec le tuyau d'air fixé.

AFIN DE PRÉVENIR LES BLESSURES ACCIDENTELLES :

- Ne jamais placer une main ou toute autre partie du corps dans la zone de sortie des fixations de l'outil si l'alimentation de l'air est connectée.
- Ne jamais activer l'outil à moins que le nez soit dirigé vers le travail.
- Ne pas activer l'outil lorsque vous le chargez.
- Gardez vos mains et autres parties de votre corps hors de la ligne de décharge de l'outil. Lors du travail, ne JAMAIS agripper l'outil par son magasin ou sa bonbonne; une fixation non éjecté pourrait être relâché et causer des blessures.

Consigne de sécurité supplémentaire



AVERTISSEMENT : porter **SYSTEMATIQUEMENT** des lunettes de protection. Les lunettes courantes **NE** sont **PAS** des lunettes de protection. Utiliser aussi un masque antipoussières si la découpe doit en produire beaucoup. **PORTER SYSTEMATIQUEMENT UN EQUIPEMENT DE SÉCURITÉ HOMOLOGUÉ :**

- Protection oculaire ANSI Z87.1 (CAN/CSA Z94.3) ;
- Protection auditive ANSI S12.6 (S3.19) ;
- Protection des voies respiratoires NIOSH/OSHA/MSHA.



AVERTISSEMENT : les scies, meules, ponceuses, perceuses ou autres outils de construction peuvent produire des poussières contenant des produits chimiques reconnus par l'État californien pour causer cancers, malformations congénitales ou être nocifs au système reproducteur. Parmi ces produits chimiques, on retrouve :

- Le plomb dans les peintures à base de plomb ;
- La silice cristallisée dans les briques et le ciment, ou autres produits de maçonnerie ; et
- L'arsenic et le chrome dans le bois ayant subi un traitement chimique.

Le risque associé à de telles expositions varie selon la fréquence à laquelle on effectue ces travaux. Pour réduire toute exposition à ces produits : travailler dans un endroit bien aéré, en utilisant du matériel de sécurité homologué, tel un masque antipoussières spécialement conçu pour filtrer les particules microscopiques.

- **Limiter toute exposition prolongée avec les poussières provenant du ponçage, sciage, meulage, perçage ou toute autre activité de construction. Porter des vêtements de protection et nettoyer à l'eau savonneuse les parties du corps exposées.** Le fait de laisser la poussière pénétrer dans la bouche, les yeux ou la peau peut favoriser l'absorption de produits chimiques dangereux.



AVERTISSEMENT : cet outil peut produire et/ou répandre de la poussière susceptible de causer des dommages sérieux et permanents au système respiratoire. Utiliser systématiquement un appareil de protection des voies respiratoires homologué par le NIOSH ou l'OSHA. Diriger les particules dans le sens opposé au visage et au corps.



AVERTISSEMENT : pendant l'utilisation, porter systématiquement une protection auditive individuelle adéquate homologuée ANSI S12.6 (S3.19). Sous certaines conditions et suivant la durée d'utilisation, le bruit émanant de ce produit pourrait contribuer à une perte de l'acuité auditive.



ATTENTION : après utilisation, ranger l'outil sur son côté, sur une surface stable, là où il ne pourra ni faire trébucher ni faire chuter quelqu'un. Certains outils équipés d'un large bloc-piles peuvent tenir à la verticale sur celui-ci, mais manquent alors de stabilité.

- **Prendre des précautions à proximité des événements, car ils cachent des pièces mobiles.** Vêtements amples, bijoux ou cheveux longs risquent de rester coincés dans ces pièces mobiles.

CONSERVER CES CONSIGNES POUR UTILISATION ULTÉRIEURE

DESCRIPTION (FIG. A)

Usage prévu

Cette cloueuse est conçue pour des applications de fixation professionnelles et elle peut enfoncer des clous et des fixations dans le bois.

NE PAS utiliser avec tout matériau autre que le bois.

NE PAS les utiliser en milieu ambiant humide ou en présence de liquides ou de gaz inflammables.

NE PAS le laisser à la portée des enfants. Une supervision est nécessaire auprès de tout utilisateur non expérimenté.

Caractéristiques de l'outil

CMPFN16	
Pression de fonctionnement recommandée	4,8 - 8,2 bar (70–120 p.s.i.g.)
Consommation d'air par 100 cycles	6,0 pi ³ /mn à 100 lb/po ² (6,0 cfm @ 100 p.s.i.g.)
Capacité de chargement	100 Clous

Caractéristiques des clous

CMPFN16	
Longueurs	25,4 mm–65 mm (1"–2 1/2 po)
Diamètres	calibre 16 (16 gause)
Entrée d'air	1/4 po NPT

Ajustements et préparation de l'utilisation

Connexions et alimentation de l'air



AVERTISSEMENT : ne pas utiliser de l'oxygène, des gaz combustibles ou des gaz en bouteilles comme source d'alimentation pour cet outil puisque l'outil peut exploser, causant possiblement une blessure. Utilisez seulement de l'air comprimé réglementé propre comme une source d'alimentation pour cet outil.

AVIS : ne pas excéder la pression de fonctionnement maximum recommandée puisque l'usure de l'outil sera considérablement augmentée. L'alimentation de l'air doit pouvoir de maintenir la pression de fonctionnement de l'outil. Les chutes de pression de l'alimentation de l'air peuvent réduire la force motrice de l'outil.

Raccord d'air



AVERTISSEMENT : toujours utiliser des raccords qui libèrent toute la pression de l'outil lorsqu'il est débranché de l'alimentation. Toujours utiliser des raccords de tuyau qui coupent l'alimentation en air dès que l'outil est débranché.

Cet outil est muni d'un raccord connecteur mâle rapide 1/4 po.

Pour installer le raccord pneumatique :

1. Enroulez l'extrémité mâle du raccord avec du ruban pour joints filetés avant d'assembler pour éliminer les fuites d'air.
2. Vissez directement le raccord dans l'entrée d'air et serrez solidement. **REMARQUE :** Si un adaptateur est dans l'entrée d'air, retirez-le avant d'insérer le raccord. **REMARQUE :** Une conduite d'alimentation de 9,5 mm (3/8 po) (et les raccords) doit être utilisée le clouage à gros volume. Ce raccord nécessite un adaptateur de 9,5 mm (3/8 po). Le raccord et l'adaptateur sont disponibles chez CRAFTSMAN. Consultez **Accessoires**.

Pression de fonctionnement



AVERTISSEMENT : ne pas excéder la pression de fonctionnement maximum recommandée puisque l'usure de l'outil sera considérablement augmentée. L'alimentation de l'air doit pouvoir de maintenir la pression de fonctionnement de l'outil. Les chutes de pression de l'alimentation de l'air peuvent réduire la force motrice de l'outil. Consultez les **Caractéristiques de l'outil** pour régler la bonne pression de fonctionnement pour l'outil.

Tuyaux



AVERTISSEMENT : les tuyaux d'air doivent avoir taux de pression de 150 % de la pression maximum qui pourrait être produite dans le système d'air. Consultez les **Caractéristiques de l'outil** pour la bonne pression de fonctionnement pour l'outil. Le tuyau d'alimentation doit comporter un raccord qui offre une « déconnexion rapide » du connecteur mâle sur l'outil.

Moteur sans huile

La fixation est conçue pour être utilisée sans avoir besoin d'ajouter d'huile pour outils pneumatiques et offrir quand même une longue durée de vie. Si de l'huile pour outils pneumatiques est ajoutée à l'outil, il continuera de bien fonctionner.

ASSEMBLAGE ET AJUSTEMENTS



AVERTISSEMENT : afin de réduire le risque de blessure corporelle, éteignez l'appareil et déconnectez la source d'alimentation de l'air, avant d'effectuer tout ajustement ou de retirer/ installer des pièces ou des accessoires. Un déclenchement accidentel du démarrage peut causer des blessures.

Préparer l'outil



AVERTISSEMENT : lisez la section intitulée **CONSIGNES IMPORTANTES DE SÉCURITÉ**. Portez toujours une protection oculaire [ANSI Z87.1 (CAN/CSA Z94.3)] et auditive [ANSI S12.6 (S3.19)] appropriée lorsque vous utilisez l'outil. Ne pas diriger la fixation vers vous ou d'autres personnes. Pour une utilisation sécuritaire, effectuez les procédures suivantes et vérifiez la fixation avant chaque utilisation.



AVIS : ces clouuses sont conçues pour être utilisées sans huile. CRAFTSMAN

- Avant l'utilisation de l'outil, assurez-vous que les réservoirs des compresseurs sont bien vidés.
- Portez une protection oculaire, auditive et respiratoire.
- Retirez toutes les fixations du magasin.
- Assurez-vous que le déclencheur par contact et les poussoirs fonctionnent bien. Ne pas utiliser si endommagé ou ne fonctionne pas bien. NE JAMAIS utiliser un outil qui a le déclencheur par contact retenu en position élevée.
- Vérifiez l'alimentation de l'air : Assurez-vous que la pression de l'air n'excède pas les limites de fonctionnement; 5 à 8,5 kg/cm² (70 à 120 p.s.i.g.).
- Connectez le tuyau d'air.
- Vérifiez s'il y a des fuites audibles autour des valves et des joints d'étanchéité. Ne jamais utiliser un outil qui fuit ou qui des pièces endommagées.

Gâchette

! **AVERTISSEMENT** : ÉLOIGNER les doigts de la détente lorsque vous n'enfoncéz pas d'attaches pour éviter un tir intempestif. Ne jamais transporter l'outil avec le doigt sur la détente. En « mode de détente actionnée par coup » (mode d'actionnement par contact), l'outil éjectera une attache si le mécanisme de sécurité est frappé pendant que le déclencheur est enfoncé.

En conformité avec la norme ANSI SNT-101-2015, les cloueuses CRAFTSMAN sont assemblées avec une gâchette à action séquentielle. Pour obtenir une gâchette de rechange, communiquer avec un centre de réparations agréé.

La gâchette gris  sur laquelle est imprimé sur le côté est la gâchette à action séquentielle unique et permet à l'outil de fonctionner dans ce mode. La gâchette noire  sur laquelle est imprimé sur le côté est la gâchette actionnée par coup et permet d'utiliser l'outil dans ce mode. Consulter la rubrique **Actionnement de l'outil** pour définir l'utilisation de gâchette à action séquentielle ou actionnée par coup du présent mode d'emploi.

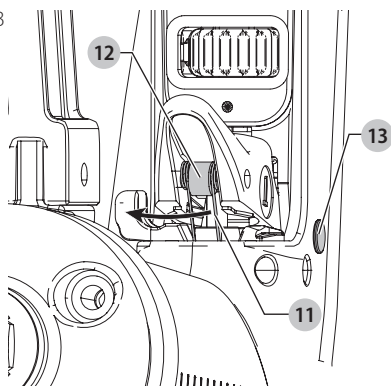
Retrait de la détente (Fig. A, B)

1. Verrouiller la gâchette **1**.
2. Évacuer l'air de l'outil.
3. Retirer l'anneau en caoutchouc **10** de l'extrémité de la goupille **10**.
4. Enlever la goupille.
5. Enlever l'ensemble de la gâchette de la cavité de la détente logée sous la poignée du boîtier de l'outil.

Installation de la gâchette (Fig. B)

1. Choisissez le dispositif de gâchette à installer sur l'outil.
2. Insérez le dispositif de gâchette dans sa cavité.
3. S'assurer que le ressort de gâchette **11** est placé autour de la tige de manoeuvre de la gâchette **12**.
4. Aligner les trous de la détente avec les orifices sur le boîtier **13** puis insérer la goupille de sorte qu'elle traverse tout l'ensemble comme indiqué.
5. Insérer l'anneau de caoutchouc sur l'extrémité de la goupille comme indiqué.

Fig. B



UTILISATION

! **AVERTISSEMENT** : afin de réduire le risque de blessure corporelle, éteignez l'appareil et déconnectez la source d'alimentation de l'air, avant d'effectuer tout ajustement ou de retirer/installer des pièces ou des accessoires. Un déclenchement accidentel du démarrage peut causer des blessures.

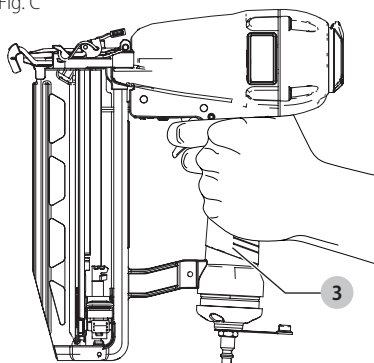
Position correcte des mains (Fig. C)

! **AVERTISSEMENT** : pour réduire tout risque de dommages corporels graves, adopter **SYSTÉMATIQUEMENT** la position des mains illustrée.

! **AVERTISSEMENT** : pour réduire tout risque de dommages corporels graves, maintenir **SYSTÉMATIQUEMENT** l'outil fermement pour anticiper toute réaction soudaine.

La position des mains adéquate nécessite une main sur la poignée **3**.

Fig. C



Utilisation du dispositif de verrouillage (Fig. D)

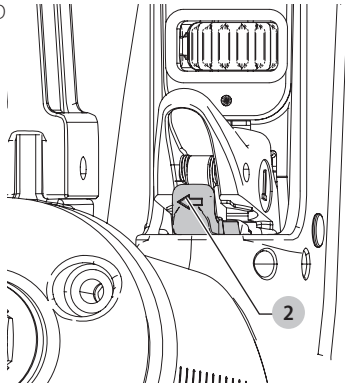
! **AVERTISSEMENT** : pour réduire le risque de blessures, toujours porter une protection oculaire conforme à la norme [ANSI Z87.1 (CAN/CSA Z94.3)] ainsi qu'une protection auditive conforme à la norme [ANSI S12.6 (S3.19)] lors de l'utilisation de l'outil.

! **AVERTISSEMENT** : relâcher la détente lorsque l'outil n'est pas utilisé. Conserver le dispositif de blocage tourné vers la droite (ARRÊT) lorsque l'outil est inutilisé. Un oubli peut entraîner des blessures corporelles graves.

! **AVERTISSEMENT** : verrouiller la détente, débrancher le tuyau à air de l'outil et retirer les attaches du chargeur avant de procéder au réglage. Un oubli peut entraîner des blessures corporelles graves.

Chaque cloueuse est dotée d'un interrupteur de verrou de la gâchette **2** qui, lorsque tourné vers la droite, empêche la mise en marche de l'outil. Lorsque l'interrupteur est au centre, l'outil est entièrement fonctionnel. Toujours verrouiller la détente pour effectuer tout réglage ou lorsque l'outil n'est pas utilisé.

Fig. D



Charger des fixations (Fig. A, E, F)

1. Déconnectez l'alimentation de l'air de l'outil.
2. Dégagez le levier de libération du magasin 6 et poussoir 7.
3. Avec le magasin entièrement ouvert, insérez les fixations. Les points doivent être contre le bas du magasin.
4. Poussez le magasin vers l'avant.

Fig. E

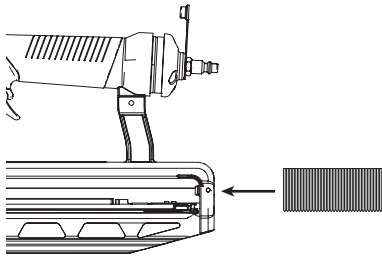
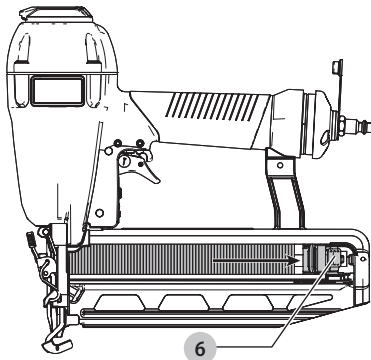


Fig. F



Actionnement de l'outil

- ⚠ AVERTISSEMENT : L'OUTIL** Pour réduire le risque de blessures, **TOUJOURS** porter une protection oculaire conforme à la norme [ANSI Z87.1 (CAN/CSA Z94.3)] ainsi qu'une protection auditive conforme à la norme [ANSI S12.6 (S3.19)] lors de l'utilisation de l'outil.

Actionner l'outil selon un des deux modes suivants : mode de gâchette à action séquentielle unique et mode de gâchette actionnée par coup.

Détente à action séquentielle - / Gris (Fig. A)

TLa détente à action séquentielle permet le clouage intermittent lorsqu'un positionnement très soigneux et précis est souhaité.

Fonctionnement de la cloueuse en mode d'actionnement séquentiel

1. Presser fermement le déclencheur contre la surface de la pièce.
2. Appuyez sur la gâchette 1.

- ⚠ AVERTISSEMENT : l'outil enfonce un fixation à chaque fois que la détente est enfoncée pourvu que le fermement le déclencheur demeure enfoncé.**

Détente actionnée par coup - // Noire (Fig. A)

La détente actionnée par coup est conçue pour un clouage rapide sur des surfaces planes fixes.

Deux méthodes de fonctionnement sont à votre disposition dans ce mode : fonctionnement intermittent et fonctionnement continu.

Fonctionnement intermittent de l'outil

1. Poussez le déclencheur par contact 4 contre la surface de travail.
2. Appuyez sur la gâchette 1.

Fonctionnement continu de l'outil

1. Appuyez sur la gâchette 1.
2. Presser le déclencheur contre la surface de la pièce. Chaque pression du déclencheur enfoncera un clou, et ce, dans la mesure où la détente est enfoncée. L'utilisateur peut ainsi enfoncer plusieurs clous en séquence.

- ⚠ AVERTISSEMENT : relâcher la gâchette lorsque l'outil n'est pas utilisé.**

Réglage de la profondeur (Fig. G)

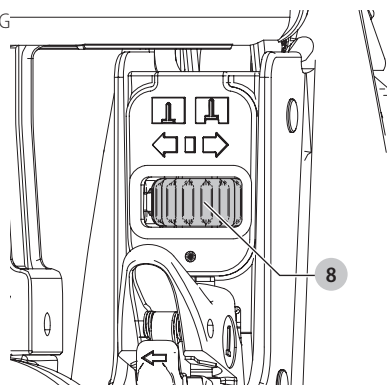
- ⚠ AVERTISSEMENT : afin de réduire le risque de blessure corporelle, éteignez l'appareil et déconnectez la source d'alimentation de l'air, avant d'effectuer tout ajustement ou de retirer/ installer des pièces ou des accessoires. Un déclenchement accidentel du démarrage peut causer des blessures.**

Régler la profondeur à laquelle s'enfonce une attache avec le mécanisme de réglage de profondeur logé à côté de la détente de l'outil.

FRANÇAIS

1. Pour enfoncer le clou moins Fig. F profondément, tourner la molette de réglage de profondeur **8** vers la droite).
2. Pour enfoncer le clou plus profondément, tourner la molette de réglage de profondeur **8** vers la gauche.

Fig. G



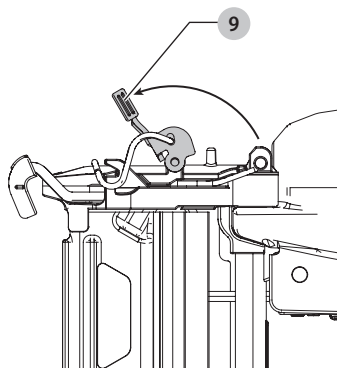
Dégagement des clous coincés (Fig. A, H, I)

⚠ AVERTISSEMENT : afin de réduire le risque de blessure corporelle, éteignez l'appareil et déconnectez la source d'alimentation de l'air, avant d'effectuer tout ajustement ou de retirer/installer des pièces ou des accessoires. Un déclenchement accidentel du démarrage peut causer des blessures.

Si un clou se coince dans le bec de l'outil, pointer l'outil dans la direction opposée à vous et procéder comme suit pour le dégager.

1. Débrancher l'outil de l'alimentation d'air.
2. Relâchez le levier de libération du magasin **6** derrière les clous.
3. Abaissez le verrou de déblocage **9**, puis tirez pour ouvrir la porte avant **14**.
4. Retirer le clou tordu à l'aide de pinces le cas échéant.
5. Si la lame d'entraînement est descendue dans la colonne, insérer un tournevis ou une autre tige dans le bec et repousser la lame d'entraînement en position.
6. Retirer la tige et refermer le compartiment avant.
7. Relever le loquet pour fixer correctement le compartiment du bec.
8. Recharger les clous dans le chargeur (consulter la rubrique **Chargement de l'outil**).
9. Relâchez le levier de libération du magasin **6**.
10. Raccorder de nouveau la source d'alimentation en air.

Fig. H



REMARQUE : Dans le cas de coincements répétés des clous dans le bec, confier la réparation de l'outil à un centre de réparations agréé.

Fonctionnement par temps froid

⚠ AVERTISSEMENT : afin de réduire le risque de blessure corporelle, éteignez l'appareil et déconnectez la source d'alimentation de l'air, avant d'effectuer tout ajustement ou de retirer/installer des pièces ou des accessoires. Un déclenchement accidentel du démarrage peut causer des blessures.

⚠ AVERTISSEMENT : pour prévenir la formation de glace sur les soupapes et mécanismes des outils, pouvant prévenir leur bon fonctionnement, ne pas les entreposer dans un environnement froid.

⚠ AVERTISSEMENT : certains liquides commerciaux d'assèchement de conduites d'air sont dommageables aux joints d'étanchéité et aux joints toriques. Ne pas utiliser ces produits pour basses températures sans avoir vérifié leur compatibilité.

Lors de l'utilisation d'outils à des températures sous le point de congélation, il faut :

1. S'assurer que les réservoirs du compresseur ont été correctement purgés avant de les utiliser.
2. Tenir l'outil le plus possible au chaud avant l'utilisation.
3. S'assurer que toutes les agrafes ont été retirées du chargeur.
4. Abaisser la pression d'air à 5.7 kg/cm² (80 p.s.i.g.) ou moins.
5. Rebrancher la source d'alimentation en air et recharger les clous dans le chargeur.
6. Remettre la pression à son niveau fonctionnel (ne pas excéder 8 kg/cm² [120 p.s.i.g.]) et utiliser l'outil normalement.
7. Toujours purger les réservoirs du compresseur au moins une fois par jour.

Fonctionnement par temps chaud

L'outil devrait fonctionner normalement. Toutefois, le protéger de la lumière directe du soleil, car la chaleur excessive risque de détériorer les amortisseurs, les joints

toriques et les autres composants en caoutchouc et se traduit par un accroissement de l'entretien.

MAINTENANCE



AVERTISSEMENT : afin de réduire le risque de blessure corporelle, éteignez l'appareil et déconnectez la source d'alimentation de l'air avant d'effectuer tout ajustement ou de retirer/ installer des pièces ou des accessoires. Un déclenchement accidentel du démarrage peut causer des blessures.

Accessoires



AVERTISSEMENT : puisque les accessoires autres que ceux offerts par CRAFTSMAN n'ont pas été testés avec ce produit, leur utilisation pourrait s'avérer dangereuse. Pour réduire le risque de blessures, utiliser exclusivement les accessoires CRAFTSMAN recommandés avec le présent produit.

Les accessoires recommandés pour cet outil sont vendus séparément au centre de service de votre région. Pour obtenir de l'aide concernant l'achat d'un accessoire, communiquer avec CRAFTSMAN., composer le **1-888-331-4569**.

Versatrack™ (Fig. J)



AVERTISSEMENT : afin de réduire le risque de blessure corporelle, éteignez l'appareil et déconnectez la source d'alimentation de l'air, avant d'effectuer tout ajustement ou de retirer/ installer des pièces ou des accessoires. Un déclenchement accidentel du démarrage peut causer des blessures.



AVERTISSEMENT : afin de réduire le risque de blessures graves, ne pas utiliser un crochet de suspension Versatrack™ ou rail mural Versatrack endommagé. Un crochet de suspension Versatrack™ ou un rail Versatrack™ endommagé ne supportera pas le poids de l'outil.



AVERTISSEMENT : afin de réduire le risque de blessures graves, assurez-vous que le raccord maintenant le crochet de suspension est sécuritaire.



AVERTISSEMENT : afin de réduire le risque de blessures graves, NE PAS suspendre l'outil au-dessus du niveau de la tête ou suspendre d'autres objets à partir du crochet de suspension. Suspendez SEULEMENT l'outil sur le rail mural Versatrack™ à l'aide du crochet de suspension Versatrack™.



AVERTISSEMENT : assurez-vous que le poids de l'outil ne dépasse pas le poids nominal maximum pour le crochet Versatrack™ sélectionné.



AVERTISSEMENT : lorsque vous suspendrez des objets sur le mur Versatrack™ rail, distancer adéquatement les outils de sorte à ne pas excéder 35 kg (75 lb) par pied linéaire.

IMPORTANT: Les outils et accessoires compatibles Versatrack™ se fixent de façon sécuritaire au système Versatrack™ Trackwall.

1. Éteignez l'outil, retirez les accessoires, déconnectez-le de l'alimentation de l'air.

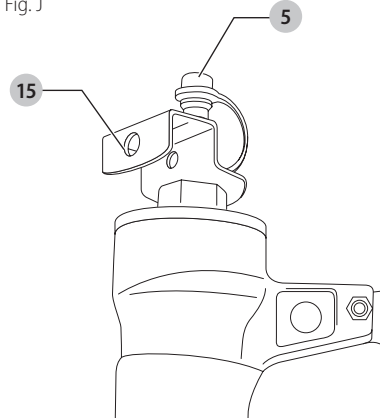


ATTENTION : tout produit avec dents coupantes exposées doit être couvert de façon sécuritaire s'il doit être mis sur le Versatrack™ Trackwall.

2. Fixez la ganse de suspension **15** sur l'outil.
 - a. Utilisez une clé pour déposer le raccord **5**.
 - b. Placez la ganse Versatrack™ sur le raccord.
 - c. Utilisez une clé pour reposer l'accouplement au raccord à la base de l'outil.

REMARQUE : les accessoires Versatrack™ pour utilisation avec cet outil sont disponibles à un coût supplémentaire chez votre détaillant local ou dans un centre de services autorisé. Si vous avez besoin d'aide pour trouver un accessoire, veuillez contacter CRAFTSMAN, appelez au **1-888-331-4569**.

Fig. J



Crochet de ceinture (Fig. A)



AVERTISSEMENT : ne jamais utiliser le crochet pour courroie lorsqu'une gâchette de déclenchement par rebond est installée sur l'outil.

Les cloueuses comprennent un crochet de ceinture intégré **4** qui pivote d'un côté ou de l'autre de l'outil pour une utilisation autant par les gauchers que par les droitiers.

Il est également possible de le faire pivoter pour dégager l'accès.

Retrait du crochet de ceinture

1. Débrancher l'outil de l'alimentation d'air.
2. Levez le levier et déplacez lentement l'agrafe pour courroie en direction de la gâchette.
3. Avec la clé hexagonale adéquate, retirer les vis du capuchon d'extrémité de l'outil.
4. Retirer le crochet de ceinture.
5. Remettre en position le capuchon d'extrémité et le joint. S'assurer que les trois vis sont bien serrées.
6. Remettre le raccord d'air et le serrer.

Nettoyage



AVERTISSEMENT : enlever les saletés et la poussière hors des événements au moyen d'air comprimé propre et sec, au moins une fois par semaine. Pour minimiser le risque de blessure aux yeux, toujours porter une protection oculaire conforme à la norme ANSI Z87.1 lors du nettoyage.



AVERTISSEMENT : ne jamais utiliser de solvants ni d'autres produits chimiques puissants pour nettoyer les pièces non métalliques de l'outil. Ces produits chimiques peuvent affaiblir les matériaux de plastique utilisés dans ces pièces. Utiliser un chiffon humecté uniquement d'eau et de savon doux. Ne jamais laisser de liquide pénétrer dans l'outil et n'immerger aucune partie de l'outil dans un liquide.

Réparations



AVERTISSEMENT : pour assurer la SÉCURITÉ et la FIABILITÉ du produit, les réparations, l'entretien et les réglages doivent être réalisés (cela comprend l'inspection et le remplacement du balai, le cas échéant) par un centre de réparation en usine CRAFTSMAN ou un centre de réparation agréé CRAFTSMAN. Toujours utiliser des pièces de rechange identiques.

Registre en ligne

Merci pour votre achat. Enregistrez dès maintenant votre produit:

- **RÉPARATIONS SOUS GARANTIE:** cette carte remplie vous permettra de vous prévaloir du service de réparations sous garantie de façon plus efficace dans le cas d'un problème avec le produit.
- **CONFIRMATION DE PROPRIÉTÉ:** en cas de perte provoquée par un incendie, une inondation ou un vol, cette preuve de propriété vous servira de preuve auprès de votre compagnie d'assurances.
- **SÉCURITÉ:** l'enregistrement de votre produit nous permettra de communiquer avec vous dans l'éventualité peu probable de l'envoi d'un avis de sécurité régi par la loi fédérale américaine de la protection des consommateurs.

Registre en ligne à www.craftsman.com/registration

Garantie limitée de trois ans

CRAFTSMAN réparera ou remplacera sans frais tout appareil défectueux pour cause de défaut de matériau ou de main-d'œuvre sur une période de trois ans à partir de la date d'achat de l'outil. Cette garantie ne couvre pas les pièces en panne pour cause d'abus ou d'usure normale de l'outil. Pour plus de détails au sujet de la couverture de la garantie et l'information de réparation sous garantie, visitez www.craftsman.com ou composez le **1-888-331-4569**.

Cette garantie ne s'applique pas aux accessoires ou dommages causés par des réparations effectuées ou tentées par d'autres. CETTE GARANTIE REMPLACE TOUTES LES AUTRES, INCLUANT LES GARANTIES IMPLICITES DE LA QUALITÉ MARCHANDE ET L'APTITUDE POUR UN

BUT PARTICULIER, ET EXCLUT TOUS LES DOMMAGES ACCIDENTELS OU CONSÉCUTIFS. Certaines provinces ne permettent pas de limitation sur la durée de la garantie implicite ou l'exclusion ou la limitation de dommages indirects, alors ces limitations peuvent ne pas s'appliquer à vous. Cette garantie vous donne des droits légaux particuliers et vous pouvez avoir d'autres droits qui varient selon les états ou les provinces.

GARANTIE DE REMBOURSEMENT DE 90 JOURS

Si l'acheteur n'est pas entièrement satisfait, pour quelque raison que ce soit, du rendement de l'outil électrique ou de la cloueuse CRAFTSMAN, celui-ci peut le retourner, accompagné d'un reçu, dans les 90 jours à compter de la date d'achat pour obtenir un remboursement intégral, sans aucun problème.

AMÉRIQUE LATINE : cette garantie ne s'applique aux produits vendus en Amérique latine. Pour ceux-ci, veuillez consulter les informations relatives à la garantie spécifique présente dans l'emballage, appeler l'entreprise locale ou consulter le site Web pour les informations relatives à cette garantie.

REMPACEMENT GRATUIT DES ÉTIQUETTES

D'AVERTISSEMENT : si les étiquettes d'avertissement deviennent illisibles ou sont manquantes, composer le **1-888-331-4569** pour en obtenir le remplacement gratuit.

Dépannage

Problème	Cause	Correction
Fuite d'air au corps de valve de gâchette.	Joints toriques coupés ou usés.	Remplacer les joints toriques.
Fuite d'air à la tige de valve de gâchette.	Joints toriques ou garnitures coupés ou usés.	Remplacer joints toriques /garnitures.
Fuite d'air entre le corps et le nez.	Vis du nez desserrées.	Resserrer les vis.
	Joints toriques ou garniture coupés ou usés.	Remplacer les joints toriques.
	Amortisseur coupé ou usé.	Remplacer l'amortisseur.
Fuite d'air entre le chapeau et le corps.	Garniture coupée.	Remplacer la garniture.
	Amortisseur de tête coupé ou usé.	Remplacer l'amortisseur.
	Vis de chapeau desserrées.	Resserrer les vis.
Cycle incomplet.	Pertes de charges dans le circuit d'air.	Vérifier le circuit d'air.
	Joints toriques de la valve de tête coupés ou usés.	Remplacer les joints toriques.
	Ressort du chapeau de cylindre cassé.	Remplacer le ressort.
	Valve de tête forcée dans le chapeau.	Démonter (vérifier) lubrifier.
	Ressort du chapeau de cylindre cassé.	Remplacer le ressort.
	Joints toriques ou garnitures coupés ou usés.	Remplacer les joints toriques/garnitures.
	Échappement bloqué.	Vérifier l'amortisseur et le ressort de valve de tête.
	Système gâchette usé ou ayant une fuite.	Remplacer le système de gâchette.
	Particules obstruant le canal de l'enfonceur.	Démonter le nez/enfonceur et nettoyer.
	L'extrémité du cylindre n'est pas positionnée correctement sur l'amortisseur inférieur.	Démonter et réinstaller.
Fixations se coincent dans l'appareil; Alimentation Intermittente.	Pression d'air trop faible.	Vérifier le circuit d'air.
	Amortisseur usé.	Remplacer l'amortisseur.
	Particules obstruant le canal de l'enfonceur.	Démonter le nez/enfonceur et nettoyer.
	Pertes de charges dans les raccords rapides du circuit d'air.	Remplacer les raccords rapides du circuit.
	Joint du piston usé.	Remplacer le joint, vérifier l'enfonceur.
	Ressort du poussoir endommagé.	Remplacer le ressort.
	Pression d'air trop faible.	Vérifier le circuit/régler la pression d'air.
	Vis du magasin desserrées.	Resserrer les vis.
	Fixations trop courts.	Utilisez seulement les fixations recommandées.
	Fixations tordues.	Cessez d'utiliser ces fixations.
	Mauvais formats de fixations.	Utilisez seulement les fixations recommandées.
	Fuite à la garniture du chapeau de tête.	Resserrer les vis/remplacer la garniture.
	Joints toriques de la valve de gâchette coupés ou usés.	Remplacer les joints toriques.
	Enfonceur usé ou cassé.	Remplacer l'enfonceur/vérifier le joint de piston.
Magasin usé.	Remplacer le magasin.	
Fixations se coincent dans l'appareil	Canal de l'enfonceur usé.	Remplacer le nez/vérifier la porte.
	Mauvais formats de fixations.	Utilisez seulement les fixations recommandées.
	Fixations tordues.	Cessez d'utiliser ces fixations.
	Vis du nez/magasin desserrées	Resserrer les vis.
	Enfonceur usé ou cassé.	Remplacer l'enfonceur.

Definiciones: Símbolos y Palabras de Alerta de Seguridad

Este manual de instrucciones utiliza los siguientes símbolos y palabras de alerta de seguridad para alertarle de situaciones peligrosas y del riesgo de lesiones corporales o daños materiales.

⚠ PELIGRO: Indica una situación de peligro inminente que, si no se evita, provocará **la muerte o lesiones graves**.

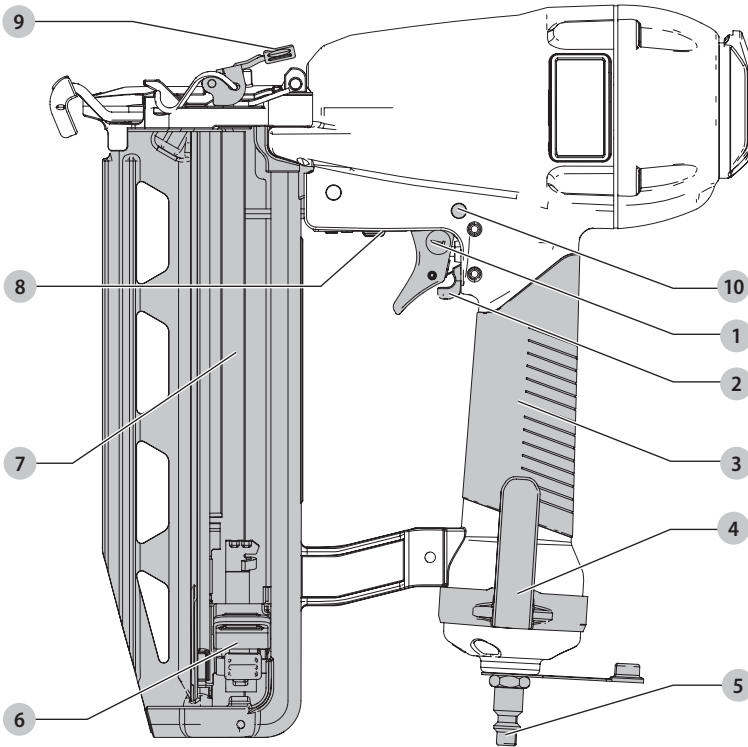
⚠ ADVERTENCIA: Indica una situación de peligro potencial que, si no se evita, **podría provocar la muerte o lesiones graves**.

⚠ ATENCIÓN: Indica una situación de peligro potencial que, si no se evita, **posiblemente provocaría lesiones leves o moderadas**.

⚠ (Utilizado sin palabras) indica un mensaje de seguridad relacionado.

AVISO: Se refiere a una práctica **no relacionada a lesiones corporales** que de no evitarse **puede resultar en daños a la propiedad**.

Fig. A



COMPONENTES

- 1 Gatillo
- 2 Bloqueo de gatillo
- 3 Agarre
- 4 Gancho de cinturón
- 5 Accesorio de 1/4"
- 6 Palanca de liberación de cargador
- 7 Palanca de empuje
- 8 Rueda de ajuste de la profundidad
- 9 Pasador para desobstrucción
- 10 Extremo del pasador/goma

⚠ ADVERTENCIA: Lea todas las advertencias de seguridad e instrucciones. El incumplimiento de las advertencias e instrucciones puede provocar descargas eléctricas, incendios o lesiones graves.

⚠ ADVERTENCIA: Nunca modifique la herramienta eléctrica, ni tampoco ninguna de sus piezas. Podría producir lesiones corporales o daños.

📖 ADVERTENCIA: Para reducir el riesgo de lesiones, lea el manual de instrucciones.

Si tiene alguna duda o algún comentario sobre ésta u otra herramienta CRAFTSMAN, llámenos al número gratuito: 1-888-331-4569.

Pistola de Clavos de Acabado Calibre 16 CMPFN16

INSTRUCCIONES DE SEGURIDAD IMPORTANTES



ADVERTENCIA: Sólo las personas que hayan leído y comprendido las instrucciones de operación/seguridad de la herramienta deben operar la herramienta.



ADVERTENCIA: La herramienta en funcionamiento puede generar residuos volátiles, materiales colacionados o polvo, que pueden dañar los ojos del operador. El operador y toda otra persona que se encuentre en el área de trabajo DEBEN usar anteojos de seguridad con protección lateral. Estos anteojos de seguridad deben cumplir con los requisitos ANSI Z87.1 (los anteojos aprobados tienen impreso o estampado "Z87"). El empleador es responsable de hacer cumplir el uso del equipo de protección para los ojos por parte del operador de la herramienta y de todo el personal en el área de trabajo.



ADVERTENCIA: Siempre dé por sentado que la herramienta contiene clavos.



ADVERTENCIA: (Aire y Suministro)

- No use oxígeno, gases combustibles ni gases embotellados como fuente de energía para esta herramienta, ya que la herramienta puede explotar y causar lesiones.
- No utilice fuentes de suministro que puedan exceder potencialmente 200 p.s.i.g. (14 kg/cm²) ya que la herramienta puede explotar y causar lesiones.
- El conector de la herramienta no debe mantener la presión cuando se desconecta el suministro de aire. Si se utiliza un accesorio incorrecto, la herramienta puede permanecer cargada con aire después de desconectarse y, por lo tanto, podrá insertar un sujetador incluso después de desconectar la línea de aire, posiblemente causando lesiones.
- No apriete el gatillo mientras está conectado al suministro de aire, ya que la herramienta puede realizar un ciclo y causar lesiones.
- Siempre desconecte el suministro de aire: 1.) Antes de hacer ajustes; 2.) Cuando dé servicio a la herramienta; 3.) Cuando despeje un atasco; 4.) Cuando la herramienta no esté en uso; 5.) Cuando se mueva a un área de trabajo diferente, ya que puede ocurrir una activación accidental, posiblemente causando lesiones.



ADVERTENCIA: Cuando cargue la herramienta:

- Nunca coloque una mano o parte del cuerpo en el área de descarga de los sujetadores de la herramienta.
- Nunca apunte con la herramienta hacia usted o hacia otra persona.

- No apriete el gatillo ya que puede producirse una activación accidental, que podría causar lesiones.
- Tenga cuidado al manipular sujetadores, especialmente al cargar y descargar, ya que los sujetadores tienen puntas afiladas.



ADVERTENCIA: No opere la herramienta si:

- Hay algún daño en la manguera o conexión de aire.
- La herramienta pierde aire.
- La herramienta ha recibido un golpe fuerte, un mal funcionamiento o se ha caído o dañado de alguna manera. Devuelva la herramienta a la instalación de servicio autorizada más cercana para su examen, reparación o ajuste mecánico.
- Las etiquetas de advertencia faltan o están dañadas.
- La herramienta no está en buen estado de operación. Se deben usar etiquetas y separación física para el control.
- La herramienta no tiene contacto con la pieza de trabajo. Una herramienta sin contacto de la pieza de trabajo puede dispararse involuntariamente y causar lesiones a un operador o transeúnte.



ADVERTENCIA: Cuando se opera la herramienta:

- Siempre maneje la herramienta con cuidado:
 - Nunca juegue bruscamente con otros.
 - Nunca jale el gatillo a menos que la nariz esté dirigida hacia el trabajo.
 - Nunca apunte la herramienta hacia usted o hacia otros.
 - Mantenga a los demás a una distancia segura de la herramienta mientras la herramienta esté en funcionamiento, ya que podría producirse una activación accidental, que podría causar lesiones.
 - Mantenga a los transeúntes y niños alejados mientras opera la herramienta.
 - Respete la herramienta como un implemento de trabajo.
 - Manténgase alerta, concéntrese en su trabajo y use el sentido común cuando trabaje con herramientas.
 - No use la herramienta cuando esté cansado, después de haber consumido drogas o alcohol, o bajo la influencia de medicamentos.
 - No se estire. Sólo use en un lugar de trabajo seguro.
 - Mantenga una base de apoyo adecuada en todo momento.
- Coloque los sujetadores en la superficie de trabajo solamente.

- Cuando trabaje cerca de un borde de una pieza de trabajo o en ángulos pronunciados, tenga cuidado de minimizar la formación de astillas, separación o astillas, o el vuelo libre o el rebote de los sujetadores, que pueden causar lesiones.
- No coloque los sujetadores encima de otros sujetadores o con la herramienta en un ángulo demasiado pronunciado ya que esto puede provocar la desviación de los sujetadores, lo que podría ocasionar lesiones.
- No cargue la herramienta con sujetadores cuando alguno de los controles de operación esté activado.
- Tenga precaución al introducir sujetadores a paredes existentes u otras áreas ciegas para evitar el contacto con objetos ocultos o personas del otro lado (por ejemplo, cables, tuberías).
- El operador no debe apretar el gatillo, excepto durante la operación de fijación, ya que podría resultar en lesiones serias si la herramienta hace contacto accidentalmente con alguien o algo, haciendo que la herramienta realice un ciclo.
- Mantenga las manos y el cuerpo alejados del área de descarga de la herramienta. La herramienta puede rebotar por el retroceso de la inserción de un sujetador y un segundo sujetador no deseado puede insertarse, posiblemente causando lesiones.
- Verifique el funcionamiento del mecanismo de disparo con frecuencia. No use la herramienta si el gatillo no funciona correctamente, ya que puede ocasionar la inserción accidental de un sujetador. No interfiera con el funcionamiento correcto del mecanismo de disparo.
- Nunca mueva o apriete inadvertidamente el gatillo cuando se mueva, cambie la ubicación del trabajo, cuando guarde o cuelgue la herramienta, o cuando prepare la superficie de trabajo para la operación de fijación.
- Esta herramienta produce CHISPAS durante la operación. NUNCA use la herramienta cerca de sustancias, gases o vapores inflamables, incluyendo laca, pintura, bencina, diluyente, gasolina, adhesivos, masillas, pegamentos o cualquier otro material - o los vapores, humos o subproductos - que sean inflamables, combustibles o explosivos. El uso del sujetador en cualquier entorno puede causar una EXPLOSIÓN que puede ocasionar lesiones personales o la muerte al usuario y a los transeúntes.



ADVERTENCIA: Después de insertar un sujetador, la herramienta puede rebotar hacia atrás ("retroceso") haciendo que se aleje de la superficie de trabajo. Para reducir el riesgo de lesiones, siempre maneje el retroceso de la siguiente manera:

- Siempre manteniendo el control de la herramienta.

- Permitiendo que el retroceso aleje la herramienta de la superficie de trabajo.
- No resista el retroceso, de modo que la herramienta se fuerce a regresar a la superficie de trabajo. En "Modo de actuación de contacto", si se permite que el contacto de la pieza de trabajo vuelva a entrar en contacto con la superficie de trabajo antes de soltar el gatillo, se producirá una descarga involuntaria de un sujetador.
- Manteniendo la cara y las partes del cuerpo alejadas de la herramienta.



ADVERTENCIA: Desconecte la herramienta:

- Cuando no esté en uso.
- Al realizar cualquier mantenimiento o reparación.
- Al eliminar un atasco.
- Al elevar, bajar o mover la herramienta a una nueva ubicación.
- Cuando la herramienta esté fuera de la supervisión o control del operador.
- Al retirar los sujetadores del cargador.



ADVERTENCIA: Al dar mantenimiento a la herramienta:

- Siempre cierre el suministro de aire y desconecte la herramienta del suministro de aire cuando no esté en uso.
- Al trabajar con herramientas neumáticas, tenga en cuenta las advertencias de este manual y tenga especial cuidado al evaluar las herramientas con problemas.

Advertencias de Seguridad Adicionales



ADVERTENCIA: No use este producto para sujetar cables eléctricos. La fijación de cables eléctricos podría provocar descargas eléctricas o daños graves.



ADVERTENCIA: Asegúrese que no haya cables eléctricos, tuberías de gas, etc. que puedan causar un peligro si se dañan con la herramienta.



ADVERTENCIA: Esta herramienta no está diseñada para usarse en atmósferas potencialmente explosivas y no está aislada de entrar en contacto con la energía eléctrica.

- Use la herramienta neumática sólo para el propósito para el que fue diseñada.
- No use la herramienta como un martillo.
- Siempre lleve la herramienta por el mango con la mano fuera del gatillo/gatillos.
- Nunca levante, jale, baje o transporte la herramienta por la manguera de aire.
- Las mangueras que se agitan pueden causar lesiones graves. Siempre revise si hay mangueras o conexiones dañadas o sueltas.
- Nunca dirija el aire comprimido hacia usted o hacia otra persona.
- El aire comprimido puede causar lesiones graves.

- No altere o modifique esta herramienta a partir de su diseño o función originales sin aprobación con CRAFTSMAN.
- Nunca sujete o coloque cinta en el gatillo en una posición accionada.
- Asegúrese que la herramienta siempre esté sujeta con seguridad en la pieza de trabajo y no se pueda deslizar.
- Nunca deje desatendida una herramienta con la manguera de aire instalada.

PARA PREVENIR LESIONES ACCIDENTALES:

- Nunca coloque una mano o cualquier otra parte del cuerpo en el área de descarga de los sujetadores de la herramienta mientras esté conectado el suministro de aire.
- Nunca accione la herramienta a menos que la punta se dirija al trabajo.
- No accione la herramienta durante la carga.
- Mantenga las manos y partes del cuerpo alejadas del área de descarga de la herramienta. Mientras esté en uso NUNCA sujete la herramienta por el cargador o depósito, un sujetador insertado incorrectamente puede salir de la punta causando lesiones.

Instrucción Adicional de Seguridad



ADVERTENCIA: Use **SIEMPRE** lentes de seguridad. Los anteojos de diario **NO SON** lentes de seguridad. Utilice además una cubrebocas o mascarilla antipolvo si la operación de corte genera demasiado polvo. SIEMPRE LLEVE EQUIPO DE SEGURIDAD CERTIFICADO:

- protección ocular ANSI Z87.1 (CAN/CSA Z94.3),
- protección auditiva ANSI S12.6 (S3.19),
- protección respiratoria NIOSH/OSHA/MSHA.



ADVERTENCIA: Algunas partículas de polvo generadas al lijar, serrar, esmerilar y taladrar con herramientas eléctricas, así como al realizar otras actividades de construcción, contienen químicos que el Estado de California sabe que pueden producir cáncer, defectos congénitos u otras afecciones reproductivas. Ejemplos de estos químicos son:

- plomo de algunas pinturas en base a plomo,
- polvo de sílice proveniente de ladrillos y cemento y otros productos de albañilería, y
- arsénico y cromo provenientes de madera tratada químicamente.

Su riesgo de exposición a estos químicos varía, dependiendo de la frecuencia con la cual realiza usted este tipo de trabajo. Para reducir su exposición a estas sustancias químicas: trabaje en una zona bien ventilada y llevando equipos de seguridad aprobados, como mascarillas antipolvo especialmente diseñadas para filtrar partículas microscópicas.

- **Evite el contacto prolongado con polvo generado por el lijado, aserrado, pulido, taladrado y otras actividades de construcción. Vista ropas protectoras y lave las áreas de la piel expuestas con agua y jabón.** Si permite que el polvo se introduzca en la boca u

ojos o quede sobre la piel, puede favorecer la absorción de productos químicos peligrosos.



ADVERTENCIA: La utilización de esta herramienta puede generar polvo o dispersarlo, lo que podría causar daños graves y permanentes al sistema respiratorio, así como otras lesiones. Siempre use protección respiratoria aprobada por NIOSH (Instituto Nacional de Seguridad y Salud en el Trabajo) u OSHA (Administración de Seguridad y Salud en el Trabajo) apropiada para la exposición al polvo. Dirija las partículas en dirección contraria a la cara y el cuerpo.



ADVERTENCIA: Siempre lleve la debida protección auditiva personal en conformidad con ANSI S12.6 (S3.19) durante el uso de esta herramienta. Bajo algunas condiciones y duraciones de uso, el ruido producido por este producto puede contribuir a la pérdida auditiva.



ATENCIÓN: Cuando no esté en uso, guarde la herramienta apoyada en un costado sobre una superficie estable, donde no interrumpa el paso o provoque una caída. Algunas herramientas con paquetes de baterías de gran tamaño pueden colocarse paradas sobre el paquete de baterías, pero pueden caerse fácilmente.

- Los orificios de ventilación suelen cubrir piezas en movimiento, por lo que también se deben evitar. Las piezas en movimiento pueden atrapar prendas de vestir sueltas, joyas o el cabello largo.

GUARDE ESTAS INSTRUCCIONES PARA VOLVER A CONSULTAR EN EL FUTURO

COMPONENTES (FIG. A)

Uso Debido

Esta pistola de clavos está diseñada para aplicaciones profesionales de sujeción y es capaz de insertar clavos en madera.

NO use con ningún material diferente a madera.

NO utilice la herramienta en condiciones de humedad o en presencia de líquidos o gases inflamables.

NO permita que los niños toquen la herramienta. Si el operador no tiene experiencia operando esta herramienta, su uso deberá ser supervisado.

Especificaciones de los Herramienta

	CMPFN16
Presión de funcionamiento recomendada	de 5 a 8,5 kg/cm ² (70–120 p.s.i.g.)
Consumo de aire por cada 100 ciclos	4,5 cfm a 100 p.s.i.g. (6,0 cfm @ 100 p.s.i.g.)
Capacidad óptima	100 Clavos

Especificaciones de los Clavos

CMPFN16

Longitud	25,4 mm–65 mm (1"–2 1/2")
Admisión de aire	16
Corona de la grapa	1/4" NPT

Ajustes y Preparación de Uso

Suministro de Aire y Conexiones



ADVERTENCIA: No use oxígeno, gases combustibles ni gases embotellados como fuente de energía para esta herramienta, ya que la herramienta puede explotar y causar lesiones. Utilice únicamente aire comprimido limpio y regulado como fuente de alimentación para esta herramienta.

AVISO: No exceda la presión de operación máxima recomendada ya que el desgaste de la herramienta aumentará considerablemente. El suministro de aire debe ser capaz de mantener la presión de operación en la herramienta. Las caídas de presión en el suministro de aire pueden reducir la potencia de inserción de la herramienta.

Conexión de Aire de Herramienta



ADVERTENCIA: Utilice siempre acoplamientos que liberen toda la presión de la herramienta cuando está desconectada de la fuente de alimentación. Utilice siempre conectores de mangueras que cierren el suministro de aire del compresor cuando la herramienta está desconectada.

La herramienta está equipada con un acoplamiento con conector rápido macho de 1/4".

Para Instalar un Accesorio de Aire:

1. Envuelva el extremo macho del accesorio con cinta de sello de rosca antes de ensamblar para eliminar las fugas de aire.
2. Atornille el accesorio directamente en la entrada de aire y apriete firmemente.

NOTA: Si hay un adaptador en la entrada de aire, retírelo antes de insertar el accesorio.

NOTA: Se debe usar una línea de suministro (y accesorios) de 9,5 mm (3/8") para colocación de clavos de alto volumen. Este accesorio requiere un adaptador de 9,5 mm (3/8"). Tanto el accesorio como el adaptador están disponibles a partir de CRAFTSMAN. Consulte **Accesorios**.

Presión de Operación



ADVERTENCIA: No exceda la presión de operación máxima recomendada ya que el desgaste de la herramienta aumentará considerablemente. El suministro de aire debe ser capaz de mantener la presión de operación en la herramienta. Las caídas de presión en el suministro de aire pueden reducir la potencia de inserción de la herramienta. Consulte **Especificaciones de la Herramienta** para ajustar la presión de operación correcta para la herramienta.

Mangueras



ADVERTENCIA: Las mangueras de aire deben tener un mínimo de 150 por ciento de la presión máxima que se puede producir en el sistema de aire. Consulte **Especificaciones de la Herramienta** respecto a la presión de operación correcta para la herramienta. La manguera de suministro debe contener un accesorio que proporcione "desconexión rápida" de la conexión macho en la herramienta.

Motor Libre de Aceite

El sujetador está diseñado para ser utilizado sin la necesidad de agregar aceite de herramienta neumática y aún así brindar una larga vida útil. Si se agrega aceite de herramienta neumática a la herramienta, seguirá funcionando correctamente.

MONTAJE Y AJUSTES



ADVERTENCIA: Para reducir el riesgo de lesiones personales, apague la unidad y retire el suministro de aire antes de realizar cualquier ajuste o retirar/instalar conexiones o accesorios. Una activación de arranque accidental puede causar lesiones.

Preparación de la Herramienta




ADVERTENCIA: Lea la sección titulada **INSTRUCCIONES IMPORTANTES DE SEGURIDAD** al principio de este manual. Utilice siempre protección para los ojos [ANSI Z87.1 (CAN / CSA Z94.3)] y auditiva [ANSI S12.6 (S3.19)] cuando opere esta herramienta. Mantenga el sujetador apuntado al lado opuesto de su cuerpo y otras personas. Para la operación segura, complete los siguientes procedimientos y verificaciones antes de cada uso del sujetador.


AVISO: Estas pistolas de clavos están diseñadas para utilizarse sin aceite.

- Antes de usar la herramienta, asegúrese que los tanques del compresor se hayan drenado adecuadamente.
- Use protección para los ojos, oídos y respiratoria adecuada.
- Retire todos los sujetadores del cargador.
- Revise la operación suave y adecuada de los ensambles de disparo de contacto y empuje. No use la herramienta si cualquier ensamble no funciona adecuadamente. NUNCA use una herramienta que tenga el disparo de contacto restringido en la posición arriba.
- Revise el suministro de aire: Asegúrese que la presión de aire no exceda los límites de operación recomendados; 5 a 8,5 kg/cm² (70 a 120 p.s.i.g).
 - Agregue de 5 a 7 gotas de aceite en el accesorio de aire por lo menos dos veces al día.
- Conecte la manguera de aire.
- Revise respecto a fugas audibles alrededor de las válvulas y empaques. Nunca use una herramienta que tenga fugas o partes dañadas.

Gatillo

- ⚠** **ADVERTENCIA:** Para evitar disparos accidentales, mantenga los dedos ALEJADOS del gatillo cuando no esté colocando clavos. Nunca transporte la herramienta con el dedo en el gatillo. En el modo de accionamiento por tope (modo de accionamiento por contacto) la herramienta disparará un clavo si se golpea el seguro mientras el gatillo está oprimido.

De acuerdo con la norma ANSI SNT-101-2015, las clavadoras CRAFTSMAN se ensamblan con un disparador secuencial. Si desea reemplazar el disparador, comuníquese con su centro de mantenimiento autorizado. El gatillo gris  con impreso en el lateral es el gatillo secuencial sencillo y se utiliza para que la herramienta funcione en este modo.

El gatillo negro  con impreso en el lateral (es el gatillo de accionamiento por tope y se utiliza para que la herramienta funcione en este modo. Para ver una definición del uso del gatillo secuencial y el de accionamiento por tope, consulte la sección Funcionamiento de la herramienta de este manual.

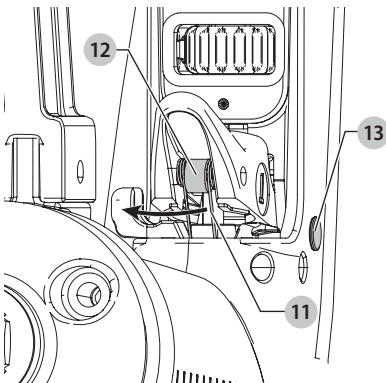
Extracción del Gatillo (Fig. A, B)

1. Trabe el gatillo **1**.
2. Elimine el aire de la herramienta.
3. Extraiga la arandela de goma **10** del extremo del pasador **10**.
4. Retire el pasador.
5. Extraiga el conjunto del gatillo de la cavidad que está debajo del mango de la carcasa de la herramienta.

Instalación del Gatillo (Fig. B)

1. Seleccione la unidad de gatillo apropiada para instalar en la herramienta.
2. Inserte la unidad de gatillo dentro de la cavidad para el gatillo.
3. Compruebe que el resorte del gatillo **11** quede colocado alrededor de la varilla de la válvula del gatillo **12**.
4. Alinee los orificios del gatillo con los orificios de la carcasa **13** e inserte el pasador a través de todo el conjunto como se muestra.
5. Empuje la arandela de goma hacia el extremo de la varilla del pasador, tal como se muestra.

Fig. B



OPERACIÓN

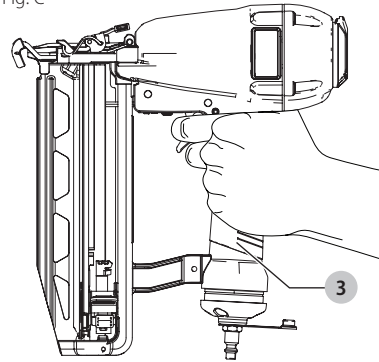
- ⚠** **ADVERTENCIA:** Para reducir el riesgo de lesiones personales, apague la unidad y retire el suministro de aire antes de realizar cualquier ajuste o retirar/instalar conexiones o accesorios. Una activación de arranque accidental puede causar lesiones.

Posición Adecuada de las Manos (Fig. C)

- ⚠** **ADVERTENCIA:** Para reducir el riesgo de lesión personal grave, tenga **SIEMPRE** las manos en una posición adecuada como se muestra.
- ⚠** **ADVERTENCIA:** Para reducir el riesgo de lesión personal grave, sujete **SIEMPRE** bien en caso de que haya una reacción repentina.

La posición de mano adecuada requiere una mano en la manija **3**.

Fig. C

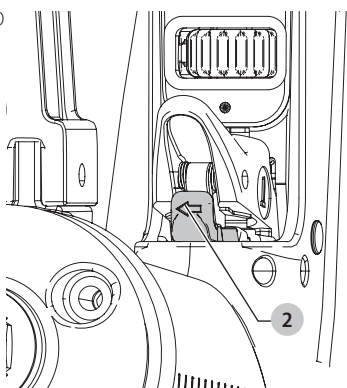


Uso de la Traba (Fig. D)

- ⚠** **ADVERTENCIA:** Para reducir el riesgo de lesiones, utilice **SIEMPRE** protección ocular [ANSI Z87.1 (CAN/CSA Z94.3)] y auditiva adecuada [ANSI S12.6 (S3.19)] al emplear esta herramienta.
- ⚠** **ADVERTENCIA:** No mantenga el gatillo oprimido cuando la herramienta no esté en uso. Deje el interruptor de bloqueo girado a la derecha (APAGADO) cuando la herramienta no esté en uso. Puede causar lesiones personales graves.
- ⚠** **ADVERTENCIA:** Antes de hacer ajustes, trabe el gatillo, desconecte el suministro de aire de la herramienta y retire los clavos de la fuente. Puede causar lesiones personales graves.

Todas las clavadoras están equipadas con un interruptor de bloqueo del gatillo **2**, que evita que la herramienta funcione cuando está girado a la derecha. Cuando este interruptor está centrado, la herramienta funciona adecuadamente. El gatillo debe estar siempre trabado cuando haga ajustes o cuando no esté trabajando con la herramienta.

Fig. D



Carga de Sujetadores (Fig. A, E, F)

1. Desconecte el suministro de aire de la herramienta.
2. Desconecte la palanca de liberación del cargador **6** y jale hacia atrás la palanca de empuje **7**.
3. Inserte los sujetadores con el cargador completamente abierto. Los puntos deben estar contra el fondo del cargador.
4. Empuje el cargador hacia el frente.

Fig. E

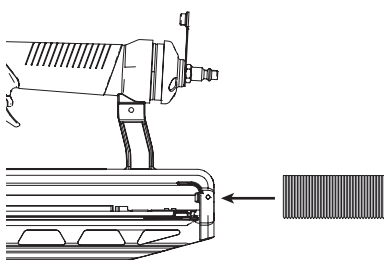
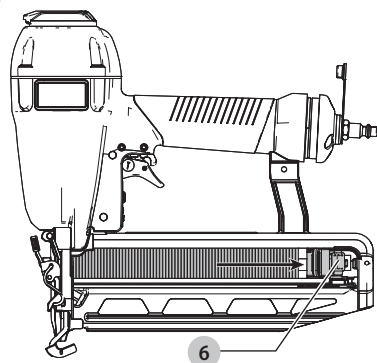


Fig. F



Activación de la Herramienta

⚠ ADVERTENCIA: Para reducir el riesgo de lesiones, utilice SIEMPRE protección ocular [ANSI Z87.1 (CAN/CSA Z94.3)] y auditiva adecuada [ANSI S12.6 (S3.19)] al emplear esta herramienta.

La herramienta se puede accionar de uno de estos modos: modo de gatillo secuencial sencillo y modo de gatillo de tope.

Gatillo Secuencial - / Gatillo Gris (Fig. A)

El gatillo secuencial está pensado para un clavado intermitente, cuando se desee una colocación exacta y muy cuidadosa.

Para Operar la Clavadora en el Modo Secuencial

1. Presione el activador por contacto firmemente contra la superficie de trabajo.
2. Jale el gatillo **1**.

⚠ ADVERTENCIA: Se dispara un clavo cada vez que se presiona el gatillo, siempre que el activador por contacto permanezca presionado.

Gatillo de Tope - // Gatillo Negro (Fig. A)

El gatillo de tope está diseñado para clavar rápidamente en superficies planas y fijas.

Se pueden utilizar dos métodos para este gatillo: accionamiento en el lugar y accionamiento por tope.

Para Utilizar la Herramienta con el Método de Accionamiento en el Lugar

1. Empuje el disparo por contacto contra la superficie de trabajo.
2. Jale el gatillo **1**.

Para Utilizar la Herramienta con el Método de Accionamiento por Tope

1. Jale el gatillo **1**.
2. Empuje el activador por contacto contra la superficie de trabajo. Siempre que el gatillo permanezca presionado, se disparará un clavo cada vez que se presione el activador por contacto. Esto permite que el usuario introduzca varios clavos en forma secuencial.

⚠ ADVERTENCIA: No mantenga el gatillo oprimido cuando la herramienta no esté en uso.

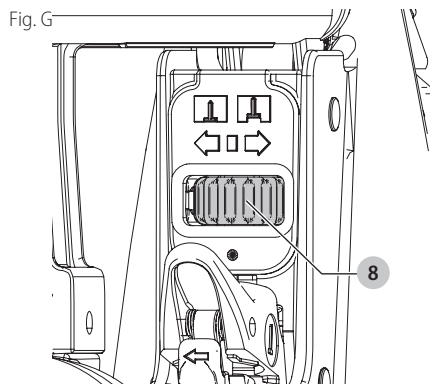
Ajuste de la Profundidad (Fig. G)

⚠ ADVERTENCIA: Para reducir el riesgo de lesiones personales, apague la unidad y retire el suministro de aire antes de realizar cualquier ajuste o retirar/installar conexiones o accesorios. Una activación de arranque accidental puede causar lesiones.

La profundidad a la que se clava el clavo puede regularse con el ajuste de profundidad que está junto al gatillo de la herramienta.

1. Para introducir menos profundamente un clavo, gire la rueda de ajuste de la profundidad **8** a la derecha).

- Para introducir más profundamente un clavo, gire la rueda de ajuste de la profundidad **8** a la izquierda.



Extracción de un Clavo Atascado (Fig. A, H, I)

⚠ **ADVERTENCIA:** Para reducir el riesgo de lesiones personales, apague la unidad y retire el suministro de aire antes de realizar cualquier ajuste o retirar/instalar conexiones o accesorios. Una activación de arranque accidental puede causar lesiones.

Si un clavo queda atascado en la boquilla, deje la herramienta apuntando hacia el lado contrario de donde está usted y siga estas instrucciones para extraerlo.

- Desconecte la herramienta del suministro de aire.
- Libere la palanca de liberación del cargador **6** desde atrás de los clavos.
- Empuje hacia abajo el seguro de liberación de atascamiento **9** y después jale hacia arriba para abrir la puerta delantera **14**.
- Retire el clavo doblado; use pinzas si fuera necesario.
- Si la hoja del impulsor está en la posición baja, introduzca un destornillador u otra varilla en la boquilla y empuje la hoja del impulsor hacia la posición adecuada.
- Retire la varilla y cierre la puerta delantera.
- Levante el pasador para asegurar la puerta a la boquilla.
- Vuelva a introducir clavos en el depósito (consulte la sección **Carga de la Sujetadores**).
- Libere la palanca de liberación del cargador **6**.
- Vuelva a conectar el suministro de aire.

Fig. H

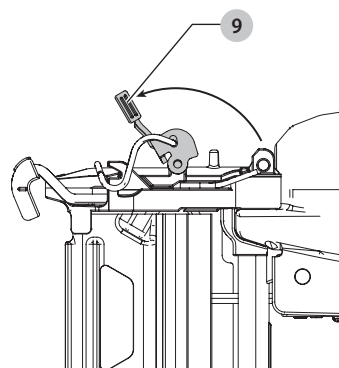
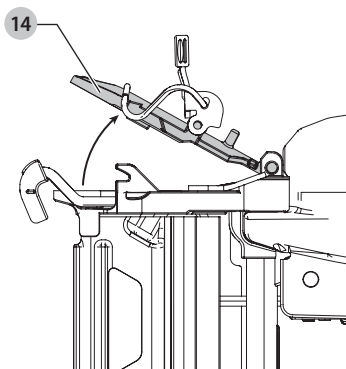


Fig. I



NOTA: En caso de que los clavos sigan atascándose con frecuencia en la boquilla, lleve la herramienta a un centro de mantenimiento autorizado para un servicio de mantenimiento.

Operación en Condiciones Climáticas Frías

⚠ **ADVERTENCIA:** Para reducir el riesgo de lesiones personales, apague la unidad y retire el suministro de aire antes de realizar cualquier ajuste o retirar/instalar conexiones o accesorios. Una activación de arranque accidental puede causar lesiones.

⚠ **ADVERTENCIA:** No guarde herramientas en un ambiente de clima frío para evitar la formación de escarcha o hielo en las válvulas y mecanismos de operación de la herramienta que puedan causar falla de la herramienta.

⚠ **ADVERTENCIA:** Algunos líquidos de secado de línea de aire comerciales son dañinos para los anillos "O" y sellos, no use estos secadores de aire de baja temperatura sin verificar la compatibilidad.

Al operar herramientas en temperaturas muy bajas:

- Asegúrese de que los tanques del compresor se hayan vaciado correctamente antes del uso.
- Mantenga la herramienta lo más cálida posible antes del uso.

ESPAÑOL

3. Asegúrese de que se hayan retirado todos los elementos de fijación del depósito.
4. Reduzca la presión de aire a 5,5 bar (80 p.s.i.g.) o menos.
5. Vuelva a conectar el aire y cargue clavos en el depósito.
6. Incremente la presión hasta el nivel de operación (sin exceder 8 bar [120 p.s.i.g.]) y utilice la herramienta normalmente.
7. Vacíe siempre los tanques del compresor al menos una vez al día.

Operación en Condiciones Climáticas Calurosas

La herramienta debería funcionar normalmente. Sin embargo, mantenga la herramienta alejada del sol directo, ya que el calor excesivo puede deteriorar los protectores, las juntas tóricas y otras piezas de goma, lo cual requerirá un mayor mantenimiento.

MANTENIMIENTO



ADVERTENCIA: Para reducir el riesgo de lesiones personales, apague la unidad y retire el suministro de aire antes de realizar cualquier ajuste o retirar/instalar conexiones o accesorios. Una activación de arranque accidental puede causar lesiones.

Accesorios



ADVERTENCIA: Debido a que no se han probado con este producto otros accesorios que no sean los que ofrece CRAFTSMAN, el uso de dichos accesorios con esta herramienta podría ser peligroso. Para reducir el riesgo de lesiones, con este producto deben usarse sólo los accesorios recomendados por CRAFTSMAN.

Los accesorios que se recomiendan para utilizar con la herramienta están disponibles a un costo adicional en su distribuidor local o en un centro de mantenimiento autorizado. Si necesita ayuda para localizar algún accesorio, póngase en contacto con CRAFTSMAN, llame al **1-888-331-4569**.

Versatrack™ (Fig. J)



ADVERTENCIA: Para reducir el riesgo de lesiones personales, apague la unidad y retire el suministro de aire antes de realizar cualquier ajuste o retirar/instalar conexiones o accesorios. Una activación de arranque accidental puede causar lesiones.



ADVERTENCIA: Para reducir el riesgo de lesiones personales graves, no use un gancho para colgar Versatrack™ o Trackwall de Versatrack™ dañados. Un gancho para colgar Versatrack™ o Trackwall de Versatrack™ dañados no soportarán el peso de la herramienta.



ADVERTENCIA: Para reducir el riesgo de lesiones personales serias, asegúrese que el accesorio que sujeta el gancho para colgar esté seguro.



ADVERTENCIA: Para reducir el riesgo de lesiones personales graves, NO suspenda la herramienta por encima ni cuelgue objetos del gancho. SÓLO suspenda la herramienta en el Trackwall de Versatrack™ con el gancho para colgar Versatrack™.



ADVERTENCIA: Asegúrese que el peso de la herramienta no exceda el peso máximo nominal para el gancho Versatrack™ seleccionado.



ADVERTENCIA: Cuando cuelgue objetos en la pared Versatrack™, espacie adecuadamente las herramientas para no exceder 35 kg (75 lbs) por pie lineal.

IMPORTANTE: Los accesorios Versatrack™ montan herramientas compatibles con seguridad al sistema Trackwall de Versatrack™.

1. Apague la herramienta, retire los accesorios y retire el suministro de aire.

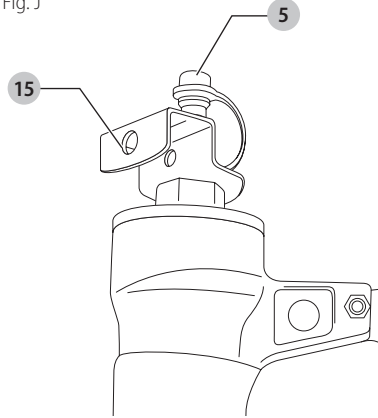


ATENCIÓN: Cualquier producto con dientes de corte expuestos debe tenerlos cubiertos de forma segura si va a estar en el Trackwall.

2. Conecte el gancho de colgar **15** a herramienta.
 - a. Use una llave para retirar el accesorio **5**.
 - b. Coloque el gancho para colgar Versatrack™ en el accesorio.
 - c. Use una llave para volver a instalar el acoplador al accesorio en la base de la herramienta.

NOTA: Los accesorios Versatrack™ para uso con su herramienta están disponibles por un costo adicional a partir de su distribuidor local o centro de servicio autorizado. Si necesita ayuda para encontrar cualquier accesorio, comuníquese con CRAFTSMAN, llame al **1-888-331-4569**.

Fig. J



Sujetador Ajustable para el Cinturón

(Fig. A)



ADVERTENCIA: Jamás use el gancho del cinturón cuando tenga un gatillo secuencial instalado en la herramienta.

Las clavadoras incluyen un sujetador ajustable para el cinturón integrado ④ que se girar hacia ambos lados de la herramienta para adaptarse a los usuarios diestros y zurdos. Si no desea utilizar el sujetador ajustable para el cinturón, se puede retirar de la herramienta.

Para Retirar el Sujetador Ajustable para el Cinturón

1. Desconecte la herramienta del suministro de aire.
2. Levante la palanca y mueva lentamente el gancho del cinturón a la dirección del gatillo.
3. Con la llave hexagonal adecuada, retire los tornillos de la tapa de extremo de la herramienta.
4. Retire el sujetador ajustable para el cinturón.
5. Vuelva a colocar la tapa de extremo y la junta. Asegúrese de ajustar los tres tornillos.
6. Vuelva a colocar la conexión con circulación de aire y ajústela.

Limpieza



ADVERTENCIA: Sople la suciedad y el polvo de todos los conductos de ventilación con aire seco, al menos una vez por semana. Para reducir el riesgo de lesiones, utilice siempre protección para los ojos aprobada ANSI Z87.1 al realizar esta tarea.



ADVERTENCIA: Nunca utilice solventes ni otros químicos abrasivos para limpiar las piezas no metálicas de la herramienta. Estos productos químicos pueden debilitar los materiales plásticos utilizados en estas piezas. Utilice un paño humedecido sólo con agua y jabón neutro. Nunca permita que penetre líquido dentro de la herramienta ni sumerja ninguna de las piezas en un líquido.

Reparaciones



ADVERTENCIA: Para asegurar la SEGURIDAD y la CONFIABILIDAD del producto, las reparaciones, el mantenimiento y los ajustes (inclusive la inspección y el cambio de las escobillas, cuando proceda) deben ser realizados en un centro de mantenimiento en la fábrica CRAFTSMAN u en un centro de mantenimiento autorizado CRAFTSMAN. Utilice siempre piezas de repuesto idénticas.

Para reparación y servicio de sus herramientas eléctricas, favor de dirigirse al Centro de Servicio más cercano

CULIACAN, SIN

Bldv. Emiliano Zapata 5400-1 Poniente Col. (667) 717 89 99
San Rafael

GUADALAJARA, JAL

Av. La Paz #1779 - Col. Americana Sector (33) 3825 6978
Juárez

MEXICO, D.F.

Eje Central Lázaro Cárdenas No. 18 - Local (55) 5588 9377
D, Col. Obrera

MERIDA, YUC

Calle 63 #459-A - Col. Centro (999) 928 5038

MONTERREY, N.L.

Av. Francisco I. Madero 831 Poniente - Col. (818) 375 23 13
Centro

PUEBLA, PUE

17 Norte #205 - Col. Centro (222) 246 3714

QUERETARO, QRO

Av. San Roque 274 - Col. San Gregorio (442) 2 17 63 14

SAN LUIS POTOSI, SLP

Av. Universidad 1525 - Col. San Luis (444) 814 2383

TORREON, COAH

Bldv. Independencia, 96 Pte. - Col. Centro (871) 716 5265

VERACRUZ, VER

Prolongación Díaz Mirón #4280 - Col. (229) 921 7016
Remes

VILLAHERMOSA, TAB

Constitución 516-A - Col. Centro (993) 312 5111

PARA OTRAS LOCALIDADES:

**Si se encuentra en México, por favor llame al
(55) 5326 7100**

**Si se encuentra en U.S., por favor llame al
1-888-331-4569**

Póliza de Garantía

IDENTIFICACIÓN DEL PRODUCTO:

Sello o firma del Distribuidor.

Nombre del producto: _____

Mod./Cat.: _____

Marca: _____

Núm. de serie: _____

(Datos para ser llenados por el distribuidor)

Fecha de compra y/o entrega del producto:

Nombre y domicilio del distribuidor donde se adquirió el producto:

Este producto está garantizado por un año a partir de la fecha de entrega, contra cualquier defecto en su funcionamiento, así como en materiales y mano de obra empleados para su fabricación. Nuestra garantía incluye la reparación o reposición del producto y/o componentes

ESPAÑOL

sin cargo alguno para el cliente, incluyendo mano de obra, así como los gastos de transportación razonablemente erogados derivados del cumplimiento de este certificado.

Para hacer efectiva esta garantía deberá presentar su herramienta y esta póliza sellada por el establecimiento comercial donde se adquirió el producto, de no contar con ésta, bastará la factura de compra.

Excepciones

Esta garantía no será válida en los siguientes casos:

- *Cuando el producto se hubiese utilizado en condiciones distintas a las normales;*
- *Cuando el producto no hubiese sido operado de acuerdo con el instructivo de uso que se acompaña;*
- *Cuando el producto hubiese sido alterado o reparado por personas distintas a las enlistadas al final de este certificado.*

Anexo encontrará una relación de sucursales de servicio de fábrica, centros de servicio autorizados y franquiciados en la República Mexicana, donde podrá hacer efectiva su garantía y adquirir partes, refacciones y accesorios originales.

Solamente para propósito de México:

Importado por: Craftsman. Tool Co. S.A. de C.V.
Avenida Antonio Dovali Jaime, # 70 Torre B Piso 9
Colonia La Fe, Santa Fé
Código Postal : 01210
Delegación Alvaro Obregón
México D.F.
Tel. (52) 555-326-7100
R.F.C.: BDE810626-1W7

Registro en Línea

Gracias por su compra. Registre su producto ahora para:

- **SERVICIO EN GARANTÍA:** Si completa esta tarjeta, podrá obtener un servicio en garantía más eficiente, en caso de que exista un problema con su producto.
- **CONFIRMACIÓN DE PROPIEDAD:** En caso de una pérdida que cubra el seguro, como un incendio, una inundación o un robo, el registro de propiedad servirá como comprobante de compra.
- **PARA SU SEGURIDAD:** Si registra el producto, podremos comunicarnos con usted en el caso improbable que se deba enviar una notificación de seguridad conforme a la Federal Consumer Safety Act (Ley Federal de Seguridad de Productos para el Consumidor).

Registro en línea en www.craftsman.com/registration.

Garantía Limitada por Tres Años

CRAFTSMAN reparará o reemplazará, sin cargo, cualquier defecto debido a materiales o mano de obra defectuosos por tres años desde la fecha de compra. Esta garantía no cubre falla de partes debido al desgaste normal o abuso de la herramienta. Para detalles adicionales de la cobertura de la garantía e información de reparación de garantía, visite www.craftsman.com o llame al **1-888-331-4569**.

Esta garantía no se aplica a accesorios o daño causado cuando otros hayan realizado o intentado reparaciones. ESTA GARANTÍA LIMITADA SE OTORGA EN LUGAR DE TODAS LAS DEMÁS, INCLUIDA LA GARANTÍA IMPLÍCITA DE COMERCIABILIDAD E IDONEIDAD PARA UN PROPÓSITO EN PARTICULAR, Y EXCLUYE TODOS LOS DAÑOS INCIDENTALES O EN CONSECUENCIA. Algunos estados no permiten limitaciones sobre la duración de una garantía implícita o la exclusión o limitación de daños incidentales o en consecuencia, por lo que estas limitaciones pueden no aplicarse en su caso. Esta garantía le da derechos legales específicos y puede tener otros derechos que varían en ciertos estados o provincias.

GARANTÍA DE REEMBOLSO DE SU DINERO POR 90 DÍAS

Si no está completamente satisfecho con el desempeño de su máquina herramienta o clavadora CRAFTSMAN, cualquiera sea el motivo, podrá devolverlo hasta 90 días de la fecha de compra con su recibo y obtener el reembolso completo de su dinero – sin necesidad de responder a ninguna pregunta.

AMÉRICA LATINA: Esta garantía no se aplica a los productos que se venden en América Latina. Para los productos que se venden en América Latina, debe consultar la información de la garantía específica del país que viene en el empaque, llamar a la compañía local o visitar el sitio Web a fin de obtener esa información.

REEMPLAZO GRATUITO DE LAS ETIQUETAS DE ADVERTENCIAS: Si sus etiquetas de advertencia se vuelven ilegibles o faltan, llame al **1-888-331-4569** para que se le reemplacen gratuitamente.

Diagnóstico de Falla

Problema	Causa	Corrección
Fuga de aire en la envoltura de la válvula disparadora.	Anillo en O cortado o rajado.	Reemplazar el anillo en O.
Vástago de la válvula disparadora tiene fuga de aire.	Anillos en O/sellos cortados o rajados.	Reemplazar anillo en O/sellos.
Fuga de aire en el armazón/nariz.	Tornillos de nariz flojos.	Apriete y verifique nuevamente.
	Anillo en O/empaquetadura cortada o rajada	Reemplazar el anillo en O o empaquetadura.
	Amortiguador rajado/desgastado.	Reemplazar el amortiguador.
Fuga de aire en el armazón/tapón.	Empaquetadura rajada.	Reemplazar la empaquetadura.
	Amortiguador de la válvula de cabeza rajado/desgastado.	Reemplazar el amortiguador.
	Tornillos de tapa flojos.	Apriete y verifique nuevamente.
No desempeña su ciclo.	Restricción en el suministro de aire.	Verifique el equipo de suministro de aire.
	Anillos en O de la válvula de cabeza desgastados.	Reemplazar los anillos en O.
	Resorte de la tapa del cilindro roto.	Reemplazar el resorte de la tapa del cilindro.
	Válvula de cabeza atorada en el tapón.	Desensamblar/Verificar.
Falta de Potencia Desempeña su Ciclo Lentamente.	Resorte de la tapa del cilindro roto.	Reemplazar el resorte de la tapa.
	Anillos en O/sellos cortados o rajados.	Reemplazar los anillos en O/sellos.
	Escape bloqueado.	Verificar el amortiguador, resorte de la válvula de cabeza.
	Ensamblaje del gatillo desgastado/tiene fugas.	Reemplazar el ensamblaje del gatillo.
	Acumulación de polvo/alquitrán en impulsor.	Desensamblar la nariz/impulsor para limpiar.
	La manga del cilindro no está asentada debidamente en el amortiguador de abajo.	Desensamblar para corregir.
	Presión de aire demasiado baja.	Verifique el equipo de suministro de aire.
Sujetadores que saltan. Alimentación intermitente.	Amortiguador desgastado.	Reemplazar el amortiguador.
	Alquitrán/polvo en el canal del impulsor.	Desensamblar y limpiar la nariz y el impulsor.
	Restricción de aire/flujo de aire inadecuado a través del casquillo y tapón de desconectado rápido.	Reemplazar los accesorios de desconectado rápido.
	Anillo en O de pistón desgastado.	Reemplazar el anillo en O, verificar el impulsor.
	Resorte de empuje dañado.	Reemplazar el resorte.
	Baja presión de aire.	Verifique el sistema de suministro de aire a la herramienta.
	Tornillos flojos en la nariz del cargador.	Apriete todos los tornillos.
	Los sujetadores son demasiado cortos para la herramienta.	Use sólo los sujetadores recomendados.
	Sujetadores doblados.	No use estos sujetadores más.
	Sujetadores de tamaño equivocado.	Use sólo los sujetadores recomendados.
	Empaquetadura de la tapa de cabeza con fugas.	Apriete los tornillos/Reemplazar la empaquetadura.
	Anillo en O de la válvula del disparador cortado/ desgastado.	Reemplazar el anillo en O.
	Impulsor roto/quebrado.	Reemplazar el impulsor.
Cargador desgastado.	Reemplazar el cargador.	
Los sujetadores se atorán en la herramienta.	Canal del impulsador desgastado.	Reemplazar la nariz/Verificar la puerta.
	Sujetadores de tamaño equivocado.	Use sólo los sujetadores recomendados.
	Sujetadores doblados.	No use estos sujetadores más.
	Tornillos flojos en el cargador/la nariz.	Apriete todos los tornillos.
	Impulsor roto/quebrado.	Reemplazar el impulsor.

CRAFTSMAN, 701 East Joppa Road, Towson, MD 21286
Copyright © 2018