

CRAFTSMAN[®]

INSTRUCTION MANUAL | GUIDE D'UTILISATION | MANUAL DE INSTRUCCIONES

3.0 Amp Oscillating Multi-Tool **Outil oscillant polyvalent de 3,0 A** **Multiherramienta oscilante de 3,0 Amperios**

CMEW400



IF YOU HAVE QUESTIONS OR COMMENTS, CONTACT US.
POUR TOUTE QUESTION OU TOUT COMMENTAIRE, NOUS CONTACTER.
SI TIENE DUDAS O COMENTARIOS, CONTÁCTENOS.

1-888-331-4569

WWW.CRAFTSMAN.COM

English (original instructions)	1
Français (<i>traduction de la notice d'instructions originale</i>)	10
Español (<i>traducido de las instrucciones originales</i>)	20

Thank you for choosing a CRAFTSMAN product!

At CRAFTSMAN, we have 90 years of quality and innovation. Together, we are makers.

Please take a moment to read this manual before operating your new tool. Understanding the safety warnings and cautions is important before using your new purchase safely. Knowing the correct operating information will help you to use your tool to its full potential.

Merci d'avoir choisi un produit CRAFTSMAN!

Chez Craftsman, nous évoluons depuis 90 ans avec des produits de qualité innovants. Avec vous, nous formons une équipe de bâtisseurs.

Veillez prendre un moment pour lire le présent guide pour vous familiariser avec votre nouvel outil. Il est important de comprendre les avis et avertissements de sécurité avant d'utiliser votre nouvelle acquisition. Connaître la bonne façon de la faire fonctionner vous permettra de l'utiliser à son plein potentiel.

¡Gracias por elegir un producto CRAFTSMAN!

En Craftsman, tenemos 90 de calidad e innovación. Juntos, somos fabricantes.

Tome un momento para leer este manual antes de operar su herramienta nueva. Es importante que comprenda las advertencias y precauciones de seguridad antes de usar su nueva compra de forma segura. Conocer la información de operación correcta le ayudará a utilizar su herramienta en todo su potencial.

Definitions: Safety Alert Symbols and Words

This instruction manual uses the following safety alert symbols and words to alert you to hazardous situations and your risk of personal injury or property damage.



DANGER: Indicates an imminently hazardous situation which, if not avoided, **will** result in **death or serious injury**.



WARNING: Indicates a potentially hazardous situation which, if not avoided, **could** result in **death or serious injury**.



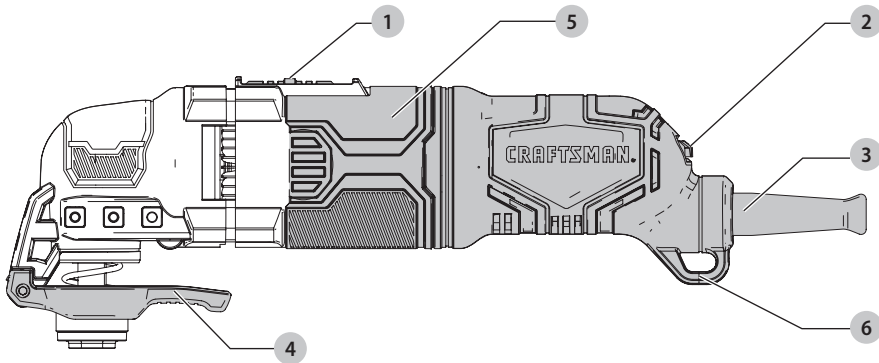
CAUTION: Indicates a potentially hazardous situation which, if not avoided, **may** result in **minor or moderate injury**.



(Used without word) Indicates a safety related message.

NOTICE: Indicates a practice **not related to personal injury** which, if not avoided, **may** result in **property damage**.

Fig. A



COMPONENTS

- 1 On/Off switch
- 2 Variable speed dial
- 3 6.5 foot (2 m) cord
- 4 Tool-Free accessory clamp
- 5 Handle
- 6 Versatrack™ hang loop



WARNING: Read all safety warnings and all instructions. Failure to follow the warnings and instructions may result in electric shock, fire and/or serious injury.



WARNING: Never modify the product or any part of it. Damage or personal injury could result.



WARNING: To reduce the risk of injury, read the instruction manual.

If you have any questions or comments about this or any product, call CRAFTSMAN toll free at: 1-888-331-4569.

3.0 Amp Oscillating Multi-Tool CMEW400

GENERAL POWER TOOL SAFETY WARNINGS



WARNING: Read all safety warnings, instructions, illustrations and specifications provided with this power tool. Failure to follow all instructions listed below may result in electric shock, fire and/or serious injury.

SAVE ALL WARNINGS AND INSTRUCTIONS FOR FUTURE REFERENCE

The term "power tool" in the warnings refers to your mains-operated (corded) power tool or battery-operated (cordless) power tool.

1) Work Area Safety

- a) **Keep work area clean and well lit.** Cluttered or dark areas invite accidents.
- b) **Do not operate power tools in explosive atmospheres, such as in the presence of flammable liquids, gases or dust.** Power tools create sparks which may ignite the dust or fumes.
- c) **Keep children and bystanders away while operating a power tool.** Distractions can cause you to lose control.

2) Electrical Safety

- a) **Power tool plugs must match the outlet. Never modify the plug in any way. Do not use any adapter plugs with earthed (grounded) power tools.** Unmodified plugs and matching outlets will reduce risk of electric shock.
- b) **Avoid body contact with earthed or grounded surfaces such as pipes, radiators, ranges and refrigerators.** There is an increased risk of electric shock if your body is earthed or grounded.
- c) **Do not expose power tools to rain or wet conditions.** Water entering a power tool will increase the risk of electric shock.
- d) **Do not abuse the cord. Never use the cord for carrying, pulling or unplugging the power tool. Keep cord away from heat, oil, sharp edges or moving parts.** Damaged or entangled cords increase the risk of electric shock.
- e) **When operating a power tool outdoors, use an extension cord suitable for outdoor use.** Use of a cord suitable for outdoor use reduces the risk of electric shock.
- f) **If operating a power tool in a damp location is unavoidable, use a ground fault circuit interrupter (GFCI) protected supply.** Use of a GFCI reduces the risk of electric shock.

3) Personal Safety

- a) **Stay alert, watch what you are doing and use common sense when operating a power tool. Do not use a power tool while you are tired or under**

the influence of drugs, alcohol or medication. A moment of inattention while operating power tools may result in serious personal injury.

- b) **Use personal protective equipment. Always wear eye protection.** Protective equipment such as dust mask, non-skid safety shoes, hard hat, or hearing protection used for appropriate conditions will reduce personal injuries.
- c) **Prevent unintentional starting. Ensure the switch is in the off position before connecting to power source and/or battery pack, picking up or carrying the tool.** Carrying power tools with your finger on the switch or energizing power tools that have the switch on invites accidents.
- d) **Remove any adjusting key or wrench before turning the power tool on.** A wrench or a key left attached to a rotating part of the power tool may result in personal injury.
- e) **Do not overreach. Keep proper footing and balance at all times.** This enables better control of the power tool in unexpected situations.
- f) **Dress properly. Do not wear loose clothing or jewelry. Keep your hair, clothing and gloves away from moving parts.** Loose clothes, jewelry or long hair can be caught in moving parts.
- g) **If devices are provided for the connection of dust extraction and collection facilities, ensure these are connected and properly used.** Use of dust collection can reduce dust-related hazards.
- h) **Do not let familiarity gained from frequent use of tools allow you to become complacent and ignore tool safety principles.** A careless action can cause severe injury within a fraction of a second.

4) Power Tool Use and Care

- a) **Do not force the power tool. Use the correct power tool for your application.** The correct power tool will do the job better and safer at the rate for which it was designed.
- b) **Do not use the power tool if the switch does not turn it on and off.** Any power tool that cannot be controlled with the switch is dangerous and must be repaired.
- c) **Disconnect the plug from the power source and/or remove the battery, pack if detachable, from the power tool before making any adjustments, changing accessories, or storing power tools.** Such preventive safety measures reduce the risk of starting the power tool accidentally.
- d) **Store idle power tools out of the reach of children and do not allow persons unfamiliar with the power tool or these instructions to operate the power tool.** Power tools are dangerous in the hands of untrained users.

- e) **Maintain power tools and accessories. Check for misalignment or binding of moving parts, breakage of parts and any other condition that may affect the power tool's operation. If damaged, have the power tool repaired before use.** Many accidents are caused by poorly maintained power tools.
- f) **Keep cutting tools sharp and clean.** Properly maintained cutting tools with sharp cutting edges are less likely to bind and are easier to control.
- g) **Use the power tool, accessories and tool bits, etc. in accordance with these instructions, taking into account the working conditions and the work to be performed.** Use of the power tool for operations different from those intended could result in a hazardous situation.
- h) **Keep handles and grasping surfaces dry, clean and free from oil and grease.** Slippery handles and grasping surfaces do not allow for safe handling and control of the tool in unexpected situations.

5) Service

- a) **Have your power tool serviced by a qualified repair person using only identical replacement parts. This will ensure that the safety of the power tool is maintained.**

Additional Safety Rules for Oscillating Multi-Tools

- **Hold power tool by insulated gripping surfaces, when performing an operation where the cutting accessory may contact hidden wiring or its own cord.** Cutting accessory contacting a "live" wire may make exposed metal parts of the power tool "live" and could give the operator an electric shock.
- **Use clamps or another practical way to secure and support the work piece to a stable platform.** Holding the work by hand or against your body leaves it unstable and may lead to loss of control.
- **Air vents often cover moving parts and should be avoided.** Loose clothes, jewelry or long hair can be caught in moving parts.
- **Disconnect power before using tool near live wires or where there may be hidden wiring.** Cutting accessory contacting a "live" wire may make exposed metal parts of the power tool "live" and could give the operator an electric shock." Always check for hidden wiring, gas lines, or other utilities before performing any material cutting or removal operations with the tool.
- **Wait for the cutter to stop before setting the tool down.** An exposed cutter may engage the surface leading to possible loss of control and serious injury.
- **Do not operate this tool for long periods of time.** Vibration caused by the operating action of this tool may cause permanent injury to fingers, hands, and arms. Use gloves to provide extra cushion, take frequent rest periods, and limit daily time of use.

- **Do not restart the cutting operation in the work piece.** Let the tool reach full speed and carefully re-enter the cut.
- **Do not "jam" the saw blade or apply excessive pressure.** Do not attempt to make an excessive depth of cut.
- **Keep your hands away from cutting area.** Do not reach under the material being cut.
- **Do not use dull or damaged blades.** Bent blade can break easily or cause kickback. Exercise extreme caution when handling the accessories. The accessories are very sharp. Wear protective gloves when changing cutting accessories. Accessories become hot after prolonged usage.
- **Before scraping, check work piece for nails.** If there are nails, either remove them or set them well below intended finished surface. Striking a nail with accessory edge could cause the tool to jump.
- **Do not wet sand with this tool.** Liquids entering the motor housing are an electrical shock hazard.
- **Never work in area which is soaked with a liquid, such as a solvent or water, or dampened such as newly applied wallpaper.** There is an electrical shock hazard when working in such conditions with a power tool and heating of the liquid caused by scraping action may cause harmful vapors to be emitted from work piece.
- **Do not use sandpaper intended for larger sanding pads.** Larger sandpaper will extend beyond the sanding pad causing snagging, tearing of the paper or kick-back. Extra paper extending beyond the sanding pad can also cause serious lacerations.

Specific Safety Warnings and Instructions: Sanders

Sanding Lead Based Paint

Sanding of lead based paint is NOT RECOMMENDED due to the difficulty of controlling the contaminated dust. The greatest danger of lead poisoning is to children and pregnant women.

Since it is difficult to identify whether or not a paint contains lead without a chemical analysis, we recommend the following precautions when sanding any paint:

Personal Safety

- No children or pregnant women should enter the work area where the paint sanding is being done until all clean up is completed.
- A dust mask or respirator should be worn by all persons entering the work area. The filter should be replaced daily or whenever the wearer has difficulty breathing.

NOTE: Only those dust masks suitable for working with lead paint dust and fumes should be used. Ordinary painting masks do not offer this protection. See your local hardware dealer for the proper (NIOSH approved) mask.

ENGLISH

- NO EATING, DRINKING or SMOKING should be done in the work area to prevent ingesting contaminated paint particles. Workers should wash and clean up BEFORE eating, drinking or smoking. Articles of food, drink, or smoking should not be left in the work area where dust would settle on them.

Environmental Safety

- Paint should be removed in such a manner as to minimize the amount of dust generated.
- Areas where paint removal is occurring should be sealed with plastic sheeting of 4 mils thickness.
- Sanding should be done in a manner to reduce tracking of paint dust outside the work area.

Cleaning and Disposal

- All surfaces in the work area should be vacuumed and thoroughly cleaned daily for the duration of the sanding project. Vacuum filter bags should be changed frequently.
- Plastic drop cloths should be gathered up and disposed of along with any dust chips or other removal debris. They should be placed in sealed refuse receptacles and disposed of through regular trash pick-up procedures. During clean up, children and pregnant women should be kept away from the immediate work area.
- All toys, washable furniture and utensils used by children should be washed thoroughly before being used again.

Additional Safety Information

WARNING: ALWAYS use safety glasses. Everyday eyeglasses are NOT safety glasses. Also use face or dust mask if cutting operation is dusty. ALWAYS WEAR CERTIFIED SAFETY EQUIPMENT:

- ANSI Z87.1 eye protection (CAN/CSA Z94.3),
- ANSI S12.6 (S3.19) hearing protection,
- NIOSH/OSHA/MSHA respiratory protection.

WARNING: Some dust created by power sanding, sawing, grinding, drilling, and other construction activities contains chemicals known to the State of California to cause cancer, birth defects or other reproductive harm. Some examples of these chemicals are:

- lead from lead-based paints,
- crystalline silica from bricks and cement and other masonry products, and
- arsenic and chromium from chemically-treated lumber.

Your risk from these exposures varies, depending on how often you do this type of work. To reduce your exposure to these chemicals: work in a well ventilated area, and work with approved safety equipment, such as those dust masks that are specially designed to filter out microscopic particles.

- **Avoid prolonged contact with dust from power sanding, sawing, grinding, drilling, and other construction activities. Wear protective clothing and**

wash exposed areas with soap and water. Allowing dust to get into your mouth, eyes, or lay on the skin may promote absorption of harmful chemicals.

WARNING: Use of this tool can generate and/or disperse dust, which may cause serious and permanent respiratory or other injury. Always use NIOSH/OSHA approved respiratory protection appropriate for the dust exposure. Direct particles away from face and body.

WARNING: Always wear proper personal hearing protection that conforms to ANSI S12.6 (S3.19) during use. Under some conditions and duration of use, noise from this product may contribute to hearing loss.

- **Air vents often cover moving parts and should be avoided.** Loose clothes, jewelry or long hair can be caught in moving parts.
- **An extension cord must have adequate wire size (AWG or American Wire Gauge) for safety.** The smaller the gauge number of the wire, the greater the capacity of the cable, that is, 16 gauge has more capacity than 18 gauge. An undersized cord will cause a drop in line voltage resulting in loss of power and overheating. When using more than one extension to make up the total length, be sure each individual extension contains at least the minimum wire size. The following table shows the correct size to use depending on cord length and nameplate ampere rating. If in doubt, use the next heavier gauge. The lower the gauge number, the heavier the cord.

Minimum Gauge for Cord Sets					
Volts	Total Length of Cord in Feet (meters)				
	120 V	25 (7.6)	50 (15.2)	100 (30.5)	150 (45.7)
240 V	50 (15.2)	100 (30.5)	200 (61.0)	300 (91.4)	
Ampere Rating		American Wire Gauge			
More Than	Not More Than				
0	6	18	16	16	14
6	10	18	16	14	12
10	12	16	16	14	12
12	16	14	12	Not Recommended	

The label on your tool may include the following symbols. The symbols and their definitions are as follows:

V	volts	SPM	strokes per minute
Hz	hertz	OPM.....	oscillations per minute
min	minutes		
— — — or DC.....	direct current	A	amperes
Ⓢ	Class I Construction (grounded)	W	watts
.../min.....	per minute	~ or AC.....	alternating current
BPM	beats per minute	⎓ or AC/DC...	alternating or direct current
IPM	impacts per minute	Ⓢ	Class II Construction (double insulated)
RPM	revolutions per minute	n ₀	no load speed
sfpm	surface feet per minute	n	rated speed

⊕.....	earthing terminal	2N ~.....	two phase alternating current with neutral
⚠.....	safety alert symbol	3 ~.....	three phase alternating current
☀.....	visible radiation	3N ~.....	three phase alternating current with neutral
☁.....	wear respiratory protection	⎓.....	rated current of the appropriate fuse-link in amperes
👁.....	wear eye protection	⎓-X.....	time-log miniature fuse-link where X is the symbol for the time/current characteristic, as given in IEC 60127-3
👂.....	wear hearing protection	IPXX.....	IP symbol
📖.....	read all documentation		
./min or ..min ⁻¹	Revolutions or Reciprocations per minute		
2 ~.....	two phase alternating current		

SAVE THESE INSTRUCTIONS FOR FUTURE USE

COMPONENTS (FIG. A)

Motor

Be sure your power supply agrees with the nameplate marking. Voltage decrease of more than 10% will cause loss of power and overheating. Your tool is factory tested; if this tool does not operate, check power supply.

Intended Use

This oscillating multi-tool is designed for professional detail sanding, plunge cutting, flush cutting, removal of excess materials and surface preparation applications.

DO NOT use under wet conditions or in presence of flammable liquids or gases.

This oscillating multi-tool is a professional power tool.

DO NOT let children come into contact with the tool. Supervision is required when inexperienced operators use this tool.

ASSEMBLY AND ADJUSTMENTS

⚠ WARNING: To reduce the risk of serious personal injury, turn unit off and disconnect it from power source before making any adjustments or removing/installing attachments or accessories. An accidental start-up can cause injury.

⚠ WARNING: Risk of lacerations or burns. Do not touch the sharp edges of accessories at any time. Do not touch work piece or blade immediately after operating the tool. They can become very hot. Handle carefully. Always allow accessories and work piece to cool before handling.

Installing/Removing Accessories (Fig. B–D)

The tool features an exclusive Tool-Free System for faster accessory changes and adjustments without the need for wrenches or hex keys like other oscillating tool systems.

1. Grasp the tool and squeeze the Tool-Free accessory clamp's 4 lever.
2. Clean any residual debris from the tool shaft 7 and the Tool-Free accessory clamp holder.
3. Slide the accessory between the shaft and the accessory holder making sure the accessory engages all of the pins 8 on the holder and is flush with the shaft as shown in Figure B.
4. Release the Tool-Free accessory clamp lever.
5. Some accessories, such as scrapers and blades can be mounted at an angle if required as shown in Figures C and D.

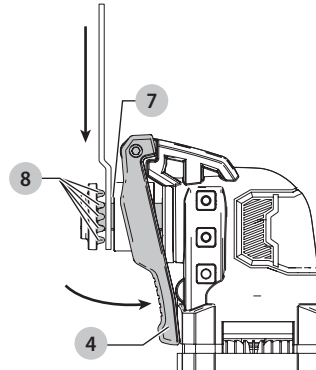


Fig. C

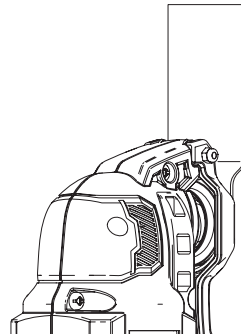
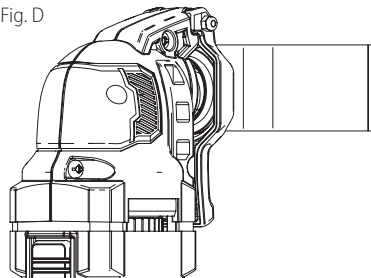


Fig. D

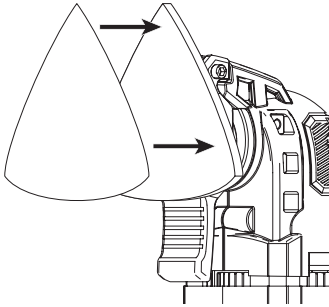


Installing/Removing Sanding Sheets (Fig. E)

A diamond shaped platen uses a hook and loop adhesion system to attach the sanding sheets. The platen allows you to use it on large flat surfaces and tight spots or corners.

1. Attach the sanding platen accessory as described under **Installing/Removing Accessories**.
2. Align the edges on the sanding sheet with the edge of the sanding platen and press the sanding sheet onto the platen.
3. Firmly press the base with the sanding sheet attached against a flat surface and briefly switch the tool on. This provides for good adhesion between the platen and the sanding sheet and also helps to prevent premature wear.

NOTE: When the tip of the sanding sheet becomes worn, detach the sheet from the platen, rotate and reapply.
Fig. E



OPERATION

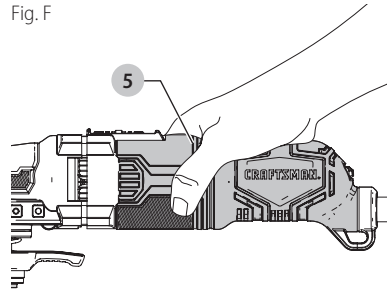
WARNING: To reduce the risk of serious personal injury, turn unit off and disconnect it from power source before making any adjustments or removing/installing attachments or accessories. An accidental start-up can cause injury.

Proper Hand Position (Fig. F)

- WARNING:** To reduce the risk of serious personal injury, ALWAYS use proper hand position as shown.
- WARNING:** To reduce the risk of serious personal injury, ALWAYS hold securely in anticipation of a sudden reaction.

Proper hand position requires one hand on the handle 5. If extra precision is needed, carefully hold the tool with both hands.

Fig. F

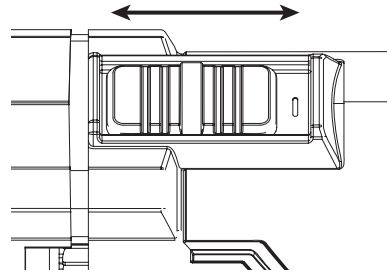


Switch (Fig. G)

CAUTION: Because the tool has a separate speed dial for setting the speed (10000–22000 OPM), the tool will start at the speed where the variable speed dial is set. Be sure switch is fully OFF before plugging in the power cord.

1. Plug in power cord.
2. To turn the tool ON, push the slide switch forward.
3. To turn the tool OFF, push the slide switch backward.

Fig. G



Variable Speed Dial (Fig. H)

CAUTION: Because the tool has a separate speed dial for setting the speed (10000 - 22000 OPM), the tool will start at the speed where the variable speed dial is set. Be sure switch is fully OFF before plugging in the power cord.

To operate the tool, select the speed setting you wish with the speed dial, shown in Figure H, and slide the On/Off switch forward. The speed setting can be adjusted either with the tool on or off.

The numbered positions, 1 through 6 inscribed on the variable speed dial 2, do not indicate any precise speed but are good reference points. The higher the number, the higher the tool speed.

The approximate speed at each setting is:

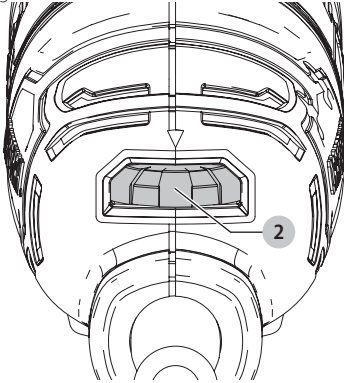
SPEED SETTING	APPROXIMATE SPEED (OPM)
1	10000
2	12000
3	14000
4	16000

SPEED SETTING	APPROXIMATE SPEED (OPM)
5	18000
6	22000






(Actual OPM's on your tool may vary.)

Be sure to select the proper speed for your oscillating tool operation. If in doubt about the proper speed for your operation, test the performance at low speed settings and gradually increase until a comfortable speed is found.


Fig. H



Plunge Cutting


-  **WARNING:** Hold saw firmly with both hands for all cutting operations.
-  **WARNING:** Inspect work area for hidden electrical wiring, gas pipes or water pipes before making blind or plunge cuts. Failure to do so may result in electrical shock, fire, explosion, or property damage.
-  **WARNING:** ALWAYS use safety glasses. Everyday eyeglasses are NOT safety glasses. Also use face or dust mask if cutting operation is dusty. ALWAYS WEAR CERTIFIED SAFETY EQUIPMENT.
-  **WARNING:** CUT HAZARD. Before cutting any type of material, be sure it is firmly anchored or clamped to prevent slipping.
-  **WARNING:** CUT HAZARD. Let the tool work at its own pace. Do not overload, blade breakage may occur.

To Make a Cut

1. Clearly mark the desired cutting area.
2. Switch the tool on before applying pressure and slowly feed the blade into the work piece at the marked location.
-  **WARNING:** CUT HAZARD. Ensure the blade is not in contact with cutting surface before starting tool.
3. Advance the blade along the cutting line or plunge it further down the line until cut is completed. Don't force the tool; let the blade cut at its own speed.
4. Switch the tool off.

NOTE: Always use the appropriate type of saw blade for the work piece material and type of cut. Cut only with sharp blades; they cut cleaner, faster and put less strain on the motor while cutting.

Sanding


-  **WARNING:** Fire hazard. When working on metal surfaces, do not use a vacuum cleaner because sparks are generated. Wear safety glasses and a dust mask. Due to the danger of fire, do not use your sander to sand magnesium surfaces. Do not use for wet sanding.

NOTE: Do not rest fingers on platen during use. Move it in long sweeping strokes across the surface, letting it do the work. Light pressure is all that is required for sanding.

Helpful Hints

- Always ensure the work piece is firmly held or clamped to prevent movement. Any movement of the material may affect the quality of the cutting or sanding finish.
- Do not start sanding without having the sandpaper attached to sanding platen.
- Use coarse grit paper to sand rough surfaces, medium grit for smooth surfaces and fine grit for the finishing surfaces. If necessary, first make a test run on scrap material.
- Excessive force will reduce the working efficiency and cause motor overload. Replacing the accessory regularly will maintain optimum working efficiency.
- Do not allow the sandpaper to wear away, it will damage the sanding pad.
- If the tool overheats, especially when used at low speed, set the speed to maximum and run it with no load for 2–3 minutes to cool the motor. Avoid prolonged usage at very low speeds. Always keep the blade sharp.

MAINTENANCE

-  **WARNING:** To reduce the risk of serious personal injury, turn unit off and disconnect it from power source remove the battery pack before making any adjustments or removing/installing attachments or accessories. An accidental start-up can cause injury.

Accessories

-  **WARNING:** Since accessories, other than those offered with DeWALT Universal Fitment™, have not been tested with this product, use of such accessories with this tool could be hazardous. To reduce the risk of injury, only CRAFTSMAN recommended accessories should be used with this product.

Recommended accessories for use with your tool are available at extra cost from your local dealer or authorized service center. If you need assistance in locating any accessory, please contact CRAFTSMAN, call **1-888-331-4569**.

Versatrack™ (Fig. 1)

⚠ WARNING: To reduce the risk of serious personal injury, turn unit off and disconnect it from power source before making any adjustments or removing/installing attachments or accessories. An accidental start-up can cause injury.

⚠ WARNING: To reduce the risk of serious personal injury, do not use a damaged Versatrack peg hook or Versatrack™ Trackwall. A damaged Versatrack™ peg hook or Versatrack™ Trackwall will not support the weight of the tool.

⚠ WARNING: To reduce the risk of serious personal injury, DO NOT suspend tool overhead or suspend objects from the peg hook. ONLY suspend tool on the Versatrack™ Trackwall using the peg hook.

⚠ WARNING: Ensure that the tool weight does not exceed the maximum rated weight for the selected Versatrack™ hook.

⚠ WARNING: When hanging objects on a Versatrack™ Trackwall rail, adequately space the tools in order to not exceed 75 lb (35 kg) per linear foot.

IMPORTANT: Versatrack™ accessories mount compatible tools securely to the Versatrack™ Trackwall system.

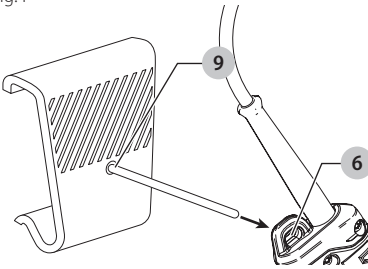
1. Turn tool off, remove accessories, and disconnect it from power source.

⚠ CAUTION: Any product with exposed cutting teeth must have them covered securely if it is to be on the Versatrack™ Trackwall.

2. Mount the peg hook **9** to the Versatrack™ Trackwall.
3. Slide the peg hook through the loop **6** on the tool.

NOTE: Versatrack™ accessories for use with your tool are available at extra cost from your local dealer or authorized service center. If you need assistance in locating any accessory, please contact CRAFTSMAN, call **1-888-331-4569**.

Fig. 1



Repairs

⚠ WARNING: To assure product SAFETY and RELIABILITY, repairs, maintenance and adjustment (including brush inspection and replacement, when applicable) should be performed by a CRAFTSMAN factory service center or a CRAFTSMAN authorized service center. Always use identical replacement parts.

Cleaning

⚠ WARNING: Blow dirt and dust out of all air vents with clean, dry air at least once a week. To minimize the risk of eye injury, always wear ANSI Z87.1 approved eye protection when performing this.

⚠ WARNING: Never use solvents or other harsh chemicals for cleaning the non-metallic parts of the tool. These chemicals may weaken the plastic materials used in these parts. Use a cloth dampened only with water and mild soap. Never let any liquid get inside the tool; never immerse any part of the tool into a liquid.

Register Online

Thank you for your purchase. Register your product now for:

- **WARRANTY SERVICE:** Registering your product will help you obtain more efficient warranty service in case there is a problem with your product.
- **CONFIRMATION OF OWNERSHIP:** In case of an insurance loss, such as fire, flood or theft, your registration of ownership will serve as your proof of purchase.
- **FOR YOUR SAFETY:** Registering your product will allow us to contact you in the unlikely event a safety notification is required under the Federal Consumer Safety Act.

Register online at www.craftsman.com/registration

Three Year Limited Warranty

CRAFTSMAN will repair or replace, without charge, any defects due to faulty materials or workmanship for three years from the date of purchase. This warranty does not cover part failure due to normal wear or tool abuse. For further detail of warranty coverage and warranty repair information, visit www.craftsman.com or call **1-888-331-4569**. This warranty does not apply to accessories or damage caused where repairs have been made or attempted by others. THIS LIMITED WARRANTY IS GIVEN IN LIEU OF ALL OTHERS, INCLUDING THE IMPLIED WARRANTY OF MERCHANTABILITY AND FITNESS FOR A PARTICULAR PURPOSE, AND EXCLUDES ALL INCIDENTAL OR CONSEQUENTIAL DAMAGES. Some states do not allow limitations on how long an implied warranty lasts or the exclusion or limitation of incidental or consequential damages, so these limitations may not apply to you. This warranty gives you specific legal rights and you may have other rights which vary in certain states or provinces.

90 DAY MONEY BACK GUARANTEE

If you are not completely satisfied with the performance of your CRAFTSMAN Power Tool or Nailer for any reason, you can return it within 90 days from the date of purchase with a receipt for a full refund – no questions asked.

LATIN AMERICA: This warranty does not apply to products sold in Latin America. For products sold in Latin America, see country specific warranty information contained in the packaging, call the local company or see website for warranty information.

FREE WARNING LABEL REPLACEMENT: If your warning labels become illegible or are missing, call **1-888-331-4569** for a free replacement.

TROUBLESHOOTING GUIDE

BE SURE TO FOLLOW SAFETY RULES AND INSTRUCTIONS

For assistance with your product, visit our website at www.craftsman.com for a list of service centers, or call CRAFTSMAN at 1-888-331-4569.

PROBLEM	CAUSE	CORRECTION
Unit will not start.	Cord not plugged in.	Plug tool into a working outlet.
	Circuit fuse is blown.	Replace circuit fuse. (If the product repeatedly causes the circuit fuse to blow, discontinue use immediately and have it serviced at an authorized service center.)
	Circuit breaker is tripped.	Reset circuit breaker. (If the product repeatedly causes the circuit fuse to blow, discontinue use immediately and have it serviced at an authorized service center.)
	Cord or switch is damaged.	Have cord or switch replaced at an authorized service center.

Définitions : symboles et termes d'alarmes sécurité

Ces guides d'utilisation utilisent les symboles et termes d'alarmes sécurité suivants pour vous prévenir de situations dangereuses et de risques de dommages corporels ou matériels.



DANGER : indique une situation dangereuse imminente qui, si elle n'est pas évitée, **entraînera la mort ou des blessures graves**.



AVERTISSEMENT : indique une situation potentiellement dangereuse qui, si elle n'est pas évitée, **pourrait entraîner la mort ou des blessures graves**.



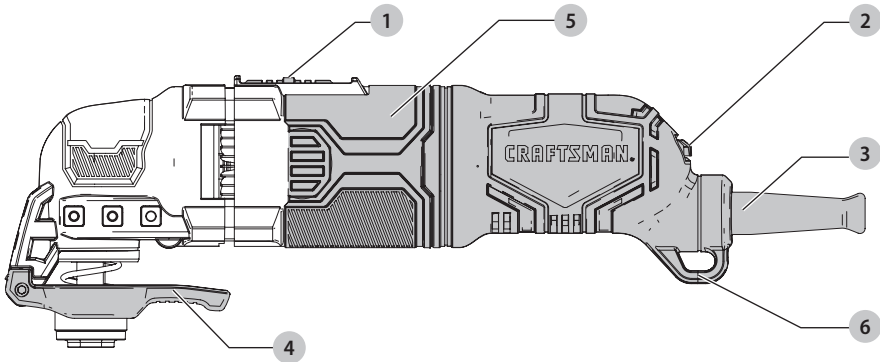
ATTENTION : indique une situation potentiellement dangereuse qui, si elle n'est pas évitée, **pourrait entraîner des blessures légères ou modérées**.



(Si utilisé sans aucun terme) Indique un message propre à la sécurité.

AVIS : indique une pratique ne posant **aucun risque de dommages corporels** mais qui par contre, si rien n'est fait pour l'éviter, **pourrait poser des risques de dommages matériels**.

Fig. A



DESCRIPTION

- 1 Interrupteur marche/arrêt
- 2 Cadran de vitesses variables
- 3 Cordon de 2 m (6,5 pi)
- 4 Mécanisme de serrage d'accessoire sans outil
- 5 Poignée d'ajustement de profondeur/de coupe*
- 6 Versatrack™ boucle



AVERTISSEMENT : lire tous les avertissements de sécurité et toutes les directives. Le non-respect des avertissements et des directives pourrait se solder par un choc électrique, un incendie et/ou une blessure grave.



AVERTISSEMENT : ne jamais modifier l'outil électrique ni aucun de ses composants, car il y a des risques de dommages corporels ou matériels.



AVERTISSEMENT : afin de réduire le risque de blessures, lire le mode d'emploi de l'outil.

Pour toute question ou remarque au sujet de cet outil ou de tout autre outil CRAFTSMAN composez le numéro sans frais : 1-888-331-4569.

Outil oscillant polyvalent de 3,0 A CMEW400

AVERTISSEMENTS GÉNÉRAUX SUR LA SÉCURITÉ DES OUTILS



AVERTISSEMENT : lisez tous les avertissements de sécurité, toutes les instructions, les illustrations et les caractéristiques fournis avec cet outil électrique. Ne pas suivre toutes les instructions comprises aux présentes peut conduire à un choc électrique, un incendie et/ou des blessures graves.

CONSERVER TOUS LES AVERTISSEMENTS ET TOUTES LES DIRECTIVES POUR UN USAGE ULTÉRIEUR

Le terme « outil électrique » cité dans les avertissements se rapporte à votre outil électrique à alimentation sur secteur (avec fil) ou par piles (sans fil).

1) Sécurité du lieu de travail

- Tenir l'aire de travail propre et bien éclairée.**
Les lieux encombrés ou sombres sont propices aux accidents.
- Ne pas faire fonctionner d'outils électriques dans un milieu déflagrant, tel qu'en présence de liquides, de gaz ou de poussières inflammables.**
Les outils électriques produisent des étincelles qui pourraient enflammer la poussière ou les vapeurs.
- Éloigner les enfants et les personnes à proximité pendant l'utilisation d'un outil électrique.** Une distraction pourrait en faire perdre la maîtrise à l'utilisateur.

2) Sécurité en matière d'électricité

- Les fiches des outils électriques doivent correspondre à la prise. Ne jamais modifier la fiche d'aucune façon. Ne jamais utiliser de fiche d'adaptation avec un outil électrique mis à la terre.** Le risque de choc électrique sera réduit par l'utilisation de fiches non modifiées correspondant à la prise.
- Éviter tout contact physique avec des surfaces mises à la terre comme des tuyaux, des radiateurs, des cuisinières et des réfrigérateurs.** Le risque de choc électrique est plus élevé si votre corps est mis à la terre.
- Ne pas exposer les outils électriques à la pluie ou à l'humidité.** La pénétration de l'eau dans un outil électrique augmente le risque de choc électrique.
- Ne pas utiliser le cordon de façon abusive. Ne jamais utiliser le cordon pour transporter, tirer ou débrancher un outil électrique. Tenir le cordon éloigné de la chaleur, de l'huile, des bords tranchants et des pièces mobiles.** Les cordons endommagés ou enchevêtrés augmentent les risques de choc électrique.

- Pour l'utilisation d'un outil électrique à l'extérieur, se servir d'une rallonge convenant à cette application.** L'utilisation d'une rallonge conçue pour l'extérieur réduira les risques de choc électrique.
- S'il est impossible d'éviter l'utilisation d'un outil électrique dans un endroit humide, brancher l'outil dans une prise ou sur un circuit d'alimentation dotés d'un disjoncteur de fuite à la terre (GFCI).** L'utilisation de ce type de disjoncteur réduit les risques de choc électrique.

3) Sécurité personnelle

- Être vigilant, surveiller le travail effectué et faire preuve de jugement lorsqu'un outil électrique est utilisé. Ne pas utiliser d'outil électrique en cas de fatigue ou sous l'influence de drogues, d'alcool ou de médicaments.** Un simple moment d'inattention en utilisant un outil électrique peut entraîner des blessures corporelles graves.
- Utiliser des équipements de protection individuelle. Toujours porter une protection oculaire.** L'utilisation d'équipements de protection comme un masque antipoussière, des chaussures antidérapantes, un casque de sécurité ou des protecteurs auditifs lorsque la situation le requiert réduira les risques de blessures corporelles.
- Empêcher les démarrages intempestifs. S'assurer que l'interrupteur se trouve à la position d'arrêt avant de relier l'outil à une source d'alimentation et/ou d'insérer un bloc-piles, de ramasser ou de transporter l'outil.** Transporter un outil électrique alors que le doigt repose sur l'interrupteur ou brancher un outil électrique dont l'interrupteur est à la position de marche risque de provoquer un accident.
- Retirer toute clé de réglage ou clé avant de démarrer l'outil.** Une clé ou une clé de réglage attachée à une partie pivotante de l'outil électrique peut provoquer des blessures corporelles.
- Ne pas trop tendre les bras. Conserver son équilibre en tout temps.** Cela permet de mieux maîtriser l'outil électrique dans les situations imprévues.
- S'habiller de manière appropriée. Ne pas porter de vêtements amples ni de bijoux. Garder les cheveux, les vêtements et les gants à l'écart des pièces mobiles.** Les vêtements amples, les bijoux ou les cheveux longs risquent de rester coincés dans les pièces mobiles.
- Si des composants sont fournis pour le raccordement de dispositifs de dépoussiérage et de ramassage, s'assurer que ceux-ci sont bien raccordés et utilisés.** L'utilisation d'un dispositif de dépoussiérage peut réduire les dangers engendrés par les poussières.

- h) **Ne pas laisser votre connaissance acquise suite l'utilisation fréquente des outils vous permettre de baisser la garde et ignorer les principes de sécurité de l'outil.** Un acte irréfléchi peut causer une blessure grave en une fraction de seconde.

4) Utilisation et entretien d'un outil électrique

- a) **Ne pas forcer un outil électrique. Utiliser l'outil électrique approprié à l'application.** L'outil électrique approprié effectuera un meilleur travail, de façon plus sûre et à la vitesse pour laquelle il a été conçu.
- b) **Ne pas utiliser un outil électrique dont l'interrupteur est défectueux.** Tout outil électrique dont l'interrupteur est défectueux est dangereux et doit être réparé.
- c) **Débranchez la fiche de la prise électrique et, si amovible, retirez le bloc-piles de l'outil avant d'effectuer tout ajustement, changement et entreposage de celui-ci.** Ces mesures préventives réduisent les risques de démarrage accidentel de l'outil électrique.
- d) **Ranger les outils électriques hors de la portée des enfants et ne permettre à aucune personne n'étant pas familière avec un outil électrique ou son mode d'emploi d'utiliser cet outil.** Les outils électriques deviennent dangereux entre les mains d'utilisateurs inexpérimentés.
- e) **Gardez les poignées et surfaces d'emprise propres et libres de tout produit lubrifiant. Vérifier si les pièces mobiles sont mal alignées ou coincées, si des pièces sont brisées ou présentent toute autre condition susceptible de nuire au bon fonctionnement de l'outil électrique. En cas de dommage, faire réparer l'outil électrique avant toute nouvelle utilisation.** Beaucoup d'accidents sont causés par des outils électriques mal entretenus.
- f) **S'assurer que les outils de coupe sont aiguisés et propres.** Les outils de coupe bien entretenus et affûtés sont moins susceptibles de se coincer et sont plus faciles à maîtriser.
- g) **Utiliser l'outil électrique, les accessoires, les forêts, etc. conformément aux présentes directives en tenant compte des conditions de travail et du travail à effectuer.** L'utilisation d'un outil électrique pour toute opération autre que celle pour laquelle il a été conçu est dangereuse.
- h) **Garder vos mains et les surfaces de prise sèches, propres et libres de graisse et de poussière.** Les mains et les surfaces de prise glissante ne permettent pas la manutention et le contrôle sécuritaires de l'outil dans les situations imprévues.

5) Réparation

- a) **Faire réparer l'outil électrique par un réparateur professionnel en n'utilisant que des pièces de**

rechange identiques. Cela permettra de maintenir une utilisation sécuritaire de l'outil électriques.

Règles de sécurité supplémentaires pour les outils oscillants

- **Tenir l'outil électrique par sa surface de prise isolée dans une situation où l'accessoire de coupe pourrait entrer en contact avec un câble électrique dissimulé ou avec son propre cordon d'alimentation.** Tout contact entre un fil « sous tension » et l'accessoire de coupe pourrait également mettre « sous tension » les pièces métalliques exposées de l'outil et électrocuter l'utilisateur.
- **Utiliser des pinces ou tout autre moyen pratique de soutenir et de fixer solidement la pièce sur une plateforme stable.** Tenir la pièce avec la main ou contre son corps n'est pas suffisamment stable et risque de provoquer une perte de maîtrise de l'outil.
- **Prendre des précautions à proximité des événements, car ils cachent des pièces mobiles.** Vêtements amples, bijoux ou cheveux longs risquent de rester coincés dans ces pièces mobiles.
- **Mettre l'outil hors tension avant de l'utiliser près de fils sous tension ou à un endroit pouvant comprendre des fils cachés.** Un accessoire de coupe qui entre en contact avec un fil sous tension peut causer la mise sous tension de pièces métalliques exposées de l'outil électrique et ainsi donner une décharge électrique à l'opérateur. Toujours vérifier la présence de fils cachés, de conduites de gaz ou d'autres services publics avant de procéder à la coupe de matériau ou à des opérations d'enlèvement avec l'outil.
- **Attendre que le couteau cesse de fonctionner avant de déposer l'outil.** Un couteau exposé peut pénétrer dans la surface et causer une perte de maîtrise de l'outil et des blessures graves.
- **Ne pas faire fonctionner cet outil durant de longues périodes.** Les vibrations causées par le fonctionnement de cet outil peuvent provoquer des blessures permanentes aux doigts, aux mains et aux bras. Utiliser des gants pour amortir davantage les vibrations, prendre de fréquentes périodes de repos et limiter la durée quotidienne d'utilisation.
- **Ne pas reprendre la coupe dans le trait de coupe de la pièce.** Attendre que l'outil soit à plein régime, puis le réinsérer soigneusement dans le trait de coupe.
- **Ne pas obstruer la lame de scie ou appliquer une pression excessive.** Ne pas tenter de faire une coupe dont la profondeur est excessive.
- **Tenir les mains éloignées de la zone de coupe.** Ne pas toucher la zone située sous le matériau se faisant couper.
- **Ne pas utiliser de lames émoussées ou endommagées.** Une lame pliée peut se briser facilement ou provoquer un effet de rebond. Faire preuve de grande prudence au moment de manipuler les accessoires. Les accessoires sont très coupants. Porter des gants

de protection au moment de changer des accessoires de coupe. Les accessoires deviennent chauds après un usage prolongé.

- **Avant de procéder au raclage, vérifier si la pièce présente des clous.** Le cas échéant, enlever les clous ou les enfoncer bien au-dessous de la surface finie prévue. Accrocher un clou avec le bord d'un accessoire risque de faire bondir l'outil.
- **Ne pas poncer à l'eau avec le présent outil.** La pénétration de liquides dans le carter du moteur constitue un risque de décharge électrique.
- **Ne jamais travailler dans une zone imbibée de liquide, comme du solvant ou de l'eau, ou encore humidifiée comme c'est le cas pour le papier peint nouvellement appliqué.** De telles conditions de travail avec un outil électrique peuvent causer un risque de décharge électrique, et le chauffage du liquide causé par le raclage peut entraîner l'émission de vapeurs nocives de la pièce à travailler.
- **Ne pas utiliser de papier abrasif prévu pour de plus grands patins de ponçage.** Un papier abrasif plus grand dépassera du patin de ponçage provoquant ainsi l'accrochage ou la déchirure du papier ou bien un effet de rebond. De plus, le papier dépassant le patin de ponçage risque de causer de graves lacérations.

Directives et consignes de sécurité : ponceuses

Ponçage des peintures à base de plomb

Le ponçage des peintures à base de plomb N'EST PAS RECOMMANDÉ, car il est difficile de se protéger contre les poussières contaminées. L'empoisonnement au plomb présente le plus grand danger pour les enfants et les femmes enceintes.

Comme il est difficile d'identifier si la peinture contient ou non du plomb sans effectuer une analyse chimique, nous vous recommandons de prendre les précautions suivantes lors du ponçage de toutes les peintures.

Protection de l'individu

- Aucun enfant ou femme enceinte ne devrait pénétrer sur les lieux de travail lors du ponçage et tant que ces lieux n'auront pas été nettoyés complètement.
- Toute personne entrant dans la zone de travail devrait porter un masque antipoussières ou un dispositif de protection des voies respiratoires. Le filtre doit en être remplacé quotidiennement ou chaque fois que l'utilisateur commence à avoir des difficultés à respirer.

REMARQUE : utiliser exclusivement une protection des voies respiratoires adéquate pour le travail sur les peintures au plomb produisant poussières ou émanations. Les masques ordinaires n'offrent pas ce niveau de protection. Se renseigner auprès de son quincaillier local pour obtenir une liste de masques antipoussières (agréés par NIOSH).

- **NE PAS MANGER, BOIRE OU FUMER** sur les lieux de travail pour prévenir l'ingestion de particules de peinture contaminées. Il est recommandé aux ouvriers de se laver et changer AVANT de manger, boire ou

fumer. Ne pas laisser sur les lieux de travail, là où la poussière pourrait s'y déposer, nourriture, boisson, cigarette ou autre produit de consommation.

Protection de l'environnement

- La peinture devrait être retirée de façon à minimiser la quantité de poussières générées.
- Les lieux où la peinture est retirée devraient être isolés avec des panneaux de plastique de 4 mils d'épaisseur.
- Le ponçage devrait être effectué de manière à réduire toute propagation des poussières de peinture hors des lieux de travail.

Nettoyage et élimination

- Passer quotidiennement l'aspirateur sur les lieux de travail et les nettoyer soigneusement pendant toute la durée du projet de ponçage. Changer fréquemment les filtres d'aspirateur.
- Recueillir toute toile de protection plastifiée utilisée et s'en défaire avec toute particule de poussière ou autre débris à éliminer. Les placer dans un contenant hermétique pour déchets et les jeter conformément à la procédure normale d'élimination des ordures. Pendant le nettoyage, maintenir à distance de la zone immédiate de travail les enfants ou les femmes enceintes.
- Nettoyer soigneusement jouets, meubles lavables, et tout ustensile utilisé par les enfants avant toute nouvelle réutilisation.

Consigne de sécurité supplémentaire



AVERTISSEMENT : porter **SYSTEMATIQUEMENT** des lunettes de protection. Les lunettes courantes NE sont PAS des lunettes de protection. Utiliser aussi un masque antipoussières si la découpe doit en produire beaucoup. **PORTER SYSTEMATIQUEMENT UN ÉQUIPEMENT DE SÉCURITÉ HOMOLOGUÉ** :

- Protection oculaire ANSI Z87.1 (CAN/CSA Z94.3) ;
- Protection auditive ANSI S12.6 (S3.19) ;
- Protection des voies respiratoires NIOSH/ OSHA/ MSHA.



AVERTISSEMENT : les scies, meules, ponceuses, perceuses ou autres outils de construction peuvent produire des poussières contenant des produits chimiques reconnus par l'État californien pour causer cancers, malformations congénitales ou être nocifs au système reproducteur. Parmi ces produits chimiques, on retrouve :

- Le plomb dans les peintures à base de plomb ;
- La silice cristallisée dans les briques et le ciment, ou autres produits de maçonnerie ; et
- L'arsenic et le chrome dans le bois ayant subi un traitement chimique.

Le risque associé à de telles expositions varie selon la fréquence à laquelle on effectue ces travaux.

Pour réduire toute exposition à ces produits : travailler dans un endroit bien aéré, en utilisant du matériel de sécurité homologué, tel un masque antipoussières spécialement conçu pour filtrer les particules microscopiques.

- **Limiter toute exposition prolongée avec les poussières provenant du ponçage, sciage, meulage, perçage ou toute autre activité de construction. Porter des vêtements de protection et nettoyer à l'eau savonneuse les parties du corps exposées.** Le fait de laisser la poussière pénétrer dans la bouche, les yeux ou la peau peut favoriser l'absorption de produits chimiques dangereux.

⚠ AVERTISSEMENT : cet outil peut produire et/ou répandre de la poussière susceptible de causer des dommages sérieux et permanents au système respiratoire. Utiliser systématiquement un appareil de protection des voies respiratoires homologué par le NIOSH ou l'OSHA. Diriger les particules dans le sens opposé au visage et au corps.

⚠ AVERTISSEMENT : pendant l'utilisation, porter systématiquement une protection auditive individuelle adéquate homologuée ANSI S12.6 (S3.19). Sous certaines conditions et suivant la durée d'utilisation, le bruit émanant de ce produit pourrait contribuer à une perte de l'acuité auditive.

- **Prendre des précautions à proximité des événements, car ils cachent des pièces mobiles.** Vêtements amples, bijoux ou cheveux longs risquent de rester coincés dans ces pièces mobiles.
- **Pour la sécurité de l'utilisateur, utiliser une rallonge de calibre adéquat (AWG, American Wire Gauge [calibrage américain normalisé des fils électriques]).** Plus le calibre est petit, et plus sa capacité est grande. Un calibre 16, par exemple, a une capacité supérieure à un calibre 18. L'usage d'une rallonge de calibre insuffisant causera une chute de tension qui entraînera perte de puissance et surchauffe. Si plus d'une rallonge est utilisée pour obtenir une certaine longueur, s'assurer que chaque rallonge présente au moins le calibre de fil minimum. Le tableau ci-dessous illustre les calibres à utiliser selon la longueur de rallonge et l'intensité nominale indiquée sur la plaque signalétique. En cas de doute, utiliser le calibre suivant. Plus le calibre est petit, plus la rallonge peut supporter de courant.

Calibre minimum pour les cordons d'alimentation

Volts		Longueur totale du cordon d'alimentation en mètre (pieds)			
120 V		7,6 (25)	15,2 (50)	30,5 (100)	45,7 (150)
240 V		15,2 (50)	30,5 (100)	61,0 (200)	91,4 (300)
Ampères		AWG			
Plus que	Pas plus que				
0	6	18	16	16	14
6	10	18	16	14	12
10	12	16	16	14	12
12	16	14	12	Non recommandé	

L'étiquette apposée sur votre outil peut inclure les symboles suivants. Les symboles et leur définition sont indiqués ci-après :

- V volts
- Hz hertz
- min minutes
-/min..... par minute
- — — or DC..... courant continu
- Ⓜ fabrication classe I (mis à la terre)

- BPM battements par minute
- IPM impacts par minute
- RPM révolutions par minute
- sfpm pieds linéaires par minute (plpm)
- SPM (FPM) fréquence par minute
- OPM..... oscillations par minute
- A ampères
- W watts
- ~ or AC..... courant alternatif
- ⎓ or AC/DC..... courant alternatif ou continu
- .. /min or ..min⁻¹. Révolutions ou courses aller-retour par minute
- 2 ~ tAlimentation à courant alternatif bifilaire
- 2N ~ Alimentation à courant alternatif bifilaire avec neutre
- 3 ~ Alimentation triphasée
- 3N ~ Alimentation triphasée avec neutre
- Ⓜ fabrication classe II (double isolation)
- n₀ vitesse à vide
- n vitesse nominale
- ⊕ borne de terre
- ⚠ symbole d'avertissement
- ☠ radiation visible
- ☎ protection respiratoire
- 👁 protection oculaire
- 👂 protection auditive
- 📖 lire toute la documentation
- ⏏ Courant nominal du fusible adéquat en ampères
- ⏏ Là où un X est placé comme caractéristique du courant vs temps, un fusible miniature différé selon la norme IEC 60127-3 est de mise.
- IPXX Symbole IP

CONSERVER CES CONSIGNES POUR UTILISATION ULTÉRIEURE

DESCRIPTION (FIG. A)

Moteur

S'assurer que le bloc d'alimentation est compatible avec l'inscription de la plaque signalétique. Une diminution de tension de plus de 10 % provoquera une perte de puissance et une surchauffe. Les outils sont testés en usine ; si cet outil ne fonctionne pas, vérifier l'alimentation électrique.

Usage Prévu

Cet outil oscillant à multiples usages est conçu pour le ponçage détaillé, la rectification en plongée, la coupe à égalité du rebord, le retrait de matériel excédentaire et la préparation professionnelle de surfaces.

NE PAS les utiliser en milieu ambiant humide ou en présence de liquides ou de gaz inflammables.

Cet outil oscillant à multiples usages est un outil motorisé professionnel.

NE PAS le laisser à la portée des enfants. Une supervision est nécessaire auprès de tout utilisateur non expérimenté.

ASSEMBLAGE ET AJUSTEMENTS

⚠ **AVERTISSEMENT :** pour réduire le risque de blessures graves, éteindre l'outil et retirer le débrancher avant d'effectuer tout réglage et d'enlever ou d'installer tout accessoire. Un démarrage accidentel peut provoquer des blessures.

⚠ **AVERTISSEMENT :** risque de lacérations ou de brûlures. Ne pas toucher à la pièce ou à la lame immédiatement après avoir utilisé l'outil. En effet, elles peuvent devenir très chaudes. À manipuler avec précaution. Toujours laisser refroidir les accessoires et la pièce avant de les manipuler.

Installation et dépose des accessoires (Fig. B–D)

Se caractérise par un système exclusif de changement d'accessoire sans outil. Cela permet de changer rapidement les accessoires sans avoir besoin de clé standard ou hexagonale comme c'est nécessaire pour d'autres systèmes d'outils oscillants.

1. Agrippez l'outil et pressez sur le levier de l'attache **4** pour accessoires.
2. Nettoyez tout débris résiduel de l'arbre de l'outil **7** et de la pince d'attache d'accessoires.
3. Relâchez le levier de l'attache d'accessoires.
4. Glisser l'accessoire entre l'arbre et le porte-accessoire en s'assurant que l'accessoire entre en prise avec les huit broches **8** du porte-accessoire et qu'il affleure l'arbre Figure B.
5. Si requis, certains accessoires tels grattoirs et lames peuvent être montés en angle comme montré dans les Figures C et D.

Fig. B

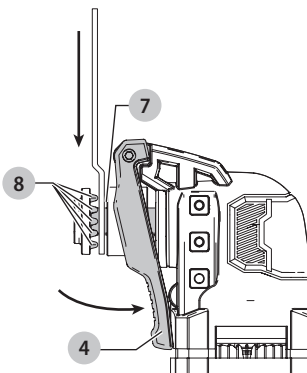


Fig. C

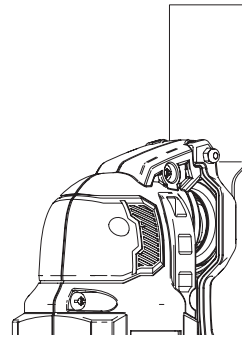
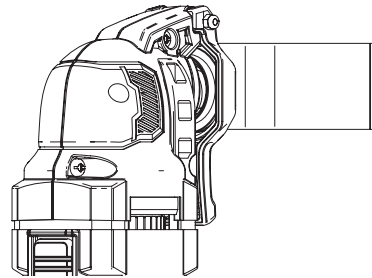


Fig. D



Installation et dépose de feuilles de papier abrasif (Fig. E)

Un porte-pièce en forme de losange emploie un système d'adhérence à crochet et à boucle pour fixer les feuilles de papier abrasif. Le porte-pièce autorise une utilisation tant sur de grandes surfaces plates que dans des espaces restreints ou dans des coins.

1. Fixez l'accessoire pour plateau de ponçage comme décrit à la section **Pose et dépose des accessoires**.
2. Aligner les bords de la feuille de papier abrasif sur le bord du porte-pièce de ponçage, puis presser la feuille sur le porte-pièce.
3. Appuyer fermement la base, la feuille de papier abrasif y étant fixée, contre une surface plate, puis mettre l'outil brièvement en marche. Cela assure une bonne adhérence entre le porte-pièce et la feuille de papier abrasif et cela évite aussi une usure prématurée.

REMARQUE : lorsque le bout de la feuille de papier abrasif devient usé, détacher la feuille du porte-pièce, effectuer une rotation de celle-ci et la reposer sur le porte-pièce.

Fig. E

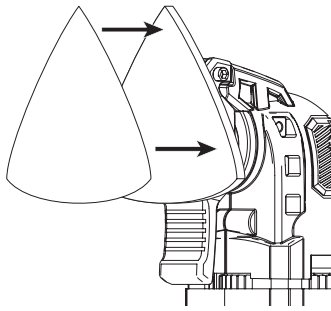
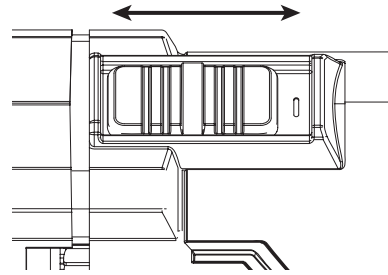


Fig. G



UTILISATION

⚠ AVERTISSEMENT : pour réduire le risque de blessures graves, éteindre l'outil et retirer le débrancher avant d'effectuer tout réglage et d'enlever ou d'installer tout accessoire. Un démarrage accidentel peut provoquer des blessures.

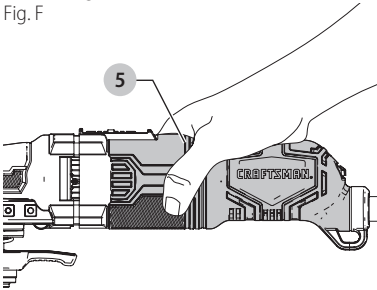
Proper Hand Position (Fig. F)

⚠ AVERTISSEMENT : pour réduire tout risque de dommages corporels graves, adopter **SYSTÉMATIQUEMENT** la position des mains illustrée.

⚠ AVERTISSEMENT : pour réduire tout risque de dommages corporels graves, maintenir **SYSTÉMATIQUEMENT** l'outil fermement pour anticiper toute réaction soudaine.

La position des mains adéquate nécessite une main sur la poignée d'emprise 5. Si une plus grande précision est requise, tenir soigneusement l'outil à deux mains.

Fig. F



Détente (Fig. G)

⚠ ATTENTION: du fait que l'outil comporte un cadran de vitesses distinct pour le réglage de la vitesse (10000 - 22000 OPM), l'outil démarrera à la vitesse correspondant au réglage du cadran de vitesses. S'assurer que l'interrupteur est bien réglé à ARRÊT avant de brancher le cordon d'alimentation.

1. Brancher le cordon d'alimentation.
2. Pour mettre l'outil sous tension, avancer l'interrupteur à glissière.
3. Pour mettre l'outil hors tension, reculer l'interrupteur à glissière.

Cadran de vitesses variables (Fig. H)

⚠ ATTENTION: du fait que l'outil comporte un cadran de vitesses distinct pour le réglage de la vitesse (10000 - 22000 OPM), l'outil démarrera à la vitesse correspondant au réglage du cadran de vitesses. S'assurer que l'interrupteur est bien réglé à ARRÊT avant de brancher le cordon d'alimentation.

Pour faire fonctionner l'outil, sélectionner le réglage souhaité avec le cadran de vitesses, illustré à la figure H, puis avancer l'interrupteur marche-arrêt en le glissant. Le réglage de vitesse peut être effectué que l'outil soit mis sous tension ou non.

Les positions numérotées (1 à 6), qui sont inscrites sur le cadran de vitesses variables 2, n'indiquent pas de vitesses précises, mais constituent de bons points de référence. Plus le numéro est élevé, plus la vitesse de l'outil le sera aussi.

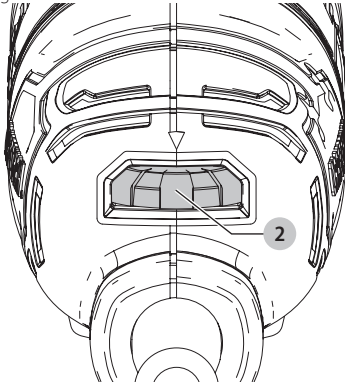
La vitesse approximative de chaque position est la suivante:

RÉGLAGE DE LA VITESSE	VITESSE APPROXIMATIVE
1	10000
2	12000
3	14000
4	16000
5	18000
6	22000

(Les oscillations par minute réelles de l'outil peuvent varier.)

S'assurer de sélectionner la bonne vitesse pour le fonctionnement de l'outil oscillant. En cas d'incertitude quant à la bonne vitesse de fonctionnement de l'outil, vérifier la performance à un réglage de vitesse bas, puis augmenter graduellement la vitesse jusqu'à ce qu'une vitesse suffisante soit atteinte.

Fig. H



Sciage en plongée

AVERTISSEMENT : tenir fermement la scie des deux mains pour toutes les opérations de coupe.

AVERTISSEMENT : inspecter la zone de travail à la recherche de câblage électrique et de canalisations de gaz ou d'eau cachés avant d'effectuer des coupes sans visibilité ou en plongée. Négliger de suivre ces directives risque de provoquer une décharge électrique, un incendie, une explosion ou des dommages matériels.

AVERTISSEMENT : TOUJOURS porter des lunettes de sécurité. Les lunettes de vue ne constituent PAS des lunettes de sécurité. Utiliser également un masque protecteur ou anti-poussières si l'opération de coupe génère de la poussière. TOUJOURS PORTER UN ÉQUIPEMENT DE PROTECTION HOMOLOGUÉ.

AVERTISSEMENT : RISQUE DE COUPURE. Avant de couper tout matériau, s'assurer que ce dernier est bien ancré ou serré dans un étau pour éviter tout glissement.

AVERTISSEMENT : RISQUE DE COUPURE. Laisser l'outil fonctionner à son propre rythme. Ne pas surcharger, sinon la lame peut se briser.

Pour effectuer une coupe

1. Marquer clairement la zone à découper voulue.
2. Allumer l'outil avant d'appliquer de la pression et engager lentement la lame dans la pièce à l'emplacement marqué.

AVERTISSEMENT : RISQUE DE COUPURE. S'assurer que la lame ne touche pas la surface à couper avant le démarrage de l'outil.

3. Faites avancer ou plongez la lame le long de la ligne de coupe jusqu'au sectionnement complet. Ne pas forcer l'outil; laisser la lame couper à sa propre vitesse.
4. Éteindre l'outil.

REMARQUE : toujours utiliser le bon type de lame de scie pour le matériau à couper et le type de coupe à effectuer. Effectuer une coupe uniquement au moyen de lames affûtées. La coupe est plus nette, plus rapide et l'effort subi par le moteur est moindre durant la coupe.

Ponçage

AVERTISSEMENT : risque d'incendie. Pour le travail effectué sur des surfaces métalliques, ne pas utiliser un aspirateur parce que des étincelles peuvent se produire. Porter des lunettes de sécurité et un masque anti-poussières. En raison du risque d'incendie, ne pas utiliser la ponceuse pour poncer des surfaces de magnésium. Ne pas utiliser pour ponçage à l'eau.

REMARQUE : ne pas poser les doigts sur la porte-pièce en cours d'utilisation. Imprimer un large mouvement de balayage de part en part de la surface, en laissant l'outil faire son travail. Seule une légère pression est nécessaire au ponçage. Une pression excessive ralentira l'outil et produira des résultats inférieurs. Vérifier souvent le ponçage. En effet, le produit enlève rapidement la matière. Une force excessive réduira l'efficacité de fonctionnement et entraînera une surcharge du moteur. Un remplacement régulier de la feuille de papier abrasif maintiendra une efficacité de travail optimale.

Astuces utiles

- Toujours s'assurer que la pièce est bien tenue ou serrée pour éviter son déplacement. Tout déplacement de la pièce peut compromettre la qualité de coupe ou le fini de ponçage.
- Ne pas commencer le ponçage si le papier abrasif n'est pas fixé au porte-pièce de ponçage.
- Utiliser du papier à grains grossiers pour poncer les surfaces rugueuses, du papier à grains moyens pour les surfaces lisses et du papier à grains fins pour la finition. Si nécessaire, effectuer d'abord un essai sur une pièce de chute.
- Une force excessive réduira l'efficacité de fonctionnement et entraînera une surcharge du moteur. Un remplacement régulier de l'accessoire maintiendra une efficacité de travail optimale.
- Ne pas laisser le papier abrasif s'user complètement, car il endommagera le patin de ponçage.
- Si l'outil surchauffe, surtout lorsqu'il est utilisé à basse vitesse, régler la vitesse à la position maximale et le faire fonctionner sans charge durant 2 à 3 minutes pour refroidir le moteur. Éviter une utilisation prolongée à très basse vitesse. Toujours maintenir la lame affûtée.

MAINTENANCE

AVERTISSEMENT : pour réduire le risque de blessures graves, éteindre l'outil et retirer le débrancher avant d'effectuer tout réglage et d'enlever ou d'installer tout accessoire. Un démarrage accidentel peut provoquer des blessures.

Accessoires

⚠ AVERTISSEMENT : *puisque les accessoires autres que ceux offerts par DeWALT Universal Fitment™ n'ont pas été testés avec ce produit, leur utilisation pourrait s'avérer dangereuse. Pour réduire le risque de blessures, utiliser exclusivement les accessoires CRAFTSMAN recommandés avec le présent produit.*

Les accessoires recommandés pour cet outil sont vendus séparément au centre de service de votre région. Pour obtenir de l'aide concernant l'achat d'un accessoire, communiquer avec CRAFTSMAN., composer le **1-888-331-4569**.

Versatrack™ (Fig. 1)

⚠ AVERTISSEMENT : *afin de réduire le risque de blessure corporelle, éteignez l'appareil et ,débranchez-le la source d'alimentation avant d'effectuer tout ajustement ou de retirer/ installer des pièces ou des accessoires. Un déclenchement accidentel du démarrage peut causer des blessures.*

⚠ AVERTISSEMENT : *afin de réduire le risque de blessures graves, ne pas utiliser un crochet de suspension Versatrack ou rail mural Versatrack endommagé. Un crochet de suspension Versatrack™ ou un rail Versatrack endommagé™ ne supportera pas le poids de l'outil.*

⚠ AVERTISSEMENT : *afin de réduire le risque de blessures graves, NE PAS suspendre l'outil au-dessus du niveau de la tête ou suspendre d'autres objets à partir du crochet de suspension. Suspendez SEULEMENT l'outil sur le rail mural Versatrack™. Tà l'aide du crochet de suspension Versatrack™.*

⚠ AVERTISSEMENT : *assurez-vous que le poids de l'outil ne dépasse pas le poids nominal maximum pour le crochet Versatrack™ sélectionné.*

⚠ AVERTISSEMENT : *lorsque vous suspendrez des objets sur le mur Versatrack™ rail , distacez adéquatement les outils de sorte à ne pas excéder 35 kg (75 lb) par pied linéaire.*

IMPORTANT : Les outils et accessoires compatibles Versatrack™ se fixent de façon sécuritaire au système Versatrack™ Trackwall.

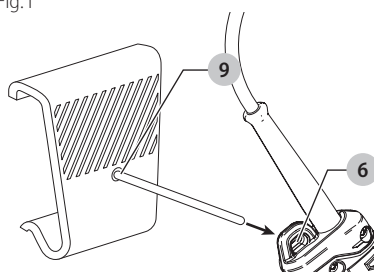
1. Éteignez l'outil, retirez les accessoires, débranchez-le de l'alimentation.

⚠ ATTENTION : *tout produit avec dents coupantes exposées doit être couvert de façon sécuritaire s'il doit être mis sur le Versatrack™ Trackwall.*

2. Montez le crochet à goupille 9 sur au système Versatrack™ Trackwall.
3. Glissez le crochet à goupille dans la boucle 6 sur l'outil.

REMARQUE : les accessoires Versatrack™ pour utilisation avec cet outil sont disponibles à un coût supplémentaire chez votre détaillant local ou dans un centre de services autorisé. Si vous avez besoin d'aide pour trouver un accessoire, veuillez contacter CRAFTSMAN, appelez au **1-888-331-4569**.

Fig. 1



Réparations

⚠ AVERTISSEMENT : *pour assurer la SÉCURITÉ et la FIABILITÉ du produit, les réparations, l'entretien et les réglages doivent être réalisés (cela comprend l'inspection et le remplacement du balai, le cas échéant) par un centre de réparation en usine CRAFTSMAN ou un centre de réparation agréé CRAFTSMAN. Toujours utiliser des pièces de rechange identiques.*

Nettoyage

⚠ AVERTISSEMENT : *enlever les saletés et la poussière hors des événements au moyen d'air comprimé propre et sec, au moins une fois par semaine. Pour minimiser le risque de blessure aux yeux, toujours porter une protection oculaire conforme à la norme ANSI Z87.1 lors du nettoyage.*

⚠ AVERTISSEMENT : *ne jamais utiliser de solvants ni d'autres produits chimiques puissants pour nettoyer les pièces non métalliques de l'outil. Ces produits chimiques peuvent affaiblir les matériaux de plastique utilisés dans ces pièces. Utiliser un chiffon humecté uniquement d'eau et de savon doux. Ne jamais laisser de liquide pénétrer dans l'outil et n'immerger aucune partie de l'outil dans un liquide.*

Registre en ligne

Merci pour votre achat. Enregistrez dès maintenant votre produit:

- **RÉPARATIONS SOUS GARANTIE:** cette carte remplie vous permettra de vous prévaloir du service de réparations sous garantie de façon plus efficace dans le cas d'un problème avec le produit.
- **CONFIRMATION DE PROPRIÉTÉ:** en cas de perte provoquée par un incendie, une inondation ou un vol, cette preuve de propriété vous servira de preuve auprès de votre compagnie d'assurances.
- **SÉCURITÉ:** l'enregistrement de votre produit nous permettra de communiquer avec vous dans l'éventualité peu probable de l'envoi d'un avis de sécurité régi par la loi fédérale américaine de la protection des consommateurs.

Registre en ligne à **www.craftsman.com/registration**

Garantie limitée de trois ans

CRAFTSMAN réparera ou remplacera sans frais tout appareil défectueux pour cause de défaut de matériau ou de main-d'œuvre sur une période d'un an à partir de la date d'achat de l'outil. Cette garantie ne couvre pas les pièces en panne pour cause d'abus ou d'usure normale de l'outil. Pour plus de détails au sujet de la couverture de la garantie et l'information de réparation sous garantie, visitez www.craftsman.com ou composez le **1-888-331-4569**. Cette garantie ne s'applique pas aux accessoires ou dommages causés par des réparations effectuées ou tentées par d'autres. **CETTE GARANTIE REMPLACE TOUTES LES AUTRES, INCLUANT LES GARANTIES IMPLICITES DE LA QUALITÉ MARCHANDE ET L'APTITUDE POUR UN BUT PARTICULIER, ET EXCLUT TOUS LES DOMMAGES ACCIDENTELS OU CONSÉCUTIFS.** Certaines provinces ne permettent pas de limitation sur la durée de la garantie implicite ou l'exclusion ou la limitation de dommages indirects, alors ces limitations peuvent ne pas s'appliquer à vous. Cette garantie vous donne des droits légaux particuliers et vous pouvez avoir d'autres droits qui varient selon les états ou les provinces.,

GARANTIE DE REMBOURSEMENT DE 90 JOURS

Si l'acheteur n'est pas entièrement satisfait, pour quelque raison que ce soit, du rendement de l'outil électrique ou de la cloueuse CRAFTSMAN, celui-ci peut le retourner, accompagné d'un reçu, dans les 90 jours à compter de la date d'achat pour obtenir un remboursement intégral, sans aucun problème.

AMÉRIQUE LATINE : cette garantie ne s'applique aux produits vendus en Amérique latine. Pour ceux-ci, veuillez consulter les informations relatives à la garantie spécifique présente dans l'emballage, appeler l'entreprise locale ou consulter le site Web pour les informations relatives à cette garantie.

REPLACEMENT GRATUIT DES ÉTIQUETTES

D'AVERTISSEMENT : si les étiquettes d'avertissement deviennent illisibles ou sont manquantes, composer le **1-888-331-4569** pour en obtenir le remplacement gratuit.

GUIDE DE DÉPANNAGE

ASSUREZ-VOUS DE SUIVRE LES DIRECTIVES ET RÈGLES DE SÉCURITÉ

Pour de l'aide avec l'outil, consulter notre site Web www.craftsman.com pour l'emplacement du centre de réparation le plus près ou communiquer avec l'assistance CRAFTSMAN au 1-888-331-4569.

PROBLÈME	CAUSE POSSIBLE	SOLUTION POSSIBLE
L'appareil refuse de démarrer	Cordon d'alimentation non branché.	Brancher l'outil dans une prise qui fonctionne.
	Le fusible du circuit est grillé.	Remplacer le fusible du circuit. (Si l'outil cause le déclenchement du disjoncteur d'alimentation de façon répétée, cesser son utilisation sur le champ et le faire réparer à un centre de service autorisé.)
	Le disjoncteur est déclenché	Remettre le disjoncteur à zéro. (Si l'outil cause le déclenchement du disjoncteur d'alimentation de façon répétée, cesser son utilisation sur le champ et le faire réparer à un centre de service autorisé.)
	Le cordon d'alimentation ou la prise de courant est endommagé(e).	Toujours faire remplacer le cordon ou le commutateur à un centre de service autorisé.

Definiciones: Símbolos y palabras de alerta de seguridad

Este manual de instrucciones utiliza los siguientes símbolos y palabras de alerta de seguridad para alertarle de situaciones peligrosas y del riesgo de lesiones corporales o daños materiales.



PELIGRO: Indica una situación de peligro inminente que, si no se evita, provocará **la muerte o lesiones graves**.



ADVERTENCIA: Indica una situación de peligro potencial que, si no se evita, **podría** provocar **la muerte o lesiones graves**.



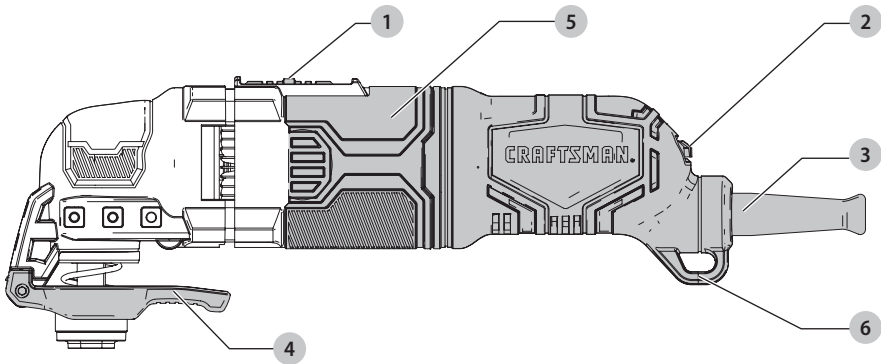
ATENCIÓN: Indica una situación de peligro potencial que, si no se evita, **posiblemente** provocaría **lesiones leves o moderadas**.



(Utilizado sin palabras) indica un mensaje de seguridad relacionado.

AVISO: Se refiere a una práctica **no relacionada a lesiones corporales** que de no evitarse **puede** resultar en **daños a la propiedad**.

Fig. A



COMPONENTES

- 1 Interruptor de encendido/apagado
- 2 Dial de velocidad variable
- 3 Cable de 2 m (6,5 pies)
- 4 Abrazadera para accesorios sin herramientas
- 5 Perilla de ajuste de profundidad/corte*
- 6 Versatrack aro



ADVERTENCIA: Lea todas las advertencias de seguridad e instrucciones. El incumplimiento de las advertencias e instrucciones puede provocar descargas eléctricas, incendios o lesiones graves.



ADVERTENCIA: Nunca modifique la herramienta eléctrica, ni tampoco ninguna de sus piezas. Podría producir lesiones corporales o daños.



ADVERTENCIA: Para reducir el riesgo de lesiones, lea el manual de instrucciones.

Si tiene alguna duda o algún comentario sobre ésta u otra herramienta CRAFTSMAN, llámenos al número gratuito: 1-888-331-4569.

Multiherramienta oscilante de 3,0 Amperios CMEW400

ADVERTENCIAS GENERALES DE SEGURIDAD PARA HERRAMIENTAS ELÉCTRICAS



ADVERTENCIA: Lea todas las advertencias de seguridad, instrucciones, ilustraciones y especificaciones incluidas con esta herramienta eléctrica. La falla en seguir todas las instrucciones siguientes puede resultar en descarga eléctrica, incendio y/o lesiones serias.

CONSERVE TODAS LAS ADVERTENCIAS E INSTRUCCIONES PARA FUTURAS CONSULTAS

El término "herramienta eléctrica" incluido en las advertencias hace referencia a las herramientas eléctricas operadas con corriente (con cable eléctrico) o a las herramientas eléctricas operadas con baterías (inalámbricas).

1) Seguridad en el Área de Trabajo

- Mantenga el área de trabajo limpia y bien iluminada.** Las áreas abarrotadas y oscuras propician accidentes.
- No opere las herramientas eléctricas en atmósferas explosivas, como ambientes donde haya polvo, gases o líquidos inflamables.** Las herramientas eléctricas originan chispas que pueden encender el polvo o los vapores.
- Mantenga alejados a los niños y a los espectadores de la herramienta eléctrica en funcionamiento.** Las distracciones pueden provocar la pérdida de control.

2) Seguridad Eléctrica

- Los enchufes de la herramienta eléctrica deben adaptarse al tomacorriente. Nunca modifique el enchufe de ninguna manera. No utilice ningún enchufe adaptador con herramientas eléctricas con conexión a tierra.** Los enchufes no modificados y que se adaptan a los tomacorrientes reducirán el riesgo de descarga eléctrica.
- Evite el contacto corporal con superficies con descargas a tierra como, por ejemplo, tuberías, radiadores, cocinas eléctricas y refrigeradores.** Existe mayor riesgo de descarga eléctrica si su cuerpo está puesto a tierra.
- No exponga las herramientas eléctricas a la lluvia o a condiciones de humedad.** Si entra agua a una herramienta eléctrica, aumentará el riesgo de descarga eléctrica.
- No maltrate el cable. Nunca utilice el cable para transportar, tirar o desenchufar la herramienta eléctrica. Mantenga el cable alejado del calor, el aceite, los bordes filosos y las piezas móviles.** Los cables dañados o enredados aumentan el riesgo de descarga eléctrica.

- Al operar una herramienta eléctrica en el exterior, utilice un cable prolongador adecuado para tal uso.** Utilice un cable adecuado para uso en exteriores a fin de reducir el riesgo de descarga eléctrica.
- Si el uso de una herramienta eléctrica en un lugar húmedo es imposible de evitar, utilice un suministro protegido con un interruptor de circuito por falla a tierra (GFCI).** El uso de un GFCI reduce el riesgo de descargas eléctricas.

3) Seguridad Personal

- Permanezca alerta, controle lo que está haciendo y utilice el sentido común cuando emplee una herramienta eléctrica. No utilice una herramienta eléctrica si está cansado o bajo el efecto de drogas, alcohol o medicamentos.** Un momento de descuido mientras se opera una herramienta eléctrica puede provocar lesiones personales graves.
- Utilice equipos de protección personal. Siempre utilice protección para los ojos.** En las condiciones adecuadas, el uso de equipos de protección, como máscaras para polvo, calzado de seguridad antideslizante, cascos o protección auditiva, reducirá las lesiones personales.
- Evite el encendido por accidente. Asegúrese de que el interruptor esté en la posición de apagado antes de conectarlo a la fuente de energía o paquete de baterías, o antes de levantar o transportar la herramienta.** Transportar herramientas eléctricas con el dedo apoyado en el interruptor o enchufar herramientas eléctricas con el interruptor en la posición de encendido puede propiciar accidentes.
- Retire la clavija de ajuste o la llave de tuercas antes de encender la herramienta eléctrica.** Una llave de tuercas o una clavija de ajuste que quede conectada a una pieza giratoria de la herramienta eléctrica puede provocar lesiones personales.
- No se estire. Conserve el equilibrio y párese adecuadamente en todo momento.** Esto permite un mejor control de la herramienta eléctrica en situaciones inesperadas.
- Use la vestimenta adecuada. No use ropas holgadas ni joyas. Mantenga el cabello, la ropa y los guantes alejados de las piezas en movimiento.** Las ropas holgadas, las joyas o el cabello largo pueden quedar atrapados en las piezas en movimiento.
- Si se suministran dispositivos para la conexión de accesorios con fines de recolección y extracción de polvo, asegúrese de que estén conectados y que se utilicen correctamente.** El

uso de dispositivos de recolección de polvo puede reducir los peligros relacionados con el polvo.

- h) **No permita que la familiaridad obtenida a partir del uso frecuente de herramientas le permitan volverse descuidado e ignorar los principios de seguridad de la herramienta.** Una acción descuidada puede causar lesiones severas en una fracción de segundo.

4) Uso y Mantenimiento de la Herramienta Eléctrica

- a) **No fuerce la herramienta eléctrica. Utilice la herramienta eléctrica correcta para el trabajo que realizará.** Si se la utiliza a la velocidad para la que fue diseñada, la herramienta eléctrica correcta permite trabajar mejor y de manera más segura.
- b) **No utilice la herramienta eléctrica si no puede encenderla o apagarla con el interruptor.** Toda herramienta eléctrica que no pueda ser controlada mediante el interruptor es peligrosa y debe repararse.
- c) **Desconecte el enchufe de la fuente de alimentación y/o retire la batería, o paquete si es desmontable, de la herramienta eléctrica antes de realizar cualquier ajuste, cambiar accesorios o almacenar herramientas eléctricas.** Estas medidas de seguridad preventivas reducen el riesgo de encender la herramienta eléctrica en forma accidental.
- d) **Guarde la herramienta eléctrica que no esté en uso fuera del alcance de los niños y no permita que otras personas no familiarizadas con ella o con estas instrucciones operen la herramienta.** Las herramientas eléctricas son peligrosas si son operadas por usuarios no capacitados.
- e) **Dé mantenimiento a las herramientas eléctricas y accesorios. Revise que no haya piezas en movimiento mal alineadas o trabadas, piezas rotas o cualquier otra situación que pueda afectar el funcionamiento de la herramienta eléctrica. Si encuentra daños, haga reparar la herramienta eléctrica antes de utilizarla.** Se producen muchos accidentes a causa de las herramientas eléctricas que carecen de un mantenimiento adecuado.
- f) **Mantenga las herramientas de corte afiladas y limpias.** Las herramientas de corte con mantenimiento adecuado y con los bordes de corte afilados son menos propensas a trabarse y son más fáciles de controlar.
- g) **Utilice la herramienta eléctrica, los accesorios y las brocas de la herramienta, etc. de acuerdo con estas instrucciones y teniendo en cuenta las condiciones de trabajo y el trabajo que debe realizarse.** El uso de la herramienta eléctrica para operaciones diferentes de aquéllas para las que fue diseñada podría originar una situación peligrosa.
- h) **Mantenga las manijas y superficies de sujeción secas, limpias y libres de aceite y grasa.**

Las manijas y superficies de sujeción resbalosas no permiten el manejo y control seguros de la herramienta en situaciones inesperadas.

5) Mantenimiento

- a) **Solicite a una persona calificada en reparaciones que realice el mantenimiento de su herramienta eléctrica y que sólo utilice piezas de repuesto idénticas.** Esto garantizará la seguridad de la herramienta eléctrica.

Reglas de Seguridad Adicionales para Herramientas Oscilatorias

- **Al realizar una operación en la que el accesorio de corte pueda tocar cables eléctricos ocultos o su propio cable, sostenga la herramienta eléctrica por las superficies de agarre aisladas.** El contacto del accesorio de corte con un cable con corriente eléctrica puede provocar que las partes metálicas expuestas de la herramienta eléctrica también conduzcan la corriente y que el operador sufra una descarga eléctrica.
- **Utilice abrazaderas u otra forma práctica para asegurar y sostener la pieza de trabajo en una plataforma estable.** Sostener la pieza de trabajo con la mano o contra su cuerpo provoca inestabilidad y puede llevar a la pérdida del control.
- **Los orificios de ventilación suelen cubrir piezas en movimiento, por lo que también se deben evitar.** Las piezas en movimiento pueden atrapar prendas de vestir sueltas, joyas o el cabello largo.
- **Desconecte la alimentación antes de utilizar la herramienta cerca de cables con corriente eléctrica o en lugares donde pueda haber cables eléctricos ocultos.** El contacto del accesorio de corte con un cable con corriente eléctrica puede provocar que las partes metálicas expuestas de la herramienta eléctrica también conduzcan la corriente y que el operador sufra una descarga eléctrica. Siempre verifique si hay cables eléctricos ocultos, tuberías de gas u otros servicios públicos antes de efectuar operaciones de corte o eliminación con la herramienta.
- **Espere hasta que la cuchilla se detenga antes de depositar la herramienta sobre una superficie.** Una cuchilla expuesta puede entrar en contacto con la superficie y llevar a una posible pérdida de control y lesiones graves.
- **No opere esta herramienta durante períodos prolongados.** La vibración que produce el funcionamiento de esta herramienta puede provocar lesiones permanentes en dedos, manos y brazos. Utilice guantes para brindar amortiguación adicional, tome descansos frecuentes y limite el tiempo diario de uso.
- **No reinicie la operación de corte en la pieza de trabajo.** Espere hasta que la herramienta alcance la velocidad máxima y vuelva a introducirla cuidadosamente en el corte.
- **No "atasque" la rueda de corte o aplique una presión excesiva.** No intente hacer una profundidad de corte excesiva.

- **Mantenga las manos lejos del área de corte.** No introduzca ninguna parte del cuerpo debajo del material que está cortando.
- **No utilice hojas sin filo o dañadas.** Una hoja doblada puede romperse fácilmente o provocar un retroceso. Sea extremadamente cuidadoso cuando manipule los accesorios. Los accesorios son muy filosos. Use guantes de protección cuando cambie accesorios de corte. Los accesorios pueden calentarse después de un uso prolongado.
- **Antes de raspar, revise si hay clavos en la pieza de trabajo.** Si hay clavos, extraígalos o asíntelos muy por debajo de la superficie acabada planificada. Si se golpea un clavo con el borde del accesorio, puede causar que la herramienta salte.
- **No lije en húmedo con esta herramienta.** La entrada de líquidos en la caja del motor representa un peligro de descarga eléctrica.
- **Nunca trabaje en un área empapada con un líquido, como un solvente o agua, ni humedecida como un empapelado recién aplicado.** Existe el peligro de una descarga eléctrica cuando se trabaja en dichas condiciones con una herramienta eléctrica y el calentamiento del líquido causado por la acción de raspado puede hacer que la pieza de trabajo emita vapores perjudiciales.
- **No utilice papel de lija diseñado para almohadillas de lijado más grandes.** El papel de lija más grande puede sobresalir de la almohadilla de lijado y provocar atascamiento, rotura del papel o retroceso. Si sobresale papel adicional de la almohadilla de lijado, también puede causar laceraciones graves.

Reglas de Seguridad Adicionales para Lijadoras de Órbita Aleatoria

Lijado de Pintura a Base de Plomo

NO SE RECOMIENDA lijar pinturas a base de plomo debido a la dificultad de controlar el polvo contaminado. La intoxicación por plomo es más peligrosa para niños y mujeres embarazadas.

Ya que es difícil identificar si una pintura contiene plomo o no, sin antes hacer un análisis químico, recomendamos que se tomen las siguientes precauciones al lijar cualquier pintura:

Seguridad Personal

- Ningún niño o mujer embarazada debería entrar al área de trabajo donde se esté lijando pintura hasta que se haya terminado de limpiar el área.
- Todas las personas que entren en el área de trabajo deben usar una mascarilla antipolvo o un respirador. El filtro debería ser reemplazado a diario o cuando el usuario tenga dificultades para respirar.

NOTA: Sólo se deberían utilizar aquellas mascarillas antipolvo adecuadas para trabajar con polvo y gases de pinturas con plomo. Las mascarillas regulares para pintar no ofrecen esta protección. Visite su distribuidor de ferretería

local para obtener la mascarilla adecuada (aprobada por el NIOSH).

- No se debe COMER, BEBER ni FUMAR en el área de trabajo para evitar ingerir partículas de pintura contaminada. Los trabajadores se deben lavar y limpiar ANTES de comer, beber o fumar. No deben dejarse artículos de comida, bebida o tabaco en el área de trabajo donde se podría depositar polvo sobre ellos.

Seguridad Ambiental

- La pintura debe ser retirada de manera que se reduzca al mínimo la cantidad de polvo generado.
- Las áreas donde se realiza remoción de pintura deben estar selladas con láminas de plástico de 4 mm de grosor.
- El lijado debería hacerse de modo que se reduzcan los vestigios de polvo de pintura fuera del área de trabajo.

Limpieza Y Eliminación de Residuos

- Todas las superficies del área de trabajo deben ser limpiadas en profundidad y repasadas con aspiradora todos los días mientras dure el proyecto de lijado. Las bolsas de filtro de la aspiradora deben cambiarse con frecuencia.
- Las láminas de protección de plástico deben recogerse y eliminarse junto con el polvo y cualquier otro residuo. Deberán colocarse en un recipiente para desechos sellado y eliminarse de acuerdo con los procedimientos normales de eliminación de la basura. Durante la limpieza, se impedirá a niños y mujeres embarazadas el acceso al área de trabajo.
- Todos los juguetes, muebles lavables y utensilios usados por niños deberán lavarse a fondo antes de volverlos a usar.

Instrucción Adicional de Seguridad



ADVERTENCIA: Use **SIEMPRE** lentes de seguridad.

Los anteojos de diario **NO SON** lentes de seguridad.

Utilice además una cubrebocas o mascarilla antipolvo si la operación de corte genera demasiado polvo.

SIEMPRE LLEVE EQUIPO DE SEGURIDAD CERTIFICADO:

- protección ocular ANSI Z87.1 (CAN/CSA Z94.3),
- protección auditiva ANSI S12.6 (S3.19),
- protección respiratoria NIOSH/OSHA/MSHA.



ADVERTENCIA: Algunas partículas de polvo generadas al lijar, serrar, esmerilar y taladrar con herramientas eléctricas, así como al realizar otras actividades de construcción, contienen químicos que el Estado de California sabe que pueden producir cáncer, defectos congénitos u otras afecciones reproductivas. Ejemplos de estos químicos son:

- plomo de algunas pinturas en base a plomo,
- polvo de sílice proveniente de ladrillos y cemento y otros productos de albañilería, y
- arsénico y cromo provenientes de madera tratada químicamente.

Su riesgo de exposición a estos químicos varía, dependiendo de la frecuencia con la cual realiza

usted este tipo de trabajo. Para reducir su exposición a estas sustancias químicas: trabaje en una zona bien ventilada y llevando equipos de seguridad aprobados, como mascarillas antipolvo especialmente diseñadas para filtrar partículas microscópicas.

- **Evite el contacto prolongado con polvo generado por el lijado, aserrado, pulido, taladrado y otras actividades de construcción. Vista ropas protectoras y lave las áreas de la piel expuestas con agua y jabón.** Si permite que el polvo se introduzca en la boca u ojos o quede sobre la piel, puede favorecer la absorción de productos químicos peligrosos.

⚠ ADVERTENCIA: La utilización de esta herramienta puede generar polvo o dispersarlo, lo que podría causar daños graves y permanentes al sistema respiratorio, así como otras lesiones. Siempre use protección respiratoria aprobada por NIOSH (Institución Nacional de Seguridad y Salud en el Trabajo) u OSHA (Administración de Seguridad y Salud en el Trabajo) apropiada para la exposición al polvo. Dirija las partículas en dirección contraria a la cara y el cuerpo.

⚠ ADVERTENCIA: Siempre lleve la debida protección auditiva personal en conformidad con ANSI S12.6 (S3.19) durante el uso de esta herramienta. Bajo algunas condiciones y duraciones de uso, el ruido producido por este producto puede contribuir a la pérdida auditiva.

- **Los hilos del alargador deben ser de un calibre apropiado (AWG o American Wire Gauge) para su seguridad.** Mientras menor sea el calibre del hilo, mayor la capacidad del cable. Es decir, un hilo calibre 16 tiene mayor capacidad que uno de 18. Un cable de un calibre insuficiente causará una caída en la tensión de la línea dando por resultado una pérdida de energía y sobrecalentamiento. Cuando se utilice más de un alargador para completar el largo total, asegúrese que los hilos de cada alargador tengan el calibre mínimo. La tabla siguiente muestra el tamaño correcto a utilizar, dependiendo de la longitud del cable y del amperaje nominal de la placa de identificación. Si tiene dudas sobre cuál calibre usar, use un calibre mayor. Cuanto menor sea el número del calibre, más resistente será el cable.

Calibre mínimo de conjuntos de cables

Voltios	Longitud total del cable en pies (metros)				
	25 (7,6)	50 (15,2)	100 (30,5)	150 (45,7)	200 (61,0)
120 V	25 (7,6)	50 (15,2)	100 (30,5)	150 (45,7)	200 (61,0)
240 V	50 (15,2)	100 (30,5)	200 (61,0)	300 (91,4)	
Amperaje nominal	AWG				
Más de	Más de				
0	6	18	16	16	14
6	10	18	16	14	12
10	12	16	16	14	12
12	16	14	12	No recomendado	

La etiqueta de su herramienta puede incluir los siguientes símbolos. A continuación se indican los símbolos y sus definiciones:

V voltios Hz hertz

- min minutos
- — — or DC..... direct current
- Ⓜ Construcción de Clase I (tierra)
- ... /min..... por minuto
- BPM golpes por minuto
- IPM impactos por minuto
- RPM revoluciones por minuto
- sfpm pies de superficie por minuto
- SPM pasadas por minuto
- OPM..... oscilaciones por minuto
- A amperios
- W vatios
- ~ or AC corriente alterna
- ⎓ or AC/DC..... corriente alterna o directa
- 2 ~ corriente alterna bifásica
- 2N ~ corriente alterna bifásica con neutro
- 3 ~ corriente alterna trifásica
- 3N ~ corriente alterna trifásica con neutro
- ⎓ corriente nominal de enlace de fusible apropiado en amperes
- ☐ Construcción de Clase II (doble aislamiento)
- n₀ velocidad sin carga
- n velocidad nominal
- Ⓧ terminal de conexión a tierra
- ⚠ símbolo de advertencia de seguridad
- ☠ radiación visible
- Ⓜ protección respiratoria
- 👁 protección ocular
- 👂 protección auditiva
- 📖 lea toda la documentación.../min or ...min⁻¹ Revoluciones o movimientos alternativos por minuto
- ⏱ enlace de fusible miniatura de registro de tiempo donde X es el símbolo para la característica de tiempo/corriente, como se da en IEC 60127-3
- IPXX Símbolo IP

GUARDE ESTAS INSTRUCCIONES PARA VOLVER A CONSULTAR EN EL FUTURO COMPONENTES (FIG. A)

Motor

Asegúrese de que la fuente de energía concuerde con lo que se indica en la placa. Un descenso en el voltaje de más del 10% producirá una pérdida de potencia y sobrecalentamiento. Todas las herramientas son probadas en fábrica; si esta herramienta no funciona, verifique el suministro eléctrico.

Uso Debido

Esta multi-herramienta oscilatoria está diseñada para aplicaciones profesionales de lijado de detalle, corte en caída, corte al ras, eliminación de materiales en exceso y preparación de superficie.

NO utilice la herramienta en condiciones de humedad o en presencia de líquidos o gases inflamables.

Esta multi-herramienta oscilatoria es una herramienta eléctrica profesional.

NO permita que los niños toquen la herramienta. Si el operador no tiene experiencia operando esta herramienta, su uso deberá ser supervisado.

MONTAJE Y AJUSTES



ADVERTENCIA: Para reducir el riesgo de lesiones personales graves, apague la herramienta y desconéctela de la fuente de alimentación antes de realizar ajustes o de retirar/instalar dispositivos o accesorios. Un arranque accidental podría causar lesiones.



ADVERTENCIA: Riesgo de laceraciones o quemaduras. No toque la pieza de trabajo ni la hoja inmediatamente después de operar la herramienta. Pueden estar muy calientes. Manéjelas con cuidado. Siempre espere a que los accesorios y la pieza de trabajo se enfríen antes de manipularlos.

Instalación/Extracción de Accesorios (Fig. B–D)

La herramienta cuenta con un exclusivo sistema de cambio de accesorios sin herramientas. Esto permite cambios de accesorios más rápidos sin la necesidad de llaves mecánicas o hexagonales a diferencia de otros sistemas de herramientas oscilantes.

1. Sujete la herramienta y apriete la palanca de la abrazadera de accesorios de liberación de la herramienta **4**.
2. Limpie cualquier desecho residual del eje de la herramienta **7** y el soporte de la abrazadera del accesorio de liberación de la herramienta.
3. Libere la palanca de abrazadera de accesorio de liberación de la herramienta.
4. Deslice el accesorio entre el eje y el sujetador de accesorios asegurándose de que el accesorio se acople con las ocho clavijas del sujetador **8** y esté al ras con el eje Figura B.
5. Algunos accesorios, tales como los raspadores y cuchillas se pueden montar en ángulo si se requiere como se muestra en las Figuras C y D.

Fig. B

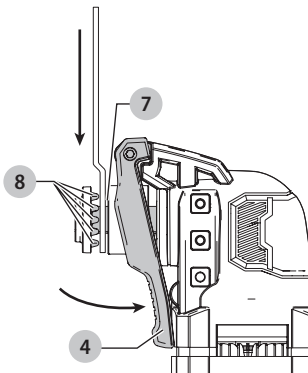


Fig. C

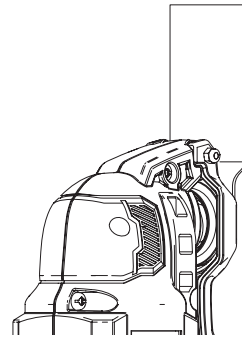
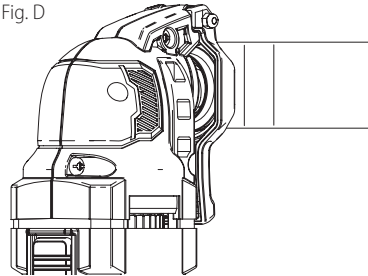


Fig. D



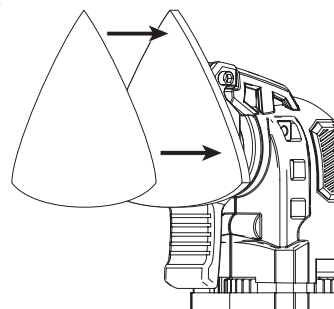
Instalación/Extracción de las Hojas de Lijado (Fig. E)

Una platina con forma de diamante utiliza un sistema de adherencia tipo velcro para instalar las hojas de lijado. La platina le permite un uso sobre grandes superficies planas y zonas estrechas o esquinas.

1. Sujete el accesorio de la placa de lijado como se describe en **Instalación/Desinstalación de Accesorios**.
2. Alinee los bordes de la hoja de lija con el borde de la platina de lijado y oprima la hoja de lija sobre la platina como se muestra en la Figura E.
3. Oprima firmemente la base con la hoja de lija instalada contra una superficie plana y encienda la herramienta momentáneamente. Esto proporciona una buena adherencia entre la platina y la hoja de lija, y también contribuye a evitar el desgaste prematuro.

NOTA: Cuando la punta de la hoja de lija se desgaste, despréndala de la platina, gírela y vuelva a colocarla.

Fig. E



OPERACIÓN

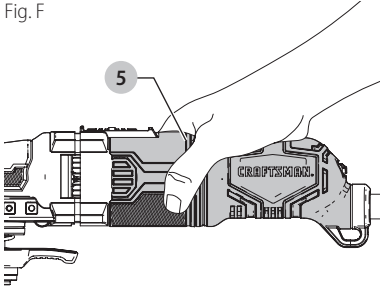
⚠️ ADVERTENCIA: Para reducir el riesgo de lesiones personales graves, apague la herramienta y desconéctela de la fuente de alimentación antes de realizar ajustes o de retirar/instalar dispositivos o accesorios. Un arranque accidental podría causar lesiones.

Posición Adecuada de las Manos (Fig. F)

⚠️ ADVERTENCIA: Para reducir el riesgo de lesión personal grave, tenga **SIEMPRE** las manos en una posición adecuada como se muestra.

⚠️ ADVERTENCIA: Para reducir el riesgo de lesión personal grave, sujete **SIEMPRE** bien en caso de que haya una reacción repentina.

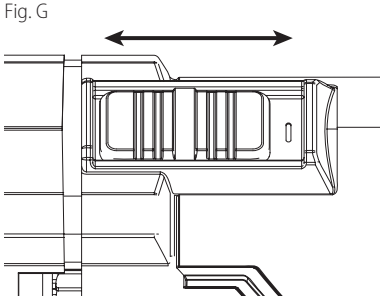
La posición de mano adecuada requiere una mano en la manija 5. Si se necesita precisión adicional, sostenga la herramienta cuidadosamente con ambas manos.



Interruptor (Fig. G)

⚠️ ATENCIÓN: Debido a que la herramienta posee un dial de velocidad separado para ajustar la velocidad (10000 a 22000 OPM), la herramienta se pondrá en marcha a la velocidad en la que está ajustado el dial de velocidad. Asegúrese de que el interruptor esté completamente apagado antes de enchufar el cable de alimentación.

1. Enchufe el cable de alimentación.
2. Para encender la herramienta empuje el interruptor deslizante hacia adelante.
3. Para apagar la herramienta, empuje el interruptor deslizante hacia atrás.



Dial de Velocidad Variable (Fig. H)

⚠️ PRECAUCIÓN: Debido a que la herramienta posee un dial de velocidad separado para ajustar la velocidad (10000 a 22000 OPM), la herramienta se pondrá en marcha a la velocidad en la que está ajustado el dial de velocidad. Asegúrese de que el interruptor esté completamente apagado antes de enchufar el cable de alimentación.

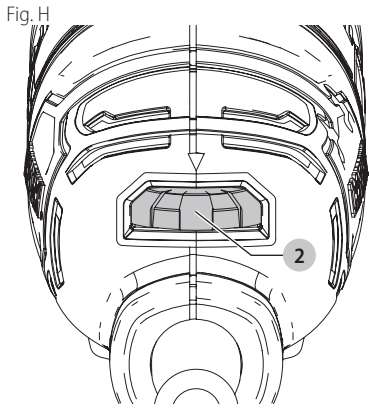
Para operar la herramienta, seleccione el ajuste de velocidad que desea con el dial de velocidad, como se muestra en la Figure H, y deslice el interruptor de encendido/apagado hacia adelante. El ajuste de velocidad se puede regular con la herramienta encendida o apagada.

Las posiciones con la inscripción de los números del 1 al 6 sobre el dial de velocidad variable no indican ninguna velocidad determinada sino que representan buenos puntos de referencia. Mientras más alto es el número, mayor es la velocidad de la herramienta.

La velocidad aproximada de cada ajuste es:

AJUSTE DE VELOCIDAD	VELOCIDAD APROXIMADA (OPM)
1	10000
2	12000
3	14000
4	16000
5	18000
6	22000

(Las OPM reales de la herramienta pueden variar). Asegúrese de seleccionar la velocidad adecuada para su operación con la herramienta oscilante. Si tiene dudas acerca de la velocidad adecuada para su operación, pruebe el rendimiento con ajustes de baja velocidad e increméntelos gradualmente hasta alcanzar una velocidad que le resulte cómoda.



Cortes Penetrantes



ADVERTENCIA: *Sostenga la sierra firmemente con ambas manos para todas las operaciones de corte.*



ADVERTENCIA: *Inspeccione el área de trabajo en busca de cableado eléctrico y tubos de gas o agua que se encuentren ocultos antes de realizar cortes a ciegas o penetrantes. No hacerlo puede tener como consecuencia una descarga eléctrica, incendio, explosión o daños a la propiedad.*



ADVERTENCIA: *SIEMPRE utilice anteojos de seguridad. Los anteojos de uso diario NO son anteojos de seguridad. Utilice también caretas o máscaras contra el polvo si la operación de corte produce polvo. SIEMPRE USE EQUIPO DE SEGURIDAD CERTIFICADO.*



ADVERTENCIA: *PELIGRO DE CORTE. Antes de cortar cualquier tipo de material, asegúrese de que esté firmemente sujeto o fijo para evitar el deslizamiento.*



ADVERTENCIA: *PELIGRO DE CORTE. Permita que la herramienta trabaje a su propio ritmo. No la sobrecargue o de lo contrario puede romperse la hoja.*

Para Efectuar un Corte

1. Marque claramente el área de corte que desea.
2. Encienda la herramienta antes de aplicar presión y avance lentamente con la hoja en la pieza de trabajo en la ubicación marcada como se muestra en la figura 13.



ADVERTENCIA: *PELIGRO DE CORTE. Antes de encender la sierra, asegúrese de que la hoja no esté en contacto con la superficie de corte.*

3. Avance la cuchilla a lo largo de la línea de corte o insértela más hacia abajo en la línea hasta que se complete el corte. No fuerce la herramienta; deje que la hoja realice el corte a su propia velocidad.
4. Apague la herramienta.

NOTA: Siempre utilice el tipo adecuado de hoja para sierra para el material de la pieza de trabajo y el tipo de corte. Corte solamente con hojas afiladas; estas realizan cortes más limpios, más rápidos y requieren menos esfuerzo del motor durante el corte

Lijado



ADVERTENCIA: *Peligro de incendio. Al trabajar sobre superficies metálicas, no utilice una aspiradora porque se producen chispas. Utilice anteojos de seguridad y una máscara contra el polvo. Debido al peligro de incendio, no utilice la lijadora para lijar superficies de magnesio. No utilice la herramienta para lijar superficies húmedas.*

NOTA: No apoye sus dedos sobre la platina durante el uso. Mueva la lijadora en recorridos amplios y extensos por toda la superficie, permitiendo que esta haga el trabajo. Todo lo que se requiere para el lijado es una leve presión.

Consejos Útiles

- Siempre asegúrese de que la pieza de trabajo esté firmemente sostenida o sujeta para evitar movimientos.

Cualquier movimiento del material puede afectar la calidad del acabado del corte o lijado.

- No comience a lijar sin tener el papel de lija instalado en la platina de lijado.
- Utilice papel de grano grueso para lijar superficies ásperas, grano medio para superficies suaves y grano fino para las superficies de acabado. Si es necesario, realice primero una aplicación de prueba sobre material desechable.
- El uso de fuerza excesiva reducirá la eficacia de trabajo y provocará que el motor se sobrecargue. El reemplazo periódico de los accesorios mantendrá una óptima eficacia de trabajo.
- No permita que el papel de lija se desgaste por completo, ya que esto dañará la almohadilla de lijado.
- Si la herramienta se sobrecalienta, especialmente cuando se utiliza a baja velocidad, ajuste la velocidad al máximo y hágala funcionar sin carga durante 2 a 3 minutos para enfriar el motor. Evite el uso prolongado a velocidades muy bajas. Siempre mantenga la hoja afilada.

MANTENIMIENTO



ADVERTENCIA: *Para reducir el riesgo de lesiones personales graves, apague la herramienta y desconéctela de la fuente de alimentación antes de realizar ajustes o de retirar/installar dispositivos o accesorios. Un arranque accidental podría causar lesiones.*

Accesorios



ADVERTENCIA: *Debido a que no se han probado con este producto otros accesorios que no sean los que ofrece con DeWALT Universal Fitment™, el uso de dichos accesorios con esta herramienta podría ser peligroso. Para reducir el riesgo de lesiones, con este producto deben usarse sólo los accesorios recomendados por CRAFTSMAN.*

Los accesorios que se recomiendan para utilizar con la herramienta están disponibles a un costo adicional en su distribuidor local o en un centro de mantenimiento autorizado. Si necesita ayuda para localizar algún accesorio, póngase en contacto con Craftsman Tool Co., 701 East Joppa Road, Towson, MD 21286, llame al **1-888-331-4569** o visite nuestro sitio web: www.craftsman.com/registration.

Versatrack™ (Fig. 1)



ADVERTENCIA: *Para reducir el riesgo de lesiones personales, apague la unidad y desconéctela de la fuente de energía antes de realizar cualquier ajuste o retirar/installar conexiones o accesorios. Una activación de arranque accidental puede causar lesiones.*



ADVERTENCIA: *Para reducir el riesgo de lesiones personales graves, no use un gancho para colgar Versatrack o Trackwall de Versatrack™ dañados. Un gancho para colgar Versatrack™ o Trackwall de Versatrack™ dañados no soportarán el peso de la herramienta.*

ESPAÑOL

⚠️ ADVERTENCIA: Para reducir el riesgo de lesiones personales graves, NO suspenda la herramienta por encima ni cuelgue objetos del gancho. SÓLO suspenda la herramienta en el Trackwall de Versatrack™ con el gancho para colgar Versatrack™.

⚠️ ADVERTENCIA: Asegúrese que el peso de la herramienta no exceda el peso máximo nominal para el gancho Versatrack™ seleccionado.

⚠️ ADVERTENCIA: Cuando cuelgue objetos en la pared Versatrack™, espacie adecuadamente las herramientas para no exceder 35 kg (75 lbs) por pie lineal.

IMPORTANTE: Los accesorios Versatrack™ montan herramientas compatibles con seguridad al sistema Trackwall de Versatrack™.

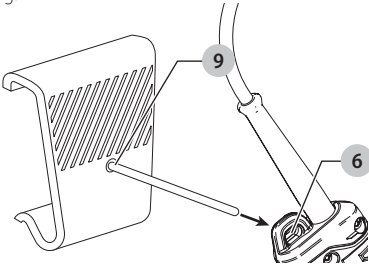
1. Apague la herramienta, retire los accesorios y desconéctelo de la fuente de alimentación.

⚠️ ATENCIÓN: Cualquier producto con dientes de corte expuestos debe tenerlos cubiertos de forma segura si va a estar en el Trackwall.

2. Monta el gancho de clavija 9 a el Trackwall de Versatrack™
3. Deslice el gancho de clavija a través del aro 6 en herramienta.

NOTA: Los accesorios Versatrack™ para uso con su herramienta están disponibles por un costo adicional a partir de su distribuidor local o centro de servicio autorizado. Si necesita ayuda para encontrar cualquier accesorio, comuníquese con CRAFTSMAN, llame al **1-888-331-4569**.

Fig. 1



Limpieza

⚠️ ADVERTENCIA: Sople la suciedad y el polvo de todos los conductos de ventilación con aire seco, al menos una vez por semana. Para reducir el riesgo de lesiones, utilice siempre protección para los ojos aprobada ANSI Z87.1 al realizar esta tarea.

⚠️ ADVERTENCIA: Nunca utilice solventes ni otros químicos abrasivos para limpiar las piezas no metálicas de la herramienta. Estos productos químicos pueden debilitar los materiales plásticos utilizados en estas piezas. Utilice un paño humedecido sólo con agua y jabón neutro. Nunca permita que penetre líquido dentro de la herramienta ni sumerja ninguna de las piezas en un líquido.

Reparaciones cargador y las unidades de batería no pueden ser reparados. El cargador y la unidad de batería no contienen piezas reparables.

⚠️ ADVERTENCIA: Para asegurar la SEGURIDAD y la CONFIABILIDAD del producto, las reparaciones, el mantenimiento y los ajustes (inclusive la inspección y el cambio de las escobillas, cuando proceda) deben ser realizados en un centro de mantenimiento en la fábrica CRAFTSMAN u en un centro de mantenimiento autorizado CRAFTSMAN. Utilice siempre piezas de repuesto idénticas.

Para reparación y servicio de sus herramientas eléctricas, favor de dirigirse al Centro de Servicio más cercano

CULIACAN, SIN

Bld. Emiliano Zapata 5400-1 Poniente Col. (667) 717 89 99
San Rafael

GUADALAJARA, JAL

Av. La Paz #1779 - Col. Americana Sector (33) 3825 6978
Juárez

MEXICO, D.F.

Eje Central Lázaro Cárdenas No. 18 - Local (55) 5588 9377
D, Col. Obrera

MERIDA, YUC

Calle 63 #459-A - Col. Centro (999) 928 5038

MONTERREY, N.L.

Av. Francisco I. Madero 831 Poniente - Col. (818) 375 23 13
Centro

PUEBLA, PUE

17 Norte #205 - Col. Centro (222) 246 3714

QUERETARO, QRO

Av. San Roque 274 - Col. San Gregorio (442) 2 17 63 14

SAN LUIS POTOSI, SLP

Av. Universidad 1525 - Col. San Luis (444) 814 2383

TORREON, COAH

Bld. Independencia, 96 Pte. - Col. Centro (871) 716 5265

VERACRUZ, VER

Prolongación Díaz Mirón #4280 - Col. (229) 921 7016
Remes

VILLAHERMOSA, TAB

Constitución 516-A - Col. Centro (993) 312 5111

PARA OTRAS LOCALIDADES:

Si se encuentra en México, por favor llame al (55) 5326 7100

Si se encuentra en U.S., por favor llame al 1-888-331-4569

Póliza de Garantía

IDENTIFICACIÓN DEL PRODUCTO:

Sello o firma del Distribuidor.

Nombre del producto: _____

Mod./Cat.: _____

Marca: _____

Núm. de serie: _____

(Datos para ser llenados por el distribuidor)

Fecha de compra y/o entrega del producto:

Nombre y domicilio del distribuidor donde se adquirió el producto:

Este producto está garantizado por un año a partir de la fecha de entrega, contra cualquier defecto en su funcionamiento, así como en materiales y mano de obra empleados para su fabricación. Nuestra garantía incluye la reparación o reposición del producto y/o componentes sin cargo alguno para el cliente, incluyendo mano de obra, así como los gastos de transportación razonablemente erogados derivados del cumplimiento de este certificado.

Para hacer efectiva esta garantía deberá presentar su herramienta y esta póliza sellada por el establecimiento comercial donde se adquirió el producto, de no contar con ésta, bastará la factura de compra.

Excepciones

Esta garantía no será válida en los siguientes casos:

- Cuando el producto se hubiese utilizado en condiciones distintas a las normales;
- Cuando el producto no hubiese sido operado de acuerdo con el instructivo de uso que se acompaña;
- Cuando el producto hubiese sido alterado o reparado por personas distintas a las enlistadas al final de este certificado.

Anexo encontrará una relación de sucursales de servicio de fábrica, centros de servicio autorizados y franquiciados en la República Mexicana, donde podrá hacer efectiva su garantía y adquirir partes, refacciones y accesorios originales.

Solamente para propósito de México:

Importado por: Craftsman. Tool Co. S.A. de C.V.
 Avenida Antonio Dovali Jaime, # 70 Torre B Piso 9
 Colonia La Fe, Santa Fé
 Código Postal : 01210
 Delegación Alvaro Obregón
 México D.F.
 Tel. (52) 555-326-7100
 R.F.C.: BDE810626-1W7

Registro en línea

Gracias por su compra. Registre su producto ahora para:

- **SERVICIO EN GARANTÍA:** Si completa esta tarjeta, podrá obtener un servicio en garantía más eficiente, en caso de que exista un problema con su producto.
- **CONFIRMACIÓN DE PROPIEDAD:** En caso de una pérdida que cubra el seguro, como un incendio, una inundación o un robo, el registro de propiedad servirá como comprobante de compra.
- **PARA SU SEGURIDAD:** Si registra el producto, podremos comunicarnos con usted en el caso improbable que se deba enviar una notificación de seguridad conforme a la Federal Consumer Safety Act (Ley Federal de Seguridad de Productos para el Consumidor).

Registro en línea en www.craftsman.com/registration.

Garantía limitada por tres años

CRAFTSMAN reparará o reemplazará, sin cargo, cualquier defecto debido a materiales o mano de obra defectuosos por un año desde la fecha de compra. Esta garantía no cubre falla de partes debido al desgaste normal o abuso de la herramienta. Para detalles adicionales de la cobertura de la garantía e información de reparación de garantía, visite www.craftsman.com o llame al **1-888-331-4569**.

Esta garantía no se aplica a accesorios o daño causado cuando otros hayan realizado o intentado reparaciones. ESTA GARANTÍA LIMITADA SE OTORGA EN LUGAR DE TODAS LAS DEMÁS, INCLUIDA LA GARANTÍA IMPLÍCITA DE COMERCIABILIDAD E IDONEIDAD PARA UN PROPÓSITO EN PARTICULAR, Y EXCLUYE TODOS LOS DAÑOS INCIDENTALES O EN CONSECUENCIA. Algunos estados no permiten limitaciones sobre la duración de una garantía implícita o la exclusión o limitación de daños incidentales o en consecuencia, por lo que estas limitaciones pueden no aplicarse en su caso. Esta garantía le da derechos legales específicos y puede tener otros derechos que varían en ciertos estados o provincias.

GARANTÍA DE REEMBOLSO DE SU DINERO POR 90 DÍAS

Si no está completamente satisfecho con el desempeño de su máquina herramienta o clavadora CRAFTSMAN, cualquiera sea el motivo, podrá devolverlo hasta 90 días de la fecha de compra con su recibo y obtener el reembolso completo de su dinero – sin necesidad de responder a ninguna pregunta.

AMÉRICA LATINA: Esta garantía no se aplica a los productos que se venden en América Latina. Para los productos que se venden en América Latina, debe consultar la información de la garantía específica del país que viene en el empaque, llamar a la compañía local o visitar el sitio Web a fin de obtener esa información.

REEMPLAZO GRATUITO DE LAS ETIQUETAS DE

ADVERTENCIAS: Si sus etiquetas de advertencia se vuelven ilegibles o faltan, llame al **1-888-331-4569** para que se le reemplacen gratuitamente.

GUÍA DE SOLUCIÓN DE PROBLEMAS

ASEGÚRESE DE SEGUIR LAS REGLAS E INSTRUCCIONES DE SEGURIDAD

Para conocer la ubicación del centro de mantenimiento más cercano a fin de recibir ayuda con su producto, visite nuestro sitio Web www.craftsman.com o llame a la línea de ayuda CRAFTSMAN al 1-888-331-4569.

PROBLEMA	CAUSA POSIBLE	SOLUCIÓN POSIBLE
La unidad no enciende.	Cable desenchufado.	Enchufe el cargador en un tomacorriente que funcione.
	Fusible quemado.	Reemplace el fusible quemado. (Si el producto causa repetidamente que se funda el fusible de circuito, descontinúe el uso de inmediato, y pida que le den servicio en un centro de servicio autorizado.)
	El interruptor automático está activado.	Reinicie el interruptor automático. (Si el producto causa repetidamente que se funda el fusible de circuito, descontinúe el uso de inmediato, y pida que le den servicio en un centro de servicio autorizado.)
	Interruptor o cable dañado.	Pida que un centro de servicio autorizado reemplace el cable o interruptor.







CRAFTSMAN, 701 East Joppa Road, Towson, MD 21286
Copyright © 2018