

CRAFTSMAN®

INSTRUCTION MANUAL | GUIDE D'UTILISATION | MANUAL DE INSTRUCCIONES

Edger
Coupe-bordure
Bordeadora

CMEED400



IF YOU HAVE QUESTIONS OR COMMENTS, CONTACT US.
POUR TOUTE QUESTION OU TOUT COMMENTAIRE, NOUS CONTACTER.
SI TIENE DUDAS O COMENTARIOS, CONTÁCTENOS.

1-888-331-4569 WWW.CRAFTSMAN.COM

English (***original instructions***)

1

Français (*traduction de la notice d'instructions originale*)

10

Español (*traducido de las instrucciones originales*)

20

Definitions: Safety Alert Symbols and Words

This instruction manual uses the following safety alert symbols and words to alert you to hazardous situations and your risk of personal injury or property damage.

⚠ DANGER: Indicates an imminently hazardous situation which, if not avoided, **will** result in **death or serious injury**.

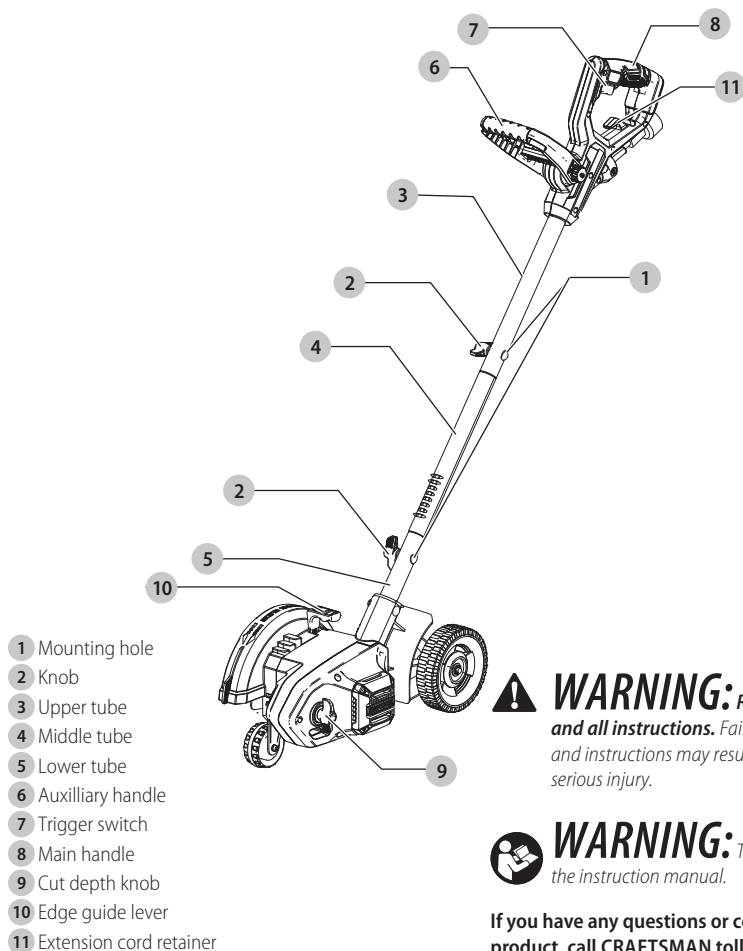
⚠ WARNING: Indicates a potentially hazardous situation which, if not avoided, **could** result in **death or serious injury**.

⚠ CAUTION: Indicates a potentially hazardous situation which, if not avoided, **may** result in **minor or moderate injury**.

⚠ (Used without word) Indicates a safety related message.

⚠ NOTICE: Indicates a practice **not related to personal injury** which, if not avoided, **may** result in **property damage**.

Fig. A



⚠ WARNING: Read all safety warnings and all instructions. Failure to follow the warnings and instructions may result in electric shock, fire and/or serious injury.

⚠ WARNING: To reduce the risk of injury, read the instruction manual.

If you have any questions or comments about this or any product, call CRAFTSMAN toll free at: 1-888-331-4569.

Edger CMEED400

IMPORTANT SAFETY INSTRUCTIONS

⚠ WARNING: To reduce risk of injury:

- Before any use, be sure everyone using this unit reads and understands all safety instructions and other information contained in this manual.
- Save these instructions and review frequently.

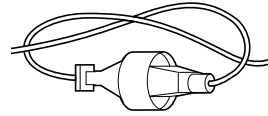
⚠ WARNING: When using electric gardening appliances, basic safety precautions should always be followed to reduce risk of fire, electric shock, and personal injury, including the following.

1. **Avoid Dangerous Environment** – Don't use appliances in damp or wet locations.
2. **Don't Use In Rain.**
3. **Keep Children Away** – All visitors should be kept at a distance from work area.
4. **Dress Properly** – Do not wear loose clothing or jewelry. They can be caught in moving parts. Use of rubber gloves and substantial footwear is recommended when working outdoors. Wear protective hair covering to contain long hair.
5. **Use Safety Glasses** – Always use face or dust mask if operation is dusty.
6. **Use Right Appliance** – Do not use appliance for any job except that for which it is intended.
7. **Ground Fault Circuit Interrupter (GFCI) protection should be provided on the circuit(s) or outlet(s) to be used for the gardening appliance.** Receptacles are available having built-in GFCI protection and may be used for this measure of safety.
8. **Warning** – To reduce the risk of electric shock, use only with an extension cord intended for outdoor use, such as an extension cord of cord type SW-A, SOW-A, STW-A, STOW-A, SJW-A, SJOW-A, SJTW-A or SJTOW-A.
9. **Extension Cord** – Make sure your extension cord is in good condition. When using an extension cord, be sure to use one heavy enough to carry the current your product will draw. An undersized extension cord will cause a drop in line voltage resulting in loss of power and overheating. Minimum Gauge for Cord Sets shows the correct size to use depending on cord length and nameplate ampere rating. If in doubt, use the next heavier gauge. The smaller the gauge number, the heavier the cord. To reduce the risk of disconnection of appliance cord from the extension cord during operating:
 - i) Make a knot as shown in Figure B; or
 - ii) Use one of the plug-receptacle retaining straps or connectors described in this manual.

OR
10. **Avoid Unintentional Starting** – Don't carry plugged-in appliance with finger on switch. Be sure switch is off when plugging in.
11. **Don't Abuse Cord** – Never carry appliance by cord or yank it to disconnect from receptacle. Keep cord from heat, oil, and sharp edges.
12. **Don't grasp the exposed cutting blades or cutting edges when picking up or holding the appliance.**
13. **Don't Force Appliance** – It will do the job better and with less likelihood of a risk of injury at the rate for which it was designed.
14. **Don't Overreach** – Keep proper footing and balance at all times.
15. **Stay Alert** – Watch what you are doing. Use common sense. Do not operate appliance when you are tired.
16. **Disconnect Appliance** – Disconnect the appliance from the power supply when not in use, before servicing, when changing accessories such as blades, and the like.
17. **Store Idle Appliances Indoors** – When not in use, appliances should be stored indoors in dry, and high or locked-up place – out of reach of children.
18. **Maintain Appliance With Care** – Keep cutting edge sharp and clean for best performance and to reduce the risk of injury. Follow instructions for lubricating and changing accessories. Inspect appliance power source periodically, and if damaged, have it repaired by an authorized service facility. Inspect extension cords periodically and replace if damaged. Keep handles dry, clean, and free from oil and grease.
19. **Check Damaged Parts** – Before further use of the appliance, a guard or other part that is damaged should be carefully checked to determine that it will operate properly and perform its intended function. Check for alignment of moving parts, binding of moving parts, breakage of parts, mounting, and any other condition that may affect its operation. A guard or other part that is damaged should be properly repaired or replaced by an authorized service center unless indicated elsewhere in this manual.

iii) Secure the extension cord to the appliance plug as shown or described in **Assembly and Adjustments**.

Fig. B



SAVE THESE INSTRUCTIONS

Additional Safety Warnings

⚠ WARNING: *To reduce the risk of rebound (ricochet) injury, work going away from any nearby solid object such as wall, steps, large stone, tree, etc. Use great care when working close to solid objects or into the wind, and, where necessary, do edging or trimming by hand.*

- **GUARD** – Do not use this appliance without guard attached.
- **BLADE** – Keep blade area clean.
- **KEEP FACE, HANDS AND FEET CLEAR OF CUTTING AREA AT ALL TIMES.**
- **KEEP ALL BYSTANDERS AWAY** – at a safe distance from work area, especially children. **MAKE SURE** that other persons and pets are at least 100' (30 m) away.
- **BEFORE LANDSCAPING OR TRENCHING**, check for buried electrical cables.
- **USE GREAT CARE** when working close to solid objects and where necessary, do trimming by hand.
- **DAMAGE TO UNIT** – If you strike or become entangled with a foreign object, stop appliance immediately, disconnect cord, check for damage and have any damage repaired before further operation is attempted.
- **DO NOT OPERATE** portable electric appliances in gaseous or explosive atmospheres. Motors in these appliances normally spark, and the sparks might ignite fumes.
- **STAY ALERT** – Do not operate this unit when you are tired, ill, or under the influence of alcohol, drugs, or medication.
- **DO NOT** immerse appliance in water or squirt it with a hose.
- **DO NOT** allow any liquid to get inside it. If appliance does get wet, allow to dry for a minimum of 48 hours.
- **DO NOT** clean with a pressure washer.
- **DO NOT** store the appliance on or adjacent to fertilizers or chemicals.
- **DO NOT** charge appliance in rain, or in wet locations.
- **DO NOT OVERREACH.** Keep proper footing and balance at all times.
- **REPLACEMENT PARTS:** When servicing, use only identical replacement parts.

Important Safety Instructions:

Polarized Plugs

To reduce the risk of electric shock, this equipment has a polarized plug (one blade is wider than the other). This equipment must be used with a suitable polarized 2 wire or 3 wire extension cord. Polarized connections will fit together only one way. Make sure that the receptacle end of the extension cord has large and small blade slot widths. If the plug does not fit fully into the extension cord, reverse the plug. If it still does not fit, obtain a suitable extension cord. If the extension cord does not fit fully into the outlet, contact a qualified electrician to install the proper outlet. Do not modify the appliance plug or extension cord in any way.

Additional Safety Information

⚠ WARNING: *Never modify the power tool or any part of it. Damage or personal injury could result.*

⚠ WARNING: **ALWAYS** use safety glasses. Everyday eyeglasses are NOT safety glasses. Also use face or dust mask if operation is dusty. **ALWAYS WEAR CERTIFIED SAFETY EQUIPMENT:**

- ANSI Z87.1 eye protection (CAN/CSA Z94.3),
- ANSI S12.6 (S3.19) hearing protection,
- NIOSH/OSHA/MSHA respiratory protection.

⚠ WARNING: *Some dust contains chemicals known to State of California to cause cancer, birth defects or other reproductive harm. Some examples of these chemicals are:*

- compounds in fertilizers,
- compounds in insecticides, herbicides and pesticides,
- arsenic and chromium from chemically treated lumber.

To reduce your exposure to these chemicals, wear approved safety equipment such as dust masks that are specially designed to filter out microscopic particles.

⚠ WARNING: *Use of this tool can generate and/or disperse dust, which may cause serious and permanent respiratory or other injury. Always use NIOSH/OSHA approved respiratory protection appropriate for the dust exposure. Direct particles away from face and body.*

⚠ WARNING: *Always wear proper personal hearing protection that conforms to ANSI S12.6 (S3.19) during use. Under some conditions and duration of use, noise from this product may contribute to hearing loss.*

- **Air vents often cover moving parts and should be avoided.** Loose clothes, jewelry or long hair can be caught in moving parts.
- **An extension cord must have adequate wire size (AWG or American Wire Gauge) for safety.** The smaller the gauge number of the wire, the greater the capacity of the cable, that is, 16 gauge has more capacity than 18 gauge. An undersized cord will cause a drop in line voltage resulting in loss of power and overheating. When using more than one extension to make up the total length, be sure each individual extension contains at least the minimum wire size. The following table shows the correct size to use depending on cord length and nameplate

ENGLISH

ampere rating. If in doubt, use the next heavier gauge. The lower the gauge number, the heavier the cord.

Volts		Total Length of Cord in Feet (meters)			
120 V		25 (7.6)	50 (15.2)	100 (30.5)	150 (45.7)
240 V		50 (15.2)	100 (30.5)	200 (61.0)	300 (91.4)
Ampere Rating		American Wire Gauge			
More Than	Not More Than				
0	6	18	16	16	14
6	10	18	16	14	12
10	12	16	16	14	12
12	16	14	12	Not Recommended	

The label on your tool may include the following symbols. The symbols and their definitions are as follows:

V.....volts	⤿ or AC/DC..... alternating or direct current
Hz.....hertz	□.....Class II Construction (double insulated)
min.....minutes	n ₀no load speed
— or DC.....direct current	n.....rated speed
⚡.....Class I Construction (grounded)	⊕.....earthing terminal
.../min.....per minute	⚠.....safety alert symbol
BPM.....beats per minute	☠.....visible radiation
IPM.....impacts per minute	⚠.....avoid staring at light
RPM.....revolutions per minute	☞.....wear respiratory protection
sfpm.....surface feet per minute	☞.....wear eye protection
SPM.....strokes per minute	☞.....wear hearing protection
OPM.....oscillations per minute	📖.....read all documentation
A.....amperes	IPXX.....IP symbol
W.....watts	
⤿ or AC.....alternating current	

Intended Use

This edger is intended for household use.

DO NOT use under wet conditions or in presence of flammable liquids or gases.

DO NOT let children come into contact with the tool. Supervision is required when inexperienced operators use this tool.

Motor

Be sure your power supply agrees with the nameplate marking. Voltage decrease of more than 10% will cause loss of power and overheating. These tools are factory tested; if this tool does not operate, check power supply.

ASSEMBLY AND ADJUSTMENTS

⚠ WARNING: To reduce the risk of serious personal injury, turn unit off and disconnect it from power source before making any adjustments or removing/installing attachments or accessories. An accidental start-up can cause injury.

⚠ DANGER: UNPLUG TOOL. Wait for blade to come to complete stop.

Assembling the Handle Tubes (Fig. C, D, G)

1. Remove knobs **2** and curved head bolts **13** from handle tube mounting holes.
2. Remove tape which secures internal jacketed cable to tubes.
3. Slide middle tube **4** into upper tube **3** and fasten handle tubes together with the knob and curved head bolt. Note that when you first insert the bolt it may be necessary to wiggle it carefully to get it past the jacketed cable inside the tube. There are two positions available for adjustment to your preferred height setting. See Figure G for upper handle orientation. Ensure the cable moves smoothly into the handle tubes while assembling.
4. Push jacketed cable down into lower tube to remove the slack. Slide the middle tube into the lower by locating the groove and the bump. Fasten handle tubes together with the remaining knob and curved head bolt. Note that when you first insert the bolt it may be necessary to wiggle it carefully to get it past the jacketed wire inside the tube.

⚠ CAUTION: NEVER use a sharp object to move jacketed wires out of the way.

Fig.C

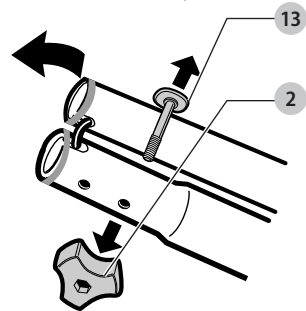
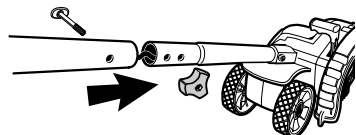


Fig. D



Attaching the Auxiliary Handle (Fig. E)

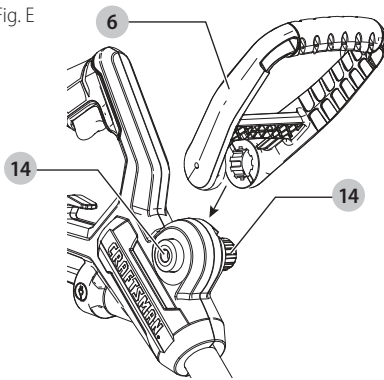
For some models the auxiliary handle may need to be attached. If the model needs the auxiliary handle attached, please refer to these instructions.

1. To attach the auxiliary handle **6**, press in on the auxiliary handle adjustment buttons **14** on both sides of the upper housing as shown in Figure E
2. Position the auxiliary handle as shown in Figure E. Partially push the auxiliary handle on so it will hold the buttons in when you release them with your hand.
3. Push the auxiliary handle completely onto the housing and position it slightly until it “snaps” into place.

NOTE: To adjust the auxiliary handle up or down, press in on the buttons and raise or lower the handle.

NOTE: The handle should be adjusted so that your front arm is straight when the edger is in the working position.

Fig. E



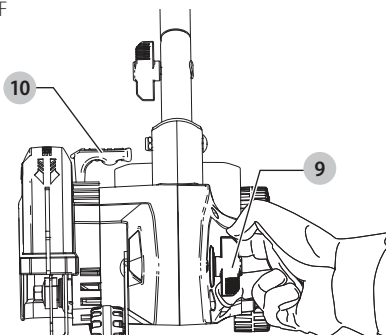
Cut Depth Adjustment (Fig. A, F)

The front wheel can be adjusted to allow a deeper or shallower cut, and to increase the life of the blade.

1. Wait for blade to come to complete stop.
2. Unplug tool.
3. Loosen the cut depth knob **9**.
4. Adjust wheel depth, using the depth indicator (on the wheel bracket and the marking on the front housing.
NOTE: Recommend 1" (2.5 cm) depth for edging.
5. Tighten knob firmly.

NOTE: Thick overgrowth may drag on the guard. Reduce cut depth to minimum to help reduce this effect.

Fig. F



Pull-Up Edge Guide (Fig. F, G)

The edge guide is useful for cutting a straight path along sidewalks. For landscaping or trenching in the yard the edge guide can interfere with moving the edger through hard soil or sod. The edge guide can be adjusted so that the tool will also perform TRENCHING and LANDSCAPING operations.

To Change Position of the Edge Guide Landscaping

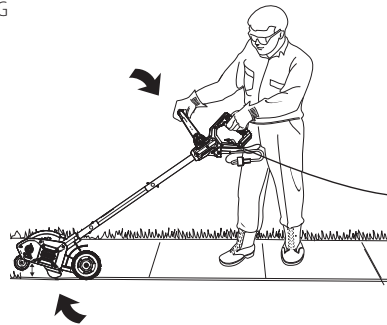
Pull edge guide lever **10** (Fig. F) sideways to unlock from the guard tab in direction of small arrow. Lift the lever up until the lower square notch in the lever lines up with the tab on the guard. In this position the edge guide is lifted up so the tool can easily cut along the edges of flower and shrubbery beds, and around trees in preparation for trenching or sod removal.

Trenching

To return edge guide to lower position, pull lever sideways and push down until guard tab fits into upper lever hole.

NOTE: You may need to tilt edger back to allow edge guide to be moved into trenching position (Fig. G).

Fig. G

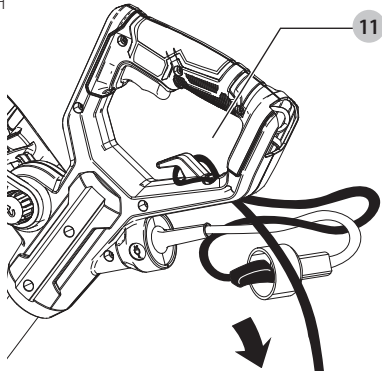


Attaching Extension Cord To Edger (Fig. H)

An extension cord retainer **11** is built into the switch handle to reduce strain on the power cord. To use this feature, simply double the extension cord as shown, about 1' (30 cm) from the end, and insert it into the end of the handle. Hook the loop formed by doubling the cord over the tab. Gently tug on the cord to ensure that it is firmly retained in the handle.

Keep extension cord clear of operator, unit, and any obstacles at all times. Do not expose the cord to heat, oil, water, or sharp edges.

Fig. H



Blade (Fig. I)

⚠ DANGER: *Unplug tool. Wait for blade to come to complete stop.*

The blade 15, two spacers 16 and hex head nut 17 with conical washer should be attached to your edger in the order shown. Please check that the blade has been properly mounted before using your edger. The edger blade has two wear indicators that show when blade needs to be replaced. When the blade wears to the small hole at each end of the blade it will give only 1/4" (6 mm) depth of cut and should be replaced.

NOTE: To increase blade life, keep initial cutting depth at minimum and increase depth setting as blade wears.

Blade Replacement

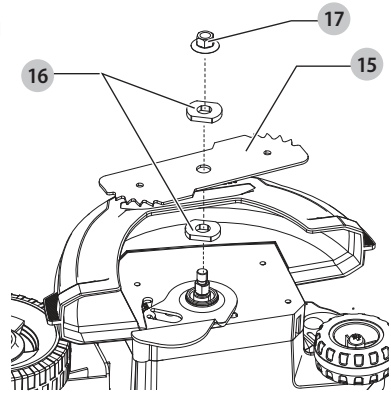
⚠ DANGER: *Unplug tool. Wait for blade to come to complete stop.*

⚠ DANGER: *Blade rotates momentarily after the switch is released.*

1. Loosen the hex head nut 17 (9/16"). Use a 1" wrench on the outer spacer 16, or a 2" x 4" wood block between the blade 15 and guard if necessary to hold the blade from turning.
2. Ensure inner spacer is on shaft—"flats" in spacer hole must engage with "flats" on shaft.
3. Holding the spacer in place, put the blade on the shaft, as shown (Fig. I).
4. Hold the blade against the spacer and install the outer spacer, again aligning the flats in the spacer with the flats on the shaft.
5. Install the hex head nut and conical washer, then tighten with a wrench.

NOTE: Replace hex head nut and conical washer only with identical replacement part.

Fig. I



OPERATION

⚠ WARNING: *To reduce the risk of serious personal injury, turn unit off and disconnect it from power source before making any adjustments or removing/installing attachments or accessories. An accidental start-up can cause injury.*

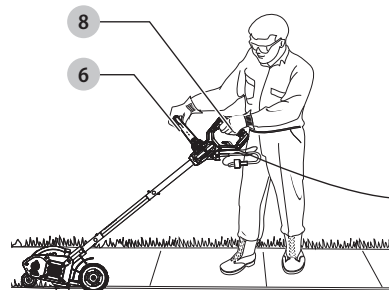
Proper Hand Position (Fig. J)

⚠ WARNING: *To reduce the risk of serious personal injury, ALWAYS use proper hand position as shown.*

⚠ WARNING: *To reduce the risk of serious personal injury, ALWAYS hold securely in anticipation of a sudden reaction.*

Proper hand position requires one hand on the main handle 8 and one hand on the auxiliary handle 6.

Fig. J



Switch (Fig. A)

To turn tool ON, squeeze the trigger switch 7. The trigger has been designed so that it is very easy to hold in the ON position. To turn tool OFF, release the trigger.

NOTE: The edger is a major appliance and should not be operated simultaneously with other major appliances on the same household circuit.

Usage

1. Set cut depth at 1" (2.5 cm) and set edge guide to the down position, refer to **Assembly and Adjustments** Instructions.
2. Before starting the edger, line up the tool so the edge guide rests against the edge of the paved surface. Both rear wheels should be on the paved surface when edging.

NOTE: When there is heavy overgrowth of grass over the paved surface it may drag on the guard. An initial cut may be required with the edger on the grass side. This will require lifting up the edge guide and may require reducing the depth of cut (refer to **To Change Position of the Edge Guide** instructions).

3. To avoid kickback of edger, tilt the handle down so the blade is above the ground.
4. Turn switch ON and allow blade to spin without moving tool.
5. Slowly lift the handle to lower the blade, finding the edge of the paved surface and start edging. Then move tool forward slowly along edge of paved surface, keeping the edge guide pressed lightly against the pavement edge.
 - For the first edging each season, it is best to move forward slowly because grass is thickest then. Subsequent edging will be completed more rapidly. If the tool slows down, back it up an inch or two until the blade comes up to normal speed. During edging some sparks may be generated from hitting stones. This is normal. Do not attempt to edge when the grass or soil is wet or moist—for electrical safety and to prevent clogging of the blade chamber. If you must edge under conditions that cause the blade chamber to become clogged, release trigger, wait for blade to come to complete stop. Unplug tool, open door and remove clogged material with a stick. To continue to operate the tool in a clogged condition will seriously overload the motor.

CAUTION: Do not attempt to unclog the blade chamber by dropping or tapping the tool on the ground. This can damage the unit. Keep hands clear of edge guide and blade when cleaning as these wear to a very sharp point during edging.

Landscaping/Trenching

WARNING: Before Landscaping or Trenching, inspect and ensure there are no exposed or buried cables, pipes or other objects that may create a hazard or interfere with operating the edger. Set depth to only that required for the job. Do not overload. If tool slows, pull back slightly and wait until blade comes up to normal speed.

Storage

WARNING: Be sure the tool is unplugged. Remove and clean any debris from the outside of the edger and inside of guard before storage. Refer to **MAINTENANCE** section. If necessary, the edger may be stored by hanging on a hook by its handle.

CAUTION: Do not hang edger on the switch trigger or power cord.

NOTICE: Do not store the tool on or adjacent to fertilizers or chemicals. Such storage can cause rapid corrosion.

Preventing Corrosion

Fertilizers and other garden chemicals contain agents that greatly accelerate the corrosion of metals. If you use the tool in areas where fertilizers or chemicals have been used, the tool should be cleaned immediately afterwards. Wipe all exposed parts with a damp cloth. You may lubricate only metal parts with a light petroleum based oil.

When cleaning, DO NOT immerse tool in water or squirt it with a hose.

MAINTENANCE

WARNING: To reduce the risk of serious personal injury, turn unit off and disconnect it from power source before making any adjustments or removing/installing attachments or accessories. An accidental start-up can cause injury.

Cleaning

WARNING: Blow dirt and dust out of all air vents with clean, dry air at least once a week. To minimize the risk of eye injury, always wear ANSI Z87.1 approved eye protection when performing this procedure.

WARNING: Never use solvents or other harsh chemicals for cleaning the non-metallic parts of the tool. These chemicals may weaken the plastic materials used in these parts. Use a cloth dampened only with water and mild soap. Never let any liquid get inside the tool; never immerse any part of the tool into a liquid.

Accessories

WARNING: Since accessories, other than those offered by CRAFTSMAN, have not been tested with this product, use of such accessories with this tool

ENGLISH

could be hazardous. To reduce the risk of injury, only CRAFTSMAN recommended accessories should be used with this product.

Recommended accessories for use with your tool are available at extra cost from your local dealer or authorized service center. If you need assistance in locating any accessory, please contact CRAFTSMAN call 1-888-331-4569.

Versatrack™ (Fig. K)

⚠ WARNING: To reduce the risk of serious personal injury, turn unit off and disconnect it from power source and before making any adjustments or removing/installing attachments or accessories. An accidental start-up can cause injury.

⚠ WARNING: To reduce the risk of serious personal injury, do not use a damaged Versatrack™ integral hang hook or Versatrack™ Trackwall. A damaged Versatrack™ integral hang hook or Versatrack™ Trackwall will not support the weight of the tool.

⚠ WARNING: To reduce the risk of serious personal injury, DO NOT suspend tool overhead or suspend objects from the integral hang hook. ONLY suspend tool on the Versatrack™ Trackwall using the integral hang hook.

⚠ WARNING: The Versatrack™ integral hang hook is intended to mount the tool onto a Versatrack™ Trackwall rail. Do not use the integral hang hook to mount the tool to any other surface.

⚠ WARNING: The Versatrack™ integral hang hook is not a belt hook.

⚠ WARNING: When hanging objects on a Versatrack™ Trackwall rail, adequately space the tools in order to not exceed 75 lb (35 kg) per linear foot.

⚠ WARNING: Before using the tool make sure that the Versatrack™ integral hang hook is returned to its original position.

IMPORTANT: Versatrack™ accessories mount compatible tools securely to the Versatrack™ Trackwall system.

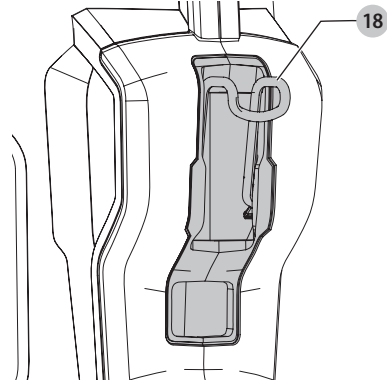
1. Turn tool off, disconnect it from power source and remove accessories.

⚠ CAUTION: Any product with exposed cutting teeth must have them covered securely if it is to be on the Versatrack™ Trackwall.

2. Flip or pull open the integral hang hook **18**. It clicks when locked into position.
3. Mount the integral hang hook to the Versatrack™ Trackwall.

NOTE: Versatrack™ accessories for use with your tool are available at extra cost from your local dealer or authorized service center. If you need assistance in locating any accessory, please contact CRAFTSMAN, call **1-888-331-4569**.

Fig. K



Repairs

⚠ WARNING: To assure product SAFETY and RELIABILITY, repairs, maintenance and adjustment (including power cord repairs, and brush inspection and replacement, when applicable) should be performed by a CRAFTSMAN factory service center or a CRAFTSMAN authorized service center. Always use identical replacement parts.

Register Online

Thank you for your purchase. Register your product now for:

- **WARRANTY SERVICE:** Registering your product will help you obtain more efficient warranty service in case there is a problem with your product.
- **CONFIRMATION OF OWNERSHIP:** In case of an insurance loss, such as fire, flood or theft, your registration of ownership will serve as your proof of purchase.
- **FOR YOUR SAFETY:** Registering your product will allow us to contact you in the unlikely event a safety notification is required under the Federal Consumer Safety Act.

Register online at www.craftsman.com/registration

Three Year Limited Warranty

CRAFTSMAN will repair or replace, without charge, any defects due to faulty materials or workmanship for three years from the date of purchase. This warranty does not cover part failure due to normal wear or tool abuse. For further detail of warranty coverage and warranty repair information, visit www.craftsman.com or call **1-888-331-4569**. This warranty does not apply to accessories or damage caused where repairs have been made or attempted by others. THIS LIMITED WARRANTY IS GIVEN IN LIEU OF ALL OTHERS, INCLUDING THE IMPLIED WARRANTY OF MERCHANTABILITY AND FITNESS FOR A PARTICULAR PURPOSE, AND EXCLUDES ALL INCIDENTAL OR CONSEQUENTIAL DAMAGES. Some states do not allow limitations on how long an implied warranty lasts or the exclusion or limitation of incidental or consequential damages, so these limitations may not apply to you. This warranty gives you specific legal rights and you may have other rights which vary in certain states or provinces.

90 DAY MONEY BACK GUARANTEE

If you are not completely satisfied with the performance of your CRAFTSMAN Power Tool or Nailer for any reason, you can return it within 90 days from the date of purchase with a receipt for a full refund – no questions asked.

LATIN AMERICA: This warranty does not apply to products sold in Latin America. For products sold in Latin America, see country specific warranty information contained in the packaging, call the local company or see website for warranty information.

FREE WARNING LABEL REPLACEMENT: If your warning labels become illegible or are missing, call **1-888-331-4569** for a free replacement.

Définitions : symboles et termes d'alarmes sécurité

Ces guides d'utilisation utilisent les symboles et termes d'alarmes sécurité suivants pour vous prévenir de situations dangereuses et de risques de dommages corporels ou matériels.

⚠ DANGER : indique une situation dangereuse imminente qui, si elle n'est pas évitée, **entraînera la mort ou des blessures graves.**

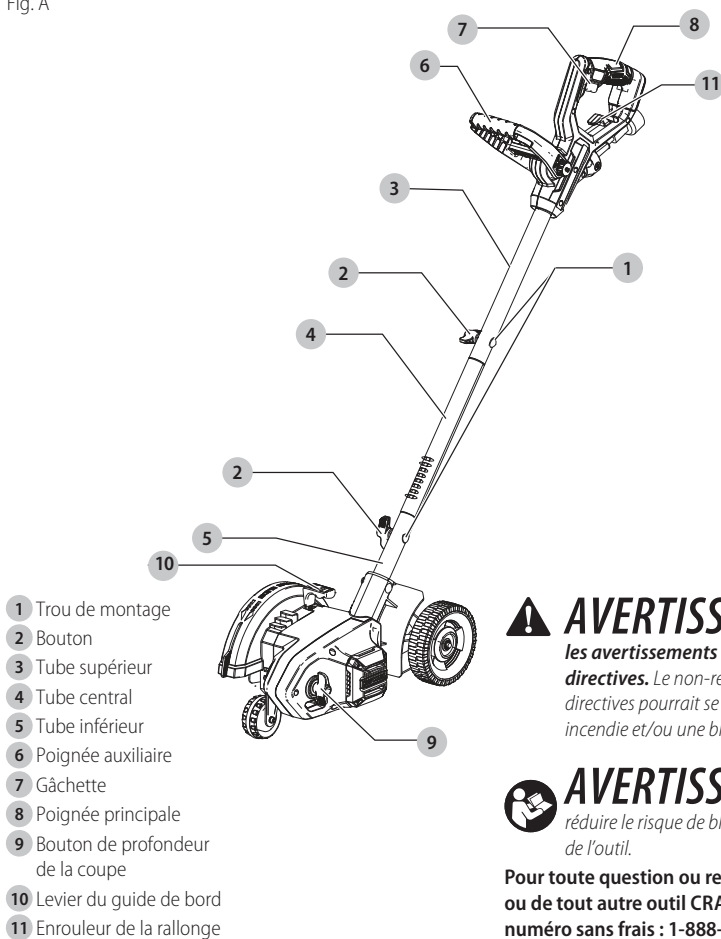
⚠ AVERTISSEMENT : indique une situation potentiellement dangereuse qui, si elle n'est pas évitée, **pourrait entraîner la mort ou des blessures graves.**

⚠ ATTENTION : indique une situation potentiellement dangereuse qui, si elle n'est pas évitée, **pourrait entraîner des blessures légères ou modérées.**

⚠ (Si utilisé sans aucun terme) Indique un message propre à la sécurité.

AVIS : indique une pratique ne posant **aucun risque de dommages corporels** mais qui par contre, si rien n'est fait pour l'éviter, **pourrait poser des risques de dommages matériels.**

Fig. A



⚠ AVERTISSEMENT : lire tous les avertissements de sécurité et toutes les directives. Le non-respect des avertissements et des directives pourrait se solder par un choc électrique, un incendie et/ou une blessure grave.

⚠ AVERTISSEMENT : afin de réduire le risque de blessures, lire le mode d'emploi de l'outil.

Pour toute question ou remarque au sujet de cet outil ou de tout autre outil CRAFTSMAN composez le numéro sans frais : 1-888-331-4569.

Coupe-bordure CMEED400

CONSIGNES IMPORTANTES DE SÉCURITÉ

⚠ AVERTISSEMENT : afin de réduire le risque de blessure :

- Avant toute utilisation, assurez-vous que toutes les personnes qui utiliseront l'outil lisent et comprennent toutes les consignes de sécurité et les autres renseignements compris dans le présent manuel.
- Conservez ces instructions et consultez-les souvent.

⚠ AVERTISSEMENT : lors de l'utilisation d'outils de jardinage électriques, les mesures de précaution de base devraient toujours être prises pour réduire la possibilité d'incendie, de choc électrique et de blessures, en suivant les recommandations suivantes.

1. **Évitez les environnements dangereux** – ne pas utiliser des appareils dans des endroits humides ou mouillés.
2. **Ne pas utiliser sous la pluie.**
3. **Gardez les enfants éloignés** – tous les visiteurs devraient être gardés à une distance sécuritaire de l'aire de travail.
4. **Portez des vêtements appropriés** – ne pas porter des vêtements amples ou des bijoux. Ils peuvent se coincer dans les pièces qui se déplacent. L'utilisation de gants en caoutchouc et de très bonnes chaussures est recommandée lors du travail extérieur. Portez une protection pour vos cheveux afin de les retenir.
5. **Utilisez des lunettes de sécurité** – utilisez un masque facial ou antipoussières s'il y a de la poussière durant l'utilisation.
6. **Utilisez le bon outil** – ne pas utiliser cet outil pour toute tâche autre que celles pour lesquelles il est conçu.
7. **La protection du disjoncteur différentiel de fuite à la terre (DDFT) doit être fournie sur le ou les circuits ou la ou les prises utilisés pour l'outil de jardinage.** Les connecteurs femelles sont disponibles avec une protection DDFT intégrée et peuvent être utilisés pour cette mesure de sécurité.
8. **Afin de réduire le risque de choc électrique, utilisez seulement avec une rallonge conçue pour l'utilisation à l'extérieur, comme une rallonge de type SW-A, SOW-A, STW-A, STOW-A, SJW-A, SJOW-A, SJTW-A ou SJTOW-A.**
9. **Rallonge : Assurez-vous que votre rallonge est en bon état. Lorsque vous utilisez une rallonge, assurez-vous d'utiliser un calibre suffisamment lourd pour faire circuler le courant qui sera acheminé au produit. Une rallonge de taille inférieure entraînera une chute de tension de secteur ce qui causera une perte de puissance et une surchauffe. Le tableau**

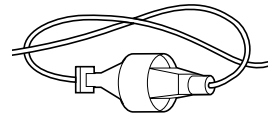
Calibre minimum pour les cordons d'alimentation affiche la bonne taille à utiliser selon longueur de cordon et l'intensité nominale de la plaque signalétique. En cas de doute, utilisez le calibre le plus lourd suivant. Plus le numéro de calibre est bas, plus le cordon est lourd. Afin de réduire le risque de débranchement du cordon de l'outil de la rallonge durant le fonctionnement :

- i) Faites un nœud comme illustré dans la Figure B;
- ii) Utilisez une des sangles de fixation du connecteur femelle de la fiche ou les connecteurs décrits dans ce guide.

OU

- iii) Branchez bien la rallonge avec la fiche de l'appareil comme illustré ou décrit dans **Assemblage et Ajustements.**

Fig. B



10. **Évitez les démarrages accidentels : ne pas transporter l'outil branché avec votre doigt sur la gâchette.** Assurez-vous que la gâchette est éteinte avant de brancher.
11. **Ne pas abuser du cordon : Ne jamais transporter l'outil par le cordon ou tirez celui-ci d'un coup sec pour le débrancher de la prise.** Gardez le cordon hors de portée de la chaleur, de l'huile, les bords coupants.
12. **Ne pas saisir les lames de coupe exposées ou les bords coupants lorsque vous prenez ou tenez l'appareil.**
13. **Ne pas forcer l'outil** – le travail sera mieux fait et avec moins de probabilité de risque à la vitesse pour laquelle il a été conçu.
14. **Ne pas s'étirer** – maintenez vos pieds bien d'aplomb sur le sol et un bon équilibre en tout temps.
15. **Demeurez vigilant** – regardez ce que vous faites. Faites preuve de bon sens. Ne pas utiliser l'appareil lorsque vous êtes fatigué.
16. **Débranchez l'appareil** – débranchez l'appareil de l'alimentation lorsque vous ne l'utilisez pas, avant de réparer, lorsque vous changez les accessoires comme les lames et autres.
17. **Entreposez les outils arrêtés à l'intérieur** – lorsqu'ils ne sont pas utilisés, les outils doivent être entreposés à l'intérieur dans un endroit sec et élevé ou verrouillé hors de portée des enfants.
18. **Entretenez soigneusement l'outil** – gardez bords coupants aiguisés et nettoyez pour une meilleure

FRANÇAIS

performance et afin de réduire le risque de blessure. Pour lubrifier l'outil et remplacer les accessoires, suivez les directives du manuel. Inspectez régulièrement la source d'alimentation et si elle est endommagée, faites-la réparer dans un établissement de services autorisé. Inspectez régulièrement les rallonges et remplacez-les si elles sont endommagées. Gardez vos mains sèches, propres et exemptes de graisse et de poussière.

19. **Vérifiez les pièces endommagées** – avant toute utilisation ultérieure de l'outil, un protecteur ou une autre pièce qui est endommagé doit être soigneusement vérifié afin de déterminer s'il fonctionnera correctement et s'il effectuera la fonction prévue. Vérifiez l'alignement des pièces qui se déplacent, les fixations des pièces qui se déplacent, le bris des pièces, le montage et tout autre état qui peut affecter son utilisation. Un protecteur ou une autre pièce qui est endommagé doit être convenablement réparé ou remplacé par un centre de services autorisé sauf si c'est indiqué ailleurs dans ce manuel.

CONSERVEZ CES INSTRUCTIONS

Avertissements de sécurité supplémentaires

AVERTISSEMENT : *pour réduire le risque de blessures par ricochet, travaillez en vous éloignant de tout objet solide tel un mur, des marches, de grosses pierres, des arbres, etc. Faire preuve de vigilance lorsqu'on travaille à proximité de ces objets ou face au vent, au besoin, effectuer le travail à la main.*

- **PROTECTEUR** – ne pas utiliser cet outil sans avoir fixé le protecteur.
- **LAME** : gardez la zone de la lame propre.
- **GARDEZ VOTRE VISAGE, VOS MAINS ET VOS PIEDS À L'ÉCART DE LA ZONE DE COUPE EN TOUT TEMPS.**
- **GARDEZ TOUS LES PASSANTS ÉLOIGNÉS** : à une distance sécuritaire de la zone de travail, particulièrement les enfants. ASSUREZ-VOUS que les autres personnes et les animaux sont à une distance d'au moins 30 m (100 pi).
- **AVANT DE FAIRE DE L'AMÉNAGEMENT PAYSAGER OU DE CREUSER DES TRANCHÉES**, vérifiez s'il y a des câbles électriques enfouis.
- **FAITES TRÈS ATTENTION** lorsque vous travaillez près d'objets solides et au besoin, taillez à la main.
- **DOMMAGES À L'OUTIL** : si vous frappez ou si vous vous emmêlez avec un objet étranger, arrêtez immédiatement l'outil, débranchez le cordon, vérifiez les dommages et faites réparer les dommages avant de tenter de le réutiliser.
- **NE PAS UTILISER** les outils électriques portatifs dans une atmosphère gazeuse ou explosive. Les moteurs de ces outils produisent des étincelles et ces étincelles pourraient enflammer les vapeurs.
- **DEMEUREZ VIGILANT** – ne pas utiliser cet outil lorsque vous êtes fatigué, malade ou sous l'influence de l'alcool, de drogues ou de médicaments.

- **NE PAS** immerger l'outil dans l'eau ou l'asperger avec un tuyau.
- **NE PAS** laisser pénétrer tout liquide à l'intérieur. Si l'outil est mouillé, laissez-le sécher pendant au moins 48 heures.
- **NE PAS** nettoyer avec une laveuse à pression.
- **NE PAS** entreposer l'outil sur ou près de fertilisants ou de produits chimiques.
- **NE PAS** charger l'outil sous la pluie ou dans des endroits mouillés.
- **PIÈCES DE RECHANGE** : Lors des travaux d'entretien, utiliser seulement des pièces de rechange identiques.
- **NE PAS DÉPASSER SA PORTÉE.** Toujours demeurer dans une position stable et garder son équilibre.

Mesures de Sécurité : Fiche Polarisée

Le produit est muni d'une fiche polarisée (une lame plus large que l'autre) afin de minimiser les risques de secousses électriques. Le produit doit alors être utilisé avec un cordon de rallonge bifilaire ou trifilaire approprié. Ce genre de fiche n'entre que d'une façon dans une prise polarisée. S'assurer que la douille de la rallonge possède une fente plus large que l'autre. Lorsqu'on ne peut insérer la fiche à fond dans la rallonge, il faut tenter de la faire après avoir inversé les lames de côté. Si la fiche n'entre toujours pas dans la rallonge, il faut se procurer une rallonge appropriée. Lorsqu'on ne peut insérer la fiche de la rallonge à fond dans la prise, il faut communiquer avec un électricien certifié pour qu'il installe une prise appropriée. Il ne faut pas modifier la fiche de l'outil ni la rallonge.

Consigne de sécurité supplémentaire

AVERTISSEMENT : *ne jamais modifier l'outil électrique ni aucun de ses composants, car il y a des risques de dommages corporels ou matériels.*

AVERTISSEMENT : *porter SYSTEMATIQUÉMENT des lunettes de protection. Les lunettes courantes NE sont PAS des lunettes de protection. Utiliser aussi un masque antipoussières si l'opération est poussiéreuse. PORTER SYSTEMATIQUÉMENT UN ÉQUIPEMENT DE SÉCURITÉ HOMOLOGUÉ :*

- Protection oculaire ANSI Z87.1 (CAN/CSA Z94.3) ;
- Protection auditive ANSI S12.6 (S3.19) ;
- Protection des voies respiratoires NIOSH/ OSHA/ MSHA.

AVERTISSEMENT : *certaines poussières contiennent des produits chimiques reconnus dans l'État de la Californie pour causer le cancer et des anomalies congénitales ou autres effets nuisibles sur la reproduction. Certains exemples de ces produits chimiques sont :*

- des composants de fertilisants,
- des composants d'insecticides, d'herbicides et de pesticides,

- l'arsenic et le chrome provenant du bois de construction traité chimiquement.

Pour réduire votre exposition à ces produits chimiques, portez un équipement de sécurité approuvé, comme un masque antipoussière spécialement conçu pour filtrer les particules microscopiques.

⚠ AVERTISSEMENT : cet outil peut produire et/ou répandre de la poussière susceptible de causer des dommages sérieux et permanents au système respiratoire. Utiliser systématiquement un appareil de protection des voies respiratoires homologué par le NIOSH ou l'OSHA. Diriger les particules dans le sens opposé au visage et au corps..

⚠ AVERTISSEMENT : pendant l'utilisation, porter systématiquement une protection auditive individuelle adéquate homologuée ANSI S12.6 (S3.19). Sous certaines conditions et suivant la durée d'utilisation, le bruit émanant de ce produit pourrait contribuer à une perte de l'acuité auditive.

⚠ ATTENTION : après utilisation, ranger l'outil sur son côté, sur une surface stable, là où il ne pourra ni faire trébucher ni faire chuter quelqu'un. Certains outils peuvent tenir à la verticale, mais manquent alors de stabilité.

- Prendre des précautions à proximité des événements, car ils cachent des pièces mobiles. Vêtements amples, bijoux ou cheveux longs risquent de rester coincés dans ces pièces mobiles.
- Pour la sécurité de l'utilisateur, utiliser une rallonge de calibre adéquat (AWG, American Wire Gauge [calibrage américain normalisé des fils électriques]). Plus le calibre est petit, et plus sa capacité est grande. Un calibre 16, par exemple, a une capacité supérieure à un calibre 18. L'usage d'une rallonge de calibre insuffisant causera une chute de tension qui entraînera perte de puissance et surchauffe. Si plus d'une rallonge est utilisée pour obtenir une certaine longueur, s'assurer que chaque rallonge présente au moins le calibre de fil minimum. Le tableau ci-dessous illustre les calibres à utiliser selon la longueur de rallonge et l'intensité nominale indiquée sur la plaque signalétique. En cas de doute, utiliser le calibre suivant. Plus le calibre est petit, plus la rallonge peut supporter de courant.

Calibre minimum pour les cordons d'alimentation

Volts		Longueur totale du cordon d'alimentation en mètre (pieds)			
120 V		7,6 (25)	15,2 (50)	30,5 (100)	45,7 (150)
240 V		15,2 (50)	30,5 (100)	61,0 (200)	91,4 (300)
Ampères		AWG			
Plus que	Pas plus que				
0	6	18	16	16	14
6	10	18	16	14	12
10	12	16	16	14	12
12	16	14	12	Non recommandé	

L'étiquette apposée sur votre outil peut inclure les symboles suivants. Les symboles et leur définition sont indiqués ci-après :

- V volts
- Hz hertz
- min minutes
- ou DC..... courant continu
- Ⓜ fabrication classe I (mis à la terre)
- ... /min..... par minute
- BPM battements par minute
- IPM impacts par minute
- RPM révolutions par minute
- sfpm (plpm) pieds linéaires par minute
- SPM (FPM) fréquence par minute
- OPM..... oscillations por minuto
- A ampères
- IPXX symbole IP
- W watts
- ~ ou AC..... courant alternatif
- ⎓ ou AC/DC... courant alternatif ou continu
- Ⓜ fabrication classe II (double isolation)
- n₀ vitesse à vide
- n vitesse nominale
- Ⓧ borne de terre
- ⚠ symbole d'avertissement
- ⚠ radiation visible
- Ⓜ protection respiratoire
- Ⓜ protection oculaire
- Ⓜ protection auditive
- Ⓜ lire toute la documentation

Usage Prévu

Ce coupe-bordure est conçu pour un usage domestique.

NE PAS les utiliser en milieu ambiant humide ou en présence de liquides ou de gaz inflammables.

NE PAS le laisser à la portée des enfants. Une supervision est nécessaire auprès de tout utilisateur non expérimenté.

Moteur

S'assurer que le bloc d'alimentation est compatible avec l'inscription de la plaque signalétique. Une diminution de tension de plus de 10 % provoquera une perte de puissance et une surchauffe. Ces outils sont testés en usine ; si cet outil ne fonctionne pas, vérifier l'alimentation électrique.

ASSEMBLAGE ET AJUSTEMENTS

⚠ AVERTISSEMENT : afin de réduire le risque de blessure corporelle, éteignez l'appareil et débranchez-le la source d'alimentation avant d'effectuer tout ajustement ou de retirer/installer des pièces ou des accessoires. Un déclenchement accidentel du démarrage peut causer des blessures.

⚠ DANGER : DÉBRANCHER L'OUTIL! Attendez l'immobilisation complète de la lame!

Assemblage de la poignée (Fig. C, D, G)

1. Retirer les boutons 2 et les boulons à tête bombée 13 des trous de montage du tube de la poignée.
2. Retirer le ruban qui fixe solidement le câble gainé interne aux tubes.

FRANÇAIS

3. Coulisser le tube intermédiaire **4** dans le tube supérieur **3** et fixer ensemble les tubes de la poignée à l'aide du bouton et de la tête de boulon courbée. Il est possible que vous ayez à jouer délicatement avec le boulon pour le faire passer au-delà du câble gainé à l'intérieur du tube lors de la première insertion. Deux positions de réglage en hauteur sont offertes. Consulter la Figure G pour l'orientation de la poignée supérieure. Lors de l'assemblage des tubes, s'assurer que le câble se déplace librement à l'intérieur.
4. Pour enlever le jeu présent, tirer le câble gainé vers le bas, dans le tube inférieur. Faites glisser le tube du milieu dans le tube inférieur en alignant la rainure et la saillie. Fixer les tubes de la poignée ensemble avec l'autre bouton et la tête de boulon courbée. Il est possible que vous ayez à jouer délicatement avec le boulon pour le faire passer au-delà du fil gainé à l'intérieur du tube lors de la première insertion.

⚠ ATENCION : NE JAMAIS utiliser un objet pointu pour déplacer les fils.

Fig.C

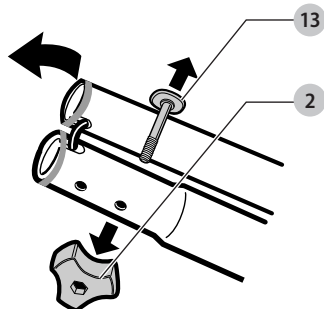
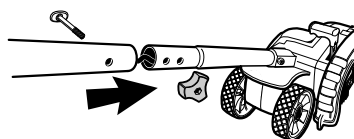


Fig. D



Fixer la poignée auxiliaire (Fig. E)

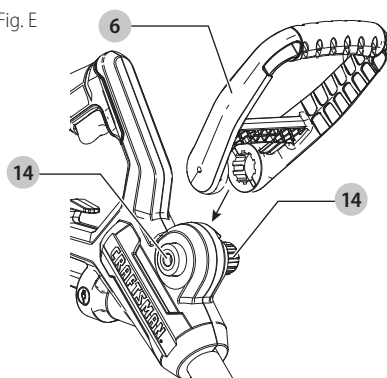
Pour certains modèles, il peut être nécessaire de fixer la poignée auxiliaire. Si c'est un modèle devant avoir la poignée auxiliaire fixée, veuillez consulter ces instructions.

1. Pour fixer la poignée auxiliaire **6**, enfoncer les boutons d'ajustement de la poignée auxiliaire **14** des deux côtés du boîtier supérieur comme le montre la Figure E
2. Positionner la poignée comme le montre la Figure E. Pousser partiellement la poignée. Ainsi, les boutons seront maintenus enfoncés au moment de les relâcher.
3. Pousser la poignée complètement sur le boîtier et la positionner légèrement de manière à ce qu'elle « s'enclenche » en place.

REMARQUE : pour régler la poignée vers le haut ou le bas, appuyer sur le bouton, puis relever ou abaisser la poignée.

REMARQUE : ajuster la poignée de façon à avoir le bras avant complètement droit lorsque la taille-bordure est en position de fonctionnement.

Fig. E



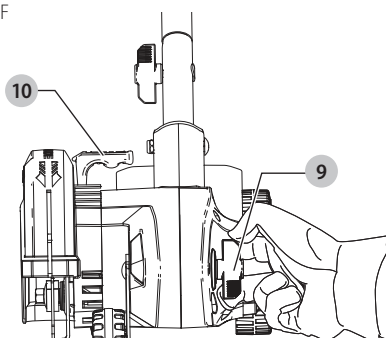
Réglage de la profondeur de coupe (Fig. A, F)

La roue avant se règle afin de modifier la profondeur de coupe et de prolonger la durée de la lame.

1. Attendre l'immobilisation complète de la lame!
 2. Débrancher l'outil.
 3. Desserrer le bouton de réglage de la profondeur **9**.
 4. Régler la hauteur de la roue en utilisant l'indicateur de profondeur qui se trouve sur le support de la roue et les mentions sur le boîtier avant.
- NOTE :** une profondeur de 2,5 cm (1 po) est recommandée pour couper une bordure.
5. Bien resserrer le bouton.

REMARQUE : Une végétation dense peut traîner le protecteur. Réduisez la profondeur de la coupe au minimum pour aider à réduire cet effet.

Fig. F



Guide de rebord (Fig. F, G)

Le guide de rebord est pratique pour couper une ligne droite le long des trottoirs. Lorsqu'on veut effectuer des travaux d'aménagement paysager ou couper des rigoles dans la cour, le guide de rebord peut nuire lors de travaux dans de la terre battue ou des mottes de gazon. On peut régler le guide afin de pouvoir faire des RIGOLE ou des travaux d'AMÉNAGEMENT PAYSAGER.

Pour modifier la position du guide de bord

Faire de l'aménagement paysager

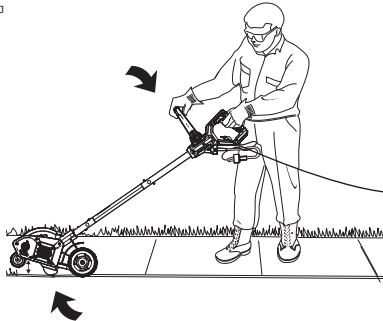
Tirez le bouton du guide de bord **10** (Fig. F) vers les côtés pour déverrouiller la languette du protecteur dans le sens de la petite flèche. Levez le bouton vers le haut jusqu'à ce l'encoche carrée inférieure dans le levier s'aligne avec la languette sur le protecteur. Dans cette position, le guide de bord est levé afin que l'outil puisse facilement le long des bords de parterres de fleurs et d'arbustes et autour des arbres en prévision de l'aménagement paysager ou le retrait de plaques de gazon.

Creuser des tranchées

Pour ramener le guide de bord en position inférieure, tirez vers les côtés et poussez le protecteur vers le bas jusqu'à ce que la languette entre dans le trou du levier supérieur.

REMARQUE : Vous pouvez avoir besoin de pencher le coupe-bordure vers l'arrière pour permettre au guide de bord de se déplacer en position de creusage (Fig. G).

Fig. G

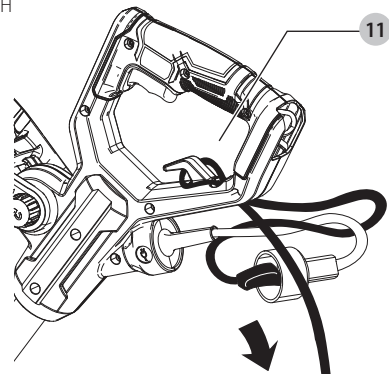


Fixation de la rallonge au coupe-bordure (Fig. H)

La poignée de l'interrupteur comporte **11** un dispositif de retenue du cordon intégré minimisant les contraintes sur la rallonge. Pour s'en servir, il suffit de plier la rallonge de la façon illustrée, à environ 30 cm (1 pi) de son extrémité, et d'insérer la boucle au bout de la poignée. Fixer la boucle ainsi formée par la rallonge sur l'ergot. Tirer doucement sur la rallonge afin de s'assurer qu'elle est bien fixée dans la poignée du coupe-bordure.

Éloigner la rallonge de l'utilisateur, de l'outil et de tout autre obstacle en tout temps. Éloigner le cordon des sources de chaleur, des flaques d'huile, de l'eau ou d'arêtes tranchantes.

Fig. H



Lame (Fig. I)

⚠ DANGER : débrancher l'outil. Attendre l'immobilisation complète de la lame.

Fixer la lame **15**, les deux calest **16**, l'écrou à tête hexagonale **17** et la rondelle conique dans l'ordre illustré. Prière de vérifier l'installation de la lame avant d'utiliser l'outil. La lame du coupe-bordure comporte deux indicateurs d'usure afin de savoir quand remplacer la lame. Lorsque la lame est usée jusqu'au petit trou à chaque extrémité de celle-ci, elle procure une coupe d'une profondeur de 6 mm (1/4 po) et il faut la remplacer.

REMARQUE : Afin de prolonger la durée de la lame, régler la profondeur de coupe au minimum pour la première coupe et augmenter le réglage de la profondeur à mesure que la lame s'use.

Remplacement de la lame

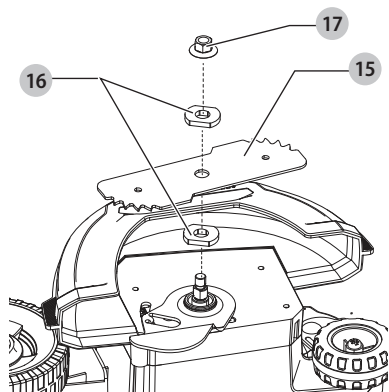
⚠ DANGER : débrancher l'outil. Attendre l'immobilisation complète de la lame.

⚠ DANGER : la lame continue de tourner pendant quelques instants après avoir relâché l'interrupteur.

1. Desserrer l'écrou à tête hexagonale (9/16 po) **17**. Se servir d'une clé de 1 po contre la rondelle extérieure **16** ou d'une pièce de bois de 2 po sur 4 po, au besoin, entre le protecteur et la lame **15** pour empêcher cette dernière de bouger.
2. Installer la cale interne sur l'arbre; les « plats » du trou de la cale doivent s'insérer sur ceux de l'arbre.
3. Tout en retenant la cale en place, placer la lame sur l'arbre de la façon illustrée (Figure I).
4. Retenir la lame contre la cale et installer la cale extérieure, toujours en alignant les « plats » de la cale sur ceux de l'arbre.
5. Installer l'écrou à tête hexagonale et la rondelle conique, puis les serrer à l'aide d'une clé.

REMARQUE : remplacer l'écrou à tête hexagonale et la rondelle conique seulement par des pièces de rechange identiques, voir la rubrique relative à l'entretien.

Fig. I



FONCTIONNEMENT

⚠ AVERTISSEMENT : afin de réduire le risque de blessure corporelle, éteignez l'appareil et débranchez-le la source d'alimentation avant d'effectuer tout ajustement ou de retirer/installer des pièces ou des accessoires. Un déclenchement accidentel du démarrage peut causer des blessures.

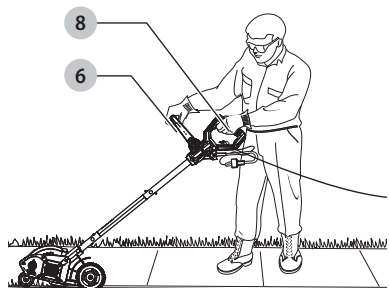
Position correcte des mains (Fig. J)

⚠ AVERTISSEMENT : pour réduire tout risque de dommages corporels graves, adopter **SYSTÉMATIQUEMENT** la position des mains illustrée.

⚠ AVERTISSEMENT : pour réduire tout risque de dommages corporels graves, maintenir **SYSTÉMATIQUEMENT** l'outil fermement pour anticiper toute réaction soudaine.

La position correcte des mains nécessite une main sur la poignée principale **8** et une main sur la poignée auxiliaire **6**.

Fig. J



Interrupteur

Mettre l'outil en MARCHÉ en appuyant sur l'interrupteur à détente. Celui-ci est conçu pour être tenu sans peine en position de marche. Pour ARRÊTER l'outil, il suffit de relâcher l'interrupteur.

NOTE : Le coupe-bordure est un appareil électrique énergivore et il ne doit pas être utilisé simultanément avec d'autres appareils électriques énergivore sur le même circuit.

Utilisation

1. Régler la profondeur de coupe à 2,5 cm (1 po) et abaisser le guide (consulter les instructions relative au **Assemblage et Ajustements**).
2. Avant de mettre l'outil en marche, le placer de sorte que le guide de rebord repose contre le bord de la surface pavée. Les deux roues arrière doivent se trouver sur la surface pavée lorsqu'on coupe la bordure.

REMARQUE : lorsqu'il y a une croissance excessive de gazon sur la surface pavée, cela peut traîner le protecteur. Une coupe initiale peut être requise avec le coupe-bordure du côté du gazon. Cela nécessitera de lever le guide de bord et peut nécessiter la réduction de la profondeur de la coupe (consultez les instructions **Pour modifier la position du guide de bord**).

3. Afin d'éviter les risques de rebond, abaisser la poignée de sorte que la lame se trouve au-dessus du sol.
4. Mettre l'outil en marche et laisser la lame tourner sans bouger l'outil.
5. Soulever doucement la poignée afin d'abaisser la lame, de trouver le rebord de la surface pavée et de commencer la coupe. On peut ensuite déplacer l'outil lentement vers l'avant le long de la surface pavée en laissant le guide reposer légèrement contre le rebord du pavé.

- Lors de la première coupe au début de la saison, il est préférable d'avancer lentement car c'est le moment où le gazon est le plus long. Par la suite, on pourra effectuer le travail plus rapidement. Lorsque le moteur ralentit, reculer de un pouce ou deux afin de permettre à la lame de reprendre sa vitesse normale. Lors de la coupe, il peut y avoir formation d'étincelles lorsque l'outil frappe des roches; il s'agit d'une situation normale. Ne pas utiliser l'outil lorsque le sol est humide ou mouillé afin d'éviter les risques de secousses électriques ainsi que l'obstruction du logement de la lame. Dans ce dernier cas, attendre l'immobilisation complète de la lame! débrancher l'outil! Ouvrir la porte et dégager l'obstruction à l'aide d'un bâton. Lorsqu'on continue de se servir d'un outil bloqué, on surcharge le moteur.

⚠ ATTENTION : ne pas tenter de nettoyer le logement de la lame en frappant l'outil contre le sol au risque de l'endommager. Éloigner les mains du guide et de la lame pendant les travaux de nettoyage car ces composantes deviennent tranchantes à l'usage.

Aménagement Paysager/Rigoles

⚠ Avertissement : avant d'effectuer des travaux d'aménagement paysager ou de couper des rigoles, s'assurer qu'il n'y a pas de fils, de tuyaux ou tout autre objet à découvert ni sous terre qui pourraient présenter des risques ou nuire au fonctionnement de l'outil. Régler à la profondeur de coupe nécessaire uniquement. Ne pas surcharger l'outil. Lorsque celui-ci ralentit, reculer légèrement et attendre que la lame tourne à son régime normal.

Rangement

⚠ Avertissement : s'assurer que l'outil est débranché.

Enlever tout débris du dessous du coupe-bordure et de l'intérieur du protecteur, puis nettoyer ces parties avant de ranger l'outil. Consulter **MAINTENANCE**. Le cas échéant, le coupe-bordure peut être rangé en le suspendant par sa poignée.

⚠ Attention : ne pas suspendre l'outil sur l'interrupteur à détente ni sur le cordon.

AVIS : ne pas ranger l'outil sur des fertilisants ou des produits chimiques, ni près de ceux-ci au risque de causer la corrosion rapide de l'outil.

Prévention de la corrosion

Des fertilisants et autres produits chimiques de jardinage renferment des agents qui peuvent grandement accélérer la corrosion des métaux. Lorsqu'on taille la bordure là où on a utilisé des fertilisants ou d'autres produits chimiques, il faut nettoyer l'outil comme suit immédiatement après s'en être servi. Nettoyer toutes les pièces à découvert à l'aide d'un chiffon humide. On peut

lubrifier les pièces métalliques seulement à l'aide d'huile de pétrole léger. Lors du nettoyage, NE PAS immerger l'outil ni l'arroser à l'aide d'un boyau.

MAINTENANCE

⚠ Avertissement : afin de réduire le risque de blessure corporelle, éteignez l'appareil et débranchez-le la source d'alimentation avant d'effectuer tout ajustement ou de retirer/installer des pièces ou des accessoires. Un déclenchement accidentel du démarrage peut causer des blessures.

Nettoyage

⚠ Avertissement : enlever les saletés et la poussière hors des événements au moyen d'air comprimé propre et sec, au moins une fois par semaine. Pour minimiser le risque de blessure aux yeux, toujours porter une protection oculaire conforme à la norme ANSI Z87.1 lors du nettoyage.

⚠ Avertissement : ne jamais utiliser de solvants ni d'autres produits chimiques puissants pour nettoyer les pièces non métalliques de l'outil. Ces produits chimiques peuvent affaiblir les matériaux de plastique utilisés dans ces pièces. Utiliser un chiffon humecté uniquement d'eau et de savon doux. Ne jamais laisser de liquide pénétrer dans l'outil et n'immerger aucune partie de l'outil dans un liquide.

Accessoires

⚠ Avertissement : puisque les accessoires autres que ceux offerts par CRAFTSMAN n'ont pas été testés avec ce produit, leur utilisation pourrait s'avérer dangereuse. Pour réduire le risque de blessures, utiliser exclusivement les accessoires CRAFTSMAN recommandés avec le présent produit.

Les accessoires recommandés pour cet outil sont vendus séparément au centre de service de votre région. Pour obtenir de l'aide concernant l'achat d'un accessoire, communiquer avec CRAFTSMAN, composer le 1-888-331-4569.

Versatrack^{MD} (Fig. K)

⚠ Avertissement : afin de réduire le risque de blessure corporelle, éteignez l'appareil et débranchez-le la source d'alimentation et avant d'effectuer tout ajustement ou de retirer/installer des pièces ou des accessoires. Un déclenchement accidentel du démarrage peut causer des blessures.

⚠ Avertissement : afin de réduire le risque de blessures graves, ne pas utiliser un crochet de suspension Versatrack^{MD} ou rail mural Versatrack^{MD} endommagé. Un crochet de suspension Versatrack^{MD} ou un rail Versatrack^{MD} endommagé ne supportera pas le poids de l'outil.

⚠ Avertissement : afin de réduire le risque de blessures graves, NE PAS suspendre l'outil au-dessus du niveau de la tête ou suspendre d'autres objets à partir du crochet de suspension. Suspendez SEULEMENT l'outil sur le rail mural Versatrack^{MD} Tà l'aide du crochet de suspension Versatrack^{MD}.

⚠ AVERTISSEMENT : le crochet de suspension intégré Versatrack™ est conçu pour installer l'outil sur le rail mural Versatrack^{MD}. Ne pas utiliser le crochet de suspension intégré pour installer l'outil sur toute autre surface.

⚠ AVERTISSEMENT : le crochet de suspension intégré Versatrack^{MD} n'est pas un crochet pour courroie.

⚠ AVERTISSEMENT : lorsque vous suspendez des objets sur un rail mural Versatrack^{MD}, distancez adéquatement les outils de sorte à ne pas excéder 35 kg (75 lb) par pied linéaire.

⚠ AVERTISSEMENT : avant d'utiliser l'outil, assurez-vous que le crochet de suspension intégré Versatrack^{MD} est revenu à sa position originale

IMPORTANT : les outils et accessoires compatibles Versatrack^{MD} se fixent de façon sécuritaire au système Versatrack^{MD} Trackwall.

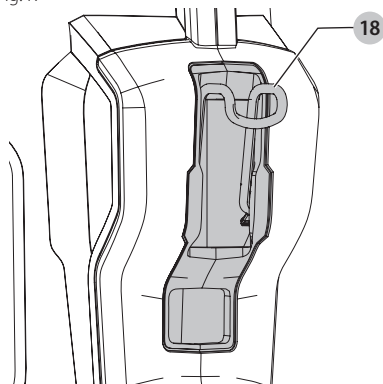
1. Éteignez l'outil et débranchez-le de l'alimentation et retirez les accessoires.

⚠ ATTENTION : tout produit avec dents coupantes exposées doit être couvert de façon sécuritaire s'il doit être mis sur le Versatrack^{MD} Trackwall.

2. Tournez ou ouvrez le crochet de suspension intégré **18**. Il clique lorsqu'il est verrouillé en place.
3. Installez le crochet de suspension intégré sur le rail mural Versatrack^{MD}.

REMARQUE : les accessoires Versatrack^{MD} pour utilisation avec cet outil sont disponibles à un coût supplémentaire chez votre détaillant local ou dans un centre de services autorisé. Si vous avez besoin d'aide pour trouver un accessoire, veuillez contacter CRAFTSMAN, appelez au **1-888-331-4569**.

Fig. K



Réparations

⚠ AVERTISSEMENT : pour assurer la SÉCURITÉ et la FIABILITÉ du produit, les réparations, l'entretien et les réglages doivent être réalisés (cela comprend l'inspection et le remplacement du balai, le cas échéant) par un centre de réparation en usine CRAFTSMAN ou un centre de réparation agréé CRAFTSMAN. Toujours utiliser des pièces de rechange identiques.

Registre en ligne

Merci pour votre achat. Enregistrez dès maintenant votre produit:

- **RÉPARATIONS SOUS GARANTIE:** cette carte remplie vous permettra de vous prévaloir du service de réparations sous garantie de façon plus efficace dans le cas d'un problème avec le produit.
- **CONFIRMATION DE PROPRIÉTÉ:** en cas de perte provoquée par un incendie, une inondation ou un vol, cette preuve de propriété vous servira de preuve auprès de votre compagnie d'assurances.
- **SÉCURITÉ:** l'enregistrement de votre produit nous permettra de communiquer avec vous dans l'éventualité peu probable de l'envoi d'un avis de sécurité régi par la loi fédérale américaine de la protection des consommateurs.

Registre en ligne à www.craftsman.com/registration

Garantie limitée de trois ans

CRAFTSMAN réparera ou remplacera sans frais tout appareil défectueux pour cause de défaut de matériel ou de main-d'œuvre sur une période de trois ans à partir de la date d'achat de l'outil. Cette garantie ne couvre pas les pièces en panne pour cause d'abus ou d'usure normale de l'outil. Pour plus de détails au sujet de la couverture de la garantie et l'information de réparation sous garantie, visitez www.craftsman.com ou composez le **1-888-331-4569**. Cette garantie ne s'applique pas aux accessoires ou dommages causés par des réparations effectuées ou tentées par d'autres. CETTE GARANTIE REMPLACE TOUTES LES AUTRES, INCLUANT LES GARANTIES IMPLICITES DE LA QUALITÉ MARCHANDE ET L'APTITUDE POUR UN BUT PARTICULIER, ET EXCLUT TOUTS LES DOMMAGES ACCIDENTELS OU CONSÉCUTIFS. Certaines provinces ne permettent pas de limitation sur la durée de la garantie implicite ou l'exclusion ou la limitation de dommages indirects, alors ces limitations peuvent ne pas s'appliquer à vous. Cette garantie vous donne des droits légaux particuliers et vous pouvez avoir d'autres droits qui varient selon les états ou les provinces.

GARANTIE DE REMBOURSEMENT DE 90 JOURS

Si l'acheteur n'est pas entièrement satisfait, pour quelque raison que ce soit, du rendement de l'outil électrique ou de la cloueuse CRAFTSMAN, celui-ci peut le retourner, accompagné d'un reçu, dans les 90 jours à compter de la

date d'achat pour obtenir un remboursement intégral, sans aucun problème.

AMÉRIQUE LATINE : cette garantie ne s'applique aux produits vendus en Amérique latine. Pour ceux-ci, veuillez consulter les informations relatives à la garantie spécifique présente dans l'emballage, appeler l'entreprise locale ou consulter le site Web pour les informations relatives à cette garantie.

REPLACEMENT GRATUIT DES ÉTIQUETTES

D'AVERTISSEMENT : si les étiquettes d'avertissement deviennent illisibles ou sont manquantes, composer le **1-888-331-4569** pour en obtenir le remplacement gratuit.

Definiciones: Símbolos y Palabras de Alerta de Seguridad

Este manual de instrucciones utiliza los siguientes símbolos y palabras de alerta de seguridad para alertarle de situaciones peligrosas y del riesgo de lesiones corporales o daños materiales.

⚠ PELIGRO: Indica una situación de peligro inminente que, si no se evita, provocará **la muerte o lesiones graves**.

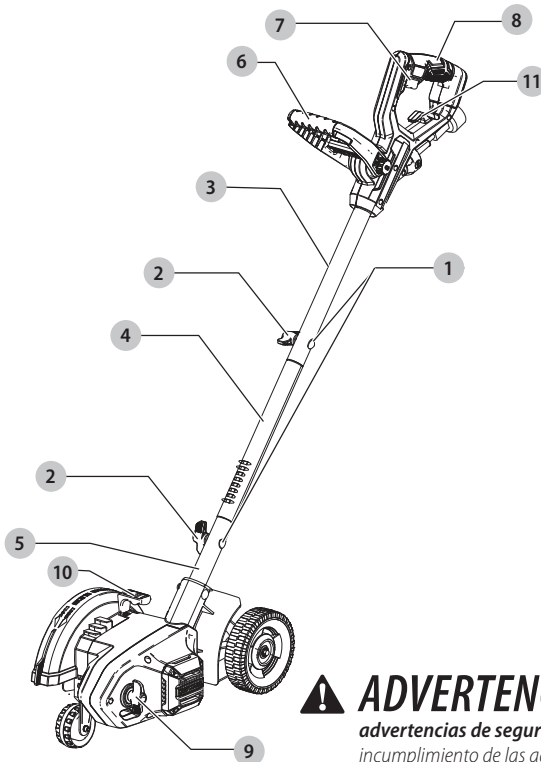
⚠ ADVERTENCIA: Indica una situación de peligro potencial que, si no se evita, **podría provocar la muerte o lesiones graves**.

⚠ ATENCIÓN: Indica una situación de peligro potencial que, si no se evita, **posiblemente provocaría lesiones leves o moderadas**.

⚠ (Utilizado sin palabras) indica un mensaje de seguridad relacionado.

AVISO: Se refiere a una práctica **no relacionada a lesiones corporales** que de no evitarse **puede resultar en daños a la propiedad**.

Fig. A



- 1 Orificio de montaje
- 2 Perilla
- 3 Tubo superior
- 4 Tubo central
- 5 Tubo inferior
- 6 Manija auxiliar
- 7 Interruptor de gatillo
- 8 Manija principal
- 9 Perilla de profundidad de corte
- 10 Palanca de guía de borde
- 11 Retenedor de cable de extensión

⚠ ADVERTENCIA: Lea todas las advertencias de seguridad e instrucciones. El incumplimiento de las advertencias e instrucciones puede provocar descargas eléctricas, incendios o lesiones graves.

⚠ ADVERTENCIA: Para reducir el riesgo de lesiones, lea el manual de instrucciones.

Si tiene alguna duda o algún comentario sobre ésta u otra herramienta CRAFTSMAN llámenos al número gratuito: 1-888-331-4569.

Bordeadora CMEED400

INSTRUCCIONES DE SEGURIDAD IMPORTANTES

⚠️ ADVERTENCIA: Para reducir el riesgo de lesiones:

- Antes de cualquier uso, asegúrese que cualquiera que use esta unidad lea y entienda todas las instrucciones de seguridad y otra información contenida en este manual.
- Conserve estas instrucciones y revíselas con frecuencia.

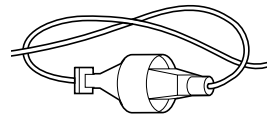
⚠️ ADVERTENCIA: Cuando use aparatos de jardinería eléctricos, siempre se deben seguir las precauciones de seguridad básica para reducir el riesgo de incendio, descarga eléctrica, y lesiones personales, incluyendo las siguientes.

1. **Evite ambientes peligrosos** – No use aparatos en ubicaciones mojadas o húmedas.
2. **No use en lluvia.**
3. **Mantenga a los niños alejados** – Todos los visitantes deben mantener una distancia del área de trabajo.
4. **Use vestimenta apropiada** – No use ropa holgada o joyería. Pueden quedar atrapados en las partes móviles. Se recomienda el uso de guantes de hule y calzado apropiado cuando trabaje en exteriores. Use una cubierta de protección para el cabello para cubrir el cabello largo.
5. **Use Gafas de seguridad** – También use una careta o máscara de polvo si la operación produce polvo.
6. **Utilice el aparato correcto** - No utilice el aparato para ningún trabajo excepto para el que está diseñado.
7. **Se debe proporcionar protección de Interruptor de circuito de falla a tierra [Ground Fault Circuit Interrupter (GFCI)] en los circuitos o tomacorrientes que se van a usar para el aparato de jardinería.** Los receptáculos están disponibles con protección GFCI integrada y pueden ser utilizados para esta medida de seguridad.
8. **ADVERTENCIA** – Para reducir el riesgo de descargas eléctricas, utilice sólo una extensión para uso exterior, como una extensión del tipo de cable SW-A, SOW-A, STW-A, STOW-A, SJW-A, SJOW-A, SJTW-A o SJTOW-A.
9. **Cable de extensión** – Asegúrese que su cable de extensión esté en buenas condiciones. Cuando use un cable de extensión asegúrese de usar uno lo suficientemente pesado para llevar la corriente que usará su producto. Un cable de extensión de tamaño inferior causará una caída en el voltaje en línea que resulta en una pérdida de energía y sobrecalentamiento. La tabla Calibre mínimo de conjuntos de cables muestra el tamaño correcto a usar dependiendo de la longitud del

cable y la clasificación de amperes de la placa de identificación. Si tiene duda, use el calibre más pesado siguiente. Mientras menor sea el número de calibre, más pesado será el cable. Para reducir el riesgo de desconexión del cable del aparato del cable de extensión durante la operación:

- i) Realice un nudo como se muestra en la Figura B; o
 - ii) Use una de las correas o conectores de retención de enchufe-receptáculo descritos en este manual.
- O
- iii) Asegure el cable de extensión al enchufe del aparato como se muestra o describe en **Montaje Y Ajustes**.

Fig. B



10. **Evite el arranque accidental** - No lleve el aparato conectado con el dedo en el gatillo. Asegúrese que el interruptor esté apagado cuando lo conecte.
11. **No abuse del cable** – Nunca jale el aparato por un cable ni lo jale para desconectarlo del tomacorriente. Mantenga el cable alejado del calor, aceite y bordes filosos.
12. **No sujete las cuchillas de corte expuestas ni los bordes de corte cuando levante o sostenga el aparato.**
13. **No fuerce el aparato** - Hará el trabajo mejor y con menos probabilidad de un riesgo de lesión en la velocidad para la que se diseñó.
14. **No se estire en exceso** – Mantenga la pisada y equilibrio adecuados en todo momento.
15. **Permanezca alerta** - Observe lo que está haciendo. Utilice el sentido común. No opere el aparato cuando esté cansado.
16. **Desconecte el aparato** – Retire la batería cuando no esté en uso, antes de realizar el mantenimiento, al cambiar accesorios tales como cuchillas, y similares.
17. **Guarde los aparatos sin uso en el interior** – Cuando no los use, los aparatos deben almacenarse en interiores en lugares secos y altos o encerrados, fuera del alcance de los niños.
18. **Mantenga el aparato con cuidado** – Mantenga el borde de corte afilado y limpio para obtener el mejor desempeño y reducir el riesgo de lesiones. Siga las instrucciones para lubricar y cambiar los accesorios. Revise la fuente de energía del aparato periódicamente y, si está dañada, pida que lo reparen en instalaciones de servicio autorizadas. Revise los cables de extensión periódicamente y reemplácelos si están dañados. .

Mantenga las manijas secas, limpias y libres de aceite y grasa.

19. **Revise las partes dañadas** – Antes de utilizar el aparato, se debe revisar cuidadosamente una protección u otra pieza que esté dañada para determinar que funcionará correctamente y cumplirá su función. Revise la alineación de las partes móviles, la unión de las partes móviles, la ruptura de partes, el montaje y cualquier otra condición que pueda afectar su operación. Una protección u otra parte que esté dañada se debe reparar o reemplazar apropiadamente por un centro de servicio autorizado, a menos que se indique en otra parte de este manual.

CONSERVE ESTAS INSTRUCCIONES

Advertencias de Seguridad Adicionales

⚠️ ADVERTENCIA: Para reducir el riesgo de lesiones por rebote, trabaje alejándose de cualquier objeto sólido cercano, como paredes, escalones, piedras grandes, árboles, etc. Tenga mucho cuidado cuando trabaje cerca de objetos sólidos o contra el viento y, en caso necesario, recorte a mano.

- **PROTECCIÓN** - No use este aparato sin la protección incluida.
- **CUCHILLA** – Mantenga el área de la cuchilla limpia.
- **MANTENGA LA CARA, LAS MANOS Y LOS PIES ALEJADOS DEL ÁREA DE CORTE EN TODO MOMENTO.**
- **MANTENGA A TODOS LOS TRANSEÚNTES ALEJADOS** - a una distancia segura del área de trabajo, especialmente a niños. ASEGÚRESE que otras personas y mascotas estén a una distancia de por lo menos 100' (30 m).
- **ANTES DE REALIZAR PAISAJISMO O TRINCHERAS,** revise si hay cables eléctricos enterrados.
- **TENGA MUCHO CUIDADO** cuando trabaje cerca de objetos sólidos y cuando sea necesario, realice el corte a mano.
- **DAÑO A LA UNIDAD** – Si golpea o se enreda con un objeto extraño, detenga el aparato inmediatamente, desconecte el cable, revise si hay daños y repare el daño antes de intentar la operación adicional.
- **NO OPERE** aparatos eléctricos portátiles en una atmósfera gaseosa o explosiva. Los motores de estos aparatos pueden producir chispas, y éstas pueden encender los vapores.
- **PERMANECA ALERTA** - No utilice esta unidad cuando esté cansado, enfermo o bajo la influencia de alcohol, drogas o medicamentos.
- **NO** sumerja el aparato en agua ni lo rocíe con una manguera.
- **NO** permita que entre ningún líquido en su interior. Si el aparato se moja, deje secar durante un mínimo de 48 horas.
- **NO** limpie con una lavadora a presión.
- **NO** guarde el aparato en o junto a fertilizantes o productos químicos.
- **NO** cargue el aparato en la lluvia o en lugares húmedos
- **PARTES DE REPUESTO:** Cuando efectúe servicio utilice únicamente refacciones idénticas.

- **NO SE SOBREEXTIENDA.** Conserve bien apoyados los pies para no perder el equilibrio.

Advertencias e Instrucciones de Seguridad: Clavijas Polarizadas

Este equipo cuenta con una clavija polarizada (con una pata más ancha que la otra) para reducir el riesgo de choque eléctrico. Este equipo debe usarse con una extensión polarizada adecuada de 2 o 3 conductores. Las conexiones polarizadas se acoplarán de una sola manera. Asegúrese de que el lado del receptáculo de la extensión tenga una ranura pequeña y otra grande. Si la clavija no se ajusta completamente a la extensión, invírtala. Si aún así no ajusta, consiga una extensión adecuada. Si la extensión no se acopla perfectamente a la toma de corriente, comuníquese con un electricista calificado para que le instale la toma de corriente adecuada. Por ningún motivo modifique la clavija del aparato o de la extensión en ninguna manera.

Instrucción Adicional de Seguridad

⚠️ ADVERTENCIA: Nunca modifique la herramienta eléctrica, ni tampoco ninguna de sus piezas. Podría producir lesiones corporales o daños.

⚠️ ADVERTENCIA: Use **SIEMPRE** lentes de seguridad. Los anteojos de diario **NO SON** lentes de seguridad. Utilice además una cubrebocas o mascarilla antipolvo si la operación de corte genera demasiado polvo. **SIEMPRE LLEVE EQUIPO DE SEGURIDAD CERTIFICADO:**

- protección ocular ANSI Z87.1 (CAN/CSA Z94.3),
- protección auditiva ANSI S12.6 (S3.19),
- protección respiratoria NIOSH/OSHA/MSHA.

⚠️ ADVERTENCIA: Algún polvo contiene químicos conocidos por el Estado de California que causan cáncer, defectos de nacimiento u otros daños reproductivos. Algunos ejemplos de estos químicos son:

- compuestos en fertilizantes,
- compuestos en insecticidas, herbicidas y pesticidas,
- arsénico y cromo a partir de madera tratada químicamente.

Para reducir su exposición a estos químicos, use equipo de seguridad aprobado, tal como máscaras de polvo que estén diseñadas específicamente para filtrar partículas microscópicas.

⚠ ADVERTENCIA: La utilización de esta herramienta puede generar polvo o dispersarlo, lo que podría causar daños graves y permanentes al sistema respiratorio, así como otras lesiones. Siempre use protección respiratoria aprobada por NIOSH (Instituto Nacional de Seguridad y Salud en el Trabajo) u OSHA (Administración de Seguridad y Salud en el Trabajo) apropiada para la exposición al polvo. Dirija las partículas en dirección contraria a la cara y el cuerpo.

⚠ ADVERTENCIA: Siempre lleve la debida protección auditiva personal en conformidad con ANSI S12.6 (S3.19) durante el uso de esta herramienta. Bajo algunas condiciones y duraciones de uso, el ruido producido por este producto puede contribuir a la pérdida auditiva.

⚠ ATENCION: Cuando no esté en uso, guarde la herramienta apoyada en un costado sobre una superficie estable, donde no interrumpa el paso o provoque una caída. Algunas herramientas pueden colocarse paradas, pero pueden caerse fácilmente.

- Los orificios de ventilación suelen cubrir piezas en movimiento, por lo que también se deben evitar. Las piezas en movimiento pueden atrapar prendas de vestir sueltas, joyas o el cabello largo.
- Los hilos del alargador deben ser de un calibre apropiado (AWG o American Wire Gauge) para su seguridad. Mientras menor sea el calibre del hilo, mayor la capacidad del cable. Es decir, un hilo calibre 16 tiene mayor capacidad que uno de 18. Un cable de un calibre insuficiente causará una caída en la tensión de la línea dando por resultado una pérdida de energía y sobrecalentamiento. Cuando se utilice más de un alargador para completar el largo total, asegúrese que los hilos de cada alargador tengan el calibre mínimo. La tabla siguiente muestra el tamaño correcto a utilizar, dependiendo de la longitud del cable y del amperaje nominal de la placa de identificación. Si tiene dudas sobre cuál calibre usar, use un calibre mayor. Cuanto menor sea el número del calibre, más resistente será el cable.

Calibre mínimo de conjuntos de cables

Voltios	Longitud total del cable en pies (metros)				
	120 V	25 (7,6)	50 (15,2)	100 (30,5)	150 (45,7)
240 V	50 (15,2)	100 (30,5)	200 (61,0)	300 (91,4)	
Amperaje nominal	AWG				
	Más de	Más de	Más de	Más de	
0	6	18	16	16	14
6	10	18	16	14	12
10	12	16	16	14	12
12	16	14	12	No recomendado	

La etiqueta de su herramienta puede incluir los siguientes símbolos. A continuación se indican los símbolos y sus definiciones:

- V voltios
- Hz hertz
- min minutos
- — — or DC..... direct current
- Ⓢ Construcción de Clase I (tierra)
- ... /min..... por minuto
- BPM golpes por minuto
- IPM impactos por minuto
- RPM revoluciones por minuto
- sfpm pies de superficie por minuto
- SPM pasadas por minuto
- OPM..... oscilaciones por minuto
- A amperios
- W vatios
- ~ or AC..... corriente alterna
- ⎓ or AC/DC... corriente alterna o directa
- Ⓢ Construcción de Clase II (doble aislamiento)
- v_0 velocidad sin carga
- IPXX..... símbolo IP
- n velocidad nominal
- Ⓢ terminal de conexión a tierra
- ⚠ símbolo de advertencia de seguridad
- ⚠ radiación visible
- Ⓢ protección respiratoria
- Ⓢ protección ocular
- Ⓢ protección auditiva
- 📖 lea toda la documentación

Uso Debido

Esta bordeadora está diseñada para uso doméstico.

NO use en condiciones húmedas ni en presencia de líquidos o gases inflamables.

NO permita que los niños toquen la herramienta. Si el operador no tiene experiencia operando esta herramienta, su uso deberá ser supervisado.

Motor

Asegúrese de que la fuente de energía concuerde con lo que se indica en la placa. Un descenso en el voltaje de más del 10% producirá una pérdida de potencia y sobrecalentamiento. Todas las herramientas son probadas en fábrica; si esta herramienta no funciona, verifique el suministro eléctrico.

MONTAJE Y AJUSTES

⚠ ADVERTENCIA: Para reducir el riesgo de lesiones personales, apague la unidad y desconéctela de la fuente de energía antes de realizar cualquier ajuste o retirar/instalar conexiones o accesorios. Una activación de arranque accidental puede causar lesiones.

⚠ PELIGRO: DESCONECTE LA HERRAMIENTA!
¡Espere a que la cuchilla se detenga por completo!

Ensamblaje del Mango (Fig. C, D, G)

1. Retire las perillas 2 y los tornillos de cabeza curva 13 de los orificios de montaje del tubo del mango.

ESPAÑOL

2. Quite la cinta que sujeta el cable interno con cubierta a los tubos.
3. Deslice el tubo medio **4** dentro del tubo superior **3** y sujete los dos tubos del mango juntos con la perilla y el perno de cabeza curva. Tenga en cuenta que la primera vez que introduzca el perno deberá moverlo gradual y cuidadosamente hasta que pase el cable con cubierta dentro del tubo. Existen dos posiciones de ajuste de altura disponibles, de modo que pueda elegir el que desea. Vea la Figura G para conocer la orientación del mango superior. Asegúrese de que el cable se introduzca suavemente dentro de los tubos del mango mientras realiza el montaje.
4. Para retirar el exceso de cable, empujelo hacia abajo de manera que ingrese en el tubo inferior. Deslice el tubo medio dentro del tubo inferior por la ranura hasta el tope. Con la perilla y el perno de cabeza curva restantes, sujete los tubos del mango juntos. Tenga en cuenta que la primera vez que introduzca el perno deberá moverlo gradual y cuidadosamente hasta que pase el cable con cubierta dentro del tubo.

⚠ ATENCION: *NUNCA utilice un objeto afilado para mover los cables recubiertos.*

Fig. C

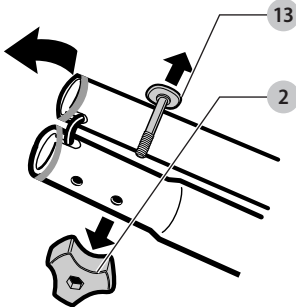
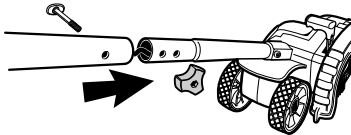


Fig. D



Colocación del Mango Auxiliar (Fig. E)

Para algunos modelos, es posible que sea necesario colocar la manija auxiliar. Si el modelo necesita la manija auxiliar conectada, consulte estas instrucciones.

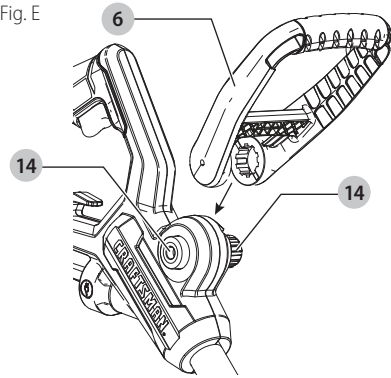
1. Para colocar el manija auxiliar **6**, presione los botones **14** de ambos lados de la cubierta superior como se muestra en la Figure E.
2. Coloque el mango como se muestra en la Figure E. Presione parcialmente el mango de manera que se retengan los botones cuando los suelta con su mano.

3. Presione completamente el mango sobre la cubierta y muévalo ligeramente hasta que lo oiga encajar en su lugar.

NOTA: Para ajustar el mango hacia arriba o hacia abajo, presione el botón y eleve o baje el mango.

NOTA: El mango se debe ajustar de manera que el brazo delantero esté recto cuando la podadora esté en posición de trabajo.

Fig. E



Ajuste de profundidad de corte (Fig. A, F)

Cambie la profundidad de corte de la posición en que viene a la altura que desee:

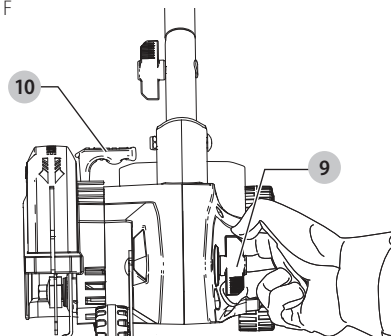
1. Espere a que la cuchilla se detenga por completo.
2. Desconecte la herramienta.
3. Afloje la perilla de profundidad de corte **9**.
4. Ajuste la profundidad de la rueda, utilizando el indicador de profundidad del soporte de la rueda y la marca de la carcasa frontal.

NOTA: Se recomienda una profundidad de 25 mm (1") para orillar.

5. Apriete la perilla con firmeza.

NOTA: Las hierbas gruesas pueden atascarse en la guarda. Reduzca la profundidad de corte al mínimo para ayudarse a reducir este efecto.

Fig. F



Guía para bordes plegable (Fig. F, G)

La guía para bordes es útil para cortar en línea recta a lo largo de las aceras. Para zanjar, la guía puede interferir con el movimiento de la orilladora en suelo duro o tierra herbosa.

La guía para bordes puede ajustarse de manera que la herramienta desempeñe funciones de ZANJADO.

Para cambiar la posición de la guía de borde

Paisajismo

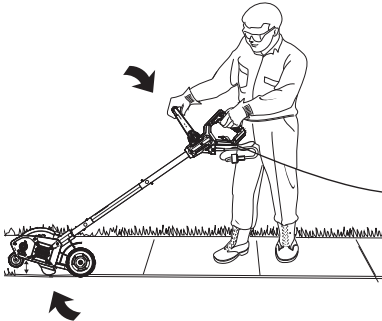
Jale la perilla de guía de borde **10** (Fig. F) a los lados para desbloquear de la lengüeta de la protección en dirección de la flecha pequeña. Levante la perilla hasta que la ranura cuadrada inferior de la palanca se alinee con la lengüeta en la protección. En esta posición, la guía de borde se levanta de forma que la herramienta pueda cortar fácilmente a lo largo de los bordes de las macetas y jardineras, y alrededor de árboles en preparación para trincheras o remoción de césped.

Trincheras

Para regresar la guía de borde a la posición inferior, jale la palanca a los lados y empuje hacia abajo hasta que la lengüeta de la protección se conecte en el orificio de la palanca superior.

NOTA: Puede necesitar inclinar la bordeadora hacia atrás para permitir que la guía de borde se mueva en la posición de trinchera (Fig. G).

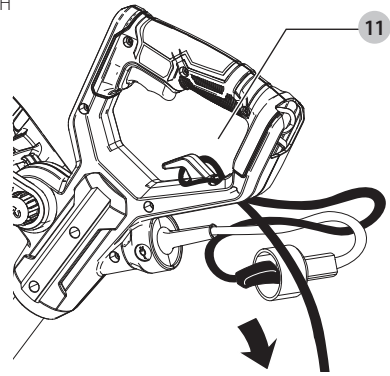
Fig. G



Instalación de la Extensión en la Orilladora (Fig. H)

El mango del interruptor cuenta con un retén para el cable de extensión integrado para reducir la tensión en el cable de alimentación. Para utilizar este dispositivo, simplemente doble el cable de extensión como se muestra, aproximadamente 30 cm (1') del extremo, e insértelo en el extremo del mango. Enganche el rizo formado al doblar el cable en la lengüeta. Tire suavemente del cable para asegurarse de que esté retenido con firmeza en el mango. Conserve siempre el cable de extensión alejado del operador, la unidad y cualquier obstáculo. No exponga el cable a calor, agua o bordes afilados.

Fig. H



Cuchilla (Fig. I)

⚠ PELIGRO: ¡Desconecte la herramienta!
¡Espere a que la cuchilla se detenga por completo!

La cuchilla **15**, dos separadores **16** y una tuerca con roldana cónica **17** deben instalarse en su orilladora en el orden que se muestra. Por favor revise que la cuchilla se monte apropiadamente antes de usar su orilladora. La cuchilla coupe-bordure viene con dos indicadores de desgaste para ayudarle a saber cuando reemplazarla. Cuando la cuchilla se desgaste hasta el pequeño orificio que se encuentra en cada extremo, le proporcionará una profundidad de corte de 6 mm (1/4") y deberá reemplazarla. **NOTA:** Para aumentar la duración de la cuchilla, conserve la profundidad de corte inicial al mínimo y aumentela al desgastarse la cuchilla.

Reemplazo de la cuchilla

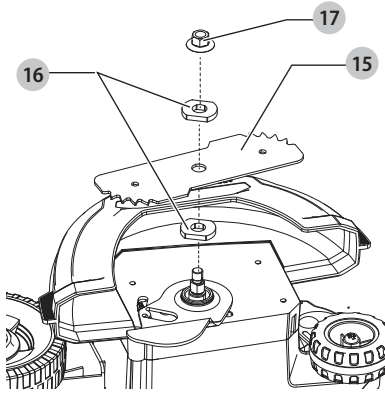
⚠ PELIGRO: Desconecte la herramienta.
¡Espere a que la cuchilla se detenga por completo.

⚠ PELIGRO: La cuchilla gira momentáneamente después de liberar el interruptor.

1. Afloje la tuerca hexagonal de **17** 9/16". Utilice una llave de 1" en el separador exterior **16** o un bloque de madera de 5 x 10 cm entre la cuchilla **15** y la guarda en caso necesario para evitar que gire.
2. Coloque el separador interior en la flecha— los "planos" del orificio del separador deben empataarse con los "planos" de la flecha.
3. Sujete el separador en su sitio, coloque la cuchilla en la flecha, como se ilustra. (Fig. I)
4. Sujete la cuchilla contra el separador e instale el separador externo, de nuevo alineando los planos del separador con los de la flecha.
5. Instale la tuerca y la roldana cónica y apriete con una llave.

NOTA: Reemplace la tuerca hexagonal y la roldana cónica únicamente con repuestos idénticos, consulte la información de servicio.

Fig. I



NOTA: Su orilladora es un aparato mayor y no debe operarse simultáneamente con otros aparatos mayores en el mismo circuito doméstico.

Uso

1. Fije la profundidad de corte a 25 mm (1") y ajuste la guía de orillado en la posición baja, consulte las instrucciones de **Montaje y Ajustes**.

2. Antes de encender la orilladora, coloque la herramienta de manera que la guía para bordes descansa contra la orilla de la superficie pavimentada. Ambas ruedas traseras deben quedar sobre la superficie pavimentada al orillar.

NOTA: Cuando hay un crecimiento excesivo de hierba sobre la superficie pavimentada, puede arrastrar la guarda. Es posible que se requiera un corte inicial con la bordeadora en el lado del césped. Esto requerirá levantar la guía de borde y puede requerir reducir la profundidad de corte (consulte las instrucciones **Para cambiar la posición de la guía de borde**).

- 3. Para evitar un contragolpe por parte de la orilladora, incline el mango hacia abajo de manera que la cuchilla quede sobre la tierra.
- 4. ENCIENDA el interruptor y permita que la cuchilla gire sin mover la herramienta.
- 5. Levante lentamente el mango para bajar la cuchilla, encontrando la orilla de la superficie pavimentada y comience a orillar. Mueva a continuación la herramienta lentamente hacia adelante a lo largo de la superficie pavimentada, conservando la guía para bordes presionando ligeramente contra la orilla del pavimento.

- Para el primer orillado de cada temporada, es mejor moverse hacia adelante lentamente debido a que el pasto es más grueso entonces. Los orillados subsecuentes se completarán más rápidamente. Si la herramienta funciona más lento, regrese una o dos pulgadas hasta que la cuchilla alcance la velocidad normal. Durante el orillado se pueden generar algunas chispas cuando la cuchilla golpea algunas piedras. Esto es normal. No intente orillar cuando el pasto o el suelo estén húmedos o mojados—por seguridad eléctrica y para evitar que la cámara de la cuchilla se bloquee. Si debe trabajar en condiciones que ocasionen que la cámara de la cuchilla se bloquee, desconecte la herramienta y retire el material atascado con una vara. Continuar operando la herramienta con la cámara bloqueada sobrecargará seriamente el motor.

OPERACIÓN

⚠ ADVERTENCIA: Para reducir el riesgo de lesiones personales, apague la unidad y desconéctela de la fuente de energía antes de realizar cualquier ajuste o retirar/instalar conexiones o accesorios. Una activación de arranque accidental puede causar lesiones.

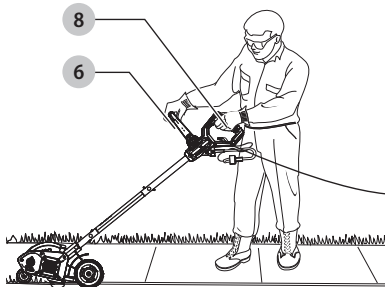
Posición Adecuada de las Manos (Fig. J)

⚠ ADVERTENCIA: Para reducir el riesgo de lesión personal grave, tenga **SIEMPRE** las manos en una posición adecuada como se muestra.

⚠ ADVERTENCIA: Para reducir el riesgo de lesión personal grave, sujete **SIEMPRE** bien en caso de que haya una reacción repentina.

La posición de manos adecuada requiere una mano en el mango principal **8** y una mano en el mango auxiliar **6**.

Fig. J



Interruptor (Fig. A)

Para ENCENDER la herramienta oprima el gatillo interruptor. El gatillo está diseñado para que sea muy fácil sujetarlo en posición de ENCENDIDO. Para APAGAR la herramienta, suelte el gatillo.

⚠ ATENCIÓN: No intente destapar la cámara de la cuchilla dejando caer o golpeando la herramienta en el suelo. Esto puede dañar la unidad. Conserve sus manos fuera de la zona de la guía de bordes y la cuchilla cuando limpie, ya que estas partes se desgastan a un punto muy afilado con el orillado.

Recorte/Zanjado

⚠️ ADVERTENCIA: Antes de recortar o zanjear, inspeccione y asegúrese de que no haya cables expuestos o enterrados, tuberías u otros objetos que puedan crear peligro o interfieran con la operación de la orilladora. Ajuste la profundidad para lo que requiera el trabajo. No seobrecarque el aparato. Si baja la velocidad, tire de éste hacia atrás ligerametne y espere a que la cuchilla alcance la velocidad normal.

Guardado

⚠️ ADVERTENCIA: Asegúrese de que la herramienta esté desconectada.

Retire y limpie cualquier desecho del exterior de la orilladora y del interior de la guarda antes de guardarla. Consulte la sección de **MANTENIMIENTO**. En caso necesario, la orilladora debe guardarse colgando el mango de un gancho.

⚠️ ATENCIÓN: ¡NO CUELQUE LA ORILLADORA DEL INTERRUPTOR NI DEL CABLE DE ALIMENTACION!

AVISO: No guarde la herramienta cerca de fertilizantes y otros productos químicos, ya que hacerlo ocasionará una rápida corrosión.

Evite la Corrosión

Los fertilizantes y otros productos químicos de jardinería contienen agentes que aceleran la corrosión de los metales. Si usted utiliza la herramienta en áreas en donde se han usado fertilizantes o productos químicos, la herramienta deberá limpiarse inmediatamente después. Limpie todas las partes expuestas con un trapo húmedo.

Cuando limpie, NO sumerja la herramienta en agua ni la rocíe con una manguera.

MANTENIMIENTO

⚠️ ADVERTENCIA: Para reducir el riesgo de lesiones personales, apague la unidad y desconéctela de la fuente de energía antes de realizar cualquier ajuste o retirar/instalar conexiones o accesorios. Una activación de arranque accidental puede causar lesiones.

Limpieza

⚠️ ADVERTENCIA: Sople la suciedad y el polvo de todos los conductos de ventilación con aire seco, al menos una vez por semana. Para reducir el riesgo de lesiones, utilice siempre protección para los ojos aprobada ANSI Z87.1 al realizar esta tarea.

⚠️ ADVERTENCIA: Nunca utilice solventes ni otros químicos abrasivos para limpiar las piezas no metálicas de la herramienta. Estos productos químicos pueden debilitar los materiales plásticos utilizados en estas piezas. Utilice un paño humedecido sólo con agua y jabón neutro. Nunca permita que penetre líquido dentro de la herramienta ni sumerja ninguna de las piezas en un líquido.

Accesorios

⚠️ ADVERTENCIA: Debido a que no se han probado con este producto otros accesorios que no sean los que ofrece CRAFTSMAN, el uso de dichos accesorios con esta herramienta podría ser peligroso. Para reducir el riesgo de lesiones, con este producto deben usarse sólo los accesorios recomendados por CRAFTSMAN.

Los accesorios que se recomiendan para utilizar con la herramienta están disponibles a un costo adicional en su distribuidor local o en un centro de mantenimiento autorizado. Si necesita ayuda para localizar algún accesorio, póngase en contacto con CRAFTSMAN, llame al 1-888-331-4569.

Versatrack™ (Fig. K)

⚠️ ADVERTENCIA: Para reducir el riesgo de lesiones personales, apague la unidad y desconéctela de la fuente de energía antes de realizar cualquier ajuste o retirar/instalar conexiones o accesorios. Una activación de arranque accidental puede causar lesiones.

⚠️ ADVERTENCIA: Para reducir el riesgo de lesiones personales graves, no use un gancho para colgar Versatrack™ o Trackwall de Versatrack™ dañados. Un gancho para colgar Versatrack™ o Trackwall de Versatrack™ dañados no soportarán el peso de la herramienta.

⚠️ ADVERTENCIA: Para reducir el riesgo de lesiones personales graves, NO suspenda la herramienta por encima ni cuelgue objetos del gancho. SÓLO suspenda la herramienta en el Trackwall de Versatrack™ con el gancho para colgar Versatrack™.

⚠ ADVERTENCIA: *El gancho integral para colgar Versatrack™ está diseñado para montar la herramienta en un riel Trackwall de Versatrack™. No use el gancho de colgar integral para montar la herramienta en ninguna otra superficie.*

⚠ ADVERTENCIA: *El gancho de colgar integral Versatrack™ no es un gancho de cinturón.*

⚠ ADVERTENCIA: *Cuando cuelgue objetos en el riel Trackwall de Versatrack™, espacie adecuadamente las herramientas para no exceder 35 kg (75lb) por pie lineal.*

⚠ ADVERTENCIA: *Antes de usar la herramienta, asegúrese que el gancho de colgar integral Versatrack™ vuelva a su posición original*

IMPORTANTE: Los accesorios Versatrack™ montan herramientas compatibles con seguridad al sistema Trackwall de Versatrack™.

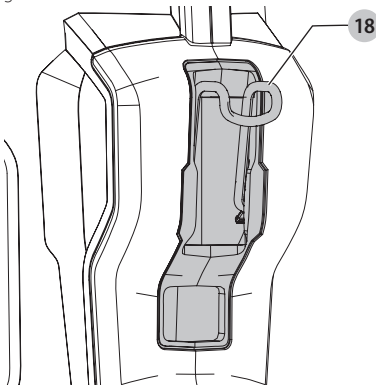
1. Apague la herramienta, retire los accesorios y desconéctelo de la fuente de alimentación.

⚠ ATENCIÓN: *Cualquier producto con dientes de corte expuestos debe tenerlos cubiertos de forma segura si va a estar en el Trackwall de Versatrack™.*

2. Voltee o abra el gancho de colgar integral **18**. Hace clic cuando está bloqueado en su posición.
3. Monte el gancho de colgar integral en el Trackwall de Versatrack™.

NOTA: Los accesorios Versatrack™ para uso con su herramienta están disponibles por un costo adicional a partir de su distribuidor local o centro de servicio autorizado. Si necesita ayuda para encontrar cualquier accesorio, comuníquese con CRAFTSMAN, llame al **1-888-331-4569**.

Fig. K



Reparaciones

⚠ ADVERTENCIA: *Para asegurar la SEGURIDAD y la CONFIABILIDAD del producto, las reparaciones, el mantenimiento y los ajustes (inclusive la inspección y el cambio de las escobillas, cuando proceda) deben ser realizados en un centro de mantenimiento en la fábrica CRAFTSMAN u en un centro de mantenimiento autorizado CRAFTSMAN. Utilice siempre piezas de repuesto idénticas.*

Para reparación y servicio de sus herramientas eléctricas, favor de dirigirse al Centro de Servicio más cercano

CULIACAN, SIN

Bld. Emiliano Zapata 5400-1 Poniente Col. (667) 717 89 99
San Rafael

GUADALAJARA, JAL

Av. La Paz #1779 - Col. Americana Sector (33) 3825 6978
Juárez

MEXICO, D.F.

Eje Central Lázaro Cárdenas No. 18 - Local (55) 5588 9377
D, Col. Obrera

MERIDA, YUC

Calle 63 #459-A - Col. Centro (999) 928 5038

MONTERREY, N.L.

Av. Francisco I. Madero 831 Poniente - Col. (818) 375 23 13
Centro

PUEBLA, PUE

17 Norte #205 - Col. Centro (222) 246 3714

QUERETARO, QRO

Av. San Roque 274 - Col. San Gregorio (442) 2 17 63 14

SAN LUIS POTOSI, SLP

Av. Universidad 1525 - Col. San Luis (444) 814 2383

TORREON, COAH

Bld. Independencia, 96 Pte. - Col. Centro (871) 716 5265

VERACRUZ, VER

Prolongación Díaz Mirón #4280 - Col. (229) 921 7016
Remes

VILLAHERMOSA, TAB

Constitución 516-A - Col. Centro (993) 312 5111

PARA OTRAS LOCALIDADES:

Si se encuentra en México, por favor llame al (55) 5326 7100

Si se encuentra en U.S., por favor llame al 1-888-331-4569

Póliza de Garantía

IDENTIFICACIÓN DEL PRODUCTO:

Sello o firma del Distribuidor.

Nombre del producto: _____

Mod./Cat.: _____

Marca: _____

Núm. de serie: _____

(Datos para ser llenados por el distribuidor)

Fecha de compra y/o entrega del producto: _____

Nombre y domicilio del distribuidor donde se adquirió el producto: _____

Este producto está garantizado por un año a partir de la fecha de entrega, contra cualquier defecto en su funcionamiento, así como en materiales y mano de obra empleados para su fabricación. Nuestra garantía incluye la reparación o reposición del producto y/o componentes sin cargo alguno para el cliente, incluyendo mano de obra, así como los gastos de transportación razonablemente erogados derivados del cumplimiento de este certificado. Para hacer efectiva esta garantía deberá presentar su herramienta y esta póliza sellada por el establecimiento comercial donde se adquirió el producto, de no contar con ésta, bastará la factura de compra.

Excepciones

Esta garantía no será válida en los siguientes casos:

- Cuando el producto se hubiese utilizado en condiciones distintas a las normales;
- Cuando el producto no hubiese sido operado de acuerdo con el instructivo de uso que se acompaña;
- Cuando el producto hubiese sido alterado o reparado por personas distintas a las enlistadas al final de este certificado.

Anexo encontrará una relación de sucursales de servicio de fábrica, centros de servicio autorizados y franquiciados en la República Mexicana, donde podrá hacer efectiva su garantía y adquirir partes, refacciones y accesorios originales.

Solamente para propósito de México:

Importado por: Craftsman. Tool Co. S.A. de C.V.
Avenida Antonio Dovali Jaime, # 70 Torre B Piso 9
Colonia La Fe, Santa Fé
Código Postal : 01210
Delegación Alvaro Obregón
México D.F.
Tel. (52) 555-326-7100
R.F.C.: BDE810626-1W7

Registro en Línea

Gracias por su compra. Registre su producto ahora para:

- **SERVICIO EN GARANTÍA:** Si completa esta tarjeta, podrá obtener un servicio en garantía más eficiente, en caso de que exista un problema con su producto.
- **CONFIRMACIÓN DE PROPIEDAD:** En caso de una pérdida que cubra el seguro, como un incendio, una inundación o un robo, el registro de propiedad servirá como comprobante de compra.
- **PARA SU SEGURIDAD:** Si registra el producto, podremos comunicarnos con usted en el caso

improbable que se deba enviar una notificación de seguridad conforme a la Federal Consumer Safety Act (Ley Federal de Seguridad de Productos para el Consumidor).

- Registro en línea en www.craftsman.com/registration.

Garantía Limitada por Tres Años

CRAFTSMAN reparará o reemplazará, sin cargo, cualquier defecto debido a materiales o mano de obra defectuosos por tres años desde la fecha de compra. Esta garantía no cubre falla de partes debido al desgaste normal o abuso de la herramienta. Para detalles adicionales de la cobertura de la garantía e información de reparación de garantía, visite www.craftsman.com o llame al **1-888-331-4569**. Esta garantía no se aplica a accesorios o daño causado cuando otros hayan realizado o intentado reparaciones. ESTA GARANTÍA LIMITADA SE OTORGA EN LUGAR DE TODAS LAS DEMÁS, INCLUIDA LA GARANTÍA IMPLÍCITA DE COMERCIABILIDAD E IDONEIDAD PARA UN PROPÓSITO EN PARTICULAR, Y EXCLUYE TODOS LOS DAÑOS INCIDENTALES O EN CONSECUENCIA. Algunos estados no permiten limitaciones sobre la duración de una garantía implícita o la exclusión o limitación de daños incidentales o en consecuencia, por lo que estas limitaciones pueden no aplicarse en su caso. Esta garantía le da derechos legales específicos y puede tener otros derechos que varían en ciertos estados o provincias

GARANTÍA DE REEMBOLSO DE SU DINERO POR 90 DÍAS

Si no está completamente satisfecho con el desempeño de su máquina herramienta o clavadora CRAFTSMAN, cualquiera sea el motivo, podrá devolverlo hasta 90 días de la fecha de compra con su recibo y obtener el reembolso completo de su dinero – sin necesidad de responder a ninguna pregunta.

AMÉRICA LATINA: Esta garantía no se aplica a los productos que se venden en América Latina. Para los productos que se venden en América Latina, debe consultar la información de la garantía específica del país que viene en el empaque, llamar a la compañía local o visitar el sitio Web a fin de obtener esa información.

REEMPLAZO GRATUITO DE LAS ETIQUETAS DE

ADVERTENCIAS: Si sus etiquetas de advertencia se vuelven ilegibles o faltan, llame al **1-888-331-4569** para que se le reemplacen gratuitamente.

