

# CRAFTSMAN®

INSTRUCTION MANUAL

GUIDE D'UTILISATION

MANUAL DE INSTRUCCIONES

## **20V Brushless Belt Sander** **Ponceuse à bande 20 V sans balais** **Lijadora de banda sin escobillas 20V**

**CMCW223**



IF YOU HAVE QUESTIONS OR COMMENTS, CONTACT US.  
POUR TOUTE QUESTION OU TOUT COMMENTAIRE, NOUS CONTACTER.  
SI TIENE DUDAS O COMENTARIOS, CONTÁCTENOS.

**1-888-331-4569**

**WWW.CRAFTSMAN.COM**

---

English (**original instructions**)

5

---

Français (*traduction de la notice d'instructions originale*)

14

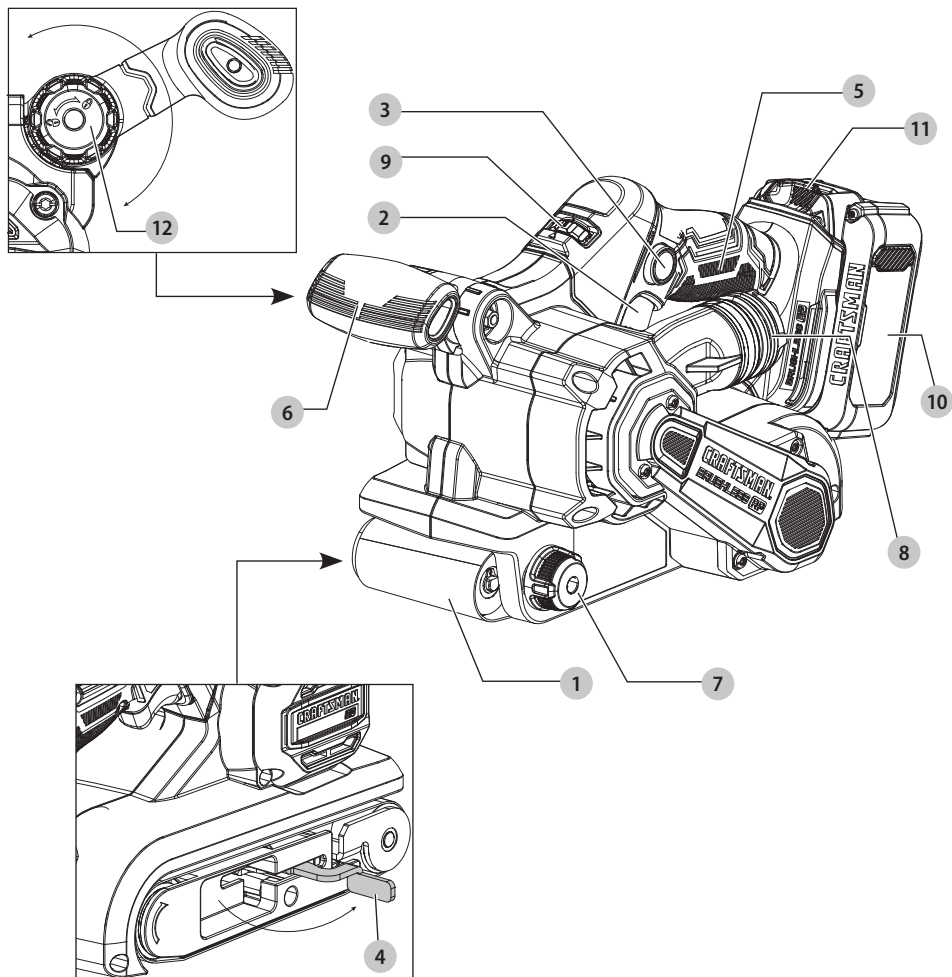
---

Español (*traducido de las instrucciones originales*)

24

---

Fig. A



- 1 Sanding belt
- 2 Trigger
- 3 Lock-on button
- 4 Quick release lever
- 5 Main handle
- 6 Three position handle
- 7 Belt tracking adjustment knob
- 8 Dust exhaust port
- 9 Variable speed dial
- 10 Battery pack (not included)
- 11 Battery pack release button
- 12 Locking position dial

- 1 Bande abrasive
- 2 Gâchette
- 3 Bouton de verrouillage
- 4 Levier de déblocage rapide
- 5 Poignée principale
- 6 Poignée à trois positions
- 7 Molette de réglage du suivi de la bande
- 8 Orifice de sortie de la poussière
- 9 Cadran de vitesse variable
- 10 Bloc-piles (non inclus)
- 11 Bouton de libération du bloc-piles
- 12 Cadran de position de verrouillage

- 1 Banda de lijado
- 2 Gatillo
- 3 Botón de bloqueo de encendido
- 4 Palanca de liberación rápida
- 5 Manija principal
- 6 Manija de tres posiciones
- 7 Perilla de ajuste de rastreo de banda
- 8 Puerto de escape de polvo
- 9 Carátula de velocidad variable
- 10 Paquete de batería (no incluido)
- 11 Botón de liberación de paquete de batería
- 12 Carátula de posición de bloqueo

Fig. B

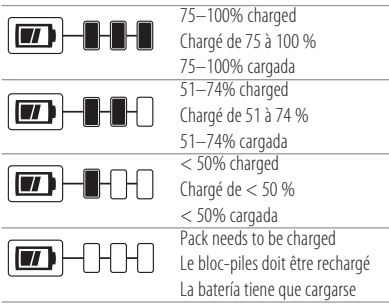


Fig. C

Indicators for all chargers except CMCB101  
Indicateurs pour tous les chargeurs sauf CMCB101  
Indicadores para todos los cargadores excepto CMCB101

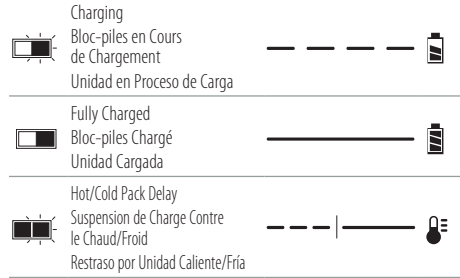


Fig. D

Only CMCB101 Charger Indicators  
Seulement les voyants de chargeur CMCB101  
Indicadores únicamente para cargador CMCB101

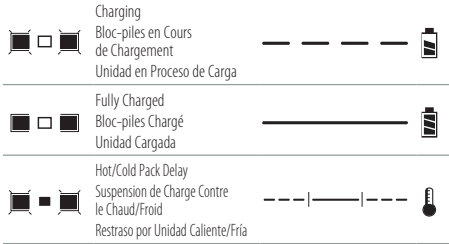


Fig. E

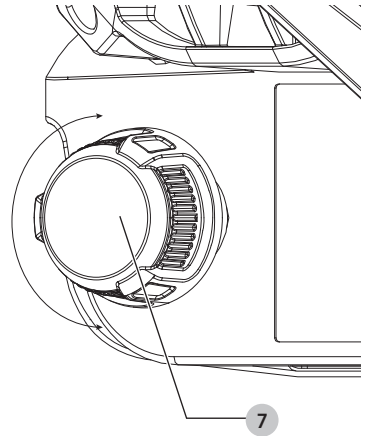


Fig. F

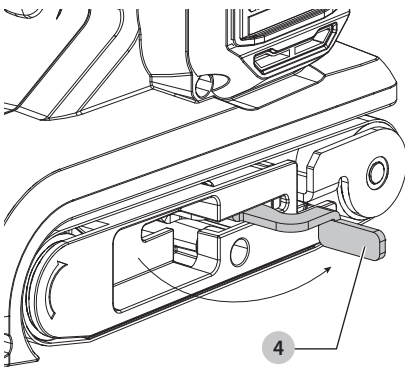


Fig. G

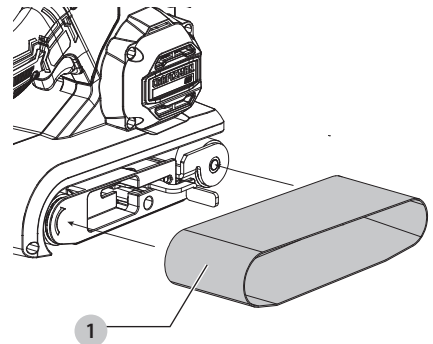


Fig. H

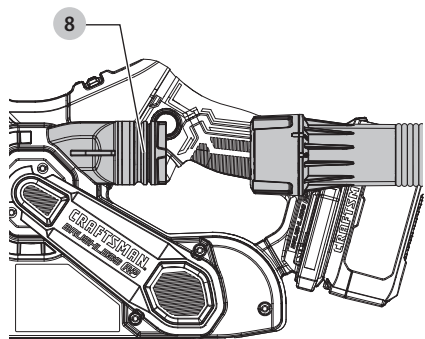


Fig. I

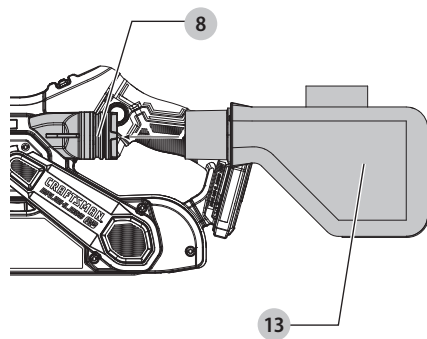


Fig. J

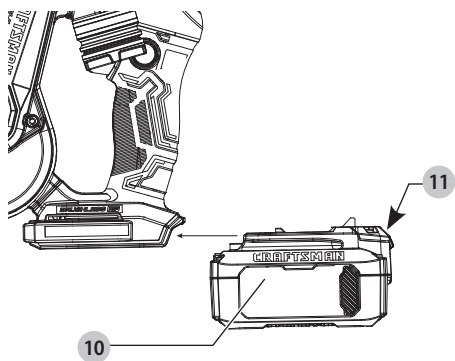


Fig. K

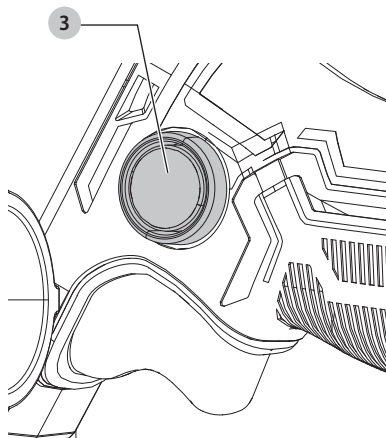


Fig. L

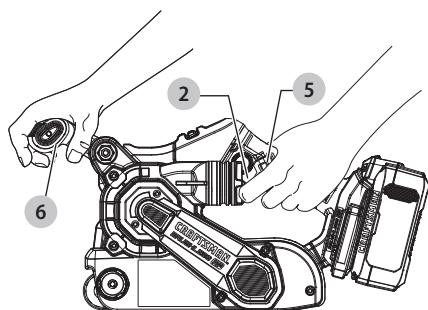


Fig. M

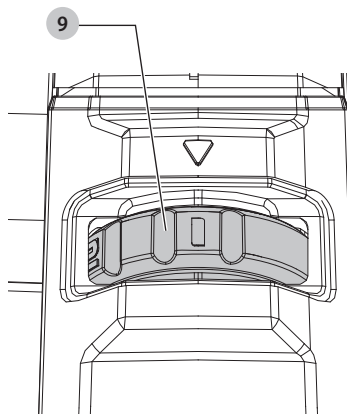
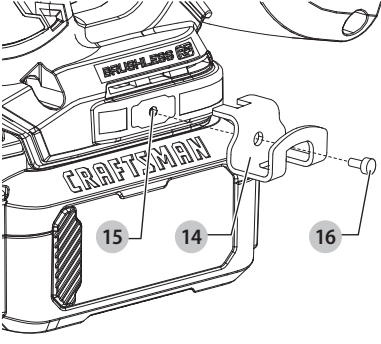


Fig. N





**WARNING:** Read all safety warnings and all instructions. Failure to follow the warnings and instructions may result in electric shock, fire and/or serious injury.



**WARNING:** To reduce the risk of injury, read the instruction manual.

## Intended Use

This belt sander is designed for sanding wood, metal, plastic and painted surfaces.

This belt sander is a professional power tool.

**DO NOT** use under wet conditions or in presence of flammable liquids or gases.

**DO NOT** let children come into contact with the tool. Supervision is required when inexperienced operators use this tool.

## Definitions: Safety Alert Symbols and Words

This instruction manual uses the following safety alert symbols and words to alert you to hazardous situations and your risk of personal injury or property damage.



**DANGER:** Indicates an imminently hazardous situation which, if not avoided, **will** result in **death or serious injury**.



**WARNING:** Indicates a potentially hazardous situation which, if not avoided, **could** result in **death or serious injury**.



**CAUTION:** Indicates a potentially hazardous situation which, if not avoided, **may** result in **minor or moderate injury**.



**NOTICE:** Indicates a practice **not related to personal injury** which, if not avoided, **may** result in **property damage**.

(Used without word) Indicates a safety related message.

## GENERAL POWER TOOL SAFETY WARNINGS



**WARNING:** Read all safety warnings, instructions, illustrations and specifications provided with this power tool. Failure to follow all instructions listed below may result in electric shock, fire and/or serious injury.

### SAVE ALL WARNINGS AND INSTRUCTIONS FOR FUTURE REFERENCE.

The term "power tool" in the warnings refers to your mains-operated (corded) power tool or battery-operated (cordless) power tool.

### 1) Work Area Safety

- Keep work area clean and well lit.** Cluttered or dark areas invite accidents.
- Do not operate power tools in explosive atmospheres, such as in the presence of flammable liquids, gases or dust.** Power tools create sparks which may ignite the dust or fumes.

- Keep children and bystanders away while operating a power tool.** Distractions can cause you to lose control.

### 2) Electrical Safety

- Power tool plugs must match the outlet. Never modify the plug in any way. Do not use any adapter plugs with earthed (grounded) power tools.** Unmodified plugs and matching outlets will reduce risk of electric shock.
- Avoid body contact with earthed or grounded surfaces, such as pipes, radiators, ranges and refrigerators.** There is an increased risk of electric shock if your body is earthed or grounded.
- Do not expose power tools to rain or wet conditions.** Water entering a power tool will increase the risk of electric shock.
- Do not abuse the cord. Never use the cord for carrying, pulling or unplugging the power tool. Keep cord away from heat, oil, sharp edges or moving parts.** Damaged or entangled cords increase the risk of electric shock.
- When operating a power tool outdoors, use an extension cord suitable for outdoor use.** Use of a cord suitable for outdoor use reduces the risk of electric shock.
- If operating a power tool in a damp location is unavoidable, use a ground fault circuit interrupter (GFCI) protected supply.** Use of a GFCI reduces the risk of electric shock.

### 3) Personal Safety

- Stay alert, watch what you are doing and use common sense when operating a power tool. Do not use a power tool while you are tired or under the influence of drugs, alcohol or medication.** A moment of inattention while operating power tools may result in serious personal injury.
- Use personal protective equipment. Always wear eye protection.** Protective equipment such as a dust mask, non-skid safety shoes, hard hat, or hearing protection used for appropriate conditions will reduce personal injuries.
- Prevent unintentional starting. Ensure the switch is in the off position before connecting to power source and/or battery pack, picking up or carrying the tool.** Carrying power tools with your finger on the switch or energizing power tools that have the switch on invites accidents.
- Remove any adjusting key or wrench before turning the power tool on.** A wrench or a key left attached to a rotating part of the power tool may result in personal injury.
- Do not overreach. Keep proper footing and balance at all times.** This enables better control of the power tool in unexpected situations.
- Dress properly. Do not wear loose clothing or jewelry. Keep your hair, clothing and gloves away from moving parts.** Loose clothes, jewelry or long hair can be caught in moving parts.

- g) **If devices are provided for the connection of dust extraction and collection facilities, ensure these are connected and properly used.** Use of dust collection can reduce dust-related hazards.
- h) **Do not let familiarity gained from frequent use of tools allow you to become complacent and ignore tool safety principles.** A careless action can cause severe injury within a fraction of a second.

#### 4) Power Tool Use and Care

- a) **Do not force the power tool. Use the correct power tool for your application.** The correct power tool will do the job better and safer at the rate for which it was designed.
- b) **Do not use the power tool if the switch does not turn it on and off.** Any power tool that cannot be controlled with the switch is dangerous and must be repaired.
- c) **Disconnect the plug from the power source and/ or remove the battery pack, if detachable, from the power tool before making any adjustments, changing accessories, or storing power tools.** Such preventive safety measures reduce the risk of starting the power tool accidentally.
- d) **Store idle power tools out of the reach of children and do not allow persons unfamiliar with the power tool or these instructions to operate the power tool.** Power tools are dangerous in the hands of untrained users.
- e) **Maintain power tools and accessories. Check for misalignment or binding of moving parts, breakage of parts and any other condition that may affect the power tool's operation. If damaged, have the power tool repaired before use.** Many accidents are caused by poorly maintained power tools.
- f) **Keep cutting tools sharp and clean.** Properly maintained cutting tools with sharp cutting edges are less likely to bind and are easier to control.
- g) **Use the power tool, accessories and tool bits, etc. in accordance with these instructions, taking into account the working conditions and the work to be performed.** Use of the power tool for operations different from those intended could result in a hazardous situation.
- h) **Keep handles and grasping surfaces dry, clean and free from oil and grease.** Slippery handles and grasping surfaces do not allow for safe handling and control of the tool in unexpected situations.

#### 5) Battery Tool Use and Care

- a) **Recharge only with the charger specified by the manufacturer.** A charger that is suitable for one type of battery pack may create a risk of fire when used with another battery pack.
- b) **Use power tools only with specifically designated battery packs.** Use of any other battery packs may create a risk of injury and fire.
- c) **When battery pack is not in use, keep it away from other metal objects, like paper clips, coins,**

**keys, nails, screws or other small metal objects, that can make a connection from one terminal to another.** Shorting the battery terminals together may cause burns or a fire.

- d) **Under abusive conditions, liquid may be ejected from the battery; avoid contact. If contact accidentally occurs, flush with water. If liquid contacts eyes, additionally seek medical help.** Liquid ejected from the battery may cause irritation or burns.
- e) **Do not use a battery pack or tool that is damaged or modified.** Damaged or modified batteries may exhibit unpredictable behavior resulting in fire, explosion or risk of injury.
- f) **Do not expose a battery pack or tool to fire or excessive temperature.** Exposure to fire or temperature above 265 °F (130 °C) may cause explosion.
- g) **Follow all charging instructions and do not charge the battery pack or tool outside the temperature range specified in the instructions.** Charging improperly or at temperatures outside the specified range may damage the battery and increase the risk of fire.

#### 6) Service

- a) **Have your power tool serviced by a qualified repair person using only identical replacement parts.** This will ensure that the safety of the power tool is maintained.
- b) **Never service damaged battery packs.** Service of battery packs should only be performed by the manufacturer or authorized service providers.

#### Belt Sander Supplemental Safety Warnings

- Always use proper eye protection and a respirator when sanding.
- Use clamps or another practical way to secure and support the workpiece to a stable platform. Holding the workpiece by hand or against your body leaves it unstable and may lead to loss of control.
- Sanding of lead-based paint is not recommended. See **Sanding Lead Based Paint** for additional information before sanding paint.
- Clean your tool out periodically.
- **Do not wet sand with this sander.** Liquids may enter the motor housing and cause damage to the belt sander.
- Static shocks are possible in dry areas or when the relative humidity of the air is low. This is only temporary and does not affect the use of the belt sander. To reduce the frequency of static shocks, add moisture to the air with a console, or installed humidifier.
- **Empty dust bag frequently.** Especially when sanding resin coated surfaces such as polyurethane, varnish, shellac, etc. The accumulation of fine sanding dust particles may self ignite and cause fire.
- **Do not operate this tool for long periods of time.** Vibration caused by the operating action of this tool may cause permanent injury to fingers, hands, and arms. Use



gloves to provide extra cushion, take frequent rest periods, and limit daily time of use.

- **Sanding of lead-based paint, chemically pressure treated lumber or other materials that may contain carcinogens is not recommended.** Sanding of these materials should only be performed by a professional.
- **ALWAYS disconnect tool from the power source before changing abrasive belts.** Such preventive safety measures reduce the risk of starting the power tool accidentally.
- **ALWAYS maintain a firm grip with both hands on the belt sander handles to prevent loss of control.**
- **ALWAYS keep fingers away from the moving belt and areas where the belt enters the housing to avoid severe abrasion.**
- **Do not operate belt sander without all guards and covers securely in place.**
- **To avoid injury, do not use this tool in a stand that would invert it for use as a stationary belt sander.** This tool is not made for that application.

## Specific Safety Warnings and Instructions: Sanders

### Sanding Lead-Based Paint

Sanding of lead-based paint is NOT RECOMMENDED due to the difficulty of controlling the contaminated dust.

The greatest danger of lead poisoning is to children and pregnant women.

Since it is difficult to identify whether or not a paint contains lead without a chemical analysis, we recommend the following precautions when sanding any paint:

#### Personal Safety

- No children or pregnant women should enter the work area where the paint sanding is being done until all clean-up is completed.
- A dust mask or respirator should be worn by all persons entering the work area. The filter should be replaced daily or whenever the wearer has difficulty breathing.

**NOTE:** Only those dust masks suitable for working with lead paint dust and fumes should be used. Ordinary painting masks do not offer this protection. See your local hardware dealer for the proper (NIOSH approved) mask.

- NO EATING, DRINKING or SMOKING should be done in the work area to prevent ingesting contaminated paint particles. Workers should wash and clean up BEFORE eating, drinking or smoking. Articles of food, drink, or smoking should not be left in the work area where dust would settle on them.

#### Environmental Safety

- Paint should be removed in such a manner as to minimize the amount of dust generated.
- Areas where paint removal is occurring should be sealed with plastic sheeting of 4 mils thickness.
- Sanding should be done in a manner to reduce tracking of paint dust outside the work area.

### Cleaning and Disposal

- All surfaces in the work area should be vacuumed and thoroughly cleaned daily for the duration of the sanding project. Vacuum filter bags should be changed frequently.
- Plastic drop cloths should be gathered up and disposed of along with any dust chips or other removal debris. They should be placed in sealed refuse receptacles and disposed of through regular trash pick-up procedures. During clean-up, children and pregnant women should be kept away from the immediate work area.
- All toys, washable furniture and utensils used by children should be washed thoroughly before being used again.

### Additional Safety Information



**WARNING:** Never modify the power tool or any part of it. Damage or personal injury could result.



**WARNING: ALWAYS** use safety glasses. Everyday eyeglasses are NOT safety glasses. Also use face or dust mask if operation is dusty. **ALWAYS WEAR CERTIFIED SAFETY EQUIPMENT:**

- ANSI Z87.1 eye protection (CAN/CSA Z94.3),
- ANSI S12.6 (S3.19) hearing protection,
- NIOSH/OSHA/MSHA respiratory protection.



**WARNING:** Some dust created by power sanding, sawing, grinding, drilling, and other construction activities contains chemicals known to the State of California to cause cancer, birth defects or other reproductive harm. Some examples of these chemicals are:

- lead from lead-based paints,
- crystalline silica from bricks and cement and other masonry products, and
- arsenic and chromium from chemically-treated lumber.

Your risk from these exposures varies, depending on how often you do this type of work. To reduce your exposure to these chemicals: work in a well-ventilated area, and work with approved safety equipment, such as those dust masks that are specially designed to filter out microscopic particles.

- **Wear protective clothing and wash exposed areas with soap and water.** Allowing dust to get into your mouth, eyes, or lie on the skin may promote absorption of harmful chemicals. Direct particles away from face and body.



**WARNING: Always wear proper personal hearing protection that conforms to ANSI S12.6 (S3.19) during use.** Under some conditions and duration of use, noise from this product may contribute to hearing loss.



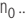










- **Use the appropriate dust extractor vacuum to remove the vast majority of static and airborne dust.** Failure to remove static and airborne dust could contaminate the working environment or pose an increased health risk to the operator and those in close proximity.
- **Use clamps or other practical ways to secure and support the workpiece to a stable platform.** Holding

the workpiece by hand or against your body is unstable and may lead to loss of control and injury.

- **Air vents often cover moving parts and should be avoided.** Loose clothes, jewelry or long hair can be caught in moving parts.

**⚠ CAUTION: When not in use, place tool on its side on a stable surface where it will not cause a tripping or falling hazard.** Some tools with large battery packs will stand upright on the battery pack but may be easily knocked over.

The label on your tool may include the following symbols. The symbols and their definitions are as follows:

V .....	volts		or AC/DC... alternating or direct current
Hz .....	hertz		..... Class II Construction (double insulated)
min .....	minutes		$n_0$ .....
— — or DC .....	direct current	n .....	..... rated speed
	..... Class I Construction (grounded)	PSI .....	..... pounds per square inch
... /min .....	per minute		..... earthing terminal
BPM .....	beats per minute		..... safety alert symbol
IPM .....	impacts per minute		..... visible radiation—do not stare into the light
OPM .....	oscillations per minute		..... wear respiratory protection
RPM .....	revolutions per minute		..... wear eye protection
sfpm .....	surface feet per minute		..... wear hearing protection
SPM .....	strokes per minute		..... read all documentation
A .....	amperes		..... do not expose to rain
W .....	watts		
Wh .....	watt hours		
Ah .....	amp hours		
 or AC .....	alternating current		

## BATTERIES AND CHARGERS

The battery pack is not fully charged out of the carton. Before using the battery pack and charger, read the safety instructions below and then follow charging procedures outlined. When ordering replacement battery packs, be sure to include the catalog number and voltage.

### READ ALL INSTRUCTIONS

## Important Safety Instructions for All Battery Packs

**⚠ WARNING: Read all safety warnings, instructions, and cautionary markings for the battery pack, charger and product. Failure to follow the warnings and instructions may result in electric shock, fire and/or serious injury.**

- **Do not charge or use the battery pack in explosive atmospheres, such as in the presence of flammable liquids, gases or dust.** Inserting or removing the battery pack from the charger may ignite the dust or fumes.
- **NEVER force the battery pack into the charger. DO NOT modify the battery pack in any way to fit into a non-compatible charger as battery pack may rupture**

**causing serious personal injury.** Consult the chart at the end of this manual for compatibility of batteries and chargers.

- **Charge the battery packs only in CRAFTSMAN chargers.**
- **DO NOT splash or immerse in water or other liquids.**
- **DO NOT allow water or any liquid to enter battery pack.**
- **Do not store or use the tool and battery pack in locations where the temperature may reach or exceed 104 °F (40 °C) (such as outside sheds or metal buildings in summer).** For best life store battery packs in a cool, dry location.

**NOTE: Do not store the battery packs in a tool with the trigger switch locked on. Never tape the trigger switch in the ON position.**

- **Do not incinerate the battery pack even if it is severely damaged or is completely worn out.** The battery pack can explode in a fire. Toxic fumes and materials are created when lithium-ion battery packs are burned.
- **Do not expose a battery pack or appliance to fire or excessive temperature.** Exposure to fire or temperature above 265 °F (130 °C) may cause explosion.
- **Follow all charging instructions and do not charge the battery pack or appliance outside of the temperature range specified in the instructions.** Charging improperly or at temperatures outside of the specified range may damage the battery and increase the risk of fire.
- **If battery contents come into contact with the skin, immediately wash area with mild soap and water.** If battery liquid gets into the eye, rinse water over the open eye for 15 minutes or until irritation ceases. If medical attention is needed, the battery electrolyte is composed of a mixture of liquid organic carbonates and lithium salts.
- **Contents of opened battery cells may cause respiratory irritation.** Provide fresh air. If symptoms persist, seek medical attention.
- **Battery liquid may be flammable if exposed to spark or flame.**
- **Never attempt to open the battery pack for any reason. If the battery pack case is cracked or damaged, do not insert into the charger.** Do not crush, drop or damage the battery pack. Do not use a battery pack or charger that has received a sharp blow, been dropped, run over or damaged in any way (e.g., pierced with a nail, hit with a hammer, stepped on). Damaged battery packs should be returned to the service center for recycling.

## Storage Recommendations

The best storage place is one that is cool and dry, away from direct sunlight and excess heat or cold. Store the fully charged battery pack out of the charger.

## Battery Pack Cleaning Instructions

Dirt and grease may be removed from the exterior of the battery pack using a cloth or soft non-metallic brush. Do not use water or any cleaning solutions.

## Fuel Gauge Battery Packs (Fig. B)

Some battery packs include a fuel gauge. When the fuel gauge button is pressed and held, the LED lights will indicate the approximate level of charge remaining. This does not indicate tool functionality and is subject to variation based on product components, temperature, and end-user application.

## Transportation



**WARNING: Fire hazard. Do not store, carry, or transport the battery pack so that metal objects can contact exposed battery terminals.** For example, do not place the battery pack in aprons, pockets, tool boxes, product kit boxes, drawers, etc., with loose nails, screws, keys, coins, hand tools, etc. When transporting individual battery packs, make sure that the battery terminals are protected and well insulated from materials that could contact them and cause a short circuit. **NOTE:** Li-ion battery packs should not be put in checked baggage on airplanes and must be properly protected from short circuits if they are in carry-on baggage.

## The RBRC® Seal

Please take your spent battery packs to an authorized CRAFTSMAN service center or to your local retailer for recycling. In some areas, it is illegal to place spent battery packs in the trash. You may also contact your local recycling center for information on where to drop off the spent battery pack. Do not place in curbside recycling. For more information visit [www.call2recycle.org](http://www.call2recycle.org) or call the toll-free number in the RBRC® Seal.

RBRC® is a registered trademark of Call 2 Recycle, Inc.



## Important Safety Instructions for All Battery Chargers



**WARNING: Read all safety warnings, instructions, and cautionary markings for the battery pack, charger and product. Failure to follow the warnings and instructions may result in electric shock, fire and/or serious injury.**

- **DO NOT attempt to charge the battery pack with any chargers other than a CRAFTSMAN charger.** CRAFTSMAN chargers and battery packs are specifically designed to work together.
- **These chargers are not intended for any uses other than charging CRAFTSMAN rechargeable battery packs.** Charging other types of battery packs may cause them to overheat and burst, resulting in personal injury, property damage, fire, electric shock or electrocution.
- **Do not expose the charger to rain or snow.**
- **Do not allow water or any liquid to enter charger.**
- **Pull by the plug rather than the cord when disconnecting the charger.** This will reduce the risk of damage to the electric plug and cord.
- **Make sure that the cord is located so that it will not be stepped on, tripped over or otherwise subjected to damage or stress.**

- **Do not use an extension cord unless it is absolutely necessary.** Use of improper extension cord could result in risk of fire, electric shock or electrocution.
- **When operating a charger outdoors, always provide a dry location and use an extension cord suitable for outdoor use.** Use of a cord suitable for outdoor use reduces the risk of electric shock.
- **An extension cord must have adequate wire size (AWG or American Wire Gauge) for safety.** The smaller the gauge number of the wire, the heavier the cord and thus the greater its capacity. An undersized cord will cause a drop in line voltage resulting in loss of power and overheating. The following table shows the correct size to use depending on total length of all extension cords plugged together, and nameplate ampere rating. If in doubt, use the next heavier gauge.

Minimum Gauge for Cord Sets

Volts		Total Length of Cord in Feet (meters)			
		25 (7.6)	50 (15.2)	100 (30.5)	150 (45.7)
Ampere Rating		American Wire Gauge			
More Than	Not More Than				
0	6	18	16	16	14
6	10	18	16	14	12
10	12	16	16	14	12
12	16	14	12	Not Recommended	

- **Do not place any object on top of the charger or place the charger on a soft surface that might block the ventilation slots and result in excessive internal heat.** Place the charger in a position away from any heat source. The charger is ventilated through slots in the top and the bottom of the housing.
- **Do not operate the charger with a damaged cord or plug.** Have them replaced immediately.
- **Do not operate the charger if it has received a sharp blow, been dropped or otherwise damaged in any way.** Take it to an authorized service center.
- **Do not disassemble the charger; take it to an authorized service center when service or repair is required.** Incorrect reassembly may result in a risk of electric shock, electrocution or fire.
- **The charger is designed to operate on standard 120V household electrical power. Do not attempt to use it on any other voltage.** This does not apply to the vehicular charger.
- **Foreign materials of a conductive nature, such as, but not limited to, grinding dust, metal chips, steel wool, aluminum foil or any buildup of metallic particles should be kept away from the charger cavities and ventilation slots.**
- **Always unplug the charger from the power supply when there is no battery pack in the cavity.**

## Charging a Battery (Fig. C, D, J)

1. Plug the charger into an appropriate outlet.
2. Insert and fully seat battery pack **10**. Charging light(s) will continuously blink while charging.

- Charging is complete when the green charging light(s) remain(s) continuously ON. Battery pack can be left in charger or removed.



**WARNING:** Only charge batteries in air temperature over 40 °F (4.5 °C) and below 104 °F (40 °C).

- Charger will not charge a faulty battery pack, which may be indicated by the charging light(s) staying OFF. Take charger and battery pack to an authorized service center if light(s) stay(s) OFF.

**NOTE:** Refer to label near charging light(s) on charger for blink patterns.

**NOTE:** To remove the battery pack, some chargers require the battery pack release button **11** to be pressed.

### Hot/Cold Pack Delay

When the charger detects a battery pack that is too hot or too cold, it automatically starts a Hot/Cold Pack Delay, suspending charging until the battery pack has reached an appropriate temperature. The charger then automatically switches to the pack charging mode. This feature ensures maximum battery pack life.

A cold battery pack may charge at a slower rate than a warm battery pack.

The hot/cold pack delay will be indicated by the green light(s) continuing to blink but with the red light continuously ON. Once the battery pack has reached an appropriate temperature, the red light will turn OFF and the charger will resume the charging procedure.

### Electronic Protection System

Li-ion tools are designed with an Electronic Protection System that will protect the battery pack against overloading, overheating or deep discharge. The tool will automatically turn off and the battery pack will need to be recharged.

### Important Charging Notes

- Longest life and best performance can be obtained if the battery pack is charged when the air temperature is between 65 °F – 75 °F (18 °C – 24 °C). DO NOT charge when the battery pack is below 40 °F (4.5 °C), or above 104 °F (40 °C). This is important and will prevent serious damage to the battery pack.
- The charger and battery pack may become warm to the touch while charging. This is a normal condition, and does not indicate a problem. To facilitate the cooling of the battery pack after use, avoid placing the charger or battery pack in a warm environment such as in a metal shed or an uninsulated trailer.
- If the battery pack does not charge properly:
  - Check operation of receptacle by plugging in a lamp or other appliance;
  - Check to see if receptacle is connected to a light switch which turns power off when you turn out the lights;
  - If charging problems persist, take the tool, battery pack and charger to your local service center.
- You may charge a partially used pack whenever you desire with no adverse effect on the battery pack.

### Charger Cleaning Instructions



**WARNING:** Shock hazard. Disconnect the charger from the AC outlet before cleaning. Dirt and grease may be removed from the exterior of the charger using a cloth or soft non-metallic brush. Do not use water or any cleaning solutions.

### Wall Mounting

Some CRAFTSMAN chargers are designed to be wall mountable or to sit upright on a table or work surface. If wall mounting, locate the charger within reach of an electrical outlet, and away from a corner or other obstructions which may impede air flow. Use the back of the charger as a template for the location of the mounting screws on the wall. Mount the charger securely using drywall screws (purchased separately) at least 1" (25.4 mm) long, with a screw head diameter of 0.28–0.35" (7–9 mm), screwed into wood to an optimal depth leaving approximately 7/32" (5.5 mm) of the screw exposed. Align the slots on the back of the charger with the exposed screws and fully engage them in the slots.

**NOTE:** Do not attempt to mount CMCB101 charger under a bench or table.

**NOTE:** Only mount CMCB101 charger with the charging lights pointed upward toward the ceiling.

### VersaTrack™



**WARNING:** Do not charge batteries while charger is hung on Trackwall.

CRAFTSMAN chargers, except the CMCB101, can be stored on CRAFTSMAN VersaTrack™ Trackwall. Hooks and accessories are sold separately. Please refer to the VersaTrack™ Trackwall accessory sheet for further information.

**NOTE:** The CMCB101 charger is not CRAFTSMAN VersaTrack™ Trackwall compatible.

### SAVE THESE INSTRUCTIONS FOR FUTURE USE

### ASSEMBLY AND ADJUSTMENTS



**WARNING:** To reduce the risk of serious personal injury, turn unit off and remove the battery pack before making any adjustments or removing/installing attachments or accessories. An accidental start-up can cause injury.

### Three Position Handle (Fig. A)

To adjust the three position handle **6**, rotate the locking position dial **12** counterclockwise to unlock the handle. Move the three position handle to the desired position. Once the handle is positioned, rotate the locking position dial clockwise to lock the handle.

### Adjusting the Sanding Belt Tracking (Fig. E)




**WARNING:** Keep hands, fingers and loose clothing away from moving belt.


Hold the tool firmly with one hand, start motor and observe tracking of sanding belt. Use your other hand to adjust

the belt tracking adjustment knob 7 to center the belt. If the belt runs outward, turn the tracking adjustment knob clockwise to make the belt run inward. If belt runs inward, turn the tracking adjustment knob counterclockwise to make the belt run outward.

Belt life will be greatly increased by keeping the tracking adjustment set properly. To prevent the sanding belt from rubbing against the sander housing, keep the edge of the belt about 7/64" (2.7 mm) to 13/64" (5.1 mm) from the cover side of housing.


## Changing The Sanding Belt (Fig. F, G)

 **WARNING:** To reduce the risk of serious personal injury, turn unit off and remove the battery pack before making any adjustments or removing/installing attachments or accessories. An accidental start-up can cause injury.

 **WARNING:** To reduce the risk of injury, make sure belt is installed with arrows in proper direction of rotation. Failure to do this could result in the belt unraveling creating a hazardous condition.


Pull the quick release lever 4 shown in Figure F to release the tension on the sanding belt. Pull the sanding belt 1 from the two rollers. Put the new 3" x 18" (75 mm x 457 mm) sanding belt in position on the front and rear rollers (Figure G). Ensure that the arrows on the sanding belt and on your belt sander are pointing in the same direction. Use one hand to hold the unit and use the other hand to push the lever to the rear to tension the sanding belt.

## Dust Extraction (Fig. H)


 **WARNING:** Risk of dust inhalation. To reduce the risk of personal injury, ALWAYS wear an approved dust mask.


A dust exhaust port 8 is supplied with your tool.


The dust exhaust port allows you to connect the tool to an external dust extractor, either using the AirLock™ system, or a standard 32 mm dust extractor fitment.

 **WARNING:** ALWAYS use a vacuum extractor designed in compliance with the applicable directives regarding dust emission when sanding wood. Vacuum hoses of most common vacuum cleaners will fit directly into the dust extraction outlet.

## Fitting and Removing the Dustbag (Fig. I)


 **WARNING:** To reduce the risk of serious personal injury, turn unit off and remove the battery pack before making any adjustments or removing/installing attachments or accessories. An accidental start-up can cause injury.

 **WARNING: Fire hazard.** Collected sanding dust from sanding surface coatings (polyurethane, linseed oil, etc.) can self-ignite in sander dust bag or elsewhere and cause fire. To reduce risk, empty bag frequently and strictly follow sander manual and coating manufacturer's instructions.


 **WARNING: Fire hazard.** When sanding wood that could contain nails, or when sanding metal surfaces, do not use the dust bag or a vacuum cleaner because sparks are generated. Wear safety glasses and a dust mask. Due to the danger of fire, do not use your belt sander to sand magnesium surfaces. Do not use for wet sanding.

When using your belt sander, dust and grit are produced. It is important to use a dust bag. Connect the dust bag 13 by sliding the plastic opening of the bag down over the dust exhaust port 8 of the sander. To empty the dust bag, remove it from the sander and unzip the bag over a trash container.

## OPERATION

 **WARNING:** To reduce the risk of serious personal injury, turn unit off and remove the battery pack before making any adjustments or removing/installing attachments or accessories. An accidental start-up can cause injury.

## Installing and Removing the Battery Pack (Fig. J)

 **WARNING:** Ensure the tool/appliance is in the off position before inserting the battery pack.

**NOTE:** For best results, make sure your battery pack is fully charged.

1. To install the battery pack 10 into the tool handle, align the battery pack with the rails inside the tool's handle and slide it into the handle until the battery pack is firmly seated in the tool and ensure that it does not disengage.
2. To remove the battery pack from the tool, press the battery pack release button 11 and firmly pull the battery pack out of the tool handle. Insert it into the charger as described in the charger section of this manual.

## Proper Hand Position (Fig. L)

 **WARNING:** To reduce the risk of serious personal injury, ALWAYS use proper hand position as shown.

 **WARNING:** To reduce the risk of serious personal injury, ALWAYS hold securely in anticipation of a sudden reaction.

Proper hand position requires one hand on the main handle 5 and one hand on the three position handle 6.

## Trigger and Lock-On Button (Fig. A, K, L)

To start your belt sander, depress the trigger 2 as shown in Figure L. To stop your belt sander release the trigger. For continuous operation, depress trigger then depress the lock-on button 3, as shown in Figure K, and release the trigger. To stop your belt sander, depress the trigger to release the lock-on button. Release the trigger.

## Variable-Speed Dial (Fig. M)

Your tool comes equipped with 5 variable speed settings. The speed increases as the wheel is turned from a low speed setting of 1 to a high speed setting of 5.

To operate the tool, select the speed setting you wish with the variable speed dial **9**, shown in Figure M, and depress the trigger **2** as shown in Figure L. The speed setting can be adjusted either with the tool ON or OFF.

Be sure to select the proper speed for your sanding operation. If in doubt about the proper speed for your operation, test the performance at low speed settings and gradually increase until a comfortable speed is found.

## Helpful Hints

- Always start your belt sander before it is in contact with the workpiece and do not switch it off until after it has been lifted from the workpiece.
- Always hold your belt sander with two hands.
- Use the correct grit sanding belt for your application. The following is a suggested list of belt grits to use with different materials.

MATERIAL	BELT GRIT
Solid Wood	80
Veneer	150
Chipboard	60/80
Plastics	100
Steel	80 (do not use dust bag or vacuum as sparks could ignite flammable particles in bag or vacuum)
Paint Removal	40/60
Balsa Wood	100
Acrylic	100 40/60 100

## MAINTENANCE

**WARNING:** To reduce the risk of serious personal injury, turn unit off and remove the battery pack before making any adjustments or removing/installing attachments or accessories. An accidental start-up can cause injury.

Your CRAFTSMAN power tool has been designed to operate over a long period of time with a minimum of maintenance. Continuous satisfactory operation depends upon proper tool care and regular cleaning.

## Accessories

**WARNING:** Since accessories, other than those offered by CRAFTSMAN, have not been tested with this product, use of such accessories with this product could be hazardous. To reduce the risk of injury, only CRAFTSMAN recommended accessories should be used with this product.

Recommended accessories for use with your product are available at extra cost from your local dealer or authorized service center. If you need assistance in locating any accessory, please contact CRAFTSMAN. Call **1-888-331-4569**.

## VersaTrack™ (Fig. N)

**WARNING:** To reduce the risk of serious personal injury, turn unit off and remove the battery pack before making any adjustments or removing/installing attachments or accessories. An accidental start-up can cause injury.

**WARNING:** To reduce the risk of serious personal injury, do not use a damaged VersaTrack™ hang hook or VersaTrack™ Trackwall. A damaged VersaTrack™ hang hook or VersaTrack™ Trackwall will not support the weight of the tool.

**WARNING:** To reduce the risk of serious personal injury, ensure the screw holding the VersaTrack™ hang hook is securely tightened.

**WARNING:** To reduce the risk of serious personal injury, DO NOT suspend tool overhead or suspend objects from the hang hook. ONLY suspend tool on the VersaTrack™ Trackwall using the hang hook.

**WARNING:** The Versatrack™ integral hang hook is not a belt hook.

**WARNING:** Ensure that the tool weight does not exceed the maximum rated weight of 20 lb (9 kg) for the selected VersaTrack™ hook.

**WARNING:** When hanging objects on a VersaTrack™ Trackwall rail, adequately space the tools in order to not exceed 75 lb (35 kg) per linear foot.

**IMPORTANT:** When attaching the VersaTrack™ hang hook, use only the screw that is provided. Be sure to securely tighten the screw. VersaTrack™ accessories mount compatible tools securely to the VersaTrack™ Trackwall system.

1. Turn the tool off, remove the battery pack and accessories.

**CAUTION:** Any product with exposed cutting teeth must have them covered securely if it is to be on the VersaTrack™ Trackwall.

2. Attach the hang hook **14** on the tool.
  - a. Place the VersaTrack™ hang hook onto the mounting location **15** at the base of the tool.
  - b. Use a screwdriver to secure the hang hook with the provided screw **16**. Do not use any other screw for this.

**NOTE:** VersaTrack™ accessories for use with your tool are available at extra cost from your local dealer or authorized service center. If you need assistance in locating any accessory, please contact CRAFTSMAN. Call **1-888-331-4569**.

## Cleaning

**WARNING:** Blow dirt and dust out of all air vents with clean, dry air at least once a week. To minimize the risk of eye injury, always wear ANSI Z87.1 approved eye protection when performing this procedure.

**WARNING:** Never use solvents or other harsh chemicals for cleaning the non-metallic parts of the tool. These chemicals may weaken the plastic materials used in these parts. Use a cloth dampened only with water and mild soap. Never let any liquid get inside the tool; never immerse any part of the tool into a liquid.

## Repairs

The charger and batteries are not serviceable. There are no serviceable parts inside the charger or battery pack.



**WARNING:** To assure product SAFETY and RELIABILITY, repairs, maintenance and adjustment (including brush inspection and replacement, when applicable) should be performed by a factory service center or an authorized service center. Always use identical replacement parts.

## Register Online

Thank you for your purchase. Register your product now for:

- **WARRANTY SERVICE:** Registering your product will help you obtain more efficient warranty service in case there is a problem with your product.
- **CONFIRMATION OF OWNERSHIP:** In case of an insurance loss, such as fire, flood or theft, your registration of ownership will serve as your proof of purchase.
- **FOR YOUR SAFETY:** Registering your product will allow us to contact you in the unlikely event a safety notification is required under the Federal Consumer Safety Act.
- Register online at [www.craftsman.com/support](http://www.craftsman.com/support).

## Three-Year Limited Warranty

For warranty terms, go to <https://www.craftsman.com/support/warranty>.

To request a written copy of the warranty terms, contact: Customer Service at CRAFTSMAN, 701 East Joppa Road, Towson, MD 21286 or call **1-888-331-4569**.

**LATIN AMERICA:** This warranty does not apply to products sold in Latin America. For products sold in Latin America, see country-specific warranty information contained in the packaging, call the local company, or see website for warranty information.

**FREE WARNING LABEL REPLACEMENT:** If your warning labels become illegible or are missing, call **1-888-331-4569** for a free replacement.



**AVERTISSEMENT :** lisez tous les avertissements de sécurité et toutes les instructions. Ne pas suivre les avertissements et les instructions peut entraîner un choc électrique, un incendie et/ou des blessures graves.



**AVERTISSEMENT :** pour réduire le risque de blessure, lisez le guide d'utilisation.

## Usage prévu

Cette ponceuse à bande aléatoire a été conçue pour le ponçage du bois, du métal, du plastique et des surfaces peintes.

**NE PAS** les utiliser en milieu ambiant humide ou en présence de liquides ou de gaz inflammables.

Cette ponceuse à bande est un outil électrique professionnel.

**NE PAS** le laisser à la portée des enfants. Une supervision est nécessaire auprès de tout utilisateur non expérimenté.

## Définitions: symboles et mentions d'alerte de sécurité

Cette notice d'utilisation utilise les symboles et les mentions d'alerte de sécurité suivants afin de vous alerter sur les situations dangereuses et les risques de blessures ou de dégâts matériels.



**DANGER:** indique une situation de risque imminent qui engendre, si elle n'est pas évitée, la **mort ou de graves blessures**.



**AVERTISSEMENT:** indique une situation de risque potentiel qui **pourrait** engendrer, si elle n'est pas évitée, la **mort ou de graves blessures**.



**ATTENTION:** indique une situation de risque potentiel qui **peut** engendrer, si elle n'est pas évitée, **des blessures bénignes ou modérées**.



**REMARQUE:** indique une pratique **n'entraînant aucun risque de blessures** mais qui, si elle n'est pas évitée, **peut entraîner des dommages matériels**.  
(Utilisé sans mention) Indique un message lié à la sécurité.

## AVERTISSEMENTS GÉNÉRAUX SUR LA SÉCURITÉ DES OUTILS



**AVERTISSEMENT :** lisez tous les avertissements de sécurité, toutes les instructions, les illustrations et les caractéristiques fournis avec cet outil électrique. Ne pas suivre toutes les instructions comprises aux présentes peut conduire à un choc électrique, un incendie et/ou des blessures graves.

### CONSERVER TOUS LES AVERTISSEMENTS ET TOUTES LES DIRECTIVES POUR UN USAGE ULTÉRIEUR.

Le terme « outil électrique » cité dans les avertissements se rapporte à votre outil électrique à alimentation sur secteur (avec fil) ou par piles (sans fil).

## 1) Sécurité du lieu de travail

- Tenir l'aire de travail propre et bien éclairée.** Les lieux encombrés ou sombres sont propices aux accidents.
- Ne pas faire fonctionner d'outils électriques dans un milieu déflagrant, tel qu'en présence de liquides, de gaz ou de poussières inflammables.** Les outils électriques produisent des étincelles qui pourraient enflammer la poussière ou les vapeurs.
- Éloigner les enfants et les personnes à proximité pendant l'utilisation d'un outil électrique.** Une distraction pourrait en faire perdre la maîtrise à l'utilisateur.

## 2) Sécurité en matière d'électricité

- Les fiches des outils électriques doivent correspondre à la prise. Ne jamais modifier la fiche d'aucune façon. Ne jamais utiliser de fiche d'adaptation avec un outil électrique mis à la terre.** Le risque de choc électrique sera réduit par l'utilisation de fiches non modifiées correspondant à la prise.
- Éviter tout contact physique avec des surfaces mises à la terre comme des tuyaux, des radiateurs, des cuisinières et des réfrigérateurs.** Le risque de choc électrique est plus élevé si votre corps est mis à la terre.
- Ne pas exposer les outils électriques à la pluie ou à l'humidité.** La pénétration de l'eau dans un outil électrique augmente le risque de choc électrique.
- Ne pas utiliser le cordon de façon abusive. Ne jamais utiliser le cordon pour transporter, tirer ou débrancher un outil électrique. Tenir le cordon éloigné de la chaleur, de l'huile, des bords tranchants et des pièces mobiles.** Les cordons endommagés ou enchevêtrés augmentent les risques de choc électrique.
- Pour l'utilisation d'un outil électrique à l'extérieur, se servir d'une rallonge convenant à cette application.** L'utilisation d'une rallonge conçue pour l'extérieur réduira les risques de choc électrique.
- S'il est impossible d'éviter l'utilisation d'un outil électrique dans un endroit humide, brancher l'outil dans une prise ou sur un circuit d'alimentation dotés d'un disjoncteur de fuite à la terre (GFCI).** L'utilisation de ce type de disjoncteur réduit les risques de choc électrique.

## 3) Sécurité personnelle

- Être vigilant, surveiller le travail effectué et faire preuve de jugement lorsqu'un outil électrique est utilisé. Ne pas utiliser d'outil électrique en cas de fatigue ou sous l'influence de drogues, d'alcool ou de médicaments.** Un simple moment d'inattention en utilisant un outil électrique peut entraîner des blessures corporelles graves.
- Utiliser des équipements de protection individuelle. Toujours porter une protection oculaire.** L'utilisation d'équipements de protection comme un masque antipoussière, des chaussures



antidérapantes, un casque de sécurité ou des protecteurs auditifs lorsque la situation le requiert réduira les risques de blessures corporelles.

- c) **Empêcher les démarrages intempestifs. S'assurer que l'interrupteur se trouve à la position d'arrêt avant de relier l'outil à une source d'alimentation et/ou d'insérer un bloc-piles, de ramasser ou de transporter l'outil.** Transporter un outil électrique alors que le doigt repose sur l'interrupteur ou brancher un outil électrique dont l'interrupteur est à la position de marche risque de provoquer un accident.
- d) **Retirer toute clé de réglage ou clé avant de démarrer l'outil.** Une clé ou une clé de réglage attachée à une partie pivotante de l'outil électrique peut provoquer des blessures corporelles.
- e) **Ne pas trop tendre les bras. Conserver son équilibre en tout temps.** Cela permet de mieux maîtriser l'outil électrique dans les situations imprévues.
- f) **S'habiller de manière appropriée. Ne pas porter de vêtements amples ni de bijoux. Garder les cheveux, les vêtements et les gants à l'écart des pièces mobiles.** Les vêtements amples, les bijoux ou les cheveux longs risquent de rester coincés dans les pièces mobiles.
- g) **Si des composants sont fournis pour le raccordement de dispositifs de dépoussiérage et de ramassage, s'assurer que ceux-ci sont bien raccordés et utilisés.** L'utilisation d'un dispositif de dépoussiérage peut réduire les dangers engendrés par les poussières.
- h) **Ne pas laisser votre connaissance acquise suite à l'utilisation fréquente des outils vous permettre de baisser la garde et ignorer les principes de sécurité de l'outil.** Un acte irréfléchi peut causer une blessure grave en une fraction de seconde.

#### 4) Utilisation et entretien d'un outil électrique

- a) **Ne pas forcer un outil électrique. Utiliser l'outil électrique approprié à l'application.** L'outil électrique approprié effectuera un meilleur travail, de façon plus sûre et à la vitesse pour laquelle il a été conçu.
- b) **Ne pas utiliser un outil électrique dont l'interrupteur est défectueux.** Tout outil électrique dont l'interrupteur est défectueux est dangereux et doit être réparé.
- c) **Débranchez la fiche de la prise électrique et, si amovible, retirez le bloc-piles de l'outil avant d'effectuer tout ajustement, changement et entreposage de celui-ci.** Ces mesures préventives réduisent les risques de démarrage accidentel de l'outil électrique.
- d) **Ranger les outils électriques hors de la portée des enfants et ne permettre à aucune personne n'étant pas familière avec un outil électrique ou son mode d'emploi d'utiliser cet outil.** Les outils électriques deviennent dangereux entre les mains d'utilisateurs inexpérimentés.

- e) **Gardez les poignées et surfaces d'emprise propres et libres de tout produit lubrifiant. Vérifier si les pièces mobiles sont mal alignées ou coincées, si des pièces sont brisées ou présentent toute autre condition susceptible de nuire au bon fonctionnement de l'outil électrique. En cas de dommage, faire réparer l'outil électrique avant toute nouvelle utilisation.** Beaucoup d'accidents sont causés par des outils électriques mal entretenus.
- f) **S'assurer que les outils de coupe sont aiguisés et propres.** Les outils de coupe bien entretenus et affûtés sont moins susceptibles de se coincer et sont plus faciles à maîtriser.
- g) **Utiliser l'outil électrique, les accessoires, les forets, etc. conformément aux présentes directives en tenant compte des conditions de travail et du travail à effectuer.** L'utilisation d'un outil électrique pour toute opération autre que celle pour laquelle il a été conçu est dangereuse.
- h) **Garder vos mains et les surfaces de prise sèches, propres et libres de graisse et de poussière.** Les mains et les surfaces de prise glissantes ne permettent pas la manutention et le contrôle sécuritaires de l'outil dans les situations imprévues.

#### 5) Utilisation et entretien du bloc-piles

- a) **Ne recharger l'outil qu'au moyen du chargeur précisé par le fabricant.** L'utilisation d'un chargeur qui convient à un type de bloc-piles risque de provoquer un incendie s'il est utilisé avec un autre type de bloc-piles.
- b) **Utiliser les outils électriques uniquement avec les bloc-piles conçus à cet effet.** L'utilisation de tout autre bloc-piles risque de causer des blessures ou un incendie.
- c) **Lorsque le bloc-piles n'est pas utilisé, le tenir éloigné des objets métalliques, notamment des trombones, de la monnaie, des clés, des clous, des vis ou autres petits objets métalliques qui peuvent établir une connexion entre les deux bornes.** Le court-circuit des bornes du bloc-piles risque de provoquer des brûlures ou un incendie.
- d) **En cas d'utilisation abusive, le liquide peut gicler hors du bloc-piles; éviter tout contact avec ce liquide. Si un contact accidentel se produit, laver à grande eau. Si le liquide entre en contact avec les yeux, obtenir également des soins médicaux.** Le liquide qui gicle hors du bloc-piles peut provoquer des irritations ou des brûlures.
- e) **Ne pas utiliser de bloc-piles ou outil qui a été endommagé ou modifié.** Les unités endommagées ou modifiées peuvent avoir une réaction imprévisible résultant en un incendie, une explosion ou un potentiel de blessure.
- f) **Ne pas exposer de bloc-piles ou l'outil aux flammes ou à des températures excessives.** L'exposition aux flammes ou à une température au-dessus de 130 °C (265 °F) pourrait causer une explosion.

- g) **Suivre toutes les instructions de recharge et ne rechargez pas le bloc-piles ou l'outil à des températures hors de la plage de température indiquée dans les instructions.** Une recharge non conforme ou à une température hors des limites spécifiées peut endommager les piles et augmenter le risque d'incendie.

## 6) Réparation

- a) **Faire réparer l'outil électrique par un réparateur professionnel en n'utilisant que des pièces de rechange identiques.** Cela permettra de maintenir une utilisation sécuritaire de l'outil électriques.
- b) **Ne jamais réparer des blocs-piles endommagés.** La réparation de blocs-piles doit seulement être effectuée par le fabricant ou les fournisseurs de service autorisés.

## Avertissement de sécurité supplémentaires propres aux ponceuses à bande

- Utilisez toujours une protection oculaire adaptée et une aide respiratoire pour poncer.
- Utilisez des pinces ou tout autre moyen pratique pour fixer et soutenir l'ouvrage sur une plateforme stable. Tenir la pièce travaillée dans vos mains ou contre votre corps la rend instable et peut conduire à une perte de contrôle.
- Le ponçage des peintures au plomb n'est pas recommandé. Avant de poncer de la peinture, consultez la section **Poncer de la peinture au plomb** pour prendre connaissance d'informations complémentaires.
- Nettoyez régulièrement votre outil.
- N'utilisez pas de liquide pour poncer avec cette ponceuse.** Le liquide pourrait pénétrer dans le bloc-moteur et endommager la ponceuse à bande.
- Des décharges d'électricité statique sont possibles dans les lieux secs ou lorsque l'humidité relative de l'air est faible. Cela n'est que temporaire et cela n'empêche pas l'utilisation de la ponceuse à bande. Afin de réduire la fréquence des décharges d'électricité statique, humidifiez l'air, à l'aide d'un humidificateur par exemple.
- Videz le sac à poussière régulièrement.** Et notamment si vous poncer des surfaces revêtues de résine comme le polyuréthane, les vernis, la gomme-laque, etc. L'accumulation des fines particules de poussière de ponçage peut s'enflammer et provoquer un incendie.
- N'utilisez pas cet outil de façon prolongée.** Les vibrations engendrées par l'utilisation de cet outil peuvent provoquer des lésions permanentes aux doigts, aux mains et aux bras. Utilisez des gants pour une meilleure protection, effectuez des pauses fréquentes et limitez l'utilisation quotidienne.
- Il est déconseillé de poncer de la peinture au plomb, du bois traité chimiquement ou d'autres matières pouvant contenir des agents cancérigènes.** Le ponçage de ces matières ne doit être réalisé que par des professionnels.
- Débranchez TOUJOURS l'outil de sa source d'alimentation électrique avant de changer la**

**bande abrasive.** Ces mesures de précaution permettent de réduire le risque que l'outil électrique soit mis en marche accidentellement.

- Veillez à TOUJOURS tenir la ponceuse à bande à deux mains pour ne pas en perdre le contrôle.**
- Afin d'éviter de graves abrasions de la peau, veillez à TOUJOURS garder vos doigts loin de la bande en mouvement et de la zone où la bande entre dans le boîtier.**
- Ne faites pas fonctionner la ponceuse à bande sans que les dispositifs de protection et les caches ne soient correctement en place.**
- Afin d'éviter les blessures, n'utilisez pas cet outil à l'envers sur un support comme ponceuse à bande fixe.** Cet outil n'est pas conçu pour ce type d'utilisations.

## Avertissements et consignes de sécurité spécifiques : Ponceuses

### Ponçage de peinture à base de plomb

Le ponçage de la peinture à base de plomb N'EST PAS RECOMMANDÉ en raison de difficulté à contrôler la poussière contaminée. Le plus grand danger de l'empoisonnement au plomb est pour les enfants et les femmes enceintes.

Étant donné qu'il est difficile d'identifier la peinture qui contient ou non du plomb sans une analyse chimique, nous recommandons les précautions suivantes lorsque vous ponchez toute peinture :

### Sécurité personnelle

- Aucun enfant ou aucune femme enceinte ne doit entrer dans la zone de travail où le ponçage de la peinture est effectué jusqu'à ce que tout le nettoyage soit terminé.
- Un masque anti-poussière ou respiratoire doit être porté par toutes les personnes entrant dans la zone de travail. Le filtre doit être remplacé quotidiennement ou lorsque la personne qui le porte a de la difficulté à respirer.

**REMARQUE :** seulement les masques anti-poussière appropriés pour le travail avec la poussière et les vapeurs de peinture au plomb doivent être utilisés. Les masques de peinture ordinaires n'offrent pas cette protection. Consultez votre quincaillerie locale pour le masque (approuvé NIOSH) adapté.

- Vous NE DEVEZ PAS MANGER, BOIRE ou FUMER dans la zone de travail afin d'empêcher l'ingestion de particules de peinture contaminées. Les travailleurs doivent se laver AVANT de manger, boire ou fumer. Les aliments, les breuvages et les articles liés au tabagisme ne doivent pas être laissés dans la zone de travail où la zone de travail pourrait se déposer sur eux.

### Sécurité environnementale

- La peinture doit être retirée de façon à minimiser la quantité de poussière générée.
- Les zones où le retrait de la peinture se produit doivent être scellées avec une bâche en plastique d'une épaisseur de 4 millièmes de pouce.

- Le ponçage doit être fait de façon à réduire la trajectoire de la poussière de la peinture à l'extérieur de la zone de travail.

### Nettoyage et élimination

- On doit passer l'aspirateur et nettoyer en profondeur toutes les surfaces de la zone de travail quotidiennement pendant la durée du projet de ponçage. Les sacs filtrants de l'aspirateur doivent être changés fréquemment.
- Les bâches en plastique doivent être regroupées et éliminées avec les particules de poussière et autres débris. Elles doivent être placées dans des conteneurs à déchets étanches et éliminées par les procédures normales d'enlèvement des ordures. Pendant le nettoyage, les enfants et les femmes enceintes doivent être tenus à l'écart de la zone de travail immédiate.
- Tous les jouets, les meubles lavables et les ustensiles utilisés par les enfants doivent être soigneusement lavés avant de les réutiliser.

## Renseignements de sécurité supplémentaires

**AVERTISSEMENT** : ne modifiez jamais l'outil électrique ou toute pièce de celui-ci. Cela pourrait entraîner des dommages matériels ou des blessures corporelles.

**AVERTISSEMENT** : portez **TOUJOURS** des lunettes de sécurité. Les lunettes ordinaires NE SONT PAS des lunettes de sécurité. Utilisez également un masque facial si l'opération est poussiéreuse. **PORTEZ TOUJOURS UN ÉQUIPEMENT DE SÉCURITÉ CERTIFIÉ** :

- Protection oculaire ANSI Z87.1 (CAN/CSA Z94.3),
- Protection auditive ANSI S12.6 (S3.19),
- Protection respiratoire NIOSH/OSHA/MSHA.

**AVERTISSEMENT** : certaines poussières créées par le ponçage mécanique, le sciage, l'aiguisage, le perçage et autres activités de construction contiennent des produits chimiques reconnus dans l'État de la Californie pour causer le cancer et des anomalies congénitales ou autres effets nuisibles sur la reproduction. Certains exemples de ces produits chimiques sont :

- le plomb provenant des peintures à base de plomb,
- la silice cristallisée provenant des briques, du ciment et d'autres produits de la maçonnerie ainsi que
- l'arsenic et le chrome provenant du bois de construction traité chimiquement.

Votre risque de ces expositions varie selon la fréquence dont vous effectuez ce type de travail. Pour réduire votre exposition à ces produits chimiques : travaillez dans un endroit bien aéré et avec un équipement de sécurité homologué, comme les masques anti-poussière spécialement conçus pour filtrer les particules microscopiques.

- Portez des vêtements protecteurs et lavez vos zones exposées avec du savon et de l'eau.** Permettre à la poussière d'entrer dans votre bouche, vos yeux ou se

déposer sur la peau peut favoriser l'absorption des produits chimiques dangereux. Dirigez les particules loin du visage et du corps.

**AVERTISSEMENT** : portez toujours une protection auditive personnelle appropriée conforme à ANSI S12.6 (S3.19) durant l'utilisation. Dans certaines conditions et selon la durée d'utilisation, le bruit provenant de ce produit peut contribuer à la perte de l'audition.

- Utilisez le dépoussiéreur approprié pour enlever la grande majorité de la poussière statique et en suspension. Ne pas enlever la poussière statique et en suspension pourrait contaminer l'environnement de travail ou représenter un risque accru pour la santé de l'utilisateur et ceux qui sont à proximité.
- Utilisez des pinces ou d'autres façons pratiques de sécuriser et maintenez la pièce de travail sur une plateforme stable. Tenir la pièce de travail d'une main ou contre votre corps est instable et peut mener à une perte de contrôle et une blessure.
- Les événements couvrent souvent des pièces qui se déplacent et doivent être évités. Des vêtements amples, les bijoux ou les cheveux longs peuvent se coincer dans des pièces qui déplacent.

**ATTENTION** : lorsque vous ne l'utilisez pas, placez l'outil sur le côté sur une surface stable là où cela n'entraînera pas un risque de trébuchement ou de chute. Certains outils avec de gros blocs-piles se tiendront debout sur le bloc-piles, mais ils peuvent facilement être renversés.

L'étiquette sur votre outil peut inclure les symboles suivants. Voici ces symboles et leur signification :


V..... volts	☐..... Fabrication de classe II (double isolation)
Hz..... hertz	n <sub>0</sub> ..... vitesse à vide
min..... minutes	n..... vitesse nominale
— ou CC..... courant continu	PSI..... livres par pouce carré
Ⓛ..... Fabrication de classe I (relié à la terre)	⊕..... borne de terre
.../min..... par minute	⚠..... symbole d'alerte de sécurité
BPM..... battements par minute	⚠..... rayonnement visible — ne regardez pas la lumière
IPM..... impacts par minute	☑..... portez une protection respiratoire
OPM..... oscillations par minute	☑..... portez une protection oculaire
TR/MIN..... tours par minute	☑..... portez des protections auditives
sfpm..... pieds surface par minute	📖..... lisez toute la documentation
SPM..... coups par minute	☒..... ne pas exposer à la pluie
A..... ampères	
W..... watts	
Wh..... watts/heure	
Ah..... ampères/heure	
~ ou CA..... courant alternatif	
Ⓜ ou CA/CC..... courant alternatif ou continu	

## PILES ET CHARGEURS

Le bloc-piles n'est pas entièrement chargé lorsqu'il sort de la boîte. Avant d'utiliser le bloc-piles et le chargeur, lisez attentivement les instructions de sécurité suivantes, puis suivez les procédures de chargement énoncées. Lorsque vous commandez des blocs-piles de remplacement, assurez-vous d'inclure le numéro du catalogue et la tension.

### LISEZ TOUTES LES INSTRUCTIONS

#### Consignes de sécurité importantes pour les blocs-piles

 **AVERTISSEMENT :** lisez toutes les consignes de sécurité, les instructions et les symboles d'avertissements du bloc-piles, du chargeur et du produit. Ne pas suivre les avertissements et les instructions peut entraîner un choc électrique, un incendie et/ou des blessures graves.

- **Ne pas charger ou utiliser le bloc-piles en atmosphères explosibles comme la présence de liquides inflammables, de gaz ou de poussière.** Insérer ou retirer la pile du bloc-piles peut enflammer la poussière ou les vapeurs.
- **Ne JAMAIS forcer le bloc-piles dans le chargeur. NE PAS modifier le bloc-piles de quelque façon que ce soit dans un chargeur non compatible puisque le bloc-piles peut se briser causant une blessure corporelle.** Consultez le tableau à la fin de ce guide pour la compatibilité des blocs-piles et des chargeurs.
- **Chargez les blocs-piles seulement dans CRAFTSMAN.**
- **NE PAS** éclabousser ou immerger dans l'eau ou tout autre liquide.
- **NE PAS** laisser l'eau ou tout liquide entre dans le bloc-piles.
- **Ne pas entreposer ou utiliser l'outil et le bloc-piles dans des endroits où la température peut atteindre ou excéder 40 °C (104 °F) (comme les remises extérieures ou les édifices en métal durant l'été).** Pour une meilleure durée de vie, entreposez le bloc-piles dans un endroit frais et sec.  
**REMARQUE :** ne pas ranger les blocs-piles dans un outil avec la gâchette verrouillée. Ne jamais coller la gâchette avec du ruban adhésif en position Marche.
- **Ne pas brûler le bloc-piles même s'il est gravement endommagé ou est entièrement usé.** Le bloc-piles peut exploser au cours d'un incendie. Des vapeurs et des matières toxiques sont produites lorsque les blocs-piles au lithium-ion sont brûlés.
- **Ne pas exposer de bloc-piles ou l'outil aux flammes ou à des températures excessives.** L'exposition aux flammes ou à une température au-dessus de 130 °C (265 °F) pourrait causer une explosion.
- **Suivez les instructions de recharge et ne chargez pas le bloc-piles ou l'appareil en hors de la plage de températures indiquée dans les instructions.** Charger de façon inappropriée ou hors de températures de la plage indiquée peut endommager la pile et augmenter le risque d'incendie.

- **Si le liquide des piles entre en contact avec la peau, lavez immédiatement avec de l'eau et du savon doux.** Si le liquide vient en contact avec les yeux, rincez à l'eau courante durant 15 minutes, ou jusqu'à ce que l'irritation cesse, en gardant les yeux ouverts. Pour information de consultation médicale, l'électrolyte des piles est composé d'un mélange organique liquide et de sels de lithium.
- **Le contenu des piles peut causer une irritation respiratoire.** Faites circuler de l'air frais. Si les symptômes persistent, consultez un médecin.
- **Le liquide des piles peut être inflammable s'il est exposé aux étincelles ou aux flammes.**
- **Ne jamais tenter d'ouvrir le bloc-piles pour quelque raison que ce soit. Si le boîtier du bloc-piles est fendu ou endommagé, ne pas l'insérer dans le chargeur.** Ne pas écraser, échapper ou endommager le bloc-piles. Ne pas se servir d'un bloc-piles ou chargeur qui a subi un impact, a été échappé, renversé par un véhicule ou endommagé d'une façon ou d'une autre (par ex. perforé par un clou, frappé par un marteau, sur lequel on a marché). Les blocs-piles endommagés devraient être amenés/expédiés au centre de service pour recyclage.

### Recommandations d'entreposage

Le meilleur lieu pour l'entreposage est un endroit frais et sec loin de la lumière directe du soleil et de la chaleur ou du froid excessif. Entreposez le bloc-piles entièrement chargé hors du chargeur.


### Instructions de nettoyage du bloc-piles

La saleté et la graisse peuvent être retirées des surfaces extérieures du bloc-piles à l'aide d'un linge ou d'une brosse souple non métallique. Ne pas utiliser d'eau ou de solution nettoyante.

### Blocs-piles du niveau de la jauge de carburant (Fig. B)

Certains blocs-piles incluent une jauge de carburant. Lorsque vous appuyez et maintenez, les voyants DEL indiqueront le niveau approximatif de charge restante. Cela n'indique pas la fonctionnalité de l'outil et peut varier selon les accessoires utilisés, la température et l'utilisation de l'utilisateur final.

### Transport

-  **AVERTISSEMENT :** danger d'incendie. Ne pas entreposer ou transporter le bloc-piles de manière à ce que des objets métalliques puissent entrer en contact avec les bornes des piles exposées. Par exemple, ne pas placer le bloc-piles dans des tabliers, des poches, des coffres à outils, des boîtes d'ensembles de produits, des tiroirs, etc. avec des clous, des vis, des clés, les pièces de monnaie, les outils à main, etc. Lorsque vous transportez des blocs-piles individuels, assurez-vous que leurs bornes sont protégées et bien isolées de tout matériel avec lequel elles pourraient entrer en contact et causer un court-circuit.
- REMARQUE :** les blocs-piles Li-Ion ne doivent pas être mises dans des bagages enregistrés sur les avions et doivent être bien protégées contre les courts-circuits si elles sont dans des bagages à main.

## Le sceau RBRC®

Veillez apporter vos blocs-piles usagés à un centre de service agréé CRAFTSMAN ou à votre détaillant local pour le recyclage.

Dans certaines régions, il est illégal de mettre les blocs-piles usagés à la poubelle. Vous pouvez aussi contacter votre centre de recyclage local pour des informations sur les endroits où déposer le bloc-piles usagé. Ne pas mettre dans la collecte sélective. Pour de plus amples renseignements, visitez [www.call2recycle.org](http://www.call2recycle.org) ou appelez au numéro sans frais dans le sceau RBRC®.

RBRC® est une marque de commerce déposée de Call 2 Recycle, Inc.



bonne taille à utiliser selon longueur totale des de toutes les rallonges branchées ensemble et l'intensité nominale de la plaque signalétique. En cas de doute, utilisez le calibre le plus lourd suivant.

### Calibre minimum pour rallonges électriques

Volts		Longueur totale de la rallonge en pieds (mètres)			
120V		25 (7,6)	50 (15,2)	100 (30,5)	150 (45,7)
Courant nominal		AWG (American Wire Gauge ou calibre américain normalisé des fils)			
Plus de	Pas plus de				
0	6	18	16	16	14
6	10	18	16	14	12
10	12	16	16	14	12
12	16	14	12	Non recommandé	

## Consignes de sécurité importantes pour tous les chargeurs de piles



**AVERTISSEMENT : lisez toutes les consignes de sécurité, les instructions et les symboles d'avertissements du bloc-piles, du chargeur et du produit. Ne pas suivre les avertissements et les instructions peut entraîner un choc électrique, un incendie et/ou des blessures graves.**

- **NE PAS tenter de charger le bloc-piles avec un chargeur autre qu'un chargeur CRAFTSMAN.** Les chargeurs et les blocs-piles CRAFTSMAN sont spécifiquement conçus pour fonctionner ensemble.
  - **Ces chargeurs ne sont pas destinés à d'autres utilisations que la charge des blocs-piles rechargeables CRAFTSMAN.** Les autres types de chargement de blocs-piles peuvent causer la surchauffe et l'éclatement de ceux-ci, entraînant une blessure corporelle, des dommages matériels, un choc électrique ou une électrocution.
  - **Ne pas exposer le chargeur à la pluie ou la neige.**
  - **Ne pas laisser l'eau ou tout liquide entrer dans le chargeur.**
  - **Tirez la fiche au lieu du cordon lorsque vous débranchez le chargeur.** Cela réduira le risque d'endommager la fiche et le cordon électriques.
  - **Assurez-vous de ne pas placer le cordon là où il pourrait faire trébucher les passants ou être endommagé de quelque façon que ce soit.**
  - **Ne pas utiliser une rallonge à moins que ce ne soit absolument nécessaire.** L'utilisation d'une rallonge inadéquate pourrait entraîner un risque d'incendie un choc électrique ou une électrocution.
  - **Lors de l'utilisation d'un chargeur à l'extérieur, gardez-le toujours au sec et utilisez une rallonge appropriée pour l'extérieur.** L'utilisation d'une rallonge appropriée pour l'extérieur réduit le risque de choc électrique.
  - **Une rallonge doit avoir un calibre de fil (AWG ou calibre américain normalisé des fils) approprié pour la sécurité.** Plus le numéro de calibre du fil est petit, plus le cordon est lourd et par conséquent plus sa capacité est grande. Un cordon de taille inférieure entraînera une chute de tension de secteur ce qui causera une perte de puissance et une surchauffe. Le tableau suivant affiche la
- **Ne pas placer tout objet sur le dessus du chargeur ou placer le chargeur sur une surface molle qui pourrait bloquer les fentes de ventilation et entraîner une chaleur interne excessive.** Placez le chargeur loin de toute source de chaleur. Le chargeur est ventilé grâce aux fentes du dessus et du bas du boîtier.
  - **Ne pas utiliser le chargeur avec un cordon endommagé.** Faites-les remplacer immédiatement.
  - **Ne pas utiliser le chargeur s'il a reçu un choc violent, s'il a été échappé ou est autrement endommagé de quelque façon que ce soit.** Apportez-le dans un centre de services autorisé.
  - **Ne pas démonter le chargeur; apportez-le dans un centre de services autorisé lorsqu'un entretien ou une réparation est nécessaire.** Un mauvais réassemblage peut entraîner un danger de choc électrique, une électrocution ou un incendie.
  - **Le chargeur est conçu pour fonctionner sur une alimentation électrique domestique 120V. Ne pas essayer de l'utiliser sur toute autre tension.** Cette consigne ne concerne pas le chargeur pour véhicule.
  - **Les matières étrangères conductrices telles, mais sans s'y limiter, les poussières de meulage, les copeaux métalliques, la laine d'acier, le papier d'aluminium ou toute accumulation de particules métalliques devraient être éloignées des ouvertures du chargeur et des fentes de ventilation.**
  - **Débranchez toujours le chargeur de l'alimentation lorsqu'il n'y a aucun bloc-piles à l'intérieur.**

## Charger une pile (Fig. C, D, J)

1. Branchez le chargeur dans une prise appropriée.
2. Insérez et appuyez complètement le bloc-piles **10**. Vert clignotera(ont) de façon continue durant le chargement.
3. Le chargement est terminé lorsque le(s) voyant(s) de chargement vert demeure(nt) allumé(s) de façon continue. Le bloc-piles peut être laissé dans le chargeur ou retiré.



**AVERTISSEMENT : chargez seulement le bloc-piles si la température de l'air est au-dessus de 4,5 °C (40 °F) et sous 40 °C (104 °F).**

4. Le chargeur ne chargera pas un bloc-piles défectueux, ce qui peut être indiqué par le(s) voyant(s) de chargement

qui reste(nt) éteint(s). Apportez le chargeur et le bloc-piles dans un centre de services autorisé si le(s) voyant(s) reste(nt) éteint(s).

**REMARQUE :** consultez l'étiquette près du (des) voyant(s) de chargement sur le chargeur pour les modèles de clignotement.

**REMARQUE :** pour retirer le bloc-piles, on doit appuyer sur le bouton de libération du bloc-piles **11** sur certains chargeurs.

### Délai en cas de bloc chaud ou froid

Lorsque le chargeur détecte un bloc-piles qui est trop chaud ou trop froid, il démarre automatiquement le délai pour le bloc chaud/froid, suspendant la recharge jusqu'à ce que la température du bloc-piles ait atteint une température appropriée. Le chargeur passe alors automatiquement en mode de chargement du bloc-piles. Cette fonction assure une durée de vie maximale du bloc-piles.

Un bloc-piles froid peut se charger à une vitesse plus lente qu'un bloc-piles chaud.

Le délai en cas de bloc chaud ou froid sera indiqué par le(s) voyant(s) vert continuant à clignoter, mais avec le voyant rouge allumé de façon continue. Lorsque le bloc-piles a atteint une température appropriée, le voyant rouge s'éteindra et le chargeur reprendra la procédure de chargement.

### Système de protection électronique

Les outils Li-Ion sont conçus avec un système de protection électronique qui protégera le bloc-piles contre une surcharge, une surchauffe et une importante décharge. L'outil s'éteint automatiquement et le bloc-piles doit être rechargé.

### Remarques importantes sur la charge

1. Pour augmenter la durée de vie du bloc-piles et optimiser son rendement, le recharger à une température ambiante de 18 °C à 24 °C (65 °F à 75 °F). NE PAS charger lorsque le bloc-piles est en dessous de 4,5 °C (40 °F) ou au-dessus de 40 °C (104 °F). C'est important pour prévenir tout dommage sérieux au bloc-piles.
2. Le chargeur et le bloc-piles peuvent devenir chauds au toucher durant le chargement. C'est un état normal et cela n'indique pas un problème. Pour faciliter le refroidissement du bloc-piles après l'utilisation, évitez de placer le chargeur ou le bloc-piles dans un environnement chaud comme une remise en métal ou une remorque non isolée.
3. Si le bloc-piles ne charge pas de adéquatement :
  - a. Vérifiez le fonctionnement de la prise en branchant une lampe ou un autre appareil;
  - b. Vérifiez si la prise d'alimentation est connectée à un interrupteur de lumière qui s'éteint lorsque vous éteignez les lumières;
  - c. Si les problèmes de chargement persistent, apportez l'outil, le bloc-piles et le chargeur dans votre centre de services local.
4. Vous pouvez charger un bloc partiellement utilisé au moment désiré sans effet indésirable sur le bloc-piles.

## Instructions de nettoyage du chargeur



**AVERTISSEMENT :** danger de choc électrique. Débranchez le chargeur de la prise CA avant de nettoyer. La saleté et la graisse peuvent être retirées des surfaces extérieures du chargeur à l'aide d'un linge ou d'une brosse souple non métallique. Ne pas utiliser d'eau ou de solution nettoyante.

## Montage mural

Certains chargeurs CRAFTSMAN sont conçus pour pouvoir être installés au mur ou être placés verticalement sur une table ou une surface de travail. Pour la fixation au mur, placez le chargeur près d'une prise de courant et loin d'un coin ou d'autres obstructions qui peuvent nuire à la circulation de l'air. Utilisez la base du chargeur comme modèle pour l'emplacement des vis de montage sur le mur. Fixez solidement le chargeur à l'aide de vis pour cloison sèche (achetées séparément) d'au moins 25,4 mm (1 po) de longueur avec tête de diamètre de 7 mm à 9 mm (0,28 à 0,35 po) vissées dans du bois à une profondeur optimale en laissant exposée une partie de vis d'environ 5,5 mm (7/32 po). Alignez les fentes au dos du chargeur avec les vis exposées et insérez-les entièrement dans les fentes.

**REMARQUE :** ne pas tenter de monter le chargeur CMCB101 sous un banc ou une table.

**REMARQUE :** montez seulement le chargeur CMCB101 avec les voyants de chargement pointés vers le plafond.

## VersaTrack™



**AVERTISSEMENT :** ne pas charger les piles pendant que le chargeur est suspendu au rail mural.

Les chargeurs CRAFTSMAN, sauf CMCB101, peuvent être rangés sur le rail mural VersaTrack™ de Craftsman. Les crochets et les accessoires sont vendus séparément. Veuillez consulter la feuille d'accessoires des fixations VersaTrack™ pour de plus amples renseignements.

**REMARQUE :** le chargeur CMCB101 n'est pas compatible avec le rail mural VersaTrack™ de CRAFTSMAN.

## CONSERVEZ CES INSTRUCTIONS POUR UTILISATION ULTÉRIEURE

## ASSEMBLAGE ET AJUSTEMENTS



**AVERTISSEMENT :** afin de réduire le risque de blessure corporelle grave, éteignez l'outil et retirez le bloc-piles avant d'effectuer tout ajustement ou de retirer/installer des pièces ou des accessoires, lorsque vous remplacez ou avant de nettoyer. Un démarrage accidentel peut causer des blessures.

## Poignée à trois positions (Fig. A)

Pour ajuster la poignée à trois positions **6**, tournez le cadran de position de verrouillage **12** dans le sens antihoraire pour déverrouiller la poignée. Déplacez la poignée à trois positions dans la position voulue. Une fois la poignée en place, tournez le cadran de position de verrouillage dans le sens horaire pour verrouiller la poignée.

## Réglage du suivi de la bande abrasive

### (Fig. E)

**AVERTISSEMENT :** tenez les mains, les doigts et les vêtements amples à l'écart de la bande en mouvement.

Tenez l'outil fermement d'une main, démarrez le moteur et observez le suivi de la bande abrasive. Utilisez l'autre main pour ajuster la molette de réglage du suivi de la bande 7 pour centrer celle-ci. Si la bande dévie vers l'extérieur, tournez la molette de réglage du suivi dans le sens horaire pour la faire dévier vers l'intérieur. Si la bande dévie vers l'intérieur, tournez la molette de réglage du suivi dans le sens antihoraire pour la faire dévier vers l'extérieur.

La durée de service de la bande sera considérablement prolongée en gardant le réglage du suivi bien réglé. Pour éviter que la bande abrasive ne frotte contre le carter de la ponceuse, maintenez le bord de la bande entre environ 2,7 mm (7/64 po) et 5,1 mm (13/64 po) à l'écart du côté capot du carter.

## Remplacement de la bande abrasive

### (Fig. F, G)

**AVERTISSEMENT :** afin de réduire le risque des blessures corporelles graves, éteignez l'outil et retirez le bloc-piles avant d'effectuer tout réglage ou de retirer/installer des pièces ou des accessoires. Un démarrage accidentel peut causer des blessures.

**AVERTISSEMENT :** pour réduire le risque de blessure, assurez-vous que la bande est installée avec les flèches dans le bon sens de rotation. Sinon la bande peut se défaire et créer des conditions dangereuses.

Tirez sur le levier de déblocage rapide 4 présenté dans la Figure F pour libérer la tension de la bande abrasive. Sortez la bande abrasive 1 des deux rouleaux. Placez la nouvelle bande abrasive de 75 mm x 457 mm (3 po x 18 po) en position sur les rouleaux avant et arrière (Figure G). Assurez-vous que les flèches sur la bande abrasive et sur votre ponceuse sont dans le même sens. Tenez l'appareil d'une main et de l'autre poussez le levier vers l'arrière pour tendre la bande abrasive.

## Dépoussiérage (Fig.H)

**AVERTISSEMENT :** risque d'inhalation de la poussière. Afin de réduire le risque de blessure corporelle, portez **TOUJOURS** un masque anti-poussière approuvé.

Un port de dépoussiérage 8 est fourni avec votre outil.

Le port de dépoussiérage permet de raccorder l'outil à un dépoussiéreur externe, à l'aide du système AirLock™ ou d'un dépoussiéreur standard de 32 mm.

**AVERTISSEMENT :** utilisez **TOUJOURS** un dépoussiéreur conçu conformément aux directives applicables concernant les émissions de poussière lorsque vous poncez du bois. Les tuyaux de la plupart des aspirateurs s'ajusteront directement dans la prise du dépoussiéreur.

## Installation et retrait du sac à poussière

### (Fig. I)

**AVERTISSEMENT :** afin de réduire le risque des blessures corporelles graves, éteignez l'outil et retirez le bloc-piles avant d'effectuer tout réglage ou de retirer/installer des pièces ou des accessoires. Un démarrage accidentel peut causer des blessures.

**AVERTISSEMENT :** danger d'incendie. La poussière de ponçage recueillie des revêtements de surfaces poncés (polyuréthane, huile de lin, etc.) peut s'enflammer dans le sac à poussière de la ponceuse ou ailleurs et causer un incendie. Afin de réduire le risque, videz souvent le sac et suivez strictement les instructions de la ponceuse et du fabricant du revêtement.

**AVERTISSEMENT :** danger d'incendie. Lorsque vous poncez du bois susceptible de contenir des clous ou si vous poncez des surfaces métalliques, n'utilisez pas le sac à poussière ou un aspirateur car cela peut créer des étincelles. Portez des lunettes de sécurité et un masque anti-poussière. En raison du risque d'incendie, n'utilisez pas votre ponceuse à bande pour poncer des surfaces en magnésium. Ne pas utiliser pour le ponçage à l'eau.

Lorsque vous utilisez votre ponceuse à courroie, cela produit de la poussière et des grains. Il est important d'utiliser un sac à poussière. Raccordez le sac à poussière 13 en descendant l'ouverture en plastique du sac sur le port de dépoussiérage 8 de la ponceuse. Pour vider le sac à poussière, retirez-le de la ponceuse et ouvrez la fermeture du sac au-dessus d'une poubelle.

## FONCTIONNEMENT

**AVERTISSEMENT :** afin de réduire le risque de blessure corporelle grave, éteignez l'outil et retirez le bloc-piles avant de transporter, d'effectuer tout ajustement, de nettoyer, de réparer ou de retirer/installer des pièces ou des accessoires. Un démarrage accidentel peut causer des blessures.

## Installation et retrait du bloc-piles (Fig. J)


**AVERTISSEMENT :** s'assurer que l'outil/appareil est en position « Off » avant d'insérer le bloc-piles.

**REMARQUE :** pour une meilleure performance, assurez-vous que le bloc-piles est complètement chargé.

1. Pour installer le bloc-piles 10 dans l'outil, alignez le bloc-piles avec les glissières à l'intérieur de la poignée de l'outil et glissez-le dans la poignée jusqu'à ce que le bloc-piles soit bien placé dans l'outil et assurez-vous qu'il est enclenché.
2. Pour retirer le bloc-piles de l'outil, appuyez sur le bouton de libération 11 et tirez-le fermement hors de la poignée de l'outil. Insérez-le dans le chargeur comme indiqué dans la section relative au chargeur du présent manuel.

## Position appropriée des mains (Fig. L)

 **AVERTISSEMENT** : Afin de réduire le risque de blessure corporelle grave, utilisez **TOUJOURS** la position des mains appropriée comme illustré.

 **AVERTISSEMENT** : Afin de réduire le risque de blessure grave, tenez **TOUJOURS** l'appareil solidement en prévision d'une réaction soudaine.

Une position des mains appropriée nécessite une main sur la poignée principale 5 et une main sur la poignée à trois positions 6.

## Gâchette et bouton de verrouillage

### (Fig. A, K, L)

Pour démarrer votre ponceuse à bande, appuyez sur la gâchette 2 comme illustré dans la Figure L. Pour arrêter votre ponceuse à bande, relâchez la gâchette. Pour un fonctionnement en continu, appuyez sur la gâchette puis sur le bouton de verrouillage 3, comme illustré dans la Figure K, et relâchez la gâchette. Pour arrêter votre ponceuse à bande, appuyez sur la gâchette pour débloquer le bouton de verrouillage. Relâchez la gâchette.

## Cadran de vitesse variable (Fig. M)

Votre outil est équipé de 5 réglages de vitesse variable. La vitesse augmente en tournant la molette de basse vitesse 1 vers le réglage de haute vitesse 5.

Pour utiliser l'outil, sélectionnez le réglage de la vitesse que vous souhaitez avec le cadran de vitesse variable 9, illustré dans la Figure M et appuyez sur la gâchette 2 comme illustré dans la Figure L. Le réglage de la vitesse peut être ajusté pendant que l'outil est en marche ou éteint.


Assurez-vous de sélectionner la vitesse appropriée pour votre ponçage. En cas de doute sur la vitesse appropriée pour votre ponçage, testez la performance à basse vitesse et augmentez jusqu'à ce que vous trouviez la bonne vitesse.

## Conseils utiles

- Démarrez toujours la ponceuse à bande avant de la mettre en contact avec l'ouvrage et ne l'éteignez pas avant de l'avoir soulevée de l'ouvrage.
- Tenez toujours votre ponceuse à bande à deux mains.
- Utilisez la bonne bande abrasive adaptée pour le travail à réaliser. Ce qui suit est une liste indicative des grosseurs de grains à utiliser en fonction des différentes matières.


MATIÈRE	GROSSEUR DE GRAIN
Bois dur	80
Plaquage	150
Aggloméré	60/80
Plastique	100
Acier	80 (n'utilisez ni sac à poussière ni aspirateur car les étincelles émises pourraient enflammer les particules aspirées)
Retrait de peinture	40/60
Balsa	100
Acrylique	100 40/60 100

## ENTRETIEN

 **AVERTISSEMENT** : afin de réduire le risque de blessures corporelles graves, arrêtez l'appareil et, retirez le blocs-piles avant d'effectuer tout réglage ou de retirer/installer des pièces ou des accessoires. Un démarrage accidentel peut causer des blessures.


Votre chariot CRAFTSMAN a été conçu pour fonctionner sur une longue période avec un minimum d'entretien. Un fonctionnement satisfaisant continu dépend de l'entretien approprié et d'un nettoyage régulier de l'outil.


## Accessoires


 **AVERTISSEMENT** : les accessoires autres que CRAFTSMAN n'ayant pas été testés avec ce produit, leur utilisation avec cet outil peut s'avérer dangereuse. Pour réduire le risque de blessure, seuls les accessoires recommandés par CRAFTSMAN doivent être utilisés avec ce produit.


Les accessoires recommandés pour utilisation avec cet outil sont disponibles à un coût supplémentaire chez votre détaillant local ou dans un centre de services autorisé. Si vous avez besoin d'aide pour localiser un accessoire, contactez CRAFTSMAN. Appelez au **1-888-331-4569**.

## Versatrack<sup>MC</sup> (Fig. N)


 **AVERTISSEMENT** : afin de réduire le risque de blessure corporelle, éteignez l'appareil et retirez le bloc-piles avant d'effectuer tout ajustement ou de retirer/installer des pièces ou des accessoires. Un déclenchement accidentel du démarrage peut causer des blessures.


 **AVERTISSEMENT** : afin de réduire le risque de blessures graves, ne pas utiliser un crochet de suspension Versatrack<sup>MC</sup> ou rail mural Versatrack<sup>MC</sup> endommagé. Un crochet de suspension Versatrack<sup>MC</sup> ou un rail Versatrack<sup>MC</sup> endommagé ne supportera pas le poids de l'outil.

 **AVERTISSEMENT** : pour réduire le risque de blessures graves, assurez-vous que la vis maintenant le crochet de suspension Versatrack<sup>MC</sup> est bien serrée.

 **AVERTISSEMENT** : afin de réduire le risque de blessures graves, NE PAS suspendre l'outil au-dessus du niveau de la tête ou suspendre d'autres objets à partir du crochet de suspension. Suspendez SEULEMENT l'outil sur le rail mural Versatrack<sup>MC</sup>. À l'aide du crochet de suspension Versatrack<sup>MC</sup>.

 **AVERTISSEMENT** : le crochet de suspension intégré Versatrack<sup>MC</sup> n'est pas un crochet pour courroie.

 **AVERTISSEMENT** : assurez-vous que le poids de l'outil ne dépasse pas le poids nominal maximum de 9 kg (20 lb) pour le crochet Versatrack<sup>MC</sup> sélectionné.

 **AVERTISSEMENT** : lorsque vous suspendez des objets sur un rail mural Versatrack<sup>MC</sup>, distancer adéquatement les outils de sorte à ne pas excéder 35 kg (75 lb) par pied linéaire.



**IMPORTANT :** Lors de la fixation du crochet de suspension Versatrack<sup>MC</sup>, utilisez uniquement la vis fournie. Assurez-vous de bien serrer la vis. Les accessoires Versatrack<sup>MC</sup> permettent de monter les outils compatibles en toute sécurité sur le système VersaTrack<sup>MC</sup> Trackwall.

1. Éteignez l'outil retirez le bloc-piles et retirez les accessoires.



**ATTENTION :** tout produit avec dents coupantes exposées doit être couvert de façon sécuritaire s'il doit être mis sur le Versatrack<sup>MC</sup> Trackwall.

2. Attachez le crochet de suspension **14** sur l'outil.
  - a. Placez le crochet de suspension Versatrack<sup>MC</sup> sur l'emplacement de montage **15** à la base de l'outil.
  - b. Utilisez un tournevis pour fixer le crochet de suspension avec la vis fournie **16**. N'utilisez aucune autre vis pour cela.

**REMARQUE :** les accessoires Versatrack<sup>MC</sup> pour utilisation avec cet outil sont disponibles à un coût supplémentaire chez votre détaillant local ou dans un centre de services autorisé. Si vous avez besoin d'aide pour trouver un accessoire, veuillez contacter CRAFTSMAN, appelez au **1-888-331-4569**.

## Nettoyage



**AVERTISSEMENT :** enlever les saletés et la poussière hors des événements au moyen d'air comprimé propre et sec, au moins une fois par semaine. Pour minimiser le risque de blessure aux yeux, toujours porter une protection oculaire conforme à la norme ANSI Z87.1 lors du nettoyage.



**AVERTISSEMENT :** ne jamais utiliser de solvants ni d'autres produits chimiques puissants pour nettoyer les pièces non métalliques de l'outil. Ces produits chimiques peuvent affaiblir les matériaux de plastique utilisés dans ces pièces. Utiliser un chiffon humecté uniquement d'eau et de savon doux. Ne jamais laisser de liquide pénétrer dans l'outil et n'immerger aucune partie de l'outil dans un liquide.

## Réparations

Le chargeur et le bloc-piles ne sont pas réparables. Le chargeur ou le bloc-piles ne comportent aucune pièce réparable.



**AVERTISSEMENT :** pour assurer la SÉCURITÉ et la FIABILITÉ du produit, les réparations, l'entretien et les réglages doivent être réalisés (cela comprend l'inspection et le remplacement du balai, le cas échéant) par un centre de réparation en usine ou un centre de réparation agréé. Toujours utiliser des pièces de rechange identiques.

## Enregistrez-vous en ligne

Nous vous remercions de votre achat. Enregistrez votre produit maintenant pour :

- **SERVICE DE GARANTIE :** l'enregistrement de votre produit en ligne vous aide à obtenir un service de garantie efficace au cas où vous auriez un problème avec votre produit.
- **CONFIRMATION DE PROPRIÉTÉ :** en cas de pertes liées aux assurances telles qu'un incendie, une inondation

ou un vol, votre enregistrement de propriété servira de preuve de votre achat.

- **POUR VOTRE SÉCURITÉ :** l'enregistrement de votre produit nous permet de vous contacter dans le cas peu probable d'une notification de sécurité requise selon le Federal Consumer Safety Act.
- Inscrivez-vous en ligne sur [www.craftsman.com/support](http://www.craftsman.com/support).

## Garantie limitée de trois ans

Pour les conditions de la garantie, consultez le site <https://www.craftsman.com/support/warranty>.

Pour demander une copie écrite des conditions de la garantie, contactez : service à la clientèle chez CRAFTSMAN, 701 East Joppa Road, Towson, MD 21286 ou appelez le **1-888-331-4569**.

**AMÉRIQUE LATINE :** la présente garantie ne s'applique pas aux produits vendus en Amérique Latine. Pour les produits vendus en Amérique Latine, consultez les renseignements sur la garantie particulière au pays comprise dans l'emballage, appelez l'entreprise locale ou consultez le site Web pour les renseignements complets sur la garantie.

**REMPLACEMENT DES ÉTIQUETTES D'AVERTISSEMENT GRATUIT :** si vos étiquettes d'avertissement deviennent illisibles ou sont manquantes, appelez au **1-888-331-4569** pour un remplacement gratuit.



**ADVERTENCIA:** Lea todas las advertencias de seguridad e instrucciones. El incumplimiento de las advertencias e instrucciones puede provocar descargas eléctricas, incendios o lesiones graves.



**ADVERTENCIA:** Para reducir el riesgo de lesiones, lea el manual de instrucciones.

## Uso Debido

Esta lijadora de bande aleatoria ha sido diseñada para lijar madera, metal, plástico y superficies pintadas.

**NO** utilice la herramienta en condiciones de humedad o en presencia de líquidos o gases inflamables.

Esta lijadora de bande es una herramienta eléctrica profesional.

**NO** permita que los niños toquen la herramienta. Si el operador no tiene experiencia operando esta herramienta, su uso deberá ser supervisado.

## Definiciones: Símbolos y Palabras de

### Alerta de Seguridad

Las siguientes definiciones describen el nivel de gravedad de cada palabra de advertencia. Lea el manual de la herramienta eléctrica y preste atención a estos símbolos.



**PELIGRO:** Indica una situación de peligro inminente que, si no se evita, **provocará la muerte o lesiones graves.**



**ADVERTENCIA:** Indica una situación de peligro potencial que, si no se evita, **podría provocar la muerte o lesiones graves.**



**ATENCIÓN:** Indica una situación de peligro potencial que, si no se evita, **posiblemente provocaría lesiones leves o moderadas.**



**AVISO:** Se refiere a una práctica **no relacionada a lesiones corporales** que de no evitarse puede resultar en **daños a la propiedad.**  
(Utilizado sin palabras) Indica un mensaje de seguridad relacionado.

## ADVERTENCIAS GENERALES DE SEGURIDAD PARA HERRAMIENTAS ELÉCTRICAS



**ADVERTENCIA:** Lea todas las advertencias de seguridad, instrucciones, ilustraciones y especificaciones incluidas con esta herramienta eléctrica. La falla en seguir todas las instrucciones siguientes puede resultar en descarga eléctrica, incendio y/o lesiones serias.

## CONSERVE TODAS LAS ADVERTENCIAS E INSTRUCCIONES PARA FUTURAS CONSULTAS.

El término "herramienta eléctrica" incluido en las advertencias hace referencia a las herramientas eléctricas operadas con corriente (con cable eléctrico) o a las herramientas eléctricas operadas con baterías (inalámbricas).

## 1) Seguridad en el Área de Trabajo

- Mantenga el área de trabajo limpia y bien iluminada.** Las áreas abarrotadas y oscuras propician accidentes.
- No opere las herramientas eléctricas en atmósferas explosivas, como ambientes donde haya polvo, gases o líquidos inflamables.** Las herramientas eléctricas originan chispas que pueden encender el polvo o los vapores.
- Mantenga alejados a los niños y a los espectadores de la herramienta eléctrica en funcionamiento.** Las distracciones pueden provocar la pérdida de control.

## 2) Seguridad Eléctrica

- Los enchufes de la herramienta eléctrica deben adaptarse al tomacorriente. Nunca modifique el enchufe de ninguna manera. No utilice ningún enchufe adaptador con herramientas eléctricas con conexión a tierra.** Los enchufes no modificados y que se adaptan a los tomacorrientes reducirán el riesgo de descarga eléctrica.
- Evite el contacto corporal con superficies con descargas a tierra como, por ejemplo, tuberías, radiadores, cocinas eléctricas y refrigeradores.** Existe mayor riesgo de descarga eléctrica si su cuerpo está puesto a tierra.
- No exponga las herramientas eléctricas a la lluvia o a condiciones de humedad.** Si entra agua a una herramienta eléctrica, aumentará el riesgo de descarga eléctrica.
- No maltrate el cable. Nunca utilice el cable para transportar, tirar o desenchufar la herramienta eléctrica. Mantenga el cable alejado del calor, el aceite, los bordes filosos y las piezas móviles.** Los cables dañados o enredados aumentan el riesgo de descarga eléctrica.
- Al operar una herramienta eléctrica en el exterior, utilice un cable prolongador adecuado para tal uso.** Utilice un cable adecuado para uso en exteriores a fin de reducir el riesgo de descarga eléctrica.
- Si el uso de una herramienta eléctrica en un lugar húmedo es imposible de evitar, utilice un suministro protegido con un interruptor de circuito por falla a tierra (GFCI).** El uso de un GFCI reduce el riesgo de descargas eléctricas.

## 3) Seguridad Personal

- Permanezca alerta, controle lo que está haciendo y utilice el sentido común cuando emplee una herramienta eléctrica. No utilice una herramienta eléctrica si está cansado o bajo el efecto de drogas, alcohol o medicamentos.** Un momento de descuido mientras se opera una herramienta eléctrica puede provocar lesiones personales graves.
- Utilice equipos de protección personal. Siempre utilice protección para los ojos.** En las condiciones adecuadas, el uso de equipos de protección,

como máscaras para polvo, calzado de seguridad antideslizante, cascos o protección auditiva, reducirá las lesiones personales.

- c) **Evite el encendido por accidente. Asegúrese de que el interruptor esté en la posición de apagado antes de conectarlo a la fuente de energía o paquete de baterías, o antes de levantar o transportar la herramienta.** Transportar herramientas eléctricas con el dedo apoyado en el interruptor o enchufar herramientas eléctricas con el interruptor en la posición de encendido puede propiciar accidentes.
- d) **Retire la clavija de ajuste o la llave de tuercas antes de encender la herramienta eléctrica.** Una llave de tuercas o una clavija de ajuste que quede conectada a una pieza giratoria de la herramienta eléctrica puede provocar lesiones personales.
- e) **No se estire. Conserve el equilibrio y párese adecuadamente en todo momento.** Esto permite un mejor control de la herramienta eléctrica en situaciones inesperadas.
- f) **Use la vestimenta adecuada. No use ropas holgadas ni joyas. Mantenga el cabello, la ropa y los guantes alejados de las piezas en movimiento.** Las ropas holgadas, las joyas o el cabello largo pueden quedar atrapados en las piezas en movimiento.
- g) **Si se suministran dispositivos para la conexión de accesorios con fines de recolección y extracción de polvo, asegúrese de que estén conectados y que se utilicen correctamente.** El uso de dispositivos de recolección de polvo puede reducir los peligros relacionados con el polvo.
- h) **No permita que la familiaridad obtenida a partir del uso frecuente de herramientas le permitan volverse descuidado e ignorar los principios de seguridad de la herramienta.** Una acción descuidada puede causar lesiones severas en una fracción de segundo.

#### 4) Uso y Mantenimiento de la Herramienta Eléctrica

- a) **No fuerce la herramienta eléctrica. Utilice la herramienta eléctrica correcta para el trabajo que realizará.** Si se la utiliza a la velocidad para la que fue diseñada, la herramienta eléctrica correcta permite trabajar mejor y de manera más segura.
- b) **No utilice la herramienta eléctrica si no puede encenderla o apagarla con el interruptor.** Toda herramienta eléctrica que no pueda ser controlada mediante el interruptor es peligrosa y debe repararse.
- c) **Desconecte el enchufe de la fuente de alimentación y/o retire la batería, o paquete si es desmontable, de la herramienta eléctrica antes de realizar cualquier ajuste, cambiar accesorios o almacenar herramientas eléctricas.** Estas medidas de seguridad preventivas reducen el riesgo de encender la herramienta eléctrica en forma accidental.

- d) **Guarde la herramienta eléctrica que no esté en uso fuera del alcance de los niños y no permita que otras personas no familiarizadas con ella o con estas instrucciones operen la herramienta.** Las herramientas eléctricas son peligrosas si son operadas por usuarios no capacitados.
- e) **Dé mantenimiento a las herramientas eléctricas y accesorios. Revise que no haya piezas en movimiento mal alineadas o trabadas, piezas rotas o cualquier otra situación que pueda afectar el funcionamiento de la herramienta eléctrica. Si encuentra daños, haga reparar la herramienta eléctrica antes de utilizarla.** Se producen muchos accidentes a causa de las herramientas eléctricas que carecen de un mantenimiento adecuado.
- f) **Mantenga las herramientas de corte afiladas y limpias.** Las herramientas de corte con mantenimiento adecuado y con los bordes de corte afilados son menos propensas a trabarse y son más fáciles de controlar.
- g) **Utilice la herramienta eléctrica, los accesorios y las brocas de la herramienta, etc. de acuerdo con estas instrucciones y teniendo en cuenta las condiciones de trabajo y el trabajo que debe realizarse.** El uso de la herramienta eléctrica para operaciones diferentes de aquéllas para las que fue diseñada podría originar una situación peligrosa.
- h) **Mantenga las manijas y superficies de sujeción secas, limpias y libres de aceite y grasa.** Las manijas y superficies de sujeción resbalosas no permiten el manejo y control seguros de la herramienta en situaciones inesperadas.

#### 5) Uso y Mantenimiento de la Herramienta con Baterías

- a) **Recargue solamente con el cargador especificado por el fabricante.** Un cargador adecuado para un tipo de paquete de baterías puede originar riesgo de incendio si se utiliza con un paquete de baterías.
- b) **Utilice herramientas eléctricas sólo con paquetes de baterías específicamente diseñados.** El uso de cualquier otro paquete de baterías puede producir riesgo de incendio y lesiones.
- c) **Cuando no utilice el paquete de baterías, manténgalo lejos de otros objetos metálicos como sujetapapeles, monedas, llaves, clavos, tornillos u otros objetos metálicos pequeños que puedan realizar una conexión desde un terminal al otro.** Los cortocircuitos en los terminales de la batería pueden provocar quemaduras o incendio.
- d) **En condiciones abusivas, el líquido puede ser expulsado de la batería. Evite su contacto. Si entra en contacto accidentalmente, enjuague con agua. Si el líquido entra en contacto con los ojos, busque atención médica.** El líquido expulsado de la batería puede provocar irritación o quemaduras.
- e) **No use un paquete de batería o herramienta que estén dañados o modificados.** Las baterías dañadas

o modificadas pueden presentar un comportamiento impredecible que resulte en incendios, explosión o riesgo de lesiones.

- f) **No exponga un paquete de batería o una herramienta a fuego o temperatura excesiva.** La exposición a fuego o temperaturas mayores a 130 °C (265 °F) pueden causar una explosión.
- g) **Siga todas las instrucciones de carga y no cargue el paquete de batería o la herramienta fuera del rango de temperatura especificado en las instrucciones.** Cargar inadecuadamente o en una temperatura fuera del rango de temperatura especificado puede dañar la batería e incrementar el riesgo de incendio.

## 6) Mantenimiento

- a) **Solicite a una persona calificada en reparaciones que realice el mantenimiento de su herramienta eléctrica y que sólo utilice piezas de repuesto idénticas.** Esto garantizará la seguridad de la herramienta eléctrica.
- b) **Nunca dé servicio a paquetes de batería dañados.** El servicio de paquetes de batería sólo debe ser realizado por el fabricante o proveedores de servicio autorizados.

## Advertencias de Seguridad Adicionales de Lijadora de Banda

- Siempre use protección para los ojos adecuada y un respirador cuando lije.
- Use abrazaderas u otra manera práctica para asegurar y soportar la pieza de trabajo a una plataforma estable. Sostener la pieza de trabajo a mano o contra su cuerpo lo hace inestable y puede guiar a la pérdida de control.
- No se recomienda lijar pintura a base de plomo. Consulte **Lijado de Pintura a base de plomo** para obtener información adicional antes de lijar pintura.
- Limpie su herramienta periódicamente.
- **No lije en húmedo con esta lijadora.** Los líquidos pueden entrar en el alojamiento del motor y causar daño a la lijadora de banda.
- Las descargas estáticas son posibles en áreas secas o cuando la humedad relativa del aire es baja. Esto es sólo temporal y no afecta el uso de la lijadora de banda. Para reducir la frecuencia de descargas estáticas, agregue humedad al aire con una consola, o humidificador instalado.
- **Vacíe la bolsa de polvo con frecuencia.** Especialmente cuando se lijan superficies revestidas de resina, como poliuretano, barniz, goma laca, etc. La acumulación de partículas finas de polvo de lijado puede encenderse y provocar un incendio.
- **No opere esta herramienta por largos periodos de tiempo.** La vibración causada por la acción de operación de esta herramienta puede causar lesiones permanentes en los dedos, las manos y los brazos. Use guantes para proporcionar un acojinamiento adicional, tome descansos frecuentes y limite el tiempo de uso diario.

- **No se recomienda lijar pintura con base de plomo, madera tratada químicamente a presión u otros materiales que puedan contener carcinógenos.** El lijado de estos materiales sólo debe ser realizado por un profesional.
- **SIEMPRE desconecte la herramienta de la fuente de energía antes de cambiar las bandas abrasivas.** Dichas medidas preventivas de seguridad reducen el riesgo de arrancar la herramienta eléctrica accidentalmente.
- **SIEMPRE mantenga un agarre firme con ambas manos en las manijas de la lijadora de banda para evitar la pérdida de control.**
- **SIEMPRE mantenga los dedos alejados de la cinta en movimiento y las áreas donde la banda entra en el alojamiento para evitar una abrasión severa.**
- **No opere la lijadora de banda sin todas las protecciones y cubiertas aseguradas en su lugar.**
- **Para evitar lesiones, no use esta herramienta en un soporte que la invierta para utilizarla como una lijadora de cinta estacionaria.** Esta herramienta no está hecha para esa aplicación.

## Advertencias e Instrucciones de Seguridad Específicas: Lijadoras

### Lijado de Pintura a Base de Plomo

NO SE RECOMIENDA el lijado de pintura a base de plomo debido a la dificultad de controlar el polvo contaminado. El mayor peligro de envenenamiento por plomo es para niños y mujeres embarazadas.

Ya que es difícil identificar si una pintura contiene plomo o no sin un análisis químico, recomendamos las siguientes precauciones al lijar cualquier pintura:

### Seguridad Personal

- Ningún niño o mujer embarazada debe ingresar al área de trabajo donde se realiza el lijado de pintura hasta que se complete la limpieza.
- Todas las personas que entren en el área de trabajo deben usar una máscara contra el polvo o un respirador. El filtro debe reemplazarse diariamente o siempre que el usuario tenga dificultad para respirar.

**NOTA:** Sólo deben utilizarse las máscaras contra el polvo adecuadas para trabajar con polvo y humo de pintura con plomo. Las máscaras de pintura ordinaria no ofrecen esta protección. Consulte a su distribuidor de herramientas local para obtener una máscara adecuada (aprobada por NIOSH).

- **NO SE DEBE COMER, BEBER o FUMAR** en el área de trabajo para evitar la ingestión de partículas de pintura contaminadas. Los trabajadores deben lavarse y limpiar ANTES de comer, beber o fumar. Los artículos de comida, bebida o para fumar no se deben dejar en el área de trabajo donde el polvo se acumularía sobre ellos.

### Seguridad ambiental

- La pintura debe eliminarse de tal manera que se minimice la cantidad de polvo generado.
- Las áreas donde se produce la remoción de pintura deben sellarse con láminas de plástico de 4 milésimas de espesor.

- El lijado debe realizarse de manera que se reduzca el rastro de polvo de pintura fuera del área de trabajo.

**Limpieza y Desecho**

- Todas las superficies en el área de trabajo deben aspirarse y limpiarse de forma minuciosa diariamente durante la duración del proyecto de lijado. Las bolsas de filtro de aspirado deben cambiarse con frecuencia.
- Los trapos de plástico deben recogerse y desecharse junto con las virutas de polvo u otros desechos de eliminación. Deben colocarse en recipientes de basura sellados y eliminarse mediante procedimientos regulares de recolección de basura. Durante la limpieza, los niños y las mujeres embarazadas deben mantenerse alejados del área de trabajo inmediata.
- Todos los juguetes, muebles lavables y utensilios utilizados por los niños deben lavarse bien antes de volver a usarlos.

**Información de Seguridad Adicional**

**⚠️ ADVERTENCIA:** Nunca modifique la herramienta eléctrica o ninguna parte de ella. Podría resultar en daño o lesiones personales.

**⚠️ ADVERTENCIA: SIEMPRE** use gafas de seguridad. Las gafas de uso diario NO son gafas de seguridad. También use una careta o máscara de polvo si la operación produce polvo. SIEMPRE USE EQUIPO DE SEGURIDAD CERTIFICADO:

- Protección para los ojos ANSI Z87.1 (CAN/CSA Z94.3),
- Protección auditiva ANSI S12.6 (S3.19),
- Protección respiratoria NIOSH/OSHA/MSHA.

**⚠️ ADVERTENCIA:** Algún polvo creado por lijado, aserrado, pulido, perforación eléctricos y otras actividades de construcción contienen químicos conocidos por el Estado de California como causantes de cáncer, defectos de nacimiento u otros daños reproductivos. Algunos ejemplos de estos químicos son:

- plomo a partir de pinturas a base de plomo,
- sílice cristalino de ladrillos y cemento y otros productos de mampostería, y
- arsénico y cromo a partir de madera tratada químicamente.

Su riesgo a partir de estas exposiciones varía, dependiendo de qué tan a menudo realice este tipo de trabajo. Para reducir su exposición a estos químicos: trabaje en un área bien ventilada, y trabaje con equipo de seguridad aprobado, tal como máscaras de polvo que estén diseñadas específicamente para filtrar partículas microscópicas.

- Use ropa de protección y lave las áreas expuestas con agua y jabón. Permitir que el polvo entre en su boca, ojos, o que quede sobre la piel puede promover la absorción de químicos peligrosos. Dirija las partículas lejos de la cara y el cuerpo.

**⚠️ ADVERTENCIA:** Siempre use protección auditiva personal adecuada que cumpla con ANSI S12.6 (S3.19) durante el uso. Bajo algunas condiciones

y duración de uso, el ruido de este producto puede contribuir con la pérdida auditiva.

- Use la aspiradora de extracción de polvo adecuada para retirar la mayoría de polvo estático y transportado por aire. La falla en retirar el polvo estático y transportado por aire podría contaminar el ambiente de trabajo y presentar un riesgo de salud mayor al operador y personas en las cercanías.
- Use abrazaderas u otras maneras prácticas para asegurar y soportar la pieza de trabajo a una plataforma estable. Sostener la pieza de trabajo a mano o contra su cuerpo es inestable y puede guiar a la pérdida de control y lesiones.
- Las ventilas de aire a menudo cubren las partes móviles y se deben evitar. La ropa suelta, joyería, o cabello largo podrían quedar atrapados en las partes móviles.

**⚠️ ATENCIÓN:** Cuando no esté en uso, coloque la herramienta en su lado sobre una superficie estable donde no cause un peligro de tropiezo o caída. Algunas herramientas con paquetes de batería grandes pueden quedar verticales sobre el paquete de batería pero se pueden voltear fácilmente.

La etiqueta en su herramienta puede incluir los siguientes símbolos. Los símbolos y sus definiciones son los siguientes:


V..... voltios	⚡ o CA/CD..... corriente alterna o directa
Hz.....hertz	☐..... Construcción Clase II (aislamiento doble)
min..... minutos	n <sub>0</sub> ..... sin carga nominal
— — — o CD..... corriente directa	n..... velocidad nominal
⚠️..... Construcción Clase I (conectada a tierra)	PSI..... libras por pulgada cuadrada
... /min..... por minuto	⊕..... terminal de tierra
BPM..... golpes por minuto	⚠️..... símbolo de alerta de seguridad
IPM..... impactos por minuto	⚠️..... radiación visible—no mirar directamente a la luz
OPM..... oscilaciones por minuto	☑️..... usar protección respiratoria
RPM..... revoluciones por minuto	👁️..... usar protección para los ojos
sfp/m..... pies de superficie por minuto	👂..... usar protección auditiva
SPM..... carreras por minuto	📖..... lea toda la documentación
A..... amperios	
W..... watts	
Wh..... watt horas	
Ah..... amperios hora	
~ o CA..... corriente alterna	
⊘..... no exponga a la lluvia	

**BATERÍAS Y CARGADORES**

El paquete de batería no está completamente cargado cuando se retira del cartón. Antes de usar la batería y el cargador, lea las siguientes instrucciones de seguridad y luego siga los procedimientos de carga descritos. Cuando solicite paquetes de baterías de repuesto, asegúrese de incluir el número de catálogo y el voltaje.

## LEA TODAS LAS INSTRUCCIONES

### Instrucciones de Seguridad Importantes para Todos los Paquetes de Batería

-  **ADVERTENCIA:** Lea todas las advertencias de seguridad, instrucciones y marcas de precaución para el paquete de la batería, el cargador y el producto. La falla en seguir las advertencias e instrucciones puede resultar en descarga eléctrica, incendio y/o lesiones serias.
- **No cargue o use el paquete de batería en atmósferas explosivas, como en la presencia de líquidos, gases o polvo inflamables.** Insertar o retirar el paquete de batería del cargador puede encender el polvo y los vapores.
- **NUNCA fuerce el paquete de batería dentro del cargador. NO modifique el paquete de batería en ninguna forma para instalarlo en un cargador no compatible ya que el paquete de batería se puede romper causando lesiones personales serias.** Consulte la tabla al final de este manual respecto a compatibilidad de las baterías y cargadores.
- **Cargue los paquetes de batería sólo en CRAFTSMAN.**
- **NO salpique ni sumerja en agua u otros líquidos.**
- **NO permita que agua o ningún otro líquido entre al paquete de batería.**
- **No almacene ni use la herramienta y el paquete de baterías en lugares donde la temperatura pueda alcanzar o exceder los 40 °C (104 °F) (como cobertizos exteriores o edificios de metal en verano).** Para obtener la mejor vida útil, guarde los paquetes de baterías en un lugar fresco y seco.  
**NOTA: No guarde los paquetes de baterías en una herramienta con el interruptor de gatillo bloqueado. Nunca sujete con cinta el interruptor de gatillo en la posición ON.**
- **No incinere el paquete de batería incluso si está dañado severamente o está completamente agotado.** El paquete de batería pueden explotar en el fuego. Se crean humos y materiales tóxicos cuando se queman los paquetes de baterías de ion de litio.
- **No exponga un paquete de batería o una herramienta a fuego o temperatura excesiva.** La exposición a fuego o temperaturas mayores a 130 °C (265 °F) pueden causar una explosión.
- **Siga todas las instrucciones de carga y no cargue el paquete de batería o el aparato fuera del rango de temperatura especificado en las instrucciones.** Cargar inadecuadamente o en una temperatura fuera del rango especificado puede dañar la batería e incrementar el riesgo de incendio.
- **Si el contenido de la batería entra en contacto con la piel, lave de inmediato el área con jabón suave y agua.** Si el líquido de la batería entra en los ojos, enjuague con agua sobre el ojo abierto durante 15 minutos o hasta que desaparezca la irritación. Si se necesita atención

médica, el electrolito de la batería está compuesto por una mezcla de carbonatos orgánicos líquidos y sales de litio.

- **El contenido de las celdas de batería abiertas puede causar irritación respiratoria.** Proporcione aire fresco. Si los síntomas persisten, busque atención médica.
- **El líquido de la batería puede ser inflamable si se expone a chispas o llamas.**
- **Nunca intente abrir el paquete de baterías por ninguna razón. Si la caja del paquete de baterías está agrietada o dañada, no la inserte en el cargador.**  
No aplaste, deje caer o dañe el paquete de la batería. No use un paquete de baterías o cargador que haya recibido un golpe fuerte, se haya dejado caer, se haya aplastado o dañado de cualquier manera (por ej., perforado con un clavo, golpeado con un martillo, o pisado). Los paquetes de batería dañados se deben regresar al centro de servicio para reciclaje.

### Recomendaciones de Almacenamiento

El mejor lugar de almacenamiento es aquel que es fresco y seco, alejado de la luz solar directa y del exceso de calor o frío. Guarde el paquete de batería completamente cargado fuera del cargador.


### Instrucciones de Limpieza de Paquete de Batería

La suciedad y grasa se pueden retirar del exterior de la paquete de batería con una tela o cepillo no metálico suave. No use agua o ninguna solución de limpieza.

### Paquetes de Baterías de Indicador de Combustible (Fig. B)

Algunos paquetes de batería incluyen un indicador de combustible. Cuando se presiona y sostiene el botón de indicador de combustible, las luces LED indicarán el nivel de carga aproximado restante. Éste no indica la funcionalidad de la herramienta y está sujeto a variación en base a los componentes del producto, la temperatura y la aplicación del usuario final.

### Transporte

-  **ADVERTENCIA: Riesgo de incendio. No guarde, transporte, o lleve el paquete de batería de forma que objetos de metal puedan tener contacto con las terminales expuestas de la batería.** Por ejemplo, no coloque la batería en delantales, bolsillos, cajas de herramientas, cajas de juego de productos, cajones, etc., con clavos sueltos, tornillos, llaves, monedas, herramientas manuales, etc. Al transportar paquetes de baterías individuales, asegúrese que las terminales de la batería estén protegidas y bien aisladas de materiales que puedan entrar en contacto con ellas y causar un cortocircuito. **NOTA:** Los paquetes de batería de ion de litio no se deben colocar en equipaje de mano en aviones y se deben proteger adecuadamente contra corto circuito si están en el equipaje registrado.

## El Sello RBRC®

Lleve sus paquetes de batería agotados a un centro de servicio autorizado CRAFTSMAN o a su minorista local para reciclarlos. En algunas áreas, es ilegal colocar paquetes de batería gastados en la basura. También puede comunicarse con su centro de reciclaje local para obtener información sobre dónde dejar el paquete de batería agotado. No las coloque en el reciclaje de la acera. Para información adicional visite [www.call2recycle.org](http://www.call2recycle.org).

O llame al número de larga distancia gratuito en el Sello RBRC®. RBRC® es una marca comercial registrada de Call 2 Recycle, Inc.



## Instrucciones de Seguridad Importantes para Todos los Cargadores de Batería



**ADVERTENCIA:** Lea todas las advertencias de seguridad, instrucciones y marcas de precaución para el paquete de la batería, el cargador y el producto. La falla en seguir las advertencias e instrucciones puede resultar en descarga eléctrica, incendio y/o lesiones serias.

- **NO intente cargar el paquete de batería con ningún cargador diferente a un cargador CRAFTSMAN.** Los cargadores y paquetes de batería CRAFTSMAN están diseñados específicamente para funcionar juntos.
- **Estos cargadores no están diseñados para usos diferentes a cargar paquetes de batería CRAFTSMAN recargables.** Cargar otros tipos de baterías puede causar que se sobrecalienten y exploten, resultando en lesiones personales, daño a la propiedad, incendio, descarga eléctrica o electrocución.
- **No exponga el cargador a la lluvia o la nieve.**
- **NO permita que agua o ningún otro líquido entre al cargador.**
- **Jale por el enchufe en lugar del cable cuando desconecte el cargador.** Esto reducirá el riesgo de daños al enchufe y cable eléctricos.
- **Asegúrese que el cable esté ubicado de forma que no se pueda pisar, provoque tropezos, o de otra forma esté sujeto a daño o esfuerzo.**
- **No use un cable de extensión a menos que sea absolutamente necesario.** El uso de un cable de extensión inadecuado podría resultar en riesgo de incendio, descarga eléctrica o electrocución.
- **Cuando opere un cargador al aire libre, proporcione siempre un lugar seco y use un cable de extensión adecuado para uso en exteriores.** El uso de un cable adecuado para uso en exteriores reduce el riesgo de descarga eléctrica.
- **Un cable de extensión debe tener un tamaño de cable adecuado (AWG o American Wire Gauge) por seguridad.** Cuanto menor es el número de calibre del cable, el cable será más pesado y por lo tanto su capacidad. Un cable de tamaño inferior causará una caída en el voltaje en línea que resulta en una pérdida de energía y sobrecalentamiento. La siguiente tabla muestra

el tamaño correcto a usar dependiendo de la longitud total de todos los cables de extensión juntos, y la clasificación de amperes de la placa de identificación. Si tiene duda, use el calibre más pesado siguiente.

### Calibre mínimo para juegos de cable

Voltios	Longitud total de cable en pies (metros)				
	25 (7,6)	50 (15,2)	100 (30,5)	150 (45,7)	
Clasificación de amperes	American Wire Gauge				
					Mayor a
0	6	18	16	16	14
6	10	18	16	14	12
10	12	16	16	14	12
12	16	14	12	No recomendado	

- **No coloque ningún objeto encima del cargador ni coloque el cargador sobre una superficie blanda que pueda bloquear las ranuras de ventilación y provocar un calor interno excesivo.** Coloque el cargador en una posición lejos de cualquier fuente de calor. El cargador se ventila a través de ranuras en la parte superior e inferior del alojamiento.
- **No opere el cargador con un cable o enchufe dañado.** Solicite que los reemplacen de inmediato.
- **No opere el cargador si recibió un golpe fuerte, se dejó caer o se dañó de cualquier manera.** Llévelo a un centro de servicio autorizado.
- **No desensamble el cargador; llévelo a un centro de servicio autorizado cuando se requiera servicio o reparación.** El reensamble incorrecto puede resultar en un riesgo de descarga eléctrica, electrocución o incendio.
- **El cargador está diseñado para operar con corriente eléctrica doméstica estándar de 120V. No intente usarlo en ningún otro voltaje.** Esto no aplica al cargador de vehículos.
- **Los materiales extraños de naturaleza conductiva tales como, pero sin limitarse a, polvo de pulido, rebabas de metal, lana de acero, papel aluminio, o cualquier acumulación de partículas metálicas se deben mantener alejados de las cavidades y ranuras de ventilación del cargador.**
- **Siempre desconecte el cargador del suministro de energía cuando no haya paquete de baterías en la cavidad.**

## Carga de la Batería (Fig. C, D, J)

1. Conecte el cargador en un tomacorriente apropiado.
2. Inserte y asiente completamente el paquete de batería **10**. Verde rojas parpadearán continuamente mientras carga.
3. La carga está completa cuando las luces de carga verde permanecen encendidas continuamente. El paquete de batería se puede dejar en el cargador o retirarse.



**ADVERTENCIA:** Sólo cargue baterías en temperatura ambiente mayor a 4,5 °C (40 °F) y menor a 40 °C (104 °F).

- El cargador no cargará un paquete de batería defectuoso, lo que puede indicarse por las luces de carga que permanecen apagadas. Lleve el cargador y el paquete de batería a un centro de servicio autorizado si las luces permanecen apagadas.

**NOTA:** Consulte la etiqueta cerca de las luces de carga en el cargador respecto a los patrones de parpadeo.

**NOTA:** Para retirar el paquete de batería, algunos cargadores requieren que se presione el botón de liberación del paquete de batería **11**.

### Demora de Paquete Caliente/Frío

Cuando el cargador detecta un paquete de batería que esté demasiado caliente o demasiado frío, comienza automáticamente una Demora de Paquete Caliente/Frío, suspendiendo la carga hasta que el paquete de batería alcance una temperatura apropiada. El cargador cambia automáticamente al modo de carga del paquete. Esta característica garantiza la vida máxima del paquete de batería. Un paquete de batería frío puede cargar a un ritmo más lento que un paquete de batería caliente.

La demora de paquete caliente/frío se indicará por la luz roja que continúan parpadeando pero con la luz amarilla encendida continuamente. Una vez que el paquete de batería alcance una temperatura adecuada, la luz amarilla se apagará y el cargador reanudará el procedimiento de carga.

### Sistema de Protección Electrónica

Las herramientas de ion de litio están diseñadas con un Sistema de Protección Electrónica que protegerá el paquete de batería contra sobrecarga, sobrecalentamiento o descarga profunda. La herramienta se apagará automáticamente y el paquete de batería se necesitará volver a cargar.

### Notas Importantes de Carga

- Se puede obtener una mayor duración y un mejor rendimiento si la unidad de batería se carga a una temperatura ambiente de 18 °C–24 °C (65 °F–75 °F). NO cargue cuando el paquete de batería esté debajo de 4,5 °C (40 °F), o arriba de 40 °C (104 °F). Esto es importante y evitará causar daños graves a la batería.
- El cargador y el paquete de baterías pueden calentarse al tacto durante la carga. Esta es una condición normal y no indica un problema. Para facilitar el enfriamiento de la batería después de su uso, evite colocar el cargador o la batería en un ambiente cálido, como en un cobertizo de metal o un remolque sin aislamiento.
- Si la batería no se carga correctamente:
  - Verifique la operación del receptáculo conectando una lámpara u otro aparato;
  - Revise si el receptáculo está conectado a un interruptor de luz que apegue la energía cuando apague las luces;
  - Si persisten los problemas de carga, lleve la herramienta, el paquete de batería y el cargador a su centro de servicio local.
- Puede cargar un paquete parcialmente usado cuando lo desee sin ningún efecto adverso en el paquete de baterías.

## Instrucciones de Limpieza de Cargador



**ADVERTENCIA:** Riesgo de descarga eléctrica. Desconecte el cargador del tomacorriente CA antes de limpiar. La suciedad y grasa se pueden retirar del exterior del cargador con una tela o cepillo no metálico suave. No use agua o ninguna solución de limpieza.

### Montaje en Pared

Algunos cargadores CRAFTSMAN están diseñados para poderse montar en pared o colocarse vertical sobre una mesa o superficie de trabajo. Si se monta en pared, localice el cargador dentro del alcance de un tomacorriente eléctrico, y lejos de una esquina u otras obstrucciones que puedan impedir el flujo de aire. Use la parte posterior del cargador como una plantilla para la ubicación de los tornillos de montaje en la pared. Instale el cargador firmemente con tornillos para tablaroca (adquiridos por separado) por lo menos de 25,4 mm (1") de largo, con un diámetro de cabeza de tornillo de 7–9 mm (0,28–0,35"), atornillados en madera a una profundidad óptima dejando aproximadamente 5,5 mm (7/32") de tornillo expuesto. Alinee las ranuras en la parte posterior del cargador con los tornillos expuestos y conéctelos completamente dentro de las ranuras.

**NOTA:** No intente montar el cargador CMCB101 debajo de un banco o mesa.

**NOTA:** Sólo instale el cargador CMCB101 con las luces de carga apuntadas hacia arriba hacia el techo.

### VersaTrack™



**ADVERTENCIA:** No cargue las baterías mientras el cargador esté colgado en Trackwall.

Los cargadores CRAFTSMAN, excepto el CMCB101, se pueden almacenar en el VersaTrack™ Trackwall de CRAFTSMAN. Los ganchos y accesorios se venden por separado. Consulte la hoja de accesorios VersaTrack™ Trackwall para obtener más información.

**NOTA:** El cargador CMCB101 no es compatible con VersaTrack™ Trackwall de CRAFTSMAN.

### CONSERVE ESTAS INSTRUCCIONES PARA USO FUTURO

### ENSAMBLE Y AJUSTES



**ADVERTENCIA:** Para reducir el riesgo de lesiones personales, apague la unidad y retire el paquete de batería antes de realizar cualquier ajuste o retirar/instalar conexiones o accesorios, cuando reemplace la línea, o antes de la limpieza. Un arranque accidental puede causar lesiones.

### Manija de Tres Posiciones (Fig. A)

Para ajustar la manija de tres posiciones **6**, gire la carátula de posición de bloqueo **12** en sentido contrario a las manecillas del reloj para desbloquear la manija. Mueva la manija de tres posiciones a la posición deseada. Una vez que se coloca la manija, empuje la carátula de posición de bloqueo en sentido de las manecillas del reloj para bloquear la manija.



## Ajuste de rastreo de banda de lijado (Fig. E)



**ADVERTENCIA:** Mantenga las manos, los dedos y la ropa suelta alejados de la banda en movimiento.

Sostenga la herramienta firmemente con una mano, arranque el motor y observe el recorrido de la banda de lijado. Use la otra mano para ajustar la perilla de ajuste de alineación de la banda **7** para centrar la banda. Si la banda corre hacia afuera, gire la perilla de ajuste de seguimiento en sentido de las manecillas del reloj para que la banda corra hacia adentro. Si la banda corre hacia adentro, gire la perilla de ajuste de seguimiento en sentido contrario las manecillas del reloj para que la banda corra hacia afuera.

La vida útil de la banda aumentará considerablemente si se mantiene el ajuste de alineación correctamente. Para evitar que la banda de lijado roce el alojamiento de la lijadora, mantenga el borde de la banda a una distancia de aproximadamente 7/64" (2.7 mm) a 13/64" (5.1 mm) del lado de la cubierta del alojamiento.

## Cambio de la Banda de Lijado (Fig. F, G)



**ADVERTENCIA:** Para reducir el riesgo de lesiones personales serias, apague la unidad y retire el paquete de batería antes de realizar cualquier ajuste o retirar/instalar conexiones o accesorios. Un arranque accidental puede causar lesiones.



**ADVERTENCIA:** Para reducir el riesgo de lesiones, asegúrese que la banda esté instalada con las flechas en la dirección correcta de rotación. De lo contrario, la banda podría desenredarse creando una condición peligrosa.

Jale la palanca de liberación rápida **4** mostrada en la Fig. F para liberar la tensión en la banda de lijado. Jale la banda de lijado **1** desde los dos rodillos. Coloque la nueva banda de lijado de 75 mm x 457 mm (3" x 18") en su lugar en los rodillos delantero y trasero (Fig. G). Asegúrese que las flechas en la banda de lijado y en su lijadora de banda apunten en la misma dirección. Use una mano para sostener la unidad y use la otra mano para empujar la palanca hacia atrás para tensar la banda de lijado.

## Extracción de polvo (Fig. H)



**ADVERTENCIA:** Riesgo de inhalación de polvo. Para reducir el riesgo de lesiones personales, **SIEMPRE** use una máscara de polvo aprobada.

Se suministra un puerto de escape de polvo **8** con su herramienta.

El puerto de escape de polvo le permite conectar la herramienta a un extractor de polvo externo, ya sea a través del sistema AirLock™, o un accesorio de extractor de polvo de 32 mm estándar.



**ADVERTENCIA:** **SIEMPRE** use un extractor de aspirado diseñado en cumplimiento con las directivas aplicables respecto a la emisión de polvo cuando lije madera. Las mangueras de aspirado de las aspiradoras más comunes se adaptarán directamente en la salida de extracción de polvo.

## Colocación y desinstalación de bolsa para polvo (Fig. I)



**ADVERTENCIA:** Para reducir el riesgo de lesiones personales serias, apague la unidad y retire el paquete de batería antes de realizar cualquier ajuste o retirar/instalar conexiones o accesorios. Un arranque accidental puede causar lesiones.



**ADVERTENCIA: Riesgo de Incendio.** El polvo de lijado recolectado de los recubrimientos de la superficie de lijado (poliuretano, aceite de linaza, etc.) se pueden encender por sí solos en la bolsa de polvo de la lijadora o en otro lugar y causar un incendio. Para reducir el riesgo, vacíe la bolsa frecuentemente y siga estrictamente el manual de la lijadora y las instrucciones del fabricante del recubrimiento.



**ADVERTENCIA: Riesgo de Incendio.** Cuando lije madera que podría contener clavos o cuando lije superficies de metal, no use la bolsa de polvo o una aspiradora ya que se generan chispas. Use gafas de seguridad y una máscara para polvo. Debido al peligro de incendio, no use su lijadora de banda para lijar superficies de magnesio. No use para lijado húmedo.

Al usar su lijadora de banda, se producen polvo y arena. Es importante usar una bolsa de polvo. Conecte la bolsa de polvo **13** deslizando la abertura de plástico de la bolsa hacia abajo sobre el orificio de escape de polvo **8** de la lijadora. Para vaciar la bolsa de polvo, retírela de la lijadora y abra el cierre de la bolsa sobre un contenedor de basura.

## OPERACIÓN



**ADVERTENCIA:** Para reducir el riesgo de lesiones personales severas, apague la unidad y retire el paquete de batería antes de realizar cualquier ajuste o retirar/instalar conexiones o accesorios. Un arranque accidental puede causar lesiones.

## Instalación y Desinstalación de Paquete de Batería (Fig. J)



**ADVERTENCIA:** Asegúrese que la herramienta/aparato esté en la posición de apagado antes de insertar el paquete de batería.

**NOTA:** Para mejores resultados, asegúrese que su paquete de batería esté completamente cargado.

1. Para instalar el paquete de batería **10** en la manija de la herramienta, alinee el paquete de la batería con los rieles dentro de la manija de la herramienta y deslícelo en la manija hasta que el paquete de batería esté asentado firmemente en la herramienta y asegúrese que no se desconecte.
2. Para retirar el paquete de batería de la herramienta, presione el botón de liberación **11** y jale firmemente el paquete de batería fuera de la manija de la herramienta. Insértelo en el cargador como se describe en la sección de cargador de este manual.

## Colocación adecuada de manos (Fig. L)



**ADVERTENCIA:** Para reducir el riesgo de lesiones personales serias, **SIEMPRE** use la posición de las manos adecuada como se muestra.



**ADVERTENCIA:** Para reducir el riesgo de lesiones personales serias, **SIEMPRE** sostenga firmemente en anticipación de una reacción repentina.

La posición adecuada de las manos requiere una mano sobre la manija principal **5** y una mano en la manija de tres posiciones **6**.

## Gatillo y Botón de bloqueo de encendido (Fig. A, K, L)

Para arrancar la lijadora de banda, presione el gatillo **2** como se muestra en la Figura L. Para detener la lijadora de banda, suelte el gatillo. Para operación continua, presione el gatillo. Y presione el botón de bloqueo de encendido **3**, como se muestra en la Figura K, y libere el gatillo. Para detener su lijadora de banda, presione el gatillo para liberar el botón de bloqueo de encendido. Suelte el gatillo.

## Carátula de velocidad variable (Fig. M)

Su herramienta está equipada con 5 ajustes de velocidad variable. La velocidad se incrementa conforme la rueda se gira desde el ajuste de baja velocidad 1 a un ajuste de alta velocidad de 5.

Para operar la herramienta, seleccione el ajuste de velocidad que desee con la carátula de velocidad variable **9**, mostrada en la Figura M, y presione el gatillo **2** como se muestra en la Figura L. El ajuste de velocidad se puede mover con la herramienta encendida o apagada.

Asegúrese de seleccionar la velocidad adecuada para su operación de lijado. Si tiene duda sobre la velocidad adecuada para su operación, pruebe el desempeño en los ajustes de baja velocidad e increméntela gradualmente hasta que se encuentre una velocidad cómoda.

## Consejos Útiles

- Siempre arranque su lijadora de banda antes de que esté en contacto con la pieza de trabajo y no la apague hasta que se haya levantado de la pieza de trabajo.
- Siempre sostenga su lijadora de banda con las dos manos.
- Use la banda de lijado de grano correcto para su aplicación. La siguiente es una lista sugerida de granos de banda para usar con diferentes materiales.

MATERIAL	GRANO DE BANDA
Madera sólida	80
Chapado	150
Madera prensada	60/80
Plásticos	100

Acero	80 (no use la bolsa para polvo o aspiradora ya que las chispas podrían encender partículas inflamables en la bolsa o la aspiradora)
Eliminación de pintura	40/60
Madera Balsa	100
Acrílico	100 40/60 100

## MANTENIMIENTO



**ADVERTENCIA:** Para reducir el riesgo de lesiones personales serias, **apague la unidad y retire el paquete de batería antes de realizar cualquier ajuste o retirar/instalar conexiones o accesorios.** Un arranque accidental puede causar lesiones.

Su CRAFTSMAN ha sido diseñada para funcionar durante un largo período de tiempo con un mínimo de mantenimiento. La operación satisfactoria continua depende del cuidado adecuado de la herramienta y la limpieza regular.

## Accesorios



**ADVERTENCIA:** Ya que los accesorios, diferentes a los ofrecidos por CRAFTSMAN, no han sido probados con este producto, el uso de tales accesorios con esta herramienta podría ser peligroso. Para reducir el riesgo de lesiones, sólo se deben usar accesorios recomendados por CRAFTSMAN con este producto.

Los accesorios recomendados para uso con su herramienta están disponibles por un costo adicional a partir de su distribuidor local o centro de servicio autorizado. Si necesita asistencia para localizar cualquier accesorio, póngase en contacto con CRAFTSMAN Llame al **1-888-331-4569**.

## VersaTrack™ (Fig. N)



**ADVERTENCIA:** Para reducir el riesgo de lesiones personales, **apague la unidad y retire el paquete de batería antes de realizar cualquier ajuste o retirar/instalar conexiones o accesorios.** Una activación de arranque accidental puede causar lesiones.



**ADVERTENCIA:** Para reducir el riesgo de lesiones personales graves, no use un gancho para colgar Versatrack™ o Trackwall de Versatrack™ dañados. Un gancho para colgar Versatrack™ o Trackwall de Versatrack™ dañados no soportarán el peso de la herramienta.



**ADVERTENCIA:** Para reducir el riesgo de lesiones personales graves, asegúrese de que el tornillo que sujeta el gancho para colgar VersaTrack™ esté bien apretado.



**ADVERTENCIA:** Para reducir el riesgo de lesiones personales graves, **NO** suspenda la herramienta por encima ni cuelgue objetos del gancho. **SÓLO** suspenda la herramienta en el Trackwall de Versatrack™ con el gancho para colgar Versatrack™.



**ADVERTENCIA:** El gancho de colgar integral Versatrack™ no es un gancho de cinturón.

**ADVERTENCIA:** Asegúrese que el peso de la herramienta no exceda el peso máximo nominal de 9 kg (20 lbs) para el gancho Versatrack™ seleccionado.

**ADVERTENCIA:** Cuando cuelgue objetos en el riel Trackwall de Versatrack™, espacie adecuadamente las herramientas para no exceder 35 kg (75 lb) por pie lineal.

**IMPORTANTE:** Cuando coloque el gancho para colgar VersaTrack™, use solo el tornillo que se proporciona. Asegúrese de apretar firmemente el tornillo. Los accesorios VersaTrack™ montan herramientas compatibles de forma segura en el sistema VersaTrack™ Trackwall.

1. Apague la herramienta, retire los accesorios y retire el paquete de batería.
2. Coloque el gancho para colgar **14** en la herramienta.
  - a. Coloque el gancho para colgar VersaTrack™ en la ubicación de montaje **15** en la base de la herramienta.
  - b. Use un destornillador para asegurar el gancho para colgar con el tornillo provisto **16**. No utilice ningún otro tornillo para esto.

**ATENCIÓN:** Cualquier producto con dientes de corte expuestos debe tenerlos cubiertos de forma segura si va a estar en el Trackwall de Versatrack™.

**NOTA:** Los accesorios Versatrack™ para uso con su herramienta están disponibles por un costo adicional a partir de su distribuidor local o centro de servicio autorizado. Si necesita ayuda para encontrar cualquier accesorio, comuníquese con CRAFTSMAN, llame al **1-888-331-4569**.

## Limpieza

**ADVERTENCIA:** Sople la suciedad y el polvo de todos los conductos de ventilación con aire seco, al menos una vez por semana. Para reducir el riesgo de lesiones, utilice siempre protección para los ojos aprobada ANSI Z87.1 al realizar esta tarea.

**ADVERTENCIA:** Nunca utilice solventes ni otros químicos abrasivos para limpiar las piezas no metálicas de la herramienta. Estos productos químicos pueden debilitar los materiales plásticos utilizados en estas piezas. Utilice un paño humedecido sólo con agua y jabón neutro. Nunca permita que penetre líquido dentro de la herramienta ni sumerja ninguna de las piezas en un líquido.

## Reparaciones

El cargador y las unidades de batería no pueden ser reparados. El cargador y la unidad de batería no contienen piezas reparables.

**ADVERTENCIA:** Para asegurar la SEGURIDAD y la CONFIABILIDAD del producto, las reparaciones, el mantenimiento y los ajustes (inclusive la inspección y el cambio de las escobillas, cuando proceda) deben ser realizados en un centro de mantenimiento en la fábrica CRAFTSMAN u en un centro de mantenimiento autorizado CRAFTSMAN. Utilice siempre piezas de repuesto idénticas.

## Para reparación y servicio de sus herramientas eléctricas, favor de dirigirse al Centro de Servicio más cercano

### CULIACAN, SIN

Bldv. Emiliano Zapata 5400-1 Poniente Col. (667) 717 89 99 San Rafael

### GUADALAJARA, JAL

Av. La Paz #1779 - Col. Americana Sector (33) 3825 6978 Juárez

### MEXICO, D.F.

Eje Central Lázaro Cárdenas No. 18 - Local (55) 5588 9377 D, Col. Obrera

### MERIDA, YUC

Calle 63 #459-A - Col. Centro (999) 928 5038

### MONTERREY, N.L.

Av. Francisco I. Madero 831 Poniente - Col. (818) 375 23 13 Centro

### PUEBLA, PUE

17 Norte #205 - Col. Centro (222) 246 3714

### QUERETARO, QRO

Av. San Roque 274 - Col. San Gregorio (442) 2 17 63 14

### SAN LUIS POTOSI, SLP

Av. Universidad 1525 - Col. San Luis (444) 814 2383

### TORREON, COAH

Bldv. Independencia, 96 Pte. - Col. Centro (871) 716 5265

### VERACRUZ, VER

Prolongación Díaz Mirón #4280 - Col. Remes (229) 921 7016

### VILLAHERMOSA, TAB

Constitución 516-A - Col. Centro (993) 312 5111

### PARA OTRAS LOCALIDADES:

**Si se encuentra en México, por favor llame al (55) 5326 7100**

**Si se encuentra en U.S., por favor llame al 1-888-331-4569**

## Póliza de Garantía

IDENTIFICACIÓN DEL PRODUCTO:

Sello o firma del Distribuidor.

Nombre del producto: \_\_\_\_\_

Mod./Cat.: \_\_\_\_\_

Marca: \_\_\_\_\_

Núm. de serie: \_\_\_\_\_

(Datos para ser llenados por el distribuidor)

Fecha de compra y/o entrega del producto:

\_\_\_\_\_

Nombre y domicilio del distribuidor donde se adquirió el producto:

\_\_\_\_\_

Este producto está garantizado por un año a partir de la fecha de entrega, contra cualquier defecto en su funcionamiento, así como en materiales y mano de obra

## ESPAÑOL

empleados para su fabricación. Nuestra garantía incluye la reparación o reposición del producto y/o componentes sin cargo alguno para el cliente, incluyendo mano de obra, así como los gastos de transportación razonablemente erogados derivados del cumplimiento de este certificado.

Para hacer efectiva esta garantía deberá presentar su herramienta y esta póliza sellada por el establecimiento comercial donde se adquirió el producto, de no contar con ésta, bastará la factura de compra.

### Excepciones

Esta garantía no será válida en los siguientes casos:

- Cuando el producto se hubiese utilizado en condiciones distintas a las normales;
- Cuando el producto no hubiese sido operado de acuerdo con el instructivo de uso que se acompaña;
- Cuando el producto hubiese sido alterado o reparado por personas distintas a las enlistadas al final de este certificado.

Anexo encontrará una relación de sucursales de servicio de fábrica, centros de servicio autorizados y franquiciados en la República Mexicana, donde podrá hacer efectiva su garantía y adquirir partes, refacciones y accesorios originales.

Solamente para propósito de México:  
Importado por: CRAFTSMAN S.A de C.V.  
Antonio Dovali Jaime #70 Torre C Piso 8  
Col. Santa Fe Alvaro Obregon,  
Ciudad de Mexico, Mexico.  
C.P 01210  
TEL( 52 ) 55 53267100  
R.F.C.BDE8106261W7

local o consulte la página de Internet respecto a la información de garantía.

### REEMPLAZO GRATUITO DE ETIQUETA DE GARANTÍA:

Si sus etiquetas de advertencia se vuelven ilegibles o faltan, llame al **1-888-331-4569** para reemplazo gratuito.

## Registro en Línea

Gracias por su compra. Registre su producto ahora para:

- **SERVICIO EN GARANTÍA:** Si completa esta tarjeta, podrá obtener un servicio en garantía más eficiente, en caso de que exista un problema con su producto.
- **CONFIRMACIÓN DE PROPIEDAD:** En caso de una pérdida que cubra el seguro, como un incendio, una inundación o un robo, el registro de propiedad servirá como comprobante de compra.
- **PARA SU SEGURIDAD:** Si registra el producto, podremos comunicarnos con usted en el caso improbable que se deba enviar una notificación de seguridad conforme a la Federal Consumer Safety Act (Ley Federal de Seguridad de Productos para el Consumidor).
- Registro en línea en [www.craftsman.com/support](http://www.craftsman.com/support).

## Garantía Limitada de Tres Años

Para los términos de garantía, visite <https://www.craftsman.com/support/warranty>.

Para solicitar una copia escrita de los términos de garantía, póngase en contacto con: Servicio al cliente en CRAFTSMAN, 701 East Joppa Road, Towson, MD 21286 o llame al **1-888-331-4569**.

**AMÉRICA LATINA:** Esta garantía no aplica a productos vendidos en América Latina. Para productos vendidos en América Latina, consulte la información de garantía específica contenida en el empaque, llame a la compañía







**Compatible battery packs and chargers / Blocs-piles et chargeurs compatibles /  
Baterías y cargadores compatibles**

<b>20V Max* Li-Ion</b>	Battery Packs Blocs-piles Baterías	CMCB201, CMCB202, CMCB204, CMCB2015, CMCB205, CMCB206, CMCB209, CMCB2011
	Chargers Chargeurs Cargadores	CMCB100, CMCB101, CMCB102, CMCB104, CMCB1104, CMCB124

\* Maximum initial battery voltage (measured without a workload) is 20 volts. Nominal voltage is 18.

\* La tension initiale maximum du bloc-piles (mesurée à vide) est de 20 volts. La tension nominale est de 18.

\* El máximo voltaje inicial de la batería (medido sin carga de trabajo) es 20 voltios. El voltaje nominal es de 18.



**WARNING:** Use of any other battery packs may create a risk of injury and fire.



**AVERTISSEMENT :** utiliser d'autres blocs-piles peut créer un risque de blessure ou d'incendie.



**ADVERTENCIA:** El uso de cualquier otro paquete de batería puede crear un riesgo de lesiones e incendio.