

# CRAFTSMAN®

INSTRUCTION MANUAL | GUIDE D'UTILISATION | MANUAL DE INSTRUCCIONES

**20V Max\* 2.0 Gallon (7.6 liters) Wet/Dry Vacuum**  
**Aspirateur des déchets secs/humides 7,6 litres**  
**(2,0 gallon) 20 V max\***  
**Aspiradora Húmeda/Seca de 7,6 litres**  
**(2,0 Galones) 20 V Máx\***

**CMCV002**



IF YOU HAVE QUESTIONS OR COMMENTS, CONTACT US.  
POUR TOUTE QUESTION OU TOUT COMMENTAIRE, NOUS CONTACTER.  
SI TIENE DUDAS O COMENTARIOS, CONTÁCTENOS.

**1-888-331-4569**

**WWW.CRAFTSMAN.COM**

---

English (**original instructions**)

1

---

Français (*traduction de la notice d'instructions originale*)

11

---

Español (*traducido de las instrucciones originales*)

22

---

## Definitions: Safety Alert Symbols and Words

This instruction manual uses the following safety alert symbols and words to alert you to hazardous situations and your risk of personal injury or property damage.

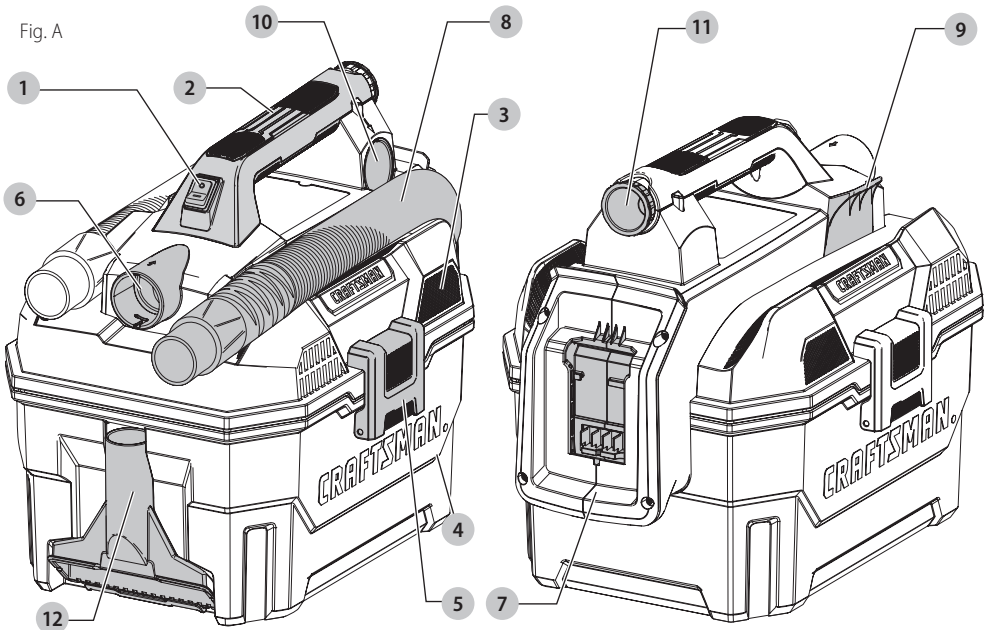
**⚠ DANGER:** Indicates an imminently hazardous situation which, if not avoided, **will** result in **death or serious injury**.

**⚠ WARNING:** Indicates a potentially hazardous situation which, if not avoided, **could** result in **death or serious injury**.

**⚠ CAUTION:** Indicates a potentially hazardous situation which, if not avoided, **may** result in **minor or moderate injury**.

**⚠** (Used without word) Indicates a safety related message.

**NOTICE:** Indicates a practice **not related to personal injury** which, if not avoided, **may** result in **property damage**.



### COMPONENTS

- |                 |                      |
|-----------------|----------------------|
| 1 On/off button | 7 Battery port       |
| 2 Main handle   | 8 Vacuum hose        |
| 3 Power head    | 9 Hose clip          |
| 4 Tank          | 10 Side exhaust port |
| 5 Tank latch    | 11 Crevice tool      |
| 6 Intake port   | 12 Wide nozzle tool  |

**⚠ WARNING:** Read all safety warnings and all instructions. Failure to follow the warnings and instructions may result in electric shock, fire and/or serious injury.

**⚠ WARNING:** Never modify the product or any part of it. Damage or personal injury could result.

**⚠ WARNING:** To reduce the risk of injury, read the instruction manual.

If you have any questions or comments about this or any product, call CRAFTSMAN toll free at: 1-888-331-4569.

## 20V Max\* 2.0 Gallon (7.6 liters) Wet/Dry Vacuum CMCV002

# IMPORTANT SAFETY INSTRUCTIONS

### READ ALL INSTRUCTIONS BEFORE USING THIS APPLIANCE

When using this appliance, basic safety precautions should always be followed including the following:

- ⚠ WARNING:** To reduce the risk of fire, electric shock and injury:
- **Do not leave the appliance when connected to power source.** Remove the battery pack when not in use and before servicing.
  - **Do not allow appliance to be used as a toy.** Close attention is necessary when used by or near children.
  - **Use this appliance ONLY as described in the manual.** Use only recommended attachments.
  - **Do not use this appliance if it is showing signs of malfunction in anyway.** If the appliance is not working correctly, has been dropped, damaged, left outdoors, or dropped into water, return it to a service center.
  - Do not handle the appliance with wet hands.
  - **Do not put any objects into the openings of the appliance.** Do not use the appliance with any opening blocked; keep free of dust, lint, hair and anything else that may reduce air flow.
  - Keep hair, loose clothing, fingers, and all body parts away from the openings and moving parts.
  - Turn off all controls before disconnecting from power source.
  - Use extra care when cleaning on stairs.
  - Do not use the appliance to pick up flammable or combustible liquids, such as gasoline, or use in areas where flammable or combustible liquids are present.

## SAVE THESE INSTRUCTIONS

### Additional Safety Rules

- ⚠ WARNING:** To reduce the risk of electric shock. Do not expose to rain. Store indoors.

- ⚠ CAUTION:** Do not tilt vacuum when in use. If vacuum has liquid in the tank it may spill out from the exhaust port.

- Do not use this appliance if the appliance is not working correctly, has been dropped, damaged, left outdoors, or dropped in water, return it to a service center.

- Do not place outlet of vacuum near eyes or ears when operating.
- **The blower operation can result in foreign objects being blown into eyes, which can result in eye damage.** Always wear safety goggles when using blower feature.
- **Use safety equipment.** Always wear eye protection. Dust mask, non-skid safety shoes, hard hat, or hearing protection must be used for appropriate conditions.
- Do not use without filter in place, except during wet applications.
- Do not pick up anything that is burning or smoking, such as cigarettes, matches or hot ashes.
- Do not use in areas where explosive vapors may be present.
- Do not use to pick up explosive dust, or in areas where air contains explosive dust such as coal, grain, or other combustible material.
- **Static shocks are possible in dry areas or when the relative humidity of the air is low.** This is only temporary and does not affect the use of the vacuum. To reduce the frequency of static shocks, add moisture to the air with a console or installed humidifier.
- To avoid spontaneous combustion, empty canister after each use.
- **Store idle tools.** When not in use, the vacuum should be stored in a dry, high or locked up place – out of the reach of children.
- **Disconnect battery pack from vacuum before making any adjustments, changing accessories, servicing, moving or storing the vacuum.** Such preventative safety measures reduce the risk of starting the appliance accidentally.
- **Avoid accidental starting.** Be sure the switch is in the off position before inserting the battery pack.
- **Never leave vacuum running unattended.** Turn power off.
- **Keep your work area clean and well lit.** Cluttered benches and dark areas invite accidents.
- **Avoid body contact with grounded surfaces such as pipes, radiators, ranges and refrigerators.** There is an increased risk of electric shock if your body is grounded.
- **Avoid tipping over the vacuum when full of liquid.** Liquids may spill from the side exhaust port.
- **Do not overreach.** Keep proper footing and balance at all times. Proper footing and balance enables better control of the vacuum in unexpected situations.
- Do not use appliance if switch does not turn it on or off. Any appliance that cannot be controlled with the switch is dangerous and must be repaired.
- Turn off all controls before removing the battery.

## SAVE THESE INSTRUCTIONS

## Additional Safety Information

### **WARNING:** ALWAYS use safety glasses.

Everyday eyeglasses are NOT safety glasses. Also use face or dust mask if cutting operation is dusty. ALWAYS WEAR CERTIFIED SAFETY EQUIPMENT:

- ANSI Z87.1 eye protection (CAN/CSA Z94.3),
- ANSI S12.6 (S3.19) hearing protection,
- NIOSH/OSHA/MSHA respiratory protection.

### **WARNING:** Some dust created by power sanding, sawing, grinding, drilling, and other construction activities contains chemicals known to the State of California to cause cancer, birth defects or other reproductive harm. Some examples of these chemicals are:

- lead from lead-based paints,
- crystalline silica from bricks and cement and other masonry products, and
- arsenic and chromium from chemically-treated lumber.

Your risk from these exposures varies, depending on how often you do this type of work. To reduce your exposure to these chemicals: work in a well ventilated area, and work with approved safety equipment, such as those dust masks that are specially designed to filter out microscopic particles.

- **Avoid prolonged contact with dust from power sanding, sawing, grinding, drilling, and other construction activities. Wear protective clothing and wash exposed areas with soap and water.** Allowing dust to get into your mouth, eyes, or lay on the skin may promote absorption of harmful chemicals.







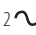

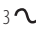










### **WARNING:** Use of this tool can generate and/or disperse dust, which may cause serious and permanent respiratory or other injury. Always use NIOSH/OSHA approved respiratory protection appropriate for the dust exposure. Direct particles away from face and body.

### **WARNING:** Always wear proper personal hearing protection that conforms to ANSI S12.6 (S3.19) during use. Under some conditions and duration of use, noise from this product may contribute to hearing loss.

### **CAUTION:** When not in use, place tool on its side on a stable surface where it will not cause a tripping or falling hazard. Some tools with large battery packs will stand upright on the battery pack but may be easily knocked over.

- **Air vents often cover moving parts and should be avoided.** Loose clothes, jewelry or long hair can be caught in moving parts.

The label on your tool may include the following symbols. The symbols and their definitions are as follows:

|   |   |   |  |
|---|---|---|--|
| V .....   | volts   |  | .....wear respiratory protection   |
| Hz .....  | hertz   |  | .....wear eye protection   |
| min .....   | minutes                                       |  | .....wear hearing protection   |
| — — or DC.....  | direct current                                |  | .....read all documentation  |
|                | .....Class I Construction (grounded)          |  | ...../min or ..min <sup>-1</sup> . Revolutions or Reciprocations per minute  |
| .../min.....  | per minute                                    |  | .....two phase alternating current   |
| BPM .....   | beats per minute                              |  | .....two phase alternating current with neutral  |
| IPM .....   | impacts per minute                            |  | .....three phase alternating current   |
| RPM .....   | revolutions per minute                        |  | .....three phase alternating current with neutral  |
| sfpn .....  | surface feet per minute                       |  | .....rated current of the appropriate fuse-link in amperes   |
| SPM .....   | strokes per minute                            |  | .....time-log miniature fuse-link where X is the symbol for the time/current characteristic, as given in IEC 60127-3 |
| OPM.....  | oscillations per minute                       | IPXX.....   | IP symbol  |
| A .....   | amperes                                       |   |  |
| W.....  | watts   |   |  |
|  or AC.....    | alternating current                           |   |  |
|  or AC/DC..... | alternating or direct current                 |   |  |
|                | .....Class II Construction (double insulated) |   |  |
| n <sub>0</sub> .....  | no load speed                                 |   |  |
| n .....   | rated speed                                   |   |  |
|                | .....earthing terminal                        |   |  |
|                | .....safety alert symbol                      |   |  |
|                | .....visible radiation                        |   |  |
|               | .....avoid staring at light                   |   |  |

## BATTERIES AND CHARGERS

The battery pack is not fully charged out of the carton. Before using the battery pack and charger, read the safety instructions below and then follow charging procedures outlined. When ordering replacement battery packs, be sure to include the catalog number and voltage.

### READ ALL INSTRUCTIONS

## Important Safety Instructions for All Battery Packs

### **WARNING:** Read all safety warnings, instructions, and cautionary markings for the battery pack, charger and product. Failure to follow the warnings and instructions may result in electric shock, fire and/or serious injury

- **Do not charge or use the battery pack in explosive atmospheres, such as in the presence of flammable liquids, gases or dust.** Inserting or removing the battery pack from the charger may ignite the dust or fumes.

## ENGLISH

- **When battery pack is not in use, keep it away from other metal objects, like paper clips, coins, keys, nails, screws, or other small metal objects, that can make a connection from one terminal to another.** Shorting the battery terminals together may cause burns or a fire.
  - **NEVER force the battery pack into the charger. DO NOT modify the battery pack in any way to fit into a non-compatible charger as battery pack may rupture causing serious personal injury.**
  - Charge the battery packs only in CRAFTSMAN chargers.
  - **DO NOT splash or immerse in water or other liquids.**
  - **Do not store or use the tool and battery pack in locations where the temperature may reach or exceed 104 °F (40 °C) (such as outside sheds or metal buildings in summer).** For best life store battery packs in a cool, dry location.
- NOTE: Do not store the battery packs in a tool with the trigger switch locked on. Never tape the trigger switch in the ON position.**
- **Do not incinerate the battery pack even if it is severely damaged or is completely worn out.** The battery pack can explode in a fire. Toxic fumes and materials are created when lithium-ion battery packs are burned.
  - **If battery contents come into contact with the skin, immediately wash area with mild soap and water.** If battery liquid gets into the eye, rinse water over the open eye for 15 minutes or until irritation ceases. If medical attention is needed, the battery electrolyte is composed of a mixture of liquid organic carbonates and lithium salts.
  - **Contents of opened battery cells may cause respiratory irritation.** Provide fresh air. If symptoms persist, seek medical attention.

**⚠ WARNING:** Burn hazard. Battery liquid may be flammable if exposed to spark or flame.

**⚠ WARNING:** Fire hazard. Never attempt to open the battery pack for any reason. If the battery pack case is cracked or damaged, do not insert into the charger. Do not crush, drop or damage the battery pack. Do not use a battery pack or charger that has received a sharp blow, been dropped, run over or damaged in any way (e.g., pierced with a nail, hit with a hammer, stepped on). Damaged battery packs should be returned to the service center for recycling.

## Storage Recommendations

1. The best storage place is one that is cool and dry, away from direct sunlight and excess heat or cold.
2. For long storage, it is recommended to store a fully charged battery pack in a cool dry place out of the charger for optimal results.

**NOTE:** Battery packs should not be stored completely depleted of charge. The battery pack will need to be recharged before use.

## The RBRC® Seal

The RBRC® (Rechargeable Battery Recycling Corporation) Seal on the nickel cadmium, nickel metal hydride or lithium-ion batteries (or battery packs) indicates that the costs to recycle these batteries (or battery packs) at the end of their useful life have already been paid by CRAFTSMAN. In some areas, it is illegal to place spent nickel cadmium, nickel metal hydride or lithium-ion batteries in the trash or municipal solid waste stream and the Call 2 Recycle® program provides an environmentally conscious alternative.

Call 2 Recycle, Inc., in cooperation with CRAFTSMAN and other battery users, has established the program in the United States and Canada to facilitate the collection of spent nickel cadmium, nickel metal hydride or lithium-ion batteries. Help protect our environment and conserve natural resources by returning the spent nickel cadmium, nickel metal hydride or lithium-ion batteries to an authorized service center or to your local retailer for recycling. You may also contact your local recycling center for information on where to drop off the spent battery.

RBRC® is a registered trademark of Call 2 Recycle, Inc..

## Transportation

**⚠ WARNING:** Fire hazard. Do not store or carry the battery pack so that metal objects can contact exposed battery terminals. For example, do not place the battery pack in aprons, pockets, tool boxes, product kit boxes, drawers, etc., with loose nails, screws, keys, etc. **Transporting batteries can possibly cause fires if the battery terminals inadvertently come in contact with conductive materials such as keys, coins, hand tools and the like.** The US Department of Transportation Hazardous Material Regulations (HMR) actually prohibit transporting batteries in commerce or on airplanes in carry-on baggage UNLESS they are properly protected from short circuits. So when transporting individual battery packs, make sure that the battery terminals are protected and well insulated from materials that could contact them and cause a short circuit.



## Important Safety Instructions for All Battery Chargers

**⚠ WARNING:** Read all safety warnings, instructions, and cautionary markings for the battery pack, charger and product. Failure to follow the warnings and instructions may result in electric shock, fire and/or serious injury.

- **DO NOT attempt to charge the battery pack with any chargers other than a CRAFTSMAN charger.** CRAFTSMAN charger and battery pack are specifically designed to work together.
- **These chargers are not intended for any uses other than charging CRAFTSMAN rechargeable batteries.** Any other uses may result in risk of fire, electric shock or electrocution.
- **Do not expose the charger to rain or snow.**
- **Pull by the plug rather than the cord when disconnecting the charger.** This will reduce the risk of damage to the electric plug and cord.
- **Make sure that the cord is located so that it will not be stepped on, tripped over or otherwise subjected to damage or stress.**
- **Do not use an extension cord unless it is absolutely necessary.** Use of improper extension cord could result in risk of fire, electric shock or electrocution.
- **When operating a charger outdoors, always provide a dry location and use an extension cord suitable for outdoor use.** Use of a cord suitable for outdoor use reduces the risk of electric shock.
- **An extension cord must have adequate wire size (AWG or American Wire Gauge) for safety.** The smaller the gauge number of the wire, the greater the capacity of the cable, that is, 16 gauge has more capacity than 18 gauge. An undersized cord will cause a drop in line voltage resulting in loss of power and overheating. When using more than one extension to make up the total length, be sure each individual extension contains at least the minimum wire size. The following table shows the correct size to use depending on cord length and nameplate ampere rating. If in doubt, use the next heavier gauge. The lower the gauge number, the heavier the cord.

**Minimum Gauge for Cord Sets**

| Volts         | Total Length of Cord in Feet (meters) |                     |            |                 |            |  |
|---------------|---------------------------------------|---------------------|------------|-----------------|------------|--|
|               | 120 V                                 | 25 (7.6)            | 50 (15.2)  | 100 (30.5)      | 150 (45.7) |  |
| 240 V         | 50 (15.2)                             | 100 (30.5)          | 200 (61.0) | 300 (91.4)      |            |  |
| Ampere Rating |                                       | American Wire Gauge |            |                 |            |  |
| More Than     | Not More Than                         |                     |            |                 |            |  |
| 0             | 6                                     | 18                  | 16         | 16              | 14         |  |
| 6             | 10                                    | 18                  | 16         | 14              | 12         |  |
| 10            | 12                                    | 16                  | 16         | 14              | 12         |  |
| 12            | 16                                    | 14                  | 12         | Not Recommended |            |  |

- **Do not place any object on top of the charger or place the charger on a soft surface that might block**

**the ventilation slots and result in excessive internal heat.** Place the charger in a position away from any heat source. The charger is ventilated through slots in the top and the bottom of the housing.

- **Do not operate the charger with a damaged cord or plug.**
- **Do not operate the charger if it has received a sharp blow, been dropped or otherwise damaged in any way.** Take it to an authorized service center.
- **Do not disassemble the charger; take it to an authorized service center when service or repair is required.** Incorrect reassembly may result in a risk of electric shock, electrocution or fire.
- **Disconnect the charger from the outlet before attempting any cleaning. This will reduce the risk of electric shock.** Removing the battery pack will not reduce this risk.
- **NEVER attempt to connect 2 chargers together.**
- **The charger is designed to operate on standard 120V household electrical power. Do not attempt to use it on any other voltage.** This does not apply to the vehicular charger.

**⚠ WARNING:** Shock hazard. Do not allow any liquid to get inside the charger. Electric shock may result.

**⚠ WARNING:** Burn hazard. Do not submerge the battery pack in any liquid or allow any liquid to enter the battery pack. Never attempt to open the battery pack for any reason. If the plastic housing of the battery pack breaks or cracks, return to a service center for recycling.

**⚠ CAUTION:** Burn hazard. To reduce the risk of injury, charge only CRAFTSMAN rechargeable battery packs. Other types of batteries may overheat and burst resulting in personal injury and property damage.

**NOTICE:** Under certain conditions, with the charger plugged into the power supply, the charger can be shorted by foreign material. Foreign materials of a conductive nature, such as, but not limited to, grinding dust, metal chips, steel wool, aluminum foil or any buildup of metallic particles should be kept away from the charger cavities. Always unplug the charger from the power supply when there is no battery pack in the cavity. Unplug the charger before attempting to clean.

### Charging a Battery

**NOTE:** To ensure maximum performance and life of lithium-ion battery packs, charge the battery pack fully before first use.

1. Plug the charger into an appropriate outlet before inserting battery pack.

## ENGLISH

2. Connect the charger and battery pack, making sure the battery is fully seated. The (charging) light will blink continuously indicating that the charging process has started.
3. The completion of charge will be indicated by the light remaining ON continuously. The battery pack is fully charged and may be removed and used at this time or left in the charger.

**NOTE:** To remove the battery pack, some chargers require the battery pack release button to be pressed.

### Indicators

|   |               |   |
|---|---------------|---|
|  Charging             | — — — — —     |  |
|  Fully Charged        | —————         |  |
|  Hot/Cold Pack Delay* | — — —   — — — |  |

A charger will not charge a faulty battery pack. The charger refusing to light could indicate a problem with the charger.

**NOTE:** If the charger refuses to light, take the charger and battery pack to be tested at an authorized service center.

### Hot/Cold Pack Delay

When the charger detects a battery pack that is too hot or too cold, it automatically starts a Hot/Cold Pack Delay, suspending charging until the battery pack has reached an appropriate temperature. The charger then automatically switches to the pack charging mode. This feature ensures maximum battery pack life.

A cold battery pack may charge at a slower rate than a warm battery pack.

## Important Charging Notes

1. Longest life and best performance can be obtained if the battery pack is charged when the air temperature is between 65 °F – 75 °F (18 ° – 24 °C). DO NOT charge when the battery pack is below +40 °F (+4.5 °C), or above +104 °F (+40 °C). This is important and will prevent serious damage to the battery pack.
2. The charger and battery pack may become warm to the touch while charging. This is a normal condition, and does not indicate a problem. To facilitate the cooling of the battery pack after use, avoid placing the charger or battery pack in a warm environment such as in a metal shed or an uninsulated trailer.
3. If the battery pack does not charge properly:
  - a. Check operation of receptacle by plugging in a lamp or other appliance;
  - b. Check to see if receptacle is connected to a light switch which turns power off when you turn out the lights;
  - c. Move the charger and battery pack to a location where the surrounding air temperature is approximately 65 °F – 75 °F (18 ° – 24 °C);
  - d. If charging problems persist, take the tool, battery pack and charger to your local service center.
4. The battery pack should be recharged when it fails to produce sufficient power on jobs which were easily

done previously. DO NOT CONTINUE to use under these conditions. Follow the charging procedure. You may also charge a partially used pack whenever you desire with no adverse effect on the battery pack.

5. Foreign materials of a conductive nature such as, but not limited to, grinding dust, metal chips, steel wool, aluminum foil, or any buildup of metallic particles should be kept away from charger cavities. Always unplug the charger from the power supply when there is no battery pack in the cavity. Unplug the charger before attempting to clean.
6. Do not freeze or immerse the charger in water or any other liquid.

## Charger Cleaning Instructions

**⚠ WARNING:** *Shock hazard. Disconnect the charger from the AC outlet before cleaning. Dirt and grease may be removed from the exterior of the charger using a cloth or soft non-metallic brush. Do not use water or any cleaning solutions.*

## Wall Mounting

These chargers are designed to be wall mountable or to sit upright on a table or work surface. If wall mounting, locate the charger within reach of an electrical outlet, and away from a corner or other obstructions which may impede air flow. Use the back of the charger as a template for the location of the mounting screws on the wall. Mount the charger securely using drywall screws (purchased separately) at least 1" (25.4 mm) long, with a screw head diameter of 0.28–0.35" (7–9 mm), screwed into wood to an optimal depth leaving approximately 7/32" (5.5 mm) of the screw exposed. Align the slots on the back of the charger with the exposed screws and fully engage them in the slots.

## Versatrack

CRAFTSMAN chargers can be mounted to the wall using CRAFTSMAN Versatrack Trackwall. Hooks and accessories are sold separately. Please refer to the Versatrack Trackwall accessory sheet for further information.

# SAVE THESE INSTRUCTIONS FOR FUTURE USE



## COMPONENTS (FIG. A)

### Intended Use

The vacuum is designed to perform as a wet/dry unit with no component changes required when changing from wet to dry, or dry to wet pick up. This vacuum is for household use only.

It is recommended that the tank be emptied of any dry contents prior to being used for wet pick up to facilitate tank cleaning.

**DO NOT** use under wet conditions or in presence of flammable liquids or gases.

**DO NOT** let children come into contact with the tool. Supervision is required when inexperienced operators use this tool.

### ASSEMBLY AND ADJUSTMENTS

**⚠ WARNING:** *To reduce the risk of serious personal injury, turn unit off and disconnect it from power source before making any adjustments or removing/installing attachments or accessories. An accidental start-up can cause injury.*

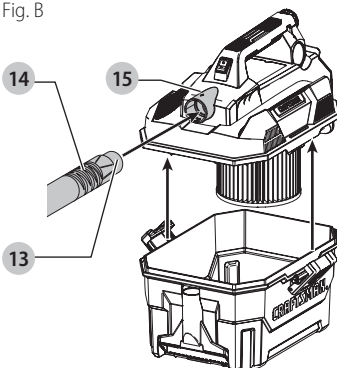
### Attaching Vacuum Hose (Fig. A, B)

The vacuum hose **8** will need to be attached to the vacuum before using the appliance.

1. Place the vacuum on a flat, firm surface.
2. Unlatch tank latches **5** and remove power head from the tank. Remove the vacuum hose **8** from the tank **4**.
3. Align the hose end **13** with the intake port **6** on the front of the appliance, ensuring the hose alignment lock **14** is aligned with the arrow **15** on the intake port.
4. Insert the hose end into the intake port and twist clockwise to lock in place.
5. Replace power head onto the tank and secure latches.

**NOTE:** The power head will only fit onto the tank when the intake port on the front of the power head and the storage area for the wide nozzle tool **12** on the tank are aligned.

Fig. B



## OPERATION

**⚠ WARNING:** *To reduce the risk of serious personal injury, turn unit off and disconnect it from power source before making any adjustments or removing/installing attachments or accessories. An accidental can cause injury.*

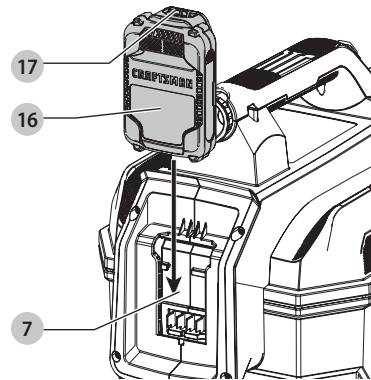
### Installing and Removing the Battery Pack (Fig. C)

**⚠ CAUTION:** *Ensure battery port and terminals are dry and clean before installing battery pack.*

To install the battery pack **16** into the power head, align the battery pack with the rails inside the tool's battery port **7** until the battery pack is firmly seated in the tool and ensure that it does not disengage.

To remove the battery pack from the tool, press the release button **17** and firmly pull the battery pack out of the tool handle. Insert it into the charger as described in the charger section of this manual.

Fig. C

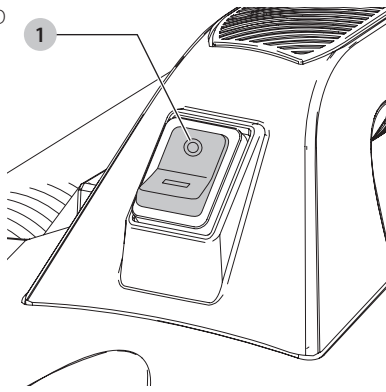


### Using the Vacuum

#### On / Off Switch (Fig. A, D)

1. Attach the appropriate accessory to the vacuum hose **8**.
2. Insert battery pack.
3. To turn vacuum on, press the I/O (on/off) button **1**.

Fig. D



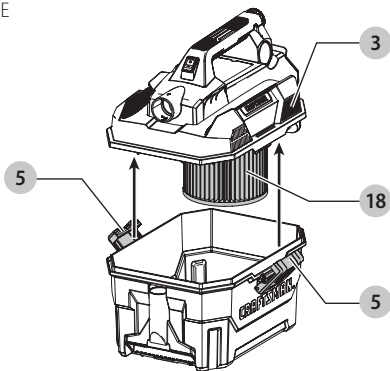
## Dry Vacuum Cleaning

### To Empty Tank (Fig. A, E)

The sound of the motor changes and suction is reduced when the tank is full.

1. Turn vacuum off. Remove the battery pack.
2. Unlatch tank latches **5** and remove power head **3** from the tank.
3. Empty contents of tank into suitable container.
4. Clean or change wet/dry filter **18**. Refer to **Filter** section of this manual.
5. Inspect vacuum for damage by foreign objects. Contact the nearest authorized service center for replacement of damaged or missing parts.
6. Replace power head **3** onto the tank **4** and latch securely.

Fig. E



### Wet Vacuum Cleaning (Fig. A)

**⚠ WARNING:** To reduce the risk of electric shock. Do not expose to rain. Store indoors.

**⚠ CAUTION:** Do not tilt vacuum when in use. If vacuum has liquid in the tank it may spill out from the exhaust port.

**⚠ CAUTION:** Ensure battery port and terminals are dry and clean before installing battery pack.

The filter must be removed before using the vacuum to clean liquids. See **Filter** section of this manual.

### To Empty Tank

The sound of the motor changes and suction is reduced when the tank is full.

1. Turn vacuum off. Remove the battery pack.
2. Unlatch tank latches **5** and remove power head from the tank.
3. Empty contents of tank.
4. Inspect vacuum for damage by foreign objects. Contact the nearest authorized service center for replacement of damaged or missing parts.
5. Dry inside of power head and tank with a clean cloth.
6. Replace power head **3** onto the tank **4** and latch securely.

## Filter

### Filter care (Fig. F)

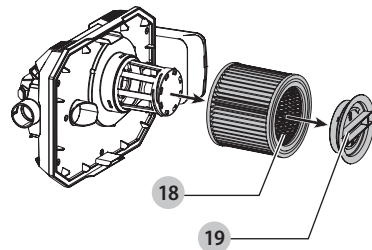
The wet/dry filter **18** included with this vacuum is a HEPA filter. To be effective in minimizing dust recirculation the filters **MUST** be installed correctly and in good condition.

**NOTE:** A clean filter is the most important factor in the operation and efficiency of any vacuum. If the filter becomes clogged beyond cleaning, damaged, or fails to operate properly, replace only with a recommended replacement filter.

### To Clean or Change the Filter (Fig. A, F)

1. Turn vacuum off. Remove the battery pack.
2. Unlatch the tank latches **5** and remove the power head from the tank. Unlock the filter lock **19** by twisting it counterclockwise. Pull the filter **18** out to remove it from the power head.
3. Clean the filter by shaking off excess dust, tapping into a waste receptacle, then rinsing under running water. Depending on the condition of the filter, a water wash is not always required. Do not use a brush to clean filter.
4. Reinstall filter and secure the filter lock onto power head. Twist the filter lock clockwise and ensure the filter is locked in place.
5. Replace power head onto the tank and secure latches.

Fig. F



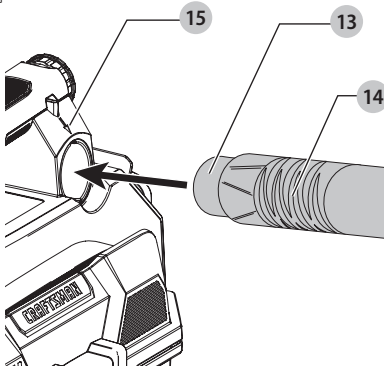
## Blower

The blower function can be used to remove debris from behind small spaces, to dry a damp floor, to blow grass clippings or leaves from an outside walk, patio, etc.

### To Use as a Blower (Fig. A, G)

1. Empty the tank following the instructions under the **Dry Vacuum Cleaning** section of this manual.
2. Twist the vacuum hose **8** counterclockwise to remove from the intake port.
3. Align the hose end **13** with the side exhaust port **10**, ensuring the hose alignment lock **14** is aligned with the arrow **15** above the side exhaust port.
4. Insert the hose end into the side exhaust port and twist clockwise to lock in place.

Fig. G



## Hose and Accessory Storage

When the vacuum is not in use, remove the battery pack. The vacuum hose can be wrapped around appliance, underneath the battery interface, and secured with the hose clip **9** also located at the back of the vacuum. The two accessories (crevice tool and wide nozzle) can be stored on board the vacuum as well.

## MAINTENANCE

**⚠ WARNING:** *To reduce the risk of serious personal injury, turn unit off and remove the battery pack before making any adjustments or removing/installing attachments or accessories. An accidental start-up can cause injury.*

## Lubrication

Never lubricate the vacuum motor. The motor bearings are permanently sealed. This vacuum is intended for indoor use and for wet or dry pick up, but it is not intended to be exposed to rain.

## Accessories

**⚠ WARNING:** *Since accessories, other than those offered by CRAFTSMAN, have not been tested with this product, use of such accessories with this tool could be hazardous. To reduce the risk of injury, only CRAFTSMAN recommended accessories should be used with this product.*

Recommended accessories for use with your tool are available at extra cost from your local dealer or authorized service center. If you need assistance in locating any accessory, please contact CRAFTSMAN, call **1-888-331-4569**.

## Repairs

The charger and battery pack are not serviceable. There are no serviceable parts inside the charger or battery pack.

**⚠ WARNING:** *To assure product SAFETY and RELIABILITY, repairs, maintenance and adjustment (including brush inspection and replacement, when applicable) should be performed by a CRAFTSMAN factory service center or a CRAFTSMAN authorized service center. Always use identical replacement parts.*

To find the nearest service center, please contact CRAFTSMAN, call **1-888-331-4569**.

## Cleaning

**⚠ WARNING:** *Blow dirt and dust out of all air vents with clean, dry air at least once a week. To minimize the risk of eye injury, always wear ANSI Z87.1 approved eye protection when performing this.*

**⚠ WARNING:** *Never use solvents or other harsh chemicals for cleaning the non-metallic parts of the tool. These chemicals may weaken the plastic materials used in these parts. Use a cloth dampened only with water and mild soap. Never let any liquid get inside the tool; never immerse any part of the tool into a liquid.*

## Register Online

Thank you for your purchase. Register your product now for:

- **WARRANTY SERVICE:** Registering your product will help you obtain more efficient warranty service in case there is a problem with your product.
- **CONFIRMATION OF OWNERSHIP:** In case of an insurance loss, such as fire, flood or theft, your registration of ownership will serve as your proof of purchase.
- **FOR YOUR SAFETY:** Registering your product will allow us to contact you in the unlikely event a safety notification is required under the Federal Consumer Safety Act.

Register online at [www.craftsman.com/registration](http://www.craftsman.com/registration)

### Three Year Limited Warranty

CRAFTSMAN will repair or replace, without charge, any defects due to faulty materials or workmanship for three years from the date of purchase (two years for batteries). This warranty does not cover part failure due to normal wear or tool abuse. For further detail of warranty coverage and warranty repair information, visit [www.craftsman.com](http://www.craftsman.com) or call **1-888-331-4569**. This warranty does not apply to accessories or damage caused where repairs have been made or attempted by others. THIS LIMITED WARRANTY IS GIVEN IN LIEU OF ALL OTHERS, INCLUDING THE IMPLIED WARRANTY OF MERCHANTABILITY AND FITNESS FOR A PARTICULAR PURPOSE, AND EXCLUDES ALL INCIDENTAL OR CONSEQUENTIAL DAMAGES. Some states do not allow limitations on how long an implied warranty lasts or the exclusion or limitation of incidental or consequential damages, so these limitations may not apply to you. This warranty gives you specific legal rights and you may have other rights which vary in certain states or provinces.

#### 2 YEARS FREE SERVICE ON CRAFTSMAN BATTERY PACKS

CMCB201, CMCB2011

#### 3 YEARS FREE SERVICE ON CRAFTSMAN BATTERY PACKS

CMCB202, CMCB204

**NOTE:** Battery warranty voided if the battery pack is tampered with in any way. CRAFTSMAN is not responsible for any injury caused by tampering and may prosecute warranty fraud to the fullest extent permitted by law.

#### 90 DAY MONEY BACK GUARANTEE

If you are not completely satisfied with the performance of your CRAFTSMAN Power Tool or Nailer for any reason, you can return it within 90 days from the date of purchase with a receipt for a full refund – no questions asked.

**LATIN AMERICA:** This warranty does not apply to products sold in Latin America. For products sold in Latin America, see country specific warranty information contained in the packaging, call the local company or see website for warranty information.

**FREE WARNING LABEL REPLACEMENT:** If your warning labels become illegible or are missing, call **1-888-331-4569** for a free replacement.

## TROUBLESHOOTING GUIDE

### BE SURE TO FOLLOW SAFETY RULES AND INSTRUCTIONS

For assistance with your product, visit our website at [www.craftsman.com](http://www.craftsman.com) for a list of service centers, or call CRAFTSMAN at 1-888-331-4569.

| PROBLEM                       | POSSIBLE CAUSE  | SOLUTION  |
|-------------------------------|---|---|
| Unit will not start.          | Battery pack not installed properly.  | Check battery pack installation.  |
|                               | Battery pack not charged.   | Check battery pack charging requirements.   |
|                               | Internal components too hot.  | Allow tool to cool down.  |
|                               | Brushes worn out.   | Have motor replaced by authorized service center.   |
| Battery pack will not charge. | Battery pack not inserted into charger.   | Insert battery pack into charger until LED illuminates.   |
|                               | Charger not plugged in.   | Plug charger into a working outlet. Refer to <b>Important Charging Notes</b> for more details.      |
|                               | Surrounding air temperature too hot or too cold.  | Move battery pack to a surrounding air temperature of above 40 °F (4,5 °C) or below 104 °F (40 °C). |
| Unit shuts off abruptly.      | Battery pack has reached its maximum thermal limit.   | Allow battery pack to cool down.  |
|                               | Out of charge. (To maximize the life of the battery pack it is designed to shutoff abruptly when the charge is depleted.) | Place on charger and allow to charge.   |
| Unit has reduced suction.     | Tank is full.   | Empty tank.   |
|                               | Filter is dirty or clogged.   | Clean or replace filter.  |

## Définitions : symboles et termes d'alarmes sécurité

Ces guides d'utilisation utilisent les symboles et termes d'alarmes sécurité suivants pour vous prévenir de situations dangereuses et de risques de dommages corporels ou matériels.

**⚠ DANGER** : indique une situation dangereuse imminente qui, si elle n'est pas évitée, **entraînera la mort ou des blessures graves**.

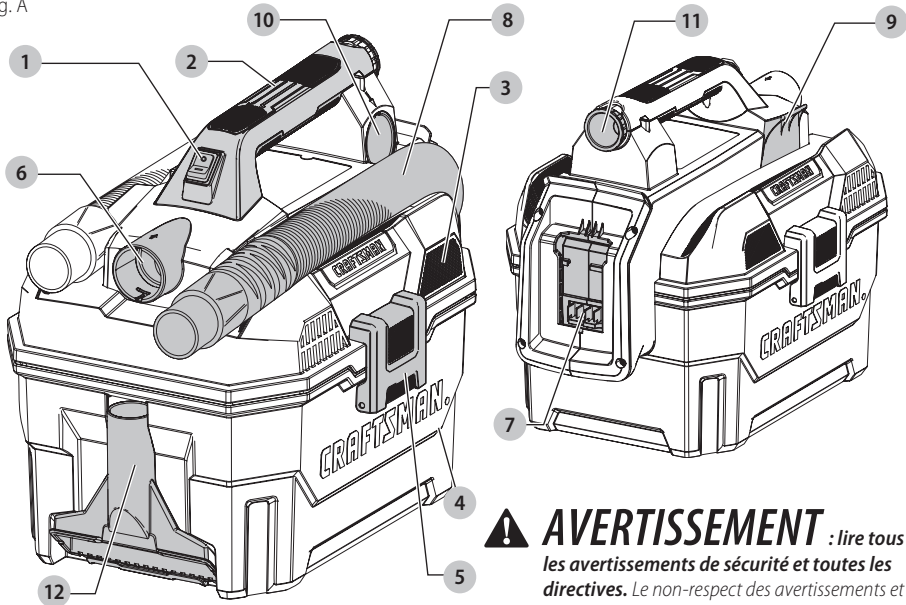
**⚠ AVERTISSEMENT** : indique une situation potentiellement dangereuse qui, si elle n'est pas évitée, **pourrait entraîner la mort ou des blessures graves**.

**⚠ ATTENTION** : indique une situation potentiellement dangereuse qui, si elle n'est pas évitée, **pourrait entraîner des blessures légères ou modérées**.

**⚠** (Si utilisé sans aucun terme) Indique un message propre à la sécurité.

**AVIS** : indique une pratique ne posant **aucun risque de dommages corporels** mais qui par contre, si rien n'est fait pour l'éviter, **pourrait poser des risques de dommages matériels**.

Fig. A



### DESCRIPTION

- |                        |                                  |
|------------------------|----------------------------------|
| 1 Bouton Marche/Arrêt  | 7 Logement du bloc-piles         |
| 2 Poignée principale   | 8 Tuyau de l'aspirateur          |
| 3 Bloc moteur          | 9 Collier de serrage             |
| 4 Cuve                 | 10 Orifice d'échappement latéral |
| 5 Verrouillage de cuve | 11 Suceur                        |
| 6 Buse d'admission     | 12 Embout large                  |

**⚠ AVERTISSEMENT** : lire tous les avertissements de sécurité et toutes les directives. Le non-respect des avertissements et des directives pourrait se solder par un choc électrique, un incendie et/ou une blessure grave.

**⚠ AVERTISSEMENT** : ne jamais modifier l'outil électrique ni aucun de ses composants, car il y a risques de dommages corporels ou matériels.

**⚠ AVERTISSEMENT** : afin de réduire le risque de blessures, lire le mode d'emploi de l'outil.

Pour toute question ou remarque au sujet de cet outil ou de tout autre outil CRAFTSMAN composez le numéro sans frais : 1-888-331-4569.

## Aspirateur des déchets secs/humides 7,6 litres (2,0 gallon) 20 V max\* CMCV002

# CONSIGNES IMPORTANTES DE SÉCURITÉ

### LISEZ TOUTES LES INSTRUCTIONS AVANT D'UTILISER CET APPAREIL

Lorsque vous utilisez cet appareil, des consignes de sécurité élémentaires devraient toujours être prises, incluant les suivantes :

**⚠ AVERTISSEMENT :** afin de réduire le risque d'incendie, de choc électrique et de blessure :

- **Ne pas laisser l'appareil lorsqu'il est branché à une source d'alimentation.** Retirez le bloc-piles lorsque vous ne l'utilisez pas ou d'effectuer un entretien.
- **Ne pas laisser l'appareil être utilisé comme jouet.** Une attention particulière est nécessaire lorsque l'appareil est utilisé par des enfants ou près des enfants.
- **Utilisez l'appareil SEULEMENT comme décrit dans le manuel.** Utilisez seulement les fixations recommandées.
- **Ne pas utiliser cet appareil s'il présente des signes de mauvais fonctionnement.** Si l'outil ne fonctionne pas bien, a été échappé, endommagé, laissé à l'extérieur ou échappé dans l'eau, retournez-le dans un centre de services.
- Ne pas manipuler l'appareil avec les mains mouillées.
- **Ne pas mettre tout objet dans les ouvertures de l'appareil.** Ne pas utiliser l'appareil si une ouverture est bloquée; tenez à l'écart de la poussière, de la charpie ainsi que des cheveux et de tout ce qui peut réduire la circulation de l'air.
- Gardez vos cheveux, vos vêtements amples, vos doigts et toutes les parties du corps loin des ouvertures et des pièces en mouvement.
- Éteignez toutes les commandes avant de débrancher de la source d'alimentation.
- Redoublez de prudence durant le nettoyage d'escaliers.
- Ne pas utiliser l'appareil pour ramasser des liquides combustibles ou inflammables, comme l'essence ou utiliser dans des endroits où des liquides combustibles ou inflammables sont présents.

## CONSERVEZ CES INSTRUCTIONS

### Règles de sécurité supplémentaires

**⚠ AVERTISSEMENT :** pour réduire tout risque de chocs électriques, ne pas l'exposer à la pluie. Entreposer à l'intérieur.

**⚠ ATTENTION :** ne pas incliner l'aspirateur pendant l'utilisation. Si la cuve de l'aspirateur contenait un liquide, il pourrait s'écouler par l'orifice d'échappement.

- Ne pas utiliser l'appareil s'il venait à ne pas fonctionner correctement, s'il est tombé, a été endommagé, laissé dehors ou est tombé à l'eau, le ramener chez un centre de réparation.
- Pendant son opération, ne pas approcher les ouvertures de l'aspirateur des yeux ou des oreilles.
- **L'utilisation du souffleur pourra propulser des objets étrangers dans les yeux et causer des dommages oculaires.** Porter systématiquement des lunettes de protection lors de l'utilisation de la fonction souffleur.
- **Utiliser le matériel de sécurité approprié.** Porter systématiquement une protection oculaire. Porter un masque antipoussières, des chaussures antidérapantes, un casque de sécurité ou une protection auditive lorsque la situation le requiert.
- Ne pas utiliser l'aspirateur sans son filtre, sauf pour aspirer des liquides.
- Ne pas aspirer des objets incandescents, ou se consommant, comme les cigarettes, les allumettes ou les cendres chaudes.
- Ne pas utiliser en présence de vapeurs explosives.
- Ne pas utiliser pour aspirer des poussières explosives, ou si l'air contient des poussières explosives comme celles du charbon, du grain ou de tout autre matériau combustible.
- **Des décharges statiques peuvent se produire si l'environnement est sec ou lorsque l'humidité relative de l'air est basse.** Ce n'est que temporaire et n'affectera pas l'utilisation de l'aspirateur. Pour réduire la fréquence des décharges statiques, humidifier l'air à l'aide d'un humidificateur console ou installer un humidificateur.
- Pour éviter toute combustion spontanée, vider la cuve après chaque utilisation.
- **Entreposer les outils après utilisation.** Après utilisation, ranger l'aspirateur dans un endroit sec, en hauteur ou dans un endroit verrouillé, hors de la portée des enfants.
- **Déconnecter le bloc-piles de l'aspirateur avant tout réglage, changement d'accessoire, ou entretien, ou avant de le déplacer ou l'entreposer.** Ces mesures préventives de sécurité réduisent les risques de démarrage accidentel de l'appareil.
- **Éviter tout démarrage accidentel.** S'assurer que l'interrupteur est en position d'arrêt avant d'insérer un bloc-piles.
- **Ne jamais laisser l'aspirateur fonctionner sans supervision.** Arrêter systématiquement l'appareil.

- **Garder la zone de travail propre et bien éclairée.** Les établis encombrés et les endroits sombres sont propices aux accidents.
- **Éviter tout contact entre le corps et les éléments mis à la terre, comme les tuyaux, les radiateurs, les cuisinières et les réfrigérateurs.** Les risques de décharges électriques augmentent lorsque le corps est mis à la terre.
- **Éviter de renverser l'aspirateur lorsqu'il contient des liquides.** Ces derniers pourraient s'écouler par l'orifice d'échappement latéral.
- **Ne pas effectuer de travaux hors de portée.** Maintenir son équilibre et les pieds bien ancrés au sol en permanence. Une position stable et un bon équilibre permettent de mieux maîtriser l'aspirateur en cas de situations imprévues.
- **Ne pas utiliser cet appareil si son interrupteur est défectueux.** Tout appareil dont l'interrupteur est défectueux est dangereux et doit être réparé.
- **Arrêter tout bouton de commande avant de retirer le bloc-piles.**

## CONSERVEZ CES INSTRUCTIONS

### Consigne de sécurité supplémentaire

**AVERTISSEMENT :** porter **SYSTEMATIQUEMENT** des lunettes de protection. Les lunettes courantes NE sont PAS des lunettes de protection. Utiliser aussi un masque antipoussières si la découpe doit en produire beaucoup. **PORTER SYSTEMATIQUEMENT UN ÉQUIPEMENT DE SÉCURITÉ HOMOLOGUÉ :**

- Protection oculaire ANSI Z87.1 (CAN/CSA Z94.3) ;
- Protection auditive ANSI S12.6 (S3.19) ;
- Protection des voies respiratoires NIOSH/OSHA/MSHA.

**AVERTISSEMENT :** les scies, meules, ponceuses, perceuses ou autres outils de construction peuvent produire des poussières contenant des produits chimiques reconnus par l'État californien pour causer cancers, malformations congénitales ou être nocifs au système reproducteur. Parmi ces produits chimiques, on retrouve :

- Le plomb dans les peintures à base de plomb ;
- La silice cristallisée dans les briques et le ciment, ou autres produits de maçonnerie ; et
- L'arsenic et le chrome dans le bois ayant subi un traitement chimique.

Le risque associé à de telles expositions varie selon la fréquence à laquelle on effectue ces travaux. Pour réduire toute exposition à ces produits : travailler dans un endroit bien aéré, en utilisant du matériel de sécurité homologué, tel un masque

antipoussières spécialement conçu pour filtrer les particules microscopiques.

- **Limiter toute exposition prolongée avec les poussières provenant du ponçage, sciage, meulage, perçage ou toute autre activité de construction. Porter des vêtements de protection et nettoyer à l'eau savonneuse les parties du corps exposées.** Le fait de laisser la poussière pénétrer dans la bouche, les yeux ou la peau peut favoriser l'absorption de produits chimiques dangereux.

**AVERTISSEMENT :** cet outil peut produire et/ou répandre de la poussière susceptible de causer des dommages sérieux et permanents au système respiratoire. Utiliser systématiquement un appareil de protection des voies respiratoires homologué par le NIOSH ou l'OSHA. Diriger les particules dans le sens opposé au visage et au corps.

**AVERTISSEMENT :** pendant l'utilisation, porter systématiquement une protection auditive individuelle adéquate homologuée ANSI S12.6 (S3.19). Sous certaines conditions et suivant la durée d'utilisation, le bruit émanant de ce produit pourrait contribuer à une perte de l'acuité auditive. équipés d'un large bloc-piles






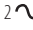


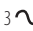


**ATTENTION :** après utilisation, ranger l'outil sur son côté, sur une surface stable, là où il ne pourra ni faire trébucher ni faire chuter quelqu'un. Certains outils équipés d'un large bloc-piles peuvent tenir à la verticale sur celui-ci, mais manquent alors de stabilité.

- **Prendre des précautions à proximité des événements, car ils cachent des pièces mobiles.** Vêtements amples, bijoux ou cheveux longs risquent de rester coincés dans ces pièces mobiles.

L'étiquette apposée sur votre outil peut inclure les symboles suivants. Les symboles et leur définition sont indiqués ci-après :

|                  |  |                      |   |
|------------------|--|----------------------|---|
| V .....          | vols                                     | OPM.....             | oscillations por                            |
|                  |  |                      | minuto                                      |
| Hz .....         | hertz                                    | A .....              | ampères                                     |
| min .....        | minutes                                  | W .....              | watts                                       |
| — — — or DC..... | courant continu                          | ~ or AC.....         | courant alternatif                          |
| Ⓢ .....          | fabrication classe I<br>(mis à la terre) | Ⓢ or AC/DC....       | courant alternatif<br>ou continu            |
| ... /min.....    | par minute                               | Ⓢ .....              | fabrication classe II<br>(double isolation) |
| BPM .....        | battements par<br>minute                 | η <sub>0</sub> ..... | vitesse à vide                              |
| IPM .....        | impacts par minute                       | n .....              | vitesse nominale                            |
| RPM .....        | révolutions par<br>minute                | Ⓢ .....              | borne de terre                              |
| sfpm .....       | pieds linéaires par<br>minute (plpm)     | ▲ .....              | symbole<br>d'avertissement                  |
| SPM (FPM) .....  | fréquence par<br>minute                  | ⚠ .....              | radiation visible                           |

## FRANÇAIS

|   |   |   |  |
|---|---|---|--|
|     | protection respiratoire                                 |  | protection auditive  |
|     | protection oculaire                                     |  | lire toute la documentation  |
| .. /min or ..min <sup>-1</sup>  | Révolutions ou courses aller-retour par minute          |  | Courant nominal du fusible adéquat en ampères  |
| 2   | Alimentation à courant alternatif bifilaire             |  | Là où un X est placé comme caractéristique du courant vs temps, un fusible miniature différé selon la norme IEC 60127-3 est de mise. |
| 2N  | Alimentation à courant alternatif bifilaire avec neutre | IPXX  | Symbole IP   |
| 3   | Alimentation triphasée                                  |   |  |
| 3N  | Alimentation triphasée avec neutre                      |   |  |
|     | Éviter de regarder directement le flux de lumière.      |   |  |

## BLOCS-PILES ET CHARGEURS

Le bloc-piles n'est pas totalement chargé d'usine. Avant d'utiliser le bloc-piles et le chargeur, lire les consignes de sécurité ci-après puis suivre la procédure de chargement indiquée. Pour commander un bloc-piles de rechange, s'assurer d'en inclure le numéro de catalogue et la tension.

### LIRE TOUTES LES CONSIGNES

## Consignes importantes de sécurité les blocs-piles

**AVERTISSEMENT :** lisez toutes les consignes de sécurité, les instructions et les symboles d'avertissements du bloc-piles, du chargeur et du produit. Tout manquement aux avertissements et instructions pose des risques de décharges électriques, d'incendie et/ou de blessures graves.

- **Ne pas recharger ou utiliser un bloc-piles en milieu déflagrant, en présence, par exemple, de poussières, gaz ou liquides inflammables.** Le fait d'insérer ou retirer un bloc-piles de son chargeur pourrait causer l'inflammation de poussières ou d'émanations.
- **Lorsque non utilisé, garder le bloc-piles éloigné de petits objets métalliques comme des trombones, des attaches-feuilles, des pièces de monnaie, des clés, des clous et vis ou autres pièces qui pourraient court-circuiter les bornes.** Un court-circuit pourrait causer des brûlures ou un incendie.
- **NE JAMAIS forcer l'insertion d'un bloc-piles dans un chargeur. NE modifier un bloc-piles d'AUCUNE façon pour le faire rentrer dans un chargeur incompatible, car il pourrait se briser et causer des dommages corporels graves.**

- **Recharger les blocs-piles exclusivement dans des chargeurs CRAFTSMAN.**
- **NE PAS** éclabousser le bloc-piles ou l'immerger dans l'eau ou dans tout autre liquide.
- **Ne pas entreposer ou utiliser l'appareil et le bloc-piles en présence de températures ambiantes pouvant excéder 40 °C (104 °F) (comme dans des hangars ou des bâtiments métalliques l'été).** Pour préserver leur durée de vie, entreposer les blocs-piles dans un endroit frais et sec.  
**REMARQUE :** ne pas mettre un bloc-piles dans un outil dont la gâchette est verrouillée en position de marche. Ne jamais bloquer l'interrupteur en position de MARCHÉ.
- **Ne pas incinérer le bloc-piles même s'il est sévèrement endommagé ou complètement usagé, car il pourrait exploser et causer un incendie.** Pendant l'incinération des blocs-piles au lithium-ion, des vapeurs et matières toxiques sont dégagées.
- **En cas de contact du liquide de la pile avec la peau, rincer immédiatement au savon doux et à l'eau.** En cas de contact oculaire, rincer l'œil ouvert à l'eau claire une quinzaine de minutes ou jusqu'à ce que l'irritation cesse. Si des soins médicaux s'avéraient nécessaires, noter que l'électrolyte de la pile est composé d'un mélange de carbonates organiques liquides et de sels de lithium.
- **Le contenu des cellules d'une pile ouverte peut causer une irritation respiratoire.** En cas d'inhalation, exposer l'individu à l'air libre. Si les symptômes persistent, consulter un médecin.

**AVERTISSEMENT :** risques de brûlure. Le liquide de la pile peut s'enflammer s'il est exposé à des étincelles ou à une flamme.

**AVERTISSEMENT :** risques d'incendie. Ne jamais tenter d'ouvrir le bloc-piles pour quelque raison que ce soit. Si le boîtier du bloc-piles est fissuré ou endommagé, ne pas l'insérer dans un chargeur. Ne pas écraser, laisser tomber, ou endommager les blocs-piles. Ne pas utiliser un bloc-piles ou un chargeur qui a reçu un choc violent, ou si l'appareil est tombé, a été écrasé ou endommagé de quelque façon que ce soit (p. ex. percé par un clou, frappé d'un coup de marteau, piétiné). Les blocs-piles endommagés doivent être renvoyés à un centre de réparation pour y être recyclés.

## Recommandations de stockage

1. Le lieu idéal de rangement est un lieu frais et sec, à l'abri de toute lumière solaire directe et de toute température excessive.
2. Pour un stockage prolongé, il est recommandé d'entreposer le bloc-piles pleinement chargé dans un lieu frais et sec, hors du chargeur pour optimiser les résultats.



**REMARQUE :** les blocs-piles ne devraient pas être entreposés complètement déchargés. Il sera nécessaire de recharger le bloc-piles avant réutilisation.

## Le sceau SRPRC®

Le sceau SRPRC® (Société de recyclage des piles rechargeables du Canada) apposé sur une pile au nickel-cadmium, à hydrure métallique de nickel ou au lithium-ion (ou un bloc-piles) indique que les coûts de recyclage de ces derniers en fin d'utilisation ont déjà été réglés par CRAFTSMAN. Dans certaines régions, la mise au rebut ou aux ordures municipales des piles au nickel-cadmium, à l'hydrure métallique de nickel ou au lithium-ion, est illégale ; le programme de l'Appel à Recycler® constitue donc une solution pratique et écologique.



Appel à Recycler Canada, Inc., en collaboration avec CRAFTSMAN et d'autres utilisateurs de piles, a mis sur pied de programme aux États-Unis et au Canada pour faciliter la collecte des piles au nickel-cadmium, à l'hydrure métallique de nickel ou au lithium-ion usagées. Aidez-nous à protéger l'environnement et à conserver nos ressources naturelles en renvoyant les piles au nickel-cadmium, à l'hydrure métallique de nickel ou au lithium-ion usagées à un centre de réparation autorisé CRAFTSMAN ou chez votre détaillant afin qu'elles y soient recyclées. On peut en outre se renseigner auprès d'un centre de recyclage local pour connaître d'autres sites les acceptant. SRPRC® est une marque déposée de l'Appel à Recycler Canada, Inc. .

## Transport



**AVERTISSEMENT :** *risques d'incendie. Au moment de ranger ou transporter le bloc-piles, veiller à protéger ses bornes à découvert de tout objet métallique. Par exemple, éviter de placer le bloc-piles dans un tablier, une poche, une boîte à outils ou un tiroir, etc. contenant des objets tels que clous, vis, clés, etc. Le fait de transporter des blocs-piles comporte des risques d'incendie, car les bornes des piles pourraient entrer, par inadvertance, en contact avec des objets conducteurs, tels que : clés, pièces de monnaie, outils ou autres. La réglementation sur les produits dangereux (Hazardous Material Regulations) du département américain des transports interdit, en fait, le transport des blocs-piles dans les commerces ou dans les avions dans les bagages de cabine, À MOINS qu'ils ne soient correctement protégés de tout court-circuit. Aussi lors du transport individuel de blocs-piles, s'assurer que leurs bornes sont bien protégées et isolées de tout matériau pouvant entrer en contact avec elles et provoquer un court-circuit.*

## Directives de sécurité importantes propres à tous les chargeurs de piles



**AVERTISSEMENT :** *lisez toutes les consignes de sécurité, les instructions et les symboles d'avertissements du bloc-piles, du chargeur et du produit. Tout manquement aux avertissements et instructions pose des risques de décharges électriques, d'incendie et/ou de blessures graves.*

- **NE PAS tenter de recharger le bloc-piles avec tout autre chargeur qu'une unité CRAFTSMAN.** *Le chargeur CRAFTSMAN et son bloc-piles sont conçus spécialement pour fonctionner conjointement.*
- **Ces chargeurs n'ont pas été conçus pour une utilisation autre que recharger les blocs-piles rechargeables CRAFTSMAN.** *Toute autre utilisation comporte des risques d'incendie, de chocs électriques ou d'électrocution.*
- **Protéger le chargeur de la pluie ou de la neige.**
- **Tirer sur la fiche plutôt que sur le cordon pour débrancher le chargeur.** *Cela permet de réduire les risques d'endommager la fiche ou le cordon d'alimentation.*
- **S'assurer que le cordon est protégé de manière à ce que personne ne marche ni ne trébuche dessus, ou à ce qu'il ne soit ni endommagé ni soumis à aucune tension.**
- **N'utiliser une rallonge qu'en cas de nécessité absolue.** *L'utilisation d'une rallonge inadéquate comporte des risques d'incendie, de chocs électriques ou d'électrocution.*
- **Pour utiliser un chargeur à l'extérieur, le placer dans un endroit sec et utiliser une rallonge conçue pour l'extérieur.** *L'utilisation d'une rallonge conçue pour l'extérieur réduit les risques de chocs électriques.*
- **Pour la sécurité de l'utilisateur, utiliser une rallonge de calibre adéquat (AWG, American Wire Gauge [calibrage américain normalisé des fils électriques]).** *Plus le calibre est petit, et plus sa capacité est grande. Un calibre 16, par exemple, a une capacité supérieure à un calibre 18. L'usage d'une rallonge de calibre insuffisant causera une chute de tension qui entraînera perte de puissance et surchauffe. Si plus d'une rallonge est utilisée pour obtenir une certaine longueur, s'assurer que chaque rallonge présente au moins le calibre de fil minimum. Le tableau ci-dessous illustre les calibres à utiliser selon la longueur de rallonge et l'intensité nominale indiquée sur la plaque signalétique. En cas de doute, utiliser le calibre suivant. Plus le calibre est petit, plus la rallonge peut supporter de courant.*

**Calibre minimum pour les cordons d'alimentation**

| Volts    |              | Longueur totale du cordon d'alimentation en mètre (pieds) |            |                |            |
|----------|--------------|---|------------|----------------|------------|
| 120 V    |              | 7,6 (25)  | 15,2 (50)  | 30,5 (100)     | 45,7 (150) |
| 240 V    |              | 15,2 (50)   | 30,5 (100) | 61,0 (200)     | 91,4 (300) |
| Ampères  |              | AWG   |            |                |            |
| Plus que | Pas plus que |   |            |                |            |
| 0        | 6            | 18  | 16         | 16             | 14         |
| 6        | 10           | 18  | 16         | 14             | 12         |
| 10       | 12           | 16  | 16         | 14             | 12         |
| 12       | 16           | 14  | 12         | Non recommandé |            |

- **Ne poser aucun objet sur le chargeur. Ne pas mettre le chargeur sur une surface molle qui pourrait en bloquer la ventilation et provoquer une surchauffe interne.** Éloigner le chargeur de toute source de chaleur. Le chargeur dispose d'orifices d'aération sur le dessus et le dessous du boîtier.
- **Ne pas le faire fonctionner avec un cordon d'alimentation ou une fiche endommagée.**
- **Ne pas utiliser le chargeur s'il a reçu un coup, fait une chute ou a été endommagé de quelque façon que ce soit.** Le ramener dans un centre de réparation agréé.
- **Ne pas démonter le chargeur. Pour tout service ou réparation, le rapporter dans un centre de réparation agréé.** Le fait de le réassembler de façon incorrecte comporte des risques de chocs électriques, d'électrocution et d'incendie.
- **Débrancher le chargeur du secteur avant tout entretien. Cela réduira tout risque de chocs électriques.** Le fait de retirer le bloc-piles ne réduira pas ces risques.
- **NE JAMAIS tenter de connecter 2 chargeurs ensemble.**
- **Le chargeur a été conçu pour être alimenté en courant électrique domestique standard de 120 volts. Ne pas tenter de l'utiliser avec toute autre tension.** Cela ne s'applique pas aux chargeurs de postes mobiles.

**⚠ AVERTISSEMENT :** risques de chocs électriques. Ne laisser aucun liquide pénétrer dans le chargeur, des chocs électriques pourraient en résulter.

**⚠ AVERTISSEMENT :** risques de brûlure. Ne submerger le bloc-piles dans aucun liquide et le protéger de toute infiltration de liquide. Ne jamais tenter d'ouvrir le bloc-piles pour quelque raison que ce soit. Si le boîtier plastique du bloc-piles est brisé ou fissuré, le retourner dans un centre de réparation pour y être recyclé.

**⚠ ATTENTION :** risques de brûlure. Pour réduire tout risque de dommages corporels, ne recharger que des blocs-piles rechargeables

CRAFTSMAN Tout autre type de piles pourrait exploser et causer des dommages corporels et matériels.










**AVIS :** sous certaines conditions, lorsque le chargeur est connecté au bloc d'alimentation, des matériaux étrangers pourraient court-circuiter le chargeur. Les corps étrangers conducteurs tels que (mais pas limité à) poussières de rectification, débris métalliques, laine d'acier, feuilles d'aluminium, ou toute accumulation de particules métalliques doivent être maintenus à distance des orifices du chargeur. Débrancher systématiquement le chargeur lorsque le bloc-piles n'y est pas inséré. Débrancher systématiquement le chargeur avant tout entretien.

## Chargement du bloc-piles

**REMARQUE :** afin d'assurer la performance et la vie maximales des blocs-piles au lithium-ion, chargez complètement le bloc-pile avant la première utilisation.

1. Branchez le chargeur dans une prise appropriée avant d'insérer le bloc-piles.
2. Branchez le chargeur et le bloc-piles en vous assurant que le bloc-piles est bien mis en place. Le voyant rouge (chargement) clignotera sans cesse indiquant que le processus de chargement est commencé.
3. La fin de la recharge sera indiquée par le voyant qui demeurera allumé de façon continue. Le bloc-piles est complètement chargé et peut être retiré utilisé à ce moment ou laissé dans le chargeur.

**REMARQUE :** pour retirer le bloc-piles, on doit appuyer sur le bouton de libération du bloc-piles sur certains chargeurs.

| Indicators  |   |   |   |
|---|---|---|---|
|   | Bloc-piles en Cours de Chargement           |   |   |
|  | Bloc-piles Chargé                           |  |  |
|  | Suspension de Charge Contre le Chaud/Froid* |  |  |

Le chargeur ne chargera pas un bloc-piles défectueux. Un chargeur ne se mettant pas en fonction pourrait être défectueux.

**REMARQUE :** si le chargeur ne se met pas en fonction, faites tester le chargeur et le bloc-piles à un centre de service autorisé.

### Fonction de suspension de charge contre le chaud/froid

Lorsque le chargeur détecte un bloc-piles trop chaud ou trop froid, il démarre automatiquement la fonction de suspension de charge contre le chaud, suspendant le chargement jusqu'à ce que le bloc-piles ait repris une température appropriée. Le chargeur ensuite se remettra automatiquement en mode de chargement. Cette caractéristique assure aux blocs-piles une durée de vie maximale.

Un bloc-piles froid peut recharger moins vite qu'un bloc-piles chaud.

## Remarques importantes concernant le chargement

1. Pour augmenter la durée de vie du bloc-piles et optimiser son rendement, le recharger à une température ambiante de 18 ° à 24 °C (65 °F à 75 °F). NE PAS charger lorsque le bloc-piles est en dessous de +4,5 °C (+40 °F) ou au-dessus de +40 °C (+104 °F). C'est important pour prévenir tout dommage sérieux au bloc-piles.
2. Le chargeur et son bloc-piles peuvent devenir chauds au toucher pendant la charge. C'est normal et ne représente en aucun cas une défaillance du produit. Pour faciliter le refroidissement du bloc-piles après utilisation, éviter de laisser le chargeur ou le bloc-piles dans un local où la température ambiante est élevée comme dans un hangar métallique ou une remorque non isolée.
3. Si le bloc-piles ne se recharge pas correctement :
  - a. Vérifier le bon fonctionnement de la prise en y branchant une lampe ou tout autre appareil électrique.
  - b. Vérifier que la prise n'est pas contrôlée par un interrupteur qui coupe le courant lorsqu'on éteint les lumières.
  - c. Déplacer le chargeur et le bloc-piles dans un local où la température ambiante se trouve entre environ 18 ° et 24 °C (65 °F et 75 °F).
  - d. Si le problème persiste, amener l'outil, le bloc-piles et son chargeur dans un centre de réparation local.
4. Recharger le bloc-piles lorsqu'il ne produit plus assez de puissance pour effectuer un travail qu'il faisait facilement auparavant. NE PAS CONTINUER à l'utiliser dans ces conditions. Suivre la procédure de charge. Si nécessaire, il est aussi possible de recharger un bloc-piles partiellement déchargé sans effet nuisible sur le bloc-piles.
5. Les corps étrangers conducteurs tels que (mais pas limité à) poussières de rectification, débris métalliques, laine d'acier, feuilles d'aluminium, ou toute accumulation de particules métalliques doivent être maintenus à distance des orifices du chargeur. Débrancher systématiquement le chargeur lorsque le bloc-piles n'y est pas inséré. Débrancher systématiquement le chargeur avant tout entretien.
6. Ne pas congeler ou immerger le chargeur dans l'eau ou tout autre liquide.

## Instructions d'entretien du chargeur

**⚠ AVERTISSEMENT :** *risques de chocs électriques. Débrancher le chargeur de la prise de courant alternatif avant tout entretien. Éliminer toute saleté ou graisse de la surface externe du chargeur à l'aide d'un chiffon ou d'une brosse non métallique douce. N'utiliser ni eau ni aucun nettoyant liquide.*

## Installation murale

Ces chargeurs ont été conçus pour une installation murale ou pour être posés sur une table ou une surface de travail. Pour une fixation murale, installez le chargeur à proximité d'une prise électrique, et à l'écart de coins ou de toute autre obstruction au passage de l'air. Utilisez l'arrière du chargeur pour marquer l'emplacement des vis de montage sur le mur. Fixez soigneusement le chargeur à l'aide de vis autoforeuses (vendues séparément) d'au moins 25,4 mm (1 po) de long, et de diamètre de tête de 7-9 mm (0,28-0,35 po), que vous visserez dans le bois en laissant une longueur optimale d'environ 5,5 mm (7/32 po) exposée. Alignez les orifices à l'arrière du chargeur sur les vis exposées et insérez à fond ces dernières dans les orifices.

## Versatrack

Les chargeurs CRAFTSMAN peuvent être installés au mur à l'aide des fixations VersaTrack de CRAFTSMAN. Les crochets et les accessoires sont vendus séparément. Veuillez consulter la feuille d'accessoires des fixations VersaTrack pour de plus amples renseignements.

# CONSERVER CES CONSIGNES POUR UTILISATION ULTÉRIEURE

## DESCRIPTION (FIG. A)

### Utilisation prévue

L'aspirateur a été conçu pour aspirer des déchets humides ou secs sans avoir à changer aucun composant pour passer de l'aspiration de l'humide au sec ou du sec à l'humide. Cet aspirateur est exclusivement destiné à une utilisation domestique.

Il est recommandé de vider la cuve de tout contenu sec avant de l'utiliser pour aspirer des éléments humides pour faciliter le nettoyage de la cuve.

**NE PAS** l'utiliser en milieu ambiant humide ou en présence de liquides ou de gaz inflammables.

**NE PAS** le laisser à la portée de enfants. Une supervision est nécessaire auprès de tout utilisateur inexpérimenté.

## ASSEMBLAGE ET RÉGLAGES

**⚠ AVERTISSEMENT :** *pour réduire tout risque de dommages corporels graves, arrêter l'outil et retirer le bloc-piles avant tout réglage ou avant de retirer ou installer toute pièce ou tout accessoire. Tout démarrage accidentel comporte des risques de dommages corporels.*

## Rattacher le tuyau de l'aspirateur (Fig. A, B)

Le tuyau de l'aspirateur **8** doit être rattaché à l'aspirateur avant d'utiliser l'appareil.

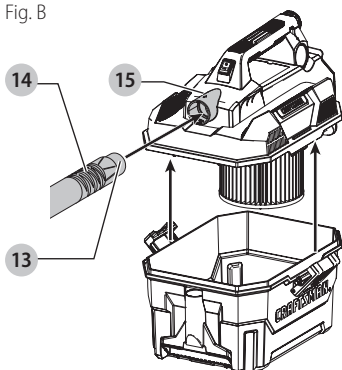
1. Disposez l'aspirateur sur une surface plane et ferme.

## FRANÇAIS

- Déverrouillez les verrouillages de la cuve **5** puis retirez le bloc moteur de la cuve. Retirez le tuyau **8** de la cuve **4**.
- Alignez l'extrémité du tuyau **13** sur la buse d'admission **6** à l'avant de l'appareil, en vous assurant que le verrou d'alignement du tuyau **14** s'aligne sur la flèche **15** sur la buse d'admission.
- Insérez l'extrémité du tuyau dans la buse d'admission et tournez-le vers la droite pour le verrouiller en place.
- Réinstallez le bloc moteur sur la cuve puis verrouillez-le soigneusement.

**REMARQUE :** le bloc moteur ne pourra être réinstallé sur la cuve que lorsque la buse d'admission à l'avant du bloc moteur et le logement du large embout **12** sur la cuve seront alignés.

Fig. B



## UTILISATION

**⚠ AVERTISSEMENT :** pour réduire tout risque de dommages corporels graves, arrêter l'appareil et retirer le bloc-piles avant tout réglage ou avant de retirer ou installer toute pièce ou tout accessoire. Tout démarrage accidentel comporte des risques de dommages corporels.

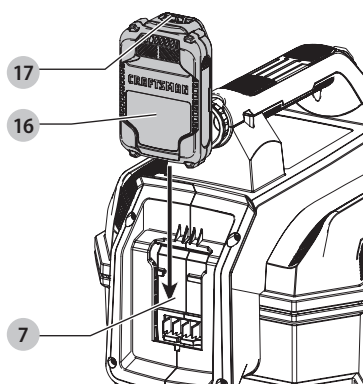
### Installation et retrait du bloc-piles (Fig. C)

**⚠ ATTENTION :** s'assurer que le port de connexion de batterie et les bornes sont secs et propres avant d'installer le bloc-piles.

Pour installer le bloc-piles **16** dans le bloc moteur, alignez le bloc-piles sur les rails du logement du bloc-piles **7** et poussez-le fermement en place puis vérifiez qu'il ne s'en détachera pas.

Pour retirer le bloc-piles de l'outil, poussez sur le bouton de libération **17** et tirez fermement le bloc-piles hors de la poignée de l'outil. Insérez-le dans son chargeur comme décrit dans la section appropriée de ce guide d'utilisation.

Fig. C

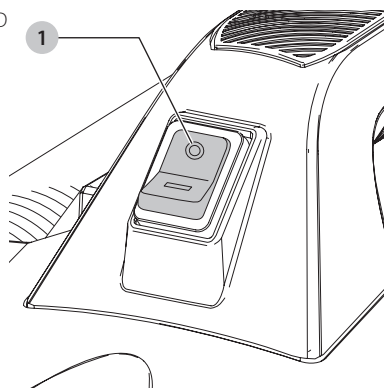


### Utilisation de l'aspirateur

#### Interrupteur Marche/Arrêt (Fig. A, D)

- Rattachez l'accessoire adéquat au tuyau **8**.
- Insérez le bloc-piles.
- Pour mettre l'aspirateur en marche, appuyez sur le bouton I/O (marche/arrêt) **1**.

Fig. D



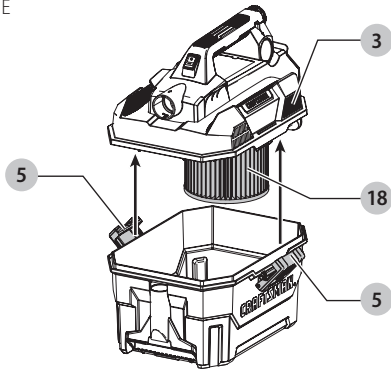
### Utilisation de l'aspirateur à sec

#### Vidange du réservoir (Fig. A, E)

Le son du moteur change et la succion est réduite lorsque la cuve est pleine.

- Arrêtez l'aspirateur. Retirez le bloc-piles.
- Déverrouillez les verrouillages de la cuve **5** puis retirez le bloc moteur **3** de la cuve.
- Videz le contenu de la cuve dans le récipient adéquat.
- Nettoyez ou changez le filtre **18**. Reportez-vous à la section **Filtre** de ce guide d'utilisation.
- Vérifiez qu'aucun dommage n'a été porté à l'aspirateur par des objets étrangers. Veuillez contacter le centre de réparation agréé le plus proche pour faire remplacer toute pièce manquante ou endommagée.
- Réinstallez le bloc moteur **3** sur le réservoir **4** puis verrouillez-le soigneusement.

Fig. E



## Utilisation de l'aspirateur pour des liquides (Fig. A)

**⚠ AVERTISSEMENT :** *pour réduire tout risque de chocs électriques, ne pas l'exposer à la pluie. Entreposer à l'intérieur.*

**⚠ ATTENTION :** *ne pas incliner l'aspirateur pendant l'utilisation. Si la cuve de l'aspirateur contenait un liquide, il pourrait s'écouler par l'orifice d'échappement.*

**⚠ ATTENTION :** *s'assurer que le port de connexion de batterie et les bornes sont secs et propres avant d'installer le bloc-piles.*

Le filtre doit être retiré avant d'utiliser l'aspirateur pour éliminer des liquides. Reportez-vous à la section **Filtre** de ce guide d'utilisation.

### Vidange du réservoir

Le son du moteur change et la succion est réduite lorsque la cuve est pleine.

1. Arrêtez l'aspirateur. Retirez le bloc-piles.
2. Déverrouillez les verrouillages de la cuve **5** puis retirez le bloc moteur de la cuve.
3. Videz le contenu de la cuve.
4. Vérifiez qu'aucun dommage n'a été porté à l'aspirateur par des objets étrangers. Veuillez contacter le centre de réparation agréé le plus proche pour faire remplacer toute pièce manquante ou endommagée.
5. Séchez l'intérieur du bloc moteur et de la cuve à l'aide d'un chiffon propre.
6. Réinstallez le bloc moteur **3** sur la cuve **5** puis verrouillez-le soigneusement.

## Filtre

### Entretien du filtre (Fig. F)

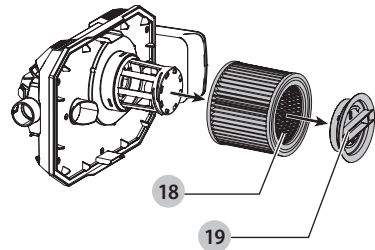
Le filtre sec/humide **18** inclus avec cet aspirateur est un filtre longue durée. Pour optimiser la réduction de la recirculation de la poussière, les filtres DOIVENT être installés correctement et en bonne condition.

**REMARQUE :** le bon fonctionnement et l'efficacité de tout aspirateur dépendent de la propreté du filtre. Si le filtre venait à s'encrasser au-delà d'un nettoyage possible, ou à être endommagé ou à ne pas jouer son rôle correctement, le remplacer seulement par un filtre recommandé dans ce manuel.

### Nettoyage ou changement de filtre (Fig. A, F)

1. Arrêtez l'aspirateur. Retirez le bloc-piles.
2. Déverrouillez les verrouillages de la cuve **5** puis retirez le bloc moteur de la cuve. Déverrouillez le verrou de filtre **19** en le tournant vers la gauche. Tirez le filtre **18** pour le sortir du bloc moteur.
3. Nettoyez le filtre en secouant la poussière excessive en le tapotant contre une poubelle, puis rincez-le à l'eau claire. Selon la condition du filtre, un nettoyage à l'eau ne sera peut-être pas nécessaire. N'utilisez pas de brosse pour nettoyer le filtre.
4. Réinstallez le filtre puis arrimez son verrou sur le bloc moteur. Tournez le verrou du filtre vers la droite et assurez-vous que le filtre est bien verrouillé.
5. Réinstallez le bloc moteur sur la cuve puis verrouillez-le soigneusement.

Fig. F



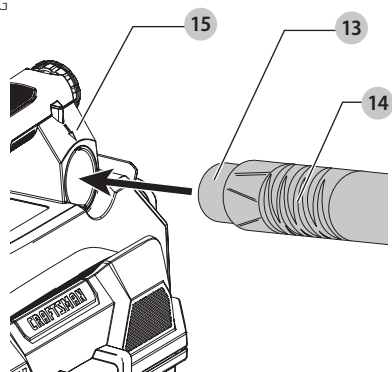
## Souffleur

La fonction souffleur peut être utilisée pour éliminer les débris d'espaces réduits, pour sécher un sol humide, éliminer l'herbe coupée ou les feuilles sur un chemin extérieur, une terrasse, etc.

### Utilisation en tant que souffleur (Fig. A, G)

1. Videz la cuve en suivant les instructions de la section **Utilisation de l'aspirateur à sec** de ce guide d'utilisation.
2. Tournez le tuyau de l'aspirateur **8** vers la gauche pour le retirer de la buse d'admission.
3. Alignez l'extrémité du tuyau **13** sur l'orifice d'échappement latéral **10**, en vous assurant que le verrouillage d'alignement du tuyau **14** s'aligne sur la flèche **15** au-dessus de l'orifice d'échappement latéral.
4. Insérez l'extrémité du tuyau dans l'orifice d'échappement latéral et tournez-le vers la droite pour le verrouiller en place.

Fig. G



## Stockage du tuyau et des accessoires

Après utilisation de l'aspirateur, retirez le bloc-piles.

Le tuyau de l'aspirateur peut être entouré autour de l'appareil, sous l'interface du bloc-piles, et arrimé à l'aide du collier de serrage 9 aussi situé à l'arrière de l'aspirateur. Les deux accessoires (sucœur et large embout) peuvent être aussi entreposés sur l'aspirateur.

## MAINTENANCE

**⚠ AVERTISSEMENT :** *pour réduire le risque de blessures graves, éteindre l'outil et retirer le bloc-piles avant d'effectuer tout réglage et d'enlever ou d'installer tout accessoire. Un démarrage accidentel peut provoquer des blessures.*

## Lubrification

Ne lubrifiez jamais le moteur de l'aspirateur. Les roulements du moteur sont scellés de façon permanente. L'aspirateur a été conçu pour un usage intérieur et pour aspirer des déchets secs et humides, mais n'a pas été conçu pour être exposé à la pluie.

## Accessoires

**⚠ AVERTISSEMENT :** *puisque les accessoires autres que ceux offerts par CRAFTSMAN n'ont pas été testés avec ce produit, leur utilisation pourrait s'avérer dangereuse. Pour réduire le risque de blessures, utiliser exclusivement les accessoires CRAFTSMAN recommandés avec le présent produit.*

Les accessoires recommandés pour cet outil sont vendus séparément au centre de service de votre région. Pour obtenir de l'aide concernant l'achat d'un accessoire, communiquer avec CRAFTSMAN., composer le **1-888-331-4569**.

## Réparations

Le chargeur et le bloc-piles ne sont pas réparables. Le chargeur ou le bloc-piles ne comportent aucune pièce réparable.

**⚠ AVERTISSEMENT :** *pour assurer la SÉCURITÉ et la FIABILITÉ du produit, les réparations, l'entretien et les réglages doivent être réalisés (cela comprend l'inspection et le remplacement du balai, le cas échéant) par un centre de réparation en usine CRAFTSMAN ou un centre de réparation agréé CRAFTSMAN. Toujours utiliser des pièces de rechange identiques.*

## Nettoyage

**⚠ AVERTISSEMENT :** *enlever les saletés et la poussière hors des événements au moyen d'air comprimé propre et sec, au moins une fois par semaine. Pour minimiser le risque de blessure aux yeux, toujours porter une protection oculaire conforme à la norme ANSI Z87.1 lors du nettoyage.*

**⚠ AVERTISSEMENT :** *ne jamais utiliser de solvants ni d'autres produits chimiques puissants pour nettoyer les pièces non métalliques de l'outil. Ces produits chimiques peuvent affaiblir les matériaux de plastique utilisés dans ces pièces. Utiliser un chiffon humecté uniquement d'eau et de savon doux. Ne jamais laisser de liquide pénétrer dans l'outil et n'immerger aucune partie de l'outil dans un liquide.*

## Registre en ligne

Merci pour votre achat. Enregistrez dès maintenant votre produit:

- **RÉPARATIONS SOUS GARANTIE:** cette carte remplie vous permettra de vous prévaloir du service de réparations sous garantie de façon plus efficace dans le cas d'un problème avec le produit.
- **CONFIRMATION DE PROPRIÉTÉ:** en cas de perte provoquée par un incendie, une inondation ou un vol, cette preuve de propriété vous servira de preuve auprès de votre compagnie d'assurances.
- **SÉCURITÉ:** l'enregistrement de votre produit nous permettra de communiquer avec vous dans l'éventualité peu probable de l'envoi d'un avis de sécurité régi par la loi fédérale américaine de la protection des consommateurs.

Registre en ligne à **[www.craftsman.com/registration](http://www.craftsman.com/registration)**

## Garantie limitée de trois ans

CRAFTSMAN réparera ou remplacera sans frais tout appareil défectueux pour cause de défaut de matériau ou de main-d'œuvre sur une période de trois ans à partir de la date d'achat de l'outil (deux ans pour les bloc-piles). Cette garantie ne couvre pas les pièces en panne pour cause d'abus ou d'usure normale de l'outil. Pour plus de détails au sujet de la couverture de la garantie et l'information de réparation sous garantie, visitez **[www.craftsman.com](http://www.craftsman.com)** ou composez le **1-888-331-4569**. Cette garantie ne s'applique pas aux accessoires ou dommages causés par

des réparations effectuées ou tentées par d'autres. CETTE GARANTIE REMPLACE TOUTES LES AUTRES, INCLUANT LES GARANTIES IMPLICITES DE LA QUALITÉ MARCHANDE ET L'APTITUDE POUR UN BUT PARTICULIER, ET EXCLUT TOUS LES DOMMAGES ACCIDENTELS OU CONSÉCUTIFS. Certaines provinces ne permettent pas de limitation sur la durée de la garantie implicite ou l'exclusion ou la limitation de dommages indirects, alors ces limitations peuvent ne pas s'appliquer à vous. Cette garantie vous donne des droits légaux particuliers et vous pouvez avoir d'autres droits qui varient selon les états ou les provinces.,

#### CONTRAT D'ENTRETIEN GRATUIT DE DEUX ANS SUR LES BLOC-PILES CRAFTSMAN

CMCB201, CMCB2011

#### CONTRAT D'ENTRETIEN GRATUIT DE TROIS ANS SUR LES BLOC-PILES CRAFTSMAN

CMCB202, CMCB204

**REMARQUE :** La garantie de ce produit sera annulée si le bloc-piles a été altéré de quelque façon que ce soit. CRAFTSMAN ne peut être tenu responsable de tout dommage corporel causé par l'altération du produit et pourra poursuivre toute fraude en matière de garantie dans toute l'étendue permise par la loi.

#### GARANTIE DE REMBOURSEMENT DE 90 JOURS

Si l'acheteur n'est pas entièrement satisfait, pour quelque raison que ce soit, du rendement de l'outil électrique ou de la cloueuse CRAFTSMAN, celui-ci peut le retourner, accompagné d'un reçu, dans les 90 jours à compter de la date d'achat pour obtenir un remboursement intégral, sans aucun problème.

**AMÉRIQUE LATINE :** cette garantie ne s'applique aux produits vendus en Amérique latine. Pour ceux-ci, veuillez consulter les informations relatives à la garantie spécifique présente dans l'emballage, appeler l'entreprise locale ou consulter le site Web pour les informations relatives à cette garantie.

#### REMPLACEMENT GRATUIT DES ÉTIQUETTES

**D'AVERTISSEMENT :** si les étiquettes d'avertissement deviennent illisibles ou sont manquantes, composer le **1-888-331-4569** pour en obtenir le remplacement gratuit.

## GUIDE DE DÉPANNAGE

### ASSUREZ-VOUS DE SUIVRE LES DIRECTIVES ET RÈGLES DE SÉCURITÉ

Pour de l'aide avec l'outil, consulter notre site Web [www.craftsman.com](http://www.craftsman.com) pour l'emplacement du centre de réparation le plus près ou communiquer avec l'assistance CRAFTSMAN au 1-888-331-4569.

| PROBLÈME                             | CAUSE PROBABLE  | SOLUTION POSSIBLE  |
|--------------------------------------|---|--|
| L'appareil refuse de démarrer.       | Le bloc-piles n'est pas installé correctement.  | Vérifier l'installation du bloc-piles.   |
|                                      | Le bloc-piles n'est pas rechargé.   | Vérifier la méthode de chargement du bloc-piles.   |
|                                      | Les composants internes sont en surchauffe.   | Laisser l'outil refroidir.   |
|                                      | Les balais sont usés.   | Faire remplacer les balais chez un centre de réparation agréé.   |
| Le bloc-piles ne se recharge pas.    | Le bloc-piles n'est pas inséré dans le chargeur.  | Insérer le bloc-piles dans le chargeur et vérifier que le voyant DEL s'allume.   |
|                                      | Le chargeur n'est pas branché.  | Brancher le chargeur dans une prise sous tension. Se reporter aux <b>Remarques importantes propres au chargement</b> pour plus de détails.       |
|                                      | La température ambiante est trop élevée ou trop basse.  | Déplacer le chargeur et le bloc-piles dans un lieu où la température ambiante est au-dessus de 4,5 °C (40 °F) ou au-dessous de 40,5 °C (105 °F). |
| L'appareil s'éteint abruptement.     | Le bloc-piles a atteint sa limite thermique maximum.  | Laisser le bloc-piles refroidir.   |
|                                      | Déchargé. (Pour optimiser la durée de vie du bloc-piles, il a été conçu pour s'arrêter abruptement en fin de charge.) | Le placer sur le chargeur et le laisser se recharger.  |
| La puissance de succion est réduite. | La cuve est pleine.   | Vider la cuve.   |
|                                      | Le filtre est sale ou obstrué.  | Nettoyer ou changer le filtre.   |

## Definiciones: Símbolos y palabras de alerta de seguridad

Este manual de instrucciones utiliza los siguientes símbolos y palabras de alerta de seguridad para alertarle de situaciones peligrosas y del riesgo de lesiones corporales o daños materiales.

**⚠ PELIGRO:** Indica una situación de peligro inminente que, si no se evita, provocará **la muerte o lesiones graves**.

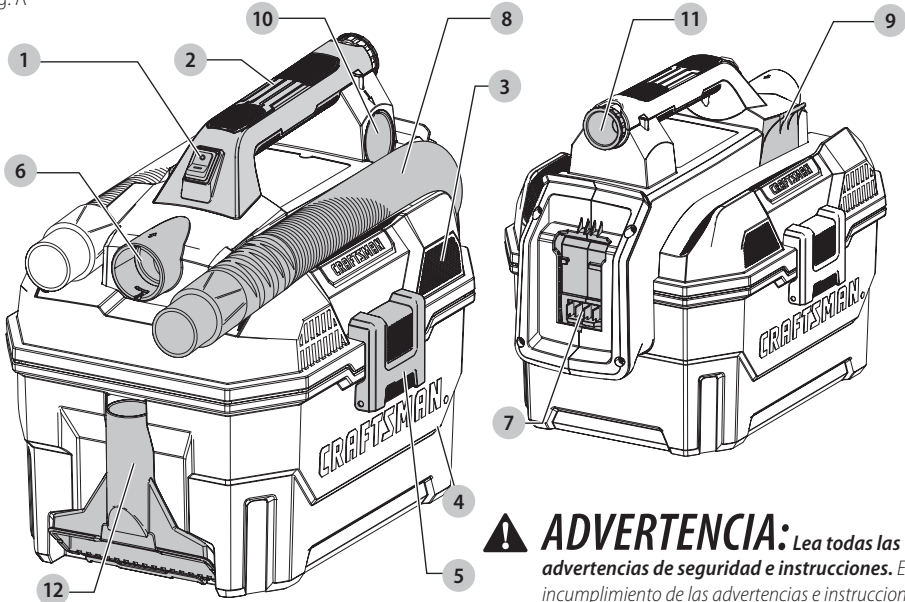
**⚠ ADVERTENCIA:** Indica una situación de peligro potencial que, si no se evita, **podría provocar la muerte o lesiones graves**.

**⚠ ATENCIÓN:** Indica una situación de peligro potencial que, si no se evita, **posiblemente provocaría lesiones leves o moderadas**.

**⚠** (Utilizado sin palabras) indica un mensaje de seguridad relacionado.

**AVISO:** Se refiere a una práctica **no relacionada a lesiones corporales** que de no evitarse **puede** resultar en **daños a la propiedad**.

Fig. A



### COMPONENTES

- |                              |                               |
|------------------------------|-------------------------------|
| 1 Botón de encendido/apagado | 7 Puerto de batería           |
| 2 Mango principal            | 8 Manguera de aspiradora      |
| 3 Cabezal de potencia        | 9 Gancho de manguera          |
| 4 Depósito                   | 10 Orificio lateral de escape |
| 5 Seguro del depósito        | 11 Accesorio para bordes      |
| 6 Orificio de entrada        | 12 Accesorio de boca ancha    |

**⚠ ADVERTENCIA:** Lea todas las advertencias de seguridad e instrucciones. El incumplimiento de las advertencias e instrucciones puede provocar descargas eléctricas, incendios o lesiones graves.

**⚠ ADVERTENCIA:** Nunca modifique la herramienta eléctrica, ni tampoco ninguna de sus piezas. Podría producir lesiones corporales o daños.

**⚠ ADVERTENCIA:** Para reducir el riesgo de lesiones, lea el manual de instrucciones.

Si tiene alguna duda o algún comentario sobre ésta u otra herramienta CRAFTSMAN, llámenos al número gratuito: 1-888-331-4569.




## Aspiradora Húmeda/Seca de 7,6 litros (2,0 Galones) 20 V Máx\* CMCV002

# INSTRUCCIONES DE SEGURIDAD IMPORTANTES

### LEA TODAS LAS INSTRUCCIONES ANTES DE USAR ESTE APARATO

Cuando use este aparato, siempre se deben seguir las precauciones de seguridad básicas, incluyendo las siguientes:

-  **ADVERTENCIA:** Para reducir el riesgo de incendios, descarga eléctrica, y lesiones:
  - **No deje el aparato cuando esté conectado a la fuente de energía.** Retire el paquete de batería cuando no esté en uso y antes de dar servicio.
  - **No permita que el aparato se use como un juguete.** Se necesita poner atención cuando sea usado por o cerca de niños.
  - **SÓLO use este aparato como se describe en este manual.** Use sólo accesorios recomendados.
  - **No use este aparato si muestra señales de falla de cualquier manera.** Si el aparato no funciona correctamente, se ha dejado caer, se dañó, se dejó en exteriores, o se dejó caer en agua, regréselo a un centro de servicio.
  - No maneje el aparato con las manos húmedas.
  - **No coloque ningún objeto en las aberturas del aparato.** No use el aparato con ninguna abertura bloqueada; manténgalo libre de polvo, pelusa, cabello y cualquier cosa que pueda reducir el flujo de aire.
  - Mantenga el cabello, ropa suelta, los dedos y todas las partes del cuerpo alejados de las aberturas y partes móviles.
  - Apague todos los controles antes de desconectar de la fuente de energía.
  - Tenga cuidado adicional cuando limpie en escaleras.
  - No use el aparato para recoger líquidos inflamables o combustibles, tales como gasolina, o en áreas donde puedan estar presentes líquidos inflamables o combustible.

## CONSERVE ESTAS INSTRUCCIONES

### Reglas de Seguridad Adicionales

 **ADVERTENCIA:** Para reducir el riesgo de descarga eléctrica, no exponer a la lluvia y almacenar bajo techo.

 **ATENCIÓN:** No incline la aspiradora cuando esté utilizándola. Si la aspiradora tiene líquido en el depósito puede salirse del orificio de escape.

- No utilice este aparato si no funciona debidamente, o si se ha caído, dañado, dejado a la intemperie, o se ha caído en agua, devuélvalo a un centro de servicio.
- No ponga el tomacorriente de la aspiradora cerca de los ojos o los oídos cuando esté en funcionamiento.
- **La operación del soplador puede ocasionar que se soplen objetos extraños en los ojos, lo cual puede dañarlos.** Use siempre lentes de seguridad cuando utilice la función del soplador.
- **Use un equipo de seguridad.** Utilice siempre protección ocular. Cuando sea adecuado, también se debe usar mascarilla antipolvo, zapatos de suela antideslizante, casco o protectores auditivos.
- No lo use sin el filtro en su sitio, excepto durante aplicaciones en húmedo.
- No recoja nada que se esté quemando o que esté humeando, como cigarrillos, fósforos o cenizas calientes.
- No lo use en áreas donde haya vapores explosivos.
- No lo use para recoger polvo explosivo, o en áreas donde el aire contenga polvo explosivo como carbón, grano u otro material combustible.
- **Es posible que se produzcan descargas estáticas en áreas secas o cuando la humedad relativa del aire sea baja.** Esto es solo pasajero y no afecta la utilización de la aspiradora. Para reducir la frecuencia de las descargas estáticas, agregue humedad al aire con un humidificador de consola o instalado.
- Para evitar una combustión espontánea, vacíe el recipiente después de cada uso.
- **Guarde las herramientas que no utilice.** Cuando no la utilice, guarde la aspiradora en un lugar seco, elevado o cerrado con llave, fuera del alcance de los niños.
- **Desconecte la batería de la aspiradora antes de realizar ajustes, cambiar accesorios, realizar mantenimiento o reparaciones, mover o guardar la aspiradora.** Dichas medidas preventivas de seguridad reducen el riesgo de poner en marcha el aparato accidentalmente.
- **Evite ponerlo en funcionamiento involuntariamente.** Asegúrese de que el interruptor esté en posición de apagado antes de insertar la batería.
- **No deje nunca la aspiradora desatendida cuando esté en funcionamiento.** Apáguela.

- **Mantenga el área de trabajo limpia y bien iluminada.** Las mesas de trabajo desordenadas y las zonas oscuras propician los accidentes.
- **Evite el contacto del cuerpo con superficies conectadas a tierra como tuberías, radiadores, cocinas eléctricas y refrigeradores.** Existe un mayor riesgo de descarga eléctrica si tiene el cuerpo conectado a tierra.
- **Evite inclinar la aspiradora cuando esté llena de líquido.** Los líquidos pueden derramarse del orificio de escape lateral.
- **No estire el cuerpo demasiado.** Conserve el equilibrio adecuado y manténgase parado correctamente en todo momento. Un buen apoyo y equilibrio permiten controlar mejor la aspiradora si se produce algún imprevisto.
- No utilice el aparato si el interruptor no lo enciende y apaga. Todo aparato que no pueda controlarse con el interruptor es peligroso y debe ser reparado.
- Apague todos los controles antes de sacar la batería.

- **Evite el contacto prolongado con polvo generado por el lijado, aserrado, pulido, taladrado y otras actividades de construcción. Vista ropas protectoras y lave las áreas de la piel expuestas con agua y jabón.** Si permite que el polvo se introduzca en la boca u ojos o quede sobre la piel, puede favorecer la absorción de productos químicos peligrosos.

# CONSERVE ESTAS INSTRUCCIONES

## Instrucción Adicional de Seguridad

**⚠ ADVERTENCIA:** Use **SIEMPRE** lentes de seguridad. Los anteojos de diario **NO SON** lentes de seguridad. Utilice además una cubrebocas o mascarilla antipolvo si la operación de corte genera demasiado polvo. **SIEMPRE LLEVE EQUIPO DE SEGURIDAD CERTIFICADO:**

- protección ocular ANSI Z87.1 (CAN/CSA Z94.3),
- protección auditiva ANSI S12.6 (S3.19),
- protección respiratoria NIOSH/OSHA/MSHA.

**⚠ ADVERTENCIA:** Algunas partículas de polvo generadas al lijar, serrar, esmerilar y taladrar con herramientas eléctricas, así como al realizar otras actividades de construcción, contienen químicos que el Estado de California sabe que pueden producir cáncer, defectos congénitos u otras afecciones reproductivas. Ejemplos de estos químicos son

- plomo de algunas pinturas en base a plomo,
- polvo de sílice proveniente de ladrillos y cemento y otros productos de albañilería, y
- arsénico y cromo provenientes de madera tratada químicamente.

Su riesgo de exposición a estos químicos varía, dependiendo de la frecuencia con la cual realiza usted este tipo de trabajo. Para reducir su exposición a estas sustancias químicas: trabaje en una zona bien ventilada y llevando equipos de seguridad aprobados, como mascarillas antipolvo especialmente diseñadas para filtrar partículas microscópicas.

**⚠ ADVERTENCIA:** La utilización de esta herramienta puede generar polvo o dispersarlo, lo que podría causar daños graves y permanentes al sistema respiratorio, así como otras lesiones. Siempre use protección respiratoria aprobada por NIOSH (Instituto Nacional de Seguridad y Salud en el Trabajo) u OSHA (Administración de Seguridad y Salud en el Trabajo) apropiada para la exposición al polvo. Dirija las partículas en dirección contraria a la cara y el cuerpo.








**⚠ ADVERTENCIA:** Siempre lleve la debida protección auditiva personal en conformidad con ANSI S12.6 (S3.19) durante el uso de esta herramienta. Bajo algunas condiciones y duraciones de uso, el ruido producido por este producto puede contribuir a la pérdida auditiva.

**⚠ ATENCIÓN:** Cuando no esté en uso, guarde la herramienta apoyada en un costado sobre una superficie estable, donde no interrumpa el paso o provoque una caída. Algunas herramientas se pueden colocar en posición vertical, pero pueden caer fácilmente.

- **Los orificios de ventilación suelen cubrir piezas en movimiento, por lo que también se deben evitar.** Las piezas en movimiento pueden atrapar prendas de vestir sueltas, joyas o el cabello largo.

La etiqueta de su herramienta puede incluir los siguientes símbolos. A continuación se indican los símbolos y sus definiciones:

|                  |                                  |                      |  |
|------------------|----------------------------------|----------------------|--|
| V .....          | voltios                          | OPM.....             | oscilaciones por minuto                      |
| Hz .....         | hertz                            | A .....              | amperios                                     |
| min .....        | minutos                          | W .....              | watios                                       |
| — — — or DC..... | direct current                   | ~ or AC.....         | corriente alterna                            |
| Ⓢ.....           | Construcción de Clase I (tierra) | ⎓ or AC/DC....       | corriente alterna o directa                  |
| ... /min.....    | por minuto                       | Ⓢ.....               | Construcción de Clase II (doble aislamiento) |
| BPM.....         | golpes por minuto                | η <sub>0</sub> ..... | velocidad sin carga                          |
| IPM.....         | impactos por minuto              | n .....              | velocidad nominal                            |
| RPM.....         | revoluciones por minuto          | Ⓢ.....               | terminal de conexión a tierra                |
| sfpm .....       | pies de superficie por minuto    |                      |  |
| SPM .....        | pasadas por minuto               |                      |  |

|  |   |   |   |
|--|---|---|---|
|     | ..... símbolo de advertencia de seguridad                         |  | ..... protección auditiva   |
|     | ..... radiación visible   |  | ..... lea toda la documentación   |
|     | ..... protección respiratoria                                     | ...../min or ..min <sup>-1</sup>  | ..... Revoluciones o movimientos alternativos por minuto  |
|     | ..... protección ocular   |  | ..... enlace de fusible miniatura de registro de tiempo donde X es el símbolo para la característica de tiempo/corriente, como se da en IEC 60127-3 |
| 2   | ..... corriente alterna bifásica                                  | IPXX  | ..... Símbolo IP  |
| 2N  | ..... corriente alterna bifásica con neutro                       |   |   |
| 3   | ..... corriente alterna trifásica                                 |   |   |
| 3N  | ..... corriente alterna trifásica con neutro                      |   |   |
|     | ..... corriente nominal de enlace de fusible apropiado en amperes |   |   |
|     | ..... evite mirar fijamente la luz                                |   |   |

## BATERÍAS Y CARGADORES

La batería no viene completamente cargada de fábrica. Antes de utilizar la batería y el cargador, lea las siguientes instrucciones de seguridad y luego siga los procedimientos de carga indicados. Cuando pida baterías de repuesto, no olvide indicar el número de catálogo y el voltaje.

### LEA TODAS LAS INSTRUCCIONES

## Instrucciones de Seguridad Importantes Para Todas las Unidades de Batería

**⚠ ADVERTENCIA:** *Lea todas las advertencias de seguridad, instrucciones y marcas de precaución para el paquete de la batería, el cargador y el producto. No seguir las advertencias y las instrucciones puede provocar una descarga eléctrica, un incendio y/o lesiones graves.*

- **No cargue o use la unidad de batería en atmósferas explosivas, como en presencia de líquidos, gases o polvos inflamables.** Puede que al insertar o sacar la unidad de batería del cargador se inflamen el polvo o los gases.
- **Cuando el paquete de batería no esté en uso, manténgalo alejado de otros objetos metálicos, como sujetadores de papel, monedas, llaves, clavos, tornillos, u otros objetos pequeños de metal que puedan hacer una conexión de una terminal a otra.** Conectar en corto circuito las terminales de la batería puede causar quemaduras o un incendio.
- **NUNCA fuerce la unidad de batería para que entre en el cargador. NO modifique la unidad de batería en ninguna forma para que entre en un**

**cargador no compatible, pues puede producir una ruptura en la unidad de batería y causar lesiones corporales graves.**

- *Cargue las unidades de batería sólo en los cargadores designados por CRAFTSMAN.*
- **NO salpique con ni sumerja en agua u otros líquidos.**
- **No guarde ni use la herramienta y unidad de batería en lugares donde la temperatura pueda alcanzar o superar los 40 °C (104 °F), tales como cobertizos o construcciones de metal durante el verano.** *Almacene las unidades de batería en lugares frescos y secos para maximizar su vida útil.*
- **NOTA: No almacene las unidades de batería en la herramienta con el interruptor de gatillo en posición encendida fija. Nunca use cinta adhesiva para mantener el interruptor de gatillo en posición ENCENDIDA.**
- **No incinere la unidad de batería, aunque esté completamente dañada o descargada. La unidad de batería puede explotar si se quema.** *Cuando se queman unidades de batería de iones de litio, se producen gases y materiales tóxicos.*
- **Si el contenido de la batería entra en contacto con la piel, lave el área de inmediato con agua y un jabón suave.** *Si el líquido de la batería entra en contacto con sus ojos, enjuáguelos con agua y los ojos abiertos por 15 minutos o hasta que cese la irritación. Si se requiere de asistencia médica, el electrolito de la batería está compuesto por una mezcla de carbonatos orgánicos líquidos y sales de litio.*
- **El contenido de los elementos abiertos de la batería puede causar irritación en el tracto respiratorio.** *Salga al aire fresco. Si los síntomas persisten, busque asistencia médica.*

**⚠ ADVERTENCIA:** *Peligro de quemaduras. El líquido de la batería puede ser inflamable si se expone a chispas o llamas.*

**⚠ ADVERTENCIA:** *Peligro de incendio. Nunca intente abrir la unidad de batería por ningún motivo. Si la caja exterior de la unidad de batería se triza o daña, no la introduzca en el cargador. No triture, deje caer o dañe la unidad de batería. No use una unidad de batería o un cargador que haya sido golpeado, dejado caer, atropellado o dañado en cualquier forma (por ejemplo, perforado por un clavo, golpeado con un martillo, pisado). Lleve sus unidades de batería dañadas al centro de servicio para que sean recicladas.*

## Recomendaciones de Almacenamiento

1. El mejor lugar de almacenamiento es uno que sea fresco y seco, lejos de la luz solar directa y del exceso de calor o frío.
2. Para resultados óptimos durante tiempos prolongados de almacenamiento, se recomienda almacenar la unidad de batería completamente cargada en un lugar fresco y seco fuera del cargador.

**NOTA:** Las unidades de batería no deberían almacenarse completamente descargadas. La unidad de batería deberá recargarse antes de ser usada.

### El sello RBRC®

El sello RBRC® (Rechargeable Battery Recycling Corporation) en las baterías (unidades de batería) de níquel cadmio, níquel e hidruro metálico o de iones de litio indica que el costo de reciclaje de estas baterías (o unidades de batería) al llegar al final de su vida de servicio ya ha sido pagado por CRAFTSMAN. En algunas áreas, es ilegal depositar baterías de níquel cadmio, níquel e hidruro metálico o de iones de litio gastadas en la basura o la corriente de residuos sólidos urbanos; el programa Call 2 Recycle® proporciona una alternativa ecológica.



Call 2 Recycle, Inc., en cooperación con CRAFTSMAN y otros usuarios de baterías, han establecido programas en los Estados Unidos y Canadá para facilitar la recolección de baterías de níquel cadmio, níquel e hidruro metálico o de iones de litio gastadas. Al llevar sus baterías de níquel cadmio, níquel e hidruro metálico y de iones de litio gastadas a un centro de servicio autorizado por CRAFTSMAN o al minorista local para que sean recicladas, ayuda a proteger el medio ambiente y a conservar recursos naturales. También puede comunicarse con el centro de reciclaje de su localidad para mayor información sobre dónde llevar sus baterías gastadas.

RBRC® es una marca comercial registrada de Call 2 Recycle, Inc.

### Transporte

**⚠️ ADVERTENCIA:** *Peligro de incendio. No guarde o transporte la batería de forma que los terminales expuestos de la misma puedan estar en contacto con objetos metálicos. Por ejemplo, no ponga la batería en delante, bolsillos, cajas de herramientas, estuches de productos, cajones, etc., junto con clavos, tornillos, y llaves, etc. sueltos. El transporte de baterías puede causar incendios si sus terminales inadvertidamente entran en contacto con materiales conductores como llaves, monedas, herramientas manuales y otros por el estilo. El Reglamento sobre Materiales Peligrosos (HMR) del Departamento de Transporte de EE.UU. prohíbe transportar baterías comercialmente o en aviones en el equipaje de mano A MENOS que estén debidamente*

*protegidas contra cortocircuitos. Por lo tanto, cuando transporte baterías individuales, asegúrese de que sus terminales estén protegidos y debidamente aislados de los materiales que pudieran entrar en contacto con ellos y provocar un cortocircuito.*

## Instrucciones Importantes de Seguridad Para Todos los Cargadores de Baterías

**⚠️ ADVERTENCIA:** *Lea todas las advertencias de seguridad, instrucciones y marcas de precaución para el paquete de la batería, el cargador y el producto. No seguir las advertencias y las instrucciones puede provocar una descarga eléctrica, un incendio y/o lesiones graves.*

- **NO intente cargar el paquete de batería con ningún cargador diferente a un cargador CRAFTSMAN.** El cargador y el paquete de batería CRAFTSMAN están diseñados específicamente para funcionar juntos.
- **Estos cargadores no fueron diseñados para ser utilizados para más que cargar las baterías recargables CRAFTSMAN.** Cualquier otro uso puede producir riesgo de incendios, descargas eléctricas o electrocución.
- **No exponga el cargador a la lluvia o a la nieve.**
- **Tire del enchufe y no del cable cuando desconecte el cargador.** De esta forma se reduce el riesgo de daño al enchufe y cable.
- **Asegúrese de que el cable no sea ubicado de manera que podría ser pisado, causar que alguien tropiece con él o ser expuesto a otro tipo de daños y desgastes.**
- **No use un alargador a menos que sea absolutamente necesario.** El uso de un alargador incorrecto podría producir riesgo de incendios, descargas eléctricas o electrocución.
- **Cuando opere un cargador al exterior, hágalo siempre en un lugar seco y use un alargador apropiado para uso al exterior.** El uso de un alargador apropiado para uso al exterior reduce el riesgo de descarga eléctrica.
- **Los hilos del alargador deben ser de un calibre apropiado (AWG o American Wire Gauge) para su seguridad.** Mientras menor sea el calibre del hilo, mayor la capacidad del cable. Es decir, un hilo calibre 16 tiene mayor capacidad que uno de 18. Un cable de un calibre insuficiente causará una caída en la tensión de la línea dando por resultado una pérdida de energía y sobrecalentamiento. Cuando se utilice más de un alargador para completar el largo total, asegúrese que los hilos de cada alargador tengan el calibre mínimo. La tabla siguiente muestra el tamaño correcto a utilizar, dependiendo de la longitud del cable y del amperaje nominal de la placa de identificación. Si tiene dudas sobre cuál calibre usar, use un calibre mayor. Cuanto menor sea el número del calibre, más resistente será el cable.

**Calibre mínimo de conjuntos de cables**

| Voltios          |           | Longitud total del cable en pies (metros) |            |                |            |
|------------------|-----------|---|------------|----------------|------------|
| 120 V            |           | 25 (7,6)                                  | 50 (15,2)  | 100 (30,5)     | 150 (45,7) |
| 240 V            |           | 50 (15,2)                                 | 100 (30,5) | 200 (61,0)     | 300 (91,4) |
| Amperaje nominal |           | AWG                                       |            |                |            |
| Más de           | No Más de |   |            |                |            |
| 0                | 6         | 18  | 16         | 16             | 14         |
| 6                | 10        | 18  | 16         | 14             | 12         |
| 10               | 12        | 16  | 16         | 14             | 12         |
| 12               | 16        | 14  | 12         | No recomendado |            |

- **No coloque ningún objeto encima del cargador ni coloque a este sobre una superficie blanda que pudiera bloquear las ranuras de ventilación y resultar en un calor interno excesivo.** Coloque el cargador en un lugar alejado de cualquier fuente de calor. El cargador se ventila a través de las ranuras que se encuentran en la parte superior e inferior de la caja protectora.
- **No opere el cargador si su cable o enchufe están dañados.**
- **No opere el cargador si ha recibido un golpe agudo, si se ha caído o si ha sido dañado de alguna otra forma.** Llévelo a un centro de servicio autorizado.
- **No desarme el cargador; llévelo a un centro de servicio autorizado cuando deba ser reparado.** Si es reensamblado incorrectamente, puede causar descargas eléctricas, electrocución o incendios.
- **Desenchufe el cargador antes de intentar limpiarlo. Esto reducirá el riesgo de descargas eléctricas.** El retirar el paquete de baterías no reducirá este riesgo.
- **NUNCA intente conectar 2 cargadores entre sí.**
- **El cargador está diseñado para operar con una corriente eléctrica estándar residencial de 120 V. No intente usarlo con ningún otro voltaje.** Esto no aplica al cargador vehicular.

**⚠ ADVERTENCIA:** Peligro de descarga eléctrica. No permita que ningún líquido se introduzca en el cargador. Puede producir descargas eléctricas.

**⚠ ADVERTENCIA:** Peligro de quemaduras. No sumerja la unidad de batería en líquido de ningún tipo ni permita que se introduzca ningún tipo de líquido a la unidad de batería. Nunca intente abrir la unidad de batería por ningún motivo. Si la caja plástica de la unidad de batería se triza o rompe, llévela a un centro de servicio para su reciclaje.

**⚠ ATENCIÓN:** Peligro de quemaduras. Para reducir el riesgo de lesiones, sólo cargue unidades de batería recargables marca . Otros tipos de batería podrían sobrecalentarse y reventar lo que podría resultar en lesiones corporales y daños a su propiedad.










**AVISO:** Bajo ciertas condiciones, cuando el cargador está enchufado a una toma de corriente, el cargador puede hacer cortocircuito si entra en contacto con algún material ajeno. Los materiales ajenos de naturaleza conductora, como el polvo de esmerilado, las placas de metal, la lana de acero, el papel de aluminio y otros, o cualquier acumulación de partículas metálicas deberían mantenerse alejados de las cavidades del cargador. Desenchufe siempre el cargador cuando no haya una unidad de batería en su cavidad. Desenchufe el cargador antes de intentar limpiarlo.

**Carga de la Batería**

**NOTA:** Para garantizar el máximo desempeño y la vida útil de los paquetes de baterías de iones de litio, cargue la batería por completo antes del primer uso.

1. Conecte el cargador en un tomacorriente apropiado antes de insertar el paquete de batería.
2. Conecte el cargador y el paquete de baterías, asegurándose que la batería esté completamente asentada. La luz (carga) parpadeará continuamente indicando que el proceso de carga ha comenzado.
3. La terminación de la carga se indicará por la luz que permanece encendida continuamente. El paquete de batería está completamente cargado y se puede retirar y usar en este momento o dejarse en el cargador.

**NOTA:** Para retirar el paquete de la batería, algunos cargadores requieren que se presione el botón de liberación del paquete de batería.

| Indicators  |   |
|---|---|
|    | Unidad en Proceso de Carga               |
|  | Unidad Cargada                       |
|  | Retraso por Unidad Caliente/ Fría*   |

Un cargador no cargará una batería defectuosa. El cargador que se niega a encenderse podría indicar un problema con el cargador.

**NOTA:** Si el cargador no quiere encender, lleve el cargador y el paquete de batería para que los prueben en un centro de servicio autorizado.

**Retraso por Batería Caliente/Frías**

Cuando el cargador detecta que una batería está demasiado caliente o demasiado fría, inicia automáticamente un Retraso por batería caliente/frías y suspende la carga hasta que la batería alcanza una temperatura adecuada. En ese momento, el cargador inicia automáticamente el modo de carga de la batería. Esta función garantiza la máxima duración de la batería.

Una batería fría puede cargar más lentamente que una batería caliente.

## Notas Importantes Sobre la Carga

- Se puede obtener una mayor duración y un mejor rendimiento si la unidad de batería se carga a una temperatura ambiente de 18°–24 °C (65–75 °F). NO cargue cuando el paquete de batería esté debajo de +4,5 °C (+40 °F), o arriba de +40 °C (+104 °F). Esto es importante y evitará causar daños graves a la batería.
- Puede que el cargador y la unidad de batería se calienten ligeramente durante el proceso de carga. Esto es normal y no representa ningún problema. Para facilitar el enfriamiento de la unidad de batería después del uso, evite colocar el cargador o la unidad de batería en un lugar cálido, como un cobertizo metálico o un remolque sin aislamiento térmico.
- Si la unidad de batería no se carga correctamente:
  - Verifique el funcionamiento de la toma enchufando una lámpara u otro aparato;
  - Revise que la toma de corriente no esté conectada a un interruptor de luz que corte la corriente cuando se corte la luz;
  - Mueva el cargador y la unidad de batería a un lugar donde la temperatura ambiental sea aproximadamente 18–24 °C (65–75 °F);
  - Si el problema de carga continúa, lleve la herramienta, unidad de batería y el cargador a su centro de servicio local.
- La unidad de batería debería ser recargada cuando no sea capaz de producir suficiente potencia para trabajos que eran fácilmente realizados antes. NO CONTINÚE usándola bajo estas circunstancias. Siga el procedimiento de carga. También puede cargar una unidad de batería que haya sido usada parcialmente cuando lo desee, sin dañarla.
- Los materiales ajenos conductores por naturaleza, tales como, pero sin limitarse a, el polvo del esmerilado, las virutas metálicas, la lana de acero, el papel de aluminio o cualquier acumulación de partículas metálicas deberían mantenerse alejados de las cavidades del cargador. Desenchufe siempre el cargador de la toma de corriente cuando no haya una unidad de batería en su cavidad. Desenchufe el cargador antes de intentar limpiarlo.
- No congele ni sumerja el cargador en agua o cualquier otro líquido.

## Instrucciones de Limpieza del Cargador

**⚠ ADVERTENCIA:** *Riesgo de descarga eléctrica. Desconecte el cargador del tomacorriente de CA antes de limpiarlo. Para limpiar la suciedad y grasa del exterior del cargador puede usarse un paño o cepillo suave no metálico. No use agua ni soluciones limpiadoras.*

## Montaje en la Pared

Estos cargadores están diseñados para montarse en la pared o colocarse en posición vertical sobre una mesa o superficie de trabajo. Si lo monta en la pared, coloque el

cargador al alcance de una toma de corriente eléctrica y alejado de las esquinas u otras obstrucciones que puedan impedir el flujo de aire. Utilice la parte de atrás del cargador como plantilla para la ubicación de los tornillos de montaje en la pared. Monte el cargador firmemente utilizando tornillos para muro seco (comprados por separado) de un mínimo de 25,4 mm (1") de largo, con una cabeza de un diámetro de 7-9 mm (0,28–0,35"), atornillados en madera hasta una profundidad óptima dejando el tornillo expuesto aproximadamente 5,5 mm (7/32"). Alinee las ranuras en la parte trasera del cargador con los tornillos expuestos e introdúzcalos totalmente en las ranuras.

## Versatrack

Los cargadores CRAFTSMAN pueden montarse en la pared con VersaTrack Trackwall de CRAFTSMAN. Los ganchos y accesorios se venden por separado. Consulte la hoja de accesorios VersaTrack Trackwall para obtener más información.

# GUARDE ESTAS INSTRUCCIONES PARA FUTURAS CONSULTAS

## COMPONENTES (FIG. A)

### Uso Debido

La aspiradora está diseñada para funcionar como unidad para húmedo/seco y no se requieren cambios de componentes al alternar entre la recogida de residuos húmedos a secos o viceversa. Esta aspiradora es solamente para uso doméstico.

Se recomienda que el depósito se vacíe y se elimine cualquier contenido seco antes de utilizarse para recoger residuos mojados a fin de facilitar la limpieza del depósito.

**NO** debe usarse en condiciones húmedas ni en presencia de líquidos o gases inflamables.

**NO** permita que los niños toquen la herramienta. Si el operador no tiene experiencia utilizando esta herramienta, deberá ser supervisado.

## MONTAJE Y AJUSTES

**⚠ ADVERTENCIA:** *Para disminuir el riesgo de lesiones corporales graves, apague la herramienta y extraiga la batería antes de realizar cualquier ajuste o de quitar o instalar accesorios. Una puesta en marcha accidental podría causar lesiones.*

## Instalación de la Manguera de la Aspiradora (Fig. A, B)

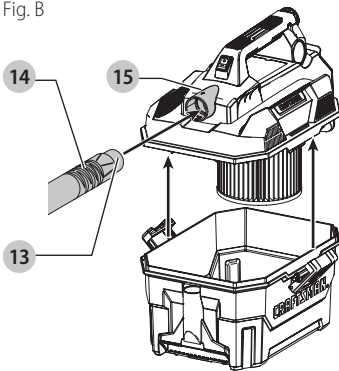
La manguera de la aspiradora **8** tendrá que instalarse a la aspiradora antes de utilizar el aparato.

- Coloque la aspiradora en una superficie plana y firme.

- Abra los seguros del depósito **5** y saque el cabezal de potencia del depósito. Retire la manguera **8** del depósito.
- Alinee el extremo de la manguera **13** con el orificio de entrada **6** en la parte delantera del aparato, asegurándose de que el bloqueo de alineamiento de la manguera **14** esté alineado con la flecha **15** en el orificio de entrada.
- Inserte el extremo de la manguera en el orificio de entrada y gire en sentido horario para bloquearlo en su sitio.
- Coloque el cabezal motorizado en el depósito y fije los seguros.

**NOTA:** El cabezal de potencia solo encajará en el depósito cuando el orificio de entrada en la parte delantera del cabezal de potencia y el accesorio de boca ancha **12** del depósito estén alineados.

Fig. B



## OPERACIÓN

**⚠ ADVERTENCIA:** Para disminuir el riesgo de lesiones corporales graves, apague la herramienta y extraiga la batería antes de realizar cualquier ajuste o de quitar o instalar accesorios. Una puesta en marcha accidental podría causar lesiones.

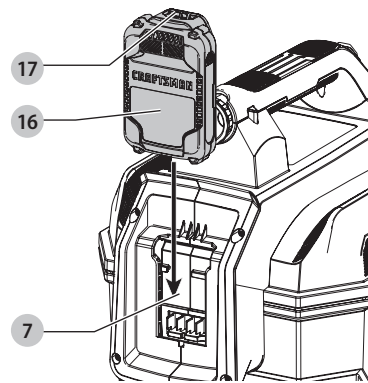
### Instalación y Extracción de la Batería (Fig. C)

**⚠ ATENCIÓN:** Asegúrese de que el puerto de la batería y los terminales estén secos y limpios antes de instalar la batería.

Para instalar la batería **16** en el cabezal de potencia, alinee la batería con los rieles dentro del puerto de la batería de la herramienta **7** hasta que esté firmemente insertada en la herramienta y asegúrese de que no se salga.

Para sacar la batería de la herramienta, apriete el botón de liberación **17** y saque la batería del mango de la herramienta jalando firmemente hacia afuera. Insértela en el cargador tal como se describe en la sección del cargador de este manual.

Fig. C

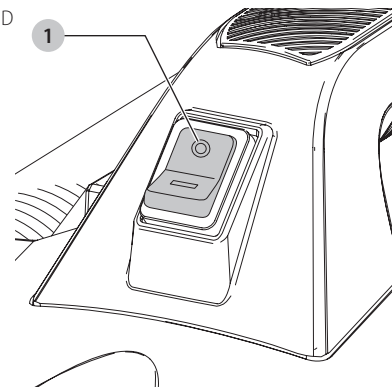


### Utilización de la Aspiradora

#### Interruptor de Encendido y Apagado (Fig. A, D)

- Ponga el accesorio adecuado en la manguera **8**.
- Inserte la batería.
- Para encender la aspiradora, presione el botón de I/O (encendido/apagado) **1**.

Fig. D



### Limpieza con la Aspiradora en Seco

#### Cómo Vaciar el Depósito (Fig. A, E)

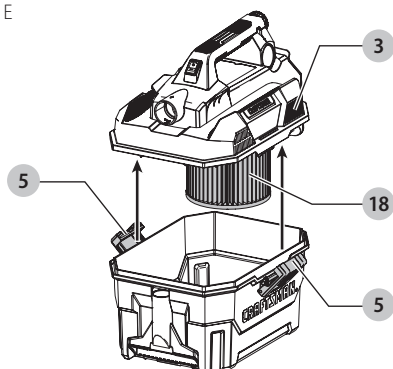
El sonido del motor cambia y la succión se reduce cuando el depósito está lleno.

- Apague la aspiradora. Saque la batería.
- Abra los seguros del depósito **5** y saque el cabezal de potencia del depósito **3**.
- Vacíe el contenido del depósito en un contenedor adecuado.
- Limpie o cambie el filtro **18**. Consulte la sección del **Filtro** de este manual.
- Inspeccione la aspiradora para determinar si hay daños ocasionados por objetos extraños. Contacte con el centro de servicio autorizado más cercano para cambiar piezas dañadas o que falten.

## ESPAÑOL

- Vuelva a colocar el cabezal de potencia **3** en el depósito **4** y asegure con el pestillo.

Fig. E



## Limpieza con la Aspiradora en Húmedo

**⚠️ ADVERTENCIA:** Para reducir el riesgo de descarga eléctrica, no exponer a la lluvia y almacenar bajo techo.

**⚠️ ATENCIÓN:** No incline la aspiradora cuando esté utilizándola. Si la aspiradora tiene líquido en el depósito, puede salirse del orificio de escape.

**⚠️ ATENCIÓN:** Asegúrese de que el puerto de la batería y los terminales estén secos y limpios antes de instalar la batería.

El filtro debe sacarse antes de utilizar la aspiradora para limpiar líquidos. Consulte la sección del **Filtro** de este manual.

## Cómo Vaciar el Depósito

El sonido del motor cambia y la succión se reduce cuando el depósito está lleno.

- Apague la aspiradora. Saque la batería.
- Abra los seguros del depósito **5** y saque el cabezal de potencia del depósito.
- Vacíe el contenido del depósito.
- Inspeccione la aspiradora para determinar si hay daños ocasionados por objetos extraños. Contacte con el centro de servicio autorizado más cercano para cambiar piezas dañadas o que falten.
- Seque el interior del cabezal de potencia y el depósito con un paño limpio.
- Vuelva a colocar el cabezal de potencia **3** en el depósito **4** y asegure firmemente.

## Filtro

### Mantenimiento del Filtro (Fig. F)

El filtro para húmedo/seco **18** incluido con esta aspiradora es un filtro de larga duración. Para ser eficaces al minimizar

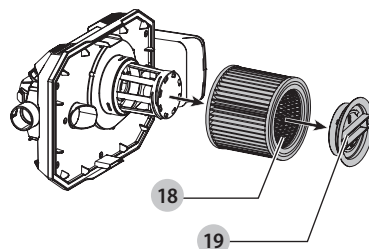
la recirculación del polvo, los filtros DEBEN ser instalados correctamente y estar en buen estado.

**NOTA:** Un filtro limpio es el factor más importante en el funcionamiento y la eficacia de cualquier aspiradora. Si el filtro se obstruye y no puede limpiarse, se daña o no funciona correctamente, reemplácelo solamente con un filtro de repuesto recomendado.

### Cómo Cambiar o Limpiar el Filtro (Fig. A, F)

- Apague la aspiradora. Saque la batería.
- Abra los seguros del depósito **5** y saque el cabezal de potencia del depósito como se muestra en la figura E. Desbloquee el bloqueo de filtro **19** girándolo en sentido antihorario. Jale el filtro **18** hacia afuera para sacarlo del cabezal de potencia.
- Limpie el filtro sacudiendo el exceso de polvo, con golpes suaves en un contenedor de residuos, luego enjuague con agua corriente. Según el estado en el que esté el filtro, no siempre debe lavarlo con agua. No utilice un cepillo para limpiar el filtro.
- Vuelva a instalar el filtro y fije el bloqueo de filtro en el cabezal de potencia. Gire el bloqueo de filtro en sentido horario y asegúrese de que el filtro esté bloqueado en su sitio.
- Coloque el cabezal motorizado en el depósito y fije los seguros.

Fig. F



## Soplador

La función de soplador puede utilizarse para eliminar residuos de detrás de espacios pequeños, para secar un piso húmedo, para soplar césped cortado u hojas de un camino exterior, patio, etc.

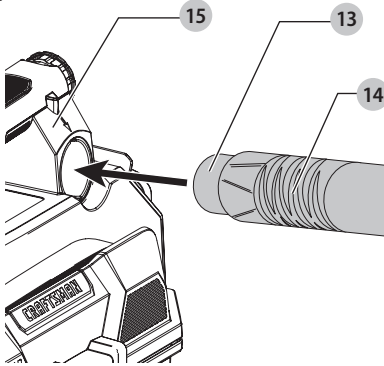
### Cómo Usar Como Soplador (Fig. A, G)

- Vacíe el depósito siguiendo las instrucciones en la sección **Limpieza con la aspiradora en Seco** de este manual.
- Gire la manguera de la aspiradora **8** en sentido antihorario para sacarla del orificio de entrada.
- Alinee el extremo de la manguera **13** con el orificio de escape lateral **10**, asegurándose que el bloqueo de alineamiento de la manguera **14** esté alineado con la flecha **15** por encima del orificio de escape lateral.



4. Inserte el extremo de la manguera en el orificio de escape lateral y gire en sentido horario para bloquearlo en su sitio.

Fig. G



## Almacenamiento de la Manguera y los Accesorios

Cuando no esté utilizándose la aspiradora, saque la batería. La manguera de la aspiradora puede enrollarse en el aparato, por debajo de la interfaz de la batería, y fijarse con el gancho de la manguera 9 ubicado también en la parte trasera de la aspiradora. Los dos accesorios (el accesorio para bordes y la boca ancha) pueden guardarse también en la aspiradora.

## MANTENIMIENTO

**⚠ ADVERTENCIA:** *Para reducir el riesgo de lesiones personales graves, apague la herramienta y retire el paquete de baterías antes de realizar ajustes o de retirar/instalar dispositivos o accesorios. Un arranque accidental podría causar lesiones.*

## Lubricación

No lubrique nunca el motor de la aspiradora. Los cojinetes del motor están sellados permanentemente. Esta aspiradora está diseñada para uso en interiores y para limpieza en seco o húmedo, pero no está diseñada para estar expuesta a la lluvia.

## Accesorios

**⚠ ADVERTENCIA:** *Debido a que no se han probado con este producto otros accesorios que no sean los que ofrece CRAFTSMAN, el uso de dichos accesorios con esta herramienta podría ser peligroso. Para reducir el riesgo de lesiones, con este producto deben usarse sólo los accesorios recomendados por CRAFTSMAN.*

Los accesorios que se recomiendan para utilizar con la herramienta están disponibles a un costo adicional en

su distribuidor local o en un centro de mantenimiento autorizado. Si necesita ayuda para localizar algún accesorio, póngase en contacto con Craftsman, llame al **1-888-331-4569**.

## Reparaciones

El Cargador y las unidades de batería no pueden ser reparados. El cargador y la unidad de batería no contienen piezas reparables.

**⚠ ADVERTENCIA:** *Para asegurar la SEGURIDAD y la CONFIABILIDAD del producto, las reparaciones, el mantenimiento y los ajustes (inclusive la inspección y el cambio de las escobillas, cuando proceda) deben ser realizados en un centro de mantenimiento en la fábrica CRAFTSMAN u en un centro de mantenimiento autorizado CRAFTSMAN. Utilice siempre piezas de repuesto idénticas.*

**Para reparación y servicio de sus herramientas eléctricas, favor de dirigirse al Centro de Servicio más cercano**

### CULIACAN, SIN

Bldv. Emiliano Zapata 5400-1 Poniente Col. (667) 717 89 99  
San Rafael

### GUADALAJARA, JAL

Av. La Paz #1779 - Col. Americana Sector (33) 3825 6978  
Juárez

### MEXICO, D.F.

Eje Central Lázaro Cárdenas No. 18 - Local (55) 5588 9377  
D, Col. Obrera

### MERIDA, YUC

Calle 63 #459-A - Col. Centro (999) 928 5038

### MONTERREY, N.L.

Av. Francisco I. Madero 831 Poniente - Col. (818) 375 23 13  
Centro

### PUEBLA, PUE

17 Norte #205 - Col. Centro (222) 246 3714

### QUERETARO, QRO

Av. San Roque 274 - Col. San Gregorio (442) 2 17 63 14

### SAN LUIS POTOSI, SLP

Av. Universidad 1525 - Col. San Luis (444) 814 2383

### TORREON, COAH

Bldv. Independencia, 96 Pte. - Col. Centro (871) 716 5265

### VERACRUZ, VER

Prolongación Díaz Mirón #4280 - Col. (229) 921 7016  
Remes

### VILLAHERMOSA, TAB

Constitución 516-A - Col. Centro (993) 312 5111

### PARA OTRAS LOCALIDADES:

**Si se encuentra en México, por favor llame al (55) 5326 7100**

**Si se encuentra en U.S., por favor llame al 1-888-331-4569**

## Póliza de Garantía

### IDENTIFICACIÓN DEL PRODUCTO:

Sello o firma del Distribuidor.

Nombre del producto: \_\_\_\_\_

Mod./Cat.: \_\_\_\_\_

Marca: \_\_\_\_\_

Núm. de serie: \_\_\_\_\_

(Datos para ser llenados por el distribuidor)

Fecha de compra y/o entrega del producto:

Nombre y domicilio del distribuidor donde se adquirió el producto:

Este producto está garantizado por un año a partir de la fecha de entrega, contra cualquier defecto en su funcionamiento, así como en materiales y mano de obra empleados para su fabricación. Nuestra garantía incluye la reparación o reposición del producto y/o componentes sin cargo alguno para el cliente, incluyendo mano de obra, así como los gastos de transportación razonablemente erogados derivados del cumplimiento de este certificado.

Para hacer efectiva esta garantía deberá presentar su herramienta y esta póliza sellada por el establecimiento comercial donde se adquirió el producto, de no contar con ésta, bastará la factura de compra.

### Excepciones

Esta garantía no será válida en los siguientes casos:

- Cuando el producto se hubiese utilizado en condiciones distintas a las normales;
- Cuando el producto no hubiese sido operado de acuerdo con el instructivo de uso que se acompaña;
- Cuando el producto hubiese sido alterado o reparado por personas distintas a las enlistadas al final de este certificado.

Anexo encontrará una relación de sucursales de servicio de fábrica, centros de servicio autorizados y franquiciados en la República Mexicana, donde podrá hacer efectiva su garantía y adquirir partes, refacciones y accesorios originales.

Solamente para propósito de México:

Importado por: Craftsman. Tool Co. S.A. de C.V.  
Avenida Antonio Dovali Jaime, # 70 Torre B Piso 9

Colonia La Fe, Santa Fé  
Código Postal : 01210  
Delegación Alvaro Obregón  
México D.F.

Tel. (52) 555-326-7100  
R.F.C.: BDE810626-1W7

## Limpieza

**⚠️ ADVERTENCIA:** *Sople la suciedad y el polvo de todos los conductos de ventilación con aire seco, al menos una vez por semana. Para reducir el riesgo de lesiones, utilice siempre protección para los ojos aprobada ANSI Z87.1 al realizar esta tarea.*

**⚠️ ADVERTENCIA:** *Nunca utilice solventes ni otros químicos abrasivos para limpiar las piezas no metálicas de la herramienta. Estos productos químicos pueden debilitar los materiales plásticos utilizados en estas piezas. Utilice un paño humedecido sólo con agua y jabón neutro. Nunca permita que penetre líquido dentro de la herramienta ni sumerja ninguna de las piezas en un líquido.*

## Registro en Línea

Gracias por su compra. Registre su producto ahora para:

- **SERVICIO EN GARANTÍA:** Si completa esta tarjeta, podrá obtener un servicio en garantía más eficiente, en caso de que exista un problema con su producto.
- **CONFIRMACIÓN DE PROPIEDAD:** En caso de una pérdida que cubra el seguro, como un incendio, una inundación o un robo, el registro de propiedad servirá como comprobante de compra.
- **PARA SU SEGURIDAD:** Si registra el producto, podremos comunicarnos con usted en el caso improbable que se deba enviar una notificación de seguridad conforme a la Federal Consumer Safety Act (Ley Federal de Seguridad de Productos para el Consumidor).

Registro en línea en [www.craftsman.com/registration](http://www.craftsman.com/registration).

## Garantía Limitada por Tres Años

CRAFTSMAN reparará o reemplazará, sin cargo, cualquier defecto debido a materiales o mano de obra defectuosos por tres años desde la fecha de compra (dos años para las baterías). Esta garantía no cubre falla de partes debido al desgaste normal o abuso de la herramienta. Para detalles adicionales de la cobertura de la garantía e información de reparación de garantía, visite [www.craftsman.com](http://www.craftsman.com) o llame al **1-888-331-4569**. Esta garantía no se aplica a accesorios o daño causado cuando otros hayan realizado o intentado reparaciones. ESTA GARANTÍA LIMITADA SE OTORGA EN LUGAR DE TODAS LAS DEMÁS, INCLUIDA LA GARANTÍA IMPLÍCITA DE COMERCIABILIDAD E IDONEIDAD PARA UN PROPÓSITO EN PARTICULAR, Y EXCLUYE TODOS LOS DAÑOS INCIDENTALES O EN CONSECUENCIA. Algunos estados no permiten limitaciones sobre la duración de una garantía implícita o la exclusión o limitación de daños incidentales o en consecuencia, por lo que estas limitaciones pueden no aplicarse en su caso. Esta garantía le da derechos legales específicos y puede tener otros derechos que varían en ciertos estados o provincias.

## 2 AÑOS DE SERVICIO GRATUITO PARA UNIDADES DE ALIMENTACIÓN CRAFTSMAN

CMCB201, CMCB2011

## 3 AÑOS DE SERVICIO GRATUITO PARA UNIDADES DE ALIMENTACIÓN CRAFTSMAN

CMCB202, CMCB204

**NOTA:** La garantía del producto quedará nula si la unidad de batería ha sido alterada de cualquier manera. CRAFTSMAN no es responsable de ninguna lesión causada por alteraciones y podría iniciar un procedimiento judicial por fraude de garantía hasta el máximo grado permisible por la ley.

### GARANTÍA DE REEMBOLSO DE SU DINERO POR 90 DÍAS

Si no está completamente satisfecho con el desempeño de su máquina herramienta o clavadora CRAFTSMAN, cualquiera sea el motivo, podrá devolverlo hasta 90 días de la fecha de compra con su recibo y obtener el reembolso completo de su dinero – sin necesidad de responder a ninguna pregunta.

**AMÉRICA LATINA:** Esta garantía no se aplica a los productos que se venden en América Latina. Para los productos que se venden en América Latina, debe consultar la información de la garantía específica del país que viene en el empaque, llamar a la compañía local o visitar el sitio Web a fin de obtener esa información.

### REEMPLAZO GRATUITO DE LAS ETIQUETAS DE

**ADVERTENCIAS:** Si sus etiquetas de advertencia se vuelven ilegibles o faltan, llame al **1-888-331-4569** para que se le reemplacen gratuitamente.

## GUÍA DE SOLUCIÓN DE PROBLEMAS

### ASEGÚRESE DE SEGUIR LAS REGLAS E INSTRUCCIONES DE SEGURIDAD

Para conocer la ubicación del centro de mantenimiento más cercano a fin de recibir ayuda con su producto, visite nuestro sitio Web [www.craftsman.com](http://www.craftsman.com) o llame a la línea de ayuda CRAFTSMAN al 1-888-331-4569.

| PROBLEMA                         | CAUSA POSIBLE   | SOLUCIÓN POSIBLE   |
|----------------------------------|---|--|
| La unidad no se pone en marcha.  | La batería no está instalada adecuadamente.   | Verifique la instalación de la batería.  |
|                                  | La batería no está cargada.   | Verifique los requisitos de carga de la batería.   |
|                                  | Los componentes internos están demasiado calientes.   | Deje que la herramienta se enfríe.   |
|                                  | Las escobillas están desgastadas.   | Lleve las escobillas a un centro de servicio autorizado para que sean reemplazadas.  |
| La batería no se carga.          | La batería no está insertada en el cargador.  | Inserte la batería en el cargador hasta que el LED se ilumine.   |
|                                  | El cargador no está enchufado.  | Enchufe el cargador a una toma de corriente que funcione bien. Consulte <b>Notas importantes sobre la carga</b> para obtener más detalles. |
|                                  | La temperatura ambiental es demasiado caliente o demasiado fría.  | Mueva el cargador y la batería a una temperatura ambiental superior a 4,5 °C (40 °F) o inferior a 40,5 °C (105 °F).                        |
| La unidad se apaga abruptamente. | La batería ha alcanzado su límite térmico máximo.   | Deje que se enfríe la batería.   |
|                                  | Sin carga. (Para maximizar la vida útil de la batería, la unidad está diseñada para apagarse abruptamente cuando se ha agotado la carga). | Póngala en el cargador y deje que se cargue.   |
| La unidad tiene menos succión.   | El depósito está lleno.   | Depósito vacío.  |
|                                  | El filtro está sucio u obstruido.   | Limpie o cambie el filtro.   |

## CRAFTSMAN BATTERY AND CHARGER SYSTEMS

### Chargers . Chargeurs . Cargadores de baterías

| Battery<br>Cat # | Output<br>Voltage | Charger |         |         |
|------------------|-------------------|---------|---------|---------|
|                  |                   | CMCB100 | CMCB102 | CMCB104 |
| CMCB201          | 20                | C       | C       | C       |
| CMCB2011         | 20                | C       | C       | C       |
| CMCB202          | 20                | C       | C       | C       |
| CMCB204          | 20                | C       | C       | C       |

"C" Indicates that the battery pack is compatible with that specific charger. Read the instruction manual for more specific information.

"C" indique que le bloc-piles est compatible avec ce chargeur. Lire le manuel d'utilisation pour obtenir des renseignements plus précis.

Una "C" indica que el paquete de baterías es compatible con ese determinado cargador. Lea el manual de instrucciones para obtener información más precisa.

\* *Maximum initial battery voltage (measured without a workload) is 20 volts. Nominal voltage is 18.*

\* *La tension initiale maximum du bloc-piles (mesurée à vide) est de 20 volts. La tension nominale est de 18.*

\* *El máximo voltaje inicial de la batería (medido sin carga de trabajo) es 20 voltios. El voltaje nominal es de 18.*