

# CRAFTSMAN®

INSTRUCTION MANUAL | GUIDE D'UTILISATION | MANUAL DE INSTRUCCIONES

**20V Max\* String Trimmer/Edger**  
**Taille-bordure/coupe-bordure 20 V max\***  
**Podadora/Bordeadora de Cuerda 20 V Máx\***

**CMCST900**



IF YOU HAVE QUESTIONS OR COMMENTS, CONTACT US.  
POUR TOUTE QUESTION OU TOUT COMMENTAIRE, NOUS CONTACTER.  
SI TIENE DUDAS O COMENTARIOS, CONTÁCTENOS.

**1-888-331-4569**

**WWW.CRAFTSMAN.COM**

---

English (***original instructions***)

1

---

Français (*traduction de la notice d'instructions originale*)

14

---

Español (*traducido de las instrucciones originales*)

28

---

## Definitions: Safety Alert Symbols and Words

This instruction manual uses the following safety alert symbols and words to alert you to hazardous situations and your risk of personal injury or property damage.

**!** **DANGER:** Indicates an imminently hazardous situation which, if not avoided, **will** result in **death or serious injury**.

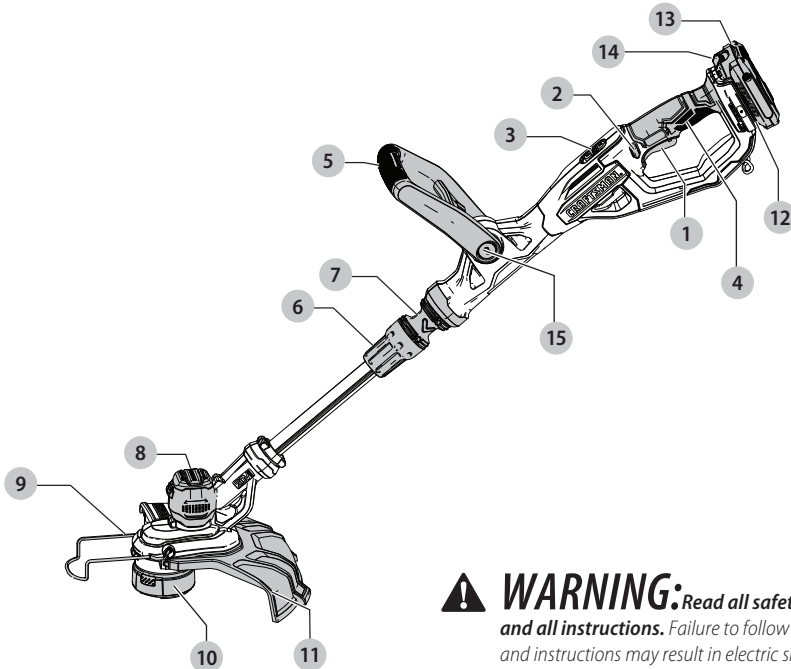
**!** **WARNING:** Indicates a potentially hazardous situation which, if not avoided, **could** result in **death or serious injury**.

**!** **CAUTION:** Indicates a potentially hazardous situation which, if not avoided, **may** result in **minor or moderate injury**.

**!** (Used without word) Indicates a safety related message.

**NOTICE:** Indicates a practice **not related to personal injury** which, if not avoided, **may** result in **property damage**.

Fig. A



### COMPONENTS

- |                        |                                        |
|------------------------|----------------------------------------|
| 1 On/Off trigger       | 9 Wire edge guide                      |
| 2 Lock-off button      | 10 Spool housing                       |
| 3 Speed control switch | 11 Guard                               |
| 4 Main handle          | 12 Battery housing                     |
| 5 Auxiliary handle     | 13 Battery pack                        |
| 6 Height-adjust collar | 14 Battery release button              |
| 7 Turn-to-edge collar  | 15 Auxiliary handle adjustment buttons |
| 8 Trimmer head         |                                        |

**!** **WARNING:** Read all safety warnings and all instructions. Failure to follow the warnings and instructions may result in electric shock, fire and/or serious injury.

**!** **WARNING:** Never modify the product or any part of it. Damage or personal injury could result.

**!** **WARNING:** To reduce the risk of injury, read the instruction manual.

If you have any questions or comments about this or any product, call CRAFTSMAN toll free at: 1-888-331-4569.

## 20V Max\* String Trimmer/Edger CMCST900

### IMPORTANT SAFETY INSTRUCTIONS

#### **WARNING:** To reduce risk of injury:

- Before any use, be sure everyone using this unit reads and understands all safety instructions and other information contained in this manual.
- Save these instructions and review frequently.

#### **WARNING:** When using electric gardening appliances, basic safety precautions should always be followed to reduce risk of fire, electric shock, and personal injury, including the following.

1. **Avoid Dangerous Environment** – Don't use appliances in damp or wet locations.
2. **Don't Use In Rain.**
3. **Keep Children Away** – All visitors should be kept at a distance from work area.
4. **Dress Properly** – Do not wear loose clothing or jewelry. They can be caught in moving parts. Use of rubber gloves and substantial footwear is recommended when working outdoors. Wear protective hair covering to contain long hair.
5. **Use Safety Glasses** – Always use face or dust mask if operation is dusty.
6. **Use Right Appliance** – Do not use appliance for any job except that for which it is intended.
7. **Don't grasp the exposed cutting blades or cutting edges when picking up or holding the appliance.**
8. **Don't Force Appliance** – It will do the job better and with less likelihood of a risk of injury at the rate for which it was designed.
9. **Don't Overreach** – Keep proper footing and balance at all times.
10. **Stay Alert** – Watch what you are doing. Use common sense. Do not operate appliance when you are tired.
11. **Disconnect Appliance** – Remove the battery when not in use, before servicing, when changing accessories such as blades, and the like.
12. **Store Idle Appliances Indoors** – When not in use, appliances should be stored indoors in dry, and high or locked-up place – out of reach of children.
13. **Maintain Appliance With Care** – Keep cutting edge sharp and clean for best performance and to reduce the risk of injury. Follow instructions for lubricating and changing accessories. Inspect appliance power source periodically, and if damaged, have it repaired by an authorized service facility. Keep handles dry, clean, and free from oil and grease.
14. **Check Damaged Parts** – Before further use of the appliance, a guard or other part that is damaged should be carefully checked to determine that it will operate

properly and perform its intended function. Check for alignment of moving parts, binding of moving parts, breakage of parts, mounting, and any other condition that may affect its operation. A guard or other part that is damaged should be properly repaired or replaced by an authorized service center unless indicated elsewhere in this manual.

### SAVE THESE INSTRUCTIONS

#### Additional Safety Warnings

#### **WARNING:** To reduce the risk of rebound (ricochet) injury, work going away from any nearby solid object such as wall, steps, large stone, tree, etc.

- **GUARD** – Do not use this appliance without guard attached.
- **DRESS PROPERLY** – Do not wear loose clothing or jewelry. They can be caught in moving parts. Gloves and substantial rubber soled footwear are recommended when working outdoors. Don't operate the appliance when barefoot or wearing open sandals. Wear heavy long pants to protect your legs. Wear protective hair covering to contain long hair.
- **KEEP FACE, HANDS AND FEET CLEAR OF ROTATING NYLON LINE AT ALL TIMES.** The rotating line performs a cutting function use care when trimming around screens and desirable plantings.
- **KEEP ALL BYSTANDERS AWAY** – at a safe distance from work area, especially children. MAKE SURE that other persons and pets are at least 100' (30 m) away.
- **WHEN BEING USED AS AN EDGER** – stones, pieces of metal and other objects can be thrown out at high speed by the line. The appliance and guard are designed to reduce the danger. To reduce the risk of rebound (ricochet) injury, work going away from any nearby solid object such as wall, steps, large stone, tree, etc.
- **USE GREAT CARE** when working close to solid objects and where necessary, do trimming by hand.
- **AVOID ACCIDENTALLY STARTING** – Don't carry with finger on trigger when battery is installed.
- **DAMAGE TO UNIT** – If you strike or become entangled with a foreign object, stop appliance immediately, remove battery, check for damage and have any damage repaired before further operation is attempted. Do not operate with a broken hub or spool.
- **DO NOT OPERATE** portable electric appliances in gaseous or explosive atmospheres. Motors in these appliances normally spark, and the sparks might ignite fumes.

- **STAY ALERT** – Do not operate this unit when you are tired, ill, or under the influence of alcohol, drugs, or medication.
- **DO NOT** immerse appliance in water or squirt it with a hose.
- **DO NOT** allow any liquid to get inside it. If appliance does get wet, allow to dry for a minimum of 48 hours.
- **DO NOT** clean with a pressure washer.
- **DO NOT** store the appliance on or adjacent to fertilizers or chemicals.
- **DO NOT** charge appliance in rain, or in wet locations.

### Additional Safety Information

**WARNING:** ALWAYS use safety glasses. Everyday eyeglasses are NOT safety glasses. Also use face or dust mask if operation is dusty. ALWAYS WEAR CERTIFIED SAFETY EQUIPMENT:

- ANSI Z87.1 eye protection (CAN/CSA Z94.3),
- ANSI S12.6 (S3.19) hearing protection,
- NIOSH/OSHA/MSHA respiratory protection.

**WARNING:** Some dust contains chemicals known to State of California to cause cancer, birth defects or other reproductive harm. Some examples of these chemicals are:

- compounds in fertilizers,
- compounds in insecticides, herbicides and pesticides,
- arsenic and chromium from chemically treated lumber.

To reduce your exposure to these chemicals, wear approved safety equipment such as dust masks that are specially designed to filter out microscopic particles.

- **Avoid prolonged contact with dust from power sanding, sawing, grinding, drilling, and other construction activities. Wear protective clothing and wash exposed areas with soap and water.** Allowing dust to get into your mouth, eyes, or lay on the skin may promote absorption of harmful chemicals.




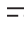










**WARNING:** Use of this tool can generate and/or disperse dust, which may cause serious and permanent respiratory or other injury. Always use NIOSH/OSHA approved respiratory protection appropriate for the dust exposure. Direct particles away from face and body.

**WARNING:** Always wear proper personal hearing protection that conforms to ANSI S12.6 (S3.19) during use. Under some conditions and duration of use, noise from this product may contribute to hearing loss.

**CAUTION:** When not in use, place tool on its side on a stable surface where it will not cause a tripping or falling hazard. Some tools with a large battery pack will stand upright but may be easily knocked over.

- **Air vents often cover moving parts and should be avoided.** Loose clothes, jewelry or long hair can be caught in moving parts.

The label on your tool may include the following symbols. The symbols and their definitions are as follows:

V .....	volts		or AC/DC....	alternating or direct current
Hz .....	hertz		.....	Class II Construction (double insulated)
min .....	minutes		.....	Class I Construction (grounded)
	or DC....			direct current
	.....			Class I Construction (grounded)
.../min.....	per minute	n <sub>0</sub> .....		no load speed
BPM .....	beats per minute	n .....		rated speed
IPM .....	impacts per minute			earthing terminal
RPM .....	revolutions per minute			safety alert symbol
sfpm .....	surface feet per minute			visible radiation
SPM .....	strokes per minute			avoid staring at light
OPM.....	oscillations per minute			wear respiratory protection
A .....	amperes			wear eye protection
W.....	watts			wear hearing protection
	or AC.....			read all documentation
		IPXX.....		IP symbol

### BATTERIES AND CHARGERS

The battery pack is not fully charged out of the carton. Before using the battery pack and charger, read the safety instructions below and then follow charging procedures outlined. When ordering replacement battery packs, be sure to include the catalog number and voltage.

#### READ ALL INSTRUCTIONS

### Important Safety Instructions for All Battery Packs

**WARNING:** Read all safety warnings, instructions, and cautionary markings for the battery pack, charger and product. Failure to follow the warnings and instructions may result in electric shock, fire and/or serious injury.

- **Do not charge or use the battery pack in explosive atmospheres, such as in the presence of flammable liquids, gases or dust.** Inserting or removing the battery pack from the charger may ignite the dust or fumes.
- **When battery pack is not in use, keep it away from other metal objects, like paper clips, coins, keys, nails, screws, or other small metal objects, that can**

## ENGLISH

**make a connection from one terminal to another.**

Shorting the battery terminals together may cause burns or a fire.

- **NEVER force the battery pack into the charger. DO NOT modify the battery pack in any way to fit into a non-compatible charger as battery pack may rupture causing serious personal injury.** Consult the chart at the end of this manual for compatibility of batteries and chargers.
- Charge the battery packs only in CRAFTSMAN chargers.
- **DO NOT splash or immerse in water or other liquids.**
- **Do not store or use the tool and battery pack in locations where the temperature may reach or exceed 104 °F (40 °C) (such as outside sheds or metal buildings in summer).** For best life store battery packs in a cool, dry location.  
**NOTE: Do not store the battery packs in a tool with the trigger switch locked on. Never tape the trigger switch in the ON position.**
- **Do not incinerate the battery pack even if it is severely damaged or is completely worn out.** The battery pack can explode in a fire. Toxic fumes and materials are created when lithium-ion battery packs are burned.
- **If battery contents come into contact with the skin, immediately wash area with mild soap and water.** If battery liquid gets into the eye, rinse water over the open eye for 15 minutes or until irritation ceases. If medical attention is needed, the battery electrolyte is composed of a mixture of liquid organic carbonates and lithium salts.
- **Contents of opened battery cells may cause respiratory irritation.** Provide fresh air. If symptoms persist, seek medical attention.

**⚠ WARNING:** Burn hazard. Battery liquid may be flammable if exposed to spark or flame.

**⚠ WARNING:** Fire hazard. Never attempt to open the battery pack for any reason. If the battery pack case is cracked or damaged, do not insert into the charger. Do not crush, drop or damage the battery pack. Do not use a battery pack or charger that has received a sharp blow, been dropped, run over or damaged in any way (e.g., pierced with a nail, hit with a hammer, stepped on). Damaged battery packs should be returned to the service center for recycling.

## Storage Recommendations

1. The best storage place is one that is cool and dry, away from direct sunlight and excess heat or cold.
2. For long storage, it is recommended to store a fully charged battery pack in a cool dry place out of the charger for optimal results.

**NOTE:** Battery packs should not be stored completely depleted of charge. The battery pack will need to be recharged before use.

## Battery Pack Cleaning Instructions

Dirt and grease may be removed from the exterior of the battery using a cloth or soft non-metallic brush. Do not use water or any cleaning solutions.

## The RBRC® Seal

The RBRC® (Rechargeable Battery Recycling Corporation) Seal on the nickel cadmium, nickel metal hydride or lithium-ion batteries (or battery packs) indicates that the costs to recycle these batteries (or battery packs) at the end of their useful life have already been paid by CRAFTSMAN. In some areas, it is illegal to place spent nickel cadmium, nickel metal hydride or lithium-ion batteries in the trash or municipal solid waste stream and the Call 2 Recycle® program provides an environmentally conscious alternative.

Call 2 Recycle, Inc., in cooperation with CRAFTSMAN and other battery users, has established the program in the United States and Canada to facilitate the collection of spent nickel cadmium, nickel metal hydride or lithium-ion batteries. Help protect our environment and conserve natural resources by returning the spent nickel cadmium, nickel metal hydride or lithium-ion batteries to an authorized service center or to your local retailer for recycling. You may also contact your local recycling center for information on where to drop off the spent battery.

RBRC® is a registered trademark of Call 2 Recycle, Inc.



## Transportation

**⚠ WARNING:** Fire hazard. Do not store or carry the battery pack so that metal objects can contact exposed battery terminals. For example, do not place the battery pack in aprons, pockets, tool boxes, product kit boxes, drawers, etc., with loose nails, screws, keys, etc. **Transporting batteries can possibly cause fires if the battery terminals inadvertently come in contact with conductive materials such as keys, coins, hand tools and the like.** The US Department of Transportation Hazardous Material Regulations (HMR) actually prohibit transporting batteries in commerce or on airplanes in carry-on baggage UNLESS they are properly protected from short circuits. So when transporting individual battery packs, make sure that the battery terminals are protected and well insulated from materials that could contact them and cause a short circuit. **NOTE:** LI-ion batteries should not be put in checked baggage.

## Important Safety Instructions for All Battery Chargers

**⚠️ WARNING:** Read all safety warnings, instructions, and cautionary markings for the battery pack, charger and product. Failure to follow the warnings and instructions may result in electric shock, fire and/or serious injury.

- **DO NOT attempt to charge the battery pack with any chargers other than a CRAFTSMAN charger.** CRAFTSMAN charger and battery pack are specifically designed to work together.
- **These chargers are not intended for any uses other than charging CRAFTSMAN rechargeable batteries.** Any other uses may result in risk of fire, electric shock or electrocution.
- **Do not expose the charger to rain or snow.**
- **Pull by the plug rather than the cord when disconnecting the charger.** This will reduce the risk of damage to the electric plug and cord.
- **Make sure that the cord is located so that it will not be stepped on, tripped over or otherwise subjected to damage or stress.**
- **Do not use an extension cord unless it is absolutely necessary.** Use of improper extension cord could result in risk of fire, electric shock or electrocution.
- **When operating a charger outdoors, always provide a dry location and use an extension cord suitable for outdoor use.** Use of a cord suitable for outdoor use reduces the risk of electric shock.
- **An extension cord must have adequate wire size (AWG or American Wire Gauge) for safety.** The smaller the gauge number of the wire, the greater the capacity of the cable, that is, 16 gauge has more capacity than 18 gauge. An undersized cord will cause a drop in line voltage resulting in loss of power and overheating. When using more than one extension to make up the total length, be sure each individual extension contains at least the minimum wire size. The following table shows the correct size to use depending on cord length and nameplate ampere rating. If in doubt, use the next heavier gauge. The lower the gauge number, the heavier the cord.

**Minimum Gauge for Cord Sets**

Volts		Total Length of Cord in Feet (meters)			
		25 (7.6)	50 (15.2)	100 (30.5)	150 (45.7)
120 V		25 (7.6)	50 (15.2)	100 (30.5)	150 (45.7)
240 V		50 (15.2)	100 (30.5)	200 (61.0)	300 (91.4)
Ampere Rating More Than	Not More Than	American Wire Gauge			
		0	6	10	12
0	6	18	16	16	14
6	10	18	16	14	12
10	12	16	16	14	12
12	16	14	12	Not Recommended	

- **Do not place any object on top of the charger or place the charger on a soft surface that might block**

**the ventilation slots and result in excessive internal heat.** Place the charger in a position away from any heat source. The charger is ventilated through slots in the top and the bottom of the housing.

- **Do not operate the charger with a damaged cord or plug—have them replaced immediately.**
- **Do not operate the charger if it has received a sharp blow, been dropped or otherwise damaged in any way.** Take it to an authorized service center.
- **Do not disassemble the charger; take it to an authorized service center when service or repair is required.** Incorrect reassembly may result in a risk of electric shock, electrocution or fire.
- **Disconnect the charger from the outlet before attempting any cleaning. This will reduce the risk of electric shock.** Removing the battery pack will not reduce this risk.
- **NEVER attempt to connect 2 chargers together.**
- **The charger is designed to operate on standard 120V household electrical power. Do not attempt to use it on any other voltage.** This does not apply to the vehicular charger.

**⚠️ WARNING:** Shock hazard. Do not allow any liquid to get inside the charger. Electric shock may result.

**⚠️ WARNING:** Burn hazard. Do not submerge the battery pack in any liquid or allow any liquid to enter the battery pack. Never attempt to open the battery pack for any reason. If the plastic housing of the battery pack breaks or cracks, return to a service center for recycling.

**⚠️ CAUTION:** Burn hazard. To reduce the risk of injury, charge only CRAFTSMAN rechargeable battery packs. Other types of batteries may overheat and burst resulting in personal injury and property damage.

**⚠️ CAUTION:** Under certain conditions, with the charger plugged into the power supply, the charger can be shorted by foreign material. Foreign materials of a conductive nature, such as, but not limited to, grinding dust, metal chips, steel wool, aluminum foil or any buildup of metallic particles should be kept away from the charger cavities. Always unplug the charger from the power supply when there is no battery pack in the cavity. Unplug the charger before attempting to clean.

### Charging a Battery

**NOTE:** To ensure maximum performance and life of lithium-ion battery packs, charge the battery pack fully before first use.

## ENGLISH

1. Plug the charger into an appropriate outlet before inserting battery pack.
2. Connect the charger and battery pack, making sure the battery is fully seated. The (charging) light will blink continuously indicating that the charging process has started.
3. The completion of charge will be indicated by the light remaining ON continuously. The battery pack is fully charged and may be removed and used at this time or left in the charger.

**NOTE:** To remove the battery pack, some chargers require the battery pack release button to be pressed.

### Indicators

 Charging	— — — —	
 Fully Charged	————	
 Hot/Cold Pack Delay	— — —   —	

A charger will not charge a faulty battery pack. The charger refusing to light could indicate a problem with the charger.

**NOTE:** If the charger refuses to light, take the charger and battery pack to be tested at an authorized service center.

### Hot/Cold Pack Delay

When the charger detects a battery pack that is too hot or too cold, it automatically starts a Hot/Cold Pack Delay, suspending charging until the battery pack has reached an appropriate temperature. The charger then automatically switches to the pack charging mode. This feature ensures maximum battery pack life.

A cold battery pack may charge at a slower rate than a warm battery pack.

### Important Charging Notes

1. Longest life and best performance can be obtained if the battery pack is charged when the air temperature is between 65 °F – 75 °F (18 °C – 24 °C). DO NOT charge when the battery pack is below +40 °F (+4.5 °C), or above +104 °F (+40 °C). This is important and will prevent serious damage to the battery pack.
2. The charger and battery pack may become warm to the touch while charging. This is a normal condition, and does not indicate a problem. To facilitate the cooling of the battery pack after use, avoid placing the charger or battery pack in a warm environment such as in a metal shed or an uninsulated trailer.
3. If the battery pack does not charge properly:
  - a. Check operation of receptacle by plugging in a lamp or other appliance;
  - b. Check to see if receptacle is connected to a light switch which turns power off when you turn out the lights;
  - c. Move the charger and battery pack to a location where the surrounding air temperature is approximately 65 °F – 75 °F (18 °C – 24 °C);
  - d. If charging problems persist, take the tool, battery pack and charger to your local service center.

4. The battery pack should be recharged when it fails to produce sufficient power on jobs which were easily done previously. DO NOT CONTINUE to use under these conditions. Follow the charging procedure. You may also charge a partially used pack whenever you desire with no adverse effect on the battery pack.
5. Foreign materials of a conductive nature such as, but not limited to, grinding dust, metal chips, steel wool, aluminum foil, or any buildup of metallic particles should be kept away from charger cavities. Always unplug the charger from the power supply when there is no battery pack in the cavity. Unplug the charger before attempting to clean.
6. Do not freeze or immerse the charger in water or any other liquid.

## Charger Cleaning Instructions

**⚠ WARNING:** *Shock hazard. Disconnect the charger from the AC outlet before cleaning. Dirt and grease may be removed from the exterior of the charger using a cloth or soft non-metallic brush. Do not use water or any cleaning solutions.*

## Wall Mounting

These chargers are designed to be wall mountable or to sit upright on a table or work surface. If wall mounting, locate the charger within reach of an electrical outlet, and away from a corner or other obstructions which may impede air flow. Use the back of the charger as a template for the location of the mounting screws on the wall. Mount the charger securely using drywall screws (purchased separately) at least 1" (25.4 mm) long, with a screw head diameter of 0.28–0.35" (7–9 mm), screwed into wood to an optimal depth leaving approximately 7/32" (5.5 mm) of the screw exposed. Align the slots on the back of the charger with the exposed screws and fully engage them in the slots.

## Versatrack™

CRAFTSMAN chargers can be mounted to the wall using CRAFTSMAN Versatrack™ Trackwall. Hooks and accessories are sold separately. Please refer to the Versatrack™ Trackwall accessory sheet for further information.

# SAVE THESE INSTRUCTIONS FOR FUTURE USE

## COMPONENTS (FIG. A)

### Intended Use

This string trimmer is designed for household trimming and edging applications.

**DO NOT** use under wet conditions or in presence of flammable liquids or gases.



**DO NOT** let children come into contact with the tool. Supervision is required when inexperienced operators use this tool.

## ASSEMBLY AND ADJUSTMENTS

**⚠ WARNING:** To reduce the risk of serious personal injury, turn unit off and remove the battery pack before making any adjustments or removing/installing attachments or accessories, when replacing line, or prior to cleaning. An accidental start-up can cause injury.

### Attaching Guard (Fig. B, C)

**⚠ WARNING:** Never remove the guard. Damage or personal injury could result.

**⚠ WARNING:** NEVER OPERATE APPLIANCE WITHOUT GUARD FIRMLY IN PLACE. The guard must always be properly attached on the appliance to protect the user.

1. Remove the guard screw **16**.
2. Slide the guard **11** fully onto the trimmer head **8**. Make sure the tabs **17** on the guard engage the ribs on the trimmer head.
3. Continue to slide the guard on until it “snaps” into place. The locking tab should snap into the housing slot.
4. Using a crosshead screwdriver, insert the guard screw and tighten securely.
5. Once the guard is installed, remove the covering from the line cut-off blade, located on the edge of the guard.

Fig. B

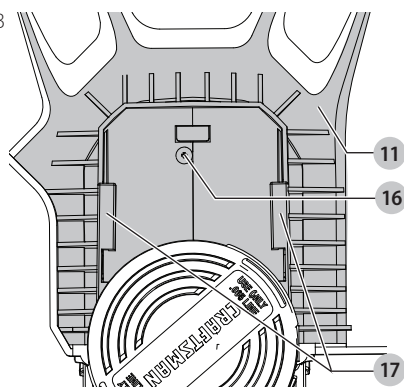
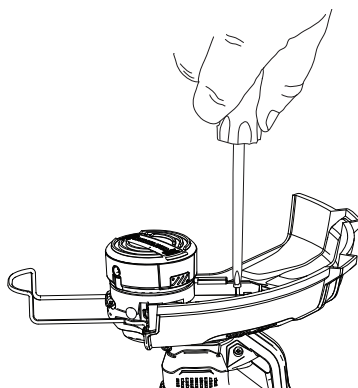


Fig. C



### Attaching the Auxiliary Handle (Fig. D)

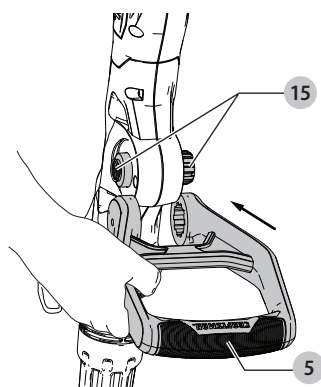
For some models the auxiliary handle may need to be attached. If the model needs the auxiliary handle attached, please refer to these instructions.

1. To attach the auxiliary handle **5**, press in on the auxiliary handle adjustment buttons **15** on both sides of the upper housing as shown in Figure D.
2. Position the auxiliary handle as shown in Figure D. Partially push the auxiliary handle on so it will hold the buttons in when you release them with your hand.
3. Push the auxiliary handle completely onto the housing and position it slightly until it “snaps” into place.

**NOTE:** To adjust the auxiliary handle up or down, press in on the buttons and raise or lower the handle.

**NOTE:** The handle should be adjusted so that your front arm is straight when the trimmer is in the working position.

Fig. D



### Height Adjustment (Fig. E)

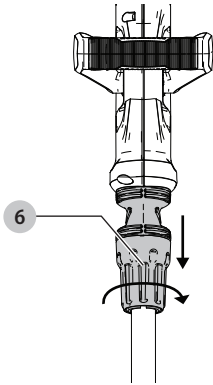
**⚠ CAUTION:** Adjust the length of the trimmer to obtain proper working positions.

1. The overall height of the trimmer can be adjusted by loosening the height-adjust collar **6** by rotating it in the direction of the arrow shown in Figure E.

## ENGLISH

2. Move the upper housing straight up or down. When the desired height is achieved, tighten the collar by rotating it opposite of the direction shown in Figure E.

Fig. E



### Releasing the Cutting Line (Fig. A)

In transit, the cutting line is taped to the spool housing 10.

- Remove the tape holding the cutting line to the spool housing.

## OPERATION

**WARNING:** To reduce the risk of serious personal injury, turn unit off and remove the battery pack before making any adjustments or removing/installing attachments or accessories, when replacing line, or prior to cleaning. An accidental start-up can cause injury.

**WARNING:** Always use proper eye protection that conforms to ANSI Z87.1 (CAN/CSA Z94.3) while operating this appliance.

**WARNING:** Remove the battery before making any assembly, adjustments, or changing accessories. Such preventive safety measures reduce the risk of starting the trimmer accidentally.

**CAUTION:** Before you begin trimming, only use the appropriate type of cutting line.

**CAUTION:** Inspect area to be trimmed and remove any wire, cord, or string-like objects which could become entangled in the rotating line or spool. Be particularly careful to avoid any wire which might be bent outwardly into the path of the appliance, such as barbs at the base of a chain link fence.

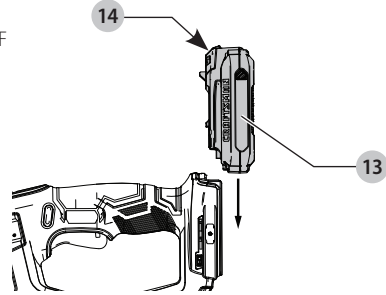
### Installing and Removing the Battery Pack (Fig. F)

**NOTE:** For best results, make sure your battery pack is fully charged.

To install the battery pack 13 into the tool handle, align the battery pack with the rails inside the tool's handle and slide it into the handle until the battery pack is firmly seated in the tool and ensure that it does not disengage.

To remove the battery pack from the tool, press the release button 14 and firmly pull the battery pack out of the tool handle. Insert it into the charger as described in the charger section of this manual.

Fig. F



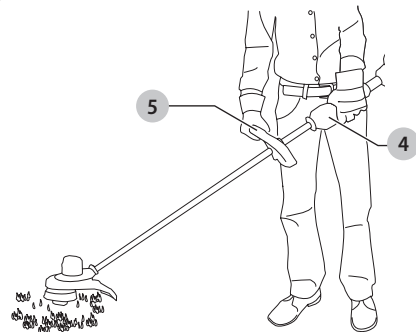
### Proper Hand Position (Fig. G)

**WARNING:** To reduce the risk of serious personal injury, ALWAYS use proper hand position as shown.

**WARNING:** To reduce the risk of serious personal injury, ALWAYS hold securely in anticipation of a sudden reaction.

Proper hand position requires one hand on the main handle 4 and one hand on the auxiliary handle 5.

Fig. G



### Switching Trimmer On and Off (Fig. A)

**WARNING:** Never attempt to lock the trigger in the on position.

To turn the appliance on, squeeze the lock-off button **2** and then the On/Off trigger **1**. Once the unit is running, you may release the lock off button. To turn the appliance off, release the On/Off trigger.

### Speed Control Switch (Fig. A)

This string trimmer gives you the choice to operate at a more efficient speed to extend the runtime for larger jobs, or accelerate the trimmer speed for high- performance cutting.

**To extend runtime**, pull the speed control switch back toward the battery housing **12** into the "LO" position. This mode is best for larger projects that require more time to complete.

**To accelerate the trimmer**, push the speed control switch **3** forward toward the auxiliary handle **5** into the "HI" position. This mode is best to cut through heavier growth and for applications that need higher RPM.

**NOTE:** When in "HI" mode, runtime will be decreased as compared to when trimmer is in "LO" mode.

### Trimming (Fig. H, I)

With the trimmer on, angle it and swing side to side as shown in Figure H.

Maintain a cutting angle of 5° to 10° as shown in Figure I. Do not exceed 10°. Cut with the tip of the line.

Maintain a minimum distance of 24" (610 mm) between the guard and your feet as shown in Figure I.

Fig. H

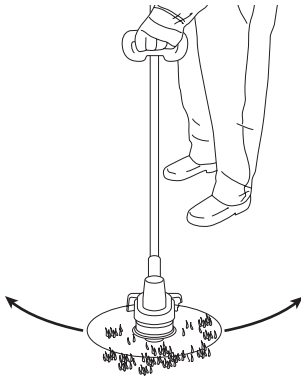
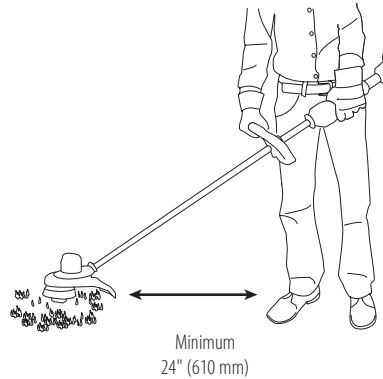


Fig. I



### Convert to Edging Mode (Fig. J)

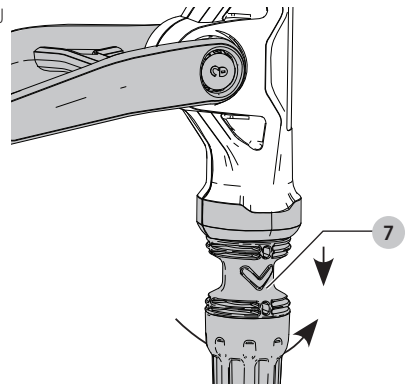
**CAUTION:** *The wire edge guide should only be used when in the edging mode.*

The trimmer can be used in trimming mode or edging mode to trim overhanging grass along lawn edges and flower beds. To convert the trimmer to edging mode:

1. Remove the battery from the trimmer.
2. Grasp the turn-to-edge collar **7** and pull down as shown in Figure J.
3. Rotate the turn-to-edge collar 180° counterclockwise as shown in Figure J, until the handle snaps back into the upper half of the trimmer.
4. To return to trimming position, pull the turn-to-edge collar up and rotate the head clockwise back to its original position.

**NOTE:** You will experience faster than normal cutting line wear if the trimmer line is positioned directly over the sidewalk or abrasive surface.

Fig. J



### Edging Mode Operation (Fig. A, H)

**WARNING:** *When being used as an edger, stones, pieces of metal and other objects can be*

## ENGLISH

*thrown out at high speed by the line. The trimmer and guard are designed to reduce the danger.*

However, MAKE SURE that other persons and pets are at least 100' (30 m) away. Optimum cutting results are achieved on edges deeper than 2" (50 mm).

- Do not use this trimmer to create trenches.
- Using the wire edge guide **9**, guide the trimmer.
- Position the wire edge guide on the edge of the sidewalk or abrasive surface so the cutting line is over the grass or dirt area to be edged.
- To make a closer cut, slightly tilt the trimmer.

### Helpful Cutting Tips (Fig. K)

- Use the tip of the string to do the cutting; do not force string head into uncut grass. Use edge guide along such things as fences, houses and flower beds for best practices.
- Wire and picket fences cause extra string wear, even breakage. Stone and brick walls, curbs, and wood may wear string rapidly.
- Do not allow spool cap **18** to drag on ground or other surfaces.
- In long growth, cut from the top down and do not exceed 12" (305 mm) high.
- Keep trimmer tilted toward the area being cut; this is the best cutting area.
- The trimmer cuts when passing the unit from the left to right. This will avoid throwing debris at the operator.
- Avoid trees and shrubs. Tree bark, wood moldings, siding, and fence posts can easily be damaged by the string.

### Cutting Line/Line Feeding

Your trimmer uses .065" (1.65 mm) diameter, ROUND nylon line. During use, the tips of the nylon lines will become frayed and worn and the special self feeding spool will automatically feed and trim a fresh length of line. Cutting line will wear faster and require more feeding if the cutting or edging is done along sidewalks or other abrasive surfaces or heavier weeds are being cut. The advanced automatic line feeding mechanism senses when more cutting line is needed and feeds and trims the correct length of line whenever it's required. Do not bump unit on ground in attempt to feed line or for any other purposes.

### Clearing Jams and Tangled Line (Fig. K)

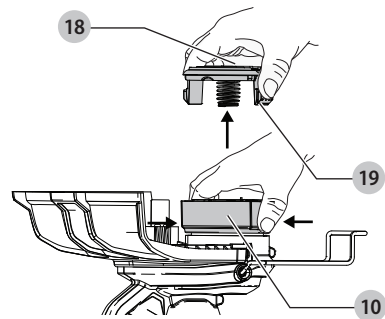
**WARNING:** Remove the battery from the trimmer before making any assembly, adjustments or changing accessories. Such preventive safety measures reduce the risk of starting the appliance accidentally.

From time to time, especially when cutting thick or stalky weeds, the line feeding hub may become clogged with sap or other material and the line will become jammed as a result. To clear the jam, follow the steps listed below.

**CAUTION:** To avoid appliance damage, if the cutting line protrudes beyond the trimming blade, cut it off so that it just reaches the blade.

1. Remove the battery from the trimmer.
2. Press the release tabs **19** on the spool cap **18**, and remove the spool cap from the spool housing **10** (Figure K).
3. Pull the nylon line spool out and clear any broken line or cutting debris from the spool area.
4. Place spool and line into spool cap with line "parked" in slots provided.
5. Insert the line end through the appropriate hole in the spool housing. Pull slack line through until it pulls out of the holding slots.
6. Press the spool down GENTLY and rotate it until you feel it drop into place and then push to snap into place. (When in place, the spool will turn a few degrees left and right freely).
7. Take care to keep the line from becoming trapped under the spool.
8. Fit the spool onto the appliance as described in **Replacing Spool Assembly**.

Fig. K



### Replacing Spool Assembly (Fig. K, L)

**WARNING:** The use of any accessory not recommended by CRAFTSMAN for use with this appliance could be hazardous.

**WARNING:** Do not use any blades, or any accessory or attachment other than those recommended by CRAFTSMAN on this trimmer. Serious injury or product damage may result.

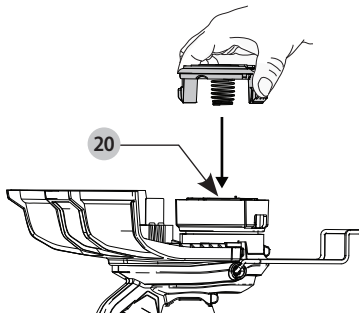
Reload nylon line (either bulk or prewound replacement spool) as shown in this manual.

USE ONLY .065" (1.65 mm) DIAMETER ROUND NYLON MONOFILAMENT LINE. Do not use serrated or heavier gauge line, as they will overload the motor and cause overheating. This line is available at your local dealer or authorized service center.

1. Remove battery from appliance.

- Press the release tabs **19** on the spool cap **18**, and remove the spool cap from the spool housing **10** (Figure K).
- For best results, replace spool with CRAFTSMAN Model # CMZST065.
- If lever in base of housing becomes dislodged, replace in correct position before inserting new spool into housing.
- Remove any dirt and grass from the spool cap and spool housing.
- Unfasten the end of the cutting line and guide the line into the eyelet.
- Take the new spool and push it onto the boss **20** in the housing. Rotate the spool slightly until it is seated.
- The line should protrude approximately 5-3/8" (136 mm) from the housing.
- Align the release tabs on the spool cap with the slots in the spool housing.
- Snap the spool cap back on by depressing release tabs and pressing into spool housing.
- Push the cap onto the housing until it snaps securely into place.

Fig. L



- Remove battery from appliance.
- Remove the empty spool from the appliance as described in **Replacing Spool Assembly**.
- Remove any remaining cutting line from the spool.
- Make a fold at the end of the cutting line at about 3/4" (19 mm) **21**. Feed the cutting line into one of the line anchoring slots **22**.
- Insert the 3/4" (19 mm) end of the bulk line into the hole **23** in the spool adjacent to the slot. Make sure the line is pulled tight against the spool.
- Wind the cutting line onto the spool in the direction of the arrow on the spool. Make sure to wind the line on neatly and in layers. Do not crisscross.
- When the wound cutting line reaches the recesses **24** cut the line.
- Fit the spool onto the appliance as described in **Replacing Spool Assembly**.

Fig. M

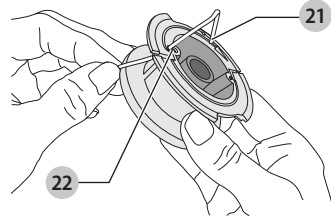
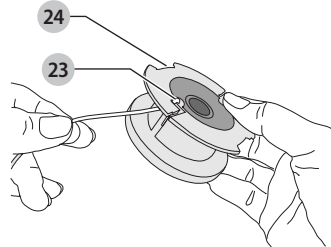


Fig. N



## MAINTENANCE

**WARNING:** To reduce the risk of serious personal injury, turn unit off and remove the battery pack before making any adjustments or removing/installing attachments or accessories, when replacing line, or prior to cleaning. An accidental start-up can cause injury.

## Accessories

**WARNING:** Since accessories, other than those offered by CRAFTSMAN, have not been tested with this product, use of such accessories with this tool could be hazardous. To reduce the risk of injury, only CRAFTSMAN recommended accessories should be used with this product.

Recommended accessories for use with your tool are available at extra cost from your local dealer or authorized service center. If you need assistance in locating any accessory, please contact CRAFTSMAN, call **1-888-331-4569**.

**NOTE:** Make sure that cover is fully positioned, listen for two audible clicks to ensure both release tabs are correctly located. Power the appliance on. In a few seconds or less you'll hear the nylon line being cut automatically to the proper length.

**NOTE:** Other replacement parts (guards, spool caps, etc.) are available through authorized service centers. To find your local service location call: 1-888-331-4569 or visit [www.craftsman.com](http://www.craftsman.com).

## Rewinding Spool from Bulk Line (use only .065" (1.65 mm) ROUND diameter line) (Fig. A, M, N)

Bulk line is also available for purchase from your local retailer. **NOTE:** Hand wound spools from bulk line are likely to become tangled more frequently than CRAFTSMAN factory wound spools. For best results, factory wound spools are recommended.

**Versatrack™ (Fig. O)**

**⚠ WARNING:** To reduce the risk of serious personal injury, turn unit off and remove the battery pack before making any adjustments or removing/installing attachments or accessories. An accidental start-up can cause injury.

**⚠ WARNING:** To reduce the risk of serious personal injury, do not use a damaged Versatrack™ integral hang hook or Versatrack™ Trackwall. A damaged Versatrack™ integral hang hook or Versatrack™ Trackwall will not support the weight of the tool.

**⚠ WARNING:** To reduce the risk of serious personal injury, DO NOT suspend tool overhead or suspend objects from the integral hang hook. ONLY suspend tool on the Versatrack™ Trackwall using the integral hang hook.

**⚠ WARNING:** The Versatrack™ integral hang hook is intended to mount the tool onto a Versatrack™ Trackwall rail. Do not use the integral hang hook to mount the tool to any other surface.

**⚠ WARNING:** The Versatrack™ integral hang hook is not a belt hook.

**⚠ WARNING:** When hanging objects on a Versatrack™ Trackwall rail, adequately space the tools in order to not exceed 75 lb (35 kg) per linear foot.

**⚠ WARNING:** Before using the tool make sure that the Versatrack™ integral hang hook is returned to its original position

**IMPORTANT:** Versatrack™ accessories mount compatible tools securely to the Versatrack™ Trackwall system.

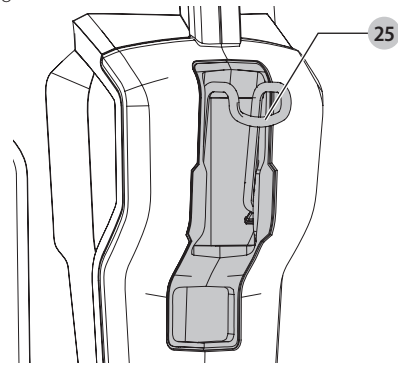
1. Turn tool off, remove the battery pack and remove accessories.

**⚠ CAUTION:** Any product with exposed cutting teeth must have them covered securely if it is to be on the Versatrack™ Trackwall.

2. Mount the integral hang hook **25** to the Versatrack™ Trackwall.

**NOTE:** Versatrack™ accessories for use with your tool are available at extra cost from your local dealer or authorized service center. If you need assistance in locating any accessory, please contact CRAFTSMAN, call **1-888-331-4569**.

Fig. O

**Cleaning**

**⚠ WARNING:** Blow dirt and dust out of all air vents with clean, dry air at least once a week. To minimize the risk of eye injury, always wear ANSI Z87.1 approved eye protection when performing this procedure.

**⚠ WARNING:** Never use solvents or other harsh chemicals for cleaning the non-metallic parts of the tool. These chemicals may weaken the plastic materials used in these parts. Use a cloth dampened only with water and mild soap. Never let any liquid get inside the tool; never immerse any part of the tool into a liquid.

**Repairs**

The charger and battery pack are not serviceable. There are no serviceable parts inside the charger or battery pack.

**⚠ WARNING:** To assure product SAFETY and RELIABILITY, repairs, maintenance and adjustment (including brush inspection and replacement, when applicable) should be performed by a CRAFTSMAN factory service center or a CRAFTSMAN authorized service center. Always use identical replacement parts.

**Register Online**

Thank you for your purchase. Register your product now for:

- **WARRANTY SERVICE:** Registering your product will help you obtain more efficient warranty service in case there is a problem with your product.
- **CONFIRMATION OF OWNERSHIP:** In case of an insurance loss, such as fire, flood or theft, your registration of ownership will serve as your proof of purchase.

- **FOR YOUR SAFETY:** Registering your product will allow us to contact you in the unlikely event a safety notification is required under the Federal Consumer Safety Act.

Register online at [www.craftsman.com/registration](http://www.craftsman.com/registration)

## Three Year Limited Warranty

CRAFTSMAN will repair or replace, without charge, any defects due to faulty materials or workmanship for three years from the date of purchase (two years for batteries). This warranty does not cover part failure due to normal wear or tool abuse. For further detail of warranty coverage and warranty repair information, visit [www.craftsman.com](http://www.craftsman.com) or call **1-888-331-4569**. This warranty does not apply to accessories or damage caused where repairs have been made or attempted by others. THIS LIMITED WARRANTY IS GIVEN IN LIEU OF ALL OTHERS, INCLUDING THE IMPLIED WARRANTY OF MERCHANTABILITY AND FITNESS FOR A PARTICULAR PURPOSE, AND EXCLUDES ALL INCIDENTAL OR CONSEQUENTIAL DAMAGES. Some states do not allow limitations on how long an implied warranty lasts or the exclusion or limitation of incidental or consequential damages, so these limitations may not apply to you. This warranty gives you specific legal rights and you may have other rights which vary in certain states or provinces.

### 2 YEARS FREE SERVICE ON CRAFTSMAN BATTERY PACKS

CMCB201, CMCB2011

### 3 YEARS FREE SERVICE ON CRAFTSMAN BATTERY PACKS

CMCB202, CMCB204

**NOTE:** Battery warranty voided if the battery pack is tampered with in any way. CRAFTSMAN is not responsible for any injury caused by tampering and may prosecute warranty fraud to the fullest extent permitted by law.

### 90 DAY MONEY BACK GUARANTEE

If you are not completely satisfied with the performance of your CRAFTSMAN Power Tool or Nailer for any reason, you can return it within 90 days from the date of purchase with a receipt for a full refund – no questions asked.

**LATIN AMERICA:** This warranty does not apply to products sold in Latin America. For products sold in Latin America, see country specific warranty information contained in the packaging, call the local company or see website for warranty information.

**FREE WARNING LABEL REPLACEMENT:** If your warning labels become illegible or are missing, call **1-888-331-4569** for a free replacement.

## Définitions : symboles et termes d'alarmes sécurité

Ces guides d'utilisation utilisent les symboles et termes d'alarmes sécurité suivants pour vous prévenir de situations dangereuses et de risques de dommages corporels ou matériels.

**⚠ DANGER :** indique une situation dangereuse imminente qui, si elle n'est pas évitée, **entraînera la mort ou des blessures graves.**

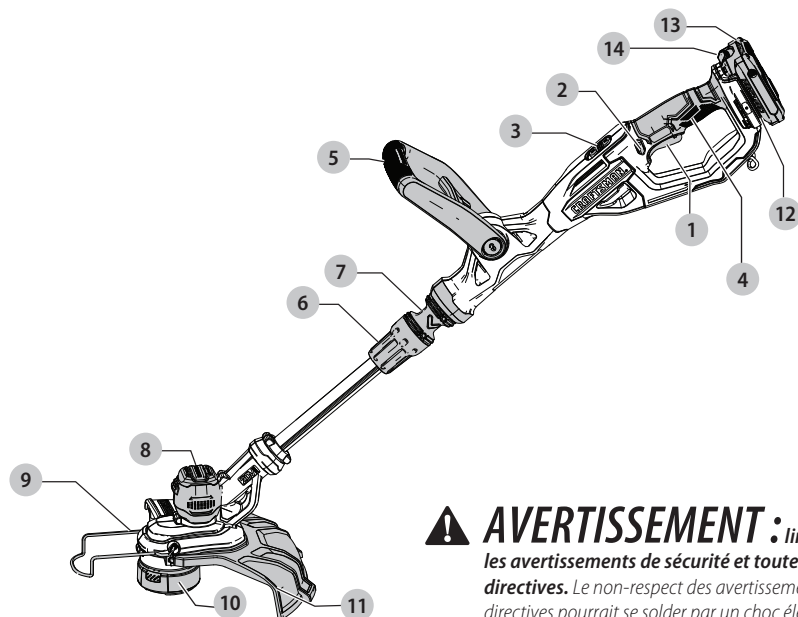
**⚠ AVERTISSEMENT :** indique une situation potentiellement dangereuse qui, si elle n'est pas évitée, **pourrait entraîner la mort ou des blessures graves.**

**⚠ ATTENTION :** indique une situation potentiellement dangereuse qui, si elle n'est pas évitée, **pourrait entraîner des blessures légères ou modérées.**

**⚠** (Si utilisé sans aucun terme) Indique un message propre à la sécurité.

**AVIS :** indique une pratique ne posant **aucun risque de dommages corporels** mais qui par contre, si rien n'est fait pour l'éviter, **pourrait poser des risques de dommages matériels.**

Fig. A



### DESCRIPTION

- |                                        |                                                  |
|----------------------------------------|--------------------------------------------------|
| 1 Gâchette                             | 9 Guide de bord du fil                           |
| 2 Bouton de verrouillage               | 10 Boîtier de la bobine                          |
| 3 Commutateur de réglage de la vitesse | 11 Protecteur                                    |
| 4 Poignée principale                   | 12 Boîtier de la pile                            |
| 5 Poignée auxiliaire                   | 13 Bloc-piles                                    |
| 6 Collier de réglage de la hauteur     | 14 Bouton de libération du bloc-piles            |
| 7 Collier pour passer à la bordure     | 15 Boutons d'ajustement de la poignée auxiliaire |
| 8 Tête du taille-bordure               |                                                  |

**⚠ AVERTISSEMENT :** lire tous les avertissements de sécurité et toutes les directives. Le non-respect des avertissements et des directives pourrait se solder par un choc électrique, un incendie et/ou une blessure grave.

**⚠ AVERTISSEMENT :** ne jamais modifier l'outil électrique ni aucun de ses composants, car il y a risques de dommages corporels ou matériels.

**⚠ AVERTISSEMENT :** afin de réduire le risque de blessures, lire le mode d'emploi de l'outil.

Pour toute question ou remarque au sujet de cet outil ou de tout autre outil CRAFTSMAN composez le numéro sans frais : 1-888-331-4569.



## Taille-bordure/coupe-bordure 20 V max\* CMCST900

### CONSIGNES IMPORTANTES DE SÉCURITÉ

**⚠ AVERTISSEMENT :** afin de réduire le risque de blessure :

- Avant toute utilisation, assurez-vous que toutes les personnes qui utiliseront l'outil lisent et comprennent toutes les consignes de sécurité et les autres renseignements compris dans le présent manuel.
- Conservez ces instructions et consultez-les souvent.

**⚠ AVERTISSEMENT :** lors de l'utilisation d'outils de jardinage électriques, les mesures de précaution de base devraient toujours être prises pour réduire la possibilité d'incendie, de choc électrique et de blessures, en suivant les recommandations suivantes.

1. **Évitez les environnements dangereux :** ne pas utiliser des appareils dans des endroits humides ou mouillés.
2. **Ne pas utiliser sous la pluie.**
3. **Gardez les enfants éloignés :** tous les visiteurs devraient être gardés à une distance sécuritaire de l'aire de travail.
4. **Portez des vêtements appropriés :** ne pas porter des vêtements amples ou des bijoux. Ils peuvent se coincer dans les pièces qui se déplacent. L'utilisation de gants en caoutchouc et de très bonnes chaussures est recommandée lors du travail extérieur. Portez une protection pour vos cheveux afin de les retenir.
5. **Utilisez des lunettes de sécurité :** utilisez un masque facial ou antipoussières s'il y a de la poussière durant l'utilisation.
6. **Utilisez le bon outil :** ne pas utiliser cet outil pour toute tâche autre que celles pour lesquelles il est conçu.
7. **Ne pas saisir les lames de coupe exposées ou les bords coupants lorsque vous prenez ou tenez l'appareil.** (Pour cisailles à gazon et appareils similaires seulement.)
8. **Ne pas forcer l'outil :** le travail sera mieux fait et avec moins de probabilité de risque à la vitesse pour laquelle il a été conçu.
9. **Ne pas s'étirer :** maintenez vos pieds bien d'aplomb sur le sol et un bon équilibre en tout temps.
10. **Demeurez vigilant :** regardez ce que vous faites. Faites preuve de bon sens. Ne pas utiliser l'appareil lorsque vous êtes fatigué.
11. **Débranchez l'appareil :** retirez le bloc-piles lorsque vous ne l'utilisez pas, avant de réparer, lorsque vous changez les accessoires comme les lames et autres.
12. **Entreposez les outils arrêtés à l'intérieur :** lorsqu'ils ne sont pas utilisés, les outils doivent être entreposés à

l'intérieur dans un endroit sec et élevé ou verrouillé hors de portée des enfants.

13. **Entretenez soigneusement l'outil :** gardez bords coupants aiguisés et nettoyez pour une meilleure performance et afin de réduire le risque de blessure. Pour lubrifier l'outil et remplacer les accessoires, suivez les directives du manuel. Inspectez régulièrement la source d'alimentation et si elle est endommagée, faites-la réparer dans un établissement de services autorisé. Gardez vos mains sèches, propres et exemptes de graisse et de poussière.
14. **Vérifiez les pièces endommagées :** avant toute utilisation ultérieure de l'outil, un protecteur ou une autre pièce qui est endommagée doit être soigneusement vérifiée afin de déterminer s'il fonctionnera correctement et s'il effectuera la fonction prévue. Vérifiez l'alignement des pièces qui se déplacent, les fixations des pièces qui se déplacent, le bris des pièces, le montage et tout autre état qui peut affecter son utilisation. Un protecteur ou une autre pièce qui est endommagée doit être convenablement réparé ou remplacé par un centre de services autorisé sauf si c'est indiqué ailleurs dans ce manuel.

### CONSERVEZ CES INSTRUCTIONS

#### Avertissements de sécurité supplémentaires

**⚠ AVERTISSEMENT :** ce produit n'est pas une déligneuse et n'est pas conçu pour être utilisé à des fins de déligneage.

- **PROTECTEUR :** ne pas utiliser cet outil sans avoir fixé le protecteur.
- **PORTEZ DES VÊTEMENTS APPROPRIÉS :** ne pas porter des vêtements amples ou des bijoux. Ils peuvent se coincer dans les pièces qui se déplacent. Les gants et les chaussures à semelles en caoutchouc solides sont recommandés lorsque vous travaillez à l'extérieur. Ne pas utiliser cet outil lorsque vous êtes pieds nus ou que vous portez des sandales ouvertes. Portez des pantalons longs pour protéger vos jambes. Portez une protection pour vos cheveux afin de les retenir.
- **GARDEZ VOTRE VISAGE, VOS MAINS ET VOS PIEDS HORS DE PORTEZ DU FIL EN ROTATION EN TOUT TEMPS.** Le fil en rotation a une fonction de coupe : faites attention lorsque vous coupez autour des moustiquaires et des plantes désirables.
- **GARDEZ TOUS LES PASSANTS ÉLOIGNÉS :** à une distance sécuritaire de la zone de travail, particulièrement les enfants. ASSUREZ-VOUS que les autres personnes et les animaux sont à une distance d'au moins 100 pi (30 m).
- **LORSQUE L'OUTIL EST UTILISÉ COMME COUPE BORDURE, DES PIERRES,** morceaux de métal et autres objets peuvent être projetés à haute vitesse par le fil. L'outil

## FRANÇAIS

et le dispositif de protection sont conçus pour réduire le risque. Pour réduire le risque de blessures par ricochet, travaillez en vous éloignant de tout objet solide tel un mur, des marches, de grosses pierres, d'arbres, etc.

- **FAITES TRÈS ATTENTION** lorsque vous travaillez près d'objets solides et au besoin, taillez à la main.
- **ÉVITEZ LES DÉMARRAGES ACCIDENTELS** : ne pas transporter avec votre doigt sur la gâchette si la pile est installée.
- **DOMMAGES À L'OUTIL** : si vous frappez ou si vous vous emmêlez avec un objet étranger, arrêtez immédiatement l'outil, retirez la pile, vérifiez les dommages et faites réparer les dommages avant de tenter de le réutiliser. Ne pas l'utiliser avec un moyeu ou une bobine brisé.
- **NE PAS UTILISER** les outils électriques portatifs dans une atmosphère gazeuse ou explosive. Les moteurs de ces outils produisent des étincelles et ces étincelles pourraient enflammer les vapeurs.
- **DEMEUREZ VIGILANT** : ne pas utiliser cet outil lorsque vous êtes fatigué, malade ou sous l'influence de l'alcool, de drogues ou de médicaments.
- **NE PAS** immerger l'outil dans l'eau ou l'asperger avec un tuyau.
- **NE PAS** laisser pénétrer tout liquide à l'intérieur. Si l'outil est mouillé, laissez-le sécher pendant au moins 48 heures.
- **NE PAS** nettoyer avec une laveuse à pression.
- **NE PAS** entreposer l'outil sur ou près de fertilisants ou de produits chimiques.
- **NE PAS** charger l'outil sous la pluie ou dans des endroits mouillés

## Consigne de sécurité supplémentaire

**AVERTISSEMENT** : porter **SYSTEMATIQUEMENT** des lunettes de protection. Les lunettes courantes NE sont PAS des lunettes de protection. Utiliser aussi un masque antipoussières si l'opération est poussiéreuse. **PORTER SYSTEMATIQUEMENT UN ÉQUIPEMENT DE SÉCURITÉ HOMOLOGUÉ** :

- Protection oculaire ANSI Z87.1 (CAN/CSA Z94.3) ;
- Protection auditive ANSI S12.6 (S3.19) ;
- Protection des voies respiratoires NIOSH/ OSHA/ MSHA.

**AVERTISSEMENT** : certaines poussières contiennent des produits chimiques reconnus dans l'État de la Californie pour causer le cancer et des anomalies congénitales ou autres effets nuisibles sur la reproduction. Certains exemples de ces produits chimiques sont :

- des composants de fertilisants,
- des composants d'insecticides, d'herbicides et de pesticides,
- l'arsenic et le chrome provenant du bois de construction traité chimiquement.

Pour réduire votre exposition à ces produits chimiques, portez un équipement de sécurité approuvé, comme un masque antipoussière spécialement conçu pour filtrer les particules microscopiques.

- **Limiter toute exposition prolongée avec les poussières provenant du ponçage, sciage, meulage, perçage ou toute autre activité de construction. Porter des vêtements de protection et nettoyer à l'eau savonneuse les parties du corps exposées.** Le fait de laisser la poussière pénétrer dans la bouche, les yeux ou la peau peut favoriser l'absorption de produits chimiques dangereux.

**AVERTISSEMENT** : cet outil peut produire et/ou répandre de la poussière susceptible de causer des dommages sérieux et permanents au système respiratoire. Utiliser systématiquement un appareil de protection des voies respiratoires homologué par le NIOSH ou l'OSHA. Diriger les particules dans le sens opposé au visage et au corps..







**AVERTISSEMENT** : pendant l'utilisation, porter systématiquement une protection auditive individuelle adéquate homologuée ANSI S12.6 (S3.19). Sous certaines conditions et suivant la durée d'utilisation, le bruit émanant de ce produit pourrait contribuer à une perte de l'acuité auditive.

**ATTENTION** : après utilisation, ranger l'outil sur son côté, sur une surface stable, là où il ne pourra ni faire trébucher ni faire chuter quelqu'un. Certains outils équipés d'un large bloc-piles peuvent tenir à la verticale sur celui-ci, mais manquent alors de stabilité.

- **Prendre des précautions à proximité des événements, car ils cachent des pièces mobiles.** Vêtements amples, bijoux ou cheveux longs risquent de rester coincés dans ces pièces mobiles.

L'étiquette apposée sur votre outil peut inclure les symboles suivants. Les symboles et leur définition sont indiqués ci-après :

V .....	volts	SPM (FPM) .....	fréquence par minute
Hz .....	hertz	OPM .....	oscillations par minute
min .....	minutes	A .....	ampères
— — — or DC .....	courant continu	W .....	watts
Ⓢ .....	fabrication classe I (mis à la terre)	~ or AC .....	courant alternatif
... /min .....	par minute	Ⓢ or AC/DC .....	courant alternatif ou continu
BPM .....	batttements par minute	Ⓢ .....	fabrication classe II (double isolation)
IPM .....	impacts par minute	n <sub>0</sub> .....	vitesse à vide
RPM .....	révolutions par minute	n .....	vitesse nominale
sfpm (plpm) .....	pieds linéaires par minute	Ⓢ .....	borne de terre

	.....symbole d'avertissement		.....protection oculaire
	.....radiation visible		.....protection auditive
	.....protection respiratoire		.....lire toute la documentation
IPXX.....	.....symbole IP		

## BLOCS-PILES ET CHARGEURS

Le bloc-piles n'est pas totalement chargé d'usine. Avant d'utiliser le bloc-piles et le chargeur, lire les consignes de sécurité ci-après puis suivre la procédure de chargement indiquée. Pour commander un bloc-piles de recharge, s'assurer d'en inclure le numéro de catalogue et la tension.

### LIRE TOUTES LES CONSIGNES

## Consignes importantes de sécurité les blocs-piles

**⚠ AVERTISSEMENT :** lisez toutes les consignes de sécurité, les instructions et les symboles d'avertissements du bloc-piles, du chargeur et du produit. Tout manquement aux avertissements et instructions pose des risques de décharges électriques, d'incendie et/ou de blessures graves.

- **Ne pas recharger ou utiliser un bloc-piles en milieu déflagrant, en présence, par exemple, de poussières, gaz ou liquides inflammables.** Le fait d'insérer ou retirer un bloc-piles de son chargeur pourrait causer l'inflammation de poussières ou d'émanations.
  - **Lorsque non utilisé, garder le bloc-piles éloigné de petits objets métalliques comme des trombones attache-feuilles, des pièces de monnaie, des clés, des clous et vis ou autres pièces qui pourraient court-circuiter les bornes.** Un court-circuit pourrait causer des brûlures ou un incendie.
  - **NE JAMAIS forcer l'insertion d'un bloc-piles dans un chargeur. NE modifier un bloc-piles d'AUCUNE façon pour le faire rentrer dans un chargeur incompatible, car il pourrait se briser et causer des dommages corporels graves.** Consulter le tableau en dernière page de ce manuel pour connaître les compatibilités entre chargeurs et blocs-piles.
  - Recharger les blocs-piles exclusivement dans des chargeurs CRAFTSMAN.
  - **NE PAS** éclabousser le bloc-piles ou l'immerger dans l'eau ou dans tout autre liquide.
  - **Ne pas entreposer ou utiliser l'appareil et le bloc-piles en présence de températures ambiantes pouvant excéder 40 °C (104 °F) (comme dans des hangars ou des bâtiments métalliques l'été).** Pour préserver leur durée de vie, entreposer les blocs-piles dans un endroit frais et sec.
- REMARQUE :** ne pas mettre un bloc-piles dans un outil dont la gâchette est verrouillée en position de

**marche. Ne jamais bloquer l'interrupteur en position de MARCHÉ.**

- **Ne pas incinérer le bloc-piles même s'il est sévèrement endommagé ou complètement usagé, car il pourrait exploser et causer un incendie.** Pendant l'incinération des blocs-piles au lithium-ion, des vapeurs et matières toxiques sont dégagées.
- **En cas de contact du liquide de la pile avec la peau, rincer immédiatement au savon doux et à l'eau.** En cas de contact oculaire, rincer l'œil ouvert à l'eau claire une quinzaine de minutes ou jusqu'à ce que l'irritation cesse. Si des soins médicaux s'avéraient nécessaires, noter que l'électrolyte de la pile est composé d'un mélange de carbonates organiques liquides et de sels de lithium.
- **Le contenu des cellules d'une pile ouverte peut causer une irritation respiratoire.** En cas d'inhalation, exposer l'individu à l'air libre. Si les symptômes persistent, consulter un médecin.

**⚠ AVERTISSEMENT :** risques de brûlure. Le liquide de la pile peut s'enflammer s'il est exposé à des étincelles ou à une flamme.

**⚠ AVERTISSEMENT :** risques d'incendie. Ne jamais tenter d'ouvrir le bloc-piles pour quelque raison que ce soit. Si le boîtier du bloc-piles est fissuré ou endommagé, ne pas l'insérer dans un chargeur. Ne pas écraser, laisser tomber, ou endommager les blocs-piles. Ne pas utiliser un bloc-piles ou un chargeur qui a reçu un choc violent, ou si l'appareil est tombé, a été écrasé ou endommagé de quelque façon que ce soit (p. ex. percé par un clou, frappé d'un coup de marteau, piétiné). Les blocs-piles endommagés doivent être renvoyés à un centre de réparation pour y être recyclés.

## Recommandations de stockage

1. Le lieu idéal de rangement est un lieu frais et sec, à l'abri de toute lumière solaire directe et de toute température excessive.
2. Pour un stockage prolongé, il est recommandé d'entreposer le bloc-piles pleinement chargé dans un lieu frais et sec, hors du chargeur pour optimiser les résultats.

**REMARQUE :** les blocs-piles ne devraient pas être entreposés complètement déchargés. Il sera nécessaire de recharger le bloc-piles avant réutilisation.

## Instructions d'entretien du blocs-pile

Éliminer toute saleté ou graisse de la surface externe du blocs-pile à l'aide d'un chiffon ou d'une brosse non métallique douce. N'utiliser ni eau ni aucun nettoyant liquide.

## Le sceau SRPRC®

Le sceau SRPRC® (Société de recyclage des piles rechargeables du Canada) apposé sur une



pile au nickel-cadmium, à hydrure métallique de nickel ou au lithium-ion (ou un bloc-piles) indique que les coûts de recyclage de ces derniers en fin d'utilisation ont déjà été réglés par CRAFTSMAN. Dans certaines régions, la mise au rebut ou aux ordures municipales des piles au nickel-cadmium, à l'hydrure métallique de nickel ou au lithium-ion, est illégale ; le programme de l'Appel à Recycler® constitue donc une solution pratique et écologique.

Appel à Recycler Canada, Inc., en collaboration avec CRAFTSMAN et d'autres utilisateurs de piles, a mis sur pied de programme aux États-Unis et au Canada pour faciliter la collecte des piles au nickel-cadmium, à l'hydrure métallique de nickel ou au lithium-ion usagées. Aidez-nous à protéger l'environnement et à conserver nos ressources naturelles en renvoyant les piles au nickel-cadmium, à l'hydrure métallique de nickel ou au lithium-ion usagées à un centre de réparation autorisé ou chez votre détaillant afin qu'elles y soient recyclées. On peut en outre se renseigner auprès d'un centre de recyclage local pour connaître d'autres sites les acceptant. SRPRC® est une marque déposée de l'Appel à Recycler Canada, Inc.

## Transport

**⚠ AVERTISSEMENT :** *risques d'incendie. Au moment de ranger ou transporter le bloc-piles, veiller à protéger ses bornes à découvert de tout objet métallique. Par exemple, éviter de placer le bloc-piles dans un tablier, une poche, une boîte à outils ou un tiroir, etc. contenant des objets tels que clous, vis, clés, etc. Le fait de transporter des blocs-piles comporte des risques d'incendie, car les bornes des piles pourraient entrer, par inadvertance, en contact avec des objets conducteurs, tels que : clés, pièces de monnaie, outils ou autres. La réglementation sur les produits dangereux (Hazardous Material Regulations) du département américain des transports interdit, en fait, le transport des blocs-piles dans les commerces ou dans les avions dans les bagages de cabine. À MOINS qu'ils ne soient correctement protégés de tout court-circuit. Aussi lors du transport individuel de blocs-piles, s'assurer que leurs bornes sont bien protégées et isolées de tout matériau pouvant entrer en contact avec elles et provoquer un court-circuit. REMARQUE : il ne faut pas laisser de piles au li-ion dans les bagages enregistrés.*

## Directives de sécurité importantes propres à tous les chargeurs de piles

**⚠ AVERTISSEMENT :** *lisez toutes les consignes de sécurité, les instructions et les symboles d'avertissements du bloc-piles, du chargeur et du produit. Tout manquement aux avertissements et instructions pose des risques de décharges électriques, d'incendie et/ou de blessures graves.*

- **NE PAS tenter de recharger le bloc-piles avec tout autre chargeur qu'une unité CRAFTSMAN.** *Le chargeur CRAFTSMAN et son bloc-piles sont conçus spécialement pour fonctionner conjointement.*
- **Ces chargeurs n'ont pas été conçus pour une utilisation autre que recharger les blocs-piles rechargeables CRAFTSMAN.** *Toute autre utilisation comporte des risques d'incendie, de chocs électriques ou d'électrocution.*
- **Protéger le chargeur de la pluie ou de la neige.**
- **Tirer sur la fiche plutôt que sur le cordon pour débrancher le chargeur.** *Cela permet de réduire les risques d'endommager la fiche ou le cordon d'alimentation.*
- **S'assurer que le cordon est protégé de manière à ce que personne ne marche ni ne trébuché dessus, ou à ce qu'il ne soit ni endommagé ni soumis à aucune tension.**
- **N'utiliser une rallonge qu'en cas de nécessité absolue.** *L'utilisation d'une rallonge inadéquate comporte des risques d'incendie, de chocs électriques ou d'électrocution.*
- **Pour utiliser un chargeur à l'extérieur, le placer dans un endroit sec et utiliser une rallonge conçue pour l'extérieur.** *L'utilisation d'une rallonge conçue pour l'extérieur réduit les risques de chocs électriques.*
- **Pour la sécurité de l'utilisateur, utiliser une rallonge de calibre adéquat (AWG, American Wire Gauge [calibrage américain normalisé des fils électriques]).** *Plus le calibre est petit, et plus sa capacité est grande. Un calibre 16, par exemple, a une capacité supérieure à un calibre 18. L'usage d'une rallonge de calibre insuffisant causera une chute de tension qui entraînera perte de puissance et surchauffe. Si plus d'une rallonge est utilisée pour obtenir une certaine longueur, s'assurer que chaque rallonge présente au moins le calibre de fil minimum. Le tableau ci-dessous illustre les calibres à utiliser selon la longueur de rallonge et l'intensité nominale indiquée sur la plaque signalétique. En cas de doute, utiliser le calibre suivant. Plus le calibre est petit, plus la rallonge peut supporter de courant.*

**Calibre minimum pour les cordons d'alimentation**

Volts		Longueur totale du cordon d'alimentation en mètre (pieds)			
120 V		7,6 (25)	15,2 (50)	30,5 (100)	45,7 (150)
240 V		15,2 (50)	30,5 (100)	61,0 (200)	91,4 (300)
Ampères		AWG			
Plus que	Pas plus que				
0	6	18	16	16	14
6	10	18	16	14	12
10	12	16	16	14	12
12	16	14	12	Non recommandé	

- **Ne poser aucun objet sur le chargeur. Ne pas mettre le chargeur sur une surface molle qui pourrait en bloquer la ventilation et provoquer une surchauffe interne.** Éloigner le chargeur de toute source de chaleur. Le chargeur dispose d'orifices d'aération sur le dessus et le dessous du boîtier.
- **Ne pas le faire fonctionner avec un cordon d'alimentation ou une fiche endommagée**—les remplacer immédiatement.
- **Ne pas utiliser le chargeur s'il a reçu un coup, fait une chute ou a été endommagé de quelque façon que ce soit.** Le ramener dans un centre de réparation agréé.
- **Ne pas démonter le chargeur. Pour tout service ou réparation, le rapporter dans un centre de réparation agréé.** Le fait de le réassembler de façon incorrecte comporte des risques de chocs électriques, d'électrocution et d'incendie.
- **Débrancher le chargeur du secteur avant tout entretien. Cela réduira tout risque de chocs électriques.** Le fait de retirer le bloc-piles ne réduira pas ces risques.
- **NE JAMAIS tenter de connecter 2 chargeurs ensemble.**
- **Le chargeur a été conçu pour être alimenté en courant électrique domestique standard de 120 volts. Ne pas tenter de l'utiliser avec toute autre tension.** Cela ne s'applique pas aux chargeurs de postes mobiles.

**AVERTISSEMENT :** risques de chocs électriques. Ne laisser aucun liquide pénétrer dans le chargeur, des chocs électriques pourraient en résulter.

**AVERTISSEMENT :** risques de brûlure. Ne submerger le bloc-piles dans aucun liquide et le protéger de toute infiltration de liquide. Ne jamais tenter d'ouvrir le bloc-piles pour quelque raison que ce soit. Si le boîtier plastique du bloc-piles est brisé ou fissuré, le retourner dans un centre de réparation pour y être recyclé.

**ATTENTION :** risques de brûlure. Pour réduire tout risque de dommages corporels,

ne recharger que des blocs-piles rechargeables CRAFTSMAN. Tout autre type de piles pourrait exploser et causer des dommages corporels et matériels.










**ATTENTION :** sous certaines conditions, lorsque le chargeur est connecté au bloc d'alimentation, des matériaux étrangers pourraient court-circuiter le chargeur. Les corps étrangers conducteurs tels que (mais pas limité à) poussières de rectification, débris métalliques, laine d'acier, feuilles d'aluminium, ou toute accumulation de particules métalliques doivent être maintenus à distance des orifices du chargeur. Débrancher systématiquement le chargeur lorsque le bloc-piles n'y est pas inséré. Débrancher systématiquement le chargeur avant tout entretien.

**Chargement du bloc-piles**

**REMARQUE :** afin d'assurer la performance et la vie maximales des blocs-piles au lithium-ion, chargez complètement le bloc-pile avant la première utilisation.

1. Branchez le chargeur dans une prise appropriée avant d'insérer le bloc-piles.
2. Branchez le chargeur et le bloc-piles en vous assurant que le bloc-piles est bien mis en place. Le voyant rouge (chargement) clignotera sans cesse indiquant que le processus de chargement est commencé.
3. La fin de la recharge sera indiquée par le voyant qui demeurera allumé de façon continue. Le bloc-piles est complètement chargé et peut être retiré utilisé à ce moment ou laissé dans le chargeur.

**REMARQUE :** pour retirer le bloc-piles, on doit appuyer sur le bouton de libération du bloc-piles sur certains chargeurs.

Indicators		
	Bloc-piles en Cours de Chargement	 
	Bloc-piles Chargé	 
	Suspension de Charge Contre le Chaud/Froid	 

Le chargeur ne pourront recharger des blocs-piles défectueux. Le chargeur qui refuse de s'allumer peut indiquer un problème avec le chargeur bloc-piles.

**REMARQUE :** si le chargeur ne se met pas en fonction, faites tester le chargeur et le bloc-piles à un centre de service autorisé.

**Fonction de suspension de charge contre le chaud/froid**

Lorsque le chargeur détecte un bloc-piles trop chaud ou trop froid, il démarre automatiquement la fonction de suspension de charge contre le chaud, suspendant le chargement jusqu'à ce que le bloc-piles ait repris une température appropriée. Le chargeur ensuite se remettra automatiquement en mode de chargement. Cette caractéristique assure aux blocs-piles une durée de vie maximale.

## FRANÇAIS

Un bloc-piles froid peut recharger moins vite qu'un bloc-piles chaud.

### Remarques importantes concernant le chargement

1. Pour augmenter la durée de vie du bloc-piles et optimiser son rendement, le recharger à une température ambiante de 18 °C à 24 °C (65 °F à 75 °F). NE PAS charger lorsque le bloc-piles est en dessous de +4,5 °C (+40 °F) ou au-dessus de +40 °C (+104 °F). C'est important pour prévenir tout dommage sérieux au bloc-piles.
2. Le chargeur et son bloc-piles peuvent devenir chauds au toucher pendant la charge. C'est normal et ne représente en aucun cas une défaillance du produit. Pour faciliter le refroidissement du bloc-piles après utilisation, évitez de laisser le chargeur ou le bloc-piles dans un local où la température ambiante est élevée comme dans un hangar métallique ou une remorque non isolée.
3. Si le bloc-piles ne se recharge pas correctement :
  - a. Vérifier le bon fonctionnement de la prise en y branchant une lampe ou tout autre appareil électrique.
  - b. Vérifier que la prise n'est pas contrôlée par un interrupteur qui coupe le courant lorsqu'on éteint les lumières.
  - c. Déplacer le chargeur et le bloc-piles dans un local où la température ambiante se trouve entre environ 18 °C et 24 °C (65 °F et 75 °F).
  - d. Si le problème persiste, amener l'outil, le bloc-piles et son chargeur dans un centre de réparation local.
4. Recharger le bloc-piles lorsqu'il ne produit plus assez de puissance pour effectuer un travail qu'il faisait facilement auparavant. NE PAS CONTINUER à l'utiliser dans ces conditions. Suivre la procédure de charge. Si nécessaire, il est aussi possible de recharger un bloc-piles partiellement déchargé sans effet nuisible sur le bloc-piles.
5. Les corps étrangers conducteurs tels que (mais pas limité à) poussières de rectification, débris métalliques, laine d'acier, feuilles d'aluminium, ou toute accumulation de particules métalliques doivent être maintenus à distance des orifices du chargeur. Débrancher systématiquement le chargeur lorsque le bloc-piles n'y est pas inséré. Débrancher systématiquement le chargeur avant tout entretien.
6. Ne pas congeler ou immerger le chargeur dans l'eau ou tout autre liquide.

### Instructions d'entretien du chargeur

**⚠ AVERTISSEMENT :** *risques de chocs électriques. Débrancher le chargeur de la prise de courant alternatif avant tout entretien. Éliminer toute saleté ou graisse de la surface externe du chargeur à l'aide d'un chiffon ou d'une brosse*

*non métallique douce. N'utiliser ni eau ni aucun nettoyant liquide.*

### Installation murale

Ces chargeurs ont été conçus pour une installation murale ou pour être posés sur une table ou une surface de travail. Pour une fixation murale, installez le chargeur à proximité d'une prise électrique, et à l'écart de coins ou de toute autre obstruction au passage de l'air. Utilisez l'arrière du chargeur pour marquer l'emplacement des vis de montage sur le mur. Fixez soigneusement le chargeur à l'aide de vis autoforeuses (vendues séparément) d'au moins 25,4 mm (1 po) de long, et de diamètre de tête de 7–9 mm (0,28–0,35 po), que vous visserez dans le bois en laissant une longueur optimale d'environ 5,5 mm (7/32 po) exposée. Alignez les orifices à l'arrière du chargeur sur les vis exposées et insérez à fond ces dernières dans les orifices.

### Versatrack™

Les chargeurs CRAFTSMAN peuvent être installés au mur à l'aide des fixations VersaTrack™ de CRAFTSMAN. Les crochets et les accessoires sont vendus séparément. Veuillez consulter la feuille d'accessoires des fixations VersaTrack™ pour de plus amples renseignements.

## CONSERVER CES CONSIGNES POUR UTILISATION ULTÉRIEURE

### DESCRIPTION (FIG. A)

#### Usage prévu

Ce taille-bordure est conçu pour des applications de coupes et conception de bordures domestiques.

**NE PAS** les utiliser en milieu ambiant humide ou en présence de liquides ou de gaz inflammables.

**NE PAS** le laisser à la portée des enfants. Une supervision est nécessaire auprès de tout utilisateur non expérimenté.

### MAINTENANCE

**⚠ AVERTISSEMENT :** *afin de réduire le risque de blessure corporelle, éteignez l'appareil et retirez le bloc-piles avant d'effectuer tout ajustement ou de retirer/installer des pièces ou des accessoires, lorsque vous remplacez ou avant de nettoyer. Un déclenchement accidentel du démarrage peut causer des blessures.*

## Fixer le protecteur (Fig. B, C)

**⚠ AVERTISSEMENT :** *ne jamais retirer le protecteur. Cela pourrait entraîner des dommages matériels ou des blessures corporelles.*

**⚠ AVERTISSEMENT :** **NE JAMAIS FAIRE FONCTIONNER l'outil SANS QUE LE PROTECTEUR SOIT FERMEMENT FIXÉ EN PLACE.**  
*Le protecteur doit toujours être bien fixé à l'outil pour protéger les utilisateurs.*

1. Retirez la vis du protecteur **16**.
2. Glissez le protecteur **11** entièrement sur la tête du taille-bordure **8**. Assurez-vous que les languettes **17** sur le protecteur s'enclenchent dans les nervures de la tête du taille-bordure.
3. Continuez à glisser le protecteur jusqu'à ce qu'il « clique » en place. La languette de verrouillage doit cliquer dans la fente du boîtier.
4. À l'aide d'un tournevis cruciforme, insérez la vis du protecteur et vissez solidement.
5. Une fois le pare-main installé, retirer l'enveloppe de la lame, pour la coupe du fil, située sur le bord du pare-main.

Fig. B

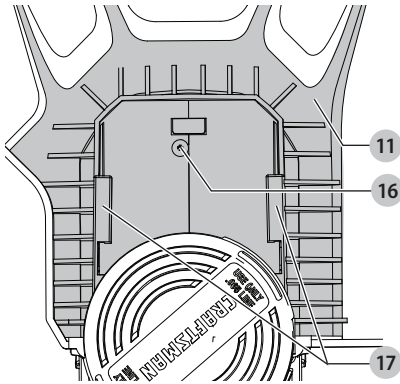
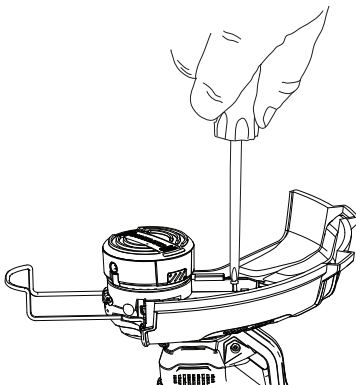


Fig. C



## Fixation de la poignée auxiliaire (Fig. D)

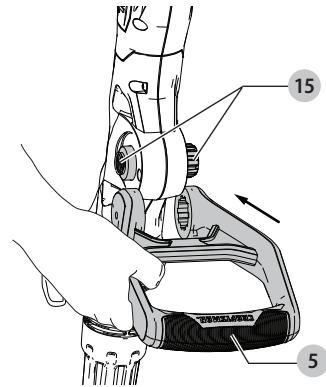
Pour certains modèles, il peut être nécessaire de fixer la poignée auxiliaire. Si c'est un modèle devant avoir la poignée auxiliaire fixée, veuillez consulter ces instructions.

1. Pour fixer la poignée auxiliaire **5**, enfoncer les boutons d'ajustement de la poignée auxiliaire **15** des deux côtés du boîtier supérieur comme le montre la Figure D.
2. Positionner la poignée comme le montre la Figure D. Pousser partiellement la poignée. Ainsi, les boutons seront maintenus enfoncés au moment de les relâcher.
3. Pousser la poignée complètement sur le boîtier et la positionner légèrement de manière à ce qu'elle « s'enclenche » en place.

**REMARQUE :** pour régler la poignée vers le haut ou le bas, appuyer sur le bouton, puis relever ou abaisser la poignée.

**REMARQUE :** ajuster la poignée de façon à avoir le bras avant complètement droit lorsque le taille-bordure est en position de fonctionnement.

Fig. D

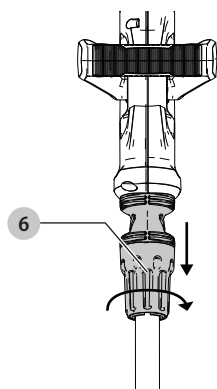


## Réglage de la hauteur (Fig. E)

**⚠ ATTENTION :** *réglez la longueur de la tondeuse à obtenir des postes de travail appropriés.*

1. La hauteur générale du taille-bordure peut être ajustée en desserrant le collier de réglage de la hauteur **6** en le tournant dans le sens de la flèche, comme illustré en Figure E.
2. Monter ou baisser le boîtier supérieur en ligne droite. Lorsque la hauteur désirée est atteinte, serrer le collier en le tournant dans le sens opposé à celui illustré à la Figure E.

Fig. E



### Libération du fil de coupe (Fig. A)

Durant le transport, le fil de coupe est collé au boîtier de la bobine **10**.

- Retirer le ruban adhésif retenant le fil de coupe au boîtier de la bobine.

### FONCTIONNEMENT

**⚠ AVERTISSEMENT :** afin de réduire le risque de blessure corporelle, éteignez l'appareil et retirez le bloc-piles avant d'effectuer tout ajustement ou de retirer/installer des pièces ou des accessoires, lorsque vous remplacez ou avant de nettoyer. Un déclenchement accidentel du démarrage peut causer des blessures.

**⚠ AVERTISSEMENT :** toujours utiliser une protection oculaire appropriée conforme à la norme ANSI Z87.1 (CAN/CSA Z94.3) lors de l'utilisation de cet outil électrique.

**⚠ AVERTISSEMENT :** débrancher la fiche de la source d'alimentation avant de procéder au montage, d'effectuer des réglages ou de changer d'accessoire. Une telle mesure de sécurité préventive réduit le risque de mettre l'outil en marche accidentellement.

**⚠ ATTENTION :** avant de procéder au taillage, s'assurer d'utiliser uniquement le type de fil de coupe adéquat.

**⚠ ATTENTION :** inspecter la zone qui sera taillée et retirer tout morceau de fil métallique, de corde ou d'objets similaires qui pourraient s'enchevêtrer dans le fil rotatif ou avec la bobine. Être spécialement attentif et éviter, sur le parcours de l'outil, tout fil métallique courbé vers l'extérieur comme les fils au pied d'une clôture à mailles losangées.

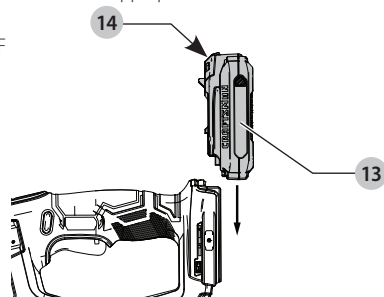
### Installation et retrait du bloc-piles (Fig. F)

**REMARQUE :** pour des résultats optimaux, s'assurer que le bloc-piles est complètement chargé.

Pour installer le bloc-piles **13** dans la poignée de l'outil, alignez le bloc-piles sur les rails dans la poignée de l'outil et faites-le glisser fermement en place puis vérifiez qu'il ne s'en détachera pas.

Pour retirer le bloc-piles de l'outil, poussez sur le bouton de libération **14** et tirez fermement le bloc-piles hors de la poignée de l'outil. Insérez-le dans son chargeur comme décrit dans la section appropriée de ce manuel.

Fig. F



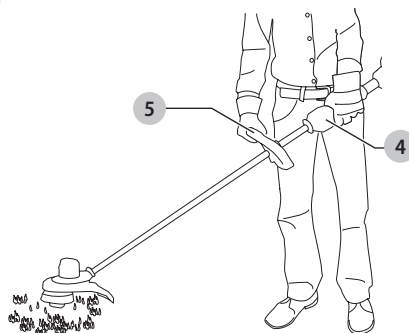
### Position correcte des mains (Fig. G)

**⚠ AVERTISSEMENT :** pour réduire tout risque de dommages corporels graves, adopter **SYSTÉMATIQUEMENT** la position des mains illustrée.

**⚠ AVERTISSEMENT :** pour réduire tout risque de dommages corporels graves, maintenir **SYSTÉMATIQUEMENT** l'outil fermement pour anticiper toute réaction soudaine.

Une position des mains adéquate nécessite une main sur la poignée principale **4** et une main sur la poignée auxiliaire **5**.

Fig. G





## Allumer et éteindre l'appareil (Fig. A)

**⚠ AVERTISSEMENT :** *ne jamais tenter de verrouiller le levier de déclenchement en position de marche.*

Pour mettre l'appareil en marche, appuyez sur le bouton de verrouillage 2, puis appuyez sur la gâchette 1. Le levier de verrouillage pourra être relâché après que la chaîne est en mouvement. Pour éteindre l'appareil, relâchez la gâchette.

## Interrupteur de réglage de vitesse (Fig. A)

Ce taille-bordure vous donne le choix d'opérer à une vitesse plus efficace pour prolonger la durée d'opération pour des travaux plus importants, ou d'accélérer la vitesse de coupe pour une coupe de haute performance.

**Pour prolonger la durée d'opération,** tirez l'interrupteur de réglage de vitesse vers l'arrière vers le compartiment des piles 12 dans la position « LO ». Ce mode est le meilleur pour de grands projets qui nécessitent plus de temps pour terminer.

**Pour accélérer le taille-bordure,** poussez l'interrupteur de réglage de vitesse 3 vers l'avant vers la poignée auxiliaire 5 dans la position « HI ». Ce mode est préférable pour couper à travers une croissance plus lourde et pour des applications qui ont besoin d'un régime plus élevé.

**REMARQUE :** En mode « HI », la durée d'opération sera diminuée par rapport à quand le taille-bordure est en mode « LO ».

## Utilisation du taille-bordure (Fig. H, I)

Avec le moteur en marche, inclinez le taille-bordure et balancez-le lentement d'un côté à l'autre comme le montre la Figure H.

Maintenir un angle de coupe entre 5° et 10° comme le montre la Figure I. Ne pas excéder 10°. Couper avec le bout du fil.

Maintenez une distance minimale de 610 mm (24 po) entre le dispositif de protection et vos pieds, comme le montre la Figure I.

Fig. H

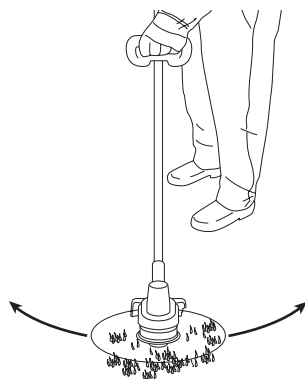
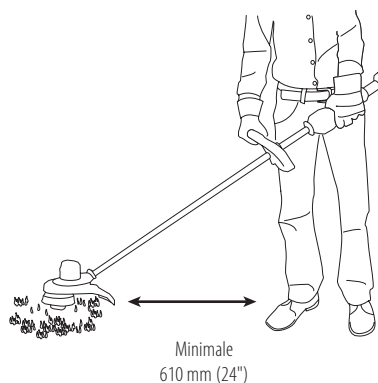


Fig. I



## Convertir au mode coupe-bordure (Fig. J)

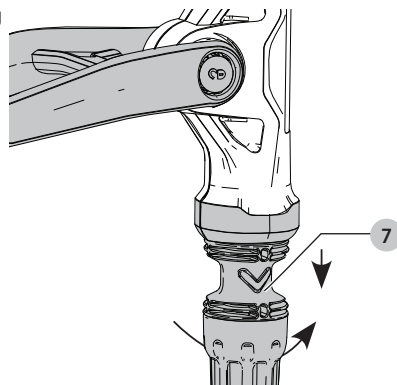
**⚠ ATTENTION :** *le guide de bord du fil doit seulement être utilisé en mode bordure.*

Le taille-bordure peut être utilisé en mode de bordure pour couper les herbes en bordure des gazons et platebandes de fleurs. Pour convertir le taille-bordure en mode bordure :

1. Retirez le bloc-piles du taille-bordure.
2. Saisissez le collier pour passer à la bordure 7 et tirez vers le bas comme illustré dans la Figure J.
3. Tournez le collier pour passer à la bordure dans le sens contraire des aiguilles d'une montre à 180° comme illustré dans la Figure J jusqu'à ce que la poignée revienne dans la moitié supérieure du taille-bordure.
4. Pour revenir en position de coupe, tirez le collier pour passer à la bordure vers le haut et tournez la tête dans le sens des aiguilles d'une montre à sa position originale.

**REMARQUE :** le fil de coupe s'usera plus vite si le taille-bordure est positionné directement sur un trottoir ou une surface abrasive.

Fig. J



## Fonctionnement du mode bordure (Fig. A, H)

**⚠ AVERTISSEMENT :** *lorsque utilisé comme un coupe-bordure, des pierres, des morceaux de métal et d'autres objets peuvent être jetés à grande vitesse par la ligne. La coupe et la garde sont conçus pour réduire le danger.*

Cependant, s'assurer que d'autres personnes et les animaux sont au moins 30 m (100 pieds) de distance. Les meilleurs résultats de coupe sont obtenus sur des bords de plus de 50 mm (2 po) de profondeur.

- Ne pas utiliser l'outil pour créer des bordures ou des tranchées.
- Avec la roue de coupe en bordure 9, guider l'outil comme il est indiqué à la Figure L.
- La position bordure de roue sur le bord du trottoir ou la surface abrasive de la ligne de coupe est sur la zone de l'herbe ou de la saleté à être bordé.
- Pour couper de plus près, incliner légèrement l'outil.

### Conseils de coupe utile (Fig. K)

- Utilisez l'extrémité du fil pour effectuer la coupe; ne pas forcer la tête du fil dans l'herbe non coupée. Utilisez le guide de bord le long des clôtures, des maisons, les plates-bandes pour de meilleures pratiques.
- Fil et palissades corde supplémentaire User, voire rupture. Bois, les bordures et les murs de Pierre et de brique, peuvent porter des string rapidement.
- Ne laissez pas le couvercle de bobine 18 à traîner sur le sol ou d'autres surfaces.
- Croissance longue, coupe du haut vers le bas et ne pas dépasser 304,8 mm (12 po) de haut.
- Gardez tondeuse incliné vers la zone à couper ; Il s'agit de la meilleure zone de coupe.
- La tondeuse coupe lors du passage de l'unité de la gauche à droite. Vous éviterez jetant les débris à l'opérateur.
- Éviter les arbres et les arbustes. Écorce d'arbre, moulures de bois, parement et piquets de clôture peuvent facilement être endommagés par la chaîne.

### Fil tranchant / avance du fil

Votre taille-bordure utilise un fil de nylon ROND de 1,65 mm (0,065 po) de diamètre. En cours d'utilisation, les extrémités des fils de nylon s'effilocheont et s'useront. La bobine spéciale à avance automatique de fil fournira et coupera automatiquement une nouvelle longueur de fil. Le fil tranchant s'usera plus rapidement et exigera une plus grande quantité de fil si la coupe ou le taillage s'effectue le long de trottoirs ou d'autres surfaces abrasives ou si des broussailles épaisses sont coupées. Le mécanisme évolué d'alimentation automatisée du fil perçoit la demande accrue de fil, fournit et coupe la bonne longueur de fil dès qu'elle est nécessaire. Ne pas frapper l'appareil sur le sol pour alimenter l'appareil pour toute autre raison.

## Désobstruction et désenchevêtrement du fil (Fig. K)

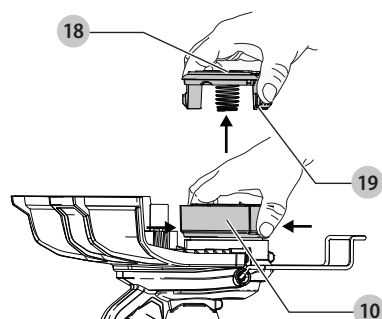
**⚠ AVERTISSEMENT :** *retirer le bloc-piles du taille-bordure avant de procéder au montage, d'effectuer des réglages ou de changer d'accessoire. Une telle mesure de sécurité préventive réduit le risque de mettre l'outil en marche accidentellement.*

De temps en temps, particulièrement lors de la coupe de broussailles épaisses ou vertes, le moyeu d'alimentation de fil s'enrasse avec la sève ou une autre matière, et le fil se bloque. Pour désobstruer l'ensemble, suivre les étapes suivantes.

**⚠ ATTENTION :** *pour éviter d'endommager l'appareil, si le fil de coupe dépasse la lame de coupe, le couper de façon à ce qu'il atteigne seulement la lame.*

1. Retirer le bloc-piles de la taille-bordure.
2. Appuyez sur les languettes de libération 19 sur le capuchon de la bobine 18 et retirez le capuchon de la bobine du boîtier de la bobine 10 (Figure K).
3. Retirer la bobine de fil de nylon. Retirer tout morceau de fil brisé ou résidus de coupe de la zone de la bobine.
4. Mettre la bobine et le fil en place dans le couvercle de la bobine. S'assurer que le fil est bien inséré dans les encoches prévues à cet effet.
5. Insérer l'extrémité du fil dans le trou approprié du couvercle de la bobine. Tirer sur les fils pour retirer le mou jusqu'à ce que ceux-ci sortent des encoches de retenues.
6. Appuyer DOUCEMENT sur la bobine vers le bas et la tourner jusqu'à ce qu'elle se mette en position, puis l'endecher. (Une fois en position, la bobine tournera librement de quelques degrés à gauche et à droite.)
7. Faire attention à ce que le fil ne se prenne pas sous la bobine.
8. Ajuster la bobine sur l'outil comme le décrit la section **Remplacer l'assemblage de la bobine.**

Fig. K



## Remplacer l'assemblage de la bobine (Fig. K, L)

**⚠ AVERTISSEMENT** : l'utilisation de tout accessoire non recommandé par CRAFTSMAN avec cet appareil pourrait être dangereuse.

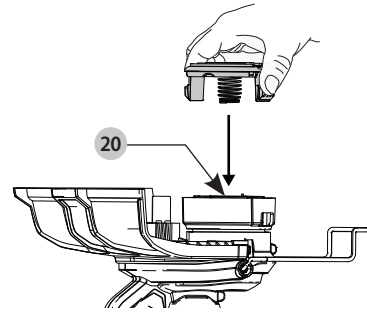
**⚠ AVERTISSEMENT** : ne pas utiliser toute lame, tout accessoire ou toute fixation autre que ceux recommandés CRAFTSMAN sur ce taille-bordure. Cela peut causer une blessure grave ou des dommages matériels.

Faites la recharge du fil de nylon (en vrac ou en bobine) comme expliqué dans le présent manuel.

UTILISEZ SEULEMENT UN FIL DE NYLON ROND DE 1,65 mm (0,065 po) DE DIAMÈTRE. Ne pas utiliser de fil ondulé ou de plus gros calibre, car ils surchargeraiet feraient surchauffer le moteur. Ce fil est disponible chez votre détaillant local ou un centre de services autorisé.

1. Retirez la pile de l'appareil.
2. Appuyez sur les languettes de libération **19** sur le capuchon de la bobine **18** et retirez le capuchon de la bobine du boîtier de la bobine **10** (Figure K).
3. Pour les meilleurs résultats, remplacez la bobine par une autre ayant le numéro de modèle CMZST065 de CRAFTSMAN.
4. Si le levier à la base du boîtier se décroche, remplacez-le dans la bonne position avant d'insérer une nouvelle bobine dans le boîtier.
5. Retirez la saleté et l'herbe du capuchon de la bobine et du boîtier de la bobine.
6. Détachez l'extrémité du fil de coupe et faites entrer le fil dans l'œillet.
7. Prenez la nouvelle bobine et poussez-la sur le bossage **20** dans le boîtier. Tournez légèrement la bobine jusqu'à ce qu'elle se mette en place.
8. Le fil doit dépasser du boîtier d'environ 136 mm (5 3/8 po).
9. Alignez les languettes de libération sur le capuchon de la bobine avec les fentes dans le boîtier de la bobine.
10. Remettez le capuchon de la bobine en appuyant sur les languettes de libération et enfoncez dans la bobine dans le boîtier.
11. Enfoncer le couvercle sur le boîtier de manière à ce qu'il s'enclenche bien en place.

Fig. L



**NOTE**: Assurez-vous que le capuchon est bien placé, soyez à l'écoute pour entendre les deux clics audibles pour vous assurez que languettes de libération sont bien placées. Mettez sous tension l'appareil. En quelques secondes ou moins vous entendrez le fil de nylon à couper automatiquement à la bonne longueur.

**REMARQUE** : D'autres pièces de remplacement (gardes, capuchons de bobines etc.) sont disponibles aux centres de services autorisés. Pour localiser votre service local, composez : 1-888-331-4569 ou visitez [www.craftsman.com](http://www.craftsman.com).

## Rembobinage de la bobine avec du fil en vrac (utiliser uniquement un fil rond de 1,65 mm (0,065 po) de diamètre)

### (Fig. A, M, N)

Le fil en vrac est également offert par les détaillants locaux.

**REMARQUE** : Le fil en vrac des bobines enroulées à la main est susceptible de s'enchevêtrer plus souvent que le fil des bobines enroulées dans une usine CRAFTSMAN. Pour obtenir des résultats optimaux, il est recommandé d'utiliser des bobines embobinées à l'usine.

1. Retirez la pile de l'appareil.
2. Retirez la bobine vide de l'appareil comme décrit dans **Remplacer la bobine**.
3. Retirez tout fil résiduel de la bobine.
4. Faites un pli à l'extrémité du fil de coupe à environ 19 mm (3/4 po) **21**. Insérez le fil dans l'une des fentes d'ancrage **22**.
5. Insérez l'extrémité du fil en vrac de 19 mm (3/4 po) dans le trou **23** dans la bobine adjacente à la fente. Assurez-vous que le fil est bien serré contre la bobine.
6. Enroulez le fil de coupe sur la bobine dans le sens de la flèche sur la bobine. S'assurer de bobiner le fil de façon ordonnée une couche après l'autre. Ne pas entrecroiser.
7. Lorsque le fil de coupe enroulé atteint les encoches **24**, coupez le fil.
8. Ajuster la bobine sur le coupe-bordure comme indiqué à la section **Remplacement de la bobine**.

Fig. M

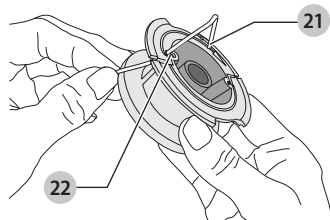
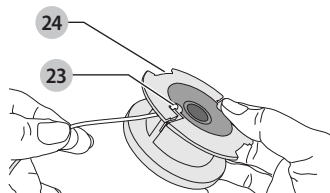


Fig. N



## MAINTENANCE

**AVERTISSEMENT :** afin de réduire le risque de blessure corporelle, éteignez l'appareil et retirez le bloc-piles avant d'effectuer tout ajustement ou de retirer/installer des pièces ou des accessoires, lorsque vous remplacez ou avant de nettoyer. Un déclenchement accidentel du démarrage peut causer des blessures.

## Accessoires

**AVERTISSEMENT :** puisque les accessoires autres que ceux offerts par CRAFTSMAN n'ont pas été testés avec ce produit, leur utilisation pourrait s'avérer dangereuse. Pour réduire le risque de blessures, utiliser exclusivement les accessoires CRAFTSMAN recommandés avec le présent produit.

Les accessoires recommandés pour cet outil sont vendus séparément au centre de service de votre région. Pour obtenir de l'aide concernant l'achat d'un accessoire, communiquer avec CRAFTSMAN, composer le 1-888-331-4569.

## Versatrack™ (Fig. O)

**AVERTISSEMENT :** afin de réduire le risque de blessure corporelle grave, éteignez l'outil et retirez le bloc-piles avant d'effectuer tout ajustement ou de retirer/installer des pièces ou des accessoires. Un démarrage accidentel peut causer des blessures.

**AVERTISSEMENT :** pour réduire le risque de blessures graves, ne pas se servir d'un crochet de suspension intégré Versatrack™ ou d'un rail mural Versatrack™ endommagé. Un crochet de suspension intégré Versatrack™ ou un rail mural Versatrack™ endommagé ne supportera pas le poids de l'outil.

**AVERTISSEMENT :** pour réduire le risque de blessures graves, NE PAS suspendre l'outil au-dessus du niveau de la tête ou suspendre d'autres objets au crochet de suspension intégré. Suspendez SEULEMENT l'outil sur le rail mural Versatrack™ à l'aide du crochet de suspension intégré.

**AVERTISSEMENT :** le crochet de suspension intégré Versatrack™ est conçu pour installer l'outil sur le rail mural Versatrack™. Ne pas utiliser le crochet de suspension intégré pour installer l'outil sur toute autre surface.

**AVERTISSEMENT :** le crochet de suspension intégré Versatrack™ n'est pas un crochet pour courroie.

**AVERTISSEMENT :** lorsque vous suspendez des objets sur un rail mural Versatrack™, distancez adéquatement les outils de sorte à ne pas excéder 75 lb (35 kg) par pied linéaire.

**AVERTISSEMENT :** avant d'utiliser l'outil, assurez-vous que le crochet de suspension intégré Versatrack™ est revenu à sa position originale.

**IMPORTANT :** les accessoires Versatrack™ permettent d'installer des outils compatibles de façon sécuritaire sur le système de rail mural Versatrack™.

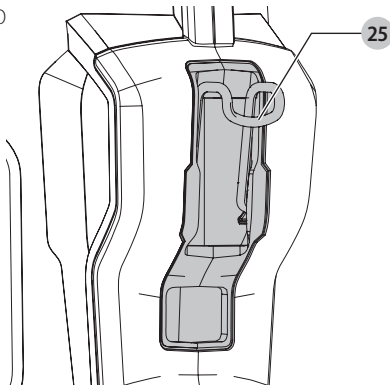
1. Éteignez l'outil, retirez le bloc-piles et les accessoires.

**ATTENTION :** tout produit avec dents coupantes exposées doit être couvert de façon sécuritaire s'il doit être mis sur le rail mural Versatrack™.

2. Installez le crochet de suspension intégré 25 sur le rail mural Versatrack™.

**REMARQUE :** les accessoires Versatrack™ pour utilisation avec cet outil sont disponibles à un coût supplémentaire chez votre détaillant local ou dans un centre de services autorisé. Si vous avez besoin d'aide pour trouver un accessoire, veuillez contacter CRAFTSMAN, appelez au 1-888-331-4569.

Fig. 0



## Nettoyage

**⚠ AVERTISSEMENT :** *enlever les saletés et la poussière hors des événements au moyen d'air comprimé propre et sec, au moins une fois par semaine. Pour minimiser le risque de blessure aux yeux, toujours porter une protection oculaire conforme à la norme ANSI Z87.1 lors du nettoyage.*

**⚠ AVERTISSEMENT :** *ne jamais utiliser de solvants ni d'autres produits chimiques puissants pour nettoyer les pièces non métalliques de l'outil. Ces produits chimiques peuvent affaiblir les matériaux de plastique utilisés dans ces pièces. Utiliser un chiffon humecté uniquement d'eau et de savon doux. Ne jamais laisser de liquide pénétrer dans l'outil et n'immerger aucune partie de l'outil dans un liquide.*

## Réparations

Le chargeur et le bloc-piles ne sont pas réparables. Le chargeur ou le bloc-piles ne comportent aucune pièce réparable.

**⚠ AVERTISSEMENT :** *pour assurer la SÉCURITÉ et la FIABILITÉ du produit, les réparations, l'entretien et les réglages doivent être réalisés (cela comprend l'inspection et le remplacement du balai, le cas échéant) par un centre de réparation en usine CRAFTSMAN ou un centre de réparation agréé CRAFTSMAN. Toujours utiliser des pièces de rechange identiques.*

## Registre en ligne

Merci pour votre achat. Enregistrez dès maintenant votre produit:

- **RÉPARATIONS SOUS GARANTIE:** cette carte remplit vous permettra de vous prévaloir du service de réparations sous garantie de façon plus efficace dans le cas d'un problème avec le produit.
- **CONFIRMATION DE PROPRIÉTÉ:** en cas de perte provoquée par un incendie, une inondation ou un vol, cette preuve de propriété vous servira de preuve auprès de votre compagnie d'assurances.

- **SÉCURITÉ:** l'enregistrement de votre produit nous permettra de communiquer avec vous dans l'éventualité peu probable de l'envoi d'un avis de sécurité régi par la loi fédérale américaine de la protection des consommateurs.

Registre en ligne à [www.craftsman.com/registration](http://www.craftsman.com/registration)

## Garantie limitée de trois ans

CRAFTSMAN réparera ou remplacera sans frais tout appareil défectueux pour cause de défaut de matériau ou de main-d'œuvre sur une période de trois ans à partir de la date d'achat de l'outil (deux ans pour les bloc-piles). Cette garantie ne couvre pas les pièces en panne pour cause d'abus ou d'usure normale de l'outil. Pour plus de détails au sujet de la couverture de la garantie et l'information de réparation sous garantie, visitez [www.craftsman.com](http://www.craftsman.com) ou composez le **1-888-331-4569**. Cette garantie ne s'applique pas aux accessoires ou dommages causés par des réparations effectuées ou tentées par d'autres. CETTE GARANTIE REMPLACE TOUTES LES AUTRES, INCLUANT LES GARANTIES IMPLICITES DE LA QUALITÉ MARCHANDE ET L'APTITUDE POUR UN BUT PARTICULIER, ET EXCLUT TOUS LES DOMMAGES ACCIDENTELS OU CONSÉCUTIFS. Certaines provinces ne permettent pas de limitation sur la durée de la garantie implicite ou l'exclusion ou la limitation de dommages indirects, alors ces limitations peuvent ne pas s'appliquer à vous. Cette garantie vous donne des droits légaux particuliers et vous pouvez avoir d'autres droits qui varient selon les états ou les provinces.,

### CONTRAT D'ENTRETIEN GRATUIT DE DEUX ANS SUR LES BLOC-PILES CRAFTSMAN

CMCB201, CMCB2011

### CONTRAT D'ENTRETIEN GRATUIT DE TROIS ANS SUR LES BLOC-PILES CRAFTSMAN

CMCB202, CMCB204

**REMARQUE :** la garantie de ce produit sera annulée si le bloc-piles a été altéré de quelque façon que ce soit. CRAFTSMAN ne peut être tenu responsable de tout dommage corporel causé par l'altération du produit et pourra poursuivre toute fraude en matière de garantie dans toute l'étendue permise par la loi.

### GARANTIE DE REMBOURSEMENT DE 90 JOURS

Si l'acheteur n'est pas entièrement satisfait, pour quelque raison que ce soit, du rendement de l'outil électrique ou de la cloueuse CRAFTSMAN, celui-ci peut le retourner, accompagné d'un reçu, dans les 90 jours à compter de la date d'achat pour obtenir un remboursement intégral, sans aucun problème.

**AMÉRIQUE LATINE :** cette garantie ne s'applique aux produits vendus en Amérique latine. Pour ceux-ci, veuillez consulter les informations relatives à la garantie spécifique présente dans l'emballage, appeler l'entreprise locale ou consulter le site Web pour les informations relatives à cette garantie.

### REMPLACEMENT GRATUIT DES ÉTIQUETTES

**D'AVERTISSEMENT :** si les étiquettes d'avertissement deviennent illisibles ou sont manquantes, composer le **1-888-331-4569** pour en obtenir le remplacement gratuit.

## Definiciones: Símbolos y Palabras de Alerta de Seguridad

Este manual de instrucciones utiliza los siguientes símbolos y palabras de alerta de seguridad para alertarle de situaciones peligrosas y del riesgo de lesiones corporales o daños materiales.

**⚠ PELIGRO:** Indica una situación de peligro inminente que, si no se evita, provocará **la muerte o lesiones graves**.

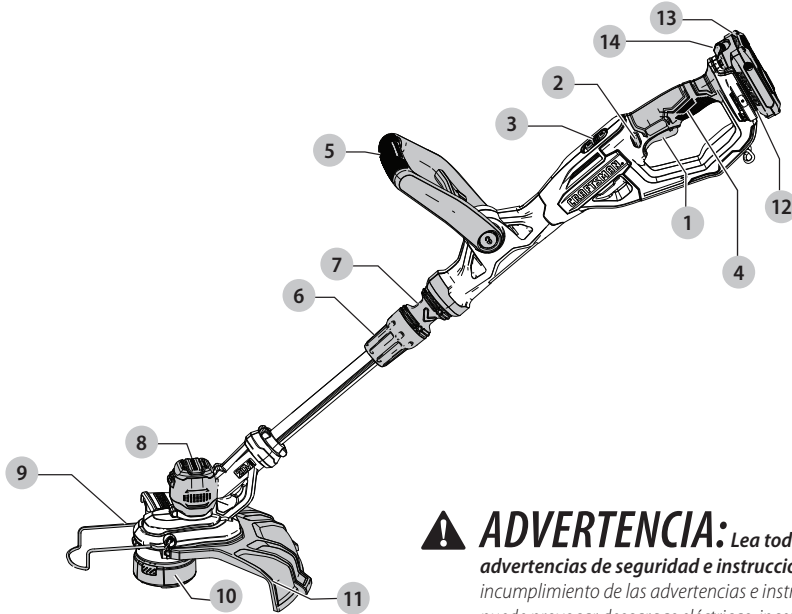
**⚠ ADVERTENCIA:** Indica una situación de peligro potencial que, si no se evita, **podría provocar la muerte o lesiones graves**.

**⚠ ATENCIÓN:** Indica una situación de peligro potencial que, si no se evita, **posiblemente provocaría lesiones leves o moderadas**.

**⚠** (Utilizado sin palabras) indica un mensaje de seguridad relacionado.

**AVISO:** Se refiere a una práctica **no relacionada a lesiones corporales** que de no evitarse **puede** resultar en **daños a la propiedad**.

Fig. A



### COMPONENTES

- |                                       |                                         |
|---------------------------------------|-----------------------------------------|
| 1 Gatillo ON/OFF (Encendido/Apagado)  | 8 Cabeza de podadora                    |
| 2 Botón de bloqueo de apagado         | 9 Guía de borde de cable                |
| 3 Interruptor de control de velocidad | 10 Alojamiento de carrete               |
| 4 Manija principal                    | 11 Protección                           |
| 5 Manija auxiliar                     | 12 Alojamiento de batería               |
| 6 Collar de ajuste de altura          | 13 Paquete de batería                   |
| 7 Collar de giro para bordear         | 14 Botón de liberación de batería       |
|                                       | 15 Botones de ajuste de manija auxiliar |

**⚠ ADVERTENCIA:** Lea todas las advertencias de seguridad e instrucciones. El incumplimiento de las advertencias e instrucciones puede provocar descargas eléctricas, incendios o lesiones graves.

**⚠ ADVERTENCIA:** Nunca modifique la herramienta eléctrica, ni tampoco ninguna de sus piezas. Podría producir lesiones corporales o daños.

**⚠ ADVERTENCIA:** Para reducir el riesgo de lesiones, lea el manual de instrucciones.

Si tiene alguna duda o algún comentario sobre ésta u otra herramienta CRAFTSMAN llámenos al número gratuito: 1-888-331-4569.

## Podadora/Bordeadora de Cuerda 20 V Máx\* CMCST900

### INSTRUCCIONES DE SEGURIDAD IMPORTANTES

**⚠ ADVERTENCIA:** Para reducir el riesgo de lesiones:

- Antes de cualquier uso, asegúrese que cualquiera que use esta unidad lea y entienda todas las instrucciones de seguridad y otra información contenida en este manual.
- Conserve estas instrucciones y revíselas con frecuencia.

**⚠ ADVERTENCIA:** Cuando use aparatos de jardinería eléctricos, siempre se deben seguir las precauciones de seguridad básica para reducir el riesgo de incendio, descarga eléctrica, y lesiones personales, incluyendo las siguientes.

1. **Evite ambientes peligrosos** – No use aparatos en ubicaciones mojadas o húmedas.
2. **No use en lluvia.**
3. **Mantenga a los niños alejados** – Todos los visitantes deben mantener una distancia del área de trabajo.
4. **Use vestimenta apropiada** – No use ropa holgada o joyería. Pueden quedar atrapados en las partes móviles. Se recomienda el uso de guantes de hule y calzado apropiado cuando trabaje en exteriores. Use una cubierta de protección para el cabello para cubrir el cabello largo.
5. **Use Gafas de seguridad** – También use una careta o máscara de polvo si la operación produce polvo.
6. **Utilice el aparato correcto** – No utilice el aparato para ningún trabajo excepto para el que está diseñado.
7. **No sujete las cuchillas de corte expuestas ni los bordes de corte cuando levante o sostenga el aparato.** (Sólo para podadoras y aparatos similares.)
8. **No fuerce el aparato** – Hará el trabajo mejor y con menos probabilidad de un riesgo de lesión en la velocidad para la que se diseñó.
9. **No se estire en exceso** – Mantenga la pisada y equilibrio adecuados en todo momento.
10. **Permanezca alerta** – Observe lo que está haciendo. Utilice el sentido común. No opere el aparato cuando esté cansado.
11. **Desconecte el aparato** – Retire la batería cuando no esté en uso, antes de realizar el mantenimiento, al cambiar accesorios tales como cuchillas, y similares.
12. **Guarde los aparatos sin uso en el interior** – Cuando no los use, los aparatos deben almacenarse en interiores en lugares secos y altos o encerrados, fuera del alcance de los niños.
13. **Mantenga el aparato con cuidado** – Mantenga el borde de corte afilado y limpio para obtener el mejor

desempeño y reducir el riesgo de lesiones. Siga las instrucciones para lubricar y cambiar los accesorios. Revise la fuente de energía del aparato periódicamente y, si está dañada, pida que lo reparen en instalaciones de servicio autorizadas. Mantenga las manijas secas, limpias y libres de aceite y grasa.

14. **Revise las partes dañadas** – Antes de utilizar el aparato, se debe revisar cuidadosamente una protección u otra pieza que esté dañada para determinar que funcionará correctamente y cumplirá su función. Revise la alineación de las partes móviles, la unión de las partes móviles, la ruptura de partes, el montaje y cualquier otra condición que pueda afectar su operación. Una protección u otra parte que esté dañada se debe reparar o reemplazar apropiadamente por un centro de servicio autorizado, a menos que se indique en otra parte de este manual.

### CONSERVE ESTAS INSTRUCCIONES

#### Advertencias de Seguridad Adicionales

**⚠ ADVERTENCIA:** Este producto no es una bordeadora y no está destinado para utilizarse para bordes.

- **PROTECCIÓN** - No use este aparato sin la protección incluida.
- **USE VESTIMENTA CORRECTA** - No use ropa suelta o joyas. Pueden quedar atrapados en las partes móviles. Se recomiendan guantes y calzado de suela de hule cuando trabaje al aire libre. No opere el aparato cuando esté descalzo o use sandalias abiertas. Use pantalones largos pesados para proteger sus piernas. Use una cubierta de protección para el cabello para cubrir el cabello largo.
- **MANTENGA LA CARA, LAS MANOS Y LOS PIES ALEJADOS DE LA LÍNEA DE NYLON GIRATORIA EN TODO MOMENTO.** La línea giratoria realiza una función de corte, tenga cuidado al recortar alrededor de pantallas y plantas deseables.
- **MANTENGA A TODOS LOS TRANSEÚNTES ALEJADOS** - a una distancia segura del área de trabajo, especialmente a niños. ASEGÚRESE que otras personas y mascotas estén a una distancia de por lo menos 100' (30 m).
- **AL UTILIZAR LA HERRAMIENTA COMO BORDEADORA,** las piedras, las piezas de metal y otros objetos pueden ser arrojados a alta velocidad por la acción de la cuerda. La herramienta y el protector están diseñados para reducir el peligro. PARA REDUCIR EL RIESGO de lesiones por repercusión (rebote), trabaje lejos de cualquier objeto sólido cercano, como pared, escalones, piedras grandes, árboles, etc.
- **TENGA MUCHO CUIDADO** cuando trabaje cerca de objetos sólidos y cuando sea necesario, realice el corte a mano.

- **EVITE EL ARRANQUE ACCIDENTAL** – No cargue con el dedo en el gatillo cuando la batería esté instalada.
- **DAÑO A LA UNIDAD** - Si golpea o se enreda con un objeto extraño, detenga el aparato inmediatamente, retire la batería, revise si hay daños y repare el daño antes de intentar la operación adicional. No opere con un cubo o un carrete rotos.
- **NO OPERE** aparatos eléctricos portátiles en una atmósfera gaseosa o explosiva. Los motores de estos aparatos pueden producir chispas, y éstas pueden encender los vapores.
- **PERMANEZCA ALERTA** - No utilice esta unidad cuando esté cansado, enfermo o bajo la influencia de alcohol, drogas o medicamentos.
- **NO** sumerja el aparato en agua ni lo rocíe con una manguera.
- **NO** permita que entre ningún líquido en su interior. Si el aparato se moja, deje secar durante un mínimo de 48 horas.
- **NO** limpie con una lavadora a presión.
- **NO** guarde el aparato en o junto a fertilizantes o productos químicos.
- **NO** cargue el aparato en la lluvia o en lugares húmedos

**Instrucción Adicional de Seguridad**

**ADVERTENCIA:** Use **SIEMPRE** lentes de seguridad. Los anteojos de diario **NO SON** lentes de seguridad. Utilice además una cubrebocas o mascarilla antipolvo si la operación de corte genera demasiado polvo. **SIEMPRE LLEVE EQUIPO DE SEGURIDAD CERTIFICADO:**

- protección ocular ANSI Z87.1 (CAN/CSA Z94.3),
- protección auditiva ANSI S12.6 (S3.19),
- protección respiratoria NIOSH/OSHA/MSHA.

**ADVERTENCIA:** Algún polvo contiene químicos conocidos por el Estado de California que causan cáncer, defectos de nacimiento u otros daños reproductivos. Algunos ejemplos de estos químicos son:

- compuestos en fertilizantes,
- compuestos en insecticidas, herbicidas y pesticidas,
- arsénico y cromo a partir de madera tratada químicamente.

Para reducir su exposición a estos químicos, use equipo de seguridad aprobado, tal como máscaras de polvo que estén diseñadas específicamente para filtrar partículas microscópicas.

- Evite el contacto prolongado con polvo generado por el lijado, aserrado, pulido, taladrado y otras actividades de construcción. Vista ropas protectoras y lave las áreas de la piel expuestas con agua y jabón. Si permite que el polvo se introduzca en la boca u

ojos o quede sobre la piel, puede favorecer la absorción de productos químicos peligrosos.

**ADVERTENCIA:** La utilización de esta herramienta puede generar polvo o dispersarlo, lo que podría causar daños graves y permanentes al sistema respiratorio, así como otras lesiones. Siempre use protección respiratoria aprobada por NIOSH (Instituto Nacional de Seguridad y Salud en el Trabajo) u OSHA (Administración de Seguridad y Salud en el Trabajo) apropiada para la exposición al polvo. Dirija las partículas en dirección contraria a la cara y el cuerpo.

**ADVERTENCIA:** Siempre lleve la debida protección auditiva personal en conformidad con ANSI S12.6 (S3.19) durante el uso de esta herramienta. Bajo algunas condiciones y duraciones de uso, el ruido producido por este producto puede contribuir a la pérdida auditiva.


**ATENCION:** Cuando no esté en uso, guarde la herramienta apoyada en un costado sobre una superficie estable, donde no interrumpa el paso o provoque una caída. Algunas herramientas con paquetes de baterías de gran tamaño pueden colocarse paradas sobre el paquete de baterías, pero pueden caerse fácilmente.

- Los orificios de ventilación suelen cubrir piezas en movimiento, por lo que también se deben evitar. Las piezas en movimiento pueden atrapar prendas de vestir sueltas, joyas o el cabello largo.

La etiqueta de su herramienta puede incluir los siguientes símbolos. A continuación se indican los símbolos y sus definiciones:

V .....	voltios	~ or AC.....	corriente alterna
Hz .....	hertz	⎓ or AC/DC....	corriente alterna o directa
min .....	minutos	▣ .....	Construcción de Clase II (doble aislamiento)
— — — or DC.....	direct current	n <sub>0</sub> .....	velocidad sin carga
Ⓢ .....	Construcción de Clase I (tierra)	IPXX.....	símbolo IP
.../min.....	por minuto	n .....	velocidad nominal
BPM .....	golpes por minuto	⊕ .....	terminal de conexión a tierra
IPM .....	impactos por minuto	▲ .....	símbolo de advertencia de seguridad
RPM .....	revoluciones por minuto	⚠ .....	radiación visible
sfpm .....	pies de superficie por minuto	☎ .....	protección respiratoria
SPM .....	pasadas por minuto	👁 .....	protección ocular
OPM.....	oscilaciones por minuto	👂 .....	protección auditiva
A .....	amperios		
W .....	watios		



 .....lea toda la

documentación

## BATERÍAS Y CARGADORES

La batería no viene completamente cargada de fábrica. Antes de utilizar la batería y el cargador, lea las siguientes instrucciones de seguridad y luego siga los procedimientos de carga indicados. Cuando pida baterías de repuesto, no olvide indicar el número de catálogo y el voltaje.

### LEA TODAS LAS INSTRUCCIONES

## Instrucciones de Seguridad Importantes Para Todas las Unidades de Batería

**⚠️ ADVERTENCIA:** *Lea todas las advertencias de seguridad, instrucciones y marcas de precaución para el paquete de la batería, el cargador y el producto. No seguir las advertencias y las instrucciones puede provocar una descarga eléctrica, un incendio y/o lesiones graves.*

- **No cargue o use la unidad de batería en atmósferas explosivas, como en presencia de líquidos, gases o polvos inflamables.** Puede que al insertar o sacar la unidad de batería del cargador se inflamen el polvo o los gases.
- **Cuando el paquete de batería no esté en uso, manténgalo alejado de otros objetos metálicos, como sujetadores de papel, monedas, llaves, clavos, tornillos, u otros objetos pequeños de metal que puedan hacer una conexión de una terminal a otra.** Conectar en corto circuito las terminales de la batería puede causar quemaduras o un incendio.
- **NUNCA fuerce la unidad de batería para que entre en el cargador. NO modifique la unidad de batería en ninguna forma para que entre en un cargador no compatible, pues puede producir una ruptura en la unidad de batería y causar lesiones corporales graves.** Consulte la tabla al final de este manual para ver la compatibilidad entre baterías y cargadores.
- **Cargue las unidades de batería sólo en los cargadores designados por CRAFTSMAN.**
- **NO salpique con ni sumerja en agua u otros líquidos.**
- **No guarde ni use la herramienta y unidad de batería en lugares donde la temperatura pueda alcanzar o superar los 40 °C (104 °F), tales como cobertizos o construcciones de metal durante el verano.** Almacene las unidades de batería en lugares frescos y secos para maximizar su vida útil.  
**NOTA: No almacene las unidades de batería en la herramienta con el interruptor de gatillo en posición encendida fija. Nunca use cinta adhesiva para mantener el interruptor de gatillo en posición ENCENDIDA.**
- **No incinere la unidad de batería, aunque esté completamente dañada o descargada. La unidad de batería puede explotar si se quema.** Cuando se

quemam unidades de batería de iones de litio, se producen gases y materiales tóxicos.

- **Si el contenido de la batería entra en contacto con la piel, lave el área de inmediato con agua y un jabón suave.** Si el líquido de la batería entra en contacto con sus ojos, enjuéguelos con agua y los ojos abiertos por 15 minutos o hasta que cese la irritación. Si se requiere de asistencia médica, el electrolito de la batería está compuesto por una mezcla de carbonatos orgánicos líquidos y sales de litio.
- **El contenido de los elementos abiertos de la batería puede causar irritación en el tracto respiratorio.** Salga al aire fresco. Si los síntomas persisten, busque asistencia médica.

**⚠️ ADVERTENCIA:** *Peligro de quemaduras. El líquido de la batería puede ser inflamable si se expone a chispas o llamas.*

**⚠️ ADVERTENCIA:** *Peligro de incendio. Nunca intente abrir la unidad de batería por ningún motivo. Si la caja exterior de la unidad de batería se triza o daña, no la introduzca en el cargador. No triture, deje caer o dañe la unidad de batería. No use una unidad de batería o un cargador que haya sido golpeado, dejado caer, atropellado o dañado en cualquier forma (por ejemplo, perforado por un clavo, golpeado con un martillo, pisado). Lleve sus unidades de batería dañadas al centro de servicio para que sean recicladas.*

## Recomendaciones de Almacenamiento

1. El mejor lugar de almacenamiento es uno que sea fresco y seco, lejos de la luz solar directa y del exceso de calor o frío.
2. Para resultados óptimos durante tiempos prolongados de almacenamiento, se recomienda almacenar la unidad de batería completamente cargada en un lugar fresco y seco fuera del cargador.

**NOTA:** Las unidades de batería no deberían almacenarse completamente descargadas. La unidad de batería deberá recargarse antes de ser usada.

## Instrucciones de Limpieza del Batería

Para limpiar la suciedad y grasa del exterior del cargador puede usarse un paño o cepillo suave no metálico. No use agua ni soluciones limpiadoras.

## El sello RBRC®

El sello RBRC® (Rechargeable Battery Recycling Corporation) en las baterías (unidades de batería) de níquel cadmio, níquel e hidruro metálico o de iones de litio indica que el costo de reciclaje de estas baterías (o unidades de batería) al llegar al final de su vida de servicio ya ha sido pagado por CRAFTSMAN. En algunas áreas, es ilegal depositar baterías de níquel cadmio, níquel e hidruro metálico o de iones de litio gastadas en la basura o la corriente de residuos sólidos



**ESPAÑOL**

urbanos; el programa Call 2 Recycle® proporciona una alternativa ecológica.

Call 2 Recycle, Inc., en cooperación con CRAFTSMAN y otros usuarios de baterías, han establecido programas en los Estados Unidos y Canadá para facilitar la recolección de baterías de níquel cadmio, níquel e hidruro metálico o de iones de litio gastadas. Al llevar sus baterías de níquel cadmio, níquel e hidruro metálico y de iones de litio gastadas a un centro de servicio autorizado por o al minorista local para que sean recicladas, ayuda a proteger el medio ambiente y a conservar recursos naturales. También puede comunicarse con el centro de reciclaje de su localidad para mayor información sobre dónde llevar sus baterías gastadas.

RBRC® es una marca comercial registrada de Call 2 Recycle, Inc.

**Transporte**

**⚠️ ADVERTENCIA:** *Peligro de incendio. No guarde o transporte la batería de forma que los terminales expuestos de la misma puedan estar en contacto con objetos metálicos. Por ejemplo, no ponga la batería en delantales, bolsillos, cajas de herramientas, estuches de productos, cajones, etc., junto con clavos, tornillos, y llaves, etc. sueltos. El transporte de baterías puede causar incendios si sus terminales inadvertidamente entran en contacto con materiales conductores como llaves, monedas, herramientas manuales y otros por el estilo. El Reglamento sobre Materiales Peligrosos (HMR) del Departamento de Transporte de EE.UU. prohíbe transportar baterías comercialmente o en aviones en el equipaje de mano A MENOS que estén debidamente protegidas contra cortocircuitos. Por lo tanto, cuando transporte baterías individuales, asegúrese de que sus terminales estén protegidos y debidamente aislados de los materiales que pudieran entrar en contacto con ellos y provocar un cortocircuito. **NOTA:** Las baterías de iones de Li-ion no deben colocarse dentro del equipaje registrado.*

**Instrucciones Importantes de Seguridad Para Todos los Cargadores de Baterías**

**⚠️ ADVERTENCIA:** *Lea todas las advertencias de seguridad, instrucciones y marcas de precaución para el paquete de la batería, el cargador y el producto. No seguir las advertencias y las instrucciones puede provocar una descarga eléctrica, un incendio y/o lesiones graves.*

- **NO intente cargar el paquete de batería con ningún cargador diferente a un cargador CRAFTSMAN.** El cargador y el paquete de batería CRAFTSMAN están diseñados específicamente para funcionar juntos.

- **Estos cargadores no fueron diseñados para ser utilizados para más que cargar las baterías recargables CRAFTSMAN.** Cualquier otro uso puede producir riesgo de incendios, descargas eléctricas o electrocución.
- **No exponga el cargador a la lluvia o a la nieve.**
- **Tire del enchufe y no del cable cuando desconecte el cargador.** De esta forma se reduce el riesgo de daño al enchufe y cable.
- **Asegúrese de que el cable no sea ubicado de manera que podría ser pisado, causar que alguien tropiece con él o ser expuesto a otro tipo de daños y desgastes.**
- **No use un alargador a menos que sea absolutamente necesario.** El uso de un alargador incorrecto podría producir riesgo de incendios, descargas eléctricas o electrocución.
- **Cuando opere un cargador al exterior, hágalo siempre en un lugar seco y use un alargador apropiado para uso al exterior.** El uso de un alargador apropiado para uso al exterior reduce el riesgo de descarga eléctrica.
- **Los hilos del alargador deben ser de un calibre apropiado (AWG o American Wire Gauge) para su seguridad.** Mientras menor sea el calibre del hilo, mayor la capacidad del cable. Es decir, un hilo calibre 16 tiene mayor capacidad que uno de 18. Un cable de un calibre insuficiente causará una caída en la tensión de la línea dando por resultado una pérdida de energía y sobrecalentamiento. Cuando se utilice más de un alargador para completar el largo total, asegúrese que los hilos de cada alargador tengan el calibre mínimo. La tabla siguiente muestra el tamaño correcto a utilizar, dependiendo de la longitud del cable y del amperaje nominal de la placa de identificación. Si tiene dudas sobre cuál calibre usar, use un calibre mayor. Cuanto menor sea el número del calibre, más resistente será el cable.

**Calibre mínimo de conjuntos de cables**

Voltios	Longitud total del cable en pies (metros)				
	120 V	25 (7,6)	50 (15,2)	100 (30,5)	150 (45,7)
240 V	50 (15,2)	100 (30,5)	200 (61,0)	300 (91,4)	
Amperaje nominal		AWG			
Más de	No Más de				
0	6	18	16	16	14
6	10	18	16	14	12
10	12	16	16	14	12
12	16	14	12	No recomendado	

- **No coloque ningún objeto encima del cargador ni coloque a este sobre una superficie blanda que pudiera bloquear las ranuras de ventilación y resultar en un calor interno excesivo.** Coloque el cargador en un lugar alejado de cualquier fuente de calor. El cargador se ventila a través de las ranuras que se encuentran en la parte superior e inferior de la caja protectora.

- **No opere el cargador si su cable o enchufe están dañados**—reemplácelos de inmediato.
- **No opere el cargador si ha recibido un golpe agudo, si se ha caído o si ha sido dañado de alguna otra forma.** Llévelo a un centro de servicio autorizado.
- **No desarme el cargador; llévelo a un centro de servicio autorizado cuando deba ser reparado.** Si es reensamblado incorrectamente, puede causar descargas eléctricas, electrocución o incendios.
- **Desenchufe el cargador antes de intentar limpiarlo.** Esto reducirá el riesgo de descargas eléctricas. El retirar el paquete de baterías no reducirá este riesgo.
- **NUNCA** intente conectar 2 cargadores entre sí.
- **El cargador está diseñado para operar con una corriente eléctrica estándar residencial de 120 V. No intente usarlo con ningún otro voltaje.** Esto no aplica al cargador vehicular.

**⚠ ADVERTENCIA:** Peligro de descarga eléctrica. No permita que ningún líquido se introduzca en el cargador. Puede producir descargas eléctricas.

**⚠ ADVERTENCIA:** Peligro de quemaduras. No sumerja la unidad de batería en líquido de ningún tipo ni permita que se introduzca ningún tipo de líquido a la unidad de batería. Nunca intente abrir la unidad de batería por ningún motivo. Si la caja plástica de la unidad de batería se triza o rompe, llévela a un centro de servicio para su reciclaje.

**⚠ ATENCIÓN:** Peligro de quemaduras. Para reducir el riesgo de lesiones, sólo cargue unidades de batería recargables CRAFTSMAN marca. Otros tipos de batería podrían sobrecalentarse y reventar lo que podría resultar en lesiones corporales y daños a su propiedad.

**⚠ ATENCIÓN:** Bajo ciertas condiciones, cuando el cargador está enchufado a una toma de corriente, el cargador puede hacer cortocircuito si entra en contacto con algún material ajeno. Los materiales ajenos de naturaleza conductora, como el polvo de esmerilado, las placas de metal, la lana de acero, el papel de aluminio y otros, o cualquier acumulación de partículas metálicas deberían mantenerse alejados de las cavidades del cargador. Desenchufe siempre el cargador cuando no haya una unidad de batería en su cavidad. Desenchufe el cargador antes de intentar limpiarlo.

## Carga de la Batería

**NOTA:** Para garantizar el máximo desempeño y la vida útil de los paquetes de baterías de iones de litio, cargue la batería por completo antes del primer uso.

1. Conecte el cargador en un tomacorriente apropiado antes de insertar el paquete de batería.
2. Conecte el cargador y el paquete de baterías, asegurándose que la batería esté completamente asentada. La luz (carga) parpadeará continuamente indicando que el proceso de carga ha comenzado.
3. La terminación de la carga se indicará por la luz que permanece encendida continuamente. El paquete de batería está completamente cargado y se puede retirar y usar en este momento o dejarse en el cargador.

**NOTA:** Para retirar el paquete de la batería, algunos cargadores requieren que se presione el botón de liberación del paquete de batería.

Indicators		
	Unidad en Proceso de Carga	— — — — —
	Unidad Cargada	—————
	Retraso por Unidad Caliente/ Fría	— — — —   —————

Un cargador no cargará una batería defectuosa. El cargador que se niega a encenderse podría indicar un problema con el cargador.

**NOTA:** Si el cargador no quiere encender, lleve el cargador y el paquete de batería para que los prueben en un centro de servicio autorizado.

### Retraso por Batería Caliente/Fría

Cuando el cargador detecta que una batería está demasiado caliente o demasiado fría, inicia automáticamente un Retraso por batería caliente/fría y suspende la carga hasta que la batería alcanza una temperatura adecuada. En ese momento, el cargador inicia automáticamente el modo de carga de la batería. Esta función garantiza la máxima duración de la batería.

Una batería fría puede cargar más lentamente que una batería caliente.

## Notas Importantes Sobre la Carga

1. Se puede obtener una mayor duración y un mejor rendimiento si la unidad de batería se carga a una temperatura ambiente de 18°C–24°C (65°F–75°F). NO cargue cuando el paquete de batería esté debajo de +4,5°C (+40°F), o arriba de +40°C (+104°F). Esto es importante y evitará causar daños graves a la batería.
2. Puede que el cargador y la unidad de batería se calienten ligeramente durante el proceso de carga. Esto es normal y no representa ningún problema. Para facilitar el enfriamiento de la unidad de batería después del uso, evite colocar el cargador o la unidad de batería en un lugar cálido, como un cobertizo metálico o un remolque sin aislamiento térmico.
3. Si la unidad de batería no se carga correctamente:
  - a. Verifique el funcionamiento de la toma enchufando una lámpara u otro aparato;
  - b. Revise que la toma de corriente no esté conectada a un interruptor de luz que corte la corriente cuando se corte la luz;

- c. Mueva el cargador y la unidad de batería a un lugar donde la temperatura ambiental sea aproximadamente 18 °C–24 °C (65 °F–75 °F);
  - d. Si el problema de carga continúa, lleve la herramienta, unidad de batería y el cargador a su centro de servicio local.
4. La unidad de batería debería ser recargada cuando no sea capaz de producir suficiente potencia para trabajos que eran fácilmente realizados antes. NO CONTINÚE usándola bajo estas circunstancias. Siga el procedimiento de carga. También puede cargar una unidad de batería que haya sido usada parcialmente cuando lo desee, sin dañarla.
  5. Los materiales ajenos conductores por naturaleza, tales como, pero sin limitarse a, el polvo del esmerilado, las virutas metálicas, la lana de acero, el papel de aluminio o cualquier acumulación de partículas metálicas deberían mantenerse alejados de las cavidades del cargador. Desenchufe siempre el cargador de la toma de corriente cuando no haya una unidad de batería en su cavidad. Desenchufe el cargador antes de intentar limpiarlo.
  6. No congele ni sumerja el cargador en agua o cualquier otro líquido.

## Instrucciones de Limpieza del Cargador

**⚠ ADVERTENCIA:** *Riesgo de descarga eléctrica. Desconecte el cargador del tomacorriente de CA antes de limpiarlo. Para limpiar la suciedad y grasa del exterior del cargador puede usarse un paño o cepillo suave no metálico. No use agua ni soluciones limpiadoras.*

## Montaje en la Pared

Estos cargadores están diseñados para montarse en la pared o colocarse en posición vertical sobre una mesa o superficie de trabajo. Si lo monta en la pared, coloque el cargador al alcance de una toma de corriente eléctrica y alejado de las esquinas u otras obstrucciones que puedan impedir el flujo de aire. Utilice la parte de atrás del cargador como plantilla para la ubicación de los tornillos de montaje en la pared. Monte el cargador firmemente utilizando tornillos para muro seco (comprados por separado) de un mínimo de 25,4 mm (1") de largo, con una cabeza de un diámetro de 7-9 mm (0,28–0,35"), atornillados en madera hasta una profundidad óptima dejando el tornillo expuesto aproximadamente 5,5 mm (7/32"). Alinee las ranuras en la parte trasera del cargador con los tornillos expuestos e introdúzcalos totalmente en las ranuras.

## Versatrack™

Los cargadores CRAFTSMAN pueden montarse en la pared con VersaTrack™ Trackwall de CRAFTSMAN. Los ganchos y accesorios se venden por separado. Consulte la hoja de accesorios VersaTrack™ Trackwall para obtener más información.

# GUARDE ESTAS INSTRUCCIONES PARA VOLVER A CONSULTAR EN EL FUTURO

## COMPONENTES (FIG. A)

### Uso Debido

Esta podadora de cuerda está diseñada para aplicaciones de poda y bordeado domésticas.

**NO** utilice la herramienta en condiciones de humedad o en presencia de líquidos o gases inflamables.

**NO** permita que los niños toquen la herramienta. Si el operador no tiene experiencia operando esta herramienta, su uso deberá ser supervisado.

## MONTAJE Y AJUSTES

**⚠ ADVERTENCIA:** *Para reducir el riesgo de lesiones personales, apague la unidad y retire el paquete de batería antes de realizar cualquier ajuste o retirar/instalar conexiones o accesorios, cuando reemplace la línea, o antes de la limpieza. Una activación de arranque accidental puede causar lesiones.*

## Colocación de Protección (Fig. B, C)

**⚠ ADVERTENCIA:** *Nunca retire la protección. Podría resultar en daño o lesiones personales.*

**⚠ ADVERTENCIA:** **NUNCA OPERE EL APARATO SIN LA PROTECCIÓN FIRMEMENTE EN SU LUGAR.** *La protección siempre debe estar conectada adecuadamente en el aparato para proteger al usuario.*

1. Retire el tornillo de la protección **16**.
2. Deslice la protección **11** completamente en el cabezal de la podadora **8**. Asegúrese que las lengüetas **17** en la protección conecten las costillas en la cabeza de la podadora.
3. Continúe deslizando la protección hasta que "se conecte" en su lugar. La lengüeta de bloqueo debe encajar en la ranura del alojamiento.
4. Con un destornillador de cruz, inserte el tornillo de la protección y apriételo firmemente.

- Una vez instalado el protector, retire la cubierta de la hoja de corte de la cuerda ubicada en el extremo del protector.

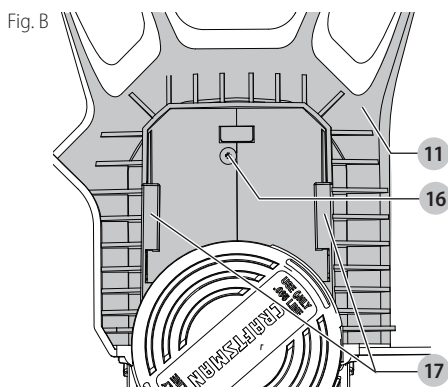
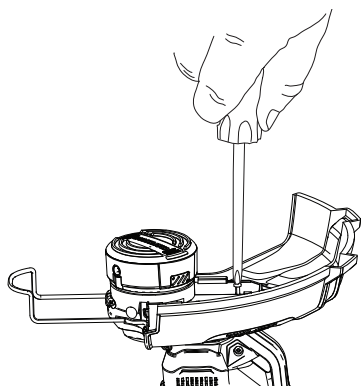


Fig. C



### Colocación del Mango Auxiliar (Fig. D)

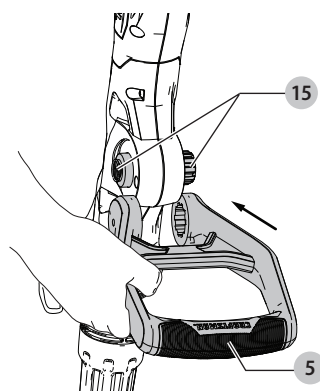
Para algunos modelos, es posible que sea necesario colocar la manija auxiliar. Si el modelo necesita la manija auxiliar conectada, consulte estas instrucciones.

- Para colocar el manija auxiliar **5**, presione los botones **15** de ambos lados de la cubierta superior como se muestra en la Figura D.
- Coloque el mango como se muestra en la Figura D. Presione parcialmente el mango de manera que se retengan los botones cuando los suelta con su mano.
- Presione completamente el mango sobre la cubierta y muévelo ligeramente hasta que lo oiga encajar en su lugar.

**NOTA:** Para ajustar el mango hacia arriba o hacia abajo, presione el botón y eleve o baje el mango.

**NOTA:** El mango se debe ajustar de manera que el brazo delantero esté recto cuando la podadora esté en posición de trabajo.

Fig. D

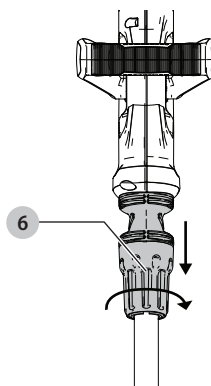


### Ajuste de Altura (Fig. E)

**⚠ ATENCIÓN:** Ajuste la longitud de la recortadora para obtener puestos de trabajo adecuados.

- La altura de la podadora puede ajustarse aflojando el anillo de ajuste de altura **6** girándolo en la dirección de la flecha como se muestra en la Figura E.
- Mueva la cubierta superior en línea recta hacia arriba o hacia abajo. Al alcanzar la altura deseada, ajuste el anillo girándolo en la dirección contraria a la que se muestra en la Figura E.

Fig. E



### Liberación de la Cuerda De Corte (Fig. A)

Al despacharse de la fábrica, la cuerda de corte está sujeta con cinta a la cubierta del carrete **10**.

- Quite la cinta que sujeta la cuerda de corte a la cubierta del carrete.

## OPERACIÓN

**⚠ ADVERTENCIA:** Para reducir el riesgo de lesiones personales, apague la unidad y retire el paquete de batería antes de realizar cualquier ajuste o retirar/instalar conexiones o accesorios, cuando reemplace la línea, o antes de la limpieza. Una activación de arranque accidental puede causar lesiones.

**⚠ ADVERTENCIA:** Utilice siempre protección adecuada para los ojos que cumple con la norma ANSI Z87.1 (CAN/CSA Z94.3) mientras opera esta herramienta.

**⚠ ADVERTENCIA:** Antes de realizar cualquier ensamblaje, ajuste o cambio de accesorios, desconecte el enchufe de la fuente de alimentación. Dichas medidas de seguridad preventiva reducen el riesgo de encender la herramienta en forma accidentada.

**⚠ ATENCIÓN:** Antes de comenzar a podar, asegúrese de utilizar únicamente el tipo adecuado de cuerda de corte.

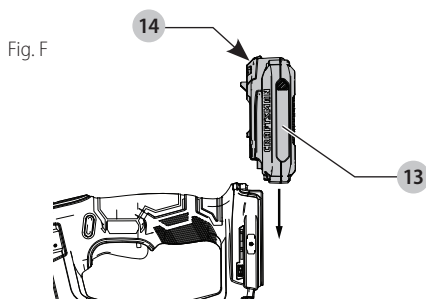
**⚠ ATENCIÓN:** Inspeccione el área por cortar y saque los alambres, cables u objetos similares a un cordel, que podrían enredarse en la cuerda giratoria o el carrete. Tenga especial precaución a fin de evitar cables que estén doblados hacia afuera del trayecto de la herramienta, como las púas en la base de un alambre de púas.

### Cómo Instalar y Retirar la Unidad de Batería (Fig. F)

**NOTA:** Para mejores resultados, verifique que su unidad de batería esté completamente cargada.

Para instalar la unidad de batería **13** en el mango de la herramienta, alinee la unidad de batería con los rieles en el interior del mango de la herramienta y deslícela en el mango hasta que la unidad de batería quede firmemente insertada en la herramienta; verifique que ésta no se salga sola.

Para retirar la unidad de batería de la herramienta, presione el botón de liberación **14** y tire firmemente de la de batería para sacarla del mango de la herramienta. Insértela en el cargador tal como se describe en la sección del cargador de este manual.



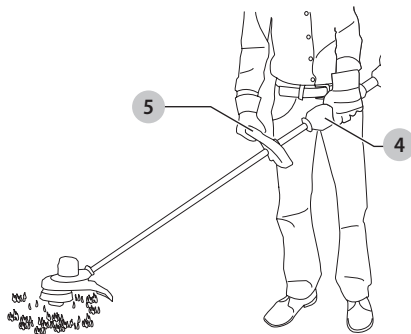
### Posición Adecuada de las Manos (Fig. G)

**⚠ ADVERTENCIA:** Para reducir el riesgo de lesión personal grave, tenga **SIEMPRE** las manos en una posición adecuada como se muestra.

**⚠ ADVERTENCIA:** Para reducir el riesgo de lesión personal grave, sujete **SIEMPRE** bien en caso de que haya una reacción repentina.

La posición de manos adecuada requiere una mano en la manija principal **4** y la otra sobre la manija auxiliar **5**.

Fig. G



### Encendido y Apagado de la Podadora (Fig. A)

**⚠ ADVERTENCIA:** Nunca intente bloquear el gatillo en la posición de encendido.

Para encender el aparato, presione el botón de bloqueo **2** y después el gatillo de encendido/apagado **1**. Una vez que la unidad esté en operación, puede liberar la palanca de bloqueo de apagado. Para apagar el aparato, libere el gatillo de encendido/apagado.

### Interruptor de Control de Velocidad (Fig. A)

Esta podadora de cuerda le brinda la opción de funcionar a una velocidad más eficiente para prolongar el tiempo de

funcionamiento para trabajos más grandes o de acelerar la velocidad de la podadora para cortes de alto rendimiento.

**Para prolongar el tiempo de funcionamiento,** tire del interruptor de control de velocidad hacia atrás en dirección a la caja de la batería **12** a la posición "LO". Este modo es el mejor para proyectos más grandes que requieren más tiempo para completarse.

**Para acelerar la podadora,** oprima el interruptor de control de velocidad **3** hacia adelante en dirección al mango auxiliar **4** a la posición "HI". Este modo es el mejor para cortar a través de una vegetación más densa y para aplicaciones que necesitan una mayor cantidad de RPM.

**NOTA:** En el modo "HI", el tiempo de funcionamiento disminuirá en comparación con la podadora en el modo "LO".

## Poda (Fig. H, I)

Con la podadora encendida, inclínela en un ángulo y muévala de lado a lado como se muestra en la Figura H. Mantenga un ángulo de corte de 5° a 10° como se muestra en la Figura I. No exceda los 10°. Corte con la punta de la cuerda.

Mantenga una distancia mínima de 610 mm (24") entre el protector y sus pies como se muestra en la Figura I.

Fig. H

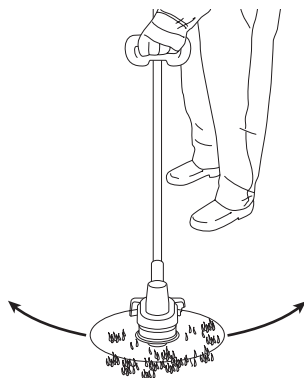
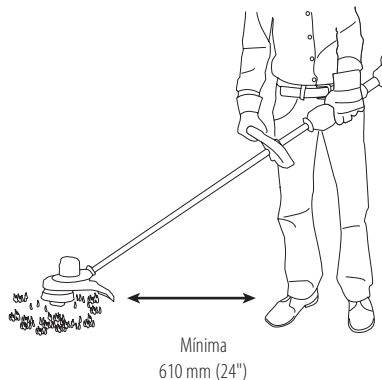


Fig. I



## Conversión al Modo de Bordeado (Fig. J)

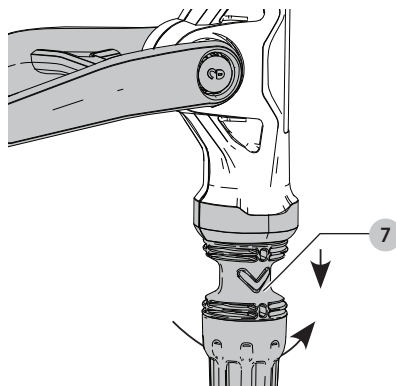
**⚠ ATENCIÓN:** La guía del borde del cable sólo debe usarse cuando se encuentre en el modo de borde.

La podadora se puede utilizar en el modo de recorte o el modo de borde para recortar el césped colgante a lo largo de los bordes del césped y las jardineras. Para convertir la podadora a modo de bordes:

1. Retire la batería de la podadora.
2. Sujete el collar de punta a punta **7** y jale hacia abajo como se muestra en la Figura J.
3. Gire el collar de punta a punta 180° en el sentido contrario a las manecillas del reloj, como se muestra en la Figura J, hasta que la manija se vuelva a conectar en la mitad superior de la podadora.
4. Para volver a la posición de corte, jale hacia arriba del collar de giro hacia arriba y gire el cabezal hacia la derecha hasta su posición original.

**NOTA:** Observará un desgaste de la cuerda de corte más rápido de lo normal si la podadora se coloca directamente sobre la acera o superficie abrasiva.

Fig. J



## Operación de Modo de Bordeado (Fig. A, H)

**⚠ ADVERTENCIA:** Cuando se utiliza como un Edger, piedras, trozos de metal y otros objetos que pueden ser lanzados a gran velocidad por la línea. El corte y la protección están diseñados para reducir el peligro.

Sin embargo, asegúrese de que las demás personas y los animales domésticos por lo menos 30m (100') de distancia. Los resultados óptimos de corte se obtienen en bordes de más de 50 mm (2") de profundidad.

- No utilice esta herramienta para crear bordes o zanjas.
- Utilizando la rueda de bordeado **9**, guíe la herramienta.

- Coloque el borde de la rueda en el borde de la acera o superficie abrasiva para que la línea de corte esté sobre el área de césped o tierra que se superó
- Para hacer un corte más al ras, incline levemente la herramienta.

### Consejos Útiles Para Cortar (Fig. K)

- Utilice la punta de la cuerda para hacer el corte; no fuerce la cabeza de la cuerda en césped sin cortar. Use la guía de borde a lo largo de cosas como cercas, casas y jardineras como una mejor práctica.
- Los cercos de alambre y de estacas provocan un mayor desgaste de la cuerda e incluso su rotura. Los muros de piedra y ladrillo, las cunetas y la madera pueden desgastar la cuerda rápidamente.
- No permita que la tapa del carrete se arrastre sobre el suelo u otras superficies.
- En crecimientos largos, corte desde arriba hacia abajo y no exceda una altura de 304,8 mm (12").
- Mantenga la podadora inclinada hacia el área que se corta; ésta es la mejor área de corte.
- La podadora corta al mover la unidad de izquierda a derecha. Esto evitará que se arrojen restos al usuario.
- Evite árboles y arbustos. La cuerda fácilmente puede dañar la corteza de árboles, las molduras de madera, los revestimientos exteriores y los pilares de cercos.

### Cuerda de Corte/Alimentación de la Cuerda

Su podadora utiliza una cuerda de nailon REDONDA de 1,65 mm (0,065") de diámetro. Durante el uso, las puntas de las cuerdas de nailon se deshilarán y desgastarán, y la bobina de la cuerda de alimentación especial se autoalimentará y recortará la cuerda automáticamente para proporcionar una punta nueva. La cuerda de corte se desgastará más rápido y necesitará más alimentación si el corte o el bordeado se realizan cerca de aceras u otras superficies abrasivas, o si se cortan malezas más espesas. El mecanismo avanzado de alimentación automática de la cuerda detecta cuándo se necesita más cuerda de corte y alimenta y corta la longitud correcta de cuerda según sea necesario. No golpee la unidad al intentar alimentar una cuerda ni por algún otro motivo.

### Eliminación de Atascos y Cuerdas Enredadas (Fig. K)

**⚠ ADVERTENCIA:** Antes de realizar cualquier ensamblaje, ajuste o cambio de accesorios, desconecte el enchufe de la fuente de alimentación. Dichas medidas de seguridad preventiva reducen el riesgo de encender la herramienta en forma accidental.

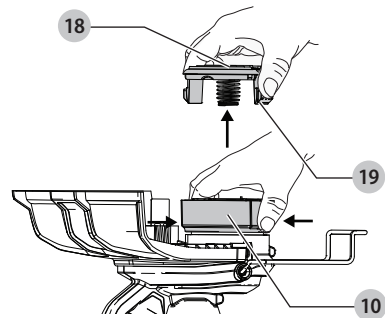
Cada cierto tiempo, especialmente al cortar malezas frondosas o con mucho tallo, el cubo de alimentación de la cuerda puede obstruirse con savia u otro material y como

resultado la cuerda se atascará. Para eliminar el atasco, siga los pasos indicados a continuación.

**⚠ ATENCIÓN:** Para evitar que se dañe el aparato, si la cuerda de corte sobresale más allá de la hoja de recorte, córtela de manera que llegue solo hasta la hoja.

1. Quite la batería de la podadora.
2. Presione las lengüetas de liberación **19** en la tapa del carrete **18** y retire la tapa del carrete del alojamiento del carrete **10** (Figura K).
3. Saque el carrete de la cuerda de nailon y elimine toda cuerda rota o residuos de corte del área del carrete.
4. Coloque el carrete y la cuerda en la tapa del carrete con la cuerda inserta dentro de las ranuras provistas.
5. Inserte el extremo de la cuerda a través del orificio correspondiente en la tapa del carrete. Tire de la cuerda sobrante hasta que esta salga por las ranuras de retención.
6. Empuje el carrete CON DELICADEZA hacia abajo y gírelo hasta que sienta que encaja en su lugar y luego presiónelo para asegurarlo hasta que se produzca un chasquido. (Una vez asegurado, el carrete girará libremente algunos grados a la izquierda y a la derecha).
7. Tenga cuidado para evitar que la cuerda quede atrapada bajo el carrete.
8. Coloque el carrete en el aparato como se describe en **Reemplazo de ensamble de carrete**.

Fig. K



### Reemplazo de ensamble de carrete (Fig. K, L)

**⚠ ADVERTENCIA:** El uso de cualquier accesorio no recomendado por CRAFTSMAN para uso con este aparato podría ser peligroso.

**⚠ ADVERTENCIA:** No use ninguna cuchilla ni ningún accesorio o conexión que no sean los recomendados por CRAFTSMAN en esta podadora. Se pueden producir lesiones graves o daños al producto.

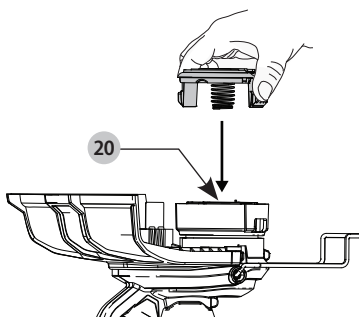


Vuelva a cargar la línea de nylon (ya sea a granel o del carrete de reemplazo pre-enrollado) como se muestra en este manual.

SÓLO USE LÍNEA DE NYLON REDONDA DE 1.65 mm (.065") DE DIÁMETRO. No utilice una línea de calibre serrado o más grueso, ya que sobrecargarán el motor y causarán sobrecalentamiento. Esta línea está disponible en su distribuidor local o centro de servicio autorizado.

1. Retire la batería del aparato.
2. Presione las lengüetas de liberación **19** en la tapa del carrete **18** y retire la tapa del carrete del alojamiento del carrete **10** (Figura K).
3. Para obtener los mejores resultados, reemplace el carrete con CRAFTSMAN Modelo # CMZST065.
4. Si la palanca en la base del alojamiento se desprende, vuelva a colocarla en la posición correcta antes de insertar el nuevo carrete en el alojamiento.
5. Retire la suciedad y el césped de la tapa del carrete y el alojamiento del carrete.
6. Afloje el extremo de la línea de corte y guíe la línea dentro del ojal.
7. Tome el nuevo carrete y empujelo sobre el borde **20** en el alojamiento. Gire el carrete ligeramente hasta que se asiente.
8. La línea debe sobresalir aproximadamente a 136 mm (5-3/8") del alojamiento.
9. Alinee las lengüetas de liberación de la tapa del carrete con las ranuras en el alojamiento del carrete.
10. Vuelva a colocar la tapa del carrete presionando las lengüetas de liberación y presionando en la cubierta del carrete.
11. Empuje la tapa dentro de la cubierta hasta que encaje firmemente en su lugar.

Fig. L



**NOTA:** Asegúrese que la cubierta esté completamente colocada, escuche dos clics audibles para asegurarse que ambas pestañas de liberación estén ubicadas correctamente. Encienda la herramienta. En unos segundos o menos, escuchará cómo la cuerda de nailon se corta automáticamente a la longitud adecuada.

**NOTA:** Otras partes de repuesto (protecciones, tapas de carretes, etc.) están disponibles a través de los centros de

servicio autorizados. Para encontrar su ubicación de servicio local, llame al: 1-888-331-4569 o visite [www.craftsman.com](http://www.craftsman.com).

## ENROLLADO DEL CARRETE CON CUERDA A GRANEL (utilice sólo cuerda REDONDA de 1,65 mm (0,065 pulgada) de diámetro) (Fig. A, M, N)

También puede comprar cuerda a granel en el comercio minorista local. **NOTA:** Es probable que los carretes enrollados a mano con una cuerda a granel se enreden con mayor frecuencia que los carretes de CRAFTSMAN enrollados de fábrica. Para mejores resultados, se recomiendan los carretes enrollados de fábrica.

1. Retire la batería del aparato.
2. Retire el carrete vacío del aparato como se describe en **Reemplazo de ensamble de carrete**.
3. Retire cualquier línea de corte restante del carrete.
4. Realice un pliegue en el extremo de la línea de corte a aproximadamente 19 mm (3/4") **21**. Alimente la línea de corte en una de las ranuras de anclaje de línea **22**.
5. Inserte el extremo de 19 mm (3/4") de la línea a granel en el orificio **23** en el carrete adyacente a la ranura. Asegúrese que la línea quede apretada contra el carrete.
6. Enrolle la línea de corte en el carrete en la dirección de la flecha en el carrete. Asegúrese de enrollar la línea en forma ordenada y en capas. No entrecruce.
7. Cuando la línea de corte enrollada alcance los hundimientos **24**, corte la línea.
8. Coloque el carrete en el aparato como se describe en **Reemplazo de ensamble de carrete**.

Fig. M

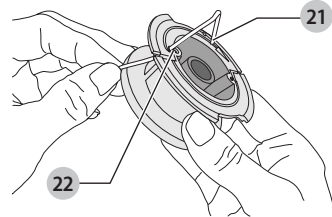
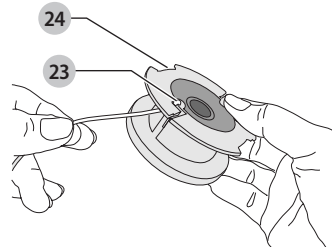


Fig. N



## MANTENIMIENTO

**⚠ ADVERTENCIA:** Para reducir el riesgo de lesiones personales, apague la unidad y retire el paquete de batería antes de realizar cualquier ajuste o retirar/instalar conexiones o accesorios, cuando reemplace la línea, o antes de la limpieza. Una activación de arranque accidental puede causar lesiones.

### Accesorios

**⚠ ADVERTENCIA:** Debido a que no se han probado con este producto otros accesorios que no sean los que ofrece CRAFTSMAN, el uso de dichos accesorios con esta herramienta podría ser peligroso. Para reducir el riesgo de lesiones, con este producto deben usarse sólo los accesorios recomendados por CRAFTSMAN.

Los accesorios que se recomiendan para utilizar con la herramienta están disponibles a un costo adicional en su distribuidor local o en un centro de mantenimiento autorizado. Si necesita ayuda para localizar algún accesorio, póngase en contacto con CRAFTSMAN, o visite nuestro sitio web: **1-888-331-4569**.

### Versatrack™ (Fig. O)

**⚠ ADVERTENCIA:** Para reducir el riesgo de lesiones personales, apague la unidad y retire el paquete de batería antes de realizar cualquier ajuste o retirar/instalar conexiones o accesorios. Un arranque accidental puede causar lesiones.

**⚠ ADVERTENCIA:** Para reducir el riesgo de lesiones personales graves, no use un gancho para colgar integral Versatrack™ o Trackwall de Versatrack™ dañados. Un gancho para colgar integral Versatrack™ o Trackwall de Versatrack™ dañados no soportarán el peso de la herramienta.

**⚠ ADVERTENCIA:** Para reducir el riesgo de lesiones personales graves, NO suspenda la herramienta por encima ni cuelgue objetos del gancho integral. SÓLO suspenda la herramienta en el Trackwall de Versatrack™ con el gancho para colgar integral.

**⚠ ADVERTENCIA:** El gancho integral para colgar Versatrack™ está diseñado para montar la herramienta en un riel Trackwall de Versatrack™. No use el gancho de colgar integral para montar la herramienta en ninguna otra superficie.

**⚠ ADVERTENCIA:** El gancho de colgar integral Versatrack™ no es un gancho de cinturón.

**⚠ ADVERTENCIA:** Cuando cuelgue objetos en el riel Trackwall de Versatrack™, espaciar adecuadamente las herramientas para no exceder 35 kg (75 lbs) por pie lineal.

**⚠ ADVERTENCIA:** Antes de usar la herramienta, asegúrese que el gancho de colgar integral Versatrack™ vuelva a su posición original

**IMPORTANTE:** Los accesorios Versatrack™ se instalan en herramientas compatibles de forma segura en el sistema Trackwall de Versatrack™.

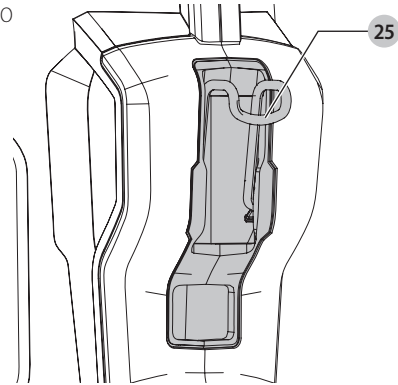
1. Apague la herramienta, retire la batería y retire los accesorios.

**⚠ ATENCIÓN:** Cualquier producto con dientes de corte expuestos debe tenerlos cubiertos de forma segura si va a estar en el Trackwall de Versatrack™.

2. Monte el gancho de colgar integral **125** en el Trackwall de Versatrack™.

**NOTA:** Los accesorios Versatrack™ para uso con su herramienta están disponibles por un costo adicional a partir de su distribuidor local o centro de servicio autorizado. Si necesita ayuda para encontrar cualquier accesorio, comuníquese con CRAFTSMAN, llame al **1-888-331-4569**.

Fig. O



### Limpieza

**⚠ ADVERTENCIA:** Sople la suciedad y el polvo de todos los conductos de ventilación con aire seco, al menos una vez por semana. Para reducir el riesgo de lesiones, utilice siempre protección para los ojos aprobada ANSI Z87.1 al realizar esta tarea.



**ADVERTENCIA:** *Nunca utilice solventes ni otros químicos abrasivos para limpiar las piezas no metálicas de la herramienta. Estos productos químicos pueden debilitar los materiales plásticos utilizados en estas piezas. Utilice un paño humedecido sólo con agua y jabón neutro. Nunca permita que penetre líquido dentro de la herramienta ni sumerja ninguna de las piezas en un líquido.*

### Reparaciones

El Cargador y las unidades de batería no pueden ser reparados. El cargador y la unidad de batería no contienen piezas reparables.



**ADVERTENCIA:** *Para asegurar la SEGURIDAD y la CONFIABILIDAD del producto, las reparaciones, el mantenimiento y los ajustes (inclusive la inspección y el cambio de las escobillas, cuando proceda) deben ser realizados en un centro de mantenimiento en la fábrica CRAFTSMAN u en un centro de mantenimiento autorizado CRAFTSMAN. Utilice siempre piezas de repuesto idénticas.*

**Para reparación y servicio de sus herramientas eléctricas, favor de dirigirse al Centro de Servicio más cercano**

#### CULIACAN, SIN

Blvd. Emiliano Zapata 5400-1 Poniente Col. (667) 717 89 99  
San Rafael

#### GUADALAJARA, JAL

Av. La Paz #1779 - Col. Americana Sector (33) 3825 6978  
Juárez

#### MEXICO, D.F.

Eje Central Lázaro Cárdenas No. 18 - Local (55) 5588 9377  
D, Col. Obrera

#### MERIDA, YUC

Calle 63 #459-A - Col. Centro (999) 928 5038

#### MONTERREY, N.L.

Av. Francisco I. Madero 831 Poniente - Col. (818) 375 23 13  
Centro

#### PUEBLA, PUE

17 Norte #205 - Col. Centro (222) 246 3714

#### QUERETARO, QRO

Av. San Roque 274 - Col. San Gregorio (442) 2 17 63 14

#### SAN LUIS POTOSI, SLP

Av. Universidad 1525 - Col. San Luis (444) 814 2383

#### TORREON, COAH

Blvd. Independencia, 96 Pte. - Col. Centro (871) 716 5265

#### VERACRUZ, VER

Prolongación Díaz Mirón #4280 - Col. (229) 921 7016  
Remes

#### VILLAHERMOSA, TAB

Constitución 516-A - Col. Centro (993) 312 5111

**PARA OTRAS LOCALIDADES:**

**Si se encuentra en México, por favor llame al  
(55) 5326 7100**

**Si se encuentra en U.S., por favor llame al  
1-888-331-4569**

### Póliza de Garantía

IDENTIFICACIÓN DEL PRODUCTO:

Sello o firma del Distribuidor.

Nombre del producto: \_\_\_\_\_

Mod./Cat.: \_\_\_\_\_

Marca: \_\_\_\_\_

Núm. de serie: \_\_\_\_\_

(Datos para ser llenados por el distribuidor)

Fecha de compra y/o entrega del producto: \_\_\_\_\_

Nombre y domicilio del distribuidor donde se adquirió el producto: \_\_\_\_\_

Este producto está garantizado por un año a partir de la fecha de entrega, contra cualquier defecto en su funcionamiento, así como en materiales y mano de obra empleados para su fabricación. Nuestra garantía incluye la reparación o reposición del producto y/o componentes sin cargo alguno para el cliente, incluyendo mano de obra, así como los gastos de transportación razonablemente erogados derivados del cumplimiento de este certificado. Para hacer efectiva esta garantía deberá presentar su herramienta y esta póliza sellada por el establecimiento comercial donde se adquirió el producto, de no contar con ésta, bastará la factura de compra.

### Excepciones

Esta garantía no será válida en los siguientes casos:

- Cuando el producto se hubiese utilizado en condiciones distintas a las normales;
- Cuando el producto no hubiese sido operado de acuerdo con el instructivo de uso que se acompaña;
- Cuando el producto hubiese sido alterado o reparado por personas distintas a las enlistadas al final de este certificado.

Anexo encontrará una relación de sucursales de servicio de fábrica, centros de servicio autorizados y franquiciados en la República Mexicana, donde podrá hacer efectiva su garantía y adquirir partes, refacciones y accesorios originales.

Solamente para propósito de México:

Importado por: Craftsman. Tool Co. S.A. de C.V.  
Avenida Antonio Dovali Jaime, # 70 Torre B Piso 9

Colonia La Fe, Santa Fé

Código Postal : 01210

Delegación Alvaro Obregón

México D.F.

Tel. (52) 555-326-7100

R.F.C.: BDE810626-1W7

## Registro en Línea

Gracias por su compra. Registre su producto ahora para:

- **SERVICIO EN GARANTÍA:** Si completa esta tarjeta, podrá obtener un servicio en garantía más eficiente, en caso de que exista un problema con su producto.
- **CONFIRMACIÓN DE PROPIEDAD:** En caso de una pérdida que cubra el seguro, como un incendio, una inundación o un robo, el registro de propiedad servirá como comprobante de compra.
- **PARA SU SEGURIDAD:** Si registra el producto, podremos comunicarnos con usted en el caso improbable que se deba enviar una notificación de seguridad conforme a la Federal Consumer Safety Act (Ley Federal de Seguridad de Productos para el Consumidor).

Registro en línea en [www.craftsman.com/registration](http://www.craftsman.com/registration).

## Garantía Limitada por Tres Años

CRAFTSMAN reparará o reemplazará, sin cargo, cualquier defecto debido a materiales o mano de obra defectuosos por tres años desde la fecha de compra (dos años para las baterías). Esta garantía no cubre falla de partes debido al desgaste normal o abuso de la herramienta. Para detalles adicionales de la cobertura de la garantía e información de reparación de garantía, visite [www.craftsman.com](http://www.craftsman.com) o llame al **1-888-331-4569**. Esta garantía no se aplica a accesorios o daño causado cuando otros hayan realizado o intentado reparaciones. ESTA GARANTÍA LIMITADA SE OTORGA EN LUGAR DE TODAS LAS DEMÁS, INCLUIDA LA GARANTÍA IMPLÍCITA DE COMERCIABILIDAD E IDONEIDAD PARA UN PROPÓSITO EN PARTICULAR, Y EXCLUYE TODOS LOS DAÑOS INCIDENTALES O EN CONSECUENCIA. Algunos estados no permiten limitaciones sobre la duración de una garantía implícita o la exclusión o limitación de daños incidentales o en consecuencia, por lo que estas limitaciones pueden no aplicarse en su caso. Esta garantía le da derechos legales específicos y puede tener otros derechos que varían en ciertos estados o provincias..

### 2 AÑOS DE SERVICIO GRATUITO PARA UNIDADES DE ALIMENTACIÓN CRAFTSMAN

CMCB201, CMCB2011

### 3 AÑOS DE SERVICIO GRATUITO PARA UNIDADES DE ALIMENTACIÓN CRAFTSMAN

CMCB202, CMCB204

**NOTA:** La garantía del producto quedará nula si la unidad de batería ha sido alterada de cualquier manera. CRAFTSMAN no es responsable de ninguna lesión causada por alteraciones y podría iniciar un procedimiento judicial por fraude de garantía hasta el máximo grado permisible por la ley.

### GARANTÍA DE REEMBOLSO DE SU DINERO POR 90 DÍAS

Si no está completamente satisfecho con el desempeño de su máquina herramienta o clavadora CRAFTSMAN, cualquiera sea el motivo, podrá devolverlo hasta 90 días de la fecha de compra con su recibo y obtener el reembolso

completo de su dinero – sin necesidad de responder a ninguna pregunta.

**AMÉRICA LATINA:** Esta garantía no se aplica a los productos que se venden en América Latina. Para los productos que se venden en América Latina, debe consultar la información de la garantía específica del país que viene en el empaque, llamar a la compañía local o visitar el sitio Web a fin de obtener esa información.

### REEMPLAZO GRATUITO DE LAS ETIQUETAS DE

**ADVERTENCIAS:** Si sus etiquetas de advertencia se vuelven ilegibles o faltan, llame al **1-888-331-4569** para que se le reemplacen gratuitamente.

## CRAFTSMAN BATTERY AND CHARGER SYSTEMS

### Chargers . Chargeurs . Cargadores de baterías

Battery Cat #	Output Voltage	Charger		
		CMCB100	CMCB102	CMCB104
CMCB201	20	C	C	C
CMCB2011	20	C	C	C
CMCB202	20	C	C	C
CMCB204	20	C	C	C

"C" Indicates that the battery pack is compatible with that specific charger. Read the instruction manual for more specific information.

"C" indique que le bloc-piles est compatible avec ce chargeur. Lire le manuel d'utilisation pour obtenir des renseignements plus précis.

Una "C" indica que el paquete de baterías es compatible con ese determinado cargador. Lea el manual de instrucciones para obtener información más precisa.

\* *Maximum initial battery voltage (measured without a workload) is 20 volts. Nominal voltage is 18.*

\* *La tension initiale maximum du bloc-piles (mesurée à vide) est de 20 volts. La tension nominale est de 18.*

\* *El máximo voltaje inicial de la batería (medido sin carga de trabajo) es 20 voltios. El voltaje nominal es de 18.*