

CRAFTSMAN®

INSTRUCTION MANUAL

GUIDE D'UTILISATION

MANUAL DE INSTRUCCIONES

20V Max* Cordless 30° Paper Collated Framing Nailer
Cloueuse de charpente sans fil 20 V max* à bande de papier de clous à 30°
Pistola de Clavos de Marco Unido de Papel de 30° Inalámbrica 20 V Máx*

CMCN630PT



IF YOU HAVE QUESTIONS OR COMMENTS, CONTACT US.
POUR TOUTE QUESTION OU TOUT COMMENTAIRE, NOUS CONTACTER.
SI TIENE DUDAS O COMENTARIOS, CONTÁCTENOS.

1-888-331-4569

WWW.CRAFTSMAN.COM

English (**original instructions**)

5

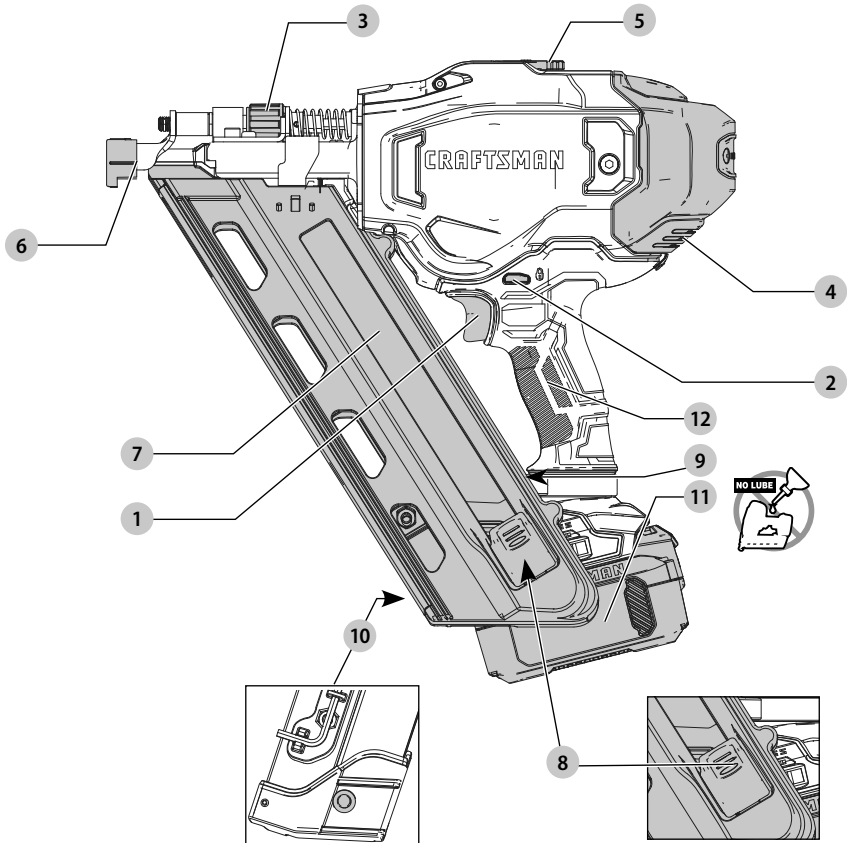
Français (*traduction de la notice d'instructions originale*)

18

Español (*traducido de las instrucciones originales*)

33

Fig. A



Components

- 1 Trigger
- 2 Trigger lock-off
- 3 Depth adjustment wheel
- 4 Jam/stall indicator light
- 5 Stall release lever
- 6 Contact trip
- 7 Magazine
- 8 Pusher latch
- 9 Rotating rafter hook
- 10 On-board hex wrench
- 11 Battery Pack
- 12 Handle

Composantes

- 1 Gâchette
- 2 Verrouillage de gâchette
- 3 Molette de réglage de profondeur
- 4 Témoin d'indication de blocage
- 5 Levier de désenrayage
- 6 Déclencheur par contact
- 7 Magasin
- 8 Verrou à glissière
- 9 Crochet de ceinture/chevron rotatif
- 10 Clé hexagonale intégrée
- 11 Bloc-piles
- 12 Poignée

Componentes

- 1 Gatillo
- 2 Botón de bloqueo del gatillo
- 3 Rueda de ajuste de profundidad
- 4 Luz indicadora de atasco/ ahogamiento
- 5 Palanca de liberación de parada
- 6 Activador por contacto
- 7 Cargador
- 8 Interruptor selector de modo
- 9 Gancho de arrastre/cinturón giratorio
- 10 Llave hexagonal incorporada
- 11 Batería
- 12 Manija

Fig. B

	75–100% charged Chargé de 75 à 100 % 75–100% cargada
	51–74% charged Chargé de 51 à 74 % 51–74% cargada
	< 50% charged Chargé de < 50 % < 50% cargada
	Pack needs to be charged Le bloc-piles doit être rechargé La batería tiene que cargarse

Fig. C

Indicators	
	Charging Bloc-piles en Cours de Chargement Unidad en Proceso de Carga
	Fully Charged Bloc-piles Chargé Unidad Cargada
	Hot/Cold Pack Delay Suspension de Charge Contre le Chaud/Froid Restraso por Unidad Caliente/ Fría

Fig. D

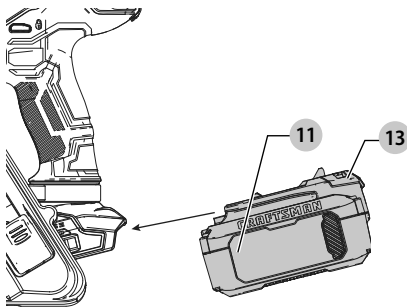


Fig. E

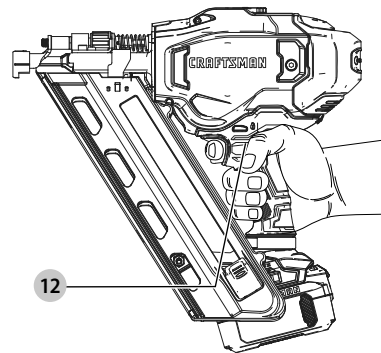


Fig. F

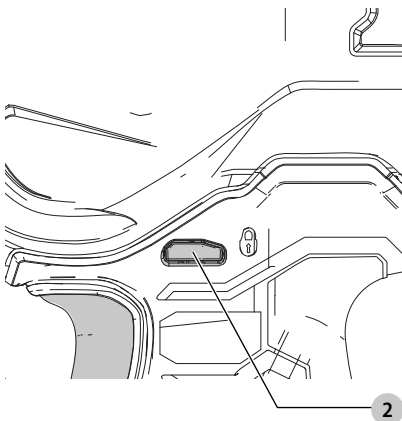


Fig. G

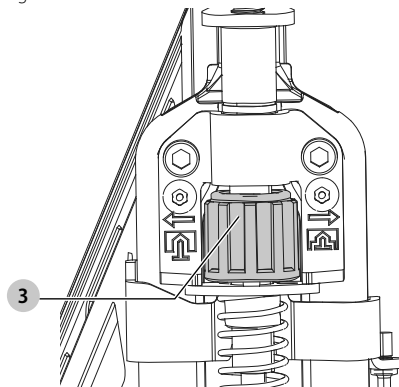


Fig. H

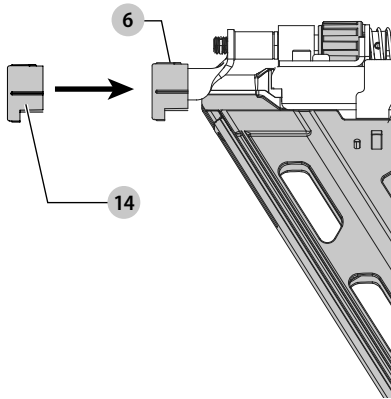


Fig. I

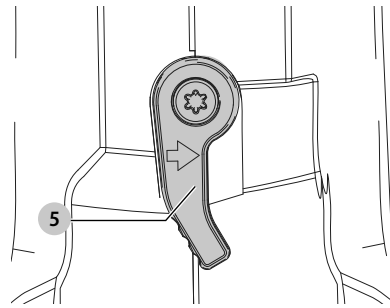


Fig. J

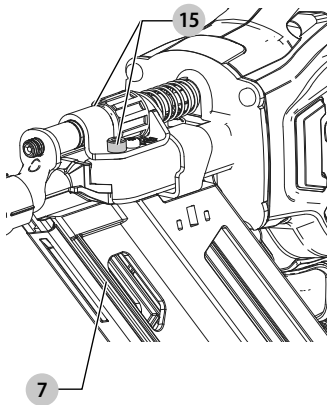


Fig. K

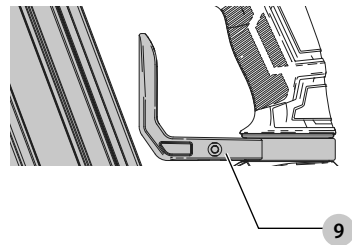


Fig. L

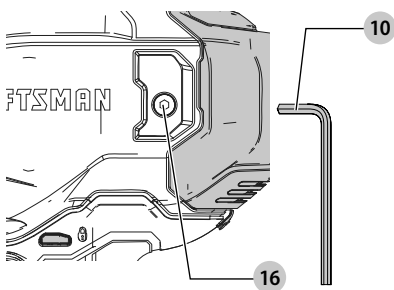


Fig. M

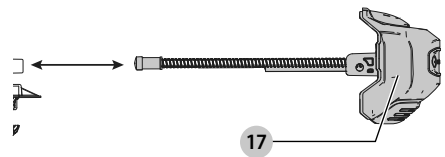


Fig. N

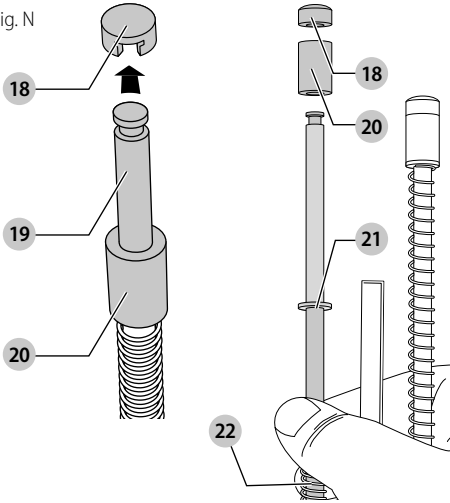


Fig. O

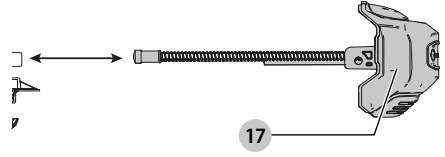


Fig. P

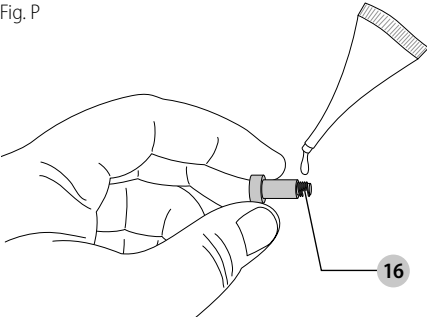


Fig. Q

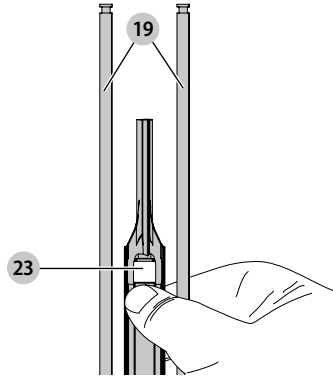
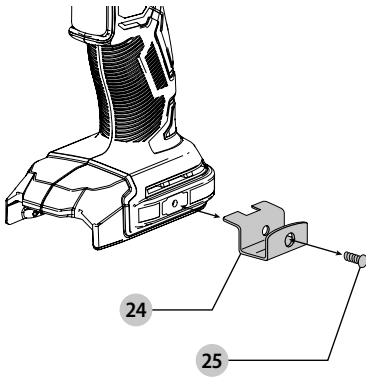


Fig. R





WARNING: Read all safety warnings and all instructions. Failure to follow the warnings and instructions may result in electric shock, fire and/or serious injury.



WARNING: To reduce the risk of injury, read the instruction manual.

Intended Use

The MCM630PT cordless framing nailer has been designed for driving nails into wooden workpieces.

DO NOT use under wet conditions or in presence of flammable liquids or gases.

DO NOT let children come into contact with the tool. Supervision is required when inexperienced operators use this tool.

Definitions: Safety Alert Symbols and Words

This instruction manual uses the following safety alert symbols and words to alert you to hazardous situations and your risk of personal injury or property damage.



DANGER: Indicates an imminently hazardous situation which, if not avoided, **will** result in **death or serious injury**.



WARNING: Indicates a potentially hazardous situation which, if not avoided, **could** result in **death or serious injury**.



CAUTION: Indicates a potentially hazardous situation which, if not avoided, **may** result in **minor or moderate injury**.



(Used without word) Indicates a safety related message.



NOTICE: Indicates a practice **not related to personal injury** which, if not avoided, **may** result in **property damage**.

GENERAL POWER TOOL SAFETY WARNINGS



WARNING: Read all safety warnings, instructions, illustrations and specifications provided with this power tool. Failure to follow all instructions listed below may result in electric shock, fire and/or serious injury.

SAVE ALL WARNINGS AND INSTRUCTIONS FOR FUTURE REFERENCE.

The term "power tool" in the warnings refers to your mains-operated (corded) power tool or battery-operated (cordless) power tool.

1) Work Area Safety

- Keep work area clean and well lit.** Cluttered or dark areas invite accidents.
- Do not operate power tools in explosive atmospheres, such as in the presence of flammable liquids, gases or dust.** Power tools create sparks which may ignite the dust or fumes.
- Keep children and bystanders away while operating a power tool.** Distractions can cause you to lose control.

2) Electrical Safety

- Power tool plugs must match the outlet. Never modify the plug in any way. Do not use any adapter plugs with earthed (grounded) power tools.** Unmodified plugs and matching outlets will reduce risk of electric shock.
- Avoid body contact with earthed or grounded surfaces, such as pipes, radiators, ranges and refrigerators.** There is an increased risk of electric shock if your body is earthed or grounded.
- Do not expose power tools to rain or wet conditions.** Water entering a power tool will increase the risk of electric shock.
- Do not abuse the cord. Never use the cord for carrying, pulling or unplugging the power tool. Keep cord away from heat, oil, sharp edges or moving parts.** Damaged or entangled cords increase the risk of electric shock.
- When operating a power tool outdoors, use an extension cord suitable for outdoor use.** Use of a cord suitable for outdoor use reduces the risk of electric shock.
- If operating a power tool in a damp location is unavoidable, use a ground fault circuit interrupter (GFCI) protected supply.** Use of a GFCI reduces the risk of electric shock.

3) Personal Safety

- Stay alert, watch what you are doing and use common sense when operating a power tool. Do not use a power tool while you are tired or under the influence of drugs, alcohol or medication.** A moment of inattention while operating power tools may result in serious personal injury.
- Use personal protective equipment. Always wear eye protection.** Protective equipment such as a dust mask, non-skid safety shoes, hard hat, or hearing protection used for appropriate conditions will reduce personal injuries.
- Prevent unintentional starting. Ensure the switch is in the off-position before connecting to power source and/or battery pack, picking up or carrying the tool.** Carrying power tools with your finger on the switch or energizing power tools that have the switch on invites accidents.
- Remove any adjusting key or wrench before turning the power tool on.** A wrench or a key left attached to a rotating part of the power tool may result in personal injury.
- Do not overreach. Keep proper footing and balance at all times.** This enables better control of the power tool in unexpected situations.
- Dress properly. Do not wear loose clothing or jewelry. Keep your hair, clothing and gloves away from moving parts.** Loose clothes, jewelry or long hair can be caught in moving parts.
- If devices are provided for the connection of dust extraction and collection facilities, ensure these are connected and properly used.** Use of dust collection can reduce dust-related hazards.

- h) **Do not let familiarity gained from frequent use of tools allow you to become complacent and ignore tool safety principles.** A careless action can cause severe injury within a fraction of a second.

4) Power Tool Use and Care

- a) **Do not force the power tool. Use the correct power tool for your application.** The correct power tool will do the job better and safer at the rate for which it was designed.
- b) **Do not use the power tool if the switch does not turn it on and off.** Any power tool that cannot be controlled with the switch is dangerous and must be repaired.
- c) **Disconnect the plug from the power source and/or remove the battery pack, if detachable, from the power tool before making any adjustments, changing accessories, or storing power tools.** Such preventive safety measures reduce the risk of starting the power tool accidentally.
- d) **Store idle power tools out of the reach of children and do not allow persons unfamiliar with the power tool or these instructions to operate the power tool.** Power tools are dangerous in the hands of untrained users.
- e) **Maintain power tools and accessories. Check for misalignment or binding of moving parts, breakage of parts and any other condition that may affect the power tool's operation. If damaged, have the power tool repaired before use.** Many accidents are caused by poorly maintained power tools.
- f) **Keep cutting tools sharp and clean.** Properly maintained cutting tools with sharp cutting edges are less likely to bind and are easier to control.
- g) **Use the power tool, accessories and tool bits etc. in accordance with these instructions, taking into account the working conditions and the work to be performed.** Use of the power tool for operations different from those intended could result in a hazardous situation.
- h) **Keep handles and grasping surfaces dry, clean and free from oil and grease.** Slippery handles and grasping surfaces do not allow for safe handling and control of the tool in unexpected situations.

5) Battery Tool Use and Care

- a) **Recharge only with the charger specified by the manufacturer.** A charger that is suitable for one type of battery pack may create a risk of fire when used with another battery pack.
- b) **Use power tools only with specifically designated battery packs.** Use of any other battery packs may create a risk of injury and fire.
- c) **When battery pack is not in use, keep it away from other metal objects, like paper clips, coins, keys, nails, screws or other small metal objects, that can make a connection from one terminal to another.** Shorting the battery terminals together may cause burns or a fire.

- d) **Under abusive conditions, liquid may be ejected from the battery; avoid contact. If contact accidentally occurs, flush with water. If liquid contacts eyes, additionally seek medical help.** Liquid ejected from the battery may cause irritation or burns.
- e) **Do not use a battery pack or tool that is damaged or modified.** Damaged or modified batteries may exhibit unpredictable behavior resulting in fire, explosion or risk of injury.
- f) **Do not expose a battery pack or tool to fire or excessive temperature.** Exposure to fire or temperature above 265 °F (130 °C) may cause explosion.
- g) **Follow all charging instructions and do not charge the battery pack or tool outside the temperature range specified in the instructions.** Charging improperly or at temperatures outside the specified range may damage the battery and increase the risk of fire.




6) Service

- a) **Have your power tool serviced by a qualified repair person using only identical replacement parts.** This will ensure that the safety of the power tool is maintained.
- b) **Never service damaged battery packs.** Service of battery packs should only be performed by the manufacturer or authorized service providers.

Nailer Safety Warnings

- **Always assume that the tool contains fasteners.** Careless handling of the nailer can result in unexpected firing of fasteners and personal injury.
- **Do not point the tool towards yourself or anyone nearby.** Unexpected triggering will discharge a fastener causing an injury.
- **Do not actuate the tool unless the tool is placed firmly against the workpiece.** If the tool is not in contact with the workpiece, the fastener may be deflected away from your target.
- **Disconnect the tool from the power source when the fastener jams in the tool.** While removing a jammed fastener, the nailer may be accidentally activated if it is plugged in.
- **Do not use this nailer for fastening electrical cables.** It is not designed for electric cable installation and may damage the insulation of electric cables thereby causing electric shock or fire hazards.

Additional Nailer Safety Warnings

-  **WARNING:** When using any nailer, all safety precautions, as outlined below, should be followed to avoid the risk of death or serious injury. Read and understand all instructions before operating the tool.
-  **WARNING: NEVER** spray or in any other way apply lubricants or cleaning solvents inside the tool. This can seriously affect the life and performance of the tool.
-  **WARNING:** If the tool has been dropped or you suspect tool damage perform tool operation check as defined

- in the mode selection section of the manual. If it doesn't perform according to the manual, stop using the tool and have it serviced at an authorized service center.*
- **Keep hands and body parts away from the discharge area of the tool.** While in use NEVER grasp the tool by the magazine or canister, a mis-driven nail can exit the nose causing injury.
 - **Hold tool by insulated gripping surfaces when performing an operation where the fastener may contact hidden wiring.** Contact with a "live" wire will make exposed metal parts of the tool "live" and shock the operator.
 - **Actuating tool may result in flying debris, collation material, or dust which could harm operator's eyes.** Operator and others in work area MUST wear safety glasses with side shields. These safety glasses must conform to ANSI Z87.1 requirements (approved glasses have "Z87" printed or stamped on them. It is the employer's responsibility to enforce the use of eye protection equipment by the tool operator and other people in the work area.
 - **Always wear appropriate personal hearing and other protection during use.** Under some conditions and duration of use, noise from this product may contribute to hearing loss.
 - **Disconnect battery pack from the tool when not in use.** Always remove battery pack and remove fasteners from magazine before leaving the area or passing the tool to another operator. Do not carry tool to another work area in which changing location involves the use of scaffolding, stairs, ladders, and the like, with battery pack connected. Do not make adjustments, perform maintenance or clear jammed fasteners while battery is in place.
 - **Do not remove, tamper with, or otherwise cause the tool, trigger or trigger lock-off, to become inoperable.** Do not tape or tie trigger in the on position. Do not remove spring from contact trip. Make daily inspections for free movement of trigger. Uncontrolled discharge could result.
 - **Inspect tool before use. Do not operate a tool if any portion of the tool, trigger, or trigger lock-off is inoperable, disconnected, altered, or not working properly.** Damaged parts or missing parts should be repaired or replaced before use. Refer to **Repairs**.
 - **Do not alter or modify the tool in any way.**
 - **Always assume that the tool contains fasteners.**
 - **Do not point the tool at co-workers or yourself at any time.** No horseplay! Work safe! Respect the tool as a working implement.
 - **Keep bystanders, children, and visitors away while operating a power tool.** Distractions can cause you to lose control. When tool is not in use, it should be locked in a safe place, out of the reach of children.
 - **Always use trigger lock-off when tool is not in immediate use.** Using the trigger lock-off will prevent accidental discharge.
 - **Do not overreach.** Maintain proper footing and balance at all times. Loss of balance may cause personal injury.
 - **Use the tool only for its intended use. Do not discharge fasteners into open air, concrete, stone, extremely hard woods, knots or any material too hard for the fastener to penetrate. Do not use the body of the tool or top cap as a hammer. Discharged fastener may follow unexpected path and cause injury.**
 - **Always keep fingers clear of contact trip to prevent injury from inadvertent release of the pusher.**
 - **Refer to the Maintenance and Repairs sections for detailed information on the proper maintenance of the tool.**
 - **Always operate the tool in a clean, lighted area.** Be sure the work surface is clear of any debris and be careful not to lose footing when working in elevated environments such as rooftops.
 - **Do not drive fastener near edge of material.** The workpiece may split causing the nail to ricochet, injuring you or a co-worker. Be aware that the fastener may follow the grain of the wood (shiner), causing it to protrude unexpectedly from the side of the work material. Drive the chisel point of the fastener perpendicular to the grain to reduce risk of injury.
 - **Do not drive nails onto the heads of other fasteners or with the tool at too steep an angle.** Personal injury from strong recoil, jammed nails, or ricocheted nails may result.
 - **Keep hands and body parts clear of immediate work area.** Hold workpiece with clamps when necessary to keep hands and body out of potential harm. Be sure the workpiece is properly secured before pressing the nailer against the material. The contact trip may cause the work material to shift unexpectedly.
 - **Do not use tool in the presence of flammable dust, gases or fumes.** The tool may produce a spark that could ignite gases causing a fire. Driving a nail into another nail may also cause a spark.
 - **Keep face and body parts away from back of the tool cap when working in restricted areas.** Sudden recoil can result in impact to the body, especially when nailing into hard or dense material.
 - **Grip tool firmly to maintain control while allowing tool to recoil away from work surface as fastener is driven.**
 - **Choice of triggering method is important.** Check the manual for triggering options.
 - **Always select an actuation system that is appropriate to the fastener application and the training of the operator.**
 - **Use caution when handling, loading or unloading fasteners.** Fasteners have sharp points which could cause injury.
 - **Only wear gloves that provide adequate feel and safe control of the trigger and any adjusting devices.**
 - **Be aware of material thickness when using nailer.** A protruding nail may cause injury.

ENGLISH

- **Depth adjustment: To reduce risk of serious injury from accidental actuation when attempting to adjust depth, ALWAYS;**
 - Remove battery pack.
 - Engage trigger lock-off.
 - Avoid contact with trigger during adjustments
- **Do not drive nails blindly into walls, floors or other work areas.** Fasteners driven into live electrical wires, plumbing, or other types of obstructions can result in injury and or property damage.
- **Stay alert, watch what you are doing and use common sense when operating a power tool. Do not use tool while tired or under the influence of drugs, alcohol, or medication.** A moment of inattention while operating power tools may result in serious personal injury.

- **Air vents often cover moving parts and should be avoided.** Loose clothes, jewelry or long hair can be caught in moving parts.

CAUTION: When not in use, place tool on its side on a stable surface where it will not cause a tripping or falling hazard. Some tools with large battery packs will stand upright on the battery pack but may be easily knocked over.

The label on your tool may include the following symbols. The symbols and their definitions are as follows:

BPM.....	beats per minute	 safety alert symbol
V.....	volts	 wear respiratory protection
min.....	minutes	 wear eye protection
== or DC.....	direct current	 Class II Construction (double insulated)
.../min.....	per minute	 wear hearing protection
RPM.....	revolutions per minute	 read all documentation
A.....	amperes	 avoid staring at light
Hz.....	hertz	 alternating current
W.....	watts		
Wh.....	watt hours		
n ₀	no load speed		
n.....	rated speed		
Ah.....	amp hours		

Additional Safety Information

WARNING: Never modify the power tool or any part of it. Damage or personal injury could result.

WARNING: ALWAYS use safety glasses. Everyday eyeglasses are NOT safety glasses. Also use face or dust mask if cutting operation is dusty. ALWAYS WEAR CERTIFIED SAFETY EQUIPMENT:

- ANSI Z87.1 eye protection (CAN/CSA Z94.3),
- ANSI S12.6 (S3.19) hearing protection,
- NIOSH/OSHA/MSHA respiratory protection.

WARNING: Some dust created by power sanding, sawing, grinding, drilling, and other construction activities contains chemicals known to the State of California to cause cancer, birth defects or other reproductive harm. Some examples of these chemicals are:

- lead from lead-based paints,
- crystalline silica from bricks and cement and other masonry products, and
- arsenic and chromium from chemically-treated lumber.

Your risk from these exposures varies, depending on how often you do this type of work. To reduce your exposure to these chemicals: work in a well ventilated area, and work with approved safety equipment, such as those dust masks that are specially designed to filter out microscopic particles.

- **Wear protective clothing and wash exposed areas with soap and water.** Allowing dust to get into your mouth, eyes, or lay on the skin may promote absorption of harmful chemicals. Direct particles away from face and body.
- **Use the appropriate dust extractor vacuum to remove the vast majority of static and airborne dust.** Failure to remove static and airborne dust could contaminate the working environment or pose an increased health risk to the operator and those in close proximity.
- **Use clamps or other practical ways to secure and support the workpiece to a stable platform.** Holding the work by hand or against your body is unstable and may lead to loss of control and injury.

BATTERIES AND CHARGERS

The battery pack is not fully charged out of the carton. Before using the battery pack and charger, read the safety instructions below and then follow charging procedures outlined. When ordering replacement battery packs, be sure to include the catalog number and voltage.

READ ALL INSTRUCTIONS

Important Safety Instructions for All Battery Packs

WARNING: Read all safety warnings, instructions, and cautionary markings for the battery pack, charger and product. Failure to follow the warnings and instructions may result in electric shock, fire and/or serious injury.

- **Do not charge or use the battery pack in explosive atmospheres, such as in the presence of flammable liquids, gases or dust.** Inserting or removing the battery pack from the charger may ignite the dust or fumes.
- **NEVER force the battery pack into the charger. DO NOT modify the battery pack in any way to fit into a non-compatible charger as battery pack may rupture causing serious personal injury.** Consult the chart at the end of this manual for compatibility of batteries and chargers.
- **Charge the battery packs only in CRAFTSMAN chargers.**
- **DO NOT splash or immerse in water or other liquids.**
- **DO NOT allow water or any liquid to enter battery pack.**
- **Do not store or use the tool and battery pack in locations where the temperature may reach or**

exceed 104 °F (40 °C) (such as outside sheds or metal buildings in summer). For best life store battery packs in a cool, dry location.

NOTE: Do not store the battery packs in a tool with the trigger switch locked on. Never tape the trigger switch in the ON position.

- **Do not incinerate the battery pack even if it is severely damaged or is completely worn out.** The battery pack can explode in a fire. Toxic fumes and materials are created when lithium-ion battery packs are burned.
- **If battery contents come into contact with the skin, immediately wash area with mild soap and water.** If battery liquid gets into the eye, rinse water over the open eye for 15 minutes or until irritation ceases. If medical attention is needed, the battery electrolyte is composed of a mixture of liquid organic carbonates and lithium salts.
- **Contents of opened battery cells may cause respiratory irritation.** Provide fresh air. If symptoms persist, seek medical attention.
- **Battery liquid may be flammable if exposed to spark or flame.**
- **Never attempt to open the battery pack for any reason. If the battery pack case is cracked or damaged, do not insert into the charger.** Do not crush, drop or damage the battery pack. Do not use a battery pack or charger that has received a sharp blow, been dropped, run over or damaged in any way (e.g., pierced with a nail, hit with a hammer, stepped on). Damaged battery packs should be returned to the service center for recycling.

Storage Recommendations

The best storage place is one that is cool and dry, away from direct sunlight and excess heat or cold. Store the fully charged battery pack out of the charger.

Battery Pack Cleaning Instructions

Dirt and grease may be removed from the exterior of the battery pack using a cloth or soft non-metallic brush. Do not use water or any cleaning solutions.

Fuel Gauge Battery Packs (Fig. B)

Some battery packs include a fuel gauge. When the fuel gauge button is pressed and held, the LED lights will indicate the approximate level of charge remaining. This does not indicate tool functionality and is subject to variation based on product components, temperature, and end-user application.

Transportation



WARNING: Fire hazard. Do not store, carry, or transport the battery pack so that metal objects can contact exposed battery terminals. For example, do not place the battery pack in aprons, pockets, tool boxes, product kit boxes, drawers, etc., with loose nails, screws, keys, coins, hand tools, etc. When transporting individual battery packs, make sure that the battery terminals are protected and well

insulated from materials that could contact them and cause a short circuit. **NOTE:** Li-ion battery packs should not be put in checked baggage on airplanes and must be properly protected from short circuits if they are in carry-on baggage.

The RBRC® Seal

Please take your spent battery packs to an authorized service center or to your local retailer for recycling. In some areas, it is illegal to place spent battery packs in the trash. You may also contact your local recycling center for information on where to drop off the spent battery pack. Do not place in curbside recycling. For more information visit www.call2recycle.org. or call the toll free number in the RBRC® Seal.

RBRC® is a registered trademark of Call 2 Recycle, Inc.



Important Safety Instructions for All Battery Chargers



WARNING: Read all safety warnings, instructions, and cautionary markings for the battery pack, charger and product. Failure to follow the warnings and instructions may result in electric shock, fire and/or serious injury.

- **DO NOT attempt to charge the battery pack with any chargers other than a CRAFTSMAN charger.** CRAFTSMAN chargers and battery packs are specifically designed to work together.
- **These chargers are not intended for any uses other than charging CRAFTSMAN rechargeable battery packs.** Charging other types of battery packs may cause them to overheat and burst, resulting in personal injury, property damage, fire, electric shock or electrocution.
- **Do not expose the charger to rain or snow.**
- **Do not allow water or any liquid to enter charger.**
- **Pull by the plug rather than the cord when disconnecting the charger.** This will reduce the risk of damage to the electric plug and cord.
- **Make sure that the cord is located so that it will not be stepped on, tripped over or otherwise subjected to damage or stress.**
- **Do not use an extension cord unless it is absolutely necessary.** Use of improper extension cord could result in risk of fire, electric shock or electrocution.
- **When operating a charger outdoors, always provide a dry location and use an extension cord suitable for outdoor use.** Use of a cord suitable for outdoor use reduces the risk of electric shock.
- **An extension cord must have adequate wire size (AWG or American Wire Gauge) for safety.** The smaller the gauge number of the wire, the heavier the cord and thus the greater its capacity. An undersized cord will cause a drop in line voltage resulting in loss of power and overheating. The following table shows the correct size to use depending on total length of all extension cords plugged together, and nameplate ampere rating. If in doubt, use the next heavier gauge.

Minimum Gauge for Cord Sets

Volts		Total Length of Cord in Feet (meters)			
		25 (7.6)	50 (15.2)	100 (30.5)	150 (45.7)
120V					
Ampere Rating		American Wire Gauge			
More Than	Not More Than				
0	6	18	16	16	14
6	10	18	16	14	12
10	12	16	16	14	12
12	16	14	12	Not Recommended	

- **Do not place any object on top of the charger or place the charger on a soft surface that might block the ventilation slots and result in excessive internal heat.** Place the charger in a position away from any heat source. The charger is ventilated through slots in the top and the bottom of the housing.
- **Do not operate the charger with a damaged cord or plug.** Have them replaced immediately.
- **Do not operate the charger if it has received a sharp blow, been dropped or otherwise damaged in any way.** Take it to an authorized service center.
- **Do not disassemble the charger; take it to an authorized service center when service or repair is required.** Incorrect reassembly may result in a risk of electric shock, electrocution or fire.
- **The charger is designed to operate on standard 120V household electrical power. Do not attempt to use it on any other voltage.** This does not apply to the vehicular charger.
- **Foreign materials of a conductive nature, such as, but not limited to, grinding dust, metal chips, steel wool, aluminum foil or any buildup of metallic particles should be kept away from the charger cavities and ventilation slots.**
- **Always unplug the charger from the power supply when there is no battery pack in the cavity.**

Charging a Battery (Fig. C)

1. Plug the charger into an appropriate outlet.
2. Insert and fully seat battery pack. Green charging light will continuously blink while charging.
3. Charging is complete when the green charging light remains continuously ON. Battery pack can be left in charger or removed.
4. Charger will not charge a faulty battery pack, which may be indicated by the light staying OFF. Take charger and battery pack to an authorized service center if light stays OFF.

NOTE: Refer to label near charging light on charger for blink patterns.

Hot/Cold Pack Delay

When the charger detects a battery pack that is too hot or too cold, it automatically starts a Hot/Cold Pack Delay, suspending charging until the battery pack has reached an appropriate temperature. The charger then automatically switches to the pack charging mode. This feature ensures maximum battery pack life.

A cold battery pack may charge at a slower rate than a warm battery pack.

The hot/cold pack delay will be indicated by the green light continuing to blink but with the red light continuously ON. Once the battery pack has reached an appropriate temperature, the red light will turn OFF and the charger will resume the charging procedure.

Electronic Protection System

Li-Ion tools are designed with an Electronic Protection System that will protect the battery pack against overloading, overheating or deep discharge. The tool will automatically turn off and the battery pack will need to be recharged.

Important Charging Notes

1. The charger and battery pack may become warm to the touch while charging. This is a normal condition, and does not indicate a problem. To facilitate the cooling of the battery pack after use, avoid placing the charger or battery pack in a warm environment such as in a metal shed or an uninsulated trailer.
2. If the battery pack does not charge properly:
 - a. Check operation of receptacle by plugging in a lamp or other appliance;
 - b. Check to see if receptacle is connected to a light switch which turns power off when you turn out the lights;
 - c. If charging problems persist, take the tool, battery pack and charger to your local service center.
3. You may charge a partially used pack whenever you desire with no adverse effect on the battery pack.

Charger Cleaning Instructions



WARNING: Shock hazard. Disconnect the charger from the AC outlet before cleaning. Dirt and grease may be removed from the exterior of the charger using a cloth or soft non-metallic brush. Do not use water or any cleaning solutions.

Wall Mounting


Some CRAFTSMAN chargers are designed to be wall mountable or to sit upright on a table or work surface. If wall mounting, locate the charger within reach of an electrical outlet, and away from a corner or other obstructions which may impede air flow. Use the back of the charger as a template for the location of the mounting screws on the wall. Mount the charger securely using drywall screws (purchased separately) at least 1" (25.4 mm) long, with a screw head diameter of 0.28–0.35" (7–9 mm), screwed into wood to an optimal depth leaving approximately 7/32" (5.5 mm) of the screw exposed. Align the slots on the back of the charger with the exposed screws and fully engage them in the slots.

VersaTrack™

CRAFTSMAN chargers can be mounted to the wall using CRAFTSMAN VersaTrack™ Trackwall. Hooks and accessories are sold separately. Please refer to the VersaTrack™ Trackwall accessory sheet for further information.

SAVE THESE INSTRUCTIONS FOR FUTURE USE

ASSEMBLY AND ADJUSTMENTS

-  **WARNING:** To reduce the risk of serious personal injury, turn unit off and remove the battery pack before making any adjustments or removing/installing attachments or accessories. An accidental start-up can cause injury.

Preparing the Tool




NOTICE: NEVER spray or in any other way apply lubricants or cleaning solvents inside the tool. This can seriously affect the life and performance of the tool.

NOTE: The battery pack is not fully charged out of the carton. Follow instructions outlined (refer to **Charging a Battery**).

1. Read the **Nailer Safety Warnings** section of this manual.
2. Wear eye and ear protection.
3. Remove battery from tool.
4. Ensure magazine is empty of all fasteners.
5. Check for smooth and proper operation of contact trip and pusher assemblies. Do not use tool if either assembly is not functioning properly. NEVER use a tool that has the contact trip restrained in the actuated position.
6. Keep tool pointed away from yourself and others.
7. Insert fully charged battery pack.

OPERATION

-  **WARNING:** To reduce the risk of serious personal injury, turn unit off and remove the battery pack before making any adjustments or removing/installing attachments or accessories. An accidental start-up can cause injury.



Installing and Removing the Battery Pack (Fig. D)

NOTE: For best results, make sure your battery pack is fully charged.

To install the battery pack **11** into the tool handle, align the battery pack with the rails inside the tool's handle and slide it into the handle until the battery pack is firmly seated in the tool and ensure that it does not disengage.



To remove the battery pack from the tool, press the release button **13** and firmly pull the battery pack out of the tool handle. Insert it into the charger as described in the charger section of this manual.

Proper Hand Position (Fig. E)

-  **WARNING:** To reduce the risk of serious personal injury, ALWAYS use proper hand position as shown.
-  **WARNING:** To reduce the risk of serious personal injury, ALWAYS hold securely in anticipation of a sudden reaction.

Proper hand position requires one hand on the main handle **12**.

Using the Trigger Lock-Off (Fig. F)






-  **WARNING:** To reduce the risk of serious personal injury, do not keep trigger depressed when tool is not in use. Keep the trigger lock-off switch LOCKED when the tool is not in use.
-  **WARNING:** To reduce the risk of serious personal injury, lock off trigger, disconnect battery pack from tool and remove nails from magazine before making adjustments.

Each nailer is equipped with a trigger lock-off **2** which when pushed to the right prevents the tool from firing a nail by locking the trigger and bypassing power to the motor.

When the trigger lock-off is pressed to the left, the tool will be fully operational. The trigger lock-off should always be locked off (Fig. F) whenever any adjustments are made or when tool is not in immediate use.


NOTICE: Do not store tool with battery pack installed. To prevent damage to the pack and to ensure best battery life, store battery packs out of the tool or charger in a cool, dry location.

Loading the Tool (Fig. A)

-  **WARNING:** Keep the tool pointed away from yourself and others.
-  **WARNING:** Never load nails with the contact trip or trigger activated.
-  **WARNING:** Always remove battery pack before loading or unloading nails.
-  **CAUTION:** Keep fingers clear of pusher latch track to prevent injury.
-  **WARNING:** The trigger lock-off should always be engaged whenever any adjustments are made or when tool is not in use.

1. Turn the nailer upside down.
2. Slide the spring-loaded pusher latch **8** to the base of the magazine to lock it into place.
3. Drop nail strips into the loading slot of the magazine, making sure the nail heads align correctly with the slot opening. (Refer to **Nail Specifications** to determine compatible size.)
4. Keeping fingers clear of the track, close the magazine by releasing the pusher latch. Carefully allow the latch to slide forward and engage the nail strip.

Unloading the Tool

-  **WARNING:** The trigger lock-off should always be locked off whenever any adjustments are made or when tool is not in use.
1. Slide the spring-loaded pusher latch to the base of the magazine to lock it into place.
 2. Tip the tool up until the fastener strip slides freely out of the magazine.
 3. With battery removed, check the nosepiece to verify there are no nails remaining.

Dry Fire Lock Out

The nailer is equipped with a dry fire lockout which prevents the tool from actuating when the magazine is nearly empty. When approximately 4 nails remain in the magazine, the tool ceases to operate. Refer to **Loading the Tool** to reload a stick of collated nails.

Adjusting Depth (Fig. G)

The depth that the nail is driven can be adjusted using the depth adjustment wheel **3** on the nose of the tool.



WARNING: To reduce risk of serious injury from accidental actuation when attempting to adjust depth, ALWAYS:

- Remove battery pack.
- Engage trigger lock-off.
- Always point the nose of the nailer away from you.
- Avoid contact with trigger during adjustments.

1. To drive the nail shallower, rotate the depth adjustment wheel **3** to the left, toward the shallow nail icon.
2. To drive a nail deeper, rotate the depth adjustment wheel **3** to the right, toward the deeper nail icon.

Non-Mar Tip (Fig. H)



WARNING: Always remove battery pack before attaching the non-mar tip.

When using this tool on softer materials that you do not want to mark, such as wood cladding, use the plastic non-mar tip **14** over the contact trip **6**.

Nailing



WARNING: Always wear proper eye [ANSI Z87.1 (CAN/CSA Z94.3)] and ANSI S12.6 (S3.19) hearing protection when operating tool.



WARNING: Keep fingers AWAY from trigger when not driving nails to avoid accidental firing.

The cordless nailers are assembled in accordance with the ANSI Standard SNT-101-2015.

The sequential actuation mode provides the most accurate nail location.

1. Fully depress nosepiece against the work surface (motor will start).
2. Pull trigger (nail will drive into work surface).
3. Release trigger.
4. Lift nosepiece off work surface.
5. Repeat steps 2 through 4 for next application.

NOTICE: The contact trip needs to be depressed followed by a trigger pull for each nail followed by a release of both the contact trip and trigger after each nail.

Jam/Stall Indicator Light (Fig. A)

There is a jam/stall indicator light **4** located on the back of the tool.



JAM/STALL CONDITION

Rotate the stall release lever to release. Refer to **Stall Release**.

Stall Release (Fig. I)

If the nailer is used in harder wood where all available energy in the motor is used to drive a fastener, the tool may stall. The driver blade will not complete the drive cycle and the jam/stall indicator will flash. Rotate the stall release lever **5** on the tool and the mechanism will release.

NOTE: The tool will disable itself and not reset until the battery pack has been removed and reinserted. If the driver blade does not automatically return to the home position, proceed to **Clearing a Jammed Nail**. If the unit continues to stall please review the material and fastener length to be sure that it is not too rigorous an application.

Clearing a Jammed Nail (Fig. A, J)



WARNING: To reduce the risk of serious personal injury, disconnect battery pack from tool before making any adjustments, changing accessories, servicing, or moving the tool. Such preventative safety measures reduce the risk of starting the tool accidentally.

If a nail becomes jammed in the nosepiece, keep the tool pointed away from you and follow these instructions to clear:

1. Remove battery pack from tool and engage trigger lock-off **2**.
2. Slide the spring-loaded pusher latch **8** to the base of the magazine to lock it into place and unload nail strip.
3. Using the hex tool **10** provided, loosen the two hex bolts **15** at the top of the magazine.
4. Rotate the magazine **7** forward.
5. Remove jammed/bent nail, using pliers if necessary.
6. If the driver blade is in the down position, rotate the stall release lever on the top of the nailer.
NOTE: If the driver blade will not reset after rotating the stall release lever, manually resetting the blade with a long screw driver may be necessary.
7. Rotate the magazine back into position under the nose of the tool and tighten hex bolts.
8. Reinsert battery pack.
NOTE: The tool will disable itself and not reset until the battery pack has been removed and reinserted.
9. Reinsert nails into magazine (refer to **Loading the Tool**).
10. Release the pusher latch.
11. Disengage the trigger lock-off when ready to continue nailing.

NOTE: Should nails jam frequently or the driver blade continually fail to reset, have tool serviced by an authorized service center.

Cold Weather Operation

When operating tools at temperatures below freezing:

- Keep tool as warm as possible prior to use.
- Actuate the tool 10 or 15 times into scrap lumber before using.

Hot Weather Operation

Tool should operate normally. However, keep tool out of direct sunlight as excessive heat can deteriorate bumpers and other rubber parts resulting in increased maintenance.

Rotating Rafter Hook (Fig. K)



WARNING: Remove nails from magazine before making any adjustments or servicing this tool. Failure to do so may result in serious injury.



CAUTION: When not in use, place tool on its side on a stable surface where it will not cause a tripping or falling hazard.



CAUTION: Some tools with large battery packs will stand upright on the battery pack but may be easily knocked over.

The cordless nailer includes a rotating rafter hook **9** and can be easily positioned to the left or right of the tool to accommodate left- or right-handed users.

If use of the hook is not desired at all, it can be rotated to the front or back of the handle base.

MAINTENANCE



WARNING: To reduce the risk of serious personal injury, turn unit off and remove the battery pack before making any adjustments or removing/installing attachments or accessories. An accidental start-up can cause injury.

DAILY MAINTENANCE CHART

ACTION	Clean magazine, pusher, and contact trip mechanism.
WHY	Permits smooth operation of magazine, reduces wear, and prevents jams.
HOW	Blowing off the tool with compressed air is the most effective way to clean the tool. The use of oils, lubricants periodically or solvents is not recommended as they tend to attract debris and/or damage the plastic parts of the tool.
ACTION	Before each use, check to ensure all screws and fasteners are tight and undamaged.
WHY	Prevents jams and premature failure of tool parts.
HOW	Tighten loose screws using the appropriate hex wrench or screwdriver.

Replacing the Return Springs and Driver Blade



WARNING: For your own safety, read the tool instruction manual before using any accessory. Failure to heed these warnings may result in serious personal injury and damage to the tool and the accessory. When servicing this tool, use only identical replacement parts.



CAUTION: If you don't feel comfortable servicing your tool, take it to a authorized service center. The user should only attempt to service the springs and driver

blade. All other service should be completed by an authorized service center.



CAUTION: Do not lubricate any of the replacement parts. Lubrication can damage the parts and seriously affect the life and performance of the tool.

NOTICE: All the mechanical parts of the spring replacement kit are shown for convenience and verification of inclusion. The kit also contains a packet of Loctite adhesive for use in Step 9. Refer to Fig. P.

Return Spring Replacement Kit (Fig. L-P)

To Change Broken or Worn Return Springs

NOTE: Springs should be replaced as a pair, using only the correct accessory spring replacement kit.

- Using the hex wrench **10** provided, loosen the two screws **16** on either side of the unit. Refer to Figure L.
- Remove the return system **17** from the unit. Refer to Figure M.
- Slide the spring rail clip **18** off of the spring rail **19**. Refer to Figure N.
- Twist and remove the spring bumper **20** and remove the washer **21** and return spring **22**. Refer to Figure N.
- Mount the new return spring **22** and washer **21** on to the spring rail **19**. While compressing the spring with the washer near the opposite end of the rail, twist on the new spring bumper until it is past the groove for the spring rail clip.
- Mount the new spring rail clip securely and position the bumper against the clip.
- Repeat steps 3–6 to replace the second spring.

NOTE: Check the return of the driver blade by sliding the driver blade up the spring rail and letting it go. It should return due to the force from the springs.
- Slide the return system **17** back into the unit. Tighten the two screws **16** on either side of the unit. Check proper installation by connecting a battery and pushing then releasing the nose of the unit against a bench or hard surface. This will start the motor spinning.

NOTE: When the driver blade and the flywheel are correctly aligned, you will hear the motor coast back down from full speed. If the driver blade and the flywheel are not correctly aligned, the motor may not start up or may slow down much faster than normal along with a loud grinding noise from the unit. If this happens remove battery, then remove and reseat the return system.
- Once the return system is correctly seated, open the provided sachet of Loctite[®] and apply a small amount on the thread of the two screws **16** and remount the two screws using the hex wrench and tighten securely.



WARNING: Always test the unit by firing short nails in to soft wood, to ensure that the tool is working properly. If tool does not operate properly, contact a authorized service center immediately.



WARNING: LOCTITE[®] SACHET CONTENTS MAY IRRITATE EYES, SKIN, AND RESPIRATORY SYSTEM. USE ENTIRE CONTENTS ON OPENING. Do not breath fumes. Do not get in eyes or on skin or clothing. Use only in a well ventilated area. Keep out of reach of children.

FIRST AID TREATMENT: Contains polyglycol dimethacrylate, polyglycol oleate, propylene glycol, titanium dioxide, and cumene hydroperoxide. If swallowed, call a Poison Control Center or doctor immediately. Do not induce vomiting. If breathed in, move person to fresh air. If in eyes, rinse with water for 15 minutes. Obtain medical attention. If on skin, rinse well with water. If on clothes, remove clothes.

***Loctite® is a registered trademark of Henkel Corp.

Replacing the Driver Blade (Fig. Q)

To Change a Broken or Worn Driver Blade

1. Refer to **Return Spring Replacement Kit** Steps 1–4 to remove the return system from the unit and to remove the springs.
2. Take note of the orientation of the driver blade **23**. Slide the driver blade off the rails **19**.
3. In the same orientation as the old driver blade, slide the new driver blade onto the rails.
4. Refer to **Return Spring Replacement Kit** Steps 5–9 to complete the service.

Cleaning

WARNING: Blow dirt and dust out of all air vents with clean, dry air at least once a week. To minimize the risk of eye injury, always wear ANSI Z87.1 approved eye protection when performing this procedure.

WARNING: Never use solvents or other harsh chemicals for cleaning the non-metallic parts of the tool. These chemicals may weaken the plastic materials used in these parts. Use a cloth dampened only with water and mild soap. Never let any liquid get inside the tool; never immerse any part of the tool into a liquid.

Accessories

WARNING: Since accessories, other than those offered by CRAFTSMAN, have not been tested with this product, use of such accessories with this tool could be hazardous. To reduce the risk of injury, only CRAFTSMAN recommended accessories should be used with this product.

Recommended accessories for use with your tool are available at extra cost from your local dealer or authorized service center. If you need assistance in locating any accessory, please contact CRAFTSMAN call **1-888-331-4569**.

VersaTrack™ (Fig. R)

WARNING: To reduce the risk of serious personal injury, turn unit off and remove the battery pack before making any adjustments or removing/ installing attachments or accessories. An accidental start-up can cause injury.

WARNING: To reduce the risk of serious personal injury, do not use a damaged VersaTrack™ hang hook or VersaTrack™ Trackwall. A damaged VersaTrack™ hang hook or VersaTrack™ Trackwall will not support the weight of the tool.

WARNING: To reduce the risk of serious personal injury, ensure the screw holding the VersaTrack™ hang hook is securely tightened.

WARNING: To reduce the risk of serious personal injury, DO NOT suspend tool overhead or suspend objects from the hang hook. ONLY suspend tool on the VersaTrack™ Trackwall using the hang hook.

WARNING: Ensure that the tool weight does not exceed the maximum rated weight of 20 lb (9 kg) for the selected VersaTrack™ hook.

WARNING: When hanging objects on a VersaTrack™ Trackwall rail, adequately space the tools in order to not exceed 75 lb (35 kg) per linear foot.

IMPORTANT: When attaching the VersaTrack™ hang hook, use only the screw that is provided. Be sure to securely tighten the screw. VersaTrack™ accessories mount compatible tools securely to the VersaTrack™ Trackwall system.

1. Turn the tool off, remove the battery pack and accessories.

CAUTION: Any product with exposed cutting teeth must have them covered securely if it is to be on the VersaTrack™ Trackwall.

2. Attach the hang hook **24** on the tool.
 - a. Place the VersaTrack™ hang hook onto the mounting location at the base of the tool.
 - b. Use a screwdriver to secure the hang hook with the provided screw **25**. Do not use any other screw for this.

NOTE: VersaTrack™ accessories for use with your tool are available at extra cost from your local dealer or authorized service center. If you need assistance in locating any accessory, please contact CRAFTSMAN, call **1-888-331-4569**.

Repairs

The charger and battery pack are not serviceable. There are no serviceable parts inside the charger or battery pack.

WARNING: To assure product SAFETY and RELIABILITY, repairs, maintenance and adjustment (including brush inspection and replacement, when applicable) should be performed by a CRAFTSMAN factory service center or a CRAFTSMAN authorized service center. Always use identical replacement parts.

Register Online

Thank you for your purchase. Register your product now for:

- **WARRANTY SERVICE:** Registering your product will help you obtain more efficient warranty service in case there is a problem with your product.
- **CONFIRMATION OF OWNERSHIP:** In case of an insurance loss, such as fire, flood or theft, your registration of ownership will serve as your proof of purchase.
- **FOR YOUR SAFETY:** Registering your product will allow us to contact you in the unlikely event a safety notification is required under the Federal Consumer Safety Act.
- Register online at **www.craftsman.com/registration**

Three Year Limited Warranty

CRAFTSMAN will repair or replace, without charge, any defects due to faulty materials or workmanship for three years from the date of purchase (two years for batteries). This warranty does not cover part failure due to normal wear or tool abuse. For further detail of warranty coverage and warranty repair information, visit www.craftsman.com or call **1-888-331-4569**. This warranty does not apply to accessories or damage caused where repairs have been made or attempted by others. THIS LIMITED WARRANTY IS GIVEN IN LIEU OF ALL OTHERS, INCLUDING THE IMPLIED WARRANTY OF MERCHANTABILITY AND FITNESS FOR A PARTICULAR PURPOSE, AND EXCLUDES ALL INCIDENTAL OR CONSEQUENTIAL DAMAGES. Some states do not allow limitations on how long an implied warranty lasts or the exclusion or limitation of incidental or consequential damages, so these limitations may not apply to you. This warranty gives you specific legal rights and you may have other rights which vary in certain states or provinces.

2 YEARS FREE SERVICE ON CRAFTSMAN BATTERY PACKS

CMCB201, CMCB2011

3 YEARS FREE SERVICE ON CRAFTSMAN BATTERY PACKS

CMCB202, CMCB204

NOTE: Battery warranty voided if the battery pack is tampered with in any way. CRAFTSMAN is not responsible for any injury caused by tampering and may prosecute warranty fraud to the fullest extent permitted by law.

90 DAY MONEY BACK GUARANTEE

If you are not completely satisfied with the performance of your CRAFTSMAN Power Tool or Nailer for any reason, you can return it within 90 days from the date of purchase with a receipt for a full refund – no questions asked.

LATIN AMERICA: This warranty does not apply to products sold in Latin America. For products sold in Latin America, see country specific warranty information contained in the packaging, call the local company or see website for warranty information.

FREE WARNING LABEL REPLACEMENT: If your warning labels become illegible or are missing, call **1-888-331-4569** for a free replacement.



NOTICE: NEVER spray or in any other way apply lubricants or cleaning solvents inside the tool. This can seriously affect the life and performance of the tool.

TOOL SPECIFICATIONS

Firing Mode	Sequential
Voltage	20
Height	13.5" (346 mm)
Width	4.25" (104 mm)
Length	13.75" (335 mm)
Weight	8.0 lbs. (3.63 kg)
Magazine Angle	33°
Loading Capacity	Up to 55 nails

NAIL SPECIFICATIONS

	Clipped Head or Full Head
Nail Lengths	2"–3–1/2" (50 mm–90 mm)
Shank Diameters	.113"–.131" (2.8 mm–3.3 mm)
Nail Stick Angles	30°– 34°
Shank Types	Smooth and Ring

TROUBLESHOOTING GUIDE

MANY COMMON PROBLEMS CAN BE SOLVED EASILY BY UTILIZING THE CHART BELOW. FOR MORE SERIOUS OR PERSISTENT PROBLEMS, CONTACT A CRAFTSMAN SERVICE CENTER OR CALL 1-(888)-331-4569.



WARNING: To reduce the risk of serious personal injury, ALWAYS disconnect battery pack from tool before all repairs.

SYMPTOM	CAUSE	FIX
Motor does not run with contact trip depressed	Trigger lock in locked position.	Unlock trigger lock.
	Dryfire lock out engaged, blocking contact trip from traveling fully.	Load more nails into magazine.
	Tool is stalled, locking the motor from rotating.	Rotate the stall release lever on the tool and the mechanism will release. If driver blade does not return, remove battery and manually push driver blade back to home position.
	Bent contact trip.	See authorized service center.
	Motor stops running after 5 seconds.	Normal operation, release contact trip and redepress.
	Terminals are dirty or damaged.	See authorized service center.
	Damaged internal electronics.	See authorized service center.
Tool does not actuate (motor runs but will not fire)	Damaged trigger.	See authorized service center.
	Dryfire lock out engaged, blocking contact trip from traveling fully.	Load nails into magazine.
	Low battery charge or damaged battery.	Check charge level if pack shows state-of-charge. Charge or replace battery pack if necessary.
	Jammed nail/driver blade not returned to home position.	Remove battery, clear jammed nail, cycle stall release lever, (push driver blade up manually if necessary) reinsert battery pack.
	Damaged or worn return springs.	Replace springs. Refer to Return Spring Replacement Kit or see authorized service center.
	Damaged or worn profile.	Replace profile. Refer to Replacing the Profile or see authorized service center.
	Jammed internal mechanism.	See authorized service center.
Motor starts up but generates a lot of noise	Damaged internal electronics.	See authorized service center.
	Jammed nail and driver blade is stuck in down position.	Use stall release lever, clear and jammed nails, and return driver blade manually if necessary.
	Damaged or worn return springs.	Replace springs. Refer to Return Spring Replacement Kit or see authorized service center.
	Damaged or worn profile.	Replace profile. Refer to Replacing the Profile or see authorized service center.
Drive blade continues to get stuck in down position	Jammed nail and driver blade is stuck in down position.	Use stall release lever, clear any jammed nails, and return driver blade manually if necessary.
	Damaged or worn return springs.	Replace springs. Refer to Return Spring Replacement Kit or see authorized service center.
	Damaged or worn profile.	Replace profile. Refer to Replacing the Profile or see authorized service center.
	Debris in nosepiece.	Clean nose area and watch closely for small pieces of broken nails stuck in the track.

SYMPTOM	CAUSE	FIX
Tool operates but does not drive fasteners fully	Depth adjust set too shallow.	Rotate depth adjust to a deeper setting.
	Tool not firmly applied to workpiece.	Apply adequate force to tool securing it tightly to workpiece See instruction manual.
	Material and fastener length.	If the unit continues to stall (forcing the need to rotate the stall release lever) choose the appropriate material and fastener length that is not too rigorous of an application.
	Damaged or worn profile.	Replace profile. Refer to Replacing the Profile or see authorized service center.
Tool operates, but no fastener is driven	Damaged actuation mechanism.	See authorized service center.
	No nails in magazine.	Load nails in magazine.
	Wrong size or angle nails.	Use only the recommended nails Refer to Nail Specifications .
	Debris in nosepiece.	Clean nose area and watch closely for small pieces of broken nails stuck in the track.
	Debris in magazine.	Clean magazine.
	Worn magazine.	Replace magazine. See authorized service center.
	Damaged or worn return springs.	Replace springs. Refer to Return Spring Replacement Kit or see authorized service center.
	Damaged or worn profile.	Replace profile. Refer to Replacing the Profile or see authorized service center.
Jammed nail	Wrong size or angle nails.	Use only the recommended nails. Refer to Nail Specifications .
	Magazine screws not secured after previous jam clear/inspection.	Make sure to tighten magazine hex bolts with hex wrench provided.
	Material and fastener length.	If the unit continues to stall (forcing the need to rotate the stall release lever) choose the appropriate material and fastener length that is not too rigorous an application.
	Debris in nosepiece.	Clean nose area and watch closely for small pieces of broken nails stuck in the track.
	Worn magazine.	Replace magazine. See authorized service center.
	Damaged or worn return springs.	Replace springs. Refer to Return Spring Replacement Kit or see authorized service center.
	Damaged or worn profile.	Replace profile. Refer to Replacing the Profile or see authorized service center.



AVERTISSEMENT : lire tous les avertissements de sécurité et toutes les directives. Le non-respect des avertissements et des directives pourrait se solder par un choc électrique, un incendie et/ou une blessure grave.



AVERTISSEMENT : afin de réduire le risque de blessures, lire le mode d'emploi de l'outil.

Usage Prévu

Le cloueur pour charpente sans fil CMCN630PT a été conçu pour enfoncer des clous dans des pièces en bois.

NE PAS les utiliser en milieu ambiant humide ou en présence de liquides ou de gaz inflammables.

Ce cloueur pour charpente sans fil est un outil électrique de professionnels.

NE PAS le laisser à la portée des enfants. Une supervision est nécessaire auprès de tout utilisateur non expérimenté.

Définitions : symboles et termes d'alarmes sécurité

Ces guides d'utilisation utilisent les symboles et termes d'alarmes sécurité suivants pour vous prévenir de situations dangereuses et de risques de dommages corporels ou matériels.



DANGER : indique une situation dangereuse imminente qui, si elle n'est pas évitée, entraînera la mort ou des blessures graves.



AVERTISSEMENT : indique une situation potentiellement dangereuse qui, si elle n'est pas évitée, pourrait entraîner la mort ou des blessures graves.



ATTENTION : indique une situation potentiellement dangereuse qui, si elle n'est pas évitée, pourrait entraîner des blessures légères ou modérées.



(Si utilisé sans aucun terme) Indique un message propre à la sécurité.

AVIS : indique une pratique ne posant aucun risque de dommages corporels mais qui par contre, si rien n'est fait pour l'éviter, pourrait poser des risques de dommages matériels.

AVERTISSEMENTS GÉNÉRAUX SUR LA SÉCURITÉ DES OUTILS



AVERTISSEMENT : lisez tous les avertissements de sécurité, toutes les instructions, les illustrations et les caractéristiques fournis avec cet outil électrique. Ne pas suivre toutes les instructions comprises aux présentes peut conduire à un choc électrique, un incendie et/ou des blessures graves.

CONSERVER TOUS LES AVERTISSEMENTS ET TOUTES LES DIRECTIVES POUR UN USAGE ULTÉRIEUR

Le terme « outil électrique » cité dans les avertissements se rapporte à votre outil électrique à alimentation sur secteur (avec fil) ou par piles (sans fil).

1) Sécurité du lieu de travail

- Tenir l'aire de travail propre et bien éclairée.**
Les lieux encombrés ou sombres sont propices aux accidents.
- Ne pas faire fonctionner d'outils électriques dans un milieu déflamant, tel qu'en présence de liquides, de gaz ou de poussières inflammables.**
Les outils électriques produisent des étincelles qui pourraient enflammer la poussière ou les vapeurs.
- Éloigner les enfants et les personnes à proximité pendant l'utilisation d'un outil électrique.** Une distraction pourrait en faire perdre la maîtrise à l'utilisateur.

2) Sécurité en matière d'électricité

- Les fiches des outils électriques doivent correspondre à la prise. Ne jamais modifier la fiche d'aucune façon. Ne jamais utiliser de fiche d'adaptation avec un outil électrique mis à la terre.** Le risque de choc électrique sera réduit par l'utilisation de fiches non modifiées correspondant à la prise.
- Éviter tout contact physique avec des surfaces mises à la terre comme des tuyaux, des radiateurs, des cuisinières et des réfrigérateurs.** Le risque de choc électrique est plus élevé si votre corps est mis à la terre.
- Ne pas exposer les outils électriques à la pluie ou à l'humidité.** La pénétration de l'eau dans un outil électrique augmente le risque de choc électrique.
- Ne pas utiliser le cordon de façon abusive. Ne jamais utiliser le cordon pour transporter, tirer ou débrancher un outil électrique. Tenir le cordon éloigné de la chaleur, de l'huile, des bords tranchants et des pièces mobiles.** Les cordons endommagés ou enchevêtrés augmentent les risques de choc électrique.
- Pour l'utilisation d'un outil électrique à l'extérieur, se servir d'une rallonge convenant à cette application.** L'utilisation d'une rallonge conçue pour l'extérieur réduira les risques de choc électrique.
- S'il est impossible d'éviter l'utilisation d'un outil électrique dans un endroit humide, brancher l'outil dans une prise ou sur un circuit d'alimentation dotés d'un disjoncteur de fuite à la terre (GFCI).** L'utilisation de ce type de disjoncteur réduit les risques de choc électrique.

3) Sécurité personnelle

- Être vigilant, surveiller le travail effectué et faire preuve de jugement lorsqu'un outil électrique est utilisé. Ne pas utiliser d'outil électrique en cas de fatigue ou sous l'influence de drogues, d'alcool ou de médicaments.** Un simple moment d'inattention en utilisant un outil électrique peut entraîner des blessures corporelles graves.
- Utiliser des équipements de protection individuelle. Toujours porter une protection oculaire.** L'utilisation d'équipements de protection comme un masque antipoussière, des chaussures

antidérapantes, un casque de sécurité ou des protecteurs auditifs lorsque la situation le requiert réduira les risques de blessures corporelles.

- c) **Empêcher les démarrages intempestifs. S'assurer que l'interrupteur se trouve à la position d'arrêt avant de relier l'outil à une source d'alimentation et/ou d'insérer un bloc-piles, de ramasser ou de transporter l'outil.** Transporter un outil électrique alors que le doigt repose sur l'interrupteur ou brancher un outil électrique dont l'interrupteur est à la position de marche risque de provoquer un accident.
- d) **Retirer toute clé de réglage ou clé avant de démarrer l'outil.** Une clé ou une clé de réglage attachée à une partie pivotante de l'outil électrique peut provoquer des blessures corporelles.
- e) **Ne pas trop tendre les bras. Conserver son équilibre en tout temps.** Cela permet de mieux maîtriser l'outil électrique dans les situations imprévues.
- f) **S'habiller de manière appropriée. Ne pas porter de vêtements amples ni de bijoux. Garder les cheveux, les vêtements et les gants à l'écart des pièces mobiles.** Les vêtements amples, les bijoux ou les cheveux longs risquent de rester coincés dans les pièces mobiles.
- g) **Si des composants sont fournis pour le raccordement de dispositifs de dépoussiérage et de ramassage, s'assurer que ceux-ci sont bien raccordés et utilisés.** L'utilisation d'un dispositif de dépoussiérage peut réduire les dangers engendrés par les poussières.
- h) **Ne pas laisser votre connaissance acquise suite l'utilisation fréquente des outils vous permettre de baisser la garde et ignorer les principes de sécurité de l'outil.** Un acte irréfléchi peut causer une blessure grave en une fraction de seconde.

4) Utilisation et entretien d'un outil électrique

- a) **Ne pas forcer un outil électrique. Utiliser l'outil électrique approprié à l'application.** L'outil électrique approprié effectuera un meilleur travail, de façon plus sûre et à la vitesse pour laquelle il a été conçu.
- b) **Ne pas utiliser un outil électrique dont l'interrupteur est défectueux.** Tout outil électrique dont l'interrupteur est défectueux est dangereux et doit être réparé.
- c) **Débranchez la fiche de la prise électrique et, si amovible, retirez le bloc-piles de l'outil avant d'effectuer tout ajustement, changement et entreposage de celui-ci.** Ces mesures préventives réduisent les risques de démarrage accidentel de l'outil électrique.
- d) **Ranger les outils électriques hors de la portée des enfants et ne permettre à aucune personne n'étant pas familière avec un outil électrique ou son mode d'emploi d'utiliser cet outil.** Les outils électriques deviennent dangereux entre les mains d'utilisateurs inexpérimentés.

- e) **Gardez les poignées et surfaces d'emprise propres et libres de tout produit lubrifiant. Vérifier si les pièces mobiles sont mal alignées ou coincées, si des pièces sont brisées ou présentent toute autre condition susceptible de nuire au bon fonctionnement de l'outil électrique. En cas de dommage, faire réparer l'outil électrique avant toute nouvelle utilisation.** Beaucoup d'accidents sont causés par des outils électriques mal entretenus.
- f) **S'assurer que les outils de coupe sont aiguisés et propres.** Les outils de coupe bien entretenus et affûtés sont moins susceptibles de se coincer et sont plus faciles à maîtriser.
- g) **Utiliser l'outil électrique, les accessoires, les forets, etc. conformément aux présentes directives en tenant compte des conditions de travail et du travail à effectuer.** L'utilisation d'un outil électrique pour toute opération autre que celle pour laquelle il a été conçu est dangereuse.
- h) **Garder vos mains et les surfaces de prise sèches, propres et libres de graisse et de poussière.** Les mains et les surfaces de prise glissante ne permettent pas la manutention et le contrôle sécuritaires de l'outil dans les situations imprévues.

5) Utilisation et entretien du bloc-piles

- a) **Ne recharger l'outil qu'au moyen du chargeur précisé par le fabricant.** L'utilisation d'un chargeur qui convient à un type de bloc-piles risque de provoquer un incendie s'il est utilisé avec un autre type de bloc-piles.
- b) **Utiliser les outils électriques uniquement avec les blocs-piles conçus à cet effet.** L'utilisation de tout autre bloc-piles risque de causer des blessures ou un incendie.
- c) **Lorsque le bloc-piles n'est pas utilisé, le tenir éloigné des objets métalliques, notamment des trombones, de la monnaie, des clés, des clous, des vis ou autres petits objets métalliques qui peuvent établir une connexion entre les deux bornes.** Le court-circuit des bornes du bloc-piles risque de provoquer des brûlures ou un incendie.
- d) **En cas d'utilisation abusive, le liquide peut gicler hors du bloc-piles; éviter tout contact avec ce liquide. Si un contact accidentel se produit, laver à grande eau. Si le liquide entre en contact avec les yeux, obtenir également des soins médicaux.** Le liquide qui gicle hors du bloc-piles peut provoquer des irritations ou des brûlures.
- e) **Ne pas utiliser de bloc-piles ou outil qui a été endommagé ou modifié.** Les unités endommagées ou modifiées peuvent avoir une réaction imprévisible résultant en un incendie, une explosion ou un potentiel de blessure.
- f) **Ne pas exposer de bloc-piles ou l'outil aux flammes ou à des températures excessives.** L'exposition aux flammes ou à une température au-dessus de 129 °C (265 °F) pourrait causer une explosion.

- g) **Suivre toutes les instructions de recharge et ne rechargez pas le bloc-piles ou l'outil à des températures hors de la plage de température indiquée dans les instructions.** Une recharge non conforme ou à une température hors des limites spécifiées peut endommager les piles et augmenter le risque d'incendie.

6) Réparation

- a) **Faire réparer l'outil électrique par un réparateur professionnel en n'utilisant que des pièces de recharge identiques.** Cela permettra de maintenir une utilisation sécuritaire de l'outil électriques.
- b) **Ne jamais réparer des blocs-piles endommagés.** La réparation de blocs-piles doit seulement être effectuée par le fabricant ou les fournisseurs de service autorisés.

Consignes de sécurité propres aux cloueurs

- **Assumer systématiquement que l'outil est chargé.** L'utilisation hasardeuse du cloueur pourra provoquer le tir accidentel d'attaches et causer des dommages corporels.
- **Ne jamais pointer l'outil vers soi-même ou toute autre personne à proximité.** Le déclenchement accidentel d'attaches causerait des dommages corporels.
- **Ne pas utiliser l'outil à moins qu'il ne soit appliqué fermement contre la pièce à travailler.** Dans le cas contraire, l'attache pourrait être détournée de sa cible.
- **Déconnecter l'outil de sa source de courant lorsqu'une attache est restée coincée dans l'outil.** Alors que l'on tente de retirer une attache bloquée, le marteau pourrait être activé accidentellement si l'outil est branché à une source d'alimentation.
- **Ne pas utiliser cet outil pour fixer des câbles électriques.** Il n'a pas été conçu pour installer des câbles électriques et pourrait en endommager l'isolant et poser ainsi des risques de chocs électriques et d'incendies.

Consignes de sécurité additionnelles propres aux cloueurs



AVERTISSEMENT : lors de l'utilisation de tout modèle de cloueur, suivre toutes les mesures de sécurité, décrites ci-après, pour éviter un risque de décès ou de blessures graves. Lire et assimiler toutes les directives avant d'utiliser l'outil.



AVERTISSEMENT : NE JAMAIS vaporiser, ou appliquer de toute autre façon, aucun lubrifiant ou solvant de nettoyage dans l'outil. Cela pourrait affecter sérieusement la durée de vie et les performances de l'outil.



AVERTISSEMENT : si l'outil est tombé, ou si l'on soupçonne qu'il est endommagé, effectuer sa vérification, comme expliqué dans la section sélection du mode du guide d'utilisation. Si l'outil ne fonctionne pas conformément au guide d'utilisation, arrêter son utilisation et le faire vérifier auprès d'un centre de réparation agréé.

- **Gardez les mains et les parties de votre corps à l'écart de la zone de sortie de l'outil.** Pendant l'utilisation, NE JAMAIS prendre l'outil par le magasin ou la cartouche, un clou mal enfoncé peut sortir du nez causant une blessure.
- **Tenez l'outil par les surfaces de prise isolées lorsque vous effectuez une tâche où la fixation peut entrer en contact avec le câblage dissimulé.** Tout contact avec un fil « sous tension » mettra « sous tension » les pièces métalliques exposées de l'outil et provoquera une décharge électrique chez l'opérateur de l'outil.
- **L'outil actionné pourrait projeter des débris, de la colle d'assemblage ou de la poussière, qui peuvent tous provoquer des lésions oculaires à l'opérateur.** L'opérateur et les autres personnes œuvrant dans la zone de travail DOIVENT porter des lunettes de sécurité munies de protecteurs latéraux. Ces lunettes de sécurité doivent être conformes aux exigences de la norme ANSI Z87.1 (les lunettes homologuées portent l'inscription « Z87 » imprimée ou estampillée). L'employeur a la responsabilité d'imposer le port d'un équipement de protection oculaire par l'opérateur de l'outil et toute personne se trouvant dans la zone immédiate de travail.
- **Toujours porter une protection auditive et toute autre protection convenable lors de l'utilisation de l'outil.** Dans certaines conditions et selon la durée d'utilisation, le bruit émis par ce produit pourrait contribuer à une perte auditive.
- **Déconnecter le bloc-piles lorsque l'outil n'est pas utilisé.** Retirer systématiquement le bloc-piles et les attaches du magasin avant de quitter l'aire de travail ou de passer l'outil à un autre utilisateur. Ne pas transporter l'outil connecté à son bloc-piles sur d'autres lieux de travail si cela implique l'utilisation d'échafaudages, d'escaliers, d'échelles ou tout autre moyen similaire. N'effectuer aucun réglage ou maintenance, ni aucun retrait d'attaches enrayées alors que le bloc-piles est en place.
- **Ne pas retirer, altérer, ou rendre de quelque manière que ce soit l'outil, la gâchette ou le verrouillage de gâchette inopérant.** Ne pas coller ou attacher la gâchette en position « ON » (Marche). Ne pas retirer le ressort du déclencheur par contact. Vérifier quotidiennement que le mouvement de la gâchette est libre. Une décharge incontrôlée pourrait en résulter.
- **Inspectez l'outil avant toute utilisation. Ne pas utiliser l'outil si une portion quelconque de l'outil, de la gâchette ou du verrouillage de gâchette est inopérante, déconnectée, modifiée ou ne fonctionne pas correctement.** Toute pièce endommagée ou manquante doit être réparée ou remplacée avant nouvel usage. Se reporter à la rubrique Réparations.
- **Ne jamais modifier ni altérer l'outil.**
- **Toujours présumer que l'outil contient des attaches.**
- **Ne jamais pointer l'outil sur des collègues ou sur soi-même.** Pas de bousculades! Travailler en toute sécurité! Traiter l'outil comme un instrument essentiel de travail.
- **Éloigner les curieux, les enfants et les visiteurs lors de l'utilisation d'un outil électrique.** Une distraction

pourrait vous en faire perdre la maîtrise. Verrouiller l'outil dans un endroit sûr, hors de la portée des enfants lorsqu'il n'est pas utilisé.

- **Activer systématiquement le verrouillage de gâchette lorsque l'utilisation de l'outil n'est pas immédiate.** Le fait d'activer le verrouillage de gâchette prévient toute décharge accidentelle.
 - **Ne pas trop tendre les bras.** Conserver son équilibre en tout temps. Une perte d'équilibre risque d'entraîner une blessure.
 - **Utiliser l'outil uniquement pour les travaux pour lesquels il a été conçu. Ne pas décharger les attaches à l'air libre ou dans des matériaux trop durs comme le béton, la pierre, le bois très dur, les nœuds ou toute autre matière trop difficile à pénétrer.** Ne pas utiliser le corps de l'outil ou son couvercle supérieur comme marteau. Les attaches éjectées peuvent suivre une trajectoire inattendue et provoquer des blessures.
 - **Toujours prendre soin d'éloigner les doigts du déclencheur par contact pour prévenir une blessure en cas de relâchement involontaire du poussoir.**
 - **Se reporter à la rubrique Entretien et Réparations pour obtenir de plus amples renseignements sur l'entretien approprié de l'outil.**
 - **Toujours utiliser l'outil dans un endroit propre et éclairé.** S'assurer que la surface de travail est exempte de débris et prendre soin de ne pas perdre l'équilibre lors de travaux en hauteur, comme sur un toit.
 - **Ne pas enfoncer d'attaches près du bord de la pièce.** La pièce risque de se fendre, faire ricocher l'attache et blesser l'opérateur ou un collègue de travail. Il est possible que le clou suive le fil du bois et sorte inopinément sur le côté de la pièce. Enfoncer la pointe biseautée du clou perpendiculairement au fil du bois pour réduire le risque de blessures.
 - **Ne pas enfoncer de clous sur les têtes d'autres attaches ou avec l'outil à un angle trop aigu.** Ceci pourrait causer une blessure provoquée par un recul, un coincement d'attache ou un ricochet de clou.
 - **Garder les mains et les parties du corps éloignées de la zone immédiate de travail.** Le cas échéant, tenir la pièce à l'aide de serres pour protéger les mains et le corps de dangers potentiels. S'assurer que la pièce est bien fixe avant d'appuyer la cloueuse contre celle-ci. La force du déclencheur peut entraîner le déplacement inopiné de la pièce.
 - **Ne pas utiliser d'outil en présence de poussières, de gaz ou d'émanations inflammables.** L'outil peut générer une étincelle qui risque d'enflammer les gaz, provoquant ainsi un incendie. Une étincelle pourrait également être produite si un clou est enfoncé sur un autre clou.
 - **Tenir le visage et le corps à l'écart de l'arrière du couvercle de l'outil lors de travaux dans des endroits d'accès limité.** En effet, un recul inopiné peut entraîner un impact au corps, particulièrement lors d'un clouage dans une matière dure ou dense.
- **Maintenir l'outil fermement pour conserver son contrôle tout en permettant à l'outil de rebondir de la surface à travailler alors que l'attache est enfoncée.**
 - **Le choix de la méthode de déclenchement est important.** Consulter le manuel pour connaître les options de déclenchement.
 - **Sélectionnez toujours un système d'activation qui est approprié pour l'application de la fixation et la formation de l'utilisateur.**
 - **Redoublez de prudence lorsque vous manipulez, chargez ou déchargez des fixations.** Les fixations ont des pointes effilées qui pourraient causer une blessure.
 - **Portez seulement des gants qui offrent une sensation appropriée et un contrôle sécuritaire de la gâchette de tout dispositif de réglage.**
 - **S'informer de l'épaisseur du matériau lorsque vous utilisez une cloueuse.** Un clou en saillie peut causer des blessures.
 - **Réglage de la profondeur : pour réduire les risques de blessures graves lors de l'actionnement accidentel de l'outil lorsqu'on tente de régler la profondeur, TOUJOURS :**
 - Retirer le bloc-piles.
 - Activer le verrouillage de gâchette.
 - Éviter tout contact avec la détente lors des réglages.
 - **Ne pas enfoncer des clous à l'aveuglette dans les murs, les planchers et autres zones de travail.** Les fixations enfoncées dans des fils électriques sous tension, la plomberie ou d'autres types d'obstructions peuvent entraîner une blessure et/ou endommager le matériel.
 - **Rester vigilant, faire attention au travail en cours et faire preuve de jugement dans l'utilisation de tout outil électrique. Ne pas utiliser d'outil en cas de fatigue ou sous l'emprise de drogues, d'alcool ou de médicaments.** Un simple moment d'inattention en utilisant un outil électrique peut entraîner des blessures graves.

Renseignements de sécurité supplémentaires



AVERTISSEMENT : ne jamais modifier l'outil électrique ou toute pièce de celui-ci. Cela pourrait entraîner des dommages matériels ou des blessures corporelles.



AVERTISSEMENT : portez **TOUJOURS** des lunettes de sécurité. Les lunettes de tous les jours **NE SONT PAS** des lunettes de sécurité. De plus, utilisez un masque facial ou antipoussière si l'opération de coupe est poussiéreuse. **PORTEZ TOUJOURS UN ÉQUIPEMENT DE SÉCURITÉ CERTIFIÉ :**

- Protection des yeux ANSI Z87.1 (CAN/CSA Z94.3),
- protection auditive ANSI S12.6 (S3.19),
- protection respiratoire NIOSH/OSHA/MSHA.



AVERTISSEMENT : certaines poussières créées par le ponçage mécanique, le sciage, l'aiguillage, le perçage et autres activités de construction contiennent des

produits chimiques reconnus dans l'État de la Californie pour causer le cancer et des anomalies congénitales ou autres effets nuisibles sur la reproduction. Certains exemples de ces produits chimiques sont :

- le plomb provenant des peintures à base de plomb,
- la silice cristallisée provenant des briques, du ciment et d'autres produits de la maçonnerie ainsi que
- l'arsenic et le chrome provenant du bois de construction traité chimiquement.

Le risque associé à de telles expositions varie selon la fréquence à laquelle on effectue ces travaux. Pour réduire toute exposition à ces produits : travailler dans un endroit bien aéré, en utilisant du matériel de sécurité homologué, tel un masque antipoussières spécialement conçu pour filtrer les particules microscopiques.

- **Portez des vêtements protecteurs et lavez vos zones exposées avec du savon et de l'eau.** Permettre à la poussière d'entrer dans votre bouche, vos yeux ou la laisser sur la peau peut favoriser l'absorption des produits chimiques dangereux. Dirigez les particules loin du visage et du corps.
- **Utilisez le dépoussiéreur approprié pour enlever la grande majorité de la statique et de la poussière en suspension.** Ne pas enlever la statique et la poussière en suspension pourrait contaminer l'environnement de travail ou représenter un risque accru pour la santé de l'utilisateur et ceux qui sont à proximité.
- **Utilisez des pinces ou d'autres façons pratiques de sécuriser et maintenez la pièce de travail sur une plateforme stable.** Tenir le travail par une main ou contre votre corps est instable et peut mener à une perte de contrôle et une blessure.
- **Les événements couvrent souvent des pièces qui se déplacent et doivent être évités.** Des vêtements amples, les bijoux ou les cheveux longs peuvent se coincer dans des pièces qui déplacent.

ATTENTION : lorsque vous ne l'utilisez pas, placez l'outil sur le côté sur une surface stable là où cela n'entraînera pas un risque de trébuchement ou de chute. Certains outils avec de gros blocs-piles se tiendront debout sur le bloc-piles, mais ils peuvent facilement être renversés.

L'étiquette sur votre outil peut comporter les symboles suivants. Les symboles et les définitions sont les suivants :

BPM.....	battements par minute	Hz.....	hertz
V.....	volts	W.....	watts
min.....	minutes	Wh.....	Wattheures
— ou DC.....	courant continu	n ₀	vitesse à vide
.../min.....	par minute	n.....	vitesse nominale
Tr/min.....	tours par minute	⚠.....	symbole d'avertissement
A.....	ampères	👁.....	portez une protection oculaire
👂.....	portez une protection respiratoire		

☐.....	Construction de classe II (à isolation double)	📄.....	lisez toute la documentation
👂.....	portez une protection auditive	⚠.....	Éviter de regarder directement le flux de lumière.
		~ or AC.....	courant alternatif

Ah..... ampères-heures

PILES ET CHARGEURS

Le bloc-piles n'est pas entièrement chargé lorsqu'il sort de la boîte. Avant d'utiliser le bloc-piles et le chargeur, lisez attentivement les instructions de sécurité suivantes, puis suivez les procédures de chargement énoncées. Lorsque vous commandez des blocs-piles de remplacement, assurez-vous d'inclure le numéro du catalogue et la tension.

LISEZ TOUTES LES INSTRUCTIONS

Consignes de sécurité importantes pour les blocs-piles

AVERTISSEMENT : lisez toutes les consignes de sécurité, les instructions et les symboles d'avertissements du bloc-piles, du chargeur et du produit. Ne pas suivre les avertissements et les instructions peut entraîner un choc électrique, un incendie et/ou des blessures graves.

- **Ne pas charger ou utiliser le bloc-piles en atmosphères explosibles comme la présence de liquides inflammables, de gaz ou de poussière.** Insérer ou retirer la pile du bloc-piles peut enflammer la poussière ou les vapeurs.
- **Ne JAMAIS forcer le bloc-piles dans le chargeur. NE PAS modifier le bloc-piles de quelque façon que ce soit dans un chargeur non compatible puisque le bloc-piles peut se briser causant une blessure corporelle.** Consultez le tableau à la fin de ce guide pour la compatibilité des blocs-piles et des chargeurs.
- **Chargez les blocs-piles seulement dans CRAFTSMAN.**
- **NE PAS** éclabousser ou immerger dans l'eau ou tout autre liquide.
- **NE PAS** laisser l'eau ou tout liquide entre dans le bloc-piles.
- **Ne pas entreposer ou utiliser l'outil et le bloc-piles dans des endroits où la température peut atteindre ou excéder 40 °C (104 °F) (comme les remises extérieures ou des édifices en métal durant l'été).** Pour une meilleure durée de vie, entreposez le bloc-piles dans un endroit frais et sec.
- **REMARQUE :** Ne pas ranger les blocs-piles dans un outil avec la gâchette verrouillée. Ne jamais coller la gâchette avec du ruban adhésif en position Marche.
- **Ne pas brûler le bloc-piles même s'il est gravement endommagé ou est entièrement usé.** Le bloc-piles peut exploser au cours d'un incendie. Des vapeurs et des matières toxiques sont produites lorsque les blocs-piles au lithium-ion sont brûlés.
- **Si le liquide des piles entre en contact avec la peau, lavez immédiatement avec de l'eau et du savon doux.** Si le liquide vient en contact avec les yeux, rincez à l'eau



courante durant 15 minutes, ou jusqu'à ce que l'irritation cesse, en gardant les yeux ouverts. Pour information de consultation médicale, l'électrolyte des piles est composé d'un mélange organique liquide et de sels de lithium.

- **Le contenu des piles peut causer une irritation respiratoire.** Faites circuler de l'air frais. Si les symptômes persistent, consultez un médecin.
- **Le liquide des piles peut être inflammable s'il est exposé aux étincelles ou aux flammes.**
- **Ne jamais tenter d'ouvrir le bloc-piles pour quelque raison que ce soit. Si le boîtier du bloc-piles est fendu ou endommagé, ne pas l'insérer dans le chargeur.** Ne pas écraser, échapper ou endommager le bloc-piles. Ne pas se servir d'un bloc-piles ou chargeur qui a subi un impact, a été échappé, renversé par un véhicule ou endommagé d'une façon ou d'une autre (par ex. perforé par un clou, frappé par un marteau, sur lequel on a marché). Les blocs-piles endommagés devraient être amenés/expédiés au centre de service pour recyclage.

Recommandations d'entreposage

Le meilleur lieu pour l'entreposage est un endroit frais et sec loin de la lumière directe du soleil et de la chaleur ou du froid excessif. Entrez les bloc-piles entièrement chargés hors du chargeur.

Instructions de nettoyage du bloc-piles

La saleté et la graisse peuvent être retirées des surfaces extérieures du bloc-piles à l'aide d'un linge ou d'une brosse souple non métallique. Ne pas utiliser d'eau ou de solution nettoyante.

Blocs-piles du niveau de la jauge de carburant (Fig. B)

Certains blocs-piles incluent une jauge de carburant. Lorsque vous appuyez et maintenez, les voyants DEL indiqueront le niveau approximatif de charge restante. Cela n'indique pas la fonctionnalité de l'outil et peut varier selon les accessoires utilisés, la température et l'utilisation de l'utilisateur final.

Transport

- ⚠ **AVERTISSEMENT : danger d'incendie.** Ne pas entreposer ou transporter le bloc-piles de manière à ce que des objets métalliques puissent entrer en contact avec les bornes des piles exposées. Par exemple, ne pas placer le bloc-piles dans des tabliers, des poches, des coffres à outils, des boîtes d'ensembles de produits, des tiroirs, etc. avec des clous, des vis, des clés, les pièces de monnaie, les outils à main, etc. Lorsque vous transportez des blocs-piles individuels, assurez-vous que leurs bornes sont protégées et bien isolées de tout matériel avec lequel elles pourraient entrer en contact et causer un court-circuit.

REMARQUE : Les blocs-piles Li-Ion ne doivent pas être mises dans des bagages enregistrés sur les avions et doivent être bien protégées contre les courts-circuits si elles sont dans des bagages à main.

Le sceau SRPRC^{MD}

Veillez apporter vos blocs-piles usagés dans un centre de services autorisé ou chez votre détaillant local pour les recycler.

Dans certaines régions, il est illégal de mettre les blocs-piles usagés à la poubelle. Vous pouvez aussi contacter votre centre de recyclage local pour des informations sur les endroits où déposer le bloc-piles usagé. Ne pas mettre dans la collecte sélective. Pour de plus amples renseignements, visitez www.call2recycle.org ou appelez au numéro sans frais dans le sceau SRPRC^{MD}.

SRPRC^{MD} est une marque de commerce déposée de Call 2 Recycle, Inc.

Consignes de sécurité importantes pour tous les chargeurs de piles

- ⚠ **AVERTISSEMENT : lisez toutes les consignes de sécurité, les instructions et les symboles d'avertissements du bloc-piles, du chargeur et du produit. Ne pas suivre les avertissements et les instructions peut entraîner un choc électrique, un incendie et/ou des blessures graves.**
- **NE PAS tenter de charger le bloc-piles avec un chargeur autre qu'un CRAFTSMAN.** CRAFTSMAN chargers et les blocs-piles sont spécifiquement conçus pour fonctionner ensemble.
- **Ces chargeurs ne sont pas conçus pour toute utilisation autre que le chargement CRAFTSMAN.** Les autres types de chargement de blocs-piles peuvent causer la surchauffe et l'éclatement de ceux-ci, entraînant une blessure corporelle, des dommages matériels, un choc électrique ou une électrocution.
- **Ne pas exposer le chargeur à la pluie ou la neige.**
- **Ne pas laisser l'eau ou tout liquide entrer dans le bloc-piles.**
- **Tirez la fiche au lieu du cordon lorsque vous débranchez le chargeur.** Cela réduira le risque d'endommager la fiche et le cordon électriques.
- **Assurez-vous de ne pas placer le cordon là où il pourrait faire trébucher les passants ou être endommagé de quelque façon que ce soit.**
- **Ne pas utiliser une rallonge à moins que ce ne soit absolument nécessaire.** L'utilisation d'une rallonge inadéquate pourrait entraîner un risque d'incendie un choc électrique ou une électrocution.
- **Lors de l'utilisation d'un chargeur à l'extérieur, gardez-le toujours au sec et utilisez une rallonge appropriée pour l'extérieur.** L'utilisation d'une rallonge appropriée pour l'extérieur réduit le risque de choc électrique.
- **Une rallonge doit avoir un calibre de fil (AWG ou calibre américain normalisé des fils) approprié pour la sécurité.** Plus le numéro de calibre du fil est petit, plus le cordon est lourd et par conséquent plus sa capacité est grande. Un cordon de taille inférieure entraînera une chute de tension de secteur ce qui causera une perte de puissance et une surchauffe. Le tableau suivant affiche la bonne taille à utiliser selon longueur totale des de toutes les rallonges branchées ensemble et l'intensité nominale de

la plaque signalétique. En cas de doute, utilisez le calibre le plus lourd suivant.

Calibre minimum pour rallonges électriques

Volts		Longueur totale de la rallonge en pieds (mètres)			
		25 (7,6)	50 (15,2)	100 (30,5)	150 (45,7)
Courant nominal		AWG (American Wire Gauge)			
Plus de	Pas plus de				
0	6	18	16	16	14
6	10	18	16	14	12
10	12	16	16	14	12
12	16	14	12	Non recommandé	

- **Ne pas placer tout objet sur le dessus du chargeur ou placer le chargeur sur une surface molle qui pourrait bloquer les fentes de ventilation et entraîner une chaleur interne excessive.** Placez le chargeur loin de toute source de chaleur. Le chargeur est ventilé grâce aux fentes du dessus et du bas du boîtier.
- **Ne pas utiliser le chargeur avec un cordon ou une fiche endommagé.** Faites-les remplacer immédiatement.
- **Ne pas utiliser le chargeur s'il a reçu un choc violent, s'il a été échappé ou est autrement endommagé de quelque façon que ce soit.** Apportez-le dans un centre de services autorisé.
- **Ne pas démonter le chargeur; apportez-le dans un centre de services autorisé lorsqu'un entretien ou une réparation est nécessaire.** Un mauvais réassemblage peut entraîner un danger de choc électrique, une électrocution ou un incendie.
- **Le chargeur est conçu pour fonctionner sur une alimentation électrique domestique 120 V. Ne pas essayer de l'utiliser sur toute autre tension.** Cela ne s'applique pas au chargeur véhiculaire.
- **Les matières étrangères conductrices telles, mais sans s'y limiter, les poussières de meulage, les copeaux métalliques, la laine d'acier, le papier d'aluminium ou toute accumulation de particules métalliques devraient être éloignées des ouvertures du chargeur et des fentes de ventilation.**
- **Débranchez toujours le chargeur de l'alimentation lorsqu'il n'y a aucun bloc-piles à l'intérieur.**

Charger une pile (Fig. C)

1. Branchez le chargeur dans une prise appropriée.
2. Insérez et appuyez complètement le bloc-piles. Le voyant de chargement vert clignotera constamment pendant le chargement.
3. Le chargement est terminé lorsque le voyant vert reste allumé en permanence. Le bloc-piles peut être laissé dans le chargeur ou retiré.
4. Le chargeur ne charge pas un bloc-piles défectueux, ce qui peut être indiqué par le voyant qui reste éteint. Apportez le chargeur et le bloc-piles dans un centre de services autorisé si le voyant reste éteint.

REMARQUE : Consultez l'étiquette près du voyant de chargement sur le chargeur pour les modèles de clignotement.

Délai en cas de bloc chaud ou froid

Lorsque le chargeur détecte un bloc-piles qui est trop chaud ou trop froid, il démarre automatiquement le délai pour le bloc chaud/froid, suspendant la recharge jusqu'à ce que la température du bloc-piles ait atteint une température appropriée. Le chargeur passe alors automatiquement en mode de chargement du bloc-piles. Cette fonction assure une durée de vie maximale du bloc-piles.

Un bloc-piles froid peut se charger à une vitesse plus lente qu'un bloc-piles chaud.

Le délai du bloc chaud/froid sera indiqué par le voyant vert continuant à clignoter, mais avec le voyant rouge restant allumé. Une fois que le bloc-piles aura atteint la température appropriée, le voyant rouge s'éteindra et le chargeur reprendra la procédure de chargement.

Système de protection électronique

Les outils Li-Ion sont conçus avec un système de protection électronique qui protégera le bloc-piles contre une surcharge, une surchauffe et une importante décharge. L'outil s'éteindra automatiquement et le bloc-piles devra être rechargé.

Remarques importantes sur le chargement

1. Le chargeur et le bloc-piles peuvent devenir chauds au toucher durant le chargement. C'est un état normal et cela n'indique pas un problème. Pour faciliter le refroidissement du bloc-piles après l'utilisation, évitez de placer le chargeur ou le bloc-piles dans un environnement chaud comme une remise en métal ou une remorque non isolée.
2. Si le bloc-piles ne charge pas de adéquatement :
 - a. Vérifiez le fonctionnement de la prise en branchant une lampe ou un autre appareil;
 - b. Vérifiez si la prise d'alimentation est connectée à un interrupteur de lumière qui s'éteint lorsque vous éteignez les lumières;
 - c. Si les problèmes de chargement persistent, apportez l'outil, le bloc-piles et le chargeur dans votre centre de services local.
3. Vous pouvez charger un bloc partiellement utilisé au moment désiré sans effet indésirable sur le bloc-piles.

Instructions de nettoyage du chargeur



AVERTISSEMENT : danger de choc électrique. Débranchez le chargeur de la prise CA avant de nettoyer. La saleté et la graisse peuvent être retirées des surfaces extérieures du chargeur à l'aide d'un linge ou d'une brosse souple non métallique. Ne pas utiliser d'eau ou de solution nettoyante.

Montage mural

Certains chargeurs CRAFTSMAN sont conçus pour pouvoir être installés au mur ou être placés verticalement sur une table ou une surface de travail. Pour le montage mural, placez le chargeur près d'une prise de courant et loin d'un coin ou d'autres obstructions qui peuvent nuire à la circulation de l'air. Utilisez la base du chargeur comme modèle pour

l'emplacement des vis de montage. Fixez solidement le chargeur à l'aide de vis pour cloison sèche (achetées séparément) d'au moins 25,4 mm (1 po) de longueur avec un diamètre de tête de vis de 7 à 9 mm (0,28 à 0,35 po) vissées dans du bois à une profondeur optimale en laissant exposée une partie de vis d'environ 5,5 mm (7/32 po). Alignez les fentes au dos du chargeur avec les vis exposées et insérez-les entièrement dans les fentes.

VersaTrack^{MC}

Les chargeurs CRAFTSMAN peuvent être installés au mur à l'aide des fixations VersaTrack^{MC} de CRAFTSMAN. Les crochets et les accessoires sont vendus séparément. Veuillez consulter la feuille d'accessoires des fixations VersaTrack^{MC} pour de plus amples renseignements.

CONSERVER CES CONSIGNES POUR UTILISATION ULTÉRIEURE ASSEMBLAGE ET AJUSTEMENTS

AVERTISSEMENT : afin de réduire le risque de blessure corporelle, éteignez l'appareil et retirez le bloc-piles avant d'effectuer tout ajustement ou de retirer/installer des pièces ou des accessoires. Un déclenchement accidentel du démarrage peut causer des blessures.

Préparer l'outil



AVIS : NE JAMAIS vaporiser ou injecter d'aucune façon de lubrifiant ou de solvant de nettoyage à l'intérieur de l'outil. Cela peut affecter sérieusement la performance et la vie de l'outil.

REMARQUE : Le bloc-piles n'est pas entièrement chargé lorsqu'il sort de la boîte. Suivez les instructions énoncées (consultez **Charger une pile**).

1. Lisez la section **Avertissements de sécurité concernant la cloueuse** de ce guide.
2. Portez une protection oculaire et auditive.
3. Retirez la pile de l'outil.
4. Assurez-vous que le magasin ne contient plus de fixations.
5. Assurez-vous que le déclencheur par contact et les poussoirs fonctionnent bien. Ne pas utiliser si endommagé ou ne fonctionne pas bien. **NE JAMAIS** utiliser un outil qui a le déclencheur par contact retenu en position activée.
6. Ne pas diriger l'outil vers vous ou d'autres personnes.
7. Insérez un bloc-piles entièrement chargé.

FONCTIONNEMENT

AVERTISSEMENT : afin de réduire le risque de blessure corporelle, éteignez l'appareil et retirez le bloc-piles avant d'effectuer tout ajustement ou de retirer/installer des pièces ou des accessoires. Un déclenchement accidentel du démarrage peut causer des blessures.

Installer et retirer le bloc-piles (Fig. D)

REMARQUE : pour une meilleure performance, assurez-vous que le bloc-piles est complètement chargé.

Pour installer le bloc-piles **11** dans l'outil, alignez le bloc-piles avec les glissières à l'intérieur de la poignée de l'outil et glissez-le dans la poignée jusqu'à ce que le bloc-piles soit bien placé dans l'outil et assurez-vous qu'il est enclenché. Pour retirer le bloc-piles de l'outil, appuyez sur le bouton de libération **13** et tirez-le fermement hors de la poignée de l'outil. Insérez-le dans le chargeur tel que décrit dans la section du chargeur du présent manuel.

Position correcte des mains (Fig. E)

AVERTISSEMENT : pour réduire tout risque de dommages corporels graves, adopter **SYSTÉMATIQUEMENT** la position des mains illustrée.

AVERTISSEMENT : pour réduire tout risque de dommages corporels graves, maintenir **SYSTÉMATIQUEMENT** l'outil fermement pour anticiper toute réaction soudaine.

Une position des mains adéquate nécessite une main sur la poignée **12** comme montré.

Utiliser le verrou de la gâchette (Fig. F)

AVERTISSEMENT : afin de réduire le risque de blessure corporelle grave, ne pas garder la gâchette appuyée lorsque l'outil n'est pas utilisé. Gardez le verrou de la gâchette **VERROUILLÉ** lorsque l'outil n'est pas utilisé.

AVERTISSEMENT : afin de réduire le risque de blessure corporelle grave, verrouillez la gâchette, déconnectez le bloc-piles de l'outil et retirez les clous du magasin avant de faire des ajustements.

Chaque cloueuse est munie d'un verrou de la gâchette **2** qui, lorsqu'il est poussé vers la droite, empêche l'outil de tirer un clou en verrouillant la gâchette et en court-circuitant l'alimentation du moteur.

Lorsque le verrou de la gâchette est appuyé vers la gauche, l'outil sera entièrement fonctionnel. Le verrou de la gâchette doit toujours être verrouillé (Fig. F) lorsque des ajustements sont effectués ou lorsque l'outil n'est pas utilisé.

AVIS : ne pas entreposer l'outil avec le bloc-piles installé. Afin de prévenir les dommages au bloc-piles et pour assurer une durée de vie de la pile, entreposez les blocs-piles hors de l'outil ou du chargeur dans un endroit frais et sec.

Chargement de l'outil (Fig. A)

AVERTISSEMENT : maintenir l'outil pointé dans la direction opposée à vous même et à tout individu présent.

AVERTISSEMENT : ne jamais charger de clous si le déclencheur par contact ou la gâchette est activé.

AVERTISSEMENT : retirer systématiquement le bloc-piles avant de charger ou décharger les clous

ATTENTION : pour prévenir tout risque de dommages corporels, maintenir les doigts à l'écart du rail du verrou à glissière.

AVERTISSEMENT : le verrouillage de gâchette devrait systématiquement être activé chaque fois qu'un réglage est effectué ou que l'outil est hors utilisation immédiate.

1. Tournez le cloueur à l'envers.
2. Poussez le verrou à glissière à ressort **8** vers la base du magasin pour le verrouiller en place.
3. Insérez les bandes de clous dans le chargeur du magasin, en vous assurant que les têtes de clou s'alignent correctement sur la fente d'ouverture. (Reportez-vous à la section **Caractéristiques des clous** pour déterminer les compatibilités de taille.
4. Tout en protégeant les doigts du rail, fermez le magasin en libérant le verrou à glissière. Laissez, en prenant des précautions, le verrou glisser vers l'avant et s'enclencher sur la bande de clous.

Déchargement de l'outil

AVERTISSEMENT : le verrouillage de gâchette devrait systématiquement être verrouillé chaque fois qu'un réglage est effectué ou que l'outil est hors utilisation.

1. Poussez le verrou à glissière à ressort vers la base du magasin pour le verrouiller en place.
2. Inclinez l'outil vers le haut jusqu'à ce que la bande d'attaches sorte librement du magasin.
3. Alors que le bloc-piles est retiré, vérifiez que le nez ne comporte aucun clou.

Mécanisme de prévention des déclenchements à vide

Le cloueur est équipé d'un mécanisme de prévention des déclenchements à vide pour empêcher le déclenchement de l'outil lorsque son magasin est presque vide. L'outil cessera de fonctionner lorsqu'il ne restera plus que 4 clous dans le magasin. Reportez-vous à la section **Chargement de l'outil** pour réinstaller une barrette de clous en bande soudés.

Réglage de profondeur (Fig. G)

La profondeur à laquelle un clou est enfoncé peut être réglée à l'aide de la molette de réglage de profondeur **3** sur le nez de l'outil.

AVERTISSEMENT : pour réduire tout risque de dommages corporels graves causés par un fonctionnement accidentel de l'appareil lors du réglage de profondeur, **SYSTÉMATIQUEMENT :**

- Retirer le bloc-piles;
- Enclencher le verrouillage de gâchette;
- Pointer le nez du cloueur à l'opposé de vous-même;
- Éviter tout contact avec la gâchette pendant le réglage.

1. Pour enfoncer le clou moins profondément, tournez la molette de réglage de profondeur **3** vers la gauche, vers l'icône de clou court.
2. Pour enfoncer un clou plus profondément, tournez la molette de réglage de profondeur **3** vers la droite, vers l'icône de clou long.

Extrémités antimarques (Fig. H)

AVERTISSEMENT : retirez toujours le bloc-piles avant de fixer l'extrémité antimarques.

Lorsque vous utilisez cet outil sur des matériaux plus mous que vous ne souhaitez pas marquer, comme un revêtement en bois, utilisez une extrémité antimarques en plastique **14** sur le déclencheur par contact **6**.

Clouer

AVERTISSEMENT : portez toujours une protection oculaire et auditive [ANSI Z87.1 (CAN/CSA Z94.3)] et ANSI S12.6 (S3.19) appropriée lorsque vous utilisez l'outil.

AVERTISSEMENT : gardez vos doigts LOIN de la gâchette lorsque vous n'enfoncez pas les clous afin d'éviter un tir accidentel.

Les clouuses sans fil sont assemblées conformément à la norme ANSI SNT-101-2015.

Le mode d'activation séquentielle offre la localisation des clous la plus précise.

1. Appuyez complètement l'embout contre la surface de travail (le moteur démarrera).
2. Appuyez sur la gâchette (le clou s'enfoncera dans la surface de travail).
3. Relâchez la gâchette.
4. Levez l'embout hors de la surface de travail.
5. Répétez les étapes 2 à 4 pour l'application suivante.

AVIS : vous devez appuyer sur le déclencheur par contact, puis sur la gâchette pour chaque clou et relâcher le déclencheur par contact et la gâchette après chaque clou.

Voyant de blocage (Fig. A)

Il y a un voyant de bourrage/blocage **4** situé à l'arrière de l'outil.

ÉTAT DE BOURRAGE/ BLOCAGE

Tournez le levier de libération du blocage pour libérer. Consultez **Libération du blocage**.



Libération du blocage (Fig. I)

Si la clouuse est utilisée dans un matériau plus dur dans lequel toute l'énergie disponible du moteur est utilisée lors de l'enfoncement d'une fixation, l'outil peut se bloquer. La lame d'entraînement n'a pas complété son cycle d'enfoncement et le voyant de bourrage/blocage clignotera. Faites pivoter le levier de libération du blocage **5** sur l'outil et le mécanisme se libérera.

REMARQUE : L'outil se désactivera et ne se réinitialisera pas jusqu'à ce que le bloc-piles soit retiré et réinséré. Si la lame d'entraînement ne revient pas automatiquement à sa position de départ, suivez la procédure **Dégager un clou bloqué**. Si l'outil continue à bloquer, vérifiez le matériau et la longueur des fixations afin de vous assurer ce n'est pas une application trop rigoureuse.

Désenrayage de clou (Fig. A, J)

- ⚠ AVERTISSEMENT :** pour réduire le risque de blessures, éteindre l'appareil et le débrancher avant d'installer ou de retirer tout accessoire et avant d'effectuer des réglages ou des réparations.
Un démarrage accidentel peut provoquer des blessures.

Si un clou venait à s'enrayer dans l'embout, maintenez l'outil pointé à l'opposé de soi et suivre les instructions ci-après pour le décoincer :

1. Retirez le bloc-piles de l'outil et enclenchez le verrouillage de gâchette **2**.
2. Poussez le verrou à glissière à ressort **8** vers la base du magasin pour le verrouiller en place puis enlevez la bande de clous.
3. À l'aide de l'outil hexagonal **10** fourni avec l'outil, desserrez les deux boulons hexagonaux **15** sur le dessus du magasin.
4. Tournez le magasin **7** vers l'avant.
5. Retirez le clou tordu/enrayé à l'aide d'une pince, le cas échéant.
6. Si la lame de l'enfonceur est en position inférieure, tournez le levier de désenrayage sur le dessus du cloueur.
REMARQUE : si la lame de l'enfonceur ne se réinitialise pas après avoir fait tourner le levier de désenrayage, il pourra s'avérer nécessaire de réinitialiser manuellement la lame avec un long tournevis.
7. Retournez le magasin dans sa position de base, sous le nez de l'outil, puis resserrez les boulons hexagonaux.
8. Réinsérez le bloc-piles
REMARQUE : l'outil cessera de fonctionner tout seul et ne se réinitialisera pas tant que le bloc-piles ne sera pas retiré puis réinséré.
9. Réinsérez les clous dans le magasin (se reporter à la section **Chargement de l'outil**).
10. Libérez le verrou à glissière.
11. Désactivez le verrouillage de gâchette lorsque vous êtes prêt à continuer le clouage.

REMARQUE : si les clous s'enrayent fréquemment ou si la lame de l'enfonceur est continuellement incapable de se réinitialiser, veuillez faire réparer l'outil chez un centre de réparation agréé.

Utilisation par temps froids

Lorsqu'on utilise l'outil à des températures en dessous de zéro :

- Maintenez l'outil au chaud autant que possible avant utilisation.
- Faites fonctionner l'outil 10–15 fois dans un rebut de bois avant utilisation.

Utilisation par temps chauds

L'outil devrait fonctionner normalement. Cependant, maintenez l'outil à l'abri de la lumière directe du soleil, car toute chaleur excessive pourra détériorer les pare-chocs et toute autre pièce en caoutchouc, ce qui augmenterait ses besoins de maintenance.

Crochet de chevron rotatif (Fig. K)

- ⚠ AVERTISSEMENT :** retirer les clous du chargeur avant tout réglage ou réparation de l'outil. Le non-respect de cette mesure de sécurité pourrait se solder par une blessure grave.

- ⚠ ATTENTION :** après utilisation, ranger l'outil sur son côté, sur une surface stable, là où il ne pourra ni faire trébucher ni faire chuter quelqu'un.

- ⚠ ATTENTION :** certains outils équipés d'un large bloc-piles peuvent tenir à la verticale sur celui-ci mais manquent alors de stabilité.

Le cloueur sans fil inclut un crochet à chevron **9** qui peut être facilement positionné à la droite ou à la gauche de l'outil pour accommoder un gaucher ou un droitier.

Si l'utilisation d'un crochet n'est pas désirée, le crochet peut être tourné vers l'avant ou l'arrière de la base de la poignée.

MAINTENANCE

- ⚠ AVERTISSEMENT :** afin de réduire le risque de blessure corporelle, éteignez l'appareil et retirez le bloc-piles avant d'effectuer tout ajustement ou de retirer/installer des pièces ou des accessoires. Un déclenchement accidentel du démarrage peut causer des blessures.

TABLEAU DE MAINTENANCE QUOTIDIENNE

ACTION	Nettoyer le chargeur, le pousoir et le mécanisme de déclenchement par contact.
POURQUOI	Permet un fonctionnement en souplesse du chargeur, réduit l'usure et prévient les coincements.
COMMENT LE FAIRE	Envoyer de l'air comprimé dans l'outil est le moyen le plus efficace de le nettoyer. L'utilisation périodique d'huiles, de lubrifiants ou de solvants n'est pas recommandée, car ils tendent à attirer des débris et/ou endommager les pièces en plastique de l'outil.
ACTION	Avant chaque utilisation, vérifiez que toutes les vis et attaches sont bien serrées et pas endommagées.
POURQUOI	Pour prévenir l'enrayage et la dégradation prématurée des pièces de l'outil.
COMMENT LE FAIRE	Resserrez les vis desserrées à l'aide de la clé hexagonale ou d'un tournevis approprié.

Remplacer les ressorts de rappel et la lame d'entraînement

- ⚠ AVERTISSEMENT :** pour votre propre sécurité, lisez le guide d'utilisation de l'outil avant d'utiliser tout accessoire. Ne pas suivre ces avertissements peut entraîner une blessure corporelle grave ou

endommager l'outil et l'accessoire. Lorsque vous réparez cet outil, utilisez seulement des pièces de remplacement identiques.



ATTENTION : si vous n'êtes pas à l'aise avec l'entretien de votre outil, apportez-le dans un centre de services autorisé. L'utilisateur doit seulement tenter de faire l'entretien des ressorts et de la lame d'entraînement. Tous les autres entretiens doivent être effectués à un centre de services autorisé.



ATTENTION : ne lubrifier aucune des pièces de remplacement. La lubrification de celles-ci pourrait endommager l'outil ou affecter sérieusement la performance et la vie de l'outil.

AVIS : toutes les pièces mécaniques de la trousse de remplacement des ressorts sont illustrées à des fins de commodité et de vérification des pièces incluses. La trousse contient également un sachet de colle Loctite servant à l'étape 9. Consultez la Fig. P.

Trousse de remplacement des ressorts de rappel (Fig. L–P)

Pour changer les ressorts de rappel brisés ou usés

REMARQUE : Les ressorts doivent être remplacés en paire, en utilisant seulement le bon ensemble de ressorts de rappel de l'accessoire.

1. À l'aide de la clé hexagonale **10** fournie, desserrez les deux vis **16** de chaque côté de l'outil. Consultez la Figure L.
2. Retirez le système de rappel **17** de l'outil. Consultez la Figure M.
3. Glissez la pince de la glissière à ressort **18** hors de la glissière à ressort **19**. Consultez la Figure N.
4. Tournez et retirez la butée du ressort **20** et retirez la rondelle **21** et le ressort de rappel **22**. Consultez la Figure N.
5. Installez le nouveau ressort de rappel **22** et la rondelle **21** sur la glissière à ressort **19**. Tout en comprimant le ressort avec la rondelle près de l'extrémité opposée de la glissière, tournez la nouvelle butée du ressort jusqu'à ce qu'elle dépasse la rainure pour la pince de la glissière à ressort.
6. Installez la nouvelle pince de la glissière à ressort de façon sécuritaire et placez la butée contre la pince.
7. Répétez les étapes 3 à 6 pour remettre le deuxième ressort.

REMARQUE : Vérifiez le retour de la lame d'entraînement en la glissant en haut de la glissière à ressort et en la laissant aller. Il devrait retourner en raison de la force provenant des ressorts.

8. Glissez le système de rappel **17** vers l'arrière dans l'outil. Serrez les deux vis **16** sur chaque côté de l'outil. Vérifiez si l'installation est appropriée en branchant un bloc-piles, puis en poussant et en relâchant l'embout de l'outil contre un établi ou une surface dure. Ceci engagera le moteur.

REMARQUE : Lorsque la lame d'entraînement et le volant seront alignés correctement, vous entendrez le ralentissement du moteur. Si lame d'entraînement et

le volant ne sont pas correctement alignés, le moteur pourrait ne pas démarrer ou pourrait décélérer beaucoup plus rapidement, émettant un bruit de friction provenant de l'outil. Si cela se produit, retirez le bloc-piles puis placez le système de rappel correctement dans son siège.

9. Une fois que le système de rappel est bien placé, ouvrez le sachet de Loctite^{MC***} fourni et appliquez une petite quantité sur le filet des deux vis **16** et réinstallez les deux vis à l'aide de la clé hexagonale et serrez solidement.



AVERTISSEMENT : testez toujours l'outil en tirant des clous courts dans du bois mou afin d'assurer que l'outil est fonctionné bien. Si l'outil ne fonctionne pas bien, contactez immédiatement un centre de services autorisé.



AVERTISSEMENT : LE CONTENU DU SACHET DE LOCTITE^{MD} PEUT IRRITER LES YEUX, LA PEAU ET LE SYSTÈME RESPIRATOIRE. UTILISEZ TOUT LE CONTENU LORS DE L'OUVERTURE. Ne pas respirer les vapeurs. Ne pas faire entrer dans les yeux, en mettre sur la peau ou les vêtements. Utilisez-le seulement dans un endroit bien aéré. Gardez hors de la portée des enfants.

PREMIERS SOINS : Contient du diméthacrylate de polyglycol, de l'oléate de polyglycol, du propylène glycol et de l'hydroperoxyde de cumène. Si avalé, appelez immédiatement au centre antipoison ou un médecin. Ne pas provoquer le vomissement. Si respiré, déplacez la personne à l'air frais. S'il y en a dans les yeux, rincez avec de l'eau pendant 15 minutes. Consultez un médecin. S'il y en a sur la peau, rincez bien avec de l'eau. S'il y en a sur les vêtements, retirez les vêtements.

***Loctite^{MC} est une marque de commerce déposée de Henkel Corp.

Remplacer la lame d'entraînement (Fig. Q)

Pour changer une lame d'entraînement brisée ou usée

1. Consultez les étapes 1 à 4 des instructions de la **Trousse de remplacement des ressorts de rappel** pour retirer le système de rappel de l'outil et pour retirer les ressorts.
2. Prenez note de l'orientation de la lame d'entraînement **23**. Glissez la lame d'entraînement hors des glissières **19**.
3. Dans le même sens que la vieille lame d'entraînement, glissez la nouvelle lame d'entraînement sur les glissières.
4. Consultez les étapes 5 à 9 de **Trousse de remplacement des ressorts de rappel** pour terminer l'entretien.

Nettoyage



AVERTISSEMENT : enlever les saletés et la poussière hors des événements au moyen d'air comprimé propre et sec, au moins une fois par semaine. Pour minimiser le risque de blessure aux yeux, toujours porter une protection oculaire conforme à la norme ANSI Z87.1 lors du nettoyage.



AVERTISSEMENT : ne jamais utiliser de solvants ni d'autres produits chimiques puissants pour nettoyer les pièces non métalliques de l'outil. Ces produits chimiques peuvent affaiblir les matériaux de plastique

utilisés dans ces pièces. Utiliser un chiffon humecté uniquement d'eau et de savon doux. Ne jamais laisser de liquide pénétrer dans l'outil et n'immerger aucune partie de l'outil dans un liquide.

Accessoires



AVERTISSEMENT : puisque les accessoires autres que ceux offerts par CRAFTSMAN n'ont pas été testés avec ce produit, leur utilisation pourrait s'avérer dangereuse. Pour réduire le risque de blessures, utiliser exclusivement les accessoires CRAFTSMAN recommandés avec le présent produit.

Les accessoires recommandés pour cet outil sont vendus séparément au centre de service de votre région. Pour obtenir de l'aide concernant l'achat d'un accessoire, communiquer avec CRAFTSMAN, composer le 1-888-331-4569.

VersaTrack^{MC} (Fig. R)



AVERTISSEMENT : afin de réduire le risque de blessure corporelle, éteignez l'appareil et retirez le bloc-piles avant d'effectuer tout ajustement ou de retirer/installer des pièces ou des accessoires. Un déclenchement accidentel du démarrage peut causer des blessures.



AVERTISSEMENT : afin de réduire le risque de blessures graves, ne pas utiliser un crochet de suspension VersaTrack^{MC} ou rail mural VersaTrack^{MC} endommagé. Un crochet de suspension VersaTrack^{MC} ou un rail VersaTrack^{MC} endommagé ne supportera pas le poids de l'outil.



AVERTISSEMENT : afin de réduire le risque de blessures graves, assurez-vous que la vis qui retient le crochet de suspension VersaTrack^{MC} est bien serrée.



AVERTISSEMENT : afin de réduire le risque de blessures graves, NE PAS suspendre l'outil au-dessus du niveau de la tête ou suspendre d'autres objets à partir du crochet de suspension. Suspendez SEULEMENT l'outil sur le rail mural VersaTrack^{MC}. À l'aide du crochet de suspension VersaTrack^{MC}.



AVERTISSEMENT : assurez-vous que le poids de l'outil ne dépasse pas le poids nominal maximum de 9 kg (20 lb) pour le crochet VersaTrack^{MC} sélectionné.



AVERTISSEMENT : lorsque vous suspendrez des objets sur le mur VersaTrack^{MC} rail, distancez adéquatement les outils de sorte à ne pas excéder 35 kg (75 lb) par pied linéaire.

IMPORTANT : pour la fixation du crochet de suspension VersaTrack^{MC}, utilisez seulement la vis fournie. Assurez-vous de bien serrer la vis. Les outils et accessoires compatibles VersaTrack^{MC} se fixent de façon sécuritaire au système VersaTrack^{MC} Trackwall.

1. Éteignez l'outil et les accessoires et retirez le bloc-piles.



ATTENTION : tout produit avec dents coupantes exposées doit être couvert de façon sécuritaire s'il doit être mis sur le VersaTrack^{MC} Trackwall.

2. Fixez la ganse de suspension 24 sur l'outil.

- a. Placez le crochet de suspension VersaTrack^{MC} à l'emplacement du montage à la base de l'outil.
- b. Utilisez un tournevis pour sécuriser le crochet de suspension avec la vis fournie 25. Ne pas utiliser toute autre vis pour ce faire.

REMARQUE : les accessoires VersaTrack^{MC} pour utilisation avec cet outil sont disponibles à un coût supplémentaire chez votre détaillant local ou dans un centre de services autorisé. Si vous avez besoin d'aide pour trouver un accessoire, veuillez contacter CRAFTSMAN, appelez au 1-888-331-4569.

Réparations

Le chargeur et le bloc-piles ne sont pas réparables. Le chargeur ou le bloc-piles ne comportent aucune pièce réparable.



AVERTISSEMENT : pour assurer la SÉCURITÉ et la FIABILITÉ du produit, les réparations, l'entretien et les réglages doivent être réalisés (cela comprend l'inspection et le remplacement du balai, le cas échéant) par un centre de réparation en usine CRAFTSMAN ou un centre de réparation agréé CRAFTSMAN. Toujours utiliser des pièces de rechange identiques.

Registre en ligne

Merci pour votre achat. Enregistrez dès maintenant votre produit:

- **RÉPARATIONS SOUS GARANTIE:** cette carte remplie vous permettra de vous prévaloir du service de réparations sous garantie de façon plus efficace dans le cas d'un problème avec le produit.
- **CONFIRMATION DE PROPRIÉTÉ:** en cas de perte provoquée par un incendie, une inondation ou un vol, cette preuve de propriété vous servira de preuve auprès de votre compagnie d'assurances.
- **SÉCURITÉ:** l'enregistrement de votre produit nous permettra de communiquer avec vous dans l'éventualité peu probable de l'envoi d'un avis de sécurité régi par la loi fédérale américaine de la protection des consommateurs.
- Registre en ligne à www.craftsman.com/registration.

Garantie limitée de trois ans

CRAFTSMAN réparera ou remplacera sans frais tout appareil défectueux pour cause de défaut de matériau ou de main-d'œuvre sur une période de trois ans à partir de la date d'achat de l'outil (deux ans pour les bloc-piles). Cette garantie ne couvre pas les pièces en panne pour cause d'abus ou d'usure normale de l'outil. Pour plus de détails au sujet de la couverture de la garantie et l'information de réparation sous garantie, visitez www.craftsman.com ou composez le 1-888-331-4569. Cette garantie ne s'applique pas aux accessoires ou dommages causés par des réparations effectuées ou tentées par d'autres. CETTE GARANTIE REMPLACE TOUTES LES AUTRES, INCLUANT LES GARANTIES IMPLICITES DE LA QUALITÉ MARCHANDE ET L'APTITUDE POUR UN BUT PARTICULIER, ET EXCLUT TOUS LES DOMMAGES ACCIDENTELS OU CONSÉCUTIFS. Certaines

FRANÇAIS

provinces ne permettent pas de limitation sur la durée de la garantie implicite ou l'exclusion ou la limitation de dommages indirects, alors ces limitations peuvent ne pas s'appliquer à vous. Cette garantie vous donne des droits légaux particuliers et vous pouvez avoir d'autres droits qui varient selon les états ou les provinces.

CONTRAT D'ENTRETIEN GRATUIT DE DEUX ANS SUR LES BLOC-PILES CRAFTSMAN

CMCB201, CMCB2011

CONTRAT D'ENTRETIEN GRATUIT DE TROIS ANS SUR LES BLOC-PILES CRAFTSMAN

CMCB202, CMCB204

REMARQUE : la garantie de ce produit sera annulée si le bloc-piles a été altéré de quelque façon que ce soit. CRAFTSMAN ne peut être tenu responsable de tout dommage corporel causé par l'altération du produit et pourra poursuivre toute fraude en matière de garantie dans toute l'étendue permise par la loi.

GARANTIE DE REMBOURSEMENT DE 90 JOURS

Si l'acheteur n'est pas entièrement satisfait, pour quelque raison que ce soit, du rendement de l'outil électrique ou de la cloueuse CRAFTSMAN, celui-ci peut le retourner, accompagné d'un reçu, dans les 90 jours à compter de la date d'achat pour obtenir un remboursement intégral, sans aucun problème.

AMÉRIQUE LATINE : cette garantie ne s'applique aux produits vendus en Amérique latine. Pour ceux-ci, veuillez consulter les informations relatives à la garantie spécifique présente dans l'emballage, appeler l'entreprise locale ou consulter le site Web pour les informations relatives à cette garantie.

REMPLACEMENT GRATUIT DES ÉTIQUETTES

D'AVERTISSEMENT : si les étiquettes d'avertissement deviennent illisibles ou sont manquantes, composer le **1-888-331-4569** pour en obtenir le remplacement gratuit.



AVIS : NE JAMAIS vaporiser ou injecter d'aucune façon de lubrifiant ou de solvant de nettoyage à l'intérieur de l'outil. Cela peut affecter sérieusement la performance et la vie de l'outil.

SPÉCIFICATIONS DE L'OUTIL

Mode de tir	Séquentiel
Tension	20
Hauteur	346 mm (13,5 po)
Largeur	104 mm (4 po)
Longueur	349 mm (13,75 po)
Poids	3,63 kg (8,0 lbs.)
Angle du chargeur	33°
Capacité du chargeur	Jusqu'à 55 clous

SPÉCIFICATIONS DES CLOUS

	Sans tête ou Décalage tête complète
Longueur de clou	50 mm–90 mm (2 po– 3–1/2 po)
Diamètres de tige	2,8 mm–3,3 mm (0,113 po–0,131 po)
Angle des barrettes de clous	30°– 34°
Types de tiges	Lisses et annulaires

GUIDE DE DÉPANNAGE

DE NOMBREUX PROBLÈMES COMMUNS PEUVENT FACILEMENT ÊTRE RÉSOLUS À L'AIDE DU TABLEAU CI-DESSOUS. POUR DES PROBLÈMES PLUS GRAVES OU PERSISTANTS, CONTACTEZ UN CENTRE DE SERVICES CRAFTSMAN OU APPELEZ

AU 1-(888)-331-4569.



AVERTISSEMENT : afin de réduire de blessure corporelle grave, déconnectez TOUJOURS le bloc-piles de l'outil avant toutes les réparations.

SYMPTÔME	CAUSE	SOLUTION
Le moteur ne démarre pas lorsqu'on appuie sur le déclencheur par contact	Le verrou de la gâchette est en position verrouillée.	Déverrouillez le verrou de la gâchette.
	Verrouillage de tir à vide enclenché, empêchant le déclencheur par contact de se déplacer complètement.	Chargez plus de clous dans le magasin.
	L'outil est bloqué, empêchant le moteur de tourner.	Faites pivoter le levier de libération du blocage sur l'outil et le mécanisme se libérera. Si la lame d'entraînement ne revient pas, retirez le bloc-piles et repoussez manuellement la lame d'entraînement à sa position initiale.
	Déclencheur par contact plié.	Consultez un centre de services autorisé.
	Le moteur cesse de fonctionner après 5 secondes.	Fonctionnement normal, relâchez le déclencheur par contact et appuyez à nouveau.
	Les bornes sont sales ou endommagées.	Consultez un centre de services autorisé.
	Composants électroniques internes endommagés.	Consultez un centre de services autorisé.
L'outil ne s'active pas (le moteur fonctionne, mais ne tire pas)	Gâchette endommagée.	Consultez un centre de services autorisé.
	Verrouillage de tir à vide enclenché, empêchant le déclencheur par contact de se déplacer complètement.	Chargez des clous dans le magasin.
	Charge du bloc-piles faible ou bloc-piles endommagé.	Vérifiez le niveau de charge si le bloc-piles indique l'état de charge. Chargez ou remplacez le bloc-piles au besoin.
	Clou bloqué/lame d'entraînement non retournée à sa position initiale.	Retirez la pile, enlevez le clou bloqué, réenclenchez le levier de libération du blocage (poussez manuellement la lame d'entraînement vers le haut au besoin), réinsérez le bloc-piles.
	Ressorts de retour endommagés ou usés.	Remplacez les ressorts. Consultez Trousse de remplacement des ressorts de retour ou visitez un centre de service autorisé.
	Profil endommagé ou usé.	Remplacez le profil. Consultez Remplacer le profil ou visitez un centre de service autorisé.
	Mécanisme interne bloqué.	Consultez un centre de services autorisé.
Le moteur démarre, mais fait beaucoup de bruit	Composants électroniques internes endommagés.	Consultez un centre de services autorisé.
	Le clou est bloqué et la lame d'entraînement est coincée en position basse.	Utilisez le levier de libération du blocage, retirez les clous bloqués et retournez manuellement la lame d'entraînement au besoin.
	Ressorts de retour endommagés ou usés.	Remplacez les ressorts. Consultez Trousse de remplacement des ressorts de retour ou visitez un centre de service autorisé.
La lame d'entraînement continue à rester coincée en position basse	Profil endommagé ou usé.	Remplacez le profil. Consultez Remplacer le profil ou visitez un centre de service autorisé.
	Le clou est bloqué et la lame d'entraînement est coincée en position basse.	Utilisez le levier de libération du blocage, retirez tout clou bloqué et retournez manuellement la lame d'entraînement au besoin.
	Ressorts de retour endommagés ou usés.	Remplacez les ressorts. Consultez Trousse de remplacement des ressorts de retour ou visitez un centre de service autorisé.
	Profil endommagé ou usé.	Remplacez le profil. Consultez Remplacer le profil ou visitez un centre de service autorisé.
	Débris dans l'embout.	Nettoyez la zone de l'embout et observez bien les petites pièces de clous brisées prises dans la coulisse.

FRANÇAIS

SYMPTÔME	CAUSE	SOLUTION	
L'outil fonctionne, mais il n'enfoncé pas entièrement les fixations	Le réglage de l'ajustement de la profondeur n'est pas assez profond.	Tournez l'ajustement de la profondeur à un réglage plus profond.	
	L'outil n'est pas solidement appliqué sur la pièce de travail.	Appliquez une force appropriée sur l'outil en le fixant solidement sur la pièce de travail. Consultez le guide d'utilisation.	
	Longueur du matériau et des agrafes.	Si l'outil continue à se bloquer (forçant la nécessité de tourner le levier de libération bloqué), choisissez le matériau approprié et une longueur de fixations dont l'application n'est pas trop rigoureuse.	
	Profil endommagé ou usé.	Remplacez le profil. Consultez Remplacer le profil ou visitez un centre de service autorisé.	
	Mécanisme d'activation endommagé.	Consultez un centre de services autorisé.	
L'outil fonctionne, mais aucune fixation n'est enfoncée	Aucun clou dans le magasin.	Chargez des clous dans le magasin.	
	Mauvais formats ou angles des clous.	Utilisez seulement les clous recommandés. Consultez Caractéristiques des clous .	
	Débris dans l'embout.	Nettoyez la zone de l'embout et observez bien les petites pièces de clous brisées prises dans la coulisse.	
	Débris dans le magasin.	Nettoyez le magasin.	
	Magasin usé.	Remplacez le magasin. Consultez un centre de services autorisé.	
	Ressorts de retour endommagés ou usés.	Remplacez les ressorts. Consultez Trousse de remplacement des ressorts de retour ou visitez un centre de service autorisé.	
	Profil endommagé ou usé.	Remplacez le profil. Consultez Remplacer le profil ou visitez un centre de service autorisé.	
	Clou bloqué	Mauvais formats ou angles des clous.	Utilisez seulement les clous recommandés. Consultez Caractéristiques des clous .
		Vis du magasin non fixées après le retrait/l'inspection d'un blocage précédent.	Assurez-vous que les boulons hexagonaux du magasin sont serrés avec la clé hexagonale fournie.
		Longueur du matériau et des fixations.	Si l'outil continue à se bloquer (forçant la nécessité de tourner le levier de libération bloqué), choisissez le matériau approprié et une longueur de fixations dont l'application n'est pas trop rigoureuse.
Débris dans l'embout.		Nettoyez la zone de l'embout et observez bien les petites pièces de clous brisées prises dans la coulisse.	
Magasin usé.		Remplacez le magasin. Consultez un centre de services autorisé.	
Ressorts de retour endommagés ou usés.		Remplacez les ressorts. Consultez Trousse de remplacement des ressorts de retour ou visitez un centre de service autorisé.	
Profil endommagé ou usé.		Remplacez le profil. Consultez Remplacer le profil ou visitez un centre de service autorisé.	



ADVERTENCIA: *Lea todas las advertencias de seguridad e instrucciones. El incumplimiento de las advertencias e instrucciones puede provocar descargas eléctricas, incendios o lesiones graves.*



ADVERTENCIA: *Para reducir el riesgo de lesiones, lea el manual de instrucciones.*

Uso Debido

La clavadora inalámbrica CMCN630PT ha sido diseñada para clavar clavos en piezas de trabajo de madera.

NO utilice la herramienta en condiciones de humedad o en presencia de líquidos o gases inflamables.

Esta clavadora inalámbrica es una herramienta eléctrica profesional.

NO permita que los niños toquen la herramienta. Si el operador no tiene experiencia operando esta herramienta, su uso deberá ser supervisado.

Definiciones: Símbolos y Palabras de Alerta de Seguridad

Este manual de instrucciones utiliza los siguientes símbolos y palabras de alerta de seguridad para alertarle de situaciones peligrosas y del riesgo de lesiones corporales o daños materiales.



PELIGRO: *Indica una situación de peligro inminente que, si no se evita, provocará la muerte o lesiones graves.*



ADVERTENCIA: *Indica una situación de peligro potencial que, si no se evita, podría provocar la muerte o lesiones graves.*



ATENCIÓN: *Indica una situación de peligro potencial que, si no se evita, posiblemente provocaría lesiones leves o moderadas.*



(Utilizado sin palabras) indica un mensaje de seguridad relacionado.

AVISO: *Se refiere a una práctica no relacionada a lesiones corporales que de no evitarse puede resultar en daños a la propiedad.*

ADVERTENCIAS GENERALES DE SEGURIDAD PARA HERRAMIENTAS ELÉCTRICAS



ADVERTENCIA: *Lea todas las advertencias de seguridad, instrucciones, ilustraciones y especificaciones incluidas con esta herramienta eléctrica. La falla en seguir todas las instrucciones siguientes puede resultar en descarga eléctrica, incendio y/o lesiones serias.*

CONSERVE TODAS LAS ADVERTENCIAS E INSTRUCCIONES PARA FUTURAS CONSULTAS

El término "herramienta eléctrica" incluido en las advertencias hace referencia a las herramientas eléctricas operadas con corriente (con cable eléctrico) o a las herramientas eléctricas operadas con baterías (inalámbricas).

1) Seguridad en el Área de Trabajo

- Mantenga el área de trabajo limpia y bien iluminada.** *Las áreas abarrotadas y oscuras propician accidentes.*
- No opere las herramientas eléctricas en atmósferas explosivas, como ambientes donde haya polvo, gases o líquidos inflamables.** *Las herramientas eléctricas originan chispas que pueden encender el polvo o los vapores.*
- Mantenga alejados a los niños y a los espectadores de la herramienta eléctrica en funcionamiento.** *Las distracciones pueden provocar la pérdida de control.*

2) Seguridad Eléctrica

- Los enchufes de la herramienta eléctrica deben adaptarse al tomacorriente. Nunca modifique el enchufe de ninguna manera. No utilice ningún enchufe adaptador con herramientas eléctricas con conexión a tierra.** *Los enchufes no modificados y que se adaptan a los tomacorrientes reducirán el riesgo de descarga eléctrica.*
- Evite el contacto corporal con superficies con descargas a tierra como, por ejemplo, tuberías, radiadores, cocinas eléctricas y refrigeradores.** *Existe mayor riesgo de descarga eléctrica si su cuerpo está puesto a tierra.*
- No exponga las herramientas eléctricas a la lluvia o a condiciones de humedad.** *Si entra agua a una herramienta eléctrica, aumentará el riesgo de descarga eléctrica.*
- No maltrate el cable. Nunca utilice el cable para transportar, tirar o desenchufar la herramienta eléctrica. Mantenga el cable alejado del calor, el aceite, los bordes filosos y las piezas móviles.** *Los cables dañados o enredados aumentan el riesgo de descarga eléctrica.*
- Al operar una herramienta eléctrica en el exterior, utilice un cable prolongador adecuado para tal uso.** *Utilice un cable adecuado para uso en exteriores a fin de reducir el riesgo de descarga eléctrica.*
- Si el uso de una herramienta eléctrica en un lugar húmedo es imposible de evitar, utilice un suministro protegido con un interruptor de circuito por falla a tierra (GFCI).** *El uso de un GFCI reduce el riesgo de descargas eléctricas.*

3) Seguridad Personal

- Permanezca alerta, controle lo que está haciendo y utilice el sentido común cuando emplee una herramienta eléctrica. No utilice una herramienta eléctrica si está cansado o bajo el efecto de drogas, alcohol o medicamentos.** *Un momento de descuido mientras se opera una herramienta eléctrica puede provocar lesiones personales graves.*
- Utilice equipos de protección personal. Siempre utilice protección para los ojos.** *En las condiciones adecuadas, el uso de equipos de protección,*

como máscaras para polvo, calzado de seguridad antideslizante, cascos o protección auditiva, reducirá las lesiones personales.

- c) **Evite el encendido por accidente. Asegúrese de que el interruptor esté en la posición de apagado antes de conectarlo a la fuente de energía o paquete de baterías, o antes de levantar o transportar la herramienta.** Transportar herramientas eléctricas con el dedo apoyado en el interruptor o enchufar herramientas eléctricas con el interruptor en la posición de encendido puede propiciar accidentes.
- d) **Retire la clavija de ajuste o la llave de tuercas antes de encender la herramienta eléctrica.** Una llave de tuercas o una clavija de ajuste que quede conectada a una pieza giratoria de la herramienta eléctrica puede provocar lesiones personales.
- e) **No se estire. Conserve el equilibrio y párese adecuadamente en todo momento.** Esto permite un mejor control de la herramienta eléctrica en situaciones inesperadas.
- f) **Use la vestimenta adecuada. No use ropas holgadas ni joyas. Mantenga el cabello, la ropa y los guantes alejados de las piezas en movimiento.** Las ropas holgadas, las joyas o el cabello largo pueden quedar atrapados en las piezas en movimiento.
- g) **Si se suministran dispositivos para la conexión de accesorios con fines de recolección y extracción de polvo, asegúrese de que estén conectados y que se utilicen correctamente.** El uso de dispositivos de recolección de polvo puede reducir los peligros relacionados con el polvo.
- h) **No permita que la familiaridad obtenida a partir del uso frecuente de herramientas le permitan volverse descuidado e ignorar los principios de seguridad de la herramienta.** Una acción descuidada puede causar lesiones severas en una fracción de segundo.

4) Uso y Mantenimiento de la Herramienta Eléctrica

- a) **No fuerce la herramienta eléctrica. Utilice la herramienta eléctrica correcta para el trabajo que realizará.** Si se la utiliza a la velocidad para la que fue diseñada, la herramienta eléctrica correcta permite trabajar mejor y de manera más segura.
- b) **No utilice la herramienta eléctrica si no puede encenderla o apagarla con el interruptor.** Toda herramienta eléctrica que no pueda ser controlada mediante el interruptor es peligrosa y debe repararse.
- c) **Desconecte el enchufe de la fuente de alimentación y/o retire la batería, o paquete si es desmontable, de la herramienta eléctrica antes de realizar cualquier ajuste, cambiar accesorios o almacenar herramientas eléctricas.** Estas medidas de seguridad preventivas reducen el riesgo de encender la herramienta eléctrica en forma accidental.

- d) **Guarde la herramienta eléctrica que no esté en uso fuera del alcance de los niños y no permita que otras personas no familiarizadas con ella o con estas instrucciones operen la herramienta.** Las herramientas eléctricas son peligrosas si son operadas por usuarios no capacitados.
- e) **Dé mantenimiento a las herramientas eléctricas y accesorios. Revise que no haya piezas en movimiento mal alineadas o trabadas, piezas rotas o cualquier otra situación que pueda afectar el funcionamiento de la herramienta eléctrica. Si encuentra daños, haga reparar la herramienta eléctrica antes de utilizarla.** Se producen muchos accidentes a causa de las herramientas eléctricas que carecen de un mantenimiento adecuado.
- f) **Mantenga las herramientas de corte afiladas y limpias.** Las herramientas de corte con mantenimiento adecuado y con los bordes de corte afilados son menos propensas a trabarse y son más fáciles de controlar.
- g) **Utilice la herramienta eléctrica, los accesorios y las brocas de la herramienta, etc. de acuerdo con estas instrucciones y teniendo en cuenta las condiciones de trabajo y el trabajo que debe realizarse.** El uso de la herramienta eléctrica para operaciones diferentes de aquéllas para las que fue diseñada podría originar una situación peligrosa.
- h) **Mantenga las manijas y superficies de sujeción secas, limpias y libres de aceite y grasa.** Las manijas y superficies de sujeción resbalosas no permiten el manejo y control seguros de la herramienta en situaciones inesperadas.

5) Uso y Mantenimiento de la Herramienta con Baterías

- a) **Recargue solamente con el cargador especificado por el fabricante.** Un cargador adecuado para un tipo de paquete de baterías puede originar riesgo de incendio si se utiliza con otro paquete de baterías.
- b) **Utilice herramientas eléctricas sólo con paquetes de baterías específicamente diseñados.** El uso de cualquier otro paquete de baterías puede producir riesgo de incendio y lesiones.
- c) **Cuando no utilice el paquete de baterías, manténgalo lejos de otros objetos metálicos como sujetapapeles, monedas, llaves, clavos, tornillos u otros objetos metálicos pequeños que puedan realizar una conexión desde un terminal al otro.** Los cortocircuitos en los terminales de la batería pueden provocar quemaduras o incendio.
- d) **En condiciones abusivas, el líquido puede ser expulsado de la batería. Evite su contacto. Si entra en contacto accidentalmente, enjuague con agua. Si el líquido entra en contacto con los ojos, busque atención médica.** El líquido expulsado de la batería puede provocar irritación o quemaduras.
- e) **No use un paquete de batería o herramienta que estén dañados o modificados.** Las baterías dañadas o modificadas pueden presentar un comportamiento

impredecible que resulte en incendios, explosión o riesgo de lesiones.”

- f) **No exponga un paquete de batería o una herramienta a fuego o temperatura excesiva.** La exposición a fuego o temperaturas mayores a 129 °C (265 °F) pueden causar una explosión.”
- g) **Siga todas las instrucciones de carga y no cargue el paquete de batería o la herramienta fuera del rango de temperatura especificado en las instrucciones.** Cargar inadecuadamente o en una temperatura fuera del rango de temperatura especificado puede dañar la batería e incrementar el riesgo de incendio.

6) Mantenimiento

- a) **Solicite a una persona calificada en reparaciones que realice el mantenimiento de su herramienta eléctrica y que sólo utilice piezas de repuesto idénticas.** Esto garantizará la seguridad de la herramienta eléctrica.
- b) **Nunca dé servicio a paquetes de batería dañados.** El servicio de paquetes de batería sólo debe ser realizado por el fabricante o proveedores de servicio autorizados.

Advertencias de Seguridad de la Clavadora

- **Suponga siempre que la herramienta contiene clavos.** El manejo descuidado de la clavadora puede provocar un disparo inesperado de los clavos y lesiones corporales.
- **No apunte la herramienta hacia sí mismo ni hacia nadie que esté cerca.** El disparo inesperado descargará un clavo y causará una herida.
- **No ponga en funcionamiento la herramienta a menos que esté colocada firmemente contra la pieza de trabajo.** Si la herramienta no está en contacto con la pieza de trabajo, el clavo puede desviarse de su objetivo.
- **Desconecte la herramienta de la fuente de alimentación cuando se atasque el clavo en la herramienta.** Mientras se saca un clavo atascado, la clavadora puede activarse accidentalmente si está conectado a la fuente de energía.
- **No use esta clavadora para sujetar cables eléctricos.** No está diseñada para la instalación de cables eléctricos y puede dañar el aislamiento de los cables eléctricos y causar una descarga eléctrica o peligros de incendio.

Advertencias de Seguridad Adicionales de la Clavadora



ADVERTENCIA: Al utilizar una clavadora, deben seguirse todas las precauciones de seguridad descritas a continuación, a fin de evitar el riesgo de muerte o lesiones graves. Lea y comprenda todas las instrucciones antes de emplear la herramienta.



ADVERTENCIA: NUNCA rocíe o aplique lubricantes o disolventes limpiadores dentro de la herramienta. Esto podría afectar seriamente la vida y el rendimiento de la herramienta.



ADVERTENCIA: si se ha caído la herramienta o sospecha que está dañada, realice una verificación de funcionamiento de la herramienta según se define en la sección de selección de modo del manual. Si no funciona según las indicaciones del manual, deje de usar la herramienta y llévela para que sea reparada en un centro de servicio autorizado.

- **Mantenga las manos y partes del cuerpo alejadas del área de descarga de la herramienta.** Mientras esté en uso NUNCA sujete la herramienta por el cargador o depósito, un clavo insertado incorrectamente puede salir de la punta causando lesiones.
- **Sostenga la herramienta por las superficies de sujeción aisladas cuando realice una operación en la que el sujetador pueda tener contacto con cableado oculto.** El contacto con un cable con corriente eléctrica hará que las partes expuestas de la herramienta tengan corriente y que el operador reciba una descarga eléctrica.
- **La herramienta en funcionamiento puede generar residuos volátiles, materiales colacionados o polvo que pueden dañar los ojos del operador.** El operador y toda otra persona que se encuentre en el área de trabajo DEBEN usar anteojos de seguridad con protección lateral. Estos anteojos de seguridad deben cumplir con los requisitos ANSI Z87.1 (los anteojos aprobados tienen impreso o estampado “Z87”). Es responsabilidad del empleador exigir el uso de equipo de protección para los ojos por parte del operador de la herramienta y de las personas en el área de trabajo.
- **Siempre utilice la protección auditiva apropiada mientras usa la herramienta.** En ciertas circunstancias y según el período de uso, el ruido de este producto puede contribuir a la pérdida de audición.
- **Desconecte la batería de la herramienta cuando no esté usándola.** Saque siempre la batería y saque los clavos del cargador antes de marcharse de la zona o de pasarle la herramienta a otro operador. No lleve la herramienta a otra zona de trabajo con la batería conectada cuando tenga que usar andamios, escaleras, escaleras de mano, etc. para llegar a la nueva zona de trabajo. No realice ajustes y mantenimiento o desatasque clavos cuando la batería esté en su sitio.
- **No saque, altere o provoque de otro modo que la herramienta, el gatillo o el botón de bloqueo del gatillo dejen de funcionar.** No ate ni fije con cinta adhesiva el gatillo en la posición de ENCENDIDO. No saque el muelle del activador por contacto. Haga inspecciones diarias para el movimiento libre del gatillo. Se puede producir una descarga descontrolada.
- **Inspeccione la herramienta antes de utilizarla. No utilice la herramienta si cualquier parte de la misma, el gatillo o el botón de bloqueo del gatillo ha dejado de funcionar, está desconectado, alterado o no funciona bien.** Las piezas dañadas o que falten deben ser reparadas o cambiadas antes de usar la herramienta. Consulte la sección **Reparaciones**.
- **No altere ni modifique la herramienta de ninguna forma.**

- **Siempre dé por sentado que la herramienta contiene elementos de fijación.**
- **No apunte la herramienta hacia sus compañeros de trabajo ni hacia usted en ningún momento.** ¡No la use a modo de juego! Trabaje en forma segura. Respete la herramienta como un elemento de trabajo.
- **Mantenga a espectadores, niños y visitantes alejados de la herramienta eléctrica en funcionamiento.** Las distracciones pueden provocar la pérdida de control. Cuando la herramienta no esté en uso, se debe guardarla en un lugar seguro, fuera del alcance de los niños.
- **Use siempre el botón de bloqueo del gatillo cuando la herramienta no vaya a usarse inmediatamente.** El usar el botón de bloqueo del gatillo evitará una descarga accidental.
- **No se estire.** Conserve el equilibrio y párese adecuadamente en todo momento. La pérdida del equilibrio podría provocar una lesión personal.
- **Utilice la herramienta sólo para la función para la que fue diseñada. No descargue los elementos de fijación al aire, hormigón, piedra, madera muy dura, nudos o cualquier material demasiado duro para que lo penetren.** No utilice el cuerpo de la herramienta o la tapa superior como un martillo. Los elementos de fijación descargados podrían hacer un camino inesperado y causar una lesión.
- **Siempre deje los dedos lejos del activador por contacto para evitar que se produzcan lesiones por la liberación inadvertida del impulsor.**
- **Consulte las secciones Mantenimiento y Reparaciones para obtener información detallada sobre el mantenimiento correcto de la herramienta.**
- **Opere siempre la herramienta en un área limpia e iluminada.** Asegúrese de que la superficie de trabajo esté libre de cualquier residuo y tenga cuidado de no perder el equilibrio cuando trabaja en lugares altos, como techos.
- **No clave elementos de fijación cerca de los bordes del material.** La pieza de trabajo puede partirse y hacer que el elemento de fijación rebote y lo lesione a usted o a un compañero de trabajo. Tenga en cuenta que el clavo podría seguir la veta de la madera y sobresalir en forma inesperada del costado del material de trabajo. Coloque la punta de cincel del clavo en forma perpendicular a la veta para reducir el riesgo de lesiones.)
- **No coloque clavos sobre otros elementos de fijación, o con la herramienta en un ángulo demasiado pronunciado.** Podría producirse una lesión personal a causa de un fuerte retroceso, el atascamiento de los elementos de fijación o el rebote de los clavos.
- **Mantenga las manos y las partes del cuerpo fuera del área de trabajo inmediata.** Sostenga la pieza de trabajo con abrazaderas cuando sea necesario para mantener las manos y el cuerpo alejados de daños potenciales. Asegúrese de que la pieza de trabajo esté bien sujeta antes de presionar la clavadora en el material. El activador por contacto puede hacer que el material de trabajo se mueva en forma inesperada.
- **No utilice la herramienta en presencia de polvo, gases o vapores inflamables.** La herramienta puede producir una chispa que le prenda fuego a los gases y provoque un incendio. Clavar un clavo sobre otro clavo también puede producir una chispa.
- **Mantenga la cara y las partes del cuerpo alejados de la parte posterior de la tapa de la herramienta cuando trabaje en áreas restringidas.** Un retroceso repentino puede ocasionar un impacto al cuerpo, especialmente al clavar en materiales duros o densos.
- **Agarre la herramienta firmemente para mantener el control mientras permite que la misma retroceda de la superficie de trabajo cuando se inserta el clavo.**
- **La elección del método de disparo es importante.** Verifique las opciones de disparo en el manual.
- **Seleccione siempre un sistema de actuación que sea apropiado para la aplicación del sujetador y la capacitación del operador.**
- **Tenga cuidado al manipular, cargar o descargar sujetadores.** Los sujetadores tienen puntas afiladas que podrían causar lesiones.
- **Sólo use guantes que brinden la sensación adecuada y el control seguro del gatillo y de cualquier dispositivo de ajuste.**
- **Conozca el espesor del material cuando utilice la clavadora.** Un clavo que sobresale puede provocar una lesión.
- **Ajuste de la profundidad: Para reducir el riesgo de lesiones graves debidas a una puesta en marcha accidental al tratar de ajustar la profundidad, SIEMPRE:**
 - Retire el paquete de baterías.
 - Active el botón de bloqueo del gatillo.
 - Evite tocar el disparador durante los ajustes.
- **No coloque clavos a ciegas en paredes, pisos u otras áreas de trabajo.** Los sujetadores que se introduzcan en cables eléctricos, plomería u otros tipos de obstrucciones pueden provocar lesiones y/o daño a la propiedad.
- **Permanezca alerta, concéntrese en lo que está haciendo y utilice el sentido común cuando emplee una herramienta eléctrica. No utilice la herramienta si está cansado o bajo el efecto de drogas, alcohol o medicamentos.** Un momento de descuido mientras se opera una herramienta eléctrica puede provocar lesiones personales graves.

Información de Seguridad Adicional



ADVERTENCIA: Nunca modifique la herramienta eléctrica o ninguna parte de ella. Podría resultar en daño o lesiones personales.



ADVERTENCIA: SIEMPRE use gafas de seguridad. Las gafas de uso diario NO son gafas de seguridad. También use una careta o máscara de polvo si la operación de corte produce polvo. SIEMPRE USE EQUIPO DE SEGURIDAD CERTIFICADO:

- Protección para los ojos ANSI Z87.1 (CAN/CSA Z94.3),
- Protección auditiva ANSI S12.6 (S3.19),

- Protección respiratoria NIOSH/OSHA/MSHA.



ADVERTENCIA: *Algún polvo creado por lijado, aserrado, pulido, perforación eléctricos y otras actividades de construcción contienen químicos conocidos por el Estado de California como causantes de cáncer, defectos de nacimiento u otros daños reproductivos. Algunos ejemplos de estos químicos son:*

- plomo a partir de pinturas a base de plomo,
- sílice cristalino de ladrillos y cemento y otros productos de mampostería, y
- arsénico y cromo a partir de madera tratada químicamente.

Su riesgo de exposición a estos químicos varía, dependiendo de la frecuencia con la cual realiza usted este tipo de trabajo. Para reducir su exposición a estas sustancias químicas: trabaje en una zona bien ventilada y llevando equipos de seguridad aprobados, como mascarillas antipolvo especialmente diseñadas para filtrar partículas microscópicas.

- **Use ropa de protección y lave las áreas expuestas con agua y jabón.** Permitir que el polvo entre en su boca, ojos, o que quede sobre la piel puede promover la absorción de químicos peligrosos. Dirija las partículas lejos de la cara y el cuerpo.
- **Use la aspiradora de extracción de polvo adecuada para retirar la mayoría de polvo estático y transportado por aire.** La falla en retirar el polvo estático y transportado por aire podría contaminar el ambiente de trabajo y presentar un riesgo de salud mayor al operador y personas en las cercanías.
- **Use abrazaderas u otras maneras prácticas para asegurar y soportar la pieza de trabajo a una plataforma estable.** Sostener el trabajo a mano o contra su cuerpo es inestable y puede guiar a la pérdida de control y lesiones.
- **Las ventilas de aire a menudo cubren las partes móviles y se deben evitar.** La ropa suelta, joyería, o cabello largo podrían quedar atrapados en las partes móviles.



ATENCIÓN: *Cuando no esté en uso, coloque la herramienta en su lado sobre una superficie estable donde no cause un peligro de tropiezo o caída. Algunas herramientas con paquetes de batería grandes pueden quedar verticales sobre el paquete de batería pero se pueden volcar fácilmente.*

La etiqueta en su herramienta puede incluir los siguientes símbolos. Los símbolos y sus definiciones son los siguientes:

BPM.....golpes por minuto	W.....watts
V.....voltios	Wh.....Watt Horas
min.....minutos	n ₀velocidad sin carga
== o DC.....corriente directa	n.....velocidad nominal
.../min.....por minutosímbolo de alerta de seguridad
RPM.....revoluciones por minutouse protección respiratoria
A.....ampéres	
Hz.....hertz	



.....use protección para los ojos



.....lea toda la documentación



.....Construcción Clase II (aislamiento doble)



.....evite mirar fijamente la luz



.....use protección auditiva



.....corriente alterna

Ah.....amperios hora

BATERÍAS Y CARGADORES

El paquete de batería no está completamente cargado cuando se retira del cartón. Antes de usar la batería y el cargador, lea las siguientes instrucciones de seguridad y luego siga los procedimientos de carga descritos. Cuando solicite paquetes de baterías de repuesto, asegúrese de incluir el número de catálogo y el voltaje.

LEA TODAS LAS INSTRUCCIONES

Instrucciones de Seguridad Importantes para Todos los Paquetes de Batería



ADVERTENCIA: *Lea todas las advertencias de seguridad, instrucciones y marcas de precaución para el paquete de la batería, el cargador y el producto. La falla en seguir las advertencias e instrucciones puede resultar en descarga eléctrica, incendio y/o lesiones serias.*

- **No cargue o use el paquete de batería en atmósferas explosivas, como en la presencia de líquidos, gases o polvo inflamables.** Insertar o retirar el paquete de batería del cargador puede encender el polvo y los vapores.
- **NUNCA fuerce el paquete de batería dentro del cargador. NO modifique el paquete de batería en ninguna forma para instalarlo en un cargador no compatible ya que el paquete de batería se puede romper causando lesiones personales serias.** Consulte la tabla al final de este manual respecto a compatibilidad de las baterías y cargadores.
- **Cargue los paquetes de batería sólo en CRAFTSMAN.**
- **NO salpique ni sumerja en agua u otros líquidos.**
- **NO permita que agua o ningún otro líquido entre al paquete de batería.**
- **No almacene ni use la herramienta y el paquete de baterías en lugares donde la temperatura pueda alcanzar o exceder los 40 °C (104 °F) (como cobertizos exteriores o edificios de metal en verano).** Para obtener la mejor vida útil, guarde los paquetes de baterías en un lugar fresco y seco.
- **NOTE: No guarde los paquetes de baterías en una herramienta con el interruptor de gatillo bloqueado. Nunca sujete con cinta el interruptor de gatillo en la posición ON.**
- **No incinere el paquete de batería incluso si está dañado severamente o está completamente agotada.** El paquete de batería pueden explotar en el fuego. Se crean humos y materiales tóxicos cuando se queman los paquetes de baterías de ion de litio.
- **Si el contenido de la batería entra en contacto con la piel, lave de inmediato el área con jabón suave y**

agua. Si el líquido de la batería entra en los ojos, enjuague con agua sobre el ojo abierto durante 15 minutos o hasta que desaparezca la irritación. Si se necesita atención médica, el electrólito de la batería está compuesto por una mezcla de carbonatos orgánicos líquidos y sales de litio.

- **El contenido de las celdas de batería abiertas puede causar irritación respiratoria.** Proporcione aire fresco. Si los síntomas persisten, busque atención médica.
- **El líquido de la batería puede ser inflamable si se expone a chispas o llamas.**

- **Nunca intente abrir el paquete de baterías por ninguna razón. Si la caja del paquete de baterías está agrietada o dañada, no la inserte en el cargador.**

No aplaste, deje caer o dañe el paquete de la batería. No use un paquete de baterías o cargador que haya recibido un golpe fuerte, se haya dejado caer, se haya aplastado o dañado de cualquier manera (por ej., perforado con un clavo, golpeado con un martillo, o pisado). Los paquetes de batería dañados se deben regresar al centro de servicio para reciclaje.

Recomendaciones de Almacenamiento

El mejor lugar de almacenamiento es aquel que es fresco y seco, alejado de la luz solar directa y del exceso de calor o frío. Guarde el paquete de batería completamente cargado fuera del cargador.

Instrucciones de Limpieza de Paquete de Batería

La suciedad y grasa se pueden retirar del exterior de la paquete de batería con una tela o cepillo no metálico suave. No use agua o ninguna solución de limpieza.

Paquetes de Baterías de Indicador de Combustible (Fig. B)

Algunos paquetes de batería incluyen un indicador de combustible. Cuando se presiona y sostiene el botón de indicador de combustible, las luces LED indicarán el nivel de carga aproximado restante. Éste no indica la funcionalidad de la herramienta y está sujeto a variación en base a los componentes del producto, la temperatura y la aplicación del usuario final.

Transporte



ADVERTENCIA: Riesgo de Incendio. No guarde, transporte, o lleve el paquete de batería de forma que objetos de metal puedan tener contacto con las terminales expuestas de la batería. Por ejemplo, no coloque la batería en delantales, bolsillos, cajas de herramientas, cajas de juego de productos, cajones, etc., con clavos sueltos, tornillos, llaves, monedas, herramientas manuales, etc. Al transportar paquetes de baterías individuales, asegúrese que las terminales de la batería estén protegidas y bien aisladas de materiales que puedan entrar en contacto con ellas y causar un cortocircuito. **NOTA:** Los paquetes de batería de ion de litio no se deben colocar en equipaje de mano en aviones y se deben proteger adecuadamente contra corto circuito si están en el equipaje registrado.

El Sello RBRC®

Lleve sus paquetes de batería agotados a un centro de servicio autorizado o a su minorista local para reciclarlas. En algunas áreas, es ilegal colocar paquetes de batería gastados en la basura. También puede comunicarse con su centro de reciclaje local para obtener información sobre dónde dejar el paquete de batería agotado. No las coloque en el reciclaje de la acera. Para información adicional visite www.call2recycle.org. O llame al número de larga distancia gratuito en el Sello RBRC®.

RBRC® es una marca comercial registrada de Call 2 Recycle, Inc.



Instrucciones de Seguridad Importantes para Todos los Cargadores de Batería



ADVERTENCIA: Lea todas las advertencias de seguridad, instrucciones y marcas de precaución para el paquete de la batería, el cargador y el producto. La falla en seguir las advertencias e instrucciones puede resultar en descarga eléctrica, incendio y/o lesiones serias.

- **NO intente cargar el paquete de batería con cargadores diferentes al CRAFTSMAN.** CRAFTSMAN y los paquetes de batería están diseñados específicamente para funcionar juntos.
- **Estos cargadores no están destinados para ningún otro uso que no sea cargar CRAFTSMAN.** Cargar otros tipos de baterías puede causar que se sobrecalienten y exploten, resultando en lesiones personales, daño a la propiedad, incendio, descarga eléctrica o electrocución.
- **No exponga el cargador a la lluvia o la nieve.**
- **NO permita que agua o ningún otro líquido entre al cargador.**
- **Jale por el enchufe en lugar del cable cuando desconecte el cargador.** Esto reducirá el riesgo de daños al enchufe y cable eléctricos.
- **Asegúrese que el cable esté ubicado de forma que no se pueda pisar, provoque tropiezos, o de otra forma esté sujeto a daño o esfuerzo.**
- **No use un cable de extensión a menos que sea absolutamente necesario.** El uso de un cable de extensión inadecuado podría resultar en riesgo de incendio, descarga eléctrica o electrocución.
- **Cuando opere un cargador al aire libre, proporcione siempre un lugar seco y use un cable de extensión adecuado para uso en exteriores.** El uso de un cable adecuado para uso en exteriores reduce el riesgo de descarga eléctrica.
- **Un cable de extensión debe tener un tamaño de cable adecuado (AWG o American Wire Gauge) por seguridad.** Cuanto menor es el número de calibre del cable, el cable será más pesado y por lo tanto su capacidad. Un cable de tamaño inferior causará una caída en el voltaje en línea que resulta en una pérdida de energía y sobrecalentamiento. La siguiente tabla muestra el tamaño correcto a usar dependiendo de la longitud total de todos los cables de extensión juntos, y la clasificación de amperes

de la placa de identificación. Si tiene duda, use el calibre más pesado siguiente.

Calibre mínimo para juegos de cable

Voltios		Longitud total de cable en pies (metros)			
120V		25 (7.6)	50 (15.2)	100 (30.5)	150 (45.7)
Clasificación de amperes		American Wire Gauge			
Mayor a	No mayor a				
0	6	18	16	16	14
6	10	18	16	14	12
10	12	16	16	14	12
12	16	14	12	No recomendado	

- **No coloque ningún objeto encima del cargador ni coloque el cargador sobre una superficie blanda que pueda bloquear las ranuras de ventilación y provocar un calor interno excesivo.** Coloque el cargador en una posición lejos de cualquier fuente de calor. El cargador se ventila a través de ranuras en la parte superior e inferior del alojamiento.
- **No opere el cargador con un cable o enchufe dañado.** Solicite que los replacen inmediatamente.
- **No opere el cargador si recibió un golpe fuerte, se dejó caer o se dañó de cualquier manera.** Llévelo a un centro de servicio autorizado.
- **No desensamble el cargador; llévelo a un centro de servicio autorizado cuando se requiera servicio o reparación.** El reensamble incorrecto puede resultar en un riesgo de descarga eléctrica, electrocución o incendio.
- **El cargador está diseñado para operar con corriente eléctrica doméstica estándar de 120V. No intente usarlo en ningún otro voltaje.** Esto no aplica al cargador de vehículos.
- **Los materiales extraños de naturaleza conductiva tales como, pero sin limitarse a, polvo de pulido, rebabas de metal, lana de acero, papel aluminio, o cualquier acumulación de partículas metálicas se deben mantener alejados de las cavidades y ranuras de ventilación del cargador.**
- **Siempre desconecte el cargador del suministro de energía cuando no haya paquete de baterías en la cavidad.**

Carga de la Batería (Fig. C)

1. Conecte el cargador en un tomacorriente apropiado.
2. Inserte y asiente completamente el paquete de batería. La luz de carga verde parpadeará continuamente mientras carga.
3. La carga es completa cuando la luz verde permanece encendida continuamente. El paquete de batería se puede dejar en el cargador o retirarse.
4. El cargador no cargará un paquete de batería defectuoso, lo que puede indicarse por la luz que permanece apagada. Lleve el cargador y el paquete de batería a un centro de servicio autorizado si la luz permanece apagada.

NOTA: Consulte la etiqueta cerca de la luz de carga en el cargador respecto a los patrones de parpadeo.

Demora de Paquete Caliente/Frío

Cuando el cargador detecta un paquete de batería que esté demasiado caliente o demasiado frío, comienza automáticamente una Demora de Paquete Caliente/Frío, suspendiendo la carga hasta que el paquete de batería alcance una temperatura apropiada. El cargador cambia automáticamente al modo de carga del paquete. Esta característica garantiza la vida máxima del paquete de batería.

Un paquete de batería frío puede cargar a un ritmo más lento que un paquete de batería caliente.

La demora de paquete caliente/frío se indicará por la luz verde que continúa parpadeando pero con la luz roja encendida continuamente. Una vez que la batería haya alcanzado la temperatura adecuada, la luz roja se apagará y el cargador reanudará el proceso de carga.

Sistema de Protección Electrónica

Las herramientas de ion de litio están diseñadas con un Sistema de Protección Electrónica que protegerá el paquete de batería contra sobrecarga, sobrecalentamiento o descarga profunda. La herramienta se apagará automáticamente y el paquete de batería se necesitará volver a cargar.

Notas Importantes de Carga

1. El cargador y el paquete de baterías pueden calentarse al tacto durante la carga. Esta es una condición normal y no indica un problema. Para facilitar el enfriamiento de la batería después de su uso, evite colocar el cargador o la batería en un ambiente cálido, como en un cobertizo de metal o un remolque sin aislamiento.
2. Si la batería no se carga correctamente:
 - a. Verifique la operación del receptáculo conectando una lámpara u otro aparato;
 - b. Revise si el receptáculo está conectado a un interruptor de luz que apegue la energía cuando apague las luces;
 - c. Si persisten los problemas de carga, lleve la herramienta, el paquete de batería y el cargador a su centro de servicio local.
3. Puede cargar un paquete parcialmente usado cuando lo desee sin ningún efecto adverso en el paquete de baterías.

Instrucciones de Limpieza de Cargador

⚠️ ADVERTENCIA: Riesgo de descarga eléctrica. Desconecte el cargador del tomacorriente CA antes de limpiar. La suciedad y grasa se pueden retirar del exterior del cargador con una tela o cepillo no metálico suave. No use agua o ninguna solución de limpieza.

Montaje en Pared

Algunos cargadores CRAFTSMAN están diseñados para poderse montar en pared o colocarse vertical sobre una mesa o superficie de trabajo. Si se monta en pared, localice el cargador dentro del alcance de un tomacorriente eléctrico, y lejos de una esquina u otras obstrucciones que puedan impedir el flujo de aire. Use la parte posterior del cargador como una plantilla para la ubicación de los tornillos de

montaje en la pared. Instale el cargador firmemente con tornillos para Tablaroca (adquiridos por separado) por lo menos de 25,4 mm (1") de largo, con un diámetro de cabeza de tornillo de 7–9 mm (0.28–0.35"), atornillados en madera a una profundidad óptima dejando aproximadamente 5,5 mm (7/32") de tornillo expuesto. Alinee las ranuras en la parte posterior del cargador con los tornillos expuestos y conéctelos completamente dentro de las ranuras.

VersaTrack™

Los cargadores CRAFTSMAN pueden montarse en la pared con VersaTrack™ Trackwall de CRAFTSMAN. Los ganchos y accesorios se venden por separado. Consulte la hoja de accesorios VersaTrack™ Trackwall para obtener más información.

GUARDE ESTAS INSTRUCCIONES PARA VOLVER A CONSULTAR EN EL FUTURO MONTAJE Y AJUSTES



ADVERTENCIA: Para reducir el riesgo de lesiones personales, apague la unidad y retire el paquete de batería antes de realizar cualquier ajuste o retirar/instalar conexiones o accesorios.

Una activación de arranque accidental puede causar lesiones.

Preparación de la herramienta



AVISO: NUNCA rocíe o de ninguna manera aplique lubricantes o solventes de limpieza dentro de la herramienta. Esto puede afectar seriamente la vida y desempeño de la herramienta.

NOTA: El paquete de batería no está completamente cargado cuando se retira del cartón. Siga las instrucciones descritas (consulte **Carga de batería**).

1. Lea la sección **Advertencias de seguridad de la pistola de clavos** de este manual.
2. Use protección para los ojos y los oídos.
3. Retire la batería de la herramienta.
4. Asegúrese que el cargador esté vacío de todos los sujetadores.
5. Revise la operación suave y adecuada de los ensambles de disparo de contacto y empuje. No use la herramienta si cualquier ensamble no funciona adecuadamente. **NUNCA** use una herramienta que tenga el disparo de contacto restringido en la posición accionada.
6. Mantenga la herramienta apuntada al lado opuesto de su cuerpo y otras personas.
7. Inserte el paquete de batería completamente cargado.

OPERACIÓN



ADVERTENCIA: Para reducir el riesgo de lesiones personales, apague la unidad y retire el paquete de batería antes de realizar cualquier ajuste o retirar/instalar conexiones o accesorios.

Una activación de arranque accidental puede causar lesiones.

Instalación y Desinstalación de Paquete de Batería (Fig. D)

NOTE: Para mejores resultados, asegúrese que su paquete de batería esté completamente cargado.

Para instalar el paquete de batería **11** en la manija de la herramienta, alinee el paquete de la batería con los rieles dentro de la manija de la herramienta y deslícelo en la manija hasta que el paquete de batería esté asentado firmemente en la herramienta y asegúrese que no se desconecte.

Para retirar el paquete de batería de la herramienta, presione el botón de liberación **13** y jale firmemente el paquete de batería fuera de la manija de la herramienta. Insértelo en el cargador como se describe en la sección de cargador de este manual.

Posición adecuada de las manos (Fig. E)



ADVERTENCIA: Para reducir el riesgo de lesión personal grave, tenga **SIEMPRE** las manos en una posición adecuada como se muestra.



ADVERTENCIA: Para reducir el riesgo de lesión personal grave, sujete **SIEMPRE** bien en caso de que haya una reacción repentina.

La posición de mano adecuada requiere una mano en la manija **12** como se muestra.

Uso de bloqueo de apagado de gatillo (Fig. F)



ADVERTENCIA: Para reducir el riesgo de lesiones personales graves, no mantenga presionado el gatillo cuando la herramienta no esté en uso. Mantenga el interruptor de bloqueo del gatillo **BLOQUEADO** cuando la herramienta no esté en uso.



ADVERTENCIA: Para reducir el riesgo de lesiones personales graves, bloquee el gatillo, desconecte el paquete de batería de la herramienta y retire los clavos del cargador antes de realizar ajustes.

Cada pistola de clavos está equipada con un bloqueo de apagado de gatillo **2** que, cuando se empuja a la derecha impide que la herramienta descargue un clavo al bloquear el gatillo y derivar la potencia al motor.

Cuando el bloqueo en apagado del gatillo se presiona a la izquierda, la herramienta será completamente operativa.

El bloqueo en apagado del gatillo siempre debe estar bloqueado en apagado (Fig. F) cuando se realice cualquier ajuste o cuando la herramienta no esté en uso inmediato.

AVISO: No almacene la herramienta con la batería instalada. Para evitar daños en el paquete y garantizar la mejor duración de la batería, guarde los paquetes de batería fuera de la herramienta o el cargador en un lugar fresco y seco.

Carga de la Herramienta (Fig. A)



ADVERTENCIA: No apunte la herramienta a ninguna persona ni a usted mismo.



ADVERTENCIA: No cargue nunca clavos con el activador por contacto o el gatillo activados.

ADVERTENCIA: Saque siempre la batería antes de cargar o descargar los clavos.

ATENCIÓN: Mantenga los dedos alejados del riel del liberador del propulsor para evitar lesiones.

ADVERTENCIA: El botón de bloqueo del gatillo debe siempre estar activado cuando se realicen ajustes o cuando la herramienta no esté utilizándose.

1. Ponga la clavadora al revés.
2. Deslice el seguro del liberador propulsor con resorte **8** hasta la base del cargador para bloquearlo en su sitio.
3. Ponga las tiras de clavos en la ranura de carga del cargador, asegurándose de que las cabezas de los clavos estén alineadas correctamente con la apertura de la ranura. (Consulte la sección **Especificaciones de los clavos** para determinar el tamaño compatible).
4. Manteniendo los dedos alejados del riel, cierre el cargador soltando el seguro del liberador del propulsor. Deje que el seguro se deslice con cuidado hacia adelante y engrane la tira de clavos.

Descarga de la Herramienta

ADVERTENCIA: El botón de bloqueo del gatillo debe siempre estar bloqueado cuando se realicen ajustes o cuando la herramienta no esté utilizándose.

1. Deslice el seguro del liberador del propulsor con resorte hasta la base del cargador para bloquearlo en su sitio.
2. Incline la herramienta hacia arriba hasta que la tira de clavos se deslice libremente fuera del cargador.
3. Con la batería quitada, compruebe la tobera para verificar que no queden clavos.

Bloqueo de Disparo sin Carga

La clavadora está equipada con un bloqueo de disparo sin carga que evita que la herramienta funcione cuando el cargador está casi vacío. Cuando quedan aproximadamente entre 4 clavos en el cargador, la herramienta deja de funcionar. Consulte la sección **Carga de la Herramienta** para volver a cargar una tira de clavos.

Ajuste de la Profundidad (Fig. G)

La profundidad a la que se clava un clavo puede ajustarse utilizando la rueda de ajuste de profundidad **3** en la tobera de la herramienta.

ADVERTENCIA: Para reducir el riesgo de lesiones graves debidas a una puesta en marcha accidental al tratar de ajustar la profundidad, SIEMPRE:

- Saque la batería.
 - Engrane el botón de bloqueo del gatillo.
 - No apunte nunca la tobera de la clavadora hacia usted.
 - Evite el contacto con el gatillo durante los ajustes.
1. Para clavar el clavo menos profundamente, gire la rueda de ajuste de profundidad **3** hacia la izquierda, hacia el icono del clavo poco profundo.

2. Para clavar el clavo más profundamente, gire la rueda de ajuste de profundidad **3** hacia la derecha, hacia el icono del clavo más profundo.

Punta de protección (Fig. H)

ADVERTENCIA: Siempre retire el paquete de batería antes de sujetar la punta de protección.

Cuando use esta herramienta en materiales más suaves que no desee marcar, como revestimiento de madera, use la punta de protección **14** sobre el disparo de contacto **6**.

Clavar

ADVERTENCIA: Utilice siempre protección para los ojos [ANSI Z87.1 (CAN / CSA Z94.3)] y auditiva ANSI S12.6 (S3.19) cuando utilice la herramienta.

ADVERTENCIA: Mantenga los dedos ALEJADOS del gatillo cuando no introduzca los clavos para evitar un accionamiento accidental.

Las pistolas de clavos inalámbricas se ensamblan de acuerdo con la norma ANSI SNT-101-2015.

Este modo de activación en secuencia proporciona la ubicación de clavo más precisa.

1. Presione completamente la punta contra la superficie de trabajo (el motor arrancará).
2. Jale del gatillo (el clavo se introducirá en la superficie de trabajo).
3. Libere el gatillo.
4. Levante la punta de la superficie de trabajo.
5. Repita los pasos 2 a 4 para la próxima aplicación.

AVISO: El disparo de contacto debe presionarse seguido de un tirón del gatillo para cada clavo seguido de una liberación tanto del disparo de contacto como del gatillo después de cada clavo.

Luz Indicadora de atasco/Ahogamiento (Fig. A)

Hay una luz indicadora de atasco/ahogamiento **4** ubicada en la parte trasera de la herramienta.

CONDICIÓN DE ATASCO/AHOGAMIENTO



Gire la palanca de liberación de atascamiento para liberar. Consulte **Liberación de atascamiento**.


Liberación de atascamiento (Fig. I)

Si la pistola de clavos se usa en madera más dura en la que toda la energía disponible en el motor se usa para introducir un sujetador, la herramienta puede ahogarse. La cuchilla del controlador no completará el ciclo de impulso y el indicador de atascamiento/ahogamiento parpadeará. Gire la palanca de liberación de ahogamiento **5** en la herramienta y se liberará el mecanismo.

NOTA: La herramienta se desactivará y no se restablecerá hasta que se retire y vuelva a insertar el paquete de batería. Si la cuchilla del controlador no regresa automáticamente a la posición de inicio, continúe a **Eliminación de clavo**

atascado. Si la unidad continúa ahogándose, revise el material y la longitud del sujetador para asegurarse que no sea una aplicación demasiado rigurosa.

Extracción de un Clavo Atascado (Fig. A, J)

 **ADVERTENCIA:** Para reducir el riesgo de lesiones personales graves, apague la herramienta y desconéctela de la fuente de alimentación antes de instalar y retirar accesorios, ajustar o cambiar configuraciones o realizar reparaciones. Un arranque accidental podría causar lesiones.

Si se atasca un clavo en la tobera, no apunte la herramienta hacia usted y siga estas instrucciones para extraerlo:

1. Saque la batería de la herramienta y engrane el botón de bloqueo del gatillo **2**.
2. Deslice el seguro del liberador del propulsor con resorte hasta la base del cargador para bloquearlo en su sitio y descargue la tira de clavos.
3. Utilizando la llave hexagonal **10** provista, afloje los dos pernos hexagonales **15** en la parte de arriba del cargador.
4. Gire el cargador **7** hacia adelante.
5. Saque el clavo atascado/doblado con unas pinzas si es necesario.
6. Si la hoja de la guía está en posición hacia abajo, gire la palanca de liberación de parada en la parte superior de la clavadora.
NOTA: Si la hoja de la guía no se reajusta después de girar la palanca de liberación de parada, puede ser necesario ajustar la hoja manualmente con un destornillador largo.
7. Vuelva a girar el cargador hasta su posición bajo la tobera de la herramienta y apriete los pernos hexagonales.
8. Vuelva a insertar la batería.
NOTA: La herramienta se desactivará y no se reajustará hasta que se haya sacado la batería y se haya vuelto a insertar.
9. Vuelva a insertar los clavos en el cargador (consulte la sección **Carga de la Herramienta**).
10. Libere el seguro del liberador del propulsor.
11. Desengrane el botón de bloqueo del gatillo cuando esté listo para seguir clavando.

NOTA: Si los clavos se atascan con frecuencia o la hoja de la guía no se reajusta continuamente, lleve la herramienta a un centro de servicio autorizado para que la reparen.

Funcionamiento en Climas Fríos

Cuando utilice herramientas a temperaturas bajo cero:


- Mantenga la herramienta lo más caliente posible antes de utilizarla.
- Accione la herramienta de 10 a 15 veces en madera de desecho antes de usarla.


Funcionamiento en Climas Cálidos


La herramienta debería funcionar normalmente. Sin embargo, no exponga la herramienta a la luz solar directa, ya que el calor excesivo puede deteriorar los topes y

otras piezas de goma con lo cual aumenta la necesidad de mantenimiento.

Gancho de Arrastre Giratorio (Fig. K)

 **ADVERTENCIA:** Quite los clavos del depósito antes de realizar ajustes o el mantenimiento de la herramienta. El incumplimiento de esta indicación podría provocar daños graves.

 **ATENCIÓN:** Cuando no se utilice, coloque la herramienta de costado en una superficie estable donde no haya peligro de tropezones o caídas.

 **ATENCIÓN:** Algunas herramientas con baterías grandes permanecerán de forma vertical sobre la batería, pero pueden derribarse fácilmente.

La clavadora inalámbrica incluye un gancho de arrastre giratorio **9** y puede posicionarse fácilmente hacia la izquierda o la derecha de la herramienta para adaptarse a los usuarios zurdos o diestros.

Si no se desea el uso del gancho, puede girarse hasta la parte delantera o trasera de la base del mango.

MANTENIMIENTO



 **ADVERTENCIA:** Para reducir el riesgo de lesiones personales, apague la unidad y retire el paquete de batería antes de realizar cualquier ajuste o retirar/instalar conexiones o accesorios. Una activación de arranque accidental puede causar lesiones.

TABLA DE MANTENIMIENTO DIARIO

ACCIÓN	Limpie el depósito, el impulsor y el mecanismo del activador por contacto.
MOTIVO	Permite que el depósito funcione correctamente, reduce el desgaste y previene los atascos.
PROCEDIMIENTO	La forma más eficaz de limpiar la herramienta es soplando con aire comprimido. El uso de aceites, lubricantes o solventes periódicamente no se recomienda ya que tienden a atraer residuos y/o dañan las piezas de plástico de la herramienta.
ACCIÓN	Antes de cada utilización, compruebe que todos los tornillos y clavos estén apretados e intactos.
POR QUÉ	Evita los atascos y el fallo prematuro de las piezas de la herramienta.
CÓMO	Apriete los tornillos flojos utilizando la llave hexagonal o atornillador adecuado.

Reemplazo de resortes de retorno y cuchilla de controlador

 **ADVERTENCIA:** Por su propia seguridad, lea el manual de instrucciones de la herramienta antes

de usar cualquier accesorio. La falla en seguir estas advertencias puede resultar en lesiones personales serias y daño serio a la herramienta y al accesorio. Al dar servicio a esta herramienta, utilice únicamente partes de repuesto idénticas.



ATENCIÓN: Si no se siente cómodo con el mantenimiento de su herramienta, llévela a un centro de servicio autorizado. El usuario sólo debe intentar reparar los resortes y la cuchilla de controlador. El resto del servicio debe ser completado por un centro de servicio autorizado.



ATENCIÓN: No lubrique ninguna parte de reemplazo. La lubricación puede dañar las partes y afectar seriamente la vida y desempeño de la herramienta.

AVISO: Todas las partes mecánicas del juego de reemplazo de resorte se muestran para mayor comodidad y verificación de la inclusión. El juego también contiene un paquete de adhesivo Loctite para usar en el Paso 9. Consulte la Fig. P.

Juego de reemplazo de resorte de retorno (Fig. L-P)

Para cambiar resortes de retorno rotos o desgastados

NOTA: Los resortes se deben reemplazar como un par, utilizando únicamente el juego de reemplazo de resorte de accesorios correcto.

- Usando la llave hexagonal **10** incluida, afloje los dos tornillos **16** en cada lado de la unidad. Consulte la Figura L.
 - Retire el sistema de retorno **17** de la unidad. Consulte la Figura M.
 - Deslice el sujetador del riel del resorte **18** fuera del riel del resorte **19**. Consulte la Figura N.
 - Gire y retire el tope de resorte **20** y retire la arandela **21** y el resorte de retorno **22**. Consulte la Figura N.
 - Monte el nuevo resorte de retorno **22** y la arandela **21** en el riel del resorte **19**. Mientras comprime el resorte con la arandela cerca del extremo opuesto del riel, gire sobre el nuevo tope del resorte hasta que pase la ranura para el sujetador del riel del resorte.
 - Monte el nuevo sujetador del riel de resorte firmemente y coloque el tope contra el sujetador.
 - Repita los pasos 3–6 para reemplazar el segundo resorte.
- NOTA:** Revise el retorno de la cuchilla del controlador deslizando la cuchilla del controlador arriba del riel del resorte y soltándola. Debe regresar debido a la fuerza de los resortes.

- Deslice el sistema de retorno **17** de nuevo dentro de la unidad. Apriete los dos tornillos **16** en cada lado de la unidad. Verifique la instalación correcta conectando una batería y empujando y luego liberando la punta de la unidad contra un banco o una superficie dura. Esto iniciará el giro del motor.
- NOTA:** Cuando la cuchilla del controlador y el volante de inercia están alineados correctamente, escuchará que el motor desacelera por inercia desde la velocidad completa. Si la cuchilla del controlador y el volante de inercia no están alineados correctamente, es posible que

el motor no arranque o que se desacelere mucho más rápido de lo normal junto con un fuerte ruido de roce de la unidad. Si esto sucede, retire la batería, luego retire y vuelva a asentar el sistema de retorno.

- Una vez que el sistema de retorno esté asentado correctamente, abra bolsa incluida de Loctite**** y aplique una pequeña cantidad sobre la rosca de los dos tornillos **16** y vuelva a instalar los dos tornillos con la llave hexagonal y apriete firmemente.



ADVERTENCIA: Siempre pruebe la unidad disparando clavos cortos en madera suave, para asegurar que la herramienta funcione adecuadamente. Si la herramienta no funciona adecuadamente, póngase en contacto con un centro de servicio autorizado de inmediato.



ADVERTENCIA: EL CONTENIDO DE LA BOLSA DE LOCTITE® PUEDE IRRITAR LOS OJOS, LA PIEL, Y EL SISTEMA RESPIRATORIO. USE EL CONTENIDO COMPLETO AL ABRIRLA. No respire los vapores. No deje que entre a los ojos, o sobre la piel o la ropa. Sólo use en un área ventilada adecuadamente. Mantenga lejos del alcance de los niños.

TRATAMIENTO DE PRIMEROS AUXILIOS: Contiene dimetilacrilato de poliglicol, oleato de poliglicol, glicol de propileno, dióxido de titanio, e hidropéroxido de cumeno. Si se ingiere, llame a un Centro de Control de Envenenamiento o a un médico de inmediato. No induzca el vómito. Si se inhaló, mueva a la persona al aire fresco. Si cae en los ojos, enjuague con agua durante 15 minutos. Obtenga atención médica. Si cae en la piel, enjuague bien con agua. Si cae sobre la ropa, retire la ropa.

***Loctite® es una marca comercial registrada de Henkel Corp.

Reemplazo de cuchilla de controlador (Fig. Q)

Para cambiar cuchilla de controlador rota o desgastada

- Consulte **Juego de reemplazo de resorte de retorno** Pasos 1–4 para retirar el sistema de retorno de la unidad y retirar los resortes.
- Observe la orientación de la cuchilla del controlador **23**. Deslice la cuchilla del controlador fuera de los rieles **19**.
- En la misma orientación que la cuchilla de controlador anterior, deslice la nueva cuchilla de controlador sobre los rieles.
- Consulte **Juego de reemplazo de resorte de retorno** Pasos 5–9 para completar el servicio.

Limpieza



ADVERTENCIA: Sople la suciedad y el polvo de todos los conductos de ventilación con aire seco, al menos una vez por semana. Para reducir el riesgo de lesiones, utilice siempre protección para los ojos aprobada ANSI Z87.1 al realizar esta tarea.

⚠️ ADVERTENCIA: Nunca utilice solventes ni otros químicos abrasivos para limpiar las piezas no metálicas de la herramienta. Estos productos químicos pueden debilitar los materiales plásticos utilizados en estas piezas. Utilice un paño humedecido sólo con agua y jabón neutro. Nunca permita que penetre líquido dentro de la herramienta ni sumerja ninguna de las piezas en un líquido.

Accesorios

⚠️ ADVERTENCIA: Debido a que no se han probado con este producto otros accesorios que no sean los que ofrece CRAFTSMAN, el uso de dichos accesorios con esta herramienta podría ser peligroso. Para reducir el riesgo de lesiones, con este producto deben usarse sólo los accesorios recomendados por CRAFTSMAN.

Los accesorios que se recomiendan para utilizar con la herramienta están disponibles a un costo adicional en su distribuidor local o en un centro de mantenimiento autorizado. Si necesita ayuda para localizar algún accesorio, póngase en contacto con CRAFTSMAN, llame al **1-888-331-4569**.

VersaTrack™ (Fig. R)

⚠️ ADVERTENCIA: Para reducir el riesgo de lesiones personales, apague la unidad y retire el paquete de batería antes de realizar cualquier ajuste o retirar/instalar conexiones o accesorios. Una activación de arranque accidental puede causar lesiones.

⚠️ ADVERTENCIA: Para reducir el riesgo de lesiones personales graves, no use un gancho para colgar VersaTrack™ o Trackwall de VersaTrack™ dañados. Un gancho para colgar VersaTrack™ o Trackwall de VersaTrack™ dañados no soportarán el peso de la herramienta.

⚠️ ADVERTENCIA: Para reducir el riesgo de lesiones personales serias, asegúrese que el tornillo que sujeta el accesorio esté apretado firmemente.

⚠️ ADVERTENCIA: Para reducir el riesgo de lesiones personales graves, NO suspenda la herramienta por encima ni cuelgue objetos del gancho. SÓLO suspenda la herramienta en el Trackwall de VersaTrack™ con el gancho para colgar VersaTrack™.

⚠️ ADVERTENCIA: Asegúrese que el peso de la herramienta no exceda el peso máximo nominal de 9 kg (20 lbs) para el gancho VersaTrack™ seleccionado.

⚠️ ADVERTENCIA: Cuando cuelgue objetos en la pared VersaTrack™, espacie adecuadamente las herramientas para no exceder 35 kg (75 lbs) por pie lineal.

IMPORTANTE: Cuando conecte el gancho para colgar VersaTrack™, sólo use el tornillo incluido. Asegúrese de apretar bien el tornillo. Los accesorios VersaTrack™ montan herramientas compatibles con seguridad al sistema Trackwall de VersaTrack™.

1. Apague la herramienta, retire los accesorios y retire el paquete de batería.

⚠️ ATENCIÓN: Cualquier producto con dientes de corte expuestos debe tenerlos cubiertos de forma segura si va a estar en el Trackwall de VersaTrack™.

2. Conecte el gancho de colgar **24** a la herramienta.
 - a. Coloque el gancho de colgar VersaTrack™ en la ubicación de montaje en la base de la herramienta como se muestra.
 - b. Use un destornillador para asegurar el gancho de colgar con el tornillo provisto. No use ningún otro tornillo **25** para esto.

NOTA: Los accesorios VersaTrack™ para uso con su herramienta están disponibles por un costo adicional a partir de su distribuidor local o centro de servicio autorizado. Si necesita ayuda para encontrar cualquier accesorio, comuníquese con CRAFTSMAN, llame al **1-888-331-4569**.

Reparaciones

El Cargador y las unidades de batería no pueden ser reparados. El cargador y la unidad de batería no contienen piezas reparables.

⚠️ ADVERTENCIA: Para asegurar la SEGURIDAD y la CONFIABILIDAD del producto, las reparaciones, el mantenimiento y los ajustes (inclusive la inspección y el cambio de las escobillas, cuando proceda) deben ser realizados en un centro de mantenimiento en la fábrica CRAFTSMAN u en un centro de mantenimiento autorizado CRAFTSMAN. Utilice siempre piezas de repuesto idénticas.

Para reparación y servicio de sus herramientas eléctricas, favor de dirigirse al Centro de Servicio más cercano

CULIACAN, SIN

Bldv. Emiliano Zapata 5400-1 Poniente Col. (667) 717 89 99
San Rafael

GUADALAJARA, JAL

Av. La Paz #1779 - Col. Americana Sector (33) 3825 6978
Juárez

MEXICO, D.F.

Eje Central Lázaro Cárdenas No. 18 - Local (55) 5588 9377
D, Col. Obrera

MERIDA, YUC

Calle 63 #459-A - Col. Centro (999) 928 5038

MONTERREY, N.L.

Av. Francisco I. Madero 831 Poniente - Col. (818) 375 23 13
Centro

PUEBLA, PUE

17 Norte #205 - Col. Centro (222) 246 3714

QUERETARO, QRO

Av. San Roque 274 - Col. San Gregorio (442) 2 17 63 14

SAN LUIS POTOSI, SLP

Av. Universidad 1525 - Col. San Luis (444) 814 2383

TORREON, COAH

Bldv. Independencia, 96 Pte. - Col. Centro (871) 716 5265

VERACRUZ, VER

Prolongación Díaz Mirón #4280 - Col. Remes (229) 921 7016

VILLAHERMOSA, TAB

Constitución 516-A - Col. Centro (993) 312 5111

PARA OTRAS LOCALIDADES:

Si se encuentra en México, por favor llame al (55) 5326 7100

Si se encuentra en U.S., por favor llame al 1-888-331-4569

Póliza de Garantía

IDENTIFICACIÓN DEL PRODUCTO:

Sello o firma del Distribuidor.

Nombre del producto: _____

Mod./Cat.: _____

Marca: _____

Núm. de serie: _____

(Datos para ser llenados por el distribuidor)

Fecha de compra y/o entrega del producto:

Nombre y domicilio del distribuidor donde se adquirió el producto:

Este producto está garantizado por un año a partir de la fecha de entrega, contra cualquier defecto en su funcionamiento, así como en materiales y mano de obra empleados para su fabricación. Nuestra garantía incluye la reparación o reposición del producto y/o componentes sin cargo alguno para el cliente, incluyendo mano de obra, así como los gastos de transportación razonablemente erogados derivados del cumplimiento de este certificado.

Para hacer efectiva esta garantía deberá presentar su herramienta y esta póliza sellada por el establecimiento comercial donde se adquirió el producto, de no contar con ésta, bastará la factura de compra.

Excepciones

Esta garantía no será válida en los siguientes casos:

- Cuando el producto se hubiese utilizado en condiciones distintas a las normales;
- Cuando el producto no hubiese sido operado de acuerdo con el instructivo de uso que se acompaña;
- Cuando el producto hubiese sido alterado o reparado por personas distintas a las enlistadas al final de este certificado.

Anexo encontrará una relación de sucursales de servicio de fábrica, centros de servicio autorizados y franquiciados en la República Mexicana, donde podrá hacer efectiva su garantía y adquirir partes, refacciones y accesorios originales.

Solamente para propósito de México:

Importado por: Craftsman. Tool Co. S.A. de C.V.
Avenida Antonio Dovalí Jaime, # 70 Torre B Piso 9
Colonia La Fe, Santa Fé

Código Postal : 01210 Delegación Alvaro Obregón
México D.F.

Tel. (52) 555-326-7100 R.F.C.: BDE810626-1W7

Registro en Línea

Gracias por su compra. Registre su producto ahora para:

- **SERVICIO EN GARANTÍA:** Si completa esta tarjeta, podrá obtener un servicio en garantía más eficiente, en caso de que exista un problema con su producto.
- **CONFIRMACIÓN DE PROPIEDAD:** En caso de una pérdida que cubra el seguro, como un incendio, una inundación o un robo, el registro de propiedad servirá como comprobante de compra.
- **PARA SU SEGURIDAD:** Si registra el producto, podremos comunicarnos con usted en el caso improbable que se deba enviar una notificación de seguridad conforme a la Federal Consumer Safety Act (Ley Federal de Seguridad de Productos para el Consumidor).
- Registro en línea en www.craftsman.com/registration.

Garantía Limitada por Tres Años

CRAFTSMAN reparará o reemplazará, sin cargo, cualquier defecto debido a materiales o mano de obra defectuosos por tres años desde la fecha de compra (dos años para las baterías). Esta garantía no cubre falla de partes debido al desgaste normal o abuso de la herramienta. Para detalles adicionales de la cobertura de la garantía e información de reparación de garantía, visite www.craftsman.com o llame al **1-888-331-4569**. Esta garantía no se aplica a accesorios o daño causado cuando otros hayan realizado o intentado reparaciones. ESTA GARANTÍA LIMITADA SE OTORGA EN LUGAR DE TODAS LAS DEMÁS, INCLUIDA LA GARANTÍA IMPLÍCITA DE COMERCIABILIDAD E IDONEIDAD PARA UN PROPÓSITO EN PARTICULAR, Y EXCLUYE TODOS LOS DAÑOS INCIDENTALES O EN CONSECUENCIA. Algunos estados no permiten limitaciones sobre la duración de una garantía implícita o la exclusión o limitación de daños incidentales o en consecuencia, por lo que estas limitaciones pueden no aplicarse en su caso. Esta garantía le da derechos legales específicos y puede tener otros derechos que varían en ciertos estados o provincias.

2 AÑOS DE SERVICIO GRATUITO PARA UNIDADES DE ALIMENTACIÓN CRAFTSMAN

CMCB201, CMCB2011

3 AÑOS DE SERVICIO GRATUITO PARA UNIDADES DE ALIMENTACIÓN CRAFTSMAN

CMCB202, CMCB204

NOTA: La garantía del producto quedará nula si la unidad de batería ha sido alterada de cualquier manera. CRAFTSMAN no es responsable de ninguna lesión causada por alteraciones y podría iniciar un procedimiento judicial por fraude de garantía hasta el máximo grado permisible por la ley.

GARANTÍA DE REEMBOLSO DE SU DINERO POR 90 DÍAS

Si no está completamente satisfecho con el desempeño de su máquina herramienta o clavadora CRAFTSMAN, cualquiera sea el motivo, podrá devolverlo hasta 90 días de la fecha de compra con su recibo y obtener el reembolso completo de su dinero – sin necesidad de responder a ninguna pregunta.

AMÉRICA LATINA: Esta garantía no se aplica a los productos que se venden en América Latina. Para los productos que se venden en América Latina, debe consultar la información de la garantía específica del país que viene en el empaque, llamar a la compañía local o visitar el sitio Web a fin de obtener esa información.

REEMPLAZO GRATUITO DE LAS ETIQUETAS DE

ADVERTENCIAS: Si sus etiquetas de advertencia se vuelven ilegibles o faltan, llame al **1-888-331-4569** para que se le reemplacen gratuitamente.



AVISO: NUNCA rocíe o de ninguna manera aplique lubricantes o solventes de limpieza dentro de la herramienta. Esto puede afectar seriamente la vida y desempeño de la herramienta.

ESPECIFICACIONES DE LA HERRAMIENTA

Modo de disparo	Secuencial
Voltaje	20
Altura	346 mm (13,5")
Ancho	104 mm (4")
Longitud	349 mm (13,75")
Peso	3,63 kg (8.0 lbs.)
Ángulo del depósito	33°
Capacidad de carga	Hasta 55 clavos

ESPECIFICACIÓN DE LOS CLAVOS

	Cabeza cortada o Compensación de cabeza completa
Longitudes de los clavos	50 mm–90 mm (2"– 3–1/2")
Dímetros de la espiga	2,8 mm–3,3 mm (0,113"–0,131")
Ángulos de las varillas de los clavos	30°– 34°
Tipos de espiga	Lisa y de anillo

GUÍA DE SOLUCIÓN DE PROBLEMAS

MUCHOS PROBLEMAS COMUNES SE PUEDEN RESOLVER FÁCILMENTE UTILIZANDO LA TABLA A CONTINUACIÓN. PARA PROBLEMAS MÁS SERIOS O PERSISTENTES, COMUNÍQUESE CON UN CENTRO DE SERVICIO DE CRAFTSMAN O LLAME AL 1-(888)-331-4569.



ADVERTENCIA: Para reducir el riesgo de lesiones personales graves, SIEMPRE desconecte el paquete de baterías de la herramienta antes de todas las reparaciones.

SÍNTOMA	CAUSA	ARREGLO
El motor no opera con el disparo de contacto presionado	Bloqueo de gatillo en posición bloqueada.	Desbloquee el bloqueo del gatillo.
	Bloqueo de disparo en seco activado, bloqueando el disparo de contacto del recorrido completo.	Cargue más clavos en el cargador.
	La herramienta está ahogada, evitando que el motor gire.	Gire la palanca de liberación de ahogamiento en la herramienta y se liberará el mecanismo. Si la cuchilla del controlador no regresa, retire la batería y empuje manualmente la cuchilla del controlador hacia atrás en la posición de inicio.
	Disparo de contacto doblado.	Consulte a un centro de servicio autorizado.
	El motor deja de funcionar después de 5 segundos.	Operación normal; libere el disparo de contacto y vuelva a presionar.
	Las terminales están sucias o dañadas.	Consulte a un centro de servicio autorizado.
	Componentes electrónicos internos dañados.	Consulte a un centro de servicio autorizado.
La herramienta no se activa (el motor opera pero no dispara)	Gatillo dañado.	Consulte a un centro de servicio autorizado.
	Bloqueo de disparo en seco activado, bloqueando el disparo de contacto del recorrido completo.	Cargue clavos en el cargador.
	Carga baja de batería o batería dañada.	Revise el nivel de carga si el paquete muestra estado de carga. Cargue o reemplace el paquete de batería si es necesario.
	El clavo/cuchilla de inserción atascada no regresó a la posición inicial.	Retire la batería, retire el clavo atascado, suelte la palanca de liberación del ciclo, (empuje la cuchilla del controlador hacia arriba manualmente si es necesario) y reinserte el paquete de batería.
	Resortes de retorno dañados o desgastados.	Reemplace los resortes. Consulte Juego de reemplazo de resorte de retorno o visite un centro de servicio autorizado.
	Perfil dañado o desgastado.	Reemplace el perfil. Consulte Reemplazo del perfil o visite el centro de servicio autorizado.
	Mecanismo interno atascado.	Consulte a un centro de servicio autorizado.
El motor arranca pero genera mucho ruido	Componentes electrónicos internos dañados.	Consulte a un centro de servicio autorizado.
	El clavo atascado y la cuchilla del controlador están atascados en posición hacia abajo.	Use la palanca de liberación, retire los clavos atascados y regrese la cuchilla del controlador manualmente si es necesario.
	Resortes de retorno dañados o desgastados.	Reemplace los resortes. Consulte Juego de reemplazo de resorte de retorno o visite un centro de servicio autorizado.
La cuchilla de impulso continúa atorándose en posición descendente	Perfil dañado o desgastado.	Reemplace el perfil. Consulte Reemplazo del perfil o visite el centro de servicio autorizado.
	El clavo atascado y la cuchilla del controlador están atascados en posición hacia abajo.	Use la palanca de liberación, retire cualquier clavo atascado y regrese la cuchilla del controlador manualmente si es necesario.
	Resortes de retorno dañados o desgastados.	Reemplace los resortes. Consulte Juego de reemplazo de resorte de retorno o visite un centro de servicio autorizado.
	Perfil dañado o desgastado.	Reemplace el perfil. Consulte Reemplazo del perfil o visite el centro de servicio autorizado.
El motor no opera con el disparo de contacto presionado	Escombros en pieza de punta.	Limpie el área de la punta y preste atención a las pequeñas piezas de clavos rotos atascadas en el carril.

SÍNTOMA	CAUSA	ARREGLO	
La herramienta funciona, pero no introduce completamente los sujetadores	Ajuste de profundidad establecido demasiado superficial.	Gire el ajuste de profundidad a un ajuste más profundo.	
	Herramienta no aplicada firmemente a la pieza de trabajo.	Aplique fuerza adecuada a la herramienta para asegurarla firmemente a la pieza de trabajo Consulte el manual de instrucciones.	
	Material y longitud de sujetador.	Si la unidad continúa atascándose (forzando la necesidad de girar la palanca de liberación de ahogamiento) elija el material y la longitud de sujetador apropiados que no sean demasiado rígidos para la aplicación.	
	Perfil dañado o desgastado.	Reemplace el perfil. Consulte Reemplazo del perfil o visite el centro de servicio autorizado.	
	Mecanismo de activación dañado.	Consulte a un centro de servicio autorizado.	
	La herramienta funciona, pero no se introduce el sujetador	No hay clavos en el cargador.	Cargue clavos en el cargador.
Clavos de tamaño o ángulo incorrecto.		Use sólo los clavos recomendados Consulte Especificaciones de clavo .	
Escombros en pieza de punta.		Limpie el área de la punta y preste atención a las pequeñas piezas de clavos rotos atascadas en el carril.	
Escombros en el cargador.		Limpie el cargador.	
Cargador desgastado.		Reemplace el cargador. Consulte a un centro de servicio autorizado.	
Resortes de retorno dañados o desgastados.		Reemplace los resortes. Consulte Juego de reemplazo de resorte de retorno o visite un centro de servicio autorizado.	
Perfil dañado o desgastado.		Reemplace el perfil. Consulte Reemplazo del perfil o visite el centro de servicio autorizado.	
Clavo atascado		Clavos de tamaño o ángulo incorrecto.	Use sólo los clavos recomendados. Consulte Especificaciones de clavo .
		Tornillos de cargador no asegurados después de la eliminación/inspección previa.	Asegúrese de apretar los pernos hexagonales del cargador con la llave hexagonal incluida.
		Material y longitud de sujetador.	Si la unidad continúa atascándose (forzando la necesidad de girar la palanca de liberación de ahogamiento) elija el material y la longitud de sujetador apropiados que no sean demasiado rígidos para la aplicación.
	Escombros en pieza de punta.	Limpie el área de la punta y preste atención a las pequeñas piezas de clavos rotos atascadas en el carril.	
	Cargador desgastado.	Reemplace el cargador. Consulte a un centro de servicio autorizado.	
	Resortes de retorno dañados o desgastados.	Reemplace los resortes. Consulte Juego de reemplazo de resorte de retorno o visite un centro de servicio autorizado.	
	Perfil dañado o desgastado.	Reemplace el perfil. Consulte Reemplazo del perfil o visite el centro de servicio autorizado.	



**Compatible battery packs and chargers / Blocs-piles et chargeurs compatibles /
Baterías y cargadores compatibles**

20V Max* Li-Ion	Battery Packs Blocs-piles Baterías	CMCB201, CMCB2011, CMCB202, CMCB204
	Chargers Chargeurs Cargadores	CMCB100, CMCB102, CMCB104
60V Max* Li-Ion	Battery Packs Blocs-piles Baterías	CMCB6025, CMCB6050, CMCB6075
	Chargers Chargeurs Cargadores	CMCB602

* Maximum initial battery voltage (measured without a workload) is 20, 60 or 120 volts. Nominal voltage is 18, 54 or 108. (120V Max* is based on using two 60V Max* lithium-ion batteries combined.)

* La tension initiale maximum du bloc-piles (mesurée à vide) est de 20, 60 ou 120 volts. La tension nominale est de 18, 54 ou 108. (120 V max* se base sur l'utilisation combinée de 2 blocs-piles au lithium ion de 60 V max*).

* El máximo voltaje inicial de la batería (medido sin carga de trabajo) es 20, 60 o 120 voltios. El voltaje nominal es de 18, 54 o 108 V. (120 V Máx* se basan en el uso de 2 baterías de iones de litio de 60 V Máx* combinadas.)



WARNING: Use of any other battery packs may create a risk of injury and fire.



AVERTISSEMENT : utiliser d'autres blocs-piles peut créer un risque de blessure ou d'incendie.



ADVERTENCIA: El uso de cualquier otro paquete de batería puede crear un riesgo de lesiones e incendio.