

CRAFTSMAN®

Instruction Manual
Guide D'utilisation
Manual de instrucciones

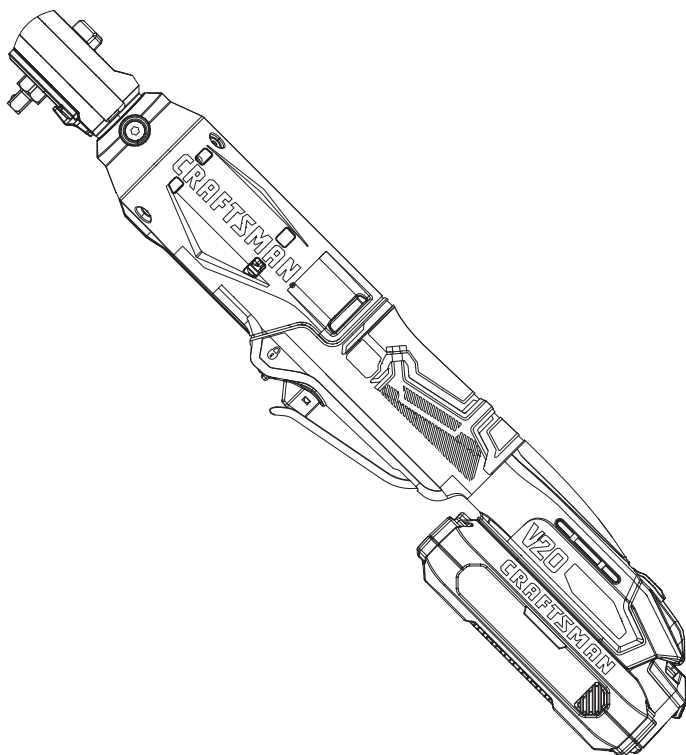
CMCF935

CMCF936

20V Max* Multi Size Ratchet

Clé à cliquet multitailles 20 V max*

Matraca de tamaño múltiple 20V Max*



If you have questions or comments, contact us.
Pour toute question ou tout commentaire, nous contacter.
Si tiene dudas o comentarios, contáctenos.

www.CRAFTSMAN.com
1-888-331-4569



WARNING: Read all safety warnings, instructions, illustrations, and specifications in this manual, including the battery and



charger sections provided in an original tool manual or the separate Batteries and Chargers manual.

Manuals can be obtained by contacting Customer Service. Failure to follow the warnings and instructions may result in electric shock, fire and/or serious injury.

Definitions: Safety Alert Symbols and Words

This instruction manual uses the following safety alert symbols and words to alert you to hazardous situations and your risk of personal injury or property damage.

▲ DANGER: Indicates an imminently hazardous situation which, if not avoided, **will** result in **death or serious injury**.

▲ WARNING: Indicates a potentially hazardous situation which, if not avoided, could result in death or serious injury.

▲ CAUTION: Indicates a potentially hazardous situation which, if not avoided, may result in minor or moderate injury.

▲ (Used without word) Indicates a safety related message.

NOTICE: Indicates a practice **not related to personal injury** which, if not avoided, **may** result in **property damage**.



AVERTISSEMENT : lire tous les avertissements de sécurité, les instructions, les illustrations et les caractéristiques de ce



manuel, y compris les sections sur les piles et les chargeurs fournies dans un manuel d'origine de l'outil ou dans le manuel séparé sur les piles et les chargeurs. Les manuels peuvent être obtenus en contactant le service à la clientèle. Le fait de ne pas suivre les avertissements et les instructions peut entraîner un choc électrique, un incendie et/ou des blessures graves.

Définitions: symboles et mentions d'alerte de sécurité

Cette notice d'utilisation utilise les symboles et les mentions d'alerte de sécurité suivants afin de vous alerter sur les situations dangereuses et les risques de blessures ou de dégâts matériels.

▲ DANGER: indique une situation de risque imminent qui engendre, si elle n'est pas évitée, la mort ou de graves blessures.

▲ AVERTISSEMENT : indique une situation de risque potentiel qui pourrait engendrer, si elle n'est pas évitée, la mort ou de graves blessures.

▲ ATTENTION: indique une situation de risque potentiel qui peut engendrer, si elle n'est pas évitée, des blessures bénignes ou modérées.

▲ (Utilisé sans mention) Indique un message lié à la sécurité.

REMARQUE: indique une pratique **n'entraînant aucun risque de blessures** mais qui, si elle n'est pas évitée, **peut** entraîner des **dommages matériels**.



ADVERTENCIA: Lea todas las advertencias de seguridad, instrucciones, ilustraciones y especificaciones de este



manual, incluyendo las secciones sobre la batería y el cargador proporcionadas en un manual original de la herramienta o en el manual de Baterías y Cargadores por separado. Los manuales se pueden obtener poniéndose en contacto con el Servicio de atención al cliente. La falla en seguir las advertencias e instrucciones puede resultar en descarga eléctrica, incendio y/o lesiones serias.

Definiciones: Símbolos y Palabras de Alerta de Seguridad

Las siguientes definiciones describen el nivel de gravedad de cada palabra de advertencia. Lea el manual de la herramienta eléctrica y preste atención a estos símbolos.

▲ PELIGRO: Indica una situación de peligro inminente que, si no se evita, provocará la muerte o lesiones graves.

▲ ADVERTENCIA: Indica una situación de peligro potencial que, si no se evita, podría provocar la muerte o lesiones graves.

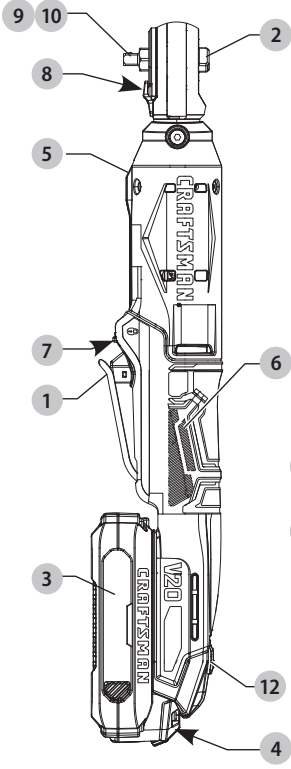
▲ ATENCIÓN: Indica una situación de peligro potencial que, si no se evita, posiblemente provocaría lesiones leves o moderadas.

▲ (Utilizado sin palabras) Indica un mensaje de seguridad relacionado.

AVISO: Se refiere a una práctica **no relacionada a lesiones corporales** que de no evitarse **puede** resultar en **daños a la propiedad**.

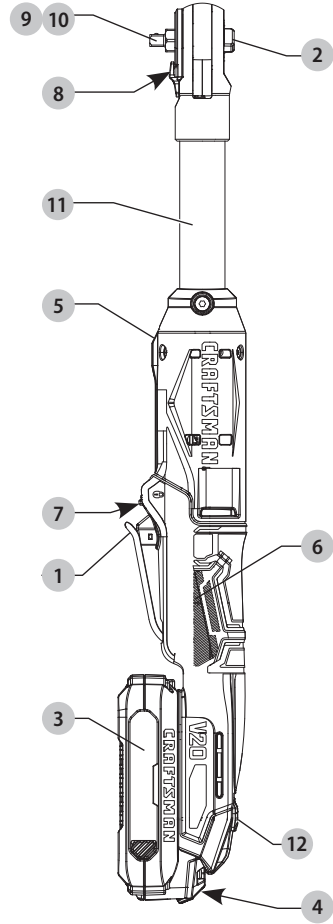
Fig. A

CMCF935



- 1 Trigger switch
- 2 Forward/reverse dial
- 3 Battery pack
- 4 Battery release button
- 5 Worklight
- 6 Main handle
- 7 Lock-off button
- 8 Anvil lock/release button
- 9 3/8" and 1/4" double-ended anvil
- 10 1/2" anvil with 1/4" hex
- 11 Extended neck
- 12 CRAFTSMAN accessory attachment location

CMCF936



- 1 Interrupteur à gâchette
- 2 Cadran Avancer/Reculer
- 3 Bloc-piles
- 4 Bouton de libération de la pile
- 5 Lampe de travail
- 6 Poignée principale
- 7 Bouton de déverrouillage
- 8 Bouton de verrouillage/déverrouillage de l'enclume
- 9 Enclume à double extrémité de 3/8 po et 1/4 po
- 10 Enclume de 1/2 po avec hexagone de 1/4 po
- 11 Collet allongé
- 12 Emplacement de l'attache d'accessoire CRAFTSMAN

- 1 Interruptor de gatillo
- 2 Carátula de avance/reversa
- 3 Paquete de batería
- 4 Botón de liberación de batería
- 5 Luz de trabajo
- 6 Manija principal
- 7 Botón de bloqueo de apagado
- 8 Botón de bloqueo/liberación de yunque
- 9 Yunque de extremo doble de 3/8" y 1/4"
- 10 Yunque de 1/2" con hexagonal de 1/4"
- 11 Cuello extendido
- 12 Ubicación de conexión de accesorio CRAFTSMAN

Fig. B

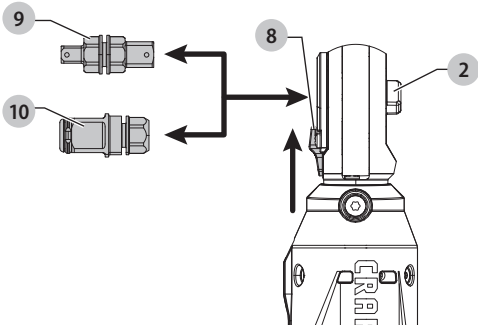


Fig. C

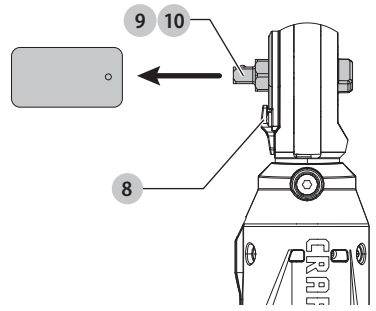


Fig. D

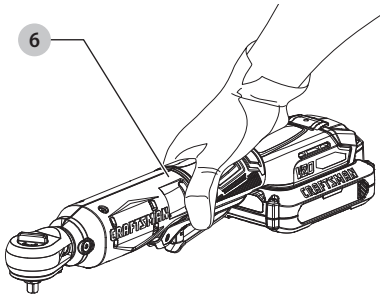


Fig. E

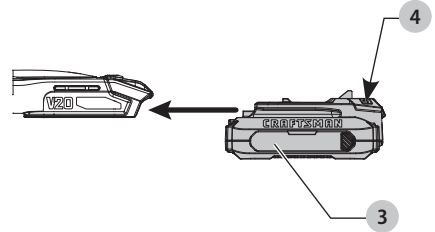


Fig. F

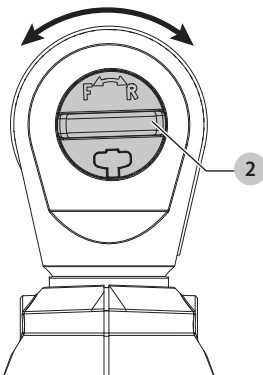


Fig. G

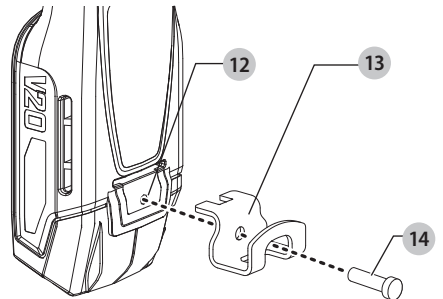
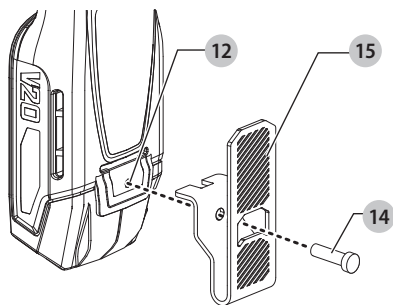


Fig. H



Intended Use

This powered ratchet is designed for light duty fastening applications. This powered ratchet is not a torque wrench.

DO NOT use this tool for tightening fasteners to specified torques. An independent calibrated torque measurement device such as a torque wrench should be used when torques are specified.

DO NOT use manually for high torque applications, such as vehicle lug nuts or bolts. Excessive manually applied torque may damage the tool housing, mechanism or anvils.

DO NOT use under wet conditions or in presence of flammable liquids or gases.

DO NOT let children come into contact with the tool. Supervision is required when inexperienced operators use this tool.

GENERAL POWER TOOL SAFETY WARNINGS

▲ WARNING: Read all safety warnings, instructions, illustrations and specifications provided with this power tool. Failure to follow all instructions listed below may result in electric shock, fire and/or serious injury.

SAVE ALL WARNINGS AND INSTRUCTIONS FOR FUTURE REFERENCE.

The term "power tool" in the warnings refers to your mains-operated (corded) power tool or battery-operated (cordless) power tool.

1) Work Area Safety

- a) **Keep work area clean and well lit.** Cluttered or dark areas invite accidents.
- b) **Do not operate power tools in explosive atmospheres, such as in the presence of flammable liquids, gases or dust.** Power tools create sparks which may ignite the dust or fumes.
- c) **Keep children and bystanders away while operating a power tool.** Distractions can cause you to lose control.

2) Electrical Safety

- a) **Power tool plugs must match the outlet. Never modify the plug in any way. Do not use any adapter plugs with earthed (grounded) power tools.** Unmodified plugs and matching outlets will reduce risk of electric shock.
- b) **Avoid body contact with earthed or grounded surfaces, such as pipes, radiators, ranges and refrigerators.** There is an increased risk of electric shock if your body is earthed or grounded.
- c) **Do not expose power tools to rain or wet conditions.** Water entering a power tool will increase the risk of electric shock.
- d) **Do not abuse the cord. Never use the cord for carrying, pulling or unplugging the power tool. Keep cord away from heat, oil, sharp edges or moving parts.** Damaged or entangled cords increase the risk of electric shock.
- e) **When operating a power tool outdoors, use an extension cord suitable for outdoor use.** Use of a cord suitable for outdoor use reduces the risk of electric shock.
- f) **If operating a power tool in a damp location is unavoidable, use a ground fault circuit interrupter (GFCI) protected supply.** Use of a GFCI reduces the risk of electric shock.

3) Personal Safety

- a) **Stay alert, watch what you are doing and use common sense when operating a power tool. Do not**

use a power tool while you are tired or under the influence of drugs, alcohol or medication. A moment of inattention while operating power tools may result in serious personal injury.

- b) **Use personal protective equipment. Always wear eye protection.** Protective equipment such as a dust mask, non-skid safety shoes, hard hat, or hearing protection used for appropriate conditions will reduce personal injuries.
 - c) **Prevent unintentional starting. Ensure the switch is in the off-position before connecting to power source and/or battery pack, picking up or carrying the tool.** Carrying power tools with your finger on the switch or energizing power tools that have the switch on invites accidents.
 - d) **Remove any adjusting key or wrench before turning the power tool on.** A wrench or a key left attached to a rotating part of the power tool may result in personal injury.
 - e) **Do not overreach. Keep proper footing and balance at all times.** This enables better control of the power tool in unexpected situations.
 - f) **Dress properly. Do not wear loose clothing or jewelry. Keep your hair and clothing away from moving parts.** Loose clothes, jewelry or long hair can be caught in moving parts.
 - g) **If devices are provided for the connection of dust extraction and collection facilities, ensure these are connected and properly used.** Use of dust collection can reduce dust-related hazards.
 - h) **Do not let familiarity gained from frequent use of tools allow you to become complacent and ignore tool safety principles.** A careless action can cause severe injury within a fraction of a second.
- #### 4) Power Tool Use and Care
- a) **Do not force the power tool. Use the correct power tool for your application.** The correct power tool will do the job better and safer at the rate for which it was designed.
 - b) **Do not use the power tool if the switch does not turn it on and off.** Any power tool that cannot be controlled with the switch is dangerous and must be repaired.
 - c) **Disconnect the plug from the power source and/or remove the battery pack, if detachable, from the power tool before making any adjustments, changing accessories, or storing power tools.** Such preventive safety measures reduce the risk of starting the power tool accidentally.
 - d) **Store idle power tools out of the reach of children and do not allow persons unfamiliar with the power tool or these instructions to operate the power tool.** Power tools are dangerous in the hands of untrained users.
 - e) **Maintain power tools and accessories. Check for misalignment or binding of moving parts, breakage of parts and any other condition that may affect the power tool's operation. If damaged, have the power tool repaired before use.** Many accidents are caused by poorly maintained power tools.
 - f) **Keep cutting tools sharp and clean.** Properly maintained cutting tools with sharp cutting edges are less likely to bind and are easier to control.
 - g) **Use the power tool, accessories and tool bits, etc. in accordance with these instructions, taking into account the working conditions and the work to be performed.**

Use of the power tool for operations different from those intended could result in a hazardous situation.

h) **Keep handles and grasping surfaces dry, clean and free from oil and grease.** Slippery handles and grasping surfaces do not allow for safe handling and control of the tool in unexpected situations.

5) Battery Tool Use and Care

a) **Recharge only with the charger specified by the manufacturer.** A charger that is suitable for one type of battery pack may create a risk of fire when used with another battery pack.

b) **Use power tools only with specifically designated battery packs.** Use of any other battery packs may create a risk of injury and fire.

c) **When battery pack is not in use, keep it away from other metal objects, like paper clips, coins, keys, nails, screws or other small metal objects, that can make a connection from one terminal to another.** Shorting the battery terminals together may cause burns or a fire.

d) **Under abusive conditions, liquid may be ejected from the battery; avoid contact. If contact accidentally occurs, flush with water. If liquid contacts eyes, additionally seek medical help.** Liquid ejected from the battery may cause irritation or burns.

e) **Do not use a battery pack or tool that is damaged or modified.** Damaged or modified batteries may exhibit unpredictable behavior resulting in fire, explosion or risk of injury.

f) **Do not expose a battery pack or tool to fire or excessive temperature.** Exposure to fire or temperature above 265 °F (130 °C) may cause explosion.

g) **Follow all charging instructions and do not charge the battery pack or tool outside the temperature range specified in the instructions.** Charging improperly or at temperatures outside the specified range may damage the battery and increase the risk of fire.

6) Service

a) **Have your power tool serviced by a qualified repair person using only identical replacement parts.** This will ensure that the safety of the power tool is maintained.

b) **Never service damaged battery packs.** Service of battery packs should only be performed by the manufacturer or authorized service providers.

Ratchet Driver Safety Instructions

• **Hold power tool by insulated gripping surfaces, when performing an operation where the fastener may contact hidden wiring.** Fasteners contacting a "live" wire may make exposed metal parts of the tool "live" and could give the operator an electric shock.

• **Use clamps or another practical way to secure and support the workpiece to a stable platform.** Holding the work by hand or against your body leaves it unstable and may lead to loss of control.

• **Air vents often cover moving parts and should be avoided.** Loose clothing, jewelry or long hair can be caught in moving parts.

• **Do not operate this tool for long periods of time. Vibration caused by tool action may be harmful to your hands and arms.** Use gloves to provide extra cushion and limit exposure by taking frequent rest periods.

• **Accessories and tools get hot during operation.** Wear gloves when touching them.

- **When the product is run for an extended period of time, metal parts of the ratchet head may become hot.** Use caution and avoid contact with the ratchet head while it is hot.
- **When the tool is not in use, make sure the lock-off button is in the locked position or remove the battery pack to prevent unintended start-up.**

Additional Safety Information

▲ WARNING: Never modify the power tool or any part of it. Damage or personal injury could result.

▲ WARNING: ALWAYS use safety glasses. Everyday eyeglasses are NOT safety glasses. Also use face or dust mask if cutting operation is dusty. ALWAYS WEAR CERTIFIED SAFETY EQUIPMENT:

- ANSI Z87.1 eye protection (CAN/CSA Z94.3),
- ANSI S12.6 (S3.19) hearing protection,
- NIOSH/OSHA/MSHA respiratory protection.

▲ WARNING: Some dust created by power sanding, sawing, grinding, drilling, and other construction activities contains chemicals known to the State of California to cause cancer, birth defects or other reproductive harm. Some examples of these chemicals are:

- lead from lead-based paints,
- crystalline silica from bricks and cement and other masonry products, and
- arsenic and chromium from chemically-treated lumber.

Your risk from these exposures varies, depending on how often you do this type of work. To reduce your exposure to these chemicals: work in a well ventilated area, and work with approved safety equipment, such as those dust masks that are specially designed to filter out microscopic particles.

• **Wear protective clothing and wash exposed areas with soap and water.** Allowing dust to get into your mouth, eyes, or lay on the skin may promote absorption of harmful chemicals. Direct particles away from face and body.

• **Use the appropriate dust extractor vacuum to remove the vast majority of static and airborne dust.** Failure to remove static and airborne dust could contaminate the working environment or pose an increased health risk to the operator and those in close proximity.











▲ CAUTION: When not in use, place tool on its side on a stable surface where it will not cause a tripping or falling hazard. Some tools with large battery packs will stand upright on the battery pack but may be easily knocked over.

▲ WARNING: Keep clear of magnet. Magnetic hazard can disturb pacemaker operation and result in serious injury or death.

The label on your tool may include the following symbols. The symbols and their definitions are as follows:

V	volts	sfpm	surface feet per minute
Hz	hertz	SPM	strokes per minute
min	minutes	A	amperes
— — — or DC	direct current	W	watts
Ⓢ	Class I Construction (grounded)	Wh	watt hours
... /min	per minute	Ah	amp hours
BPM	beats per minute	~ or AC	alternating current
IPM	impacts per minute	Ⓢ or AC/DC	alternating or direct current
OPM	oscillations per minute	Ⓢ	Class II Construction (double insulated)
RPM	revolutions per minute		

ENGLISH

n_0	no load speed		wear respiratory protection
n	rated speed		wear eye protection
PSI	pounds per square inch		wear hearing protection
	earthing terminal		read all documentation
	safety alert symbol		do not expose to rain
	visible radiation—do not stare into the light		do not use around pacemakers
	magnetic hazard			

ASSEMBLY AND ADJUSTMENTS

▲ WARNING: To reduce the risk of serious personal injury, turn unit off and remove the battery pack before making any adjustments or removing/installing attachments or accessories. An accidental start-up can cause injury.

Removing and Installing Anvil (Fig. B, C)

▲ WARNING: The interchangeable 1/2" anvil with 1/4" hex contains magnets and should not be used around pacemakers.

▲ CAUTION: Inspect anvil prior to use. Missing or damaged items should be replaced before use.

Choose the appropriate sized interchangeable anvil:

- 3/8" or 1/4" double-ended anvil **9**
- 1/2" anvil with 1/4" hex **10**

To Remove

1. With one hand push up the anvil lock/release button **8** and with the other hand pull out on the interchangeable anvil **9** or **10** to remove it from the tool.

To Install

1. With one hand push up the anvil lock/release button **8** and with the other hand insert the desired interchangeable anvil **9** or **10** fully into the tool. Release the button **8** and let it return to the locked position and tug on the interchangeable anvil **9** or **10** to ensure it is secured in place.

OPERATION

▲ WARNING: To reduce the risk of serious personal injury, turn unit off and remove the battery pack before making any adjustments or removing/installing attachments or accessories. An accidental start-up can cause injury.

Proper Hand Position (Fig. D)

▲ WARNING: To reduce the risk of serious personal injury, ALWAYS use proper hand position as shown.

▲ WARNING: To reduce the risk of serious personal injury, ALWAYS hold securely in anticipation of a sudden reaction.

▲ WARNING: Ratchet may stall (if overloaded or improperly used) causing a twist. Always expect the stall. Grip the ratchet firmly to control the twisting action and prevent loss of control which could cause personal injury.

Proper hand position requires one hand on the main handle **6** as shown to control the twisting action of the ratchet.

Installing and Removing the Battery Pack (Fig. E)

NOTE: For best results, make sure your battery pack is fully charged.

1. To install the battery pack **3** into the tool handle, align the battery pack with the rails inside the tool's handle and slide it into the handle until the battery pack is firmly seated in the tool and ensure that it does not disengage.

2. To remove the battery pack from the tool, press the release button **4** and firmly pull the battery pack out of the tool handle. Insert it into the charger.

Variable Speed Trigger (Fig. A)

The tool is turned on and off by pulling and releasing the variable speed trigger **1**. The farther the trigger is depressed, the faster the speed of the tool. The anvil will stop as soon as the trigger switch is fully released.

Forward/Reverse Dial (Fig. A, F)

A forward/reverse dial **2** determines the rotational direction of the tool.

- To select forward rotation (clockwise), release the trigger and rotate the forward/reverse dial **2** on the head of the tool in a counterclockwise direction.
- To select reverse rotation (counterclockwise), release the trigger and rotate the forward/reverse dial **2** on the head of the tool in a clockwise direction.

NOTE: The first time the tool is run after changing the direction of rotation, you may hear a click on start-up. This is normal and does not indicate a problem.

Worklight (Fig. A)

The worklight **5** is activated when the trigger switch **1** is depressed, and will automatically turn off 10 seconds after the trigger switch is released. If the trigger switch remains depressed, the worklight will remain on.

NOTE: The worklight is for lighting the immediate work surface and is not intended to be used as a flashlight.

Lock-off Button (Fig. A)

To lock the tool, slide the lock-off button **7** to the locked position. When the lock-off button is in the locked position, the tool is locked and the trigger switch **1** cannot be pulled.

Usage (Fig. A–E)

▲ WARNING: To reduce the risk of serious personal injury, turn unit off and remove the battery pack before making any adjustments or removing/installing attachments or accessories. An accidental start-up can cause injury.

▲ WARNING: The ratchet may stall if overloaded causing a sudden twist. Always expect the tool to twist. Grip the ratchet firmly to control the twisting action and avoid possible personal injury.

▲ CAUTION: Ensure fastener and/or system will withstand the level of torque generated by the tool. Excessive torque may cause breakage and possible personal injury.

Maximum Tool Applied Torque			
Cat #	RPM	Ft.-Lbs.	Nm
CMCF935	0–300	40	54.2
CMCF936	0–300	40	54.2

Maximum Manually Applied Torque			
Cat #	Drive Size	Ft.-Lbs.	Nm
CMCF935	1/4"	45	61.0
	3/8" & 1/2"	100	135.6
CMCF936	1/4"	45	61.0
	3/8" & 1/2"	100	135.6

1. Install appropriately sized anvil **9** or **10** onto the tool.

2. Install appropriate accessory onto the anvil.
3. Place the accessory on the fastener head. Keep the tool pointed straight at the fastener.
4. Consider the intended operation and select either forward or reverse rotation.
5. Press variable speed trigger switch **1** to start operation.
6. Release variable speed trigger switch **1** to stop operation.
7. If the ratchet stalls, the tool is overloaded or is being improperly used. Release the variable speed trigger switch **1** immediately. Do not press the variable speed trigger switch **1** on and off in an attempt to start a stalled ratchet. Doing so can damage the tool.
8. The ratchet can also be used manually for starting stubborn fasteners or snugging by releasing the trigger and applying the torque by hand.
9. Turn unit off and make sure the lock-off button **7** is in the locked location or remove the battery pack before manual use and applying the torque by hand.

NOTE: Excessive manually applied torque may damage the interchangeable anvils **9** or **10** if it exceeds the torque limit.

MAINTENANCE

▲ WARNING: To reduce the risk of serious personal injury, turn unit off and remove the battery pack before making any adjustments or removing/installing attachments or accessories. An accidental start-up can cause injury.

Your CRAFTSMAN power tool has been designed to operate over a long period of time with minimum maintenance. Continuous satisfactory operation depends upon proper tool care and regular cleaning.

Cleaning

▲ WARNING: Blow dirt and dust out of all air vents with clean, dry air at least once a week. To minimize the risk of eye injury, always wear ANSI Z87.1 approved eye protection when performing this procedure.

▲ WARNING: Never use solvents or other harsh chemicals for cleaning the non-metallic parts of the tool. These chemicals may weaken the plastic materials used in these parts. Use a cloth dampened only with water and mild soap. Never let any liquid get inside the tool; never immerse any part of the tool into a liquid.

Accessories

▲ WARNING: Since accessories, other than those offered by CRAFTSMAN, have not been tested with this product, use of such accessories with this product could be hazardous. To reduce the risk of injury, only CRAFTSMAN-recommended accessories should be used with this product. Recommended accessories for use with your product are available at extra cost from your local dealer or authorized service center. If you need assistance in locating any accessory, please contact CRAFTSMAN. Call 1-888-331-4569.

VersaTrack™ (Fig. A, G) (Sold Separately)

▲ WARNING: To reduce the risk of serious personal injury, turn unit off and remove the battery pack before making any adjustments or removing/installing attachments or accessories. An accidental start-up can cause injury.

▲ WARNING: To reduce the risk of serious personal injury, do not use a damaged VersaTrack™ hang hook or VersaTrack™

Trackwall. A damaged VersaTrack™ hang hook or VersaTrack™ Trackwall will not support the weight of the tool.

▲ WARNING: To reduce the risk of serious personal injury, ensure the screw holding the VersaTrack™ hang hook is securely tightened.

▲ WARNING: To reduce the risk of serious personal injury, DO NOT suspend tool overhead or suspend objects from the hang hook. ONLY suspend tool on the VersaTrack™ Trackwall using the hang hook.

▲ WARNING: The VersaTrack™ hang hook is not a belt hook.

▲ WARNING: Ensure that the tool weight does not exceed the maximum rated weight of 20 lb (9 kg) for the selected VersaTrack™ hook.

▲ WARNING: When hanging objects on a VersaTrack™ Trackwall rail, adequately space the tools in order to not exceed 75 lb (35 kg) per linear foot.

IMPORTANT: When attaching the VersaTrack™ hang hook, use only the screw that is provided. Be sure to securely tighten the screw. VersaTrack™ accessories mount compatible tools securely to the VersaTrack™ Trackwall system.

▲ CAUTION: Any product with exposed cutting teeth must have them covered securely if it is to be on the VersaTrack™ Trackwall.

1. Turn the tool off, remove the battery pack and accessories.
2. Attach the hang hook **13** on the tool.
 - a. Place the VersaTrack™ hang hook onto the mounting location **12** at the back of the tool.
 - b. Use a screwdriver to secure the hang hook with the provided screw **14**. Do not use any other screw for this.

NOTE: VersaTrack™ accessories for use with your tool are available at extra cost from your local dealer or authorized service center. If you need assistance in locating any accessory, please contact CRAFTSMAN. Call 1-888-331-4569.

Belt Hook (Fig. A, H) (Sold Separately)

▲ WARNING: To reduce the risk of serious personal injury, place the trigger lock-off button in the lock-off position or turn tool off and disconnect battery pack before making any adjustments or removing/installing attachments or accessories. An accidental start-up can cause injury.

▲ WARNING: To reduce the risk of serious personal injury, ONLY use the tool's belt hook to hang the tool from a work belt. DO NOT use the belt hook for tethering or securing the tool to a person or object during use. DO NOT suspend tool overhead or suspend objects from the belt hook.

▲ WARNING: To reduce the risk of serious personal injury, ensure the screw holding the belt hook is secure.

IMPORTANT: When attaching or replacing the belt hook, use only the screw that is provided. Be sure to securely tighten the screw.

1. Turn the tool off, remove the battery pack and accessories.
2. Attach the belt hook **15** on the tool.
 - a. Place the belt hook onto the mounting location **12** at the back of the tool.
 - b. Use a screwdriver to secure the belt hook with the provided screw **14**. Do not use any other screw for this. If the hook is not desired at all, it can be removed from the tool.

Repairs

The charger and batteries are not serviceable. There are no serviceable parts inside the charger or battery pack.

▲ WARNING: To assure product SAFETY and RELIABILITY, repairs, maintenance and adjustment (including brush inspection and replacement, when applicable) should be performed by a factory service center or an authorized service center. Always use identical replacement parts.

Quebec Disclosure

We do not guarantee the availability of replacement parts, repair services or information necessary to maintain or repair products subject to and under the meaning of the Quebec Consumer Protection Act, as amended by Bill 29.

Register Online

Thank you for your purchase. Register your product now for:

- **WARRANTY SERVICE:** Registering your product will help you obtain more efficient warranty service in case there is a problem with your product.
- **CONFIRMATION OF OWNERSHIP:** In case of an insurance loss, such as fire, flood or theft, your registration of ownership will serve as your proof of purchase.
- **FOR YOUR SAFETY:** Registering your product will allow us to contact you in the unlikely event a safety notification is required under the Federal Consumer Safety Act.

Register online at www.craftsman.com/account/login.

Three-Year Limited Warranty

For warranty terms, go to

www.craftsman.com/pages/warranty.

To request a written copy of the warranty terms, contact: Customer Service at CRAFTSMAN, 701 East Joppa Road, Towson, MD 21286 or call **1-888-331-4569**.

LATIN AMERICA: This warranty does not apply to products sold in Latin America. For products sold in Latin America, see country-specific warranty information contained in the packaging, call the local company, or see website for warranty information.

FREE WARNING LABEL REPLACEMENT: If your warning labels become illegible or are missing, call **1-888-331-4569** for a free replacement.

Utilisation prévue

Ce cliquet électrique a été conçu pour des applications de fixations légères. Ce cliquet électrique n'est pas une clé dynamométrique.

NE PAS utiliser cet outil pour serrer des fixations à des couples spécifiques. Un appareil de mesure de couples calibré indépendamment comme une clé dynamométrique doit être utilisé lorsque des couples sont indiqués.

NE PAS utiliser manuellement pour les applications à couple élevé, telles que les écrous de roue ou les boulons de véhicules. Un couple excessif appliqué manuellement peut endommager le boîtier, le mécanisme ou les enclumes de l'outil.

NE PAS utiliser par temps humide ou en présence de liquides ou de gaz inflammables.

NE PAS laisser les enfants toucher l'outil. Une supervision est requise lorsque des utilisateurs inexpérimentés utilisent cet outil.

AVERTISSEMENTS GÉNÉRAUX SUR LA SÉCURITÉ DES OUTILS

▲ AVERTISSEMENT : lisez tous les avertissements de sécurité, toutes les instructions, les illustrations et les caractéristiques fournis avec cet outil électrique. Ne pas suivre toutes les instructions comprises aux présentes peut conduire à un choc électrique, un incendie et/ou des blessures graves.

CONSERVER TOUS LES AVERTISSEMENTS ET TOUTES LES DIRECTIVES POUR UN USAGE ULTÉRIEUR.

Le terme « outil électrique » cité dans les avertissements se rapporte à votre outil électrique à alimentation sur secteur (avec fil) ou par piles (sans fil).

1) Sécurité du lieu de travail

a) **Tenir l'aire de travail propre et bien éclairée.** Les lieux encombrés ou sombres sont propices aux accidents.

b) **Ne pas faire fonctionner d'outils électriques dans un milieu déflagrant, tel qu'en présence de liquides, de gaz ou de poussières inflammables.** Les outils électriques produisent des étincelles qui pourraient enflammer la poussière ou les vapeurs.

c) **Éloigner les enfants et les personnes à proximité pendant l'utilisation d'un outil électrique.** Une distraction pourrait en faire perdre la maîtrise à l'utilisateur.

2) Sécurité en matière d'électricité

a) **Les fiches des outils électriques doivent correspondre à la prise. Ne jamais modifier la fiche d'aucune façon. Ne jamais utiliser de fiche d'adaptation avec un outil électrique mis à la terre.** Le risque de choc électrique sera réduit par l'utilisation de fiches non modifiées correspondant à la prise.

b) **Éviter tout contact physique avec des surfaces mises à la terre comme des tuyaux, des radiateurs, des cuisinières et des réfrigérateurs.** Le risque de choc électrique est plus élevé si votre corps est mis à la terre.

c) **Ne pas exposer les outils électriques à la pluie ou à l'humidité.** La pénétration de l'eau dans un outil électrique augmente le risque de choc électrique.

d) **Ne pas utiliser le cordon de façon abusive. Ne jamais utiliser le cordon pour transporter, tirer ou débrancher un outil électrique. Tenir le cordon éloigné de la chaleur, de l'huile, des bords tranchants et des pièces mobiles.** Les cordons endommagés ou enchevêtrés augmentent les risques de choc électrique.

e) **Pour l'utilisation d'un outil électrique à l'extérieur, se servir d'une rallonge convenant à cette application.** L'utilisation d'une rallonge conçue pour l'extérieur réduira les risques de choc électrique.

f) **S'il est impossible d'éviter l'utilisation d'un outil électrique dans un endroit humide, brancher l'outil dans une prise ou sur un circuit d'alimentation dotés d'un disjoncteur de fuite à la terre (GFCI).** L'utilisation de ce type de disjoncteur réduit les risques de choc électrique.

3) Sécurité personnelle

a) **Être vigilant, surveiller le travail effectué et faire preuve de jugement lorsqu'un outil électrique est utilisé. Ne pas utiliser d'outil électrique en cas de fatigue ou sous l'influence de drogues, d'alcool ou de médicaments.** Un simple moment d'inattention en utilisant un outil électrique peut entraîner des blessures corporelles graves.

b) **Utiliser des équipements de protection individuelle. Toujours porter une protection oculaire.** L'utilisation d'équipements de protection comme un masque antipoussière, des chaussures antidérapantes, un casque de sécurité ou des protecteurs auditifs lorsque la situation le requiert réduira les risques de blessures corporelles.

c) **Empêcher les démarrages intempestifs. S'assurer que l'interrupteur se trouve à la position d'arrêt avant de relier l'outil à une source d'alimentation et/ou d'insérer un bloc-piles, de ramasser ou de transporter l'outil.**

Transporter un outil électrique alors que le doigt repose sur l'interrupteur ou brancher un outil électrique dont l'interrupteur est à la position de marche risque de provoquer un accident.

d) **Retirer toute clé de réglage ou clé avant de démarrer l'outil.** Une clé ou une clé de réglage attachée à une partie pivotante de l'outil électrique peut provoquer des blessures corporelles.

e) **Ne pas trop tendre les bras. Conserver son équilibre en tout temps.** Cela permet de mieux maîtriser l'outil électrique dans les situations imprévues.

f) **S'habiller de manière appropriée. Ne pas porter de vêtements amples ni de bijoux. Garder les cheveux et les vêtements à l'écart des pièces mobiles.** Les vêtements amples, les bijoux ou les cheveux longs risquent de rester coincés dans les pièces mobiles.

g) **Si des composants sont fournis pour le raccordement de dispositifs de dépoussiérage et de ramassage, s'assurer que ceux-ci sont bien raccordés et utilisés.** L'utilisation d'un dispositif de dépoussiérage peut réduire les dangers engendrés par les poussières.

h) **Ne pas laisser votre connaissance acquise suite l'utilisation fréquente des outils vous permettre de baisser la garde et ignorer les principes de sécurité de l'outil.** Un acte irréfléchi peut causer une blessure grave en une fraction de seconde.

4) Utilisation et entretien d'un outil électrique

a) **Ne pas forcer un outil électrique. Utiliser l'outil électrique approprié à l'application.** L'outil électrique approprié effectuera un meilleur travail, de façon plus sûre et à la vitesse pour laquelle il a été conçu.

b) **Ne pas utiliser un outil électrique dont l'interrupteur est défectueux.** Tout outil électrique dont l'interrupteur est défectueux est dangereux et doit être réparé.

c) **Débranchez la fiche de la prise électrique et, si amovible, retirez le bloc-piles de l'outil avant d'effectuer tout ajustement, changement et entreposage de celui-ci.** Ces mesures préventives réduisent les risques de démarrage accidentel de l'outil électrique.

d) **Ranger les outils électriques hors de la portée des enfants et ne permettre à aucune personne n'étant pas familière avec un outil électrique ou son mode d'emploi d'utiliser cet outil.** Les outils électriques deviennent dangereux entre les mains d'utilisateurs inexpérimentés.

e) **Gardez les poignées et surfaces d'emprise propres et libres de tout produit lubrifiant. Vérifier si les pièces mobiles sont mal alignées ou coincées, si des pièces sont brisées ou présentent toute autre condition susceptible de nuire au bon fonctionnement de l'outil électrique. En cas de dommage, faire réparer l'outil électrique avant toute nouvelle utilisation.** Beaucoup d'accidents sont causés par des outils électriques mal entretenus.

f) **S'assurer que les outils de coupe sont aiguisés et propres.** Les outils de coupe bien entretenus et affûtés sont moins susceptibles de se coincer et sont plus faciles à maîtriser.

g) **Utiliser l'outil électrique, les accessoires, les forets, etc. conformément aux présentes directives en tenant compte des conditions de travail et du travail à effectuer.** L'utilisation d'un outil électrique pour toute opération autre que celle pour laquelle il a été conçu est dangereuse.

h) **Garder vos mains et les surfaces de prise sèches, propres et libres de graisse et de poussière.** Les mains et les surfaces de prise glissante ne permettent pas la manutention et le contrôle sécuritaires de l'outil dans les situations imprévues.

5) Utilisation et entretien du bloc-piles

a) **Ne recharger l'outil qu'au moyen du chargeur précisé par le fabricant.** L'utilisation d'un chargeur qui convient à un type de bloc-piles risque de provoquer un incendie s'il est utilisé avec un autre type de bloc-piles.

b) **Utiliser les outils électriques uniquement avec les bloc-piles conçus à cet effet.** L'utilisation de tout autre bloc-piles risque de causer des blessures ou un incendie.

c) **Lorsque le bloc-piles n'est pas utilisé, le tenir éloigné des objets métalliques, notamment des trombones, de la monnaie, des clés, des clous, des vis ou autres petits objets métalliques qui peuvent établir une connexion entre les deux bornes.** Le court-circuit des bornes du bloc-piles risque de provoquer des brûlures ou un incendie.

d) **En cas d'utilisation abusive, le liquide peut gicler hors du bloc-piles; éviter tout contact avec ce liquide. Si un contact accidentel se produit, laver à grande eau. Si le liquide entre en contact avec les yeux, obtenir également des soins médicaux.** Le liquide qui gicle hors du bloc-piles peut provoquer des irritations ou des brûlures.

e) **Ne pas utiliser de bloc-piles ou outil qui a été endommagé ou modifié.** Les unités endommagées ou modifiées peuvent avoir une réaction imprévisible résultant en un incendie, une explosion ou un potentiel de blessure.

f) **Ne pas exposer de bloc-piles ou l'outil aux flammes ou à des températures excessives.** L'exposition aux flammes ou à une température au-dessus de 130 °C (265 °F) pourrait causer une explosion.

g) **Suivre toutes les instructions de recharge et ne rechargez pas le bloc-piles ou l'outil à des températures hors de la plage de température indiquée dans les instructions.** Une recharge non conforme ou à une température hors des limites spécifiées peut endommager les piles et augmenter le risque d'incendie.

6) Réparation

a) **Faire réparer l'outil électrique par un réparateur professionnel en n'utilisant que des pièces de rechange identiques.** Cela permettra de maintenir une utilisation sécuritaire de l'outil électriques.

b) **Ne jamais réparer des blocs-piles endommagés.** La réparation de blocs-piles doit seulement être effectuée par le fabricant ou les fournisseurs de service autorisés.

Consignes de sécurité relatives à l'utilisation de la clé à cliquet

- **Tenez l'outil électrique par les surfaces de prise isolées lorsque vous effectuez une tâche où la fixation peut entrer en contact avec le câblage dissimulé.** Les pièces de fixation entrant en contact avec un câble « sous tension » peuvent exposer les pièces métalliques de l'outil « sous tension » et pourraient donner un choc électrique à l'utilisateur.
- **Utilisez des pinces ou une autre façon pratique de sécuriser et maintenir la pièce de travail sur une plateforme stable.** Tenir le travail par une main ou contre votre corps le laisse instable et peut mener à une perte de contrôle.
- **Les événements couvrent souvent des pièces qui se déplacent et doivent être évités.** Les vêtements amples, les bijoux ou les cheveux longs peuvent se coincer dans les pièces en mouvement.
- **N'utilisez pas cet outil durant de longues périodes. La vibration causée par le mouvement de l'outil peut être dangereuse pour vos mains et vos bras.** Utilisez des gants pour fournir un coussin supplémentaire et limiter l'exposition en prenant des périodes de repos fréquentes.
- **Les accessoires et les outils peuvent devenir chauds durant l'utilisation.** Portez des gants lorsque vous les touchez.
- **Lorsque le produit fonctionne pendant une période prolongée, les pièces métalliques de la tête à cliquet peuvent devenir chaudes.** Faites preuve de prudence et évitez tout contact avec la tête à cliquet lorsqu'elle est chaude.
- **Lorsque l'outil n'est pas utilisé, assurez-vous que le bouton de verrouillage est en position verrouillée ou retirez le bloc-piles afin d'éviter tout démarrage involontaire.**

Renseignements de sécurité supplémentaires

▲ AVERTISSEMENT : ne modifiez jamais l'outil électrique ou toute pièce de celui-ci. Cela pourrait entraîner des dommages matériels ou des blessures corporelles.

▲ AVERTISSEMENT : utilisez TOUJOURS des lunettes de sécurité. Les lunettes ordinaires NE SONT PAS des lunettes de

sécurité. Utilisez également un masque facial ou anti-poussière si l'opération de coupe est poussiéreuse. **PORTEZ TOUJOURS UN ÉQUIPEMENT DE SÉCURITÉ CERTIFIÉ :**

- protection oculaire ANSI Z87.1 (CAN/CSA Z94.3),
- protection auditive ANSI S12.6 (S3.19),
- protection respiratoire NIOSH/OSHA/MSHA.

▲ AVERTISSEMENT : certaines poussières créées par le ponçage mécanique, le sciage, l'aiguisage, le perçage et autres activités de construction contiennent des produits chimiques reconnus dans l'État de la Californie pour causer le cancer et des anomalies congénitales ou autres effets nuisibles sur la reproduction. Certains exemples de ces produits chimiques sont :

- le plomb provenant des peintures à base de plomb,
- la silice cristallisée provenant des briques, du ciment et d'autres produits de la maçonnerie ainsi que
- l'arsenic et le chrome provenant du bois de construction traité chimiquement.

Votre risque à ces expositions varie selon la fréquence dont vous effectuez ce type de travail. Pour réduire votre exposition à ces produits chimiques : travaillez dans un endroit bien aéré et avec un équipement de sécurité homologué, comme les masques anti-poussière spécialement conçus pour filtrer les particules microscopiques.

- **Portez des vêtements protecteurs et lavez vos zones exposées avec du savon et de l'eau.** Permettre à la poussière d'entrer dans votre bouche, vos yeux ou la laisser sur la peau peut favoriser l'absorption des produits chimiques dangereux. Dirigez les particules loin du visage et du corps.

- **Utilisez l'extracteur de poussière approprié pour enlever la grande majorité de la poussière statique et en suspension dans l'air.** Ne pas enlever la poussière statique et en suspension dans l'air peut contaminer l'environnement de travail ou présenter un risque accru pour la santé de l'utilisateur et les personnes à proximité.

▲ ATTENTION : lorsqu'il n'est pas utilisé, placez l'outil sur une surface stable où il ne risque pas de basculer ou de tomber. Certains outils avec de gros blocs-piles se tiendront debout sur le bloc-piles, mais ils peuvent facilement être renversés.

▲ AVERTISSEMENT : tenir à l'écart des aimants. Le risque lié aux aimants peut perturber le fonctionnement d'un stimulateur cardiaque et d'entraîner une blessure grave ou la mort.

L'étiquette sur votre outil peut comporter les symboles suivants. Les symboles et les définitions sont les suivants :

v.....volts	W.....watts
Hz.....hertz	Wh.....Wattheures
min.....minutes	Ah.....ampères-heures
— — ou CC.....courant continu	~ ou CA.....courant alternatif
Ⓢ.....Structure de classe I (mise à la terre)	Ⓢ ou CA/CC...courant alternatif ou continu
.../min..... par minute	Ⓢ.....Structure de classe II (doublement isolé)
BPM.....battements par minute	n ₀vitesse à vide
IPM.....impacts par minute	n.....vitesse nominale
OPM.....oscillations par minute	PSI.....livres par pouce carré
Tr/min.....tours par minute	Ⓢ.....borne de terre
sfpm.....pieds de surface par minute	⚠.....symbole d'alertes de sécurité
CPM.....coups par minute	⚠.....rayonnement visible - ne regardez pas directement la lampe
A.....ampères	

⚠.....risque magnétique	📖.....lisez toute la documentation
👤.....portez une protection respiratoire	☔.....ne pas exposer à la pluie
👁.....portez une protection oculaire	🚫.....ne pas utiliser à proximité d'un stimulateur cardiaque
👂.....portez une protection auditive	

ASSEMBLAGE ET RÉGLAGES

▲ AVERTISSEMENT : afin de réduire le risque des blessures corporelles graves, arrêtez l'appareil et retirez le blocs-piles avant d'effectuer tout réglage ou de retirer/installer des pièces ou des accessoires. Un démarrage accidentel peut causer des blessures.

Retirer et installer l'enclume (Fig. B, C)

▲ AVERTISSEMENT : l'enclume interchangeable de 1/2 po avec hexagone de 1/4 po contient des aimants et ne doit pas être utilisée à proximité de stimulateurs cardiaques.

▲ ATTENTION : inspectez l'enclume avant l'utilisation. Les articles manquants ou endommagés doivent être remplacés avant l'utilisation.

Choisissez l'enclume interchangeable de taille appropriée :

- Enclume à double extrémité de 3/8 po ou 1/4 po **9**
- Enclume de 1/2 po avec hexagone de 1/4 po **10**

Pour retirer

1. D'une main, appuyez sur le bouton de verrouillage/déverrouillage de l'enclume **8** et, de l'autre main, tirez sur l'enclume interchangeable **9** ou **10** pour la retirer de l'outil.

Pour installer

1. D'une main, appuyez sur le bouton de verrouillage/déverrouillage de l'enclume **8** et, de l'autre main, insérez complètement l'enclume interchangeable souhaitée **9** ou **10** dans l'outil. Relâchez le bouton **8** et laissez-le revenir en position verrouillée, puis tirez sur l'enclume interchangeable **9** ou **10** pour vous assurer qu'elle est bien fixée.

UTILISATION

▲ AVERTISSEMENT : afin de réduire tout risque de blessure grave, éteignez la machine et retirez le bloc-batterie avant d'effectuer toute opération de réglage ou avant de retirer ou d'installer un équipement ou un accessoire. Tout démarrage accidentel peut occasionner des blessures.

Position appropriée des mains (Fig. D)

▲ AVERTISSEMENT : afin de réduire le risque de blessure corporelle grave, utilisez **TOUJOURS** la position des mains appropriée comme illustré.

▲ AVERTISSEMENT : afin de réduire le risque de blessure grave, tenez **TOUJOURS** fermement l'outil en prévision d'une réaction soudaine.

▲ AVERTISSEMENT : le cliquet peut bloquer (si surchargé ou mal utilisé) causant une torsion. Attendez-vous toujours à un blocage. Saisissez solidement le cliquet pour contrôler le mouvement de torsion et prévenir la perte de contrôle qui pourrait causer une blessure corporelle.

Une position des mains appropriée nécessite une main sur la poignée principale **6** pour contrôler le mouvement de torsion du cliquet.

Installation et retrait du bloc-piles (Fig. E)

REMARQUE : pour une meilleure performance, assurez-vous que le bloc-piles est complètement chargé.

1. Pour installer le bloc-piles **3** dans l'outil, alignez le bloc-piles avec les glissières à l'intérieur de la poignée de l'outil et glissez-le dans la poignée jusqu'à ce que le bloc-piles soit bien placé dans l'outil et assurez-vous qu'il est enclenché.

2. Pour retirer le bloc-piles de l'outil, appuyez sur le bouton de libération **4** et tirez-le fermement hors de la poignée de l'outil. Insérez-le dans le chargeur.

Gâchette à vitesse variable (Fig. A)

L'outil est mis en marche ou éteint en appuyant et en relâchant la gâchette de vitesse variable **1**. Plus vous appuyez sur la gâchette, plus la vitesse de la perceuse sera élevée. L'enclume s'arrêtera lorsque vous aurez relâché complètement la gâchette.

Cadran Avancer/Reculer (Fig. A, F)

Un cadran Avancer/Reculer **2** détermine le sens de la rotation de l'outil.

- Pour sélectionner la rotation vers l'avant (sens des aiguilles d'une montre), relâchez la gâchette et tournez le cadran Avancer/Reculer **2** sur la tête de l'outil dans le sens contraire des aiguilles d'une montre.

- Pour sélectionner la rotation vers l'arrière (sens contraire des aiguilles d'une montre), relâchez la gâchette et tournez le cadran Avancer/Reculer **2** sur la tête de l'outil dans le sens des aiguilles d'une montre.

REMARQUE : la première fois que l'outil fonction après un changement de sens de rotation, vous pourriez entendre un clic lors du démarrage. C'est normal et cela n'indique pas un problème.

Éclairage de travail (Fig. A)

L'éclairage de travail **5** s'allume lorsque la gâchette **1** est enfoncée et il s'éteint automatiquement **10** secondes après avoir relâché la gâchette. Si la gâchette reste enfoncée, l'éclairage de travail reste allumé.

REMARQUE : l'éclairage de travail sert à éclairer la surface de travail immédiate et il ne doit pas être utilisé comme lampe torche.

Bouton de verrouillage (Fig. A)

Pour verrouiller l'outil, glissez le bouton de verrouillage **7** à la position verrouillée. Lorsque le bouton de verrouillage est en position verrouillée, l'outil est verrouillé et vous ne pouvez pas appuyer sur la gâchette **1**.

Utilisation (Fig. A–E)

▲ AVERTISSEMENT : afin de réduire le risque des blessures corporelles graves, éteignez l'outil et retirez le blocs-piles avant d'effectuer tout réglage ou de retirer/ installer des pièces ou des accessoires. Un démarrage accidentel peut causer des blessures.

▲ AVERTISSEMENT : le cliquet peut bloquer s'il est surchargé causant une torsion soudaine. Attendez toujours à ce que l'outil torde. Saisissez fermement le cliquet pour contrôler l'action de la torsion et éviter une blessure.

▲ ATTENTION : assurez-vous que la fixation et/ou le système résisteront au niveau du couple généré par l'outil. Un couple excessif peut entraîner un bris et une possible blessure corporelle.

Couple maximum appliqué de l'outil			
N° de cat.	TR/MIN	Pi-lb	Nm
CMCF935	0–300	40	54,2
CMCF936	0–300	40	54,2

Couple manuel maximum appliqué			
N° de cat.	Taille de fixation	Pi-lb	Nm
CMCF935	1/4 po	45	61,0
	3/8 po et 1/2 po	100	135,6
CMCF936	1/4 po	45	61,0
	3/8 po et 1/2 po	100	135,6

1. Installez un enclume de taille appropriée **9** ou **10** sur l'outil.
 2. Installez l'accessoire approprié sur l'enclume.
 3. Placez l'accessoire sur la tête de la fixation. Gardez l'outil pointé droit sur la fixation.
 4. Tenez compte de l'utilisation prévue et sélectionnez la rotation avant ou arrière.
 5. Appuyez sur la gâchette de vitesse variable **1** pour démarrer l'utilisation.
 6. Relâchez la gâchette de vitesse variable **1** pour arrêter l'utilisation.
 7. Si le cliquet bloque, l'outil est surchargé ou est mal utilisé. Relâchez immédiatement la gâchette de vitesse variable **1**. Ne pas appuyer ni relâcher la gâchette de vitesse variable **1** dans le but de démarrer un cliquet bloqué. Cela risque d'endommager l'outil.
 8. Le cliquet peut aussi être utilisé manuellement pour desserrer des fixations tenaces ou les serrer en relâchant la gâchette et en appliquant le couple à la main.
 9. Éteignez l'appareil et assurez-vous que le bouton de verrouillage **7** est en position verrouillée ou retirez le bloc-piles avant d'utiliser l'appareil manuellement et d'appliquer le couple à la main.
- REMARQUE :** un couple excessif appliqué manuellement peut endommager les enclumes interchangeables **9** ou **10** s'il dépasse la limite de couple.

MAINTENANCE

▲ AVERTISSEMENT : afin de réduire tout risque de blessure grave, éteignez la machine et retirez le bloc-batterie avant d'effectuer toute opération de réglage ou avant de retirer ou d'installer un équipement ou un accessoire. Tout démarrage accidentel peut occasionner des blessures.

Notre outil électrique CRAFTSMAN a été conçu pour fonctionner longtemps avec un minimum d'entretien. Son fonctionnement continu et satisfaisant dépend de son bon entretien et de son nettoyage régulier.

Nettoyage

▲ AVERTISSEMENT : enlever les saletés et la poussière hors des événements au moyen d'air comprimé propre et sec, au moins une fois par semaine. Pour minimiser le risque de blessure aux yeux, toujours porter une protection oculaire conforme à la norme ANSI Z87.1 lors du nettoyage.

▲ AVERTISSEMENT : ne jamais utiliser de solvants ni d'autres produits chimiques puissants pour nettoyer les pièces

non métalliques de l'outil. Ces produits chimiques peuvent affaiblir les matériaux de plastique utilisés dans ces pièces. Utiliser un chiffon humecté uniquement d'eau et de savon doux. Ne jamais laisser de liquide pénétrer dans l'outil et n'immerger aucune partie de l'outil dans un liquide.

Accessoires

▲ AVERTISSEMENT : les accessoires autres que CRAFTSMAN n'ayant pas été testés avec ce produit, leur utilisation avec cet outil peut s'avérer dangereuse. Pour réduire le risque de blessure, seuls les accessoires recommandés par CRAFTSMAN doivent être utilisés avec ce produit.

Les accessoires recommandés pour utilisation avec cet outil sont disponibles à un coût supplémentaire chez votre détaillant local ou dans un centre de services autorisé. Si vous avez besoin d'aide pour localiser un accessoire, contactez CRAFTSMAN. Appelez au 1-888-331-4569.

VersaTrack™ (Fig. A, G) (vendu séparément)

▲ AVERTISSEMENT : afin de réduire le risque des blessures corporelles graves, éteignez l'outil et retirez le bloc-piles avant d'effectuer tout réglage ou de retirer/installer des pièces ou des accessoires. Un démarrage accidentel peut causer des blessures.

▲ AVERTISSEMENT : pour réduire le risque de blessures graves, ne pas utiliser un crochet de suspension ou VersaTrack™ Trackwall. Un crochet de suspension ou VersaTrack™ Trackwall endommagé ne peut supporter le poids de l'outil.

▲ AVERTISSEMENT : afin de réduire le risque de blessures graves, assurez-vous que les vis qui maintiennent le crochet de suspension VersaTrack™ sont bien serrées.

▲ AVERTISSEMENT : pour réduire le risque de blessures graves, NE PAS suspendre l'outil au-dessus de la tête ni suspendre d'autres objets au crochet de suspension. Suspendez SEULEMENT l'outil sur le VersaTrack™ Trackwall à l'aide du crochet de suspension.

▲ AVERTISSEMENT : le crochet de suspension intégré VersaTrack™ n'est pas un crochet pour courroie.

▲ AVERTISSEMENT : assurez-vous que le poids de l'outil ne dépasse pas le poids nominal maximum de 20 lb (9 kg) pour le crochet VersaTrack™ sélectionné.

▲ AVERTISSEMENT : lorsque vous suspendez des objets sur un rail mural VersaTrack™, distangez les outils de façon adéquate pour ne pas excéder 75 lb (35 kg) par pied linéaire.

IMPORTANT : pour la fixation du crochet de suspension VersaTrack™, utilisez seulement la vis fournie. Assurez-vous de bien serrer la vis. Les accessoires VersaTrack™ permettent d'installer des outils compatibles de façon sécuritaire sur le système de rail mural VersaTrack™.

▲ ATTENTION : tout produit avec dents coupantes exposées doit être couvert de façon sécuritaire s'il doit être mis sur le rail mural VersaTrack™.

1. Éteignez l'outil, retirez le bloc-pile et les accessoires.
2. Fixez le crochet de suspension **13** sur l'outil.
 - a. Placez le crochet de suspension VersaTrack™ à l'emplacement de montage **12** situé à l'arrière de l'outil.
 - b. Utilisez un tournevis pour sécuriser le crochet de suspension avec la vis **14** fournie. N'utilisez pas d'autre vis pour le faire.

REMARQUE : les accessoires VersaTrack™ pour utilisation avec votre outil sont disponibles à un coût supplémentaire chez votre détaillant local ou dans un centre de services

agréé. Si vous avez besoin d'aide pour trouver un accessoire, veuillez contacter CRAFTSMAN. Appelez le 1 888 331-4569.

Crochet de suspension (Fig. A, H) (vendu séparément)

▲ AVERTISSEMENT : pour réduire les risques de blessures graves, placez le bouton de verrouillage de la gâchette en position de verrouillage ou éteignez l'outil et débranchez le bloc-piles avant d'effectuer des réglages ou de retirer/installer des pièces ou des accessoires. Un démarrage accidentel peut causer des blessures.

▲ AVERTISSEMENT : afin de réduire le risque de blessure corporelle grave, utiliser SEULEMENT le crochet de ceinture de l'outil pour suspendre l'outil à partir de votre corps. NE PAS utiliser l'agrafe pour courroie pour attacher ou sécuriser l'outil à une personne ou un objet durant l'utilisation. NE PAS suspendre l'outil au plafond ou suspendre des objets à partir de l'agrafe pour courroie.

▲ AVERTISSEMENT : afin de réduire le risque de blessures graves, assurez-vous que la vis maintenant le crochet de ceinture est sécuritaire.

IMPORTANT : pour la fixation ou le remplacement du crochet de suspension, utilisez seulement la vis qui est fournie. Assurez-vous que la vis est bien serrée.

1. Éteignez l'outil, retirez le bloc-piles et les accessoires.
2. Fixez le crochet de suspension **15** sur l'outil.
 - a. Placez le crochet de suspension sur l'emplacement du montage **12** à l'arrière de l'outil.
 - b. Utilisez un tournevis pour fixer le crochet de ceinture à l'aide de la vis fournie **14**. N'utilisez pas d'autre vis pour le faire. Si vous ne voulez pas du tout du crochet, vous pouvez le retirer de l'outil.

Réparations

Le chargeur et le bloc-piles ne sont pas réparables. Le chargeur ou le bloc-piles ne comportent aucune pièce réparable.

▲ AVERTISSEMENT : pour assurer la SÉCURITÉ et la FIABILITÉ du produit, les réparations, l'entretien et les réglages doivent être réalisés (cela comprend l'inspection et le remplacement du balai, le cas échéant) par un centre de réparation en usine CRAFTSMAN ou un centre de réparation agréé CRAFTSMAN. Toujours utiliser des pièces de rechange identiques.

Divulgaration pour le Québec

Nous ne garantissons pas la disponibilité des pièces de rechange, des services de réparation ni des informations nécessaires pour l'entretien ou la réparation des produits visés par la Loi sur la protection du consommateur du Québec, telle que modifiée par le projet de loi 29.

Enregistrez-vous en ligne

Nous vous remercions de votre achat. Enregistrez votre produit maintenant pour :

- **SERVICE DE GARANTIE :** l'enregistrement de votre produit en ligne vous aide à obtenir un service de garantie efficace au cas où vous auriez un problème avec votre produit.
- **CONFIRMATION DE PROPRIÉTÉ :** en cas de pertes liées aux assurances telles qu'un incendie, une inondation ou un vol, votre enregistrement de propriété servira de preuve de votre achat.
- **POUR VOTRE SÉCURITÉ :** l'enregistrement de votre produit nous permet de vous contacter dans le cas peu probable

FRANÇAIS

d'une notification de sécurité requise selon le Federal Consumer Safety Act.

Inscrivez-vous en ligne sur www.craftsman.com/account/login.

Garantie limitée de trois ans

Pour les conditions de la garantie, consultez le site www.craftsman.com/pages/warranty.

Pour demander une copie écrite des conditions de la garantie, contactez : service à la clientèle chez CRAFTSMAN, 701 East Joppa Road, Towson, MD 21286 ou appelez le **1-888-331-4569**.

AMÉRIQUE LATINE : la présente garantie ne s'applique pas aux produits vendus en Amérique Latine. Pour les produits vendus en Amérique Latine, consultez les renseignements sur la garantie particulière au pays comprise dans l'emballage, appelez l'entreprise locale ou consultez le site Web pour les renseignements complets sur la garantie.

REPLACEMENT DES ÉTIQUETTES D'AVERTISSEMENT

GRATUIT : si vos étiquettes d'avertissement deviennent illisibles ou sont manquantes, appelez au **1-888-331-4569** pour un remplacement gratuit.

Uso pretendido

Esta matraca eléctrica está diseñada para aplicaciones de apriete de servicio ligero. Esta matraca eléctrica no es un torquímetro.

NO use esta herramienta para apretar sujetadores a pares de apriete específicos. Se debe usar un dispositivo de medición de par calibrado independiente como un torquímetro cuando se especifiquen pares.

NO use manualmente para aplicaciones de alto par, como birlos y pernos de un vehículo. El par excesivo aplicado manualmente puede dañar el alojamiento, mecanismo de la herramienta o el yunque.

NO use bajo condiciones húmedas o en presencia de líquidos o gases inflamables.

NO permita que niños estén en contacto con la herramienta. Se requiere supervisión cuando operadores sin experiencia operen esta herramienta.

ADVERTENCIAS GENERALES DE SEGURIDAD PARA HERRAMIENTAS ELÉCTRICAS

▲ ADVERTENCIA: Lea todas las advertencias de seguridad, instrucciones, ilustraciones y especificaciones incluidas con esta herramienta eléctrica. La falla en seguir todas las instrucciones siguientes puede resultar en descarga eléctrica, incendio y/o lesiones serias.

CONSERVE TODAS LAS ADVERTENCIAS E INSTRUCCIONES PARA FUTURAS CONSULTAS.

El término "herramienta eléctrica" incluido en las advertencias hace referencia a las herramientas eléctricas operadas con corriente (con cable eléctrico) o a las herramientas eléctricas operadas con baterías (inalámbricas).

1) Seguridad en el Área de Trabajo

a) **Mantenga el área de trabajo limpia y bien iluminada.** Las áreas abarrotadas y oscuras propician accidentes.

b) **No opere las herramientas eléctricas en atmósferas explosivas, como ambientes donde haya polvo, gases o líquidos inflamables.** Las herramientas eléctricas originan chispas que pueden encender el polvo o los vapores.

c) **Mantenga alejados a los niños y a los espectadores de la herramienta eléctrica en funcionamiento.** Las distracciones pueden provocar la pérdida de control.

2) Seguridad Eléctrica

a) **No enchufes de la herramienta eléctrica deben adaptarse al tomacorriente. Nunca modifique el enchufe de ninguna manera. No utilice ningún enchufe adaptador con herramientas eléctricas con conexión a tierra.** Los enchufes no modificados y que se adaptan a los tomacorrientes reducirán el riesgo de descarga eléctrica.

b) **Evite el contacto corporal con superficies con descargas a tierra como, por ejemplo, tuberías, radiadores, cocinas eléctricas y refrigeradores.** Existe mayor riesgo de descarga eléctrica si su cuerpo está puesto a tierra.

c) **No exponga las herramientas eléctricas a la lluvia o a condiciones de humedad.** Si entra agua a una herramienta eléctrica, aumentará el riesgo de descarga eléctrica.

d) **No maltrate el cable. Nunca utilice el cable para transportar, tirar o desenchufar la herramienta eléctrica. Mantenga el cable alejado del calor, el aceite, los bordes**

filosos y las piezas móviles. Los cables dañados o enredados aumentan el riesgo de descarga eléctrica.

e) **Al operar una herramienta eléctrica en el exterior, utilice un cable prolongador adecuado para tal uso.**

Utilice un cable adecuado para uso en exteriores a fin de reducir el riesgo de descarga eléctrica.

f) **Si el uso de una herramienta eléctrica en un lugar húmedo es imposible de evitar, utilice un suministro protegido con un interruptor de circuito por falla a tierra (GFCI).** El uso de un GFCI reduce el riesgo de descargas eléctricas.

3) Seguridad Personal

a) **Permanezca alerta, controle lo que está haciendo y utilice el sentido común cuando emplee una herramienta eléctrica. No utilice una herramienta eléctrica si está cansado o bajo el efecto de drogas, alcohol o medicamentos.** Un momento de descuido mientras se opera una herramienta eléctrica puede provocar lesiones personales graves.

b) **Utilice equipos de protección personal. Siempre utilice protección para los ojos.** En las condiciones adecuadas, el uso de equipos de protección, como máscaras para polvo, calzado de seguridad antideslizante, cascos o protección auditiva, reducirá las lesiones personales.

c) **Evite el encendido por accidente. Asegúrese de que el interruptor esté en la posición de apagado antes de conectarlo a la fuente de energía o paquete de baterías, o antes de levantar o transportar la herramienta.** Transportar herramientas eléctricas con el dedo apoyado en el interruptor o enchufar herramientas eléctricas con el interruptor en la posición de encendido puede propiciar accidentes.

d) **Retire la clavija de ajuste o la llave de tuercas antes de encender la herramienta eléctrica.** Una llave de tuercas o una clavija de ajuste que quede conectada a una pieza giratoria de la herramienta eléctrica puede provocar lesiones personales.

e) **No se estire. Conserve el equilibrio y párese adecuadamente en todo momento.** Esto permite un mejor control de la herramienta eléctrica en situaciones inesperadas.

f) **Use la vestimenta adecuada. No use ropas holgadas ni joyas. Mantenga el cabello y la ropa alejados de las piezas en movimiento.** Las ropas holgadas, las joyas o el cabello largo pueden quedar atrapados en las piezas en movimiento.

g) **Si se suministran dispositivos para la conexión de accesorios con fines de recolección y extracción de polvo, asegúrese de que estén conectados y que se utilicen correctamente.** El uso de dispositivos de recolección de polvo puede reducir los peligros relacionados con el polvo.

h) **No permita que la familiaridad obtenida a partir del uso frecuente de herramientas le permitan volverse descuidado e ignorar los principios de seguridad de la herramienta.** Una acción descuidada puede causar lesiones severas en una fracción de segundo.

4) Uso y Mantenimiento de la Herramienta Eléctrica

a) **No fuerce la herramienta eléctrica. Utilice la herramienta eléctrica correcta para el trabajo que realizará.** Si se la utiliza a la velocidad para la que fue diseñada, la herramienta eléctrica correcta permite trabajar mejor y de manera más segura.

b) **No utilice la herramienta eléctrica si no puede encenderla o apagarla con el interruptor.** Toda herramienta eléctrica que no pueda ser controlada mediante el interruptor es peligrosa y debe repararse.

c) **Desconecte el enchufe de la fuente de alimentación y/o retire la batería, o paquete si es desmontable, de la herramienta eléctrica antes de realizar cualquier ajuste, cambiar accesorios o almacenar herramientas eléctricas.** Estas medidas de seguridad preventivas reducen el riesgo de encender la herramienta eléctrica en forma accidental.

d) **Guarde la herramienta eléctrica que no esté en uso fuera del alcance de los niños y no permita que otras personas no familiarizadas con ella o con estas instrucciones operen la herramienta.** Las herramientas eléctricas son peligrosas si son operadas por usuarios no capacitados.

e) **Dé mantenimiento a las herramientas eléctricas y accesorios. Revise que no haya piezas en movimiento mal alineadas o trabadas, piezas rotas o cualquier otra situación que pueda afectar el funcionamiento de la herramienta eléctrica. Si encuentra daños, haga reparar la herramienta eléctrica antes de utilizarla.** Se producen muchos accidentes a causa de las herramientas eléctricas que carecen de un mantenimiento adecuado.

f) **Mantenga las herramientas de corte afiladas y limpias.** Las herramientas de corte con mantenimiento adecuado y con los bordes de corte afilados son menos propensas a trabarse y son más fáciles de controlar.

g) **Utilice la herramienta eléctrica, los accesorios y las brocas de la herramienta, etc. de acuerdo con estas instrucciones y teniendo en cuenta las condiciones de trabajo y el trabajo que debe realizarse.** El uso de la herramienta eléctrica para operaciones diferentes de aquellas para las que fue diseñada podría originar una situación peligrosa.

h) **Mantenga las manijas y superficies de sujeción secas, limpias y libres de aceite y grasa.** Las manijas y superficies de sujeción resbalosas no permiten el manejo y control seguros de la herramienta en situaciones inesperadas.

5) Uso y Mantenimiento de la Herramienta con Baterías

a) **Recargue solamente con el cargador especificado por el fabricante.** Un cargador adecuado para un tipo de paquete de baterías puede originar riesgo de incendio si se utiliza con otro paquete de baterías.

b) **Utilice herramientas eléctricas sólo con paquetes de baterías específicamente diseñados.** El uso de cualquier otro paquete de baterías puede producir riesgo de incendio y lesiones.

c) **Cuando no utilice el paquete de baterías, manténgalo lejos de otros objetos metálicos como sujetapapeles, monedas, llaves, clavos, tornillos u otros objetos metálicos pequeños que puedan realizar una conexión desde un terminal al otro.** Los cortocircuitos en los terminales de la batería pueden provocar quemaduras o incendio.

d) **En condiciones abusivas, el líquido puede ser expulsado de la batería. Evite su contacto. Si entra en contacto accidentalmente, enjuague con agua. Si el líquido entra en contacto con los ojos, busque atención médica.** El líquido expulsado de la batería puede provocar irritación o quemaduras.

e) **No use un paquete de batería o herramienta que estén dañados o modificados.** Las baterías dañadas o modificadas pueden presentar un comportamiento impredecible que resulte en incendios, explosión o riesgo de lesiones.

f) **No exponga un paquete de batería o una herramienta a fuego o temperatura excesiva.** La exposición a fuego o temperaturas mayores a 130 °C (265 °F) pueden causar una explosión.

g) **Siga todas las instrucciones de carga y no cargue el paquete de batería o la herramienta fuera del rango de temperatura especificado en las instrucciones.** Cargar inadecuadamente o en una temperatura fuera del rango de temperatura especificado puede dañar la batería e incrementar el riesgo de incendio.

6) Mantenimiento

a) **Solicite a una persona calificada en reparaciones que realice el mantenimiento de su herramienta eléctrica y que sólo utilice piezas de repuesto idénticas.** Esto garantizará la seguridad de la herramienta eléctrica.

b) **Nunca dé servicio a paquetes de batería dañados.** El servicio de paquetes de batería sólo debe ser realizado por el fabricante o proveedores de servicio autorizados.

Instrucciones de seguridad para destornillador de matraca

- **Sostenga la herramienta eléctrica por las superficies de sujeción aisladas cuando realice una operación en la que el sujetador pueda tener contacto con cableado oculto.**

Los sujetadores que hagan contacto con cable "vivo" pueden tener partes de metal expuestas de la herramienta "viva" y podrían dar al operador una descarga eléctrica.

- **Use abrazaderas u otra manera práctica para asegurar y soportar la pieza de trabajo a una plataforma estable.** Sostener el trabajo a mano o contra su cuerpo lo hace inestable y puede guiar a la pérdida de control.

- **Las ventilas de aire a menudo cubren las partes móviles y se deben evitar.** La ropa suelta, joyería, o cabello largo podrían quedar atrapados en las partes móviles.

- **No opere esta herramienta por largos períodos de tiempo. La vibración causada por la acción de la herramienta puede ser dañina para sus manos y brazos.** Use guantes para proporcionar un amortiguamiento adicional y limite la exposición tomando periodos de descanso frecuentes.

- **Los accesorios y herramientas se pueden calentar durante la operación.** Use guantes cuando los toque.

- **Al utilizar el producto durante un período prolongado, las piezas metálicas del cabezal de matraca pueden calentarse.** Tenga cuidado y evite el contacto con el cabezal de matraca mientras esté caliente.

- **Cuando no utilice la herramienta, asegúrese que el botón de bloqueo esté en la posición de bloqueo o retire la batería para evitar un arranque accidental.**

Información de seguridad adicional

▲ **ADVERTENCIA:** Nunca modifique la herramienta eléctrica ni ninguna parte de ella. Podrían producirse daños o lesiones personales.

▲ **ADVERTENCIA:** SIEMPRE use gafas de seguridad. Los anteojos de uso diario NO son gafas de seguridad. También use una careta o máscara de polvo si la

operación de corte produce polvo. SIEMPRE USE EQUIPO DE SEGURIDAD CERTIFICADO:

- Protección para los ojos ANSI Z87.1 (CAN/CSA Z94.3),
- Protección auditiva ANSI S12.6 (S3.19),
- Protección respiratoria NIOSH/OSHA/MSHA.

▲ ADVERTENCIA: Algún polvo creado por lijado, aserrado, pulido, perforación eléctricos y otras actividades de construcción contienen químicos conocidos por el Estado de California como causantes de cáncer, defectos de nacimiento u otros daños reproductivos. Algunos ejemplos de estos químicos son:

- plomo a partir de pinturas a base de plomo,
 - sílice cristalino de ladrillos y cemento y otros productos de mampostería, y
 - arsénico y cromo a partir de madera tratada químicamente.
- Su riesgo a partir de estas exposiciones varía, dependiendo de qué tan a menudo realice este tipo de trabajo. Para reducir su exposición a estos químicos: trabaje en un área bien ventilada, y trabaje con equipo de seguridad aprobado, tal como máscaras de polvo que estén diseñadas específicamente para filtrar partículas microscópicas.

- Use ropa de protección y lave las áreas expuestas con agua y jabón. Permitir que el polvo entre en su boca, ojos, o que quede sobre la piel puede promover la absorción de químicos peligrosos. Dirija las partículas lejos de la cara y el cuerpo.
- Use la aspiradora de extracción de polvo adecuada para retirar la mayoría de polvo estático y transportado por aire. La falla en retirar el polvo estático y transportado por aire podría contaminar el ambiente de trabajo y presentar un riesgo de salud mayor al operador y personas en las cercanías.

▲ PRECAUCIÓN: Cuando no esté en uso, coloque la herramienta en su lado sobre una superficie estable donde no cause un peligro de tropiezo o caída. Algunas herramientas con paquetes de batería grandes pueden quedar verticales sobre el paquete de batería pero se pueden voltear fácilmente

▲ ADVERTENCIA: Manténgase alejado del imán.

El peligro magnético puede perturbar la operación de marcapasos y provocar lesiones graves o la muerte.

La etiqueta en su herramienta puede incluir los siguientes símbolos. Los símbolos y sus definiciones son los siguientes:

V	voltios	Wh	Watt Horas
Hz	hertz	Ah	amperios hertz
min	minutos	~ o CA	corriente alterna
— o CD	corriente directa	~ o CA/CD	corriente alterna o directa
Ⓢ	Construcción Clase I (conectada a tierra)	Ⓢ	Construcción Clase II (aislamiento doble)
.../min	por minuto	n ₀	velocidad sin carga
BPM	golpes por minuto	n	velocidad nominal
IPM	impactos por minuto	PSI	libras por pulgada cuadrada
OPM	oscilaciones por minuto	Ⓢ	terminal de tierra
RPM	revoluciones por minuto	▲	símbolo de alerta de seguridad
sfpm	pies de superficie por minuto	▲	radiación visible—no mirar directamente a la luz
CPM	carreras por minuto	▲	riesgo magnético
A	ampéres		
W	watts		

☑	use protección respiratoria	📄	lea toda la documentación
☑	use protección para los ojos	☔	no exponga a la lluvia
☑	use protección auditiva	🚫	no use alrededor de marcapasos

ENSAMBLE Y AJUSTES

▲ ADVERTENCIA: Para reducir el riesgo de lesiones personales serias, apague la unidad y retire el paquete de batería antes de realizar cualquier ajuste o retirar/instalar conexiones o accesorios. Un arranque accidental puede causar lesiones.

Desinstalación e instalación de yunque (Fig. B, C)

▲ ADVERTENCIA: El yunque intercambiable de 1/2" con hexágono interior de 1/4" contiene imanes y no debe utilizarse cerca de marcapasos.

▲ ATENCIÓN: Revise el yunque antes de usarlo. Los elementos faltantes o dañados se deben reemplazar antes del uso.

Elija el yunque intercambiable del tamaño adecuado:

- Yunque de 3/8" o 1/4" de extremo doble **9**
- Yunque de 1/2" con hexagonal de 1/4" **10**

Para retirar

1. Con una mano empuje el botón de bloqueo/liberación de yunque hacia arriba **8** y con la otra mano extraiga el yunque intercambiable **9** o **10** para retirarlo de la herramienta.

Para instalar

1. Con una mano empuje el botón de bloqueo/liberación de yunque hacia arriba **8** y con la otra mano inserte el yunque intercambiable deseado **9** o **10** completamente en la herramienta. Libere el botón **8** y deje que regrese a la posición bloqueada y jale el yunque intercambiable **9** o **10** para garantizar que esté asegurado en su lugar.

OPERACIÓN

▲ ADVERTENCIA: Para reducir el riesgo de lesiones personales serias, apague la unidad y retire el paquete de batería antes de realizar cualquier ajuste o retirar/instalar conexiones o accesorios. Un arranque accidental puede causar lesiones.

Colocación adecuada de manos (Fig. D)

▲ ADVERTENCIA: Para reducir el riesgo de lesiones personales serias, SIEMPRE use la posición de las manos adecuada como se muestra.

▲ ADVERTENCIA: Para reducir el riesgo de lesiones personales serias, SIEMPRE sostenga firmemente en anticipación de una reacción repentina.

▲ ADVERTENCIA: La matraca puede atascarse (si se sobrecarga o usa de forma incorrecta) y provocar un giro. Siempre espere el atoramiento. Sujete firmemente la matraca para controlar la acción de giro y evitar la pérdida de control que podría causar lesiones personales.

La posición de manos adecuada requiere una mano en la manija principal **6** como se muestra para controlar la acción de giro de la matraca.

Instalación y Desinstalación del Paquete de Batería (Fig. E)

NOTA: Para mejores resultados, asegúrese que su paquete de batería esté completamente cargado.

1. Para instalar el paquete de batería **3** en la manija de la herramienta, alinee el paquete de la batería con los rieles dentro de la manija de la herramienta y deslícelo en la manija hasta que el paquete de batería esté asentado firmemente en la herramienta y asegúrese que no se desconecte.

2. Para retirar el paquete de batería de la herramienta, presione el botón de liberación del paquete de batería **4** y jale firmemente el paquete de batería fuera de la manija de la herramienta. Insértelo en el cargador.

Gatillo de velocidad variable (Fig. A)

La herramienta se enciende y apaga jalando y liberando el gatillo de velocidad variable **1**. Mientras más se presione el gatillo, mayor será la velocidad de la herramienta. El yunque se detendrá tan pronto como el interruptor de gatillo se libere por completo.

Carátula de avance/reversa (Fig. A, F)

Una carátula de avance/reversa **2** determina la dirección de rotación de la herramienta.

- Para seleccionar la rotación de avance (en sentido de las manecillas del reloj), libere el gatillo y gire la carátula de avance/reversa **2** en la cabeza de la herramienta en dirección contraria a las manecillas del reloj.
- Para seleccionar la rotación de reversa (en sentido contrario a las manecillas del reloj), libere el gatillo y gire la carátula de avance/reversa **2** en la cabeza de la herramienta en dirección de las manecillas del reloj.

NOTA: La primera vez que se opere la herramienta después de cambiar la dirección de rotación, puede escuchar un clic al encender. Esto es normal y no indica un problema.

Luz de trabajo (Fig. A)

La luz de trabajo **5** se activa cuando se presiona el interruptor de gatillo **1**, y se apagará automáticamente 10 segundos después que se libere el interruptor de gatillo. Si el interruptor de gatillo permanece presionado, la luz de trabajo permanecerá encendida.

NOTA: La luz de trabajo es para iluminar la superficie de trabajo inmediata y no se pretende que se use como una linterna.

Botón de bloqueo de apagado (Fig. A)

Para bloquear la herramienta, deslice el botón de bloqueo de apagado **7** a la posición bloqueada. Cuando el botón de bloqueo de apagado esté en la posición bloqueada, la herramienta está bloqueada y el interruptor de gatillo **1** no se puede.

Uso (Fig. A–E)

▲ ADVERTENCIA: Para reducir el riesgo de lesiones personales serias, apague la unidad y retire el paquete de batería antes de realizar cualquier ajuste o retirar/instalar conexiones o accesorios. Un arranque accidental puede causar lesiones.

▲ ADVERTENCIA: La matraca puede atorarse si se sobrecarga causando un giro repentino. Siempre espere que la herramienta gire. Sujete la matraca firmemente para controlar la acción de giro y evitar posibles lesiones personales.

▲ ATENCIÓN: Asegúrese que el sujetador y/o sistema soporten el nivel de par generado por la herramienta. El par excesivo puede causar la ruptura y posibles lesiones personales.

Par máximo aplicado con herramienta			
Cat #	RPM	Pies-lb.	Nm
CMCF935	0–300	40	54,2
CMCF936	0–300	40	54,2

Par máximo aplicado manualmente			
Cat #	Tamaño de accionador	Pies-lb.	Nm
CMCF935	1/4"	45	61,0
	3/8" y 1/2"	100	135,6
CMCF936	1/4"	45	61,0
	3/8" y 1/2"	100	135,6

1. Instale el yunque del tamaño adecuado **9** o **10** en la herramienta.
 2. Instale el accesorio apropiado sobre el yunque.
 3. Coloque el accesorio en la cabeza del sujetador. Mantenga la herramienta apuntada de forma recta en el sujetador.
 4. Considere la operación pretendida y seleccione la rotación de avance o reversa.
 5. Presione el interruptor de gatillo de velocidad variable **1** para comenzar la operación.
 6. Libere el interruptor de gatillo de velocidad variable **1** para detener la operación.
 7. Si la matraca se atasca, la herramienta está sobrecargada o se está utilizando inadecuadamente. Libere el interruptor de gatillo de velocidad variable **1** de inmediato. No presione el interruptor de gatillo de velocidad variable **1** para encender y apagar para intentar arrancar una matraca atascada. Hacerlo puede dañar la herramienta.
 8. La matraca también se puede usar manualmente para comenzar sujetadores difíciles o ajustar al liberar el gatillo y aplicar el par a mano.
 9. Apague la unidad y asegúrese que el botón de bloqueo **7** esté en la posición bloqueada o retire la batería antes de usarla manualmente y aplicar el torque con la mano.
- NOTA:** Un par de apriete aplicado manualmente en exceso puede dañar los yunques intercambiables **9** o **10** si excede el límite de par de apriete.

MANTENIMIENTO

▲ ADVERTENCIA: Para reducir el riesgo de lesiones personales serias, apague la unidad y retire el paquete de batería antes de realizar cualquier ajuste o retirar/instalar conexiones o accesorios o antes de la limpieza. Un arranque accidental puede causar lesiones.

Su herramienta CRAFTSMAN ha sido diseñada para funcionar durante un largo período de tiempo con un mínimo de mantenimiento. La operación satisfactoria continua depende del cuidado adecuado de la herramienta y la limpieza regular.

Limpieza

- ▲ ADVERTENCIA:** Sople la suciedad y el polvo de todos los conductos de ventilación con aire seco, al menos una vez por semana. Para reducir el riesgo de lesiones, utilice siempre protección para los ojos aprobada ANSI Z87.1 al realizar esta tarea.
- ▲ ADVERTENCIA:** Nunca utilice solventes ni otros químicos abrasivos para limpiar las piezas no metálicas de la herramienta. Estos productos químicos pueden debilitar los

materiales plásticos utilizados en estas piezas. Utilice un paño humedecido sólo con agua y jabón neutro. Nunca permita que penetre líquido dentro de la herramienta ni sumerja ninguna de las piezas en un líquido.

Accesorios

▲ ADVERTENCIA: Ya que los accesorios, diferentes a los ofrecidos por CRAFTSMAN, no han sido probados con este producto, el uso de tales accesorios con esta herramienta podría ser peligroso. Para reducir el riesgo de lesiones, sólo se deben usar accesorios recomendados por CRAFTSMAN con este producto.

Los accesorios recomendados para uso con su herramienta están disponibles por un costo adicional a partir de su distribuidor local o centro de servicio autorizado. Si necesita asistencia para localizar cualquier accesorio, póngase en contacto con CRAFTSMAN. Llame al **1-888-331-4569**.

VersaTrack™ (Fig. A, G) (Se vende por separado)

▲ ADVERTENCIA: Para reducir el riesgo de lesiones personales serias, apague la unidad y retire el paquete de batería antes de realizar cualquier ajuste o retirar/instalar conexiones o accesorios. Un arranque accidental puede causar lesiones.

▲ ADVERTENCIA: Para reducir el riesgo de lesiones personales graves, no use un gancho VersaTrack™ para colgar o Trackwall de VersaTrack™. Un gancho para colgar VersaTrack™ dañado o Trackwall de VersaTrack™ no soportarán el peso de la herramienta.

▲ ADVERTENCIA: Para reducir el riesgo de lesiones personales serias, asegúrese que el tornillo que sujeta el gancho para colgar VersaTrack™ esté apretado firmemente.

▲ ADVERTENCIA: Para reducir el riesgo de lesiones personales graves, NO suspenda la herramienta por encima ni cuelgue objetos del gancho para colgar. SÓLO suspenda la herramienta en el Trackwall de VersaTrack™ con el gancho para colgar.

▲ ADVERTENCIA: El gancho de colgar VersaTrack™ no es un gancho de cinturón.

▲ ADVERTENCIA: Asegúrese que el peso de la herramienta no exceda el peso máximo nominal de 20 lbs (9 kg) para el gancho VersaTrack™ seleccionado.

▲ ADVERTENCIA: Cuando cuelgue objetos en el Trackwall de VersaTrack™, espacie adecuadamente las herramientas para no exceder 75 lbs (35 kg) por pie lineal.

IMPORTANTE: Cuando conecte el gancho para colgar VersaTrack™, sólo use el tornillo incluido. Asegúrese de apretar bien el tornillo. Los accesorios VersaTrack™ se instalan en herramientas compatibles de forma segura en el sistema Trackwall de VersaTrack™.

▲ ATENCIÓN: Cualquier producto con dientes de corte expuestos debe tenerlos cubiertos de forma segura si va a estar en el Trackwall de VersaTrack™.

1. Apague la herramienta, retire el paquete de batería y los accesorios.
2. Sujete el gancho para colgar **13** en la herramienta.
 - a. Coloque el gancho para colgar VersaTrack™ en la ubicación de montaje **12** en la parte trasera de la herramienta.
 - b. Use un destornillador para asegurar el gancho de colgar con el tornillo provisto **14**. No use ningún otro tornillo para esto.

NOTA: Los accesorios VersaTrack™ para uso con su herramienta están disponibles por un costo adicional a partir de su distribuidor local o centro de servicio autorizado. Si necesita asistencia para localizar cualquier accesorio, por favor póngase en contacto con CRAFTSMAN. Llame al **1-888-331-4569**.

Gancho de cinturón (Fig. A, H) (Se vende por separado)

▲ ADVERTENCIA: Para reducir el riesgo de lesiones personales graves, coloque el botón de bloqueo en apagado del gatillo en la posición de bloqueo en apagado o apague la herramienta y desconecte el paquete de batería antes de realizar cualquier ajuste o retirar/instalar conexiones o accesorios. Un arranque accidental puede causar lesiones.

▲ ADVERTENCIA: Para reducir el riesgo de lesiones personales serias, SÓLO use el gancho de cinturón de la herramienta para colgar la herramienta de un cinturón de trabajo. NO use el gancho de cinturón para anclar o asegurar la herramienta a una persona u objeto durante el uso. NO suspenda la herramienta por arriba de su cabeza o suspenda objetos del gancho del cinturón.

▲ ADVERTENCIA: Para reducir el riesgo de lesiones personales serias, asegúrese que el tornillo que sujeta el gancho de cinturón esté seguro.

IMPORTANTE: Cuando conecte o reemplace el gancho del cinturón, sólo use el tornillo incluido. Asegúrese de apretar firmemente el tornillo.

1. Apague la herramienta, retire el paquete de batería y los accesorios.
2. Conecte el gancho de cinturón **15** en la herramienta.
 - a. Coloque el gancho de cinturón en la ubicación de montaje **12** en la parte trasera de la herramienta.
 - b. Use un destornillador para asegurar el gancho de cinturón con el tornillo incluido **14**. No use ningún otro tornillo para esto. Si el gancho no se desea en absoluto, se puede quitar de la herramienta.

Reparaciones

El cargador y las unidades de batería no pueden ser reparados. El cargador y la unidad de batería no contienen piezas reparables.

▲ ADVERTENCIA: Para asegurar la SEGURIDAD y la CONFIABILIDAD del producto, las reparaciones, el mantenimiento y los ajustes (inclusive la inspección y el cambio de las escobillas, cuando proceda) deben ser realizados en un centro de mantenimiento en la fábrica CRAFTSMAN u en un centro de mantenimiento autorizado CRAFTSMAN. Utilice siempre piezas de repuesto idénticas.

Para reparación y servicio de sus herramientas eléctricas, favor de dirigirse al Centro de Servicio más cercano

CULIACAN, SIN

Bldv. Emiliano Zapata 5400-1 Poniente Col. (667) 717 89 99 San Rafael

GUADALAJARA, JAL

Av. La Paz #1779 - Col. Americana Sector Juárez (33) 3825 6978

MEXICO, D.F.

Eje Central Lázaro Cárdenas No. 18 - Local (55) 5588 9377 D, Col. Obrera

MERIDA, YUC

Calle 63 #459-A - Col. Centro (999) 928 5038

MONTERREY, N.L.

Av. Francisco I. Madero 831 Poniente - Col. Centro (818) 375 23 13

PUEBLA, PUE

17 Norte #205 - Col. Centro (222) 246 3714

QUERETARO, QRO

Av. San Roque 274 - Col. San Gregorio (442) 2 17 63 14

SAN LUIS POTOSI, SLP

Av. Universidad 1525 - Col. San Luis (444) 814 2383

TORREON, COAH

Bldv. Independencia, 96 Pte. - Col. Centro (871) 716 5265

VERACRUZ, VER

Prolongación Díaz Mirón #4280 - Col. Remes (229) 921 7016

VILLAHERMOSA, TAB

Constitución 516-A - Col. Centro (993) 312 5111

PARA OTRAS LOCALIDADES:

Si se encuentra en México, por favor llame al (55) 5326 7100

Si se encuentra en U.S., por favor llame al 1-888-331-4569

Póliza de Garantía

IDENTIFICACIÓN DEL PRODUCTO:

Sello o firma del Distribuidor.

Nombre del producto: _____

Mod./Cat.: _____

Marca: _____

Núm. de serie: _____

(Datos para ser llenados por el distribuidor)

Fecha de compra y/o entrega del producto:

Nombre y domicilio del distribuidor donde se adquirió el producto:

Este producto está garantizado por un año a partir de la fecha de entrega, contra cualquier defecto en su funcionamiento, así como en materiales y mano de obra empleados para su fabricación. Nuestra garantía incluye la reparación o reposición del producto y/o componentes sin cargo alguno para el cliente, incluyendo mano de obra, así como los gastos de transportación razonablemente erogados derivados del cumplimiento de este certificado.

Para hacer efectiva esta garantía deberá presentar su herramienta y esta póliza sellada por el establecimiento comercial donde se adquirió el producto, de no contar con ésta, bastará la factura de compra.

Excepciones

Esta garantía no será válida en los siguientes casos:

- Cuando el producto se hubiese utilizado en condiciones distintas a las normales;
- Cuando el producto no hubiese sido operado de acuerdo con el instructivo de uso que se acompaña;

- Cuando el producto hubiese sido alterado o reparado por personas distintas a las enlistadas al final de este certificado. Anexo encontrará una relación de sucursales de servicio de fábrica, centros de servicio autorizados y franquiciados en la República Mexicana, donde podrá hacer efectiva su garantía y adquirir partes, refacciones y accesorios originales.

Solamente para propósito de México:
 Importado por: CRAFTSMAN S.A de C.V.
 Antonio Dovali Jaime #70 Torre C Piso 8
 Col. Santa Fe Alvaro Obregon,
 Ciudad de Mexico, Mexico.
 C.P 01210
 TEL(52) 55 53267100
 R.F.C.BDE8106261W7

Divulgación de Quebec

No garantizamos la disponibilidad de partes de repuesto, servicios de reparación ni la información necesaria para mantener o reparar productos sujetos a la Ley de Protección al Consumidor de Quebec, modificada por el Proyecto de Ley 29.

Registro en Línea

Gracias por su compra. Registre su producto ahora para:

- **SERVICIO EN GARANTÍA:** Si completa esta tarjeta, podrá obtener un servicio en garantía más eficiente, en caso de que exista un problema con su producto.
- **CONFIRMACIÓN DE PROPIEDAD:** En caso de una pérdida que cubra el seguro, como un incendio, una inundación o un robo, el registro de propiedad servirá como comprobante de compra.
- **PARA SU SEGURIDAD:** Si registra el producto, podremos comunicarnos con usted en el caso improbable que se deba enviar una notificación de seguridad conforme a la Federal Consumer Safety Act (Ley Federal de Seguridad de Productos para el Consumidor).

Registro en línea en www.craftsman.com/account/login.

Garantía Limitada de Tres Años

Para los términos de garantía, visite www.craftsman.com/pages/warranty.

Para solicitar una copa escrita de los términos de garantía, póngase en contacto con: Servicio al cliente en CRAFTSMAN, 701 East Joppa Road, Towson, MD 21286 o llame al **1-888-331-4569**.

AMÉRICA LATINA: Esta garantía no aplica a productos vendidos en América Latina. Para productos vendidos en América Latina, consulte la información de garantía específica contenida en el empaque, llame a la compañía local o consulte la página de Internet respecto a la información de garantía.

REEMPLAZO GRATUITO DE ETIQUETA DE GARANTÍA:

Si sus etiquetas de advertencia se vuelven ilegibles o faltan, llame al **1-888-331-4569** para reemplazo gratuito.

CRAFTSMAN

Compatible battery packs and chargers / Blocs-piles et chargeurs compatibles / Baterías y cargadores compatibles

20V Max* Li-Ion	Battery Packs	
	Blocs-piles	CMCB201, CMCB202, CMCB204, CMCB2015, CMCB205, CMCB206, CMCB209, CMCB2011
	Baterías	
	Chargers	
	Chargeurs	CMCB100, CMCB101, CMCB102, CMCB104, CMCB1104, CMCB124
	Cargadores	

* Maximum initial battery voltage (measured without a workload) is 20 volts. Nominal voltage is 18.

* La tension initiale maximum du bloc-piles (mesurée à vide) est de 20 volts. La tension nominale est de 18.

* El máximo voltaje inicial de la batería (medido sin carga de trabajo) es 20 voltios. El voltaje nominal es de 18.

▲ WARNING: Use of any other battery packs may create a risk of injury and fire.

▲ AVERTISSEMENT : utiliser d'autres blocs-piles peut créer un risque de blessure ou d'incendie.

▲ ADVERTENCIA: El uso de cualquier otro paquete de batería puede crear un riesgo de lesiones e incendio.

NOTE: DO NOT charge when the battery pack is below 40 ° F (4.5 ° C) or above 104 ° F (40 ° C). Do not store or use the tool and battery pack in locations where the temperature may reach or exceed 104 ° F (40 ° C).

REMARQUE : NE PAS charger lorsque le bloc-piles est en dessous de 4,5 ° C (40 ° F) ou au-dessus de 40 ° C (104 ° F). Ne pas entreposer ou utiliser l'outil et le bloc-piles dans des endroits où la température peut atteindre ou excéder 40 ° C (104 ° F).

NOTA: NO cargue cuando el paquete de batería esté debajo de 4,5 ° C (40 ° F), o arriba de 40 ° C (104 ° F). No almacene ni use la herramienta y el paquete de baterías en lugares donde la temperatura pueda alcanzar o exceder los 40 ° C (104 ° F).