

CRAFTSMAN®

INSTRUCTION MANUAL

GUIDE D'UTILISATION

MANUAL DE INSTRUCCIONES

20V Max Cordless Chainsaw **Scie à chaîne sans fil 20 V max** **Sierra de Cadena Inalámbrica de 20 V Máx**

CMCCS610



IF YOU HAVE QUESTIONS OR COMMENTS, CONTACT US.
POUR TOUTE QUESTION OU TOUT COMMENTAIRE, NOUS CONTACTER.
SI TIENE DUDAS O COMENTARIOS, CONTACTÉNDOS.

1-888-331-4569

WWW.CRAFTSMAN.COM

English (**original instructions**)

5

Français (*traduction de la notice d'instructions originale*)

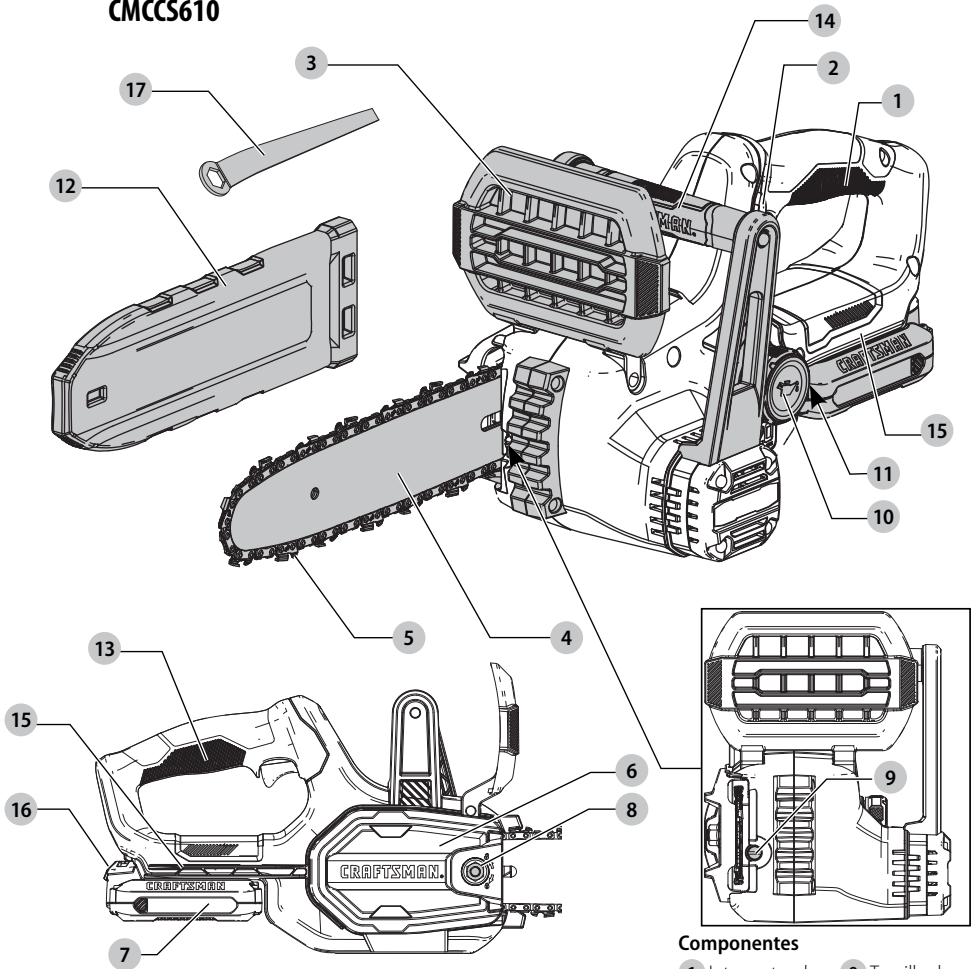
17

Español (*traducido de las instrucciones originales*)

31

Fig. A

CMCCS610



Components

- 1 ON/OFF trigger switch
- 2 Lock-off lever
- 3 Front hand guard
- 4 Guide bar
- 5 Saw chain
- 6 Sprocket cover
- 7 Battery Pack
- 8 Bar lock nut
- 9 Chain tensioning screw
- 10 Oil cap
- 11 Oil level indicator
- 12 Guide bar scabbard
- 13 Rear handle
- 14 Front handle
- 15 Battery housing
- 16 Battery release button
- 17 Hex wrench

Composants

- 1 Gâchette
- 2 Levier de verrouillage
- 3 Protecteur de la poignée avant
- 4 Guide-chaîne
- 5 Tronçonneuse
- 6 Capot du pignon
- 7 Bloc de batterie
- 8 Écrou de blocage du guide-chaîne
- 9 Vis de tension de la chaîne
- 10 Capuchon de l'huile
- 11 Indicateur du niveau d'huile
- 12 Étui du guide-chaîne
- 13 Poignée arrière
- 14 Poignée avant
- 15 Boîtier du bloc-pile
- 16 Bouton de libération de la pile
- 17 Clé hexagonale

Componentes

- 1 Interruptor de gatillo ON/OFF (Encendido/ Apagado)
- 2 Palanca de bloqueo de apagado
- 3 Protección de mano delantera
- 4 Barra guía
- 5 Cadena de sierra
- 6 Cubierta de rueda dentada
- 7 Paquete de batería
- 8 Tuerca de bloqueo de barra
- 9 Tornillo de tensión de cadena
- 10 Tapa de aceite
- 11 Indicador de nivel de aceite
- 12 Protección de barra guía
- 13 Manija trasera
- 14 Manija delantera
- 15 Alojamiento de batería
- 16 Botón de liberación de batería
- 17 Llave hexagonal

Fig. B

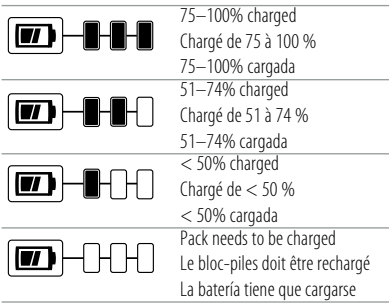


Fig. C

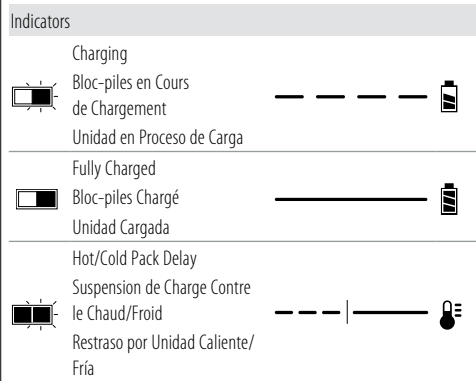


Fig. D

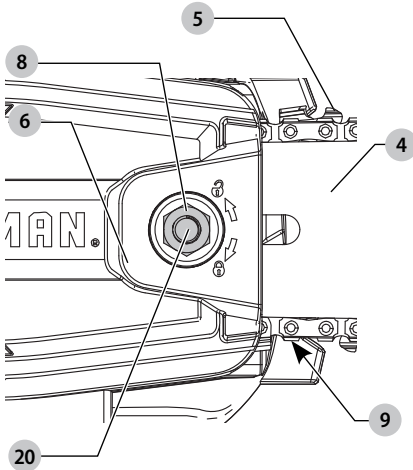


Fig. E

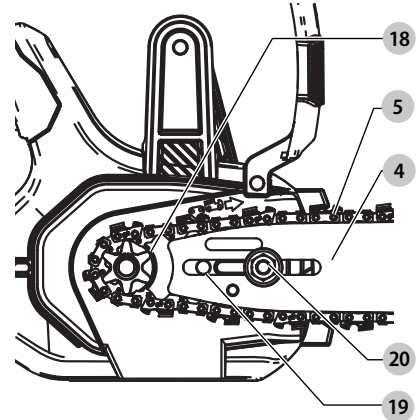


Fig. F

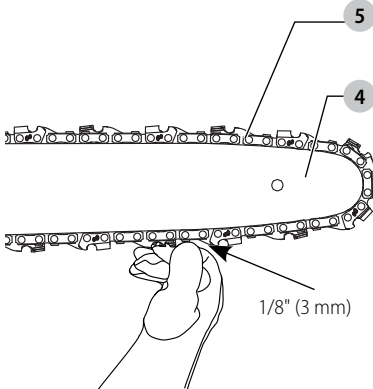


Fig. G

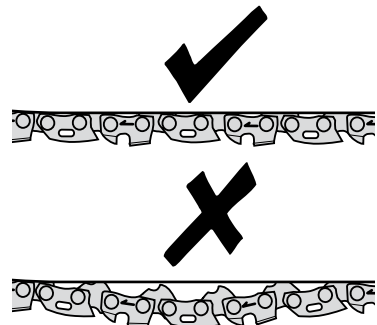


Fig. H

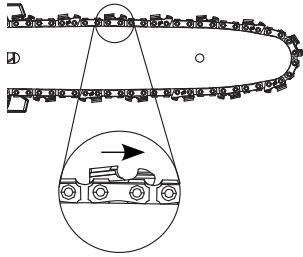


Fig. I

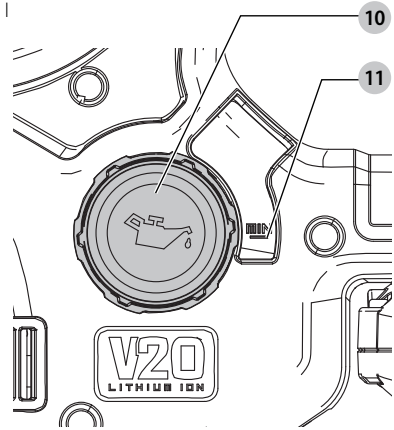


Fig. J

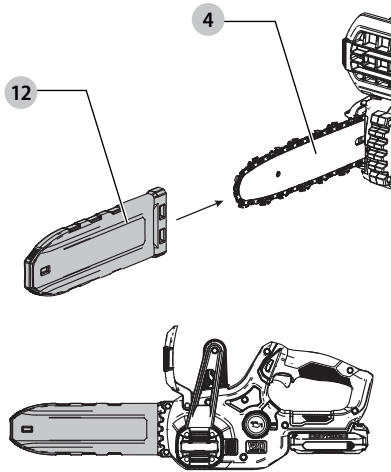


Fig. K

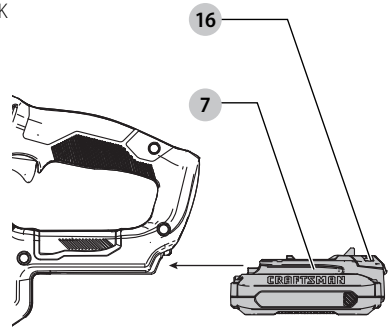


Fig. L

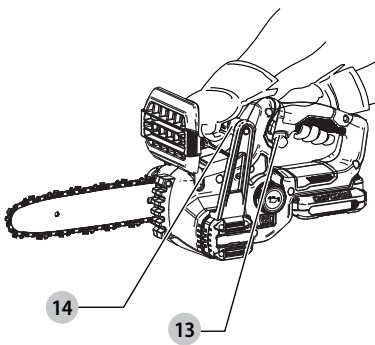


Fig. M

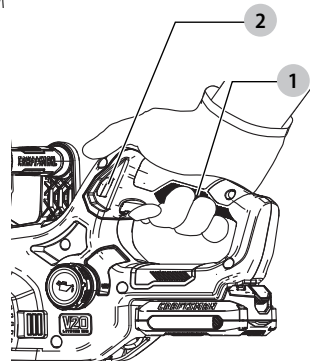


Fig. N

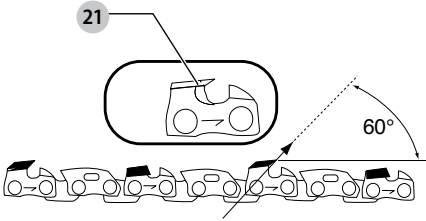


Fig. O

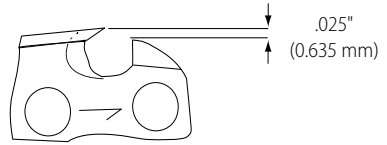


Fig. P

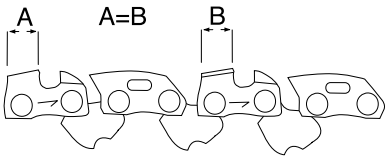
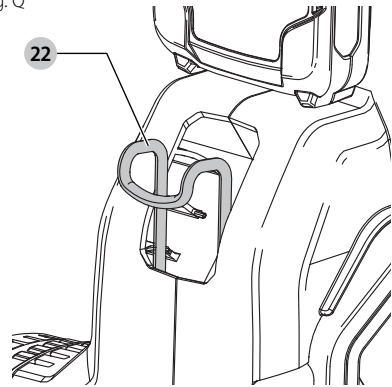




Fig. Q



 **WARNING: Read all safety warnings and all instructions.** Failure to follow the warnings and instructions may result in electric shock, fire and/or serious injury.

 **WARNING:** To reduce the risk of injury, read the instruction manual.

Intended Use

This chainsaw is designed for pruning applications, felling trees and cutting logs up to 8" (203 mm) in diameter.

DO NOT use under wet conditions or in presence of flammable liquids or gases.


This chainsaw is a professional power tool.


DO NOT let children come into contact with the tool.


Supervision is required when inexperienced operators use this tool.

Definitions: Safety Alert Symbols and Words


This instruction manual uses the following safety alert symbols and words to alert you to hazardous situations and your risk of personal injury or property damage.

 **DANGER:** Indicates an imminently hazardous situation which, if not avoided, **will** result in **death or serious injury**.


 **WARNING:** Indicates a potentially hazardous situation which, if not avoided, **could** result in **death or serious injury**.

 **CAUTION:** Indicates a potentially hazardous situation which, if not avoided, **may** result in **minor or moderate injury**.

 (Used without word) Indicates a safety related message.

 **NOTICE:** Indicates a practice **not related to personal injury** which, if not avoided, **may** result in **property damage**.

GENERAL POWER TOOL SAFETY WARNINGS

 **WARNING: Read all safety warnings, instructions, illustrations and specifications provided with this power tool.** Failure to follow all instructions listed below may result in electric shock, fire and/or serious injury.

SAVE ALL WARNINGS AND INSTRUCTIONS FOR FUTURE REFERENCE.

The term "power tool" in the warnings refers to your mains-operated (corded) power tool or battery-operated (cordless) power tool.

1) Work Area Safety

- Keep work area clean and well lit.** Cluttered or dark areas invite accidents.
- Do not operate power tools in explosive atmospheres, such as in the presence of flammable liquids, gases or dust.** Power tools create sparks which may ignite the dust or fumes.
- Keep children and bystanders away while operating a power tool.** Distractions can cause you to lose control.

2) Electrical Safety

- Power tool plugs must match the outlet. Never modify the plug in any way. Do not use any adapter plugs with earthed (grounded) power tools.** Unmodified plugs and matching outlets will reduce risk of electric shock.
- Avoid body contact with earthed or grounded surfaces, such as pipes, radiators, ranges and refrigerators.** There is an increased risk of electric shock if your body is earthed or grounded.
- Do not expose power tools to rain or wet conditions.** Water entering a power tool will increase the risk of electric shock.
- Do not abuse the cord. Never use the cord for carrying, pulling or unplugging the power tool. Keep cord away from heat, oil, sharp edges or moving parts.** Damaged or entangled cords increase the risk of electric shock.
- When operating a power tool outdoors, use an extension cord suitable for outdoor use.** Use of a cord suitable for outdoor use reduces the risk of electric shock.
- If operating a power tool in a damp location is unavoidable, use a ground fault circuit interrupter (GFCI) protected supply.** Use of a GFCI reduces the risk of electric shock.

3) Personal Safety

- Stay alert, watch what you are doing and use common sense when operating a power tool. Do not use a power tool while you are tired or under the influence of drugs, alcohol or medication.** A moment of inattention while operating power tools may result in serious personal injury.
- Use personal protective equipment. Always wear eye protection.** Protective equipment such as a dust mask, non-skid safety shoes, hard hat, or hearing protection used for appropriate conditions will reduce personal injuries.
- Prevent unintentional starting. Ensure the switch is in the off-position before connecting to power source and/or battery pack, picking up or carrying the tool.** Carrying power tools with your finger on the switch or energizing power tools that have the switch on invites accidents.
- Remove any adjusting key or wrench before turning the power tool on.** A wrench or a key left attached to a rotating part of the power tool may result in personal injury.
- Do not overreach. Keep proper footing and balance at all times.** This enables better control of the power tool in unexpected situations.
- Dress properly. Do not wear loose clothing or jewelry. Keep your hair, clothing and gloves away from moving parts.** Loose clothes, jewelry or long hair can be caught in moving parts.
- If devices are provided for the connection of dust extraction and collection facilities, ensure these are connected and properly used.** Use of dust collection can reduce dust-related hazards.

- h) **Do not let familiarity gained from frequent use of tools allow you to become complacent and ignore tool safety principles.** A careless action can cause severe injury within a fraction of a second.

4) Power Tool Use and Care

- a) **Do not force the power tool. Use the correct power tool for your application.** The correct power tool will do the job better and safer at the rate for which it was designed.
- b) **Do not use the power tool if the switch does not turn it on and off.** Any power tool that cannot be controlled with the switch is dangerous and must be repaired.
- c) **Disconnect the plug from the power source and/or remove the battery pack, if detachable, from the power tool before making any adjustments, changing accessories, or storing power tools.** Such preventive safety measures reduce the risk of starting the power tool accidentally.
- d) **Store idle power tools out of the reach of children and do not allow persons unfamiliar with the power tool or these instructions to operate the power tool.** Power tools are dangerous in the hands of untrained users.
- e) **Maintain power tools and accessories. Check for misalignment or binding of moving parts, breakage of parts and any other condition that may affect the power tool's operation. If damaged, have the power tool repaired before use.** Many accidents are caused by poorly maintained power tools.
- f) **Keep cutting tools sharp and clean.** Properly maintained cutting tools with sharp cutting edges are less likely to bind and are easier to control.
- g) **Use the power tool, accessories and tool bits etc. in accordance with these instructions, taking into account the working conditions and the work to be performed.** Use of the power tool for operations different from those intended could result in a hazardous situation.
- h) **Keep handles and grasping surfaces dry, clean and free from oil and grease.** Slippery handles and grasping surfaces do not allow for safe handling and control of the tool in unexpected situations.

5) Battery Tool Use and Care

- a) **Recharge only with the charger specified by the manufacturer.** A charger that is suitable for one type of battery pack may create a risk of fire when used with another battery pack.
- b) **Use power tools only with specifically designated battery packs.** Use of any other battery packs may create a risk of injury and fire.
- c) **When battery pack is not in use, keep it away from other metal objects, like paper clips, coins, keys, nails, screws or other small metal objects, that can make a connection from one terminal to another.** Shorting the battery terminals together may cause burns or a fire.

- d) **Under abusive conditions, liquid may be ejected from the battery; avoid contact. If contact accidentally occurs, flush with water. If liquid contacts eyes, additionally seek medical help.** Liquid ejected from the battery may cause irritation or burns.
- e) **Do not use a battery pack or tool that is damaged or modified.** Damaged or modified batteries may exhibit unpredictable behavior resulting in fire, explosion or risk of injury.
- f) **Do not expose a battery pack or tool to fire or excessive temperature.** Exposure to fire or temperature above 265 °F (130 °C) may cause explosion.
- g) **Follow all charging instructions and do not charge the battery pack or tool outside the temperature range specified in the instructions.** Charging improperly or at temperatures outside the specified range may damage the battery and increase the risk of fire.

6) Service

- a) **Have your power tool serviced by a qualified repair person using only identical replacement parts.** This will ensure that the safety of the power tool is maintained.
- b) **Never service damaged battery packs.** Service of battery packs should only be performed by the manufacturer or authorized service providers.

General Chain saw Safety Warnings



WARNING: Additional safety warnings for chainsaws.

- a) **Keep all parts of the body away from the saw chain when the chain saw is operating. Before you start the chain saw, make sure the saw chain is not contacting anything.** A moment of inattention while operating chain saws may cause entanglement of your clothing or body with the saw chain.
- b) **Always hold the chain saw with your right hand on the rear handle and your left hand on the front handle.** Holding the chain saw with a reversed hand configuration increases the risk of personal injury and should never be done.
- c) **Hold the power tool by insulated gripping surfaces only, because the saw chain may contact hidden wiring.** Saw chains contacting a "live" wire may make exposed metal parts of the power tool "live" and could give the operator an electric shock.
- d) **Wear eye protection. Further protective equipment for hearing, head, hands, legs and feet is recommended.** Adequate protective equipment will reduce personal injury from flying debris or accidental contact with the saw chain.
- e) **Do not operate a chain saw in a tree, on a ladder, from a rooftop, or any unstable support.** Operation of a chain saw in this manner could result in serious personal injury.

- f) **Always keep proper footing and operate the chain saw only when standing on fixed, secure and level surface.** Slippery or unstable surfaces may cause a loss of balance or control of the chain saw.
 - g) **When cutting a limb that is under tension, be alert for spring back.** When the tension in the wood fibers is released, the spring loaded limb may strike the operator and/or throw the chain saw out of control.
 - h) **Use extreme caution when cutting brush and saplings.** The slender material may catch the saw chain and be whipped toward you or pull you off balance.
 - i) **Carry the chain saw by the front handle with the chain saw switched off and away from your body. When transporting or storing the chain saw always fit the guide bar scabbard.** Proper handling of the chain saw will reduce the likelihood of accidental contact with the moving saw chain.
 - j) **Follow instructions for lubricating, chain tensioning and changing the bar and chain.** Improperly tensioned or lubricated chain may either break or increase the chance for kickback.
 - k) **Cut wood only. Do not use chain saw for purposes not intended. For example: do not use chain saw for cutting plastic, masonry or non-wood building materials.** Use of the chain saw for operations different than intended could result in a hazardous situation.
 - l) **Do not attempt to fell a tree until you have an understanding of the risks and how to avoid them.** Serious injury could occur to the operator or bystanders while felling a tree.
- proper precautions are taken.** Do not let go of the chain saw.
- b) **Do not overreach and do not cut above shoulder height.** This helps prevent unintended tip contact and enables better control of the chain saw in unexpected situations.
 - c) **Only use replacement bars and chains specified by the manufacturer.** Incorrect replacement bars and chains may cause chain breakage and/or kickback.
 - d) **Follow the manufacturer's sharpening and maintenance instructions for the saw chain.** Decreasing the depth gauge height can lead to increased kickback.

The Following Precautions Should Be Followed to Minimize Kickback:

1. **Grip saw firmly. Hold the chain saw firmly with both hands when the motor is running. Use a firm grip with thumbs and fingers encircling the chain saw handles.** Chain saw will pull forward when cutting on the bottom edge of the bar, and push backward when cutting along the top edge of the bar.
2. **Do not over reach.**
3. **Keep proper footing and balance at all times.**
4. **Don't let the nose of the guide bar contact a log, branch, ground or other obstruction.**
5. **Don't cut above shoulder height.**
6. **Use devices such as low kickback chain and reduced kickback guide bars that reduce the risks associated with kickback.**
7. **Only use replacement bars and chains specified by the manufacturer or the equivalent.**
8. **Never let the moving chain contact any object at the tip of the guide bar.**
9. **Keep the working area free from obstructions such as other trees, branches, rocks, fences, stumps, etc.** Eliminate or avoid any obstruction that your saw chain could hit while you are cutting through a particular log or branch.
10. **Keep your saw chain sharp and properly tensioned. A loose or dull chain can increase the chance of kickback.** Check tension at regular intervals with the motor stopped and tool unplugged, never with the motor running.
11. **Begin and continue cutting only with the chain moving at full speed.** If the chain is moving at a slower speed, there is a greater chance for kickback to occur.
12. **Cut one log at a time.**
13. **Use extreme caution when re-entering a previous cut.** Engage ribbed bumpers into wood and allow chain to reach full speed before proceeding with cut.
14. **Do not attempt plunge cuts or bore cuts.**
15. **Watch for shifting logs or other forces that could close a cut and pinch or fall into chain.**

Causes and Operator Prevention of Kickback:

Kickback may occur when the nose or tip of the guide bar touches an object, or when the wood closes in and pinches the saw chain in the cut.

Tip contact in some cases may cause a sudden reverse reaction, kicking the guide bar up and back towards the operator.

Pinching the saw chain along the top of the guide bar may push the guide bar rapidly back towards the operator.

Either of these reactions may cause you to lose control of the saw which could result in serious personal injury. Do not rely exclusively upon the safety devices built into your saw. As a chain saw user, you should take several steps to keep your cutting jobs free from accident or injury.

Kickback is the result of tool misuse and/or incorrect operating procedures or conditions and can be avoided by taking proper precautions as given below:

- a) **Maintain a firm grip, with thumbs and fingers encircling the chain saw handles, with both hands on the saw and position your body and arm to allow you to resist kickback forces. Kickback forces can be controlled by the operator, if**

Kickback Safety Features



WARNING: The following features are included on your saw to help reduce the hazard of kickback; however such features will not totally eliminate this dangerous reaction. As a chain saw user do not rely only on safety devices. You must follow all safety precautions, instructions, and maintenance in this manual to help avoid kickback and other forces which can result in serious injury.

- **Reduced-Kickback Guide Bar**, designed with a small radius tip which reduces the size of the kickback danger zone on bar tip. A reduced - kickback guide bar is one which has been demonstrated to significantly reduce the number and seriousness of kickbacks when tested in accordance with safety requirements for electric chain saws.
- **Low-Kickback Chain**, designed with a contoured depth gauge and guard link which deflect kickback force and allow wood to gradually ride into the cutter. A low-kickback chain is a chain which has met kickback performance requirements of ANSI B175.1–2012.
- Do not operate chain saw while in a tree, on a ladder, on a scaffold, or from any unstable surface.
- Hold tool by insulated gripping surfaces when performing an operation where the cutting tool may contact hidden wiring. Contact with a “live” wire will make exposed metal parts of the tool “live” and shock the operator.
- Do not attempt operations beyond your capacity or experience. Read thoroughly and understand completely all instructions in this manual.
- Before you start chain saw, make sure saw chain is not contacting any object.
- Do not operate a chain saw with one hand! Serious injury to the operator, helpers, or bystanders may result from one handed operation. A chain saw is intended for two-handed use only.
- Keep the handles dry, clean, and free of oil or grease.
- Do not allow dirt, debris, or sawdust to build up on the motor or outside air vents.
- Stop the chain saw before setting it down.
- Do not cut vines and/or small under brush.
- Use extreme caution when cutting small size brush and saplings because slender material may catch the saw chain and be whipped toward you or pull you off balance.

Chainsaw Names and Terms

- **Bucking** - The process of cross cutting a felled tree or log into lengths.
- **Motor Brake (if equipped)** - A device used to stop the saw chain when the trigger is released.
- **Chain Saw Powerhead** - A chain saw without the saw chain and guide bar.
- **Drive Sprocket or Sprocket** - The toothed part that drives the saw chain.
- **Felling** - The process of cutting down a tree.
- **Felling Back Cut** - The final cut in a tree felling operation made on the opposite side of the tree from the notching cut.

- **Front Handle** - The support handle located at or toward the front of the chain saw.
- **Front Hand Guard** - A structural barrier between the front handle of a chain saw and the guide bar, typically located close to the hand position on the front handle.
- **Guide Bar** - A solid railed structure that supports and guides the saw chain.
- **Scabbard/Guide Bar Cover** - Enclosure fitted over guide bar to help prevent tooth contact when saw is not in use.
- **Kickback** - The backward or upward motion, or both of the guide bar occurring when the saw chain near the nose of the top area of the guide bar contacts any object such as a log or branch, or when the wood closes in and pinches the saw chain in the cut.
- **Kickback, Pinch** - The rapid pushback of the saw which can occur when the wood closes in and pinches the moving saw chain in the cut along the top of the guide bar.
- **Kickback, Rotational** - The rapid upward and backward motion of the saw which can occur when the moving saw chain near the upper portion of the tip of the guide bar contacts an object, such as a log or branch.
- **Limbing** - Removing the branches from a fallen tree.
- **Low-Kickback Chain** - A chain that complies with the kickback performance requirements of ANSI B175.1–2012 (when tested on a representative sample of chain saws.)
- **Normal Cutting Position** - Those positions assumed in performing the bucking and felling cuts.
- **Notching Undercut** - A notch cut in a tree that directs the tree's fall.
- **Rear Handle** - The support handle located at or toward the rear of the saw.
- **Reduced Kickback Guide Bar** - A guide bar which has been demonstrated to reduce kickback significantly.
- **Replacement Saw Chain** - A chain that complies with kickback performance requirements of ANSI B175.1–2012 when tested with specific chain saws. It may not meet the ANSI performance requirements when used with other saws.
- **Saw Chain** - A loop of chain having cutting teeth, that cut the wood, and that is driven by the motor and is supported by the guide bar.
- **Ribbed Bumper** - The ribs used when felling or bucking to pivot the saw and maintain position while sawing.
- **Switch** - A device that when operated will complete or interrupt an electrical power circuit to the motor of the chain saw.
- **Switch Linkage** - The mechanism that transmits motion from a trigger to the switch.
- **Switch Lockout** - A movable stop that prevents the unintentional operation of the switch until manually actuated.

Additional Safety Information



WARNING: Never modify the power tool or any part of it. Damage or personal injury could result.

WARNING: ALWAYS use safety glasses. Everyday eyeglasses are NOT safety glasses. Also use face or dust mask if operation is dusty. ALWAYS WEAR CERTIFIED SAFETY EQUIPMENT:

- ANSI Z87.1 eye protection (CAN/CSA Z94.3),
- ANSI S12.6 (S3.19) hearing protection,
- NIOSH/OSHA/MSHA respiratory protection.

WARNING: Some dust contains chemicals known to State of California to cause cancer, birth defects or other reproductive harm. Some examples of these chemicals are:

- compounds in fertilizers,
- compounds in insecticides, herbicides and pesticides,
- arsenic and chromium from chemically treated lumber.

To reduce your exposure to these chemicals, wear approved safety equipment such as dust masks that are specially designed to filter out microscopic particles.

WARNING: Use of this tool can generate and/or disperse dust, which may cause serious and permanent respiratory or other injury. Always use NIOSH/OSHA approved respiratory protection appropriate for the dust exposure. Direct particles away from face and body.

WARNING: Always wear proper personal hearing protection that conforms to ANSI S12.6 (S3.19) during use. Under some conditions and duration of use, noise from this product may contribute to hearing loss.

CAUTION: When not in use, place tool on its side on a stable surface where it will not cause a tripping or falling hazard. Some tools with a large battery pack will stand upright but may be easily knocked over.

- **Air vents often cover moving parts and should be avoided.** Loose clothes, jewelry or long hair can be caught in moving parts.

The label on your tool may include the following symbols. The symbols and their definitions are as follows:

V	volts	W	watts
Hz	hertz	~ or AC.....	alternating current
min	minutes	~ or AC/DC.....	alternating or direct current
— — — or DC.....	direct current	□	Class I Construction (grounded)
⊕	Class I Construction (grounded)	□	Class II Construction (double insulated)
.../min.....	per minute	n ₀	no load speed
BPM.....	beats per minute	n	rated speed
IPM.....	impacts per minute	m/s.....	meters per second
RPM.....	revolutions per minute	⊕.....	earthing terminal
sfpm	surface feet per minute	⚠.....	safety alert symbol
SPM.....	strokes per minute	☀.....	Visible radiation
A.....	amperes	⊕.....	Wear respiratory protection

⊕.....	Wear eye protection		backward, which can cause serious injury
⊕.....	Wear hearing protection		
📖.....	Read all documentation	✂.....	Contact of the guide bar tip with any object should be avoided
CSPM.....	Cut strokes per minute	↻.....	Rotational direction of the saw chain
☔.....	Do not leave in rain	✂✂.....	Always use two hands when operating the chainsaw
⚠.....	Tip contact can cause the guide bar to move suddenly upward and		

BATTERIES AND CHARGERS

The battery pack is not fully charged out of the carton. Before using the battery pack and charger, read the safety instructions below and then follow charging procedures outlined. When ordering replacement battery packs, be sure to include the catalog number and voltage.

READ ALL INSTRUCTIONS

Important Safety Instructions for All Battery Packs

WARNING: Read all safety warnings, instructions, and cautionary markings for the battery pack, charger and product. Failure to follow the warnings and instructions may result in electric shock, fire and/or serious injury.

- **Do not charge or use the battery pack in explosive atmospheres, such as in the presence of flammable liquids, gases or dust.** Inserting or removing the battery pack from the charger may ignite the dust or fumes.
- **NEVER force the battery pack into the charger. DO NOT modify the battery pack in any way to fit into a non-compatible charger as battery pack may rupture causing serious personal injury.** Consult the chart at the end of this manual for compatibility of batteries and chargers.
- **Charge the battery packs only in CRAFTSMAN chargers.**
- **DO NOT splash or immerse in water or other liquids.**
- **DO NOT allow water or any liquid to enter battery pack.**
- **Do not store or use the tool and battery pack in locations where the temperature may reach or exceed 104 °F (40 °C) (such as outside sheds or metal buildings in summer).** For best life store battery packs in a cool, dry location.
NOTE: Do not store the battery packs in a tool with the trigger switch locked on. Never tape the trigger switch in the ON position.
- **Do not incinerate the battery pack even if it is severely damaged or is completely worn out.** The battery pack can explode in a fire. Toxic fumes and materials are created when lithium-ion battery packs are burned.
- **Do not expose a battery pack or appliance to fire or excessive temperature.** Exposure to fire or temperature above 265 °F (130 °C) may cause explosion.

ENGLISH

- **Follow all charging instructions and do not charge the battery pack or appliance outside of the temperature range specified in the instructions.** Charging improperly or at temperatures outside of the specified range may damage the battery and increase the risk of fire.
- **If battery contents come into contact with the skin, immediately wash area with mild soap and water.** If battery liquid gets into the eye, rinse water over the open eye for 15 minutes or until irritation ceases. If medical attention is needed, the battery electrolyte is composed of a mixture of liquid organic carbonates and lithium salts.
- **Contents of opened battery cells may cause respiratory irritation.** Provide fresh air. If symptoms persist, seek medical attention.
- **Battery liquid may be flammable if exposed to spark or flame.**
- **Never attempt to open the battery pack for any reason. If the battery pack case is cracked or damaged, do not insert into the charger.** Do not crush, drop or damage the battery pack. Do not use a battery pack or charger that has received a sharp blow, been dropped, run over or damaged in any way (e.g., pierced with a nail, hit with a hammer, stepped on). Damaged battery packs should be returned to the service center for recycling.

Storage Recommendations

The best storage place is one that is cool and dry, away from direct sunlight and excess heat or cold. Store the fully charged battery pack out of the charger.

Battery Pack Cleaning Instructions

Dirt and grease may be removed from the exterior of the battery pack using a cloth or soft non-metallic brush. Do not use water or any cleaning solutions.

Fuel Gauge Battery Packs (Fig. B)

Some battery packs include a fuel gauge. When the fuel gauge button is pressed and held, the LED lights will indicate the approximate level of charge remaining. This does not indicate tool functionality and is subject to variation based on product components, temperature, and end-user application.

Transportation



WARNING: Fire hazard. Do not store, carry, or transport the battery pack so that metal objects can contact exposed battery terminals. For example, do not place the battery pack in aprons, pockets, tool boxes, product kit boxes, drawers, etc., with loose nails, screws, keys, coins, hand tools, etc. When transporting individual battery packs, make sure that the battery terminals are protected and well insulated from materials that could contact them and cause a short circuit. **NOTE:** Li-ion battery packs should not be put in checked baggage on airplanes and must be properly protected from short circuits if they are in carry-on baggage.

The RBRC® Seal

Please take your spent battery packs to an authorized service center or to your local retailer for recycling. In some areas, it is illegal to place spent battery packs in the trash. You may also contact your local recycling center for information on where to drop off the spent battery pack. Do not place in curbside recycling. For more information visit www.call2recycle.org. or call the toll free number in the RBRC® Seal.

RBRC® is a registered trademark of Call 2 Recycle, Inc.



Important Safety Instructions for All Battery Chargers



WARNING: Read all safety warnings, instructions, and cautionary markings for the battery pack, charger and product. Failure to follow the warnings and instructions may result in electric shock, fire and/or serious injury.

- **DO NOT attempt to charge the battery pack with any chargers other than a CRAFTSMAN charger.** CRAFTSMAN chargers and battery packs are specifically designed to work together.
- **These chargers are not intended for any uses other than charging CRAFTSMAN rechargeable battery packs.** Charging other types of battery packs may cause them to overheat and burst, resulting in personal injury, property damage, fire, electric shock or electrocution.
- **Do not expose the charger to rain or snow.**
- **Do not allow water or any liquid to enter charger.**
- **Pull by the plug rather than the cord when disconnecting the charger.** This will reduce the risk of damage to the electric plug and cord.
- **Make sure that the cord is located so that it will not be stepped on, tripped over or otherwise subjected to damage or stress.**
- **Do not use an extension cord unless it is absolutely necessary.** Use of improper extension cord could result in risk of fire, electric shock or electrocution.
- **When operating a charger outdoors, always provide a dry location and use an extension cord suitable for outdoor use.** Use of a cord suitable for outdoor use reduces the risk of electric shock.
- **An extension cord must have adequate wire size (AWG or American Wire Gauge) for safety.** The smaller the gauge number of the wire, the heavier the cord and thus the greater its capacity. An undersized cord will cause a drop in line voltage resulting in loss of power and overheating. The following table shows the correct size to use depending on total length of all extension cords plugged together, and nameplate ampere rating. If in doubt, use the next heavier gauge.

Minimum Gauge for Cord Sets

Volts		Total Length of Cord in Feet (meters)			
		25 (7.6)	50 (15.2)	100 (30.5)	150 (45.7)
120V		25 (7.6)	50 (15.2)	100 (30.5)	150 (45.7)
Ampere Rating		American Wire Gauge			
More Than	Not More Than				
0	6	18	16	16	14
6	10	18	16	14	12
10	12	16	16	14	12
12	16	14	12	Not Recommended	

- **Do not place any object on top of the charger or place the charger on a soft surface that might block the ventilation slots and result in excessive internal heat.** Place the charger in a position away from any heat source. The charger is ventilated through slots in the top and the bottom of the housing.
- **Do not operate the charger with a damaged cord or plug.** Have them replaced immediately.
- **Do not operate the charger if it has received a sharp blow, been dropped or otherwise damaged in any way.** Take it to an authorized service center.
- **Do not disassemble the charger; take it to an authorized service center when service or repair is required.** Incorrect reassembly may result in a risk of electric shock, electrocution or fire.
- **The charger is designed to operate on standard 120V household electrical power. Do not attempt to use it on any other voltage.** This does not apply to the vehicular charger.
- **Foreign materials of a conductive nature, such as, but not limited to, grinding dust, metal chips, steel wool, aluminum foil or any buildup of metallic particles should be kept away from the charger cavities and ventilation slots.**
- **Always unplug the charger from the power supply when there is no battery pack in the cavity.**

Charging a Battery (Fig. C)

1. Plug the charger into an appropriate outlet.
2. Insert and fully seat battery pack. Green charging light will continuously blink while charging.
3. Charging is complete when the green charging light remains continuously ON. Battery pack can be left in charger or removed.



WARNING: Only charge batteries in air temperature over 40 degree F(4.5°C) and below 105 degree F (+40.5°C).

4. Charger will not charge a faulty battery pack, which may be indicated by the light staying OFF. Take charger and battery pack to an authorized service center if light stays OFF.

NOTE: Refer to label near charging light on charger for blink patterns.

Hot/Cold Pack Delay

When the charger detects a battery pack that is too hot or too cold, it automatically starts a Hot/Cold Pack Delay, suspending charging until the battery pack has reached an

appropriate temperature. The charger then automatically switches to the pack charging mode. This feature ensures maximum battery pack life.

A cold battery pack may charge at a slower rate than a warm battery pack.

The hot/cold pack delay will be indicated by the green light continuing to blink but with the red light continuously ON. Once the battery pack has reached an appropriate temperature, the red light will turn OFF and the charger will resume the charging procedure.

Electronic Protection System

Li-Ion tools are designed with an Electronic Protection System that will protect the battery pack against overloading, overheating or deep discharge. The tool will automatically turn off and the battery pack will need to be recharged.

Important Charging Notes

1. The charger and battery pack may become warm to the touch while charging. This is a normal condition, and does not indicate a problem. To facilitate the cooling of the battery pack after use, avoid placing the charger or battery pack in a warm environment such as in a metal shed or an uninsulated trailer.
2. If the battery pack does not charge properly:
 - a. Check operation of receptacle by plugging in a lamp or other appliance;
 - b. Check to see if receptacle is connected to a light switch which turns power off when you turn out the lights;
 - c. If charging problems persist, take the tool, battery pack and charger to your local service center.
3. You may charge a partially used pack whenever you desire with no adverse effect on the battery pack.

Charger Cleaning Instructions



WARNING: Shock hazard. Disconnect the charger from the AC outlet before cleaning. Dirt and grease may be removed from the exterior of the charger using a cloth or soft non-metallic brush. Do not use water or any cleaning solutions.

Wall Mounting

Some CRAFTSMAN chargers are designed to be wall mountable or to sit upright on a table or work surface. If wall mounting, locate the charger within reach of an electrical outlet, and away from a corner or other obstructions which may impede air flow. Use the back of the charger as a template for the location of the mounting screws on the wall. Mount the charger securely using drywall screws (purchased separately) at least 1" (25.4 mm) long, with a screw head diameter of 0.28–0.35" (7–9 mm), screwed into wood to an optimal depth leaving approximately 7/32" (5.5 mm) of the screw exposed. Align the slots on the back of the charger with the exposed screws and fully engage them in the slots.

VersaTrack™




WARNING: Do not charge batteries while charger is hung on Trackwall.

ENGLISH


CRAFTSMAN chargers can be stored on CRAFTSMAN VersaTrack™ Trackwall. Hooks and accessories are sold separately. Please refer to the VersaTrack™ Trackwall accessory sheet for further information.


SAVE THESE INSTRUCTIONS FOR FUTURE USE

ASSEMBLY AND ADJUSTMENTS

 **WARNING:** To reduce the risk of serious personal injury, turn unit off and remove the battery pack before making any adjustments or removing/installing attachments or accessories. An accidental start-up can cause injury.

Installing the Guide Bar and Saw Chain (Fig. A, D–F, H)

 **CAUTION:** Sharp chain. Always wear protective gloves when handling the chain. The chain is sharp and can cut you when it is not running.

 **WARNING:** Sharp moving chain. To prevent accidental operation, ensure that battery is removed from the tool before performing the following operations. Failure to do this could result in serious personal injury.

If the saw chain **5** and guide bar **4** are packed separately in the carton, the chain has to be attached to the bar, and both must be attached to the body of the tool.


1. Place the saw on a flat, firm surface.
2. Rotate the bar lock nut **8** counterclockwise with the wrench **17** provided.
3. Remove sprocket cover **6**, and bar lock nut **8**.
4. Wearing protective gloves, grasp the saw chain **5** and wrap it around the guide bar **4**, ensuring the teeth are facing the correct direction (Fig. H).
5. Ensure the chain is properly set in the slot around the entire guide bar.
6. Place the saw chain around the sprocket **18**. While lining up the slot on the guide bar with chain tensioning pin **19**, and the bolt **20**, on the base of the tool as shown in Figure E.
7. Once in place, hold the bar still, replace sprocket cover **6**. Install the rear of the sprocket cover first, rotate it down and make sure the bolt hole on the cover lines up with the bolt **20**, on the main housing.
8. Install the bar lock nut **8** and rotate clockwise with the wrench **17** provided until snug, then loosen nut one full turn, so that the saw chain can be properly tensioned.
9. Rotate the chain tensioning screw **9** clockwise to increase tension as shown in Fig. F. Make sure the saw chain **5** is snug around the guide bar **4**. Tighten the bar lock nut **8** until snug.
10. Follow the instructions in the section **Adjusting Chain Tension**.


Adjusting Chain Tension (Fig. D, F, G)


NOTE: Saw chain tension should be adjusted regularly before each use.

1. With the saw still on a firm surface check the saw chain **5** tension. The tension is correct when the saw chain snaps back after being pulled 1/8" (3 mm) away from the guide bar **4** with light force from the middle finger and thumb as shown in Fig. F. There should be no "sag" between the guide bar and the saw chain on the underside as shown in Fig. G.
2. To adjust saw chain tension, loosen bar lock nut **8**.
3. Rotate the chain tension screw **9** in the front of the housing using the flat screwdriver end of the wrench.
4. Check saw chain tension, adjust if needed.
5. Do not over-tension the saw chain as this will lead to excessive wear and will reduce the life of the guide bar and saw chain. Overtensioning also reduces the amount of cuts you will get per battery charge.
6. Once saw chain tension is correct, tighten bar lock nut **8** until snug.
7. A new chain stretches slightly during the first few hours of use. It is important to check the tension frequently (after disconnecting battery) during the first 2 hours of use.

Replacing the Saw Chain (Fig. D, H)

 **WARNING:** Sharp moving chain. To prevent accidental operation, ensure that battery is removed from the tool before performing the following operations. Failure to do this could result in serious personal injury.

 **CAUTION:** Sharp chain. Always wear protective gloves when handling the chain. The chain is sharp and can cut you when it is not running.

 **CAUTION:** The chain speed of this product is 4.5 m/s. Only use chains that are rated at greater than 4.5 m/s.

1. Place the saw on a flat, firm surface.
2. Remove sprocket cover **6** as described in **Installing the Guide Bar and Saw Chain** section.
3. To remove the saw chain **5**, rotate the chain tension screw **9** in the front of the housing using the flat screwdriver end of the wrench. Turning the screw counterclockwise allows the guide bar **4** to recede and reduces the tension on the chain so that it may be removed.
4. Wearing protective gloves, grasp the saw chain and lift the worn saw chain out of the groove in the guide bar.
5. Flip guide bar over every time you replace the chain to ensure even wear.
6. Place the new chain in the slot of the guide bar, making sure the saw teeth are facing the correct direction by matching the arrow and graphic of the saw chain on the sprocket cover **6** shown in Fig. H.
7. Follow instructions for **Installing the Guide Bar and Saw Chain**.

Replacement chain and bar are available from your nearest authorized service center.

- This chain saw requires replacement 10" (254 mm) chain CMZCSC10. Replacement 10" (254 mm) bar CMZCSB10.

Saw Chain and Guide Bar Oiling (Fig. I)

Auto Oiling System

This chainsaw is equipped with an auto oiling system that keeps the saw chain and guide bar constantly lubricated.

The oil level indicator **11** shows the level of the oil in the chainsaw. If the oil level is less than a quarter full, remove the battery from the chainsaw and refill with the correct type of oil. Always empty oil tank when finished cutting.

NOTE: Use a high quality bar and chain oil for proper saw chain and bar lubrication. As a temporary substitute, a non-detergent SAE30 weight motor oil can be used. The use of a vegetable based bar and chain oil is recommended when pruning trees. Mineral oil is not recommended because it may harm trees. Never use waste oil or very thick oil. These may damage your chain saw.

Filling the Oil Reservoir

1. Unscrew counterclockwise and then remove the oil cap **10**. Fill the reservoir with the recommended bar and chain oil until the oil level has reached the top of the oil level indicator **11**.
2. Refit the oil cap and tighten clockwise.
3. Periodically switch the chainsaw off and check the oil level indicator to ensure the bar and chain are being properly oiled.

Transporting Chainsaw (Fig. J)

- Always turn unit off, remove the battery and cover the guide bar **4** with the scabbard **12** when transporting the saw.

OPERATION



WARNING: To reduce the risk of serious personal injury, turn unit off and remove the battery pack before making any adjustments or removing/installing attachments or accessories. An accidental start-up can cause injury.

Installing and Removing the Battery Pack (Fig. E)

NOTE: For best results, make sure your battery pack is fully charged.

To install the battery pack **7** into the tool handle, align the battery pack with the rails inside the tool's handle and slide it into the handle until the battery pack is firmly seated in the tool and ensure that it does not disengage.

To remove the battery pack from the tool, press the release button **16** and firmly pull the battery pack out of the tool handle. Insert it into the charger as described in the charger section of this manual.

Proper Hand Position (Fig. L)



WARNING: To reduce the risk of serious personal injury, ALWAYS use proper hand position as shown.



WARNING: To reduce the risk of serious personal injury, ALWAYS hold securely in anticipation of a sudden reaction.

Proper hand position requires the left hand on the front handle **14**, with the right hand on the rear handle **13**.

Operating the Chainsaw (Fig. L)



WARNING: Read and understand all instructions. Failure to follow all instructions listed below may result in electric shock, fire and/or serious personal injury.

- Guard Against Kickback which can result in severe injury or death. See Important Safety Instructions **Guard Against Kickback**, to avoid the risk of kickback.
- Do not overreach. Do not cut above chest height. Make sure your footing is firm. Keep feet apart. Divide your weight evenly on both feet.
- Use a firm grip with your left hand on the front handle **14** and your right hand on the rear handle **13** so that your body is to the left of the guide bar.
- Do not hold chain saw by front hand guard **3**. Keep elbow of left arm locked so that left arm is straight to withstand a kickback.



WARNING: Never use a cross-handed grip (left hand on the rear handle and right hand on the front handle).



WARNING: Never allow any part of your body to be in line with the guide bar **4** when operating the chain saw.

- Never operate while in a tree, in any awkward position or on a ladder or other unstable surface. You may lose control of saw causing severe injury.
- Keep the chain saw running at full speed the entire time you are cutting.
- Allow the chain to cut for you. Exert only light pressure. Do not put pressure on chain saw at end of cut.



WARNING: When not in use always have the chain brake (if equipped) engaged and battery removed.

ON/OFF Switch (Fig. M)

Always be sure of your footing and grip the chain saw firmly with both hands with the thumb and fingers encircling both handles.

1. To turn the unit on, push down on the the lock off lever **2**, shown in Fig. M, and squeeze the trigger switch **1**. Once the unit is running, you may release the lock off lever.
2. In order to keep the unit running you must continue to squeeze the trigger. To turn the unit off, release the trigger.

NOTE: If too much force is applied while making a cut the saw will turn off. To restart saw, you must release the lock off lever **2** and the trigger switch **1** before the saw will restart. Begin your cut again this time with less force. Allow the saw to cut at its own pace.



WARNING: Never attempt to lock a switch in the ON position.

Common Cutting Techniques

Felling

The process of cutting down a tree. Do not fell trees in high wind conditions.

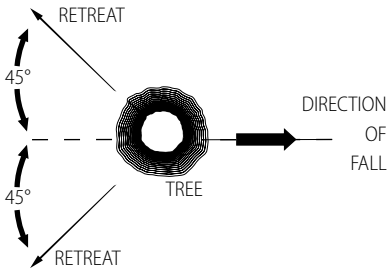


WARNING: Felling can result in injury. It should only be performed by a trained person.

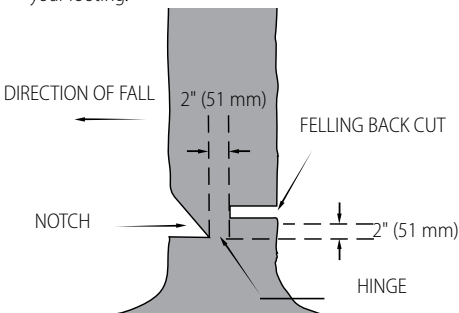
- A retreat path should be planned and cleared as necessary before cuts are started. The retreat path should

ENGLISH

extend back and diagonally to the rear of the expected line of fall as shown below.



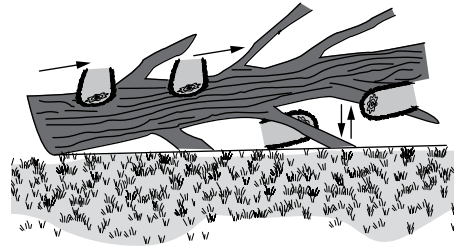
- Before felling is started, consider the natural lean of the tree, the location of larger branches and the wind direction to judge which way the tree will fall. Have wedges (wood, plastic or aluminum) and a heavy mallet handy. Remove dirt, stones, loose bark, nails, staples, and wire from the tree where the felling cuts are to be made.
- **Notching Undercut** - Make the notch 1/3 of the diameter of the tree, perpendicular to the direction of the fall. Make the lower horizontal notching cut first. This will help to avoid pinching of either the saw chain or the guide bar when the second notch cut is being made as shown below.
- **Felling Back Cut** - Make the felling back cut at least 2" (51 mm) higher than the horizontal notching cut. Keep the felling back cut parallel to the horizontal notching cut. Make the felling back cut so enough wood is left to act as a hinge. The hinge wood keeps the tree from twisting and falling in the wrong direction. Do not cut through the hinge as shown below.
- As the felling cut gets close to the hinge the tree should begin to fall. If there is any chance that the tree may not fall in the desired direction or it may rock back and bind the saw chain, stop cutting before the felling cut is complete and use wedges to open the cut and drop the tree along the desired line of fall. When the tree begins to fall remove the chain saw from the cut, stop the motor, put the chain saw down, then use the retreat path planned. Be alert for overhead limbs falling and watch your footing.



Limbing

Removing the branches from a fallen tree. When limbing, leave larger lower limbs to support the log off the ground.

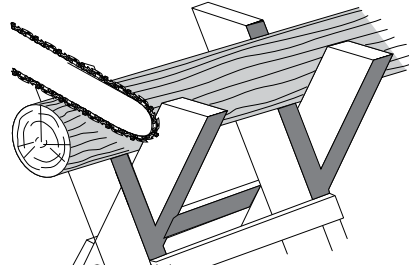
Remove the small limbs in one cut. Branches under tension should be cut from the bottom of the branch towards the top to avoid binding the chain saw as shown below. Trim limbs from opposite side keeping tree stem between you and saw. Never make cuts with saw between your legs or straddle the limb to be cut.



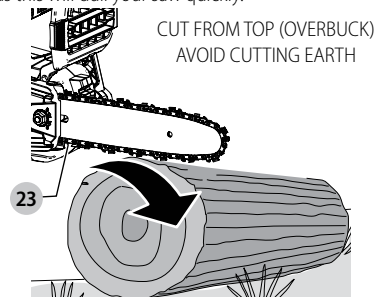
Bucking

WARNING: Recommend that first time users should practice cutting on a saw horse.

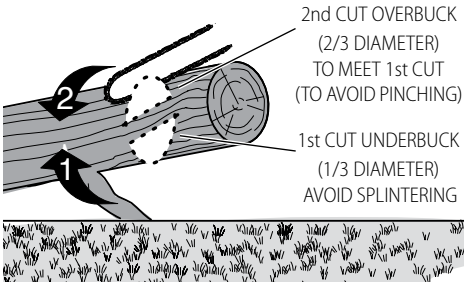
Cutting a felled tree or log into lengths. How you should cut depends on how the log is supported. Use a saw horse whenever possible as shown below.



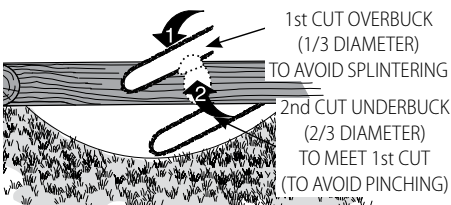
1. Always start a cut with the saw chain running at full speed.
2. Place the bottom spike **23** of the chain saw behind the area of the initial cut as shown below.
3. Turn the chain saw on then rotate the saw chain and bar down into the tree, using the spike as a hinge.
4. Once the chain saw gets to a 45° angle, level the chain saw again and repeat steps until you cut fully through.
5. When the tree is supported along its entire length, make a cut from the top (overbuck), but avoid cutting the earth as this will dull your saw quickly.



- When supported at one end first, cut 1/3 the diameter from the underside (underbuck). Then make the finishing cut by overbucking to meet the first cut as shown below.



- When supported at both ends. First, cut 1/3 down from the top overbuck. Then make the finished cut by underbucking the lower 2/3 to meet the first cut as shown below.



- When on a slope always stand on the uphill side of the log. When "cutting through", to maintain complete control reduce the cutting pressure near the end of the cut without relaxing your grip on the chain saw handles. Don't let the chain contact the ground. After completing the cut, wait for the saw chain to stop before you move the chain saw. Always stop the motor before moving from cut to cut.

MAINTENANCE

- WARNING:** To reduce the risk of serious personal injury, turn unit off and remove the battery pack before making any adjustments or removing/installing attachments or accessories. An accidental start-up can cause injury.

Cleaning

- WARNING:** Blow dirt and dust out of all air vents with clean, dry air at least once a week. To minimize the risk of eye injury, always wear ANSI Z87.1 approved eye protection when performing this procedure.
- WARNING:** Never use solvents or other harsh chemicals for cleaning the non-metallic parts of the tool. These chemicals may weaken the plastic materials used in these parts. Use a cloth dampened only with water and mild soap. Never let any liquid get inside the tool; never immerse any part of the tool into a liquid.

Saw Chain and Guide Bar

After every few hours of use, remove the sprocket cover, guide bar and chain and clean thoroughly using a soft bristle brush. Ensure oiling hole on bar is clear of debris. When replacing dull chains with sharp chains it is good practice to flip the chain bar from bottom to top.

Accessories

- WARNING:** Since accessories, other than those offered by CRAFTSMAN, have not been tested with this product, use of such accessories with this tool could be hazardous. To reduce the risk of injury, only CRAFTSMAN recommended accessories should be used with this product.

Recommended accessories for use with your tool are available at extra cost from your local dealer or authorized service center. If you need assistance in locating any accessory, please contact CRAFTSMAN call **1-888-331-4569**.

Versatrack™ (Fig. J, Q)

- WARNING:** To reduce the risk of serious personal injury, turn unit off and remove the battery pack before making any adjustments or removing/installing attachments or accessories. An accidental start-up can cause injury.
- WARNING:** To reduce the risk of serious personal injury, do not use a damaged Versatrack™ integral hang hook or Versatrack™ Trackwall. A damaged Versatrack™ integral hang hook or Versatrack™ Trackwall will not support the weight of the tool.
- WARNING:** To reduce the risk of serious personal injury, DO NOT suspend tool overhead or suspend objects from the integral hang hook. ONLY suspend tool on the Versatrack™ Trackwall using the integral hang hook.
- WARNING:** The Versatrack™ integral hang hook is intended to mount the tool onto a Versatrack™ Trackwall rail. Do not use the integral hang hook to mount the tool to any other surface.
- WARNING:** The Versatrack™ integral hang hook is not a belt hook.
- WARNING:** When hanging objects on a Versatrack™ Trackwall rail, adequately space the tools in order to not exceed 75 lb (35 kg) per linear foot.
- WARNING:** Before using the tool make sure that the Versatrack™ integral hang hook is returned to its original position.

IMPORTANT: Versatrack™ accessories mount compatible tools securely to the Versatrack™ Trackwall system.

- Turn tool off, remove the battery pack and remove accessories.
- Install guide bar scabbard **12** onto the guide bar **4**.
- CAUTION:** Any product with exposed cutting teeth must have them covered securely if it is to be on the Versatrack™ Trackwall.
- Flip or pull open the integral hang hook **22**. It clicks when locked into position.
- Mount the integral hang hook to the Versatrack™ Trackwall.

NOTE: Versatrack™ accessories for use with your tool are available at extra cost from your local dealer or authorized service center. If you need assistance in locating any accessory, please contact CRAFTSMAN, call **1-888-331-4569**.

Saw Chain Sharpening (Fig. N–P)



CAUTION: Sharp chain. Always wear protective gloves when handling the chain. The chain is sharp and can cut you when it is not running.



WARNING: Sharp moving chain. To prevent accidental operation, ensure that battery is removed from the tool before performing the following operations. Failure to do this could result in serious personal injury.

NOTE: The cutters will dull immediately if they touch the ground or a nail while cutting.

To get the best possible performance from your chain saw it is important to keep the teeth of the saw chain sharp. Follow these helpful tips for proper saw chain sharpening:

1. For best results use a 4.5 mm file and a file holder or filing guide to sharpen your saw chain. This will ensure you always get the correct sharpening angles.
2. Place the file holder flat on the top plate and depth gauge of the cutter.
3. Keep the correct top plate **21** filing angle line of 30° on your file guide parallel with your chain (file at 60° from chain viewed from the side) as shown below.
4. Sharpen cutters on one side of the chain first. File from the inside of each cutter to the outside. Then turn your saw around and repeat the processes (2, 3, 4) for cutters on the other side of the chain.

NOTE: Use a flat file to file the tops of the rakers (portion of chain link in front of the cutter) so they are about .025" (.635 mm) below the tips of the cutters as shown below.

5. Keep all cutter lengths equal as shown below.
6. If damage is present on the chrome surface of the top plates or side plates, file back until such damage is removed.



CAUTION: After filing, the cutter will be sharp, use extra caution during this process.

NOTE: Each time the chain is sharpened, it loses some of the low kickback qualities and extra caution should be used. It is recommended that a saw chain be sharpened no more than four times.

Repairs

The charger and battery pack are not serviceable. There are no serviceable parts inside the charger or battery pack.



WARNING: To assure product SAFETY and RELIABILITY, repairs, maintenance and adjustment (including brush inspection and replacement, when applicable) should be performed by a CRAFTSMAN factory service center or a CRAFTSMAN authorized service center. Always use identical replacement parts.

Register Online

Thank you for your purchase. Register your product now for:

- **WARRANTY SERVICE:** Registering your product will help you obtain more efficient warranty service in case there is a problem with your product.
- **CONFIRMATION OF OWNERSHIP:** In case of an insurance loss, such as fire, flood or theft, your

registration of ownership will serve as your proof of purchase.

- **FOR YOUR SAFETY:** Registering your product will allow us to contact you in the unlikely event a safety notification is required under the Federal Consumer Safety Act.
- Register online at www.craftsman.com/registration

Three Year Limited Warranty

CRAFTSMAN will repair or replace, without charge, any defects due to faulty materials or workmanship for three years from the date of purchase (two years for batteries). This warranty does not cover part failure due to normal wear or tool abuse. For further detail of warranty coverage and warranty repair information, visit www.craftsman.com or call **1-888-331-4569**. This warranty does not apply to accessories or damage caused where repairs have been made or attempted by others. THIS LIMITED WARRANTY IS GIVEN IN LIEU OF ALL OTHERS, INCLUDING THE IMPLIED WARRANTY OF MERCHANTABILITY AND FITNESS FOR A PARTICULAR PURPOSE, AND EXCLUDES ALL INCIDENTAL OR CONSEQUENTIAL DAMAGES. Some states do not allow limitations on how long an implied warranty lasts or the exclusion or limitation of incidental or consequential damages, so these limitations may not apply to you. This warranty gives you specific legal rights and you may have other rights which vary in certain states or provinces.

2 YEARS FREE SERVICE ON CRAFTSMAN BATTERY PACKS

CMCB201, CMCB2011

3 YEARS FREE SERVICE ON CRAFTSMAN BATTERY PACKS

CMCB202, CMCB204


NOTE: Battery warranty voided if the battery pack is tampered with in any way. CRAFTSMAN is not responsible for any injury caused by tampering and may prosecute warranty fraud to the fullest extent permitted by law.

90 DAY MONEY BACK GUARANTEE

If you are not completely satisfied with the performance of your CRAFTSMAN Power Tool or Nailer for any reason, you can return it within 90 days from the date of purchase with a receipt for a full refund – no questions asked.

LATIN AMERICA: This warranty does not apply to products sold in Latin America. For products sold in Latin America, see country specific warranty information contained in the packaging, call the local company or see website for warranty information.

FREE WARNING LABEL REPLACEMENT: If your warning labels become illegible or are missing, call **1-888-331-4569** for a free replacement.

 **AVERTISSEMENT : lire tous les avertissements de sécurité et toutes les directives.** Le non-respect des avertissements et des directives pourrait se solder par un choc électrique, un incendie et/ou une blessure grave.

 **AVERTISSEMENT :** afin de réduire le risque de blessures, lire le mode d'emploi de l'outil.

Utilisation prévue

Cette tronçonneuse est conçue pour l'élagage, l'abattage d'arbres et la coupe de bûches jusqu'à 203 mm (8 po) de diamètre.


NE PAS utiliser en conditions mouillées ou en présence de liquides ou de gaz inflammables.


Cette tronçonneuse est un outil électrique professionnel.


NE PAS laisser les enfants entrer en contact avec l'outil. Une supervision est requise lorsque des utilisateurs inexpérimentés utilisent cet outil.


Définitions : symboles et termes d'alarmes sécurité

Ces guides d'utilisation utilisent les symboles et termes d'alarmes sécurité suivants pour vous prévenir de situations dangereuses et de risques de dommages corporels ou matériels.

 **DANGER :** indique une situation dangereuse imminente qui, si elle n'est pas évitée, entraînera la mort ou des blessures graves.


 **AVERTISSEMENT :** indique une situation potentiellement dangereuse qui, si elle n'est pas évitée, pourrait entraîner la mort ou des blessures graves.

 **ATTENTION :** indique une situation potentiellement dangereuse qui, si elle n'est pas évitée, pourrait entraîner des blessures légères ou modérées.

 (Si utilisé sans aucun terme) Indique un message propre à la sécurité.

AVIS : indique une pratique ne posant **aucun risque de dommages corporels** mais qui par contre, si rien n'est fait pour l'éviter, **pourrait** poser des **risques de dommages matériels**.

AVERTISSEMENTS GÉNÉRAUX SUR LA SÉCURITÉ DES OUTILS

 **AVERTISSEMENT :** lisez tous les avertissements de sécurité, toutes les instructions, les illustrations et les caractéristiques fournis avec cet outil électrique. Ne pas suivre toutes les instructions comprises aux présentes peut conduire à un choc électrique, un incendie et/ou des blessures graves.

CONSERVER TOUS LES AVERTISSEMENTS ET TOUTES LES DIRECTIVES POUR UN USAGE ULTÉRIEUR

Le terme « outil électrique » cité dans les avertissements se rapporte à votre outil électrique à alimentation sur secteur (avec fil) ou par piles (sans fil).

1) Sécurité du lieu de travail

- Tenir l'aire de travail propre et bien éclairée.**
Les lieux encombrés ou sombres sont propices aux accidents.
- Ne pas faire fonctionner d'outils électriques dans un milieu déflamant, tel qu'en présence de liquides, de gaz ou de poussières inflammables.**
Les outils électriques produisent des étincelles qui pourraient enflammer la poussière ou les vapeurs.
- Éloigner les enfants et les personnes à proximité pendant l'utilisation d'un outil électrique.** Une distraction pourrait en faire perdre la maîtrise à l'utilisateur.

2) Sécurité en matière d'électricité

- Les fiches des outils électriques doivent correspondre à la prise. Ne jamais modifier la fiche d'aucune façon. Ne jamais utiliser de fiche d'adaptation avec un outil électrique mis à la terre.** Le risque de choc électrique sera réduit par l'utilisation de fiches non modifiées correspondant à la prise.
- Éviter tout contact physique avec des surfaces mises à la terre comme des tuyaux, des radiateurs, des cuisinières et des réfrigérateurs.** Le risque de choc électrique est plus élevé si votre corps est mis à la terre.
- Ne pas exposer les outils électriques à la pluie ou à l'humidité.** La pénétration de l'eau dans un outil électrique augmente le risque de choc électrique.
- Ne pas utiliser le cordon de façon abusive. Ne jamais utiliser le cordon pour transporter, tirer ou débrancher un outil électrique. Tenir le cordon éloigné de la chaleur, de l'huile, des bords tranchants et des pièces mobiles.** Les cordons endommagés ou enchevêtrés augmentent les risques de choc électrique.
- Pour l'utilisation d'un outil électrique à l'extérieur, se servir d'une rallonge convenant à cette application.** L'utilisation d'une rallonge conçue pour l'extérieur réduira les risques de choc électrique.
- S'il est impossible d'éviter l'utilisation d'un outil électrique dans un endroit humide, brancher l'outil dans une prise ou sur un circuit d'alimentation dotés d'un disjoncteur de fuite à la terre (GFCI).** L'utilisation de ce type de disjoncteur réduit les risques de choc électrique.

3) Sécurité personnelle

- Être vigilant, surveiller le travail effectué et faire preuve de jugement lorsqu'un outil électrique est utilisé. Ne pas utiliser d'outil électrique en cas de fatigue ou sous l'influence de drogues, d'alcool ou de médicaments.** Un simple moment d'inattention en utilisant un outil électrique peut entraîner des blessures corporelles graves.
- Utiliser des équipements de protection individuelle. Toujours porter une protection oculaire.** L'utilisation d'équipements de protection comme un masque antipoussière, des chaussures

antidérapantes, un casque de sécurité ou des protecteurs auditifs lorsque la situation le requiert réduira les risques de blessures corporelles.

- c) **Empêcher les démarrages intempestifs. S'assurer que l'interrupteur se trouve à la position d'arrêt avant de relier l'outil à une source d'alimentation et/ou d'insérer un bloc-piles, de ramasser ou de transporter l'outil.** Transporter un outil électrique alors que le doigt repose sur l'interrupteur ou brancher un outil électrique dont l'interrupteur est à la position de marche risque de provoquer un accident.
- d) **Retirer toute clé de réglage ou clé avant de démarrer l'outil.** Une clé ou une clé de réglage attachée à une partie pivotante de l'outil électrique peut provoquer des blessures corporelles.
- e) **Ne pas trop tendre les bras. Conserver son équilibre en tout temps.** Cela permet de mieux maîtriser l'outil électrique dans les situations imprévues.
- f) **S'habiller de manière appropriée. Ne pas porter de vêtements amples ni de bijoux. Garder les cheveux, les vêtements et les gants à l'écart des pièces mobiles.** Les vêtements amples, les bijoux ou les cheveux longs risquent de rester coincés dans les pièces mobiles.
- g) **Si des composants sont fournis pour le raccordement de dispositifs de dépoussiérage et de ramassage, s'assurer que ceux-ci sont bien raccordés et utilisés.** L'utilisation d'un dispositif de dépoussiérage peut réduire les dangers engendrés par les poussières.
- h) **Ne pas laisser votre connaissance acquise suite l'utilisation fréquente des outils vous permettre de baisser la garde et ignorer les principes de sécurité de l'outil.** Un acte irréfléchi peut causer une blessure grave en une fraction de seconde.

4) Utilisation et entretien d'un outil électrique

- a) **Ne pas forcer un outil électrique. Utiliser l'outil électrique approprié à l'application.** L'outil électrique approprié effectuera un meilleur travail, de façon plus sûre et à la vitesse pour laquelle il a été conçu.
- b) **Ne pas utiliser un outil électrique dont l'interrupteur est défectueux.** Tout outil électrique dont l'interrupteur est défectueux est dangereux et doit être réparé.
- c) **Débrancher la fiche de la prise électrique et, si amovible, retirez le bloc-piles de l'outil avant d'effectuer tout ajustement, changement et entreposage de celui-ci.** Ces mesures préventives réduisent les risques de démarrage accidentel de l'outil électrique.
- d) **Ranger les outils électriques hors de la portée des enfants et ne permettre à aucune personne n'étant pas familière avec un outil électrique ou son mode d'emploi d'utiliser cet outil.** Les outils électriques deviennent dangereux entre les mains d'utilisateurs inexpérimentés.

- e) **Gardez les poignées et surfaces d'emprise propres et libres de tout produit lubrifiant. Vérifier si les pièces mobiles sont mal alignées ou coincées, si des pièces sont brisées ou présentent toute autre condition susceptible de nuire au bon fonctionnement de l'outil électrique. En cas de dommage, faire réparer l'outil électrique avant toute nouvelle utilisation.** Beaucoup d'accidents sont causés par des outils électriques mal entretenus.
- f) **S'assurer que les outils de coupe sont aiguisés et propres.** Les outils de coupe bien entretenus et affûtés sont moins susceptibles de se coincer et sont plus faciles à maîtriser.
- g) **Utiliser l'outil électrique, les accessoires, les forets, etc. conformément aux présentes directives en tenant compte des conditions de travail et du travail à effectuer.** L'utilisation d'un outil électrique pour toute opération autre que celle pour laquelle il a été conçu est dangereuse.
- h) **Garder vos mains et les surfaces de prise sèches, propres et libres de graisse et de poussière.** Les mains et les surfaces de prise glissantes ne permettent pas la manutention et le contrôle sécuritaires de l'outil dans les situations imprévues.

5) Utilisation et entretien du bloc-piles

- a) **Ne recharger l'outil qu'au moyen du chargeur précisé par le fabricant.** L'utilisation d'un chargeur qui convient à un type de bloc-piles risque de provoquer un incendie s'il est utilisé avec un autre type de bloc-piles.
- b) **Utiliser les outils électriques uniquement avec les blocs-piles conçus à cet effet.** L'utilisation de tout autre bloc-piles risque de causer des blessures ou un incendie.
- c) **Lorsque le bloc-piles n'est pas utilisé, le tenir éloigné des objets métalliques, notamment des trombones, de la monnaie, des clés, des clous, des vis ou autres petits objets métalliques qui peuvent établir une connexion entre les deux bornes.** Le court-circuit des bornes du bloc-piles risque de provoquer des brûlures ou un incendie.
- d) **En cas d'utilisation abusive, le liquide peut gicler hors du bloc-piles; éviter tout contact avec ce liquide. Si un contact accidentel se produit, laver à grande eau. Si le liquide entre en contact avec les yeux, obtenir également des soins médicaux.** Le liquide qui gicle hors du bloc-piles peut provoquer des irritations ou des brûlures.
- e) **Ne pas utiliser de bloc-piles ou outil qui a été endommagé ou modifié.** Les unités endommagées ou modifiées peuvent avoir une réaction imprévisible résultant en un incendie, une explosion ou un potentiel de blessure.
- f) **Ne pas exposer de bloc-piles ou l'outil aux flammes ou à des températures excessives.** L'exposition aux flammes ou à une température au-dessus de 129 °C (265 °F) pourrait causer une explosion.

- g) **Suivre toutes les instructions de recharge et ne rechargez pas le bloc-piles ou l'outil à des températures hors de la plage de température indiquée dans les instructions.** Une recharge non conforme ou à une température hors des limites spécifiées peut endommager les piles et augmenter le risque d'incendie.

6) Réparation

- a) **Faire réparer l'outil électrique par un réparateur professionnel en n'utilisant que des pièces de recharge identiques.** Cela permettra de maintenir une utilisation sécuritaire de l'outil électriques.
- b) **Ne jamais réparer des blocs-piles endommagés.** La réparation de blocs-piles doit seulement être effectuée par le fabricant ou les fournisseurs de service autorisés.

Avertissements de sécurité généraux concernant la tronçonneuse



AVERTISSEMENT : Avertissements de sécurité supplémentaires concernant les tronçonneuses.

- a) **Tenez toutes les parties de votre corps à l'écart de la tronçonneuse lorsqu'elle fonctionne. Avant de démarrer la tronçonneuse, vérifiez qu'elle n'est pas en contact avec un objet quelconque.** Un moment d'inattention en utilisant une tronçonneuse peut emmêler vos vêtements ou une partie de votre corps avec la tronçonneuse.
- b) **Tenez toujours la tronçonneuse avec votre main droite sur la poignée arrière et votre main gauche sur la poignée avant.** Tenir la tronçonneuse en posant les mains dans l'ordre inverse augmente le risque de blessure corporelle et doit être prohibé.
- c) **Tenez l'outil électrique seulement par les surfaces de préhension isolées, car elle peut entrer en contact avec des câbles dissimulés.** Les tronçonneuses entrant un contact avec un câble « sous tension » peuvent exposer les pièces métalliques de l'outil électrique « sous tension » et causer un choc électrique à l'utilisateur.
- d) **Portez une protection oculaire. Un équipement de protection supplémentaire, auditif et pour la tête, les mains, les jambes et les pieds est recommandé.** Des vêtements de protection appropriés réduisent les blessures corporelles causées par les débris projetés ou le contact accidentel avec la tronçonneuse.
- e) **Ne pas utiliser la tronçonneuse si vous êtes dans un arbre, sur une échelle, sur un échafaudage ou sur une surface instable.** L'utilisation d'une tronçonneuse de cette manière peut entraîner une blessure corporelle grave.
- f) **Maintenez toujours vos pieds bien daplomb et utilisez la tronçonneuse seulement lorsque vous êtes debout sur une surface fixe, sécuritaire et plane.** Les surfaces glissantes et instables comme les échelles peuvent causer une perte d'équilibre ou de contrôle de la tronçonneuse.

- g) **Lorsque vous coupez une branche tendue, méfiez-vous de l'effet de ressort.** Lorsque la tension dans les fibres de bois est relâchée, l'effet de ressort de la branche peut frapper l'utilisateur et/ou projeter la tronçonneuse hors de contrôle.
- h) **Soyez très prudent lorsque vous coupez des broussailles et des arbrisseaux.** Les matières fines peuvent être attrapées par la tronçonneuse et projetées vers vous ou vous faire perdre l'équilibre.
- i) **Portez la tronçonneuse éteinte par la poignée avant et à l'écart de votre corps. Lorsque vous transportez ou entreposez la tronçonneuse, mettez toujours le fourreau du guide-chaîne.** Une manipulation appropriée de la tronçonneuse réduit le risque de contact accidentel avec la tronçonneuse en mouvement.
- j) **Suivez les instructions de lubrification, de tension de la chaîne et de remplacement du guide-chaîne et de la chaîne.** Une chaîne mal tendue ou mal lubrifiée peut se briser ou augmenter le risque de rebond.
- k) **Coupez seulement du bois. N'utilisez pas la tronçonneuse à des fins non prévues. Par exemple : n'utilisez pas la tronçonneuse pour couper du plastique, de la maçonnerie ou des matériaux de construction qui ne sont pas en bois.** Utiliser la tronçonneuse pour des travaux différents de ceux pour lesquels elle est conçue peut provoquer une situation dangereuse.
- l) **Ne tenez pas d'abattre un arbre sans en comprendre les risques et comment les éviter.** L'opérateur ou des passants peuvent subir des accidents grave lors de l'abattage d'un arbre.

Causes et prévention du rebond par l'utilisateur :

Le rebond peut se produire lorsque le nez ou l'extrémité du guide-chaîne touche un objet ou lorsque le bois se resserre et pince la tronçonneuse dans la coupe.

Le contact avec l'extrémité peut parfois causer une réaction inverse soudaine, éjectant le guide-chaîne en haut et en arrière vers l'utilisateur.

Le pincement de la tronçonneuse le long du haut du guide-chaîne peut le repousser rapidement vers l'utilisateur.

L'un ou l'autre de ces réactions peut faire en sorte que perdiez le contrôle de la scie ce qui pourrait entraîner une blessure corporelle grave. Ne vous fiez pas exclusivement aux dispositifs de sécurité intégrés à votre tronçonneuse. Comme utilisateur de tronçonneuse, vous devez prendre un certain nombre de mesures pour éviter les accidents ou les blessures lors de vos coupes.

Le rebond est le résultat d'une mauvaise utilisation de l'outil et/ou de procédures ou de conditions de fonctionnement incorrectes et il peut être évité prenant les précautions appropriées définies ci-dessous :

- a) **Tenez fermement l'outil, avec les pouces et les doigts entourant les poignées de la tronçonneuse,**

les deux mains sur la tronçonneuse et placez votre corps et votre bras de sorte à vous permettre de résister aux forces de rebond. Les forces de rebond peuvent être contrôlées par l'utilisateur si des précautions appropriées sont prises. Ne lâchez pas la tronçonneuse.

- b) **Ne vous étirez pas trop et ne coupez pas au-dessus de la hauteur des épaules.** Cela aide à prévenir le contact accidentel avec l'extrémité et permet un meilleur contrôle de la tronçonneuse dans des situations imprévues.
- c) **Utilisez seulement les guides et les chaînes de remplacement indiquées par le fabricant.** De mauvais guides et chaînes de remplacement peuvent causer la rupture et/ou le rebond de la chaîne.
- d) **Suivez les instructions d'aiguisage et d'entretien du fabricant pour la tronçonneuse.** Réduire la hauteur du limiteur de profondeur peut mener à un rebond augmenté.

Les précautions suivantes doivent être suivies pour minimiser le rebond :

1. **Saisissez fermement la tronçonneuse. Tenez fermement la tronçonneuse avec les deux mains lorsque le moteur fonctionne. Saisissez-la fermement avec les pouces et les doigts en encerclant les poignées de la tronçonneuse.** La tronçonneuse tire en avant en coupant avec le bord inférieur du guide et pousse en l'arrière en coupant le long du bord supérieur du guide.
2. **Ne vous étirez pas trop.**
3. **Maintenez vos pieds bien d'aplomb sur le sol et un bon équilibre en tout temps.**
4. **Ne laissez pas le nez du guide-chaîne entrer en contact avec une bûche, une branche, le sol ou une autre obstruction.**
5. **Ne coupez pas au-dessus de la hauteur des épaules.**
6. **Utilisez des dispositifs une chaîne à faible rebond et des guide-chaîne à rebond réduit, qui diminuent les risques associés aux rebonds.**
7. **Utilisez seulement les guides et les chaînes de remplacement indiquées par le fabricant ou l'équivalent.**
8. **Ne jamais laisser la chaîne en mouvement entrer en contact avec tout objet au bout du guide-chaîne.**
9. **Tenez la surface de travail libre de débris tels que d'autres arbres, des branches, des pierres, des clôtures, des souches, etc.** Éliminez ou évitez toute obstruction que votre tronçonneuse peut heurter lorsque vous sciez une bûche ou une branche particulière.
10. **Tenez votre tronçonneuse aiguisée et bien tendue. Une chaîne lâche ou émoussée augmente le risque de rebond.** Vérifiez régulièrement la tension avec le moteur arrêté et la pile retirée, jamais avec le moteur en marche.
11. **Commencez et continuez la coupe seulement avec la chaîne se déplaçant à pleine vitesse.** Si la chaîne se déplace à une vitesse lente, il y a un risque plus élevé qu'un rebond se produise.

12. **Coupez une seule bûche à la fois.**
13. **Soyez très prudent lorsque vous entrez à nouveau dans une coupe précédente.** Insérez les butoirs nervurés dans le bois et laissez la chaîne atteindre son plein régime avant d'effectuer une coupe.
14. **Ne pas tenter de scier en plongée ou de percer.**
15. **Faites attention au déplacement des bûches ou toute autre force qui pourrait fermer une coupe et pincer ou se retrouver dans la chaîne.**

Caractéristiques de sécurité liées aux rebonds



AVERTISSEMENT : Votre scie comporte les caractéristiques suivantes pour aider à réduire le risque de rebond ; cependant, ces caractéristiques n'éliminent pas totalement cette réaction dangereuse. En tant qu'utilisateur de la scie, ne vous fiez pas aux dispositifs de sécurité. Vous devez suivre toutes les consignes de sécurité, les instructions et l'entretien de ce manuel pour aider à éviter le rebond et les autres forces qui peuvent entraîner une blessure grave.

- Guide-chaîne à rebond réduit, conçu avec une extrémité de faible rayon qui réduit la taille de la zone à risque de rebond sur le guide-chaîne. Un guide-chaîne à rebonds réduits dont il a été démontré qu'il réduit considérablement le nombre et la gravité des rebonds lorsqu'il est testé conformément aux exigences de sécurité pour les scies à chaîne électriques.
- Chaîne à faible rebond, conçue avec un limiteur de profondeur profilé et le maillon du protecteur qui dévie la force des rebonds et permet au bois de pénétrer graduellement dans la gouge. Une chaîne à faible rebond respecte les exigences de performance des rebonds de la norme ANSI B175.1—2012.
- N'utilisez pas la tronçonneuse si vous êtes dans un arbre, sur une échelle, sur un échafaud ou sur une surface instable.
- Tenez l'outil par les surfaces de préhension isolées lorsque vous effectuez une tâche où l'outil de coupe peut entrer en contact avec le câblage dissimulé. Entrer en contact avec un câble « sous tension » met aussi les pièces métalliques de l'outil « sous tension » et peut causer un choc électrique à l'utilisateur.
- Ne pas tenter des opérations au-delà de votre capacité ou votre expérience. Lisez soigneusement et comprenez toutes les instructions décrites dans ce guide.
- Avant de démarrer la tronçonneuse, assurez-vous que la chaîne n'est pas en contact avec un objet.
- Ne faites jamais fonctionner la tronçonneuse en la tenant d'une seule main ! Le travail d'une seule main peut causer des blessures graves à l'opérateur ou aux passants. Les tronçonneuses sont conçues pour être tenues à deux mains seulement.
- Gardez les poignées sèches, propres et exemptes d'huile ou de graisse.
- Ne laissez pas la saleté, les débris et la sciure s'accumuler sur le moteur ou les événements extérieurs.
- Arrêtez la tronçonneuse avant de la poser.

- Ne coupez pas de vignes et/ou de petites broussailles.
- Faites preuve d'une extrême prudence lorsque vous coupez des broussailles et des arbrisseaux de petite taille, la matière fine risque de se prendre dans la chaîne de la scie et être projetée vers vous ou vous déséquilibrer.

Terminologie de la tronçonneuse

- **Tronçonnage** - Processus de sciage transversal d'un arbre abattu ou de bûches en longueur.
- **Frein moteur (le cas échéant)** - Dispositif utilisé pour arrêter la chaîne de la tronçonneuse lorsque la gâchette est relâchée.
- **Partie moteur de la tronçonneuse** - Tronçonneuse sans chaîne ni guide-chaîne.
- **Pignon d'entraînement ou pignon** - Pièce dentée qui entraîne la tronçonneuse.
- **Abattage** - Processus de coupe d'un arbre.
- **Trait d'abattage** - Coupe finale lors de l'abattage d'un arbre effectué du côté opposé de l'entaille de l'arbre.
- **Poignée avant** - Poignée de soutien située à l'avant ou vers l'avant de la tronçonneuse.
- **Protecteur de poignée avant** - Barrière structurelle entre la poignée avant de la tronçonneuse et le guide-chaîne, généralement située près de la position de la main sur la poignée avant.
- **Guide-chaîne** - Structure à glissière solide qui soutient et guide la chaîne de la tronçonneuse.
- **Fourreau/capot du guide-chaîne** - Gaine fixée sur le guide-chaîne pour empêcher le contact avec les dents lorsque la tronçonneuse n'est pas utilisée.
- **Rebond** - Mouvement vers l'arrière ou le haut - ou les deux - du guide-chaîne lorsque la chaîne près du nez de la zone supérieure du guide entre en contact avec tout objet comme une bûche ou une branche, ou lorsque le bois se resserre et pince la tronçonneuse dans la coupe.
- **Rebond, pincement** - Pousée rapide de la tronçonneuse qui se produit lorsque le bois se resserre et pince la chaîne de la scie en mouvement dans la coupe, le long de la partie supérieure du guide-chaîne.
- **Rebond, rotatif** - Mouvement rapide vers le haut et l'arrière de la tronçonneuse, qui peut se produire lorsque la chaîne en mouvement près de la partie supérieure de l'extrémité du guide-chaîne entre en contact avec un objet, comme une bûche ou une branche.
- **Ébranchage** - Retrait des branches d'un arbre abattu.
- **Chaîne à faible rebond** - chaîne conforme aux exigences de performance de rebond de la norme ANSI B175.1–2012 (testée sur un échantillonnage représentatif de tronçonneuses.)
- **Position de coupe normale** - Positions supposées lors du tronçonnage et des coupes d'abattage.
- **Entaille par dessous** - Entaille dans un arbre qui oriente sa chute.
- **Poignée arrière** - Poignée de soutien située à l'arrière ou vers l'arrière de la tronçonneuse.

- **Guide-chaîne à rebonds réduits** - Guide-chaîne dont il a été démontré qu'il réduit considérablement les rebonds.
- **Chaîne de tronçonneuse de remplacement** - chaîne conforme aux exigences de performance de rebond de la norme ANSI B175.1–2012 testée avec des tronçonneuses spécifiques. Elle est susceptible de ne pas répondre aux exigences de performance de la norme ANSI lorsqu'elle est utilisée avec d'autres tronçonneuses.
- **Chaîne de tronçonneuse** - Boucle de chaîne dotée de dents tranchantes pour couper le bois, entraînée par le moteur et soutenue par le guide-chaîne.
- **Butoir nervuré** - Nervures utilisées lors de l'abattage ou du tronçonnage pour faire pivoter la scie et maintenir la position pendant le sciage.
- **Bouton** - Dispositif qui met en marche ou éteint le circuit d'alimentation électrique du moteur de la tronçonneuse lorsqu'il est actionné.
- **Tringlerie du bouton** - Mécanisme qui transmet le mouvement de la gâchette au bouton.
- **Bouton de verrouillage** : blocage mobile qui empêche l'utilisation accidentelle de la gâchette jusqu'à ce qu'il soit activé manuellement.

Renseignements de sécurité supplémentaires



AVERTISSEMENT : Ne jamais modifier l'outil électrique ou toute pièce de celui-ci. Cela pourrait entraîner des dommages matériels ou des blessures corporelles.



AVERTISSEMENT : Portez **TOUJOURS** des lunettes de sécurité. Les lunettes de tous les jours **NE SONT PAS** des lunettes de sécurité. De plus, utilisez un masque facial ou anti-poussière s'il y a de la poussière durant l'utilisation. **PORTEZ TOUJOURS UN ÉQUIPEMENT DE SÉCURITÉ CERTIFIÉ** :

- Protection oculaire ANSI Z87.1 (CAN/CSA Z94.3),
- protection auditive ANSI S12.6 (S3.19),
- protection respiratoire NIOSH/OSHA/MSHA.



AVERTISSEMENT : Certaines poussières contiennent des produits chimiques reconnus dans l'État de la Californie pour causer le cancer et des anomalies congénitales ou autres effets nuisibles sur la reproduction. Certains exemples de ces produits chimiques sont :

- des composants de fertilisants,
- des composants d'insecticides, d'herbicides et de pesticides,
- l'arsenic et le chrome provenant du bois de construction traité chimiquement.

Pour réduire votre exposition à ces produits chimiques, portez un équipement de sécurité approuvé, comme un masque anti-poussière spécialement conçu pour filtrer les particules microscopiques.



AVERTISSEMENT : L'utilisation de cet outil peut générer et/ou disperser de la poussière qui peut causer des lésions respiratoires graves et permanentes ou

d'autres blessures. Utilisez toujours une protection respiratoire approuvée par NIOSH/OSHA appropriée pour l'exposition à la poussière. Dirigez les particules loin du visage et du corps.

AVERTISSEMENT : Portez toujours une protection auditive personnelle appropriée conforme à ANSI S12.6 (S3.19) durant l'utilisation. Dans certaines conditions et selon la durée d'utilisation, le bruit provenant de ce produit peut contribuer à la perte de l'audition.

ATTENTION : Lorsque vous ne l'utilisez pas, placez l'outil sur le côté sur une surface stable là où cela n'entraînera pas un risque de trébuchement ou de chute. Certains outils avec de gros bloc-piles tiennent debout, mais ils peuvent facilement être renversés.

- **Les événements couvrent souvent des pièces qui se déplacent et doivent être évités.** Des vêtements amples, les bijoux ou les cheveux longs peuvent se coincer dans des pièces qui déplacent.

L'étiquette sur votre outil peut comporter les symboles suivants. Les symboles et les définitions sont les suivants :

V	volts		Portez une protection respiratoire
Hz	hertz		Portez une protection oculaire
min	minutes		Portez une protection auditive
— — — ou CC	courant continu		Lisez toute la documentation
	Structure de classe I (mise à la terre)		CSPM
... /min	par minute		Course de travail par minute
BPM	battements par minute		Ne pas laisser sous la pluie
IPM	impacts par minute		Le contact avec l'extrémité peut avoir pour effet que le guide-chaîne se déplace soudainement vers le haut et l'arrière, ce qui peut causer une blessure grave
Tr/min	tours par minute		Le contact de l'extrémité du guide-chaîne avec tout objet doit être évité
Plpm	pieds linéaires par minute		Sens de rotation de la tronçonneuse
CPM	coups par minute		Utilisez toujours les deux mains lorsque vous utilisez la tronçonneuse
A	ampères		
W	watts		
~ ou CA	courant alternatif		
~ ou CA/CC	courant alternatif ou continu		
	Construction de classe II (à isolation double)		
n _{0n}	vitesse à vide		
n	vitesse nominale		
m/s	mètres par seconde		
	borne de terre		
	symbole d'alertes de sécurité		
	Rayonnement visible		

PILES ET CHARGEURS

Le bloc-piles n'est pas entièrement chargé lorsqu'il sort de la boîte. Avant d'utiliser le bloc-piles et le chargeur, lisez attentivement les instructions de sécurité suivantes, puis suivez les procédures de chargement énoncées. Lorsque vous commandez des blocs-piles de remplacement, assurez-vous d'inclure le numéro du catalogue et la tension.

LISEZ TOUTES LES INSTRUCTIONS

Consignes de sécurité importantes pour les blocs-piles

- **AVERTISSEMENT : lisez toutes les consignes de sécurité, les instructions et les symboles d'avertissements du bloc-piles, du chargeur et du produit. Ne pas suivre les avertissements et les instructions peut entraîner un choc électrique, un incendie et/ou des blessures graves.**
- **Ne pas charger ou utiliser le bloc-piles en atmosphères explosibles comme la présence de liquides inflammables, de gaz ou de poussière.** Insérer ou retirer la pile du bloc-piles peut enflammer la poussière ou les vapeurs.
- **NE JAMAIS forcer le bloc-piles dans le chargeur. NE PAS modifier le bloc-piles de quelque façon que ce soit dans un chargeur non compatible puisque le bloc-piles peut se briser causant une blessure corporelle.** Consultez le tableau à la fin de ce guide pour la compatibilité des blocs-piles et des chargeurs.
- **Chargez les blocs-piles seulement dans CRAFTSMAN.**
- **NE PAS** éclabousser ou immerger dans l'eau ou tout autre liquide.
- **NE PAS** laisser l'eau ou tout liquide entre dans le bloc-piles.
- **Ne pas entreposer ou utiliser l'outil et le bloc-piles dans des endroits où la température peut atteindre ou excéder 40 °C (104 °F) (comme les remises extérieures ou les édifices en métal durant l'été).** Pour une meilleure durée de vie, entreposez le bloc-piles dans un endroit frais et sec.
- **REMARQUE : Ne pas ranger les blocs-piles dans un outil avec la gâchette verrouillée. Ne jamais coller la gâchette avec du ruban adhésif en position Marche.**
- **Ne pas brûler le bloc-piles même s'il est gravement endommagé ou est entièrement usé.** Le bloc-piles peut exploser au cours d'un incendie. Des vapeurs et des matières toxiques sont produites lorsque les blocs-piles au lithium-ion sont brûlés.
- **Ne pas exposer de bloc-piles ou l'outil aux flammes ou à des températures excessives.** L'exposition aux flammes ou à une température au-dessus de 129 °C (265 °F) pourrait causer une explosion.
- **Si le liquide des piles entre en contact avec la peau, lavez immédiatement avec de l'eau et du savon doux.** Si le liquide vient en contact avec les yeux, rincez à l'eau courante durant 15 minutes, ou jusqu'à ce que l'irritation cesse, en gardant les yeux ouverts. Pour information de

consultation médicale, l'électrolyte des piles est composé d'un mélange organique liquide et de sels de lithium.

- **Le contenu des piles peut causer une irritation respiratoire.** Faites circuler de l'air frais. Si les symptômes persistent, consultez un médecin.
- **Le liquide des piles peut être inflammable s'il est exposé aux étincelles ou aux flammes.**
- **Ne jamais tenter d'ouvrir le bloc-piles pour quelque raison que ce soit. Si le boîtier du bloc-piles est fendu ou endommagé, ne pas l'insérer dans le chargeur.** Ne pas écraser, échapper ou endommager le bloc-piles. Ne pas servir d'un bloc-piles ou chargeur qui a subi un impact, a été échappé, renversé par un véhicule ou endommagé d'une façon ou d'une autre (par ex. perforé par un clou, frappé par un marteau, sur lequel on a marché). Les blocs-piles endommagés devraient être amenés/expédiés au centre de service pour recyclage.

Recommandations d'entreposage

Le meilleur lieu pour l'entreposage est un endroit frais et sec loin de la lumière directe du soleil et de la chaleur ou du froid excessif. Entreposez le bloc-piles entièrement chargé hors du chargeur.

Instructions de nettoyage du bloc-piles

La saleté et la graisse peuvent être retirées des surfaces extérieures du bloc-piles à l'aide d'un linge ou d'une brosse souple non métallique. Ne pas utiliser d'eau ou de solution nettoyante.

Blocs-piles du niveau de la jauge de carburant (Fig. B)

Certains blocs-piles incluent une jauge de carburant. Lorsque vous appuyez et maintenez, les voyants DEL indiqueront le niveau approximatif de charge restante. Cela n'indique pas la fonctionnalité de l'outil et peut varier selon les accessoires utilisés, la température et l'utilisation de l'utilisateur final.

Transport

AVERTISSEMENT : danger d'incendie. Ne pas entreposer ou transporter le bloc-piles de manière à ce que des objets métalliques puissent entrer en contact avec les bornes des piles exposées. Par exemple, ne pas placer le bloc-piles dans des tabliers, des poches, des coffres à outils, des boîtes d'ensembles de produits, des tiroirs, etc. avec des clous, des vis, des clés, les pièces de monnaie, les outils à main, etc. Lorsque vous transportez des blocs-piles individuels, assurez-vous que leurs bornes sont protégées et bien isolées de tout matériel avec lequel elles pourraient entrer en contact et causer un court-circuit.

REMARQUE : Les blocs-piles Li-Ion ne doivent pas être mises dans des bagages enregistrés sur les avions et doivent être bien protégées contre les courts-circuits si elles sont dans des bagages à main.

Le sceau SRPRC^{MD}

Veuillez apporter vos blocs-piles usagés



dans un centre de services autorisé ou chez votre détaillant local pour les recycler. Dans certaines régions, il est illégal de mettre les blocs-piles usagés à la poubelle. Vous pouvez aussi contacter votre centre de recyclage local pour des informations sur les endroits où déposer le bloc-piles usagé. Ne pas mettre dans la collecte sélective. Pour de plus amples renseignements, visitez www.call2recycle.org ou appelez au numéro sans frais dans le sceau SRPRC^{MD}. SRPRC^{MD} est une marque de commerce déposée de Call 2 Recycle, Inc.

Consignes de sécurité importantes pour tous les chargeurs de piles

AVERTISSEMENT : lisez toutes les consignes de sécurité, les instructions et les symboles d'avertissements du bloc-piles, du chargeur et du produit. Ne pas suivre les avertissements et les instructions peut entraîner un choc électrique, un incendie et/ou des blessures graves.

- **NE PAS tenter de charger le bloc-piles avec un chargeur autre qu'un CRAFTSMAN.** CRAFTSMAN chargeurs et les blocs-piles sont spécifiquement conçus pour fonctionner ensemble.
- **Ces chargeurs ne sont pas conçus pour toute utilisation autre que le chargement CRAFTSMAN.** Les autres types de chargement de blocs-piles peuvent causer la surchauffe et l'éclatement de ceux-ci, entraînant une blessure corporelle, des dommages matériels, un choc électrique ou une électrocution.
- **Ne pas exposer le chargeur à la pluie ou la neige.**
- **Ne pas laisser l'eau ou tout liquide entrer dans le bloc-piles.**
- **Tirez la fiche au lieu du cordon lorsque vous débranchez le chargeur.** Cela réduira le risque d'endommager la fiche et le cordon électriques.
- **Assurez-vous de ne pas placer le cordon là où il pourrait faire trébucher les passants ou être endommagé de quelque façon que ce soit.**
- **Ne pas utiliser une rallonge à moins que ce ne soit absolument nécessaire.** L'utilisation d'une rallonge inadéquate pourrait entraîner un risque d'incendie un choc électrique ou une électrocution.
- **Lors de l'utilisation d'un chargeur à l'extérieur, gardez-le toujours au sec et utilisez une rallonge appropriée pour l'extérieur.** L'utilisation d'une rallonge appropriée pour l'extérieur réduit le risque de choc électrique.
- **Une rallonge doit avoir un calibre de fil (AWG ou calibrage américain normalisé des fils) approprié pour la sécurité.** Plus le numéro de calibre du fil est petit, plus le cordon est lourd et par conséquent plus sa capacité est grande. Un cordon de taille inférieure entraînera une chute de tension de secteur ce qui causera une perte de puissance et une surchauffe. Le tableau suivant affiche la bonne taille à utiliser selon longueur totale des de toutes les rallonges branchées ensemble et l'intensité nominale de la plaque signalétique. En cas de doute, utilisez le calibre le plus lourd suivant.

Calibre minimum pour rallonges électriques

Volts		Longueur totale de la rallonge en pieds (mètres)			
120V		25 (7,6)	50 (15,2)	100 (30,5)	150 (45,7)
Courant nominal		AWG (American Wire Gauge)			
Plus de	Pas plus de				
0	6	18	16	16	14
6	10	18	16	14	12
10	12	16	16	14	12
12	16	14	12	Non recommandé	

- **Ne pas placer tout objet sur le dessus du chargeur ou placer le chargeur sur une surface molle qui pourrait bloquer les fentes de ventilation et entraîner une chaleur interne excessive.** Placez le chargeur loin de toute source de chaleur. Le chargeur est ventilé grâce aux fentes du dessus et du bas du boîtier.
- **Ne pas utiliser le chargeur avec un cordon ou une fiche endommagé.** Faites-les remplacer immédiatement.
- **Ne pas utiliser le chargeur s'il a reçu un choc violent, s'il a été échappé ou est autrement endommagé de quelque façon que ce soit.** Apportez-le dans un centre de services autorisé.
- **Ne pas démonter le chargeur; apportez-le dans un centre de services autorisé lorsqu'un entretien ou une réparation est nécessaire.** Un mauvais réassemblage peut entraîner un danger de choc électrique, une électrocution ou un incendie.
- **Le chargeur est conçu pour fonctionner sur une alimentation électrique domestique 120 V. Ne pas essayer de l'utiliser sur toute autre tension.** Cela ne s'applique pas au chargeur véhiculaire.
- **Les matières étrangères conductrices telles, mais sans s'y limiter, les poussières de meulage, les copeaux métalliques, la laine d'acier, le papier d'aluminium ou toute accumulation de particules métalliques devraient être éloignées des ouvertures du chargeur et des fentes de ventilation.**
- **Débranchez toujours le chargeur de l'alimentation lorsqu'il n'y a aucun bloc-piles à l'intérieur.**

Charger une pile (Fig. C)

1. Branchez le chargeur dans une prise appropriée.
2. Insérez et appuyez complètement le bloc-piles. Le voyant de chargement vert clignotera constamment pendant le chargement.
3. Le chargement est terminé lorsque le voyant vert reste allumé en permanence. Le bloc-piles peut être laissé dans le chargeur ou retiré.



AVERTISSEMENT : chargez les batteries uniquement à une température de l'air supérieure à 4,5 °C (40° F) et inférieure à +40,5 °C (105° F).

4. Le chargeur ne charge pas un bloc-piles défectueux, ce qui peut être indiqué par le voyant qui reste éteint. Apportez le chargeur et le bloc-piles dans un centre de services autorisé si le voyant reste éteint.

REMARQUE : Consultez l'étiquette près du voyant

de chargement sur le chargeur pour les modèles de clignotement.

Délai en cas de bloc chaud ou froid

Lorsque le chargeur détecte un bloc-piles qui est trop chaud ou trop froid, il démarre automatiquement le délai pour le bloc chaud/froid, suspendant la recharge jusqu'à ce que la température du bloc-piles ait atteint une température appropriée. Le chargeur passe alors automatiquement en mode de chargement du bloc-piles. Cette fonction assure une durée de vie maximale du bloc-piles.

Un bloc-piles froid peut se charger à une vitesse plus lente qu'un bloc-piles chaud.

Le délai du bloc chaud/froid sera indiqué par le voyant vert continuant à clignoter, mais avec le voyant rouge restant allumé. Une fois que le bloc-piles aura atteint la température appropriée, le voyant rouge s'éteindra et le chargeur reprendra la procédure de chargement.

Système de protection électronique

Les outils Li-Ion sont conçus avec un système de protection électronique qui protégera le bloc-piles contre une surcharge, une surchauffe et une importante décharge. L'outil s'éteindra automatiquement et le bloc-piles devra être rechargé.

Remarques importantes sur le chargement

1. Le chargeur et le bloc-piles peuvent devenir chauds au toucher durant le chargement. C'est un état normal et cela n'indique pas un problème. Pour faciliter le refroidissement du bloc-piles après l'utilisation, évitez de placer le chargeur ou le bloc-piles dans un environnement chaud comme une remise en métal ou une remorque non isolée.
2. Si le bloc-piles ne charge pas de adéquatement :
 - a. Vérifiez le fonctionnement de la prise en branchant une lampe ou un autre appareil;
 - b. Vérifiez si la prise d'alimentation est connectée à un interrupteur de lumière qui s'éteint lorsque vous éteignez les lumières;
 - c. Si les problèmes de chargement persistent, apportez l'outil, le bloc-piles et le chargeur dans votre centre de services local.
3. Vous pouvez charger un bloc partiellement utilisé au moment désiré sans effet indésirable sur le bloc-piles.

Instructions de nettoyage du chargeur



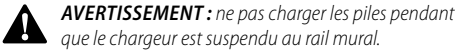
AVERTISSEMENT : danger de choc électrique. Débranchez le chargeur de la prise CA avant de nettoyer. La saleté et la graisse peuvent être retirées des surfaces extérieures du chargeur à l'aide d'un linge ou d'une brosse souple non métallique. Ne pas utiliser d'eau ou de solution nettoyante.

Montage mural

Certains chargeurs CRAFTSMAN sont conçus pour pouvoir être installés au mur ou être placés verticalement sur une table ou une surface de travail. Pour la fixation au mur, placez le chargeur près d'une prise de courant et loin d'un coin ou d'autres obstructions qui peuvent nuire à

la circulation de l'air. Utilisez la base du chargeur comme modèle pour l'emplacement des vis de montage sur le mur. Fixez solidement le chargeur à l'aide de vis pour cloison sèche (achetées séparément) d'au moins 25,4 mm (1 po) de longueur avec tête de diamètre de 7 à 9 mm (0,28 à 0,35 po) vissées dans du bois à une profondeur optimale en laissant exposée une partie de vis d'environ 5,5 mm (7/32 po). Alignez les fentes au dos du chargeur avec les vis exposées et insérez-les entièrement dans les fentes.

VersaTrack^{MC}



AVERTISSEMENT : ne pas charger les piles pendant que le chargeur est suspendu au rail mural.

Les Chargeurs CRAFTSMAN peuvent être rangés sur le rail mural VersaTrack^{MC} de CRAFTSMAN. Les crochets et les accessoires sont vendus séparément. Veuillez consulter la feuille d'accessoires des fixations VersaTrack^{MC} pour de plus amples renseignements.

CONSERVEZ CES INSTRUCTIONS POUR UTILISATION ULTÉRIEURE

ASSEMBLAGE ET AJUSTEMENTS



AVERTISSEMENT : afin de réduire le risque de blessure corporelle, éteignez l'appareil et retirez le bloc-piles avant d'effectuer tout ajustement ou de retirer/installer des pièces ou des accessoires. Un déclenchement accidentel du démarrage peut causer des blessures.

Installer le guide-chaîne et la chaîne de la scie (Fig. A, D–F, H)



ATTENTION : chaîne tranchante. Portez toujours des gants protecteurs lorsque vous manipulez la chaîne. La chaîne est aiguisée et peut vous couper lorsqu'elle ne fonctionne pas.



AVERTISSEMENT : chaîne tranchante en mouvement. Afin de prévenir le fonctionnement accidentel, assurez-vous que la pile est retirée de l'outil avant d'effectuer les opérations suivantes. Ne pas le faire pourrait entraîner des blessures corporelles graves.

Si la chaîne de scie 5 et le guide-chaîne 4 sont emballés séparément dans une boîte, la chaîne doit être fixée au guide et les deux doivent être fixés au corps de l'outil.

1. Placez la scie sur une surface ferme plane.
2. Tournez l'écrou de blocage du guide-chaîne 8 sans le sens inverse des aiguilles d'une montre avec la clé 17 fournie.
3. Retirez le capot du pignon 6 et l'écrou de blocage du guide-chaîne 8.
4. En portant des gants protecteurs, saisissez la chaîne de scie 5 et enroulez-la autour du guide-chaîne 4, en vous assurant que les dents sont placées dans la bonne direction (Fig. H).
5. Assurez-vous que la chaîne est placée correctement dans la fente autour de tout le guide-chaîne.
6. Placez la chaîne de scie autour du pignon 18. En alignant l'encoche sur le guide-chaîne avec la broche de

tension du guide-chaîne 19, et le boulon 20, sur la base de l'outil comme illustré à la Figure E.

7. Une fois en place, tenez le guide immobile, remplacez le capot du pignon 6. Installez l'arrière du pignon en premier, tournez-le vers le bas et assurez-vous que le trou du boulon sur le capot est aligné avec le boulon 20, sur le boîtier principal.
8. Installez l'écrou du guide-chaîne 8 et tournez dans le sens des aiguilles d'une montre avec la clé 17 fournie jusqu'à bien l'ajuster, puis desserrez d'écrou d'un tour complet pour tendre correctement la chaîne.
9. Tournez la vis de tension de la chaîne 9 dans le sens des aiguilles d'une montre pour augmenter la tension, comme illustré à la Fig. F. Vérifiez que la chaîne de scie 5 est bien serrée contre le guide-chaîne 4. Serrez l'écrou de blocage du guide-chaîne 8 jusqu'à bien l'ajuster.
10. Suivez les instructions dans la section **Ajuster la tension de la chaîne**.

Réglage de la tension de la chaîne (Fig. D, F, G)

REMARQUE : La tension de la chaîne de scie doit être régulièrement ajustée.

1. Avec la scie toujours sur une surface ferme et plane, vérifiez la tension de la chaîne de scie 5. La tension est bonne lorsque la chaîne se rétablit d'elle-même après avoir été tirée à 3 mm (1/8 po) du guide-chaîne 4 avec une légère force de l'index et du pouce comme illustré à la Fig. F. Il doit n'y avoir aucun « affaissement » entre le guide et la chaîne sur la partie inférieure comme illustré à la Fig. G.
2. Pour ajuster la tension de la chaîne, desserrez l'écrou de blocage du guide-chaîne 8.
3. Tournez la vis de tension de la chaîne 9 à l'avant du boîtier à l'aide de l'extrémité du tournevis plat de la clé.
4. Vérifiez la tension de la chaîne et réglez-la si nécessaire.
5. Ne pas trop tendre la chaîne de la scie puisque cela peut mener à une usure excessive et réduira la vie du guide-chaîne et de la chaîne de la scie. Trop de tension réduit aussi la quantité de coupes obtenues par chargement de la pile.
6. Une fois la tension de la chaîne correcte, serrez l'écran de blocage du guide-chaîne 8 jusqu'à bien l'ajuster.
7. Une chaîne neuve s'étire légèrement au cours des premières heures d'utilisation. Il est important de vérifier fréquemment la tension (après avoir débranché la pile) au cours des 2 premières heures d'utilisation.

Remplacement de la chaîne de scie (Fig. D, H)



AVERTISSEMENT : chaîne tranchante en mouvement. Afin de prévenir le fonctionnement accidentel, assurez-vous que la pile est retirée de l'outil avant d'effectuer les opérations suivantes. Ne pas le faire pourrait entraîner des blessures corporelles graves.



ATTENTION : chaîne tranchante. Portez toujours des gants protecteurs lorsque vous manipulez la chaîne. La

chaîne est aiguisée et peut vous couper lorsqu'elle ne fonctionne pas.



ATTENTION : la vitesse de la chaîne de ce produit est de 4,5 m/s. Utilisez seulement des chaînes d'une capacité supérieure à 4,5 m/s.

1. Placez la scie sur une surface ferme plane.
2. Retirez le capot du pignon **6** comme indiqué dans la section **Installation du guide-chaîne et de la chaîne.**
3. Pour retirer la chaîne de scie **5**, tournez la vis de tension de la chaîne **9** à l'avant du boîtier avec le côté tournevis plat de la clé. Tourner la vis dans le sens contraire des aiguilles d'une montre permet au guide-chaîne **4** de reculer et de réduire la tension de la chaîne afin qu'elle puisse être retirée.
4. En portant des gants protecteurs, saisissez la chaîne de scie et soulevez la chaîne usée de la rainure du guide-chaîne.
5. Retournez le guide-chaîne à chaque changement de chaîne pour assurer une usure régulière.
6. Placez la nouvelle chaîne dans la fente sur le guide-chaîne en vous assurant que les dents de la scie sont placées dans la bonne direction en faisant correspondre la flèche sur la chaîne avec le graphique sur le capot du pignon **6** illustré à la Fig. H.
7. Suivez les instructions de la section **Installation du guide-chaîne et de la chaîne de scie.**

La chaîne et le guide de remplacement sont disponibles au centre de services CRAFTSMAN le plus proche.

- Cette tronçonneuse nécessite une chaîne de remplacement CMZCSC10 de 254 mm (10 po). Guide-chaîne de remplacement 254 mm (10 po) CMZCSB10.

Huilage de la tronçonneuse et du guide-chaîne (Fig. I)

Système de huilage automatique

Cette tronçonneuse est munie d'un système de huilage automatique qui la garde ainsi que le guide-chaîne lubrifiés. L'indicateur du niveau d'huile **11** affiche le niveau d'huile dans la tronçonneuse. Si le niveau d'huile est inférieur au quart, retirez la pile de la tronçonneuse et remplissez avec le bon type d'huile. Videz toujours le réservoir d'huile lorsque vous avez terminé la coupe.

REMARQUE : Utilisez une huile pour chaîne et guide de scie de haute qualité pour la lubrification. Comme substitut temporaire, une huile à moteur SAE30 non détergente peut être utilisée. L'utilisation d'une huile végétale pour la chaîne et le guide est recommandée lorsque vous élaguez des arbres. L'huile minérale n'est pas recommandée parce qu'elle peut être nocive pour les arbres. Ne jamais utiliser de l'huile usée ou de l'huile très épaisse. Cela peut endommager votre tronçonneuse.

Remplir le réservoir d'huile

1. Dévissez dans le sens contraire des aiguilles d'une montre et retirez le capuchon de l'huile **10**. Remplissez le réservoir avec l'huile à chaîne et guide recommandée jusqu'à ce que le niveau de l'huile atteigne le haut de l'indicateur du niveau d'huile **11**.

2. Remettez le capuchon de l'huile et serrez dans le sens des aiguilles d'une montre.
3. Éteignez régulièrement la tronçonneuse et vérifiez le voyant du niveau d'huile pour vous assurer que le guide et la chaîne sont bien huilés.

Transporter la tronçonneuse (Fig. J)

- Retirez toujours arrêtez l'appareil, débranchez-la pile et couvrez le guide-chaîne **4** avec le fourreau **12** pour transporter la tronçonneuse.

FUNCTIONNEMENT



AVERTISSEMENT : afin de réduire le risque de blessure corporelle, éteignez l'appareil et retirez le bloc-piles avant d'effectuer tout ajustement ou de retirer/installer des pièces ou des accessoires. Un déclenchement accidentel du démarrage peut causer des blessures.

Installation et retrait du bloc-piles (Fig. E)

REMARQUE : Pour une meilleure performance, assurez-vous que le bloc-piles est complètement chargé.

Pour installer le bloc-piles **7** dans l'outil, alignez le bloc-piles avec les glissières à l'intérieur de la poignée de l'outil et glissez-le dans la poignée jusqu'à ce que le bloc-piles soit bien placé dans l'outil et assurez-vous qu'il est enclenché.

Pour retirer le bloc-piles de l'outil, appuyez sur le bouton de libération **16** et tirez le fermement hors de la poignée de l'outil. Insérez-le dans le chargeur comme indiqué dans la section du chargeur du présent manuel

Position correcte des mains (Fig. L)



AVERTISSEMENT : afin de réduire le risque de blessure corporelle grave, utilisez **TOUJOURS** la position des mains appropriée comme illustré.



AVERTISSEMENT : afin de réduire le risque de blessure grave, tenez **TOUJOURS** l'outil fermement en prévision d'une réaction soudaine.

La position des mains appropriée nécessite la main gauche sur la poignée avant **14**, avec la main droite sur la poignée arrière **13**.

Utilisation de la tronçonneuse (Fig. L)



AVERTISSEMENT : lisez et comprenez toutes les instructions. Ne pas suivre toutes les instructions indiqués ci-dessous peut conduire à un choc électrique, un incendie et/ou une blessure corporelle grave.

- Protégez-vous contre les rebonds qui peuvent entraîner une blessure grave ou la mort. Consultez les consignes importantes de sécurité **Se protéger contre les rebonds** afin d'éviter le risque de rebonds.
- Ne pas trop s'étirer. Ne pas couper au-dessus de la hauteur de la poitrine. Assurez-vous que vos pieds sont bien d'aplomb. Gardez les pieds écartés. Répartissez votre poids également sur les deux pieds.

- Tenez fermement la poignée avant **14** de la main gauche et la poignée arrière de la main droite **13** afin de vous placer sur la gauche du guide-chaîne.
- Ne tenez pas la tronçonneuse par le protecteur de la poignée avant **3**. Tenez le coude du bras gauche bloqué afin que votre bras gauche soit rectiligne pour supporter un rebond.

AVERTISSEMENT : ne jamais tenir avec les mains croisées (la main gauche sur la poignée arrière et la main droite sur la poignée avant).

AVERTISSEMENT : ne jamais laisser une partie de votre corps alignée avec le guide-chaîne **4** lorsque vous utilisez la tronçonneuse.

- Ne jamais l'utiliser lorsque vous êtes dans un arbre, dans une position étrange ou sur une échelle ou une autre surface instable. Vous pouvez perdre le contrôle de la tronçonneuse et occasionner une blessure grave.
- Faites fonctionner la tronçonneuse à pleine vitesse pendant tout le temps de la coupe.
- Laissez la chaîne couper pour vous. Exercez seulement une pression légère. N'exercez pas de pression sur la tronçonneuse à la fin de la coupe.

AVERTISSEMENT : lorsque l'outil n'est pas utilisé, laissez toujours le frein de la chaîne (le cas échéant) engagé et retirez la pile.

Bouton MARCHE/ARRÊT (Fig. M)

Gardez toujours vos pieds bien d'aplomb et saisissez fermement l'outil des deux mains avec les pouces et les doigts encerclant les deux poignées.

1. Pour mettre l'outil en marche, poussez sur le levier de verrouillage **2**, illustré à la Fig. M, et appuyez sur le bouton de la gâchette **1**. Le levier de verrouillage peut être relâché une fois la chaîne en mouvement.
2. Pour garder l'outil en marche, la gâchette doit être maintenue enfoncée. Pour arrêter l'outil, relâchez la gâchette.

REMARQUE : la tronçonneuse s'arrête si une force trop importante lui est appliquée. Pour redémarrer la tronçonneuse, vous devez libérer le levier de verrouillage **2** et le bouton de la gâchette **1**. Poursuivez la coupe en appuyant moins fortement sur l'outil. Laissez la chaîne faire son travail.

AVERTISSEMENT : ne jamais tenter de verrouiller la gâchette lorsque l'outil est en marche.

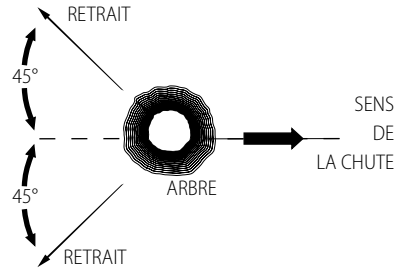
Techniques de coupe courantes

Abattage

Processus de coupe d'un arbre. Ne pas abattre les arbres lorsqu'il y a des vents violents.

AVERTISSEMENT : l'abattage peut causer une blessure. Il doit seulement être effectué par une personne formée.

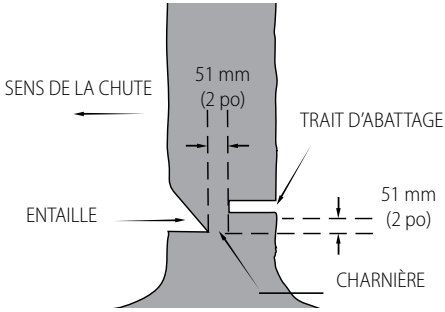
- Une trajectoire de retrait doit être planifiée et dégagée au besoin avant de commencer à couper. La trajectoire de retrait doit s'étendre à l'arrière et en diagonale vers l'arrière de la ligne prévue de la chute, comme illustré ci-dessous.



- Avant de commencer l'abattage, examinez l'inclinaison naturelle de l'arbre, l'endroit où les branches sont les plus grosses et la direction du vent pour évaluer de quelle façon l'arbre tombera. Ayez un coin (en bois, plastique ou aluminium) et un maillet lourd à portée de main. Retirez la saleté, les pierres, l'écorce détachée, les clous, les agrafes et les câbles de l'arbre où les coupes d'abattage doivent être effectuées.
- **En taille en dessous** - Faites une entaille de 1/3 du diamètre de l'arbre, perpendiculaire à la direction de la chute. Faites d'abord l'entaille horizontale inférieure. Cela contribuera à éviter le pincement de la tronçonneuse ou du guide-chaîne lorsque la deuxième entaille est effectuée comme illustré ci-dessous.
- **Trait d'abattage** - faites le trait d'abattage à au moins 51 mm (2 po) en haut de l'entaille horizontale. Gardez le trait d'abattage parallèle avec l'entaille horizontale. Faites le trait d'abattage pour qu'il y ait assez de bois pour agir comme une charnière. La charnière dans le bois empêche l'arbre de se tordre et tomber dans la mauvaise direction. Ne pas couper à travers la charnière comme illustré ci-dessous.
- Au fur et à mesure que le trait d'abattage s'approche de la charnière, l'arbre devrait commencer à tomber. S'il y a une possibilité que l'arbre puisse ne pas tomber dans la direction désirée ou qu'il puisse basculer et coincer la tronçonneuse, arrêtez la coupe avant que le trait d'abattage soit terminé et utilisez les coins pour ouvrir le trait et laisser tomber l'arbre le long de la ligne de chute désirée. Lorsque l'arbre commence à tomber, retirez la tronçonneuse du trait, arrêtez le moteur, déposez la tronçonneuse, puis utilisez la trajectoire de

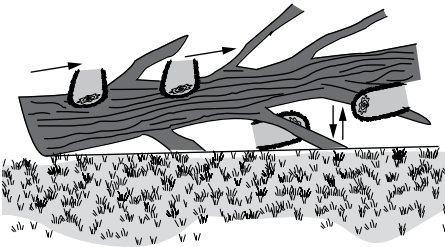
FRANÇAIS

retrait planifiée. Faites attention aux branches tombant au-dessus de votre tête et surveillez votre aplomb.



Ébranchage

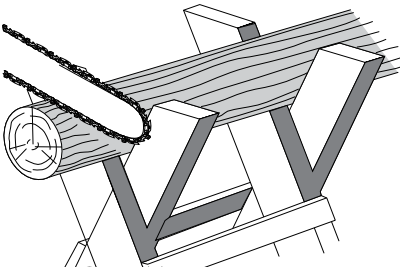
Retirer les branches d'un arbre tombé. Lorsque vous ébranchez, laissez les plus grosses branches inférieures pour soutenir la bûche au-dessus du sol. Retirez les petites branches en une seule coupe. Les branches tendues doivent être coupées par le bas de la branche vers le haut pour éviter de contraindre la tronçonneuse comme illustré ci-dessous. Coupez les branches du côté opposé en gardant le tronc entre vous et la tronçonneuse. Ne jamais effectuer les coupes avec la scie entre vos jambes ou enjamber la branche à couper.



Tronçonnage

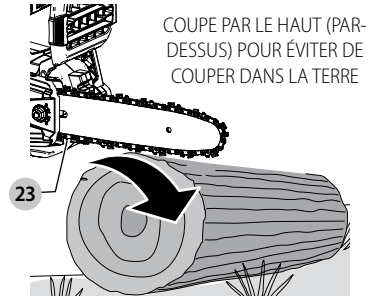
⚠ AVERTISSEMENT : Il est recommandé que les personnes qui utilisent la scie pour la première fois pratiquent la coupe sur un chevalet de sciage.

Couper un arbre abattu ou une bûche en longueurs. La façon dont vous devez couper dépend de la façon dont la bûche est soutenue. Utilisez des tréteaux dans la mesure du possible, comme illustré ci-dessous.

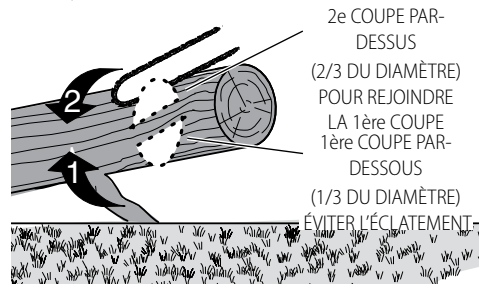


1. Utilisez toujours une coupe avec la chaîne de la scie fonctionnant à pleine vitesse.

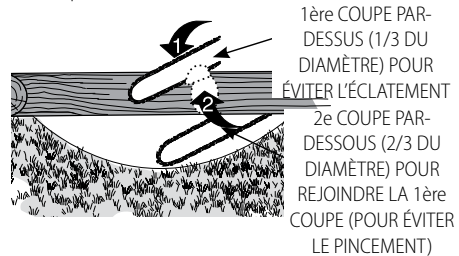
2. Placez le picot inférieur **23** de la tronçonneuse derrière la zone de coupe initiale comme illustré ci-dessous.
3. Mettez la tronçonneuse en marche, puis tournez la chaîne et le guide vers le bas dans l'arbre, en utilisant le picot comme une charnière.
4. Lorsque la tronçonneuse atteint un angle de 45°, redressez-la à nouveau et répétez les étapes jusqu'à la fin de la coupe.
5. Lorsque l'arbre est soutenu sur toute sa longueur, effectuez une coupe à partir du dessus (tronçonnez au-dessus), mais évitez de couper la terre puisque cela émoussera rapidement votre scie.



- Lorsqu'il est soutenu à une extrémité en premier, coupez 1/3 du diamètre de la partie inférieure (tronçonnez en dessous). Effectuez ensuite la coupe de finition en tronçonnant au-dessus afin de rejoindre la première coupe comme illustré ci-dessous.



- Lorsqu'il est soutenu aux deux extrémités. D'abord, coupez 1/3 vers le bas à partir du dessus à tronçonner. Effectuez ensuite la coupe de finition en tronçonnant en dessous les 2/3 inférieurs afin de rejoindre la première coupe comme illustré ci-dessous.



- Lorsque vous êtes sur une pente, restez toujours sur le côté élevé de la bûche. Lorsque vous coupez à travers, afin de maintenir un contrôle complet, réduisez la pression de coupe près de l'extrémité de la

coupe sans relâcher votre prise sur les poignées de la tronçonneuse. Ne pas laisser la chaîne entrer en contact avec le sol. Après avoir effectué la coupe, attendez que la tronçonneuse s'arrête avant de la déplacer. Arrêtez toujours le moteur avant de déplacer de coupe en coupe.

MAINTENANCE

AVERTISSEMENT : afin de réduire le risque de blessure corporelle, éteignez l'appareil et retirez le bloc-piles avant d'effectuer tout ajustement ou de retirer/installer des pièces ou des accessoires. Un déclenchement accidentel du démarrage peut causer des blessures.

Nettoyage

AVERTISSEMENT : enlever les saletés et la poussière hors des événements au moyen d'air comprimé propre et sec, au moins une fois par semaine. Pour minimiser le risque de blessure aux yeux, toujours porter une protection oculaire conforme à la norme ANSI Z87.1 lors du nettoyage.

AVERTISSEMENT : ne jamais utiliser de solvants ni d'autres produits chimiques puissants pour nettoyer les pièces non métalliques de l'outil. Ces produits chimiques peuvent affaiblir les matériaux de plastique utilisés dans ces pièces. Utiliser un chiffon humecté uniquement d'eau et de savon doux. Ne jamais laisser de liquide pénétrer dans l'outil et n'immerger aucune partie de l'outil dans un liquide.

Chaîne de la scie et guide-chaîne

Après quelques heures d'utilisation, retirez le capot du pignon, le guide-chaîne et la chaîne et nettoyez en profondeur à l'aide d'une brosse de soies douces. Assurez-vous que le trou pour l'huile sur le guide est exempt de débris. Lorsque vous remplacez des chaînes émoussées par des chaînes aiguisées, il est recommandé de retourner le guide-chaîne de bas en haut.

Accessoires

AVERTISSEMENT : puisque les accessoires autres que ceux offerts par CRAFTSMAN n'ont pas été testés avec ce produit, leur utilisation pourrait s'avérer dangereuse. Pour réduire le risque de blessures, utiliser exclusivement les accessoires CRAFTSMAN recommandés avec le présent produit.

Les accessoires recommandés pour cet outil sont vendus séparément au centre de service de votre région. Pour obtenir de l'aide concernant l'achat d'un accessoire, communiquer avec CRAFTSMAN, composer le 1-888-331-4569.

Versatrack^{MC} (Fig. J, Q)

AVERTISSEMENT : afin de réduire le risque de blessure corporelle, éteignez l'appareil et retirez le bloc-piles avant de faire des réglages ou de retirer/installer des fixations ou des accessoires. Un démarrage accidentel causer des blessures.

AVERTISSEMENT : pour réduire le risque de blessures graves, ne pas se servir d'un crochet de suspension intégré Versatrack^{MC} ou d'un rail mural Versatrack^{MC} endommagé. Un crochet de suspension

intégré Versatrack^{MC} ou un rail mural Versatrack^{MC} endommagé ne supportera pas le poids de l'outil.

AVERTISSEMENT : pour réduire le risque de blessures graves, NE PAS suspendre l'outil au-dessus du niveau de la tête ou suspendre d'autres objets au crochet de suspension intégré. Suspendez SEULEMENT l'outil sur le rail mural Versatrack^{MC} à l'aide du crochet de suspension intégré.

AVERTISSEMENT : le crochet de suspension intégré Versatrack^{MC} est conçu pour installer l'outil sur le rail mural Versatrack^{MC}. Ne pas utiliser le crochet de suspension intégré pour installer l'outil sur toute autre surface.

AVERTISSEMENT : le crochet de suspension intégré Versatrack^{MC} n'est pas un crochet pour courroie.

AVERTISSEMENT : lorsque vous suspendez des objets sur un rail mural Versatrack^{MC}, distacez adéquatement les outils de sorte à ne pas excéder 35 kg (75 lb) par pied linéaire.

AVERTISSEMENT : avant d'utiliser l'outil, assurez-vous que le crochet de suspension intégré Versatrack^{MC} est revenu à sa position originale.

IMPORTANT : les accessoires Versatrack^{MC} permettent d'installer des outils compatibles de façon sécuritaire sur le système de rail mural Versatrack^{MC}.

1. Éteignez l'outil, retirez le bloc-piles et les accessoires.
2. Installez le fourreau du guide-chaîne **12** sur le guide-chaîne **4**.

ATTENTION : tout produit avec dents coupantes exposées doit être couvert de façon sécuritaire s'il doit être mis sur le rail mural Versatrack^{MC}.

3. Tournez ou ouvrez le crochet de suspension intégré **22**. Il clique lorsqu'il est verrouillé en place.
4. Installez le crochet de suspension intégré sur le rail mural Versatrack^{MC}.

REMARQUE : les accessoires Versatrack^{MC} pour utilisation avec cet outil sont disponibles à un coût supplémentaire chez votre détaillant local ou dans un centre de services autorisé. Si vous avez besoin d'aide pour trouver un accessoire, veuillez contacter CRAFTSMAN, appelez au 1-888-331-4569.

Aiguisage de la tronçonneuse (Fig. N–P)

ATTENTION : chaîne tranchante. Portez toujours des gants protecteurs lorsque vous manipulez la chaîne. La chaîne est aiguisée et peut vous couper lorsqu'elle ne fonctionne pas.

AVERTISSEMENT : chaîne tranchante en mouvement. Afin de prévenir le fonctionnement accidentel, assurez-vous que la pile est retirée de l'outil avant d'effectuer les opérations suivantes. Ne pas le faire pourrait entraîner des blessures corporelles graves.

REMARQUE : les gouges s'émousseront immédiatement s'ils touchent le sol ou un clou durant la coupe.

Pour obtenir la meilleure performance possible de votre tronçonneuse, il est important de garder les dents de la

FRANÇAIS

chaîne de la scie aiguïsées. Suivez ces conseils pratiques pour un aiguisage approprié de la chaîne de la scie :

1. Pour les meilleurs résultats, utilisez une lime de 4,5 mm et un porte-lime ou un guide de limage pour aiguïser la chaîne de votre scie. Cela assurera que vous obteniez toujours les bons angles d'aiguisage.
2. Placez le porte-lime à plat sur la plaque supérieure et le limiteur de profondeur de la gouge.
3. Gardez la bonne ligne de l'angle de limage de la plaque supérieure **21** à 30° sur votre guide de lime parallèle avec votre chaîne (lime à 60° de la chaîne vue de côté).

Aiguïsez d'abord les gouges sur un côté de la chaîne.

Limez de l'intérieur de chaque gouge vers l'extérieur. Tournez ensuite votre scie et répétez les processus (2, 3, 4) pour les gouges de l'autre côté de la chaîne.

REMARQUE : utilisez une lime plate pour limer le dessus des maillons (partie de la chaîne liée à l'avant de la gouge) afin qu'ils soient d'environ 0,635 mm (0,025 po) sous les extrémités des gouges comme illustré ci-dessous.

4. Maintenez toutes les longueurs de gouge égales comme illustré ci-dessous.
5. Si des dommages sont présents sur la surface en chrome des plaques supérieures ou latérales, limez jusqu'à ce que les dommages soient retirés.



ATTENTION : après le limage, la gouge sera aiguïsée, soyez très prudent durant ce processus.

REMARQUE : chaque fois que la chaîne est aiguïsée, elle perd certaines des qualités de rebonds réduits et vous devez redoubler de prudence. Il est recommandé qu'une chaîne de scie soit aiguïsée pas plus que quatre fois.

Réparations

Le chargeur et le bloc-piles ne sont pas réparables. Le chargeur ou le bloc-piles ne comportent aucune pièce réparable.



AVERTISSEMENT : pour assurer la **SÉCURITÉ** et la **FIABILITÉ** du produit, les réparations, l'entretien et les réglages doivent être réalisés (cela comprend l'inspection et le remplacement du balai, le cas échéant) par un centre de réparation en usine CRAFTSMAN ou un centre de réparation agréé CRAFTSMAN. Toujours utiliser des pièces de rechange identiques.

Registre en ligne

Merci pour votre achat. Enregistrez dès maintenant votre produit:

- **RÉPARATIONS SOUS GARANTIE:** cette carte remplie vous permettra de vous prévaloir du service de réparations sous garantie de façon plus efficace dans le cas d'un problème avec le produit.
- **CONFIRMATION DE PROPRIÉTÉ:** en cas de perte provoquée par un incendie, une inondation ou un vol, cette preuve de propriété vous servira de preuve auprès de votre compagnie d'assurances.
- **SÉCURITÉ:** l'enregistrement de votre produit nous permettra de communiquer avec vous dans l'éventualité peu probable de l'envoi d'un avis de sécurité régi

par la loi fédérale américaine de la protection des consommateurs.

- Registre en ligne à www.craftsman.com/registration.

Garantie limitée de trois ans

CRAFTSMAN réparera ou remplacera sans frais tout appareil défectueux pour cause de défaut de matériau ou de main-d'œuvre sur une période de trois ans à partir de la date d'achat de l'outil (deux ans pour les bloc-piles). Cette garantie ne couvre pas les pièces en panne pour cause d'abus ou d'usure normale de l'outil. Pour plus de détails au sujet de la couverture de la garantie et l'information de réparation sous garantie, visitez www.craftsman.com ou composez le **1-888-331-4569**. Cette garantie ne s'applique pas aux accessoires ou dommages causés par des réparations effectuées ou tentées par d'autres. CETTE GARANTIE REMPLACE TOUTES LES AUTRES, INCLUANT LES GARANTIES IMPLICITES DE LA QUALITÉ MARCHANDE ET L'APTITUDE POUR UN BUT PARTICULIER, ET EXCLUT TOUS LES DOMMAGES ACCIDENTELS OU CONSÉCUTIFS. Certaines provinces ne permettent pas de limitation sur la durée de la garantie implicite ou l'exclusion ou la limitation de dommages indirects, alors ces limitations peuvent ne pas s'appliquer à vous. Cette garantie vous donne des droits légaux particuliers et vous pouvez avoir d'autres droits qui varient selon les états ou les provinces.

CONTRAT D'ENTRETIEN GRATUIT DE DEUX ANS SUR LES BLOC-PILES CRAFTSMAN

CMCB201, CMCB2011

CONTRAT D'ENTRETIEN GRATUIT DE TROIS ANS SUR LES BLOC-PILES CRAFTSMAN

CMCB202, CMCB204

REMARQUE : la garantie de se produit sera annulée si le bloc-piles a été altéré de quelque façon que ce soit. CRAFTSMAN ne peut être tenu responsable de tout dommage corporel causé par l'altération du produit et pourra poursuivre toute fraude en matière de garantie dans toute l'étendue permise par la loi.

GARANTIE DE REMBOURSEMENT DE 90 JOURS

Si l'acheteur n'est pas entièrement satisfait, pour quelque raison que ce soit, du rendement de l'outil électrique ou de la cloueuse CRAFTSMAN, celui-ci peut le retourner, accompagné d'un reçu, dans les 90 jours à compter de la date d'achat pour obtenir un remboursement intégral, sans aucun problème.

AMÉRIQUE LATINE : cette garantie ne s'applique aux produits vendus en Amérique latine. Pour ceux-ci, veuillez consulter les informations relatives à la garantie spécifique présente dans l'emballage, appeler l'entreprise locale ou consulter le site Web pour les informations relatives à cette garantie.

REMPLACEMENT GRATUIT DES ÉTIQUETTES

D'AVERTISSEMENT : si les étiquettes d'avertissement deviennent illisibles ou sont manquantes, composer le **1-888-331-4569** pour en obtenir le remplacement gratuit.



ADVERTENCIA: *Lea todas las advertencias de seguridad e instrucciones. El incumplimiento de las advertencias e instrucciones puede provocar descargas eléctricas, incendios o lesiones graves.*



ADVERTENCIA: *Para reducir el riesgo de lesiones, lea el manual de instrucciones.*

Uso pretendido

Esta sierra de cadena es ideal para aplicaciones de poda, derribo de árboles y corte de troncos de hasta 203 mm (8") de diámetro.

NO use bajo condiciones húmedas o en presencia de líquidos o gases inflamables.

Esta cadena de sierra es una herramienta eléctrica profesional.

NO permita que niños estén en contacto con la herramienta. Se requiere supervisión cuando operadores sin experiencia operen esta herramienta.

Definiciones: Símbolos y Palabras de Alerta de Seguridad

Este manual de instrucciones utiliza los siguientes símbolos y palabras de alerta de seguridad para alertarle de situaciones peligrosas y del riesgo de lesiones corporales o daños materiales.



PELIGRO: *Indica una situación de peligro inminente que, si no se evita, provocará la muerte o lesiones graves.*



ADVERTENCIA: *Indica una situación de peligro potencial que, si no se evita, podría provocar la muerte o lesiones graves.*



ATENCIÓN: *Indica una situación de peligro potencial que, si no se evita, posiblemente provocaría lesiones leves o moderadas.*



(Utilizado sin palabras) indica un mensaje de seguridad relacionado.

AVISO: *Se refiere a una práctica no relacionada a lesiones corporales que de no evitarse puede resultar en daños a la propiedad.*

ADVERTENCIAS GENERALES DE SEGURIDAD PARA HERRAMIENTAS ELÉCTRICAS



ADVERTENCIA: *Lea todas las advertencias de seguridad, instrucciones, ilustraciones y especificaciones incluidas con esta herramienta eléctrica. La falla en seguir todas las instrucciones siguientes puede resultar en descarga eléctrica, incendio y/o lesiones serias.*

CONSERVE TODAS LAS ADVERTENCIAS E INSTRUCCIONES PARA FUTURAS CONSULTAS

El término "herramienta eléctrica" incluido en las advertencias hace referencia a las herramientas eléctricas operadas con corriente (con cable eléctrico) o a las herramientas eléctricas operadas con baterías (inalámbricas).

1) Seguridad en el Área de Trabajo

- Mantenga el área de trabajo limpia y bien iluminada.** *Las áreas abarrotadas y oscuras propician accidentes.*
- No opere las herramientas eléctricas en atmósferas explosivas, como ambientes donde haya polvo, gases o líquidos inflamables.** *Las herramientas eléctricas originan chispas que pueden encender el polvo o los vapores.*
- Mantenga alejados a los niños y a los espectadores de la herramienta eléctrica en funcionamiento.** *Las distracciones pueden provocar la pérdida de control.*

2) Seguridad Eléctrica

- Los enchufes de la herramienta eléctrica deben adaptarse al tomacorriente. Nunca modifique el enchufe de ninguna manera. No utilice ningún enchufe adaptador con herramientas eléctricas con conexión a tierra.** *Los enchufes no modificados y que se adaptan a los tomacorrientes reducirán el riesgo de descarga eléctrica.*
- Evite el contacto corporal con superficies con descargas a tierra como, por ejemplo, tuberías, radiadores, cocinas eléctricas y refrigeradores.** *Existe mayor riesgo de descarga eléctrica si su cuerpo está puesto a tierra.*
- No exponga las herramientas eléctricas a la lluvia o a condiciones de humedad.** *Si entra agua a una herramienta eléctrica, aumentará el riesgo de descarga eléctrica.*
- No maltrate el cable. Nunca utilice el cable para transportar, tirar o desenchufar la herramienta eléctrica. Mantenga el cable alejado del calor, el aceite, los bordes filosos y las piezas móviles.** *Los cables dañados o enredados aumentan el riesgo de descarga eléctrica.*
- Al operar una herramienta eléctrica en el exterior, utilice un cable prolongador adecuado para tal uso.** *Utilice un cable adecuado para uso en exteriores a fin de reducir el riesgo de descarga eléctrica.*
- Si el uso de una herramienta eléctrica en un lugar húmedo es imposible de evitar, utilice un suministro protegido con un interruptor de circuito por falla a tierra (GFCI).** *El uso de un GFCI reduce el riesgo de descargas eléctricas.*

3) Seguridad Personal

- Permanezca alerta, controle lo que está haciendo y utilice el sentido común cuando emplee una herramienta eléctrica. No utilice una herramienta eléctrica si está cansado o bajo el efecto de drogas, alcohol o medicamentos.** *Un momento de descuido mientras se opera una herramienta eléctrica puede provocar lesiones personales graves.*
- Utilice equipos de protección personal. Siempre utilice protección para los ojos.** *En las condiciones adecuadas, el uso de equipos de protección,*

como máscaras para polvo, calzado de seguridad antideslizante, cascos o protección auditiva, reducirá las lesiones personales.

- c) **Evite el encendido por accidente. Asegúrese de que el interruptor esté en la posición de apagado antes de conectarlo a la fuente de energía o paquete de baterías, o antes de levantar o transportar la herramienta.** Transportar herramientas eléctricas con el dedo apoyado en el interruptor o enchufar herramientas eléctricas con el interruptor en la posición de encendido puede propiciar accidentes.
- d) **Retire la clavija de ajuste o la llave de tuercas antes de encender la herramienta eléctrica.** Una llave de tuercas o una clavija de ajuste que quede conectada a una pieza giratoria de la herramienta eléctrica puede provocar lesiones personales.
- e) **No se estire. Conserve el equilibrio y párese adecuadamente en todo momento.** Esto permite un mejor control de la herramienta eléctrica en situaciones inesperadas.
- f) **Use la vestimenta adecuada. No use ropas holgadas ni joyas. Mantenga el cabello, la ropa y los guantes alejados de las piezas en movimiento.** Las ropas holgadas, las joyas o el cabello largo pueden quedar atrapados en las piezas en movimiento.
- g) **Si se suministran dispositivos para la conexión de accesorios con fines de recolección y extracción de polvo, asegúrese de que estén conectados y que se utilicen correctamente.** El uso de dispositivos de recolección de polvo puede reducir los peligros relacionados con el polvo.
- h) **No permita que la familiaridad obtenida a partir del uso frecuente de herramientas le permitan volverse descuidado e ignorar los principios de seguridad de la herramienta.** Una acción descuidada puede causar lesiones severas en una fracción de segundo.

4) Uso y Mantenimiento de la Herramienta Eléctrica

- a) **No fuerce la herramienta eléctrica. Utilice la herramienta eléctrica correcta para el trabajo que realizará.** Si se la utiliza a la velocidad para la que fue diseñada, la herramienta eléctrica correcta permite trabajar mejor y de manera más segura.
- b) **No utilice la herramienta eléctrica si no puede encenderla o apagarla con el interruptor.** Toda herramienta eléctrica que no pueda ser controlada mediante el interruptor es peligrosa y debe repararse.
- c) **Desconecte el enchufe de la fuente de alimentación y/o retire la batería, o paquete si es desmontable, de la herramienta eléctrica antes de realizar cualquier ajuste, cambiar accesorios o almacenar herramientas eléctricas.** Estas medidas de seguridad preventivas reducen el riesgo de encender la herramienta eléctrica en forma accidental.

- d) **Guarde la herramienta eléctrica que no esté en uso fuera del alcance de los niños y no permita que otras personas no familiarizadas con ella o con estas instrucciones operen la herramienta.** Las herramientas eléctricas son peligrosas si son operadas por usuarios no capacitados.
- e) **Dé mantenimiento a las herramientas eléctricas y accesorios. Revise que no haya piezas en movimiento mal alineadas o trabadas, piezas rotas o cualquier otra situación que pueda afectar el funcionamiento de la herramienta eléctrica. Si encuentra daños, haga reparar la herramienta eléctrica antes de utilizarla.** Se producen muchos accidentes a causa de las herramientas eléctricas que carecen de un mantenimiento adecuado.
- f) **Mantenga las herramientas de corte afiladas y limpias.** Las herramientas de corte con mantenimiento adecuado y con los bordes de corte afilados son menos propensas a trabarse y son más fáciles de controlar.
- g) **Utilice la herramienta eléctrica, los accesorios y las brocas de la herramienta, etc. de acuerdo con estas instrucciones y teniendo en cuenta las condiciones de trabajo y el trabajo que debe realizarse.** El uso de la herramienta eléctrica para operaciones diferentes de aquéllas para las que fue diseñada podría originar una situación peligrosa.
- h) **Mantenga las manijas y superficies de sujeción secas, limpias y libres de aceite y grasa.** Las manijas y superficies de sujeción resbalosas no permiten el manejo y control seguros de la herramienta en situaciones inesperadas.

5) Uso y Mantenimiento de la Herramienta con Baterías

- a) **Recargue solamente con el cargador especificado por el fabricante.** Un cargador adecuado para un tipo de paquete de baterías puede originar riesgo de incendio si se utiliza con otro paquete de baterías.
- b) **Utilice herramientas eléctricas sólo con paquetes de baterías específicamente diseñados.** El uso de cualquier otro paquete de baterías puede producir riesgo de incendio y lesiones.
- c) **Cuando no utilice el paquete de baterías, manténgalo lejos de otros objetos metálicos como sujetapapeles, monedas, llaves, clavos, tornillos u otros objetos metálicos pequeños que puedan realizar una conexión desde un terminal al otro.** Los cortocircuitos en los terminales de la batería pueden provocar quemaduras o incendio.
- d) **En condiciones abusivas, el líquido puede ser expulsado de la batería. Evite su contacto. Si entra en contacto accidentalmente, enjuague con agua. Si el líquido entra en contacto con los ojos, busque atención médica.** El líquido expulsado de la batería puede provocar irritación o quemaduras.
- e) **No use un paquete de batería o herramienta que estén dañados o modificados.** Las baterías dañadas o modificadas pueden presentar un comportamiento

impredecible que resulte en incendios, explosión o riesgo de lesiones.”

- f) **No exponga un paquete de batería o una herramienta a fuego o temperatura excesiva.** La exposición a fuego o temperaturas mayores a 129 °C (265 °F) pueden causar una explosión.”
- g) **Siga todas las instrucciones de carga y no cargue el paquete de batería o la herramienta fuera del rango de temperatura especificado en las instrucciones.** Cargar inadecuadamente o en una temperatura fuera del rango de temperatura especificado puede dañar la batería e incrementar el riesgo de incendio.

6) Mantenimiento

- a) **Solicite a una persona calificada en reparaciones que realice el mantenimiento de su herramienta eléctrica y que sólo utilice piezas de repuesto idénticas.** Esto garantizará la seguridad de la herramienta eléctrica.
- b) **Nunca dé servicio a paquetes de batería dañados.** El servicio de paquetes de batería sólo debe ser realizado por el fabricante o proveedores de servicio autorizados.

Advertencias Generales de Seguridad de Sierra de Cadena



ADVERTENCIA: Advertencias de seguridad adicionales para sierras de cadena.

- a) **Mantenga todas las partes del cuerpo alejadas de la cadena de la sierra cuando la sierra de cadena esté funcionando.** Antes de encender la sierra de cadena, asegúrese que la cadena de la sierra no esté en contacto con nada. Un momento de falta de atención mientras opera sierras de cadena puede enredar su ropa o cuerpo con la cadena de la sierra.
- b) **Siempre sostenga la sierra de cadena con su mano derecha en la manija trasera y su mano izquierda en la manija delantera.** Sostener la sierra de cadena con una configuración de mano invertida aumenta el riesgo de lesiones personales y nunca debe hacerse.
- c) **Sostenga la herramienta eléctrica por las superficies de sujeción aisladas únicamente, debido a que la cadena de sierra puede hacer contacto con cableado oculto.** Las cadenas de sierra que hagan contacto con cable "vivo" pueden tener partes de metal expuestas de la herramienta eléctrica "viva" y podrían dar al operador una descarga eléctrica.
- d) **Use protección para los ojos. Se recomienda equipo de protección adicional para los oídos, la cabeza, las manos, las piernas y los pies.** El equipo de protección adecuada reducirá las lesiones personales por desechos arrojados o el contacto accidental con la cadena de la sierra.
- e) **No opere una sierra de cadena mientras esté en un árbol, en una escalera, desde un techo, o desde cualquier soporte inestable.** La operación de

la sierra de cadena de esta manera podría resultar en lesiones personales serias.

- f) **Siempre mantenga una posición de los pies adecuada y opere la sierra de cadena sólo cuando esté sobre una superficie fija, segura y nivelada.** Las superficies resbaladizas o inestables pueden provocar la pérdida de equilibrio o el control de la sierra de cadena.
- g) **Al cortar una rama que está bajo tensión, esté alerta respecto al retroceso.** Cuando se libera la tensión en las fibras de madera, la rama cargada por resorte puede golpear al operador y/o arrojar la sierra de cadena fuera de control.
- h) **Tenga extrema precaución al cortar arbustos y retoños.** El material delgado puede atrapar la cadena de la sierra y ser lanzado hacia usted o desequilibrarlo.
- i) **Lleve la sierra de cadena por la manija delantera con la sierra de cadena desconectada y lejos de su cuerpo.** Cuando transporte o almacene la sierra de cadena siempre ajuste la vaina de la barra de guía. El manejo adecuado de la sierra de cadena reducirá la probabilidad de contacto accidental con la cadena de la sierra en movimiento.
- j) **Siga las instrucciones para lubricar, tensar la cadena y cambiar la barra y la cadena.** La cadena tensada o lubricada incorrectamente puede romper o aumentar la posibilidad de retroceso.
- k) **Corte madera únicamente. No use sierras de cadena para fines no pretendidos. Por ejemplo: no use sierras de cadena para cortar plástico, mampostería o materiales de construcción que no sean de madera.** El uso de la sierra de cadena para operaciones diferentes a las pretendidas podría ocasionar una situación peligrosa.
- l) **No intente derribar un árbol hasta que tenga la comprensión de los riesgos y cómo evitarlos.** Podrían ocurrir lesiones serias al operador o transeúntes mientras derriba un árbol.

Causas y Prevención del Operador de Retroceso:

El retroceso puede ocurrir cuando la punta o punta de la barra guía toca un objeto, o cuando la madera se cierra y atrapa la cadena de la sierra en el corte.

El contacto de la punta en algunos casos puede causar una reacción inversa repentina, pateando la barra guía hacia arriba y hacia atrás hacia el operador.

Si atrapa la cadena de la sierra a lo largo de la parte superior de la barra guía, puede empujar la barra guía rápidamente hacia atrás hacia el operador.

Cualquiera de estas reacciones puede hacer que pierda el control de la sierra, lo que podría ocasionar lesiones personales graves. No confíe exclusivamente en los dispositivos de seguridad integrados en su sierra. Como usuario de una sierra de cadena, debe realizar varios pasos para evitar accidentes o lesiones en sus trabajos de corte.

El retroceso es el resultado de un mal uso de la herramienta y/o procedimientos o condiciones de operación incorrectos y se puede evitar tomando las precauciones adecuadas que se detallan a continuación:

- a) **Mantenga un agarre firme, con los pulgares y los dedos alrededor de las manijas de la sierra de cadena, con ambas manos sobre la sierra y coloque su cuerpo y brazo para que pueda resistir las fuerzas de retroceso. Las fuerzas de retroceso pueden ser controladas por el operador, si se toman las precauciones adecuadas. No suelte la sierra de cadena.**
- b) **No se estire demasiado ni corte por encima de la altura del hombro. Esto ayuda a prevenir el contacto no intencional con la punta y permite un mejor control de la sierra de cadena en situaciones inesperadas.**
- c) **Utilice únicamente barras y cadenas de repuesto especificadas por el fabricante. Las barras y cadenas de reemplazo incorrectas pueden causar rotura de la cadena y/o retrocesos.**
- d) **Siga las instrucciones de afilado y mantenimiento del fabricante para la cadena de la sierra. Disminuir la altura del calibre de profundidad puede llevar a un mayor retroceso.**

Se deben seguir las siguientes precauciones para minimizar el retroceso:

1. **Sujete la sierra firmemente. Sostenga la sierra de cadena firmemente con ambas manos cuando el motor esté funcionando. Use un agarre firme con los pulgares y dedos encerrando las manijas de la sierra de cadena. La sierra de cadena jalará hacia el frente cuando corte en el borde inferior de la barra, y empuja hacia atrás cuando corta a lo largo del borde superior de la barra.**
2. **No se estire demasiado.**
3. **Mantenga una base de apoyo y equilibrio adecuados en todo momento.**
4. **No permita que la punta de la barra guía haga contacto con un tronco, rama, el suelo u otra obstrucción.**
5. **No corte por encima de la altura del hombro.**
6. **Use dispositivos tales como cadena de bajo retroceso y barras guía de retroceso reducido que reduzcan los riesgos relacionados con el retroceso.**
7. **Utilice únicamente barras y cadenas de repuesto especificadas por el fabricante o equivalentes.**
8. **Nunca permita que la cadena en movimiento haga contacto con ningún objeto en la punta de la barra guía.**
9. **Mantenga el área de trabajo libre de obstrucciones, como otros árboles, ramas, rocas, vallas, tocones, etc. Elimine o evite cualquier obstrucción que pueda sufrir la cadena de la sierra mientras corta un tronco o rama en particular.**
10. **Mantenga su cadena de sierra afilada y tensada adecuadamente. Una cadena floja o sin filo puede**

incrementar la posibilidad de retroceso. Revise la tensión en intervalos regulares con el motor detenido y la herramienta desconectada, nunca con el motor en operación.

11. **Comience y continúe cortando sólo con la cadena moviéndose en velocidad completa. Si la cadena se mueve en una velocidad menor, existe una mayor probabilidad que ocurra retroceso.**
12. **Corte un tronco a la vez.**
13. **Tenga mucha precaución cuando vuelva a entrar al corte anterior. Coloque topes con costillas en la madera y permita que la cadena alcance la velocidad completa antes de continuar con el corte.**
14. **No intente cortes de caída o cortes de barro.**
15. **Observe respecto a troncos que cambien de posición u otras fuerzas que pudieran cerrar un corte y atrapar o caer en la cadena.**

Características de seguridad de retroceso



ADVERTENCIA: Las siguientes características están incluidas en su sierra para ayudar a reducir el riesgo de retroceso; sin embargo, tales características no eliminarán por completo esta peligrosa reacción. Como usuario de una sierra de cadena, no confíe sólo en dispositivos de seguridad. Debe seguir todas las precauciones de seguridad, instrucciones y mantenimiento en este manual para ayudar a evitar el retroceso y otras fuerzas que pueden provocar lesiones graves.

- Barra guía de retroceso reducido, diseñada con una punta de radio pequeño que reduce el tamaño de la zona de peligro de retroceso en la punta de la barra. Se ha demostrado que una barra guía de retroceso reducido reduce significativamente el número y la gravedad de los retrocesos cuando se prueba de acuerdo con los requisitos de seguridad para las sierras eléctricas de cadena.
- Cadena de retroceso bajo, diseñada con un calibre de profundidad torneado y un eslabón de protección que desvía la fuerza de retroceso y permite que la madera ingrese gradualmente en el cortador. Una cadena de bajo retroceso es una cadena que cumple con los requisitos de desempeño de retroceso de ANSI B175.1-2012.
- No opere la sierra de cadena mientras esté en un árbol, en una escalera, en un andamio, o desde una superficie inestable.
- Sostenga la herramienta por las superficies de sujeción aisladas cuando realice una operación en la que la herramienta de corte pueda tener contacto con cableado oculto. El contacto con un cable "vivo" hará que las partes de metal expuestas de la herramienta estén "vivas" y dará una descarga eléctrica al operador.
- No intente operaciones mayores a su capacidad o experiencia. Lea minuciosamente y entienda por completo todas las instrucciones de este manual.
- Antes de encender la sierra de cadena, asegúrese que la cadena de la sierra no esté en contacto con ningún objeto.

- *¡No opere una sierra de cadena con una mano! Lesiones serias al operador, asistentes, o transeúntes pueden resultar a partir de la operación de una mano. Una sierra de cadena está diseñada para uso con las dos manos únicamente.*
- *Mantenga las manijas secas, limpias y sin aceite o grasa.*
- *No permita que la suciedad, desechos, o aserrín se acumulen sobre el motor o las ventilas de aire exteriores.*
- *Detenga la sierra de cadena antes de bajarla.*
- *No corte vides y/o arbustos pequeños.*
- *Tenga precaución extrema cuando corte arbustos pequeños y retoños debido a que el material más delgado se puede atorar en la cadena de sierra y fatigar hasta usted o sacarlo de equilibrio.*

Nombres y Términos de Sierra de Cadena

- **Derribo** - El proceso de cortar transversalmente un árbol talado o tronco en longitudes.
- **Freno de motor (si está equipado)** - Un dispositivo utilizado para detener la cadena de la sierra cuando se suelta el gatillo.
- **Cabeza de potencia de sierra de cadena** - Una sierra de cadena sin la cadena de la sierra ni la barra guía.
- **Rueda dentada de transmisión o rueda dentada** - La parte dentada que impulsa la cadena de la sierra.
- **Tala** - El proceso de talar un árbol.
- **Tala de corte posterior** - El corte final en una operación de tala de árboles realizada en el lado opuesto del árbol desde el corte de muesca.
- **Manija delantera** - La manija de soporte ubicada en la parte delantera de la sierra de cadena o hacia ella.
- **Protección de mano frontal** - Una barrera estructural entre la manija delantera de una sierra de cadena y la barra guía, ubicada típicamente cerca de la posición de la mano en la manija delantera.
- **Barra guía** - Una estructura sólida con rieles que soporta y guía la cadena de la sierra.
- **Vaina/Cubierta de barra guía** - Encerramiento instalado sobre la barra guía para ayudar a evitar el contacto de los dientes cuando la sierra no está en uso.
- **Retroceso** - El movimiento hacia atrás o hacia arriba, o ambos, que ocurre cuando la cadena de la sierra cerca de la punta del área superior de la barra guía entra en contacto con cualquier objeto como un tronco o rama, o cuando la madera se cierra y atrapa la cadena de sierra en el corte.
- **Retroceso, pellizco** - El retroceso rápido de la sierra que puede ocurrir cuando la madera se cierra y aprieta la cadena de la sierra en movimiento en el corte a lo largo de la parte superior de la barra guía.
- **Retroceso, rotacional** - El movimiento rápido hacia arriba y hacia atrás de la sierra que puede ocurrir cuando la cadena de sierra en movimiento cerca de la parte superior de la punta de la barra guía entra en contacto con un objeto, como un tronco o una rama.
- **Corte de ramas** - Retirar las ramas de un árbol caído.
- **Cadena de retroceso bajo** - Una cadena que cumple con los requisitos de desempeño de retroceso de ANSI B175.1-

2012 (cuando se prueba en una muestra representativa de sierras de cadena).

- **Posición de corte normal** - Las posiciones asumidas al realizar los cortes de derribo y tala.
- **Corte de muescas** - Corte de muesca en un árbol que dirige la caída del árbol.
- **Manija posterior** - La manija de soporte ubicada en la parte posterior de la sierra o hacia ella.
- **Barra guía de retroceso reducido** - Una barra guía que ha demostrado reducir significativamente el retroceso.
- **Reemplazo de cadena de sierra** - Una cadena que cumple con los requisitos de desempeño de retroceso de ANSI B175.1-2012 cuando se prueba con sierras de cadena específicas. Es posible que no cumpla con los requisitos de desempeño ANSI cuando se usa con otras sierras.
- **Cadena de sierra** - Un bucle de cadena que tiene dientes de corte, que corta la madera, y que es accionado por el motor y es soportado por la barra guía.
- **Retén acanalado** - Las costillas que se utilizan al cortar o derribar para girar la sierra y mantener la posición durante el corte.
- **Interruptor** - Un dispositivo que cuando se opera completará o interrumpirá un circuito de alimentación eléctrica al motor de la sierra de cadena.
- **Unión de interruptor** - El mecanismo que transmite el movimiento desde un gatillo al interruptor.
- **Interruptor de bloqueo** - Un tope móvil que evita el funcionamiento involuntario del interruptor hasta que se acciona manualmente.

Información de Seguridad Adicional



ADVERTENCIA: Nunca modifique la herramienta eléctrica o ninguna parte de ella. Podría resultar en daño o lesiones personales.



ADVERTENCIA: SIEMPRE use gafas de seguridad. Las gafas de uso diario NO son gafas de seguridad. También use una careta o máscara de polvo si la operación produce polvo. SIEMPRE USE EQUIPO DE SEGURIDAD CERTIFICADO:

- Protección para los ojos ANSI Z87.1 (CAN/CSA Z94.3),
- Protección auditiva ANSI S12.6 (S3.19),
- Protección respiratoria NIOSH/OSHA/MSHA.



ADVERTENCIA: Algún polvo contiene químicos conocidos por el Estado de California que causan cáncer, defectos de nacimiento u otros daños reproductivos. Algunos ejemplos de estos químicos son:

- compuestos en fertilizantes,
- compuestos en insecticidas, herbicidas y pesticidas,
- arsénico y cromo a partir de madera tratada químicamente.

Para reducir su exposición a estos químicos, use equipo de seguridad aprobado, tal como máscaras de polvo que estén diseñadas específicamente para filtrar partículas microscópicas.

⚠ **ADVERTENCIA:** El uso de esta herramienta puede generar y/o dispersar polvo, que puede causar lesiones respiratorias serias y permanentes u otras lesiones. Siempre use protección respiratoria aprobada por NIOSH/OSHA apropiada para la exposición de polvo. Dirija las partículas lejos de la cara y el cuerpo.

⚠ **ADVERTENCIA:** Siempre use protección auditiva personal adecuada que cumpla con ANSI S12.6 (S3.19) durante el uso. Bajo algunas condiciones y duración de uso, el ruido de este producto puede contribuir con la pérdida auditiva.

⚠ **ATENCIÓN:** Cuando no esté en uso, coloque la herramienta en su lado sobre una superficie estable donde no cause un peligro de tropiezo o caída. Algunas herramientas con un paquete de batería grande pueden quedar verticales pero se pueden voltear fácilmente.

- **Las ventilas de aire a menudo cubren las partes móviles y se deben evitar.** La ropa suelta, joyería, o cabello largo podrían quedar atrapados en las partes móviles.

La etiqueta en su herramienta puede incluir los siguientes símbolos. Los símbolos y sus definiciones son los siguientes:

V	vólts	☹	Use protección respiratoria
Hz	hertz	☹	Use protección para los ojos
min	minutos	☹	Use protección auditiva
— — — o DC	corriente directa	☹	Use protección auditiva
☹	Construcción Clase I (conectada a tierra)	☹	Use protección auditiva
... /min	por minuto	📖	Lea toda la documentación
BPM	golpes por minuto	CSPM	Carreras de corte por minuto
IPM	impactos por minuto	☹	No la deje en la lluvia
RPM	revoluciones por minuto	👤	El contacto de la punta puede hacer que la barra guía se mueva repentinamente hacia arriba y hacia atrás, lo que puede causar lesiones graves
sfpm	pies de superficie por minuto	👤	Debe evitarse el contacto de la punta de la barra guía con cualquier objeto
SPM	carreras por minuto	👤	Dirección de rotación de la cadena de la sierra
A	ampéres	👤	Siempre use las dos manos cuando opere la sierra de cadena
W	watts		
~ o AC	corriente alterna		
⎓ o CA/CD	corriente alterna o directa		
☐	Construcción Clase II (aislamiento doble)		
n ₀	velocidad sin carga		
n	velocidad nominal		
m/s	metros por segundo		
⊕	terminal de tierra		
⚠	símbolo de alerta de seguridad		
☀	Radiación visible		

BATERÍAS Y CARGADORES

El paquete de batería no está completamente cargado cuando se retira del cartón. Antes de usar la batería y el cargador, lea las siguientes instrucciones de seguridad y luego siga los procedimientos de carga descritos. Cuando solicite paquetes de baterías de repuesto, asegúrese de incluir el número de catálogo y el voltaje.

LEA TODAS LAS INSTRUCCIONES

Instrucciones de Seguridad Importantes para Todos los Paquetes de Batería

- **⚠** **ADVERTENCIA:** Lea todas las advertencias de seguridad, instrucciones y marcas de precaución para el paquete de la batería, el cargador y el producto. La falla en seguir las advertencias e instrucciones puede resultar en descarga eléctrica, incendio y/o lesiones serias.
- **No cargue o use el paquete de batería en atmósferas explosivas, como en la presencia de líquidos, gases o polvo inflamables.** Insertar o retirar el paquete de batería del cargador puede encender el polvo y los vapores.
- **NUNCA fuerce el paquete de batería dentro del cargador. NO modifique el paquete de batería en ninguna forma para instalarlo en un cargador no compatible ya que el paquete de batería se puede romper causando lesiones personales serias.** Consulte la tabla al final de este manual respecto a compatibilidad de las baterías y cargadores.
- **Cargue los paquetes de batería sólo en CRAFTSMAN.**
- **NO salpique ni sumerja en agua u otros líquidos.**
- **NO permita que agua o ningún otro líquido entre al paquete de batería.**
- **No almacene ni use la herramienta y el paquete de baterías en lugares donde la temperatura pueda alcanzar o exceder los 40 °C (104 °F) (como cobertizos exteriores o edificios de metal en verano).** Para obtener la mejor vida útil, guarde los paquetes de baterías en un lugar fresco y seco.
- **NOTA: No guarde los paquetes de baterías en una herramienta con el interruptor de gatillo bloqueado. Nunca sujete con cinta el interruptor de gatillo en la posición ON.**
- **No incinere el paquete de batería incluso si está dañado severamente o está completamente agotada.** El paquete de batería pueden explotar en el fuego. Se crean humos y materiales tóxicos cuando se queman los paquetes de baterías de ion de litio.
- **No exponga un paquete de batería o una herramienta a fuego o temperatura excesiva.** La exposición a fuego o temperaturas mayores a 129 °C (265 °F) pueden causar una explosión.
- **Siga todas las instrucciones de carga y no cargue el paquete de batería o la herramienta fuera del rango de temperatura especificado en las instrucciones.** Cargar inadecuadamente o en una temperatura fuera del rango de temperatura especificado puede dañar la batería e incrementar el riesgo de incendio.

- **Si el contenido de la batería entra en contacto con la piel, lave de inmediato el área con jabón suave y agua.** Si el líquido de la batería entra en los ojos, enjuague con agua sobre el ojo abierto durante 15 minutos o hasta que desaparezca la irritación. Si se necesita atención médica, el electrólito de la batería está compuesto por una mezcla de carbonatos orgánicos líquidos y sales de litio.
- **El contenido de las celdas de batería abiertas puede causar irritación respiratoria.** Proporcione aire fresco. Si los síntomas persisten, busque atención médica.
- **El líquido de la batería puede ser inflamable si se expone a chispas o llamas.**
- **Nunca intente abrir el paquete de baterías por ninguna razón. Si la caja del paquete de baterías está agrietada o dañada, no la inserte en el cargador.** No aplaste, deje caer o dañe el paquete de la batería. No use un paquete de baterías o cargador que haya recibido un golpe fuerte, se haya dejado caer, se haya aplastado o dañado de cualquier manera (por ej., perforado con un clavo, golpeado con un martillo, o pisado). Los paquetes de batería dañados se deben regresar al centro de servicio para reciclaje.

Recomendaciones de Almacenamiento

El mejor lugar de almacenamiento es aquel que es fresco y seco, alejado de la luz solar directa y del exceso de calor o frío. Guarde el paquete de batería completamente cargado fuera del cargador.

Instrucciones de Limpieza de Paquete de Batería

La suciedad y grasa se pueden retirar del exterior de la paquete de batería con una tela o cepillo no metálico suave. No use agua o ninguna solución de limpieza.

Paquetes de Baterías de Indicador de Combustible (Fig. B)

Algunos paquetes de batería incluyen un indicador de combustible. Cuando se presiona y sostiene el botón de indicador de combustible, las luces LED indicarán el nivel de carga aproximado restante. Éste no indica la funcionalidad de la herramienta y está sujeto a variación en base a los componentes del producto, la temperatura y la aplicación del usuario final.

Transporte

- ⚠️ ADVERTENCIA: Riesgo de Incendio. No guarde, transporte, o lleve el paquete de batería de forma que objetos de metal puedan tener contacto con las terminales expuestas de la batería.** Por ejemplo, no coloque la batería en delantales, bolsillos, cajas de herramientas, cajas de juego de productos, cajones, etc., con clavos sueltos, tornillos, llaves, monedas, herramientas manuales, etc. Al transportar paquetes de baterías individuales, asegúrese que las terminales de la batería estén protegidas y bien aisladas de materiales que puedan entrar en contacto con ellas y causar un cortocircuito. **NOTA:** Los paquetes de batería de ion de litio no se deben colocar en equipaje de mano

en aviones y se deben proteger adecuadamente contra corto circuito si están en el equipaje registrado.

El Sello RBRC®

Lleve sus paquetes de batería agotados a un centro de servicio autorizado o a su minorista local para reciclarlas. En algunas áreas, es ilegal colocar paquetes de batería gastados en la basura. También puede comunicarse con su centro de reciclaje local para obtener información sobre dónde dejar el paquete de batería agotado. No las coloque en el reciclaje de la acera. Para información adicional visite www.call2recycle.org. O llame al número de larga distancia gratuito en el Sello RBRC®.

RBRC® es una marca comercial registrada de Call 2 Recycle, Inc.



Instrucciones de Seguridad Importantes para Todos los Cargadores de Batería

- ⚠️ ADVERTENCIA: Lea todas las advertencias de seguridad, instrucciones y marcas de precaución para el paquete de la batería, el cargador y el producto. La falla en seguir las advertencias e instrucciones puede resultar en descarga eléctrica, incendio y/o lesiones serias.**

- **NO intente cargar el paquete de batería con cargadores diferentes al CRAFTSMAN.** CRAFTSMAN y los paquetes de batería están diseñados específicamente para funcionar juntos.
- **Estos cargadores no están destinados para ningún otro uso que no sea cargar CRAFTSMAN.** Cargar otros tipos de baterías puede causar que se sobrecalienten y exploten, resultando en lesiones personales, daño a la propiedad, incendio, descarga eléctrica o electrocución.
- **No exponga el cargador a la lluvia o la nieve.**
- **NO permita que agua o ningún otro líquido entre al cargador.**
- **Jale por el enchufe en lugar del cable cuando desconecte el cargador.** Esto reducirá el riesgo de daños al enchufe y cable eléctricos.
- **Asegúrese que el cable esté ubicado de forma que no se pueda pisar, provoque tropiezos, o de otra forma esté sujeto a daño o esfuerzo.**
- **No use un cable de extensión a menos que sea absolutamente necesario.** El uso de un cable de extensión inadecuado podría resultar en riesgo de incendio, descarga eléctrica o electrocución.
- **Cuando opere un cargador al aire libre, proporcione siempre un lugar seco y use un cable de extensión adecuado para uso en exteriores.** El uso de un cable adecuado para uso en exteriores reduce el riesgo de descarga eléctrica.
- **Un cable de extensión debe tener un tamaño de cable adecuado (AWG o American Wire Gauge) por seguridad.** Cuanto menor es el número de calibre del cable, el cable será más pesado y por lo tanto su capacidad. Un cable de tamaño inferior causará una caída en el voltaje en línea que resulta en una pérdida de energía y

sobrecalentamiento. La siguiente tabla muestra el tamaño correcto a usar dependiendo de la longitud total de todos los cables de extensión juntos, y la clasificación de amperes de la placa de identificación. Si tiene duda, use el calibre más pesado siguiente.


Calibre mínimo para juegos de cable

Voltios		Longitud total de cable en pies (metros)			
120V		25 (7.6)	50 (15.2)	100 (30.5)	150 (45.7)
Clasificación de amperes		American Wire Gauge			
Mayor a	No mayor a				
0	6	18	16	16	14
6	10	18	16	14	12
10	12	16	16	14	12
12	16	14	12	No recomendado	

- **No coloque ningún objeto encima del cargador ni coloque el cargador sobre una superficie blanda que pueda bloquear las ranuras de ventilación y provocar un calor interno excesivo.** Coloque el cargador en una posición lejos de cualquier fuente de calor. El cargador se ventila a través de ranuras en la parte superior e inferior del alojamiento.
- **No opere el cargador con un cable o enchufe dañado.** Solicite que los replacen inmediatamente.
- **No opere el cargador si recibió un golpe fuerte, se dejó caer o se dañó de cualquier manera.** Llévelo a un centro de servicio autorizado.
- **No desensamble el cargador; llévelo a un centro de servicio autorizado cuando se requiera servicio o reparación.** El reensamble incorrecto puede resultar en un riesgo de descarga eléctrica, electrocución o incendio.
- **El cargador está diseñado para operar con corriente eléctrica doméstica estándar de 120V. No intente usarlo en ningún otro voltaje.** Esto no aplica al cargador de vehículos.
- **Los materiales extraños de naturaleza conductiva tales como, pero sin limitarse a, polvo de pulido, rebabas de metal, lana de acero, papel aluminio, o cualquier acumulación de partículas metálicas se deben mantener alejados de las cavidades y ranuras de ventilación del cargador.**
- **Siempre desconecte el cargador del suministro de energía cuando no haya paquete de baterías en la cavidad.**

Carga de la Batería (Fig. C)

1. Conecte el cargador en un tomacorriente apropiado.
2. Inserte y asiente completamente el paquete de batería. La luz de carga verde parpadeará continuamente mientras carga.
3. La carga es completa cuando la luz verde permanece encendida continuamente. El paquete de batería se puede dejar en el cargador o retirarse.

 **ADVERTENCIA:** Cargue las baterías únicamente a una temperatura del aire superior a 4,5 °C (40 °F) y por debajo de + 40,5 °C (105° F).

4. El cargador no cargará un paquete de batería defectuoso, lo que puede indicarse por la luz que permanece apagada. Lleve el cargador y el paquete de batería a un centro de servicio autorizado si la luz permanece apagada.

NOTA: Consulte la etiqueta cerca de la luz de carga en el cargador respecto a los patrones de parpadeo.

Demora de Paquete Caliente/Frío

Cuando el cargador detecta un paquete de batería que esté demasiado caliente o demasiado fría, comienza automáticamente una Demora de Paquete Caliente/Frío, suspendiendo la carga hasta que el paquete de batería alcance una temperatura apropiada. El cargador cambia automáticamente al modo de carga del paquete. Esta característica garantiza la vida máxima del paquete de batería.

Un paquete de batería frío puede cargar a un ritmo más lento que un paquete de batería caliente.

La demora de paquete caliente/frío se indicará por la luz verde que continúa parpadeando pero con la luz roja encendida continuamente. Una vez que la batería haya alcanzado la temperatura adecuada, la luz roja se apagará y el cargador reanudará el proceso de carga.


Sistema de Protección Electrónica

Las herramientas de ion de litio están diseñadas con un Sistema de Protección Electrónica que protegerá el paquete de batería contra sobrecarga, sobrecalentamiento o descarga profunda. La herramienta se apagará automáticamente y el paquete de batería se necesitará volver a cargar.

Notas Importantes de Carga

1. El cargador y el paquete de baterías pueden calentarse al tacto durante la carga. Esta es una condición normal y no indica un problema. Para facilitar el enfriamiento de la batería después de su uso, evite colocar el cargador o la batería en un ambiente cálido, como en un cobertizo de metal o un remolque sin aislamiento.
2. Si la batería no se carga correctamente:
 - a. Verifique la operación del receptáculo conectando una lámpara u otro aparato;
 - b. Revise si el receptáculo está conectado a un interruptor de luz que apegue la energía cuando apague las luces;
 - c. Si persisten los problemas de carga, lleve la herramienta, el paquete de batería y el cargador a su centro de servicio local.
3. Puede cargar un paquete parcialmente usado cuando lo desee sin ningún efecto adverso en el paquete de baterías.

Instrucciones de Limpieza de Cargador

 **ADVERTENCIA:** Riesgo de descarga eléctrica. Desconecte el cargador del tomacorriente CA antes de limpiar. La suciedad y grasa se pueden retirar del exterior del cargador con una tela o cepillo no metálico suave. No use agua o ninguna solución de limpieza.

Montaje en Pared

Algunos cargadores CRAFTSMAN están diseñados para montarse en pared o colocarse verticales sobre una mesa o superficie de trabajo. Si se monta en pared, localice el cargador dentro del alcance de un tomacorriente eléctrico, y lejos de una esquina u otras obstrucciones que puedan impedir el flujo de aire. Use la parte posterior del cargador como una plantilla para la ubicación de los tornillos de montaje en la pared. Instale el cargador firmemente con tornillos para Tablaroca (adquiridos por separado) por lo menos de 25,4 mm (1") de largo, con un diámetro de madera de tornillo de 7–9 mm (0,28–0,35"), atornillados en madera a una profundidad óptima dejando aproximadamente 5,5 mm (7/32") de tornillo expuesto. Alinee las ranuras en la parte posterior del cargador con los tornillos expuestos y conéctelos completamente dentro de las ranuras.

VersaTrack™



ADVERTENCIA: No cargue las baterías mientras el cargador esté colgado en Trackwall.

Los cargadores CRAFTSMAN se pueden guardar en VersaTrack™ Trackwall de CRAFTSMAN. Los ganchos y accesorios se venden por separado. Consulte la hoja de accesorios VersaTrack™ Trackwall para obtener más información.

CONSERVE ESTAS INSTRUCCIONES PARA USO FUTURO

MONTAJE Y AJUSTES



ADVERTENCIA: Para reducir el riesgo de lesiones personales, apague la unidad y retire el paquete de batería antes de realizar cualquier ajuste o retirar/instalar conexiones o accesorios.

Una activación de arranque accidental puede causar lesiones.

Instalación de Barra Guía y Cadena de Sierra (Fig. A, D–F, H)



ATENCIÓN: Cadena filosa. Siempre use guantes de protección cuando maneje la cadena. La cadena está afilada y puede cortarlo cuando no está funcionando.



ADVERTENCIA: Cadena móvil filosa. Para evitar una operación accidental, asegúrese que la batería se retire de la herramienta antes de realizar las siguientes operaciones. Si no lo hace, podría ocasionar lesiones personales graves.

Si la cadena de la sierra **5** y la barra guía **4** están empacadas por separado en la caja de cartón, la cadena se tiene que conectar a la barra, y ambas se deben conectar al cuerpo de la herramienta.

1. Coloque la sierra sobre una superficie plana y firme.
2. Gire la tuerca de bloqueo de la barra **8** en sentido contrario a las manecillas del reloj con la llave **17** incluida.
3. Retire la cubierta de la rueda dentada **6**, y la tuerca de bloqueo de la barra **8**.

4. Con guantes de protección, sujete la cadena de la sierra **5** y envuélvala alrededor de la barra guía **4**, asegurándose que los dientes estén orientados en la dirección correcta (Fig. H).
5. Asegúrese que la cadena esté correctamente colocada en la ranura alrededor de toda la barra guía.
6. Coloque la cadena de sierra alrededor de la rueda dentada **18**. Mientras alinea la ranura sobre la barra guía con el pasador de tensión de cadena **19**, y el perno **20**, sobre la base de la herramienta como se muestra en la Figura E.
7. Una vez en su lugar, mantenga la barra inmóvil, vuelva a colocar la cubierta del piñón **6**. Instale la parte trasera de la cubierta de rueda dentada primero, gírela hacia abajo y asegúrese que el orificio del perno sobre la correa se alinee con el perno **20**, sobre el alojamiento principal.
8. Instale la tuerca de bloqueo de la barra **8** y gire en sentido de las manecillas del reloj con la llave **17** incluida hasta que esté apretada, después afloje la tuerca una vuelta completa, de forma que la cadena de sierra se pueda tensar adecuadamente.
9. Gire el tornillo de tensión de cadena **9** en sentido de las manecillas del reloj para incrementar la tensión como se muestra en la Fig. F. Asegúrese que la cadena de sierra **5** esté apretada alrededor de la barra guía **4**. Apriete la tuerca de bloqueo de barra **8** hasta que esté apretada.
10. Siga las instrucciones en la sección **Ajuste de tensión de cadena**.

Ajuste de Tensión de la Cadena (Fig. D, F, G)

NOTA: La tensión de la cadena de sierra debe ajustarse regularmente antes de cada uso.

1. Con la sierra todavía sobre una superficie firme, verifique la tensión de la cadena de la sierra **5**. La tensión es correcta cuando la cadena de la sierra regresa a su posición después de jalarse 3 mm (1/8") desde la barra guía **4** con fuerza ligera del dedo medio y el pulgar como se muestra en la Fig. F. No debe haber "holgura" entre la barra guía y la cadena de la sierra en la parte inferior como se muestra en la Fig. G.
2. Para ajustar la tensión de la cadena de sierra, afloje las tuercas de bloqueo de la barra **8**.
3. Gire el tornillo de tensión de la cadena **9** en la parte delantera del alojamiento usando el extremo de destornillador plano de la llave.
4. Revise la tensión de la cadena de la sierra, ajuste si es necesario.
5. No tense demasiado la cadena de sierra ya que esto provocará un desgaste excesivo y reducirá la vida útil de la barra guía y la cadena de sierra. El exceso de tensión también reduce la cantidad de cortes que obtendrá por carga de la batería.
6. Una vez que la tensión de la cadena de la sierra sea correcta, apriete la tuerca de bloqueo de la barra **8** hasta que esté apretada.
7. Una cadena nueva se estira ligeramente durante las primeras horas de uso. Es importante revisar la tensión con frecuencia (después de desconectar la batería) durante las primeras 2 horas de uso.

Reemplazo de Cadena de la Sierra

(Fig. D, H)



ADVERTENCIA: Cadena móvil filosa. Para evitar una operación accidental, asegúrese que la batería se retire de la herramienta antes de realizar las siguientes operaciones. Si no lo hace, podría ocasionar lesiones personales graves.



ATENCIÓN: Cadena filosa. Siempre use guantes de protección cuando maneje la cadena. La cadena está afilada y puede cortarlo cuando no está funcionando.



ATENCIÓN: La velocidad de la cadena de este producto es de 4,5 m/s. Sólo use cadenas clasificadas para más de 4,5 m/s.

1. Coloque la sierra sobre una superficie plana y firme.
2. Retire la cubierta de la rueda dentada **6** como se describe en la sección **Instalación de barra guía y cadena de la sierra**.
3. Para retirar la cadena de la sierra **5**, gire el tornillo de tensión de la cadena **9** en la parte delantera del alojamiento con el destornillador plano de la llave. Girar el tornillo en sentido contrario a las manecillas del reloj permite que la barra guía **4** retroceda y reduzca la tensión en la cadena para que se pueda retirar.
4. Usando guantes de protección, sujete la cadena de sierra y levante la cadena de sierra desgastada fuera de la ranura en la barra guía.
5. Voltee la barra guía cada vez que reemplace la cadena para asegurar el desgaste uniforme.
6. Coloque la nueva cadena en la ranura de la barra guía, asegurándose que los dientes de la sierra estén en la dirección correcta haciendo coincidir la flecha y la gráfica de la cadena de la sierra en la cubierta de la rueda dentada **6** que se muestra en la Fig. H.
7. Siga las instrucciones para **Instalación de barra guía y la cadena de sierra**.

La cadena y la barra de repuesto están disponibles en su centro de servicio autorizado más cercano.

- Esta sierra de cadena requiere una cadena CMZCSC10 de 254 mm (10") de reemplazo. Barra CMZCSB10 de 254 mm (10") de reemplazo.

Cadena de Sierra y Lubricación de la Barra Guía (Fig. I)

Sistema de Lubricación Automática

Esta sierra de cadena está equipada con un sistema de lubricación automática que mantiene la cadena de la sierra y la barra guía constantemente lubricadas. El indicador de nivel de aceite **11** muestra el nivel de aceite en la sierra de cadena. Si el nivel de aceite está menos de un cuarto lleno, retire la batería de la sierra de cadena y rellénela con el tipo correcto de aceite. Siempre vacíe el tanque de aceite cuando termine de cortar.

NOTA: Use una barra de alta calidad y aceite de cadena para una lubricación adecuada de la cadena y la barra. Como un sustituto temporal, se puede usar un aceite de motor de peso SAE30 sin detergente. El uso de una barra de base vegetal y aceite de cadena se recomienda para podar árboles. El aceite

mineral no se recomienda porque puede dañar los árboles. Nunca utilice aceite de desecho o aceite muy espeso. Estos pueden dañar su sierra de cadena.

Llenado del Depósito de Aceite

1. Desatornille en sentido contrario a las manecillas del reloj y luego quite la tapa de aceite **10**. Llene el depósito con la barra recomendada y aceite de cadena hasta que el nivel de aceite haya alcanzado la parte superior del indicador de nivel de aceite **11**.
2. Vuelva a colocar la tapa del aceite y apriétela en el sentido de las manecillas del reloj.
3. Periódicamente, apague la sierra de cadena y verifique el indicador de nivel de aceite para asegurarse que la barra y la cadena estén correctamente lubricadas.

Transporte de la Sierra de Cadena (Fig. J)

- Siempre retire la batería o desconecte de la fuente de energía apague la unidad, y cubra la barra guía **4** con la vaina **12** cuando transporte la sierra.

OPERACIÓN



ADVERTENCIA: Para reducir el riesgo de lesiones personales, apague la unidad y retire el paquete de batería antes de realizar cualquier ajuste o retirar/instalar conexiones o accesorios.

Una activación de arranque accidental puede causar lesiones.

Instalación y desinstalación de Paquete de batería (Fig. E)

NOTA: Para mejores resultados, asegúrese que su paquete de batería esté completamente cargado.

Para instalar el paquete de batería **7** en la manija de la herramienta, alinee el paquete de la batería con los rieles dentro de la manija de la herramienta y deslícelo en la manija hasta que el paquete de batería esté asentado firmemente en la herramienta y asegúrese que no se desconecte.

Para retirar el paquete de batería de la herramienta, presione el botón de liberación **16** y jale firmemente el paquete de batería fuera de la manija de la herramienta. Insértelo en el cargador como se describe en la sección de cargador de este manual.

Colocación Adecuada de Manos (Fig. L)



ADVERTENCIA: Para reducir el riesgo de lesiones personales serias, **SIEMPRE** use la posición de las manos adecuada como se muestra.



ADVERTENCIA: Para reducir el riesgo de lesiones personales serias, **SIEMPRE** sostenga firmemente en anticipación de una reacción repentina.

La posición adecuada de las manos requiere la mano izquierda sobre la manija delantera **14**, con la mano derecha en la manija trasera **13**.

Operación de Sierra de Cadena (Fig. L)

⚠️ ADVERTENCIA: Lea y entienda todas las instrucciones. La falla en seguir todas las instrucciones siguientes puede resultar en descarga eléctrica, incendio y/o lesiones personales serias.

- Proteja contra retrocesos que pueden provocar lesiones graves o la muerte. Consulte las Instrucciones de seguridad importantes **Protección contra retroceso**, para evitar el riesgo de retroceso.
- No se estire. No corte por encima de la altura del pecho. Asegúrese que su equilibrio sea firme. Mantenga los pies separados. Divida su peso de manera uniforme en ambos pies.
- Utilice un agarre firme con su mano izquierda en la manija delantera **14** y su mano derecha en la manija trasera **13** para que su cuerpo quede a la izquierda de la barra guía.
- No sostenga la sierra de cadena por la protección de mano delantera **3**. Mantenga el codo del brazo izquierdo apoyado de forma que el brazo izquierdo quede recto para resistir un retroceso.

⚠️ ADVERTENCIA: Nunca use un agarre con la mano cruzada (la mano izquierda en la manija trasera y la mano derecha en la manija delantera).

⚠️ ADVERTENCIA: Nunca permita que ninguna parte de su cuerpo esté en línea con la barra guía **4** cuando opere la sierra de cadena.

- Nunca opere mientras está en un árbol, en una posición incómoda o en una escalera u otra superficie inestable. Puede perder el control de la sierra y causar lesiones graves.
- Mantenga la sierra de cadena funcionando a toda velocidad durante todo el tiempo que esté cortando.
- Permita que la cadena corte por usted. Ejercer sólo una ligera presión. No presione la sierra de cadena al final del corte.

⚠️ ADVERTENCIA: Cuando no esté en uso, siempre tenga el freno de cadena (si está equipado) conectado y la batería retirada.

INTERRUPTOR DE Encendido/Apagado (Fig. M)

Siempre asegure la posición de sus pies y sujete la sierra de cadena firmemente con ambas manos con el pulgar y los dedos rodeando ambas manijas.

1. Para encender la unidad, presione hacia abajo sobre la palanca de bloqueo de apagado **2**, mostrada en la Fig. M, y apriete el interruptor de gatillo **1**. Una vez que la unidad esté en operación, puede liberar la palanca de bloqueo de apagado.
2. Para mantener la unidad en operación, debe continuar oprimiendo el gatillo. Para apagar la unidad, libere el gatillo.

NOTA: Si se aplica demasiada fuerza mientras realiza un corte, la sierra se apagará. Para volver a arrancar la sierra, debe liberar la palanca de bloqueo de apagado **2** y el interruptor de gatillo **1** antes que vuelva a arrancar la sierra. Comience su corte de nuevo, esta vez con menos fuerza. Permita que la sierra corte a su propio ritmo.

⚠️ ADVERTENCIA: Nunca intente bloquear un interruptor en la posición ON.

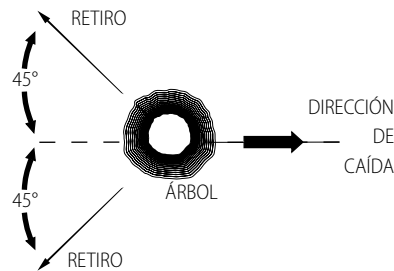
Técnicas Comunes de Corte

Tala

El proceso de talar un árbol. No tale árboles en condiciones de mucho viento.

⚠️ ADVERTENCIA: La tala puede provocar lesiones. Sólo se debe realizar por una persona capacitada.

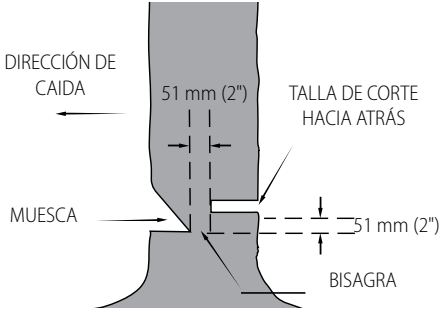
- Se debe planear y despejar una ruta de escape según sea necesario antes de comenzar los cortes. La trayectoria de escape debe extenderse hacia atrás y en diagonal hacia la parte posterior de la línea de caída prevista como se muestra a continuación.



- Antes de comenzar la tala, considere la inclinación natural del árbol, la ubicación de las ramas más grandes y la dirección del viento para determinar en qué dirección caerá el árbol. Tenga a mano cuñas (madera, plástico o aluminio) y un mazo pesado. Elimine la suciedad, las piedras, la corteza suelta, clavos, grapas y alambres del árbol donde se van a realizar los cortes.
- **Corte de muescas** - Realice la muesca 1/3 del diámetro del árbol, perpendicular a la dirección de la caída. Realice primero el corte de muesca horizontal inferior. Esto ayudará a evitar pellizcar la cadena de la sierra o la barra guía cuando se realice el segundo corte de muesca como se muestra a continuación.
- **Tala de corte hacia atrás** - Realice el corte hacia atrás por lo menos 51 mm (2") más alto que el corte de muesca horizontal. Mantenga el corte de tala paralelo al corte de muesca horizontal. Realice el corte de tala hacia atrás de forma que quede suficiente madera para actuar como bisagra. La madera de la bisagra evita que el árbol se biezga y caiga en la dirección incorrecta. No corte a través de la bisagra como se muestra a continuación.
- A medida que el corte de tala se acerca a la bisagra, el árbol debería comenzar a caer. Si existe la posibilidad de que el árbol no caiga en la dirección deseada o se balancee y adhiera a la cadena de la sierra, detenga el corte antes de que se complete el corte y use cuñas para

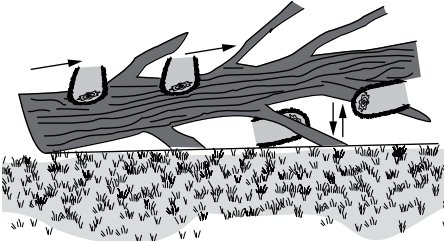
ESPAÑOL

abrir el corte y tirar el árbol a lo largo de la línea deseada de caída. Cuando el árbol comience a caer, retire la sierra de cadena del corte, pare el motor, baje la sierra de cadena y use el camino de escape planificado. Está alerta respecto a las ramas que caigan y observe su equilibrio.



Corte de Ramas

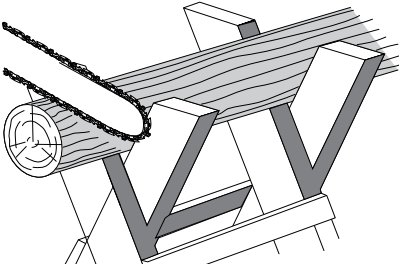
Retirar las ramas de un árbol caído. Al podar, deje las extremidades inferiores más grandes para soportar el tronco fuera del suelo. Retire las ramas pequeñas en un corte. Las ramas bajo tensión se deben cortar desde la parte inferior de la rama hacia la parte superior para evitar atascar la sierra de cadena como se muestra a continuación. Corte las ramas desde el lado opuesto manteniendo el tallo del árbol entre usted y la sierra. Nunca realice cortes con la sierra entre las piernas o sobre la extremidad a cortar.



Derribo

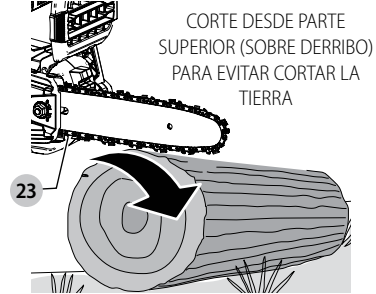
⚠ ADVERTENCIA: Recomiende que los usuarios primerizos practiquen el corte en un caballo de aserrar.

Cortando un árbol derribado o tronco en longitudes. Cómo debe cortar depende de cómo se soporta el tronco. Use un caballete de sierra siempre que sea posible como se muestra a continuación.

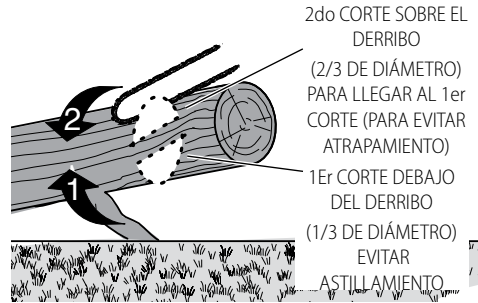


1. Siempre comience un corte con la cadena de sierra funcionando a toda velocidad.

2. Coloque la punta inferior **23** de la sierra de cadena detrás del área del corte inicial como se muestra a continuación.
3. Encienda la sierra de cadena, luego gire la cadena de sierra y barra hacia abajo en el árbol, utilizando la punta como una bisagra.
4. Una vez que la sierra de cadena alcanza un ángulo de 45°, nivele la sierra de cadena nuevamente y repita los pasos hasta que el corte sea completamente.
5. Cuando el árbol esté apoyado a lo largo de toda su longitud, haga un corte desde la parte superior (sobre derribo), pero evite cortar la tierra ya que esto eliminará el filo de su sierra rápidamente.



- Cuando se soporta en un extremo primero, corte 1/3 del diámetro de la parte inferior (debajo del derribo). Después realice el corte de acabado sobre el derribo para terminar con el primer corte como se muestra a continuación.



- Cuando se soporta en ambos extremos. Primero, corte 1/3 hacia abajo desde el borde superior. Luego realice el corte final debajo del derribo de los 2/3 inferiores para terminar con el primer corte como se muestra a continuación.



- Cuando esté en una pendiente, siempre párese en el lado cuesta arriba del tronco. Al "cortar a través", para mantener un control completo, reduzca la presión de corte cerca del final del corte sin relajar el agarre de las manijas de la sierra de cadena. No permita que la cadena toque el suelo. Después de completar el corte, espere que la cadena de sierra se detenga antes de mover la sierra de cadena. Siempre detenga el motor antes de pasar de un corte a otro.

MANTENIMIENTO



ADVERTENCIA: Para reducir el riesgo de lesiones personales, apague la unidad y retire el paquete de batería antes de realizar cualquier ajuste o retirar/instalar conexiones o accesorios.

Una activación de arranque accidental puede causar lesiones.

Limpieza



ADVERTENCIA: Sople la suciedad y el polvo de todos los conductos de ventilación con aire seco, al menos una vez por semana. Para reducir el riesgo de lesiones, utilice siempre protección para los ojos aprobada ANSI Z87.1 al realizar esta tarea.



ADVERTENCIA: Nunca utilice solventes ni otros químicos abrasivos para limpiar las piezas no metálicas de la herramienta. Estos productos químicos pueden debilitar los materiales plásticos utilizados en estas piezas. Utilice un paño humedecido sólo con agua y jabón neutro. Nunca permita que penetre líquido dentro de la herramienta ni sumerja ninguna de las piezas en un líquido.

Cadena de sierra y barra guía

Después de cada pocas horas de uso, retire la tapa de la rueda dentada, la barra guía y la cadena y límpielas completamente con un cepillo de cerdas suaves. Asegúrese que el orificio de aceitado en la barra esté limpio de desechos. Al reemplazar cadenas sin filo con cadenas afiladas, es una buena práctica voltear la barra de la cadena de abajo hacia arriba.

Accesorios



ADVERTENCIA: Debido a que no se han probado con este producto otros accesorios que no sean los que ofrece CRAFTSMAN, el uso de dichos accesorios con esta herramienta podría ser peligroso. Para reducir el riesgo de lesiones, con este producto deben usarse sólo los accesorios recomendados por CRAFTSMAN.

Los accesorios que se recomiendan para utilizar con la herramienta están disponibles a un costo adicional en su distribuidor local o en un centro de mantenimiento autorizado. Si necesita ayuda para localizar algún accesorio, póngase en contacto con CRAFTSMAN, llame al 1-888-331-4569.

Versatrack™ (Fig. J, Q)



ADVERTENCIA: Para reducir el riesgo de lesiones personales serias, apague la unidad y retire el paquete de batería antes de realizar cualquier

ajuste o retirar/instalar conexiones o accesorios.

Una activación de arranque puede causar lesiones.



ADVERTENCIA: Para reducir el riesgo de lesiones personales graves, no use un gancho para colgar integral Versatrack™ o Trackwall de Versatrack™ dañados. Un gancho para colgar integral Versatrack™ o Trackwall de Versatrack™ dañados no soportarán el peso de la herramienta.



ADVERTENCIA: Para reducir el riesgo de lesiones personales graves, NO suspenda la herramienta por encima ni cuelgue objetos del gancho integral. SÓLO suspenda la herramienta en el Trackwall de Versatrack™ con el gancho para colgar integral.



ADVERTENCIA: El gancho integral para colgar Versatrack™ está diseñado para montar la herramienta en un riel Trackwall de Versatrack™. No use el gancho de colgar integral para montar la herramienta en ninguna otra superficie.



ADVERTENCIA: El gancho de colgar integral Versatrack™ no es un gancho de cinturón.



ADVERTENCIA: Cuando cuelgue objetos en el riel Trackwall de Versatrack™, espacie adecuadamente las herramientas para no exceder 35 kg (75 lbs) por pie lineal.



ADVERTENCIA: Antes de usar la herramienta, asegúrese que el gancho de colgar integral Versatrack™ vuelva a su posición original.

IMPORTANTE: Los accesorios Versatrack™ se instalan en herramientas compatibles de forma segura en el sistema Trackwall de Versatrack™.

1. Apague la herramienta, retire el paquete de batería y retire los accesorios.
2. Instale la vaina de la barra guía **12** sobre la barra guía **4**.



ATENCIÓN: Cualquier producto con dientes de corte expuestos debe tenerlos cubiertos de forma segura si va a estar en el Trackwall de Versatrack™.

3. Voltee o abra el gancho de colgar integral **22**. Hace clic cuando está bloqueado en su posición.
4. Monte el gancho para colgar integral al Trackwall de Versatrack™.

NOTA: Los accesorios Versatrack™ para uso con su herramienta están disponibles por un costo adicional a partir de su distribuidor local o centro de servicio autorizado. Si necesita ayuda para localizar cualquier accesorio, póngase en contacto con CRAFTSMAN, llame al 1-888-331-4569.

Afilado de Cadena de Sierra (Fig. N–P)



ATENCIÓN: Cadena filosa. Siempre use guantes de protección cuando maneje la cadena. La cadena está afilada y puede cortarlo cuando no está funcionando.



ADVERTENCIA: Cadena móvil filosa. Para evitar una operación accidental, asegúrese que la batería se retire de la herramienta antes de realizar las siguientes operaciones. Si no lo hace, podría ocasionar lesiones personales graves.

NOTA: Los cortadores perderán filo inmediatamente si tocan el suelo o un clavo durante el corte.

ESPAÑOL

Para obtener el mejor rendimiento posible de su sierra de cadena, es importante mantener afilados los dientes de la cadena de sierra. Siga estos consejos útiles para el afilado adecuado de la cadena de sierra:

1. Para obtener los mejores resultados, use una lima de 4,5 mm y un soporte de lima o guía de lima para afilar su cadena de sierra. Esto garantizará que siempre obtenga los ángulos de afilado correctos.
2. Coloque el soporte de lima plano sobre la placa superior y el calibrador de profundidad del cortador.
3. Mantenga la línea correcta del ángulo de afilado de 30° de la placa superior **21** en su guía de afilado paralela a su cadena (afíle a 60° de la cadena vista desde el costado) como se muestra a continuación.

Afile los cortadores en un lado de la cadena primero.

Lime desde el interior de cada cortador hacia el exterior. Luego gire la sierra y repita los procesos (2, 3, 4) para los cortadores en el otro lado de la cadena.

NOTA: Use una lima plana para afilar las partes superiores de los rastrillos (parte del eslabón de la cadena en frente del cortador) para que estén a aproximadamente a 0,635 mm (0,025") por debajo de las puntas de los cortadores, como se muestra a continuación.

4. Mantenga todas las longitudes del cortador iguales como se muestra a continuación.
5. Si hay daños en la superficie cromada de las placas superiores o placas laterales, lime hasta que se elimine dicho daño.



ATENCIÓN: Después de limar, la cuchilla estará afilada, tenga especial cuidado durante este proceso.

NOTA: Cada vez que se afila la cadena, pierde algunas de las cualidades de retroceso bajo y se debe tener especial precaución. Se recomienda afilar una cadena de sierra no más de cuatro veces.

Reparaciones

El Cargador y las unidades de batería no pueden ser reparados. El cargador y la unidad de batería no contienen piezas reparables.



ADVERTENCIA: Para asegurar la **SEGURIDAD** y la **CONFIABILIDAD** del producto, las reparaciones, el mantenimiento y los ajustes (inclusive la inspección y el cambio de las escobillas, cuando proceda) deben ser realizados en un centro de mantenimiento en la fábrica CRAFTSMAN u en un centro de mantenimiento autorizado CRAFTSMAN. Utilice siempre piezas de repuesto idénticas.

Para reparación y servicio de sus herramientas eléctricas, favor de dirigirse al Centro de Servicio más cercano

CULIACAN, SIN

Bldv. Emiliano Zapata 5400-1 Poniente Col. (667) 717 89 99
San Rafael

GUADALAJARA, JAL

Av. La Paz #1779 - Col. Americana Sector (33) 3825 6978
Juárez

MEXICO, D.F.

Eje Central Lázaro Cárdenas No. 18 - Local (55) 5588 9377
D, Col. Obrera

MERIDA, YUC

Calle 63 #459-A - Col. Centro (999) 928 5038

MONTERREY, N.L.

Av. Francisco I. Madero 831 Poniente - Col. (818) 375 23 13
Centro

PUEBLA, PUE

17 Norte #205 - Col. Centro (222) 246 3714

QUERETARO, QRO

Av. San Roque 274 - Col. San Gregorio (442) 2 17 63 14

SAN LUIS POTOSI, SLP

Av. Universidad 1525 - Col. San Luis (444) 814 2383

TORREON, COAH

Bldv. Independencia, 96 Pte. - Col. Centro (871) 716 5265

VERACRUZ, VER

Prolongación Díaz Mirón #4280 - Col. (229) 921 7016
Remes

VILLAHERMOSA, TAB

Constitución 516-A - Col. Centro (993) 312 5111

PARA OTRAS LOCALIDADES:

Si se encuentra en México, por favor llame al (55) 5326 7100

Si se encuentra en U.S., por favor llame al 1-888-331-4569

Póliza de Garantía

IDENTIFICACIÓN DEL PRODUCTO:

Sello o firma del Distribuidor.

Nombre del producto: _____

Mod./Cat.: _____

Marca: _____

Núm. de serie: _____

(Datos para ser llenados por el distribuidor)

Fecha de compra y/o entrega del producto:

Nombre y domicilio del distribuidor donde se adquirió el producto:

Este producto está garantizado por un año a partir de la fecha de entrega, contra cualquier defecto en su funcionamiento, así como en materiales y mano de obra empleados para su fabricación. Nuestra garantía incluye la reparación o reposición del producto y/o componentes sin cargo alguno para el cliente, incluyendo mano de obra, así como los gastos de transportación razonablemente erogados derivados del cumplimiento de este certificado.

Para hacer efectiva esta garantía deberá presentar su herramienta y esta póliza sellada por el establecimiento

comercial donde se adquirió el producto, de no contar con ésta, bastará la factura de compra.

Excepciones

Esta garantía no será válida en los siguientes casos:

- Cuando el producto se hubiese utilizado en condiciones distintas a las normales;
- Cuando el producto no hubiese sido operado de acuerdo con el instructivo de uso que se acompaña;
- Cuando el producto hubiese sido alterado o reparado por personas distintas a las enlistadas al final de este certificado.

Anexo encontrará una relación de sucursales de servicio de fábrica, centros de servicio autorizados y franquiciados en la República Mexicana, donde podrá hacer efectiva su garantía y adquirir partes, refacciones y accesorios originales.

Solamente para propósito de México:

Importado por: Craftsman. Tool Co. S.A. de C.V.
Avenida Antonio Dovali Jaime, # 70 Torre B Piso 9
Colonia La Fe, Santa Fé
Código Postal : 01210 Delegación Alvaro Obregón
México D.F.

Tel. (52) 555-326-7100 R.F.C.: BDE810626-1W7

Registro en Línea

Gracias por su compra. Registre su producto ahora para:

- **SERVICIO EN GARANTÍA:** Si completa esta tarjeta, podrá obtener un servicio en garantía más eficiente, en caso de que exista un problema con su producto.
- **CONFIRMACIÓN DE PROPIEDAD:** En caso de una pérdida que cubra el seguro, como un incendio, una inundación o un robo, el registro de propiedad servirá como comprobante de compra.
- **PARA SU SEGURIDAD:** Si registra el producto, podremos comunicarnos con usted en el caso improbable que se deba enviar una notificación de seguridad conforme a la Federal Consumer Safety Act (Ley Federal de Seguridad de Productos para el Consumidor).
- Registro en línea en www.craftsman.com/registration.

Garantía Limitada por Tres Años

CRAFTSMAN reparará o reemplazará, sin cargo, cualquier defecto debido a materiales o mano de obra defectuosos por tres años desde la fecha de compra (dos años para las baterías). Esta garantía no cubre falla de partes debido al desgaste normal o abuso de la herramienta. Para detalles adicionales de la cobertura de la garantía e información de reparación de garantía, visite www.craftsman.com o llame al **1-888-331-4569**. Esta garantía no se aplica a accesorios o daño causado cuando otros hayan realizado o intentado reparaciones. ESTA GARANTÍA LIMITADA SE OTORGA EN LUGAR DE TODAS LAS DEMÁS, INCLUIDA LA GARANTÍA IMPLÍCITA DE COMERCIABILIDAD E IDONEIDAD PARA UN PROPÓSITO EN PARTICULAR, Y EXCLUYE TODOS LOS DAÑOS INCIDENTALES O EN CONSECUENCIA. Algunos estados no permiten limitaciones sobre la duración de una garantía

implícita o la exclusión o limitación de daños incidentales o en consecuencia, por lo que estas limitaciones pueden no aplicarse en su caso. Esta garantía le da derechos legales específicos y puede tener otros derechos que varían en ciertos estados o provincias.

2 AÑOS DE SERVICIO GRATUITO PARA UNIDADES DE ALIMENTACIÓN CRAFTSMAN

CMCB201, CMCB2011

3 AÑOS DE SERVICIO GRATUITO PARA UNIDADES DE ALIMENTACIÓN CRAFTSMAN

CMCB202, CMCB204

NOTA: La garantía del producto quedará nula si la unidad de batería ha sido alterada de cualquier manera. CRAFTSMAN no es responsable de ninguna lesión causada por alteraciones y podría iniciar un procedimiento judicial por fraude de garantía hasta el máximo grado permisible por la ley.

GARANTÍA DE REEMBOLSO DE SU DINERO POR 90 DÍAS

Si no está completamente satisfecho con el desempeño de su máquina herramienta o clavadora CRAFTSMAN, cualquiera sea el motivo, podrá devolverlo hasta 90 días de la fecha de compra con su recibo y obtener el reembolso completo de su dinero – sin necesidad de responder a ninguna pregunta.

AMÉRICA LATINA: Esta garantía no se aplica a los productos que se venden en América Latina. Para los productos que se venden en América Latina, debe consultar la información de la garantía específica del país que viene en el empaque, llamar a la compañía local o visitar el sitio Web a fin de obtener esa información.

REEMPLAZO GRATUITO DE LAS ETIQUETAS DE

ADVERTENCIA: Si sus etiquetas de advertencia se vuelven ilegibles o faltan, llame al **1-888-331-4569** para que se le reemplacen gratuitamente.

**Compatible battery packs and chargers / Blocs-piles et chargeurs compatibles /
Baterías y cargadores compatibles**

20V Max* Li-Ion	Battery Packs Bloc-piles Baterías	CMCB201, CMCB2011, CMCB202, CMCB204, CMCB2015, CMCB205, CMCB206
	Chargers Chargeurs Cargadores	CMCB100, CMCB102, CMCB104, CMCB1104, CMCB124

* Maximum initial battery voltage (measured without a workload) is 20 volts. Nominal voltage is 18.

* La tension initiale maximum du bloc-piles (mesurée à vide) est de 20 volts. La tension nominale est de 18.

* El máximo voltaje inicial de la batería (medido sin carga de trabajo) es 20 voltios. El voltaje nominal es de 18.



WARNING: Use of any other battery packs may create a risk of injury and fire.



AVERTISSEMENT : utiliser d'autres blocs-piles peut créer un risque de blessure ou d'incendie.



ADVERTENCIA: El uso de cualquier otro paquete de batería puede crear un riesgo de lesiones e incendio.