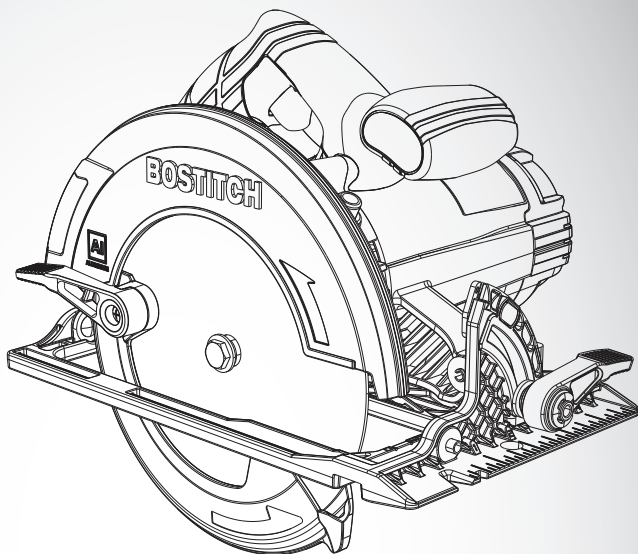


www.BOSTITCH.com

BOSTITCH®

Instruction manual
Manuel d'instructions
Manual de instrucciones

BTE300



15A

7-1/4" (184mm), 15 AMP Circular Saw

Scie circulaire 7-1/4" (184mm), 15 Ampère

Sierras circulares de 184mm (7-1/4"), 15 amperios

INSTRUCTIVO DE OPERACIÓN, CENTROS DE SERVICIO Y PÓLIZA DE GARANTÍA.

⚠ ADVERTENCIA: LÉASE ESTE INSTRUCTIVO ANTES DE USAR EL PRODUCTO.

SAFETY GUIDELINES - DEFINITIONS

It is important for you to read and understand this manual. The information it contains relates to protecting YOUR SAFETY and PREVENTING PROBLEMS. The symbols below are used to help you recognize this information.

⚠ DANGER: Indicates an imminently hazardous situation which, if not avoided, will result in death or serious injury.

⚠ WARNING: Indicates a potentially hazardous situation which, if not avoided, could result in death or serious injury.

⚠ CAUTION: Indicates a potentially hazardous situation which, if not avoided, may result in minor or moderate injury.

NOTICE: Used without the safety alert symbol indicates potentially hazardous situation which, if not avoided, may result in property damage.

General Power Tool Safety Warnings

⚠ WARNING: Read all safety warnings and all instructions. Failure to follow the warnings and instructions may result in electric shock, fire and/or serious injury.

SAVE ALL WARNINGS AND INSTRUCTIONS FOR FUTURE REFERENCE
The term "power tool" in the warnings refers to your mains-operated (corded) power tool or battery-operated (cordless) power tool.

1) WORK AREA SAFETY

- a) **Keep work area clean and well lit.** Cluttered or dark areas invite accidents.
- b) **Do not operate power tools in explosive atmospheres, such as in the presence of flammable liquids, gases or dust.** Power tools create sparks which may ignite the dust or fumes.
- c) **Keep children and bystanders away while operating a power tool.**
Distractions can cause you to lose control.

2) ELECTRICAL SAFETY

- a) **Power tool plugs must match the outlet. Never modify the plug in any way. Do not use any adapter plugs with earthed (grounded) power tools.**
Unmodified plugs and matching outlets will reduce risk of electric shock.
- b) **Avoid body contact with earthed or grounded surfaces such as pipes, radiators, ranges and refrigerators.** There is an increased risk of electric shock if your body is earthed or grounded.
- c) **Do not expose power tools to rain or wet conditions.** Water entering a power tool will increase the risk of electric shock.
- d) **Do not abuse the cord. Never use the cord for carrying, pulling or unplugging the power tool. Keep cord away from heat, oil, sharp edges or moving parts.** Damaged or entangled cords increase the risk of electric shock.
- e) **When operating a power tool outdoors, use an extension cord suitable for outdoor use.** Use of a cord suitable for outdoor use reduces the risk of electric shock.
- f) **If operating a power tool in a damp location is unavoidable, use a ground fault circuit interrupter (GFCI) protected supply.** Use of a GFCI reduces the risk of electric shock.

3) PERSONAL SAFETY

- a) **Stay alert, watch what you are doing and use common sense when operating a power tool. Do not use a power tool while you are tired or under the influence of drugs, alcohol or medication.** A moment of inattention while operating power tools may result in serious personal injury.
- b) **Use personal protective equipment. Always wear eye protection.** Protective equipment such as dust mask, nonskid safety shoes, hard hat, or hearing protection used for appropriate conditions will reduce personal injuries.
- c) **Prevent unintentional starting. Ensure the switch is in the off position before connecting to power source and/ or battery pack, picking up or carrying the tool.** Carrying power tools with your finger on the switch or energizing power tools that have the switch on invites accidents.
- d) **Remove any adjusting key or wrench before turning the power tool on.** A wrench or a key left attached to a rotating part of the power tool may result in personal injury.
- e) **Do not overreach. Keep proper footing and balance at all times.** This enables better control of the power tool in unexpected situations.

- f) **Dress properly. Do not wear loose clothing or jewelry. Keep your hair, clothing and gloves away from moving parts.** *Loose clothes, jewelry or long hair can be caught in moving parts.*
- g) **If devices are provided for the connection of dust extraction and collection facilities, ensure these are connected and properly used.** *Use of dust collection can reduce dust-related hazards.*
- 4) POWER TOOL USE AND CARE**
- a) **Do not force the power tool. Use the correct power tool for your application.** *The correct power tool will do the job better and safer at the rate for which it was designed.*
- b) **Do not use the power tool if the switch does not turn it on and off.** *Any power tool that cannot be controlled with the switch is dangerous and must be repaired.*
- c) **Disconnect the plug from the power source and/or the battery pack from the power tool before making any adjustments, changing accessories, or storing power tools.** *Such preventive safety measures reduce the risk of starting the power tool accidentally.*
- d) **Store idle power tools out of the reach of children and do not allow persons unfamiliar with the power tool or these instructions to operate the power tool.** *Power tools are dangerous in the hands of untrained users.*
- e) **Maintain power tools. Check for misalignment or binding of moving parts, breakage of parts and any other condition that may affect the power tool's operation. If damaged, have the power tool repaired before use.** *Many accidents are caused by poorly maintained power tools.*
- f) **Keep cutting tools sharp and clean.** *Properly maintained cutting tools with sharp cutting edges are less likely to bind and are easier to control.*
- g) **Use the power tool, accessories and tool bits, etc. in accordance with these instructions, taking into account the working conditions and the work to be performed.** *Use of the power tool for operations different from those intended could result in a hazardous situation.*
- 5) SERVICE**
- a) **Have your power tool serviced by a qualified repair person using only identical replacement parts.** *This will ensure that the safety of the power tool is maintained.*

ADDITIONAL SPECIFIC SAFETY RULES

SAFETY INSTRUCTIONS FOR ALL SAWS

⚠️ DANGER:

- a) **Keep hands away from cutting area and the blade. Keep your second hand on auxiliary handle or motor housing.** *If both hands are holding the saw, they cannot be cut by the blade.*
- b) **Do not reach underneath the workpiece.** *The guard cannot protect you from the blade below the workpiece.*
- c) **Adjust the cutting depth to the thickness of the workpiece.** *Less than a full tooth of the blade teeth should be visible below the workpiece.*
- d) **Never hold piece being cut in your hands or across your leg. Secure the workpiece to a stable platform.** *It is important to support the work properly to minimize body exposure, blade binding, or loss of control.*
- e) **Hold power tool by insulated gripping surfaces when performing an operation where the cutting tool may contact hidden wiring or its own cord.** *Contact with a "live" wire will also make exposed metal parts of the power tool "live" and shock the operator.*
- f) **When ripping always use a rip fence or straight edge guide.** *This improves the accuracy of cut and reduces the chance of blade binding.*
- g) **Always use blades with correct size and shape (diamond versus round) of arbour holes.** *Blades that do not match the mounting hardware of the saw will run eccentrically, causing loss of control.*
- h) **Never use damaged or incorrect blade washers or bolt.** *The blade washers and bolt were specially designed for your saw, for optimum performance and safety of operation.*

CAUSES AND OPERATOR PREVENTION OF KICKBACK:

- Kickback is a sudden reaction to a pinched, bound or misaligned saw blade, causing an uncontrolled saw to lift up and out of the workpiece toward the operator.
- When the blade is pinched or bound tightly by the kerf closing down, the blade stalls and the motor reaction drives the unit rapidly back toward the operator.
- If the blade becomes twisted or misaligned in the cut, the teeth at the back edge of the blade can dig into the top surface of the wood causing the blade to climb out of the kerf and jump back toward the operator.

Kickback is the result of saw misuse and/or incorrect operating procedures or conditions and can be avoided by taking proper precautions as given below:

- a) **Maintain a firm grip with both hands on the saw and position your arms to resist kickback forces. Position your body to either side of the blade, but not in line with the blade.** *Kickback could cause the saw to jump backwards, but kickback forces can be controlled by the operator, if proper precautions are taken.*
- b) **When blade is binding, or when interrupting a cut for any reason, release the trigger and hold the saw motionless in the material until the blade comes to a complete stop. Never attempt to remove the saw from the work or pull the saw backward while the blade is in motion or kickback may occur.** *Investigate and take corrective actions to eliminate the cause of blade binding.*
- c) **When restarting a saw in the workpiece, center the saw blade in the kerf and check that saw teeth are not engaged into the material.** *If saw blade is binding, it may walk up or kickback from the workpiece as the saw is restarted.*
- d) **Support large panels to minimize the risk of blade pinching and kickback.** *Large panels tend to sag under their own weight. Supports must be placed under the panel on both sides, near the line of cut and near the edge of the panel.*
- e) **Do not use dull or damaged blades.** *Unsharpened or improperly set blades produce narrow kerf causing excessive friction, blade binding and kickback.*
- f) **Blade depth and bevel adjusting locking levers must be tight and secure before making cut.** *If blade adjustment shifts while cutting, it may cause binding and kickback.*
- g) **Use extra caution when making a “plunge cut” into existing walls or other blind areas.** *The protruding blade may cut objects that can cause kickback.*

LOWER GUARD SAFETY INSTRUCTIONS

- a) **Check lower guard for proper closing before each use. Do not operate the saw if lower guard does not move freely and close instantly. Never clamp or tie the lower guard into the open position.** *If saw is accidentally dropped, lower guard may be bent. Raise the lower guard with the retracting handle and make sure it moves freely and does not touch the blade or any other part, in all angles and depths of cut.*
- b) **Check the operation of the lower guard spring. If the guard and the spring are not operating properly, they must be serviced before use.** *Lower guard may operate sluggishly due to damaged parts, gummy deposits, or a buildup of debris.*
- c) **Lower guard should be retracted manually only for special cuts such as “plunge cuts” and “compound cuts.” Raise lower guard by retracting handle and as soon as blade enters the material, the lower guard must be released.** *For all other sawing, the lower guard should operate automatically.*
- d) **Always observe that the lower guard is covering the blade before placing saw down on bench or floor.** *An unprotected, coasting blade will cause the saw to walk backwards, cutting whatever is in its path. Be aware of the time it takes for the blade to stop after switch is released.*

ADDITIONAL SAFETY INSTRUCTIONS

- **Use clamps or another practical way to secure and support the workpiece to a stable platform.** Holding the work by hand or against your body leaves it unstable and may lead to loss of control.
- **Keep your body positioned to either side of the blade, but not in line with the saw blade.** *KICKBACK could cause the saw to jump backwards (see Causes and Operator Prevention of Kickback and KICKBACK).*
- **Avoid cutting nails. Inspect for and remove all nails from lumber before cutting.**
- **Always make sure nothing interferes with the movement of the lower blade guard.**
- **Accessories must be rated for at least the speed recommended on the tool warning label.** *Wheels and other accessories running over rated speed can fly apart and cause injury. Accessory ratings must always be above tool speed as shown on tool nameplate.*
- *Always make sure the saw is clean before using.*
- *Stop using this saw and have it properly serviced if any unusual noise or abnormal operation occurs.*
- *Always be sure all components are mounted properly and securely before using tool.*
- *Always handle the saw blade with care when mounting or removing it or when removing the diamond knockout.*
- *Always wait until the motor has reached full speed before starting a cut.*
- *Always keep handles dry, clean and free of oil and grease. Hold the tool firmly with both hands when in use.*

- Always be alert at all times, especially during repetitive, monotonous operations. Always be sure of position of your hands relative to the blade.
- Stay clear of end pieces that may fall after cutting off. They may be hot, sharp and/or heavy. Serious personal injury may result.
- Replace or repair damaged cords. Make sure your extension cord is in good condition. Use only 3-wire extension cords that have 3-prong grounding-type plugs and 3-pole receptacles that accept the tool's plug.
- **An extension cord must have adequate wire size (AWG or American Wire Gauge) for safety.** The smaller the gauge number of the wire, the greater the capacity of the cable, that is 16 gauge has more capacity than 18 gauge. An undersized cord will cause a drop in line voltage resulting in loss of power and overheating. When using more than one extension to make up the total length, be sure each individual extension contains at least the minimum wire size. The following table shows the correct size to use depending on cord length and nameplate ampere rating. If in doubt, use the next heavier gauge. The smaller the gauge number, the heavier the cord.

Volts	Minimum Gauge for Cord Sets				
	Total Length of Cord in Feet				
120V	0-25	26-50	51-100	101-150	
	(0-7,6m)	(7,6-15,2m)	(15,2-30,4m)	(30,4-45,7m)	
240V	0-50	51-100	101-200	201-300	
	(0-15,2m)	(15,2-30,4m)	(30,4-60,9m)	(60,9-91,4m)	
Ampere Rating		American Wire Gauge			
More Than	Not more Than				
0 -	6	18	16	16	14
6 -	10	18	16	14	12
10 -	12	16	16	14	12
12 -	16	14	12	Not Recommended	

⚠ CAUTION: *Blades coast after turn off. Serious personal injury may result.*

⚠ WARNING: **ALWAYS wear proper personal hearing protection that conforms to ANSI S12.6 (S3.19) during use.** *Under some conditions and duration of use, noise from this product may contribute to hearing loss.*

⚠ WARNING: **ALWAYS use proper eye protection.** *All users and bystanders must wear proper eye protection that conforms to ANSI Z87.1.*

⚠ WARNING: **ALWAYS USE SAFETY GLASSES.** *Everyday eyeglasses are NOT safety glasses. Also use face or dust mask if cutting operation is dusty.*

ALWAYS wear certified safety equipment:

- ANSI Z87.1 eye protection (CAN/CSA Z94.3).
- ANSI S12.6 (S3.19) hearing protection.
- NIOSH/OSHA respiratory protection.

⚠ WARNING: *Some dust created by power sanding, sawing, grinding, drilling, and other construction activities contains chemicals known in the state of California to cause cancer, birth defects or other reproductive harm. Some examples of these chemicals are:*

- Lead from lead-based paints, crystalline silica from bricks and cement and other masonry products, and arsenic and chromium from chemically-treated lumber (CCA).

Your risk from these exposures varies, depending on how often you do this type of work.

To reduce your exposure to these chemicals: work in a well ventilated area, and work with approved safety equipment, such as those dust masks that are specially designed to filter out microscopic particles.

- **Avoid prolonged contact with dust from power sanding, sawing, grinding, drilling, and other construction activities. Wear protective clothing and wash exposed areas with soap and water.** *Allowing dust to get into your mouth, eyes, or lay on the skin may promote absorption of harmful chemicals.*

⚠ WARNING: *Use of this tool can generate and/or disburse dust, which may cause serious and permanent respiratory or other injury. Always use NIOSH/OSHA approved respiratory protection appropriate for the dust exposure. Direct particles away from face and body. Always operate tool in well-ventilated area and provide for proper dust removal. Use dust collection system wherever possible.*

SYMBOLS

- The label on your tool may include the following symbols. The symbols and their definitions are as follows:

V.....volts

Hz.....hertz

min.....minutes

—|—|.....direct current

Ⓛ.....Class I Construction
(grounded)

□.....Class II Construction
(double insulated)

📖.....Read instruction manual before use

👁.....Use proper eye protection

A.....amperes

W.....watts

~.....alternating current

n₀.....no load speed

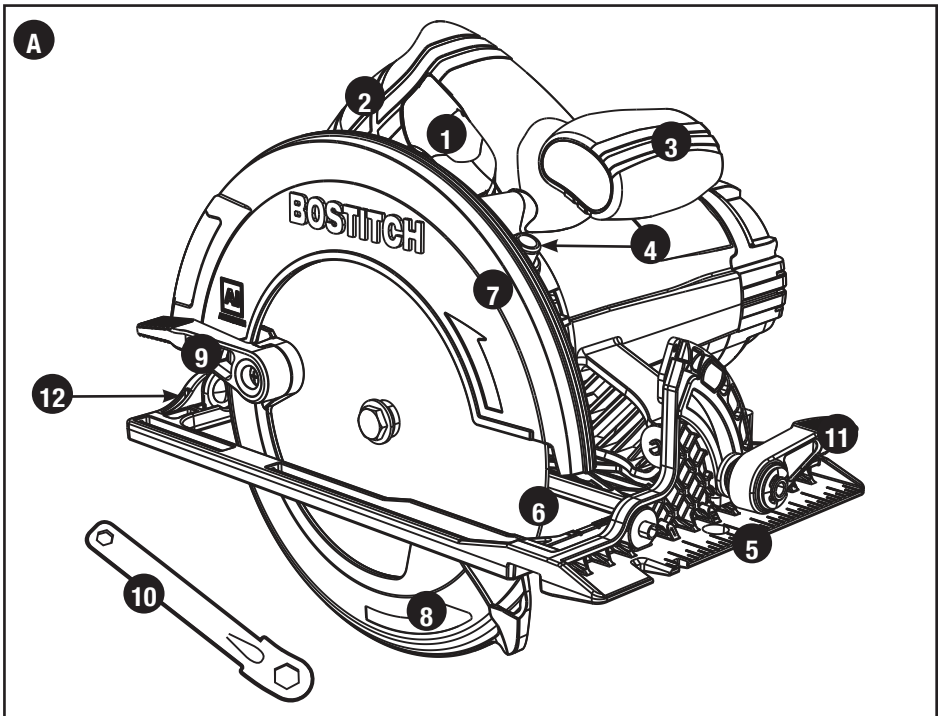
⊕.....earthing terminal

⚠.....safety alert symbol

.../min.....revolutions or reciprocation
per minute

👤.....Use proper respiratory protection

👂.....Use proper hearing protection

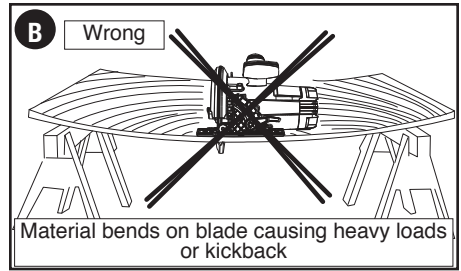


FUNCTIONAL DESCRIPTION (Figure A)

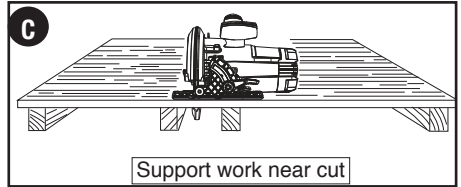
- | | |
|------------------------|---------------------------------|
| 1. On/off switch | 7. Upper saw blade guard |
| 2. Main handle | 8. Lower saw blade guard |
| 3. Auxiliary handle | 9. Blade guard retracting lever |
| 4. Spindle lock button | 10. Saw blade wrench |
| 5. Shoe | 11. Bevel adjustment lever |
| 6. Saw blade | 12. Depth adjustment lever |

SUPPORTING LARGE PANELS / SECURING WORKPIECE

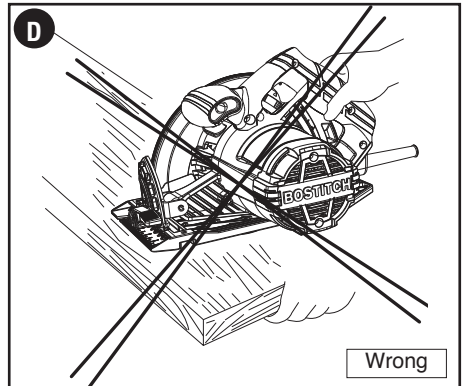
Support large panels to minimize the risk of blade pinching and kickback. Large panels tend to sag under their own weight as shown in **figure B**.



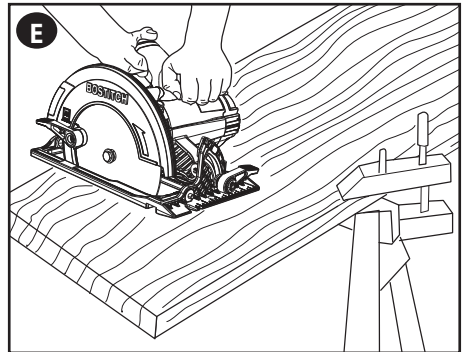
Supports must be placed under the panel on both sides, near the line of cut and near the edge of the panel (**figure C**).



Never hold piece being cut in your hands or across your leg (**figure D**).



Secure the workpiece to a stable platform as shown in **figure E**. It is important to support the work properly to minimize body exposure, blade binding, or loss of control.



INTENDED USE

These circular saws are designed for professional wood cutting applications.

⚠ WARNING: DO NOT use water feed attachments with this saw.

⚠ WARNING: DO NOT use abrasive wheels or blades.

⚠ WARNING: DO NOT use under wet conditions or in presence of flammable liquids or gases.

ASSEMBLY/ SET-UP

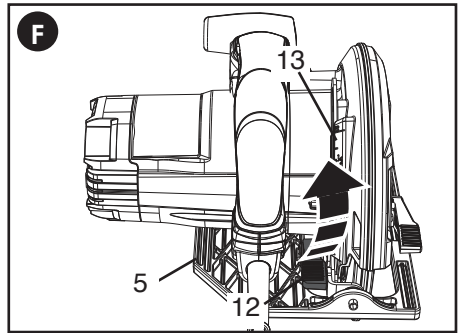
⚠ WARNING: Always unplug saw from power supply before any of the following operations.

⚠ WARNING: Never modify the power tool or any part of it. Damage or personal injury could result.

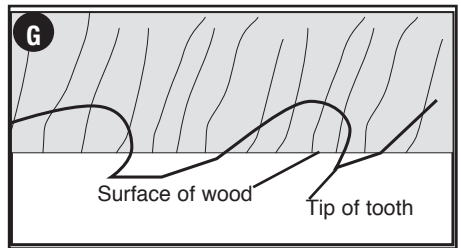
ADJUSTING THE DEPTH OF CUT(FIGURE F & G)

The depth of cut should be set according to the thickness of the workpiece.

- Loosen the lever (12) to unlock the saw shoe (5)
- Move the saw shoe (5) into the desired position. The corresponding depth of cut can be read from the scale (13).
- Tighten the lever to lock the saw shoe in place.



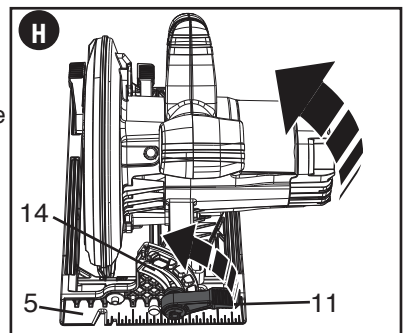
- Set depth adjustment of saw such that one half of a tooth of the blade projects below the workpiece as shown in figure G. Setting the saw at the proper cutting depth keeps blade friction to a minimum, removes sawdust from between the blade teeth, results in cooler, faster sawing and reduces the chance of kickback.



ADJUSTING THE BEVEL ANGLE (FIGURE H)

The BTE300 can be set to bevel angles between 0° and 55°.

- Loosen the bevel locking lever (11) to unlock the saw shoe (5).
- Move the saw into the desired position. The corresponding bevel angle can be read from the scale (14).
- Tighten the locking lever to lock the saw in place.



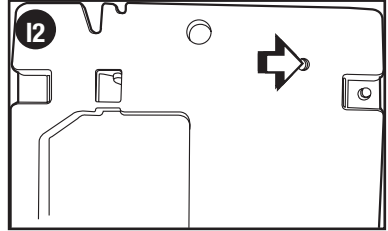
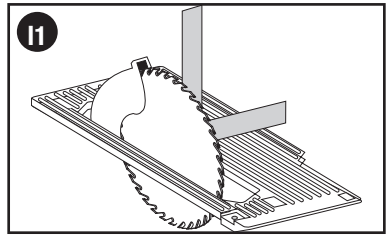
SHOE ADJUSTMENT

⚠WARNING: ALWAYS TURN OFF AND DISCONNECT TOOL BEFORE CHANGING ACCESSORIES OR MAKING ANY ADJUSTMENTS.

Your shoe has been factory set to assure that the blade is perpendicular to the shoe. If after extended use, you need to re-align the blade follow the directions below:

ADJUSTING FOR 90 DEGREE CUTS

1. Return the saw to 0 degrees bevel.
2. Place the saw on its side, and retract the lower guard.
3. Loosen the bevel adjustment lever (11). Place a square against the blade and the shoe as shown in **figure I1**.
4. Using a hex wrench, turn the set screw on the underside of the shoe shown in **figure I2** until the blade and the shoe are both in flush contact with the square. Retighten the bevel adjustment lever.

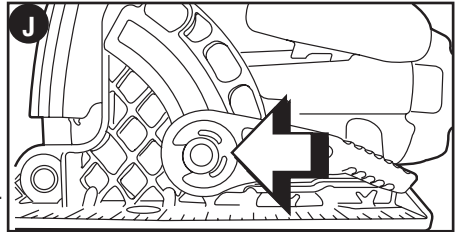


MAKING ADJUSTMENTS TO THE DEPTH AND BEVEL LEVERS - (FIGURE J)

It may be desirable to adjust the depth adjustment lever or the bevel adjustment lever. They may loosen in time and hit the shoe before tightening.

To adjust the levers, follow the steps below:

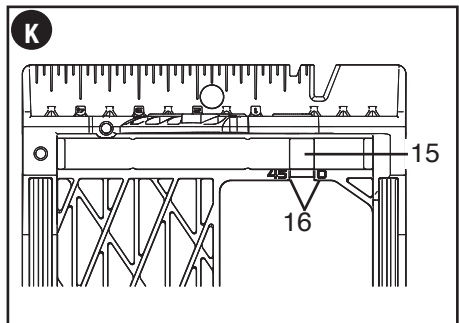
- Remove retaining ring (shown in **figure J**) and thin flat washer. Retain for reassembly.
- Remove the lever and rotate the lever one position counter clockwise and slide lever into feature.
- Reinstall flat washer and lock ring with the concave side against the lever.



KERF INDICATOR (FIGURE K)

The front of the saw shoe has a kerf indicator for vertical and bevel cutting. This indicator enables you to guide the saw along cutting lines penciled on the material being cut. The indicator lines up with the left (inner) side of the saw blade, which makes the slot or "kerf" cut by the moving blade fall to the right of the indicator.

Additionally, the BTE300 has 0 and 45 degree visual indicators - the corresponding left and right sides of the window in the rip fence slot (see item 15 in **Fig. K**), and also labeled 0 and 45 degree indicators just in front of the blade kerf (see item 16 in **Fig. K**). Note that the upper guard has been removed from **Fig. K** for clarity.

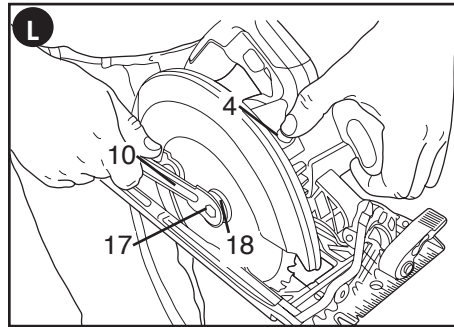


Note that the upper guard has been removed from **Fig. K** for clarity.

ATTACHING AND REMOVING THE BLADE REMOVING THE BLADE (FIGURE L)

- Keep the spindle lock button (4) depressed and rotate the blade until the spindle lock engages.
- Loosen and remove the blade retaining screw (17) by turning it counterclockwise using the wrench (10) supplied.
- Remove the outer washer (18).
- Remove the saw blade (6).

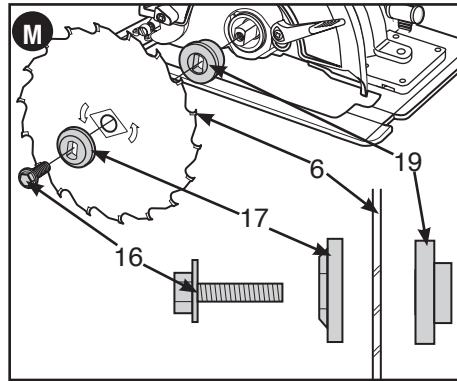
NOTE: Do not remove the inner washer (19) in figure M.



ATTACHING THE BLADE (FIGURE M)

- Using the lower blade guard retracting lever, retract the lower blade guard.
- Place the saw blade (6), on the spindle shaft, making sure that the arrow on the blade points in the same direction as the arrow on the tool. Release lower guard lever.
- Fit the outer washer (17) on the spindle, with the larger flat surface against the blade.
- Insert the blade retaining screw (16) into the hole.
- Keep the spindle lock button (4) depressed.
- Securely tighten the blade retaining screw by turning it clockwise using the wrench (10) supplied.

NOTE: The inner flange (19), should not be removed. If it is removed, replace it as shown in figure M.



LOWER BLADE GUARD

⚠ WARNING: The lower blade guard is a safety feature which reduces the risk of serious personal injury. Never use the saw if the lower guard is missing, damaged, misassembled or not working properly. Do not rely on the lower blade guard to protect you under all circumstances. Your safety depends on following all warnings and precautions as well as proper operation of the saw. Check lower guard for proper closing before each use as outlined in Additional Specific Safety Rules. If the lower blade guard is missing or not working properly, have the saw serviced before using. To assure product safety and reliability, repair, maintenance and adjustment should be performed by an authorized service center or other qualified service organization, always using identical replacement parts.

⚠ WARNING: To reduce the risk of serious personal injury, read, understand and follow all important safety warnings and instructions prior to using tool.

GENERAL CUTS (IMPORTANT: READ SAFETY WARNINGS AND INSTRUCTIONS.) GUARD AGAINST KICKBACK

With unit unplugged, follow all assembly, adjustment and set up instructions.

Make sure lower guard operates. Select the proper blade for the material to be cut.

- Measure and mark work for cutting.
- Support and secure work properly (See Safety Rules and Instructions).
- Use appropriate and required safety equipment (See Safety Rules).
- Secure and maintain work area (See Safety Rules).
- With plug inserted and guard closed, make sure switch turns saw on and off.

⚠ WARNING: It is important to support the work properly and to hold the saw firmly to prevent loss of control which could cause personal injury. **Figure E** illustrates recommended hand position.

ATTACHING AND REMOVING A RIP FENCE (FIGURE N)

A rip fence (not included - available at extra cost) is used to saw in a straight line parallel to the edge of the workpiece.

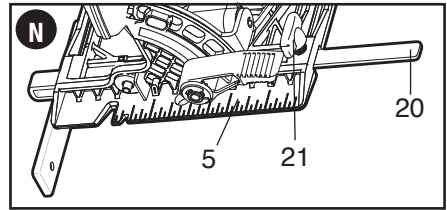
ATTACHING

- Insert the rip fence (20) through the openings in the shoe (5).
- Slide the rip fence into the desired position.
- Screw in locking knob (21) and tighten.

REMOVING

- Loosen the locking knob (21).
- Pull the rip fence out of the tool.

NOTE: If you do not have a proper fitting fence, use a straight edge guide in contact with the edge of the shoe to improve accuracy of cut and reduce the possibility of binding and kickback.



OPERATION

To reduce the risk of serious personal injury, turn tool off and disconnect tool from power source before making any adjustments or removing/installing attachments or accessories.

⚠ WARNING: IMPORTANT: Always make sure the depth adjustment is securely tightened before operating saw.

SWITCH

- To operate the tool, depress the trigger switch (1) in **figure A**. The tool will continue to run as long as the trigger is depressed.
- To turn the tool off, release the trigger switch (1). There is no provision for locking the tool on, and the switch should never be locked on by any other means.

SAWING

⚠ WARNING: To reduce the risk of personal injury, always hold saw firmly with both hands on the handles.

⚠ WARNING: Never attempt to use this tool by resting it upside down on a work surface and bringing the material to the tool. Always securely clamp the workpiece and bring the tool to the workpiece, securely holding the tool with two hands as shown in **Figure E**.

Place the wider portion of the saw foot plate on that part of the work piece which is solidly supported, not on the section that will fall off when the cut is made. As examples, **Figure E** illustrates the RIGHT way to cut off the end of a board. Always clamp work. Don't try to hold short pieces by hand! Remember to support cantilevered and overhanging material. Use caution when sawing material from below.

Be sure saw is up to full speed before blade contacts material to be cut. Starting saw with blade against material to be cut or pushed forward into kerf can result in kickback. Push the saw forward at a speed which allows the blade to cut without laboring.

Hardness and toughness can vary even in the same piece of material, and knotty or damp sections can put a heavy load on the saw. When this happens, push the saw more slowly, but hard enough to keep working without much decrease in speed. Forcing the saw can cause rough cuts, inaccuracy, kickback, and over-heating of the motor. Should your cut begin to go off the line, don't try to force it back on. Release the switch and allow blade to come to a complete stop. Then you can withdraw the saw, sight anew, and start a new cut slightly inside the wrong one. In any event, withdraw the saw if you must shift the cut. Forcing a correction inside the cut can stall the saw and lead to kickback.

IF SAW STALLS, RELEASE THE TRIGGER AND BACK THE SAW UNTIL IT IS LOOSE. BE SURE BLADE IS STRAIGHT IN THE CUT AND CLEAR OF THE CUTTING EDGE BEFORE RESTARTING.

As you finish a cut, release the trigger and allow the blade to stop before lifting the saw from the work. As you lift the saw, the spring tensioned telescoping guard will automatically close under the blade. Remember the blade is exposed until this occurs. Never reach under the work for any reason. When you have to retract the telescoping guard manually (as is necessary for starting pocket cuts) always use the retracting lever.

NOTE: When cutting thin strips, be careful to ensure that small cutoff pieces don't hang up on inside of lower guard.

HINTS FOR OPTIMUM USE

- As some splintering along the line of cut on the top side of the workpiece cannot be avoided, cut on the side where splintering is acceptable.
- Where splintering is to be minimized, e.g. when cutting laminates, clamp a piece of plywood onto the top of the workpiece.

POCKET CUTTING (FIGURE O)

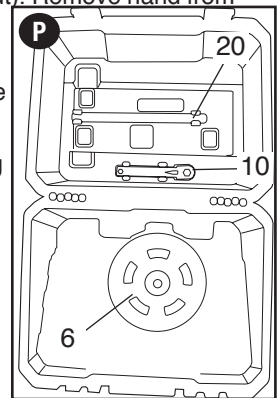
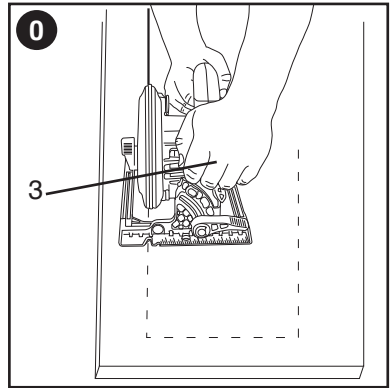
⚠ WARNING: Never tie the blade guard in a raised position. Never move the saw backwards when pocket cutting. This may cause the unit to raise up off the work surface which could cause injury.

A pocket cut is one that is made in a floor, wall, or other flat surface.

- Adjust the saw foot plate so the blade cuts at desired depth.
- Tilt the saw forward and rest front of the foot plate on material to be cut.
- Using the retracting lever, retract lower blade guard to an upward position. Lower rear of foot plate until blade teeth almost touch cutting line.
- Release the blade guard (its contact with the work will keep it in position to open freely as you start the cut). Remove hand from
- Make sure blade is not in contact with cutting surface before starting saw.
- Start the motor and gradually lower the saw until its foot plate rests flat on the material to be cut. Advance saw along the cutting line until cut is completed.
- Release trigger and allow blade to stop completely before withdrawing the blade from the material.
- When starting each new cut, repeat as above.

WRENCH AND ACCESSORY STORAGE

The wrench (10) is stored in the carrying case of the BTE300 as shown in **figure P**. Additional blades (6) can also be stored in the case along with an area for an optional rip fence (20).



TROUBLESHOOTING

Problem

- Unit will not start.

Possible Cause

- Cord not plugged in.
- Circuit fuse is blown.
- Circuit breaker is tripped.
- Cord or switch is damaged.

Possible Solution

- Plug tool into a working outlet.
- Replace circuit fuse. (If the product repeatedly causes the circuit fuse to blow, discontinue use immediately and have it serviced at a Bostitch service center or authorized servicer.)
- Reset circuit breaker. (If the product repeatedly causes the circuit breaker to trip, discontinue use immediately and have it serviced at a Bostitch service center or authorized servicer.)
- Have cord or switch replaced at a Bostitch Service Center or Authorized Servicer

For assistance with your product, visit our website at www.bostitch.com. for a list of service centers, or call the Bostitch Customer Care Center at (800) 262-2161.

Maintenance

Use only mild soap and damp cloth to clean the tool. Never let any liquid get inside the tool; never immerse any part of the tool into a liquid.

IMPORTANT: To assure product SAFETY and RELIABILITY, repairs, maintenance and adjustment (other than those listed in this manual) should be performed by authorized service centers or other qualified service organizations, always using identical replacement parts.

REPLACEMENT PARTS

Use only identical replacement parts. For a parts list or to order parts, visit our service website at www.bostitch.com. You can also order parts from your nearest Bostitch Factory Service Center or Bostitch Authorized Warranty Service Center. Or, you can call our Customer Care Center at (800) 262 2161.

SERVICE AND REPAIRS

All quality tools will eventually require servicing and/or replacement of parts. For information about Bostitch, its factory service centers or authorized warranty service centers, visit our website at www.bostitch.com or call our Customer Care Center at (800) 262 2161. All repairs made by our service centers are fully guaranteed against defective material and workmanship. We cannot guarantee repairs made or attempted by others.

You can also write to us for information at Bostitch, 701 E. Joppa Road, Towson, Maryland 21286 - Attention: Product Service. Be sure to include all of the information shown on the nameplate of your tool (model number, type, serial number, etc.).

ACCESSORIES

⚠WARNING: Since accessories, other than those offered by Bostitch have not been tested with this product, use of such accessories with this tool could be hazardous. To reduce the risk of injury, only Bostitch recommended accessories should be used with this product.

A complete line of accessories is available from your Bostitch Factory Service Center or a Bostitch Authorized Warranty Service Center. Please visit our Web Site www.bostitch.com for a catalog or for the name of your nearest supplier.

THREE YEAR LIMITED WARRANTY

Bostitch will repair or replace, without charge, any defects due to faulty materials or workmanship for three years from the date of purchase for tools (two years for batteries).

This warranty does not cover part failure due to normal wear or tool abuse. For further detail of warranty coverage and warranty repair information, visit www.bostitch.com or call **(800) 262-2161**. This warranty does not apply to accessories or damage caused where repairs have been made or attempted by others. This warranty gives you specific legal rights and you may have other rights which vary in certain states or provinces.

In addition to the warranty, Bostitch tools are covered by our: **1 YEAR FREE SERVICE:** Bostitch will maintain the tool and replace worn parts caused by normal use, for free, any time during the first year after purchase.

90 DAY MONEY BACK GUARANTEE: If you are not completely satisfied with the performance of your Bostitch Power Tool for any reason, you can return it within 90 days from the date of purchase with a receipt for a full refund – no questions asked.

LATIN AMERICA: This warranty does not apply to products sold in Latin America. For products sold in Latin America, see country specific warranty information contained in the packaging, call the local company or see website for warranty information.

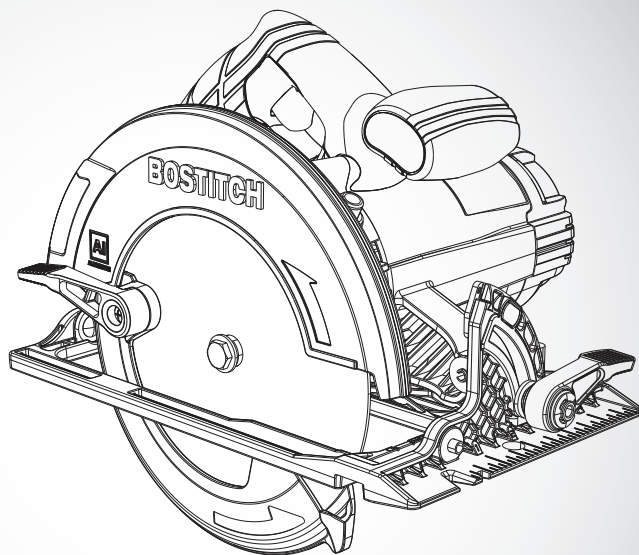
To register your tool for warranty service visit our website at www.bostitch.com

WARNING LABEL REPLACEMENT

If your warning labels become illegible or are missing, call (800) 262-2161 for a free replacement.

Imported by Bostitch
701 E. Joppa Road
Towson, Maryland 21286

BOSTITCH®



15A

Scie circulaires 7-1/4" (184mm), 15 Ampère

LIGNES DIRECTRICES EN MATIÈRE DE SÉCURITÉ - DÉFINITIONS

Il est important que vous lisiez et compreniez ce mode d'emploi. Les informations qu'il contient concernent VOTRE SÉCURITÉ et visent à ÉVITER TOUT PROBLÈME. Les symboles ci-dessous servent à vous aider à reconnaître cette information.

⚠ DANGER : Indique une situation dangereuse imminente qui, si elle n'est pas évitée, causera la mort ou des graves blessures.

⚠ AVERTISSEMENT : Indique une situation potentiellement dangereuse qui, si elle n'est pas évitée, pourrait causer la mort ou de graves blessures.

⚠ MISE EN GARDE : Indique une situation potentiellement dangereuse qui, si elle n'est pas évitée, pourrait causer des blessures mineures ou modérées.

AVIS : Utilisé sans le symbole d'alerte à la sécurité, indique une situation potentiellement dangereuse qui, si elle n'est pas évitée, peut résulter en des dommages à la propriété.

Avertissements de sécurité généraux pour les outils électriques

⚠ AVERTISSEMENT : Lire tous les avertissements de sécurité et toutes les directives. Le non-respect des avertissements et des directives pourrait se solder par un choc électrique, un incendie et/ou une blessure grave.

Conserver tous les avertissements et toutes les directives pour un usage ultérieur. Le terme «outil électrique» cité dans les avertissements se rapporte à votre outil électrique à alimentation sur secteur (avec fil) ou par piles (sans fil).

1) Sécurité du lieu de travail

- a) **Tenir la zone de travail propre et bien éclairée.** *Les endroits sombres sont souvent des causes d'accidents.*
- b) **Ne pas faire fonctionner d'outils électriques dans un milieu déflagrant, soit en présence de liquides inflammables, de gaz ou de poussière.** *Les outils électriques produisent des étincelles qui peuvent enflammer la poussière ou les vapeurs.*
- c) **Éloigner les enfants et les curieux au moment d'utiliser un outil électrique.** *Une distraction pourrait vous en faire perdre la maîtrise.*

2) Sécurité en matière d'électricité

- a) **Les fiches des outils électriques doivent correspondre à la prise. Ne jamais modifier la fiche en aucune façon.** *Ne jamais utiliser de fiche d'adaptation avec un outil électrique mis à la terre. Le risque de choc électrique sera réduit par l'utilisation de fiches non modifiées correspondant à la prise.*
- b) **Éviter tout contact physique avec des surfaces mises à la terre comme des tuyaux, des radiateurs, des cuisinières et des réfrigérateurs.** *Le risque de choc électrique est plus élevé si votre corps est mis à la terre.*
- c) **Ne pas exposer les outils électriques à la pluie ou à d'autres conditions où il pourrait être mouillé.** *La pénétration de l'eau dans un outil électrique augmente le risque de choc électrique.*
- d) **Ne pas utiliser abusivement le cordon d'alimentation. Ne jamais utiliser le cordon pour transporter, tirer ou débrancher un outil électrique.** *Tenir le cordon éloigné de la chaleur, de l'huile, des bords tranchants ou des pièces mobiles. Les cordons endommagés ou emmêlés augmentent les risques de choc électrique.*
- e) **Pour l'utilisation d'un outil électrique à l'extérieur, se servir d'une rallonge convenant à une telle utilisation.** *L'utilisation d'une rallonge conçue pour l'extérieur réduit les risques de choc électrique.*
- f) **S'il est impossible d'éviter l'utilisation d'un outil électrique dans un endroit humide, brancher l'outil dans une prise ou sur un circuit d'alimentation doté d'un disjoncteur de fuite à la terre (GFCI).** *L'utilisation de ce type de disjoncteur réduit les risques de choc électrique.*

3) Sécurité personnelle

- a) **Être vigilant, surveiller le travail effectué et faire preuve de jugement lorsqu'un outil électrique est utilisé. Ne pas utiliser d'outil électrique en cas de fatigue ou sous l'influence de drogues, d'alcool ou de médicaments.** *Un simple moment d'inattention en utilisant un outil électrique peut entraîner des blessures corporelles graves.*
- b) **Utiliser des équipements de protection individuelle. Toujours porter une protection oculaire.** *L'utilisation d'équipements de protection comme un masque antipoussière, des chaussures antidérapantes, un casque de sécurité ou des protecteurs auditifs lorsque la situation le requiert réduira les risques de blessures corporelles.*
- c) **Empêcher les démarrages intempestifs. S'assurer que l'interrupteur se trouve à la position d'arrêt avant de relier l'outil à une source d'alimentation et/ou d'insérer un bloc-piles, de ramasser ou de transporter l'outil.** *Transporter un outil électrique alors que le doigt repose sur l'interrupteur ou brancher un outil électrique dont l'interrupteur est à la position de marche risque de provoquer un accident.*
- d) **Retirer toute clé de réglage ou clé standard avant de démarrer l'outil.** *Une clé standard ou une clé de réglage attachée à une partie pivotante peut causer des blessures.*
- e) **Ne pas trop tendre les bras. Conserver son équilibre en tout temps.** *Cela permet de mieux maîtriser l'outil électrique dans les situations imprévues.*
- f) **S'habiller de manière appropriée. Ne pas porter de vêtements amples ni de bijoux. Garder les cheveux, les vêtements et les gants à l'écart des pièces mobiles.** *Les vêtements amples, les bijoux ou les cheveux longs risquent de rester coincés dans les pièces mobiles.*
- g) **Si des composants sont fournis pour le raccordement de dispositifs de dépoussiérage et de ramassage, s'assurer que ceux-ci sont bien raccordés et**

utilisés. L'utilisation d'un dispositif de dépoussiérage peut réduire les dangers engendrés par les poussières.

4) Utilisation et entretien d'un outil électrique

- a) **Ne pas forcer un outil électrique. Utiliser l'outil électrique approprié à l'application.** L'outil électrique approprié effectuera un meilleur travail, de façon plus sûre et à la vitesse pour laquelle il a été conçu.
- b) **Ne pas utiliser un outil électrique dont l'interrupteur est défectueux.** Tout outil électrique dont l'interrupteur est défectueux est dangereux et doit être réparé.
- c) **Débrancher la fiche du secteur ou le bloc-piles de l'outil électrique avant de faire tout réglage ou changement d'accessoire, ou avant de ranger l'outil électrique.** Ces mesures préventives réduisent les risques de démarrage accidentel de l'outil électrique.
- d) **Ranger les outils électriques hors de la portée des enfants, et ne permettre à aucune personne n'étant pas familière avec un outil électrique (ou son manuel d'instruction) d'utiliser ce dernier.** Les outils électriques deviennent dangereux entre les mains d'utilisateurs inexpérimentés.
- e) **Entretenir les outils électriques. Vérifier les pièces mobiles pour s'assurer qu'elles sont bien alignées et tournent librement, qu'elles sont en bon état et ne sont affectées par aucun trouble susceptible de nuire au bon fonctionnement de l'outil électrique. En cas de dommage, faire réparer l'outil électrique avant toute nouvelle utilisation.** Beaucoup d'accidents sont causés par des outils électriques mal entretenus.
- f) **S'assurer que les outils de coupe sont aiguisés et propres.** Les outils de coupe bien entretenus et affûtés sont moins susceptibles de se coincer et sont plus faciles à contrôler.
- g) **Utiliser l'outil électrique, les accessoires, les forets, etc. conformément aux présentes directives en tenant compte des conditions de travail et du travail à effectuer.** L'utilisation d'un outil électrique pour toute opération autre que celle pour laquelle il a été conçu est dangereuse.

5) Réparation

- a) **Faire réparer l'outil électrique par un réparateur professionnel en n'utilisant que des pièces de rechange identiques.** Cela permettra de maintenir une utilisation sécuritaire de l'outil électrique.

RÈGLES DE SÉCURITÉ SPÉCIFIQUES SUPPLÉMENTAIRES CONSIGNES DE SÉCURITÉ POUR TOUTES LES SCIES

DANGER :

- a. **Gardez les mains à distance de la zone de coupe et de la lame. Gardez une de vos mains sur la poignée auxiliaire ou sur le carter du moteur.** Si vous tenez la scie de vos deux mains, elles ne peuvent pas être coupées par la lame.
- b. **N'essayez pas de tenir le dessous de l'ouvrage.** Le protège-lame ne peut pas vous protéger de la lame en dessous de l'ouvrage.
- c. **Ajustez la profondeur de coupe à l'épaisseur de l'ouvrage.** Moins d'une dent entière de lame devrait être visible en dessous de l'ouvrage.
- d. **Ne tenez jamais dans vos mains ou sur vos genoux un ouvrage qui est en cours de coupe. Fixez votre ouvrage sur une plateforme stable.** Il est important de soutenir correctement l'ouvrage afin de minimiser l'exposition du corps à la lame, le risque de coincement de la lame ou la perte de contrôle de l'outil.
- e. **Tenez l'outil électrique par ses surfaces de préhension isolantes quand vous réalisez une opération au cours de laquelle l'outil de coupe pourrait entrer en contact avec des câbles dissimulés ou avec son propre cordon électrique.** Le contact avec un fil sous tension mettra également sous tension toutes les pièces métalliques exposées et donnera un choc électrique à l'utilisateur de l'outil.
- f. **Pendant les coupes de refente, utilisez toujours un guide de refente ou un guide à bord droit.** Ceci augmente toujours l'exactitude de la coupe et diminue la possibilité de coincement de la lame.
- g. **Utilisez toujours des lames dont l'alésage central est de la taille et de la forme appropriées (soit en forme de diamant, soit en forme de rond).** Les lames qui ne correspondent pas aux pièces de montage de la scie tourneront de façon excentrique, ce qui causera une perte de contrôle de l'outil.
- h. **Ne vous servez jamais de rondelles ou de boulons de lames qui sont endommagés ou inappropriés.** Les rondelles et le boulon de lame ont été conçus spécifiquement pour votre scie dans le but d'assurer une performance optimale et un fonctionnement sans danger.

CAUSES DES REBONDS ET MÉTHODES DE PRÉVENTION POUVANT ÊTRE UTILISÉES PAR L'UTILISATEUR :

- Le rebond est une réaction subite (causée par une lame de scie pincée, coincée ou mal alignée) qui peut entraîner le soulèvement d'une scie non contrôlée, sa sortie de l'ouvrage et sa projection en direction de l'utilisateur.
 - Si la lame est pincée ou coincée fortement pendant l'abaissement de la scie, la lame se cale et le moteur réagit en entraînant rapidement l'outil vers l'arrière dans la direction de l'opérateur.
 - Si la lame se tord ou perd son alignement correct au cours de la coupe, les dents sur le bord arrière de la lame peuvent entamer la surface supérieure du bois, forçant ainsi la lame à sortir du trait de scie et à « sauter » vers l'arrière en direction de l'opérateur.
- Le rebond est la conséquence d'une mauvaise utilisation de la scie et/ou de procédures ou de conditions incorrectes, et il peut être évité en prenant les précautions qui sont décrites ci-dessous :

- Maintenez fermement la scie avec vos deux mains et positionnez vos bras de façon à résister aux forces de rebond.** Les forces de rebond peuvent être contrôlées par l'utilisateur quand les précautions appropriées sont prises.
- En cas de coincement de la lame ou d'interruption d'une coupe pour une raison quelconque, relâchez la gâchette et tenez la scie immobile dans l'ouvrage jusqu'à ce que la lame se soit immobilisée complètement. Ne tentez jamais de retirer la scie de l'ouvrage ou de la tirer vers l'arrière pendant que la lame est en mouvement, car un rebond risquerait de se produire.** Évaluez la situation et prenez les mesures correctives nécessaires pour éliminer la cause du coincement de la lame.
- Lorsque vous remettez une scie en marche quand l'ouvrage est présent, centrez la lame de scie dans le trait de scie et vérifiez que les dents de la lame ne sont pas engagées dans le matériau de l'ouvrage.** Si la lame de scie se coince, elle peut grimper hors de l'ouvrage ou rebondir sur celui-ci quand la scie est remise en marche.
- Soutenez les panneaux de grande taille de façon à minimiser le risque de pincement et de rebond de la lame.** Les panneaux de grande taille ont tendance à s'affaisser sous leur propre poids. Des supports doivent être placés des deux côtés sous le panneau, à proximité de la ligne de coupe et à proximité du rebord du panneau.
- N'utilisez pas de lame émoussée ou endommagée.** Des lames non aiguisées ou mal installées produisent un trait de scie étroit qui cause une friction excessive, le coincement de la lame et un effet de rebond.
- Les leviers de réglage de la profondeur et de l'angle de coupe de la lame doivent être bien serrés et assujettis avant de réaliser une coupe.** Une modification du réglage de la lame pendant la coupe risque d'entraîner un coincement et un rebondissement de la lame.
- Procédez avec une prudence supplémentaire quand vous réalisez une coupe « en plongée » dans des murs déjà en place ou dans des pièces sans issue.** La lame saillante peut couper des objets, et ceci peut entraîner un rebond.

CONSIGNES DE SÉCURITÉ RELATIVES AU PROTÈGE-LAME INFÉRIEUR

- Inspectez le protège-lame inférieur avant chaque utilisation pour vous assurer qu'il se ferme correctement. Ne faites pas fonctionner la scie si le protège-lame inférieur ne se déplace pas librement et ne se ferme pas instantanément.** Ne forcez jamais le protège-lame inférieur dans la position ouverte à l'aide d'un collier de serrage ou d'une attache. Il est possible que le protège-lame inférieur se torde en cas de chute accidentelle de la scie. Soulevez le protège-lame inférieur à l'aide de la poignée rétractable et assurez-vous qu'il se déplace sans problème et qu'il ne touche pas la lame ou une autre pièce, quel que soit l'angle ou la profondeur de la coupe.
- Vérifiez le fonctionnement du ressort du protège-lame inférieur. Si le protège-lame inférieur et le ressort ne fonctionnent pas correctement, ils doivent être réparés avant l'emploi.** Le protège-lame inférieur peut parfois mal fonctionner à cause de pièces endommagées, d'accumulation de résine ou de débris.
- Le protège-lame inférieur doit être rétracté à la main uniquement à l'occasion de coupes spéciales telles que les « coupes en plongée » ou les « coupes composées ».** Soulevez le protège-lame inférieur à l'aide la poignée rétractable et relâchez-le dès que la lame pénètre dans le matériau

de l'ouvrage. Pour toute autre opération de sciage, le protège-lame inférieur doit fonctionner automatiquement.

- d. **Vérifiez toujours que le protège-lame inférieur couvre la lame avant de placer la scie sur un banc ou sur le sol.** Une lame non protégée qui tourne librement entraînera le mouvement de la scie en marche arrière, ce qui provoquera la coupe de tout ce qui se trouve sur sa trajectoire. Soyez conscient du temps nécessaire à la lame pour s'arrêter une fois que la gâchette est relâchée.

DIRECTIVES DE SÉCURITÉ SUPPLÉMENTAIRES

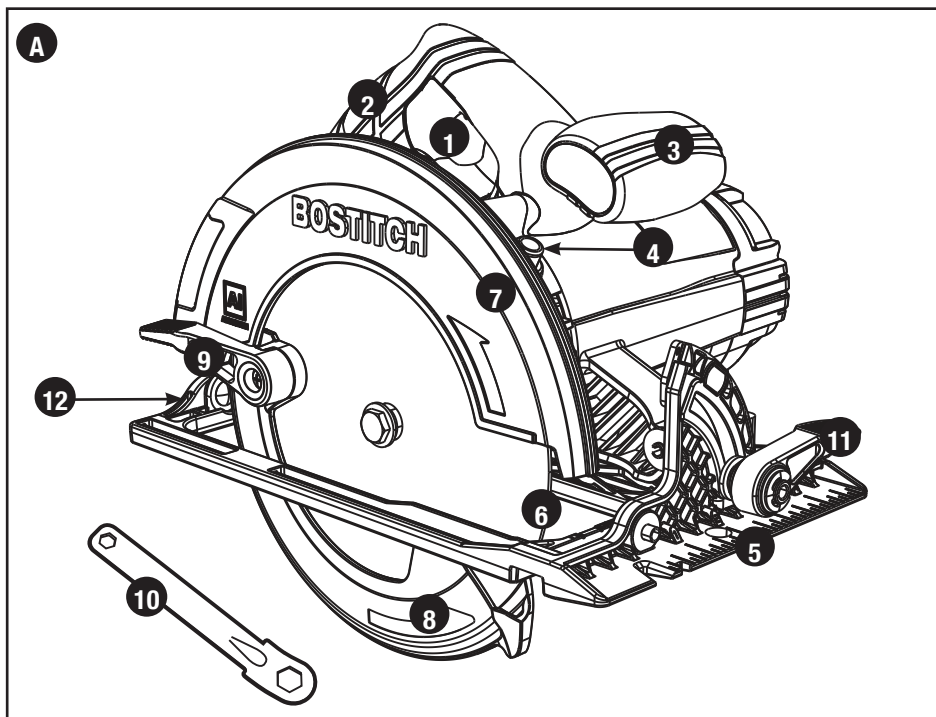
- **Utiliser des pinces ou tout autre moyen pratique de soutenir et de fixer solidement la pièce sur une plate-forme stable.** Tenir la pièce avec la main ou contre son corps n'est pas suffisamment stable et risque de provoquer une perte de maîtrise de l'outil.
- **Il faut se tenir de l'un ou l'autre côté de la lame de la scie et non dans sans trajectoire.** L'EFFET DE REBOND risque de faire rebondir la scie vers l'arrière (consulter les rubriques « Causes de l'effet de rebond et prévention par l'opérateur » et « EFFET DE REBOND »).
- **Éviter de couper des clous.** Inspecter le bois et retirer tous les clous qui s'y trouvent avant d'entamer la découpe.
- **Toujours s'assurer que rien ne nuit au mouvement du pare-main inférieur.**
- **Le régime nominal (vitesse) des accessoires doit au minimum égaler la vitesse recommandée sur l'étiquette d'avertissement de l'outil. Les meules et autres accessoires allant plus vite que le régime nominal peuvent être projetés et provoquer des blessures.** Le régime nominal des accessoires doit toujours se situer au-dessus de la vitesse de l'outil, tel que l'indique la plaque signalétique de l'outil.
- Toujours être certain que tous les composants sont montés adéquatement et solidement avant d'utiliser l'outil.
- Toujours manipuler soigneusement la lame de la scie au moment de la pose ou de la dépose.
- Toujours attendre le plein régime du moteur avant d'amorcer une coupe.
- Toujours maintenir les poignées sèches, propres et exemptes d'huile et de graisse. Tenir fermement l'outil à deux mains au moment de l'utiliser.
- Toujours être vigilant, surtout durant les opérations répétitives et monotones. Toujours être certain de la position de ses mains par rapport à la lame.
- Se tenir à l'écart des extrémités de la pièce, car des morceaux pourraient tomber après la coupe. Les morceaux peuvent être chauds, tranchants et/ou lourds. Il peut en résulter des blessures corporelles graves.
- Remplacer ou réparer les cordons endommagés. S'assurer que la rallonge est en bon état. Utiliser uniquement une rallonge à 3 fils pourvue d'une fiche de mise à la terre à 3 broches et d'une prise à 3 fentes correspondant à la fiche de l'outil.
- **Pour la sécurité de l'utilisateur, utiliser une rallonge de calibre adéquat (AWG ou American Wire Gauge [calibrage américain normalisé des fils]).** Plus le numéro de calibre de fil est petit et plus sa capacité est grande, par exemple un calibre 16 a plus de capacité qu'un calibre 18. Une rallonge de calibre inférieur causera une chute de tension de ligne et donc une perte de puissance et une surchauffe. Si plus d'une rallonge est utilisée pour obtenir la longueur totale, s'assurer que chaque rallonge présente au moins le calibre de fil minimum. Le tableau suivant indique le calibre approprié à utiliser selon la longueur de la rallonge et l'intensité nominale de la plaque signalétique. En cas de doute, utiliser le calibre suivant le plus gros. Plus le numéro de calibre est petit, plus le cordon est lourd.

Calibre minimal des cordons de rallonge					
Tension	Longueur totale du cordon en pieds				
120V	0-25 (0-7,6m)	26-50 (7,6-15,2m)	51-100 (15,2-30,4m)	101-150 (30,4-45,7m)	
240V	0-50 (0-15,2m)	51-100 (15,2-30,4m)	101-200 (30,4-60,9m)	201-300 (60,9-91,4m)	
Intensité (A)		Calibre moyen des fils (AWG)			
Au moins	Au plus				
0	- 6	18	16	16	14
6	- 10	18	16	14	12
10	- 12	16	16	14	12
12	- 16	14	12	Non recommandé	

- ⚠ ATTENTION** : La lame après l'éteindre. Des blessures graves peuvent en résulter.
- ⚠ AVERTISSEMENT** : Toujours porter une protection auditive appropriée conformément à la norme ANSI S12.6 (S3.19) lors de l'utilisation du produit. Dans certaines conditions et selon la durée d'utilisation, le bruit émis par ce produit pourrait contribuer à une perte auditive.
- ⚠ AVERTISSEMENT** : Toujours utiliser une protection oculaire appropriée. Tous les utilisateurs et les spectateurs doivent porter des lunettes de protection conforme à la norme ANSI Z87.1.
- ⚠ AVERTISSEMENT** : **TOUJOURS** porter des lunettes de sécurité. Les lunettes de vue ne constituent PAS des lunettes de sécurité. Utiliser également un masque facial ou anti-poussière si l'opération de découpe génère de la poussière. **TOUJOURS PORTER UN ÉQUIPEMENT DE PROTECTION HOMOLOGUÉ** :
- protection oculaire conforme à la norme ANSI Z87.1 (CAN/CSA Z94.3);
 - protection auditive ANSI S12.6 (S3.19);
 - protection des voies respiratoires conformes aux normes NIOSH/OSHA/MSHA.
- ⚠ AVERTISSEMENT** : certains outils électriques, tels que les sableuses, les scies, les meules, les perceuses ou certains autres outils de construction, peuvent produire de la poussière contenant des produits chimiques reconnus par l'État de la Californie comme étant susceptibles d'entraîner le cancer, des malformations congénitales ou pouvant être nocifs pour le système reproductif. Parmi ces produits chimiques, on retrouve :
- le plomb dans les peintures à base de plomb,
 - la silice cristalline dans les briques et le ciment et autres produits de maçonnerie,
 - l'arsenic et le chrome dans le bois de sciage ayant subi un traitement chimique.
- Le risque associé à de telles expositions varie selon la fréquence avec laquelle on effectue ces travaux. Pour réduire l'exposition à de tels produits, il faut travailler dans un endroit bien aéré et utiliser le matériel de sécurité approprié, tel un masque anti-poussières spécialement conçu pour filtrer les particules microscopiques.
- Éviter tout contact prolongé avec la poussière soulevée par cet outil ou autres outils électriques. Porter des vêtements de protection et nettoyer les parties exposées du corps avec de l'eau savonneuse. S'assurer de bien se protéger afin d'éviter d'absorber par la bouche, les yeux ou la peau des produits chimiques nocifs.
- ⚠ AVERTISSEMENT** : Cet outil peut produire et répandre de la poussière susceptible de causer des dommages sérieux et permanents au système respiratoire. Toujours utiliser un appareil respiratoire anti-poussières approuvé par le NIOSH ou l'OSHA. Diriger les particules dans le sens opposé du visage et du corps.

SYMBOLES

- L'étiquette apposée sur votre outil pourrait comprendre les symboles suivants. Les symboles et leurs définitions sont indiqués ci-après :
- | | |
|---|----------------------------------|
| V..... volts | A..... ampères |
| Hz..... hertz | W..... watts |
| min..... minutes | ~ ou AC.....courant alternatif |
| — ou DC.....courant continu | n ₀ sous vide |
| ⚠..... Construction de classe I
(mis à la terre) | ⚠..... borne de mise à la minute |
| ⚠..... Construction de classe II | ⚠..... symbole d'avertissement |
| RPM ou .../min..... tours à la minute | |
| 📖..... Lire le mode d'emploi avant l'utilisation | |
| 👤..... Utiliser une protection respiratoire adéquate. | |
| 👁..... Utiliser une protection oculaire adéquate. | |
| 👂..... Utiliser une protection auditive adéquate. | |

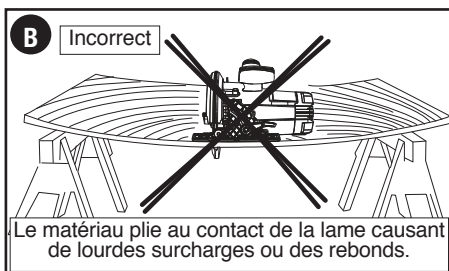


DESCRIPTION FONCTIONNELLE (Figure A)

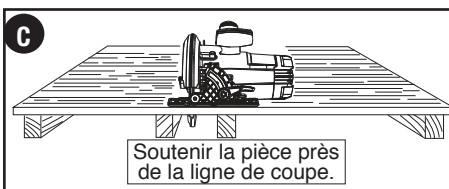
- | | |
|--|---|
| 1. Interrupteur marche/arrêt | 7. Lame de scie upper garde |
| 2. Poignée principale | 8. Abaisser la lame de scie garde |
| 3. Poignée secondaire | 9. Levier de rétraction du pare-main |
| 4. Bouton de verrouillage de la broche | 10. Clé de la lame de la scie |
| 5. Semelle | 11. Levier de réglage d'angle de biseau |
| 6. Lame de scie | 12. Levier de réglage de la profondeur |

SOUTIEN DE GRANDS PANNEAUX/FIXATION DE LA PIÈCE

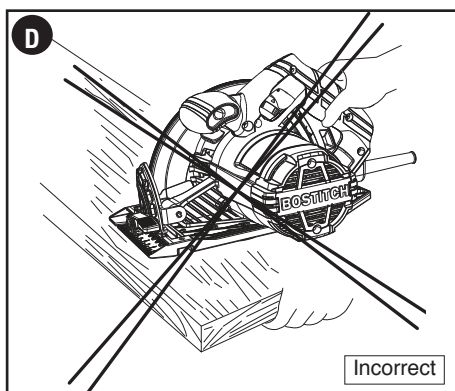
Soutenir les grands panneaux pour réduire le risque de pincement et d'effet de rebond de la lame. Les grands panneaux s'affaissent sous leur propre poids, comme montré à la figure B.



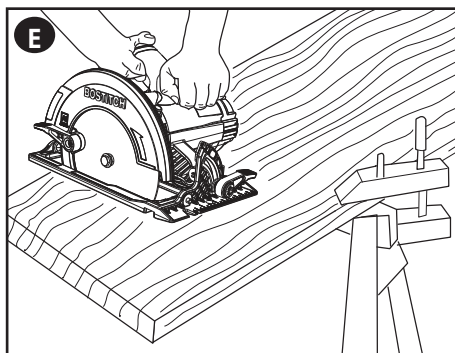
Installer des pièces d'appui sous le panneau, des deux cotés, près de la ligne de coupe et du bord du panneau (figure C).



Ne jamais tenir la pièce dans ses mains ou la placer de travers sur ses jambes pour la couper (**figure D**).



Fixer solidement la pièce à une plateforme stable, comme montré à la **figure E**. Il est important de soutenir la pièce correctement afin de minimiser l'exposition des parties du corps à la lame, de coincer celle-ci ou de perdre la maîtrise de l'outil.



UTILISATION PRÉVUE

Ces scies circulaires sont conçues pour des applications professionnelles de coupe de bois.

⚠ **AVERTISSEMENT : NE PAS** utiliser d'accessoires à l'eau avec cette scie.

⚠ **AVERTISSEMENT : NE PAS** utiliser de meules ou de lames abrasives.

⚠ **AVERTISSEMENT : NE PAS** utiliser dans des conditions humides ou en présence de liquides ou de gaz inflammables.

MONTAGE/RÉGLAGE

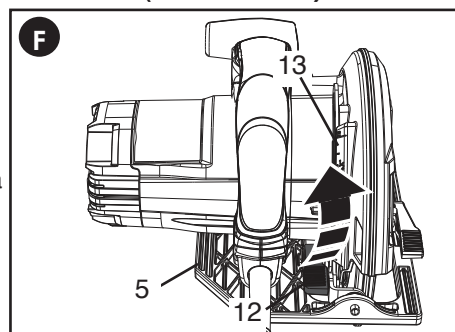
⚠ **AVERTISSEMENT : Toujours débrancher la scie de l'alimentation secteur avant chacune des opérations suivantes.**

⚠ **AVERTISSEMENT : Ne jamais modifier l'outil électrique ou l'une de ses parties.** Une telle pratique risque de provoquer des dommages matériels ou des blessures.

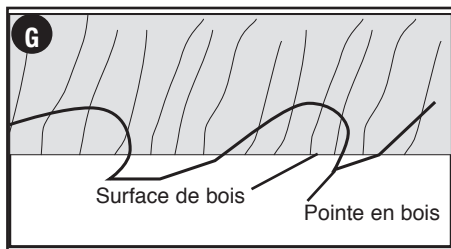
RÉGLAGE DE LA PROFONDEUR DE COUPE (FIG. F ET G)

La profondeur de la coupe doit être réglée selon l'épaisseur de la pièce.

- Desserrer le levier (12) pour déverrouiller le sabot de la scie. (**fig. F**).
- Mettre le sabot de la scie (5) dans la position désirée. La profondeur de coupe correspondante peut être lue sur l'échelle (13).
- Serrer le levier pour maintenir le sabot de la scie en place.



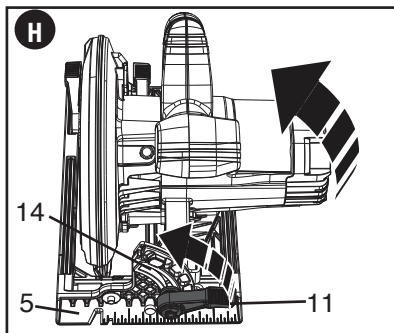
- Régler l'ajustement de profondeur de la scie de telle sorte qu'une demi-dent de la lame dépasse de la surface inférieure de l'ouvrage tel que l'illustre la **figure G**. Le réglage de la scie à la bonne profondeur de coupe réduit la friction de la lame à un minimum, enlève la sciure des dents de la lame, produit moins de chaleur, accélère le sciage et réduit les risques de rebond.



RÉGLAGE DE L'ANGLE DE BISEAU (FIG. H)

La BTE300 peut être réglée à des angles de biseau entre 0° et 55°.

- Desserrer le levier de blocage du biseau (11) pour déverrouiller la semelle de la scie (5).
- Déplacer la scie à la position souhaitée. L'angle de biseau correspondant est visible sur l'échelle (14).
- Serrer le levier de blocage pour verrouiller la scie en place.



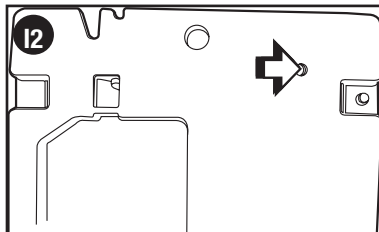
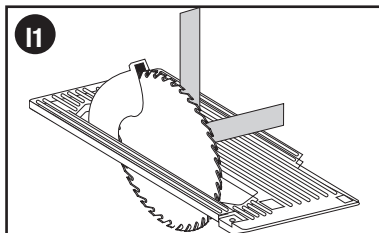
RÉGLAGE DE LA SEMELLE

⚠ MISE EN GARDE : TOUJOURS ÉTEINDRE L'OUTIL ET LE DÉBRANCHER AVANT DE CHANGER D'ACCESSOIRE OU D'EFFECTUER DES RÉGLAGES.

La semelle a été réglée en usine afin d'assurer la perpendicularité de la lame par rapport à la semelle. Si après une utilisation prolongée, la lame doit être réalignée, suivre les directives suivantes :

RÉGLAGE POUR COUPES À 90 DEGRÉS

1. Remettre la scie au biseau de 0 degré.
2. Mettre la scie de côté, puis escamoter le pare-main inférieur.
3. Desserrer le levier de réglage du biseau (11). Placer une équerre contre la lame et la semelle comme l'indique la **figure I1**.
4. Au moyen d'une clé hexagonale, tourner la vis de calage située sous la semelle, illustrée à la **figure I2**, jusqu'à ce que la lame et la semelle soient bien d'équerre. Resserrer le levier de réglage du biseau.

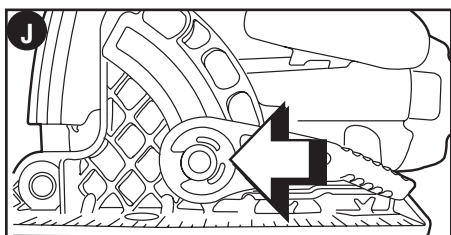


EFFECTUER DES RÉGLAGES AUX LEVIERS DE PROFONDEUR ET DE BISEAU (FIGURE J)

Il est parfois souhaitable de régler les leviers de réglage de profondeur ou de biseau.

Avec le temps, ils peuvent se desserrer et heurter la semelle avant le serrage. **Pour serrer les leviers du modèle BTE300, suivre les étapes suivantes :**

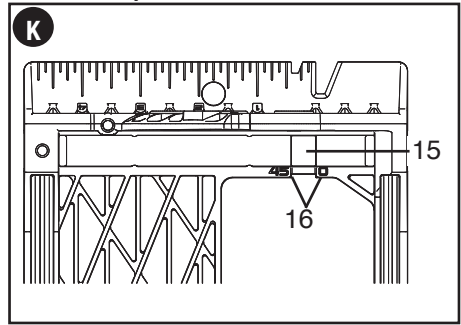
- Enlever l'anneau de retenue (illustré à la **figure J2**) ainsi que la rondelle plate mince. Les conserver pour le réassemblage.
- Retirer le levier, puis le tourner d'une position, dans le sens inverse des aiguilles d'une montre, et l'insérer dans le dispositif
- Remettre la rondelle plate et l'anneau de retenue, la partie concave reposant contre le levier.



INDICATEUR DE TRAIT DE SCIE (FIGURE K)

La partie avant de la semelle de la scie est dotée d'un indicateur de trait de scie pour les coupes verticales et en biseau. L'indicateur permet à l'opérateur de guider la scie le long des lignes de coupe tracées au crayon sur la pièce à couper. L'indicateur s'aligne avec le côté gauche (intérieur) de la lame de sorte que la fente (le trait de scie) pratiquée par la lame en mouvement soit effectuée du côté droit de l'indicateur.

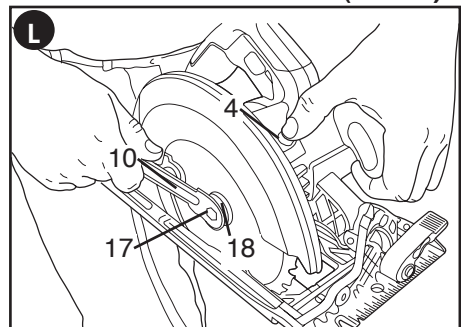
En outre, le modèle BTE300 présente des indicateurs visuels des degrés 0 et 45, soit les côtés gauche et droit correspondants de la fenêtre située dans la fente du guide longitudinal (voir l'élément 15 de la **fig. K**); les indicateurs des degrés 0 et 45 sont aussi inscrits juste devant le trait de scie (voir l'élément 16 de la **fig. K**). Il est à noter que le pare-main supérieur a été enlevé à la fig. K pour plus de clarté.



FIXATION ET DÉPOSE DE LA LAME DÉPOSE DE LA LAME (FIG. L)

- Maintenir le bouton de verrouillage de broche (4) appuyé et faire pivoter la lame jusqu'à ce que le verrouillage de la broche s'engage.
- Desserrer et enlever la vis qui retient la lame (17) en la tournant dans le sens inverse des aiguilles d'une montre à l'aide de la clé (10) fournie.
- Retirer la rondelle de fixation extérieure (18).
- Retirer la lame de la scie (6).

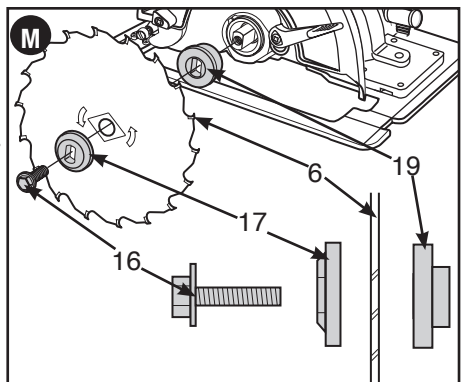
REMARQUE : Ne pas retirer la rondelle intérieure (19) illustrée à la **figure M**.



ASSEMBLAGE DE LA LAME (FIG. M)

- Au moyen du levier rétractable du pare-main inférieur, escamoter le pare-main inférieur.
- Placer la lame de la scie (6) sur l'arbre de la broche en s'assurant que la flèche de la lame pointe dans le même sens que la flèche figurant sur l'outil. Relâcher le levier du pare-main inférieur.
- Enfiler la rondelle extérieure (17) sur la broche, la surface plus large reposant contre la lame.
- Insérer la vis de rétention de la lame (16) dans le trou.
- Maintenir le bouton de verrouillage de la broche (4) enfoncé.
- Bien serrer la vis de rétention de la lame en la tournant dans le sens des aiguilles d'une montre à l'aide de la clé (10) fournie.

REMARQUE : il ne faut pas retirer la bride interne (19). Si elle est enlevée, la remettre en place comme dans la figure M.



PARE-MAIN INFÉRIEUR

⚠ AVERTISSEMENT : Le pare-main inférieur est un dispositif de sécurité qui réduit le risque de blessures corporelles graves. Ne jamais utiliser la scie lorsque le pare-main inférieur est manquant, endommagé, mal assemblé ou en mauvais état de fonctionnement. Ne pas se fier au pare-main inférieur pour se protéger en toutes circonstances. Pour assurer sa propre sécurité, respecter tous les avertissements et les mesures de précaution et utiliser correctement la scie. Vérifier avant chaque

utilisation de l'outil que le pare-main inférieur se ferme correctement tel que le décrit la rubrique « Règles de sécurité spécifiques supplémentaires ». En cas d'absence ou d'un mauvais fonctionnement du pare-main, faire réparer la scie avant son utilisation. Pour garantir la sécurité et la fiabilité du produit, confier les réparations, l'entretien et le réglage à un centre de réparation autorisé ou à tout autre centre de réparation professionnel. On ne doit utiliser que des pièces de rechange identiques.

⚠ AVERTISSEMENT : pour réduire le risque de blessure personnelle grave, lire, comprendre et suivre tous les avertissements de sécurité importants et toutes les directives avant d'utiliser l'outil.

DÉCOUPES GÉNÉRALES (IMPORTANT : LIRE LES AVERTISSEMENTS ET CONSIGNES DE SÉCURITÉ)

PROTÉGEZ-VOUS DES EFFETS DE REBOND

Sans brancher l'unité, suivre toutes les consignes d'assemblage, de réglage et de configuration.

S'assurer que le pare-main inférieur fonctionne. Sélectionner la lame appropriée au matériau à découper.

- Mesurer et marquer le bois à découper.
- Soutenir et fixer correctement l'ouvrage (voir Règles de sécurité et instructions).
- Utiliser le matériel de sécurité approprié et requis (voir Règles de sécurité).
- Sécuriser et entretenir la zone de travail (voir Règles de sécurité).
- Après avoir inséré la fiche et fermé le pare-main, s'assurer que l'interrupteur fonctionne.

⚠ AVERTISSEMENT : pour éviter toute blessure corporelle, soutenir correctement la pièce et tenir fermement la scie pour empêcher une perte de maîtrise de l'outil. La **Figure E** illustre la position de main recommandée.

FIXATION ET DEPOSE D'UN GUIDE LONGITUDINAL (FIGURE N)

Le guide longitudinal est utilisé pour scier en ligne droite parallèlement au bord de la pièce.

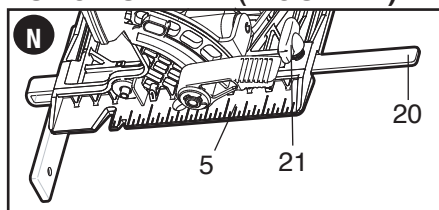
FIXATION

- Insérer le guide longitudinal (20) dans les ouvertures de la semelle (5).
- Glisser le guide longitudinal dans la position souhaitée.
- Visser la poignée de blocage (21), puis serrer.

DÉPOSE

- Desserrer la poignée de blocage (21).
- Retirer le guide longitudinal de l'outil.

REMARQUE : si vous n'avez pas de guide longitudinal approprié, utilisez une règle droite en contact avec l'arête du sabot de la scie pour améliorer la précision de la découpe et réduire la possibilité d'accrochage et d'effet de rebond.



FONCTIONNEMENT

Pour réduire le risque de blessures corporelles graves, éteindre l'outil et le débrancher avant d'effectuer tout réglage, d'enlever ou d'installer tout accessoire.

⚠ AVERTISSEMENT : IMPORTANT : Toujours s'assurer que le levier de blocage du réglage de la profondeur est incliné vers le bas avant d'utiliser la scie.

INTERRUPTEUR

- Pour faire fonctionner l'outil, enfoncer la détente (1) (**Fig. A**). L'outil continuera de fonctionner tant que la détente sera enfoncée.
- Pour l'éteindre, relâcher simplement la détente (1). Il n'est pas possible de bloquer l'outil en positionnement de marche, et la détente ne doit jamais être bloquée par aucun moyen.

SCIAGE

⚠ AVERTISSEMENT : Pour réduire le risque de blessure corporelle, toujours tenir fermement les poignées de la scie des deux mains.

⚠ AVERTISSEMENT : Ne jamais utiliser l'outil en l'appuyant à l'envers sur une surface de travail et en acheminant la pièce vers l'outil. Toujours fixer solidement la pièce et diriger l'outil vers celle-ci en tenant solidement l'outil des deux mains comme l'indique la **figure E**.

Placer la section la plus large de la plaque d'assise de la scie sur la portion de la pièce solidement soutenue et non sur celle qui se détachera au moment d'exécuter la coupe. Par exemple, la **figure E** illustre la façon **CORRECTE** de couper l'extrémité d'une planche. Toujours fixer la pièce. Ne jamais tenter de tenir les planches courtes avec les mains! Ne pas oublier de soutenir les pièces en saillie et en porte-à-faux. Prendre les mesures de précaution nécessaires lors de la coupe de matériau sur le dessous. S'assurer que la lame tourne à plein régime avant de placer la lame sur la pièce à couper, car on peut engendrer un rebond si on démarre la scie alors qu'elle touche la pièce ou qu'on la pousse dans un trait de scie. Pousser la scie vers l'avant à une vitesse qui permet de couper sans trop forcer. La dureté et la résilience d'une pièce peuvent varier d'une section à l'autre; des sections noueuses ou humides peuvent surcharger la scie. Dans ces cas, pousser la scie plus lentement tout en exerçant une force suffisante pour continuer la coupe sans trop réduire la vitesse. Si on force l'outil, on risque d'obtenir des coupes rugueuses ou inexactes, de provoquer un rebond ou une surchauffe du moteur. Si la scie s'éloigne du trait de coupe, ne pas la forcer à y revenir. On doit plutôt relâcher la gâchette et attendre que la lame s'immobilise. Puis soulever la scie, reprendre une nouvelle coupe légèrement à l'intérieur de l'endroit où l'erreur s'est produite. Dans tous les cas, il faut retirer la scie pour reprendre une coupe. Lorsqu'on essaie de corriger une erreur en laissant la scie dans le trait de coupe, on risque de caler le moteur et de provoquer un rebond.

SI LA SCIE CALE, RELÂCHER LA GÂCHETTE ET DÉGAGER COMPLÈTEMENT LA SCIE. S'ASSURER QUE LA LAME EST BIEN DROITE DANS LE TRAIT DE COUPE ET QU'ELLE NE TOUCHE PAS LE REBORD DE LA PIÈCE AVANT DE RELANCER LA COUPE.

Une fois la coupe terminée, relâcher la gâchette et attendre l'immobilisation complète de la lame avant de dégager la scie de la pièce. Lorsqu'on soulève la scie, le pare-main rétractable à ressort se ferme automatiquement sous la lame. Ne pas oublier que la lame est exposée jusqu'à ce moment. Ne jamais passer la main sous la pièce en aucune circonstance. Lorsqu'il faut escamoter le pare-main rétractable manuellement (comme pour amorcer une découpe en poche), toujours utiliser le levier rétractable.

REMARQUE : Lors de la coupe de pièces étroites, s'assurer que les petits morceaux ne demeurent pas coincés à l'intérieur du pare-main inférieur.

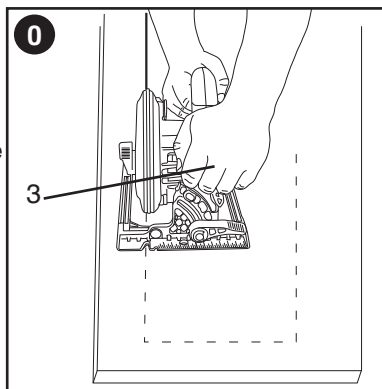
CONSEILS POUR UNE UTILISATION OPTIMALE

- Comme il est impossible d'éviter des éclats le long de la ligne de coupe sur la partie supérieure de l'ouvrage, couper sur le côté où les éclats sont tolérés.
- Lorsque les éclats doivent être limités, par exemple lors de la coupe de stratifiés, fixer une planche de contreplaqué sur la partie supérieure de l'ouvrage.

DÉCOUPE EN POCHE (FIGURE O)

⚠ AVERTISSEMENT : Ne jamais fixer le protège-lame en position élevée. Ne jamais déplacer la scie vers l'arrière lors de la coupe en poche, car elle peut alors se soulever de la pièce, ce qui risque de provoquer une blessure.

- Une coupe en poche est une coupe effectuée dans un plancher, un mur ou toute autre surface plane.
- Régler la plaque d'assise de la scie de sorte que la lame coupe à la profondeur voulue.
 - Incliner la scie vers l'avant et faire reposer la partie avant de la plaque d'assise sur la pièce à couper.
 - Au moyen du levier d'escamotage, relever le pare-main inférieur. Abaisser l'arrière de la plaque d'assise jusqu'à ce que les dents de la lame touchent presque le trait de coupe.
 - Relâcher le pare-main (son contact avec la pièce permettra de le maintenir en place et de l'ouvrir librement au moment d'amorcer la coupe). Cesser de tenir le levier du pare-main et saisir fermement

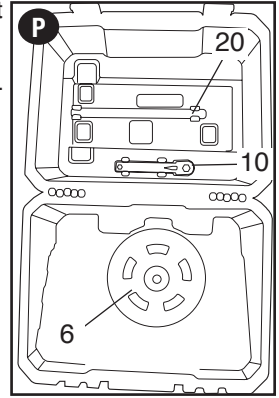


la poignée auxiliaire (3) comme le montre la **figure O**. Se placer le corps et la main de manière à pouvoir résister à tout effet de rebond si cela se produit.

- S'assurer que la lame ne touche pas la surface à couper avant le démarrage de la scie.
- Démarrer le moteur et abaisser lentement la scie jusqu'à ce que la plaque d'assise repose à plat contre la pièce à couper. Avancer la scie le long de la ligne de coupe jusqu'à ce que la coupe soit terminée.
- Relâcher la gâchette et attendre que la lame s'immobilise complètement, puis retirer la lame de la pièce.
- Lors de l'amorce d'une nouvelle coupe, répéter les étapes précédentes.

RANGEMENT DE LA CLÉ ET DES ACCESSOIRES

La clé (10) est rangée dans le boîtier de transport de la BTE300 comme l'illustre la **figure P**. Il est aussi possible de ranger d'autres lames (6) dans le boîtier ainsi qu'un guide longitudinal facultatif (20).



DÉPANNAGE

Problème

- L'appareil refuse de démarrer.

Cause possible

- Cordon d'alimentation non branché.
- Le fusible du circuit est grillé.
- Le disjoncteur est déclenché.
- Le cordon d'alimentation ou la prise de courant est endommagé(e).

Solution possible

- Brancher l'outil dans une prise qui fonctionne.
- Remplacer le fusible du circuit. (Si le produit fait griller de façon répétée le fusible du circuit, arrêter immédiatement d'utiliser le produit et le faire réparer dans un centre de réparation Bostitch ou un centre de réparation autorisé.)
- Remettre le disjoncteur à zéro. (Si le produit fait déclencher de façon répétée le disjoncteur, arrêter immédiatement d'utiliser le produit et le faire réparer dans un centre de réparation Bostitch ou un centre de réparation autorisé.)
- Faire remplacer le cordon ou l'interrupteur au centre de réparation Bostitch ou à un centre de réparation autorisé.

Pour de l'aide avec l'outil, consulter notre site Web www.bostitch.com pour l'emplacement du centre de réparation le plus près ou communiquer avec l'assistance Bostitch au (800) 262 2161.

ENTRETIEN

N'utiliser qu'un détergent doux et un chiffon humide pour nettoyer l'appareil. Ne jamais laisser de liquide pénétrer dans l'appareil et n'immerger aucune partie de l'appareil dans un liquide.

PIÈCES DE RECHANGE

Utiliser seulement des pièces de rechange identiques. Pour obtenir une liste des pièces de rechange ou pour en commander, consulter le site Web www.bostitch.com. Il est également possible de commander des pièces au centre de réparation de l'usine Bostitch et au centre de réparation sous garantie autorisé Bostitch le plus près. Ou composer le (800) 262 2161. pour le service à la clientèle.

ENTRETIEN ET RÉPARATION

Ce produit n'est pas réparable par l'utilisateur. Aucune pièce à l'intérieur du chargeur ne peut être réparée par l'utilisateur. Pour éviter tout dommage aux composants internes sensibles à l'électricité statique, faire effectuer toute réparation par un centre de réparation autorisé. Pour de plus amples renseignements à propos de Bostitch, ses centres de réparation en usine ou ses centres de réparation sous garantie autorisés, visiter notre site Web au www.bostitch.com ou communiquer avec notre centre de service à la clientèle en composant le (800) 262 2161. Toutes les réparations effectuées dans nos centres de réparation sont entièrement garanties contre les défauts de matériaux et de main-d'oeuvre. Nous ne pouvons pas garantir les réparations effectuées en partie ou totalement par d'autres.

Pour de plus amples renseignements par courrier, écrire à Bostitch, 701 E. Joppa Road, Towson, Maryland 21286 - à l'attention de : Product Service. S'assurer d'indiquer toutes les informations figurant sur la plaque signalétique de l'outil (numéro du modèle, type, numéro de série, etc.).

ACCESSOIRES

⚠ AVERTISSEMENT : Puisque les accessoires autres que ceux offerts par Bostitch n'ont pas été testés avec ce produit, l'utilisation de ceux-ci avec l'outil pourrait s'avérer dangereuse. Pour réduire le risque de blessures, utiliser exclusivement les accessoires Bostitch recommandés avec le produit.

Les centres de réparation de l'usine Bostitch ou les centres de réparation sous garantie autorisés Bostitch sont en mesure de vous fournir la gamme complète d'accessoires. Consulter le site Web www.bostitch.com pour obtenir un catalogue ou le nom du fournisseur local.

GARANTIE LIMITÉE DE TROIS ANS

Bostitch réparera ou remplacera gratuitement tous les outils défectueux présentant des défauts de matériau ou de fabrication pendant trois ans à compter de la date d'achat [garantie de deux ans pour les blocs-piles]. Cette garantie ne couvre pas des défaillances de pièce dues à une usure normale ou à une mauvaise utilisation de l'outil. Pour plus de détails relatifs à la couverture de la garantie et aux réparations sous garantie, visiter le site www.bostitch.com ou composer le (800) 262 2161.

Cette garantie ne s'applique pas aux accessoires ni aux dommages causés par des réparations réalisées ou tentées par des tiers. Cette garantie vous accorde des droits légaux spécifiques et il est possible que vous ayez d'autres droits qui varient d'un État ou d'une province à l'autre.

En plus de la garantie, les outils Bostitch sont couverts par notre :

SERVICE D'ENTRETIEN GRATUIT D'UN (1) AN : Bostitch entretiendra l'outil et remplacera les pièces usées par une utilisation normale, et ce, gratuitement et à tout instant pendant la première année à compter de la date d'achat.

GARANTIE DE REMBOURSEMENT DE 90 JOURS : Si l'utilisateur n'est pas entièrement satisfait des performances de son outil électrique Bostitch pour une raison quelconque, il peut le retourner accompagné du reçu dans les 90 jours suivant la date d'achat, et nous le lui rembourserons entièrement - sans poser de question.

AMÉRIQUE LATINE : cette garantie ne s'applique pas aux produits vendus en Amérique latine. Pour ceux-ci, veuillez consulter les informations relatives à la garantie spécifique présente dans l'emballage, appeler l'entreprise locale ou consulter le site Web pour les informations relatives à cette garantie.

Pour enregistrer l'outil en vue d'obtenir un service de garantie, consulter notre site Web au www.bostitch.com.

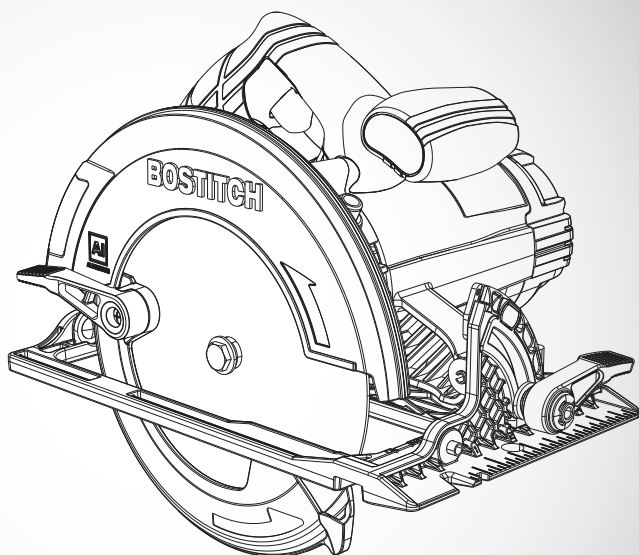
REMPLACEMENT DES ÉTIQUETTES D'AVERTISSEMENT

Si vos étiquettes d'avertissement sont illisibles ou manquantes, contactez le (800) 262 2161 pour en obtenir le remplacement gratuit.

Importé par Bostitch
701 E. Joppa Road
Towson, Maryland 21286

BTE300

BOSTITCH[®]



15 A

Sierras circulares de 184mm (7-1/4"), 15 amperios

INSTRUCTIVO DE OPERACIÓN, CENTROS DE SERVICIO Y PÓLIZA DE GARANTÍA.
⚠ **ADVERTENCIA:** LÉASE ESTE INSTRUCTIVO ANTES DE USAR EL PRODUCTO.

PAUTAS DE SEGURIDAD/DEFINICIONES

Es importante que lea y comprenda este manual. La información que contiene se relaciona con la protección de SU SEGURIDAD y la PREVENCIÓN DE PROBLEMAS. Los símbolos que siguen se utilizan para ayudarlo a reconocer esta información.

- ⚠ **PELIGRO:** indica una situación de peligro inminente que, si no se evita provocará la muerte o lesiones graves.
- ⚠ **ADVERTENCIA:** indica una situación de peligro potencial que, si no se evita, provocará la muerte o lesiones graves.
- ⚠ **PRECAUCIÓN:** indica una situación de peligro potencial que, si no se evita, provocará lesiones leves o moderadas.

PRECAUCIÓN: utilizado sin el símbolo de alerta de seguridad indica una situación de peligro potencial que, si no se evita, puede provocar daños en la propiedad.

Advertencias generales de seguridad para herramientas eléctricas

⚠️ ADVERTENCIA: Lea todas las advertencias de seguridad e instrucciones. El incumplimiento de las advertencias e instrucciones puede provocar descargas eléctricas, incendios o lesiones graves.

Conservar todas las advertencias e instrucciones para futuras consultas. El término “herramienta eléctrica” incluido en las advertencias hace referencia a las herramientas eléctricas operadas con corriente (con cable eléctrico) o a las herramientas eléctricas operadas con baterías (inalámbricas).

1) Seguridad en el área de trabajo

- Mantenga el área de trabajo limpia y bien iluminada.** *Las áreas abarrotadas y oscuras propician accidentes.*
- No opere herramientas eléctricas en atmósferas explosivas, como ambientes donde se encuentran líquidos, gases o polvo inflamables.** *Las herramientas eléctricas originan chispas que pueden encender el polvo o los vapores.*
- Mantenga a los niños y espectadores alejados de la herramienta eléctrica en funcionamiento.** *Las distracciones pueden provocar la pérdida de control.*

2) Seguridad eléctrica

- Los enchufes de la herramienta eléctrica deben adaptarse al tomacorriente. Nunca modifique el enchufe de ninguna manera. No utilice ningún enchufe adaptador con herramientas eléctricas con conexión a tierra.** *Los enchufes no modificados y que se adaptan a los tomacorrientes reducirán el riesgo de descarga eléctrica.*
- Evite el contacto corporal con superficies puestas a tierra, como por ejemplo tuberías, radiadores, rangos y refrigeradores.** *Existe mayor riesgo de descarga eléctrica si su cuerpo está puesto a tierra.*
- No exponga las herramientas eléctricas a la lluvia o a condiciones de humedad.** *Si ingresa agua a una herramienta eléctrica, aumentará el riesgo de descarga eléctrica.*
- No maltrate al cable. Nunca utilice el cable para transportar, tirar o desenchufar la herramienta eléctrica. Mantenga el cable lejos del calor, aceite, bordes afilados o piezas móviles.** *Los cables dañados o enredados aumentan el riesgo de descarga eléctrica.*
- Al operar una herramienta eléctrica en el exterior, utilice un cable prolongador adecuado para tal uso.** *Utilice un cable adecuado para uso en exteriores a fin de reducir el riesgo de descarga eléctrica.*
- Si el uso de una herramienta eléctrica en un lugar húmedo es imposible de evitar, utilice un suministro protegido con un interruptor de circuito por falla a tierra (GFCI).** *El uso de un GFCI reduce el riesgo de descargas eléctricas.*

3) Seguridad personal

- Permanezca alerta, controle lo que está haciendo y utilice el sentido común cuando emplee una herramienta eléctrica.** *No utilice una herramienta eléctrica si está cansado o bajo el efecto de drogas, alcohol o medicamentos. Un momento de descuido mientras se opera una herramienta eléctrica puede provocar lesiones personales graves.*
- Utilice equipos de protección personal. Siempre utilice protección para los ojos.** *En las condiciones adecuadas, el uso de equipos de protección, como máscaras para polvo, calzado de seguridad antideslizante o protección auditiva, reducirá las lesiones personales.*
- Evite el encendido por accidente. Asegúrese de que el interruptor esté en la posición de apagado antes de conectarlo a la fuente de energía o paquete de baterías, o antes de levantar o transportar la herramienta.** *Transportar herramientas eléctricas con el dedo apoyado en el interruptor o enchufar herramientas eléctricas con el interruptor en la posición de encendido puede propiciar accidentes.*
- Retire las clavijas de ajuste o llaves de tuercas antes de encender la herramienta eléctrica.** *Una llave de tuercas o una clavija de ajuste que se deje conectada a una pieza giratoria de la herramienta eléctrica pueden provocar lesiones personales.*
- No se estire. Conserve el equilibrio adecuado y manténgase parado correctamente en todo momento.** *Esto permite un mejor control de la herramienta eléctrica en situaciones inesperadas.*
- Use la vestimenta adecuada. No use ropas holgadas ni joyas. Mantenga el cabello, la ropa y los guantes alejados de las piezas en movimiento.** *Las*

ropas holgadas, las joyas o el cabello largo pueden quedar atrapados en las piezas en movimiento.

- g) **Si se suministran dispositivos para la conexión de accesorios con fines de recolección y extracción de polvo, asegúrese de que estén conectados y que se utilicen correctamente.** *El uso de dispositivos de recolección de polvo puede reducir los peligros relacionados con el polvo.*
- 4) **Uso y mantenimiento de la herramienta eléctrica**
- a) **No fuerce la herramienta eléctrica. Utilice la herramienta eléctrica correcta para el trabajo que realizará.** *La herramienta eléctrica correcta hará el trabajo mejor y más seguro a la velocidad para la que fue diseñada.*
- b) **No utilice la herramienta eléctrica si no puede encenderla o apagarla con el interruptor.** *Toda herramienta eléctrica que no puede ser controlada mediante el interruptor es peligrosa y debe ser reparada.*
- c) **Desconecte el enchufe de la fuente de energía y/o el paquete de baterías de la herramienta eléctrica antes de realizar ajustes, cambiar accesorios o almacenar herramientas eléctricas.** *Estas medidas de seguridad preventivas reducen el riesgo de encender la herramienta eléctrica en forma accidental.*
- d) **Guarde las herramientas eléctricas que no están en uso fuera del alcance de los niños y no permite que otras personas no familiarizadas con ella o con estas instrucciones operen la herramienta.** *Las herramientas eléctricas son peligrosas en las manos de usuarios no entrenados.*
- e) **Mantenimiento de las herramientas eléctricas. Controle que no haya piezas móviles mal alineadas o trabadas, piezas rotas y toda otra situación que pueda afectar el funcionamiento de las herramientas eléctricas. Si encuentra daños, haga reparar la herramienta eléctrica antes de utilizarla.** *Se producen muchos accidentes a causa de las herramientas eléctricas que carecen de un mantenimiento adecuado.*
- f) **Mantenga las herramientas de corte afiladas y limpias.** *Las herramientas de corte con mantenimiento adecuado, con los bordes de corte afilados son menos propensas a trabarse y son más fáciles de controlar.*
- g) **Utilice la herramienta eléctrica, los accesorios y las brocas de la herramienta, etc. de acuerdo con estas instrucciones y teniendo en cuenta las condiciones de trabajo y el trabajo que debe realizarse.** *El uso de la herramienta eléctrica para operaciones diferentes de aquéllas para las que fue diseñada podría originar una situación peligrosa.*
- 5) **Mantenimiento**
- a) **Haga que una persona de reparaciones calificada realice el mantenimiento de su herramienta eléctrica y utilice piezas de repuesto idénticas solamente.** *Esto garantizará la seguridad de la herramienta eléctrica.*

NORMAS DE SEGURIDAD ESPECÍFICAS ADICIONALES

INSTRUCCIONES DE SEGURIDAD PARA TODAS LAS SIERRAS

⚠ PELIGRO:

- a. **Mantenga las manos alejadas del área de corte y de la hoja. Mantenga la segunda mano en el mango auxiliar o en la carcasa del motor.** Si las dos manos están sujetando la sierra, no pueden ser cortadas por la hoja.
- b. **No ponga las manos debajo de la pieza de trabajo.** El protector no puede protegerle de la hoja debajo de la pieza de trabajo.
- c. **Ajuste la profundidad de corte al grosor de la pieza de trabajo.** Menos de un diente completo de los dientes de la hoja debe ser visible debajo de la pieza de trabajo.
- d. **No sujete nunca la pieza que esté cortando en las manos o atravesada sobre una pierna. Sujete firmemente la pieza de trabajo a una plataforma estable.** Es importante soportar apropiadamente la pieza de trabajo para minimizar la exposición del cuerpo, el atasco de la hoja o la pérdida de control.
- e. **Sujete la herramienta mecánica por las superficies de agarre con aislamiento cuando realice una operación en la que la herramienta de corte podría entrar en contacto con cables ocultos o con su propio cable de alimentación.** El contacto con un cable "con corriente" hará que las partes metálicas de la herramienta mecánica que estén al descubierto también "lleven corriente", lo cual causará descargas al operador.
- f. **Cuando corte al hilo, utilice siempre un tope-guía para cortar al hilo o una guía de borde recto.** Esto mejora la precisión del corte y reduce las probabilidades

de que la hoja se atasque.

- g. **Utilice siempre hojas que tengan el tamaño correcto y la forma correcta (de diamante frente a redonda) de agujeros para el eje portaherramienta.** Las hojas que no coincidan con los herrajes de montaje de la sierra funcionarán excéntricamente, causando pérdida de control.
- h. **No use nunca arandelas de hoja o un perno de hoja que estén dañados o sean incorrectos.** Las arandelas y el perno de la hoja se diseñaron especialmente para su sierra, con el fin de lograr un rendimiento óptimo y una seguridad óptima de funcionamiento.

CAUSAS DEL RETROCESO Y SU PREVENCIÓN POR PARTE DEL OPERADOR

- El retroceso es una reacción repentina a una hoja de sierra pellizcada, atascada o desalineada, que hace que una sierra descontrolada se levante y se salga de la pieza de trabajo, hacia el operador.
- Cuando la hoja se pellizca o se atasca fuertemente al cerrarse la sección de corte, la hoja se para y la reacción del motor impulsa la unidad rápidamente hacia atrás, hacia el operador.
- Si la hoja se tuerce o se desalinea en el corte, los dientes ubicados en el borde trasero de la hoja pueden penetrar en la superficie superior de la madera, haciendo que la hoja trepe, se salga de la sección de corte y salte hacia atrás, hacia el operador.

El retroceso es el resultado de un uso inapropiado de la sierra y/o de procedimientos o situaciones de utilización incorrectos y se puede evitar tomando las precauciones apropiadas que se indican a continuación:

- a. **Mantenga un agarre firme con las dos manos en la sierra y posicione los brazos de modo que puedan resistir las fuerzas de retroceso.** Las fuerzas de retroceso pueden ser controladas por el operador, si se toman las precauciones adecuadas.
- b. **Cuando la hoja se esté atascando o cuando se interrumpa un corte por cualquier motivo, suelte el gatillo y sujete la sierra de modo que esté inmóvil en el material hasta que la hoja se detenga por completo. No intente nunca retirar la sierra de la pieza de trabajo ni tirar de la sierra hacia atrás mientras la hoja esté en movimiento o se podría producir retroceso.** Investigue y tome medidas correctivas para eliminar la causa de atasco de la hoja.
- c. **Cuando re arranque una sierra en la pieza de trabajo, centre la hoja de sierra en la sección de corte y asegúrese de que los dientes de la hoja de sierra no estén acoplados en el material.** Si la hoja de sierra se está atascando, podría desplazarse o experimentar retroceso respecto a la pieza de trabajo cuando se arranque la sierra.
- d. **Soporte los paneles grandes para minimizar el riesgo de que la hoja se pellizque y se produzca retroceso.** Los paneles grandes tienden a combarse bajo su propio peso. Se deben colocar soportes debajo del panel a ambos lados, cerca de la línea de corte y cerca del borde del panel.
- e. **No use hojas desafiladas o dañadas.** Las hojas desafiladas o con triscado inapropiado producen una sección de corte estrecha que causa fricción excesiva, atasco de la hoja y retroceso.
- f. **Las palancas de fijación de ajuste de la profundidad y del bisel de la hoja deben estar apretadas y sujetas firmemente antes de realizar el corte.** Si el ajuste de la hoja cambia mientras se realiza el corte, dicho cambio podría causar atasco y retroceso.
- g. **Tenga precaución adicional cuando haga un “corte por penetración” en paredes existentes u otras áreas ciegas.** La hoja que sobresale podría cortar objetos que pueden causar retroceso.

INSTRUCCIONES DE SEGURIDAD PARA EL PROTECTOR INFERIOR

- a. **Compruebe el protector inferior para verificar si se cierra apropiadamente antes de cada uso.** No utilice la sierra si el protector inferior no se mueve libremente y no se cierra instantáneamente. No sujete nunca con abrazaderas ni amarre el protector inferior en la posición abierta. Si la sierra se cae accidentalmente, el protector inferior se podría doblar. Suba el protector inferior con el mango retráctil y asegúrese de que se mueve libremente y no toca la hoja ni ninguna otra pieza, en todos los ángulos y profundidades de corte.
- b. **Compruebe el funcionamiento del resorte del protector inferior.** Si el protector y el resorte no están funcionando correctamente, se les debe hacer servicio de ajustes

y reparaciones antes de la utilización. El protector inferior podría funcionar con dificultad debido a que haya piezas dañadas, depósitos gomosos o una acumulación de residuos.

- c. **El protector inferior se debe retraer manualmente sólo para realizar cortes especiales, tales como “cortes por penetración” y “cortes compuestos”.** Suba el protector inferior por el mango retráctil y, en cuanto la hoja entre en el material, se debe soltar el protector inferior. Para todas las demás operaciones de aserrado, el protector inferior debe funcionar automáticamente.
- d. **Asegúrese siempre de que el protector inferior esté cubriendo la hoja antes de dejar la sierra en un banco de trabajo o en el piso.** Una hoja que se esté moviendo por inercia hasta detenerse y no esté protegida hará que la sierra se desplace hacia atrás, cortando todo aquello que esté en su camino. Tenga en cuenta el tiempo que se requiere para que la hoja se detenga después de soltar el interruptor.

INSTRUCCIONES DE SEGURIDAD ADICIONALES

- **Utilice abrazaderas u otra forma práctica para asegurar y soportar la pieza de trabajo en una plataforma estable.** Sostener la pieza de trabajo con la mano o contra el cuerpo no brinda la estabilidad requerida y puede llevar a la pérdida del control.
- **Mantenga el cuerpo a un u otro lado de la hoja de la sierra, nunca en línea con la misma.** El RETROCESO podría despedir la sierra hacia atrás (vea Causas del retroceso y prevención por parte del operador y RETROCESO).
- **Evite cortar clavos. Inspeccione si hay clavos. Retire todos los clavos de la madera antes de cortar.**
- **Siempre asegúrese de que nada interfiera con el movimiento del protector inferior de la hoja.**
- **Los accesorios deben estar clasificados para la velocidad recomendada en la etiqueta de advertencia de la herramienta, como mínimo.** Los discos y otros accesorios que funcionen por encima de su velocidad nominal pueden desarmarse y provocar lesiones. La capacidad nominal de los accesorios siempre debe ser superior a la velocidad de la herramienta, indicada en la placa de la misma.
- Siempre asegúrese de que todos los componentes estén montados correcta y firmemente antes de utilizar la herramienta.
- Siempre manipule la hoja de la sierra con cuidado al montarla o retirarla.
- Siempre espere hasta que el motor haya alcanzado la velocidad máxima antes de iniciar un corte.
- Siempre mantenga los mangos secos, limpios y libres de aceite y grasa. Sostenga la herramienta firmemente con ambas manos cuando esté en uso.
- Siempre esté alerta en todo momento, especialmente durante operaciones repetitivas y monótonas. Siempre asegúrese de la posición de sus manos con respecto a la hoja.
- Manténgase alejado de los pedazos de los extremos que pueden caer después de cortarlos. Estos pueden estar calientes, filosos y/o ser pesados. Pueden producirse graves lesiones personales.
- Reemplace o repare los cables dañados. Asegúrese de que el cable prolongador esté en buenas condiciones. Utilice solamente cables prolongadores de 3 conductores que tengan enchufes a tierra de 3 patas y receptáculos tripolares que se adapten al enchufe de la herramienta.
- **Para garantizar la seguridad, un cable prolongador debe tener un tamaño de cable adecuado (AWG o Calibre de conductor de Estados Unidos).** Cuanto más pequeño sea el número de calibre del conductor, mayor será la capacidad del cable; es decir, un calibre 16 tiene más capacidad que un calibre 18. Un cable de menor capacidad provocará una disminución en el voltaje de la línea, lo cual producirá una pérdida de potencia y sobrecalentamiento. Cuando se utiliza más de una prolongación para lograr la longitud total, asegúrese de que cada prolongación tenga la medida mínima del conductor. La siguiente tabla muestra la medida correcta que debe usar según la longitud del cable y la capacidad nominal en amperios indicada en la placa. En caso de duda, utilice el calibre inmediatamente superior. Cuanto menor sea el número de calibre, más grueso será el cable.

		Calibre mínimo para cables de extensión			
Volts	Longitud total del cable en pies				
120V	0-25	26-50	51-100	101-150	
	(0-7,6m)	(7,6-15,2m)	(15,2-30,4m)	(30,4-45,7m)	
240V	0-50	51-100	101-200	201-300	
	(0-15,2m)	(15,2-30,4m)	(30,4-60,9m)	(60,9-91,4m)	
Amperaje		American Wire Gauge			
	Más de	No más de			
0	- 6	18	16	16	14
6	- 10	18	16	14	12
10	- 12	16	16	14	12
12	- 16	14	12	No se recomienda	

⚠ PRECAUCIÓN: Las cuchillas después de apagar. Daños personales serios.

⚠ ADVERTENCIA: Durante el uso, utilice siempre protección auditiva adecuada que cumpla con la norma ANSI S12.6 (S3.19). En ciertas circunstancias y según el período de uso, el ruido de este producto puede contribuir a la pérdida de audición.

⚠ ADVERTENCIA: Utilice siempre protección ocular adecuada. Todos los usuarios y espectadores deben usar protección adecuada para los ojos que cumpla con la norma ANSI Z87.1.

⚠ ADVERTENCIA: USE SIEMPRE LENTES DE SEGURIDAD. Los anteojos de uso diario NO son lentes de seguridad. Utilice también máscaras faciales o para polvo si el corte produce polvillo. UTILICE SIEMPRE EQUIPOS DE SEGURIDAD CERTIFICADOS:

- Protección para los ojos según la norma ANSI Z87.1 (CAN/CSA Z94.3)
- Protección auditiva según la norma ANSI S12.6 (S3.19)
- Protección respiratoria según las normas NIOSH/OSHA/MSHA

⚠ ADVERTENCIA: parte del polvo producido por las herramientas eléctricas al lijar, aserrar, esmerilar, taladrar y realizar otras actividades de la construcción, contiene productos químicos reconocidos por el Estado de California como causantes de cáncer, defectos de nacimiento u otros problemas reproductivos.

Algunos de estos productos químicos son:

- el plomo de las pinturas de base plomo,
- la sílice cristalina de ladrillos, el cemento y otros productos de mampostería, y
- el arsénico y el cromo de la madera con tratamiento químico.

El riesgo derivado de estas exposiciones varía según la frecuencia con la que se realice este tipo de trabajo. Para reducir la exposición a estos productos químicos: trabaje en áreas bien ventiladas y trabaje con equipos de seguridad aprobados, como las máscaras para polvo especialmente diseñadas para filtrar las partículas microscópicas.

- Evite el contacto prolongado con el polvo proveniente del lijado, aserrado, amolado y taladrado eléctrico y otras actividades de construcción. Use vestimenta protectora y lave todas las áreas expuestas con agua y jabón. De entrar polvo en sus ojos, boca, o que este permanezca sobre su piel puede promover la absorción de químicos dañinos.

⚠ ADVERTENCIA: El uso de esta herramienta puede generar y/o dispersar el polvo, el cual puede ocasionar lesión respiratoria u otro tipo de lesión grave y permanente. Utilice siempre protección respiratoria NIOSH/OSHA apropiada para la exposición al polvo. Dirija las partículas lejos de su cara o su cuerpo.

Símbolos

- La etiqueta de su herramienta puede incluir los siguientes símbolos. Los símbolos y sus definiciones son los siguientes:

V..... voltios

Hz..... hertz

min..... minutos

--- o DC.....corriente directa

⚠..... Construcción Clase I
(mis à la terre)

⚠..... Construcción de clase II

RPM o .../min.....revoluciones o minuto seguridad

📖 Lea el manual de instrucciones antes del uso

👤..... Use protección adecuada para las vías respiratorias

👁..... Use protección adecuada para los ojos

👂..... Use protección adecuada para los oídos

A..... amperios

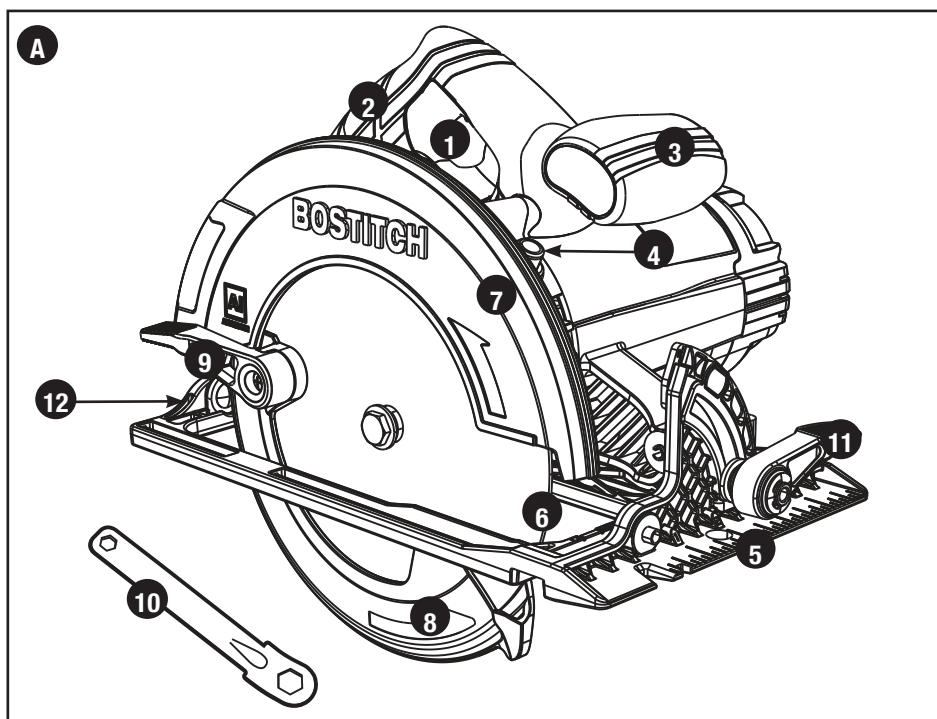
W..... vatios

~ o AC.....corriente alterna

n₀..... no velocidad sin carga

⊕..... terminal a tierra

⚠..... simbolo de alerta

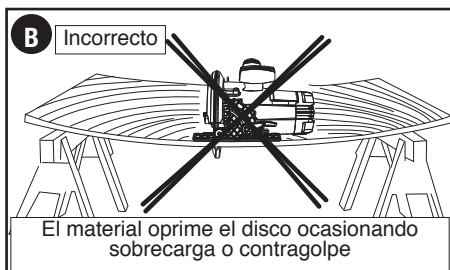


DESCRIPCIÓN DE LAS FUNCIONES - Figura A

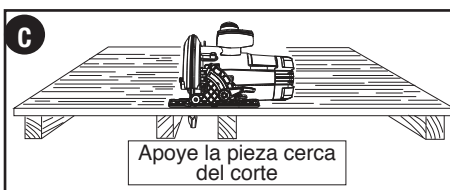
- | | |
|-------------------------------------|--|
| 1. Interruptor de encendido/apagado | 7. Parte superior hoja de Sierra protector |
| 2. Mango principal | 8. Baje la hoja de Sierra protector |
| 3. Mango secundario | 9. Palanca retráctil de la guarda de la hoja |
| 4. Botón de bloqueo del eje | 10. Llave para hoja de la sierra |
| 5. Zapata | 11. Palanca de ajuste del bisel |
| 6. Hoja de la sierra | 12. Palanca de ajuste de profundidad |

SOPORTE DE PANELES GRANDES/FIJACIÓN DE LA PIEZA DE TRABAJO

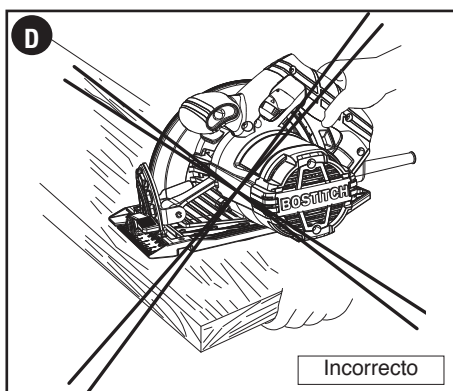
Sujete los paneles grandes para minimizar el riesgo de que la hoja se pellizque y se produzca el retroceso. Los paneles grandes tienden a combarse por su propio peso, como se muestra en la **figura B**.



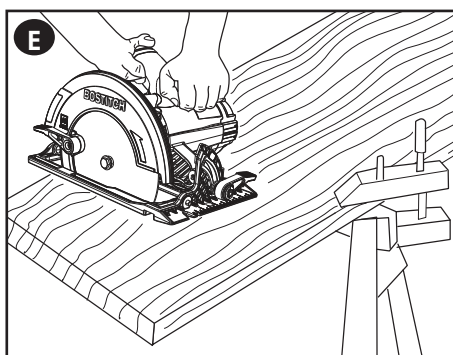
Se deben colocar soportes bajo el panel, a ambos lados, cerca de la línea de corte y cerca del borde del panel (**figura C**).



Nunca sostenga la pieza que está cortando con las manos ni contra la pierna (figura D).



Fije la pieza de trabajo a una plataforma estable, como se muestra en la figura E. Es importante sostener el trabajo correctamente para reducir al mínimo la exposición del cuerpo, el atascamiento de la hoja y la pérdida del control.



USO PREVISTO

Estas sierras circulares están diseñadas para aplicaciones profesionales de corte en madera.

⚠ ADVERTENCIA: NO utilice accesorios de alimentación de agua con esta sierra.

⚠ ADVERTENCIA: NO utilice hojas ni discos abrasivos.

⚠ ADVERTENCIA: NO utilice la unidad en condiciones de humedad ni en presencia de gases o líquidos inflamables.

ENSAMBLAJE/CONFIGURACIÓN

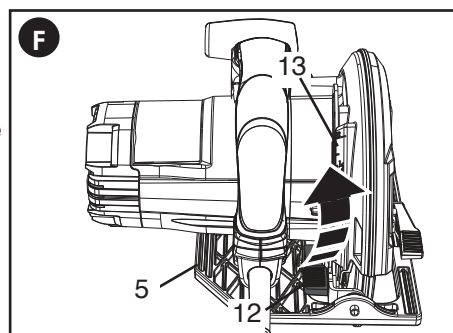
⚠ ADVERTENCIA: Desconecte siempre la sierra de la fuente de energía antes de realizar cualquiera de las siguientes operaciones.

⚠ ADVERTENCIA: Nunca modifique la herramienta eléctrica ni ninguna pieza de ésta. Puede ocasionar daños o lesiones personales.

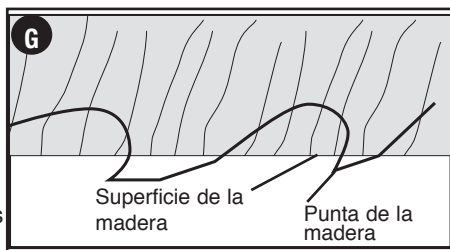
AJUSTE DE LA PROFUNDIDAD DE CORTE (FIG. F, G)

La profundidad de corte debe fijarse en función del grosor de la pieza de trabajo.

- Afloje la palanca (12) para desbloquear la zapata de la sierra. (Fig. F)
- Mueva la zapata de la sierra (5) hasta la posición deseada. La profundidad de corte correspondiente puede leerse en la escala (13).
- Apriete la palanca para bloquear la zapata de la sierra en el lugar.



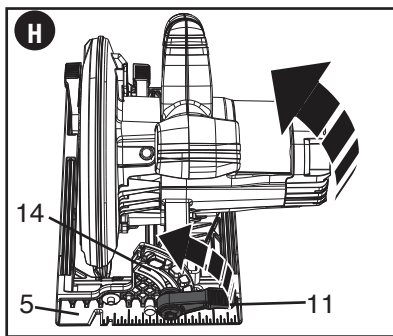
- Regule la profundidad de la sierra de manera que la mitad de un diente de la hoja sobresalga bajo la pieza de trabajo, como se muestra en la **Figura G**. Una profundidad de corte correcta de la sierra reduce la fricción de la hoja al mínimo, elimina las astillas que se encuentran entre los dientes de la hoja, permite un corte más rápido y sin sobrecalentamiento y reduce las posibilidades de retroceso de la hoja.



AJUSTE DEL ÁNGULO DE BISELADO (FIG. H)

La BTE300 puede fijarse a ángulos de bisel entre 0 y 55 grados.

- Afloje la palanca de bloqueo de bisel (11) para desbloquear la zapata de la sierra (5).
- Mueva la sierra a la posición deseada. El ángulo de bisel correspondiente puede leerse de la escala (14).
- Ajuste la palanca de bloqueo para bloquear la sierra en su lugar.

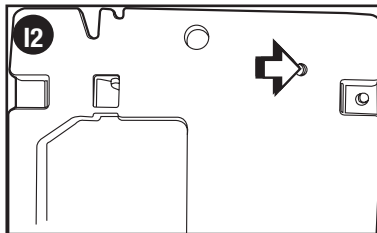
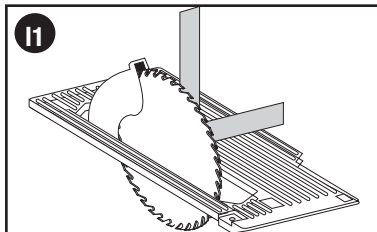


AJUSTE DE ZAPATA

⚠ ADVERTENCIA: SIEMPRE APAGUE Y DESCONECTE LA HERRAMIENTA ANTES DE CAMBIAR ACCESORIOS O REALIZAR ALGÚN AJUSTE. La zapata se ha fijado de fábrica para asegurar que la hoja esté perpendicular a la zapata. Si después de un uso prolongado, necesita realinear la hoja, siga las instrucciones a continuación:

AJUSTE PARA CORTES A 90 GRADOS

1. Devuelva la sierra al bisel de 0 grados.
2. Coloque la sierra de costado y retraiga el protector inferior.
3. Afloje la palanca de ajuste del bisel (10). Coloque una escuadra contra la hoja y la zapata como se muestra en la **Figura I1**.
4. Utilizando una llave hexagonal, gire el tornillo de fijación en la parte inferior de la zapata que se muestra en la **Figura I3** hasta que la hoja y la zapata estén en contacto al ras con la escuadra. Vuelva a ajustar la palanca de ajuste del bisel.

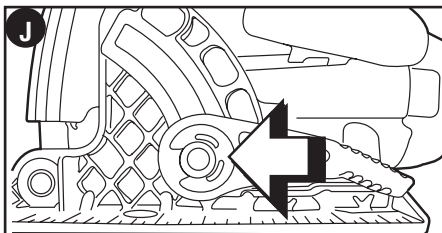


REALIZACIÓN DE AJUSTES EN LAS PALANCAS DE PROFUNDIDAD Y BISEL: (FIGURAS J)

Es posible que desee ajustar la palanca de ajuste de la profundidad o la palanca de ajuste del bisel. Estas pueden aflojarse con el tiempo y golpear la zapata antes del ajuste.

Para ajustar las palancas del modelo BTE300, siga los pasos a continuación:

- Retire el anillo de retención (que se muestra en la **Figura J**) y la arandela plana delgada. Consérvelos para el reensamblaje.
- Retire la palanca, gírela una posición hacia la izquierda y deslícela en el componente.
- Reinstale la arandela plana y el anillo de bloqueo con el lado cóncavo contra la palanca.

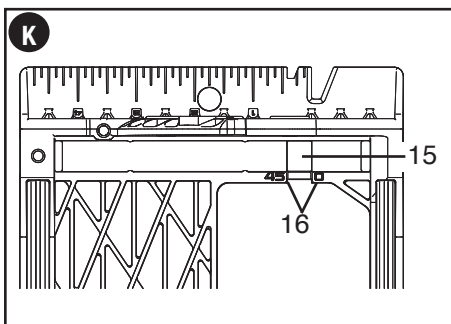


INDICADOR DE CORTE (FIGURA K)

La parte frontal de la sierra tiene un indicador de corte para los cortes verticales y biselados. Este indicador le permite guiar la sierra a lo largo de las líneas de corte marcadas con lápiz en el material que desea cortar. El indicador se alinea con el costado izquierdo (interior) de la hoja de la sierra, que produce la ranura o corte ("kerf") de la sierra en movimiento al bajar a la derecha del indicador.

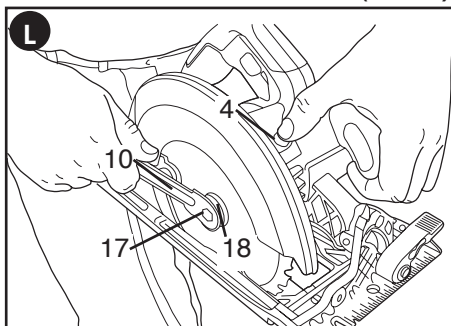
Además, el modelo PC15TCSM tiene indicadores visuales a 0 y 45 grados:

los costados izquierdo y derecho correspondientes de la ventana de la ranura de la guía de corte (vea el elemento 15 en la Fig. K), y también indicadores etiquetados a 0 y 45 grados justo delante de la ranura de la hoja (vea el elemento 16 en la Fig. K). Observe que el protector superior ha sido retirado de la Fig. K para mayor claridad.



CÓMO COLOCAR Y RETIRAR LA HOJA EXTRACCIÓN DE LA HOJA (FIG. L)

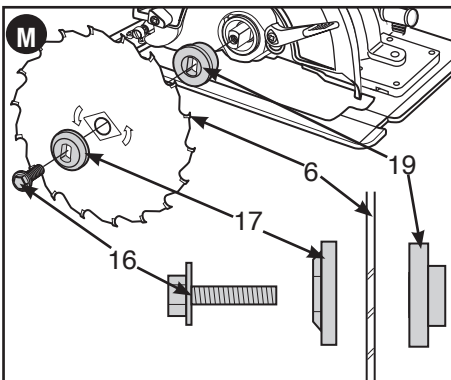
- Mantenga presionado el botón de bloqueo del eje (4) y gire la hoja hasta que el bloqueo del eje se trabase.
 - Afloje y retire el tornillo que retiene la hoja (17) girándolo en sentido contrario a las agujas del reloj con la llave (10) provista.
 - Retire la arandela exterior (18).
 - Extraiga la hoja de la sierra (6).
- NOTA:** No retire la arandela interior (19) de la Figura M.



COLOCACIÓN DE LA HOJA (FIG. M)

- Utilizando la palanca retráctil del protector inferior de la hoja, repliegue el protector inferior de la hoja.
- Coloque la hoja de la sierra (6), sobre el eje, asegurándose de que la flecha de la hoja apunte en la misma dirección que la flecha de la herramienta. Suelte la palanca del protector inferior.
- Calce la arandela exterior (17) en el eje, con la superficie plana más grande contra la hoja.
- Inserte el tornillo que retiene la hoja (16) en el orificio.
- Mantenga oprimido el botón del bloqueo del eje (4).
- Asegure el tornillo que retiene la hoja girándolo en sentido de las agujas del reloj con la llave (10) provista.

NOTA: No se debe retirar la brida interna (19). En caso de retirarla, reemplázela tal como se muestra en la figura M.



PROTECTOR INFERIOR DE LA HOJA

⚠ ADVERTENCIA: El protector inferior de la hoja es un dispositivo de seguridad que reduce el riesgo de lesiones personales graves. Nunca utilice la sierra si el protector inferior falta, está dañado, mal montado o no funciona correctamente. No confíe en el protector inferior de la hoja para protegerse bajo ninguna circunstancia. Su seguridad depende de que respete todas las advertencias y precauciones y también de un funcionamiento adecuado de la sierra. Antes de cada uso, verifique que el protector inferior cierre correctamente como se describe en la sección Normas de seguridad específicas adicionales. Si el protector inferior de la hoja falta o no funciona

adecuadamente, haga reparar la sierra antes de usarla. Para garantizar la seguridad y la confiabilidad del producto, las reparaciones, el mantenimiento y los ajustes se deben realizar en los centros de mantenimiento autorizados o en otras organizaciones de mantenimiento calificadas, y siempre deben utilizarse piezas de repuesto idénticas.

⚠ ADVERTENCIA: Para reducir el riesgo de lesiones personales graves, lea, comprenda y siga todas las advertencias de seguridad y las instrucciones antes de usar la herramienta.

CORTES GENERALES (IMPORTANTE: LEA LAS INSTRUCCIONES Y LAS ADVERTENCIAS DE SEGURIDAD.)

PREVIÉNGASE DE RETROCESOS

Con la unidad desenchufada, siga todas las instrucciones de montaje, regulación e instalación. Asegúrese de que el protector inferior funciona. Seleccione la hoja correcta para el material a cortar.

- Mida y marque el trabajo para cortarlo.
- Sostenga y asegure correctamente el trabajo (consulte las Instrucciones y las Normas de seguridad).
- Utilice los equipos de seguridad apropiados y requeridos (consulte las Normas de seguridad).
- Afirme y sostenga el área de trabajo (consulte las Normas de seguridad).
- Mientras el enchufe está colocado y el protector está cerrado, asegúrese de que el interruptor encienda y apague la sierra.

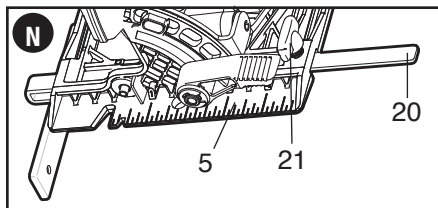
⚠ ADVERTENCIA: Es importante apoyar bien la pieza sobre la que se trabaja y sostener la sierra firmemente para evitar la pérdida de control, que podría provocar lesiones personales. La **Figura E** ilustra la postura recomendada para la mano.

COLOCACIÓN Y EXTRACCIÓN DE UNA GUÍA DE CORTE (NO INCLUIDA EN PC15TCSM) (FIGURA N)

La guía de corte se utiliza para aserrar en una línea recta paralela al borde de la pieza de trabajo.

COLOCACIÓN

- Inserte la guía de corte (20) a través de las aberturas de la zapata (5).
- Deslice la guía de corte a la posición deseada.
- Enrosque la perilla de bloqueo (21) y ajústela.



EXTRACCIÓN

- Afloje la perilla de bloqueo (21).
- Tire de la guía de corte y sáquela de la herramienta.

NOTA: Si no tiene una guía de corte que calce correctamente, use una guía para bordes rectos en contacto con el borde de la zapata para mejorar la precisión del corte y reducir la posibilidad de atascamiento y retroceso.

FUNCIONAMIENTO

Para reducir el riesgo de lesiones personales graves, apague la herramienta y desconéctela de la fuente de alimentación antes de realizar ajustes o de retirar/instalar cualquier dispositivo o accesorio.

⚠ ADVERTENCIA: IMPORTANTE: Siempre asegúrese de que la palanca de bloqueo del ajuste de profundidad esté en la posición de abajo antes de operar la sierra.

INTERRUPTOR

- Para operar la herramienta, oprima el interruptor disparador (1) de la **Figura A**. La herramienta continuará funcionando mientras se mantenga oprimido el disparador.
- Para apagar la herramienta, suelte el interruptor disparador (1). No se previó un dispositivo para mantener la herramienta en marcha constante, y nunca se debe trabar el interruptor por ningún medio.

ASERRADO

⚠ ADVERTENCIA: Para reducir el riesgo de lesiones personales, siempre sostenga la sierra firmemente con ambas manos en los mangos.

⚠ ADVERTENCIA: Nunca intente utilizar esta herramienta mientras la apoya en forma invertida sobre una superficie de trabajo y acerca el material a la herramienta. Siempre asegure firmemente la pieza de trabajo con abrazaderas y acerque la herramienta a la pieza de trabajo, mientras sostiene con firmeza la herramienta con ambas manos, como se muestra en la **Figura E**.

Coloque la parte más ancha de la placa base de la sierra sobre la parte de la pieza de trabajo que está firmemente apoyada, no sobre la sección que se caerá cuando se realice el corte. A modo de ejemplo, la **Figura E** ilustra la manera CORRECTA de cortar el extremo de una tabla. Siempre asegure la pieza de trabajo con abrazaderas. ¡No trate de sujetar piezas cortas con la mano! Recuerde que debe apoyar el material voladizo y saliente. Tenga cuidado cuando corte el material desde abajo.

Asegúrese de que la sierra funcione a su velocidad máxima antes de que la hoja haga contacto con el material que desea cortar. Arrancar la sierra con la hoja contra el material que desea cortar puede o empujarla hacia adelante en el corte puede ocasionar el retroceso de la hoja. Empuje la sierra hacia adelante a una velocidad que permita que la hoja corte sin esfuerzo. La dureza y la resistencia pueden variar incluso en la misma pieza de material, y las secciones nudosas o húmedas pueden sobrecargar la sierra. Cuando ocurre esto, empuje la sierra más lentamente, pero con fuerza suficiente para seguir trabajando sin que la velocidad disminuya mucho. Forzar la sierra puede causar cortes ásperos, inexactitud, el retroceso de la hoja y el sobrecalentamiento del motor. Si comienza el corte fuera de la línea, no trate de forzarlo al lugar de corte correspondiente. Suelte el interruptor y deje que la hoja se detenga por completo. Luego puede retirar la sierra, observar nuevamente y comenzar un nuevo corte ligeramente dentro del corte incorrecto. En cualquier caso, retire la sierra si debe desplazar el corte. Forzar una corrección dentro del corte puede atascar la sierra y provocar el retroceso de la hoja.

SI LA SIERRA SE ATASCA, LIBERE EL INTERRUPTOR Y RETIRE LA SIERRA HASTA QUE SE SUELTE. ANTES DE VOLVER A ARRANCAR LA SIERRA, ASEGÚRESE DE QUE LA HOJA ESTÉ RECTA EN EL CORTE Y ALEJADA DEL BORDE DEL MISMO.

Cuando termine de cortar, libere el interruptor y deje que la hoja se detenga antes de levantar la sierra de la pieza de trabajo. A medida que levanta la sierra, el protector telescópico tensado a resorte se cerrará automáticamente bajo la hoja. Recuerde que la hoja está expuesta hasta que esto ocurra. Nunca intente de alcanzar algo por debajo de la pieza de trabajo por ningún motivo. Cuando tenga que replegar el protector telescópico en forma manual (según se requiera para iniciar cortes internos), siempre utilice la palanca retráctil.

NOTA: Cuando corte tiras angostas, tenga cuidado para asegurar que las piezas pequeñas cortadas no cuelguen del interior del protector inferior.

CONSEJOS PARA UN USO ÓPTIMO

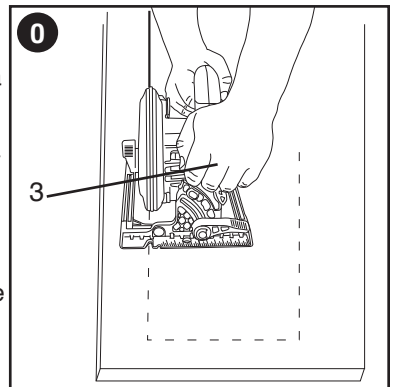
- Dado que es imposible que no se formen astillas a lo largo de la línea de corte en la parte superior de la pieza de trabajo, corte en el lado donde es aceptable que haya astillas.
- En los casos donde la formación de astillas debe minimizarse, como en el corte de laminados, sujete una pieza de madera contrachapada sobre la parte superior de la pieza de trabajo.

CORTES INTERNOS (FIGURA O)

⚠ ADVERTENCIA: Nunca ate el protector de la hoja en una posición elevada. Nunca mueva la sierra hacia atrás cuando realice cortes internos. Esto puede ocasionar que la unidad se eleve de la superficie de trabajo y se produzcan lesiones.

Los cortes internos son los que se realizan en pisos, paredes u otras superficies planas.

- Ajuste la placa base de la sierra para que la hoja corte a la profundidad deseada.
- Incline la sierra hacia adelante y apoye el frente de la placa base sobre el material que va cortar.
- Utilizando la palanca retráctil, retraiga el protector inferior de la hoja a una posición vertical. Baje la

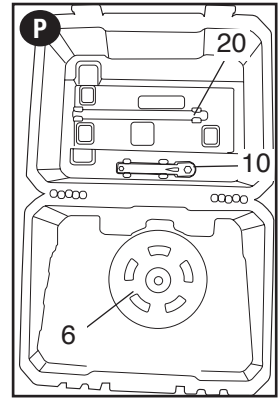


parte posterior de la placa base hasta que los dientes de la hoja apenas toquen la línea de corte.

- Suelte el protector de la hoja (el contacto de éste con la pieza de trabajo lo mantendrá en su lugar para que se abra libremente cuando comience a realizar el corte). Quite la mano de la palanca del protector y sujete firmemente el mango auxiliar (3), como se muestra en la **Figura O**. Ubique su cuerpo y el brazo de modo que pueda resistir el retroceso de la hoja, en caso de que ocurriese.
- Antes de encender la sierra, asegúrese de que la hoja no esté en contacto con la superficie de corte.
- Arranque el motor y baje gradualmente la sierra hasta que la placa base se apoye completamente sobre el material que desea cortar. Avance la sierra a lo largo de la línea de corte hasta completar el mismo.
- Suelte el gatillo y deje que la sierra se detenga por completo antes de retirar la hoja del material.
- Cada vez que comience un nuevo corte, repita lo anterior.

ALMACENAMIENTO PARA LA LLAVE Y LOS ACCESORIOS

La llave (10) se guarda en el estuche portátil de la BTE300 como se muestra en la **Figura P**. Las hojas adicionales (6) también se pueden guardar en el estuche que también cuenta con un área para una guía de corte opcional (20).



DETECCIÓN DE PROBLEMAS

Problema	Causa posible	Solución posible
• La unidad no enciende.	<ul style="list-style-type: none"> • Cable desenchufado. • Fusible quemado. • El interruptor automático está activado. • Interruptor o cable dañado. 	<ul style="list-style-type: none"> • Enchufe el cargador en un tomacorriente que funcione. • Reemplace el fusible quemado. (Si repetidamente el producto hace que el fusible del circuito se queme, deje de utilizarlo inmediatamente y haga que le realicen mantenimiento en un centro de mantenimiento Bostitch o en un centro de servicio autorizado.) • Reinicie el interruptor automático. (Si repetidamente el producto hace que el fusible del circuito se queme, deje de utilizarlo inmediatamente y haga que le realicen mantenimiento en un centro de mantenimiento Bostitch o en un centro de servicio autorizado.) • Haga reparar el cable o el interruptor en un centro de mantenimiento Bostitch o en un centro de mantenimiento autorizado.

Para conocer la ubicación del centro de mantenimiento más cercano a fin de recibir ayuda con su producto, visite nuestro sitio Web **www.bostitch.com** o llame a la línea de ayuda Bostitch al **(800) 262-2161**.

MANTENIMIENTO

Utilice únicamente jabón suave y un trapo húmedo para limpiar la herramienta. Nunca permita que se introduzcan líquidos en la herramienta; nunca sumerja ninguna parte de la herramienta en ningún líquido.

PIEZAS DE REPUESTO

Utilice sólo piezas de repuesto idénticas. Para obtener una lista de piezas o para solicitar piezas, visite nuestro sitio Web en www.bostitch.com. También puede solicitar piezas al Centro de mantenimiento de fábrica Bostitch o al Centro de mantenimiento con garantía autorizado de Bostitch más cercanos. O bien, puede llamar a nuestro Centro de atención al cliente al **(800) 262-2161**.

MANTENIMIENTO Y REPARACIONES

El mantenimiento de este producto no puede ser realizado por el usuario. Dentro del cargador no hay piezas a las que el usuario pueda hacerles mantenimiento. El mantenimiento de la herramienta debe realizarse en un centro de mantenimiento autorizado para evitar daños a los componentes internos, sensibles a la estática. Para obtener información acerca de Bostitch, sus centros de mantenimiento o centros de mantenimiento con garantía autorizados, visite nuestro sitio web en www.bostitch.com o comuníquese con nuestro Centro de atención al cliente al **(800) 262-2161**. Todas las reparaciones realizadas en nuestros centros de mantenimiento están completamente garantizadas en relación con los materiales defectuosos y la mano de obra. No podemos otorgar garantías en relación con las reparaciones ni los intentos de reparación de otras personas.

También puede escribirnos solicitando información a Bostitch, 701 E. Joppa Road, Towson, Maryland 21286 ; referencia: Mantenimiento de productos. Asegúrese de incluir toda la información mencionada en la placa de la herramienta (número de modelo, tipo, número de serie, etc.).

ACCESORIOS

⚠ ADVERTENCIA: Debido a que no se han probado con este producto otros accesorios que no sean los que ofrece Bostitch, el uso de dichos accesorios con esta herramienta podría ser peligroso. Para reducir el riesgo de lesiones, con este producto deben usarse sólo los accesorios Bostitch recomendados. Puede encontrar la línea completa de accesorios en los centros de mantenimiento de fábrica Bostitch o centros de mantenimiento con garantía autorizados de Bostitch. Visite nuestro sitio web www.bostitch.com para obtener un catálogo o para conocer el nombre de su proveedor más cercano.

GARANTÍA LIMITADA DE TRES AÑOS

Bostitch reparará o reemplazará, sin cargo, cualquier defecto ocasionado por materiales defectuosos o mano de obra durante tres años a partir de la fecha de compra, en el caso de las herramientas (dos años para las baterías). Esta garantía no cubre fallas en las piezas que resulten del desgaste normal de la herramienta o de su utilización inadecuada. Para obtener información detallada sobre la cobertura de la garantía y sobre reparaciones, visite www.bostitch.com o llame al

(800) 262-2161. Esta garantía no se extiende a los accesorios o a los daños causados por terceros al intentar realizar reparaciones. Esta garantía le concede derechos legales específicos; pueden existir otros derechos que varían según el estado o la provincia.

Además de la garantía, las herramientas Bostitch están cubiertas por nuestro:

SERVICIO GRATUITO DE 1 AÑO: Bostitch realizará el mantenimiento y reemplazará las piezas gastadas tras el uso normal, sin costo alguno, en cualquier momento durante el primer año después de la compra.

GARANTÍA DE DEVOLUCIÓN DE DINERO DE 90 DÍAS: Si por alguna razón no estuviera plenamente satisfecho con el rendimiento de su herramienta eléctrica Bostitch, puede devolver el producto dentro de los 90 días siguientes a la fecha de compra acompañado del recibo. De esta manera, se le reintegrará el importe total del producto sin formularle pregunta alguna.

AMÉRICA LATINA: Esta garantía no se aplica a los productos que se venden en América Latina. Para los productos que se venden en América Latina, debe consultar la información de la garantía específica del país que viene en el empaque, llamar a la

compañía local o visitar el sitio Web a fin de obtener esa información.

Para registrar la herramienta con el objeto de obtener el mantenimiento cubierto por la garantía, visite nuestro sitio Web, www.bostitch.com.

REEMPLAZO DE LAS ETIQUETAS DE ADVERTENCIA

Si sus etiquetas de advertencia se vuelven ilegibles o faltan, llame al **(800) 262-2161** para que se las reemplacen gratuitamente.

Importado por Bostitch
701 E. Joppa Road
Towson, Maryland 21286

