

BOSTITCH®

200 Series

Industrial Fine Wire Stapler

Grapadora industrial de alambre fino

Agrafeuse industrielle à agrafes fines



OPERATION and MAINTENANCE MANUAL MANUAL DE OPERACIÓN Y DE MANTENIMIENTO MANUEL D'INSTRUCTIONS ET D'ENTRETIEN

⚠ WARNING:

⚠ ADVERTENCIA:

⚠ ATTENTION:

BEFORE OPERATING THIS TOOL, ALL OPERATORS SHOULD STUDY THIS MANUAL TO UNDERSTAND AND FOLLOW THE SAFETY WARNINGS AND INSTRUCTIONS. KEEP THESE INSTRUCTIONS WITH THE TOOL FOR FUTURE REFERENCE. IF YOU HAVE ANY QUESTIONS, CONTACT YOUR BOSTITCH REPRESENTATIVE OR DISTRIBUTOR.

ANTES DE OPERAR ESTA HERRAMIENTA, TODOS LOS OPERADORES DEBERÁN ESTUDIAR ESTE MANUAL PARA PODER COMPRENDER Y SEGUIR LAS ADVERTENCIAS SOBRE SEGURIDAD Y LAS INSTRUCCIONES. MANTENGA ESTAS INSTRUCCIONES CON LA HERRAMIENTA PARA FUTURA REFERENCIA, SI TIENE ALGUNA DUDA, COMUNÍQUESE CON SU REPRESENTANTE DE BOSTITCH O CON SU DISTRIBUIDOR.

LIRE ATTENTIVEMENT LE PRÉSENT MANUEL AVANT D'UTILISER L'APPAREIL. PRÊTER UNE ATTENTION TOUTE PARTICULIÈRE AUX CONSIGNES DE SÉCURITÉ ET AUX AVERTISSEMENTS. GARDER CE MANUEL AVEC L'OUTIL POUR FUTUR RÉFÉRENCE. SI VOUS AVEZ DES QUESTIONS, CONTACTEZ VOTRE REPRÉSENTANT OU VOTRE CONCESSIONNAIRE BOSTITCH.

BOSTITCH®

STANLEY FASTENING SYSTEMS LP

INTRODUCTION

The Bostitch upholstery tackers are precision-built tools, designed for high speed, high volume fastening. These tools will deliver efficient, dependable service when used correctly and with care. As with any fine power tool, for best performance the manufacturer's instructions must be followed. Please study this manual before operating the tool and understand the safety warnings and cautions. The instructions on installation, operation and maintenance should be read carefully, and the manual kept for reference. NOTE: Additional safety measures may be required because of your particular application of the tool. Contact your Bostitch representative or distributor with any questions concerning the tool and its use. Bostitch, Inc., East Greenwich, Rhode Island 02818.

INDEX

Safety Instructions	3
Tool Specifications	4
Air Supply and Connections	5
Loading the Tool	6
Tool Operation	7
Power Adjustment Valve	8
Maintaining the Pneumatic Tool	10
Trouble Shooting	11

NOTE :

Bostitch tools have been engineered to provide excellent customer satisfaction and are designed to achieve maximum performance when used with precision Bostitch fasteners engineered to the same exacting standards. **Bostitch cannot assume responsibility for product performance if our tools are used with fasteners or accessories not meeting the specific requirements established for genuine Bostitch nails, staples and accessories.**



LIMITED WARRANTY — U.S. and Canada Only

Effective December 1, 2005 Bostitch, L.P. warrants to the original retail purchaser that the product purchased is free from defects in material and workmanship, and agrees to repair or replace, at Bostitch's option, any defective Bostitch branded pneumatic stapler or nailer for a period of seven (7) years from date of purchase (one (1) year from the date of purchase for compressors and tools used in production applications). Warranty is not transferable. Proof of purchase date required. This warranty covers only damage resulting from defects in material or workmanship; it does not cover conditions or malfunctions resulting from normal wear, neglect, abuse, accident or repairs attempted or made by other than our national repair center or authorized warranty service centers. Driver blades, bumpers, o-rings, pistons and piston rings are considered normally wearing parts. For optimal performance of your Bostitch tool always use genuine Bostitch fasteners and replacement parts.

THIS WARRANTY IS IN LIEU OF ALL OTHER WARRANTIES, EXPRESS OR IMPLIED, INCLUDING BUT NOT LIMITED TO THE IMPLIED WARRANTIES OF MERCHANTABILITY OR FITNESS FOR A PARTICULAR PURPOSE. BOSTITCH SHALL NOT BE LIABLE FOR ANY INCIDENTAL OR CONSEQUENTIAL DAMAGES.

Some states and countries do not allow limitations on how long an implied warranty lasts, or the exclusion or limitation of incidental or consequential damages, so the above limitations or exclusions may not apply to you. This warranty gives you specific legal rights, and you may also have other rights which vary from state to state and country to country.

To obtain warranty service in the U.S. return the product, together with proof of purchase, to the U.S. Bostitch National or Regional Independent Authorized Warranty Service Center. In the U.S. you may call us at 1-800-556-6696 or visit www.BOSTITCH.com for the location most convenient for you. In Canada please call us at 1-800-567-7705 or visit www.BOSTITCH.com

SAFETY INSTRUCTIONS

⚠WARNING:

EYE PROTECTION which conforms to ANSI specifications and provides protection against flying particles both from the **FRONT** and **SIDE** should **ALWAYS** be worn by the operator and others in the work area when connecting to air supply, loading, operating or servicing this tool. Eye protection is required to guard against flying fasteners and debris, which could cause severe eye injury.



The employer and/or user must ensure that proper eye protection is worn. Eye protection equipment must conform to the requirements of the American National Standards Institute, ANSI Z87.1 and provide both frontal and side protection. **NOTE:** Non-side shielded spectacles and face shields alone do not provide adequate protection.



CAUTION: Additional Safety Protection will be required in some environments. For example, the working area may include exposure to noise level which can lead to hearing damage. The employer and user must ensure that any necessary hearing protection is provided and used by the operator and others in the work area. Some environments will require the use of head protection equipment. When required, the employer and user must ensure that head protection conforming to ANSI Z89.1 is used.

AIR SUPPLY AND CONNECTIONS

⚠WARNING:

Do not use oxygen, combustible gases, or bottled gases as a power source for this tool as tool may explode, possibly causing injury.

⚠WARNING:

Do not use supply sources which can potentially exceed 200 P.S.I.G. as tool may burst, possibly causing injury.

⚠WARNING:

The connector on the tool must not hold pressure when air supply is disconnected. If a wrong fitting is used, the tool can remain charged with air after disconnecting and thus will be able to drive a fastener even after the air line is disconnected possibly causing injury.

⚠WARNING:

Do not pull trigger or depress contact arm while connected to the air supply as the tool may cycle, possibly causing injury.

⚠WARNING:

Always disconnect air supply: 1.) Before making adjustments; 2.) When servicing the tool; 3.) When clearing a jam; 4.) When tool is not in use; 5.) When moving to a different work area, as accidental actuation may occur, possibly causing injury.

LOADING TOOL

⚠WARNING:

When loading tool: 1.) Never place a hand or any part of body in fastener discharge area of tool; 2.) Never point tool at anyone; 3.) Do not pull the trigger or depress the trip as accidental actuation may occur, possibly causing injury.

OPERATION

⚠WARNING:

Always handle the tool with care: 1.) Never engage in horseplay; 2.) Never pull the trigger unless nose is directed toward the work; 3.) Keep others a safe distance from the tool while tool is in operation as accidental actuation may occur, possibly causing injury.

⚠WARNING:

The operator must not hold the trigger pulled on contact arm tools except during fastening operation as serious injury could result if the trip accidentally contacted someone or something, causing the tool to cycle.

⚠WARNING:

Keep hands and body away from the discharge area of the tool. A contact arm tool may bounce from the recoil of driving a fastener and an unwanted second fastener may be driven possibly causing injury.

⚠WARNING:

Check operation of the contact arm mechanism frequently. Do not use the tool if the arm is not working correctly as accidental driving of a fastener may result. Do not interfere with the proper operation of the contact arm mechanism.

⚠WARNING:

Do not drive fasteners on top of other fasteners or with the tool at an overly steep angle as this may cause deflection of fasteners which could cause injury.

⚠WARNING:

Do not drive fasteners close to the edge of the work piece as the wood may split, allowing the fastener to be deflected possibly causing injury.

⚠WARNING:

This nailer produces **SPARKS** during operation. **NEVER** use the nailer near flammable substances, gases or vapors including lacquer, paint, benzene, thinner, gasoline, adhesives, mastics, glues or any other material that is – or the vapors, fumes or byproducts of which are – flammable, combustible or explosive. Using the nailer in any such environment could cause an **EXPLOSION** resulting in personal injury or death to user and bystanders.

MAINTAINING THE TOOL

⚠WARNING:

When working on air tools note the warnings in this manual and use extra care when evaluating problem tools.

TOOL SPECIFICATIONS

All screws and nuts are metric

MODEL	LENGTH	HEIGHT	WIDTH	WEIGHT
21671B	8.71" (221.25 mm)	5.92" (150.26 mm)	1.58" (40.2 mm)	1.88 lb (.853 kg)
21671B-LN	8.71" (221.25 mm)	7.81" (198.30 mm)	1.58" (40.2 mm)	2.01 lb (.912 kg)
21671B-A	8.71" (221.25 mm)	5.92" (150.26 mm)	1.58" (40.2 mm)	1.91 lb (.867 kg)
2161B-ALM	13.925" (353.69 mm)	5.92" (150.26 mm)	1.58" (40.2 mm)	2.37 lb (1.075 kg)
21680B	8.71" (221.25 mm)	5.92" (150.26 mm)	1.58" (40.2 mm)	1.82 lb (.807 kg)
21680-LN	8.71" (221.25 mm)	7.81" (198.30 mm)	1.58" (40.2 mm)	1.97 lb (.894 kg)
21680B-ALM	13.925" (353.69 mm)	5.92" (150.26 mm)	1.58" (40.2 mm)	2.26 lb (1.025 kg)
21684B	8.71" (221.25 mm)	5.92" (150.26 mm)	1.58" (40.2 mm)	1.82 lb (.826 kg)
21697B	8.71" (221.25 mm)	5.92" (150.26 mm)	1.58" (40.2 mm)	1.79 lb (.813 kg)
216SJKB	8.71" (221.25 mm)	5.92" (150.26 mm)	1.58" (40.2 mm)	1.79 lb (.813 kg)

FASTENER SPECIFICATIONS

TOOL MODEL	STAPLE SERIES	CROWN WIDTH	WIRE SIZE	FASTENER RANGE
21671B	BA71	3/8" (9.0 mm)	.023X.030(.58mmX.75mm)	5/32"-5/8"(4mm-16mm)
21671B-LN	BA71	3/8" (9.0 mm)	.023X.030(.58mmX.75mm)	5/32"-5/8"(4mm-16mm)
216-71B-A	BA71	3/8" (9.0 mm)	.023X.030(.58mmX.75mm)	5/32"-5/8"(4mm-16mm)
21671B-ALM	BA71	3/8" (9.0 mm)	.023X.030(.58mmX.75mm)	5/32"-5/8"(4mm-16mm)
21680B	BA80	1/2" (13mm)	.027X.036(.69mmX.91mm)	5/32"-5/8"(4mm-16mm)
21680B-LN	BA80	1/2" (13mm)	.027X.036(.69mmX.91mm)	5/32"-5/8"(4mm-16mm)
21680B-ALM	BA80	1/2" (13mm)	.027X.036(.69mmX.91mm)	5/32"-5/8"(4mm-16mm)
21684B	SBNK, ATRO 84	31/64"(12.3mm)	.023X.040(.55mmX1mm)	5/32"-5/8"(4mm-16mm)
21697B	BA97	3/16"(4.8mm)	.027X.036(.69mmX.91mm)	5/32"-5/8"(4mm-16mm)
216SJKB	ATRO SJK	5/32"(4.1mm)	.024X.029(.60mmX.70mm)	5/32"-5/8"(4mm-16mm)

TOOL AIR FITTING

This tool uses a free-flow connector plug, 1/4" N.P.T. The inside diameter should be .200" (5mm) or larger. The fitting must be capable of discharging tool air pressure when disconnected from the air supply.

OPERATING PRESSURE

70 to 100 p.s.i.g. (4.8 to 6.9 bar). Select the operating pressure within this range for best fastener performance.

DO NOT EXCEED THE RECOMMENDED OPERATING PRESSURE.

AIR CONSUMPTION

The 216 requires 1.71 cubic feet per minute (.048 cubic meters) and the 216-LN models require 1.84 cubic feet per minute (.052 cubic meters) of free air to operate at the rate of 100 nails per minute, at 80 p.s.i. (5.5 bar). Take the actual rate at which the tool will be run to determine the amount of air required. For instance, if your fastener usage averages 50 nails per minute, you need 50% of the tool's c.f.m. which is required to operate the tool at 100 nails per minute.

AIR SUPPLY AND CONNECTIONS

⚠WARNING: Do not use oxygen, combustible gases, or bottled gases as a power source for this tool as tool may explode, possibly causing injury.

Fittings:

Install a male plug on the tool which is free flowing and which will release air pressure from the tool when disconnected from the supply source.

Hoses:

Air hoses should have a minimum of 150 p.s.i. (10.34 bar) working pressure rating or 150 percent of the maximum pressure that could be produced in the air system. The supply hose should contain a fitting that will provide "quick disconnecting" from the male plug on the tool.

Supply Source:

Use only clean regulated compressed air as a power source for this tool. **NEVER USE OXYGEN, COMBUSTIBLE GASES, OR BOTTLED GASES, AS A POWER SOURCE FOR THIS TOOL AS TOOL MAY EXPLODE.**

Regulator:

A pressure regulator with an operating pressure of 0 - 125 p.s.i. (0 - 8.6 bar) is required to control the operating pressure for safe operation of this tool. Do not connect this tool to air pressure which can potentially exceed 200 p.s.i. (13.8 bar) as tool may fracture or burst, possibly causing injury.

Operating Pressure:

Do not exceed recommended maximum operating pressure as tool wear will be greatly increased. The air supply must be capable of maintaining the operating pressure at the tool. Pressure drops in the air supply can reduce the tool's driving power. Refer to "TOOL SPECIFICATIONS" for setting the correct operating pressure for the tool.

Filter:

Dirt and water in the air supply are major causes of wear in pneumatic tools. A filter will help to get the best performance and minimum wear from the tool. The filter must have adequate flow capacity for the specific installation. The filter has to be kept clean to be effective in providing clean compressed air to the tool. Consult the manufacturer's instructions on proper maintenance of your filter. A dirty and clogged filter will cause a pressure drop which will reduce the tool's performance.

LOADING THE 216

⚠️WARNING:



EYE PROTECTION which conforms to ANSI specifications and provides protection against flying particles both from the **FRONT** and **SIDE** should **ALWAYS** be worn by the operator and others in the work area when loading, operating or servicing this tool. Eye protection is required to guard against flying fasteners and debris, which could cause severe eye injury.

The employer and/or user must ensure that proper eye protection is worn. Eye protection equipment must conform to the requirements of the American National Standards Institute, ANSI Z87.1 and provide both frontal and side protection. **NOTE:** Non-side shielded spectacles and face shields alone do not provide adequate protection.

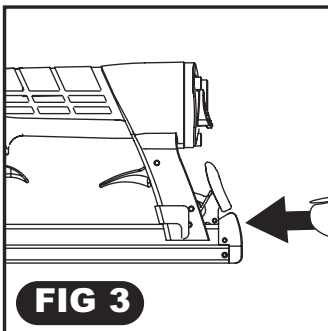
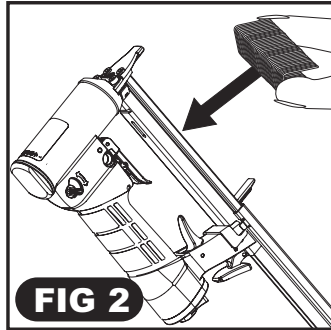
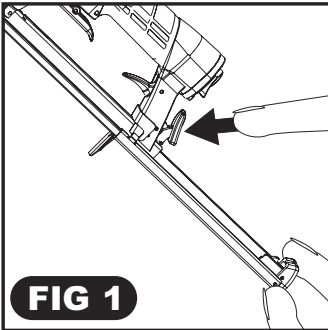
⚠️WARNING:

TO PREVENT ACCIDENTAL INJURIES:

- Never place a hand or any other part of the body in nail discharge area of tool while the air supply is connected.
- Never point the tool at anyone else.
- Never engage in horseplay.
- Never pull the trigger unless nose is directed at the work.
- Always handle the tool with care.
- Do not pull the trigger while loading the tool.

Loading

1. Turn tool sideways with discharge area pointed away from yourself and others.
Depress the quick release latch inside the tool frame or the latch on the rear of the main frame. Slide rail to rear.
2. Drop staple stick into magazine.
3. Push rail forward until the latch closes. The tool is now ready for use.



TOOL OPERATION

BEFORE HANDLING OR OPERATING THIS TOOL:

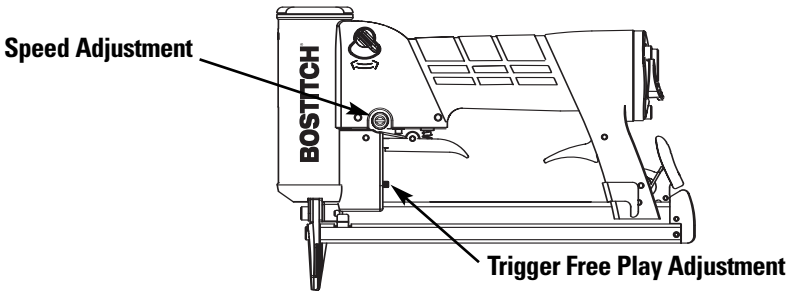
- I. READ AND UNDERSTAND THE WARNINGS CONTAINED IN THIS MANUAL.
- II. REFER TO "TOOL SPECIFICATIONS" IN THIS MANUAL TO IDENTIFY THE OPERATING SYSTEM ON YOUR TOOL.

BOSTITCH offers two types of Operation for the 216 series tools.

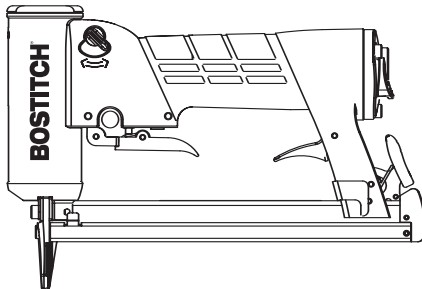
MODEL IDENTIFICATION

Refer to Tool Operation Check on page 9 before proceeding to use this tool.

**Automatic:
Identified by
Speed Adjustment
Trigger Free Play Adjustment**



**Trigger Operated:
Identified by
No Speed Adjustment
No Trigger Free Play Adjustment**



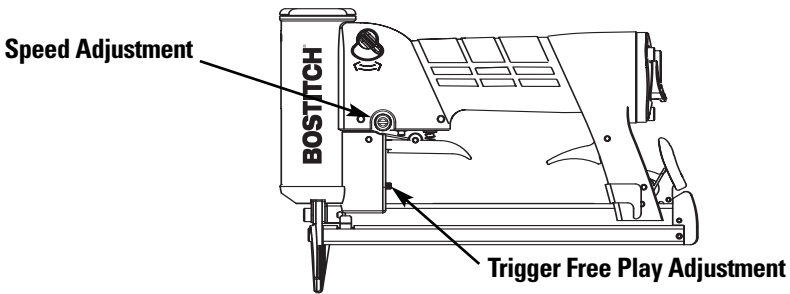
MODEL IDENTIFICATION (Continued)

Trigger Operated:

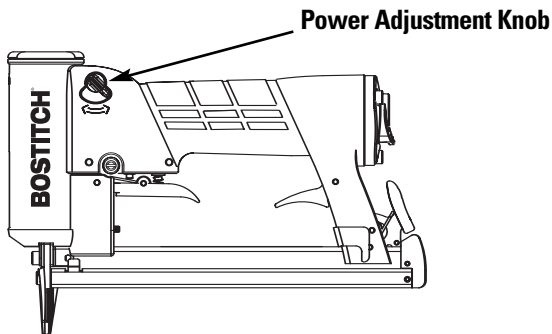
The Trigger Operated model is cycled by actuation of the trigger. The Trigger Operated tool will cycle each time the trigger is actuated.

Automatic:

The automatic model is cycled by actuation of the trigger. When the trigger is pulled lightly with a short motion the tool will drive one fastener. When the trigger is pulled as far as possible the tool will continuously drive fasteners automatically until the trigger is released. The rate at which fasteners are driven in the automatic mode is adjustable. The speed adjustment screw is located on the left side of the tool in the trigger valve area. Turning the screw in a counter clockwise direction increases speed and in a clockwise direction decreases speed. This model also includes a trigger free play adjustment to adjust the amount of trigger stroke between single and automatic operation. Turning the adjustment knob to the left increases the trigger travel from single actuation to automatic.



POWER ADJUSTMENT VALVE



For Maximum Power: Rotate valve counterclockwise as far as possible.

To Reduce Power: Rotate valve clockwise for up to 30% reduction.

TOOL OPERATION CHECK:

CAUTION: Remove all fasteners from tool before performing tool operation check.

1. Trigger Operated Tool:

- A. With finger off the trigger, hold the tool with a firm grip on the handle.
- B. Place the nose of the tool against the work surface.
- C. Pull the trigger to cycle the tool. Release the trigger and cycle is complete.

CAUTION: THE TOOL WILL CYCLE EACH TIME THE TRIGGER IS PULLED!

2. Automatic Tool:

- A. With finger off the trigger, hold the tool with a firm grip on the handle.
- B. Place the nose of the tool against the work surface.
- C. Single cycle mode:
Lightly pull the trigger for a single cycle. Release the trigger and cycle is complete.
- D. Automatic mode:
Pull trigger as far as possible to depress both valve stems. Release the trigger to stop.

CAUTION: THE TOOL WILL CYCLE EACH TIME THE TRIGGER IS PULLED!

CAUTION: THE TOOL WILL CYCLE AT UP TO 30 TIMES A SECOND IN AUTOMATIC MODE.

IN ADDITION TO THE OTHER WARNINGS CONTAINED IN THIS MANUAL OBSERVE THE FOLLOWING FOR SAFE OPERATION

- Use the BOSTITCH pneumatic tool only for the purpose for which it was designed.
- Never use this tool in a manner that could cause a fastener to be directed toward the user or others in the work area.
- Do not use the tool as a hammer.
- Always carry the tool by the handle. Never carry the tool by the air hose.
- Do not alter or modify this tool from the original design or function without approval from BOSTITCH, INC.
- Always be aware that misuse and improper handling of this tool can cause injury to yourself and others.
- Never clamp or tape the trigger or contact trip in an actuated position.
- Never leave a tool unattended with the air hose attached.
- Do not operate this tool if it does not contain a legible WARNING LABEL.
- Do not continue to use a tool that leaks air or does not function properly. Notify your nearest Bostitch representative if your tool continues to experience functional problems.

MAINTAINING THE PNEUMATIC TOOL



When working on air tools, note the warnings in this manual and use extra care evaluating problem tools.

Replacement Parts:

BOSTITCH replacement parts are recommended. Do not use modified parts or parts which will not give equivalent performance to the original equipment.

Assembly procedure for seals:

When repairing a tool, make sure the internal parts are clean and lubricated. Use MAGNALUBE or equivalent on all "O"-rings. Coat each "O"-ring with MAGNALUBE before assembling. Use a small amount of oil on all moving surfaces and pivots.

Air Supply - Pressure and Volume:

Air volume is as important as air pressure. The air volume supplied to the tool may be inadequate because of undersize fittings and hoses, or from the effects of dirt and water in the system. Restricted air flow will prevent the tool from receiving an adequate volume of air, even though the pressure reading is high. The results will be slow operation, misfeeds or reduced driving power. Before evaluating tool problems for these symptoms, trace the air supply from the tool to the supply source for restrictive connectors, swivel fittings, low points containing water and anything else that would prevent full volume flow of air to the tool.

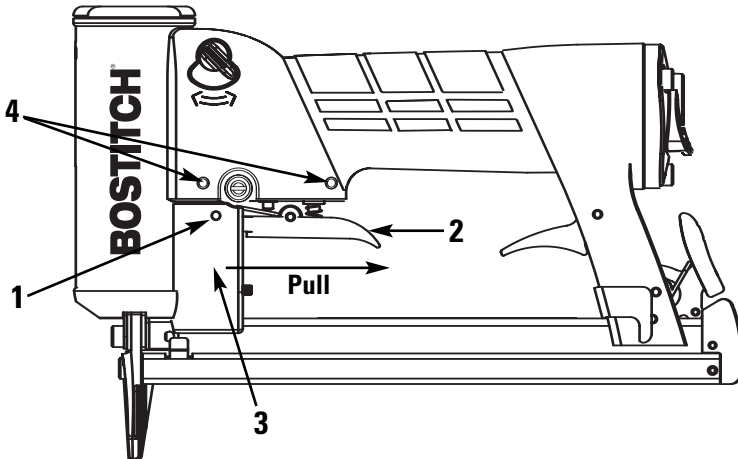
Trigger Valve Removal:

Automatic

1. Remove trigger pivot pin.
2. Remove trigger.
3. To remove trigger free play adjustment housing pull in direction of arrow until it is clear of valve.
4. Remove two trigger valve pins and remove trigger valve.

Standard Valve

Remove two trigger valve pins (item 4) and remove trigger valve.



TROUBLE SHOOTING

PROBLEM	CAUSE	CORRECTION	
Trigger valve housing leaks air	O-ring cut or cracked	Replace O-ring	
Trigger valve stem leaks air	O-ring/seals cut or cracked	Replace trigger valve assembly	
Frame/nose leaks air	O-ring or Gasket is cut or cracked	Replace O-ring or gasket	
	Bumper cracked/worn	Replace bumper	
Frame/cap leaks air	Damaged gasket or seal	Replace gasket or seal	
	Loose cap	Tighten and recheck	
Failure to cycle	Air supply restriction	Check air supply equipment	
	Tool dry, lack of lubrication	Use BOSTITCH Air Tool Lubricant	
	Worn head valve O-rings	Replace O-rings	
	Broken head valve spring	Replace head valve spring	
Lack of power; slow to cycle	Tool dry, lacks lubrication	Use BOSTITCH Air Tool Lubricant	
	Broken head valve spring	Replace head valve spring	
	O-rings/seals cut or cracked	Replace O-rings/seals	
	Exhaust blocked	Check frame, muffler, end cap, bumper, driver plate	
	Trigger assembly worn/leaks	Replace trigger assembly	
	Dirt/tar build up on driver	Disassemble nose/driver to clean	
	Head valve dry	Disassemble/lubricate	
	Air pressure too low	Check air supply equipment	
	Skipping fasteners; intermittent feed	Worn bumper	Replace bumper
		Tar/dirt in driver channel	Disassemble and clean nose and driver
Air restriction/inadequate air flow through quick disconnect socket and plug		Replace quick disconnect fittings	
Worn piston O-ring		Replace O-ring, check driver	
Tool dry, lacks lubrication		Use BOSTITCH Air Tool Lubricant	
Damaged pusher spring		Replace spring	
Low air pressure		Check air supply system to tool	
Loose magazine nose screws		Tighten all screws	
Fasteners too short for tool		Use only recommended fasteners	
Bent fasteners		Discontinue using these fasteners	
Wrong size fasteners		Use only recommended fasteners	
Leaking head cap gasket		Tighten screws/replace gasket	
Trigger valve O-ring cut/worn		Replace O-ring	
Broken/chipped driver		Replace driver (check piston O-ring)	
Worn magazine		Replace magazine	
Fasteners jam in tool		Driver channel worn	Replace nose/ check driver guide cover
	Wrong size fasteners	Use only recommended fasteners	
	Bent fasteners	Discontinue using these fasteners	
	Loose magazine/nose screws	Tighten all screws	
	Broken/chipped driver	Replace driver	

INTRODUCCIÓN

Las instaladoras de tachuelas para tapizar de Bostitch son herramientas construidas a precisión, diseñadas para funcionar a alta velocidad y con alto volumen. Estas herramientas entregan un servicio eficiente y fiable cuando se usan correctamente y con cuidado. Al igual que con toda herramienta automática de calidad, deben seguirse las instrucciones del fabricante para obtener el óptimo rendimiento. Estudie este manual antes de operar la herramienta y entender las advertencias y precauciones de seguridad. Deben leerse en detalle las instrucciones sobre la instalación, operación y mantenimiento, y debe conservarse el manual para referencia. NOTA: Se pueden requerir medidas adicionales de seguridad en relación con la operación particular que usted destina a la herramienta. Póngase en contacto con su representante o distribuidor de Bostitch en relación con cualquier pregunta o duda relativa a esta herramienta y su uso. Bostitch, Inc., East Greenwich, Rhode Island 02818.

ÍNDICE

Instrucciones de seguridad	13
Especificaciones de la herramienta	14
Suministro de aire y conexiones	15
Carga de la herramienta	16
Funcionamiento de la herramienta	17
Válvula de ajuste de potencia	18
Mantenimiento de la herramienta neumática	20
Solución de problemas	21

NOTA:

Las herramientas de Bostitch han sido fabricadas para proporcionar una excelente satisfacción al cliente y están diseñadas para lograr el máximo rendimiento al ser utilizadas con sujetadores de precisión de Bostitch que han sido fabricados a las mismas normas exactas. **Bostitch no puede asumir responsabilidad por el rendimiento de un producto si se utilizan nuestras herramientas con sujetadores o accesorios que no cumplen con los requisitos específicos establecidos para clavos, grapas y accesorios auténticos de Bostitch.**



GARANTÍA LIMITADA — Sólo EE.UU. y Canadá

A partir del 1 de diciembre de 2005 Bostitch, L.P. garantiza al comprador del comerciante original que el producto comprado está exento de defectos en material y fabricación, y se compromete a reparar o reemplazar, a opción de Bostitch, cualquier engrapadora o clavadora neumática defectuosa de marca Bostitch por un período de siete (7) años desde la fecha de compra (un (1) año de la fecha de compra en el caso de compresores y herramientas utilizadas en aplicaciones de producción). La garantía no es transferible. Se requiere presentar evidencia de la fecha de compra. Esta garantía solamente cubre daños resultantes de defectos en material o fabricación, y no cubre condiciones o desperfectos resultantes del desgaste normal, negligencia, abuso, accidente o reparaciones intentadas o efectuadas por terceros ajenos a nuestro centro nacional de reparaciones o a los centros de servicio bajo garantía. Las aspas del impulsor, topes, juntas tóricas, pistones y aros de pistones se consideran componentes de desgaste normal. Para obtener el rendimiento óptimo de la herramienta Bostitch siempre use fijaciones y piezas de repuesto genuinas de Bostitch.

ESTA GARANTÍA SUSTITUYE TODA OTRA GARANTÍA, EXPRESA O IMPLÍCITA, INCLUIDAS ENTRE OTRAS, LAS GARANTÍAS IMPLÍCITAS DE COMERCIABILIDAD O IDONEIDAD PARA UN FIN PARTICULAR. BOSTITCH NO SERÁ RESPONSABLE DE DAÑOS FORTUITOS O CONSECUENCIALES.

Algunos estados y países no permiten limitaciones a la duración de una garantía implícita ni la exclusión o limitación de daños fortuitos o consecuenciales, de modo que las limitaciones o exclusiones anteriores pueden no corresponder a su caso. Esta garantía le concede derechos legales específicos, y usted puede tener también otros derechos que varían de un estado a otro y de un país a otro.

Para obtener servicio bajo garantía en los EE.UU. devuelva el producto, junto con el comprobante de compra, al Centro de Servicio bajo Garantía Autorizado Independiente Nacional o Regional de Bostitch en los EE.UU. Dentro de los EE.UU. usted puede llamarnos al 1-800-556-6696 o visitar www.BOSTITCH.com para ver la ubicación que más le convenga. En Canadá llámenos al 1-800-567-7705 o visite www.BOSTITCH.com.

INSTRUCCIONES DE SEGURIDAD

⚠ ADVERTENCIA:



Quando el equipo está conectado al suministro de aire, tanto el operador como todas las personas que se encuentren en el área de trabajo, SIEMPRE deben usar **PROTECCIÓN OCULAR** que cumpla las especificaciones ANSI para resguardo contra partículas volantes arrojadas desde el **FRENTE** o los **LATERALES**. Dicha protección ocular se requiere para proteger contra residuos y remaches volantes, que podrían causar graves lesiones en los ojos.

El empleador y/o usuario debe asegurar que la debida protección para los ojos sea usada. El equipo protector de los ojos debe cumplir con los requisitos del Instituto de Normas Nacionales Americano (American National Standards Institute), ANSI Z87.1 y debe proveer protección de frente y de los lados. **NOTA:** Las gafas de seguridad que no están protegidas de los lados y las máscaras por sí solas no proveen la debida protección.



PRECAUCIÓN: En algunos entornos será necesaria protección de seguridad adicional. Por ejemplo, es posible que el área de trabajo incluya la exposición a niveles de ruido que pueden dañar el oído. El empleador y el usuario deben asegurarse de que cualquier protección necesaria para los oídos sea provista y utilizada por el operador y demás personas en el área de trabajo. Algunos entornos requieren el uso de aparatos de protección para la cabeza. Cuando sea necesario, el empleador y el usuario deben asegurarse de que se utilice protección para la cabeza en conformidad con la norma ANSI Z89.1.

SUMINISTRO DE AIRE Y CONEXIONES

⚠ ADVERTENCIA:

No utilice oxígeno ni gases combustibles o embotellados como fuente de suministro para esta herramienta, ya que la herramienta puede estallar, posiblemente causando lesiones.

⚠ ADVERTENCIA:

No utilice fuentes de suministro que potencialmente excedan las 14 Kg/cm² (13,8 bars) ya que la herramienta puede estallar, posiblemente causando lesiones.

⚠ ADVERTENCIA:

El conector de la herramienta no debe tener presión al desconectarse el suministro de aire. Si se utiliza una conexión equivocada, la herramienta puede permanecer cargada con aire después de ser desconectada y por lo tanto podrá impulsar un sujetador aún después de que la línea de aire sea desconectada, posiblemente causando lesiones.

⚠ ADVERTENCIA:

No hale el gatillo ni oprima el brazo de contacto mientras la herramienta esté conectada al suministro de aire ya que la herramienta puede ciclarse, posiblemente causando lesiones.

⚠ ADVERTENCIA:

Siempre desconecte el suministro de aire: 1.) Antes de efectuar ajustes; 2.) Al hacerle servicio a la herramienta; 3.) Al despejar un atascamiento; 4.) Cuando la herramienta no esté en uso; 5.) Al mudarse de un área distinta de trabajo, ya que se puede activar accidentalmente, posiblemente causando lesiones.

AL CARGAR LA HERRAMIENTA

⚠ ADVERTENCIA:

Al cargar la herramienta: 1.) Nunca coloque una mano o cualquier otra parte del cuerpo en el área de descarga del sujetador de la herramienta; 2.) Nunca apunte la herramienta hacia otra persona; 3.) No hale el gatillo ni oprima el disparador ya que se puede activar accidentalmente, posiblemente causando lesiones.

OPERACIÓN

⚠ ADVERTENCIA:

Siempre maneje la herramienta con cuidado. 1.) Nunca participe en juegos rudos con la herramienta; 2.) Nunca hale el gatillo al menos que la nariz esté apuntada hacia el trabajo; 3.) Mantenga a las demás personas a una distancia segura de la herramienta mientras la herramienta esté en operación ya que se puede activar accidentalmente, causando posibles lesiones.

⚠ ADVERTENCIA:

No mantenga el gatillo halado en las herramientas del brazo de contacto, salvo durante la operación de engrapado, ya que pueden resultar serias lesiones si el disparador accidentalmente se pusiera en contacto con alguien o con algo, causando que se cicle la herramienta.

⚠ ADVERTENCIA:

Mantenga las manos y el cuerpo alejados del área de descarga de la herramienta. Una herramienta con brazo de contacto puede rebotar debido a la reculada al impulsar un sujetador y se puede impulsar accidentalmente un segundo sujetador, causando posibles lesiones.

⚠ ADVERTENCIA:

Verifique la operación del mecanismo del brazo de contacto frecuentemente. No utilice la herramienta si el brazo no está funcionando correctamente ya que se puede impulsar accidentalmente otro sujetador. No interfiera con la debida operación del mecanismo del brazo de contacto.

⚠ ADVERTENCIA:

No meta los sujetadores encima de otros sujetadores o teniendo la herramienta demasiado inclinada ya que esto podría causar que los sujetadores se desvíaran, y a su vez causarían lesiones.

⚠ ADVERTENCIA:

No meta los sujetadores cerca del borde de la pieza de trabajo porque la madera podría separarse, lo que permitiría que el sujetador se desvíara y causara lesiones.

⚠ ADVERTENCIA:

Esta clavadora produce CHISPAS durante la operación. NUNCA use la clavadora cerca de sustancias, gases ni vapores inflamables, incluidos diluyentes, lacas, pintura, bencina, gasolina, adhesivos, mástique, pegamentos ni ningún otro material que sea inflamable, combustible o explosivo – o vapores, emanaciones o subproductos que puedan serlo. Si se usa la clavadora en cualquier ambiente de este tipo podría causar una EXPLOSION produciendo lesiones físicas o fatales para el usuario y las personas en la cercanía.

MANTENIMIENTO DE LA HERRAMIENTA

⚠ ADVERTENCIA:

Tome nota de las advertencias en este manual al trabajar con herramientas neumáticas y tenga mayor cuidado al evaluar herramientas problemáticas.

ESPECIFICACIONES DE LA HERRAMIENTA

Todos los tornillos y tuercas son métricos

MODELO	LONGITUD	ALTURA	ANCHURA	PESO
21671N	221,25 mm	150,26 mm	40,2 mm	0,853 kg
21671B-LN	221,25 mm	198,30 mm	40,2 mm	0,912 kg
21671B-A	221,25 mm	150,26 mm	40,2 mm	0,867 kg
21671B-ALM	353,69 mm	150,26 mm	40,2 mm	1,075 kg
21680B	221,25 mm	150,26 mm	40,2 mm	0,807 kg
21680B-LN	221,25 mm	198,30 mm	40,2 mm	0,894 kg
21680B-ALM	353,69 mm	150,26 mm	40,2 mm	1,025 kg
21684B	221,25 mm	150,26 mm	40,2 mm	0,826 kg
21697B	221,25 mm	150,26 mm	40,2 mm	0,813 kg
216SJKB	221,25 mm	150,26 mm	40,2 mm	0,813 kg

ESPECIFICACIONES DE GRAPAS/PUNTAS

MODELO DE HERRAMIENTA	SERIE DE GRAPA	ANCHO DE CORONA	TAMAÑO DE ALAMBRE	GAMA DE GRAPA/PUNTA
21671B	BA71	9,0 mm	0,58 mm X 0,75 mm	4 mm-16 mm
21671B-LN	BA71	9,0 mm	0,58 mm X 0,75 mm	4 mm-16 mm
21671B-A	BA71	9,0 mm	0,58 mm X 0,75 mm	4 mm-16 mm
216-71B-ALM	BA71	9,0 mm	0,58 mm X 0,75 mm	4 mm-16 mm
21680B	BA80	13 mm	0,69 mm X 0,91 mm	4 mm-16 mm
21680B-LN	BA80	13 mm	0,69 mm X 0,91 mm	4 mm-16 mm
21680B-ALM	BA80	13 mm	0,69 mm X 0,91 mm	4 mm-16 mm
21684B	SBNK, ATRO 84	12,3 mm	0,55 mm X 1 mm	4 mm-16 mm
21697B	BA97	4,8 mm	0,69 mm X 0,91 mm	4 mm-16 mm
216SJKB	ATRO SJK	4,1 mm	0,60 mm X 0,70 mm	4 mm-16 mm

CONECTOR DE AIRE DE LA HERRAMIENTA

Esta herramienta usa un enchufe conector de flujo libre, 1/4" N.P.T. El diámetro interior debe ser de 5 mm o mayor. El conector debe ser capaz de descargar la presión de aire de la herramienta al desconectarse del suministro de aire.

PRESIÓN OPERATIVA

4,8 a 6,9 barios. Seleccione la presión operativa dentro de esta gama para lograr el óptimo rendimiento.

NO SUPERE LA PRESIÓN OPERATIVA RECOMENDADA.

CONSUMO DE AIRE

El modelo 216 requiere 0.048 metros cúbicos por minuto y el 216-LN requiere 0,052 metros cúbicos por minuto de aire libre para funcionar a razón de 100 clavos por minuto, a 5,5 barios. Tome la velocidad real con la cual operará la herramienta para determinar la cantidad de aire necesaria. Por ejemplo, si el uso de grapas o clavos promedia 50 por minuto, necesita el 50% de los pies cúbicos por minuto de la herramienta para funcionar a razón de 100 clavos por minuto.

SUMINISTRO DE AIRE Y CONEXIONES

⚠ ADVERTENCIA: No use oxígeno, gases combustibles ni gas envasado en cilindros como fuente de energía para esta herramienta porque puede explotar, causando posibles lesiones.

Conectores:

Instale un enchufe macho en la herramienta con flujo libre y que liberará presión de aire de la herramienta al desconectarse de la fuente de suministro.

Mangueras:

Las mangueras de aire deben tener una presión nominal de trabajo mínima de 10,34 barios o un 150 por ciento de la presión máxima que podría producirse en el sistema de aire. La manguera de suministro debe contar con un conector de “desconexión rápida” del enchufe macho en la herramienta.

Fuente de suministro:

Use solamente aire comprimido regulado limpio como fuente de energía para esta herramienta. **NUNCA USE OXÍGENO, GASES COMBUSTIBLES O GASES ENVASADOS EN CILINDROS COMO FUENTE DE ENERGÍA PARA ESTA HERRAMIENTA, PUES LA HERRAMIENTA PUEDE EXPLOTAR.**

Regulador:

Se necesita un regulador de presión con una presión operativa de 0 - 8,6 barios para controlar la presión operativa con el fin de que la herramienta funcione en forma segura. No conecte esta herramienta a la presión de aire que potencialmente pueda superar 13,8 barios pues la herramienta puede fracturarse o explotar, causando posibles lesiones.

Presión operativa:

No supere la presión operativa máxima recomendada porque aumentará considerablemente el desgaste de la herramienta. El suministro de aire debe ser capaz de mantener la presión operativa de la herramienta. Las caídas de presión en el suministro de aire pueden reducir la energía impulsora de la herramienta. Consulte las “ESPECIFICACIONES DE LA HERRAMIENTA” para establecer la presión operativa correcta de la herramienta.

Filtro:

La suciedad y el agua en el suministro de aire son las causas principales de desgaste en las herramientas neumáticas. Resultará útil un filtro para obtener el mejor rendimiento y minimizar el desgaste de la herramienta. El filtro debe tener una capacidad de flujo adecuada para la instalación específica. El filtro debe mantenerse limpio para ser eficaz en el suministro de aire comprimido limpio a la herramienta. Consulte las instrucciones del fabricante para ver el mantenimiento adecuado del filtro. Si el filtro está sucio y obstruido ocasionará una caída de presión que a su vez reduce el rendimiento de la herramienta.

CARGA DEL MODELO 216

⚠ ADVERTENCIA:



Al cargar, operar o dar servicio a esta herramienta, el operador y los demás presentes en el área de trabajo deben usar SIEMPRE PROTECCIÓN DE LOS OJOS en conformidad con las especificaciones ANSI y que proteja contra partículas que vuelen por DELANTE y por el LADO. Se exige protegerse la vista para resguardarse contra grapas/puntas o residuos que vuelen, lo cual puede causar lesiones graves a los ojos. El empleador y/o el usuario deben asegurar que se protejan debidamente los ojos. El equipo de protección ocular

debe estar en conformidad con los requisitos del Instituto Nacional Americano de Normas (American National Standards Institute), ANSI Z87.1 y proteger por delante y por el costado. NOTA: Las gafas o caretas sin protección lateral por sí solas no dan una protección adecuada.

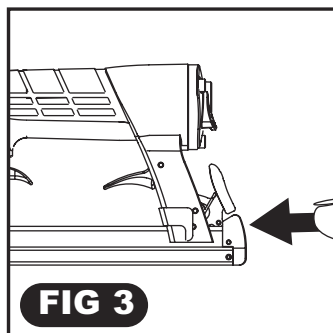
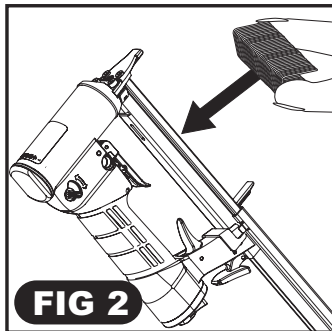
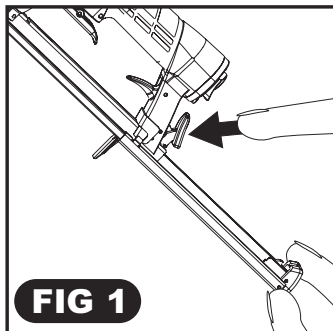
⚠ ADVERTENCIA:

PARA PREVENIR LESIONES ACCIDENTALES:

- Nunca coloque la mano ni ninguna parte del cuerpo en el área de descarga de grapas de la herramienta mientras esté conectado el suministro de aire.
- Nunca apunte la herramienta a una persona.
- Nunca participe en juegos rudos.
- Nunca accione el gatillo a menos que la punta esté dirigida hacia el trabajo.
- Siempre maneje la herramienta con cuidado.
- No accione el gatillo al cargar la herramienta.

Carga

1. Ponga la herramienta de lado con el área de descarga apuntando lejos de usted y de otras personas. Presione el pestillo de liberación rápida dentro del armazón de la herramienta o el pestillo en la parte de atrás del armazón principal. Deslice el riel hacia atrás.
2. Ponga la tira de grapas en el depósito.
3. Empuje el riel hacia adelante hasta que se cierre el pestillo. Ahora la herramienta queda lista para su uso.



FUNCIONAMIENTO DE LA HERRAMIENTA

ANTES DE MANIPULAR U OPERAR ESTA HERRAMIENTA:

- I. LEA DETALLADAMENTE LAS ADVERTENCIAS CONTENIDAS EN ESTE MANUAL.
- II. CONSULTE LAS "ESPECIFICACIONES DE LA HERRAMIENTA" EN ESTE MANUAL PARA IDENTIFICAR EL SISTEMA OPERATIVO EN LA HERRAMIENTA.

BOSTITCH ofrece dos tipos de funcionamiento para las herramientas de la serie 216.

IDENTIFICACIÓN DEL MODELO

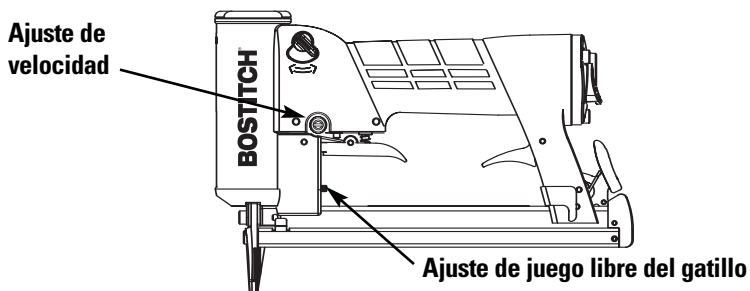
Consulte la Revisión funcional de la herramienta en la página 19 antes de proceder a usar esta herramienta.

Automático:

Identificado por

Ajuste de velocidad

Ajuste de juego libre del gatillo

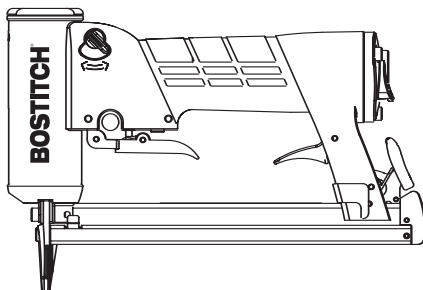


Funcionamiento con gatillo:

Identificado por

No hay ajuste de velocidad

No hay ajuste de juego libre del gatillo



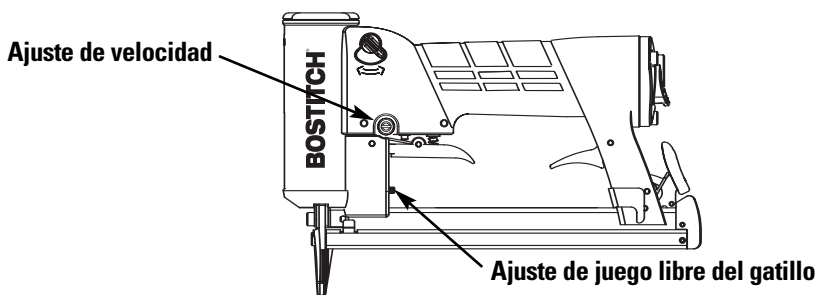
IDENTIFICACIÓN DEL MODELO (Continuación)

Funcionamiento con gatillo:

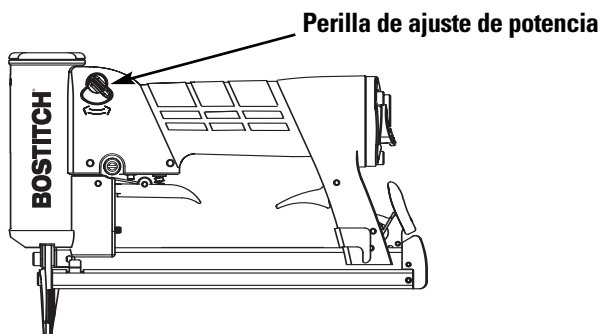
El modelo que funciona con gatillo hace ciclos según se accione el gatillo. La herramienta que funciona con gatillo hace ciclos cada vez que se usa el gatillo.

Automático:

El modelo automático hace ciclos según se accione el gatillo. Cuando se acciona ligeramente el gatillo con un movimiento corto la herramienta aplica una grapa o clavo. Cuando se acciona el gatillo lo más posible, la herramienta aplica automáticamente y continuamente las grapas o clavos hasta que se libere el gatillo. Es ajustable la velocidad con que se aplican las grapas o clavos en el modo automático. El tornillo de ajuste de la velocidad está ubicado en el lado izquierdo de la herramienta en el área de la válvula de disparo. Si se gira el tornillo en dirección hacia la izquierda aumenta la velocidad y en dirección hacia la derecha disminuye la misma. Este modelo también incluye un ajuste de juego libre del gatillo para regular la cantidad de movimiento del gatillo entre el funcionamiento individual y automático. Si se gira la perilla de ajuste a la izquierda aumenta el recorrido del gatillo entre la activación individual y la automática.



VÁLVULA DE AJUSTE DE POTENCIA



Para máxima potencia: Gire la válvula hacia la izquierda lo más lejos posible.

Para reducir la potencia: Gire la válvula hacia la derecha para obtener una reducción de hasta un 30%.

REVISIÓN FUNCIONAL DE LA HERRAMIENTA:

PRECAUCIÓN: Retire todas las grapas de la herramienta antes de revisar cómo funciona.

1. Herramienta de funcionamiento con gatillo:

- A. Con el dedo alejado del gatillo, sostenga la herramienta con un agarre firme de la empuñadura.
- B. Ponga la punta de la herramienta contra la superficie de trabajo.
- C. Accione el gatillo para hacer un ciclo con la herramienta. Libere el gatillo y se termina el ciclo.

PRECAUCIÓN: ¡LA HERRAMIENTA HARÁ UN CICLO CADA VEZ QUE SE ACCIONE EL GATILLO!

2. Herramienta automática:

- A. Con el dedo alejado del gatillo, sostenga la herramienta con un agarre firme de la empuñadura.
- B. Ponga la punta de la herramienta contra la superficie de trabajo.
- C. Modo de ciclo individual:

Accione ligeramente el gatillo para un solo ciclo. Libere el gatillo y se termina el ciclo.

PRECAUCIÓN: ¡LA HERRAMIENTA HARÁ UN CICLO CADA VEZ QUE SE ACCIONE EL GATILLO!

- D. Modo automático:

Accione el gatillo lo más posible para presionar ambos vástagos de válvula. Libere el gatillo para detenerse.

PRECAUCIÓN: LA HERRAMIENTA HARÁ UN CICLO HASTA 30 VECES POR SEGUNDO EN EL MODO AUTOMÁTICO.

ADEMÁS DE LAS OTRAS ADVERTENCIAS CONTENIDAS EN ESTE MANUAL OBSERVE LO SIGUIENTE PARA LA OPERACIÓN SEGURA

- Use la herramienta neumática BOSTITCH solamente para el fin que fue diseñada.
- Nunca use esta herramienta en forma que pueda causar la salida de una grapa hacia el usuario u otros presentes en el área de trabajo.
- No use la herramienta como martillo.
- Siempre lleve la herramienta tomándola por la empuñadura. Nunca lleve la herramienta tomándola por la manguera de aire.
- No altere ni modifique esta herramienta del diseño o función original sin la aprobación de BOSTITCH, INC.
- Siempre tenga presente que el uso indebido o la manipulación incorrecta de esta herramienta puede causarle lesiones a usted y a los demás.
- Nunca use abrazaderas ni cinta para bloquear el gatillo o el disparo de contacto en la posición activada.
- Nunca deje una herramienta sin supervisión con la manguera de aire conectada.
- No opere esta herramienta si no cuenta con una ETIQUETA DE ADVERTENCIA legible.
- Deje de usar la herramienta si tiene fugas de aire o no funciona bien. Notifique a su representante de Bostitch más cercano si la herramienta continúa experimentando problemas funcionales.

MANTENIMIENTO DE LA HERRAMIENTA NEUMÁTICA



Al trabajar con herramientas neumáticas, observe las advertencias de este manual y tenga sumo cuidado al evaluar herramientas con problemas.

Piezas de repuesto:

Se recomienda usar repuestos BOSTITCH. No use piezas modificadas ni componentes que no tengan un rendimiento equivalente al equipo original.

Procedimiento de ensamblaje para los sellos:

Al reparar una herramienta, fíjese que las piezas internas estén limpias y lubricadas. Use MAGNALUBE o un lubricante equivalente en todas las juntas tóricas. Cubra cada junta tórica con MAGNALUBE antes del ensamblaje. Use un poco de aceite en todas las superficies y pivotes móviles.

Presión y volumen del suministro de aire:

El volumen de aire es tan importante como la presión de aire. El volumen de aire suministrado a la herramienta puede ser inadecuado debido a accesorios y mangueras de tamaño inferior o por los efectos de suciedad y agua en el sistema. El flujo de aire restringido impedirá que la herramienta reciba un volumen de aire adecuado, aun cuando la lectura de presión sea alta. Los resultados serán: funcionamiento lento, aplicaciones erradas o menor potencia de impulso. Antes de evaluar los problemas de las herramientas según estos síntomas, inspeccione el suministro de aire desde la herramienta a la fuente de suministro en busca de conectores restrictivos, accesorios giratorios, puntos bajos que tengan agua y cualquier otra cosa que impida el flujo del volumen completo de aire a la herramienta.

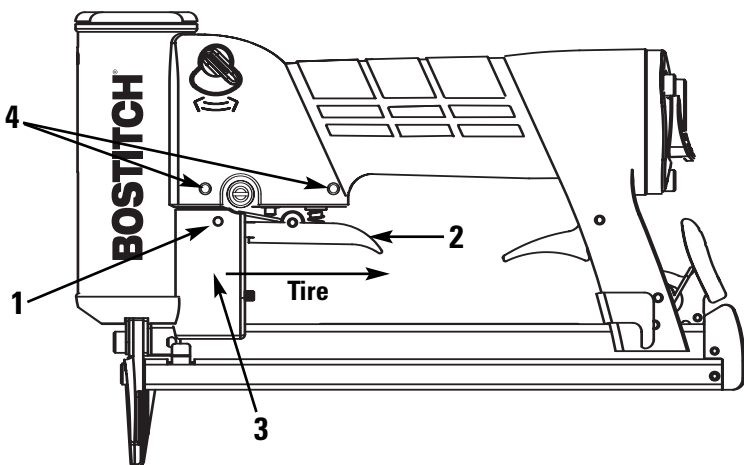
Desmontaje de la válvula de disparo:

Automática

1. Desmonte el pasador pivotante del disparador.
2. Retire el disparador.
3. Para desmontar el alojamiento de ajuste de juego libre del disparador tire en la dirección de la flecha hasta que pase la válvula.
4. Desmonte los dos pasadores de válvula de disparo y retire la válvula de disparo.

Válvula estándar

Desmonte los dos pasadores de válvula de disparo (artículo 4) y retire la válvula de disparo.



PROBLÈMES DE FONCTIONNEMENT

PROBLEMA	CAUSA	CORRECCIÓN
El alojamiento de la válvula de disparo tiene fuga de aire	La junta tórica está cortada o agrietada	Cambie la junta tórica
El vástago de la válvula de disparo tiene fuga de aire	La junta tórica o los sellos están cortados o agrietados	Cambie la junta tórica
El armazón o la punta tiene fuga de aire	El alojamiento o vástago de la válvula está dañado El tope está agrietado o desgastado	Cambie el alojamiento o vástago de la válvula Cambie el tope
El armazón o la tapa tiene fuga de aire	El sello está dañado	Cambie el sello
	El tope de la válvula cabezal está agrietado o desgastado	Cambie el tope
	Los tornillos de casquete están sueltos ..	Apriete y revíselos de nuevo
No hay ciclos	El suministro de aire está restringido	Revise el equipo de suministro de aire
	Las juntas tóricas están desgastadas en la válvula cabezal	Cambie las juntas tóricas
	El resorte en la tapa del cilindro está roto	Cambie el resorte de la tapa del cilindro
	La válvula cabezal está pegada en la tapa	Desarme/Revise/Lubrique lo necesario
Falta energía; el ciclo es lento	El resorte de la válvula cabezal está roto	Cambie el resorte de la válvula cabezal
	Las juntas tóricas o los sellos están cortados o agrietados	Cambie las juntas tóricas o los sellos
	El escape está bloqueado	Revise el tope y el deflector de la válvula cabezal
	El ensamblaje del gatillo está gastado o tiene fugas	Cambie el ensamblaje del gatillo
	Hay acumulación de suciedad o alquitrán en el impulsor	Desarme la punta o el impulsor para limpiar
	La válvula cabezal está defectuosa	Cambie la válvula cabezal
	La presión de aire está demasiado baja	Revise el equipo de suministro de aire
Se saltan grapas; alimentación intermitente	Alquitrán o suciedad en el canal impulsor	Desarme y limpie la punta y el impulsor
	Los anillos del pistón están desgastados	Cambie los anillos
	El resorte de empuje está dañado	Cambie el resorte
	Hay baja presión de aire	Revise el sistema de suministro de aire a la herramienta
	Los tornillos en la punta del depósito están sueltos	Apriete todos los tornillos
	Hay grapas dobladas	Deje de usar estas grapas
	Las grapas son del tamaño incorrecto	Use solamente las grapas recomendadas
	La empaquetadura de la tapa cabezal tiene fugas	Apriete los tornillos y cambie la empaquetadura
	La junta tórica de la válvula de disparo está cortada o desgastada	Cambie la junta tórica
Se atascan las grapas en la herramienta	El pasador pivotante del pestillo está roto	Cambie el pasador
	El impulsor está roto o picado	Cambie el impulsor (revise el anillo del pistón)
	El depósito está sucio	Limpe el depósito
	El depósito está desgastado	Cambie el depósito
	La válvula cabezal está rota	Cambie la válvula cabezal
	El canal del impulsor está desgastado	Cambie la punta, revise la puerta
	Las grapas son del tamaño incorrecto	Use solamente las grapas recomendadas
	Hay grapas dobladas	Deje de usar estas grapas
	Hay tornillos sueltos en el depósito o la punta	Apriete todos los tornillos
	El impulsor está roto o picado	Cambie el impulsor
	El resorte de empuje o el empujador está dañado	Cambie el resorte de empuje o el empujador

INTRODUCTION

Les agrafeuses pour tissus de recouvrement Bostitch sont des outils fabriqués avec précision, conçus pour des applications à haute vitesse et à fort volume. Elles offrent un service efficace et fiable lorsqu'elles sont utilisées correctement et avec soin. Comme pour tout outil puissant et sophistiqué, il faut suivre les instructions du fabricant pour obtenir de meilleures performances. Veuillez étudier ce manuel avant la mise en fonction de l'outil, et vous assurer d'avoir compris les avertissements et consignes de sécurité qu'il comporte. Lisez bien les instructions de l'installation, d'utilisation et d'entretien et gardez ce manuel pour référence ultérieure. **REMARQUE** : Des mesures de sécurité supplémentaires peuvent être requises, selon l'utilisation spécifique que vous voulez faire de l'outil. Pour tout renseignement sur l'outil et son usage, communiquez avec le Service à la clientèle Bostitch au 1-800-556-6696 ou écrivez à : Bostitch Customer Service, Briggs Drive, East Greenwich, RI 02818. Vous pouvez aussi visiter le www.bostitch.com

INDEX

Instructions de sécurité	23
Caractéristiques techniques de l'outil	24
Alimentation d'air et connexions	25
Chargement de l'outil	26
Fonctionnement de l'outil	27
Soupape de réglage de la puissance	28
Maintenance de l'outil pneumatique	30
Dépannage	31

REMARQUE :

Les outils Bostitch sont fabriqués dans le but d'assurer une totale satisfaction et sont conçus pour atteindre un rendement maximal lorsqu'ils sont utilisés avec des éléments d'assemblage répondant aux mêmes standards de qualité. **Bostitch ne peut assumer la responsabilité du fonctionnement d'un produit, lorsqu'il est utilisé avec des accessoires et éléments d'assemblage qui ne satisfont pas aux exigences spécifiques en vigueur pour les accessoires, agrafes et clous garantis d'origine BOSTITCH.**



GARANTIE LIMITÉE – É.-U. et Canada seulement

À partir du 1er décembre 2005, Bostitch, L.P. garantit à l'acheteur d'origine au détail que ce produit est exempt de tout défaut de matériaux et de fabrication et accepte, le cas échéant, de réparer ou de remplacer, à la discrétion de Bostitch, toute agrafeuse ou cloueuse de marque Bostitch défectueuse pour une période de sept (7) ans à partir de la date d'achat (1 (un) an à partir de la date d'achat pour les compresseurs et les outils utilisés dans des applications de production). Cette garantie n'est pas cessible. Une preuve de la date d'achat est requise. Cette garantie couvre uniquement les dommages résultant de défaut de matériaux et de fabrication, et ne couvre pas les conditions ou défauts de fonctionnement résultant d'une usure normale, d'une négligence, d'un usage abusif, d'un accident, d'une réparation ou d'une tentative de réparation par une entité autre que notre Centre de réparation national ou l'un de nos Centres de service de garantie autorisé. Les lames du mandrin, les amortisseurs, les joints toriques, les pistons et les garnitures de piston sont considérés comme des pièces normales d'usure. Pour une performance optimale de votre outil Bostitch, utilisez toujours des attaches et des pièces de rechange Bostitch d'origine.

CETTE GARANTIE REMPLACE TOUTE AUTRE GARANTIE, IMPLICITE OU EXPLICITE, COMPRENANT, MAIS SANS S'Y LIMITER, LES GARANTIES IMPLICITES DE COMMERCIALISATION OU D'ADAPTATION À UN USAGE PARTICULIER. BOSTITCH NE SERA PAS TENUE RESPONSABLE DES DOMMAGES INDIRECTS OU ACCESSOIRES.

Les limitations imposées par la durée d'une garantie implicite ou l'exclusion des dommages accessoires ou indirects n'étant pas reconnues dans certains États et pays, les limitations ou exclusions précitées peuvent ne pas vous être adressées. Cette garantie vous confère des droits juridiques spécifiques qui s'ajoutent aux autres droits éventuels qui peuvent varier d'une province, d'un État ou d'un pays à l'autre.

Pour obtenir aux États-Unis des services liés à la garantie, retournez le produit à vos frais accompagné de la preuve d'achat à votre Centre de service national américain ou à un Centre de service régional indépendant de garantie autorisé. Aux États-Unis, appelez-nous au 1-800-556-6696 ou visitez le www.BOSTITCH.com pour connaître l'emplacement du Centre le plus près de chez vous. Au Canada, appelez-nous au 1-800-567-7705 ou visitez le www.BOSTITCH.com.

CONSIGNES DE SÉCURITÉ

ATTENTION:

UNE PROTECTION DES YEUX, conforme aux normes ANSI et fournissant une protection contre les projectiles en provenance de l'AVANT et des CÔTÉS, doit toujours être portée par l'opérateur et les personnes présentes dans la zone de travail, lors du raccordement au réseau d'air, du chargement, du fonctionnement et de la maintenance de l'outil. Une telle protection est indispensable pour vous protéger contre les projections d'attaches et de particules qui peuvent entraîner des blessures graves.



L'employeur et/ou l'utilisateur doivent s'assurer du port d'une protection oculaire adéquate. L'équipement de protection oculaire doit être conforme aux normes ANSI Z87.1 (de l'Institut National Américain des Normes), et offrir une protection à la fois frontale et latérale. **REMARQUE** : les lunettes de protection sans écrans latéraux et les masques de protection portés seuls, n'offrent pas une protection suffisante.



ATTENTION : Des mesures de sécurité supplémentaires seront nécessaires dans certains environnements. Par exemple, la zone de travail peut comporter une exposition à des niveaux de bruit pouvant conduire à un dommage auditif. L'employeur et l'utilisateur doivent alors s'assurer qu'une protection auditive adéquate est offerte et utilisée par l'opérateur et toute autre personne se trouvant dans la zone de travail. Certains environnements de travail nécessitent le port d'un casque de sécurité. Dans ce cas, l'employeur et l'utilisateur doivent s'assurer qu'un casque de sécurité conforme à la norme ANSI Z89.1 est toujours porté.

ALIMENTATION EN AIR COMPRIMÉ ET RACCORDEMENT

ATTENTION:

L'oxygène ou les gaz combustibles ne doivent en aucun cas être employés comme source d'énergie, sachant que l'outil peut exploser et provoquer des blessures.

ATTENTION:

N'utiliser en aucun cas des sources d'énergie à une pression dépassant 14 kg/cm² (13,8 bars), car l'outil peut éclater et causer des blessures.

ATTENTION:

L'appareil ne doit pas rester sous pression lorsqu'il est déconnecté de la source d'air. Si un mauvais raccord est utilisé, l'outil peut demeurer sous pression même après le désaccouplement, et de ce fait, peut éjecter un élément d'assemblage et causer des blessures.

ATTENTION:

Ne pas appuyer sur la détente ou abaisser le mécanisme de contact tant que l'outil est connecté à la source d'air, car celui-ci peut se déclencher et donc provoquer des blessures.

ATTENTION:

Toujours désaccoupler l'appareil de sa source d'énergie : 1) avant tout réglage; 2) lors de l'entretien; 3) lors d'un désenrayage; 4) à la fin de l'utilisation; 5) lors du déplacement vers une nouvelle zone de travail, car un déclenchement accidentel peut se produire et causer des blessures.

CHARGEMENT DE L'APPAREIL

ATTENTION:

Lors du chargement de l'appareil : 1) Ne jamais placer la main ou toute autre partie du corps dans la direction de projection de l'élément d'assemblage de l'outil; 2) Ne jamais pointer l'outil vers quelqu'un; 3) Ne pas presser sur la détente ou appuyer sur le palpeur de surface, car un déclenchement accidentel peut se produire et causer des blessures.

FONCTIONNEMENT

ATTENTION:

Manipuler l'appareil avec précaution : 1) Ne pas jouer ou chahuter avec l'appareil; 2) Ne jamais appuyer sur la détente tant que le nez de l'appareil n'est pas dirigé vers la pièce à assembler; 3) Tenir les autres personnes à distance raisonnable de l'outil lors de l'utilisation de celui-ci, car un déclenchement accidentel peut se produire et causer des blessures.

ATTENTION:

Ne pas maintenir la détente pressée sur un outil possédant un mécanisme de contact, sauf pendant le travail d'assemblage, car un accident grave pourrait se produire si le palpeur de surface entrait en contact avec un objet ou une personne et entraînait le déclenchement de l'outil.

ATTENTION:

Lorsque l'appareil est connecté à la source d'énergie, éloigner les mains et le corps de l'orifice d'éjection. Un outil à mécanisme de contact peut «rebondir» après l'éjection d'un élément d'assemblage, et un second élément d'assemblage peut accidentellement être éjecté.

ATTENTION:

Vérifier régulièrement le mécanisme de contact. Ne pas utiliser un appareil dont le mécanisme de contact est inopérant, un accident peut en résulter. Ne pas changer le mode opératoire du mécanisme de contact.

ATTENTION:

Ne pas enfoncer des attaches lorsque l'outil est trop penché ou par-dessus d'autres attaches car cela pourrait faire dévier ces dernières et entraîner des blessures.

ATTENTION:

Ne pas enfoncer des attaches près du bord de la pièce car le bois pourrait se fendre et faire dévier les attaches, entraînant ainsi des blessures.

ATTENTION:

Pendant son fonctionnement, cette cloueuse génère des ÉTINCELLES. NE JAMAIS utiliser la cloueuse près de substances, gaz ou vapeurs inflammables, y compris : laque, peinture, benzène, solvant, essence, adhésifs, mastics, colles ou tous autres produits qui sont, eux ou leurs vapeurs, brumes ou produits dérivés, inflammables, combustibles ou explosifs. L'utilisation de la cloueuse dans un tel environnement pourrait mener à une EXPLOSION pouvant causer des blessures ou le décès de l'utilisateur ou de personnes à proximité.

ENTRETIEN DE L'APPAREIL

ATTENTION:

Lors de l'utilisation d'un outil fonctionnant sous-pression, lire les avertissements du manuel et user d'extrêmes précautions lors de la découverte d'un problème.

CARACTÉRISTIQUES TECHNIQUES DE L'OUTIL

Toutes les dimensions de vis et d'écrous sont exprimées en métrique

MODÈLE	LONGUEUR	HAUTEUR	LARGEUR	POIDS
21671B	221,25 mm	150,26 mm	40,2 mm	0,853 kg
21671B-LN	221,25 mm	198,30 mm	40,2 mm	0,912 kg
21671B-A	221,25 mm	150,26 mm	40,2 mm	0,867 kg
21671B-ALM	353,69 mm	150,26 mm	40,2 mm	1,075 kg
21680B	221,25 mm	150,26 mm	40,2 mm	0,807 kg
21680B-LN	221,25 mm	198,30 mm	40,2 mm	0,894 kg
21680B-ALM	353,69 mm	150,26 mm	40,2 mm	1,025 kg
21684B	221,25 mm	150,26 mm	40,2 mm	0,826 kg
21697B	221,25 mm	150,26 mm	40,2 mm	0,813 kg
216SJKB	221,25 mm	150,26 mm	40,2 mm	0,813 kg

CARACTÉRISTIQUES DES DISPOSITIFS DE FIXATION

MODÈLE D'OUTIL	SÉRIE D'AGRAFE	LARGEUR DE COURONNE	FORMAT DE FIL	GAMME D'ATTACHE
21671B	BA71	9,0 mm	0,58 mm X 0,75 mm	4 mm-16 mm
21671B-LN	BA71	9,0 mm	0,58 mm X 0,75 mm	4 mm-16 mm
21671B-A	BA71	9,0 mm	0,58 mm X 0,75 mm	4 mm-16 mm
21671B-ALM	BA71	9,0 mm	0,58 mm X 0,75 mm	4 mm-16 mm
21680B	BA80	13 mm	0,69 mm X 0,91 mm	4 mm-16 mm
21680B-LN	BA80	13 mm	0,69 mm X 0,91 mm	4 mm-16 mm
21680B-ALM	BA80	13 mm	0,69 mm X 0,91 mm	4 mm-16 mm
21684B	SBNK, ATRO 84	12,3 mm	0,55 mm X 1 mm	4 mm-16 mm
21697B	BA97	4,8 mm	0,69 mm X 0,91 mm	4 mm-16 mm
216SJKB	ATRO SJK	4,1 mm	0,60 mm X 0,70 mm	4 mm-16 mm

RACCORD DE L'OUTIL À AIR

Cet outil utilise un connecteur à passage intégral de 1/4 po N.P.T. Le diamètre intérieur doit être de 5 mm ou plus. La garniture doit être en mesure d'évacuer la pression pneumatique lorsque l'outil est déconnecté de l'alimentation d'air.

PRESSION DE FONCTIONNEMENT

4,8 à 6,9 bars. Choisir la pression de fonctionnement à l'intérieur de ces limites pour obtenir une meilleure performance du dispositif de fixation.

NE PAS DÉPASSER LA PRESSION DE FONCTIONNEMENT RECOMMANDÉE.

CONSOMMATION D'AIR

Le 216 exige 0,048 m³/min, et le 216-LN requiert 0,052 m³/min d'air libre pour fonctionner au rythme de 100 clous par minutes à 5,5 bars. Considérez le régime de fonctionnement de votre outil afin de déterminer le montant d'air requis. Par exemple, si votre cadence de clouage fait en moyenne 50 clous par minute, vous aurez besoin de 50 % du volume standard en pi/min requis pour une cadence de 100 clous par minute.

ALIMENTATION D'AIR ET CONNEXIONS

ATTENTION: N'utilisez pas d'oxygène, de gaz combustibles ni de gaz en bouteille comme source d'alimentation pour cet outil; il pourrait exploser et causer des blessures.

Raccords :

Installez un bouchon mâle sur l'outil qui assurera un passage intégral et libèrera la pression d'air de l'outil lorsqu'il est déconnecté de la source d'alimentation.

Boyaux :

Les boyaux à air doivent avoir une pression de fonctionnement maximale d'au moins 10,34 bars ou 150 pour cent de la pression maximum qui peut être produite par le système d'alimentation d'air. Le boyau d'alimentation doit comporter un raccord qui permettra une déconnexion rapide de la prise mâle de l'outil.

Source d'alimentation :

N'utilisez que de l'air comprimé propre et contrôlé comme source de puissance pour cet outil. **N'UTILISEZ JAMAIS D'OXYGÈNE, DE GAZ COMBUSTIBLES NI DE BOUTEILLES DE GAZ COMME SOURCE D'ALIMENTATION POUR CET OUTIL, CAR IL POURRAIT EXPLOSER.**

Régulateur :

Un régulateur de pression avec une pression de fonctionnement de 0 à 8,6 bars est requis pour contrôler la pression et permettre une utilisation sécuritaire de cet outil. Ne raccordez pas cet outil à une source de pression qui pourrait dépasser 13,8 bars, car l'outil pourrait se rompre ou éclater, ce qui risquerait de causer des blessures.

Pression de fonctionnement :

Ne dépassez pas la pression de fonctionnement recommandée; cela pourrait grandement accélérer l'usure de l'outil. L'alimentation d'air doit être en mesure de maintenir la pression de fonctionnement de l'outil. Une baisse de pression subite de l'alimentation d'air est susceptible de réduire la puissance motrice de l'outil. Consulter la section « CARACTÉRISTIQUES DE L'OUTIL » pour le réglage approprié de la pression.

Filtre :

La poussière et la vapeur d'eau en suspens dans l'air constituent la cause majeure de l'usure des outils pneumatiques. L'utilisation d'un filtre permettra d'obtenir de meilleures performances, ainsi qu'une usure minimum de l'outil. Le filtre doit pouvoir écouler l'air de façon adéquat pour une installation donnée. Il doit demeurer propre afin de fournir une source d'air comprimé optimale à l'outil. Consultez les instructions du fabricant pour assurer une maintenance correcte de votre filtre. Un filtre sale et bouché a pour effet une baisse de pression susceptible de réduire les performances de l'outil.

CHARGEMENT DU 216

ATTENTION:



UNE PROTECTION DES YEUX, conforme aux normes ANSI et fournissant une protection contre les projectiles en provenance de l'AVANT et des CÔTÉS, doit toujours être portée par l'opérateur et les personnes présentes dans la zone de travail, lors du raccordement au réseau d'air, du chargement, du fonctionnement et de la maintenance de l'outil. Une telle protection est indispensable pour vous protéger contre les projections d'attaches et de particules qui peuvent entraîner des blessures graves.

L'employeur et/ou l'utilisateur doivent s'assurer du port d'une protection oculaire adéquate. L'équipement de protection oculaire doit être conforme aux normes ANSI Z87.1 (de l'Institut National Américain des Normes), et offrir une protection à la fois frontale et latérale. **REMARQUE** : les lunettes de protection sans écrans latéraux et les masques de protection portés seuls, n'offrent pas une protection suffisante.

ATTENTION:

POUR PRÉVENIR UN ACCIDENT

- Ne jamais placer la main ou toute autre partie du corps dans la zone d'éjection des clous lorsque l'outil est relié à la source d'air.
- Ne jamais pointer le cloueur vers quelqu'un.
- Ne jamais jouer avec l'outil.
- Ne jamais appuyer sur la détente si le nez n'est pas dirigé vers le plan de travail.
- Toujours manier l'outil avec précautions.
- Ne pas appuyer sur la détente ou presser sur l'élément palpeur lors du chargement de l'outil.

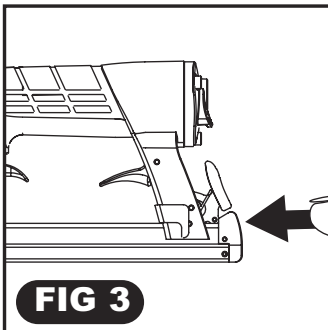
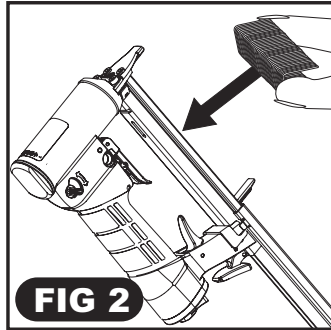
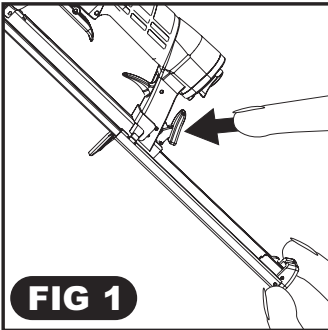
Chargement

1. Tournez l'outil vers le côté, avec la zone de décharge pointée loin de vous et d'autres personnes.

Enfoncez le verrou de dégagement rapide à l'intérieur du bâti de l'outil ou le verrou à l'arrière du bâti principal. Faites glisser le rail vers l'arrière.

2. Insérez la bande d'agrafes dans le magasin.

3. Poussez le rail vers l'avant jusqu'à ce que le verrou se bloque. L'outil est maintenant prêt à l'utilisation.



FONCTIONNEMENT DE L'OUTIL

AVANT DE MANIPULER OU D'UTILISER CET OUTIL :

- I. LISEZ ET COMPRENEZ LES AVERTISSEMENTS CONTENUS DANS CE MANUEL.
- II. CONSULTEZ LA SECTION « CARACTÉRISTIQUES DE L'OUTIL » DE CE MANUEL POUR IDENTIFIER LE TYPE D'EXPLOITATION DE VOTRE OUTIL.

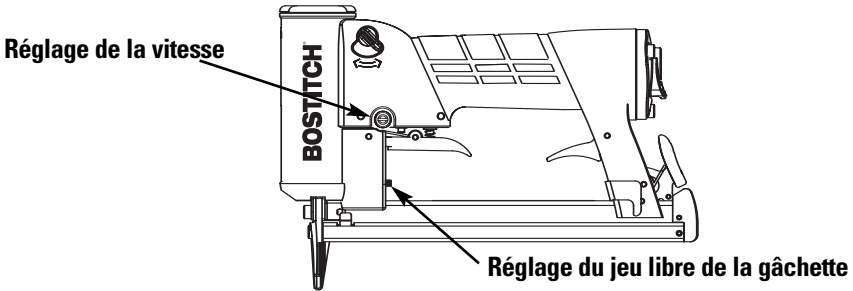
BOSTITCH offre deux types d'exploitation pour les outils de la série 216.

IDENTIFICATION DU MODÈLE

Consultez la section Vérification du fonctionnement de l'outil à la page 29 avant d'utiliser cet appareil.

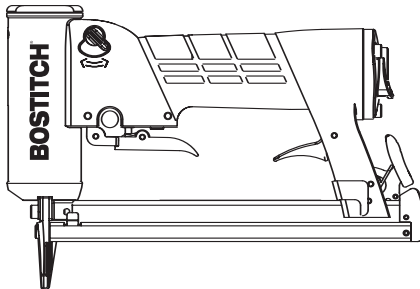
Automatique :

Reconnaisable par
Réglage de la vitesse
Réglage du jeu libre de la gâchette



Commandé par gâchette :

Reconnaisable par
Aucun réglage de la vitesse
Aucun réglage du jeu libre de la gâchette



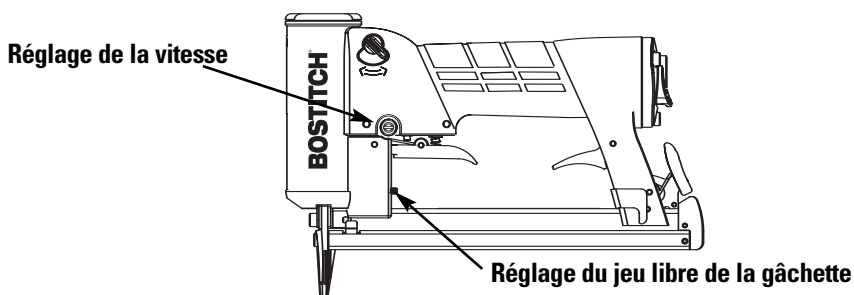
IDENTIFICATION DU MODÈLE (suite)

Commande par gâchette :

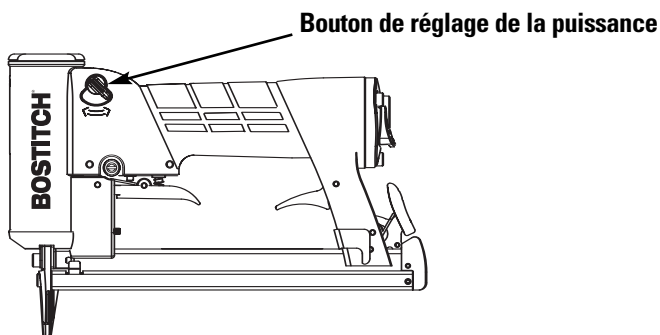
Le modèle commandé par gâchette est mis en marche par l'activation de la gâchette. Ce modèle se mettra en marche à chaque pression de la gâchette.

Automatique :

Le modèle automatique est aussi mis en marche par l'activation de la gâchette. Lorsqu'elle est enfoncée légèrement, avec un bref mouvement, l'outil enfoncera une attache. Lorsque la gâchette est enfoncée au maximum, l'outil enfoncera automatiquement des attaches jusqu'au relâchement de la gâchette. Le taux d'enfoncement des attaches en mode automatique est réglable. La vis de réglage de la vitesse est située sur le côté gauche de l'outil, dans la section de la soupape de déclenchement. Tournez la vis dans le sens anti-horaire pour augmenter la vitesse, et dans le sens horaire pour la diminuer. Ce modèle comporte également un réglage du jeu libre de la gâchette qui permet d'augmenter la course requise de la gâchette entre le mode automatique et l'enfoncement d'une seule attache. Tournez le bouton de réglage vers le gauche pour augmenter la course de la gâchette du fonctionnement unique jusqu'au mode automatique.



SOUPAPE DE RÉGLAGE DE LA PUISSANCE



Pour une puissance maximale : Tournez la soupape au maximum dans le sens anti-horaire.

Pour réduire la puissance : Tournez la soupape dans le sens horaire pour une réduction allant jusqu'à 30 %.

VÉRIFICATION DE L'ÉTAT DE MARCHÉ DE L'OUTIL :

ATTENTION : Retirez tous les dispositifs de fixation de l'outil avant d'effectuer la vérification de l'état de marche.

1. Outil commandé par gâchette :

- A. L'index loin de la gâchette, tenez l'outil avec une prime ferme sur la poignée.
- B. Placez le nez de l'outil contre la surface de travail.
- C. Appuyez sur la gâchette pour déclencher le cycle de l'outil. Relâchez la gâchette; le cycle est terminé.

ATTENTION : L'OUTIL EFFECTUERA UN CYCLE À CHAQUE FOIS QUE VOUS APPUYEZ SUR LA GÂCHETTE!

2. Outil automatique :

- A. L'index loin de la gâchette, tenez l'outil avec une prime ferme sur la poignée.
- B. Placez le nez de l'outil contre la surface de travail.
- C. Mode cycle unique :
Appuyez légèrement sur la gâchette pour un seul cycle. Relâchez la gâchette; le cycle est terminé.

ATTENTION : L'OUTIL EFFECTUERA UN CYCLE À CHAQUE FOIS QUE VOUS APPUYEZ SUR LA GÂCHETTE!

- D. Mode automatique :
Enfoncez la gâchette au maximum pour déplacer les deux tiges de soupape. Relâchez la gâchette pour arrêter.

ATTENTION : L'OUTIL EFFECTUERA JUSQU'À 30 CYCLES PAR SECONDE EN MODE AUTOMATIQUE.

EN PLUS DES AUTRES AVERTISSEMENTS CONTENUS DANS CE MANUEL, VEILLEZ À OBSERVER LES PRÉCAUTIONS SUIVANTES :

- Utilisez l'outil pneumatique BOSTITCH uniquement dans le but pour lequel il a été conçu.
- N'orientez jamais l'outil de façon à ce qu'il puisse éjecter une attache en direction de l'utilisateur ou d'autres personnes dans la zone de travail.
- N'utilisez jamais l'outil comme un marteau.
- Veillez à toujours transporter l'outil à l'aide de la poignée. Ne transportez jamais l'outil par le conduit d'air.
- Ne modifiez pas la conception ou la fonction originale de l'outil sans avoir obtenu l'accord de BOSTITCH, INC.
- Gardez toujours présent à l'esprit qu'une utilisation ou une manipulation incorrecte de cet outil est susceptible d'occasionner des blessures à vous-même et à d'autres personnes.
- Ne bloquez jamais la gâchette ou la butée de déclenchement en position enclenchée.
- Ne laissez jamais un outil sans surveillance avec le conduit d'air attaché.
- Ne faites pas fonctionner l'outil s'il ne comporte pas une ÉTIQUETTE D'AVERTISSEMENT lisible.
- Cessez d'utiliser l'outil en cas de fuite d'air ou s'il ne fonctionne pas correctement. Avisez votre représentant Bostitch si votre outil continue à mal fonctionner.

MAINTENANCE DE L'OUTIL PNEUMATIQUE



Avant de travailler sur des outils pneumatiques, lisez les avertissements du présent manuel et prenez des précautions supplémentaires durant l'évaluation d'outils à problèmes.

Pièces de rechange :

Nous recommandons les pièces de rechange BOSTITCH. N'utilisez pas de pièces modifiées ni de pièces qui ne donneront pas un rendement équivalent à celui de l'équipement original.

Procédure d'assemblage pour les joints :

Lors de la réparation d'un outil, assurez-vous que les pièces internes sont propres et lubrifiées. Utiliser le produit MAGNALUBE ou un équivalent sur tous les joints toriques. Avant l'assemblage, recouvrez chaque joint torique de produit MAGNALUBE. Appliquez une petite quantité d'huile sur toutes les surfaces mobiles et les pivots.

Alimentation d'air — pression et volume :

Le volume d'air est aussi important que la pression. Le volume d'air fourni à l'outil peut être inadéquat à cause de raccords et conduits sous-dimensionnés ou des effets de la saleté et de l'eau à l'intérieur du système. Un débit d'air restreint empêchera l'outil de recevoir un volume d'air adéquat, même si le manomètre indique une pression élevée. Il en résulte un fonctionnement ralenti, un défaut d'alimentation ou une force motrice réduite. Avant de rechercher ces symptômes sur les outils, remontez le circuit d'air à partir de l'outil jusqu'à la source et décelez tout connecteur ou raccord pivotant restrictif, tout point bas qui contiendrait de l'eau et tout autre problème qui empêche le volume maximal d'air de se rendre à l'outil.

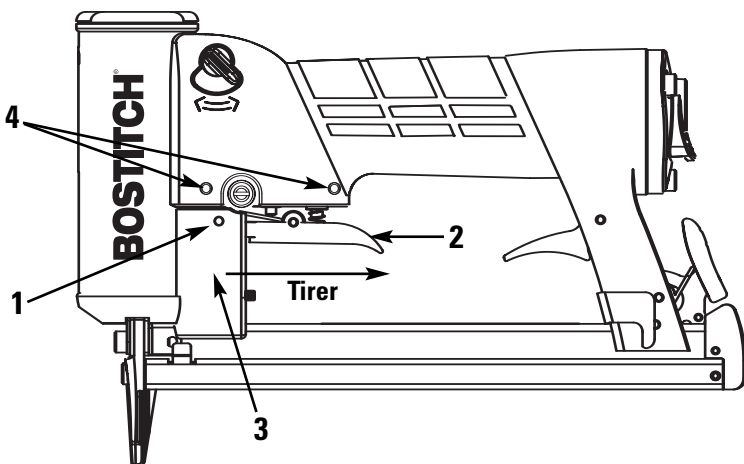
Enlèvement de la soupape de la gâchette :

Automatique

1. Retirez l'axe de pivotement de la soupape.
2. Retirez la gâchette.
3. Pour retirer la gâchette, dégagez le boîtier de réglage du jeu libre dans la direction de la flèche jusqu'à ce qu'il soit éloigné de la soupape.
4. Enlevez les deux goupilles de la soupape de la gâchette puis retirez cette dernière.

Soupape standard

Retirez les deux goupilles de la soupape de la gâchette (article 4) puis enlevez cette dernière.



PROBLÈME	CAUSE	CORRECTION
Le logement de soupape de la gâchette laisse fuir de l'air.....	Le joint torique est coupé ou craquelé	Remplacez le joint torique
La tige de soupape de la gâchette laisse fuir de l'air.....	Le joint torique est coupé ou craquelé	Remplacez le joint torique
Fuite d'air dans la structure ou le nez	De soupape sont endommagés L'amortisseur de soupape est craquelé ou trop usé	de soupape Remplacez l'amortisseur
Fuite d'air dans la structure ou le capuchon ..	Joint endommagé L'amortisseur de soupape est craquelé ou trop usé Vis d'assemblage desserrée	Remplacez le joint Remplacez l'amortisseur Resserrez la vis et vérifiez de nouveau.
Cycle échoué	Restriction dans l'alimentation d'air Les joints toriques de la soupape sont trop usés Le ressort du chapeau de bouteille est brisé La soupape est coincée dans le chapeau	Vérifiez l'équipement d'alimentation d'air Remplacez les joints toriques Remplacez le ressort du chapeau de bouteille Démontez, vérifiez et lubrifiez
Manque de puissance; cycle lent	Ressort de soupape cassé Les joints toriques/joints sont coupés ou craquelés Échappement bloqué	Remplacez le ressort de soupape Remplacez les joints toriques/joints Vérifiez l'amortisseur de soupape et le déflecteur Remplacez l'assemblage
Dispositifs de fixation qui sautent; alimentation intermittente	Des impuretés se sont accumulées sur le chargeur. Soupape défectueuse La pression d'air est trop basse	Démontez le nez de pose et le chargeur afin de les nettoyer Remplacez la soupape Vérifiez l'équipement d'alimentation d'air
Dispositifs de fixation qui sautent; alimentation intermittente	Goudron/saleté dans la rainure du chargeur Garnitures de piston trop usées Ressort-poussoir endommagé Pression d'air basse Les vis du nez de pose ou magasin sont desserrées Dispositifs de fixation pliés Taille incorrecte des dispositifs de fixation Le joint statique fuit Le joint torique de la soupape de déclenchement est coupé ou trop usé	Démontez le nez de pose et le chargeur afin de les nettoyer Remplacez les garnitures Remplacez le ressort Vérifiez le système d'alimentation d'air vers l'outil Resserrez toutes les vis Ne plus utiliser ce type de dispositif N'utilisez que les dispositifs recommandés Serrez les vis et remplacez le joint statique Remplacez le joint torique
Attaches bloquées dans l'outil	Axes de pivotement du verrou cassés Chargeur brisé ou détérioré Le magasin contient des impuretés Magasin trop usé Rainure du chargeur usée Taille incorrecte des dispositifs de fixation Dispositifs de fixation pliés Les vis du nez de pose ou magasin sont desserrées Chargeur brisé ou détérioré Le poussoir ou ressort-poussoir sont endommagés	Remplacer la goupille Remplacez le chargeur (vérifiez la garniture de piston) Nettoyez le magasin Remplacez le magasin Remplacez le nez de pose et vérifiez la porte N'utilisez que les dispositifs recommandés Cessez d'utiliser ce type de dispositif Resserrez toutes les vis Remplacez le chargeur Remplacez le poussoir ou ressort-poussoir