

# BLACK+ DECKER™

## TRIMMER/EDGER

INSTRUCTION MANUAL  
CATALOG NUMBER  
GH3000



### KEY INFORMATION YOU SHOULD KNOW:

- The guard must be installed before trimming or edging - if not, the motor will overheat.
- When replacing the line, use only .080 inch diameter ROUND line (B&D Model #SF-080 is recommended) - otherwise the appliance will not function properly.
- Do not bump the feed head against the ground - it will disrupt the automatic feed mechanism.

Thank you for choosing Black+Decker!

### PLEASE READ BEFORE RETURNING THIS PRODUCT FOR ANY REASON.

If you have a question or experience a problem with your Black+Decker purchase, go to <http://www.blackanddecker.com/instantanswers>

If you can't find the answer or do not have access to the Internet, call 1-800-544-6986 from 8 a.m. to 5 p.m. EST Mon. - Fri. to speak with an agent. Please have the catalog number available when you call.

### SAVE THIS MANUAL FOR FUTURE REFERENCE.

VEA EL ESPAÑOL EN LA CONTRAPORTADA.

INSTRUCTIVO DE OPERACIÓN, CENTROS DE SERVICIO Y PÓLIZA DE GARANTÍA.

ADVERTENCIA: LÉASE ESTE INSTRUCTIVO ANTES DE USAR EL PRODUCTO.

To register your new product, call 1-800-544-6986 or visit  
[www.BlackandDecker.com/NewOwner](http://www.BlackandDecker.com/NewOwner)

## SAFETY GUIDELINES - DEFINITIONS

It is important for you to read and understand this manual. The information it contains relates to protecting **YOUR SAFETY and PREVENTING PROBLEMS.**

The symbols below are used to help you recognize this information.

**⚠ DANGER:** Indicates an imminently hazardous situation which, if not avoided, will result in death or serious injury.

**⚠ WARNING:** Indicates a potentially hazardous situation which, if not avoided, could result in death or serious injury.

**⚠ CAUTION:** Indicates a potentially hazardous situation which, if not avoided, may result in minor or moderate injury.

**NOTICE:** Used without the safety alert symbol indicates potentially hazardous situation which, if not avoided, may result in property damage.

**⚠ WARNING:** When using electric gardening appliances, basic safety precautions should always be followed to reduce risk of fire, electric shock, and personal injury, including the following.

## IMPORTANT SAFETY WARNINGS AND INSTRUCTIONS

### TO REDUCE RISK OF INJURY:

- Before any use, be sure everyone using this trimmer reads and understands all safety instructions and other information contained in this manual.
- Save these instructions and review frequently prior to use and in instructing others.

**⚠ CAUTION:** Failure to comply with the recommendations outlined in the key information section will void warranty.

**⚠ WARNING:** Some dust created by this product contains chemicals known to the State of California to cause cancer, birth defects or other reproductive harm. Some examples of these chemicals are:

- compounds in fertilizers
- compounds in insecticides, herbicides and pesticides
- arsenic and chromium from chemically treated lumber

To reduce your exposure to these chemicals, wear approved safety equipment such as dust masks that are specially designed to filter out microscopic particles.

**⚠ WARNING:** **ALWAYS** use safety glasses. Everyday eyeglasses are **NOT** safety glasses. Also use face or dust mask if trimming operation is dusty. **ALWAYS WEAR CERTIFIED SAFETY EQUIPMENT:**

- ANSI Z87.1 eye protection (CAN/CPA Z94.3),
- NOSH/OSHA respiratory protection.

**⚠ WARNING:** Always wear proper personal hearing protection that conforms to ANSI S12.6 (S3.19) during use. Under some conditions and duration of use, noise from this product may contribute to hearing loss.

## READ ALL INSTRUCTIONS

- **ALWAYS WEAR EYE PROTECTION** – Wear safety glasses or goggles at all times when this trimmer is plugged in.
- **GUARD** – Do not use this trimmer without guard attached.
- **DRESS PROPERLY** – Do not wear loose clothing or jewelry. They can be caught in moving

- parts. Rubber gloves and substantial rubber soled footwear are recommended when working outdoors. Don't operate the trimmer when barefoot or wearing open sandals. Wear **heavy long pants** to protect your legs. Wear protective hair covering to contain long hair.
- **NYLON LINE** – Keep face, hands and feet clear of rotating nylon line at all times.
  - **THE ROTATING LINE PERFORMS A CUTTING FUNCTION** – Use care when trimming around screens and desirable plants.
  - **KEEP ALL BYSTANDERS AWAY** – at a safe distance from work area, especially children.
  - **IMPORTANT WARNING** – When being used as an Edger, stones, pieces of metal and other objects can be thrown out at high speed by the line. The trimmer and guard are designed to reduce the danger. However, the following special precautions should be taken: **MAKE SURE** that other persons and pets are at least 100 feet (30m) away.
  - **TO REDUCE THE RISK** of rebound (ricochet) injury, work going away from any nearby solid object such as wall, steps, large stone, tree, etc. Use great care when working close to solid objects and where necessary, do edging or trimming by hand.
  - **AVOID ACCIDENTALLY STARTING** – Don't carry plugged-in trimmer with finger on trigger.
  - **DO NOT FORCE THE APPLIANCE** – at a rate faster than the rate at which it is able to cut effectively.
  - **USE THE RIGHT APPLIANCE** – Do not use this trimmer for any job except that for which it is intended.
  - **DON'T OVERREACH** – Keep proper footing and balance at all times.
  - **DAMAGE TO UNIT** – If you strike or become entangled with a foreign object, stop trimmer immediately, unplug, check for damage and have any damage repaired before further operation is attempted. Do not operate with a broken hub or spool.
  - **DAMAGE TO CORD** – Keep power cord away from rotating line. If you damage the cord, unplug it from the power supply before moving the tool or examining the damage. A damaged cord must be replaced before further use.
  - **SECURE EXTENSION CORD** using the cord retainer shown in **Figure H**.
  - **DISCONNECT TRIMMER** – when not in use, when replacing line, or prior to cleaning.
  - **AVOID DANGEROUS ENVIRONMENTAL CONDITIONS** – Do not use electric appliances in damp or wet locations. Follow all instructions in this Instruction Manual for proper operation of your trimmer. Don't use the trimmer in the rain.
  - **DO NOT OPERATE** portable electric trimmers in gaseous or explosive atmospheres. Motors in these trimmers normally spark, and the sparks might ignite fumes.
  - **STORE IDLE TRIMMERS INDOORS** – When not in use, trimmers should be stored indoors in a dry, locked-up place out of reach of children.
  - **STAY ALERT** – Do not operate this unit when you are tired, ill, or under the influence of alcohol, drugs, or medication.
  - **GROUND FAULT CIRCUIT INTERRUPTER (GFCI)** protection should be provided on the circuit(s) or outlet(s) to be used for the trimmer. Receptacles are available having built-in GFCI protection and may be used for this measure of safety.
  - **DON'T ABUSE CORD** – Never carry trimmer by cord or yank it to disconnect from receptacle. Keep cord from heat, oil, and sharp edges.
  - **REPLACEMENT PARTS** – When servicing use only identical replacement parts.
  - **MAINTAIN TRIMMERS WITH CARE** – Follow instructions in maintenance section. Keep handles dry, clean and free from oil and grease.
  - **CHECK DAMAGED PARTS** – Before further use of the trimmer, a guard or other part that is damaged should be carefully checked to determine that it will operate properly and perform its intended function. Check for alignment of moving parts, binding of moving parts, breakage of parts, mounting, and any other condition that may affect its operation. A guard or other part that is damaged should be properly repaired or replaced by an authorized service center unless otherwise indicated elsewhere in this manual.
  - **DO NOT** immerse trimmer in water or squirt it with a hose. **DO NOT** allow any liquid to get inside it.

- DO NOT store the trimmer on or adjacent to fertilizers or chemicals.
- DO NOT clean with a pressure washer.
- Keep guards in place and in working order.
- Keep hands and feet away from cutting area.

**⚠WARNING:** Do not use trimmer if the switch trigger does not turn the trimmer on or off. Any trimmer that can not be controlled with the switch trigger is dangerous and must be repaired.

## SAVE THESE INSTRUCTIONS

### SYMBOLS

The label on your trimmer may include the following symbols. The symbols and their definitions are as follows:

|              |   |                      |  |
|--------------|---|----------------------|--|
| V.....       | volts                                       | A.....               | amperes                                    |
| Hz.....      | hertz                                       | W.....               | watts                                      |
| min          | minutes                                     | ~ or Ac.....         | alternating current                        |
| — or DC..... | direct current                              | n <sub>o</sub> ..... | no load speed                              |
| Ⓛ.....       | Class I Construction<br>(grounded)          | Ⓧ.....               | earthing terminal                          |
| Ⓜ.....       | Class II Construction<br>(double insulated) | ⚠.....               | safety alert symbol                        |
| 📖.....       | Read instruction<br>manual before use       | .../min or rpm...    | revolutions or<br>reciprocation per minute |
| 👂.....       | Use proper hearing protection               | 🧤.....               | Use proper respiratory protection          |
| 🕶.....       | Use proper eye protection                   | 🕶.....               | Use proper eye protection                  |

### ADDITIONAL WARNINGS FOR STRING TRIMMERS

1. Keep the air intake slots (**Figure H2**) clean to avoid overheating.
2. Your trimmer line can dry out over time. To keep your line in top condition, store spare pre-wound spools or bulk line in a plastic, sealable bag with a tablespoon of water.
3. Plastic parts may be cleaned by using a mild soap and a damp rag.
4. DO NOT immerse appliance in water or squirt it with a hose. DO NOT allow any liquid to get inside it.
5. Do not store the appliance on or adjacent to fertilizers or chemicals.
6. DO NOT clean with a pressure washer.
7. The line cutter on the edge of the guard can dull over time.

### SAFETY WARNINGS AND INSTRUCTIONS: POLARIZED PLUGS

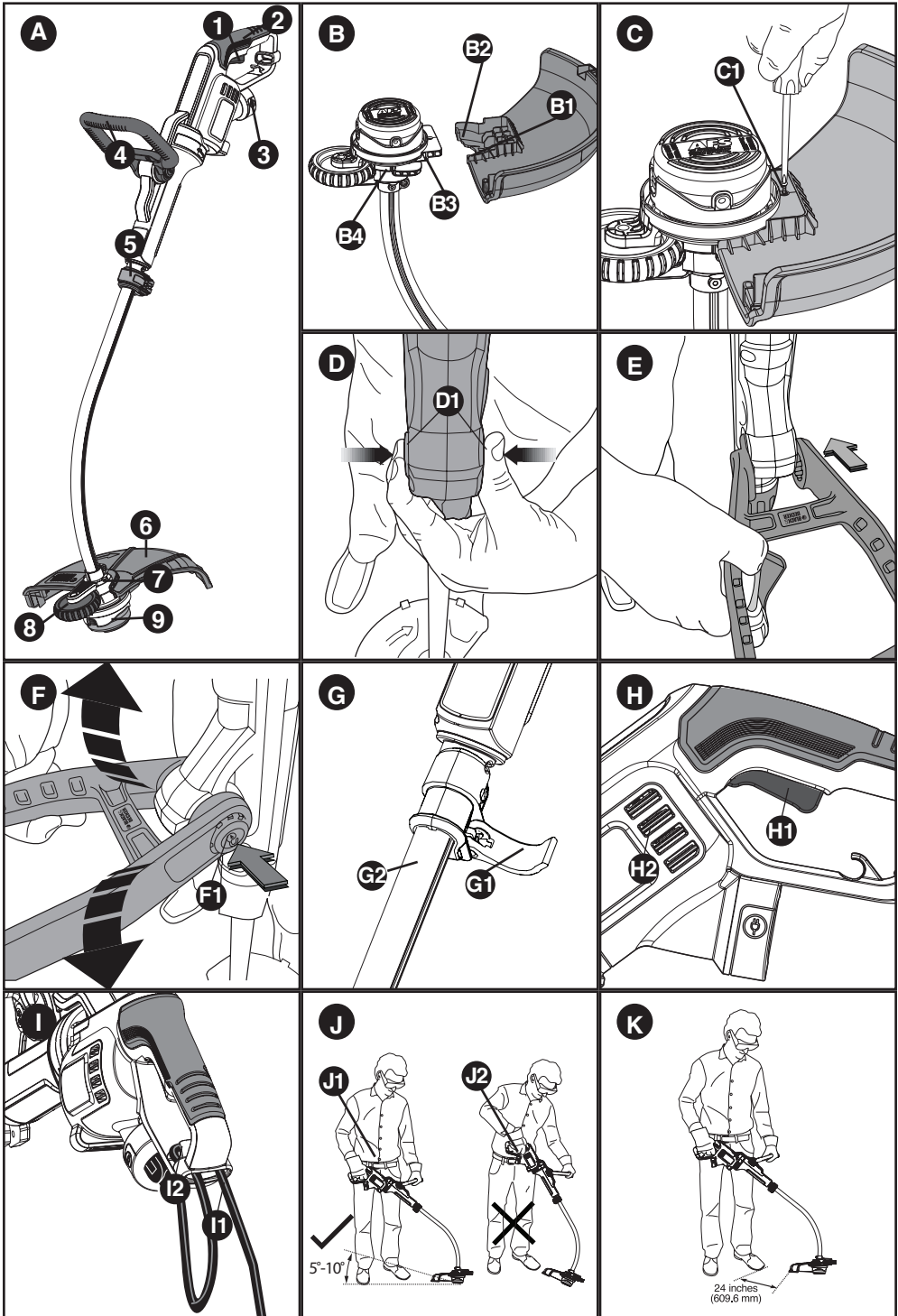
**⚠CAUTION:** To reduce the risk of electric shock, this equipment has a polarized plug (one blade is wider than the other) and will require the use of a polarized extension cord. The trimmer plug will fit into a polarized extension cord only one way. If the plug does not fit fully into the extension cord, reverse the plug. If the plug still does not fit, obtain a correct polarized extension cord. A polarized extension cord will require the use of a polarized wall outlet. This plug will fit into the polarized wall outlet only one way. If the plug does not fit fully into the wall outlet, reverse the plug. If the plug still does not fit, contact a qualified electrician to install the proper wall outlet. Do not change the equipment plug, extension cord receptacle, or extension cord plug in any way.

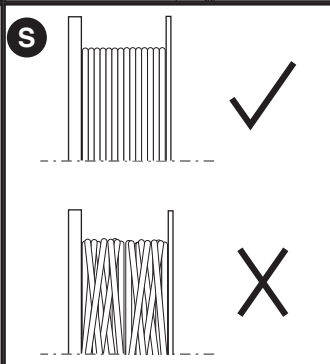
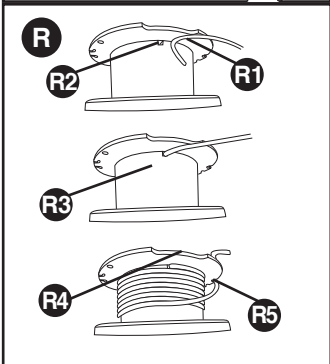
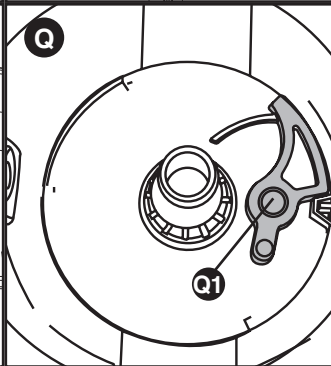
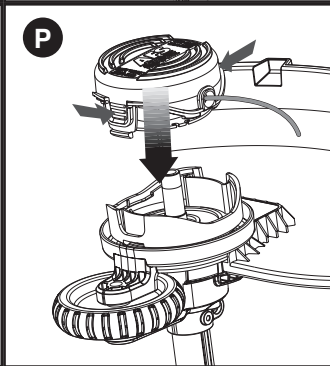
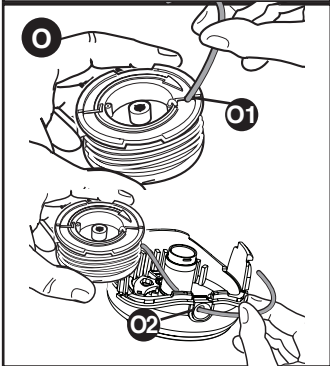
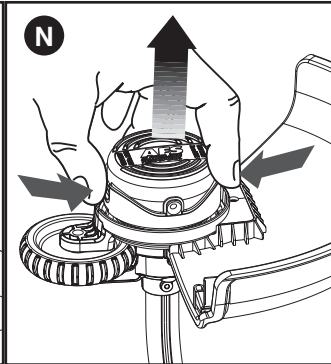
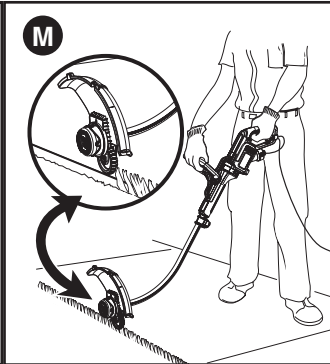
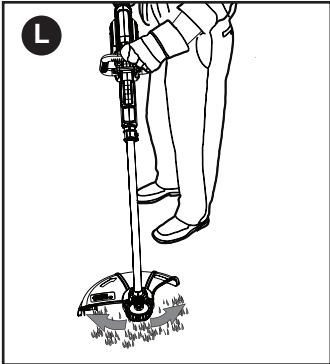
### SAFETY WARNINGS AND INSTRUCTIONS: EXTENSION CORDS

**⚠WARNING:** To reduce the risk of electric shock, use only with an extension cord intended for outdoor use, such as an extension cord of cord type SW-A, SOW-A, STW-A, STOW-A, SJW-

A, SJOW-A, SJTW-A. or SJTOW-A. Make sure your extension cord is in good condition. When using an extension cord, be sure to use one heavy enough to carry the current your product will draw. An undersized cord will cause a drop in line voltage resulting in loss of power and overheating. The table shows the correct size to use depending on cord length and nameplate ampere rating. If in doubt, use the next heavier gauge. The smaller the gauge number, the heavier the cord. If the extension will be used outside, the cord must be suitable for outdoor work. The letters "WA" on the cord jacket indicate that the cord is suitable for outdoor use.

| Volts         |               | Minimum Gauge for Cord Sets  |                      |                        |                         |
|---------------|---------------|------------------------------|----------------------|------------------------|-------------------------|
|               |               | Total Length of Cord in Feet |                      |                        |                         |
| 120V          |               | 0-25<br>(0-7,6m)             | 26-50<br>(7,6-15,2m) | 51-100<br>(15,2-30,4m) | 101-150<br>(30,4-45,7m) |
| Ampere Rating |               | American Wire Gauge          |                      |                        |                         |
| More Than     | Not more Than |                              |                      |                        |                         |
| 6             | - 10          | 18                           | 16                   | 14                     | 12                      |





## FUNCTIONAL DESCRIPTION (FIGURE A)

- |                          |                     |                     |
|--------------------------|---------------------|---------------------|
| 1. On/Off Trigger Switch | 4. Auxillary Handle | 7. Edge Guide Wheel |
| 2. Handle                | 5. Collar           | 8. Guard            |
| 3. Power Cord Plug       | 6. Motor Housing    | 9. Spool            |

## ASSEMBLY

**ASSEMBLY TOOLS REQUIRED (NOT SUPPLIED):** Phillips Screwdriver

**⚠WARNING:** UNPLUG THE TRIMMER BEFORE ATTEMPTING TO ATTACH THE GUARD, EDGE GUIDE OR HANDLE. NEVER OPERATE TOOL WITHOUT GUARD FIRMLY IN PLACE. THE GUARD MUST ALWAYS BE ON THE TOOL TO PROTECT THE USER.

### ATTACHING THE GUARD (FIGURES B, C)

**⚠WARNING:** NEVER OPERATE TRIMMER WITHOUT GUARD FIRMLY IN PLACE.

The guard must always be properly attached on the appliance to protect the user.

- Remove the screw from the guard.
- Keeping the guard square to the trimmer head slide it into place until the retaining tab clicks into place (Ensure that the guide rails (B1) on the guard (B2) are correctly aligned with the guide rails (B3) on the trimmer head (B4) (figure B).
- Secure the guard with the screw (C1) (figure C).

### ATTACHING THE AUXILIARY HANDLE (FIGURES D, E)

- To attach the handle, press in on the buttons (D1) on both sides of the upper housing as shown in figure D.
- Position the handle as shown in figure E. Partially push the handle on so that it will hold the buttons in when you release them with your hand.
- Push the handle completely onto the housing and position it slightly until it “snaps” into place (figure E).
- To adjust the handle up or down, press in on the button (F1) and raise or lower the handle.
- The handle should be adjusted so that your front arm is straight when the trimmer is in the working position.

### ADJUSTING THE HEIGHT OF THE APPLIANCE (FIGURE G)

This appliance has a telescopic mechanism, allowing you to set it to a comfortable height.

To adjust the height setting:

- Release the height adjust locking clamp (G1).
- Gently pull the tube (G2) up or down to the desired height.
- Close the height adjust locking clamp (G1).

## OPERATION

**⚠WARNING:** Always use proper eye protection that conforms to ANSI Z87.1 (CAN/CSA Z94.3) while operating this power appliance.

**⚠WARNING:** Disconnect the plug from the power source before making any assembly, adjustments or changing accessories. Such preventive safety measures reduce the risk of starting the trimmer accidentally.

**⚠CAUTION:** Before you begin trimming, only use the appropriate type of cutting line.

**⚠CAUTION:** Inspect area to be trimmed and remove any wire, cord, or string-like objects which could become entangled in the rotating line or spool. Be particularly careful to avoid any wire which



might be bent outwardly into the path of the trimmer, such as barbs at the base of a chain link fence.

## **SWITCHING ON AND OFF (FIGURE H)**

**⚠WARNING:** Never attempt to lock the trigger switch in the on position.

- To switch the trimmer on, squeeze the trigger switch (H1).
- To switch the trimmer off, release the trigger switch (H1).

## **EXTENSION CORD RETAINER (FIGURE I)**

**⚠WARNING:** Ensure the trigger switch is not engaged to reduce the risk of starting the appliance accidentally. A cord retainer is incorporated into the rear of the handle on the power head.

- To use the cord retainer as shown in figure I, feed the extension cord into the cord retainer housing (I1). Loop the extension cord around the cord retainer (I2) so it rests in the cord retainer. Then plug the extension cord into the power head.

## **OPERATING THE TRIMMER (FIGURES J, K)**

**⚠WARNING:** Disconnect the plug from the power source before making any adjustments.

- Connect power cord plug to an electric outlet, then connect power cord to the trimmer.
- Maintain a cutting angle of 5° to 10° as shown in figure J1. Do not exceed 10° (figure J2). Cut with the tip of the line.
- Maintain a minimum distance of 24 inches (609.6 mm) between the guard and your feet as shown in figure K. To achieve this distance adjust the overall height of the trimmer as shown in figure G.

## **CHOOSING TRIMMING OR EDGING MODE (FIGURES L, M)**

**⚠WARNING:** Disconnect the plug from the power source before making any assembly, adjustments or changing accessories. Such preventive safety measures reduce the risk of starting the appliance accidentally.

- The appliance can be used in trimming mode as shown in figure L or in edging mode to trim overhanging grass along lawn edges and flower beds as shown in figure M.

### **TRIMMING MODE**

**⚠CAUTION:** The wheeled edge guide should only be used when in the edging mode.

For trimming, the trimmer head should be in the position shown in figure L. If it is not:

- Disconnect the plug from the power source.
- Release the height adjust locking clamp (G1).
- Hold the trimmer with one hand on the auxiliary handle and one hand on the tube near the trimmer head. Then rotate the tube and head clockwise.
- Close the height adjust locking clamp.
- With the unit on, slowly swing the trimmer side to side as shown in Figure L.

**NOTE:** The tube and head will only rotate in one direction.

### **EDGING MODE**

For edging, the trimmer head should be in the position shown in figure M. If it is not:

- Disconnect the plug from the power source.
- Release the height adjust locking clamp (G1).
- Hold the trimmer with one hand on the auxiliary handle and one hand on the tube near the trimmer head. Then rotate the tube and head counterclockwise.
- Close the height adjust locking clamp.

**NOTE:** The tube and head will only rotate in one direction.

**NOTE:** The Auto Feed System may not operate correctly if wheeled edge guide is not used.

## EDGING

Optimum cutting results are achieved on edges deeper than 2 inches (50 mm)

- Do not use this appliance to create edges or trenches.
- Using the edging wheel, guide the appliance as shown in figure M.
- Position the edging wheel on the edge of the sidewalk or abrasive surface so the cutting line is over the grass or dirt area to be edged.

**NOTE:** You will experience faster than normal cutting line wear if the edging wheel is positioned too far from the edge with the cutting line positioned over the sidewalk or abrasive surface.

- To make a closer cut, slightly tilt the appliance.

## CUTTING LINE / LINE FEEDING

**⚠CAUTION:** Only use the appropriate type of cutting line.

Use Black+Decker replacement spool Model No. SF-080.

**NOTE:** USE ONLY .080 inch (2.0 mm) DIAMETER ROUND NYLON MONO FILAMENT LINE. Do not use serrated or heavier gauge line, as they will overload the motor and cause overheating. Your trimmer uses .080 inch (2.0 mm) diameter, ROUND nylon line. During use, the tips of the nylon lines will become frayed and worn and the special self feeding spool will automatically feed and trim a fresh length of line. DO NOT BUMP unit on ground in attempt to feed line or for any other purposes. Cutting line will wear faster and require more feeding if the cutting or edging is done along sidewalks or other abrasive surfaces or heavier weeds are being cut.

## CLEARING JAMS AND TANGLED LINE (FIGURES N, O, P)

**⚠WARNING:** Disconnect the plug from the power source before making any assembly, adjustments or changing accessories. Such preventive safety measures reduce the risk of starting the appliance accidentally. From time to time, especially when cutting thick or stalky weeds, the line feeding hub may become clogged with sap or other material and the line will become jammed as a result. To clear the jam, follow the steps listed below.

- Disconnect the plug from the power source.
- Press the release tabs on the line spool cap, as shown in figure N and remove the cap by pulling it straight off.
- Pull the nylon line spool out and clear any broken line or cutting debris from the spool area.
- Place spool and line into spool cap with line “parked” in slots provided as shown in figure O1.
- Insert the line end through the appropriate hole in the spool cap. Pull slack line through until it pulls out of the holding slots as shown in figure O2.
- Press the spool down GENTLY and rotate it until you feel it drop into place and then push to snap into place. (When in place, the spool will turn a few degrees left and right freely).
- Take care to keep the line from becoming trapped under the spool.
- Align the spool cap tabs with the slots on the spool housing (figure P).
- Snap the spool cap back on as shown in figure P by depressing lugs and pressing into spool housing.

**NOTE:** Make sure that cover is fully positioned, listen for two audible clicks to ensure both lugs are correctly located. Power the appliance on. In a few seconds or less you'll hear the nylon line being cut automatically to the proper length.

**NOTE:** Other replacement parts (guards, spool caps, etc.) are available through Black+Decker service centers. To find your local service location call: 1-800-544-6986 or visit [www.blackanddecker.com](http://www.blackanddecker.com).

**⚠WARNING:** The use of any accessory not recommended by Black+Decker for use with this appliance could be hazardous.

## **REPLACING THE SPOOL (FIGURES N, O, P, Q)**

**⚠WARNING:** Disconnect the plug from the power source before making any assembly, adjustments or changing accessories. Such preventive safety measures reduce the risk of starting the appliance accidentally.

**⚠CAUTION:** To avoid appliance damage, if the cutting line protrudes beyond the trimming blade, cut it off so that it just reaches the blade.

- Depress the tabs and remove the spool cap from the spool housing on the trimmer head figure N.
- Grasp empty spool with one hand and spool cap with other hand and pull spool out.
- Replace spool with Black+Decker model # SF-080.
- Remove any dirt and grass from the spool and spool cap.
- If lever (Q1) in base of spool cap becomes dislodged, replace in correct position before inserting a new spool.
- Unfasten the end of the cutting line and guide the line into the eyelet (O2).
- Press the spool GENTLY into the spool cap and rotate it until you feel it drop into place. Then push to snap into place. (When in place, the spool will turn a few degrees left and right freely).
- Take care to keep the line from becoming trapped under the spool.
- Align the spool cap tabs with the slots on the spool housing (figure P).
- Snap the spool cap back on as shown in figure P by depressing lugs and pressing into spool housing.

NOTE: The line should protrude approximately 4-13/16 inches (122mm) from the housing.

## **REWINDING SPOOL (FIGURES R, S)**

**⚠WARNING:** Disconnect the plug from the power source before making any assembly, adjustments or changing accessories. Such preventive safety measures reduce the risk of starting the appliance accidentally.

**NOTE:** USE ONLY .080 inch (2.0 mm) DIAMETER ROUND NYLON MONO FILAMENT LINE. Do not use serrated or heavier gauge line, as they will overload the motor and cause overheating.

**NOTE:** Hand wound spools from bulk line are likely to become tangled more frequently than Black+Decker factory wound spools. For best results, factory wound spools are recommended.

To rewind spool, follow the steps below:

- Remove the empty spool from the appliance as described in “REPLACING THE SPOOL”.
- Make a fold at the end of the cutting line at about 3/4 inch (19mm)(R1).
- Insert the folded cutting line into the upper hole inside of the spool (R2) as shown in figure R3.
- Wind the cutting line onto the spool in the direction of the arrow on the spool. Make sure to wind the line on neatly and in layers. Do not crisscross figure S.
- When the wound cutting line reaches the recesses (R4), cut the line and dock it in the spool line slots (R5) .
- Fit the spool cap onto the appliance as described in “REPLACING THE SPOOL” (figures O, P).

## TROUBLESHOOTING

### Problem

- Unit will not start.

### Possible Cause

- Cord not plugged in.
- Circuit fuse is blown.

### Possible Solution

- Plug appliance into a working outlet.
- Replace circuit fuse. (If the product repeatedly causes the circuit fuse to blow, discontinue use immediately and have it serviced at a Black+Decker service center or authorized servicer.)
- Reset circuit breaker. (If the product repeatedly causes the circuit breaker to trip, discontinue use immediately and have it serviced at a Black+Decker service center or authorized servicer.)
- Have cord or switch replaced at Black +Decker Service Center or Authorized Servicer

- Cutting line is consumed quickly in edge mode.

- Edging too far from edge of sidewalks or abrasive surfaces. The cutting line is hitting the sidewalk or abrasive surface.

- Ensure edging wheel is on the edge of the surface and the cutting line is positioned in the grass or dirt area to be edged not the sidewalk or other abrasive surface.

## MAINTENANCE

**⚠WARNING:** Disconnect the plug from the power source before performing any maintenance.

**⚠CAUTION:** To assure product SAFETY and RELIABILITY, repairs, maintenance and adjustment should be performed by authorized service centers or other qualified service organizations, always using identical replacement parts.

1. Keep the air intake slots clean to avoid overheating.
2. Your trimmer line can dry out over time. To keep your line in top condition, store spare pre-wound spools or bulk line in a plastic, sealable bag with a tablespoon of water.
3. Plastic parts may be cleaned by using a mild soap and a damp rag.
4. The line cutter on the edge of the guard can dull over time. It is recommended you periodically touch-up the sharpness of the blade with a file.

## SERVICE INFORMATION

All Black+Decker Service Centers are staffed with trained personnel to provide customers with efficient and reliable power tool service. Whether you need technical advice, repair, or genuine factory replacement parts, contact the Black+Decker location nearest you. To find your local service location call: 1-800-544-6986 or visit [www.blackanddecker.com](http://www.blackanddecker.com)  
This Class B digital apparatus complies with Canadian ICES-003.

This device complies with part 15 of the FCC rules. Operation is subject to the following two conditions: (1) This device may not cause harmful interference, and (2) this device must accept any interference received, including interference that may cause undesired operation.

**NOTE:** This equipment has been tested and found to comply with the limits for a Class B digital device, pursuant to Part 15 of the FCC Rules. These limits are designed to provide reasonable

protection against harmful interference in a residential installation. This equipment generates, uses and can radiate radio frequency energy and, if not installed and used in accordance with the instructions, may cause harmful interference to radio communications. However, there is no guarantee that interference will not occur in a particular installation.

If this equipment does cause harmful interference to radio or television reception, which can be determined by turning the equipment off and on, the user is encouraged to try to correct the interference by one or more of the following measures:

- Reorient or relocate the receiving antenna.
- Increase the separation between the equipment and receiver.
- Connect the equipment into an outlet on a circuit different from that to which the receiver is connected.
- Consult the dealer or an experienced radio/TV technician for help.

Changes or modifications to this unit not expressly approved by the party responsible for compliance could void the user's authority to operate the equipment. This Class B digital apparatus complies with Canadian ICES-003.

## **TWO-YEAR LIMITED WARRANTY**

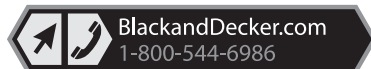
Black+Decker (U.S.) Inc. warrants this product to be free from defects in material or workmanship for a period of two (2) years following the date of purchase, provided that the product is used in a home environment. This limited warranty does not cover failures due to abuse, accidental damage or when repairs have been made or attempted by anyone other than Black+Decker and its Authorized Service Centers. A defective product meeting the warranty conditions set forth herein will be replaced or repaired at no charge in either of two ways:

The first, which will result in exchanges only, is to return the product to the retailer from whom it was purchased (provided that the store is a participating retailer). Returns should be made within the time period of the retailer's policy for exchanges. Proof of purchase may be required. Please check with the retailer for its specific return policy regarding time limits for returns or exchanges. The second option is to take or send the product (prepaid) to a Black+Decker owned or authorized Service Center for repair or replacement at Black+Decker's option. Proof of purchase may be required. Black+Decker owned and authorized service centers are listed online at [www.blackanddecker.com](http://www.blackanddecker.com).

This warranty does not apply to accessories. This warranty gives you specific legal rights and you may have other rights which vary from state to state. Should you have any questions, contact the manager of your nearest Black+Decker Service Center. This product is not intended for commercial use, and accordingly, such commercial use of this product will void this warranty. All other guarantees, express or implied, are hereby disclaimed.

**LATIN AMERICA:** This warranty does not apply to products sold in Latin America. For products sold in Latin America, check country specific warranty information contained in the packaging, call the local company or see the website for such information.

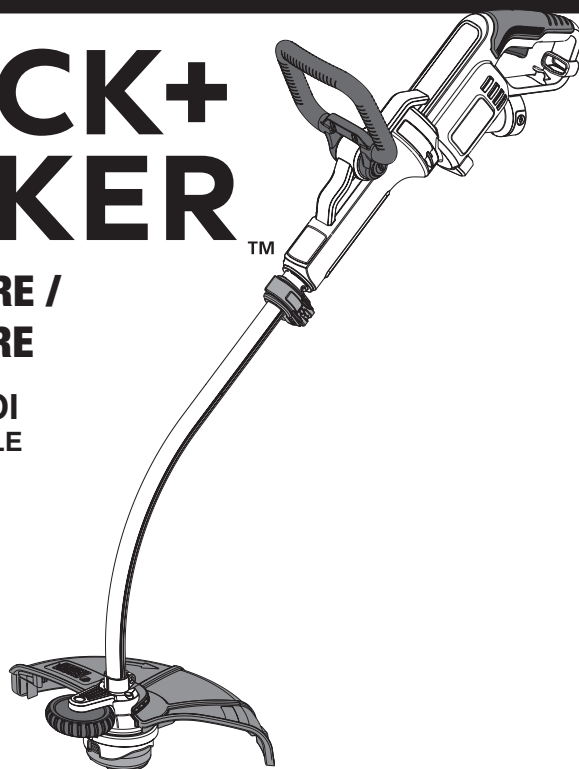
Imported by  
Black+Decker (U.S.) Inc.,  
701 E. Joppa Rd.  
Towson, MD 21286 U.S.A.



# BLACK+ DECKER

## TAILLE-BORDURE / COUPE-BORDURE

MODE D'EMPLOI  
NUMÉRO DE MODÈLE  
GH3000



### VOICI DES RENSEIGNEMENTS IMPORTANTS QU'IL VOUS FAUT CONNAÎTRE :

- Le pare-main doit être installé avant de débiter le taillage ou la coupe sinon le moteur surchauffera.
- Utiliser seulement un fil ROND de 2 mm (0,08 po) de diamètre lors du remplacement (modèle SF-080 de B&D recommandé), sinon l'appareil ne fonctionnera pas correctement.
- Éviter de frapper la tête d'alimentation contre le sol. En effet, cela endommagera le mécanisme d'alimentation.

**MERCI D'AVOIR CHOISI BLACK+DECKER!**

### À LIRE AVANT DE RETOURNER CE PRODUIT POUR QUELQUE RAISON QUE CE SOIT :

Si des questions ou des problèmes surgissent après l'achat d'un produit Black+Decker, consulter le site Web [www.blackanddecker.com/instantanswers](http://www.blackanddecker.com/instantanswers) pour obtenir des réponses instantanément 24 heures par jour. Si la réponse est introuvable ou en l'absence d'accès à l'Internet, composer le 1 800 544-6986 de 8 h à 17 h HNE, du lundi au vendredi, pour parler avec un agent. Prière d'avoir le numéro de catalogue sous la main lors de l'appel.

Pour l'achat d'un filtre de recharge composer le 1-888-678-7278

**CONSERVER CE MODE D'EMPLOI POUR UN USAGE ULTÉRIEUR. ADVERTENCIA:**

Consulter le site Web [www.BlackandDecker.com/NewOwner](http://www.BlackandDecker.com/NewOwner)  
pour enregistrer votre nouveau produit.

## LIGNES DIRECTRICES EN MATIÈRE DE SÉCURITÉ - DÉFINITIONS

Il est important que vous lisiez et compreniez ce mode d'emploi. Les informations qu'il contient concernent VOTRE SÉCURITÉ et visent à ÉVITER TOUT PROBLÈME. Les symboles ci-dessous servent à vous aider à reconnaître cette information.

**⚠ DANGER:** Indique une situation dangereuse imminente qui, si elle n'est pas évitée, causera la mort ou des graves blessures.

**⚠ AVERTISSEMENT:** Indique une situation potentiellement dangereuse qui, si elle n'est pas évitée, pourrait causer la mort ou de graves blessures.

**⚠ MISE EN GARDE :** Indique une situation potentiellement dangereuse qui, si elle n'est pas évitée, pourrait causer des blessures mineures ou modérées.

**MISE EN GARDE:** Utilisé sans le symbole d'alerte à la sécurité, indique une situation potentiellement dangereuse qui, si elle n'est pas évitée, peut résulter en des dommages à la propriété.

### ⚠ AVERTISSEMENT : AVERTISSEMENTS DE SÉCURITÉ ET DIRECTIVES DE PREMIÈRE IMPORTANCE

#### ⚠ RÉDUCTION DES RISQUES DE BLESSURES :

Avant tout usage, s'assurer que tout utilisateur de cet outil lise et comprenne toutes les directives de sécurité ainsi que l'information comprise dans le présent manuel.

- Conserver ces directives et les examiner fréquemment avant d'utiliser l'appareil ou de donner des directives aux autres.

**⚠ MISE EN GARDE:** Négliger de se conformer aux recommandations décrites dans la section des informations importantes annulera la garantie.

**⚠ AVERTISSEMENT:** Si des outils de jardinage sont utilisés, des précautions de base en matière de sécurité doivent être suivies afin de réduire le risque d'incendie, de choc électrique et de blessure corporelle, notamment les suivantes :

**⚠ AVERTISSEMENT:** Certaines poussières produites par cet outil contiennent des produits chimiques reconnus par l'État de la Californie comme pouvant causer le cancer, les anomalies congénitales et d'autres dangers pour la reproduction. Voici quelques exemples de ces produits chimiques :

- composés présents dans les engrais
- composés présents dans les insecticides, herbicides et pesticides
- arsenic et chrome provenant de bois traité chimiquement

Pour réduire votre exposition à ces produits chimiques, porter un équipement de sécurité approuvé comme un masque anti-poussières conçu spécialement pour filtrer les particules microscopiques.

**⚠ AVERTISSEMENT :** Ce produit contient des produits chimiques, y compris du plomb, reconnus par l'état de la Californie comme pouvant être cancérigènes et pouvant entraîner des anomalies congénitales et d'autres dangers relatifs à la reproduction. Se laver les mains après la manipulation de l'appareil.

**⚠ MISE EN GARDE :** Porter un pare-main anti-bruit pendant l'utilisation. Dans certaines conditions et selon la durée d'utilisation, le bruit provoqué par ce produit peut contribuer à une perte auditive.

**BIEN LIRE ET COMPRENDRE TOUTES LES DIRECTIVES AVANT D'UTILISER L'OUTIL.**

## **⚠ AVERTISSEMENTS ET DIRECTIVES DE SÉCURITÉ GÉNÉRALES POUR TOUS LES OUTILS.**

- **TOUJOURS PORTER UNE PROTECTION OCULAIRE** - Porter des lunettes ou des lunettes protectrices en tout temps lorsque cet outil est branché.
- **DISPOSITIF DE PROTECTION** – Ne pas utiliser cet outil sans les dispositifs de protection en place.
- **S'HABILLER DE MANIÈRE APPROPRIÉE** - Ne pas porter de vêtements amples ni de bijoux. Ils peuvent s'enchevêtrer dans les pièces mobiles. Des gants en caoutchouc et des chaussures adéquates à semelles en caoutchouc sont recommandés lors de travaux à l'extérieur. Ne pas utiliser l'outil avec les pieds nus ou des sandales ouvertes. Porter des pantalons longs pour protéger vos jambes. Se couvrir les cheveux s'ils sont longs.
- **FIL EN NYLON** - Tenir le visage, les mains et pieds loin du fil de nylon rotatif en tout temps.
- **LE FIL EN ROTATION EXÉCUTE UNE COUPE** - Être attentif lors de taillage autour de grillages et de plates-bandes.
- **TENIR ÉLOIGNÉ TOUS LES SPECTATEURS** - À une distance sécuritaire de l'aire de travail, particulièrement les enfants.
- **AVERTISSEMENT IMPORTANT** : lorsque l'outil est utilisé comme coupe bordure, des pierres, morceaux de métal et autres objets peuvent être projetés à haute vitesse par le fil. L'outil et le dispositif de protection sont conçus pour réduire le risque. Toutefois, les précautions spéciales suivantes doivent être prises :
- **S'ASSURER** que toute personne et animaux sont éloignés d'au moins 30 m (100 pi).
- **POUR RÉDUIRE LE RISQUE** de blessures par ricochet, travaillez en vous éloignant de tout objet solide tel un mur, des marches, de grosses pierres, d'arbres, etc. Soyez très prudent lors de travaux près d'objets solides et, le cas échéant, taillez ou coupez manuellement.
- **ÉVITER LES DÉMARRAGES ACCIDENTELS** - Ne pas transporter d'outil branché avec le doigt sur la détente.
- **NE PAS FORCER L'OUTIL** - à tourner à une vitesse plus rapide que celle pour laquelle il est capable de couper efficacement.
- **UTILISER LE BON OUTIL** - Ne pas utiliser cet outil pour tout autre type de travail sauf pour celui pour lequel il est prévu.
- **NE PAS TROP TENDRE LES BRAS** - Conserver son équilibre en tout temps.
- **NE PAS UTILISER LE CORDON DE FAÇON ABUSIVE** - Ne pas tirer sur le cordon d'alimentation pour le débrancher. Tenir le cordon éloigné de la chaleur, de l'huile et des bords tranchants.
- **OUTIL ENDOMMAGÉ** - Si vous frappez ou devenez enchevêtré dans un objet, arrêtez immédiatement l'outil, débranchez-le puis inspectez pour toute trace de dommages qui devront être réparés avant une autre utilisation. Ne pas utiliser avec un moyeu ou une bobine brisés.
- **CORDON D'ALIMENTATION ENDOMMAGÉ** - Tenir éloigné le cordon d'alimentation du fil rotatif. En cas de dommages au cordon d'alimentation, débranchez-le de la prise avant de déplacer l'outil ou d'inspecter le dommage. Un cordon endommagé doit être remplacé avant sa prochaine utilisation.
- **DÉBRANCHER L'OUTIL** – Lorsque inactif, lors de remplacement de fil ou avant un nettoyage.
- **ÉVITER LES CONDITIONS ENVIRONNEMENTALES DANGEREUSES** - Ne pas utiliser d'outils électriques dans des lieux humides ou mouillés. Suivre toutes les directives de ce mode d'emploi pour une utilisation adéquate de votre outil. Ne pas utiliser l'outil sous la pluie.
- **NE PAS UTILISER** d'outils électriques portatifs dans un milieu gazeux ou déflagrant. Les moteurs de ces outils produisent normalement des étincelles qui pourraient enflammer des vapeurs.
- Un disjoncteur de fuite de terre doit être installé pour protéger les circuits ou les prises utilisés pour cet appareil électrique. Des prises avec fonction de disjoncteur de fuite de terre intégrées sont aussi disponibles et peuvent être utilisées comme mesures de sécurité.
- **NE PAS UTILISER LE CORDON DE MANIÈRE ABUSIVE** : Ne jamais transporter l'appareil électrique par son cordon ou tirer sur ce dernier pour le débrancher de la prise. Tenir le cordon éloigné de la chaleur, de l'huile et des bords tranchants.
- **PIÈCES DE RECHANGE** : Pour réparer, n'utiliser que des pièces de rechange identiques.
- **RANGER LES OUTILS INUTILISÉS À L'INTÉRIEUR** – Lorsqu'ils ne sont pas utilisés, les outils doivent être rangés à l'intérieur, dans un endroit sec et verrouillé, hors de portée des enfants.
- **UN DISJONCTEUR DE FUITE DE TERRE** doit être installé pour protéger les circuits ou



prises utilisés pour cet appareil électrique de jardin. Des prises avec fonction de disjoncteur de fuite de terre intégrées sont aussi disponibles et peuvent être utilisées comme mesures de protection.

- **FIXER LE CORDON D'ALIMENTATION** à l'aide du dispositif de retenue de celui-ci tel qu'illustré à la figure 3.
- **ÊTRE VIGILANT** – Surveiller le travail effectué. Faire preuve de jugement. Ne pas utiliser l'outil en cas de fatigue.
- **PRENDRE SOIN DES OUTILS ÉLECTRIQUES** – Suivre les directives figurant à la section Entretien. Inspecter régulièrement les rallonges électriques et remplacer si endommagées. Maintenir les poignées sèches, propres et exemptes d'huile et de graisse.
- **VÉRIFIER LES PIÈCES ENDOMMAGÉES** – Avant toute utilisation ultérieure de l'appareil électrique, un dispositif de protection endommagé, ou toute autre pièce endommagée, doit être examiné soigneusement afin d'assurer un fonctionnement adéquat selon sa fonction prévue. Vérifier l'alignement des pièces mobiles, la présence de grippage des pièces mobiles, de rupture de pièces, la fixation et tout autre problème pouvant nuire au fonctionnement de l'outil. Un dispositif de protection endommagé, ou toute autre pièce endommagée, doit être réparé ou remplacé adéquatement par un centre de réparation autorisé à moins d'un avis contraire indiqué dans le présent mode d'emploi.

**⚠ AVERTISSEMENT : Pour réparer tout outil à double isolation, VEUILLEZ UTILISER DES PIÈCES DE RECHANGE IDENTIQUES.** Remplacer ou réparer les cordons endommagés.

**⚠ AVERTISSEMENT :** Pour prévenir un choc électrique ou une électrocution, se servir uniquement d'une rallonge convenant à une utilisation à l'extérieur. Toujours brancher les rallonges à une prise avec fusible ou protégée par un disjoncteur.

### **⚠ AVERTISSEMENTS SUPPLÉMENTAIRES POUR MINITONDEUSES À FIL ROTATIF**

1. Tenir les orifices de ventilation (figure 14) dégagés pour éviter la surchauffe.
2. Votre fil rotatif peut sécher avec le temps. Pour tenir votre fil en excellente condition, entreposer les bobines de rechange de fil pré-enroulé ou le fil en vrac dans un sac en plastique scellé contenant une cuillère d'eau.
3. Les pièces en plastique se nettoient avec un savon doux et un chiffon humide.
4. NE PAS immerger l'outil dans l'eau ou l'arroser au boyau. ÉVITER la pénétration de tout liquide dans l'outil.
5. Ne pas ranger l'outil sur des engrais ou des produits chimiques ou près de ceux-ci.
6. NE PAS nettoyer avec un nettoyeur à pression.
7. Le coupe fil sur le bord du dispositif de protection peut s'émousser avec le temps.

### **⚠ AVERTISSEMENTS DE SÉCURITÉ ET DIRECTIVES : FICHES POLARISÉES**

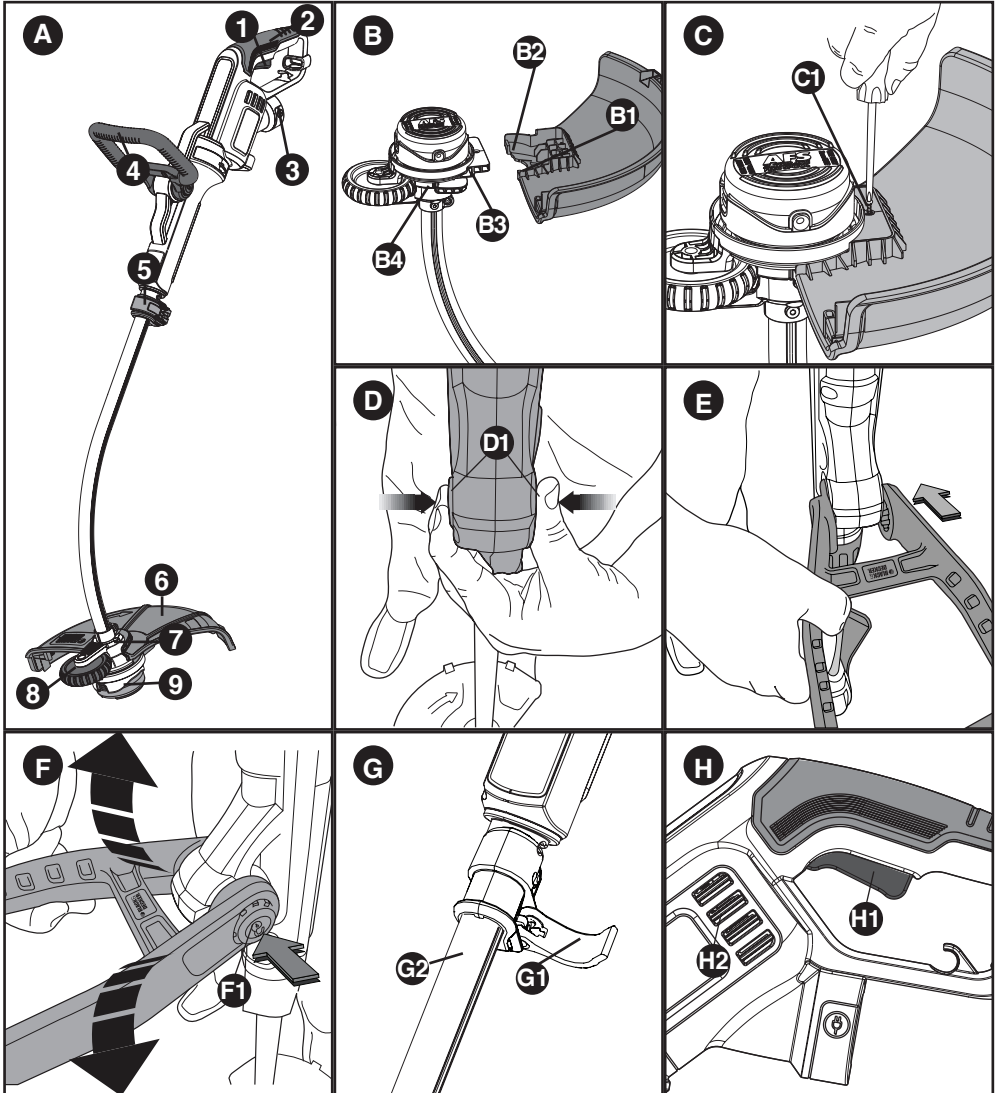
Pour réduire le risque de chocs électriques, cet équipement comporte une fiche polarisée (une broche est plus large que l'autre) et exigera l'utilisation d'une rallonge polarisée. La fiche de l'outil électrique ne se branchera que d'une seule façon dans une rallonge polarisée. Si la fiche ne s'insère pas totalement dans la rallonge, renversez-la. Si la prise ne s'insère toujours pas, rechercher une rallonge polarisée appropriée. Une rallonge polarisée exigera l'utilisation d'une prise murale polarisée. Cette fiche ne se branchera que d'une seule façon dans une prise murale polarisée. Si la fiche ne s'insère pas totalement dans la prise murale, renversez-la. Si elle ne s'insère toujours pas dans la prise, demandez à un électricien compétent d'installer une prise murale polarisée. Ne modifiez en aucun cas la fiche de l'appareil, la prise ou la fiche de la rallonge.

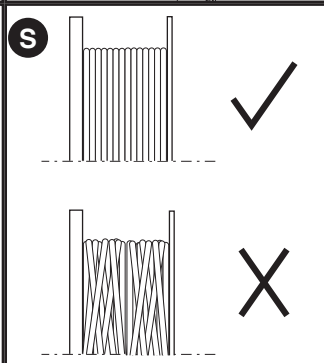
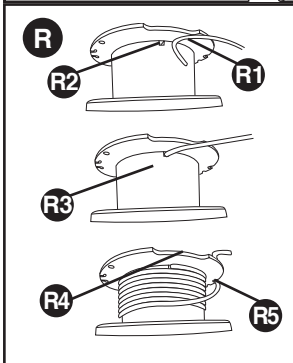
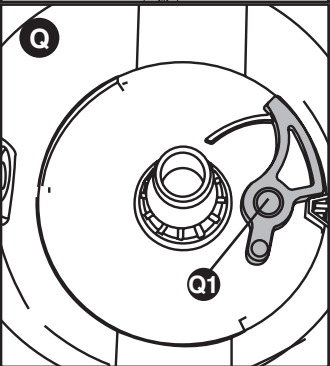
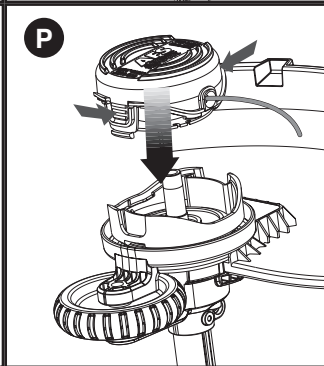
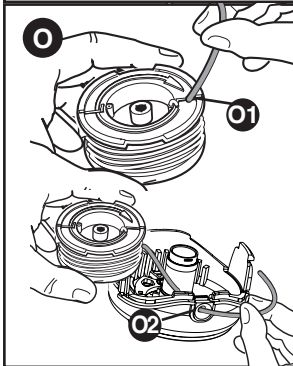
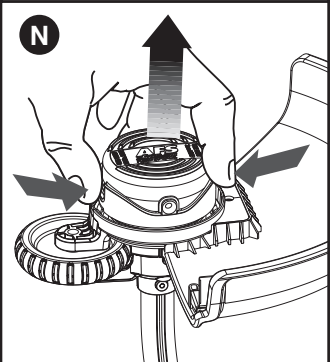
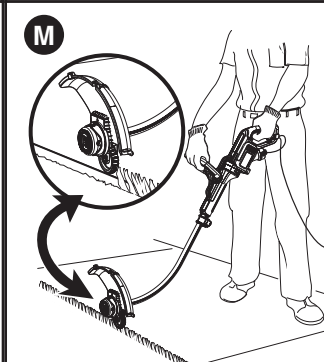
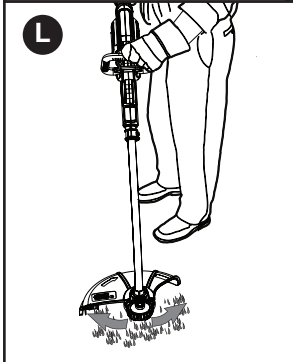
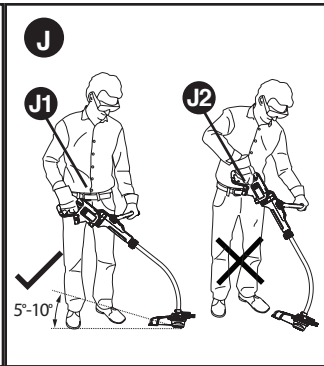
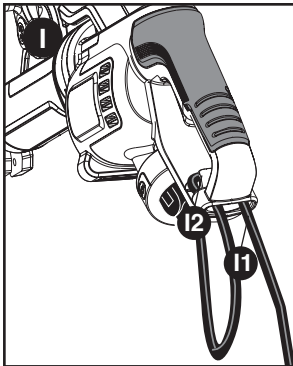
### **⚠ AVERTISSEMENTS DE SÉCURITÉ ET DIRECTIVES : RALLONGES ÉLECTRIQUES**

**⚠ AVERTISSEMENT :** Afin de réduire le risque de décharge électrique, utiliser cet appareil uniquement avec une rallonge destinée à une utilisation à l'extérieur, comme les rallonges SW-A, SOW-A, STW-A, STOW-A, SJW-A, SJOW-A, SJTW-A ou JTOW-A. S'assurer que la rallonge est en bon état. Lorsque qu'une rallonge électrique est utilisée, s'assurer d'en utiliser une de calibre suffisamment élevé pour assurer le transport du courant nécessaire au fonctionnement de votre appareil. Un cordon de calibre inférieur causera une

chute de tension de ligne et donc une perte de puissance et une surchauffe. Le tableau indique le calibre approprié à utiliser selon la longueur du cordon et l'intensité nominale de la plaque signalétique. En cas de doute, utiliser le calibre suivant le plus gros. Plus le numéro de calibre est petit, plus le cordon est lourd. Si la rallonge est utilisée à l'extérieur, elle doit être prévue à cet effet. Les lettres « WA » marquées sur l'enveloppe du cordon indiquent que le cordon convient à un usage extérieur.

| Minimum Gauge for Cord Sets |                                    |                      |                        |                         |
|-----------------------------|------------------------------------|----------------------|------------------------|-------------------------|
| Tension                     | Longueur totale du cordon en pieds |                      |                        |                         |
| 120V                        | 0-25<br>(0-7,6m)                   | 26-50<br>(7,6-15,2m) | 51-100<br>(15,2-30,4m) | 101-150<br>(30,4-45,7m) |
| Intensité (A)               | Calibre moyen des fils (AWG)       |                      |                        |                         |
| Au moins 6                  | Au plus 10                         | 18                   | 16                     | 14                      |





## DESCRIPTION FONCTIONNELLE (FIGURE A)

- |                                   |                                   |                           |
|-----------------------------------|-----------------------------------|---------------------------|
| 1. Détente de marche/arrêt        | 4. Poignée auxiliaire             | 7. Tête de coupe          |
| 2. Poignée                        | 5. Tendeur pour régler la hauteur | 8. Roue du guide de coupe |
| 3. Fiche du cordon d'alimentation | 6. Pare-main du taille-bordure    | 9. Boîtier de la bobine   |

## MONTAGE

OUTILS REQUIS POUR L'ASSEMBLAGE (NON FOURNIS) : Tournevis cruciforme

**⚠️ AVERTISSEMENT :** DEBRANCHER L'OUTIL AVANT D'INSTALLER LE PARE-MAIN.

### FIXATION DU PARE-MAIN (FIGURES B, C)

**⚠️ AVERTISSEMENT :** JAMAIS UTILISER L'OUTIL SANS LE PARE-MAIN SOLIDEMENT FIXÉ. Le

pare-main doit toujours être attaché correctement à l'outil pour protéger l'utilisateur.

- Retirer la vis du pare-main.
- Tout en maintenant le pare-main à l'équerre de la tête de coupe, le glisser en place de manière à entendre le déclic de la languette de retenue (s'assurer que les barres de guidage (B1) du pare-main (B2) sont bien alignées sur celles (B3) de la tête de coupe (B4) (figure B).
- Bien fixer le pare-main au moyen de la vis (C1) (figure C).

### FIXATION DE LA POIGNÉE AUXILIAIRE (FIGURES D, E)

- Pour fixer la poignée, enfoncer les boutons (D1) des deux côtés du boîtier supérieur comme le montre la figure D.
- Positionner la poignée comme le montre la figure E. Pousser partiellement la poignée afin que les boutons soient maintenus enfoncés au moment de les relâcher.
- Pousser la poignée complètement sur le boîtier et la positionner légèrement de manière à ce qu'elle « s'enclenche » en place (figure E).
- Pour régler la poignée vers le haut ou le bas, appuyer sur le bouton (F1), puis relever ou abaisser la poignée.
- Ajuster la poignée de façon à avoir le bras avant complètement droit lorsque le taille-bordure est en position de fonctionnement.

### REGLAGE DE LA HAUTEUR DE L'OUTIL (figure G)

Cet outil dispose d'un manche télescopique permettant de le régler à la hauteur qui vous convient le mieux. Pour régler la hauteur :

- Relâcher le tendeur pour régler la hauteur (G1).
- Monter ou descendre doucement le tube (G2) à la hauteur souhaitée.
- Fermer le tendeur pour régler la hauteur (G1).

## FONCTIONNEMENT

**⚠️ AVERTISSEMENT :** Toujours utiliser une protection oculaire appropriée conforme à la norme ANSI Z87.1 (CAN/CSA Z94.3) lors de l'utilisation de cet outil électrique.

**⚠️ AVERTISSEMENT :** Débrancher la fiche de la source d'alimentation avant de procéder au montage, d'effectuer des réglages ou de changer d'accessoire. Une telle mesure de sécurité préventive réduit le risque de mettre l'outil en marche accidentellement.

**⚠️ MISE EN GARDE :** Avant de procéder au taillage, s'assurer d'utiliser uniquement le type de fil de coupe adéquat.

**⚠️ MISE EN GARDE :** Inspecter la zone qui sera taillée et retirer tout morceau de fil métallique, de corde ou d'objets similaires qui pourraient s'enchevêtrer dans le fil rotatif ou avec la bobine. Être spécialement attentif et éviter, sur le parcours de l'outil, tout fil courbé vers l'extérieur comme les fils métalliques au pied d'une clôture à mailles losangées.

### MISE EN MARCHÉ ET ARRÊT (figure H)

**⚠️ AVERTISSEMENT :** Ne jamais tenter de verrouiller la détente en position de marche.

- Pour démarrer l'outil, presser la détente (H1).
- Pour l'éteindre, simplement la relâcher (H1).

### DISPOSITIF DE RETENUE DE LA RALLONGE (figure I)

**⚠️ AVERTISSEMENT :** S'assurer que la détente n'est pas engagée pour réduire le risque de mettre l'outil en marche accidentellement.

Un dispositif de retenue est intégré à l'outil, à l'arrière de la poignée sur le bloc-moteur.

- Pour utiliser le dispositif de retenue du cordon comme le montre la figure I, insérer la rallonge dans le boîtier du dispositif de retenue (11). Enrouler la rallonge autour du dispositif de retenue du cordon (12) de manière à ce qu'elle repose dans le dispositif de retenue. Brancher ensuite la rallonge au bloc-moteur.

## **FONCTIONNEMENT DU TAILLE-BORDURE (figures J, K)**

**⚠AVERTISSEMENT** : Débrancher la fiche du bloc d'alimentation avant de faire quelque ajustement que ce soit.

- Brancher la fiche du cordon d'alimentation dans une prise de courant, puis raccorder le cordon au taille-bordure.
- Maintenir un angle de coupe entre 5° et 10° comme le montre la figure J1. Ne pas excéder 10° (figure J2). Couper avec le bout du fil.
- Maintenir une distance minimale de 609,6 mm (24 po) entre le pare-main et les pieds, comme le montre la figure K. Pour obtenir cette distance, régler la hauteur globale du taille-bordure comme le montre la figure G.

## **CHOIX DU MODE DE TAILLAGE OU DE COUPE EN BORDURE (figures L, M)**

**⚠AVERTISSEMENT** : Débrancher la fiche de la source d'alimentation avant de procéder au montage, d'effectuer des réglages ou de changer d'accessoire. Une telle mesure de sécurité préventive réduit le risque de mettre l'outil en marche accidentellement.

- L'outil peut être utilisé pour le taillage comme le montre la figure L ou pour la coupe en bordure pour couper l'herbe haute sur les bords du parterre et le long des massifs de fleurs comme le montre la figure M.

### **MODE DE TAILLAGE**

**⚠MISE EN GARDE** : Le guide de coupe à roue doit être utilisé uniquement en mode de coupe en bordure.

Pour le taillage, la tête de coupe doit être dans la position indiquée à la figure L. Si ce n'est pas le cas :

- Débrancher la fiche de la source d'alimentation.
- Relâcher le tendeur pour régler la hauteur (G1).
- Tenez la tondeuse avec une main sur la poignée auxiliaire et une main sur le tube près de la tête de coupe. Puis tourner le tube et la tête vers la droite.
- Tout en tenant la poignée auxiliaire, tourner le tube et la tête dans le sens horaire.
- Fermer le tendeur pour régler la hauteur.
- Avec le moteur en marche, balancer lentement le taille-bordure d'un côté à l'autre comme le montre la figure L.

**REMARQUE** : Le tube et la tête pivotent dans un seul sens.

### **MODE DE COUPE EN BORDURE**

Pour la coupe en bordure, la tête de coupe doit se trouver dans la position indiquée par la figure M. Si ce n'est pas le cas :

- Débrancher la fiche de la source d'alimentation.
- Relâcher le tendeur pour régler la hauteur (G1).
- Tenez la tondeuse avec une main sur la poignée auxiliaire et une main sur le tube près de la tête de coupe. Puis tourner le tube et la tête dans le sens antihoraire.
- Tout en tenant la poignée auxiliaire, tourner le tube et la tête dans le sens antihoraire.
- Fermer le tendeur pour régler la hauteur.

**REMARQUE** : Le tube et la tête pivotent dans un seul sens.

**REMARQUE** : Le système d'alimentation automatique risque de mal fonctionner si le guide de coupe à roue n'est pas utilisé.

### **COUPE EN BORDURE**

Les meilleurs résultats de coupe sont obtenus sur des bords de plus de 50 mm (2 po) de profondeur.

- Ne pas utiliser l'outil pour créer des bordures ou des tranchées.
- Avec la roue de coupe en bordure, guider l'outil comme il est indiqué à la figure M.
- la Position. Bordure de roue sur le bord du trottoir ou la surface abrasive de la ligne de coupe est sur la zone de l'herbe ou de la saleté à être bordé

**REMARQUE :** Vous ferez l'expérience plus rapide que l'usure normale coupe la ligne si la roue bordure est placé trop loin du bord de la ligne de coupe positionné sur le trottoir ou une surface abrasive.

- Pour couper de plus près, incliner légèrement l'outil.

## **FIL DE COUPE/ALIMENTATION DU FIL**

**⚠ MISE EN GARDE :** S'assurer d'utiliser uniquement le type de fil de coupe adéquat. Utiliser la bobine de rechange modèle n° SF-080 de Black+Decker.

**REMARQUE :** UTILISER UNIQUEMENT UN FIL DE NYLON ROND (MONOFILAMENT) DE 2,0 mm (0,080 po) DE DIAMÈTRE. Ne pas utiliser de fil dentelé ou de plus gros calibre, car ces fils surchargeront le moteur et provoqueront une surchauffe.

Votre taille-bordure utilise un fil de nylon ROND de 2,0 mm (0,080 po) de diamètre. En cours d'utilisation, les extrémités des fils de nylon s'effilocheuront et s'useront. La bobine spéciale à alimentation automatique de fil fournira et coupera automatiquement une nouvelle longueur de fil. **NE PAS FRAPPER** l'appareil contre le sol pour faire sortir le fil ou pour toute autre raison.

Le fil tranchant s'usera et sera avancé plus rapidement si la coupe ou le taillage s'effectue le long de trottoirs ou d'autres surfaces abrasives ou si de mauvaises herbes touffues sont coupées.

## **DÉSOBSTRUCTION ET DÉSENCHÈVÈTÈREMENT DU FIL (figures N, O, P)**

**⚠ AVERTISSEMENT :** Débrancher la fiche de la source d'alimentation avant de procéder au montage, d'effectuer des réglages ou de changer d'accessoire. Une telle mesure de sécurité préventive réduit le risque de mettre l'outil en marche accidentellement. De temps en temps, particulièrement lors de la coupe de broussailles épaisses ou vertes, le moyeu d'alimentation de fil s'encrasse avec la sève ou une autre matière, et le fil se bloque. Pour désobstruer l'ensemble, suivre les étapes suivantes.

- Débrancher la fiche de la source d'alimentation.
- Appuyer sur les languettes de dégagement logées sur le couvercle de la bobine comme le montre la figure N, puis retirer directement le couvercle.
- Retirer la bobine de fil de nylon. Retirer tout morceau de fil brisé ou résidus de coupe de la zone de la bobine.
- Mettre la bobine et le fil en place dans le couvercle de la bobine. S'assurer que le fil est bien inséré dans les encoches prévues à cet effet, comme le montre la figure O1.
- Insérer l'extrémité du fil dans le trou approprié du couvercle de la bobine. Tirer sur les fils pour retirer le mou jusqu'à ce que ceux-ci sortent des encoches de retenue, comme l'indique la figure O2.
- Appuyer **DOUCEMENT** sur la bobine vers le bas et la tourner jusqu'à ce qu'elle se mette en position, puis l'enclencher. (Une fois en position, la bobine tournera librement de quelques degrés à gauche et à droite.)
- Faire attention à ce que le fil ne se prenne pas sous la bobine.
- Aligner les languettes du couvercle de la bobine sur les encoches du boîtier de la bobine (figure P).
- Enclencher de nouveau le couvercle comme il est montré à la figure P. Il suffit d'appuyer sur les pattes, puis d'enfoncer le couvercle dans le boîtier de la bobine.

**REMARQUE :** S'assurer que le couvercle est bien placé; deux déclics devraient se faire entendre, confirmant ainsi la bonne insertion des deux pattes. Mettre l'outil sous tension. Dans les quelques secondes suivantes, la coupe automatique du fil de nylon à la bonne longueur se fera entendre.

**REMARQUE :** D'autres pièces de rechange (pare-mains, couvercles de bobine, etc.) sont offertes aux centres de réparation Black+Decker. Pour trouver le centre de réparation local, composer le : 1 800 544-6986 ou consulter [www.blackanddecker.com](http://www.blackanddecker.com).

**⚠ AVERTISSEMENT :** L'utilisation de tout accessoire non recommandé par Black+Decker, avec cet outil, pourrait s'avérer dangereuse.

## **REEMPLACER LA BOBINE (figures N, O, P, Q)**

**⚠ AVERTISSEMENT :** Débrancher la fiche de la source d'alimentation avant de procéder au montage, d'effectuer des réglages ou de changer d'accessoire. Une telle mesure de sécurité préventive réduit le risque de mettre l'outil en marche accidentellement.

**⚠ MISE EN GARDE :** Pour éviter d'endommager l'outil, si le fil de coupe dépasse la lame de taillage, le couper de façon à ce qu'il atteigne seulement la lame.

- Enfoncez les languettes (O1) et retirez le couvercle de la bobine du boîtier de la bobine, logé dans la tête du taille-bordure (figure O).
- Tenir la bobine vide d'une main et le couvercle de l'autre, puis sortir la bobine en tirant dessus.
- Remplacer la bobine par une bobine Black+Decker, modèle SF-080.
- Retirer l'herbe et les saletés présentes dans la bobine et le couvercle.
- Si le levier (Q1) situé à la base du couvercle se détache, le remettre à la bonne position avant d'insérer une bobine neuve.
- Détacher l'extrémité du fil de coupe et le faire passer dans l'œillet (O2).
- Appuyer DOUCEMENT sur la bobine et la tourner jusqu'à ce qu'elle se mette en place. L'enfoncer ensuite pour l'enclencher en place. (Une fois en position, la bobine tournera librement de quelques degrés à gauche et à droite.)
- Faire attention à ce que le fil ne se prenne pas sous la bobine.
- Aligner les languettes du couvercle de la bobine sur les encoches du boîtier de la bobine (figure P).
- Enclencher de nouveau le couvercle comme il est montré à la figure P. Il suffit d'appuyer sur les pattes, puis d'enfoncer le couvercle dans le boîtier de la bobine.

**REMARQUE** : Le fil doit sortir d'environ 122 mm (4 13/16 po) du boîtier.

### **REBOBINAGE DE LA BOBINE (figures R, S)**

**⚠AVERTISSEMENT** : Débrancher la source d'alimentation avant de procéder au montage, d'effectuer des réglages ou de changer d'accessoire. Une telle mesure de sécurité préventive réduit le risque de mettre l'outil en marche accidentellement.

**REMARQUE** : UTILISER UNIQUEMENT UN FIL DE NYLON ROND (MONOFILAMENT) DE 2,0 mm (0,080 po) DE DIAMÈTRE. Ne pas utiliser de fil dentelé ou de plus gros calibre, car ces fils surchargeront le moteur et provoqueront une surchauffe.

**REMARQUE** : Le fil en vrac des bobines enroulées à la main est susceptible de s'enchevêtrer plus souvent que le fil des bobines enroulées dans une usine Black+Decker. Pour obtenir des résultats optimaux, il est recommandé d'utiliser des bobines embobinées à l'usine..

#### **Suivre les étapes suivantes pour rembobiner le fil :**

- Retirer la bobine vide de l'outil comme le décrit la section « REMPLACEMENT DE LA BOBINE ».
- Replier l'extrémité du fil de coupe d'environ 19 mm (3/4 po) (R1).
- Insérer le fil de coupe plié dans l'orifice du haut à l'intérieur de la bobine (R2), comme le montre la figure R3.
- Enrouler le fil de coupe sur la bobine dans le sens indiqué par la flèche inscrite sur la bobine. Prendre soin d'enrouler le fil de façon nette et ordonnée par couches successives. Ne pas croiser le fil (figure S).
- Couper le fil enroulé lorsqu'il atteint les encoches (R4) et accrocher le fil dans les fentes prévues à cet effet (R5).
- Ajuster le capuchon de la bobine sur l'outil comme le décrit la section « REMPLACEMENT DE LA BOBINE » (figures O, P).

## DÉPANNAGE

### Problème

- L'appareil refuse de démarrer.

### Cause possible

- Cordon d'alimentation non branché.
- Le fusible du circuit est grillé.
- Le disjoncteur est déclenché.
- Le cordon d'alimentation ou la prise de courant est endommagé(e).
- Bordure trop loin du bord des trottoirs ou des surfaces abrasives. La ligne de coupe est de frapper les

### Solution possible

- Brancher l'outil dans une prise qui fonctionne.
- Remplacer le fusible du circuit. (Si le produit fait griller de façon répétée le fusible du circuit, arrêter immédiatement d'utiliser le produit et le faire réparer dans un centre de réparation Black+Decker ou un centre de réparation autorisé.)
- Remettre le disjoncteur à zéro. (Si le produit fait déclencher de façon répétée le disjoncteur, arrêter immédiatement d'utiliser le produit et le faire réparer dans un centre de réparation Black+Decker ou un centre de réparation autorisé.)
- Faire remplacer le cordon ou l'interrupteur au centre de réparation Black+Decker ou à un centre de réparation autorisé.
- Assurer que la bordure se trouve sur le bord de la surface et la ligne de coupe est positionnée dans la zone de l'herbe ou de la saleté à être bordé pas trottoirs ou sur la surface abrasive.

- Ligne de coupe est consommé rapidement en mode bord. de

Pour obtenir de l'aide avec l'outil, consulter notre site Web [www.blackanddecker.com](http://www.blackanddecker.com) pour l'emplacement du centre de réparation le plus près ou communiquer avec l'assistance **Black+Decker** au **1-800-544-6986**.

## ENTRETIEN

**⚠ AVERTISSEMENT :** Pour éviter des blessures graves, éteindre et débrancher l'outil avant d'effectuer toute opération d'entretien.

**⚠ MISE EN GARDE :** Pour garantir la SÉCURITÉ et la FIABILITÉ du produit, les réparations, l'entretien et le réglage doivent être réalisés par un centre de réparation autorisé ou tout autre centre de réparation professionnel, et des pièces de rechange identiques doivent être utilisées.

1. Maintenir les orifices de ventilation dégagés pour éviter la surchauffe.
2. Votre fil rotatif peut sécher avec le temps. Pour tenir votre fil en excellente condition, entreposer les bobines de rechange de fil pré-enroulé ou le fil en vrac dans un sac en plastique scellé contenant l'équivalent d'une cuillerée d'eau.
3. Les pièces en plastique se nettoient avec un savon doux et un chiffon humide.
4. Le coupe-fil sur le bord du dispositif de protection peut s'émousser avec le temps. Il est recommandé de s'assurer régulièrement que la lame est bien tranchante en utilisant une lime.

## INFORMATION SUR LES RÉPARATIONS

Tous les centres de réparation Black+Decker sont dotés de personnel qualifié en matière d'outillage électrique; ils sont donc en mesure d'offrir à leur clientèle un service efficace et fiable. Que ce soit pour un avis technique, une réparation ou des pièces de rechange authentiques installées en usine, communiquer avec l'établissement Black+Decker le plus près de chez vous. Pour trouver l'établissement de réparation de votre région, consulter le répertoire des Pages jaunes à la rubrique « Outils électriques » ou composer le numéro suivant : 1-800-544-6986 ou consulter le site [www.blackanddecker.com](http://www.blackanddecker.com). Cet appareil numérique de la classe B est conforme à la norme NMB-003 du Canada.



Cet appareil est conforme aux dispositions du paragraphe 15 des règlements de la FCC. Son fonctionnement est régi par les deux conditions suivantes : (1) Cet appareil ne peut pas causer d'interférence nuisible et (2) cet appareil doit accepter toutes les interférences reçues, y compris celles qui risquent d'en gêner le fonctionnement.

**REMARQUE** : ce matériel a été testé et a été déclaré conforme aux limites en vigueur concernant les dispositifs numériques de classe B, en vertu de la partie 15 de la réglementation FCC. Ces limites visent à assurer une protection raisonnable contre tout brouillage nuisible dans une installation résidentielle. Ce matériel produit, consomme et peut émettre une énergie de radiofréquence et, s'il n'est pas installé et utilisé conformément aux directives qui l'accompagnent, il peut entraîner un brouillage nuisible des communications radio. Cependant, nous ne garantissons pas l'absence de brouillage dans tous les types d'environnement. Si, après avoir effectué une vérification en mettant l'appareil hors tension puis sous tension, l'utilisateur s'aperçoit que ce matériel provoque un brouillage nuisible à la réception des signaux de radio ou de télévision, il lui faudra essayer de corriger ce brouillage en prenant une ou plusieurs des mesures ci-dessous :

- Réorienter ou repositionner l'antenne de réception.
- Éloigner le plus possible le matériel du récepteur.
- Brancher le matériel dans une prise électrique située sur un circuit différent de celui du récepteur.
- Consulter le distributeur ou un technicien radio/télévision expérimenté pour obtenir de l'aide.

Tout changement ou toute modification à cet appareil qui n'est pas expressément approuvé par l'institution responsable de la conformité peut faire annuler le droit de l'utilisateur d'utiliser ce matériel. Cet appareil numérique de la classe B est conforme à la norme NMB-003 du Canada.

## **GARANTIE LIMITÉE DE DEUX ANS**

Black+Decker (É.-U.) Inc. garantit que le produit est exempt de défauts de matériau et de fabrication pendant deux(2) ans à partir de la date d'achat, à condition que le produit soit utilisé en milieu domestique. La présente garantie limitée ne couvre pas les défaillances provoquées par un abus, un dommage accidentel ou des réparations ou tentatives de réparations effectuées par toute autre personne que le personnel de Black+Decker et de ses centres de réparation agréés. Un produit défectueux qui remplit les conditions stipulées par la présente garantie sera remplacé ou réparé sans frais d'une des deux façons suivantes : La première façon consiste en un échange chez le détaillant où le produit a été acheté (à la condition que le magasin soit un détaillant participant). Tout retour doit se faire durant la période correspondant à la politique d'échange du détaillant. Une preuve d'achat peut être requise. Prière de vérifier la politique de retour du détaillant au sujet des délais impartis pour les retours ou les échanges.

La deuxième option est d'apporter ou d'envoyer le produit (en port payé) à un centre de réparation agréé ou à un centre de réparation Black+Decker pour faire réparer ou échanger le produit, à la discrétion de Black+Decker. Une preuve d'achat peut être requise. Les centres de réparation de Black+Decker et les centres de réparation agréés sont répertoriés dans les pages jaunes sous la rubrique « Outils électriques » de l'annuaire téléphonique ou en ligne sur [www.blackanddecker.com](http://www.blackanddecker.com).

Cette garantie ne s'applique pas aux accessoires. Cette garantie accorde des droits légaux propres au propriétaire de l'outil. Ce dernier pourrait avoir d'autres droits selon l'État ou la province qu'il habite. Pour toute question, communiquer avec le directeur du centre de réparation Black+Decker le plus près. Ce produit n'est pas destiné à un usage commercial. L'usage commercial de ce produit annule par conséquent cette garantie. Toutes autres garanties, expresses ou implicites, sont déclinées par la présente.

Imported by / Importé par  
Black+Decker Canada Inc.  
100 Central Ave.  
Brockville (Ontario) K6V 5W6



# BLACK+ DECKER™

## DE PODADORA / BORDEADORA

MANUAL DE INSTRUCCIONES  
CATALOG NUMBER  
GH3000



### INFORMACION CLAVE QUE DEBE SABER:

- El protector debe instalarse antes de podar o bordear. De lo contrario, el motor se sobrecalentará.
- Al reemplazar la cuerda, utilice sólo una cuerda REDONDA de 1,7 mm (0,065 pulgada) de diámetro (Se recomienda el modelo N° AF-100 de B&D). De lo contrario, la unidad no funcionará correctamente.
- No golpee el cabezal de alimentación contra el piso. Esto interrumpirá el mecanismo de alimentación.

### GRACIAS POR ELEGIR BLACK+DECKER!

### LEA EL MANUAL ANTES DE DEVOLVER ESTE PRODUCTO POR CUALQUIER MOTIVO:

Si tiene una consulta o algún inconveniente con su producto Black+Decker, visite <http://www.blackanddecker.com/instantanswers> para obtener respuestas instantáneas las 24 horas del día. Si no encuentra la respuesta o no tiene acceso a Internet, llame al 1-800-544-6986 de lunes a viernes de 8 a. m. a 5 p. m. hora del Este para hablar con un agente. Cuando llame, tenga a mano el número de catálogo.

### CONSERVE ESTE MANUAL PARA FUTURAS CONSULTAS. SÓLO PARA USO DOMÉSTICO.

Visite [www.BlackandDecker.com/NewOwner](http://www.BlackandDecker.com/NewOwner)  
para registrar su nuevo producto.

## PAUTAS DE SEGURIDAD/DEFINICIONES

Es importante que lea y comprenda este manual. La información que contiene se relaciona con la protección de SU SEGURIDAD y la PREVENCIÓN DE PROBLEMAS. Los símbolos que siguen se utilizan para ayudarlo a reconocer esta información.

**⚠ PELIGRO:** indica una situación de peligro inminente que, si no se evita, provocará la muerte o lesiones graves.

**⚠ ADVERTENCIA:** indica una situación de peligro potencial que, si no se evita, provocará la muerte o lesiones graves.

**⚠ PRECAUCIÓN:** indica una situación de peligro potencial que, si no se evita, provocará lesiones leves o moderadas.

**AVISO:** utilizado sin el símbolo de alerta de seguridad indica una situación de peligro potencial que, si no se evita, puede provocar daños en la propiedad.

## ADVERTENCIAS E INSTRUCCIONES IMPORTANTES SOBRE SEGURIDAD

**⚠ ADVERTENCIA:** Al utilizar herramientas eléctricas para el jardín, siempre se deben tomar ciertas precauciones básicas de seguridad para minimizar el riesgo de incendio, descarga eléctrica y lesiones personales, entre ellas:

### Lea todas las instrucciones

- **SIEMPRE UTILICE PROTECCIÓN PARA LOS OJOS:** utilice gafas o anteojos de seguridad en todo momento que esta herramienta esté enchufada.
- **PROTECTOR:** nunca utilice esta herramienta sin el protector.
- **UTILICE LA VESTIMENTA ADECUADA:** no utilice ropa holgada ni joyas. Pueden atascarse en las piezas móviles. Se recomienda utilizar guantes de goma y calzado con una suela de goma considerable al trabajar al aire libre. No opere la herramienta descalzo ni con sandalias abiertas. Utilice pantalones largos para protegerse las piernas. Recójase y cubra el cabello largo.
- **CUERDA DE NYLON:** mantenga la cara, las manos y los pies lejos de la cuerda de nylon giratoria en todo momento.
- **LA CUERDA GIRATORIA REALIZA UNA FUNCIÓN DE CORTE:** tenga precaución al podar alrededor de pantallas y plantas que desea.
- **MANTENGA ALEJADOS A TODOS LOS ESPECTADORES:** a una distancia segura, especialmente a los niños.
- **ADVERTENCIA IMPORTANTE:** al utilizar la herramienta como Bordeadora, las piedras, las piezas de metal y otros objetos pueden ser arrojados a alta velocidad por la acción de la cuerda. La herramienta y el protector están diseñados para reducir el peligro. No obstante, se deben tener en cuenta las siguientes precauciones especiales:
- **ASEGÚRESE** de que las demás personas y mascotas estén a no menos de 30 m (100 pies) de distancia.
- **PARA REDUCIR EL RIESGO** de lesiones por repercusión (rebote), trabaje lejos de cualquier objeto sólido cercano, como pared, escalones, piedras grandes, árboles, etc. Tenga suma precaución al trabajar cerca de objetos sólidos y, cuando sea necesario, pade o recorte los bordes en forma manual.
- **EVITE EL ARRANQUE ACCIDENTAL:** nunca transporte la herramienta enchufada con el dedo en el interruptor.
- **NO FUERCE LA HERRAMIENTA:** a una velocidad más rápida de la velocidad para la que fue diseñada para cortar en forma eficaz.
- **UTILICE LA HERRAMIENTA ADECUADA:** no utilice esta herramienta para un trabajo diferente a aquéllos para los que fue diseñada.
- **NO SE ESTIRE:** conserve el equilibrio adecuado y manténgase parado correctamente en todo momento.
- **SE DEBE CONTAR CON LA PROTECCIÓN DE UN INTERRUPTOR DE CORTE POR FALLA A TIERRA (GFCI,** por sus siglas en inglés) en el o los circuitos o tomacorrientes que se utilizarán para el aparato. Existen receptáculos disponibles con protección GFCI incorporada y pueden utilizarse para esta medida de seguridad.
- **NO MALTRATE EL CABLE:** nunca transporte el aparato sosteniéndolo por el cable ni tire de éste para desconectarlo del receptáculo. Mantenga el cable alejado del calor, el aceite y los bordes afilados.

- **PIEZAS DE REPUESTO:** al realizar el mantenimiento, utilice únicamente piezas de repuesto idénticas.
- **DAÑO A LA UNIDAD:** si golpea la herramienta o ésta se atasca con un objeto extraño, deténgala de inmediato, desenchúfela, verifique que no se haya dañado y repare cualquier daño antes de seguir utilizándola. No opere la herramienta si la bobina o el carrete están dañados.
- **DESCONECTE LA HERRAMIENTA:** cuando no la utilice, al reemplazar la cuerda o antes de limpiarla.
- **EVITE LAS CONDICIONES AMBIENTALES PELIGROSAS:** no utilice herramientas eléctricas en lugares húmedos o mojados. Siga todas las instrucciones incluidas en este Manual de instrucciones para una operación adecuada de la herramienta. No utilice la herramienta bajo la lluvia.
- **NO OPERE** herramientas eléctricas portátiles en atmósferas gaseosas o explosivas. Los motores de estas herramientas normalmente chispean, y las chispas pueden encender los vapores.
- **GUARDE LAS HERRAMIENTAS QUE NO SE UTILICEN EN EL INTERIOR:** cuando no las utilice, las herramientas deben guardarse en un lugar seco, alto o bajo llave, fuera del alcance de los niños.
- **MANTÉNGASE ALERTA:** No haga funcionar esta unidad si está cansado, enfermo o bajo la influencia del alcohol, drogas o medicamentos.
- **CONSERVE LAS HERRAMIENTAS ADECUADAMENTE:** siga las instrucciones en la sección de mantenimiento. Mantenga los mangos secos, limpios y libres de aceite y grasas.
- **VERIFIQUE LAS PIEZAS AVERIADAS:** antes de volver a utilizar la herramienta, se debe controlar cualquier protección u otra pieza que esté averiada para determinar si funcionará correctamente y realizará la función para la que fue diseñada. Verifique la alineación y la sujeción de las piezas móviles, la rotura de piezas, el montaje y cualquier otra condición que pueda afectar el funcionamiento. Cualquier protección u otra pieza que esté dañada debe ser reparada correctamente o reemplazada por un centro de mantenimiento autorizado, a menos que este manual indique otra cosa.
  - NO sumerja la herramienta en agua ni la salpique con una manguera. NO permita que ningún líquido entre en ella.
  - NO guarde la herramienta sobre o cerca de fertilizantes o productos químicos.
  - NO limpie con una lavadora a presión.
  - Mantenga los protectores instalados adecuadamente y en funcionamiento.
  - Mantenga las manos y los pies alejados del área de corte.

**⚠ ADVERTENCIA:** No utilice la herramienta si el gatillo interruptor no enciende o apaga la herramienta. Toda herramienta que no pueda controlarse mediante el gatillo interruptor es peligrosa y debe repararse.

## CONSERVE ESTAS INSTRUCCIONES

### Simbolos

La etiqueta de su herramienta puede incluir los siguientes símbolos.

- |  |  |
|--|--|
| V..... voltios   | A..... amperios                          |
| Hz..... hertz  | W..... vatios                            |
| min..... minutos   | ~ o AC..... corriente alterna            |
| == o DC.. corriente directa                                | n <sub>o</sub> ..... velocidad sin carga |
| □..... Construcción Class II                               | ⊕..... terminal a tierra                 |
| ⚠..... símbolo de alerta de seguridad                      | .../min..... revoluciones por minuto     |
| 📖..... Lea el manual de instrucciones antes del uso        |  |
| 👤..... Use protección adecuada para las vías respiratorias |  |
| 👁..... Use protección adecuada para los ojos               |  |
| 👂..... Use protección adecuada para los oídos              |  |

**⚠ ADVERTENCIA:** Parte del polvo generado por este producto contiene sustancias químicas reconocidas por el Estado de California como causantes de cáncer, defectos congénitos u otros problemas reproductivos. Algunos ejemplos de estas sustancias químicas:

- compuestos en los fertilizantes
- compuestos en los insecticidas, herbicidas y pesticidas
- arsénico y cromo de la madera con tratamiento químico

Para reducir su exposición a estas sustancias químicas, utilice el equipo de seguridad aprobado, como máscaras para polvo especialmente diseñadas para filtrar partículas microscópicas.

**⚠️ ADVERTENCIA:** Al realizar el mantenimiento de las herramientas con doble aislamiento, UTILICE SÓLO PIEZAS DE REPUESTO IDÉNTICAS. Repare o reemplace los cables dañados.

**⚠️ ADVERTENCIA:** Para evitar el riesgo de descargas eléctricas, sólo utilice con un cable de prolongación adecuado para uso en exteriores. Siempre conecte los cables prolongadores a una línea con fusible o a una protegida por un interruptor de circuitos.

**⚠️ ADVERTENCIA: ADICIONALES PARA PODADORES DE CADENA**

1. Mantenga limpias las ranuras de admisión de aire (Figura H2) para evitar el sobrecalentamiento.
2. La cuerda de la podadora puede secarse con el tiempo. Para conservar la cuerda en óptimas condiciones, guarde los carretes pre-enrollados de repuesto o la cuerda en paquete en una bolsa sellada de plástico con una cucharada de agua.
3. Las piezas de plástico pueden limpiarse utilizando jabón suave y un paño húmedo.
4. NO sumerja la herramienta en agua ni la salpique con una manguera. NO permita que ningún líquido entre en ella.
5. No guarde la herramienta sobre o cerca de fertilizantes o productos químicos.
6. NO limpie con una lavadora a presión.
7. La cortadora de cuerda en el extremo del protector puede desafilarse con el tiempo.

**INSTRUCCIONES Y ADVERTENCIAS DE SEGURIDAD: ENCHUFES POLARIZADOS**

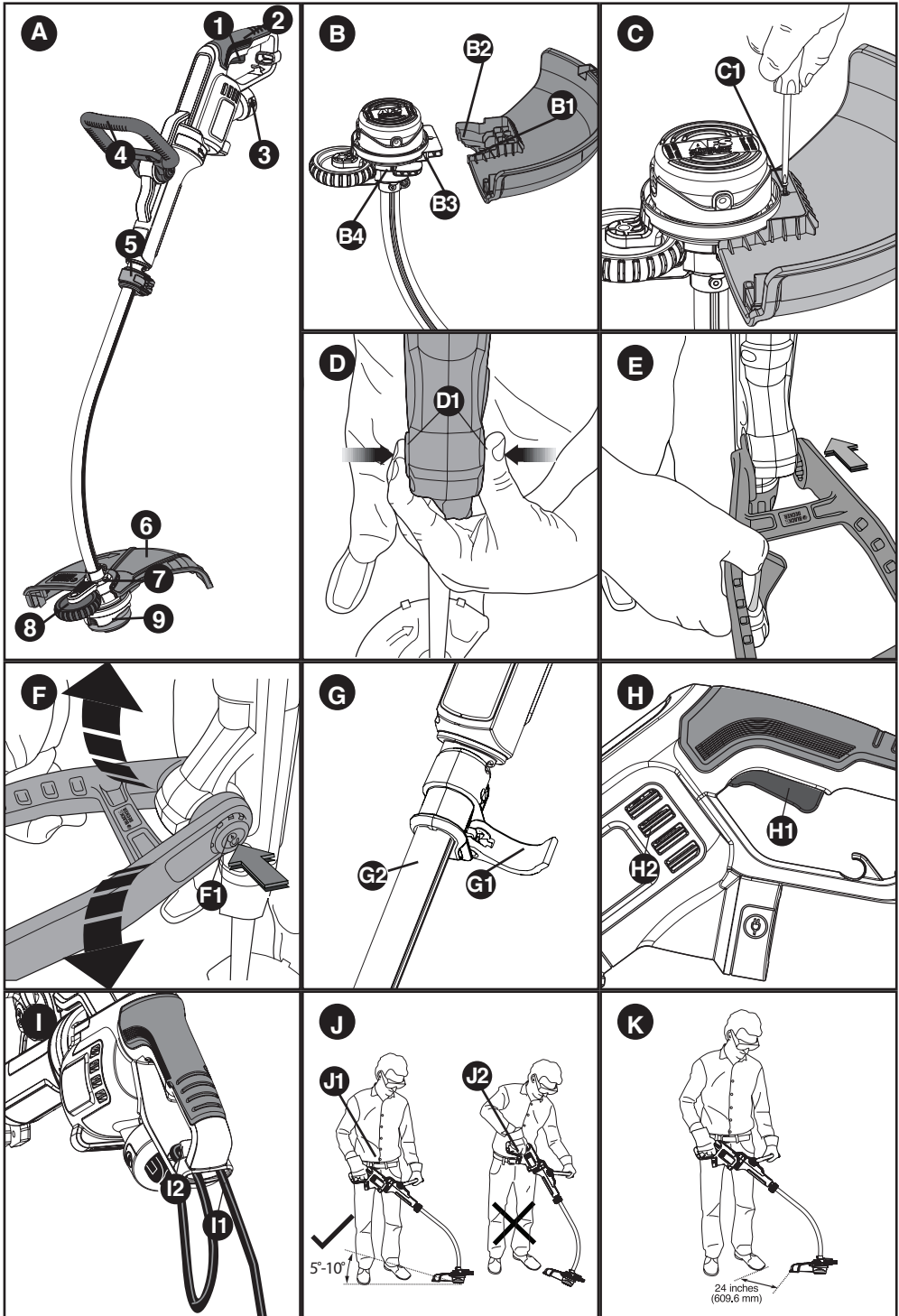
Para disminuir el riesgo de descargas eléctricas, este equipo posee un enchufe polarizado (una pata es más ancha que la otra) y requerirá el uso de un cable prolongador polarizado. El enchufe de la herramienta se ajustará en un cable prolongador polarizado de una sola manera. Si el cable prolongador no se ajusta totalmente en el tomacorriente, invierta el enchufe. Si aún así no se ajusta, obtenga un cable prolongador polarizado adecuado. Un cable prolongador polarizado requerirá el uso de un tomacorriente de pared polarizado. Este enchufe se ajustará en un tomacorriente de pared polarizado de una sola manera. Si el enchufe no se ajusta totalmente en el tomacorriente de pared, invierta el enchufe. Si aún así no se ajusta bien, recurra a un electricista calificado para que instale un tomacorriente de pared adecuado. No cambie el enchufe del equipo, el tomacorriente del cable prolongador ni el enchufe del cable prolongador de ninguna manera.

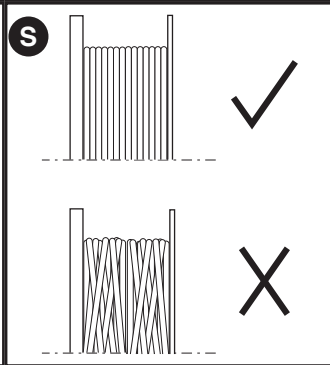
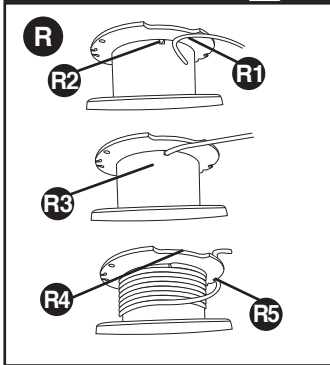
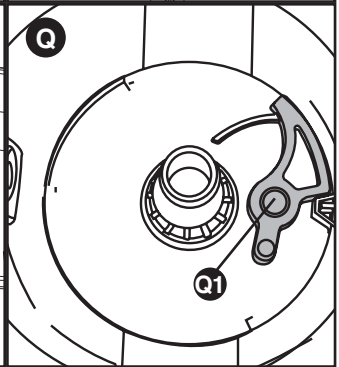
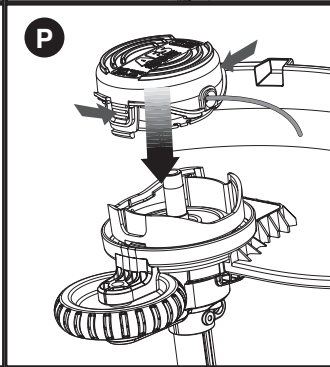
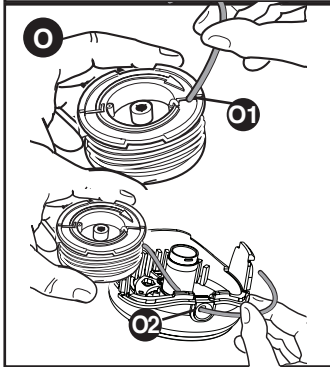
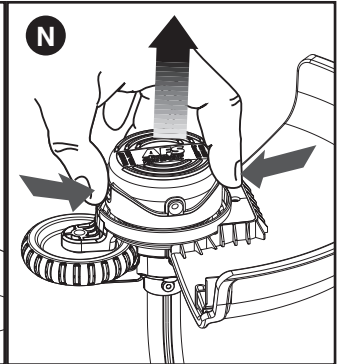
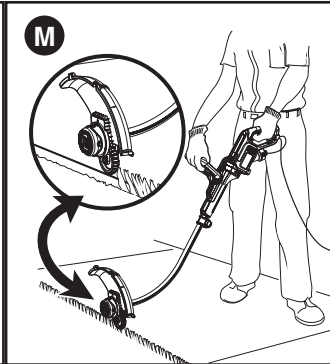
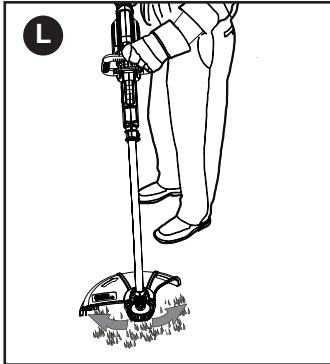
**INSTRUCCIONES Y ADVERTENCIAS DE SEGURIDAD: CABLES PROLONGADORES**

**⚠️ ADVERTENCIA:** Para reducir el riesgo de descarga eléctrica, utilice únicamente un cable prolongador para uso en exteriores, como los del tipo SW-A, SOW-A, STW-A, STOW-A, SJW-A, SJOW-A, SJTW-A o SJTOW-A.

Asegúrese de que el cable prolongador esté en buenas condiciones. Cuando utilice un cable prolongador, asegúrese de que tenga la capacidad para conducir la corriente que su producto exige. Un cable de menor capacidad provocará una disminución en el voltaje de la línea que producirá pérdida de potencia y sobrecalentamiento. La tabla muestra la medida correcta que debe utilizar según la longitud del cable y la capacidad nominal en amperios indicada en la placa. En caso de duda, utilice el calibre inmediatamente superior. Cuanto menor sea el número de calibre, más grueso será el cable. Si se utilizará el cable prolongador en el exterior, éste debe ser el adecuado para trabajos al aire libre. Las letras "WA" en la cubierta del cable indican que el cable es apropiado para uso en el exterior.

| Calibre mínimo para cables de extensión |                                  |             |              |              |    |
|---|----------------------------------|-------------|--------------|--------------|----|
| Volts                                   | Longitud total del cable en pies |             |              |              |    |
| 120V                                    | 0-25                             | 26-50       | 51-100       | 101-150      |    |
|   | (0-7,6m)                         | (7,6-15,2m) | (15,2-30,4m) | (30,4-45,7m) |    |
| Amperaje                                |                                  | AWG         |              |              |    |
| Más de                                  | No más de                        |             |              |              |    |
| 6                                       | - 10                             | 18          | 16           | 14           | 12 |





## CONSERVE ESTAS INSTRUCCIONES

### DESCRIPCIÓN DE LAS FUNCIONES (FIGURA A)

1. Interruptor de gatillo de encendido/apagado
2. Mango
3. Enchufe de cable de alimentación
4. Mango auxiliar
5. Abrazadera de bloqueo de ajuste de altura
6. Protector de la podadora
7. Cabezal de la podadora
8. Rueda de guía de borde
9. Cubierta del carrete

### ENSAMBLAJE

#### HERRAMIENTAS NECESARIAS PARA EL ENSAMBLAJE (NO SUMINISTRADAS):

Destornillador Phillips

**⚠️ ADVERTENCIA:** ANTES DE INTENTAR INSTALAR EL PROTECTOR, ESENCHUFE LA HERRAMIENTA.

#### INSTALACIÓN DEL PROTECTOR (FIGURAS B Y C)

**⚠️ ADVERTENCIA:** NUNCA USE LA HERRAMIENTA SIN EL PROTECTOR INSTALADO FIRMEMENTE. El protector siempre debe estar correctamente instalado en la herramienta para proteger al usuario.

- Quite el tornillo del protector.
- Mientras mantiene el protector alineado con el cabezal de la podadora, deslícelo a su posición hasta que la lengüeta de retención encaje en su lugar y se escuche un clic (asegúrese de que los rieles guía (B1) del protector (B2) estén correctamente alineados con los rieles guía (B3) del cabezal de la podadora (B4) (Figura B).
- Fije el protector con el tornillo (C1) (Figura C).

#### INSTALACIÓN DEL MANGO AUXILIAR (FIGURAS D Y E)

- Para instalar el mango, oprima los botones (D1) a ambos lados de la carcasa superior como se muestra en la Figura D.
- Coloque el mango como se muestra en la Figura E. Empuje el mango parcialmente en su lugar de manera que retenga los botones cuando los suelte con su mano.
- Empuje el mango por completo sobre la carcasa y muévalo levemente hasta que encaje en su lugar produciendo un chasquido (Figura E).
- Para ajustar el mango hacia arriba o hacia abajo, oprima el botón (F1) y suba o baje el mango.
- El mango debe ajustarse de manera que su brazo delantero esté recto cuando la podadora esté en posición de trabajo.

#### AJUSTE DE LA ALTURA DE LA HERRAMIENTA (FIGURA G)

Esta herramienta posee un mecanismo telescópico, que le permite configurarla a una altura cómoda. Para ajustar la configuración de altura:

- Suelte la abrazadera de bloqueo de ajuste de altura (G1).
- Tire con delicadeza del tubo (G2) hacia arriba o hacia abajo hasta alcanzar la altura deseada.
- Cierre la abrazadera de bloqueo de ajuste de altura (G1).

#### FUNCIONAMIENTO

**⚠️ ADVERTENCIA:** Siempre use protección adecuada para los ojos que cumpla con la norma ANSI Z87.1 (CAN/CSA Z94.3) mientras utiliza esta herramienta eléctrica.

**⚠️ ADVERTENCIA:** Antes de realizar cualquier ensamblaje, ajuste o cambio de accesorios, desconecte el enchufe de la fuente de alimentación. Dichas medidas de seguridad preventiva reducen el riesgo de encender la herramienta en forma accidentada.

**⚠️ PRECAUCIÓN:** Antes de comenzar a podar, asegúrese de utilizar únicamente el tipo adecuado de cuerda de corte.

**⚠️ PRECAUCIÓN:** Inspeccione el área que va a podar y quite todo alambre, cable u otro objeto similar a un cordel, que pueda enredarse en la cuerda o el carrete giratorios. Tenga especial cuidado a fin de evitar todo cable que podría estar doblado hacia afuera en el trayecto de la herramienta, como las puntas de alambre en la base de una valla de tela metálica.

#### ENCENDIDO Y APAGADO (FIGURA H)

**⚠️ ADVERTENCIA:** Nunca intente bloquear el interruptor de gatillo en la posición de encendido.

- Para encender la herramienta, oprima el interruptor de gatillo (H1)
- Para apagar la herramienta, suelte el interruptor de gatillo (H1).



## RETENEDOR PARA CABLE PROLONGADOR (FIGURA I)

**⚠️ ADVERTENCIA:** Asegúrese de que el interruptor de gatillo no esté accionado para reducir el riesgo de encender la herramienta accidentalmente.

La parte posterior del mango en la unidad motriz tiene incorporado un retenedor para cable.

- Para utilizar el retenedor para cable como se muestra en la Figura I, inserte el cable prolongador en el alojamiento del retenedor para cable (I1). Forme un lazo con el cable prolongador alrededor del retenedor para cable (I2) de manera que se apoye en este. Luego, enchufe el cable prolongador en la unidad motriz.

## FUNCIONAMIENTO DE LA PODADORA (FIGURAS J Y K)

**⚠️ ADVERTENCIA:** Antes de realizar cualquier ajuste, desconecte el enchufe de la fuente de alimentación.

- Conecte el enchufe del cable de alimentación en un tomacorriente y luego conecte el cable de alimentación a la podadora.
- Mantenga un ángulo de corte de 5 a 10 grados como se muestra en la Figura J1. No exceda los 10 grados (Figura J2). Corte con la punta de la cuerda.
- Mantenga una distancia mínima de 609,6 mm (24 pulgadas) entre el protector y sus pies como se muestra en la Figura K. Para lograr esta distancia, ajuste la altura total de la podadora como se muestra en la Figura G.

## ELECCIÓN DEL MODO DE PODA O BORDEADO (FIGURAS L Y M)

**⚠️ ADVERTENCIA:** Antes de realizar cualquier ensamblaje, ajuste o cambio de accesorios, desconecte el enchufe de la fuente de alimentación. Dichas medidas de seguridad preventiva reducen el riesgo de encender la herramienta en forma accidental.

- La herramienta se puede utilizar en modo de poda como se muestra en la Figura L o en modo de bordeado para cortar césped que sobresale a lo largo de los bordes del césped y de canteros como se muestra en la Figura M.

## MODO DE PODA

**⚠️ PRECAUCIÓN:** La guía de borde con rueda debe utilizarse únicamente cuando está en modo de bordeado.

Para podar, el cabezal de la podadora debe estar en la posición que se muestra en la Figura L. Si no es así:

- Desconecte el enchufe de la fuente de alimentación.
- Suelte la abrazadera de bloqueo de ajuste de altura (G1).
- Sujete la recortadora con una mano en el mango auxiliar y una mano en el tubo cerca de la cabeza de corte. A continuación, gire el tubo y la cabeza hacia la derecha.
- Mientras sostiene el mango auxiliar, gire el tubo y el cabezal en sentido de las agujas del reloj.
- Cierre la abrazadera de bloqueo de ajuste de altura.
- Con la unidad encendida, mueva lentamente la podadora de un lado al otro como se muestra en la Figura L.

**AVISO:** El tubo y el cabezal girarán únicamente en una dirección.

## MODO DE BORDEADO

Para bordear, el cabezal de la podadora debe estar en la posición que se muestra en la Figura M. Si no es así:

- Desconecte el enchufe de la fuente de alimentación.
- Suelte la abrazadera de bloqueo de ajuste de altura (G1).
- Sujete la recortadora con una mano en el mango auxiliar y una mano en el tubo cerca de la cabeza de corte. A continuación, gire el tubo y la cabeza hacia la izquierda.
- Mientras sostiene el mango auxiliar, gire el tubo y el cabezal en sentido contrario a las agujas del reloj.
- Cierre la abrazadera de bloqueo de ajuste de altura.

**AVISO:** El tubo y el cabezal girarán únicamente en una dirección.

**AVISO:** Es posible que el sistema de avance automático no funcione correctamente si no se utiliza la guía de borde con rueda.

## BORDEADO

Los resultados óptimos de corte se obtienen en bordes de más de 50 mm (2 pulgadas) de profundidad.

- No utilice esta herramienta para crear bordes o zanjas.
- Utilizando la rueda de bordeado, guíe la herramienta como se muestra en la Figura M.
- Coloque el Borde de la rueda en el borde de la acera o superficie abrasiva para que la línea de corte esté sobre el área de césped o tierra que se superó

**AVISO:** Usted experimentará más rápido que el desgaste normal de la línea de corte si la rueda de borde se encuentra demasiado lejos del borde de la línea de corte colocado sobre la acera o superficie abrasiva.

- Para hacer un corte más al ras, incline levemente la herramienta.

## CUERDA DE CORTE/ALIMENTACIÓN DE LA CUERDA

**⚠ PRECAUCIÓN:** Asegúrese de utilizar únicamente el tipo adecuado de cuerda de corte. Utilice el carrete de repuesto de Black+Decker modelo N° SF-080.

**NOTE:** UTILICE ÚNICAMENTE CUERDA DE MONOFILAMENTO REDONDO DE NYLON DE 2,0 mm (0,080 pulgadas) DE DIÁMETRO. No utilice cuerdas dentadas o de mayor calibre ya que sobrecargarán el motor y provocarán sobrecalentamiento.

Su podadora utiliza una cuerda de nailon REDONDA de 2,0 mm (0,080 pulgadas) de diámetro. Durante el uso, las puntas de las cuerdas de nailon se deshilarán y desgastarán, y el carrete especial de autoalimentación alimentará y recortará automáticamente un nuevo trozo de cuerda. NO GOLPEE la unidad contra el suelo en un intento para alimentar la cuerda ni para ningún otro propósito. La cuerda de corte se desgastará más rápido y necesitará más alimentación si el corte o el bordeado se realizan a lo largo de aceras u otras superficies abrasivas, o si se cortan malezas más frondosas.

## ELIMINACIÓN DE ATASCOS Y CUERDAS ENREDADAS (FIGURAS N, O Y P)

**⚠ ADVERTENCIA:** Antes de realizar cualquier ensamblaje, ajuste o cambio de accesorios, desconecte el enchufe de la fuente de alimentación. Dichas medidas de seguridad preventiva reducen el riesgo de encender la herramienta en forma accidental.

Cada cierto tiempo, especialmente al cortar malezas frondosas o con mucho tallo, el cubo de alimentación de la cuerda puede obstruirse con savia u otro material y como resultado la cuerda se atascará. Para eliminar el atasco, siga los pasos indicados a continuación..

- Desconecte el enchufe de la fuente de alimentación.
- Oprima las lengüetas de liberación de la tapa del carrete de la cuerda como se muestra en la Figura N y quite la tapa tirando de esta en línea recta.
- Saque el carrete de la cuerda de nailon y elimine toda cuerda rota o residuos de corte del área del carrete.
- Coloque el carrete y la cuerda en la tapa del carrete con la cuerda inserta dentro de las ranuras provistas como se muestra en la Figura O1.
- Inserte el extremo de la cuerda a través del orificio correspondiente en la tapa del carrete. Tire de la cuerda sobrante hasta que esta salga por las ranuras de retención como se muestra en la Figura O2.
- Empuje el carrete CON DELICADEZA hacia abajo y gírelo hasta que sienta que encaja en su lugar y luego presiónelo para asegurarlo hasta que se produzca un chasquido. (Una vez asegurado, el carrete girará libremente algunos grados a la izquierda y a la derecha).
- Tenga cuidado para evitar que la cuerda quede atrapada bajo el carrete.
- Alinee las lengüetas de la tapa del carrete con las ranuras en la cubierta del carrete (Figura P).
- Vuelva a encajar la tapa del carrete hasta que produzca un chasquido como se muestra en la Figura P oprimiendo las lengüetas de esta y empujándola dentro de la cubierta del carrete.

**AVISO:** Asegúrese de que la tapa esté bien colocada y se escuchen dos clics para asegurarse de que ambas lengüetas estén correctamente ubicadas. Encienda la herramienta. En unos segundos o menos, escuchará cómo la cuerda de nailon se corta automáticamente a la longitud adecuada.

**AVISO:** Otras piezas de repuesto (protectores, tapas de carrete, etc.) están disponibles en los centros de mantenimiento de Black+Decker. Para encontrar su centro de mantenimiento local llame al: 1-800-544-6986 o visite [www.blackanddecker.com](http://www.blackanddecker.com).

**⚠ ADVERTENCIA:** El uso de accesorios no recomendados por Black+Decker para esta herramienta puede ser peligroso.

## REEMPLAZO DEL CARRETE (FIGURAS N, O, P Y Q)

**⚠ ADVERTENCIA:** Antes de realizar cualquier ensamblaje, ajuste o cambio de

accesorios, desconecte el enchufe de la fuente de alimentación. Dichas medidas de seguridad preventiva reducen el riesgo de encender la herramienta en forma accidental.

**⚠ PRECAUCIÓN:** Para evitar que se dañe la herramienta, si la cuerda de corte sobresale más allá de la hoja de recorte, córtela de manera que llegue solo hasta la hoja.

- Oprima las lengüetas y quite la tapa del carrete de la cubierta del carrete en el cabezal de la podadora Figura N.
- Sujete el carrete vacío con una mano y la tapa del carrete con la otra y tire de éste para quitarlo.
- Remplace el carrete con el Black+Decker modelo N.º SF-080.
- Elimine toda la suciedad y el césped del carrete y de la tapa del mismo.
- Si se desprende la palanca (Q1) en la base de la tapa del carrete, vuelva a ponerla en la posición correcta antes de insertar un carrete nuevo.
- Afloje el extremo de la cuerda de corte e introduzca la cuerda en el orificio (O2).
- Empuje el carrete CON DELICADEZA dentro de la tapa del carrete y gírelo hasta que sienta que encaja en su lugar. Luego, empújelo hasta que encaje en su lugar produciendo un chasquido. (Una vez asegurado, el carrete girará libremente algunos grados a la izquierda y a la derecha).
- Tenga cuidado para evitar que la cuerda quede atrapada bajo el carrete.
- Alinee las lengüetas de la tapa del carrete con las ranuras en la cubierta del carrete (Figura P). Vuelva a encajar la tapa del carrete hasta que produzca un chasquido como se muestra en la Figura P oprimiendo las lengüetas de esta y empujándola dentro de la cubierta del carrete.

**AVISO:** La cuerda debe sobresalir aproximadamente 122 mm (4-13/16 pulgadas) desde la cubierta.

## REBOBINADO DEL CARRETE (FIGURAS R Y S)

**⚠ ADVERTENCIA:** Antes de realizar cualquier ensamblaje, ajuste o cambio de accesorios, desconecte el enchufe de la fuente de alimentación. Dichas medidas de seguridad preventiva reducen el riesgo de encender la herramienta en forma accidental.

**AVISO:** UTILICE ÚNICAMENTE CUERDA DE MONOFILAMENTO REDONDO DE NAILON DE 2,0 mm (0,080 pulgadas) DE DIÁMETRO. No utilice cuerdas dentadas o de mayor calibre ya que sobrecargarán el motor y provocarán sobrecalentamiento.

**AVISO:** Es más probable que los carretes enrollados a mano con una cuerda a granel se enreden con mayor frecuencia que los carretes de Black+Decker enrollados de fábrica. Para obtener mejores resultados, se recomiendan los carretes enrollados de fábrica. Para rebobinar un carrete, siga los pasos a continuación:

- Quite el carrete vacío de la herramienta como se describe en “REEMPLAZO DEL CARRETE”.
- Pliegue el final de la cuerda de corte a aproximadamente 19 mm (3/4 pulgada) del extremo de esta (R1).
- Inserte la cuerda de corte plegada en el orificio superior dentro del carrete (R2) como se muestra en la Figura R3.
- Enrolle la cuerda de corte en el carrete en la dirección de la flecha que se encuentra en el mismo. Asegúrese de enrollar la cuerda ordenadamente y en capas. No la entrecruce (Figura S).
- Cuando la cuerda de corte enrollada llegue a las cavidades (R4), córtela y insértela en la ranuras del carrete para la cuerda (R5).
- Coloque la tapa del carrete en la herramienta como se describe en “REEMPLAZO DEL CARRETE” (Figuras O y P).

## MANTENIMIENTO

**⚠ ADVERTENCIA:** Para evitar lesiones graves, apague y desenchufe la herramienta antes de realizar cualquier tipo de mantenimiento.

**IMPORTANTE:** Para garantizar la SEGURIDAD y la CONFIABILIDAD del producto, las reparaciones, el mantenimiento y los ajustes se deben realizar en los centros de mantenimiento autorizados o en otras organizaciones de mantenimiento calificadas, utilizando siempre piezas de repuesto idénticas.

1. Mantenga limpias las ranuras de admisión de aire para evitar el sobrecalentamiento.
2. La cuerda de la podadora puede secarse con el tiempo. Para conservar la cuerda en óptimas condiciones, guarde los carretes pre-enrollados de repuesto o la cuerda en paquete en una bolsa sellada de plástico con una cucharada de agua.
3. Las piezas de plástico pueden limpiarse utilizando jabón suave y un paño húmedo.
4. La cortadora de cuerda en el extremo del protector puede perder filo con el tiempo. Se recomienda mantener periódicamente el filo de la hoja con una lima.

## DETECCIÓN DE PROBLEMAS

### Problema

- La unidad no enciende.

### Causa posible

- Cable desenchufado.
- Fusible quemado. quemado.

### Solución posible

- Enchufe el cargador en un tomacorriente que funcione.
- Reemplace el fusible (Si repetidamente el producto hace que el fusible del circuito se queme, deje de utilizarlo inmediatamente y haga que le realicen mantenimiento en un centro de mantenimiento Black+Decker o en un centro de servicio autorizado.)
- Reinicie el interruptor automático. (Si repetidamente el producto hace que el fusible del circuito se queme, deje de utilizarlo inmediatamente y haga que le realicen mantenimiento en un centro de mantenimiento Black+ Decker o en un centro de servicio autorizado.)
- Haga reparar el cable o el interruptor en un centro de mantenimiento Black+ Decker o en un centro de mantenimiento autorizado.
- Asegúrese de que la rueda ribete está en el borde de la superficie y la línea de corte se coloca en la zona de hierba o suciedad a no superó la acera o otra superficie abrasiva.

- El interruptor automático está activado.

- Interruptor o cable dañado.

- Línea de corte se consume rápidamente en el modo de borde
- Borde demasiado lejos del borde de las aceras o superficies abrasivas. La línea de corte está golpeando las aceras o superficie abrasiva.

**Solamente para Propósitos de México** Para conocer la ubicación del centro de servicio más cercano a fin de recibir ayuda con su producto, visite nuestro sitio Web [www.blackanddecker.com.mx](http://www.blackanddecker.com.mx) o llame a la línea de ayuda Black+Decker al **01 800 847 2309/01 800 847 2312**

## INFORMACIÓN DE MANTENIMIENTO

Todos los Centros de servicio de Black+Decker cuentan con personal altamente capacitado dispuesto a brindar a todos los clientes un servicio eficiente y confiable en la reparación de herramientas eléctricas. Si necesita consejo técnico, reparaciones o piezas de repuesto originales de fábrica, póngase en contacto con el centro de servicio de Black+Decker más cercano a su domicilio. Para ubicar su centro de servicio local llame al 1-800-544-6986 o visite nuestro sitio [www.blackanddecker.com](http://www.blackanddecker.com).

Este aparato digital Clase B cumple con la norma canadiense ICES-003.

Este mecanismo cumple con la parte 15 de las normas de la Comisión Federal de Comunicaciones de Estados Unidos (FCC). La operación está sujeta a las dos condiciones siguientes: (1) Este mecanismo posiblemente no cause interferencia perjudicial; y (2) este mecanismo puede aceptar cualquier interferencia recibida, incluso interferencia que podría provocar una operación no deseada.

NOTA: Este equipo ha sido probado y se encontró que cumple con los límites para dispositivo digital Clase B, según la parte 15 de las normas de la FCC. Estos límites están diseñados para brindar protección razonable contra interferencia perjudicial en una instalación residencial. Este equipo genera, usa y puede irradiar energía en frecuencia de radio y, si no se instala y se usa de acuerdo con las instrucciones, puede provocar interferencia perjudicial en las comunicaciones de radio. Sin embargo, no hay garantía de que la interferencia no ocurra en una instalación en particular. Si este equipo provoca interferencia perjudicial en la recepción de radio o televisión, lo que se puede determinar al apagar y encender el equipo, el

usuario debe tratar de corregir la interferencia mediante una o más de las siguientes medidas:

- Cambiar la orientación o la ubicación de la antena de recepción.
- Aumentar la separación entre el equipo y el receptor.
- Conectar el equipo a un tomacorriente sobre un circuito diferente de aquel al que está conectado el receptor.
- Consultar al vendedor o pedir la ayuda de un técnico en radio y televisión con experiencia.

Los cambios o las modificaciones que se le realicen a esta unidad sin aprobación expresa del tercero responsable del cumplimiento pueden anular la autorización del usuario para operar el equipo. Este aparato digital de la clase B se conforma con ICES-003 canadiense.

## **GARANTÍA LIMITADA DE DOS AÑOS**

Black+Decker (U.S.) Inc. garantiza que este producto está libre de defectos de material o mano de obra durante un período de dos (2) años desde la fecha de compra, siempre y cuando el producto se utilice en un entorno doméstico. Esta garantía limitada no cubre contra fallas debidas a mal uso, daño accidental o cuando se han realizado o intentado reparaciones por parte de cualquier otra persona ajena a Black+Decker y sus centros de mantenimiento autorizados. Un producto defectuoso que cumple con las condiciones de la garantía establecidas en el presente documento será reemplazado o reparado sin costo de una dos maneras: La primera, que únicamente dará lugar a intercambios, consiste en devolver el producto al comerciante minorista donde fue comprado (siempre y cuando la tienda sea un comerciante minorista participante). Las devoluciones deben realizarse dentro del período establecido en la política para intercambios del comerciante minorista. Es posible que se requiera el comprobante de compra. Consulte al comerciante minorista sobre su política específica de devoluciones con respecto a los límites de tiempo para devoluciones o intercambios. La segunda opción es llevar o enviar (pagado por adelantado) el producto a un centro de mantenimiento de propiedad o con autorización de Black+Decker para su reparación o reemplazo a discreción de Black+Decker. Es posible que se requiera un comprobante de compra. Los centros de mantenimiento de propiedad o con autorización de Black+Decker se indican bajo "Herramientas-Eléctricas" en las páginas amarillas del directorio telefónico o en línea en [www.blackanddecker.com](http://www.blackanddecker.com).

Esta garantía no se aplica a los accesorios. Esta garantía le otorga derechos legales específicos y es posible que tenga otros derechos que varían de un estado a otro. En caso de que tenga alguna pregunta, comuníquese con el gerente del centro de mantenimiento de Black+Decker más cercano a usted. Este producto no está diseñado para uso comercial y, en consecuencia, dicho uso comercial de este producto anulará la garantía. Por medio del presente documento, se declina la responsabilidad de todas las demás garantías, explícitas o implícitas.

**AMÉRICA LATINA:** Esta garantía no se aplica a productos vendidos en América Latina. Para los productos que se venden en América Latina, consulte la información de garantía específica del país contenida en el empaque, llame a la compañía local o visite el sitio web para obtener dicha información.

### **2 AÑOS DE GARANTIA**

Este producto cuenta con dos años de garantía a partir de la fecha de compra contra cualquier defecto de su funcionamiento, así como cualquier falla debido a materiales empleados para su fabricación ó mano de obra defectuosa.

Nuestra garantía incluye la reparación o reposición del producto y/o componentes sin cargo alguno para el cliente incluyendo la mano de obra, esta incluye los gastos de trasportación erogados para lograr cumplimiento de esta garantía en los domicilios diversos señalados. Para hacer efectiva esta garantía deberá presentar su herramienta y esta póliza sellada por el establecimiento comercial donde se adquirió el producto.

Nos comprometemos a entregar el producto en un lapso no mayor a 30 días hábiles contados a partir de la fecha de recepción del mismo en nuestros talleres de servicio autorizados.

### **ESTA GARANTIA NO APLICA CUANDO:**

El producto se hubiese utilizado en condiciones distintas a las normales.

El producto no hubiese sido operado de acuerdo con el instructivo de uso que se acompaña.

El producto hubiese sido alterado o reparado por personas no autorizadas por nosotros.

Importador: Black+Decker S.A. de .C.V

Bosque de Cidros Acceso Radiatas No.42

3ra.Seccion de Bosques de las lomas

C.P.05120, Mexico, D.F. Tel: (01 55) 5326 7100

## SOLAMENTE PARA PROPOSITOS DE MEXICO

### **Grupo Realsa en herramientas, S.A. de C.V.**

Súper Manzana 69 MZ.01 Lote 30  
(Av. Torcasita)  
Col. Puerto Juárez  
Cancún, Quintana Roo  
Tel. 01 998 884 72 27

### **Ferre Pat de Puebla, S.A. de C.V.**

16 de Septiembre No. 6149  
Col. El Cerrito  
Puebla, Puebla  
Tel. 01 222 264 12 12

### **Ferre Pat de Puebla, S.A. de C.V.**

Ejército Mexicano No. 15  
Col. Ejido 1ro. de Mayo  
Boca del Rio, Veracruz  
Tel. 01 229 167 89 89

### **Servicio de Fabrica Black+Decker, S.A. de C.V.**

Lázaro Cardenas No. 18  
Col. Obrera  
Distrito Federal  
Tel. 55 88 95 02

### **Representaciones Industriales Robles, S.A. de C.V.**

Tezozomoc No. 89  
Col. La Preciosa  
Distrito Federal  
Tel. 55 61 86 82

### **Gpo. Comercial de Htas. y Refacciones de Occidente, S.A. de C.V.**

Av. La Paz No. 1779  
Col. Americana, S. Juaréz  
Guadalajara, Jalisco  
Tel. 01 33 38 25 69 78

### **Herramientas y Equipos Profesionales**

Av. Colón 2915 Ote.  
Col. Francisco I. Madero  
Monterrey, Nvo. León  
Tel. 01 81 83 54 60 06

### **Htas. Portátiles de Chihuahua, S.A. de C.V.**

Av. Universidad No. 2903  
Col. Fracc. Universidad  
Chihuahua, Chihuahua  
Tel. 01 614 413 64 04

### **Fernando González Armenta**

Bolivia No. 605  
Col. Felipe Carrillo Puerto  
Cd. Madero, Tampico  
Tel. 01 833 221 34 50

### **Perfiles y Herramientas de Morelia**

Gertrudis Bocanegra No. 898  
Col. Ventura Puente  
Morelia, Michoacán  
Tel. 01 443 313 85 50

### **Enrique Robles**

Av. de la Solidaridad No. 12713  
Col. La Pradera  
Irapuato, Guanajuato  
Tel. 01 462 626 67 39

### **Hernández Martínez Jeanette**

Prolongación Corregidora Nte. No. 1104  
Col. Arboledas  
Queretaro, Qro.  
Tel. 01 442 245 25 80

**PARA OTRAS LOCALIDADES LLAME AL 01 800 847 2309 o 01 800 847 2312.**

BLACK+DECKER S.A. DE C.V.  
BOSQUES DE CIDROS ACCESO RADIATAS NO. 42  
COL. BOSQUES DE LAS LOMAS.  
05120 MÉXICO, D.F.  
TEL. (01 55) 5326 7100  
01 800 847 2309/01 800 847 2312



Cat No. GH3000  
June 2020

Form No. N784767  
Copyright © 2020, Black+Decker