

# **BLACK+** **DECKER**™

**INSTRUCTION MANUAL**  
**MODE D'EMPLOI**  
**MANUAL DE INSTRUCCIONES**

**20 INCH (508 MM) CORDED MOWER**  
**TONDEUSES AVEC FIL 508 MM (20 POUCES)**  
**PODADORAS ALÁMBRICAS 508 MM (20 PULGADAS)**

**BEMW213**

**Please read before returning this product for any reason.**

**à LIRE avant de retourner ce produit pour quelque raison que ce soit.**

**LEA EL MANUAL antes de devolver este producto por cualquier motivo.**

---

English (**original instructions**)

1

---

Français (*traduction de la notice d'instructions originale*)

12

---

Español (*traducido de las instrucciones originales*)

24

---

## Definitions: Safety Alert Symbols and Words

This instruction manual uses the following safety alert symbols and words to alert you to hazardous situations and your risk of personal injury or property damage.





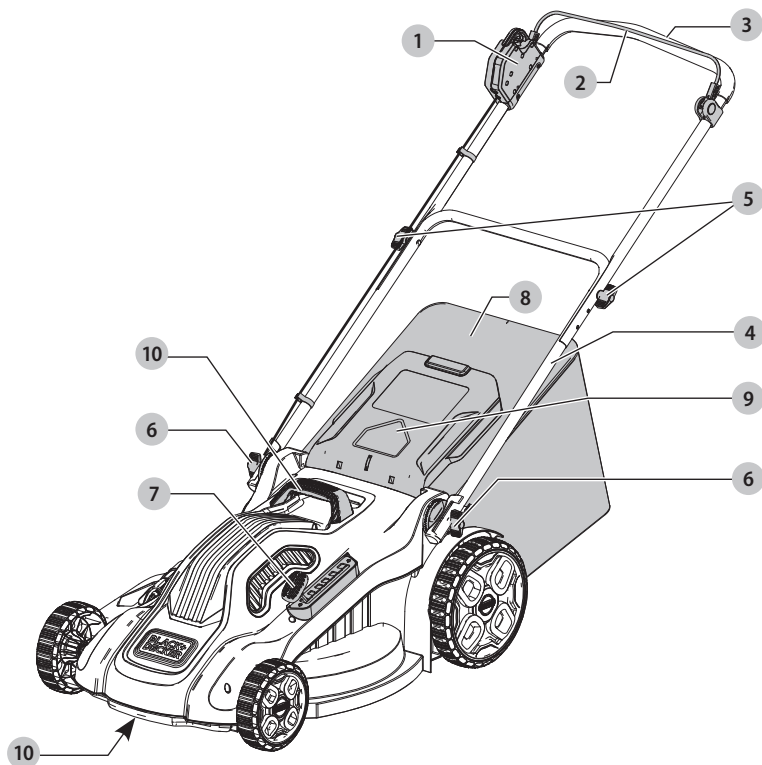

-  **DANGER:** Indicates an imminently hazardous situation which, if not avoided, **will** result in **death or serious injury**.
-  **WARNING:** Indicates a potentially hazardous situation which, if not avoided, **could** result in **death or serious injury**.
-  **CAUTION:** Indicates a potentially hazardous situation which, if not avoided, **may** result in **minor or moderate injury**.
-  (Used without word) Indicates a safety related message.
- NOTICE:** Indicates a practice **not related to personal injury** which, if not avoided, **may** result in **property damage**.


Fig. A



## COMPONENTS

- 1 ON-OFF Switch box
- 2 Bail handle
- 3 Upper handle
- 4 Lower handle
- 5 Upper handle knob
- 6 Lower handle knob
- 7 Cut height adjust lever
- 8 Grass collection bag
- 9 Rear door cover
- 10 Carrying handle

 **WARNING:** Read all safety warnings and all instructions. Failure to follow the warnings and instructions may result in electric shock, fire and/or serious injury.

 **WARNING:** To reduce the risk of injury, read the instruction manual.

If you have any questions or comments about this or any product, call BLACK+DECKER toll free at:  
1-800-544-6986.

## IMPORTANT SAFETY WARNINGS AND INSTRUCTIONS



**WARNING:** To reduce risk of injury:

- Before any use, be sure everyone using this tool reads and understands all safety instructions and other information contained in this manual.
- Save these instructions and review frequently prior to use and in instructing others.
- When using electric lawn mowers, basic safety precautions should always be followed to reduce the risk of fire, electric shock, and personal injury, including the following:

### READ ALL INSTRUCTIONS

## GENERAL SAFETY WARNINGS AND INSTRUCTIONS FOR ALL TOOLS

- **This tool can be dangerous.** Follow all warnings and Safety Instructions in this manual. The operator is responsible for following warnings and instructions in this manual and on unit. Restrict use of this mower to persons who read, understand and follow warnings and instructions in this manual and on unit.
- **Avoid dangerous environment** – don't use lawn mowers in damp or wet locations.
- **Don't Use In Rain.**
- **Keep Children Away** – All visitors should be kept a safe distance from work area.
- **Dress Properly** – Do not wear loose clothing or jewelry. They can be caught in moving parts. Use of rubber gloves and footwear is recommended when working outdoors.
- **Use Safety Glasses** – Always use face or dust mask if operation is dusty.
- **Use Right Appliance** – Do not use lawn mower for any job except that for which it is intended.
- **Ground Fault Circuit Interrupter (GFCI) protection should be provided on the circuit(s) or outlet(s) to be used for the lawn mower.** Receptacles are available having built-in GFCI protection and may be used for this measure of safety.
- **Check for damaged parts.** Before further use of the mower, a guard or other part that is damaged should be carefully checked to determine that it will operate properly and perform its intended function. Check for alignment of moving parts, binding of moving parts, breakage of parts, mounting, and any other conditions that may affect their operation. A guard or other part that is damaged should be properly repaired or replaced by an authorized service center unless otherwise indicated elsewhere in this manual.
- **Repairs and service.** Repairs, maintenance and any adjustments not specified in this manual should

be performed by authorized service centers or other qualified service organizations, always using identical replacement parts.



**WARNING** – To prevent electric shock use only with an extension cord suitable for outdoor use, such as SW, SOW, STW, STOW, SJW, SJOW, SJTW, or SJTOW.



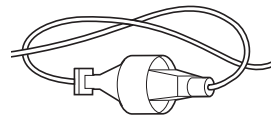
**WARNING Extension Cord** – Make sure your extension cord set is in good condition. When using an extension cord, be sure to use one heavy enough to carry the current your product will draw. For proper size cords see chart below. An undersized cord will cause a drop in line voltage resulting in loss of power and overheating. To reduce the likelihood of disconnection of lawn mower cord from the cord set during operating:

### Minimum Gauge for Cord Sets

Volts	Total Length of Cord in Feet (meters)				
	120 V	25 (7.6)	50 (15.2)	100 (30.5)	150 (45.7)
240 V	50 (15.2)	100 (30.5)	200 (61.0)	300 (91.4)	
Ampere Rating		American Wire Gauge			
More Than	Not More Than				
0	6	18	16	16	14
6	10	18	16	14	12
10	12	16	16	14	12
12	16	14	12	Not Recommended	

- Make a knot as shown in Figure B; or
- Use one of the plug-receptacle retaining straps or connectors described in this manual.

Fig. B



- **Devices for retaining extension cords are available.**
- **Don't Abuse Cord** – Never pull lawn mower by cord or yank it to disconnect from receptacle. Keep cord from heat, oil, and sharp edges.
- **Don't Force Lawn Mower** – It will do the job better and safer at the rate for which it was designed.
- **Don't Overreach** – Keep proper footing and balance at all times.
- **Stay Alert** – Watch what you are doing. Use common sense. Do not operate lawn mower when you are tired.
- **Disconnect Lawn Mower** – Disconnect the lawn mower from the power supply when not in use, before servicing, when changing accessories such as blades, and the like.



- **Store Idle Lawn Mower Indoors** – When not in use, lawn mower should be stored in an indoor dry and locked-up place – out of reach of children.
- **Maintain Lawn Mower With Care** – Keep cutting edges sharp and clean for best and safest performance. Follow instructions for lubricating and changing accessories. Inspect lawn mower cord periodically and if damaged, have it repaired by an authorized service facility. Inspect extension cords periodically and replace if damaged. Keep handles dry, clean, and free from oil and grease.
- **Keep guards in place and in working order.**
- **Keep blades sharp.**
- **Keep hands and feet away from cutting area.**
- **Objects struck by the lawn mower blade can cause severe injuries to persons.** The lawn should always be carefully examined and cleared of all objects prior to each mowing.
- **If lawn mower strikes a foreign object, follow these steps:**
  1. Stop lawn mower. Release the bail handle.
  2. Unplug power cord.
  3. Inspect for damage.
  4. Repair any damage before restarting and operating the lawn mower.
- **Use identical replacement blades only.**
- **Extension Cords**

Use only three-wire outdoor extension cords that have three-prong grounding-type plugs and three-pole receptacles that accept the lawn mower's plug.

## For All Double-Insulated Lawn Mowers Replacement Parts

When servicing use only identical replacement parts.

### Polarized Appliance Connections

To reduce the risk of electric shock, this appliance has a polarized plug (one blade is wider than the other) and will require the use of a polarized extension cord. The appliance plug will fit into a polarized extension cord only one way. If the plug does not fit fully into the extension cord, reverse the plug. If the plug still does not fit, obtain a correct polarized extension cord. A polarized extension cord will require the use of a polarized wall outlet. This plug will fit into the polarized wall outlet only one way. If the plug does not fit fully into the wall outlet, reverse the plug. If the plug still does not fit, contact a qualified electrician to install the proper wall outlet. Do not change the equipment plug, extension cord receptacle, or extension cord plug in any way.

## SAVE THESE INSTRUCTIONS

## Important

### Safe Practices for Pedestrian-Controlled Mowers

This machine is capable of amputating hands and feet and throwing objects. Failure to observe the following safety instructions could result in serious injury or death.

### General Information

1. Read, understand, and follow instructions and warnings in this manual and on the machine, engine and attachments.
2. Only allow operators, who are responsible, trained, familiar with the instructions, and physically capable to operate the machine.
3. Do not operate the machine while under the influence of alcohol or drugs.

### Preparation Before Operating

1. Clear the operating area of any objects which could be thrown by or interfere with operation of the machine.
2. Keep the area of operation clear of all bystanders, particularly small children. Stop the machine and attachment(s) if anyone enters the area.
3. Do not operate the machine without the entire grass catcher, discharge chute, or other safety devices in place and functioning properly. Check frequently for signs of wear or deterioration and replace as needed.
4. Wear appropriate personal protective equipment such as safety glasses, hearing protection, and footwear.

### Operating

1. Only operate the machine in daylight or good artificial light.
2. Avoid holes, ruts, bumps, rocks, or other hidden hazards. Uneven terrain could overturn the machine, or cause operator to lose their balance or footing.
3. Do not put hands or feet near rotating parts or under the machine. Keep clear of the discharge opening at all times.
4. Do not direct discharge material toward anyone. Avoid discharging material against a wall or obstruction. Material may ricochet back toward the operator. Stop the blade(s) when crossing gravel surfaces.

### Children Specific

1. Tragic accidents can occur if the operator is not alert to the presence of children. Children are often attracted to the machine and the mowing activity. Never assume that children will remain where you last saw them.
2. Keep children out of the operating area and under the watchful care of a responsible adult other than the operator.

### Slope Specific

1. Slopes are a major factor related to accidents. Operation on slopes requires extra caution.
2. Travel in the manufacturer recommended direction on slopes. Use caution while operating near dropoffs.

3. Avoid mowing wet grass. (Poor footing could cause a slip and fall accident.)
4. Do not operate machine under any condition where traction, steering, or stability is in question. Mower could slide even if the wheels are stopped.
5. Avoid starting and stopping on slopes. Avoid making sudden changes in speed or direction. Make turns slowly and gradually.
6. Use extra care while operating machine with a grass catcher or other attachment(s). They can affect the stability of the machine.

**Service**

1. Keep machine in good working order. Replace worn or damaged parts.
2. Use caution when servicing blades. Wrap the blade(s) or wear gloves. Replace damaged blades. Do not repair or alter blade(s).

**The following are explanations of important safety hazard pictorials on the mower.**



User must read and understand the instruction manual.



To avoid the risk of serious injury do not mow up and down slopes. Always mow across slopes.



To avoid the risk of injury to bystanders keep all persons and pets at a safe distance from the mower while operating.



Rotating blades can cause serious injury. Keep hands and feet clear of mower deck and discharge opening at all times. Always be sure blade has stopped. Release bail handle to turn mower off and wait for the blade to stop rotating (approximately 3 seconds) and disconnecting it from the power source before removing and replacing grass catcher, cleaning, servicing, transporting or lifting the mower.



Objects struck by mower blade can cause serious injury. Stay behind the handle when the motor is running. Always ensure persons and pets are clear of the discharge from the mower while operating. Always inspect mowing area before mowing and remove objects that could be thrown by blade. Release bail handle to turn mower off and wait for the blade to stop rotating (approximately 3 seconds) before crossing walk, roads, patio and gravel drives.

**Additional Safety Information**

**WARNING:** ALWAYS use safety glasses. Everyday eyeglasses are NOT safety glasses. Also use face or dust mask if cutting operation is dusty. ALWAYS WEAR CERTIFIED SAFETY EQUIPMENT:

- ANSI Z87.1 eye protection (CAN/CSA Z94.3),

- ANSI S12.6 (S3.19) hearing protection,
- NIOSH/OSHA/MSHA respiratory protection.



**WARNING:** Some dust created by this product contains chemicals known to the State of California to cause cancer, birth defects or other reproductive harm. Some examples of these chemicals are:

- compounds in fertilizers
- compounds in insecticides, herbicides and pesticides
- arsenic and chromium from chemically treated lumber

To reduce your exposure to these chemicals, wear approved safety equipment such as dust masks that are specially designed to filter out microscopic particles.

The label on your tool may include the following symbols. The symbols and their definitions are as follows:

V .....	volts		AC/DC...alternating or direct current
Hz .....	hertz		Class II
min .....	minutes		Construction (double insulated)
— — — or DC .....	direct current		n <sub>0</sub> ..... no load speed
	Class I Construction (grounded)		n ..... rated speed
... /min .....	per minute		..... earthing terminal
BPM .....	beats per minute		..... safety alert symbol
IPM .....	impacts per minute		..... visible radiation
RPM .....	revolutions per minute		..... avoid staring at light
sfpm .....	surface feet per minute		..... wear respiratory protection
SPM .....	strokes per minute		..... wear eye protection
OPM .....	oscillations per minute		..... wear hearing protection
A .....	amperes		..... read all documentation
W .....	watts		
~ or AC .....	alternating current		
		IPXX .....	IP symbol

**SAVE THESE INSTRUCTIONS FOR FUTURE USE**

**COMPONENTS (FIG. A)**

**Motor**

Be sure your power supply agrees with the nameplate marking. Voltage decrease of more than 10% will cause loss of power and overheating. These tools are factory tested; if this tool does not operate, check power supply.

**Intended Use**

This mower is designed for residential use.

**DO NOT** use under wet conditions or in presence of flammable liquids or gases.

**DO NOT** let children come into contact with the tool. Supervision is required when inexperienced operators use this tool.

## ASSEMBLY AND ADJUSTMENTS

**!** **WARNING:** To reduce the risk of serious personal injury, turn unit off and disconnect it from power source before making any adjustments or removing/installing attachments or accessories. An accidental start-up can cause injury.

**!** **WARNING:** Before assembly, make sure the bail handle is released and the mower is unplugged.

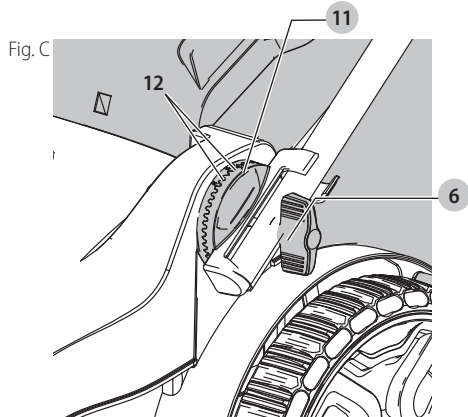
### Adjusting Lower Handle (Fig. A, C)

There are 2 operating heights for the handle to accommodate multiple operators.

1. Lift lower handle **4** into place.
2. Align the arrow **11** on the base of the mower with 1 or 2 on the base of the handle.

**!** **CAUTION:** Ensure each side of the lower handle is set on the same number. The arrow must be lined up with 1 or 2 for operation.

3. Tighten the handle height adjust knobs **6**. As you close each, make sure the teeth **12** are engaged. Tighten the lower handle knobs to secure the lower handle in place.



### Attaching/Adjusting Upper Handle (Fig. A, D)

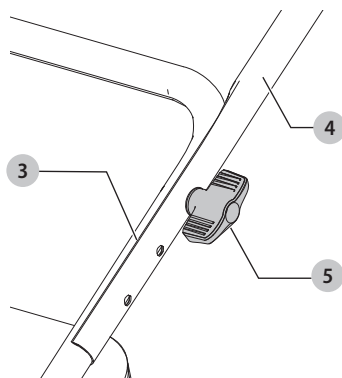
1. Remove the upper-handle attachment knobs **5**, washers, and bolts from the handle.
2. Line up the holes on the bottom of the upper handle **3** with one of the three handle height holes on the top of the lower handle **4**.

**NOTE:** Make sure the cord is located on the front of both handles. If it is not it may result in the cord tangling and the inability to easily store the mower.

3. Fit the upper handle part to the lower handle using the upper handle knobs **5**, washers and bolts.
4. From the outside of the upper handle **3**, slide the lever bolt through the holes.

5. Slide the washer over the bolt of the upper-handle attachment knobs and loosely assemble the entire assembly.
6. Rotate the upper handle into its operating position.
7. Tighten the upper handle knobs. If it is too tight or too loose, adjust the upper-handle attachment knobs to adjust the clamping. They should be tight enough so the handles are held firmly.

Fig. D

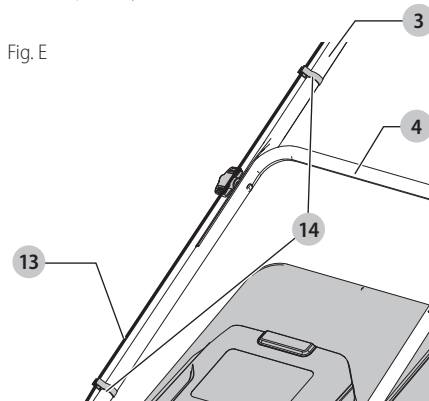


### Securing the Motor Cable (Fig. E)

**!** **CAUTION:** Attach cable so that it does not become stretched or pinched in the joints of the handles during use or folding. This can cause damage to the cord.

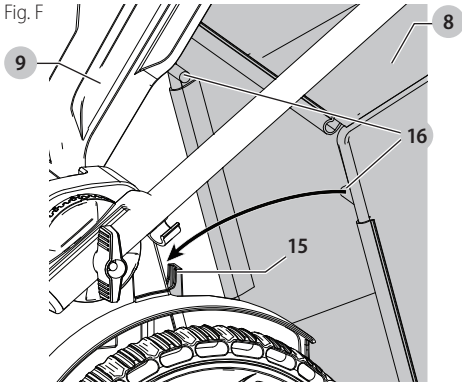
The motor cable **13** has to be fixed to the handles using the cable restraints **14** that are already attached to the handle.

1. Place the handles in operating position, see **Adjusting Lower Handle** section.
2. Run the cable up the front of the lower **4** and upper **3** handles.
3. Pull back the cable restraint.
4. Slide the motor cable under the clip and ensure it is fully held in place by the restraint.



## Bagging (Fig. F)

1. Lift the rear door cover **9** and place the grass collection bag **8** onto the mower so the bag hooks **15** rest on the lugs **16**. Then lower the rear door cover.



## Safety Shield and Rear Door (Fig. A)

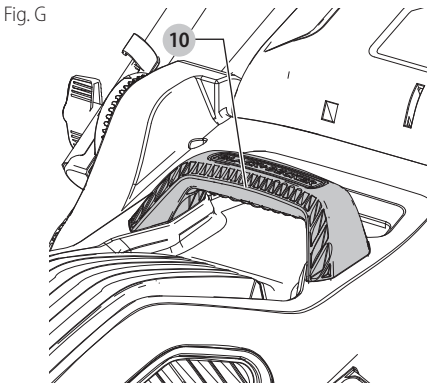
The safety shield is designed to minimize the throwing of stones or other objects by the mower blade backward from under the mower deck.

The shield, along with the rear door cover **9** minimizes the possibility of accidental foot contact with the blade. DO NOT operate mower without the safety shield and rear door in place.

## Carrying the Mower (Fig. A, G)

**! DANGER: ROTATING BLADES CAN CAUSE SERIOUS INJURY. TO PREVENT SERIOUS INJURY, UNPLUG MOWER WHEN UNATTENDED, CLEANING, SERVICING, TRANSPORTING, LIFTING, OR STORING MOWER.**

The mower can be carried using the convenient carry handles **10**. DO NOT attempt to lift the mower by grasping the upper handle **3** or lower handle **4**.



## OPERATION

**! WARNING: To reduce the risk of serious personal injury, turn unit off and disconnect it from power source before making any adjustments or removing/installing attachments or accessories. An accidental start-up can cause injury.**

**! DANGER: Sharp moving blade. Take your mower to the nearest service center for repair if rear door does not close.**

**! DANGER: Sharp moving blade. Never operate the mower in bagging mode unless the hanger hooks on the grass catcher are seated properly on the mower and the rear discharge door rests firmly against the top of the grass catcher as serious injury could result.**

**! DANGER: Sharp moving blade.**

**! DANGER: Rotating blades can cause serious injury. To prevent serious injury, unplug mower when unattended, or when charging, cleaning, servicing, transporting, lifting, or storing mower.**

**! WARNING: Let the mower work at its own pace. Do not overload.**

READ THIS INSTRUCTION MANUAL BEFORE OPERATING YOUR MOWER. Refer to **Components** to familiarize yourself with the location of various controls and adjustments. Save this manual for future reference.

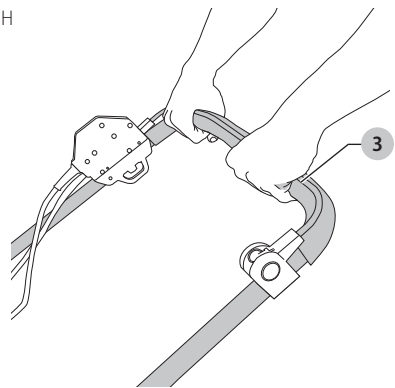
## Proper Hand Position (Fig. H)

**! WARNING: To reduce the risk of serious personal injury, ALWAYS use proper hand position as shown.**

**! WARNING: To reduce the risk of serious personal injury, ALWAYS hold securely in anticipation of a sudden reaction.**

Proper hand position requires both hands on the upper handle **3**.

Fig. H



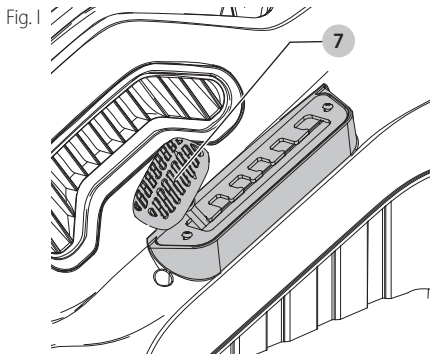
## Adjusting Mower Cut Height (Fig. I)

1. Pull the mower cut height adjustment lever **7** out of the locking notch.
  - a. Move the lever towards the rear of the appliance to lower the height of cut.

b. Move the lever towards the front of the appliance to raise the height of cut.

2. Push the height adjustment lever into one of the 6 locking notches.

**NOTE:** If you are not sure which height to cut, begin mowing with the cut height adjustment lever in position 6 and adjust the height down as needed.



## Starting Mower (Fig. J)

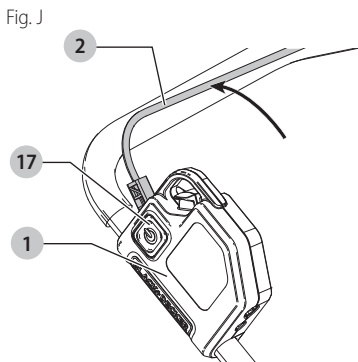
**! DANGER:** Sharp moving blade. Never attempt to override the operation of this switch box as serious injury could result.

**! WARNING:** Never attempt to lock a switch or bail handle in the on position.

Your mower is equipped with a special on-off switch box.

1. To operate the mower, push the button **17** on the switch box **1**, then pull the bail handle **2** to the handlebar. Release button and hold bail handle with both hands.
2. To turn the mower off, just release the bail handle.

**NOTE:** Once the bail handle has returned to the original position it will activate the "Automatic Braking Mechanism". The motor is braked and the mower blade will stop rotating in three seconds or less.



## Mowing (Fig. K)

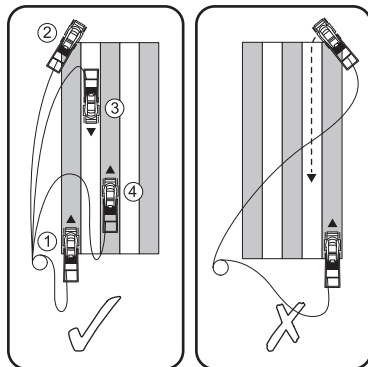
**! WARNING:** Always inspect area where mower is to be used and remove all stones, sticks, wire, bones and other debris which might be thrown by the rotating blade.

We recommend to use your mower as outlined in this section in order to achieve optimum results and to reduce the risk of cutting the main cable.

1. Place the bulk of the cable on the lawn, close to the starting point (position 1 in Figure K).
2. Switch the mower on as described above.
3. Proceed as shown in Figure K
4. Move from position 1 to position 2.
5. Turn right, stepping over the cable and proceed towards position 3.
6. Turn left, stepping over the cable and move towards position 4.
7. Repeat the above procedure as required.

**! WARNING:** Do not work towards the cable as shown in Figure K.

Fig. K



## Mowing Tips (Fig. A)

**! WARNING:** Always inspect area where mower is to be used and remove all stones, sticks, wire, bones, and other debris which might be thrown by the rotating blade.

**! WARNING:** Mow across the face of slopes, never up-and-down. Exercise extreme caution when changing direction on slopes. Do not mow excessively steep slopes. Always maintain good footing.

- Release bail handle to turn mower "OFF" when crossing any gravel area (stones can be thrown by the blade).
- Set mower at highest cutting height when mowing in rough ground or in tall weeds. Removing too much grass at one time can cause the motor to be overloaded and to stop. Refer to **Troubleshooting** guide.
- If the grass collection bag **8** is used during the fast growing season, the grass may tend to clog up at the discharge opening. Release bail handle to turn mower

off and unplug mower. Remove the catcher and shake the grass down to the back end of the bag. Also clean out any grass or debris which may be packed around the discharge opening. Replace the grass catcher.

- If mower should start to vibrate abnormally, release bail handle to turn mower off and unplug mower. Check immediately for cause. Vibration is a warning of trouble. Do not operate mower until a service check has been made. Refer to **Troubleshooting Guide** in manual.
- ALWAYS RELEASE BAIL HANDLE TO TURN MOWER OFF AND UNPLUG MOWER WHEN LEAVING IT UNATTENDED, EVEN FOR A SHORT PERIOD OF TIME.

## Mower Overload

To prevent damage due to overload conditions, do not try to remove too much grass at one time. Slow down your cutting pace, or raise the cut height.

## MAINTENANCE

- ⚠ WARNING:** To reduce the risk of serious personal injury, turn unit off and disconnect it from power source before making any adjustments or removing/installing attachments or accessories. An accidental start-up can cause injury.

### Removing and Installing Blade (Fig. L, M)

- ⚠ DANGER:** RISK OF INJURY. WHEN REASSEMBLING THE BLADE SYSTEM, ENSURE EACH PART IS REINSTALLED CORRECTLY, AS DESCRIBED BELOW. IMPROPER ASSEMBLY OF THE BLADE OR OTHER PARTS OF THE BLADE SYSTEM MAY CAUSE SERIOUS INJURY.

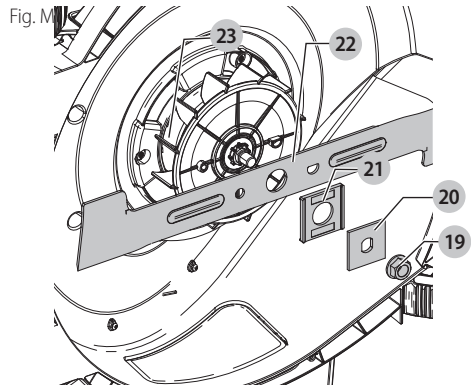
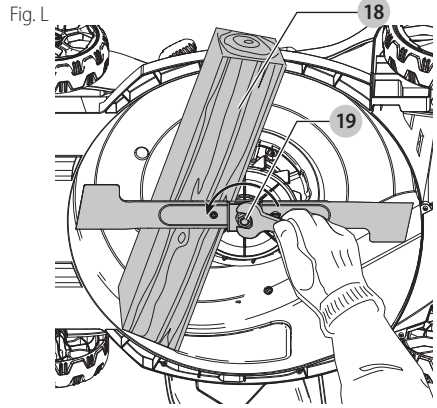
1. Cut a piece of 2x4 wood **18** (about 2 feet long) (610 mm) to keep blade from turning when removing the flange nut **19**.

- ⚠ WARNING:** Use gloves and proper eye protection. Turn the mower on its side. Be careful of sharp edges of blade.

2. Position wood and unscrew flange nut counterclockwise with a 18 mm wrench.
3. Note the orientation of each part as you remove it. Remove nut **19**. Pull off washer **20**, the blade insulator **21**, and the blade **22**. Examine all pieces for damage and replace if necessary.

**NOTE:** The fan **23** should not be able to be removed.

4. To reassemble, slide the blade on. It can only be attached to the fan in one direction and location. Line up the D-shaped hole of the blade with the D-shaped post of the fan, ensuring the writing on the blade faces out away from the mower. Place the insulator on the blade so that the two outer ribs extend past the blade. Place the square washer on top of the insulator so that it sits inside of the two outer ribs on the insulator. Replace the nut with the wide side against the washer.
5. To tighten firmly, position the piece of wood to keep the blade from turning. Secure nut with the wrench.



### Blade Sharpening (Fig. N)

KEEP BLADE SHARP FOR BEST MOWER PERFORMANCE. A DULL BLADE DOES NOT CUT GRASS CLEANLY.

- ⚠ WARNING:** Use gloves and proper eye protection while removing, sharpening, and installing blade.

Sharpening the blade twice during a mowing season is usually sufficient under normal circumstances. Sand causes the blade to dull quickly. If your lawn has sandy soil, more frequent sharpening may be required. **REPLACE BENT OR DAMAGED BLADE IMMEDIATELY.**

#### When Sharpening the Blade

- Make sure blade remains balanced.
- Sharpen blade at the original cutting angle.
- Sharpen cutting edges on both ends of blade, removing equal amounts of material from both ends.

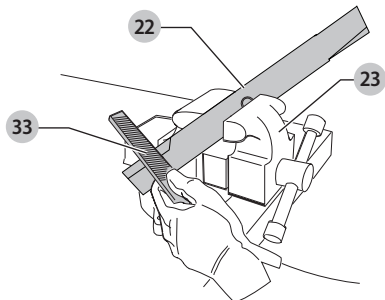
#### To Sharpen Blade in a Vise (Fig. N)

1. Be sure the bail handle is released, the blade has stopped and the mower is unplugged before removing the blade.
2. Remove blade from mower. See instructions for **Removing and Installing Blade**.
3. Secure blade **22** in a vise **23**.



4. Wear proper eye protection and gloves and be careful not to cut yourself.
5. Carefully file the cutting edges of the blade with a fine tooth file **33** or sharpening stone, maintaining the angle of the original cutting edge.
6. Check balance of blade. See instructions for **Blade Balancing**.
7. Replace blade on mower and tighten securely.

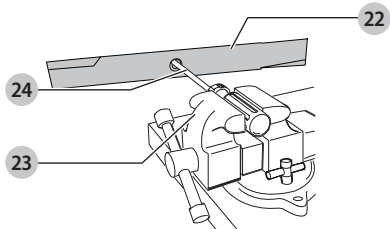
Fig. N



## Blade Balancing (Fig. 0)

Check balance of the blade **22** by placing center hole in the blade over a nail or round screwdriver **24**, clamped horizontally in a vise **23**. If either end of the blade rotates downward, file along the sharp edge of that dropping end. Blade is properly balanced when neither end drops.

Fig. 0



## Storage (Fig. A, P)

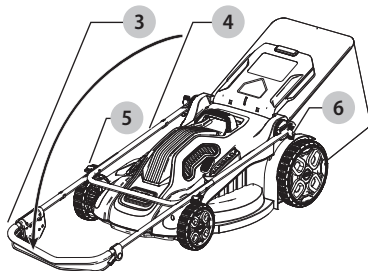
- !** **WARNING:** Rotating blade can cause serious injury. Release bail handle to turn mower off and unplug mower before lifting, transporting, or storing the mower. Store in a dry place.
- !** **CAUTION:** Pinch point. To avoid being pinched, keep fingers away from area between handles when folding down handles.
- !** **CAUTION:** Make sure cord does not become stretched or pinched in the joints of the handles during folding. This can cause damage to the cord.

The handle of the mower can be easily folded down for quick and convenient storage.

1. Holding onto the handle, open, but do not remove, the lower-handle attachment knobs **6** and fold the handle to the front of the mower.

2. Open, but do not remove, the upper handle attachment knobs **5**, or loosen the knobs, and fold the upper handle **3** back over the lower handle **4**.
3. The mower should be compacted down as shown in Figure P.

Fig. P



## Accessories

- !** **WARNING:** Since accessories, other than those offered by BLACK+DECKER, have not been tested with this product, use of such accessories with this tool could be hazardous. To reduce the risk of injury, only BLACK+DECKER recommended accessories should be used with this product.

Recommended accessories for use with your tool are available at extra cost from your local dealer or authorized service center. If you need assistance in locating any accessory, please contact BLACK+DECKER 1-800-544-6986.

## Cleaning

- !** **WARNING:** Blow dirt and dust out of all air vents with clean, dry air at least once a week. To minimize the risk of eye injury, always wear ANSI Z87.1 approved eye protection when performing this procedure.
- !** **WARNING:** Never use solvents or other harsh chemicals for cleaning the non-metallic parts of the tool. These chemicals may weaken the plastic materials used in these parts. Use a cloth dampened only with water and mild soap. Never let any liquid get inside the tool; never immerse any part of the tool into a liquid.

## Repairs

- !** **WARNING:** To assure product SAFETY and RELIABILITY, repairs, maintenance and adjustment (including power cord repairs, and brush inspection and replacement, when applicable) should be performed by a BLACK+DECKER factory service center or a BLACK+DECKER authorized service center. Always use identical replacement parts.

## Preventing Corrosion (Fig A)

Fertilizers and other garden chemicals contain agents which greatly accelerate the corrosion of metals. If you mow in areas where fertilizers or chemicals have been used, the mower should be cleaned immediately afterward as follows: Release bail handle **2** to turn mower off and unplug mower. Wipe all exposed parts with a damp cloth.



**CAUTION:** DO NOT POUR OR SPRAY WATER ON THE MOWER IN AN ATTEMPT TO CLEAN IT. Do not store the tool on or adjacent to fertilizers or chemicals. Such storage can cause rapid corrosion.

## Meets CPSC Safety Requirements

BLACK+DECKER Mowers conform to the safety standards of the American National Standards Institute, and the U.S. Consumer Product Safety Commission. The Blade turns when the motor is running.

## Register Online

Thank you for your purchase. Register your product now for:

- **WARRANTY SERVICE:** Registering your product will help you obtain more efficient warranty service in case there is a problem with your product.
- **CONFIRMATION OF OWNERSHIP:** In case of an insurance loss, such as fire, flood or theft, your registration of ownership will serve as your proof of purchase.
- **FOR YOUR SAFETY:** Registering your product will allow us to contact you in the unlikely event a safety notification is required under the Federal Consumer Safety Act.

Register online at [www.BlackandDecker.com/NewOwner](http://www.BlackandDecker.com/NewOwner)

## TWO-YEAR LIMITED WARRANTY

Black & Decker (U.S.) Inc. warranties this product to be free from defects in material or workmanship for a period of two (2) years following the date of purchase, provided that the product is used in a home environment. This limited warranty does not cover failures due to abuse, accidental damage or when repairs have been made or attempted by anyone other than BLACK+DECKER and its Authorized Service Centers. A defective product meeting the warranty conditions set forth herein will be replaced or repaired at no charge in either of two ways:

The first, which will result in exchanges only, is to return the product to the retailer from whom it was purchased (provided that the store is a participating retailer). Returns should be made within the time period of the retailer's policy for exchanges. Proof of purchase may be required. Please check with the retailer for its specific return policy regarding time limits for returns or exchanges. The second option is to take or send the product (prepaid) to a BLACK+DECKER owned or authorized Service Center for repair or replacement at BLACK+DECKER's option. Proof of purchase may be required. BLACK+DECKER owned and authorized service centers are listed online at [www.blackanddecker.com](http://www.blackanddecker.com). This warranty does not apply to

accessories. This warranty gives you specific legal rights and you may have other rights which vary from state to state or province to province. Should you have any questions, contact the manager of your nearest BLACK+DECKER Service Center. This product is not intended for commercial use, and accordingly, such commercial use of this product will void this warranty. All other guarantees, express or implied, are hereby disclaimed.

**LATIN AMERICA:** This warranty does not apply to products sold in Latin America. For products sold in Latin America, check country specific warranty information contained in the packaging, call the local company or see the website for such information.


Imported by Black & Decker (U.S.) Inc.,  
701 E. Joppa Rd.  
Towson, MD 21286



BlackandDecker.com  
(1-800-433-9258)



## TROUBLESHOOTING GUIDE

 **DANGER:** To reduce the risk of serious personal injury, turn unit off and disconnect it from power source before making any adjustments or removing/installing attachments or accessories. An accidental start-up can cause injury.

For assistance with your product call BLACK+DECKER at 1-800-544-6986.

PROBLEM	SOLUTION
Mower doesn't run when bail handle is activated	Check to make sure mower is properly plugged in and that the button on switch box is being completely depressed before pulling the bail handle. Release bail handle to turn mower off. Unplug mower. Turn mower over and check that blade is free to turn.
Motor stops while mowing	Release bail handle to turn mower off. Unplug mower. Turn mower over and check that blade is free to turn. Raise cutting height of wheels to highest position and start mower. Avoid overloading the mower. Slow down the cutting pace, or raise the cut height.
Mower runs but cutting performance is unsatisfactory, or does not cut entire lawn	Release bail handle to turn mower off. Turn mower over and check: Blade for sharpness - Keep blade sharp. Deck and discharge chute for clogging. Wheel height adjustment may be set too low for grass condition. Raise cutting height.
Mower is too hard to push	Release bail handle to turn mower off. Unplug mower. Raise cutting height to reduce deck drag on grass. Check each wheel for free rotation.
Mower is abnormally noisy and vibrates	Release bail handle to turn mower off. Unplug mower. Turn mower on side and check blade to ensure it has not been bent or damaged. If blade is damaged, replace with a BLACK+DECKER replacement blade. If the underside of the deck is damaged, return mower to a BLACK+DECKER Authorized service center. If there is no visible damage to the blade and the mower still vibrates: Release bail handle to turn mower off, unplug mower, disassemble entire blade assembly as described in the <b>Removing and Installing Blade</b> section. Remove any debris and clean each piece. Replace each piece as described in the <b>Removing and Installing Blade</b> section. If mower still vibrates, return the mower to an authorized BLACK+DECKER authorized service center.
Mower not picking up clippings with bag	Chute clogged. Release bail handle to turn mower off. Unplug mower. Clear chute of grass clippings. Raise cutting height of wheels to shorten length of the cut. Bag full. Empty bag more often.

## Définitions : symboles et termes d'alarmes sécurité

Ces guides d'utilisation utilisent les symboles et termes d'alarmes sécurité suivants pour vous prévenir de situations dangereuses et de risques de dommages corporels ou matériels.

**!** **DANGER** : indique une situation dangereuse imminente qui, si elle n'est pas évitée, **entraînera la mort ou des blessures graves**.

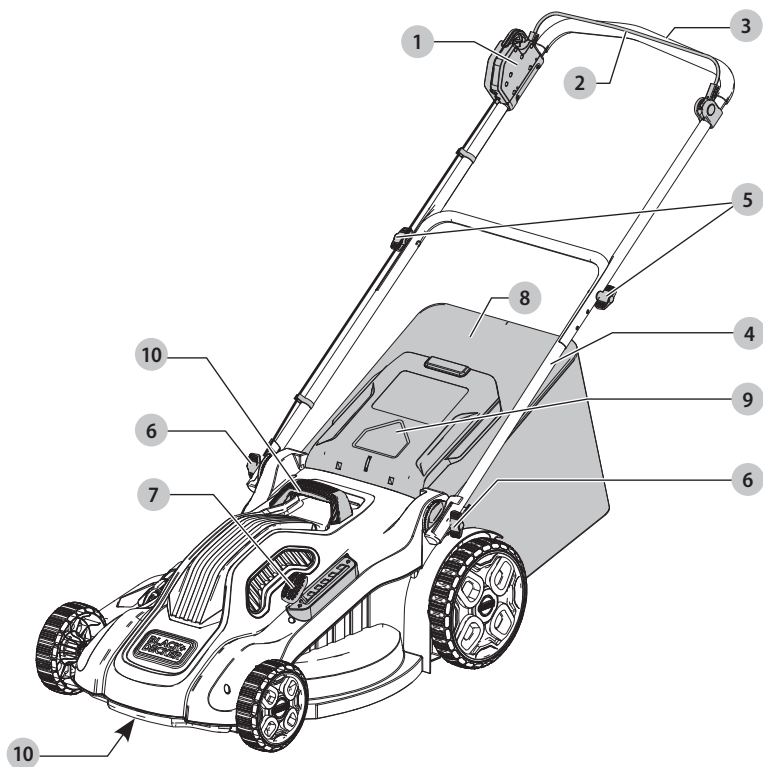
**!** **AVERTISSEMENT** : indique une situation potentiellement dangereuse qui, si elle n'est pas évitée, **pourrait entraîner la mort ou des blessures graves**.

**!** **ATTENTION** : indique une situation potentiellement dangereuse qui, si elle n'est pas évitée, **pourrait entraîner des blessures légères ou modérées**.

**!** (Si utilisé sans aucun terme) Indique un message propre à la sécurité.

**AVIS** : indique une pratique ne posant **aucun risque de dommages corporels** mais qui par contre, si rien n'est fait pour l'éviter, **pourrait poser des risques de dommages matériels**.

Fig. A



### DESCRIPTION

- 1 BOÎTIER DE commande
- 2 Anse
- 3 Poignée supérieure
- 4 Poignée inférieure
- 5 Bouton de la poignée supérieure
- 6 Bouton de la poignée inférieure
- 7 Levier de réglage de la hauteur de coupe
- 8 Sac de collecte du gazon
- 9 Capot de la porte arrière
- 10 Poignée de transport

**!** **AVERTISSEMENT** : lire tous les avertissements de sécurité et toutes les directives. Le non-respect des avertissements et des directives pourrait se solder par un choc électrique, un incendie et/ou une blessure grave.

**!** **AVERTISSEMENT** : afin de réduire le risque de blessures, lire le mode d'emploi de l'outil.

**Pour toute question ou remarque au sujet de cet outil ou de tout autre outil BLACK+DECKER composez le numéro sans frais : 1-800-544-6986/1-800-544-6986.**

## AVERTISSEMENTS DE SÉCURITÉ IMPORTANTES ET INSTRUCTIONS



**AVERTISSEMENT :** afin de réduire le risque de blessure :

- Avant toute utilisation, assurez-vous que toutes les personnes qui utiliseront cet outil lisent et comprennent toutes les consignes de sécurité et les autres renseignements compris dans le présent manuel.
- Conservez ces instructions et passez-les en revue fréquemment avant l'utilisation et la formation d'autres personnes.
- Lors de l'utilisation de tondeuses à gazon électriques, les mesures de précaution de base devraient toujours être prises pour réduire le risque d'incendie, de choc électrique et de blessures, incluant ce qui suit

### LISEZ TOUTES LES INSTRUCTIONS

## INSTRUCTIONS ET AVERTISSEMENTS DE SÉCURITÉ GÉNÉRAUX POUR TOUS LES OUTILS

- **Cet outil peut être dangereux.** Suivez tous les avertissements et toutes les instructions de sécurité dans ce manuel. L'utilisateur est responsable de suivre les avertissements et instructions de ce manuel et sur l'appareil. Limitez l'utilisation de cette tondeuse aux personnes qui lisent, comprennent et suivent les avertissements et les instructions de ce manuel et sur l'appareil.
- **Évitez les environnements dangereux.** Ne pas utiliser des tondeuses dans des endroits humides ou mouillés.
- **Ne pas utiliser sous la pluie.**
- **Gardez les enfants éloignés.** Tous les visiteurs devraient être gardés à une distance sécuritaire de l'aire de travail.
- **Portez des vêtements appropriés.** Ne pas porter des vêtements amples ou des bijoux. Ils peuvent se coincer dans les pièces qui se déplacent. L'utilisation de gants en caoutchouc et de chaussures est recommandée lors du travail extérieur.
- **Utilisez des lunettes de sécurité.** Utilisez un masque facial ou antipoussières s'il y a de la poussière durant l'utilisation.
- **Utilisez le bon outil.** Ne pas utiliser la tondeuse à gazon pour toute tâche autre que celles pour lesquelles elle est conçue.
- **La protection du disjoncteur différentiel de fuite à la terre (DDFT) doit être fournie sur le(s) circuit(s) ou les prise(s) pour être utilisée avec la tondeuse.** Les connecteurs femelles sont disponibles avec une protection

DDFT intégrée et peuvent être utilisés pour cette mesure de sécurité.

- **Vérifiez s'il y a des pièces endommagées.** Avant toute utilisation ultérieure de la tondeuse, un protecteur ou une autre pièce qui est endommagé doit être soigneusement vérifié afin de déterminer s'il fonctionnera correctement et s'il effectuera la fonction prévue. Vérifiez l'alignement des pièces qui se déplacent, les fixations des pièces qui se déplacent, le bris des pièces, le montage et tout autre état qui peut affecter leur utilisation. Un protecteur ou une autre pièce qui est endommagé doit être convenablement réparé ou remplacé par un centre de services autorisé sauf indication contraire dans ce manuel.
- **Réparations et service.** Les réparations, l'entretien et les ajustements non énumérés dans ce guide doivent être effectués dans des centres de services autorisés ou des entreprises de service qualifiées, toujours en utilisant des pièces de remplacement identiques.



**AVERTISSEMENT** – Afin de prévenir le risque de choc électrique, utilisez seulement avec une rallonge conçue pour l'utilisation à l'extérieur, comme SW, SOW, STW, STOW, SJW, SJOW, SJTW ou SJTOW.

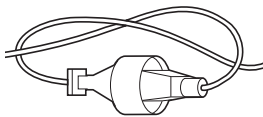


**AVERTISSEMENT** – Rallonge : Assurez-vous que votre rallonge est en bon état. Lorsque vous utilisez une rallonge, assurez-vous d'utiliser un calibre suffisamment lourd pour faire circuler le courant qui sera acheminé au produit. Pour les cordons de taille appropriée, consultez le tableau ci-dessous. Un cordon de taille inférieure entraînera une chute de tension de secteur ce qui causera une perte de puissance et une surchauffe. Afin de réduire la possibilité de débranchement du cordon de la tondeuse à gazon au niveau de la rallonge durant le fonctionnement.

Calibres minimums pour rallonges électriques					
Volts		Longueur totale de la rallonge en pieds (mètres)			
120 V		25 (7,6)	50 (15,2)	100 (30,5)	150 (45,7)
240 V		50 (15,2)	100 (30,5)	200 (61,0)	300 (91,4)
Courant nominal		AWG (American Wire Gauge)			
Plus de	Pas plus de				
0	6	18	16	16	14
6	10	18	16	14	12
10	12	16	16	14	12
12	16	14	12	Non recommandé	

- i) Faites un nœud comme illustré dans la figure B; ou  
ii) Utilisez une des sangles de fixation du connecteur femelle de la fiche ou les connecteurs décrits dans ce guide.

Fig. B



- **Des dispositifs permettant de retenir les rallonges sont disponibles.**
- **Ne pas abuser du cordon.** Ne jamais tirer la tondeuse à gazon par le cordon ou tirer celui-ci d'un coup sec pour le débrancher de la prise. Gardez le cordon hors de portée de la chaleur, de l'huile, les bords coupants.
- **Ne pas forcer la tondeuse.** Elle travaillera mieux et sera plus sécuritaire à la vitesse pour laquelle elle a été conçue.
- **Ne pas s'étirer.** Maintenez vos pieds bien d'aplomb sur le sol et un bon équilibre en tout temps.
- **Demeurez vigilant.** Regardez ce que vous faites. Faites preuve de bon sens. Ne pas utiliser la tondeuse lorsque vous êtes fatigué.
- **Débranchez la tondeuse.** Débranchez la tondeuse à gazon de l'alimentation de la tondeuse lorsque vous ne l'utilisez pas, avant de réparer, lorsque vous changez les accessoires comme les lames et autres.
- **Entreposez la tondeuse à gazon arrêtée à l'intérieur.** Lorsqu'elle n'est pas utilisée, la tondeuse à gazon doit être entreposée à l'intérieur dans un endroit sec et verrouillé hors de portée des enfants. Retirez la clé de sûreté
- **Entretenez soigneusement la tondeuse à gazon.** Gardez bords coupants aiguisés et propre pour la meilleure performance et la plus sécuritaire. Pour lubrifier l'outil et remplacer les accessoires, suivez les directives du manuel. Inspectez régulièrement le cordon de la tondeuse à gazon et s'il est endommagé, faites-le réparer dans un établissement de services autorisé. Inspectez régulièrement les rallonges et remplacez-les si elles sont endommagées. Gardez vos mains sèches, propres et exemptes de graisse et de poussière.
- **Maintenez les protecteurs en place en bon état de fonctionnement.**
- **Gardez les lames aiguisées.**
- **Gardez vos mains et vos pieds à distance de la zone de coupe.**
- **Les objets frappés par la lame de la tondeuse à gazon peuvent causer des blessures graves à des personnes.** Le gazon doit toujours être soigneusement examiné et libre de tout objet avant chaque tonte.
- **Si la tondeuse à gazon frappe un objet étranger, suivez ces étapes :**
  1. Arrêtez la tondeuse à gazon. Relâchez l'anse.
  2. Débranchez le cordon d'alimentation.
  3. Inspectez pour tout dommage.
  4. Réparez tout dommage avant de redémarrer et d'utiliser la tondeuse à gazon.

- **Utilisez seulement des lames de remplacement identiques.**

## Rallonges

Utilisez seulement des rallonges à trois files ayant des files de type mise à la terre à trois broches et des prises de courant à trois pôles qui acceptent la fiche de la tondeuse à gazon.

## Pour toutes les tondeuses à gazon à isolation double

### Pièces de remplacement

Lorsque vous effectuez des réparations, utilisez seulement des pièces de remplacement identiques.

### Connexions polarisées de l'appareil

Pour réduire le risque de choc électrique, cet appareil est muni d'une fiche polarisée (une lame est plus large que l'autre) et nécessitera l'utilisation d'une rallonge polarisée. La fiche de l'appareil ne pourra être branchée dans la prise murale polarisée que dans un sens. Si la fiche ne s'insère pas dans la prise de la rallonge, inversez-la. Si la fiche ne s'insère toujours pas, procurez-vous la bonne rallonge polarisée. Une rallonge polarisée nécessitera l'utilisation d'une prise murale polarisée. Celle-ci ne pourra être branchée dans la prise murale polarisée que dans un sens. Si la fiche ne s'insère pas dans la prise murale, inversez-la. Si elle ne s'insère toujours pas, appelez un électricien accrédité pour installer une prise murale adéquate. Ne jamais modifier la fiche de l'équipement, la prise femelle ou la fiche de la rallonge de quelque façon que ce soit.

## CONSERVEZ CES INSTRUCTIONS

### Important

#### Pratiques sécuritaires pour les tondeuses à pousser

Cette machine peut amputer les mains et les pieds et projeter des objets. Ne pas respecter les instructions de sécurité suivantes pourrait entraîner une blessure grave ou la mort.

#### Renseignements généraux

1. Lisez, comprenez et suivez les instructions et les avertissements dans ce guide et sur la machine, le moteur et les accessoires.
2. Permettez seulement aux utilisateurs, qui sont responsables, formés, qui connaissent bien les instructions et ayant les capacités physiques nécessaires d'utiliser la machine.
3. Ne pas utiliser la machine lorsque vous êtes sous l'influence de l'alcool ou de la drogue.

#### Préparation avant l'utilisation

1. Retirez tout objet de la zone d'utilisation qui pourrait être projeté ou nuire à l'utilisation de la machine.
2. Gardez tous les passants à l'écart de la zone d'utilisation, particulièrement les jeunes enfants. Arrêtez la machine et les accessoires si quelqu'un entre dans la zone.
3. Ne pas faire fonctionner la machine sans tout le sac à herbe, le conduit d'éjection ou autres dispositifs de

sécurité en place et fonctionnant correctement. Vérifiez régulièrement les signes d'usure ou de détérioration et remplacer s'il y a lieu.

- Portez un équipement de protection individuel approprié comme des lunettes de sécurité, une protection auditive et des chaussures.

## Utilisation

- Utilisez seulement la machine en plein jour ou avec une bonne lumière artificielle.
- Évitez les trous, les ornières, les bosses, les roches ou d'autres dangers cachés. Un terrain inégal faire renverser la machine ou faire sorte que l'utilisateur perde son équilibre ou son aplomb.
- Ne pas mettre les mains ou les pieds près des pièces en rotation ou sous la machine. Tenez-vous éloigné de l'ouverture d'éjection en tout temps.
- Ne pas diriger la matière rejetée vers quiconque. Évitez de rejeter la matière contre un mur ou une obstruction. La matière peut ricocher vers l'utilisateur. Arrêtez les lames lorsque vous traversez des surfaces en gravier.

## Concernant les enfants

- Des accidents tragiques peuvent se produire si l'utilisateur ne fait pas attention à la présence des enfants. Les enfants sont souvent attirés par la machine et l'activité de tonte. Ne jamais présumer que les enfants demeureront à l'endroit où vous les avez vus la dernière fois.
- Gardez les enfants hors de la zone d'utilisation et sous la vigilance d'un adulte responsable autre que l'utilisateur.

## Concernant les pentes

- Les pentes sont un facteur important lié aux accidents. L'utilisation sur les pentes nécessite une prudence accrue.
- Déplacez-vous dans la direction recommandée par le fabricant sur les pentes. Soyez prudent lorsque vous utilisez la tondeuse près de ruptures de pente.
- Évitez de tondre le gazon mouillé. (Si vos pieds ne sont pas d'aplomb, cela pourrait entraîner un glissement et une chute accidentelle.)
- Ne pas utiliser la machine dans le cas où la traction, la direction ou la stabilité remise en question. La tondeuse pourrait glisser même si les roues sont arrêtées.
- Évitez les démarrages ou les arrêts sur les pentes. Évitez de changer soudainement de vitesse ou de direction. Tournez lentement et graduellement.
- Soyez très prudent lorsque vous utilisez la machine avec un sac à herbe ou un (des) autre(s) accessoire(s). Ils peuvent affecter la stabilité de la machine.

## Réparer

- Gardez la machine en bon état de fonctionnement. Remplacez les pièces usées ou endommagées.
- Soyez prudent lorsque vous entretenez les lames. Enveloppez la (les) lame(s) ou portez des gants. Remplacez les lames endommagées. Ne pas réparer ou altérer la (les) lame(s).

## Les éléments suivants sont des explications des symboles de danger et sécurité importants sur la tondeuse.



L'utilisateur doit lire et comprendre le manuel d'instructions.



Afin d'éviter le risque de blessure grave, ne pas tondre les pentes vers le haut et vers le bas. Tondez toujours en travers de pentes.



Afin d'éviter le risque de blesser les passants, gardez toutes les personnes et tous les animaux à une distance sécuritaire de la tondeuse durant l'utilisation.



Les lames en rotation peuvent causer de graves blessures. Gardez les mains et les pieds loin du châssis de la tondeuse et de l'ouverture d'éjection en tout temps. Relâchez l'anse pour éteindre la tondeuse et attendez que la lame cesse de tourner (environ 3 secondes) et retirez la clé de sûreté et retirez les blocs-pile avant de retirer et de reposer le collecteur d'herbe, de nettoyer, d'entretenir, de transporter ou de soulever la tondeuse.



Les objets frappés par la lame de la tondeuse peuvent causer une blessure grave. Restez derrière la poignée lorsque le moteur fonctionne. Assurez-vous toujours que les personnes et les animaux sont éloignés de l'éjection provenant de la tondeuse durant l'utilisation. Inspectez toujours la zone de tonte avant de tondre et retirez les objets qui pourraient être projetés par la lame. Relâchez l'anse pour éteindre la tondeuse et attendez que la lame cesse de tourner (environ 3 secondes) avant de traverser le trottoir, les routes, le patio et les entrées en gravier.

## Consigne de sécurité supplémentaire



**AVERTISSEMENT :** porter **SYSTEMATIQUEMENT** des lunettes de protection. Les lunettes courantes **NE** sont PAS des lunettes de protection. Utiliser aussi un masque antipoussières si l'opération est poussiéreuse. **PORTER SYSTEMATIQUEMENT UN ÉQUIPEMENT DE SÉCURITÉ HOMOLOGUÉ :**

- Protection oculaire ANSI Z87.1 (CAN/CSA Z94.3) ;
- Protection auditive ANSI S12.6 (S3.19) ;
- Protection des voies respiratoires NIOSH/ OSHA/ MSHA.



**AVERTISSEMENT :** certaines poussières produites par ce produit contiennent des produits chimiques reconnus par l'État de la Californie comme pouvant causer le cancer, les anomalies congénitales et d'autres dangers pour la reproduction. Voici quelques exemples de ces produits chimiques :

- composés présents dans les engrais

- composés présents dans les insecticides, herbicides et pesticides
- arsenic et chrome provenant de bois traité chimiquement

Pour réduire votre exposition à ces produits chimiques, porter un équipement de sécurité approuvé comme un masque antipoussières conçu pour filtrer les particules microscopiques.

L'étiquette apposée sur votre outil peut inclure les symboles suivants. Les symboles et leur définition sont indiqués ci-après :

V..... volts	W..... watts
Hz..... hertz	~ or AC..... courant alternatif
min..... minutes	⎓ or AC/DC..... courant alternatif ou continu
— or DC..... courant continu	□..... fabrication classe II (double isolation)
Ⓜ..... fabrication classe I (mis à la terre)	n <sub>0</sub> ..... vitesse à vide
.../min..... par minute	n..... vitesse nominale
BPM..... battements par minute	⊕..... borne de terre
IPM..... impacts par minute	⚠..... symbole d'avertissement
RPM..... révolutions par minute	⚠..... radiations visibles
sfpm (plpm)..... pieds linéaires par minute	☉..... protection respiratoire
SPM (FPM)..... fréquence par minute	👁..... protection oculaire
OPM..... oscillations par minute	👂..... protection auditive
A..... ampères	📄..... lire toute la documentation
IPXX..... symbole IP	

**⚠ AVERTISSEMENT :** avant l'assemblage, s'assurer que la poignée de la poignée est relâchée et que la tondeuse est débranchée.

## Ajuster la poignée inférieure (Fig. A, C)

Il y a 2 hauteurs de fonctionnement pour la poignée afin de répondre aux besoins des utilisateurs multiples.

1. Levez la poignée inférieure 4 en place.
2. Alignez la flèche 11 à la base de la tondeuse avec 1 ou 2 à la base de la poignée.

**⚠ ATTENTION :** s'assurer que chaque côté de la poignée inférieure est aligné sur le même numéro. La flèche doit être alignée sur le numéro 1 ou 2 en vue de l'utilisation.

3. Serrez les boutons d'ajustement de la hauteur de la poignée 6. Lorsque vous fermez chacun d'entre eux, assurez-vous que les dents 12 sont engagées. Serrez les boutons de la poignée inférieure afin de sécuriser la poignée inférieure en place.

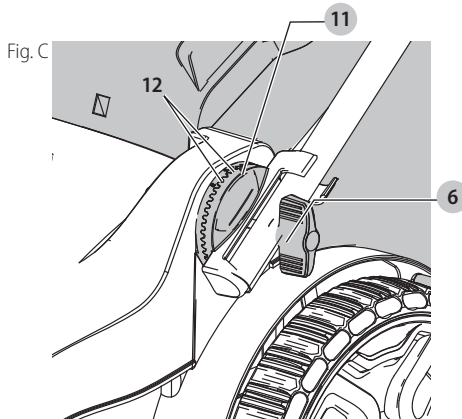


Fig. C

## CONSERVER CES CONSIGNES POUR UTILISATION ULTÉRIEURE

### DESCRIPTION (FIG. A)

#### Moteur

S'assurer que le bloc d'alimentation est compatible avec l'inscription de la plaque signalétique. Une diminution de tension de plus de 10 % provoquera une perte de puissance et une surchauffe. Les outils sont testés en usine ; si cet outil ne fonctionne pas, vérifier l'alimentation électrique.

#### Usage prévu

Cette tondeuse a été conçue pour un usage domestique.

**NE PAS** les utiliser en milieu ambiant humide ou en présence de liquides ou de gaz inflammables.

**NE PAS** le laisser à la portée des enfants. Une supervision est nécessaire auprès de tout utilisateur non expérimenté.

### ASSEMBLAGE ET AJUSTEMENTS

**⚠ AVERTISSEMENT :** afin de réduire le risque de blessure corporelle, éteignez l'appareil et débranchez-le la source d'alimentation avant d'effectuer tout ajustement ou de retirer/installer des pièces ou des accessoires. Un déclenchement accidentel du démarrage peut causer des blessures.

## Fixer/Ajuster la poignée supérieure (Fig. A, D)

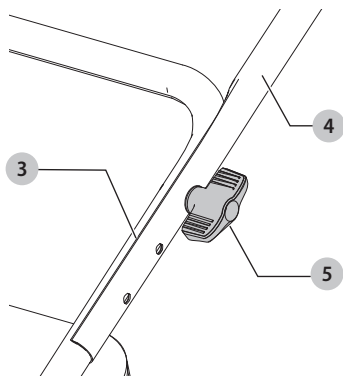
1. Retirez les boutons de fixation de la poignée supérieure 5, des rondelles, et les boulons de la poignée.
2. Alignez les trous en bas de la poignée supérieure 3 avec un des trois trous en hauteur de la poignée au-dessus de la poignée inférieure 4.

**REMARQUE :** assurez-vous que le cordon est situé devant les deux poignées. Si ce n'est pas le cas, cela peut entraîner l'emmêlement et l'incapacité de ranger facilement la tondeuse.

3. Ajustez la pièce de la poignée supérieure à la poignée inférieure à l'aide des boutons de poignée 5, des rondelles et les boulons.
4. Depuis le côté extérieur de la poignée supérieure 3, insérer le boulon du levier dans les orifices.
5. Poser la rondelle sur les boutons de fixation de la poignée supérieure, puis assembler le tout avec l'écrou sans trop serrer.
6. Tourner la poignée supérieure à la position de fonctionnement.

7. Serrez les boutons de la poignée supérieure. Si les boutons de la poignée supérieure est trop serré ou qu'il n'est pas assez, utilisez les boutons de fixation de la poignée supérieure pour ajuster le niveau de serrage. Ils doivent être assez serrés pour que les poignées soient solides.

Fig. D



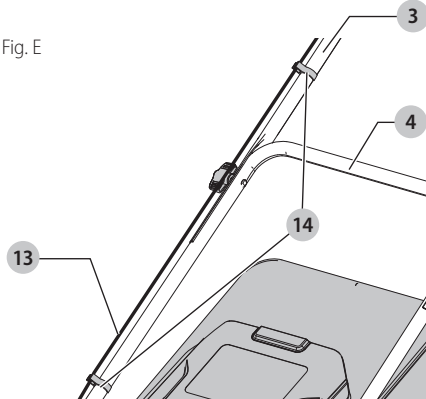
### Fixation du câble du moteur (Fig. E)

- ⚠ ATTENTION :** attachez le câble afin qu'il ne devienne pas tendue ou coince dans les articulations des poignées à l'utilisation ou pliage. Cela pourrait endommager le cordon.

Le câble du moteur **13** doit être fixé aux poignées avec les dispositifs de retenue **14** qui sont déjà attachés aux poignées.

1. Placez les poignées en position d'utilisation, consultez la section **Ajuster la poignée inférieure**.
2. Passez le câble à l'avant des poignées supérieure **4** et inférieure **3**.
3. Tirer le dispositif de retenue du câble vers l'arrière.
4. Glisser le câble du moteur sous la pince et s'assurer qu'il est bien maintenu en place par le dispositif de retenue.

Fig. E

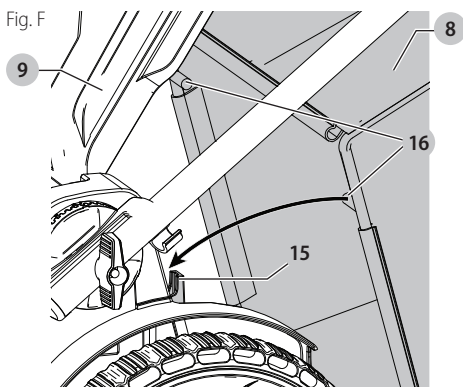


### Ensachage (Fig. F)

1. Soulever le panneau/volet arrière **9** et placer le sac collecteur d'herbe **8** sur la tondeuse de façon à ce

que les crochets du sac **15** reposent sur les pattes **16**.  
Abaisser ensuite le panneau/volet arrière.

Fig. F



### Écran protecteur et panneau arrière (Fig. A)

L'écran protecteur est conçu pour réduire au minimum la projection arrière par la lame de la tondeuse de pierres ou d'autres objets provenant de sous le châssis.

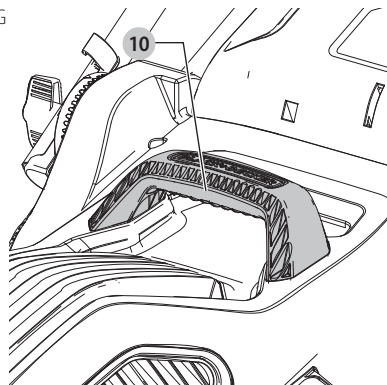
L'écran protecteur de même que le panneau arrière **9** réduisent la possibilité d'un contact accidentel du pied avec la lame. NE PAS utiliser la tondeuse sans l'écran protecteur et le panneau arrière en position.

### Transport de la tondeuse (Fig. A, G)

- ⚠ DANGER :** DES LAMES EN MOUVEMENT (ROTATION) RISQUENT DE PROVOQUER DE GRAVES BLESSURES. POUR PRÉVENIR DE GRAVES BLESSURES, DÉBRANCHER LA TONDEUSE LORSQU'ELLE EST SANS SURVEILLANCE OU LORS DU NETTOYAGE, DES RÉPARATIONS, DU TRANSPORT, DU SOULÈVEMENT OU DU RANGEMENT.

Transporter la tondeuse par les poignées de transport **10** commodes comme le montre la figure G. NE PAS essayer de soulever la tondeuse par la poignée supérieure **3** ou la poignée inférieure **4**.

Fig. G





## FONCTIONNEMENT

**AVERTISSEMENT :** afin de réduire le risque de blessure corporelle, éteignez l'appareil et débranchez-le la source d'alimentation avant d'effectuer tout ajustement ou de retirer/installer des pièces ou des accessoires. Un déclenchement accidentel du démarrage peut causer des blessures.

**DANGER :** lame tranchante en mouvement. Apportez votre tondeuse au centre de services le plus près pour des réparations si la porte arrière ne se ferme.

**DANGER :** lame tranchante en mouvement. Ne jamais utiliser la tondeuse en mode sac à moins que les crochets de suspension sur le sac à herbe soient bien placés sur la tondeuse et que la porte d'éjection arrière demeure bien sur le dessus du sac à herbe puisque cela pourrait entraîner une blessure grave.

**DANGER :** lame tranchante en mouvement.

**DANGER :** les lames en rotation peuvent causer de graves blessures. Afin de prévenir une blessure, débranchez la tondeuse lorsqu'elle est laissée sans surveillance ou lorsque vous la nettoyez, réparez, transportez, levez ou entreposez.

**AVERTISSEMENT :** laissez la tondeuse fonctionner à son propre rythme. Ne pas surcharger.

LISEZ LE GUIDE D'UTILISATION AVANT D'UTILISER VOTRE TONDEUSE. Consultez **Composants** pour vous familiariser avec l'endroit où se situent les différentes commandes et les différents ajustements. Conservez ce guide pour référence ultérieure.

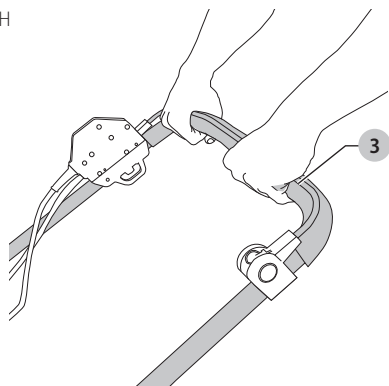
### Position correcte des mains (Fig. H)

**AVERTISSEMENT :** pour réduire tout risque de dommages corporels graves, adopter **SYSTÉMATIQUEMENT** la position des mains illustrée.

**AVERTISSEMENT :** pour réduire tout risque de dommages corporels graves, maintenir **SYSTÉMATIQUEMENT** l'outil fermement pour anticiper toute réaction soudaine.

Une position des mains adéquate nécessite les deux mains sur la poignée supérieure **3**.

Fig. H

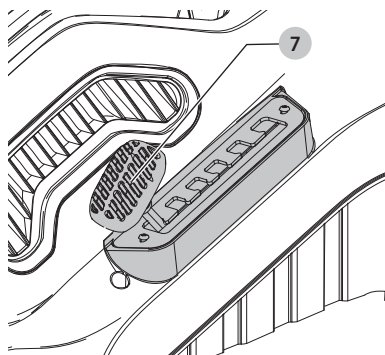


### Régler la hauteur de coupe de la tondeuse (Fig. I)

- Sortez sur le levier de réglage de la hauteur de coupe de tondeuse **7** du cran de verrouillage.
  - Déplacez le levier vers l'arrière de l'appareil pour baisser la hauteur de la coupe.
  - Déplacez le levier vers l'avant de l'appareil pour augmenter la hauteur de la coupe.
- Poussez le levier de réglage de la hauteur de coupe dans le cran de verrouillage 6.

**REMARQUE :** Si vous n'êtes pas certain à quelle hauteur couper, commencez la tonte avec le levier de réglage de la hauteur de coupe à la position 6 et ajustez la hauteur vers le bas au besoin.

Fig. I



### Démarrage de la tondeuse (Fig. J)

**DANGER :** lame mobile tranchante. Ne jamais essayer de neutraliser le fonctionnement du boîtier d'interrupteur. En effet, une telle pratique pourrait se solder par de graves blessures.

**AVERTISSEMENT :** ne jamais tenter de verrouiller un interrupteur ou l'anse en position de marche.

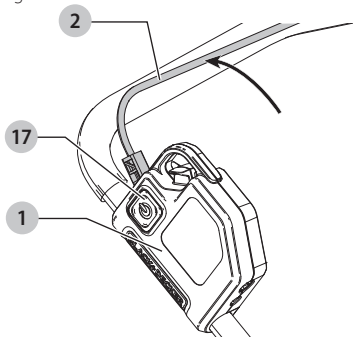
La tondeuse est dotée d'un boîtier d'interrupteur de marche-arrêt spécial.

- Pour utiliser la tondeuse, appuyez sur le bouton **17** sur le boîtier de commande **1**, puis tirez sur l'anse **2** vers la barre de la poignée. Relâchez le bouton et maintenez l'anse avec les deux mains.
- Pour arrêter la tondeuse, relâcher simplement l'anse.

**REMARQUE :** une fois l'anse en position de départ, elle actionne le « mécanisme de freinage automatique ». Le moteur est alors freiné électriquement et la lame de la tondeuse s'immobilisera en trois secondes ou moins.



Fig. J



## Tonte (Fig. K)

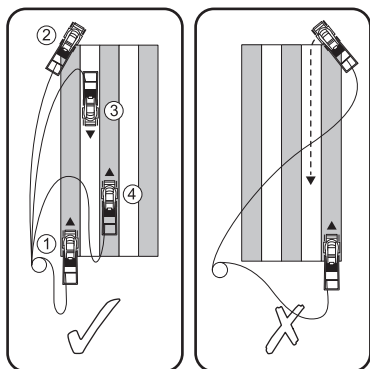
- ⚠ AVERTISSEMENT :** toujours inspecter le secteur où la tondeuse doit être utilisée et enlever les pierres, des bâtons, des fils, des os et des débris autre, susceptible d'être projetés par la lame rotative.

Nous vous recommandons d'utiliser votre tondeuse selon les instructions données dans cette section. Vous obtiendrez ainsi le meilleur résultat et réduirez le risque de couper le câble d'alimentation.

1. Placez la longueur de câble sur la pelouse, près du point de départ (Figure K, position 1).
2. Mettez l'appareil en marche, comme décrit ci-dessus.
3. Travaillez comme indiqué Figure K.
4. Passez de la position 1 à la position 2.
5. Tournez vers la droite en évitant le câble, puis passez à la position 3. La fixation du câble glisse d'un côté de la poignée à l'autre en s'assurant que le câble est éloigné de la lame.
6. Tournez vers la gauche en évitant le câble, puis passez à la position 4. La fixation du câble glisse d'un côté de la poignée à l'autre. Le câble doit resté éloigné de la lame.
7. Recommencez ce processus, si nécessaire.

- ⚠ AVERTISSEMENT :** ne roulez pas sur le câble, comme sur l'exemple de la Figure K.

Fig. K



## Conseils de tonte (Fig. A)

- ⚠ AVERTISSEMENT :** inspectez toujours la zone où la tondeuse doit être utilisée et retirez toutes les pierres, tous les bâtons, fils, os et autres débris qui peuvent être projetés par la lame en rotation.

- ⚠ AVERTISSEMENT :** tondez en vous déplaçant en travers des pentes, jamais vers le haut ou vers le bas. Soyez très prudent lorsque vous changez de direction sur les pentes. Ne pas tondez sur des pentes très raides. Maintenez toujours un bon aplomb.

- Relâchez l'anse pour éteindre la tondeuse lorsque vous croisez toute zone en gravier (les pierres peuvent être projetées par la lame).
- Réglez la tondeuse à la hauteur la plus haute lorsque vous tondez sur un sol accidenté ou des herbes hautes. Retirer trop d'herbes à la fois peut entraîner une surcharge et un arrêt du moteur. Consultez la section **Dépannage**.
- Si un sac de collecte du gazon **8** est utilisé durant la saison de croissance rapide, le gazon peut avoir tendance à obstruer l'ouverture d'éjection. Relâchez l'anse pour éteindre la tondeuse. Retirez le sac et secouez l'herbe vers l'extrémité arrière du sac. Nettoyez aussi l'herbe ou tout débris qui peut être entassé autour de l'ouverture d'éjection. Remplacez le sac à herbe.
- Si la tondeuse devait démarrer en vibrant de façon anormale, relâchez l'anse pour éteindre la tondeuse. Vérifiez immédiatement la cause. La vibration est un avertissement de problème. Ne pas utiliser la tondeuse jusqu'à ce qu'une vérification de services ait été effectuée. Consultez la section **Dépannage** dans ce manuel
- RETIREZ TOUJOURS L'ANSE POUR ÉTEINDRE LA TONDEUSE LORSQUE VOUS LA LAISSEZ SANS SURVEILLANCE MÊME POUR UNE COURTE PÉRIODE.

## Surcharge de la tondeuse

Afin de prévenir les dommages dus à des conditions de surcharge, ne pas tenter de retirer trop d'herbe à la fois. Ralentissez le rythme de votre coupe ou augmentez la hauteur de la coupe.

## MAINTENANCE

- ⚠ AVERTISSEMENT :** afin de réduire le risque de blessure corporelle, éteignez l'appareil et débranchez-le la source d'alimentation avant d'effectuer tout ajustement ou de retirer/installer des pièces ou des accessoires. Un déclenchement accidentel du démarrage peut causer des blessures.

## Retirer et installer la lame (Fig. L, M)

**! DANGER : RISQUE DE BLESSURE. LORSQUE VOUS RÉASSEMBLEZ LE SYSTÈME DE LAME, ASSUREZ-VOUS QUE CHAQUE PIÈCE EST RÉINSTALLÉE CORRECTEMENT, COMME DÉCRIT CI-DESSOUS. UN ASSEMBLAGE INAPPROPRIÉ DE LA LAME OU D'AUTRES PIÈCES DU SYSTÈME DE LAME PEUT CAUSER UNE BLESSURE GRAVE.**

1. Coupez une pièce de bois 2 x 4 **18** (environ 2 pieds de long) (610 mm) pour empêcher la lame de tourner lorsque vous retirez l'écrou de la bride **19**.

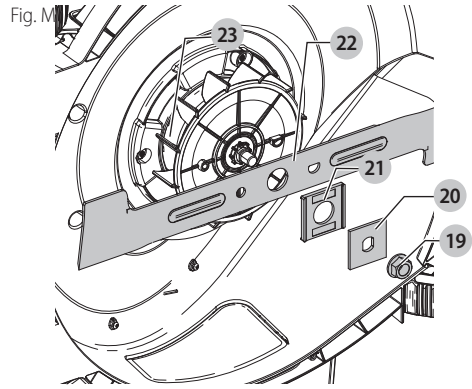
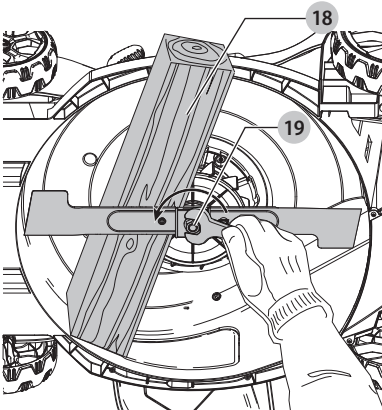
**! AVERTISSEMENT : utilisez des gants et une protection oculaire appropriée. Tournez la tondeuse sur le côté. Faites attention aux bords aiguisés de la lame.**

2. Placez le bois et dévissez l'écrou de la bride dans le sens contraire des aiguilles d'une montre avec une clé de 18 mm.
3. Noter l'orientation de chaque pièce lors de la dépose. Retirer l'écrou **19**. Enlever la rondelle **20**, l'isolant de la lame **21** et la lame **22** comme l'indique la Figure M. Examiner les défauts de toutes les pièces et les remplacer si nécessaire.

**REMARQUE :** Il ne devrait **23** pas être possible d'enlever le ventilateur.

4. Pour la pose, glisser simplement la lame en place. Elle se pose sur le ventilateur d'une seule manière et à un seul endroit. Aligner le trou en D de la lame sur la tige en D du ventilateur en veillant à ce que le texte sur la lame soit tourné vers l'extérieur de la tondeuse. Placer l'isolant sur la lame de sorte que les deux rebords extérieurs s'étendent au-delà de cette dernière. Placer la rondelle carrée sur le dessus de l'isolant, de sorte qu'elle entre à l'intérieur des deux rebords extérieurs de ce dernier. Remettre l'écrou, le côté large s'appuyant contre la rondelle.
5. Pour serrer fermement, positionner un morceau de bois comme le montre la figure L pour empêcher la lame de tourner. Serrer l'écrou à l'aide de la clé.

Fig. L



## Aiguiser la lame (Fig. N)

GARDEZ LA LAME AIGUISÉE POUR UNE MEILLEURE PERFORMANCE DE LA TONDEUSE. UNE LAME ÉMOUSSÉE NE COUPE PAS L'HERBE NETTEMENT.

**! AVERTISSEMENT : utilisez des gants et une protection oculaire appropriée pendant que vous retirez, aiguisiez et installez la lame. Assurez-vous que la clé de sûreté et le bloc-piles sont retirés.**

Aiguiser la lame deux fois par saison de tonte est habituellement suffisant en circonstances normales. Le sable cause l'érouissage rapide de la lame. Si le gazon a un sol sablonneux, aiguiser plus souvent peut être nécessaire.

**REPLACEZ IMMÉDIATEMENT UNE LAME PLIÉE OU ENDOMMAGÉE.**

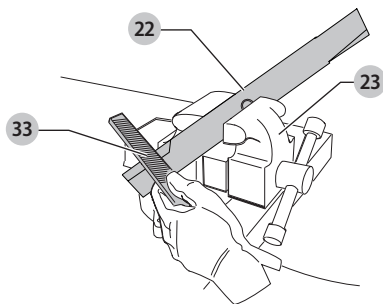
### Lorsque vous aiguiser la lame :

- Assurez-vous que la lame reste équilibrée.
- Aiguiser la lame dans l'angle de coupe original.
- Aiguiser les bords coupants aux deux extrémités de la lame, retirez une quantité égale de matière aux deux extrémités.

### Pour aiguiser la lame dans un étau (Fig. N)

1. Assurez-vous que l'anse est relâchée, que la lame est arrêtée avant de retirer la lame.
2. Retirez la lame de la tondeuse. Consultez les instructions pour **Retirer et installer la lame**.
3. Sécurisez la lame **22** dans un étau **23**.
4. Portez une protection oculaire et des gants appropriés et faites attention de ne pas vous couper.
5. Limez soigneusement les bords coupants de la lame avec une lime à dents fines **33** ou une pierre à aiguiser, en maintenant l'angle du bord de coupe original.
6. Vérifiez l'équilibre de la lame. Consultez les instructions pour **Équilibrer la lame**.
7. Remplacez la lame sur la tondeuse et vissez solidement.

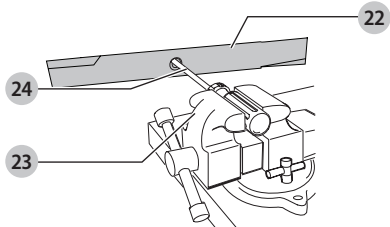
Fig. N



## Équilibrer la lame (Fig. 0)

Vérifiez l'équilibre de la lame **22** en plaçant le trou central de la lame sur un clou ou un tournevis rond **24**, fixé horizontalement dans un étau **23**. Si l'une ou l'autre des extrémités de la lame tourne vers le bas, limez le long du bord aiguisé de cette extrémité en baisse. La lame est bien équilibrée lorsqu'aucune des extrémités ne baisse.

Fig. O



## Rangement de la tondeuse (Fig. A, P)

**AVERTISSEMENT** : une lame rotative peut provoquer des blessures graves. Relâcher l'anse pour éteindre la tondeuse et débrancher la tondeuse avant de soulever, de transporter ou de ranger la tondeuse. L'entreposer dans un endroit sec.

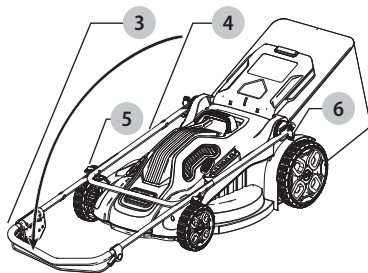
**ATTENTION** : zone de pincement. Pour éviter de se pincer en repliant les poignées, garder les doigts hors de la zone entre elles.

**ATTENTION** : faire attention de ne pas étirer ou pincer le cordon dans les joints des poignées lorsqu'elles sont repliées. Cela pourrait endommager le cordon.

La poignée de la tondeuse se replie facilement en vue d'un rangement commode et rapide.

1. En maintenant la poignée, ouvrez, mais sans retirer, les boutons de fixation de la poignée inférieure **6** et pliez la poignée vers de devant de la tondeuse.
2. Ouvrez, mais sans retirer, les boutons de fixation de la poignée supérieure **5** ou desserrez les boutons et pliez la poignée supérieure **3** sur la poignée inférieure **4**.
3. La tondeuse doit devenir compacte comme illustré dans la Figure P.

Fig. P



## Accessoires

**AVERTISSEMENT** : puisque les accessoires autres que ceux offerts par BLACK+DECKER n'ont pas été testés avec ce produit, leur utilisation pourrait s'avérer dangereuse. Pour réduire le risque de blessures, utiliser exclusivement les accessoires BLACK+DECKER recommandés avec le présent produit.

Les accessoires recommandés pour cet outil sont vendus séparément au centre de service de votre région. Pour obtenir de l'aide concernant l'achat d'un accessoire, communiquer avec BLACK+DECKER 1-800-544-6986

## Nettoyage

**AVERTISSEMENT** : enlever les saletés et la poussière hors des événements au moyen d'air comprimé propre et sec, au moins une fois par semaine. Pour minimiser le risque de blessure aux yeux, toujours porter une protection oculaire conforme à la norme ANSI Z87.1 lors du nettoyage.

**AVERTISSEMENT** : ne jamais utiliser de solvants ni d'autres produits chimiques puissants pour nettoyer les pièces non métalliques de l'outil. Ces produits chimiques peuvent affaiblir les matériaux de plastique utilisés dans ces pièces. Utiliser un chiffon humecté uniquement d'eau et de savon doux. Ne jamais laisser de liquide pénétrer dans l'outil et n'immerger aucune partie de l'outil dans un liquide.

## Réparations

**AVERTISSEMENT** : pour assurer la SÉCURITÉ et la FIABILITÉ du produit, les réparations, l'entretien et les réglages doivent être réalisés (cela comprend l'inspection et le remplacement du balai, le cas échéant) par un centre de réparation en usine BLACK+DECKER ou un centre de réparation agréé BLACK+DECKER. Toujours utiliser des pièces de rechange identiques.

## Prévention de la corrosion (Fig. A)

Les engrais et autres produits chimiques de jardin renferment des agents qui accélèrent la corrosion du métal. Si l'aire à tondre a reçu un épandage d'engrais ou de produits chimiques, nettoyer immédiatement la tondeuse après son utilisation comme suit. Relâcher l'anse pour éteindre la tondeuse et débrancher la tondeuse. Essuyer toutes les pièces exposées avec un chiffon humide.



**ATTENTION : NE PAS VERSER NI PULVÉRISER D'EAU SUR LA TONDEUSE POUR LA NETTOYER. Ne pas ranger l'outil sur des engrais ou des produits chimiques ou à proximité de ceux-ci. Un tel rangement risque de provoquer une corrosion rapide.**

## Rencontre CPSC exigences de sécurité

BLACK+DECKER Tondeuse sont conformes aux normes de sécurité de l'American National Standards Institute, et de la commission de la sécurité des produits américains. La lame tourne lorsque le moteur est en marche.

## Registre en ligne

Merci pour votre achat. Enregistrez dès maintenant votre produit:

- **RÉPARATIONS SOUS GARANTIE:** cette carte remplie vous permettra de vous prévaloir du service de réparations sous garantie de façon plus efficace dans le cas d'un problème avec le produit.
- **CONFIRMATION DE PROPRIÉTÉ:** en cas de perte provoquée par un incendie, une inondation ou un vol, cette preuve de propriété vous servira de preuve auprès de votre compagnie d'assurances.
- **SÉCURITÉ:** l'enregistrement de votre produit nous permettra de communiquer avec vous dans l'éventualité peu probable de l'envoi d'un avis de sécurité régi par la loi fédérale américaine de la protection des consommateurs.

Registre en ligne à [www.blackanddecker.com/register](http://www.blackanddecker.com/register).

## GARANTIE LIMITÉE DE DEUX ANS

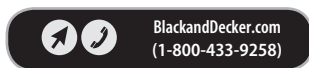
Black & Decker (U.S.) In. garantit ce produit être libre de défaut de matériau et de main-d'œuvre pour une durée de deux (2) ans suivant la date d'achat, à condition qu'il ait été utilisé en milieu domiciliaire. La présente garantie limitée ne couvre pas les pannes causées par abus d'utilisation, dommage accidentel ou si une réparation a été faite ou tentée par quiconque autre que les centres de service autorisés BLACK+DECKER. Un produit défectueux selon les termes de la garantie décrits dans les présentes sera remplacé ou réparé sans frais de l'une ou l'autre des façon suivantes :

La première, qui résultera en un simple échange, est de retourner le produit au détaillant chez lequel il a été acheté (pourvu que le magasin est un détaillant participant). Les retours devraient être faits à l'intérieur de la période de temps de la politique du détaillant pour les échanges. Une preuve d'achat pourrait être requise. Veuillez consulter le détaillant pour connaître la limite de temps pour échange selon sa politique particulière. La seconde façon est d'apporter ou d'expédier le produit (port payé

d'avance) à un centre de service autorisé ou propriété de BLACK+DECKER pour réparation ou remplacement. Une preuve d'achat pourrait être requise. La liste des centres de service de BLACK+DECKER et ateliers autorisés est offerte en ligne à [www.blackanddecker.com](http://www.blackanddecker.com). La présente garantie ne s'applique pas aux accessoires. La présente garantie vous donne des droits légaux particuliers et vous pouvez avoir d'autres droits qui varient d'une province ou d'un état à l'autre. Pour toute question, veuillez communiquer avec le directeur d'un centre de service de BLACK+DECKER. L'outil acheté n'est pas prévu pour usage commercial, conséquemment, un tel usage annulera sa garantie. Les présentes constituent un désistement à toute garantie expresse ou implicite d'autres sources.

**AMÉRIQUE LATINE** La présente garantie ne s'applique pas aux produits vendus en Amérique latine. Pour les produits vendus en Amérique latine, consulter les renseignements sur la garantie particulière au pays incluse dans l'emballage, appeler l'agence locale de distribution ou consulter le site Web pour plus de précisions.

Imported by Black & Decker (U.S.) Inc.,  
701 E. Joppa Rd.  
Towson, MD 21286



## GUIDE DE DÉPANNAGE

 **DANGER** : afin de réduire le risque de blessure corporelle, éteignez l'appareil et débranchez-le la source d'alimentation avant d'effectuer tout ajustement ou de retirer/installer des pièces ou des accessoires. Un déclenchement accidentel du démarrage peut causer des blessures.

Pour toute question ou commentaire à propos de n'importe quel outil BLACK+DECKER, appelez-nous au numéro sans frais : 1-800-544-6986.

PROBLÈME	SOLUTION
La tondeuse ne fonctionne pas lorsque l'anse est activée	Vérifier que la tondeuse est bien branchée et que le bouton sur le boîtier d'interrupteur est bien enfoncé avant de tirer l'anse. Relâcher l'anse pour éteindre la tondeuse. Débrancher la tondeuse. Retourner la tondeuse et vérifier que la lame tourne librement.
Le moteur s'arrête durant la tonte	Relâcher l'anse pour éteindre la tondeuse. Débrancher la tondeuse. Retourner la tondeuse et vérifier que la lame tourne librement. Relever la hauteur de coupe des roues à la position la plus élevée et commencer la tonte. Éviter de surcharger la tondeuse. Ralentir la tonte ou augmenter la hauteur de coupe.
La tondeuse fonctionne, mais la performance de la coupe n'est pas satisfaisante ou elle ne coupe pas tout le gazon	Relâchez l'anse pour éteindre la tondeuse. Retournez la tondeuse et vérifiez : L'aiguisage de la lame. Gardez la lame aiguisée. Le châssis et le conduit d'éjection pour toute obstruction. Le réglage de la hauteur des roues pourrait être trop bas pour l'état de la pelouse. Augmenter la hauteur de coupe.
La tondeuse est trop difficile à pousser	Relâcher l'anse pour éteindre la tondeuse. Débrancher la tondeuse. Augmenter la hauteur de coupe pour réduire le frottement du châssis sur l'herbe. Vérifier que chaque roue tourne librement.
La tondeuse est anormalement bruyante et vibre	Relâcher l'anse pour éteindre la tondeuse. Débrancher la tondeuse. Placer la tondeuse sur le côté et vérifier que la lame n'est pas tordue ou endommagée. Si la lame est endommagée, la remplacer avec une lame de rechange BLACK+DECKER. Si le dessous du châssis est endommagé, retournez la tondeuse dans un centre de services autorisé BLACK+DECKER. S'il n'y a pas de dommage visible sur la lame et que la tondeuse vibre encore : Relâchez l'anse pour éteindre la tondeuse. Désassemblez tout l'assemblage de la lame comme illustré dans la section <b>Retirer et installer la lame</b> . Retirez tout débris et nettoyez chaque pièce. Remplacez chaque pièce comme illustré dans la section <b>Retirer et installer la lame</b> . Si la tondeuse vibre encore, retournez-la dans un centre de services autorisé BLACK+DECKER.
La tondeuse ne ramasse pas le gazon coupé avec le sac	Conduit d'éjection obstrué. Relâchez l'anse pour éteindre la tondeuse. Dégagez le conduit de tout gazon coupé. Montez la hauteur de coupe des roues à la longueur la plus courte de la coupe. Sac plein. Videz le sac plus souvent.

## Definiciones: Símbolos y Palabras de Alerta de Seguridad

Este manual de instrucciones utiliza los siguientes símbolos y palabras de alerta de seguridad para alertarle de situaciones peligrosas y del riesgo de lesiones corporales o daños materiales.

**!** **PELIGRO:** Indica una situación de peligro inminente que, si no se evita, provocará **la muerte o lesiones graves**.

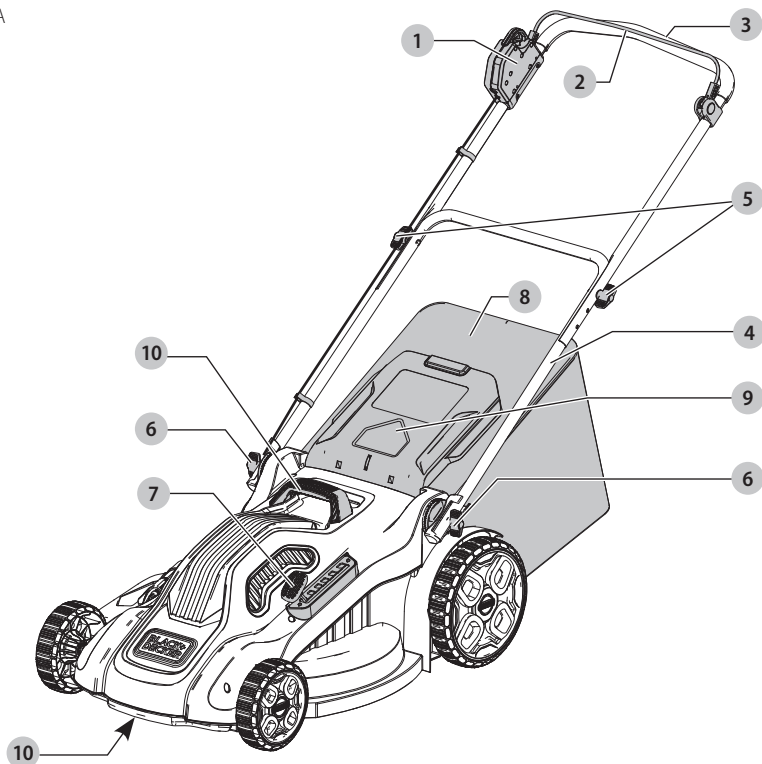
**!** **ADVERTENCIA:** Indica una situación de peligro potencial que, si no se evita, **podría provocar la muerte o lesiones graves**.

**!** **ATENCIÓN:** Indica una situación de peligro potencial que, si no se evita, **posiblemente provocaría lesiones leves o moderadas**.

**!** (Utilizado sin palabras) indica un mensaje de seguridad relacionado.

**AVISO:** Se refiere a una práctica **no relacionada a lesiones corporales** que de no evitarse **puede resultar en daños a la propiedad**.

Fig. A



### COMPONENTS

1 Caja de interruptor ON-OFF (encendido-apagado)

2 Manija de travesaño

3 Manija superior

4 Manija inferior

5 Perilla de manija superior

6 Perilla de manija inferior

7 Palanca de ajuste de altura de corte

8 Bolsa de recolección de césped

9 Cubierta de puerta trasera

10 Manija de transporte

**!** **ADVERTENCIA:** Lea todas las advertencias de seguridad e instrucciones. El incumplimiento de las advertencias e instrucciones puede provocar descargas eléctricas, incendios o lesiones graves.



**ADVERTENCIA:** Para reducir el riesgo de lesiones, lea el manual de instrucciones.

Si tiene alguna duda o algún comentario sobre ésta u otra herramienta BLACK+DECKER llámenos al número gratuito: 1-800-544-6986 1-800-544-6986.

## ADVERTENCIAS E INSTRUCCIONES DE SEGURIDAD IMPORTANTES

- ADVERTENCIA:** Para reducir el riesgo de lesiones:
  - Antes de cualquier uso, asegúrese que cualquiera que use esta herramienta lea y entienda todas las instrucciones de seguridad y otra información contenida en este manual.
  - Conserve estas instrucciones y revíselas con frecuencia antes del uso y al instruir a otros.
  - Al utilizar herramientas eléctricas para el jardín,, siempre se deben seguir las precauciones de seguridad básica para reducir el riesgo de incendio, descarga eléctrica, y lesiones personales, incluyendo las siguientes:

### LEA TODAS LAS INSTRUCCIONES

## ADVERTENCIAS GENERALES DE SEGURIDAD E INSTRUCCIONES PARA TODAS LAS HERRAMIENTAS

- Esta herramienta puede ser peligrosa.** Siga todas las advertencias e instrucciones de seguridad de este manual. El operador es responsable de seguir las advertencias e instrucciones en este manual y en la unidad. Restrinja el uso de esta podadora a las personas que lean, entiendan y sigan las advertencias e instrucciones de este manual y de la unidad.
- Evite ambientes peligrosos** – no use podadoras en ubicaciones mojadas o húmedas.
- No use en lluvia.**
- Mantenga a los niños alejados** – Todos los visitantes deben mantener una distancia segura del área de trabajo.
- Use vestimenta apropiada** – No use ropa holgada o joyería. Pueden quedar atrapados en las partes móviles. Se recomienda el uso de guantes de hule y calzado cuando trabaje en exteriores.
- Use gafas de seguridad** – También use una careta o máscara de polvo si la operación produce polvo.
- Utilice el aparato correcto** - No utilice la podadora para ningún trabajo excepto para el que está diseñada.
- Se debe proporcionar protección de Interruptor de circuito de falla a tierra [Ground Fault Circuit Interrupter (GFCI)] en los circuitos o tomacorrientes que se van a usar para la podadora.** Los receptáculos están disponibles con protección GFCI integrada y pueden ser utilizados para esta medida de seguridad.
- Revise respecto a partes dañadas.** Antes de utilizar la podadora, se debe revisar cuidadosamente un protector u otra parte que esté dañada para determinar si funcionará correctamente y cumplirá su función. Revise la alineación de las partes móviles, la unión de las partes móviles, la ruptura de partes, el montaje y cualquier otra condición que pueda afectar su operación. Una protección u otra parte que esté dañada se debe reparar o reemplazar apropiadamente por un centro de servicio autorizado,

a menos que se indique lo contrario en otra parte de este manual.

- Reparaciones y servicio.** Las reparaciones, el mantenimiento y los ajustes no especificados en este manual deben ser realizados por los centros de servicio autorizados u otras organizaciones de servicio calificadas, siempre utilizando partes de repuesto idénticas.

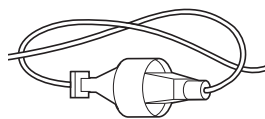
**ADVERTENCIA** – Para prevenir descargas eléctricas, utilice sólo una extensión adecuada para uso en exteriores, tal como SW, SOW, STW, STOW, SJW, SJOW, SJTW. o SJTW.

**ADVERTENCIA** Cable de extensión – Asegúrese que su cable de extensión esté en buenas condiciones. Cuando use un cable de extensión asegúrese de usar uno lo suficientemente pesado para llevar la corriente que usará su producto. Vea la siguiente tabla respecto a los tamaños de cable adecuado. Un cable de tamaño inferior causará una caída en el voltaje en línea que resulta en una pérdida de energía y sobrecalentamiento. Para reducir la probabilidad de desconexión del cable de la podadora del juego de cable durante la operación:

Calibre mínimo para juegos de cable					
Voltios	Longitud total de cable en pies (metros)				
	120 V	25 (7.6)	50 (15.2)	100 (30.5)	150 (45.7)
240 V	50 (15.2)	100 (30.5)	200 (61.0)	300 (91.4)	
Clasificación de amperes		American Wire Gauge			
Mayor a	No mayor a				
0	6	18	16	16	14
6	10	18	16	14	12
10	12	16	16	14	12
12	16	14	12	No recomendado	

- i) Realice un nudo como se muestra en la Figura B; o
- ii) Use una de las correas o conectores de retención de enchufe-receptáculo descritos en este manual.

Fig. B



- Hay disponibles para retener los cables de extensión.**
- No abuse del cable** – Nunca jale la podadora con un cable ni lo jale para desconectarlo del tomacorriente. Mantenga el cable alejado del calor, aceite y bordes filosos.
- No fuerce la podadora** – Hará el trabajo mejor y con más seguridad en la velocidad para la que está diseñada.
- No se estire en exceso** – Mantenga la pisada y equilibrio adecuados en todo momento.



- **Permanezca alerta** - Observe lo que está haciendo. Utilice el sentido común. No opere la podadora de césped cuando esté cansado.
- **Desconecte la podadora** – Desconecte la podadora del suministro de energía cuando no esté en uso, antes de realizar el mantenimiento, al cambiar accesorios tales como cuchillas, y similares.
- **Guarde la podadora sin uso en interiores** – Cuando no se usan, los aparatos deben almacenarse en un lugar seco y cerrado, fuera del alcance de los niños. Retire la llave de seguridad.
- **Mantenga la podadora con cuidado** – Mantenga los bordes de corte afilados y limpios para un mejor desempeño y más seguro. Siga las instrucciones para lubricar y cambiar los accesorios. Revise el cable de la podadora periódicamente y, si está dañado, pida que lo reparen en instalaciones de servicio autorizadas. Revise los cables de extensión periódicamente y reemplácelos si están dañados. Mantenga las manijas secas, limpias y libres de aceite y grasa.
- **Mantenga las protecciones en su lugar y en buen estado de operación.**
- **Mantenga las cuchillas afiladas.**
- **Mantenga las manos y los pies lejos del área de corte.**
- **Los objetos golpeados por la cuchilla de la podadora pueden causar lesiones graves a las personas.** El césped siempre debe revisarse cuidadosamente y despejarse de todos los objetos antes de cada corte.
- **Si la podadora golpea un objeto extraño, siga estos pasos:**
  1. Detenga la podadora. Libere la manija de travesaño.
  2. Desconecte el cable de energía.
  3. Revise respecto a daño.
  4. Repare cualquier daño antes de reiniciar y operar la podadora.
- **Use cuchillas de repuesto idénticas solamente.**

## Cables de Extensión

Use sólo cables de extensión para exteriores de tres hilos que tengan enchufes de tres clavijas con conexión a tierra y receptáculos tripolares que acepten el enchufe de la podadora.

## Para Todas las Podadoras con Doble Aislamiento

### Partes de Reemplazo

Al dar servicio, utilice únicamente partes de repuesto idénticas.

### Conexiones de Aparato Polarizado

Para reducir el riesgo de descarga eléctrica, este aparato tiene un enchufe polarizado (una clavija es más ancha que la otra) y requerirá el uso de un cable de extensión polarizado. El enchufe del aparato se ajustará a un cable de extensión polarizado de una sola manera. Si el enchufe no se conecta completamente al cable de extensión, invierta el enchufe. Si el enchufe todavía no se inserta, obtenga un cable de extensión polarizado correcto. Un cable de extensión polarizado

requerirá el uso de un tomacorriente polarizado. Este enchufe se ajustará a un tomacorriente de pared polarizado sólo de una forma. Si el enchufe no se conecta al tomacorriente de pared, invierta el enchufe. Si el enchufe todavía no se conecta, póngase en contacto con un electricista calificado para instalar el tomacorriente de pared adecuado. No cambie el enchufe del equipo, el receptáculo del cable de extensión, o el enchufe del cable de extensión de ninguna manera.

## GUARDE ESTAS INSTRUCCIONES

### Importante

### Prácticas Seguras para Podadoras Controladas por Peatones

Esta máquina es capaz de amputar manos y pies y arrojar objetos. La falla en observar las siguientes instrucciones de seguridad puede provocar lesiones graves o la muerte.

### Información General

1. Lea, comprenda y siga las instrucciones y advertencias de este manual y de la máquina, el motor y los accesorios.
2. Sólo permita operadores, responsables, entrenados, familiarizados con las instrucciones y físicamente capaces de operar la máquina.
3. No opere la máquina bajo la influencia de alcohol o drogas.

### Preparación Antes de Operación

1. Despeje el área de operación de cualquier objeto que pueda ser arrojado o interferir con la operación de la máquina.
2. Mantenga el área de operación libre de transeúntes, particularmente niños pequeños. Detenga la máquina y los accesorios si alguien entra al área.
3. No opere la máquina sin el recolector de césped completo, el conducto de descarga u otros dispositivos de seguridad en su lugar y funcionando correctamente. Verifique frecuentemente si hay señales de desgaste o deterioro y reemplace según sea necesario.
4. Use el equipo de protección personal adecuado, como gafas de seguridad, protección auditiva y calzado.

### Operación

1. Sólo use la máquina durante el día o con buena iluminación artificial.
2. Evite agujeros, surcos, baches, rocas u otros peligros ocultos. Un terreno irregular podría volcar la máquina o hacer que el operador pierda el equilibrio o la posición de los pies.
3. No coloque las manos o los pies cerca de partes giratorias o debajo de la máquina. Manténgase alejado de la abertura de descarga en todo momento.
4. Nunca descargue el material directamente hacia nadie. Evite descargar material contra una pared u obstrucción. El material puede rebotar hacia el operador. Detenga las cuchillas al cruzar superficies de grava.



## Específico para Niños

1. Pueden ocurrir accidentes trágicos si el operador no está alerta a la presencia de niños. Los niños a menudo se sienten atraídos por la máquina y la actividad de poda. Nunca asuma que los niños permanecerán donde los vio por última vez.
2. Mantenga a los niños fuera del área de operación y bajo la atenta supervisión de un adulto responsable que no sea el operador.

## Específico para Pendientes

1. Las pendientes son un factor importante relacionado con los accidentes. La operación en pendientes requiere precaución adicional.
2. Viaje en la dirección recomendada por el fabricante en las pendientes. Tenga cuidado al operar cerca de las bajadas.
3. Evite cortar el césped mojado. (Un equilibrio descuidado podría causar un accidente de resbalón y caída.)
4. No opere la máquina bajo ninguna condición donde la tracción, la dirección o la estabilidad estén en duda. La podadora podría deslizarse incluso si las ruedas están detenidas.
5. Evite comenzar y detenerse en pendientes. Evite hacer cambios repentinos en la velocidad o dirección. Haga giros lenta y gradualmente.
6. Tenga mucho cuidado al operar la máquina con un recolector de césped u otros accesorios. Pueden afectar la estabilidad de la máquina.

## Servicio

1. Mantenga la máquina en buen estado de operación. Reemplace las partes desgastadas o dañadas.
2. Tenga cuidado al reparar las cuchillas. Envuelva las cuchillas o use guantes. Reemplace las cuchillas dañadas. No repare ni altere las cuchillas.

## Las siguientes son explicaciones de ilustraciones de peligros de seguridad importantes en la podadora.



El usuario debe leer y comprender el manual de instrucciones.



Para evitar el riesgo de lesiones graves, no corte de arriba a abajo las pendientes. Siempre corte a través de las pendientes.



Para evitar el riesgo de lesiones a los transeúntes, mantenga a todas las personas y mascotas a una distancia segura de la podadora mientras esté en funcionamiento.



Las cuchillas giratorias pueden causar lesiones serias. Mantenga las manos y los pies alejados de la plataforma de poda y la abertura de descarga en todo momento. Siempre suelte la manija de travesaño para apagar la podadora y espere a que la hoja deje de girar (aproximadamente 3 segundos) y antes de retirar y reemplazar el recolector de césped, limpiar, dar servicio, transportar o levantar la podadora.



Los objetos golpeados por la cuchilla de la podadora pueden causar lesiones graves. Manténgase detrás de la manija cuando el motor esté funcionando. Siempre asegúrese que las personas y las mascotas estén lejos de la descarga de la podadora durante el funcionamiento. Siempre revise el área de siega antes de cortar y quite los objetos que puedan ser arrojados por la cuchilla. Suelte la manija de travesaño para apagar la podadora y espere a que la hoja deje de girar (aproximadamente 3 segundos) antes de cruzar aceras, caminos, patio y caminos de grava.

## Instrucción Adicional de Seguridad



**ADVERTENCIA:** Use **SIEMPRE** lentes de seguridad.

Los anteojos de diario **NO SON** lentes de seguridad. Utilice además una cubrebocas o mascarilla antipolvo si la operación de corte genera demasiado polvo. **SIEMPRE LLEVE EQUIPO DE SEGURIDAD CERTIFICADO:**

- protección ocular ANSI Z87.1 (CAN/CSA Z94.3),
- protección auditiva ANSI S12.6 (S3.19),
- protección respiratoria NIOSH/OSHA/MSHA.



**ADVERTENCIA:** Parte del polvo generado por este producto contiene producto químicos reconocidos por el Estado de California como causantes de cáncer, defectos de nacimiento u otros problemas reproductivos. Algunos ejemplos de estos productos químicos son:

- compuestos en fertilizantes
- compuestos en insecticidas, herbicidas y pesticidas
- arsénico y cromo de madera con tratamiento químico

Para reducir su exposición a estos productos químicos, use equipo de seguridad aprobado, como máscaras para polvo que están diseñadas especialmente para filtrar las partículas microscópicas.

La etiqueta de su herramienta puede incluir los siguientes símbolos. A continuación se indican los símbolos y sus definiciones:

V .....	voltios	Ⓜ .....	Construcción de Clase I (tierra)
Hz .....	hertz	.. /min.....	por minuto
min .....	minutos	== or DC.....	direct current
		BPM.....	golpes por minuto

## ESPAÑOL

IPM.....	impactos por minuto	$n_0$ .....	velocidad sin carga
RPM.....	revoluciones por minuto	IPXX.....	símbolo IP
s/rev.....	pies de superficie por minuto	$n$ .....	velocidad nominal
SPM.....	pasadas por minuto	⊕.....	terminal de conexión a tierra
OPM.....	oscilaciones por minuto	⚠.....	símbolo de advertencia de seguridad
A.....	amperios	☠.....	radiación visible
W.....	watios	☼.....	protección respiratoria
~ or AC.....	corriente alterna	👁.....	protección ocular
⎓ or AC/DC.....	corriente alterna o directa	👂.....	protección auditiva
⏚.....	Construcción de Clase II (doble aislamiento)	📖.....	lea toda la documentación

## GUARDE ESTAS INSTRUCCIONES PARA VOLVER A CONSULTAR EN EL FUTURO

### COMPONENTES (FIG. A)

#### Motor

Asegúrese de que la fuente de energía concuerde con lo que se indica en la placa. Un descenso en el voltaje de más del 10% producirá una pérdida de potencia y sobrecalentamiento. Todas las herramientas son probadas en fábrica; si esta herramienta no funciona, verifique el suministro eléctrico.

#### Uso Debido

Esta podadora está diseñada para uso residencial.

**NO** utilice la herramienta en condiciones de humedad o en presencia de líquidos o gases inflamables.

**NO** permita que los niños toquen la herramienta. Si el operador no tiene experiencia operando esta herramienta, su uso deberá ser supervisado.

### MONTAJE Y AJUSTES

**⚠ ADVERTENCIA:** Para reducir el riesgo de lesiones personales, apague la unidad y desconéctela de la fuente de energía antes de realizar cualquier ajuste o retirar/instalar conexiones o accesorios. Una activación de arranque accidental puede causar lesiones.

**⚠ ADVERTENCIA:** Antes del ensamblaje, asegúrese de que la manija de travesaño esté suelto y desenchufe la cortadora de césped.

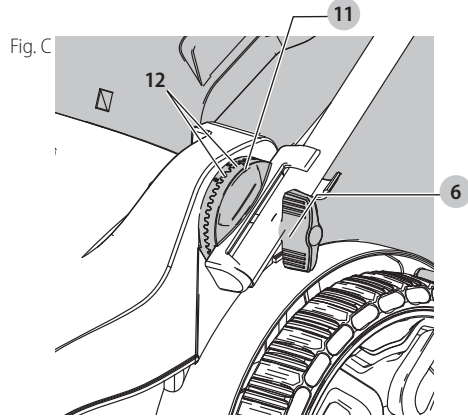
### Ajuste de Manija Inferior (Fig. A, C)

Hay 2 alturas de operación para la manija para adaptarse a múltiples operadores.

1. Levante la manija inferior **4** en su lugar.
2. Alinee la flecha **11** en la base de la podadora con 1 o 2 en la base de la manija.

**⚠ ATENCIÓN:** Asegúrese de que cada lado del mango inferior esté ajustado en el mismo número. La flecha debe estar alineada con el número 1 o 2 para el funcionamiento.

3. Apriete las perillas de ajuste de altura de la manija **6**. Al cerrar cada una, asegúrese que los dientes **12** estén conectados. Apriete las perillas de la manija inferior para asegurar la manija inferior en su lugar.

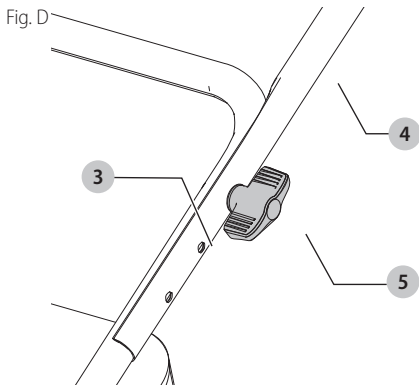


### Conexión/Ajuste de Manija Superior (Fig. A, D)

1. Retire las perillas de fijación de la manija superior **5**, arandelas, y los pernos de la manija.
2. Alinee los orificios en la parte inferior de la manija superior **3** con uno de los tres orificios de altura de la manija en la parte superior de la manija inferior **4**.

**NOTA:** Asegúrese que el cable esté ubicado en el frente de ambas manijas. Si no lo está, puede provocar enredos en el cable y la imposibilidad de almacenar fácilmente la podadora.

3. Coloque la parte superior de la manija en la manija inferior usando las perillas de la manija superior **5**, arandelas, y pernos.
4. Desde el exterior del mango superior **3**, deslice el perno de la palanca a través de los orificios.
5. Deslice la arandela sobre el perno de las perillas de fijación de la manija superior y ensamble sin ajustar el ensamblaje completo.
6. Rote el mango superior a su posición de funcionamiento.
7. Apriete las perillas de la manija superior. Si está demasiado apretado o demasiado suelto, abra las perillas de fijación de la manija superior y ensamble sin ajustar el ensamblaje completo con la tuerca. Estas deben estar suficientemente apretadas como para que los mangos se mantengan firmes.

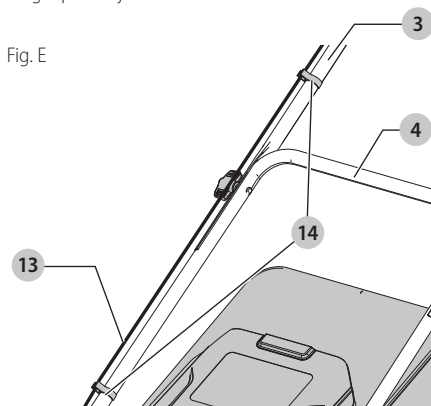


### Fijación del Cable del Motor (Fig. E)

**⚠ ATENCIÓN:** Conecte el cable para que no llega a ser estirada o pellizcado en las articulaciones de las asas durante el uso o plegable. Esto puede causar daño a la médula.

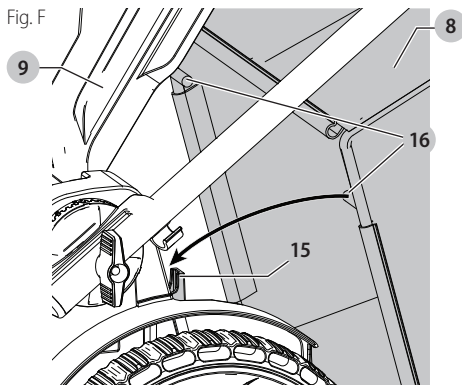
El cable del motor **13** debe sujetarse a los mangos utilizando las fijaciones para cable **14** que ya se encuentran instaladas en el mango.

1. Coloque las manijas en posición de operación, consulte la sección **Ajuste de manija inferior**.
2. Pase el cable al frente de las manijas inferior **4** y superior **3**.
3. Tire hacia atrás de la fijación para cable.
4. Deslice el cable del motor por debajo del sujetador y asegúrese de que quede completamente sujeto en su lugar por la fijación.



### Embolsado (Fig. F)

Levante la cubierta de la puerta trasera **9** y coloque la bolsa de recolección de césped **8** en la cortadora de césped de manera que los ganchos de la bolsa **15** se apoyen sobre las lengüetas **16**. Luego baje la cubierta de la puerta trasera.



### Protector de Seguridad y Puerta Trasera (Fig. A)

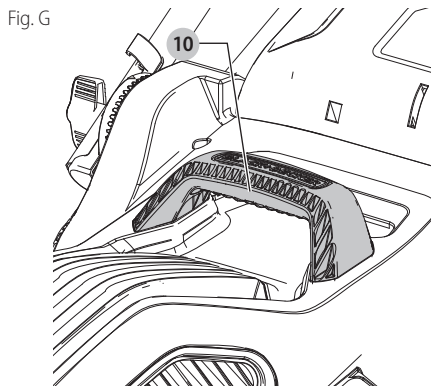
El protector de seguridad está diseñado para minimizar el que la hoja de la cortadora de césped arroje piedras u otros objetos hacia atrás desde debajo de la plataforma de esta.

El protector, junto con la cubierta de la puerta trasera **9**, minimizan la posibilidad de contacto accidental de los pies con la hoja. NO use la cortadora de césped sin el protector de seguridad y la puerta trasera en su lugar.

### Transporte de la Cortadora de Césped

**⚠ PELIGRO:** LAS HOJAS GIRATORIAS PUEDEN PROVOCAR LESIONES GRAVES. PARA EVITAR LESIONES GRAVES, DESENCHUFE LA CORTADORA DE CÉSPED CUANDO LA DEJE SIN SUPERVISIÓN O DURANTE LA LIMPIEZA, MANTENIMIENTO, TRANSPORTE, LEVANTAMIENTO O ALMACENAJE DE ESTA.

La cortadora de césped puede transportarse utilizando los cómodos mangos de transporte **10**. NO intente levantar la cortadora de césped sujetando el mango superior **3** o el mango inferior **4**.



### OPERACIÓN

**⚠ ADVERTENCIA:** Para reducir el riesgo de lesiones personales, apague la unidad y desconéctela de la fuente de energía antes de realizar cualquier

**ajuste o retirar/instalar conexiones o accesorios.**

Una activación de arranque accidental puede causar lesiones.

**PELIGRO:** Cuchilla móvil filosa. Lleve su podadora al centro de servicio más cercano para repararla si la puerta trasera no se cierra.

**PELIGRO:** Cuchilla móvil filosa. Nunca opere la podadora en el modo de embolsado a menos que los ganchos del colgador en el recogedor de césped estén asentados correctamente en la podadora y la puerta de descarga trasera descansa firmemente contra la parte superior del recogedor de césped, ya que podría ocasionar lesiones graves.

**PELIGRO:** Cuchilla móvil filosa.

**PELIGRO:** Las cuchillas giratorias pueden causar lesiones serias. Para evitar lesiones graves, desconecte la podadora cuando la deje desatendida, o cuando cargue, limpie, dé servicio, transporte, levante o guarde la podadora.

**ADVERTENCIA:** Deje que la podadora funcione a su propio ritmo. No sobrecargue.

LEA ESTE MANUAL DE INSTRUCCIONES ANTES DE OPERAR SU PODADORA. Consulte **Componentes** para familiarizarse con la ubicación de varios controles y ajustes. Conserve este manual para referencia futura.

La posición de mano adecuada requiere ambas manos en la manija superior **3**.

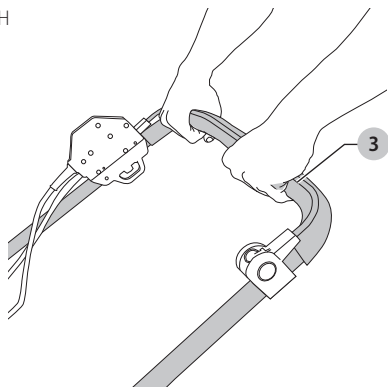
**Posición Adecuada de las Manos (Fig. H)**

**ADVERTENCIA:** Para reducir el riesgo de lesión personal grave, tenga **SIEMPRE** las manos en una posición adecuada como se muestra.

**ADVERTENCIA:** Para reducir el riesgo de lesión personal grave, sujete **SIEMPRE** bien en caso de que haya una reacción repentina.

La posición de mano adecuada requiere ambas manos en la manija superior **3**.

Fig. H

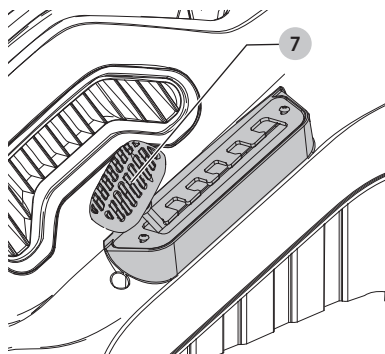


**Ajuste de Altura de Corte de la Podadora (Fig. I)**

1. Jale la palanca de ajuste de altura de corte de la podadora **7** fuera de la muesca de bloqueo.
  - a. Mueva la palanca hacia la parte trasera del aparato para bajar la altura de corte.
  - b. Mueva la palanca hacia la parte delantera del aparato para subir la altura de corte.
2. Empuje la palanca de ajuste de altura hacia una de las 6 muescas de bloqueo.

**NOTA:** Si no está seguro de qué altura cortar, comience a podar con la palanca de ajuste de altura de corte en la posición 6 y ajuste la altura hacia abajo como se necesite.

Fig. I



**Arranque de la Cortadora de Césped (Fig. J)**

**PELIGRO:** Hoja móvil filosa. Nunca intente anular el funcionamiento de esta caja del interruptor ya que pueden producirse lesiones graves.

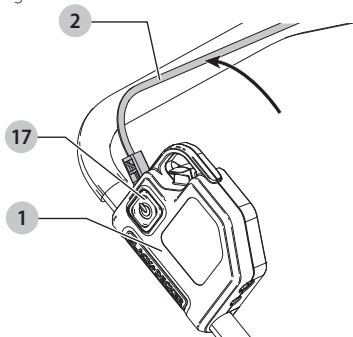
**ADVERTENCIA:** Nunca intente bloquear un interruptor o mango de suspensión en la posición de encendido.

La cortadora de césped está equipada con una caja del interruptor especial de encendido-apagado.

1. Para operar la podadora, presione el botón **17** en la caja del interruptor **1**, luego jale de la manija de travesaño **2** hacia el manillar. Suelte el botón y sostenga la manija de travesaño con ambas manos.
2. Para apagar la cortadora de césped, simplemente suelte el mango de suspensión.

**NOTA:** Una vez que el estribo de suspensión ha vuelto a su posición original, se activará el "mecanismo de frenado automático". El motor se frena eléctricamente y la cuchilla del cortacésped dejará de girar en 3 segundos o menos.

Fig. J



### Cortar (Fig. K)

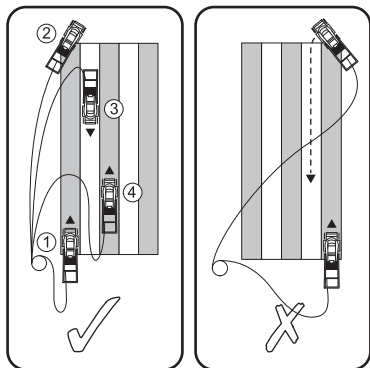
**⚠ ADVERTENCIA:** Siempre inspeccione el área donde segadora se va a utilizar y eliminar todas las piedras, palos, cables, huesos y restos de otro tipo que puedan ser lanzados por la cuchilla giratoria.

Es recomendable utilizar el cortacésped tal y como se describe en esta sección con el fin de obtener unos resultados óptimos y reducir el riesgo de que se produzca un corte en el cable de alimentación.

1. Coloque el resto del cable de alimentación en el césped, cerca del lugar por donde vaya a empezar a trabajar (posición 1 de la Figura K).
2. Encienda el aparato según las instrucciones anteriores.
3. Realice el procedimiento que se muestra en la Figura K.
4. Muévase desde la posición 1 a la posición 2.
5. Gire hacia la derecha sin pisar el cable y continúe hacia la posición 3.
6. Gire hacia la izquierda sin pisar el cable y muévase hacia la posición 4.
7. Repita el procedimiento anterior según lo necesite.

**⚠ ADVERTENCIA:** no trabaje hacia el cable como se muestra en la Figura K.

Fig. K



### Consejos de Poda (Fig. A)

**⚠ ADVERTENCIA:** Siempre revise el área donde se debe utilizar la podadora y retire todas las piedras, palos, alambres, huesos y otros escombros que puedan ser arrojados por la cuchilla giratoria.

**⚠ ADVERTENCIA:** Poda a través de la pendiente, nunca de arriba a abajo. Tenga extrema precaución cuando cambie de dirección en pendientes. No corte pendientes excesivamente empinadas. Siempre mantenga un buen equilibrio.

- Suelte la manija de travesaño para apagar la podadora cuando cruce cualquier área de grava (las piedras pueden ser arrojadas por la cuchilla).
- Coloque la podadora a la altura de corte más alta cuando corte en terreno irregular o en malezas altas. Retirar demasiada hierba a la vez puede causar que el motor se sobrecargue y se detenga. Consulte la **Solución de Problemas**.
- Si se usa una bolsa de recolección de hierba **8** durante la temporada de crecimiento rápido, la hierba puede tender a obstruirse en la abertura de descarga. Suelte la manija de travesaño para apagar la podadora. Retire el recogedor y agite el césped hasta el final de la bolsa. Limpie también cualquier hierba o escombros que pueda acumularse alrededor de la abertura de descarga. Vuelva a colocar el recogedor de césped.
- Si la cortadora de césped comienza a vibrar en forma anormal, suelte el mango de suspensión para apagarla y desenchúfela. Revise de inmediato para encontrar la causa. La vibración es una advertencia de un problema. No use la cortadora de césped hasta haber realizado una revisión de mantenimiento. Consulte la **Solución de Problemas** en el manual.
- Siempre suelte la manija de travesaño para apagar la podadora cuando la deje desatendida incluso por un corto período de tiempo.

### Sobrecarga de la Podadora

Para evitar daños debido a condiciones de sobrecarga, no intente eliminar demasiada hierba a la vez. Disminuya la velocidad de corte o aumente la altura de corte.

### MANTENIMIENTO

**⚠ ADVERTENCIA:** Para reducir el riesgo de lesiones personales, apague la unidad y desconéctela de la fuente de energía antes de realizar cualquier ajuste o retirar/instalar conexiones o accesorios. Una activación de arranque accidental puede causar lesiones.

## Desinstalación e Instalación de Cuchilla

(Fig. L, M)

**! PELIGRO: RIESGO DE LESIONES.** AL REENSAMBLAR EL SISTEMA DE LA CUCHILLA, ASEGÚRESE QUE CADA PARTES SE REINSTALA CORRECTAMENTE, COMO SE DESCRIBE A CONTINUACIÓN. UN ENSAMBLE INCORRECTO DE LA CUCHILLA U OTRAS PARTES DEL SISTEMA DE LA CUCHILLA PUEDE CAUSAR LESIONES GRAVES.

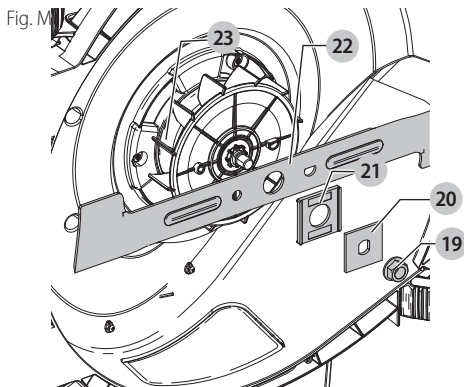
1. Corte una pieza de madera de 2x4 **18** (alrededor de 2 pies de largo) (610 mm) para evitar que la cuchilla gire al quitar la tuerca de brida **19**.

**! ADVERTENCIA:** Use guantes y protección adecuada para los ojos. Ponga la podadora de lado. Tenga cuidado con los bordes afilados de la cuchilla.

2. Coloque la madera y desatornille la tuerca de brida en sentido contrario a las manecillas del reloj con una llave de 18 mm.
3. Anote la orientación de cada pieza a medida que las quite. Quite la tuerca **19**. Extraiga la arandela **20**, el aislador de la hoja **21** y la hoja **22** como se muestra en la Figura M. Examine todas las piezas en busca de daños y replácelas si es necesario.

**NOTA:** No debe ser posible quitar el ventilador **23**.

4. Para volver a ensamblar, deslice la hoja encima. Solo puede instalarse en el ventilador en una dirección y ubicación. Alinee el orificio en forma de D de la hoja con la clavija en forma de D del ventilador, asegurándose de que la inscripción sobre la hoja mire en dirección opuesta a la cortadora de césped. Coloque el aislador sobre la hoja de manera que los dos soportes exteriores se extiendan más allá de la hoja. Coloque la arandela cuadrada encima del aislador de manera que se asiente entre los dos soportes exteriores del aislador. Vuelva a instalar la tuerca con el lado ancho contra la arandela.
5. Para un ajuste firme, coloque la pieza de madera. para evitar que la hoja gire. Ajuste la tuerca con la llave.



### Afilado de Cuchillas (Fig. N)

MANTENGA LA HOJA AFILADA PARA OBTENER EL MEJOR RENDIMIENTO DE LA PODADORA. UNA CUCHILLA SIN FILO NO CORTA LA HIERBA DE FORMA LIMPIA.

**! ADVERTENCIA:** Use guantes y protección adecuada para los ojos mientras saca, afila e instala la cuchilla.

Afilar la cuchilla dos veces durante la temporada de poda suele ser suficiente en circunstancias normales. La arena hace que la cuchilla pierda filo rápidamente. Si su césped tiene tierra arenosa, es posible que se requiera un afilado más frecuente. **REEMPLACE INMEDIATAMENTE UNA CUCHILLA DOBLADA O DAÑADA.**

#### Al Afilar la Cuchilla

- Asegúrese que la cuchilla permanezca balanceada.
- Afile la cuchilla en el ángulo de corte original.
- Afile los bordes de corte en ambos extremos de la cuchilla, eliminando cantidades iguales de material de ambos extremos.

#### Para Afilar la Cuchilla en una Prensa de Banco (Fig. N)

1. Asegúrese de liberar la manija de travesaño, de que la cuchilla se haya detenido y de que se hayan retirado antes de retirar la cuchilla.
2. Retire la cuchilla de la podadora. Vea las instrucciones para **Desinstalación e Instalación de Cuchilla**.
3. Asegure la cuchilla **22** en una prensa **23**.
4. Use guantes y protección adecuada para los ojos y tenga cuidado de no cortarse.
5. Con cuidado, limpie los bordes de corte de la cuchilla con una lima de dientes finos **33** o piedra para afilar, manteniendo el ángulo del borde de corte original.
6. Verifique el balance de la cuchilla. Vea las instrucciones para **Balanceo de la Cuchilla**.
7. Reemplace la cuchilla en la podadora y apriete firmemente.

Fig. L

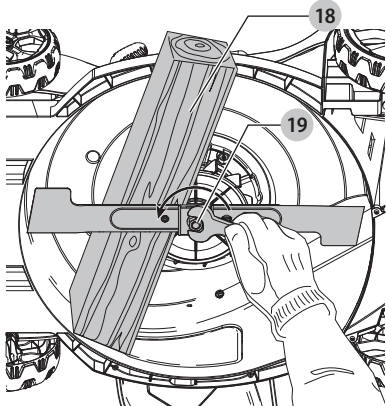
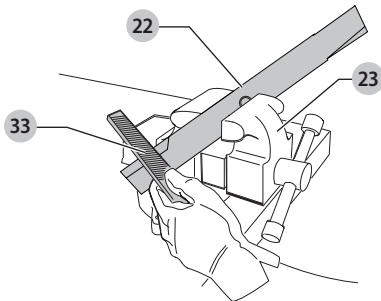


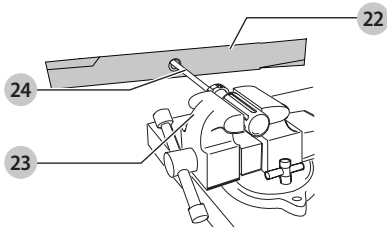
Fig. N



## Balaneo de la cuchilla (Fig. O)

Verifique el equilibrio de la cuchilla **22** colocando el orificio central en la cuchilla sobre un clavo o destornillador redondo **24**, sujeto horizontalmente en una prensa **23**. Si cualquiera de los extremos de la cuchilla gira hacia abajo, lime a lo largo del borde afilado de ese extremo de la caída. La cuchilla está correctamente equilibrada cuando ninguno de los extremos cae.

Fig. O



## Almacenamiento de la Cortadora de Césped (Fig. A, P)

**⚠ ADVERTENCIA:** Una hoja girando puede provocar lesiones graves. Suelte la palanca de suspensión para apagar la cortadora de césped y quite transportarla o almacenarla. Guárdela en un lugar seco.

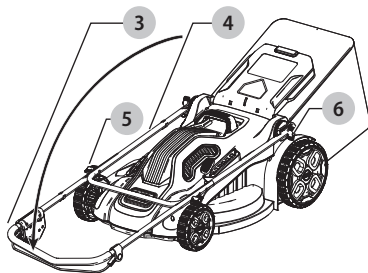
**⚠ ATENCIÓN:** Punto de pellizco. Para evitar pellizcos, mantenga los dedos lejos del área entre los mangos al plegar los mangos.

**⚠ ATENCIÓN:** Asegúrese de que el cable no se estire o pellizque en las articulaciones de los mangos durante el plegado. Esto puede provocar daños en el cable.

El mango de la cortadora de césped puede plegarse fácilmente para un almacenamiento rápido y cómodo.

1. Sosteniendo la manija, abra, pero no retire, las perillas de fijación de la manija inferior **6** y doble la manija hacia la parte delantera de la podadora.
2. Abra, pero no retire, las perillas de fijación de la manija superior **5**, o afloje las perillas, y doble la manija superior **3** sobre la manija inferior **4**.
3. La podadora se debe compactar hacia abajo como se muestra en la Figura P.

Fig. P



## Accesorios

**⚠ ADVERTENCIA:** Debido a que no se han probado con este producto otros accesorios que no sean los que ofrece BLACK+DECKER, el uso de dichos accesorios con esta herramienta podría ser peligroso. Para reducir el riesgo de lesiones, con este producto deben usarse sólo los accesorios recomendados por BLACK+DECKER.

Los accesorios que se recomiendan para utilizar con la herramienta están disponibles a un costo adicional en su distribuidor local o en un centro de mantenimiento autorizado. Si necesita ayuda para localizar algún accesorio, póngase en contacto con BLACK+DECKER1-800-544-6986.

## Limpieza

**⚠ ADVERTENCIA:** Sople la suciedad y el polvo de todos los conductos de ventilación con aire seco, al menos una vez por semana. Para reducir el riesgo de lesiones, utilice siempre protección para los ojos aprobada ANSI Z87.1 al realizar esta tarea.

**⚠ ADVERTENCIA:** Nunca utilice solventes ni otros químicos abrasivos para limpiar las piezas no metálicas de la herramienta. Estos productos químicos pueden debilitar los materiales plásticos utilizados en estas piezas. Utilice un paño humedecido sólo con agua y jabón neutro. Nunca permita que penetre líquido dentro de la herramienta ni sumerja ninguna de las piezas en un líquido.

## Reparaciones

**⚠ ADVERTENCIA:** Para asegurar la SEGURIDAD y la CONFIABILIDAD del producto, las reparaciones, el mantenimiento y los ajustes (inclusive la inspección y el cambio de las escobillas, cuando proceda) deben ser realizados en un centro de mantenimiento en la fábrica BLACK+DECKER u en un centro de mantenimiento autorizado BLACK+DECKER. Utilice siempre piezas de repuesto idénticas.

**Para reparación y servicio de sus herramientas eléctricas, favor de dirigirse al Centro de Servicio más cercano**



**CULIACAN, SIN**

Bldv. Emiliano Zapata 5400-1 Poniente Col. (667) 717 89 99  
San Rafael

**GUADALAJARA, JAL**

Av. La Paz #1779 - Col. Americana Sector (33) 3825 6978  
Juárez

**MEXICO, D.F.**

Eje Central Lázaro Cárdenas No. 18 - Local (55) 5588 9377  
D, Col. Obrera

**MERIDA, YUC**

Calle 63 #459-A - Col. Centro (999) 928 5038

**MONTERREY, N.L.**

Av. Francisco I. Madero 831 Poniente - Col. (818) 375 23 13  
Centro

**PUEBLA, PUE**

17 Norte #205 - Col. Centro (222) 246 3714

**QUERETARO, QRO**

Av. San Roque 274 - Col. San Gregorio (442) 2 17 63 14

**SAN LUIS POTOSI, SLP**

Av. Universidad 1525 - Col. San Luis (444) 814 2383

**TORREON, COAH**

Bldv. Independencia, 96 Pte. - Col. Centro (871) 716 5265

**VERACRUZ, VER**

Prolongación Díaz Mirón #4280 - Col. (229) 921 7016  
Remes

**VILLAHERMOSA, TAB**

Constitución 516-A - Col. Centro (993) 312 5111

**PARA OTRAS LOCALIDADES:**

**Si se encuentra en México, por favor llame al  
(55) 5326 7100**

**Si se encuentra en U.S., por favor llame al**

**Póliza de Garantía**

IDENTIFICACIÓN DEL PRODUCTO:

Sello o firma del Distribuidor.

Nombre del producto: \_\_\_\_\_

Mod./Cat.: \_\_\_\_\_

Marca: \_\_\_\_\_

Núm. de serie: \_\_\_\_\_

(Datos para ser llenados por el distribuidor)

Fecha de compra y/o entrega del producto: \_\_\_\_\_

Nombre y domicilio del distribuidor donde se adquirió el producto: \_\_\_\_\_

Este producto está garantizado por un año a partir de la fecha de entrega, contra cualquier defecto en su funcionamiento, así como en materiales y mano de obra empleados para su fabricación. Nuestra garantía incluye la reparación o reposición del producto y/o componentes

sin cargo alguno para el cliente, incluyendo mano de obra, así como los gastos de transportación razonablemente erogados derivados del cumplimiento de este certificado. Para hacer efectiva esta garantía deberá presentar su herramienta y esta póliza sellada por el establecimiento comercial donde se adquirió el producto, de no contar con ésta, bastará la factura de compra.

**Excepciones**

Esta garantía no será válida en los siguientes casos:

- Cuando el producto se hubiese utilizado en condiciones distintas a las normales;
- Cuando el producto no hubiese sido operado de acuerdo con el instructivo de uso que se acompaña;
- Cuando el producto hubiese sido alterado o reparado por personas distintas a las enlistadas al final de este certificado.

Anexo encontrará una relación de sucursales de servicio de fábrica, centros de servicio autorizados y franquiciados en la República Mexicana, donde podrá hacer efectiva su garantía y adquirir partes, refacciones y accesorios originales.

Solamente para propósito de México:

Importado por: BLACK+DECKER Tool Co. S.A. de C.V.

Avenida Antonio Dovali Jaime, # 70 Torre B Piso 9

Colonia La Fe, Santa Fé

Código Postal : 01210

Delegación Alvaro Obregón

México D.F.

Tel. (52) 555-326-7100

R.F.C.: BDE810626-1W7

**Prevención de la Corrosión (Fig. A)**

Los fertilizantes y otros productos químicos para el jardín contienen agentes que aceleran considerablemente la corrosión de los metales. Si corta el césped en áreas donde se han utilizado fertilizantes o productos químicos, se debe limpiar la podadora inmediatamente después del modo siguiente: Suelte el mango de suspensión para apagar la cortadora de césped. Desenchufe la cortadora de césped. Limpie todas las piezas expuestas con un paño húmedo.



**ATENCIÓN: NO VIERTA NI ROCÍE AGUA SOBRE LA PODADORA PARA LIMPIARLA. No guarde la herramienta sobre o junto a fertilizantes o productos químicos. Dicho almacenamiento puede provocar una rápida corrosión.**

**Cumple con los Requisitos de Seguridad CPSC**

BLACK+DECKER Cortadoras se ajustan a las normas de seguridad del American National Standards Institute, y de la Comisión de Seguridad de Productos del Consumidor EE.UU.. La cuchilla gira cuando el motor está en marcha.



## Registro

Gracias por su compra. Registre su producto ahora para:

- **SERVICIO EN GARANTÍA:** Si completa esta tarjeta, podrá obtener un servicio en garantía más eficiente, en caso de que exista un problema con su producto.
- **CONFIRMACIÓN DE PROPIEDAD:** En caso de una pérdida que cubra el seguro, como un incendio, una inundación o un robo, el registro de propiedad servirá como comprobante de compra.
- **PARA SU SEGURIDAD:** Si registra el producto, podremos comunicarnos con usted en el caso improbable que se deba enviar una notificación de seguridad conforme a la Federal Consumer Safety Act (Ley Federal de Seguridad de Productos para el Consumidor). [www.BlackandDecker.com/NewOwner](http://www.BlackandDecker.com/NewOwner).

**AMÉRICA LATINA:** Esta garantía no aplica a productos vendidos en América Latina. Para productos vendidos en América Latina, revise la información de garantía específica contenida en el empaque, llame a la compañía local o consulte la página de Internet respecto a tal información.

Imported by Black & Decker (U.S.) Inc.,  
701 E. Joppa Rd.  
Towson, MD 21286



[BlackandDecker.com](http://BlackandDecker.com)  
(1-800-433-9258)

## GARANTÍA LIMITADA DE DOS AÑOS

Black & Decker (EUA) Inc. garantiza que este producto está libre de defectos en material o mano de obra por un periodo de dos (2) años a partir de la fecha de compra, previendo que el producto se use en un ambiente doméstico. Esta garantía limitada no cubre fallas debidas a abuso, daño accidental o cuando se hayan realizado o intentado reparaciones por cualquier otra persona diferente a BLACK+DECKER y sus Centros de Servicio Autorizados. Un producto defectuoso que cumpla con las condiciones de la garantía establecidas en el presente se reemplazará o reparará sin cargo en cualquiera de dos maneras:

La primera, que resultará en intercambios únicamente, es devolver el producto al minorista en donde se compró (previendo que la tienda sea un minorista participante). Las devoluciones se deben realizar dentro del periodo de tiempo de la política de intercambios del minorista. Se puede requerir un comprobante de compra. Por favor revise con el minorista su política de devolución específica respecto a los límites de tiempo para devoluciones o intercambios. La segunda opción es llevar o enviar el producto (prepagado) a un Centro de Servicio propiedad o autorizado por BLACK+DECKER para reparación o reemplazo a opción de BLACK+DECKER. Se puede requerir un comprobante de compra. Los centros de servicio propiedad o autorizados por BLACK+DECKER se indican en línea en [www.blackanddecker.com](http://www.blackanddecker.com). Esta garantía no aplica a los accesorios. Esta garantía le da derechos legales específicos y puede tener otros derechos que varían de estado a estado o de una provincia a otra. Si tiene cualquier pregunta, póngase en contacto con el gerente de su Centro de Servicio BLACK+DECKER más cercano. Este producto no está diseñado para uso comercial, y de forma correspondiente, tal uso comercial de este producto anulará la garantía. Se renuncia a todas las demás garantías, expresas o implícitas, por medio del presente.

## SOLUCIÓN DE PROBLEMAS



**PELIGRO:** Para reducir el riesgo de lesiones personales, apague la unidad y desconéctela de la fuente de energía antes de realizar cualquier ajuste o retirar/instalar conexiones o accesorios. Una activación de arranque accidental puede causar lesiones.

Si tiene alguna pregunta o comentario sobre esta o cualquier herramientaBLACK+DECKER, llámenos sin cargo al: 1-800-544-6986.

PROBLEMA	SOLUCIÓN
La podadora no funciona cuando se activa la manija de travesaño	<p>Revise para asegurarse de que la cortadora de césped esté debidamente enchufada y que el botón de la caja del interruptor esté completamente oprimido antes de tirar del mango de suspensión.</p> <p>Suelte el mango de suspensión para apagar la cortadora de césped. Desenchufe la cortadora de césped. Voltee la cortadora de césped y revise que la hoja pueda girar libremente.</p>
El motor se detiene al cortar	<p>Suelte el mango de suspensión para apagar la cortadora de césped. Desenchufe la cortadora de césped. Voltee la cortadora de césped y revise que la hoja pueda girar libremente.</p> <p>Eleve la altura de corte de las ruedas a la posición más alta y encienda la podadora.</p> <p>Evite sobrecargar la podadora. Reduzca el ritmo de corte o eleve la altura de corte.</p>
La podadora funciona, pero el desempeño de corte no es satisfactorio, o no corta todo el césped	<p>Suelte el mango de suspensión para apagar la cortadora de césped. Desenchufe la cortadora de césped. Voltee la cortadora de césped y revise que:</p> <p>El filo de la hoja. Mantenga la hoja afilada.</p> <p>No haya obstrucciones en la plataforma o en el conducto de descarga</p> <p>Es posible que el ajuste de altura de las ruedas se haya fijado demasiado bajo para el estado del césped. Eleve la altura de corte.</p>
La podadora es muy difícil de empujar	<p>Suelte el mango de suspensión para apagar la cortadora de césped. Desenchufe la cortadora de césped. Eleve la altura de corte para reducir el arrastre de la plataforma sobre el césped. Revise que cada rueda gire libremente.</p>
La podadora es anormalmente ruidosa y vibra	<p>Suelte el mango de suspensión para apagar la cortadora de césped. Desenchufe la cortadora de césped. Voltee la cortadora de césped sobre el costado y revise la hoja para asegurarse de que no esté doblada o dañada. Si la hoja está dañada, reemplácela con una hoja de repuesto BLACK+DECKER. Si la parte inferior de la plataforma está dañada, devuelva la podadora a un centro de servicio autorizado BLACK+DECKER.</p> <p>Si no hay daños visibles en la cuchilla y la cortadora aún vibra: Libere la manija de travesaño para apagar la podadora. Desmonte todo el ensamble de la cuchilla como se describe en la sección <b>Desinstalación e instalación de la cuchilla</b>. Retire cualquier suciedad y limpie cada pieza. Reemplace cada pieza como se describe en la sección <b>Desinstalación e instalación de la cuchilla</b>. Si la podadora aún vibra, devuelva la podadora a un centro de servicio autorizado por BLACK+DECKER.</p>
La podadora no recoge recortes con la bolsa	<p>Conducto obstruido. Suelte el mango de suspensión para apagar la cortadora de césped. Desenchufe la cortadora de césped. Limpie el conducto de recortes de césped.</p> <p>Aumente la altura de corte de las ruedas para acortar la longitud del corte.</p> <p>Bolsa llena. Vacíe la bolsa más a menudo.</p>



