

bev 
by

BLACK+
DECKER™

INSTRUCTION MANUAL
MODE D'EMPLOI
MANUAL DE INSTRUCCIONES

CORDED COCKTAIL MAKER
MACHINE À COCKTAILS À FIL
COCTELERA ALÁMBRICA

BEHB101

Please read before returning this product for any reason.

À lire avant de retourner ce produit pour quelque raison que ce soit.

Lea el manual antes de devolver este producto por cualquier motivo.

Components

- 1 Jack plug
- 2 Plug port
- 3 Drip tray
- 4 Drip tray cover
- 5 Drip tray cover finger hole
- 6 Bottle platform
- 7 Straws (6)
- 8 Straw locks (6)
- 9 Straw tips (6)
- 10 Straw slots (6)
- 11 Straw plug (6)
- 12 Straw plug notch (6)
- 13 Bottle stoppers (6)
- 14 Power switch
- 15 Strength LEDs (4)
- 16 Bottle LEDs (6)
- 17 Glass shelf
- 18 Tower
- 19 Shaker LED
- 20 Capsule (not included)
- 21 Capsule holder
- 22 Capsule holder lid
- 23 Capsule cup
- 24 Capsule tab
- 25 Strength selector dial
- 26 Mix button
- 27 Party mode button
- 28 Cleaning mode button
- 29 Water bottle
- 30 Straw cleaner

Composants

- 1 Connecteur mâle
- 2 Port de la prise
- 3 Ramasse-gouttes
- 4 Couvreclie du ramasse-gouttes
- 5 Trou pour doigt du couvercle du ramasse-gouttes
- 6 Plateforme de la bouteille
- 7 Pailles (6)
- 8 Verrous pour paille (6)
- 9 Embouts de paille (6)
- 10 Fentes de paille (6)
- 11 Bouchon de paille (6)
- 12 Encoche pour bouchon de paille (6)
- 13 Bouchons de bouteille (6)
- 14 Interrupteur
- 15 DEL pour teneur en alcool (4)
- 16 DEL pour bouteille (6)
- 17 Tablette de verre
- 18 Tour
- 19 DEL pour mélangeur
- 20 Capsule (non incluse)
- 21 Porte-capsule
- 22 Couvercle du porte-capsule
- 23 Gobelet à capsule
- 24 Languette de la capsule
- 25 Sélecteur de teneur en alcool
- 26 Bouton de mélange
- 27 Bouton mode fête
- 28 Bouton du mode de nettoyage
- 29 Bouteille d'eau
- 30 Nettoyeur de paille

Componentes

- 1 Conector
- 2 Puerto de enchufe
- 3 Bandeja de goteo
- 4 Cubierta de bandeja de goteo
- 5 Orificio para dedo de cubierta de bandeja de goteo
- 6 Plataforma para botellas
- 7 Popotes (6)
- 8 Seguros de popote (6)
- 9 Puntas de popote (6)
- 10 Ranuras para popotes (6)
- 11 Tapón de popote (6)
- 12 Muesca de tapón de popote (6)
- 13 Retenes para botellas (6)
- 14 Interruptor de energía
- 15 LEDs de intensidad (4)
- 16 LEDs de botella (6)
- 17 Estante de vidrio
- 18 Torre
- 19 LED de agitador
- 20 Cápsula (no incluida)
- 21 Portacápsulas
- 22 Tapa de portacápsulas
- 23 Copa de cápsula
- 24 Lengüeta de cápsula
- 25 Selector de intensidad
- 26 Botón de mezcla
- 27 Botón de modo fiesta
- 28 Botón de modo de limpieza
- 29 Botella de agua
- 30 Limpiador de popote

Fig. A

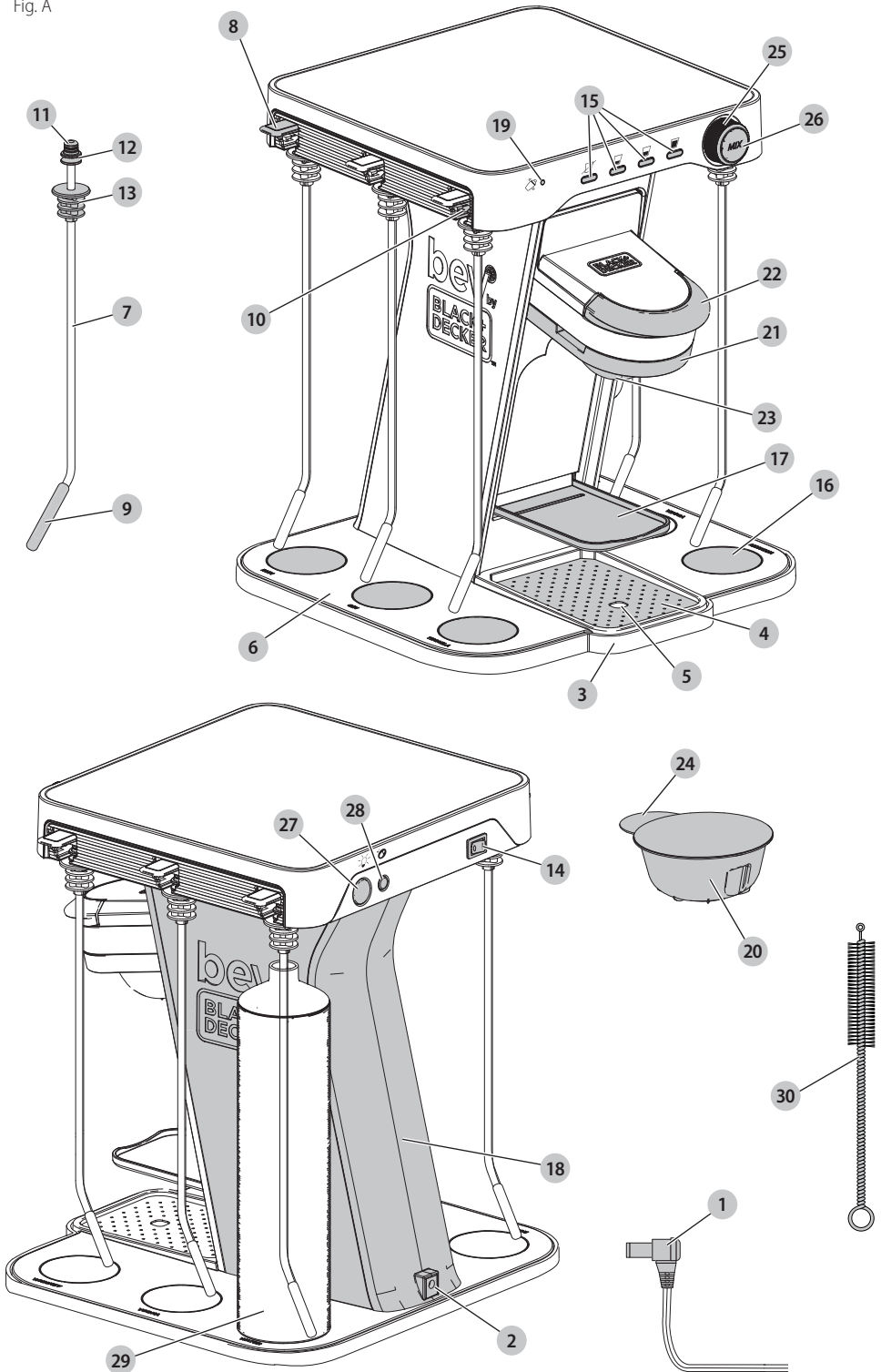


Fig. B

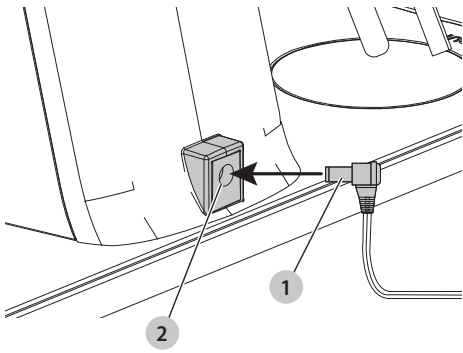


Fig. C

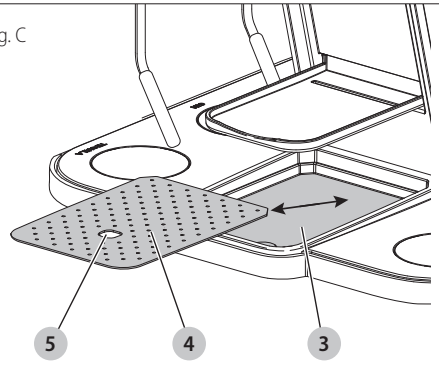


Fig. D

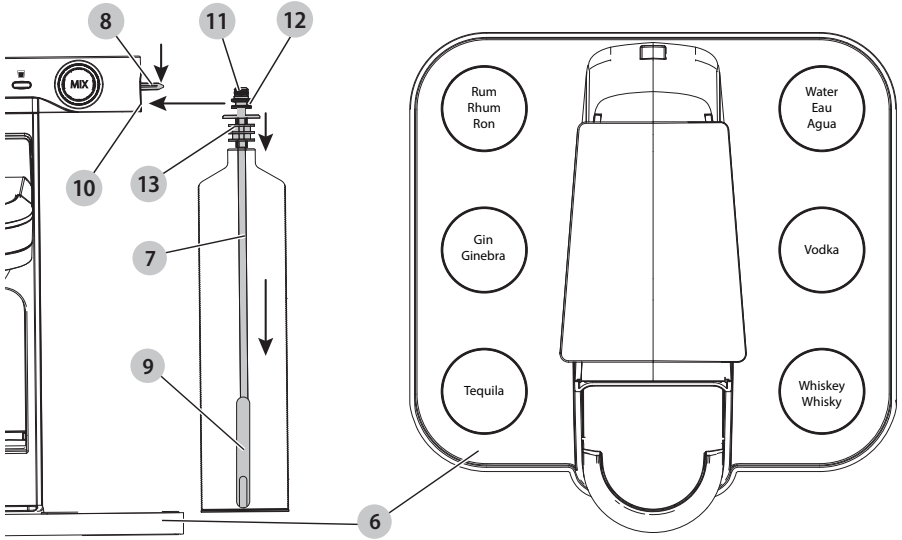


Fig. E

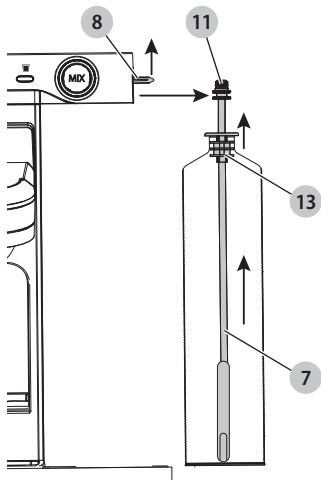


Fig. F

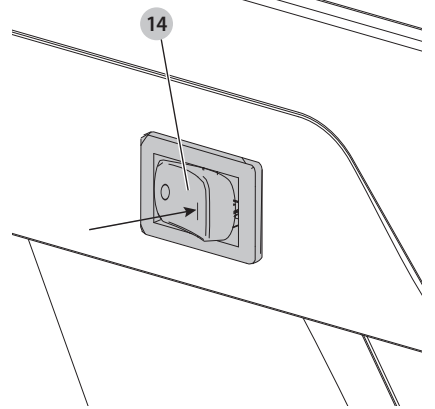


Fig. G

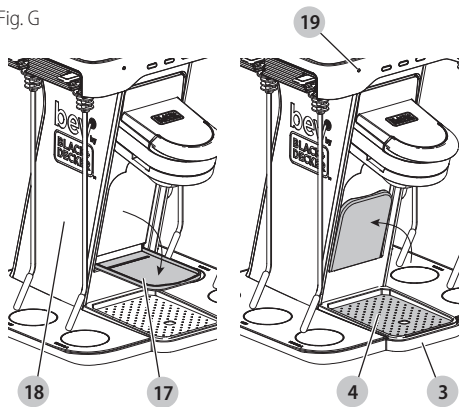


Fig. H

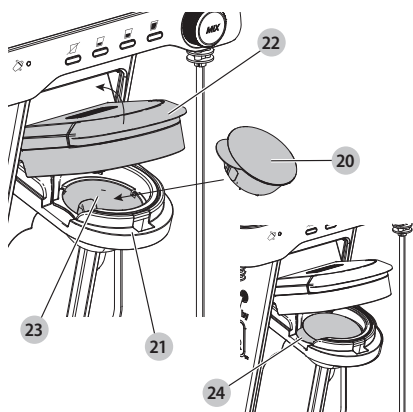


Fig. I

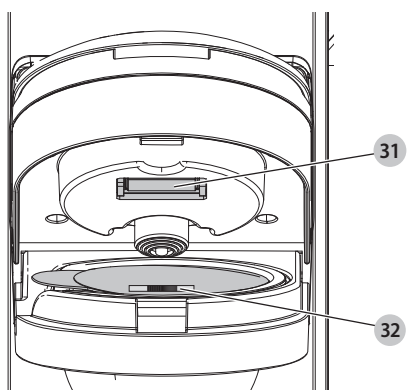


Fig. J

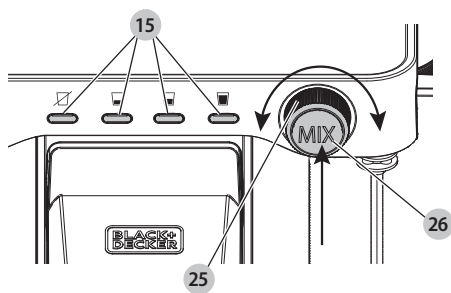


Fig. K

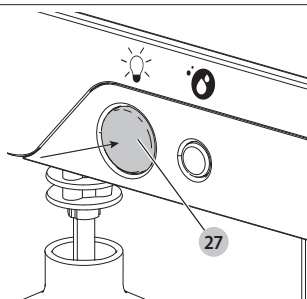


Fig. L

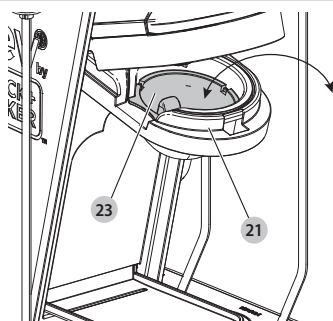
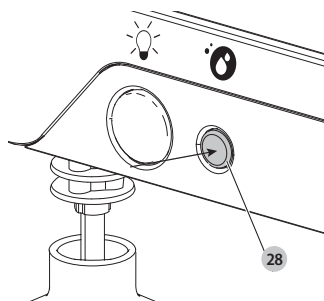




Fig. M



 **WARNING: Read all safety warnings and all instructions.** Failure to follow the warnings and instructions may result in electric shock, fire and/or serious injury.

 **WARNING:** To reduce the risk of injury, read the instruction manual.


Intended Use


This appliance is intended for residential use only for mixing cocktails by adults of legal drinking age.


DO NOT let children come into contact with the appliance.

Definitions: Safety Alert Symbols and Words

This instruction manual uses the following safety alert symbols and words to alert you to hazardous situations and your risk of personal injury or property damage.

 **DANGER:** Indicates an imminently hazardous situation which, if not avoided, **will** result in **death or serious injury**.


 **WARNING:** Indicates a potentially hazardous situation which, if not avoided, **could** result in **death or serious injury**.

 **CAUTION:** Indicates a potentially hazardous situation which, if not avoided, **may** result in **minor or moderate injury**.

 (Used without word) Indicates a safety related message.

NOTICE: Indicates a practice **not related to personal injury** which, if not avoided, **may** result in **property damage**.

IMPORTANT SAFEGUARDS

 **WARNING:** When using electrical appliances, basic safety precautions should always be followed to reduce the risk of fire, electric shock, and/or injury, including the following:

- Read and save all safety warnings, instructions, and cautionary markings for appliance, alcohol, and capsules.
- This appliance is intended for adults of legal drinking age. This appliance should not be used by children or by persons with reduced physical, sensory, or mental capabilities, or lack of experience and knowledge. Close supervision is necessary when any appliance is used near children. Children should be supervised to ensure that they do not play with the appliance.
- Always drink responsibly.
- To protect against risk of electrical shock, do not immerse appliance, motor, cord, or plug in water or other liquid. Do not use the appliance in the bathroom, near water, or in adverse weather conditions.
- Only use the power adaptor supplied by the manufacturer.
- Unplug when not in use, during external cleaning, or when making adjustments.
- Do not abuse the cord. Use the plug, never the cord, for unplugging the appliance. Replace damaged cord or plug immediately.

- Do not operate any appliance after the appliance malfunctions, or is dropped or damaged in any manner. Call the appropriate toll-free number in this manual.
- Do not use broken, chipped, or cracked bottles of alcohol.
- The use of attachments not recommended or sold by the appliance manufacturer may cause fire, electric shock, or injury; do not use attachments or appliances for anything other than intended use.
- This appliance is not intended for commercial, professional, or industrial use. It is designed and built exclusively for household use.
- Do not place appliance on, near, or in a hot item such as a stove, oven, pot, or container.
- Do not touch puncturing needles inside the pod holder. The needles are sharp. Handle carefully with your hands away from cutting edge. Always store out of reach of children with the pod holder closed.
- Do not use the appliance with wet hands.
- Never modify the appliance, attachments, or any parts thereof.

SAVE THESE INSTRUCTIONS.












This product is for household use only.

- **Do not use an extension cord unless it is absolutely necessary.** Use of improper extension cord could result in risk of fire, electric shock, or electrocution
- **An extension cord must have adequate wire size (AWG or American Wire Gauge) for safety.** The smaller the gauge number of the wire, the greater the capacity of the cable, that is, 16 gauge has more capacity than 18 gauge. An undersized cord will cause a drop in line voltage resulting in loss of power and overheating. When using more than one extension to make up the total length, be sure each individual extension contains at least the minimum wire size. The following table shows the correct size to use depending on cord length and nameplate ampere rating. If in doubt, use the next heavier gauge. The lower the gauge number, the heavier the cord.


Minimum Gauge for Cord Sets					
Volts	Total Length of Cord in Feet (meters)				
120 V	25 (7.6)	50 (15.2)	100 (30.5)	150 (45.7)	
240 V	50 (15.2)	100 (30.5)	200 (61.0)	300 (91.4)	
Ampere Rating		American Wire Gauge			
More Than	Not More Than				
0	6	18	16	16	14
6	10	18	16	14	12
10	12	16	16	14	12
12	16	14	12	Not Recommended	

The label on your tool may include the following symbols. The symbols and their definitions are as follows:

- V volts
- Ⓛ Class I Construction (grounded)
- Hz hertz
- min minutes
- .../min per minute
- == or DC direct current
- BPM beats per minute

IPM.....	impacts per minute	n ₀	no load speed
OPM.....	oscillations per minute	n.....	rated speed
RPM.....	revolutions per minute	PSI.....	pounds per square inch
sfpm.....	surface feet per minute		earthing terminal
SPM.....	strokes per minute		safety alert symbol
A.....	amperes		visible radiation do not stare into the light
W.....	watts		wear respiratory protection
Wh.....	watt hours		wear eye protection
Ah.....	amp hours		wear hearing protection
 or AC.....	alternating current		read all documentation
 or AC/DC.....	alternating or direct current		do not expose to rain
	Class II Construction (double insulated)		

ASSEMBLY AND ADJUSTMENTS

 **WARNING:** To reduce the risk of serious personal injury, turn appliance off and disconnect appliance from power source before making any adjustments or removing/installing attachments or accessories. An accidental start-up can cause injury.


Installing Cord (Fig. B)

- Place the cocktail maker upright on a flat, level, stable surface.
- Insert the jack plug **1** of the cord into the plug port **2**.
- Plug the other end of the cord into an outlet.

Installing Coaster (Fig. C)

- Place the drip tray cover into the drip tray **3** so the rounded and slanted corners of the cover line up with the rounded and slanted corners of the drip tray.
- Ensure the cover sits fully inside the drip tray.
- To remove the cover, lift from the drip tray cover finger hole **5**.

Installing Bottles (Fig. D)

 **WARNING:** Only use water in the supplied water bottle. Use of other liquids or substances in the water bottle may result in damage to the appliance.

 **CAUTION:** Avoid spills while installing bottles.

NOTE: It is recommended to use 750 ml bottles or smaller to ensure all bottles sit on the bottle platform **6** without hanging off the platform.

NOTE: Bottles must fit between the bottle platform and the top of the cocktail maker while standing.

- Slide a straw **7** into a bottle so the straw tip **9** sits on the bottom of the bottle.
- Slide the bottle stopper **13** down the straw until it sits fully in the top of the bottle.
- Ensure the straw lock **8** is up.
- Align the straw plug notch **12** with the straw slot **10**.


- Slide the straw plug **11** all the way into the straw slot, allowing the bottle to sit freely in its designated space. Ensure the straw plug is fully seated in the slot
- To lock it into place, push the straw lock down until it clicks. Ensure the lever is fully down.
- Repeat for all bottles.

IMPORTANT: Bottles must be placed in their designated space to ensure the correct drink is dispensed. Names of the liquids are located in each spot, indicating the appropriate liquid.

IMPORTANT: The following are the only liquids that should be used with the appliance.

- Water
- Gin
- Rum
- Vodka
- Tequila
- Whiskey

Removing Bottles (Fig. E)

 **CAUTION:** Avoid spills while removing bottles.


- Lift the straw lock **8**.
- Slide the straw plug **11** and bottle off the cocktail maker.
- Pull the bottle stopper **13** out of the bottle and remove the straw **7**.

NOTE: If the cocktail maker pauses for an empty bottle and you press mix without replacing the bottle, it will skip to the next bottle in the recipe. If that bottle is empty, it will pause again. Refer to the PAUSE MODE section for more information.

OPERATION

 **WARNING:** To reduce the risk of serious personal injury, turn unit off and disconnect it from power source before making any adjustments or removing/installing attachments or accessories. An accidental start-up can cause injury.

On/Off (Fig. F)

 **WARNING:** Do not interact with the cocktail maker while it is operating.

- To turn the cocktail maker on, push the "I" side of the power switch **14**. The 4 strength LEDs **15** and 6 bottle LEDs **16** will blink. When they become solid, the cocktail maker is ready to use.
- To turn the cocktail maker off, push the "O" side of the power switch. All LEDs will turn off.

Choose a Glass Tray (Fig. G)

Place a glass or shaker on either the glass shelf **17** or drip tray **3**, depending on the height of the glass being used. Refer to the cocktail image on the capsule **20** for glass style.

NOTE: A glass or shaker must be in place before making a drink to avoid spillage.

Short glass:

- Pull the glass shelf down so it stands straight out from the tower **18**.
- Place a small glass on the glass shelf.

Tall glass:

1. Push the glass shelf up so it hides away in the tower.
2. Ensure the drip tray cover **4** is in place.
3. Place a tall glass on the drip tray cover.

Shaker:

The shaker LED **19** will light when a drink needs to be shaken. In this case, use a shaker instead of a tall glass.

1. Push the glass shelf up so it hides away in the tower.
2. Ensure the drip tray cover is in place.
3. Place a shaker on the drip tray cover.

Inserting a Capsule (Fig. H, I)

WARNING: Cut Hazard. Do not probe capsule holder area with fingers.



WARNING: Pinch point. Keep away from capsule holder when closing capsule holder lid.



WARNING: Use only Bartsian capsule. Use with any other capsule may result in damage to the appliance.

IMPORTANT: Do not open capsule **20**.

IMPORTANT: Once the capsule is punctured, it may drip liquid. To avoid this, place a capsule in the capsule holder **21** just before mixing a drink.

1. Before inserting a capsule, place a glass or shaker on the glass shelf **17** or drip tray **3** as described in the CHOOSE A GLASS TRAY section
2. Select the capsule you wish to use.
3. To open the capsule holder, lift the capsule holder lid **22** until it clicks into place.
4. **Ensure the bar code **32** is clean from liquid and debris. Wipe your thumb across the bar code before inserting capsule into capsule holder.**
5. Place the capsule in the capsule cup **23** located in the holder. Ensure the capsule tab **24** faces to the left. The cocktail maker will not operate if the capsule is inserted any other way.
6. Ensure the capsule sits fully in the capsule cup.

NOTE: The scanner inside the capsule holder scans the code on top of the capsule. This allows the cocktail maker to pull from the correct bottles so it dispenses the correct drink.

7. Push the capsule holder lid down to close the capsule holder until it clicks. Ensure the lid is fully closed before operating.

NOTE: If the capsule code is successfully read, the bottle LEDs **16** will light under the bottles that are being used. Ensure each bottle is in its correct place.

NOTE: If lights do not turn on, lift the capsule holder lid and use a clean, dry towel to wipe the barcode scanner **31** and the capsule barcode **32** as shown in Fig. I. Then, repeat step 6.

Select Alcohol Strength (Fig. J)

To select the amount of alcohol to be dispensed into the drink, turn the strength selector dial **25**.

- **Left:** less alcohol
- **Right:** more alcohol

The strength LEDs **15** will turn on and off as you turn the selector, indicating the strength of the drink.

- ☒ - mocktail (no alcohol)

- ☐ - light alcohol content
- ☒ - regular alcohol content
- ☒ - strong alcohol content

Making a Drink (Fig. F–J)

WARNING: To ensure liquor is not dispensed while making a mocktail, lift straw locks **8** for the alcohol bottles and keep the water bottle straw lock down.

1. Turn the cocktail maker on as described in the ON/OFF section.
2. Place a glass or shaker on the glass shelf **17** or drip tray **3** depending on its height as described in the CHOOSE A GLASS TRAY section.
3. Insert the desired capsule **20** into the capsule holder **21** as described in the INSERTING CAPSULE section.
4. Turn the strength selector dial **25** to set the alcohol content as described in the SELECT ALCOHOL STRENGTH section.
5. Bottles used for the drink recipe will light up. Ensure bottles are installed in all locations illuminated.
6. Push the mix button **26** to begin making a drink.
7. The bottle LED will light under the bottle whose liquid is being dispensed.
8. It is complete when all the LEDs become solid.
9. Remove the capsule before removing the glass. The capsule may drip when it is being removed and if left in the holder.

NOTE: While making a drink, if the power button is turned off, the appliance is unplugged, or after one minute in pause mode, the mixing process will be reset, ending the mixing of the current drink. If this happens, a small amount of alcohol may remain in the internal lines. To ensure the next drink is not mixed with this remaining alcohol, clean the lines as described in the CLEANING MODE section before mixing another drink. To resume making the drink while in pause mode, refer to the PAUSE MODE section.

NOTE: If the cocktail maker continues to dispense to the point of overflow, turn the appliance off, lift the straw lock, or lift the capsule holder lid **22**.

Bottle Runs Out During Mixing (Fig. F, J)

If a bottle runs out of liquid while the cocktail maker is mixing a drink:

- The cocktail mixer will enter pause mode for 2 minutes to allow you to replace the empty bottle. Refer to the PAUSE MODE section for more information.
- Do not turn the power switch **14** off. Turning it off will reset the mixing process and the cartridge will no longer be able to be used.

NOTE: The unit will not flush the lines while the capsule holder lid **22** is lifted.

To replace the empty bottle:

1. Remove the bottle as described in the REMOVING BOTTLES section.
2. Install the a new bottle as described in the INSTALLING BOTTLES section.
3. Press the mix button **26** to resume mixing the drink from where it left off.

Pause Mode

Pause mode lasts for 2 minutes. The strength LEDs **15** will light to indicate the time remaining.

3 solid, 1 flashing	1:30 - 2 min. remaining
2 solid, 1 flashing	1 - 1:30 min. remaining
1 solid, 1 flashing	30 sec. - 1 minute remaining
1 flashing	less than 30 sec.

- Press and hold the mix button for 3 seconds to cancel pause mode.
- If the LED countdown finishes before the drink mixing resumes or pause mode is cancelled, the unit will pump a small amount of water to flush the lines. The cocktail maker will reset to its original mode and the drink will no longer be mixed. If there is no water loaded into the cocktail maker, the unit will flush the lines with air.

NOTE: The unit will not flush the lines while the capsule holder lid **22** is lifted.

Pause mode is triggered three ways.

- The mix button is pressed.
 - Press the mix button once more to resume.
- The capsule holder lid is open.
 - Close the lid and press the mix button.
- A bottle runs out of liquid
 - Replace the empty bottle as described in the BOTTLE RUNS OUT DURING MIXING section.

Turn on Party Mode LEDs (Fig. K)

The bottle LEDs **16** can be set to flash in a preset pattern.

1. Turn the cocktail maker on by pushing the "I" side of the power switch **14**. All 6 bottle LEDs will light.
2. Press the party mode button **27** once to set party mode. The LEDs will begin flashing.
3. Press the party mode button a second time to turn all bottle LEDs off.
4. Press the party mode button a third time to turn all bottle LEDs back on.

MAINTENANCE



WARNING: To reduce the risk of serious personal injury, turn unit off and keep away from power switch before making any adjustments or removing/installing attachments or accessories. An accidental start-up can cause injury.

Your BLACK+DECKER appliance has been designed to operate over a long period of time with a minimum of maintenance. Continuous satisfactory operation depends upon proper appliance care and regular cleaning.

Cleaning (Fig. C)



WARNING: Never use solvents or other harsh chemicals for cleaning the non-metallic parts of the appliance. These chemicals may weaken the plastic materials used in these parts. Use a cloth dampened only with water and mild soap. Never let any liquid get

inside the appliance; never immerse any part of the appliance into a liquid.



CAUTION: Straws, bottle stoppers, capsule cup, drip tray cover, and water bottle are top-rack dishwasher safe. It is recommended that you manually rinse the attachments before placing them in the dishwasher.

- Clean the inside of the straws with warm water, mild soap, and the provided straw cleaner **30**.
- Clean all external parts with a cloth dampened with warm water and mild soap.
- Remove the capsule cup **23** by pulling it up and out of the capsule holder **21**. To reinstall the cup, slide it into the capsule holder and press down. Ensure the cup sits fully and securely inside the capsule holder.

Cleaning Mode (Fig. E, I, L, M)

It is recommended to clean the liquid lines of the cocktail maker at least once a month.

1. Remove the capsule **20** from the capsule holder **21**. Ensure the capsule cup **23** remains in place.
2. Place a large glass that holds at least 10 oz (300 ml) on the drip tray **3**.
3. Remove the bottles as described in the REMOVING BOTTLES section.
4. Fill a glass with at least 2 oz (60 ml) of water.
5. Place a straw **7** in the glass and install the straw as described in the INSTALLING BOTTLES section.
6. Repeat steps 1 - 5 for all bottles.
7. Press the cleaning mode button **28** for 6 seconds.
8. Once the unit starts pumping water, let go of the cleaning mode button.
9. The bottle LEDs **16** will light one at a time to indicate which line is being cleaned. Once all LEDs turn on, the process is complete.
10. Water may splash on the barcode scanner **31**. Use a clean, dry towel to wipe the barcode scanner and surrounding area.
11. Install the bottles as described in the INSTALLING BOTTLES section.

Accessories



WARNING: Since accessories, other than those offered by BLACK+DECKER, have not been tested with this product, use of such accessories with this product could be hazardous. To reduce the risk of injury, only BLACK+DECKER recommended accessories should be used with this product.

Recommended accessories for use with your product are available at extra cost from your local dealer or authorized service center. If you need assistance in locating any accessory, please contact BLACK+DECKER call **1-800-544-6986**.

Storage

- Clean out the liquid lines as described in the CLEANING MODE section.
- Switch off the appliance.

ENGLISH

- *Always store disconnected from power supply!*
- *Store in a place that is as cool and dry as possible.*
- *Store in a place where it cannot be accessed by children or unauthorized persons.*
- *Remove all bottles, capsules, straws, and stoppers from the appliance when storing for long periods of time.*
- *Check the appliance for damage before use after long periods of storage.*

Transport

- *Always transport your products disconnected from power supply.*
- *Turn power switch to the off position.*
- *Check the appliance for damage before use after transport*
- *Remove all bottles, capsule, straws, and stoppers from the appliance for transport.*
- *Do not transport with bottles installed.*

Technical Data

12VDC 1000mA

Register Online

Thank you for your purchase. Register your product now for:

- **WARRANTY SERVICE:** Registering your product will help you obtain more efficient warranty service in case there is a problem with your product.
- **CONFIRMATION OF OWNERSHIP:** In case of an insurance loss, such as fire, flood or theft, your registration of ownership will serve as your proof of purchase.
- **FOR YOUR SAFETY:** Registering your product will allow us to contact you in the unlikely event a safety notification is required under the Federal Consumer Safety Act.
- Register online at **www.BlackandDecker.com/**
NewOwner

TWO-YEAR LIMITED WARRANTY

Black & Decker (U.S.) Inc. warranties this product to be free from defects in material or workmanship for a period of two (2) years following the date of purchase, provided that the product is used in a home environment. This limited warranty does not cover failures due to abuse, accidental damage or when repairs have been made or attempted by anyone other than BLACK+DECKER and its Authorized Service Centers. A defective product meeting the warranty conditions set forth herein will be replaced or repaired at no charge in either of two ways:

The first, which will result in exchanges only, is to return the product to the retailer from whom it was purchased (provided that the store is a participating retailer). Returns should be made within the time period of the retailer's policy for exchanges. Proof of purchase may be required. Please check with the retailer for its specific return policy regarding time limits for returns or exchanges. The second option is to take or send the product (prepaid) to a BLACK+DECKER owned or authorized Service Center for repair or replacement at BLACK+DECKER's option. Proof of purchase may be required. BLACK+DECKER owned and authorized service centers are listed online at [ww.blackanddecker.com](http://www.blackanddecker.com). This


warranty does not apply to accessories. This warranty gives you specific legal rights and you may have other rights which vary from state to state or province to province. Should you have any questions, contact the manager of your nearest BLACK+DECKER Service Center. This product is not intended for commercial use, and accordingly, such commercial use of this product will void this warranty. All other guarantees, express or implied, are hereby disclaimed.


LATIN AMERICA: This warranty does not apply to products sold in Latin America. For products sold in Latin America, check country specific warranty information contained in the packaging, call the local company or see the website for such information.

Imported by Black & Decker (U.S.) Inc.,
701 E. Joppa Rd.
Towson, MD 21286



BlackandDecker.com
(1-800-544-6986)

 **AVERTISSEMENT : lisez tous les avertissements de sécurité et toutes les instructions.** Ne pas suivre les avertissements et les instructions peut entraîner un choc électrique, un incendie et/ou des blessures graves.

 **AVERTISSEMENT :** pour réduire le risque de blessure, lisez le guide d'utilisation.


Utilisation prévue

Cet appareil est destiné à un usage résidentiel uniquement pour le mélange de cocktails par des adultes ayant l'âge légal pour consommer de l'alcool.


NE PAS laisser les enfants entrer en contact avec l'appareil.


Définitions : symboles et termes d'alarmes sécurité

Les définitions ci-dessous décrivent le niveau de gravité de chaque mot d'avertissement. Veuillez lire le manuel de l'outil électrique et prêter attention à ces symboles.

 **DANGER :** indique une situation dangereuse imminente qui, si elle n'est pas évitée, entraînera la mort ou des blessures graves.


 **AVERTISSEMENT :** indique une situation potentiellement dangereuse qui, si elle n'est pas évitée, pourrait entraîner la mort ou des blessures graves.

 **ATTENTION :** indique une situation potentiellement dangereuse qui, si elle n'est pas évitée, pourrait entraîner des blessures légères ou modérées.

 (Si utilisé sans aucun terme) Indique un message propre à la sécurité.

AVIS : indique une pratique ne posant **aucun risque de dommages corporels** mais qui par contre, si rien n'est fait pour l'éviter, **pourrait poser des risques de dommages matériels.**

CONSIGNES DE SÉCURITÉ IMPORTANTS

 **AVERTISSEMENT :** lors de l'utilisation d'appareils électriques, les mesures de précaution de base devraient toujours être prises pour réduire le risque d'incendie, de choc électrique et de blessures, incluant ce qui suit :

- Lisez et conservez tous les avertissements, consignes et marques de mise en garde concernant l'appareil, l'alcool et les capsules.
- Cet appareil est destiné aux adultes ayant l'âge légal pour consommer de l'alcool. Cet appareil ne doit pas être utilisé par des enfants ou par des personnes dont les capacités physiques, sensorielles ou mentales sont réduites ou qui manquent d'expérience et de connaissances. Une surveillance particulière est nécessaire lorsqu'un appareil est utilisé à proximité d'enfants. Les enfants doivent être surveillés afin de garantir qu'ils ne jouent pas avec l'appareil.
- Toujours consommer avec modération.
- Afin de se protéger contre le risque de choc électrique, n'immergez pas l'appareil, le moteur, le cordon ou la fiche dans l'eau ou tout autre liquide. N'utilisez pas l'appareil

dans la salle de bain, près de l'eau ou dans des conditions météorologiques défavorables.

- Utilisez uniquement l'adaptateur électrique fourni par le fabricant.
- Débranchez l'appareil lorsqu'il n'est pas utilisé, lors d'un nettoyage externe ou lors de réglages.
- Ne pas abuser du cordon. Pour débrancher l'appareil, utilisez la fiche, jamais le cordon. Remplacez immédiatement le cordon ou la fiche endommagés.
- Ne faites pas fonctionner l'appareil après un dysfonctionnement, une chute ou un dommage quelconque. Appelez le numéro gratuit approprié indiqué dans ce guide.
- N'utilisez pas de bouteilles d'alcool cassées, ébréchées ou fissurées.
- L'utilisation d'accessoires non recommandés ou non vendus par le fabricant de l'appareil peut provoquer un incendie, un choc électrique ou des blessures; n'utilisez pas d'accessoires ou d'appareils à des fins autres que celles prévues.
- Cet appareil n'est pas destiné à un usage commercial, professionnel ou industriel. Il est conçu et fabriqué exclusivement pour un usage domestique.
- Ne placez pas l'appareil sur, près ou dans un élément chaud tel qu'une cuisinière, un four, une casserole ou un conteneur.
- Ne touchez pas les aiguilles de perforation à l'intérieur du porte-capsule. Les aiguilles sont pointues. Manipulez avec précaution en éloignant vos mains du bord tranchant. Entrez toujours l'appareil hors de portée des enfants, avec le porte-capsule fermé.
- N'utilisez pas l'appareil avec des mains mouillées.
- Ne modifiez jamais l'appareil, ses accessoires ou l'une de ses pièces.

CONSERVEZ CES INSTRUCTIONS.


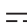











Ce produit est destiné à un usage domestique uniquement.

- **Ne pas utiliser une rallonge à moins que ce ne soit absolument nécessaire.** L'utilisation d'une rallonge inadéquate pourrait entraîner un risque d'incendie un choc électrique ou une électrocution.
- **Une rallonge doit avoir un calibre de fil (AWG ou calibre américain normalisé des fils) approprié pour la sécurité.** Plus le numéro de calibre du fil est petit, plus la capacité du câble est grande, c'est-à-dire que le calibre 16 a plus de capacité que le calibre 18. Un cordon sous-dimensionné entraîne une chute de tension de secteur, provoquant une perte de puissance et une surchauffe. Lorsque vous utilisez plus d'une rallonge pour obtenir la longueur totale, assurez-vous que chaque rallonge individuelle a au moins le calibre de fil minimum. Le tableau suivant affiche la bonne taille à utiliser selon longueur de cordon et l'intensité nominale de la plaque signalétique. En cas de doute, utilisez le calibre le plus lourd suivant. Plus le numéro de calibre est bas, plus le cordon est lourd.

Calibres minimums pour rallonges électriques

Volts		Longueur totale de la rallonge en pieds (mètres)			
120 V		25 (7,6)	50 (15,2)	100 (30,5)	150 (45,7)
240 V		50 (15,2)	100 (30,5)	200 (61,0)	300 (91,4)
Courant nominal		AWG (American Wire Gauge)			
Plus de	Pas plus de				
0	6	18	16	16	14
6	10	18	16	14	12
10	12	16	16	14	12
12	16	14	12	Non recommandé	


L'étiquette sur votre outil peut comporter les symboles suivants. Les symboles et les définitions sont les suivants :

V	volts		Construction de classe II (à isolation double)
Hz	hertz	n	vitesse à vide
min	minutes	n	vitesse nominale
 ou CC	courant continu	PSI	livres par pouce carré
	Structure de classe I (mise à la terre)		borne de terre
.../min	par minute		symbole d'alertes de sécurité
BPM	battements par minute		rayonnement visible ne regardez pas directement la lumière
IPM	impacts par minute		portez une protection respiratoire
OPM	oscillations par minute		portez une protection oculaire
Tr/min	tours par minute		portez une protection auditive
Plpm	pieds linéaires par minute		lisez toute la documentation
CPM	coups par minute		ne pas exposer à la pluie
A	ampères		
W	watts		
Wh	Watheures		
Ah	ampères-heures		
 ou CA	courant alternatif		
 ou CA/CC	courant alternatif ou continu		

ASSEMBLAGE ET RÉGLAGES

 **AVERTISSEMENT : afin de réduire le risque de blessure corporelle, éteignez l'appareil et débranchez-le de la source d'alimentation avant d'effectuer tout ajustement ou de retirer/installer des pièces ou des accessoires. Un démarrage accidentel peut causer des blessures.**


Installation du cordon (Fig. B)

- Placez la machine à cocktails en position verticale sur une surface plane, horizontale et stable.
- Insérez le connecteur mâle  du cordon dans le port de la prise **2**.
- Branchez l'autre extrémité du cordon dans une prise de courant.

Installation du sous-verre (Fig. C)

- Placez le couvercle du ramasse-gouttes dans le ramasse-gouttes **3** de façon à ce que les coins arrondis et inclinés du couvercle soient alignés avec les coins arrondis et inclinés du ramasse-gouttes.
- Veillez à ce que le couvercle s'insère complètement dans le ramasse-gouttes.
- Pour retirer le couvercle, soulevez le trou pour doigt **5** du couvercle du ramasse-gouttes.

Installation des bouteilles (Fig. D)

 **AVERTISSEMENT :** utilisez uniquement de l'eau dans la bouteille d'eau fournie. L'utilisation d'autres liquides ou substances dans la bouteille d'eau peut endommager l'appareil.

 **ATTENTION :** évitez les déversements pendant l'installation des bouteilles.

REMARQUE : Il est recommandé d'utiliser des bouteilles de 750 ml ou moins afin de s'assurer que toutes les bouteilles reposent sur la plateforme à bouteilles **6** sans être suspendues à la plateforme.

REMARQUE : Les bouteilles doivent pouvoir être placées entre la plateforme et le haut de la machine à cocktails en position debout.

- Glissez une paille **7** dans une bouteille de façon à ce que l'extrémité de la paille **9** repose sur le fond de la bouteille.
- Faites glisser le bouchon de la bouteille **13** le long de la paille jusqu'à ce qu'il s'insère complètement dans le haut de la bouteille.
- Assurez-vous que le verrou de la paille **8** est en haut.
- Alignez l'encoche du bouchon de la paille **12** avec la fente de la paille **10**.
- Faites glisser le bouchon de la paille **11** à fond dans la fente de la paille, en laissant la bouteille reposer librement dans l'espace qui lui est réservé. Assurez-vous que le bouchon de la paille est bien en place dans la fente.
- Pour le verrouiller en place, poussez le verrou de la paille vers le bas jusqu'à ce qu'il s'enclenche. Assurez-vous que le levier est complètement abaissé.
- Répétez l'opération pour toutes les bouteilles.

IMPORTANT : Les bouteilles doivent être placées dans l'espace qui leur est réservé pour que la bonne boisson soit distribuée. Les noms des liquides sont situés dans chaque emplacement, indiquant le liquide approprié.

IMPORTANT : Les liquides suivants sont les seuls qui doivent être utilisés avec l'appareil.

- Eau
- Gin
- Rhum
- Vodka
- Tequila
- Whisky

Retrait des bouteilles (Fig. E)

ATTENTION : évitez les déversements pendant le retrait des bouteilles.

1. Soulevez le verrou de la paille **8**.
2. Faites glisser le bouchon de la paille **11** et la bouteille hors de la machine à cocktails.
3. Tirez le bouchon de la bouteille **13** hors de la bouteille et retirez la paille **7**.

REMARQUE : Si la machine à cocktails s'arrête pour une bouteille vide et que vous appuyez sur mélanger sans remplacer la bouteille, elle passera à la bouteille suivante de la recette. Si cette bouteille est vide, la machine se met à nouveau en pause. Consultez la section MODE PAUSE pour plus d'informations.

FONCTIONNEMENT

AVERTISSEMENT : afin de réduire le risque de blessure corporelle, éteignez l'appareil débranchez-le la source d'alimentation et avant d'effectuer tout ajustement ou de retirer/installer des pièces ou des accessoires. Un déclenchement accidentel du démarrage peut causer des blessures.

Marche/Arrêt (Fig. F)

AVERTISSEMENT : N'intervenez pas sur la machine à cocktails lorsqu'elle est en marche.

- Pour mettre la machine à cocktails en marche, appuyez sur le côté « I » de l'interrupteur d'alimentation **14**. Les 4 DEL de teneur en alcool **15** et les 6 DEL de bouteille **16** clignoteront. Lorsque les DEL sont allumées, la machine à cocktails est prête à être utilisée.
- Pour éteindre la machine à cocktails, appuyez sur le côté « O » de l'interrupteur d'alimentation. Toutes les DEL s'éteignent.

Choix d'un plateau en verre (Fig. G)

Placez un verre ou un mélangeur sur la tablette de verre **17** ou sur le ramasse-gouttes **3**, selon la hauteur du verre utilisé. Consultez l'image du cocktail sur la capsule **20** pour connaître le style de verre.

REMARQUE : Un verre ou un mélangeur doit être en place avant de préparer une boisson pour éviter tout déversement.

Verre court :

1. Tirez la tablette de verre vers le bas de façon à ce qu'elle se tienne droite par rapport à la tour **18**.
2. Placez un petit verre sur la tablette de verre.

Grand verre :

1. Poussez la tablette de verre vers le haut pour qu'elle se cache dans la tour.
2. Assurez-vous que le couvercle du ramasse-gouttes **4** est en place.
3. Placez un grand verre sur le couvercle du ramasse-gouttes.

Mélangeur :

La DEL du mélangeur **19** s'allume lorsqu'une boisson doit être mélangée. Dans ce cas, utilisez un mélangeur au lieu d'un grand verre.

1. Poussez la tablette de verre vers le haut pour qu'elle se cache dans la tour.
2. Assurez-vous que le couvercle du ramasse-gouttes est en place.
3. Placez un mélangeur sur le couvercle du ramasse-gouttes.

Insertion d'une capsule (Fig. H, I)

AVERTISSEMENT : réduisez les dangers. Ne vérifiez pas la zone du porte-capsule avec les doigts.

AVERTISSEMENT : point de pincement. Ne vous approchez pas du porte-capsule lorsque vous fermez le couvercle du porte-capsule. »

AVERTISSEMENT : utilisez uniquement la capsule *Bartesian*. L'utilisation de toute autre capsule peut entraîner des dommages à l'appareil.

IMPORTANT : N'ouvrez pas la capsule **20**.

IMPORTANT : Une fois que la capsule est percée, elle peut laisser couler du liquide. Pour éviter cela, placez une capsule dans le porte-capsule **21** juste avant de mélanger une boisson.

1. Avant d'insérer une capsule, placez un verre ou un mélangeur sur la tablette de verre **17** ou sur le ramasse-gouttes **3** comme décrit dans la section Choix d'un plateau de verre.
2. Sélectionnez la capsule que vous souhaitez utiliser.
3. Pour ouvrir le porte-capsule, soulevez le couvercle du porte-capsule **22** jusqu'à ce qu'il s'enclenche en place.
4. **Veillez à ce que le code-barre **32** reste propre. Passez votre pouce sur le code-barre avant d'insérer une capsule dans le porte-capsule.**
5. Placez la capsule dans le porte-capsule **23** situé dans le support. Assurez-vous que la languette de la capsule **24** est orientée vers la gauche. La machine à cocktails ne fonctionnera pas si la capsule est insérée d'une autre manière.
6. Veillez à ce que la capsule repose entièrement dans le porte-capsule.

REMARQUE : Le lecteur à l'intérieur du porte-capsule lit le code sur le dessus de la capsule. Cela permet à la machine à cocktails de puiser dans les bonnes bouteilles pour distribuer la bonne boisson.

7. Poussez le couvercle du porte-capsule vers le bas pour fermer le porte-capsule jusqu'à ce qu'il émette un clic. Assurez-vous que le couvercle est complètement fermé avant d'utiliser l'appareil.

REMARQUE : Si le code de la capsule est lu avec succès, les DEL des bouteilles **16** s'allument sous les bouteilles utilisées. Assurez-vous que chaque bouteille est à sa place.

REMARQUE : Si les lumières ne s'allument pas, soulevez le couvercle du porte-capsule et utilisez une serviette propre et sèche pour essuyer le lecteur de codes-barres **31** et le code-barres de la capsule **32** comme indiqué dans la Fig. I Ensuite, répétez l'étape 6.

Sélection de la teneur en alcool (Fig. J)

Pour sélectionner la quantité d'alcool à distribuer dans la boisson, tournez la molette de sélection du degré d'alcool **25**.

- **Gauche** : moins d'alcool
- **Droite** : plus d'alcool

Les DEL de teneur en alcool **15** s'allument et s'éteignent à mesure que vous tournez le sélecteur, indiquant la teneur en alcool de la boisson.

- ☒ - sans alcool
- ☐ - faible teneur en alcool
- ▣ - teneur en alcool normale
- ■ - forte teneur en alcool

Préparation d'une boisson (Fig. F–J)



AVERTISSEMENT : pour s'assurer que de l'alcool n'est pas distribué lors de la préparation d'un cocktail sans alcool, soulevez les verrous de paille **8** des bouteilles d'alcool et maintenez le verrou de paille de la bouteille d'eau enfoncé.

1. Mettez la machine à cocktails en marche comme décrit dans la section MARCHE/ARRÊT.
2. Placez un verre ou un mélangeur sur la tablette de verre **17** ou sur le ramasse-gouttes **3** en fonction de sa hauteur, comme décrit dans la section CHOIX D'UN PLATEAU DE VERRE.
3. Insérez la capsule désirée **20** dans le porte-capsule **21** comme décrit dans la section INSERTION DE LA CAPSULE.
4. Tournez la molette de sélection de la teneur en alcool **25** pour régler la teneur en alcool, comme indiqué dans la section SÉLECTION DE LA TENEUR EN ALCOOL.
5. Les bouteilles utilisées pour la recette de la boisson s'allument. Assurez-vous que les bouteilles sont installées dans tous les emplacements éclairés.
6. Appuyez sur le bouton de mélange **26** pour commencer à préparer une boisson.
7. La DEL de la bouteille s'allume sous la bouteille dont le liquide est en train d'être distribué.
8. La préparation est terminée lorsque toutes les DEL deviennent allumées.
9. Retirez la capsule avant de retirer le verre. La capsule peut couler lorsqu'elle est retirée et si elle est laissée dans le porte-capsule.

REMARQUE : Pendant la préparation d'une boisson, si le bouton d'alimentation est éteint, si l'appareil est débranché ou après une minute en mode pause, le processus de mélange sera réinitialisé, mettant fin au mélange de la boisson en cours. Si cela se produit, une petite quantité d'alcool peut rester dans les conduites internes. Pour vous assurer que la prochaine boisson ne sera pas mélangée avec cet alcool restant, nettoyez les conduites comme décrit dans la section MODE NETTOYAGE avant de mélanger une autre boisson. Pour reprendre la préparation de la boisson en mode pause, consultez la section MODE PAUSE.

REMARQUE : Si la machine à cocktails continue à distribuer jusqu'au point de débordement, éteignez l'appareil, soulevez le verrou de la paille ou le couvercle du porte-capsule **22**.

La bouteille s'épuise pendant le mélange (Fig. F, J)

Si une bouteille n'a plus de liquide pendant que la machine à cocktails mélange une boisson :

- Le mélangeur de cocktail entrera en mode pause pendant 2 minutes pour vous permettre de remplacer la bouteille vide. Consultez la section MODE PAUSE pour plus d'informations.
- N'éteignez pas l'interrupteur **14**. La mise hors tension réinitialiserait le processus de mélange et la cartouche ne pourrait plus être utilisée.

REMARQUE : L'appareil n'évacue pas les conduites lorsque le couvercle du porte-capsules **22** est soulevé.

Pour remplacer la bouteille vide :

1. Retirez la bouteille comme décrit dans la section RETRAIT DES BOUTEILLES.
2. Installez la nouvelle bouteille comme décrit dans la section INSTALLATION DES BOUTEILLES.
3. Appuyez sur le bouton de mélange **26** pour reprendre le mélange de la boisson là où l'appareil s'est arrêté.

Mode pause

Le mode pause dure 2 minutes. Les DEL d'intensité **15** s'allument pour indiquer le temps restant.

3 allumées, 1 clignotante	1:30 - 2 min restantes
2 allumées, 1 clignotante	1 - 1:30 min restante
1 allumées, 1 clignotante	30 sec - 1 min restante
1 clignotante	moins de 30 sec

- Appuyez sur le bouton de mélange et maintenez-le enfoncé pendant 3 secondes pour annuler le mode pause.
- Si le décompte des DEL se termine avant que le mélange des boissons ne reprenne ou que le mode pause ne soit annulé, l'appareil pompera une petite quantité d'eau pour rincer les conduites. La machine à cocktails se réinitialisera à son mode d'origine et la boisson ne sera plus mélangée. S'il n'y a pas d'eau chargée dans la machine à cocktails, l'appareil rince les conduites avec de l'air.

REMARQUE : L'appareil n'évacue pas les conduites lorsque le couvercle du porte-capsules **22** est soulevé.

Le mode pause est déclenché de trois façons.


- Le bouton de mélange est appuyé.
 - Appuyez une nouvelle fois sur le bouton de mélange pour reprendre.
- Le couvercle du porte-capsule **22** est ouvert.
 - Fermez le couvercle et appuyez sur le bouton de mélange.
- Une bouteille n'a plus de liquide
 - Remplacez la bouteille vide comme décrit dans la section LA BOUTEILLE S'ÉPUISE PENDANT LE MÉLANGE.

Allumer les DEL du Mode fête (Fig. K)

Les DEL de bouteille **16** peuvent être réglées pour clignoter selon un modèle prédéfini.


1. Mettez la machine à cocktails en marche en appuyant sur le côté « I » de l'interrupteur d'alimentation **14**. Les DEL des 6 bouteilles s'allument.
2. Appuyez une fois sur le bouton du mode fête **27** pour régler le mode fête. Les DEL se mettent à clignoter.
3. Appuyez une deuxième fois sur le bouton du mode fête pour éteindre toutes les DEL de bouteille.
4. Appuyez une troisième fois sur le bouton du mode fête pour rallumer toutes les DEL de bouteille.


MAINTENANCE

-  **AVERTISSEMENT : afin de réduire tout risque de graves blessures, éteignez l'appareil, laissez le moteur s'arrêter et restez à l'écart du bouton de mise en marche avant d'effectuer toute opération de réglage ou de retirer/installer les équipements et accessoires. Tout démarrage accidentel peut occasionner des blessures.**

Votre appareil BLACK+DECKER a été conçu pour fonctionner longtemps avec un minimum de maintenance. Le fonctionnement continu et satisfaisant de l'appareil dépend de son bon entretien et de son nettoyage régulier.

Nettoyage (Fig. C)

-  **AVERTISSEMENT : ne jamais utiliser de solvant ou d'autres produits chimiques forts pour le nettoyage des pièces non métalliques de l'appareil. Ces produits chimiques peuvent affaiblir les matériaux plastiques des pièces. Utilisez un linge trempé seulement dans de l'eau et du savon doux. Ne jamais laisser de liquide entrer à l'intérieur de l'appareil; ne jamais immerger toute partie de l'appareil dans un liquide.**

-  **ATTENTION : les pailles, les bouchons de bouteille, le gobelet à capsule, le couvercle de ramasse-gouttes et la bouteille d'eau peuvent être mis au lave-vaisselle dans le panier supérieur. Il est recommandé de rincer manuellement les accessoires avant de les placer dans le lave-vaisselle.**

- Nettoyez l'intérieur des pailles avec de l'eau tiède, un savon doux et le nettoyant pour pailles fourni **30**.
- Nettoyez toutes les parties extérieures avec un chiffon imbibé d'eau chaude et de savon doux.
- Retirez le gobelet à capsule **23** en le tirant vers le haut et en le sortant du porte-capsule **21**. Pour réinstaller le gobelet, faites-le glisser dans le porte-capsule et appuyez dessus. Veillez à ce que la capsule soit complètement et solidement installée dans le porte-capsule.


Mode de nettoyage (Fig. E, I, L, M)

Il est recommandé de nettoyer les conduites de liquide de la machine à cocktails au moins une fois par mois.

1. Retirez la capsule **20** de son support **21**. Assurez-vous que le porte-capsule **23** reste en place.
2. Placez un grand verre ayant une capacité d'au moins 300 ml (10 oz) sur la ramasse-gouttes **3**.

3. Retirez les bouteilles comme décrit dans la section RETRAIT DES BOUTEILLES.
4. Remplissez un verre avec au moins 60 ml (2 oz) d'eau.
5. Placez une paille **7** dans le verre et installez la paille comme décrit dans la section INSTALLATION DES BOUTEILLES.
6. Répétez les étapes 1 à 5 pour toutes les bouteilles.
7. Appuyez sur le bouton du mode de nettoyage **28** pendant 6 secondes.
8. Dès que l'appareil commence à pomper de l'eau, relâchez le bouton du mode de nettoyage.
9. Les DEL de la bouteille **16** s'allument une par une pour indiquer la ligne en cours de nettoyage. Lorsque toutes les DEL s'allument, le processus est terminé.
10. De l'eau peut éclabousser le lecteur de codes-barres **31**. Utilisez une serviette propre et sèche pour essuyer le lecteur de codes-barres et la zone environnante.
11. Installez les bouteilles comme décrit dans la section INSTALLATION DES BOUTEILLES.

Accessoires

-  **AVERTISSEMENT : les accessoires autres que BLACK+DECKER n'ayant pas été testés avec ce produit, leur utilisation avec cet outil peut s'avérer dangereuse. Pour réduire le risque de blessure, seuls les accessoires recommandés par BLACK+DECKER doivent être utilisés avec ce produit.**

Les accessoires recommandés pour utilisation avec cet outil sont disponibles à un coût supplémentaire chez votre détaillant local ou dans un centre de services autorisé. Si vous avez besoin d'aide pour localiser un accessoire, contactez BLACK+DECKER appelez au **1-800-544-6986**.

Entreposage

- Nettoyez les conduites de liquide comme décrit dans la section MODE DE NETTOYAGE.
- Éteignez l'appareil.
- Entrepochez toujours l'appareil débranché de l'alimentation électrique !
- Entrepochez l'appareil dans un endroit aussi frais et sec que possible.
- Entrepochez l'appareil dans un endroit inaccessible aux enfants ou aux personnes non autorisées.
- Retirez toutes les bouteilles, capsules, pailles et bouchons de l'appareil lorsque vous l'entrepochez pour une longue période.
- Vérifiez que l'appareil n'est pas endommagé avant de l'utiliser après une longue période d'entreposage.

Transport

- Transportez toujours vos produits en les débranchant de l'alimentation électrique.
- Mettez l'interrupteur d'alimentation en position d'arrêt.
- Vérifiez que l'appareil n'est pas endommagé avant son utilisation après le transport.
- Retirez toutes les bouteilles, capsules, pailles et bouchons de l'appareil pour le transport.
- Ne transportez pas l'appareil avec les bouteilles installées.

Données techniques

12VDC 1000mA

Enregistrez-vous en ligne

Nous vous remercions de votre achat. Enregistrez votre produit maintenant pour :

- **SERVICE DE GARANTIE** : L'enregistrement de votre produit en ligne vous aide à obtenir un service de garantie efficace au cas où vous auriez un problème avec votre produit.
- **CONFIRMATION DE PROPRIÉTÉ** : En cas de pertes liées aux assurances telles qu'un incendie, une inondation ou un vol, votre enregistrement de propriété servira de preuve de votre achat.
- **POUR VOTRE SÉCURITÉ** : L'enregistrement de votre produit nous permet de vous contacter dans le cas peu probable d'une notification de sécurité requise selon le Federal Consumer Safety Act.
- Inscrivez-vous en ligne sur **www.BlackandDecker.com/NewOwner**

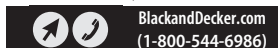
GARANTIE LIMITÉE DE DEUX ANS

Black & Decker (U.S.) In. garantit que ce produit est libre de défaut de matériau et de main-d'œuvre pour une durée de deux (2) ans suivant la date d'achat, à condition qu'il ait été utilisé en milieu domestique. La présente garantie limitée ne couvre pas les pannes causées par abus d'utilisation, dommage accidentel ou si une réparation a été faite ou tentée par quiconque autre que les centres de service autorisés BLACK+DECKER. Un produit défectueux selon les termes de la garantie décrits dans les présentes sera remplacé ou réparé sans frais de l'une ou l'autre des façons suivantes :

La première, qui entraînera seulement des échanges, est de retourner le produit au détaillant chez lequel il a été acheté (pourvu que le magasin est un détaillant participant). Les retours devraient être faits à l'intérieur de la période de temps de la politique du détaillant pour les échanges. Une preuve d'achat pourrait être requise. Veuillez consulter le détaillant pour connaître la limite de temps pour échange selon sa politique particulière. La seconde façon est d'apporter ou d'expédier le produit (port payé d'avance) à un centre de service autorisé ou propriété de BLACK+DECKER pour réparation ou remplacement. Une preuve d'achat pourrait être requise. La liste des centres de service de BLACK+DECKER et ateliers autorisés est offerte en ligne à www.blackanddecker.com. La présente garantie ne s'applique pas aux accessoires. La présente garantie vous donne des droits légaux particuliers et vous pouvez avoir d'autres droits qui varient d'une province ou d'un état à l'autre. Pour toute question, veuillez communiquer avec le directeur d'un centre de service de BLACK+DECKER. L'outil acheté n'est pas prévu pour usage commercial, conséquemment, un tel usage annulera sa garantie. Les présentes constituent un désistement à toute garantie expresse ou implicite d'autres sources.

AMÉRIQUE LATINE : La présente garantie ne s'applique pas aux produits vendus en Amérique latine. Pour les produits vendus en Amérique latine, vérifiez les renseignements sur la garantie particulière au pays comprise dans l'emballage, appelez l'entreprise locale ou consultez le site Web pour les renseignements complets à propos de la garantie.

Importé par: Black & Decker (U.S.) Inc.,
701 E. Joppa Rd.
Towson, MD 21286





ADVERTENCIA: *Lea todas las advertencias de seguridad e instrucciones. El incumplimiento de las advertencias e instrucciones puede provocar descargas eléctricas, incendios o lesiones graves.*



ADVERTENCIA: *Para reducir el riesgo de lesiones, lea el manual de instrucciones.*

Uso Pretendido

Este aparato está diseñado para uso residencial únicamente para mezclar cócteles por adultos con edad legal para beber.

NO permita que niños estén en contacto con el aparato.

Definiciones: Símbolos y Palabras de

Alerta de Seguridad

Las siguientes definiciones describen el nivel de gravedad de cada palabra de advertencia. Lea el manual de la herramienta eléctrica y preste atención a estos símbolos.



PELIGRO: *Indica una situación de peligro inminente que, si no se evita, provocará la muerte o lesiones graves.*



ADVERTENCIA: *Indica una situación de peligro potencial que, si no se evita, podría provocar la muerte o lesiones graves.*



ATENCIÓN: *Indica una situación de peligro potencial que, si no se evita, posiblemente provocaría lesiones leves o moderadas.*



(Utilizado sin palabras) indica un mensaje de seguridad relacionado.

AVISO: *Se refiere a una práctica no relacionada a lesiones corporales que de no evitarse puede resultar en daños a la propiedad.*

PROTECCIONES IMPORTANTES



ADVERTENCIA: *Cuando use aparatos eléctricos, siempre se deben seguir las precauciones de seguridad básica para reducir el riesgo de incendio, descarga eléctrica, y/o lesiones, incluyendo las siguientes:*

- Lea y conserve todas las advertencias de seguridad, instrucciones y marcas de precaución para el aparato, alcohol y las cápsulas.
- Este aparato está diseñado para adultos en edad legal para beber. Este aparato no debe ser usado por niños o personas con capacidades físicas, sensoriales o mentales reducidas, o con falta de experiencia y conocimientos. Es necesaria una estrecha supervisión cuando cualquier aparato sea utilizado cerca de niños. Los niños deben ser supervisados para asegurarse que no jueguen con el aparato.
- Siempre beba con responsabilidad.
- Para protegerse contra riesgo de descarga eléctrica, no sumerja el aparato, motor, cable, o enchufe en agua u otro líquido. No utilice el aparato en el baño, cerca de agua, o en condiciones climáticas adversas.
- Utilice únicamente el adaptador de corriente suministrado por el fabricante.

- Desconéctelo cuando no esté en uso, durante la limpieza externa o cuando realice ajustes.
- No maltrate el cable. Utilice el enchufe, nunca el cable, para desconectar el aparato. Reemplace el cable o enchufe dañado inmediatamente.
- No opere ningún aparato después que el aparato falle o se deje caer o se dañe en cualquier manera. Llame al número gratuito apropiado en este manual.
- No use botellas de alcohol rotas, astilladas o agrietadas.
- El uso de accesorios no recomendados o vendidos por el fabricante del aparato puede causar incendios, descarga eléctrica, o lesiones; no use accesorios o aparatos para nada diferente al uso predeterminado.
- El aparato no está diseñado para uso comercial, profesional o industrial. Está diseñado y fabricado para uso doméstico exclusivamente.
- No coloque el aparato sobre, cerca o en un elemento caliente como una estufa, horno, olla o contenedor.
- No toque las agujas para perforación dentro del portacápsulas. Las agujas son afiladas. Manipule con cuidado con las manos alejadas del filo. Guárdelo siempre fuera del alcance de los niños con el portacápsulas cerrado.
- No utilice el aparato con las manos mojadas.
- Nunca modifique el aparato, los accesorios ni ninguna de sus partes.

CONSERVE ESTAS INSTRUCCIONES.

Este producto es para uso doméstico únicamente.

- **No use un cable de extensión a menos que sea absolutamente necesario.** *El uso de un cable de extensión inadecuado podría resultar en riesgo de incendio, descarga eléctrica o electrocución*
- **Un cable de extensión debe tener un tamaño de cable adecuado (AWG o American Wire Gauge) por seguridad.** *Mientras menor es el número de calibre del cable, mayor es la capacidad del cable, es decir, el calibre 16 tiene más capacidad que el calibre 18. Un cable de tamaño inferior causará una caída en el voltaje en línea que resulta en una pérdida de energía y sobrecalentamiento. Cuando use más de una extensión para completar la longitud total, asegúrese que cada extensión individual contenga al menos el tamaño mínimo de cable. La siguiente tabla muestra el tamaño correcto a usar dependiendo de la longitud del cable y la clasificación de amperes de la placa de identificación. Si tiene duda, use el calibre más pesado siguiente. Cuanto menor sea el número de calibre, más pesado será el cable.*

Calibre mínimo para juegos de cable

Voltios	Longitud total de cable en pies (metros)					
	120 V	25 (7.6)	50 (15.2)	100 (30.5)	150 (45.7)	
240 V	50 (15.2)	100 (30.5)	200 (61.0)	300 (91.4)		
Clasificación de amperes		American Wire Gauge				
Mayor a	No mayor a					
0	6	18	16	16	14	
6	10	18	16	14	12	
10	12	16	16	14	12	
12	16	14	12	No recomendado		

La etiqueta en su herramienta puede incluir los siguientes símbolos. Los símbolos y sus definiciones son los siguientes:

V	volts		Construcción Clase II (aislamiento doble)
Hz	hertz		n ₀	sin carga velocidad
min	minutos		n	velocidad nominal
.....	o DC..... corriente directa		PSI.....	libras por pulgada cuadrada
Construcción Clase I (conectada a tierra)		 terminal de tierra
.../min.....	por minuto		 símbolo de alerta de seguridad
BPM.....	golpes por minuto		 radiación visible no mirar directamente a la luz
IPM.....	impactos por minuto		 use protección respiratoria
OPM.....	oscilaciones por minuto		 use protección para los ojos
RPM.....	revoluciones por minuto		 use protección auditiva
sfpm	pies de superficie por minuto		 lea toda la documentación
SPM	carreras por minuto		 no exponga a la lluvia
A	ampéres			
W.....	watts			
Wh.....	Watt Horas			
Ah.....	amperios hora			
.....	o AC..... corriente alterna			
.....	o CA/CD..... corriente alterna o directa			

ENSAMBLE Y AJUSTES

⚠ ADVERTENCIA: Para reducir el riesgo de lesiones personales, apague el aparato y desconéctelo de la fuente de energía antes de realizar cualquier ajuste o retirar/instalar conexiones o accesorios. Un arranque accidental puede causar lesiones.

Instalación del Cable (Fig. B)

1. Coloque la coctelera en posición vertical sobre una superficie plana, nivelada y estable.
2. Conecte el enchufe 1 del cable en el puerto de carga 2.
3. Conecte el otro extremo del cable en un tomacorriente.

Instalación de Portavasos (Fig. C)

1. Coloque la tapa de la bandeja de goteo en la bandeja de goteo 3 de manera que las esquinas redondeadas

e inclinadas de la tapa se alineen con las esquinas redondeadas e inclinadas de la bandeja de goteo.

2. Asegúrese que la cubierta se asiente completamente dentro de la bandeja de goteo.
3. Para retirar la cubierta, levántela desde el orificio para el dedo de la cubierta de la bandeja de goteo 5.

Instalación de botellas (Fig. D)

⚠ ADVERTENCIA: Utilice únicamente agua en la botella de agua suministrada. El uso de otros líquidos o sustancias en la botella de agua puede dañar el aparato.

⚠ ATENCIÓN: Evite los derrames mientras instala las botellas.

NOTA: Se recomienda utilizar botellas de 750 ml o más pequeñas para asegurarse que todas las botellas se asienten en la plataforma de botellas 6 sin que cuelguen de la plataforma.

NOTA: Las botellas deben caber entre la plataforma de la botella y la parte superior de la coctelera mientras está de pie.

1. Deslice un popote 7 en una botella de modo que la punta del popote 9 se asiente en el fondo de la botella.
2. Deslice el retén de la botella 13 por el popote hasta que se asiente completamente en la parte superior de la botella.
3. Asegúrese que el seguro del popote 8 esté hacia arriba.
4. Alinee la muesca del tapón del popote 12 con la ranura del popote 10.
5. Deslice el tapón del popote 11 hasta el final en la ranura del popote, permitiendo que la botella se asiente libremente en su espacio designado. Asegúrese que el tapón del popote esté completamente asentado en la ranura
6. Para bloquearlo en su lugar, empuje el seguro del popote hacia abajo hasta que haga clic. Asegúrese que la palanca esté completamente hacia abajo.
7. Repita para todas las botellas.

IMPORTANTE: Las botellas deben colocarse en su espacio designado para garantizar que se dispense la bebida correcta. Los nombres de los líquidos se encuentran en cada lugar, indicando el líquido apropiado.

IMPORTANTE: Los siguientes son los únicos líquidos que deben usarse con el aparato.

- Agua
- Ginebra
- Ron
- Vodka
- Tequila
- Whisky

Desinstalación de Botellas (Fig. E)

⚠ ATENCIÓN: Evite los derrames mientras retira las botellas.

1. Levante el seguro de popote 8.

2. Deslice el tapón del popote **11** y la botella fuera de la coctelera.
3. Saque el tapón de la botella **13** de la botella y retire el popote **7**.

NOTA: Si la coctelera hace una pausa para dejar una botella vacía y presiona mezclar sin reemplazar la botella, pasará a la siguiente botella de la receta. Si esa botella está vacía, se detendrá nuevamente. Consulte la sección MODO DE PAUSA para obtener más información.

OPERACIÓN

⚠️ ADVERTENCIA: Para reducir el riesgo de lesiones personales severas, apague la unidad y desconéctela de la fuente de energía antes de realizar cualquier ajuste o retirar/instalar conexiones o accesorios. Un arranque accidental puede causar lesiones.

Encendido/Apagado (Fig. F)

⚠️ ADVERTENCIA: No interactúe con la coctelera mientras está en funcionamiento.

- Para encender la coctelera, presione el lado "I" del interruptor de encendido **14**. Los 4 LED de intensidad **15** y los 6 LED de botella **16** parpadearán. Cuando se vuelven sólidos, la coctelera está lista para usar.
- Para apagar la coctelera, presione el lado "O" del lado del interruptor de encendido. Todos los LED se apagarán.

Elija una Bandeja de Vidrio (Fig. G)

Coloque un vaso o una coctelera en el estante de vidrio **17** o en la bandeja de goteo **3**, dependiendo de la altura del vaso que se utilice. Consulte la imagen del cóctel en la cápsula **20** para ver el estilo del vaso.

NOTA: Un vaso o agitador debe estar en su lugar antes de hacer una bebida para evitar derrames.

Vaso corto:

1. Jale el estante de vidrio hacia abajo para que sobresalga de la torre **18**.
2. Coloque un vaso pequeño en el estante de vidrio.

Vaso largo:

1. Empuje el estante de vidrio hacia arriba para que se esconda en la torre.
2. Asegúrese que la cubierta de la bandeja de goteo **4** esté en su lugar.
3. Coloque un vaso alto sobre la cubierta de la bandeja de goteo.

Agitador:

El LED del agitador **19** se encenderá cuando sea necesario agitar una bebida. En este caso, utilice un agitador en lugar de un vaso alto.

1. Empuje el estante de vidrio hacia arriba para que se esconda en la torre.
2. Asegúrese que la cubierta de la bandeja de goteo esté en su lugar.
3. Coloque un agitador en la cubierta de la bandeja de goteo.

Inserción de Cápsula (Fig. H, I)

- ⚠️ ADVERTENCIA:** Riesgo de corte. No toque el área del portacápsulas con los dedos.
- ⚠️ ADVERTENCIA:** Punto de atrapamiento. Manténgase alejado del portacápsulas cuando cierre la tapa del portacápsulas."
- ⚠️ ADVERTENCIA:** Utilice únicamente cápsula Bartsian. El uso con cualquier otra cápsula puede provocar daños en el aparato.

IMPORTANTE: No abra la cápsula **20**.

IMPORTANTE: Una vez que se perfora la cápsula, puede gotear líquido. Para evitarlo, coloque una cápsula en el portacápsulas **21** justo antes de preparar una bebida.

1. Antes de insertar una cápsula, coloque un vaso o una coctelera en el estante de vidrio **17** o la bandeja de goteo **3** como se describe en la sección ELECCIÓN DE BANDEJA DE VIDRIO
2. Seleccione la cápsula que desea utilizar.
3. Para abrir el portacápsulas, levante la tapa del portacápsulas **22** hasta que encaje en su lugar.
4. **Compruebe que el código de barras **32** esté limpio de líquido y residuos. Pase el pulgar por el código de barras antes de introducir la cápsula en el portacápsula.**
5. Coloque la cápsula en la copa para cápsulas **23** ubicado en el soporte. Asegúrese que la pestaña de la cápsula **24** mire hacia la izquierda. La coctelera no funcionará si la cápsula se inserta de otra manera.
6. Asegúrese que la cápsula se asiente completamente en la copa para cápsulas.

NOTA: El escáner dentro del portacápsulas escanea el código en la parte superior de la cápsula. Esto permite que la coctelera extraiga de las botellas correctas para dispensar la bebida correcta.

7. Empuje la tapa del portacápsulas hacia abajo para cerrar el portacápsulas hasta que haga clic. Asegúrese que la tapa esté completamente cerrada antes de operar.

NOTA: Si el código de la cápsula se lee con éxito, los LED de botella **16** se encenderán debajo de las botellas que se están utilizando. Asegúrese que cada botella esté en su lugar correcto.

NOTA: Si las luces no se encienden, levante la tapa del portacápsulas y use una toalla limpia y seca para limpiar el escáner de código de barras **31** y el código de barras de la cápsula **32** como se muestra en la Fig. I. Después, repita el paso 6.

Seleccione la Graduación de Alcohol (Fig. J)

Para seleccionar la cantidad de alcohol que se dispensará en la bebida, gire el selector de intensidad **25**.

- **Izquierda:** menos alcohol
- **Derecha:** más alcohol

Los LED de intensidad **15** se encenderán y apagarán a medida que gira el selector, indicando la intensidad de la bebida.

-  - cóctel virgen (sin alcohol)

- - contenido de alcohol ligero
- - contenido de alcohol regular
- - fuerte contenido de alcohol

Preparación de Bebidas (Fig. F–J)

⚠ ADVERTENCIA: Para asegurarse que no se dispense licor mientras prepara un cóctel sin alcohol, levante los seguros de los popotes **8** para las botellas de alcohol y mantenga cerrado el popote de la botella de agua.

1. Encienda la coctelera como se describe en la sección Encendido/Apagado.
2. Coloque un vaso o una coctelera en el estante de vidrio **17** o la bandeja de goteo **3** dependiendo de su altura como se describe en la sección SELECCIÓN DE BANDEJA DE VIDRIO.
3. Inserte la cápsula deseada **20** en el portacápsulas **21** como se describe en la sección INSERCIÓN DE CÁPSULA.
4. Gire el selector de intensidad **25** para establecer el contenido de alcohol como se describe en la sección SELECCIÓN DE INTENSIDAD DE ALCOHOL.
5. Las botellas utilizadas para la receta de la bebida se iluminarán. Asegúrese que las botellas estén instaladas en todos los lugares iluminados.
6. Presione el botón de mezcla **26** para comenzar a preparar una bebida.
7. El LED de la botella se iluminará debajo de la botella cuyo líquido se está dispensando.
8. Está completo cuando todos los LED se vuelven sólidos.
9. Retire la cápsula antes de retirar el vaso. La cápsula puede gotear cuando se extrae y si se deja en el soporte.

NOTA: Mientras prepara una bebida, si el botón de encendido está apagado, el aparato está desconectado o después de un minuto en modo de pausa, el proceso de mezcla se reiniciará, finalizando la mezcla de la bebida actual. Si esto sucede, puede quedar una pequeña cantidad de alcohol en las líneas internas. Para asegurarse que la próxima bebida no se mezcle con este alcohol restante, limpie las líneas como se describe en la sección MODO DE LIMPIEZA antes de mezclar otra bebida. Para reanudar la preparación de la bebida mientras está en modo de pausa, consulte la sección MODO DE PAUSA.

NOTA: Si la coctelera continúa sirviendo hasta el punto de desbordamiento, apague el aparato, levante el bloqueo de la pajilla o levante la tapa del portacápsulas **22**.

La botella se acaba durante la mezcla (Fig. F, J)

Si una botella se queda sin líquido mientras la coctelera prepara una bebida:

- La mezcladora de cócteles entrará en modo de pausa durante 2 minutos para permitirle reemplazar la botella vacía. Consulte la sección MODO DE PAUSA para obtener más información.
- No apague el interruptor de encendido **14**. Al apagarlo se restablecerá el proceso de mezcla y ya no se podrá usar el cartucho.

NOTA: La unidad no lavará las líneas mientras la tapa del portacápsulas **22** esté levantada.

Para reemplazar la botella vacía:

1. Retire la botella como se describe en la sección DESINSTALACIÓN DE BOTELLAS.
2. Instale una botella nueva como se describe en la sección INSTALACIÓN DE BOTELLAS.
3. Presione el botón de mezcla **26** para continuar mezclando la bebida desde donde la dejó.

Modo de Pausa

El modo de Pausa dura 2 minutos. Los LEDs de intensidad **15** se iluminarán para indicar el tiempo restante.

3 sólidos, 1 parpadeando	1:30 - 2 min. restantes
2 sólidos, 1 parpadeando	1 - 1:30 min. restantes
1 sólidos, 1 parpadeando	30 seg. - 1 minuto restantes
1 parpadeando	menos de 30 seg.

- Mantenga presionado el botón de mezcla durante 3 segundos para cancelar el modo de pausa.
- Si la cuenta regresiva del LED finaliza antes de que se reanude la mezcla de bebidas o se cancele el modo de pausa, la unidad bombeará una pequeña cantidad de agua para enjuagar las líneas. La coctelera se restablecerá a su modo original y la bebida ya no se mezclará. Si no hay agua cargada en la coctelera, la unidad limpiará las líneas con aire.

NOTA: La unidad no lavará las líneas mientras la tapa del portacápsulas **22** esté levantada.

El modo de pausa se activa de tres maneras.

- Se presiona el botón de mezcla.
 - Presione el botón de mezcla una vez más para reanudar.
- La tapa del portacápsulas **22** está abierta.
 - Cierre la tapa y presione el botón de mezcla.
- Una botella se queda sin líquido
 - Reemplace la botella vacía como se describe en la sección LA BOTELLA SE AGOTA DURANTE LA MEZCLA.

Encienda los LED del modo Fiesta (Fig. K)

Los LED de botella **16** se pueden configurar para que parpadeen en un patrón preestablecido.

1. Encienda la coctelera presionando el lado "I" del interruptor de encendido **14**. Los 6 LED de botella se iluminarán.
2. Presione el botón de modo fiesta **27** por segunda vez para configurar el modo fiesta. Los LED comenzarán a parpadear.
3. Presione el botón del modo fiesta por segunda vez para apagar los LED de botella.
4. Presione el botón del modo fiesta por tercera vez para apagar todos los LED de botella.

MANTENIMIENTO



ADVERTENCIA: Para reducir el riesgo de lesiones personales serias, apague la unidad, permita que el motor se detenga, y manténgase alejado del interruptor de encendido antes de realizar cualquier ajuste o retirar/instalar conexiones o accesorios. Un arranque accidental puede causar lesiones.

Su aparato BLACK+DECKER ha sido diseñado para operar por un periodo prolongado de tiempo con un mínimo de mantenimiento. El funcionamiento continuo satisfactorio depende del cuidado adecuado del aparato y la limpieza regular.

Limpieza (Fig. C)



ADVERTENCIA: Nunca use solventes u otros químicos fuertes para limpiar las partes no metálicas del aparato. Estos químicos pueden debilitar los materiales plásticos usados en estas partes. Use una tela humedecida únicamente con agua y jabón suave. Nunca permita que entre líquido al aparato; nunca sumerja ninguna parte del aparato en líquido.



ATENCIÓN: Los popotes, los retenes de botella, el recipiente para cápsulas, la cubierta de la bandeja de goteo y la botella de agua son seguros para lavavajillas en la rejilla superior. Se recomienda que enjuague manualmente los accesorios antes de colocarlos en el lavavajillas.

- Limpie el interior de las pajillas con agua tibia, jabón suave y el limpiador de popotes provisto **30**.
- Limpie todas las partes externas con un paño humedecido con agua tibia y jabón suave.
- Retire la copa para cápsulas **23** jalándolo hacia arriba y hacia fuera del portacápsulas **21**. Para volver a instalar la copa, deslícela en el portacápsulas y presione hacia abajo. Asegúrese que la copa se asiente completamente y de forma segura dentro del portacápsulas.

Modo de Limpieza (Fig. E, I, L, M)

Se recomienda limpiar las líneas de líquido de la coctelera por lo menos una vez al mes.

1. Retire la cápsula **20** del portacápsulas **21**. Asegúrese que la copa de cápsula **23** permanezca en su lugar.
2. Coloque un vaso grande que contenga al menos 10 oz (300 ml) en la bandeja de goteo **3**.
3. Retire las botellas como se describe en la sección DESINSTALACIÓN DE BOTELLAS.
4. Llene un vaso con por lo menos 2 oz (60 ml) de agua.
5. Coloque un popote **7** en el vaso e instale el popote como se describe en la sección INSTALACIÓN DE BOTELLAS.
6. Repita los pasos 1 - 5 para todas las botellas.
7. Presione el botón de modo de limpieza **28** durante 6 segundos.
8. Una vez que la unidad comience a bombear agua, suelte el botón del modo de limpieza.

9. Los LED de botella **16** se encenderán uno a la vez para indicar qué línea se está limpiando. Una vez que todos los LED se encienden, el proceso está completo.
10. Puede salpicar agua en el escáner del código de barras **31**. Use una toalla limpia y seca para limpiar el escáner de código de barras y el área circundante.
11. Instale las botellas como se describe en la sección INSTALACIÓN DE BOTELLAS.

Accesorios



ADVERTENCIA: Ya que los accesorios, diferentes a los ofrecidos por BLACK+DECKER, no han sido probados con este producto, el uso de tales accesorios con esta herramienta podría ser peligroso. Para reducir el riesgo de lesiones, sólo se deben usar accesorios recomendados por BLACK+DECKER con este producto.

Los accesorios recomendados para uso con su herramienta están disponibles por un costo adicional a partir de su distribuidor local o centro de servicio autorizado. Si necesita asistencia para localizar cualquier accesorio, póngase en contacto con BLACK+DECKER llame al **1-800-544-6986**.

Almacenamiento

- Limpie las líneas de líquido como se describe en la sección MODO DE LIMPIEZA.
- Apague el aparato.
- ¡Almacene siempre desconectado del suministro de energía!
- Conserve en un lugar lo más fresco y seco posible.
- Guárdelo en un lugar al que no puedan acceder niños o personas no autorizadas.
- Retire todas las botellas, cápsulas, popotes y tapones del aparato cuando lo guarde durante largos periodos de tiempo.
- Revise el aparato en busca de daños antes de usarlo después de largos periodos de almacenamiento.

Transporte

- Transporte siempre sus productos desconectados del suministro de energía.
- Gire el interruptor de encendido a la posición de apagado.
- Verifique que el electrodoméstico no esté dañado antes de usarlo después del transporte
- Retire todas las botellas, cápsulas, popotes y tapones del aparato para el transporte.
- No transporte con botellas instaladas.

Datos Técnicos

12VCD 1000mA

Registro en Línea

Gracias por su compra. Registre su producto ahora para:

- **SERVICIO EN GARANTÍA:** Si completa esta tarjeta, podrá obtener un servicio en garantía más eficiente, en caso de que exista un problema con su producto.
- **CONFIRMACIÓN DE PROPIEDAD:** En caso de una pérdida que cubra el seguro, como un incendio, una inundación o un robo, el registro de propiedad servirá como comprobante de compra.
- **PARA SU SEGURIDAD:** Si registra el producto, podremos comunicarnos con usted en el caso improbable que se deba enviar una notificación de seguridad conforme a la Federal Consumer Safety Act (Ley Federal de Seguridad de Productos para el Consumidor).
- Registro en línea en [www.BlackandDecker.com/](http://www.BlackandDecker.com/NewOwner) NewOwner.

GARANTÍA LIMITA DE DOS AÑOS

Black & Decker (EUA) Inc. garantiza que este producto está libre de defectos en material o mano de obra por un periodo de dos (2) años a partir de la fecha de compra, previniendo que el producto se use en un ambiente doméstico. Esta garantía limitada no cubre fallas debidas a abuso, daño accidental o cuando se hayan realizado o intentado reparaciones por cualquier otra persona diferente a BLACK+DECKER y sus Centros de Servicio Autorizados. Un producto defectuoso que cumpla con las condiciones de la garantía establecidas en el presente se reemplazará o reparará sin cargo en cualquiera de dos maneras:

La primera, que resultará en intercambios únicamente, es devolver el producto al minorista en donde se compró (previniendo que la tienda sea un minorista participante). Las devoluciones se deben realizar dentro del periodo de tiempo de la política de intercambios del minorista. Se puede requerir un comprobante de compra. Por favor revise con el minorista su política de devolución específica respecto a los límites de tiempo para devoluciones o intercambios. La segunda opción es llevar o enviar el producto (prepagado) a un Centro de Servicio propiedad o autorizado por BLACK+DECKER para reparación o reemplazo a opción de BLACK+DECKER. Se puede requerir un comprobante de compra. Los centros de servicio propiedad o autorizados por BLACK+DECKER se indican en línea en www.blackanddecker.com. Esta garantía no aplica a los accesorios. Esta garantía le da derechos legales específicos y puede tener otros derechos que varían de estado a estado o de una provincia a otra. Si tiene cualquier pregunta, póngase en contacto con el gerente de su Centro de Servicio BLACK+DECKER más cercano. Este producto no está diseñado para uso comercial, y de forma correspondiente, tal uso comercial de este producto anulará la garantía. Se renuncia a todas las demás garantías, expresas o implícitas, por medio del presente.

AMÉRICA LATINA: Esta garantía no aplica a productos vendidos en América Latina. Para productos vendidos en América Latina, revise la información de garantía específica contenida en el empaque, llame a la compañía local o consulte la página de Internet respecto a tal información.

Imported by Black & Decker (U.S.) Inc.,
701 E. Joppa Rd.
Towson, MD 21286

