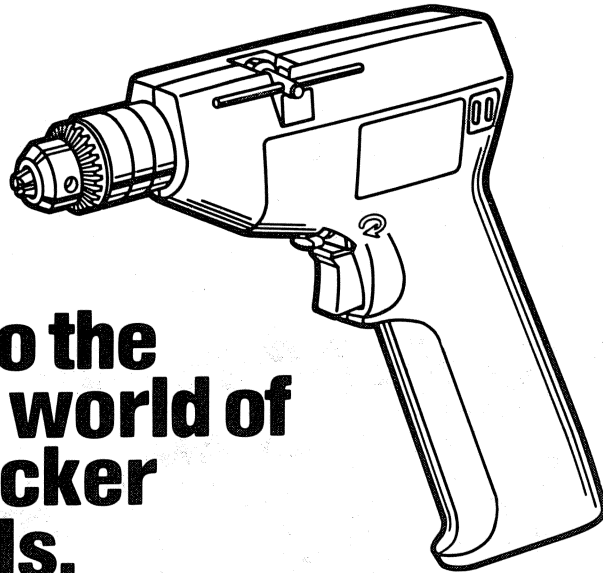


BLACK & DECKER®



Instruction Manual

3/8" Compact Cordless Drill



Welcome to the wonderful world of Black & Decker Power Tools.

If you already own a Black & Decker Power Tool you know the pleasure a quality, high performance tool can deliver.

Your new 3/8" Compact Cordless Drill is built in that same tradition that has kept Black & Decker the most respected name in power tools for over seventy years.

Full power in forward and reverse, a big 3/8" chuck, and no cord to worry about . . . ever, make your new drill a real value that will deliver power and convenience for years to come.

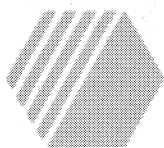
A convenient 3 hour continuous charger is included to keep your drill constantly fresh and ready for work.

Take a few minutes to read this informative instruction manual. Pay particular attention to the safety rules we've provided for your protection.

We want you to enjoy your Black & Decker tool and the more you know about it and its capabilities, the happier you'll be with it.

Thanks for selecting Black & Decker!

Don't forget to send in your owner's registration card.



BLACK & DECKER®

SAFETY INSTRUCTIONS

WARNING: When using Electric Tools, basic safety precautions should always be followed to reduce the risk of fire, electric shock, and personal injury, including the following:

READ ALL INSTRUCTIONS

1. **KEEP WORK AREA CLEAN.** Cluttered areas and benches invite injuries.
2. **CONSIDER WORK AREA ENVIRONMENT.** Don't expose power tools to rain. Don't use power tools in damp or wet locations. Keep work area well lit.
3. **GUARD AGAINST ELECTRIC SHOCK.** Prevent body contact with grounded surfaces. For example: pipes, radiators, ranges, refrigerator enclosures.
4. **KEEP CHILDREN AWAY.** All visitors should be kept away from work area. Do not let visitors contact tool or extension cord.
5. **STORE IDLE TOOLS.** When not in use, tools should be stored in dry, and high or locked up place — out of reach of children.
6. **DON'T FORCE TOOL.** It will do the job better and safer at the rate for which it was intended.
7. **USE RIGHT TOOL.** Don't force small tool or attachment to do the job of a heavy duty tool. Don't use tool for purpose not intended, for example, don't use circular saw for cutting tree limbs or logs.
8. **DRESS PROPERLY.** Do not wear loose clothing or jewelry. They can be caught in moving parts. Rubber gloves and nonskid footwear are recommended when working outdoors. Wear protective hair covering to contain long hair.
9. **USE SAFETY GLASSES.** Also use face or dustmask if cutting operation is dusty.
10. **DON'T ABUSE CORD.** Never carry tool by cord or yank it to disconnect from receptacle. Keep cord from heat, oil, and sharp edges.
11. **SECURE WORK.** Use clamps or a vise to hold work. It's safer than using your hand and it frees both hands to operate tool.
12. **DON'T OVERREACH.** Keep proper footing and balance at all times.
13. **MAINTAIN TOOLS WITH CARE.** Keep tools sharp and clean for better and safe performance. Follow instructions for lubricating and changing accessories. Inspect tool cords periodically and, if damaged, have repaired by authorized service facility. Inspect extension cords periodically and replace if damaged. Keep handles dry, clean and free from oil and grease.
14. **DISCONNECT TOOLS.** When not in use, before servicing, and when changing accessories, such as blades, bits, cutters.
15. **REMOVE ADJUSTING KEYS AND WRENCHES.** Form habit of checking to see that keys and adjusting wrenches are removed from tool before turning it on.
16. **AVOID UNINTENTIONAL STARTING.** Don't carry plugged-in tool with finger on switch. Be sure switch is off when plugging in.
17. **OUTDOOR USE EXTENSION CORDS.** When tool is used outdoors, use only extension cords intended for use outdoors and so marked.
18. **STAY ALERT.** Watch what you are doing. Use common sense. Do not operate tool when you are tired.
19. **CHECK DAMAGED PARTS.** Before further use of the tool, a guard or other part that is damaged should be carefully checked to determine that it will operate properly and perform its intended function. Check for alignment of moving parts, binding of moving parts, breakage of parts, mounting, and any other conditions that may affect its operation. A guard or other part that is damaged should be properly repaired or replaced by an authorized service center unless otherwise indicated elsewhere in this instruction manual. Have defective switches replaced by authorized service center. Do not use tool if switch does not turn it on or off.
20. **DO NOT OPERATE** portable electric tools near flammable liquids or in gaseous or explosive atmospheres. Motors in these tools normally spark, and the sparks might ignite fumes.

SAVE THESE INSTRUCTIONS

Additional Drill Safety Rules

1. Be aware that this tool is always in an operating condition, because it does not have to be plugged into an electrical outlet. Keep the switch control button in **LOCK-“OFF”** position (Figure 2) when not using tool.
2. When drilling, or driving screws, into walls, floors or wherever “live” electrical wires may be encountered, **DO NOT TOUCH ANY FRONT METAL PARTS OF THE TOOL!** Hold the tool only by the plastic handle to prevent electric shock if you drill or drive into a “live” wire.

Important Charger & Drill Safety Instructions

1. **SAVE THESE INSTRUCTIONS** — This manual contains important safety and operating instructions.
2. Before using battery charger, read all instructions and cautionary markings on battery charger and drill.
3. The Charger and Drill are specifically designed to work together. **DO NOT** attempt to charge any other cordless tool or battery pack with this Charger. **DO NOT** attempt to charge the Drill with any other Charger than the one shown in this manual.
4. Do not expose charger to rain or snow.
5. Use of an attachment not recommended or sold by the battery charger manufacturer may result in a risk of fire, electric shock, or injury to persons.
6. To reduce risk of damage to electric plug and cord, pull by plug rather than cord when disconnecting charger.

7. Make sure cord is located so that it will not be stepped on, tripped over, or otherwise subjected to damage or stress.
8. An extension cord should not be used unless absolutely necessary. Use of improper extension cord could result in a risk of fire and electric shock. If extension cord must be used, make sure:
 - a. That pins on plug of extension cord are the same number, size, and shape as those of plug on charger;
 - b. That extension cord is properly wired and in good electrical condition; and
 - c. That wire size is large enough for AC ampere rating of charger as specified in Table 1 (see Table that follows).
9. Do not operate charger with damaged cord or plug — replace them immediately.
10. Do not operate charger if it has received a sharp blow, been dropped, or otherwise damaged in any way; take it to a qualified Black & Decker Service Center.
11. Do not disassemble charger; take it to a qualified Black & Decker Service Center when service or repair is required. Incorrect reassembly may result in a risk of electrical shock or fire. There are no consumer serviceable parts inside.
12. To reduce risk of electric shock, unplug charger from outlet before cleaning.
13. **NEVER** attempt to connect 2 Chargers together.
14. **DO NOT** store the Tool in locations where the temperature may reach or exceed 120°F (such as outside sheds or metal buildings in summer).

15. **DO NOT** charge Drill when it or air temperature is **BELOW +40° F** or **ABOVE +105° F**.
16. **DO NOT** incinerate the Drill even if it is severely damaged or is completely worn out. The batteries can explode in a fire.
A small leakage of liquid from the battery cells may occur under extreme usage, charging or temperature conditions. This does not indicate a failure. However, if the outer seal is broken and this leakage gets on your skin—
- a. Wash quickly with soap and water.

- b. Neutralize with a mild acid such as lemon juice or vinegar.
 - c. If battery liquid gets into your eyes, flush them with clean water for a minimum of 10 minutes and seek immediate medical attention.
(Medical Note: The liquid is a 25-35% solution of potassium hydroxide.)
17. The charger is designed to operate on standard household electrical power (120 volts AC only). Do not attempt to use it on any other voltage!
18. Do not attempt to open the Drill housing.

Table 1

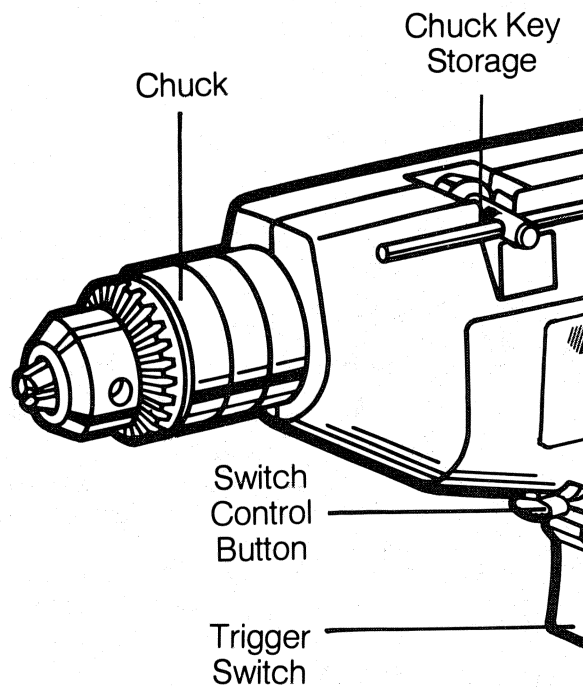
RECOMMENDED MINIMUM AWG* SIZE FOR
EXTENSION CORDS FOR BATTERY CHARGERS

AC Input Rating Amperes**		AWG* Size of Cord			
Equal to or greater than	but less than	Length of Cord, Feet			
		25	50	100	150
0	2	18	18	18	16
2	3	18	18	16	14
3	4	18	18	16	14

*American Wire Gauge

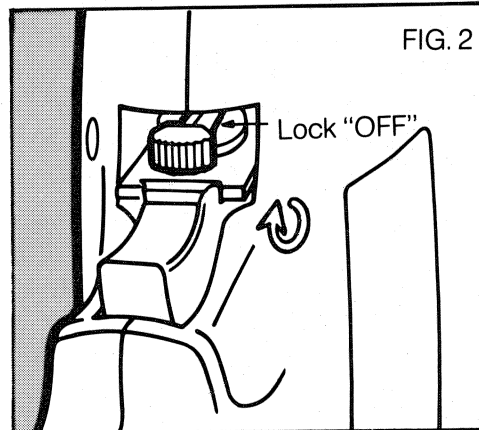
**If the input rating of a charger is given in watts rather than in amperes, the corresponding ampere rating is to be determined by dividing the wattage rating by the voltage rating—for example:

$$\frac{1250 \text{ watts}}{125 \text{ volts}} = 10 \text{ amperes}$$

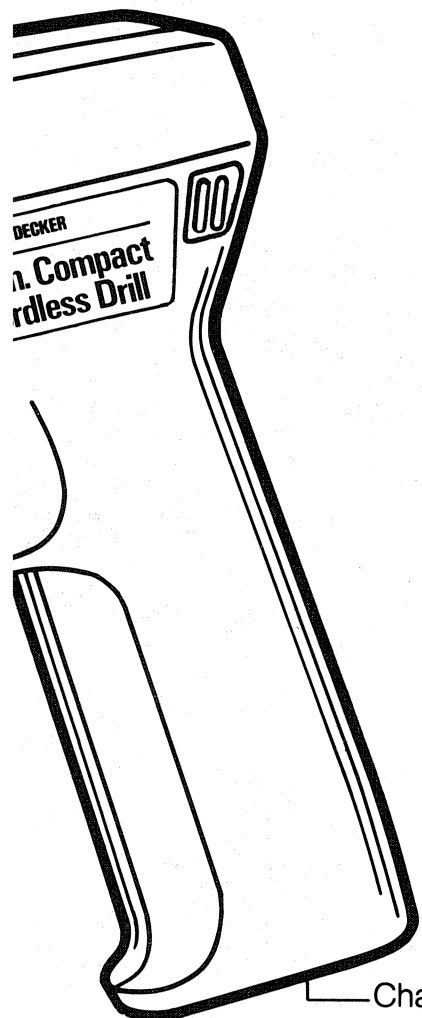


Trigger Switch & Control Button

The Drill is turned "ON" and "OFF" by pulling and releasing the Trigger Switch. However, the Trigger can be locked "OFF" by positioning the Switch Control Button in the center position (Figure 2). This position should be used



to prevent the Trigger from being accidentally pressed when the tool is not in use, when attaching or changing accessories, when cleaning or servicing the Drill, and when charging the Drill. Use the lock "OFF" feature when transporting the tool in a tool box or similar carrier.



Charging Socket

For driving screws or drilling holes, the Switch Control Button should be in the **FORWARD** position (Figure 3 & 3A).

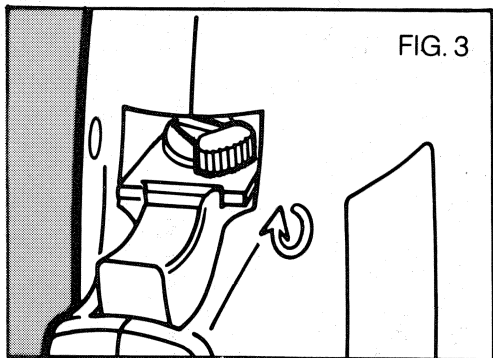
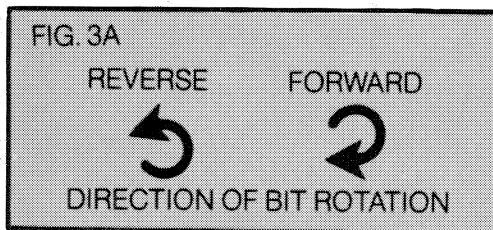


FIG. 3



Use the **REVERSE** position (Figure 3A & 4) for removing screws or smoothly withdrawing Drill. When moving from **FORWARD TO REVERSE**, or vice

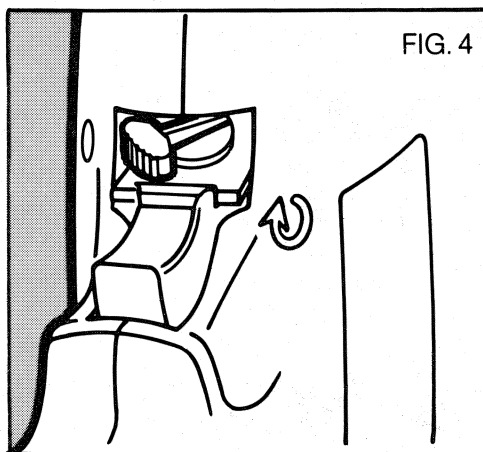


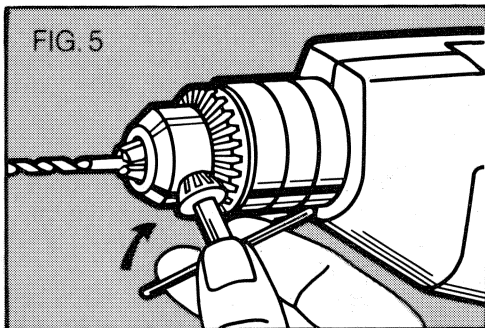
FIG. 4

versa, always release the Trigger first as the Control Button will not move when the Trigger is depressed.

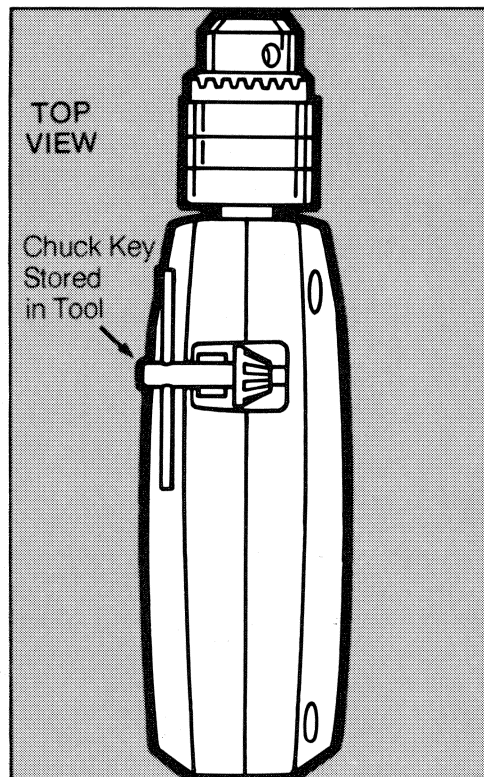
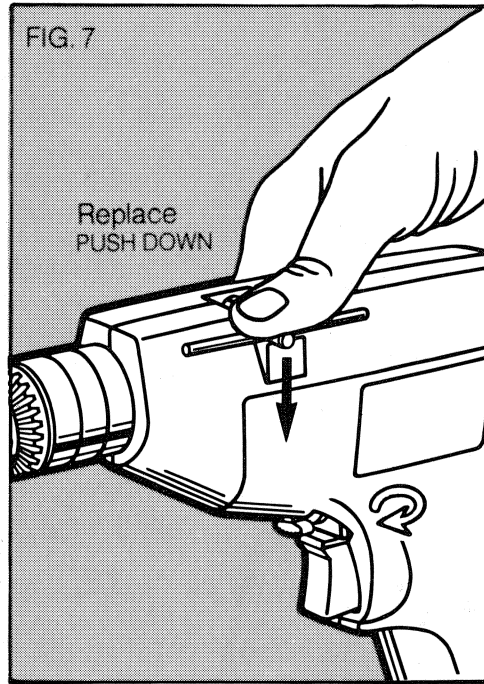
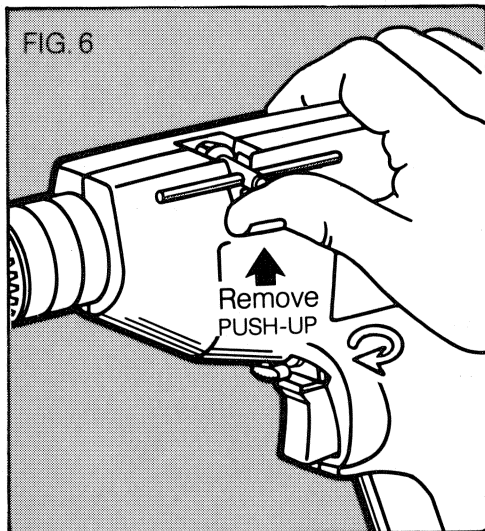
Always store Drill with control in **LOCK — "OFF"** position.

Chuck & Key

Turn Chuck collar to open Chuck jaws. Place bit in Chuck as far as it will go. Tighten Chuck collar by hand. Place Chuck Key in each of the three holes, and tighten in clockwise direction (Figure 5). It's important to tighten Chuck with all three holes to prevent bit slippage. To release bit, turn Chuck Key counter-clockwise in just one hole, then loosen Chuck by hand.



When not in use, the Chuck Key can be stored in the tool. To remove the Key, place thumb as shown in Figure 6 and push Key firmly upward out of its holding socket. To replace Key, push firmly and completely down into the socket (Figure 7).



Charging The Drill

THE BATTERIES IN YOUR NEW DRILL ARE NOT FULLY CHARGED!

Before attempting to charge your drill, thoroughly read **ALL** of the safety instructions on pages 3, 4, 5 and 9.

To charge your drill, follow the steps below.

1. Put the Switch Control Button in the Lock "OFF" position and remove any accessories from the chuck.
2. Open the sliding door on the bottom of the handle by sliding it toward the back.
3. Plug the input cord of the charger into the socket in the bottom of the drill handle.
4. Plug the charger into any standard 120 volt electrical outlet.
5. Allow the tool to remain in this condition for three hours . . . it will then be fully charged.
6. Unplug the tool from the charger cord and close the sliding door on the bottom of the drill handle. (You will hear and feel a soft click when the door is fully closed.)

Important Notes

1. To prolong battery life, avoid leaving the tool on charge for periods longer than two days. Although overcharging is not a safety concern, it can significantly reduce overall battery life.
2. The charger can remain plugged into the electrical outlet indefinitely with no adverse effects. It will remain slightly warm to the touch if left plugged in . . . this is normal and does not indicate a problem.

3. A drill with a fully depleted battery will not operate by plugging it into the charger. If a partial charge is left in the battery, the tool will operate when plugged into the charger, but this procedure will not prolong battery life or produce any other advantage. The practice is not recommended.

Important Charging Notes

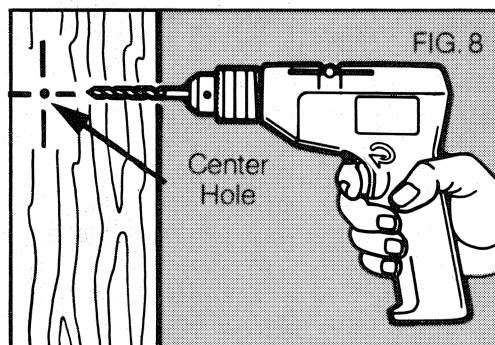
1. Longest life and best performance can be obtained if the batteries are charged when the air temperature is about +75°F. **DO NOT** charge the batteries in an air temperature below +40°F or above +105°F. This is important and will prevent serious damage to the batteries.
2. When you charge your Drill for the first time, or after prolonged storage, it will only accept about an 80% charge. However, after several charge and discharge cycles, the batteries will come up to full capacity.
3. If the batteries do not charge properly — (1) Check current at receptacle by plugging in a lamp or other appliance, (2) Check to see if receptacle is connected to a light switch which turns power off when you turn out the lights.
4. If the receptacle is o.k., and you do not get proper charging, take or send the tool and charger to your local Service Center. See "TOOLS, ELECTRIC" in yellow pages.
5. The Drill should be recharged when it fails to produce sufficient power on jobs which were easily done previously. **DO NOT CONTINUE** to use under these conditions. Repeat the charging procedure.

Operation

FOR LONGEST BATTERY LIFE,
DON'T FORCE TOOL!

DRILLING:

1. Lock Trigger Switch "OFF" with Switch Control Button when attaching or changing bits or accessories.
2. Use sharp drill bits only. For **WOOD**, use twist drill bits, spade bits, power auger bits, or hole saws. For **METAL**, use high-speed steel twist drill bits. For **MASONRY**, such as brick, cement, cinder block, etc., use carbide-tipped bits.
3. Be sure the material to be drilled is anchored or clamped firmly. If drilling thin material, use a wood "back-up" block to prevent damage to material.
4. Center-punch an indentation at the point to be drilled. This will overcome tendency of bit to slip around on a smooth surface. Place the tip of bit in indentation and turn motor "ON." See Figure 8.



5. Always apply pressure in a straight line with the bit. Use enough pressure to keep Drill biting, but do not push hard enough to stall motor or deflect bit. To minimize stalling on breaking through the material, reduce pressure on Drill and ease the bit through last part of hole.
6. Hold Drill firmly to control the twisting action of the Drill.

DRILLING IN WOOD: Holes in wood can be made with the same twist drill bits used for metal. These bits should be sharp and should be pulled out frequently when drilling to clear chips from the flutes. Work that is apt to splinter should be backed up with a block of wood. Let up on the pressure just before the tip cuts through, this will give a good clean hole.

DRILLING IN METAL: Use a cutting lubricant when drilling ferrous metals. The exceptions are iron and brass which should be drilled dry. The cutting lubricants that work best are sulphurized cutting oil or lard oil; bacon grease will also serve the purpose.

Cleaning & Lubrication

Use only mild soap and a damp cloth to clean the tool. Do not use gasoline, turpentine, lacquer or paint thinner, dry cleaning fluids or similar products. Never let any liquid get inside the tool; never immerse any part of the tool into a liquid.

Self lubricating bearings are used in the tool and periodic relubrication is not required. In the unlikely event that your Drill should ever require service, take or send it to your local Black & Decker Service Center or Authorized Service Station. Service Center addresses are listed on the owner's registration card packed with your Drill.

Storage

1. The best storage place is one that is cool and dry — **away** from direct sunlight, heating pipes and ducts, furnaces, etc.
2. Best storage temperature is approximately +50°F. Do not store where temperatures may go below +40°F or above +120°F. Avoid storage in outside metal buildings where the temperature could go above +120°F in summer, as this could damage the Drill.
3. Long storage will not harm the Drill or Charger. Under the proper conditions (given above) they can be stored for 5 years or more without harm.

Important

To assure product **SAFETY** and **RELIABILITY**, repairs, maintenance and adjustment should be performed by Black & Decker Service Centers or other qualified service organizations, always using Black & Decker replacement parts.

Accessories

The Accessories listed in this manual are available at extra cost from your local Dealer or Black & Decker Service Center. A complete listing of service centers is included on the owner's registration card packed with your tool. If you need assistance in locating any accessory, please contact: Black & Decker (U.S.) Inc., User Services Department, 626 Hanover Pike, P.O. Box 618, Hampstead, MD 21074-0618.

Recommended Accessories for your tool are shown in this manual. The use of any other Accessory might be hazardous.

We strongly recommend that you first purchase the No. U-2106 Safety Glasses which should be worn when using all Cordless Drill Accessories.

For safety in use, the following Accessories should be used only in the sizes specified below:

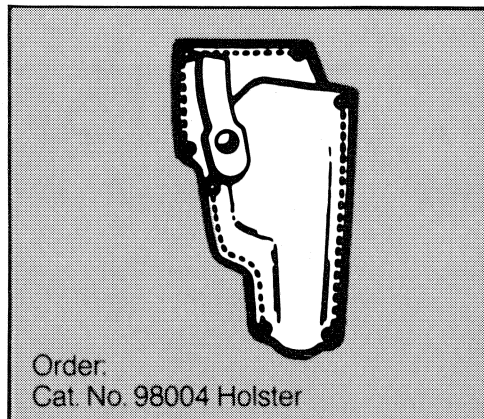
BITS, METAL DRILLING—Up to 3/8".

BITS, MASONRY DRILLING—Up to 3/8".

BITS, WOOD DRILLING—Up to 3/8".

Holster

This Holster fastens to your belt and keeps the tool handy and ready for work. It also frees both hands when you are not actually using the tool.



Never holster your drill with a bit in the chuck.

Home Use Warranty (A Full Two Year Warranty)

Catalog Numbers 9026

Black & Decker (U.S.) Inc. warrants this product for two years against any defects that are due to faulty material or workmanship. Please return the complete unit, transportation prepaid, to the seller (if a participating retailer) for free replacement (proof of purchase may be required). The unit may also be returned to a Black & Decker Service Center or Authorized Service Station, listed under "TOOLS ELECTRIC" in the yellow pages for free replacement or repair at our option. This warranty does not apply to Accessories. This warranty gives you specific legal rights and you may have other rights which vary from state to state. Should you have any questions, contact your nearest Black & Decker Service Center Manager.

Like most Black & Decker tools, your Drill is listed by Underwriters' Laboratories to ensure that it meets stringent safety requirements.

This symbol on the nameplate means the product is Listed by Underwriters' Laboratories, Inc.



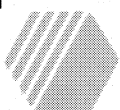
Commercial Use Warranty

Catalog Number 6091

Black & Decker (U.S.) Inc. warrants this product for one year. We will repair, without charge, any defects due to faulty material or workmanship or at our option replace the product free. Please return the complete unit, transportation prepaid, to any Black & Decker Service Center or Authorized Service Station listed under "Tools Electric" in the yellow pages. This warranty does not apply to accessories.



See 'Tools-Electric'
—Yellow Pages—
for Service & Sales



BLACK & DECKER®

BLACK & DECKER (U.S.) INC., U.S. Power Tools Group, 10 North Park Drive, P.O. Box 798, Hunt Valley, MD 21030-0798

Form No. 741338-01
(JUL88-CD-2) © 1988 Black & Decker Printed in U.S.A.