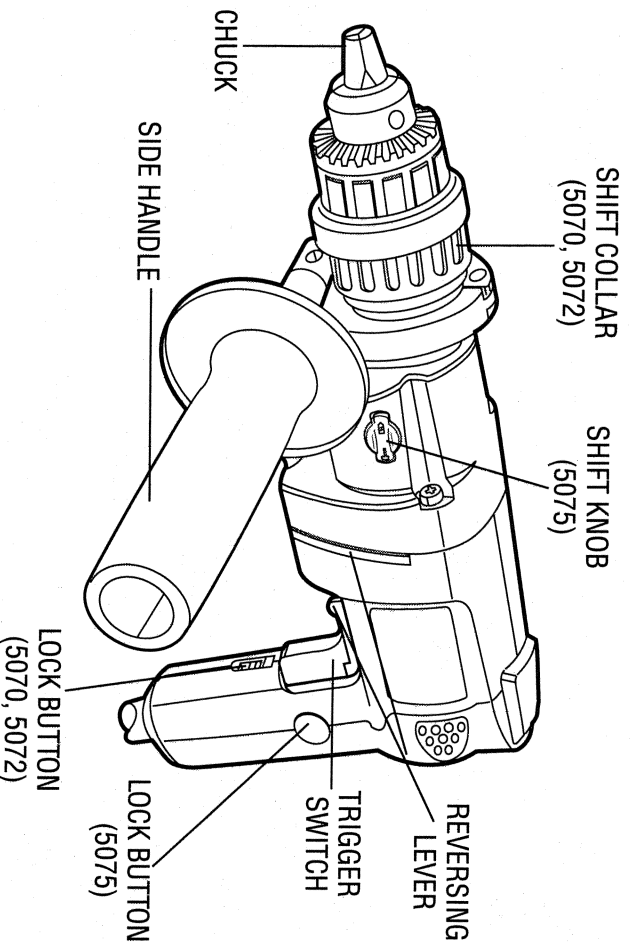


**Instruction Manual**  
**5070 • 5072 • 5075**  
**Hammerdrills**

## Getting the most out of your tool.

Please take time to read this manual and pay particular attention to the safety rules we've provided for your protection. If you have any questions about your tool please call:

**1-800-9-BD TOOL**  
**(1-800-923-8665)**



- 5070 3/8" Hammerdrill (0-2500)
- 5072 1/2" Hammerdrill (0-1400/3100)
- 5075 1/2" Hammerdrill (0-1200/2800)

## IMPORTANT SAFETY INSTRUCTIONS

**WARNING:** When using electric tools, basic safety precautions should always be followed to reduce risk of fire, electric shock, and personal injury, including the following:

### READ ALL INSTRUCTIONS

#### Double Insulation

Double insulated tools are constructed throughout with two separate layers of electrical insulation or one double thickness of insulation between you and the tool's electrical system. Tools built with this insulation system are not intended to be grounded. As a result, your tool is equipped with a two prong plug which permits you to use extension cords without concern for maintaining a ground connection.

**NOTE:** Double insulation does not take the place of normal safety precautions when operating this tool. The insulation system is for added protection against injury resulting from a possible electrical insulation failure within the tool.

**CAUTION:** WHEN SERVICING USE ONLY IDENTICAL REPLACEMENT PARTS. Repair or replace damaged cords.

#### Polarized Plugs

Polarized plugs (one blade is wider than the other) are used on equipment to reduce the risk of electric shock. When provided, this plug will fit into a polarized outlet only one way. If the plug does not fit fully into your outlet, reverse the plug. If it still does not fit, contact a qualified electrician to install the proper outlet. Do not change the plug in any way.

## Safety Instructions For All Tools

- **KEEP WORK AREA CLEAN.** Cluttered areas and benches invite injuries.
- **CONSIDER WORK AREA ENVIRONMENT.** Don't expose power tools to rain. Don't use power tools in damp or wet locations. Keep work area well lit. Do not use tool in presence of flammable liquids or gases.
- **GUARD AGAINST ELECTRIC SHOCK.** Prevent body contact with grounded surfaces. For example; pipes, radiators, ranges, and refrigerator enclosures.
- **KEEP CHILDREN AWAY.** Do not let visitors contact tool or extension cord. All visitors should be kept away from work area.
- **STORE IDLE TOOLS.** When not in use, tools should be stored in dry, and high or locked-up place — out of reach of children.
- **DON'T FORCE TOOL.** It will do the job better and safer at the rate for which it was intended.
- **USE RIGHT TOOL.** Don't force small tool or attachment to do the job of a heavy-duty tool. Don't use tool for purpose not intended.
- **DRESS PROPERLY.** Do not wear loose clothing or jewelry. They can be caught in moving parts. Rubber gloves and non-skid footwear are recommended when working outdoors. Wear protective hair covering to contain long hair.
- **USE SAFETY GLASSES.** Also use face or dust mask if operation is dusty.
- **DON'T ABUSE CORD.** Never carry tool by cord or yank it to disconnect from receptacle. Keep cord from heat, oil, and sharp edges.
- **SECURE WORK.** Use clamps or a vise to hold work. It's safer than using your hand and it frees both hands to operate tool.
- **DON'T OVERREACH.** Keep proper footing and balance at all times.
- **MAINTAIN TOOLS WITH CARE.** Keep tools sharp and clean for better and safer performance. Follow instructions for lubricating and changing accessories. Inspect tool cords periodically and if damaged, have repaired by authorized service facility. Inspect extension cords periodically and replace if damaged. Keep handles dry, clean, and free from oil and grease.
- **DISCONNECT OR LOCK OFF TOOLS** when not in use, before servicing, and when changing accessories, such as blades, bits, cutters.
- **REMOVE ADJUSTING KEYS AND WRENCHES.** Form habit of checking to see that keys and adjusting wrenches are removed from tool before turning it on.

- **AVOID UNINTENTIONAL STARTING.** Don't carry tool with finger on switch. Be sure switch is off when plugging in.
- **EXTENSION CORDS.** Make sure your extension cord is in good condition. When using an extension cord, be sure to use one heavy enough to carry the current your product will draw. An undersized cord will cause a drop in line voltage resulting in loss of power and overheating. The following table shows the correct size to use depending on cord length and nameplate ampere rating. If in doubt, use the next heavier gage. The smaller the gage number, the heavier the cord.

### Minimum Gage for Cord Sets

Volts	Total Length of Cord in Feet	AWG
120V	0-25	101-150
	26-50	51-100
240V	0-50	101-200
	51-100	201-300

Ampere Rating	AWG
More Than	Not more Than
0 - 6	18 16 16 14
6 - 10	18 16 14 12
10 - 12	16 16 14 12
12 - 16	14 12 12 Not Recommended

- **OUTDOOR USE EXTENSION CORDS.** When tool is used outdoors, use only extension cords intended for use outdoors and so marked.
- **STAY ALERT.** Watch what you are doing. Use common sense. Do not operate tool when you are tired.
- **CHECK DAMAGED PARTS.** Before further use of the tool, a guard or other part that is damaged should be carefully checked to determine that it will operate properly and perform its intended function. Check for alignment of moving parts, binding of moving parts, breakage of parts, mounting, and any other conditions that may affect its operation. A guard or other part that is damaged should be properly repaired or replaced by an authorized service center unless otherwise indicated elsewhere in this instruction manual. Have defective switches replaced by authorized service center. Do not use tool if switch does not turn it on and off.

## SAVE THESE INSTRUCTIONS

## Additional Safety Instructions for Hammerdrills

- **CAUTION:** When drilling into walls, floors or wherever live electrical wires may be encountered, DO NOT TOUCH ANY METAL PARTS OF THE TOOL. Hold the tool only by insulated grasping surfaces to prevent electric shock if you drill into a live wire.
- The switch lock feature must be used with caution due to the high torque output of these units.
- Do not attempt to change speeds while tool is running (5072 only).
- Do not attempt to change from hammer to drill mode while tool is running.
- **WEAR EAR PROTECTORS WHEN USING FOR EXTENDED PERIODS.**

## Motor

Your B&D tool is powered by a B&D built motor. Be sure your power supply agrees with the nameplate marking. Voltage decrease of more than 10% will cause loss of power and overheating. All B&D tools are factory tested; if this tool does not operate, check the power supply.

## Switch

To start tool, depress trigger switch; to stop tool, release trigger. To lock trigger in "ON" position for continuous operation, depress trigger and push up locking button (Figure 1), then gently release trigger. To release locking mechanism, depress trigger fully, then release it. Before using the tool (each time) be sure that the locking button release mechanism is working freely.

Do not lock the switch "ON" when drilling by hand so that you can instantly release the trigger switch if the bit binds in the hole. The locking button is for use only when the drill is mounted in a drill press stand or otherwise held stationary.

Be sure to release the locking button before disconnecting the plug from the power supply. Failure to do so will cause the tool to start immediately the next time it is plugged in. Damage or injury could result.

The variable speed trigger switch permits speed control – the farther the trigger is depressed, the higher the speed of the tool. **NOTE:** Use lower speeds for starting holes without a center punch, drilling in metal or plastics, driving screws or drilling ceramics. Higher speeds are better for drilling wood and composition boards, and for using abrasive and polishing accessories.

The reversing lever is used when backing out screws and jammed drill bits. To operate the tool in reverse, release the trigger switch and push the lever to the left (when viewed from the chuck end). To operate the drill in forward for drilling holes or driving screws (as well as other accessories) release the trigger switch and push the lever to the right (when viewed from the chuck end.) Return the reversing lever to the forward position after all operations in reverse are completed.

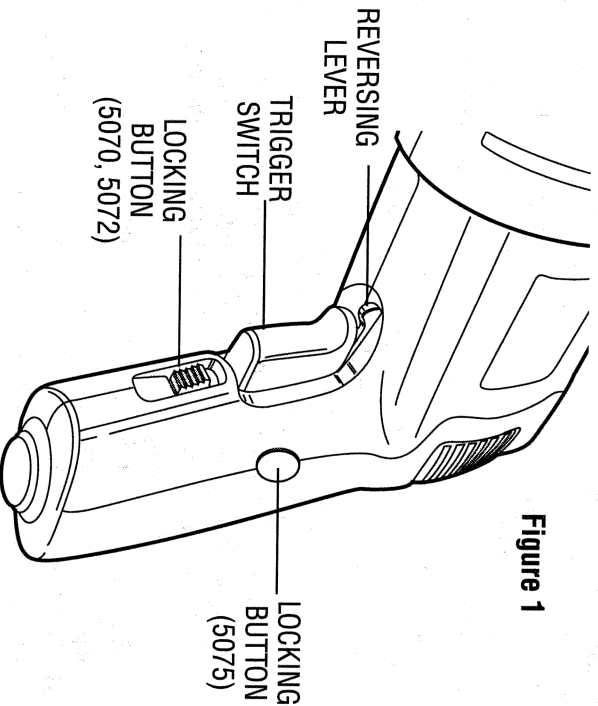


Figure 1

Figure 2

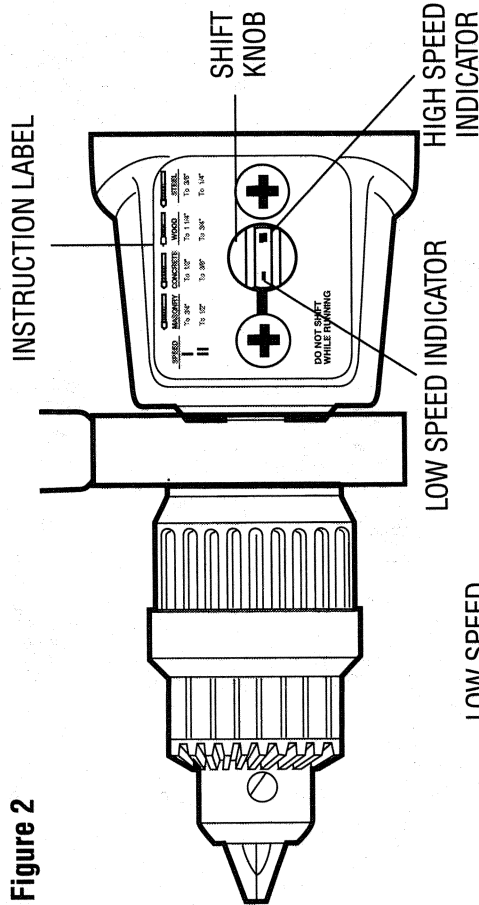


Figure 3

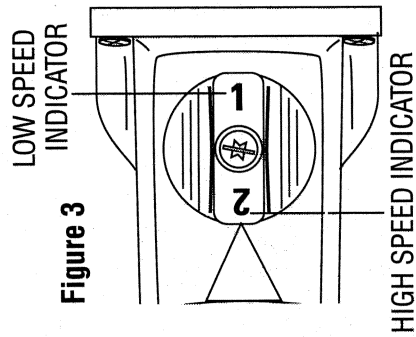


Figure 4

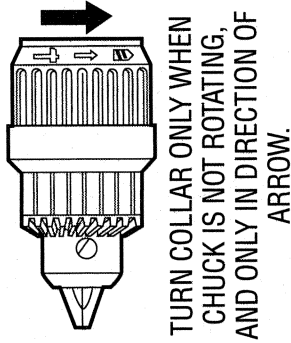
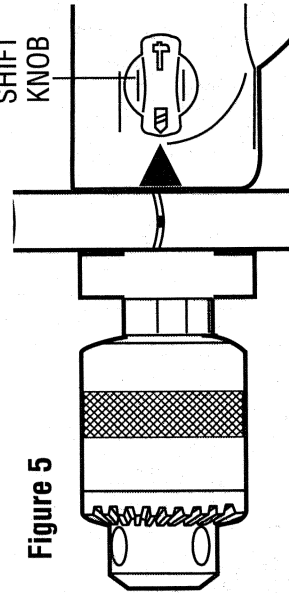


Figure 5



## Gear Shift Operation (5072, 5075 Only)

The two speed gear drive in the dual range hammer drill permits effective operation over an extended range of applications with greater selection of accessories. To select proper speed for a particular job, refer to the instruction label on the underside of the gear case.

For LOW SPEED operation the shift knob (Figure 2) should be rotated so that position "1" symbol is oriented toward the front of the tool (see Figure 3 for 5075).

For HIGH SPEED operation, the shift knob should be rotated so that position "1" is oriented toward the front of the tool (5072). Position "2" should be oriented toward the front of the tool for 5075 (see Figure 3).

**NOTE:** The instruction label on the bottom of the unit is to help the user in determining what speed is best for a specific application.

The gear train has been designed for shifting only when the unit is off. It may be necessary however, to rotate the chuck slightly by hand to align the gears while turning the shift knob. **DO NOT ATTEMPT TO CHANGE SPEEDS** by turning the shift knob when the tool is running. Doing so will damage the gear train.

## Shift Collar Operation

**TO HAMMER (5070, 5072)** — Turn collar in direction of arrow shown in Figure 4 while pulling out toward end of chuck. Turn collar until hammer symbol appears at the top of the tool. For 5075, turn knob shift knob to hammer symbol (see Figure 5). This is the position to be used with percussion type carbide-tipped bits for drilling in tile, masonry, brick, porcelain, etc.

**TO DRILL** — Turn collar or knob in direction of arrow until drill bit symbol appears at the top of the tool. This position is for drilling metal with drill bits, in wood with augers or when using hole saws for cutting wood, metal or composition materials.

## Multi-Position Side Handle & Depth Rod

This handle clamps to the front of the gear case and can be rotated 360 degrees to permit right or left hand use, as shown in Figure 6.

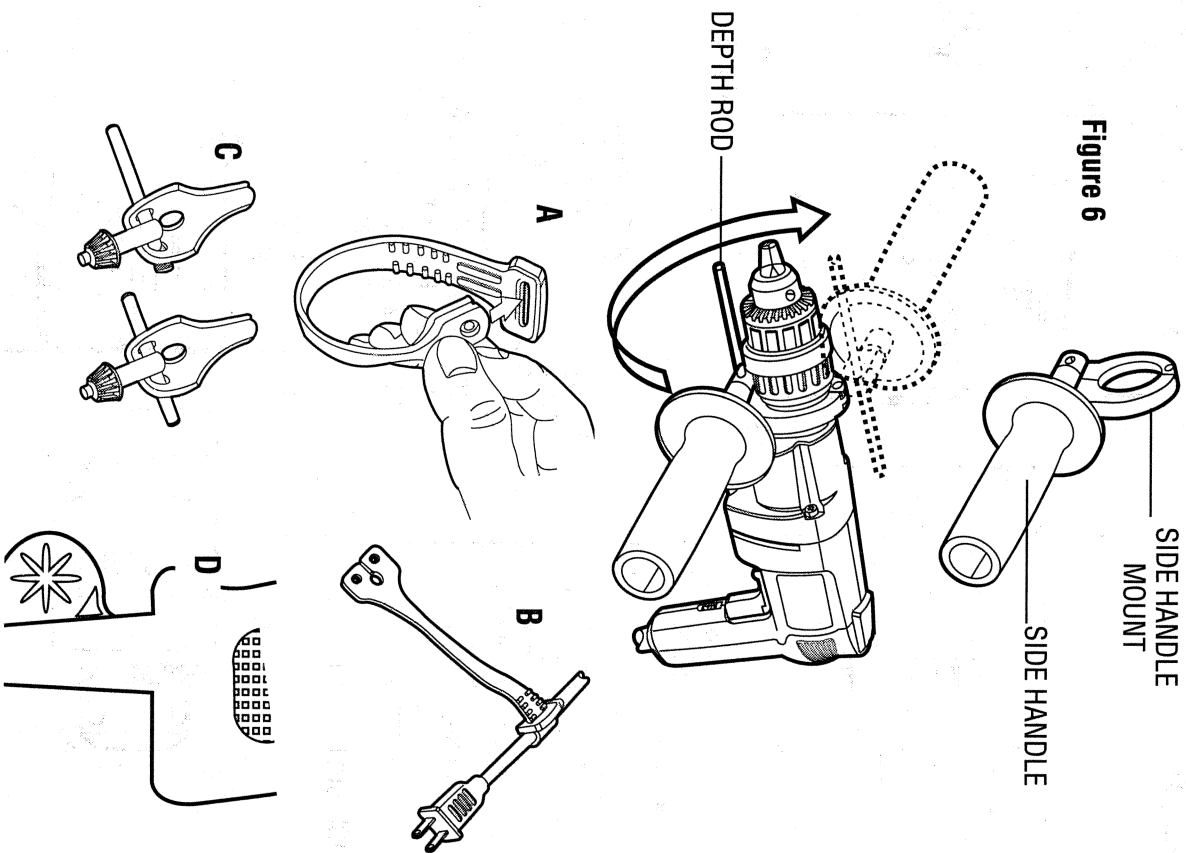
**CAUTION:** Always use side handle and hold drill with both hands.

To set the depth rod, loosen side handle, position the rod so that the length of bit projecting beyond the end of the rod is equal to the desired hole depth, and retighten handle.

## Chuck Key

INSTALL AS SHOWN

1. Push double-hole end of holder through the slot in other end of holder (Figure A.)
2. Slip loop over electric plug and draw loop tight around cord (Figure B.)
3. Push ends of chuck key handle through two holes in end of holder (Figure C.)
4. (5075) Push key through attached holder on cord (Figure D.)



## Accessories

Recommended accessories for use with your tool are available at extra cost from your distributor or local service center.

**CAUTION:** The use of any non-recommended accessory may be hazardous.

If you need assistance in locating any accessory call **1-800-9-BD TOOL:** (1-800-923-8665) or contact Black & Decker (U.S.) Inc., Consumer Services Department, 626 Hanover Pike, P.O. Box 618, Hampstead, MD 21074.

## Maximum Recommended Capacities

CATALOG NO.	5070	5072	5072	5075	5075	5075
CHUCK CAPACITY	3/8"	1/2"	1/2"	1/2"	1/2"	1/2"
R.P.M.	0-2500	0-1400	0-3100	0-1200	0-2800	
MASONRY (brick/block)	1/2"	3/4"	1/2"	3/4"	1/2"	
CONCRETE	3/8"	1/2"	3/8"	1/2"	3/8"	
STEEL	1/4"	3/8"	1/4"	3/8"	1/4"	
WOOD	3/4"	1-1/4"	3/4"	1-1/4"	3/4"	

ACCESSORY MUST BE RATED FOR USE AT SPEED EQUAL TO OR HIGHER THAN NAMEPLATE R.P.M. OF TOOL WITH WHICH IT IS BEING USED.

WIRE WHEEL BRUSHES	4" Diameter Maximum
WIRE CUP BRUSHES	3" Diameter Maximum
BUFFING WHEELS	3" Diameter Maximum
RUBBER BACKING PADS	4-5/8" Diameter Maximum

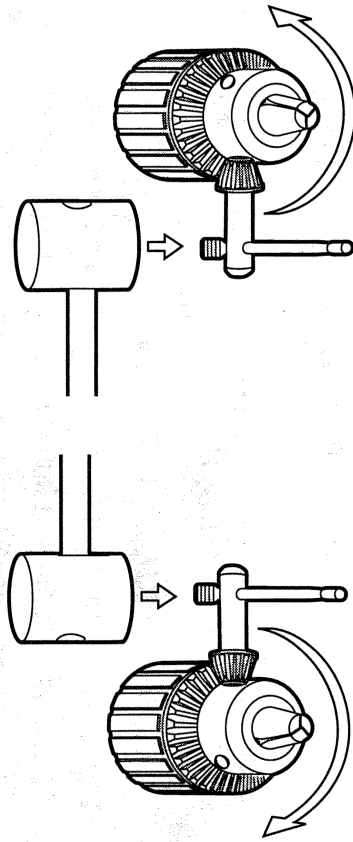


Figure 7

Figure 8

## Chuck Removal

Place chuck key in any one of the three holes in the chuck, as shown in Figure 7. Strike the key sharply in the clockwise direction (when viewed from the front of the tool). This will loosen the chuck so that it can be removed by hand.

Open chuck jaws fully. Insert screwdriver into front of chuck between jaws to engage screw head. Remove screw by turning clockwise (left-hand thread).

Place key in chuck as shown in Figure 8. Using a wooden mallet or similar object, strike key sharply in a counterclockwise direction. This will loosen chuck so that it can be unscrewed by hand.

## Chuck Installation

Screw the chuck on by hand as far as it will go. Place the chuck key in any of the three holes in the chuck and strike it sharply in the clockwise direction (when viewed from the front of the tool) as shown in Figure 7.

## **IMPORTANT!**

To assure product safety and reliability, particularly for double insulated tools, repairs, maintenance and adjustment (excluding maintenance described in this manual) should be performed by B&D service centers or authorized service centers, using identical B&D replacement parts.

Every B&D tool is of the highest quality.

If you wish to contact us regarding this product, please call toll free between 8:00am and 8:00pm ET, seven days a week:

**1-800-9-BD TOOL**

**(1-800-923-8665)**

### **One Year Free Maintenance**

All B&D tools for Industry and Construction are covered under a one year free maintenance program where B&D will inspect your tool for safety and provide necessary maintenance or repairs, including normal wear and tear parts, for one year, FREE OF CHARGE.

### **Full Warranty**

All B&D tools for Industry and Construction are warranted to be free of any defects in materials or workmanship. Upon thorough examination of tool, B&D will repair or replace, at our option, any product that is determined to be defective.

### **Conditions**

The service/safety check and the warranty do not apply to: repairs made or attempted by anyone other than an authorized B&D service location; misuse, abuse, neglect, improper application of the tool; missing parts; or normal wear and tear (after first year of ownership). Please return the complete unit, transportation prepaid, to any B&D factory owned or B&D authorized service center location (list provided with tool or see Yellow Pages under "Tools Electric").



## YOUR POWER TOOLS MAY BE SERVICED AT THE FOLLOWING B&D SERVICE CENTERS.

<b>ALABAMA:</b>	
Birmingham 35209, 2412 Green Springs Hwy.	205-942-0538
Mobile 36608, 3831 Airport Blvd.	205-343-6624
<b>ALASKA:</b>	
Anchorage 99518, 910 West International Airport Rd.	907-563-4664
<b>ARIZONA:</b>	
Mesa 85202, 535 S. Dobson, Suite 7	602-461-1074
Phoenix 85013, 4501 N. 7th Avenue	602-290-6414
Tucson 85712, 4845 E. Speedway Blvd.	602-323-3388
<b>ARKANSAS:</b>	
Little Rock 72201, 519 W. Seventh St.	501-372-3040
<b>CALIFORNIA:</b>	
Anaheim 92806, 540 South State College Blvd.	714-772-4050
Chula Vista 91910, 309 Broadway	619-420-6350
Concord 94520, 1500 Monument Blvd., #C2	910-682-4880
Fresno 93710, 5412 North Blackstone Ave.	209-435-0810
Long Beach 90805, 2011 South St.	310-422-5825
Los Angeles 90040, 4820 South Eastern Ave., Suite "L"	213-720-1834
Riverside 92506, 6215 Magnolia Ave., Suite "B"	909-787-9700
Sacramento 95825, 2033 Fulton Ave.	916-972-9090
San Diego 92123, 9270 Clairemont Mesa Blvd.	619-279-2011
San Jose 95128, 1165 So. Bascom Ave.	408-293-7350
San Leandro 94578, 15206 E. 14th St.	510-276-1610
Van Nuys 91411, 14920 Victory Blvd.	818-787-5531
<b>COLORADO:</b>	
Denver 80219, 1171 S. Federal Blvd.	303-922-8325
<b>CONNECTICUT:</b>	
Orange 06477, 481 Boston Post Rd.	203-795-3583
Weathersfield (Hartford) 06109, 662 Silas Dean Hwy.	203-563-5800
<b>DISTRICT OF COLUMBIA: Washington</b>	
Colmar Manor 20722, 4153 Bladensburg Rd.	301-779-3808
Falls Church, VA 22046, 344 W. Broad St.	703-533-7313
<b>FLORIDA:</b>	
Ft. Lauderdale 33334, 799 E. Oakland Pk. Blvd.	305-566-5102
Ft. Myers 33907, 5224 Bank Street	813-278-1188
Jacksonville 32205, 920 Cassat Ave.	904-781-2253
Miami (North) 33168, 13345 N.W. Seventh Ave.	305-681-6658
Miami (South) 33156, 12233 So. Dixie Hwy.	305-232-9497
Orlando 32803, 3807 E. Colonial Dr.	407-894-7011
St. Petersburg 33709, 5635 49th St., N.	813-525-0273
Tampa 33609, 3432 W. Kennedy Blvd.	813-872-8317
West Palm Beach 33415, 310 South Military Trail	407-689-3247
<b>GEORGIA:</b>	
Atlanta (South) 30349, 5330 Old National Hwy.	404-762-8844
Smyrna 30080, 2550 Cobb Pkwy.	404-956-0869
Stone Mountain (Atlanta) 30086, 5723 Memorial Dr.	404-292-4714
<b>HAWAII:</b>	
Honolulu 96819, 330 Sand Island Access Road.	808-847-7447
<b>ILLINOIS:</b>	
Des Plaines (Chicago) 60018, 1277 South Elmhurst Rd.	708-364-5220
Linoonwood (Chicago) 60646, 6710 N. Crawford Ave.	708-673-0923
Lisle (West Chicago) 60532, 2950 Ogden Ave., Unit H	708-717-1075
Moline 61265, 4433 23rd Ave.	309-762-3000
Oak Lawn (Chicago) 60453, 6343 W. 95th St.	708-423-7212
Waukegan 60085, 39 S. Greenbay Rd.	708-249-4390
<b>INDIANA:</b>	
Evansville 47710, 307 First Ave., Crescent Cir.	812-425-4269
Hammond 46323, 7103 Kennedy Ave.	219-845-5100
Indianapolis 46224, 5999 Crawfordsville Rd.	317-243-8308
<b>IOWA:</b>	
Des Moines 50310, 3427 Merle Hay Rd.	515-270-1340
<b>KANSAS:</b>	
Wichita 67213, 155 S. West St.	316-943-1271
<b>KENTUCKY:</b>	
Louisville 40213, 5211 Preston Hwy.	502-968-7100
<b>LOUISIANA:</b>	
Baton Rouge 70815, 11859 Florida Blvd.	504-272-8111
Harvey 70058, 2500 Lapalco Blvd.	504-366-8676
Metairie (New Orleans) 70002, 3504 N. Causeway Blvd.	504-837-2550
Shreveport 71108, 7710-7714 Jewella Rd.	318-688-1553
<b>MARYLAND:</b>	
Baltimore (East) 21205, 4712 Erdman Ave.	410-485-5550
Baltimore (North) 21030, 29-31 Cranbrook Rd., Cockeysville	410-666-5966
Baltimore (South) 21122, 8220 Ritchie Hwy., Pasadena	410-647-8456
Colmar Manor 20722, 4153 Bladensburg Rd.	301-779-3808
<b>MASSACHUSETTS:</b>	
Brighton (Boston) 02135, 12 Market St.	617-782-6264
Seekonk 02771, 120 Highland Ave.	508-336-6510
<b>MICHIGAN:</b>	
Grand Rapids 49512, 3040 28th St., S.E.	616-949-8331
Lansing 48917, 3203 W. Saginaw Hwy.	517-323-4181
Warren 48093, 27035 Van Dyke Blvd.	313-756-6711
Westland (Detroit) 48185, 8067 North Wayne Rd.	313-427-1520
<b>MINNESOTA:</b>	
Bloomington (Minneapolis-St. Paul) 55420, 9517 Lyndale Ave., S.	612-884-9191
<b>MISSOURI:</b>	
Kansas City 64111, 4324 Main St.	816-531-0629
St. Ann (North St. Louis) 63074, 3637 North Lindbergh Blvd.	314-739-4661
St. Louis 63131, 12852 Manchester Rd.	314-821-8740
<b>NEBRASKA:</b>	
Omaha 68127, 4225 S. 84th St.	402-592-5666
<b>NEVADA:</b>	
Las Vegas 89104, 3411 East Charleston Blvd.	702-641-6555
<b>NEW JERSEY:</b>	
Cherry Hill 08034, 1444 E. Marlton Pike/Rte. 70	609-429-2822
Little Falls 07424, 1189 U.S. Highway 46	201-256-9373
Union (Scotch Plains) 07076, 2520 Route #22 East	908-233-5665
<b>NEW MEXICO:</b>	
Albuquerque 87110, 5617 Menaul Blvd., N.E.	505-884-1002
<b>NEW YORK:</b>	
Buffalo 14209, 881 W. Delavan Ave.	716-884-6220
Centerach L.I. 11720, 2061-63 Middle Country Rd.	516-737-4708
Elmhurst (New York) 11373, 77-20 Queens Blvd.	718-335-1042
Latham (Albany) 12110, 636 Troy-Schenectady Rd.	518-785-1867
Rochester 14623, 2969 W. Henrietta Rd.	716-424-1310
Syracuse 13214, 3485 Erie Blvd., East	315-446-3086
Westbury L.I. (New York) 11590, 1061 Old Country Rd.	516-997-6140
<b>NORTH CAROLINA:</b>	
Charlotte 28205, 3007 E. Independence Blvd.	704-374-1779
Greensboro 27407, 3716 High Point Rd.	910-852-1300
Raleigh 27604, 2930 Capital Blvd.	919-878-0357
<b>OHIO:</b>	
Cincinnati 45241, 2310 E. Sharon Rd.	513-772-3111
Columbus 43227, 3975 E. Livingston Ave.	614-237-0461
Dayton 45409, 2988 S. Dixie Dr.	513-298-1951
Mayfield Heights (East Cleveland) 44124, 5881 Mayfield Rd.	216-449-2770
<b>OKLAHOMA:</b>	
Oklahoma City 73106, 1318 Linwood Blvd.	405-232-7515
Tulsa 74145, 3120 S. Sheridan Rd.	918-622-5666
<b>OREGON:</b>	
Portland 97209, 1640 N.W. Johnson St.	503-228-8631
<b>PENNSYLVANIA:</b>	
Evans City 16033, 20808 Rt. 19 North	412-779-9600
Harrisburg 17112, 6080 Allentown Blvd.	717-545-0651
Lancaster 17601, 118 Keller Ave.	717-393-5251
Philadelphia 19103, 333 N. 20th St.	215-564-5520
Philadelphia (North) 19115, 9977-81 Busleton Ave.	215-484-7771
Pittsburgh 15232, 5437 Baum Blvd.	412-365-2700
Whitehall (Allentown) 18052, 2242 MacArthur Rd.	610-435-9544
Wilkes-Barre 18702, 759 Kidder Street	717-824-5704
<b>PUERTO RICO:</b>	
Puerto Nuevo	809-783-5535
<b>RHODE ISLAND:</b>	
See Seekonk, MA	
<b>SOUTH CAROLINA:</b>	
Greenville 29607, 1557 Laurens Rd.	803-232-3038
<b>TENNESSEE:</b>	
Chattanooga 37421, 6231 Perimeter Drive, Space E.	615-894-0921
Knoxville 37917, 4118 N. Broadway	615-688-0921
Memphis 38116, 1085 East Brooks Rd.	901-332-3444
Nashville 37211, 4811 Nolensville Rd.	615-833-8277
<b>TEXAS:</b>	
Amarillo 79106, 3008 West 6th Ave.	806-373-1531
Austin 78757, 6549 Burnet Rd.	512-459-1133
Dallas 75229, 2257 Royal Ln.	214-620-6655
El Paso 79915, 6822 Gateway East	915-778-9769
Fort Worth 76111, 721 North Beach St.	817-831-3828
Garland 75043, 718 W. Centerville Rd.	214-686-9302
Houston 77022, 536 E. Tidwell Rd.	713-692-7111
Houston (S.W.) 77025, 9319 Stella Link Blvd.	713-664-3666
San Antonio 78201, 500 Culebra Ave.	210-732-1221
Webster 77598, 100 East Nasa Rd. One	713-338-4556
<b>UTAH:</b>	
Salt Lake City 84115, 1541 S. Third West St.	801-486-5828
<b>VIRGINIA:</b>	
Falls Church 22046, 344 W. Broad St.	703-533-7313
Hampton 23666, 3416 W. Mercury Blvd.	804-826-9382
Norfolk 23513, 7631 Sewells Point Rd.	804-480-3333
Richmond 23222, 1424 Chamberlayne Ave.	804-649-9245
<b>WASHINGTON:</b>	
Seattle 98108, 421 S. Michigan St.	206-765-2010
Spokane 99208, N. 7011 Division St.	509-467-8190
Tacoma 98409, 2602 S. 38th St.	206-473-6040
<b>WEST VIRGINIA:</b>	
Charleston 25312, 1638 Sixth Ave.	304-343-0289
<b>WISCONSIN:</b>	
Milwaukee (Wauwatosa) 53226, 10424 West Bluemound Rd.	414-453-4240

**ALBERTA**

Edmonton T6E 6H6, 3845 99th St. .... 403-462-5005

**BRITISH COLUMBIA**

Vancouver V5M 3Y7, 1735 Boundary Rd. .... 604-291-9942

**MANITOBA**

Winnipeg R3H OK3, 934 St. James St. .... 204-783-7294

**NOVA SCOTIA**

Halifax B3K 2A4, 6100 Young Street. .... 902-453-5090

**ONTARIO**

Brockville K6V 5W6, 100 Central Ave. .... 613-342-6641  
Kanata K2L 1V3, 462 Hazeldean Rd #11. .... 613-831-2332

Glencairn Plaza

London N6E 3A9, 981 Wellington Rd #6. .... 519-649-2407  
Markham L3P 3J3, 9275 Hwy 48 Unit 12/13. .... 905-472-6168  
Mississauga L4X 1L3, 1480 Dundas St. E #7. .... 905-277-0011  
North York M3J 3G5, 48 Kodjak Cres. .... 416-635-6740

**QUEBEC**

Brossard J4W 1M6, 5840 Boul Taschereau. .... 514-462-4881  
Montreal H1Y 1B4, 3061 Belanger. .... 514-722-1021

**FOR ADDITIONAL SERVICE LOCATIONS  
CALL: 1-800-9-BD TOOL**



---

Black & Decker (U.S.) Inc. • 701 East Joppa Road, Towson, Maryland 21286  
Printed in U.S.A. (MAR95-CD-1) Form No. 159438 Copyright © 1995