

## Extension Cords

Tools that have 3 wire cords requiring grounding must only be used with extension cords that have 3-prong grounding type plugs and 3-pole receptacles. Only round jacketed extension cords should be used, and we recommend that they be listed by Underwriters Laboratories (U.L.) (C.S.A. in Canada). If the extension will be used outside, the cord must be suitable for outdoor use. The letters "WA" on the cord jacket indicate that it is suitable for outdoor use. Any cord marked as outdoor can also be used for indoor work.

An extension cord must have adequate wire size (AWG or American Wire Gauge) for safety, and to prevent loss of power and overheating. The smaller the gauge number of the wire, the greater the capacity of the cable, that is 16 gauge has more capacity than 18 gauge. When using more than one extension to make up the total length, be sure each individual extension contains at least the minimum wire size.

To determine the minimum wire size required, refer to the chart below:

NAMEPLATE RATING-AMPS	CHART FOR MINIMUM WIRE SIZE (AWG) OF EXTENSION CORDS							
	TOTAL EXTENSION CORD LENGTH- FEET							
	25	50	75	100	125	150	175	200
0 - 10.0	18	18	16	16	14	14	12	12
10.1 - 13.0	16	16	14	14	14	12	12	12
13.1 - 15.0	14	14	12	12	12	12	12	—

Before using an extension cord, inspect it for loose or exposed wires, damaged insulation, and defective fittings. Make any needed repairs or replace the cord if necessary. Black & Decker has extension cords available that are U.L. (C.S.A. in Canada) listed for outdoor use.

## Caution

To assure product SAFETY and RELIABILITY, repairs, maintenance (excluding brush inspection and replacement) and adjustment should be performed by BLACK & DECKER Service Centers or other qualified service organizations, always using BLACK & DECKER replacement parts.

## Warranty

Black & Decker (U.S.) Inc. warrants this product for one year from date of purchase. We will repair without charge, any defects due to faulty material or workmanship. Please return the complete unit, transportation prepaid, to any Black & Decker Service Center or Authorized Service Station listed under "Tools Electric" in the yellow pages. This warranty does not apply to accessories or damage caused where repairs have been made or attempted by others.

Like most Black & Decker tools, your tool is listed by Underwriter's Laboratories to ensure that it meets stringent safety requirements.

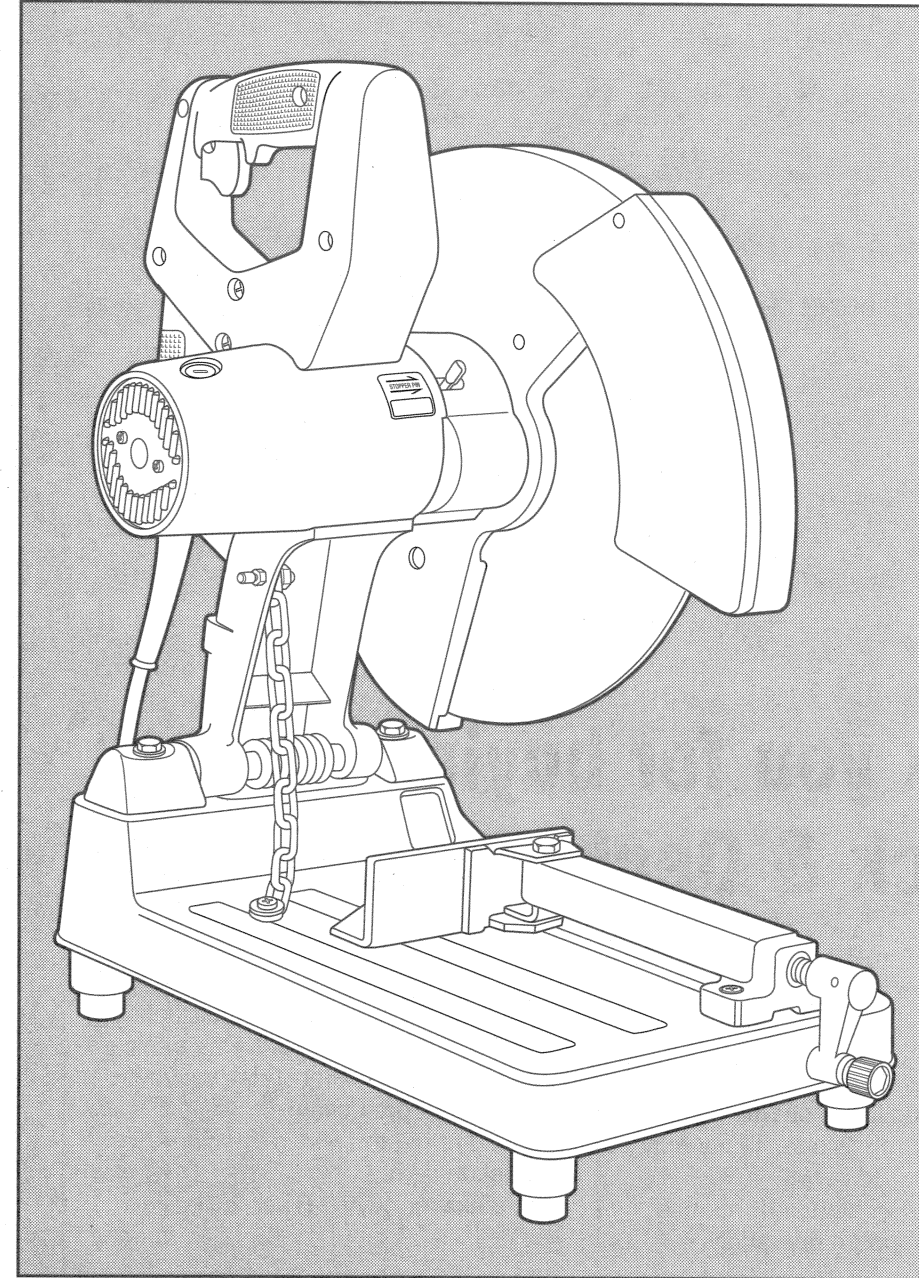


See 'Tools-Electric'  
—Yellow Pages—  
for Service & Sales



Distributed by  
BLACK & DECKER (U.S.) INC., U.S. Power Tools Group, 10 North Park Drive, P.O. Box 798, Hunt Valley, MD 21030-0798

Form No. 741805  
Product Made in Korea  
(JAN89) ©1989 Printed in Korea

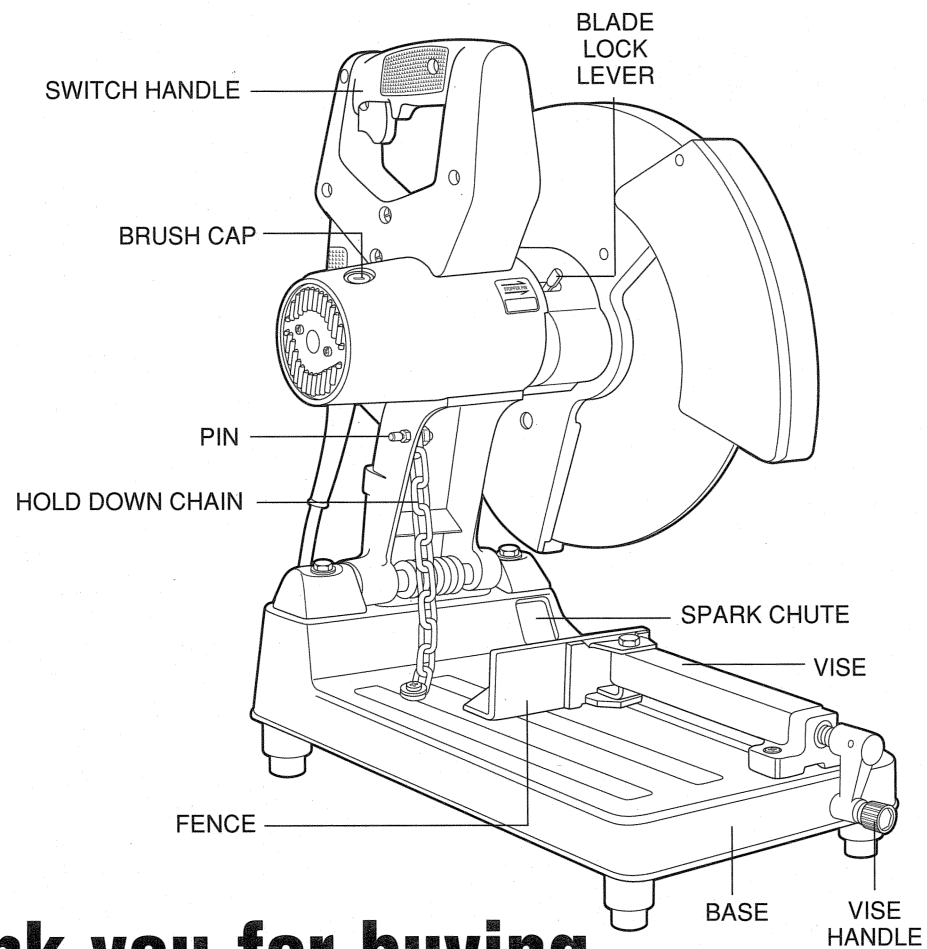


# Instruction Manual

## Heavy Duty Chop Saw

### 3935

### 6826



# Thank you for buying a Black & Decker Power Tool.

If you already own a Black & Decker Product, you know the pleasures a high quality, high performance product can deliver.

Your new Heavy Duty Chop Saw is engineered and built to meet the severe requirements of professional heavy-duty cutting.

It's a top-quality, high performance tool, with all the modern operating

features that you need to get your cutting jobs completed in minimum time.

Take a few minutes and thoroughly read this instruction manual. Pay particular attention to the safety rules we've provided for your protection.

Don't forget to send in the owner's registration card.

Thanks for buying Black & Decker.

## Maintenance of Tool

### Lubrication

Closed-type, grease-sealed ball bearings are used throughout. These bearings have sufficient lubrication packed in them at the factory to last the life of the bearing.

Gears should be relubricated every 60 to 90 days, depending upon use. This lubrication should only be attempted by experienced power tool repairmen like the mechanics at B&D Service Centers (see "TOOLS, ELECTRIC in Yellow Pages). The gear case should be wiped clean and 3/4 oz. (20 grams) of B&D Lubricant Part No. 790206 (6 oz. tube) will be placed in the gear case.

### Cleaning

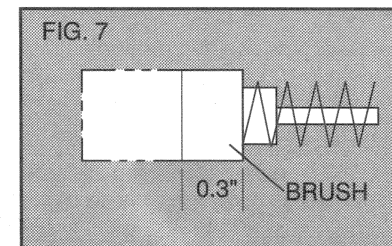
Blowing dust and grit out of the main housing by means of an air hose is recommended and may be done as often as dirt is seen collecting in and around the air vents.

### Motor Brushes

**Be sure tool is unplugged before inspecting brushes.**

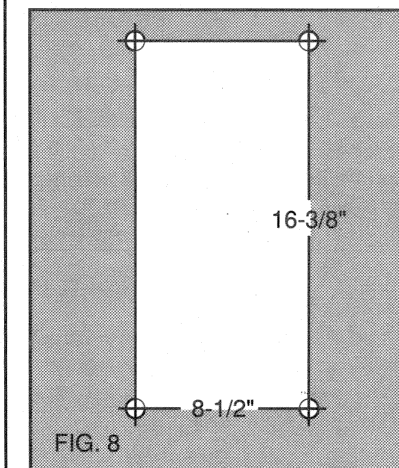
Brushes should be regularly inspected for wear. To inspect brushes, unscrew the plastic brush caps (located in the sides of the motor housing) and the spring and brush assemblies may be removed from the tool.

Keep brushes clean and sliding freely in their guides. If the brushes are worn down to 0.3" length, they must be replaced. New brush assemblies are available at Black & Decker Service Centers. See TOOLS, ELECTRIC in the Yellow Pages. See Fig. 7.



### Procedure For Permanent Mounting

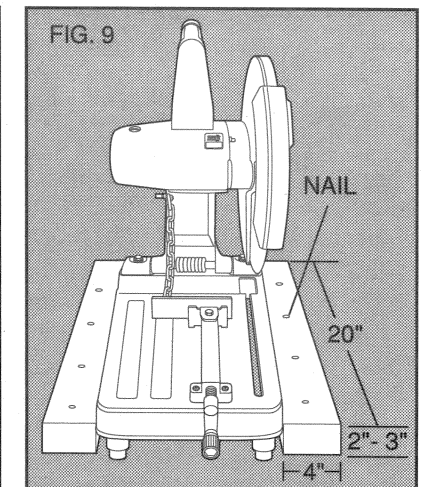
1. Drill four holes, 5/16" diameter minimum, through the work surface. (Fig. 8)
2. Remove screws from feet.



3. Insert 1/4-20 screws through underside of work surface, through feet, into holes in tool base. The proper screw length is equal to the thickness of the work surface plus 1 inch (example: 1-1/4" thick table, takes a 1/4-20 x 2 1/4" screw.)

### Cradle Mounting

1. Cut two boards 20" long x 2" - 3" high x 4" wide.
2. Place Chop Saw at desired work location.
3. Place boards tightly along side, and nail to work surface. (Fig. 9)



**ALWAYS WEAR SAFETY GLASSES.**

**SECURE WORK IN VISE.**

**DISCONNECT TOOL FROM POWER SUPPLY BEFORE CHANGING WHEEL.**



**WARNING:** Check the work surface that the chop saw rests on when replacing with a **new** abrasive wheel. It is possible that the wheel may contact the work surface (through the base) when the arm is fully lowered.

## To Adjust Vise Stop

### CUTTING ANGLE

Use the wrench to loosen the two hex bolts (Fig. 3) (Do not remove the bolts). The fence may be rotated in either direction. Securely tighten both the bolts before use.

### OPENING ADJUSTMENT

Remove both fence bolts. Move fence forward or backward to desired location. Install both bolts. Tighten both bolts.

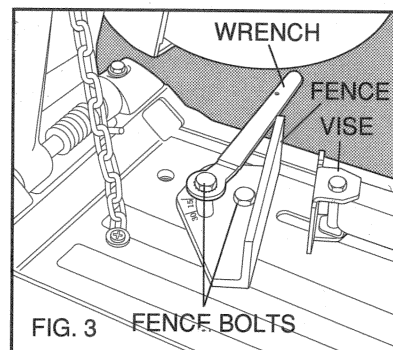


FIG. 3 FENCE BOLTS

## To Carry

Fold down unit to position where you can attach chain to pin on tool arm. (Fig. 4)

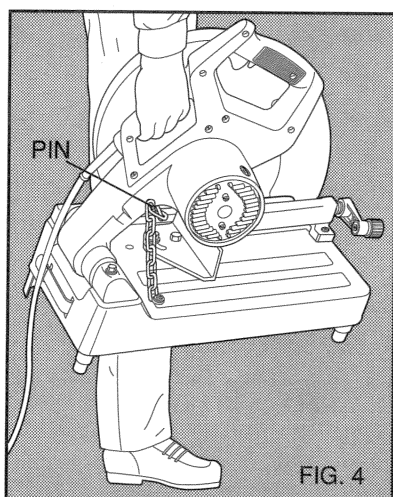
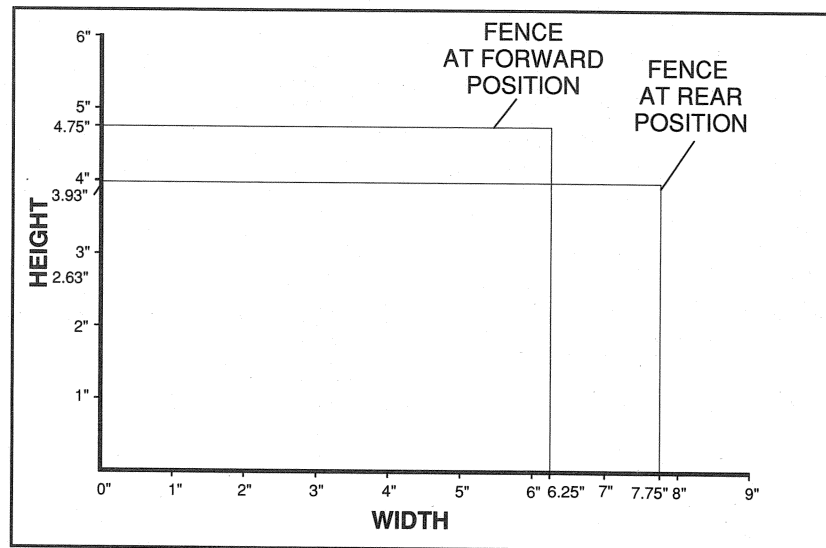


FIG. 4

## Cutting Capacity

The wide vise opening and high pivot point provide cutting capacity for many large pieces. Use this chart to determine total maximum size of cuts that can be made with a new wheel. Recommended applications are: metal studs, electrical conduit up to 4" diameter, bar stock and reinforcing bar up to 3/4" diameter.

**NOTE: CAPACITY SHOWN ON CHART BELOW ASSUMES NO WHEEL WEAR.**



Note that as cutting width increases, cutting height decreases.

**CAUTION: CERTAIN LARGE, CIRCULAR OR IRREGULARLY SHAPED OBJECTS MAY REQUIRE ADDITIONAL HOLDING MEANS.**

**CAUTION: DO NOT CUT MAGNESIUM WITH THIS TOOL.**

## Maximum Cutting Depth

To obtain maximum cutting depth, move the fence to the rear position. (See Fig. 5.)

**NOTE:** A new wheel, when pushed all the way down, will extend below the base and cut into the work surface.

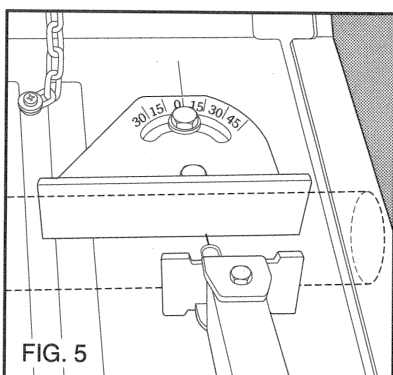


FIG. 5

## Degree Setting

Align the index line stamped in the base with the appropriate degree for the desired angle of cut. (See Fig. 6.) For very accurate cuts, use a protractor.

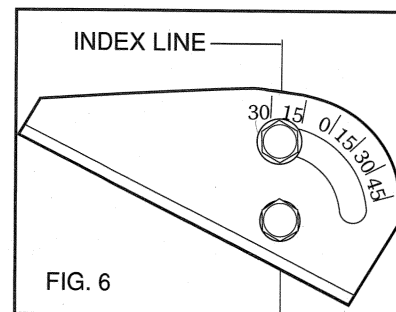


FIG. 6

## Important Safety Instructions

**WARNING:** When using Electric Tools, basic safety precautions should always be followed to reduce the risk of fire, shock, and personal injury, including the following:

### READ ALL INSTRUCTIONS

- KEEPS GUARDS IN PLACE** and in working order.
- REMOVE ADJUSTING KEYS AND WRENCHES.** Form habit of checking to see that keys and adjusting wrenches are removed from tool before turning it on.
- KEEP WORK AREA CLEAN.** Cluttered areas and benches invite accidents.
- DON'T USE IN DANGEROUS ENVIRONMENT.** Don't use power tools in damp or wet locations, or expose them to rain. Keep work area well lighted.
- KEEP CHILDREN AWAY.** All visitors should be kept at a safe distance from work area.
- MAKE WORKSHOP KID PROOF** with padlocks, master switches, or by removing starter keys.
- DON'T FORCE TOOL.** It will do the job better and be safer at the rate for which it was designed.
- USE RIGHT TOOL.** Don't force tool or attachment to do a job for which it was not designed.
- WEAR PROPER APPAREL.** No loose clothing, gloves, neckties, rings, bracelets, or other jewelry to get caught in moving parts. Nonslip footwear is recommended. Wear protective hair covering to contain long hair.
- ALWAYS WEAR SAFETY GLASSES.** Also use face or dust mask if cutting operation is dusty. Everyday eyeglasses have only impact resistant lenses. They are **NOT** safety glasses.
- SECURE WORK.** Use clamps or vise to hold work when practical. It's safer than using your hand and it frees both hands to operate tool.
- DON'T OVERREACH.** Keep proper footing and balance at all times.
- MAINTAIN TOOLS WITH CARE.** Keep tools sharp and clean for best and safest performance. Follow instructions for lubricating and changing accessories.
- DISCONNECT TOOLS** before servicing; when changing accessories such as blades, bits, cutters, etc.
- REDUCE THE RISK OF UNINTENTIONAL STARTING.** Make sure switch is in OFF position before plugging in.
- USE RECOMMENDED ACCESSORIES.** Consult the instruction manual for recommended accessories. The use of improper accessories may cause risk of injury to persons.
- NEVER STAND ON TOOL.** Serious injury could occur if the tool is tipped or if the cutting tool is unintentionally contacted.
- CHECK DAMAGED PARTS.** Before further use of the tool, a guard or other part that is damaged should be carefully checked to determine that it will operate properly and perform its intended function—check for alignment of moving parts, binding of moving parts, breakage of parts, mounting and any other conditions that may affect its operation. A guard or other part that is damaged should be properly repaired or replaced.
- DIRECTION OF FEED.** Feed work into a blade or cutter against the direction of rotation of the blade or cutter only.
- NEVER LEAVE TOOL RUNNING UNATTENDED. TURN POWER OFF.** Don't leave tool until it comes to a complete stop.
- DO NOT OPERATE ELECTRIC TOOLS NEAR FLAMMABLE LIQUIDS OR IN GASEOUS OR EXPLOSIVE ATMOSPHERES.** Motors in these tools may spark and ignite fumes.

**SAVE THESE INSTRUCTIONS**

## Safety Instructions For Chop Saws

1. Always wear safety goggles or other eye protection when using this tool.
2. Do not remove or loosen chain. Check that the chain is always tightly secured to the base and arm.
3. Before using, inspect each cutting wheel for cracks or flaws. If a crack or flaw is evident—discard the wheel! The wheel should also be inspected whenever you think the tool may have been dropped.
4. When starting the tool (with a new or replacement wheel installed) hold the tool in a well protected area. If the wheel has an undetected crack or flaw, it should burst in less than one minute. Never start the tool with a person in line with the wheel. This includes the operator.
5. In operation, avoid bouncing the wheel or giving it rough treatment. If this occurs, stop the tool and inspect the wheel.
6. Clean your Chop Saw periodically following the procedure in the maintenance section.
7. Do not remove wheel guard.
8. Use the Vise to clamp work.
9. Use only wheels rated at 4100 rpm or higher.
10. Allow cut off parts to cool before handling.
11. Do not attempt to cut wood or masonry with this tool.
12. Recommended accessories for this tool are listed in this manual and in BLACK & DECKER catalogs. The use of any other accessory may be hazardous.
13. **NEVER USE MAGNESIUM WITH THIS TOOL.**
14. Use Chop Saw in a well-ventilated area.
15. Turn Chop Saw off before removing any pieces from the table.
16. **NEVER USE A CIRCULAR SAW BLADE IN THIS CHOP SAW.**

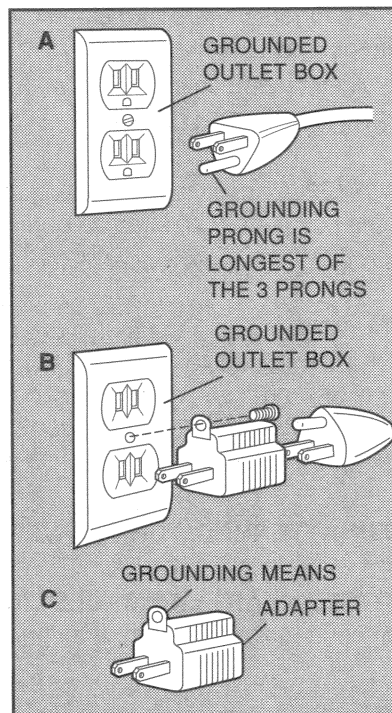
## SAVE THESE INSTRUCTIONS

### Grounding

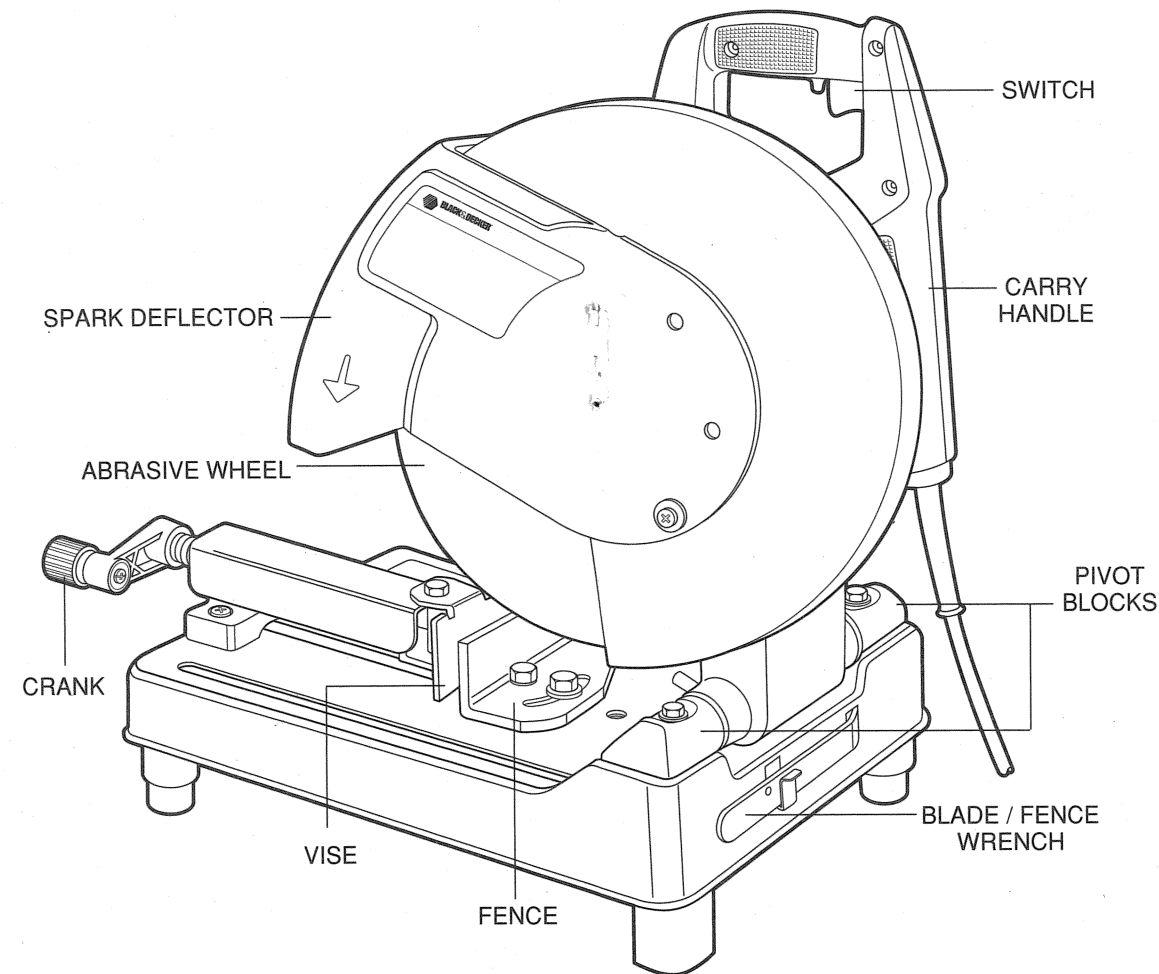
In the event of a malfunction or breakdown, grounding provides a path of least resistance for electric current to reduce the risk of electric shock. This tool is equipped with an electric cord having an equipment grounding conductor and a grounding plug. The plug must be plugged into a matching outlet that is properly installed and grounded in accordance with all local codes and ordinances.

Do not modify the plug provided - if it will not fit the outlet, have the proper outlet installed by a qualified electrician.

This tool is intended for use on a circuit that has an outlet like the one illustrated in sketch A. The tool has a grounding plug that looks like the plug illustrated in sketch A.



A temporary adapter, which looks like the adapter illustrated in sketches B and C, may be used to



connect this plug to a 2-pole receptacle as shown in sketch B if a properly grounded outlet is not available. The temporary adapter should be used only until a properly grounded outlet can be installed by a qualified electrician. The green-colored rigid ear lug, and the like, extending from the adapter must be connected to a permanent ground such as a properly grounded outlet box. ADAPTER SHOWN IN FIGURES B & C IS NOT FOR USE IN CANADA.

### 120 Volt Operation

Be sure your power supply agrees with the nameplate marking. 120 Volts, "60Hz" means alternating current (normal 120 volt, 60 Hz house current).

A voltage decrease of more than 10% will cause a loss of power and overheating.

## SAVE THESE INSTRUCTIONS

### Switch

To start the tool, depress the trigger switch shown in Figure 1. To turn the tool off, release the switch.

### Features and Benefits

- AC/DC permits use with a DC power source such as a welder.
- Switch handle is human engineered for maximum convenience when the saw is used on a bench, or on the floor.
- Lightweight, sure-grip carrying handle, and fold-down design combine to make it easy to carry the machine from job to job.
- Rugged steel base with rubber padded feet provide durability and vibration-free operation for stable cutting.
- Pivoting fence for convenience and accuracy in making miter cuts. Right position graduations for 0°, 15°, 30° and 45°. Left position graduations for 0°, 15° and 30°.

- Blade spindle lock simplifies and speeds blade changing.
- Blade/Fence wrench is conveniently stored in holder at rear of base.
- Spark shield over vise threads.
- Tough steel wheel guard protects operator from the wheel. Spark guard in base minimizes escaping sparks and protects surroundings.
- Heavy duty brush system extends brush life.
- High efficiency cooling fan and improved housing design assure high airflow for cooler operation and long life.
- 8' rubber power supply cord with separable cord protector is convenient and simplifies servicing.
- 100% ball and roller bearing construction for longer tool life.

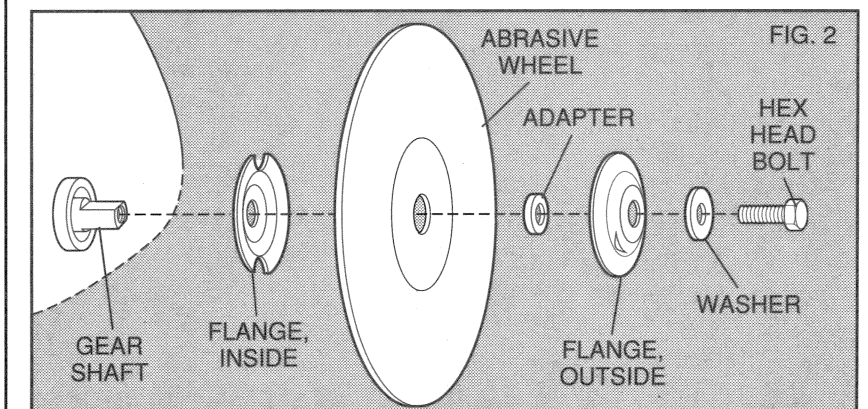
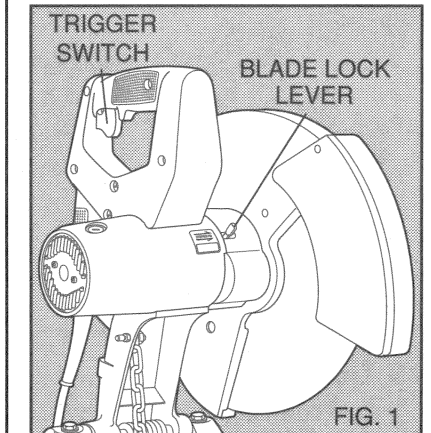
## Removal and Installation of Wheels

1. Be sure tool is disconnected from power supply.
2. Push in blade lock lever (Fig. 1) and rotate wheel by hand until blade lock lever engages slot in inside flange to lock wheel. Loosen the hex head bolt in the center of the abrasive wheel with the wrench provided at rear of base. Bolt has right hand thread.
3. Remove the bolt, washer, outside flange, adapter, and old wheel. (Fig. 2)
4. Install the new abrasive wheel by reversing the above steps. Make sure adapter is on gear shaft and centered in wheel.
5. Do not overtighten bolt.

## Standard Equipment

QUANTITY	DESCRIPTION
1	40278 METAL CUTTING ABRASIVE WHEEL (ALUMINUM OXIDE)
1	BLADE/FENCE WRENCH

Use high strength organic bonded wheels only.



DO NOT MAKE ANY ADJUSTMENT WHILE WHEEL IS IN MOTION. DO NOT MAKE ANY ADJUSTMENT WHILE CHOP SAW IS PLUGGED INTO POWER SUPPLY.