

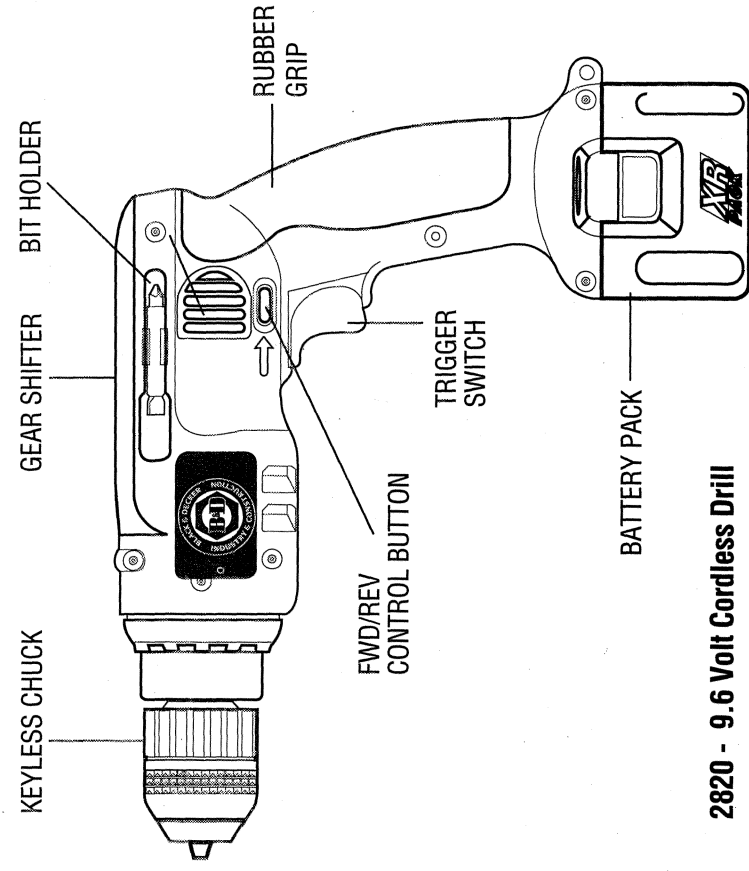
G Clone™
Series

Instruction Manual
2820
Cordless Drill

Getting the most out of your tool.

Please take time to read this manual and pay particular attention to the safety rules we've provided for your protection. If you have any questions about your tool please call:

1-800-9-BD TOOL
(1-800-923-8665)



2820 - 9.6 Volt Cordless Drill

IMPORTANT SAFETY INSTRUCTIONS

WARNING: When using electric tools, basic safety precautions should always be followed to reduce risk of fire, electric shock, and personal injury, including the following:

READ ALL INSTRUCTIONS

- **KEEP WORK AREA CLEAN.** Cluttered areas and benches invite injuries
- **CONSIDER WORK AREA ENVIRONMENT.** Don't expose power tools to rain. Don't use power tools in damp or wet locations. Keep work area well lit.
- **KEEP CHILDREN AWAY.** All visitors should be kept away from work area. Do not let visitors contact tool.
- **STORE IDLE TOOLS.** When not in use, tools should be stored in dry, and high or locked-up place – out of reach of children.
- **DON'T FORCE TOOL.** It will do the job better and safer at the rate for which it was intended.
- **USE RIGHT TOOL.** Don't force small tool or attachment to do the job of a heavy-duty tool. Don't use tool for purpose not intended, for example, don't use circular saw for cutting tree limbs or logs.
- **DRESS PROPERLY.** Do not wear loose clothing or jewelry. They can be caught in moving parts. Non-skid footwear is recommended when working outdoors. Wear protective hair covering to contain long hair.
- **USE SAFETY GLASSES.** Also use face or dustmask if operation is dusty.
- **SECURE WORK.** Use clamps or a vise to hold work. It's safer than using your hand and it frees both hands to operate tool.
- **DON'T OVERREACH.** Keep proper footing and balance at all times.
- **MAINTAIN TOOLS WITH CARE.** Keep tools sharp and clean for better and safe performance. Follow instructions for lubricating and changing accessories. Keep handles dry, clean, and free from oil and grease.
- **LOCK OFF TOOL** when not in use, before servicing, and when changing accessories.

- **REMOVE ADJUSTING KEYS AND WRENCHES.** Form habit of checking to see that keys and adjusting wrenches are removed from tool before turning it on.
- **AVOID UNINTENTIONAL STARTING.** Don't carry tool with finger on switch.
- **STAY ALERT.** Watch what you are doing. Use common sense. Do not operate tool when you are tired.
- **CHECK DAMAGED PARTS.** Have defective switches replaced by authorized service center. Do not use tool if switch does not turn it on and off.
- **DO NOT OPERATE** portable electric tools near flammable liquids or in gaseous or explosive atmospheres. Motors in these tools normally spark, and the sparks might ignite fumes.
- **BE AWARE** that this tool is always in an operating condition because it does not have to be plugged into an electrical outlet. Keep the switch control lever in the lock OFF position, as shown in Figure 4, when you are not using the tool.
- **CAUTION:** When drilling or driving into walls, floors or wherever "live" electrical wires may be encountered, **DO NOT TOUCH ANY FRONT METAL PARTS OF THE TOOL!** Hold the tool only by the plastic handle to prevent shock if you drill or drive into a "live" wire.

SAVE THESE INSTRUCTIONS FOR FUTURE USE.

Safety Instructions for Battery Chargers

This manual contains important safety and operating instructions

- Before using charger, read all instructions and cautionary markings on (1) charger, (2) battery pack, and (3) product using battery pack.
- **DANGER:** 120 volts present at charging terminals. Do not probe with conductive objects. Danger of electric shock or electrocution.
- **DANGER:** If battery pack case is cracked or damaged, do not insert into charger. Danger of electric shock or electrocution.
- The charger and battery pack are specifically designed to work together. **DO NOT** attempt to charge the battery pack with any chargers other than the ones in this manual.
- Do not expose charger to rain or snow.
- These chargers are not intended for any uses other than charging Univolt™ or Cyclone Series™ rechargeable batteries. Any other uses may result in risk of fire, electric shock or electrocution.
- To reduce risk of damage to electric plug and cord, pull by plug rather than cord when disconnecting charger.
- Make sure cord is located so that it will not be stepped on, tripped over, or otherwise subjected to damage or stress.
- An extension cord should not be used unless absolutely necessary. Use of improper extension cord could result in risk of fire, electric shock, or electrocution.
- Two wire cords can be used with 2 or 3 wire extension cords. Only round jacketed extension cords should be used, and we recommend that they be listed by Underwriters Laboratories (U.L.) (C.S.A. in Canada.) The letters WA on the cord jacket indicate that the cord is suitable for outdoor use.
- An extension cord must have adequate wire size (AWG or American Wire Gauge) for safety. The smaller the gauge number of the wire, the greater the capacity of the cable, that is 16 gauge has more capacity than 18 gauge. When using more than one extension to make up the total length, be sure each individual extension contains at least the minimum wire size.

CHART FOR MINIMUM WIRE SIZE (AWG) OF EXTENSION CORDS

NAMEPLATE RATING AMPS - 0 - 10.0						
Total Extension Cord Length (feet)						
25	50	75	100	125	150	175
Wire Gauge						
18	18	16	16	14	14	12

- The charger is ventilated through slots in the housing. Do not place any object on top of the charger or place the charger on a soft surface that might block the ventilation slots and result in excessive internal heat. Place the charger in a position away from any heat source.
- Do not operate charger with damaged cord or plug — have them replaced immediately.
- Do not operate charger if it has received a sharp blow, been dropped, or otherwise damaged in any way; take it to an authorized B&D service center.
- Do not disassemble charger; take it to an authorized B&D service center when service or repair is required. Incorrect reassembly may result in a risk of electric shock, electrocution or fire.
- To reduce risk of electric shock, unplug charger from outlet before attempting any cleaning. Removing the battery pack will not reduce this risk.
- NEVER attempt to connect 2 chargers together.
- DO NOT store or use the tool and battery pack in locations where the temperature may reach or exceed 105°F (such as outside sheds or metal buildings in summer).
- The charger is designed to operate on standard household electrical power (120 volts). Do not attempt to use it on any other voltage!

Safety Instructions For Battery Packs

The batteries in your new battery pack are not fully charged out of the carton! First read the safety instructions below. Then follow charging notes and procedures.

READ ALL INSTRUCTIONS

- Do not incinerate the battery pack even if it is severely damaged or is completely worn out. The battery pack can explode in a fire.
- A small leakage of liquid from the battery pack cells may occur under extreme usage or temperature conditions. This does not indicate a failure. However, if the outer seal is broken and this leakage gets on your skin:
 - a. Wash quickly with soap and water.
 - b. Neutralize with a mild acid such as lemon juice or vinegar.
 - c. If battery liquid gets into your eyes, flush them with clean water for a minimum of 10 minutes and seek immediate medical attention. (Medical note: The liquid is 25-35% solution of potassium hydroxide.)
- Never attempt to open the battery pack for any reason. If the plastic housing of the battery pack breaks or cracks, immediately discontinue use and do not recharge.
- Do not carry extra battery packs in aprons, pockets, or tool boxes along with other metal objects. Battery pack could be short circuited causing damage to the battery pack and possibly causing severe burn or fire.
- Charge the battery packs only in Univolt™ or Cyclone Series™ chargers.
- **NOTE:** Review and observe all of the “Important Charging Notes” in the charger instruction section of this manual.
- **NOTE:** After several years of normal use, the batteries in your battery pack will no longer accept a charge. This is a normal occurrence and signifies that the batteries have reached the end of their useful life. Replacement battery packs are available at extra cost from your local B&D service center. Your battery pack contains nickel cadmium batteries. The Environmental Protection Agency considers cadmium to be toxic material that can do severe damage to the environment. Check with your state Environmental Protection agency to find out how to properly recycle or dispose of cadmium, or you can turn in expired battery packs to your local B&D service center for proper recycling or disposal.

Battery Packs

Your tool uses a 9.6 volt battery pack. When ordering replacement battery packs, be sure to include catalog number and voltage (9.6 volt - 2820). XR PACK™ extended run-time battery packs deliver 25% more run-time than standard battery packs.

Battery Chargers (98014, 97014 & 98020)

Your battery can be charged in the **98014**, **97014** (1 hour chargers) or the **98020** (15 minute charger). Be sure to read all safety instructions before using your charger.

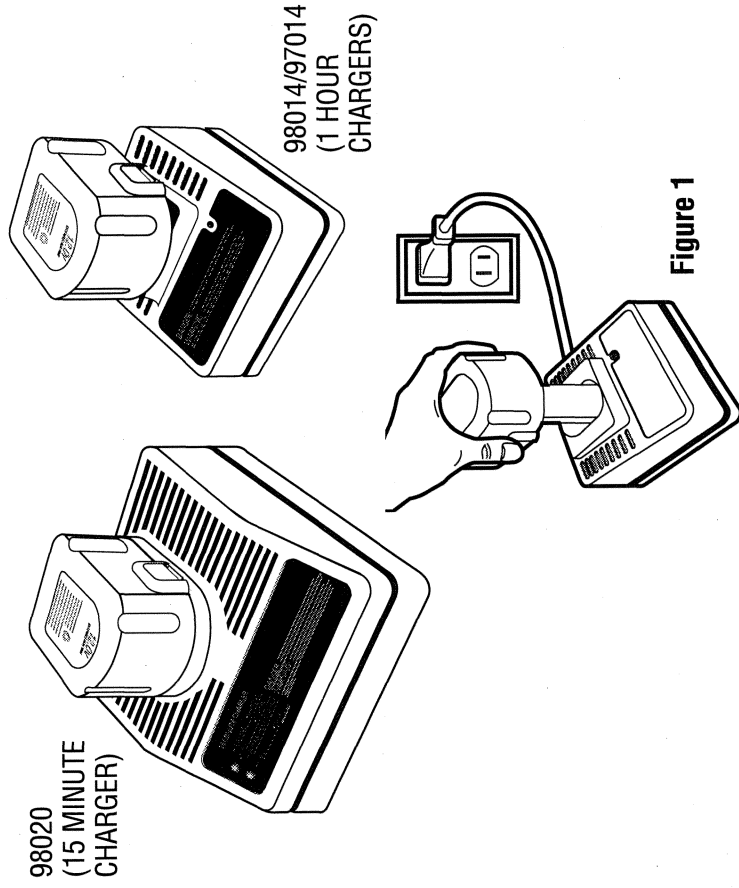


Figure 1

Charging Procedure

The 98014 and 97014 chargers are designed to charge battery packs in about 1 hour. The 98020 charger is designed to charge battery packs in about 15 minutes.

These chargers require no adjustment and are designed to be as easy as possible to operate. Simply place your battery pack into the receptacle of a plugged in charger, as shown in Figure 1, and it will automatically charge the pack.

98014/97014 (1 Hour Chargers)

1. Plug the charger into an appropriate AC power outlet.
2. Insert the battery pack into the charger, as shown in Figure 1, making sure the pack is fully seated in the charger. The red (charging) light will blink continuously indicating that the charging process has started.
3. The battery pack will be fully charged in about 1 hour under most conditions. The completion of charge will be indicated by the red light remaining ON continuously. The pack is fully charged and may be used at this time or left in the charger.

98020 (15 Minute Charger)

1. Plug the charger into an appropriate AC power outlet. The charger will beep twice and the red light will blink and then go off.
2. Insert the battery pack into the charger, as shown in Figure 1, making sure the pack is fully seated in the charger. The red light will blink and the charger will beep once indicating the charging process has started.
3. The battery pack will be fully charged in less than 15 minutes under most conditions. This will be indicated by the red light remaining ON and 3 audible beeps. The pack is fully charged and may be used at this time or left in the charger.

Leaving the battery pack in the charger

When the red light remains ON, the charger has switched to its "equalize charge" mode which lasts approximately 4 hours, after which the charger will switch to "maintenance charge" mode. The battery pack can be removed at any time during these charge cycles, but will only be fully charged if the red light is continuously ON. The charger and battery pack can be left connected with the red light glowing indefinitely. The charger will keep the battery pack fresh and fully charged.

NOTE: A battery pack will slowly lose its charge when kept out of the charger. If the battery pack has not been kept on maintenance charge, it may need to be recharged before use. A battery pack may also slowly lose its charge if left in a charger that is not plugged into an appropriate AC source.

Trouble Indicators

These chargers are designed to detect certain problems that can arise with battery packs which would be indicated by the red light flashing at a fast rate and continuous beeping. If this occurs, reinsert battery pack. If problem persists, try a different battery pack to determine if the charger is OK. If the new pack charges correctly, then the original pack is defective and should be returned to a service center for recycling. If the new battery pack elicits the same trouble indication as the original pack, have the charger tested at an authorized service center.

Weak Battery Packs (98020) only

The charger can also detect a weak battery. Such batteries are still usable but should not be expected to perform as much work. In such cases, about 10 seconds after battery insertion, the charger will beep rapidly 8 times to indicate a weak battery condition. The charger will then go on to charge the battery to the highest capacity possible.

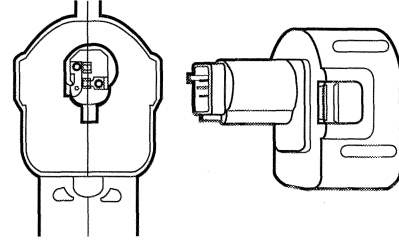


Figure 2

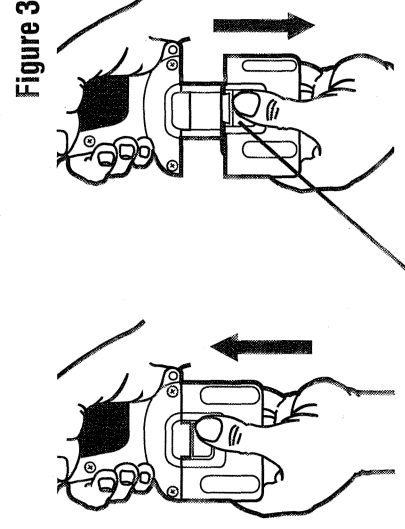


Figure 3

RELEASE BUTTON

Removing and Installing the Battery Pack

NOTE: Your battery pack will not be fully charged out of the carton.

To install the battery pack into the tool handle, align the base of the tool with the notch inside the tool's handle (Figure 2) and slide the battery pack firmly into the handle until you hear the lock snap into place. **To remove the battery pack from the tool,** press the release buttons, as shown in Figure 3, and firmly pull the battery pack out of the tool handle. Insert it into the charger as described in the charger section of this instruction manual.

Important Charging Notes

1. Longest life and best performance can be obtained if the battery pack is charged when the air temperature is between 65°F and 75°F (18°C to 24°C). DO NOT charge the battery pack in an air temperature below +40°F (+4.5°C), or above +105°F (+40.5°C). This is important and will prevent serious damage to the battery pack.
2. The charger and battery pack may become warm to touch while charging. This is a normal condition, and does not indicate a problem.

3. (98020 Only) This charger has an internal temperature limit that, when exceeded, will temporarily stop the full charge current. This is indicated by the yellow light being ON. The normal charge cycle will resume when the temperature falls below the preset limit and will be indicated by the yellow light turning OFF. The charge time may be extended beyond the normal 15 minutes. Use the charger in normal room temperatures whenever possible. To prevent overheating, do not cover the charger and do not charge battery packs in direct sunlight or near heat sources.
4. If the battery pack does not charge properly — (1) Check current at receptacle by plugging in a lamp or other appliance, (2) Check to see if receptacle is connected to a light switch which turns power off when you turn out the lights. (3) Move charger and battery pack to a location where the surrounding air temperature is approximately 65°F - 75°F (18° - 24°C). (4) If charging problems persist, take or send the tool, battery pack and charger to your local service center.
5. The battery pack should be recharged when it fails to produce sufficient power on jobs which were easily done previously. DO NOT CONTINUE to use under these conditions. Follow the charging procedure. You may also charge a partially used pack whenever you desire with no adverse affect on the battery pack.
6. Under certain conditions, with the charger plugged in to the power supply, the exposed charging contacts inside the charger can be shorted by foreign material. Foreign materials of a conductive nature such as, but not limited to, steel wool, aluminum foil, or any buildup of metallic particles should be kept away from charger cavities. Always unplug the charger from the power supply when there is no battery pack in the cavity. Unplug charger before attempting to clean.
7. Do not freeze or immerse charger in water or any other liquid.
WARNING: Don't allow any liquid to get inside charger. Electric shock may result.

8. To facilitate the cooling of the battery pack after use, avoid placing the charger or battery pack in a warm environment such as in a metal shed, or an uninsulated trailer.

CAUTION: Never attempt to open the battery pack for any reason. If the plastic housing of the battery pack breaks or cracks, return to a service center for recycling.

Important!

This product is not user servicable. There are no user servicable parts inside the charger. Servicing at an authorized service center is required to avoid damage to static sensitive internal components.

READ ALL OF THE INSTRUCTIONS IN THE BATTERY CHARGER SECTION OF THIS MANUAL BEFORE ATTEMPTING TO CHARGE THE BATTERY PACK FOR YOUR TOOL.

Always use correct battery pack (pack supplied with tool or replacement pack exactly like it.) Never install any other battery pack. It will ruin your tool and may create a hazardous condition.

Switch

To turn the tool ON, squeeze the trigger switch. To turn the tool OFF, release the trigger switch. Your tool is equipped with a brake. The chuck will stop as soon as the trigger switch is fully released. A variable speed switch enables you to select the best speed for a particular application. The farther you squeeze the trigger, the faster the tool will operate. Use lower speeds for starting holes without a centerpunch, drilling in metals or plastics, driving screws and drilling ceramics, or in any application requiring high torque. Higher speeds are better for drilling in wood, wood compositions and for using abrasive and polishing accessories. For maximum tool life, use variable speed only for starting holes or fasteners.

NOTE: Continuous use in variable speed range is not recommended. It may damage the switch and should be avoided.

Forward/Reverse Control Button

A forward/reverse control button determines the direction of the tool and also serves as a "lock off" button.

To select forward rotation, release the trigger switch and depress the forward/reverse control button on the right side of the tool, as shown in Figure 4. To select reverse, depress the forward/reverse control button on the left side of the tool.

The center position of the control button locks the tool in the OFF position. When changing the position of the forward/reverse control button, be sure the trigger is released.

NOTE: The first time the tool is run after changing the direction of rotation, you may hear a click on start up. This is normal and does not indicate a problem.

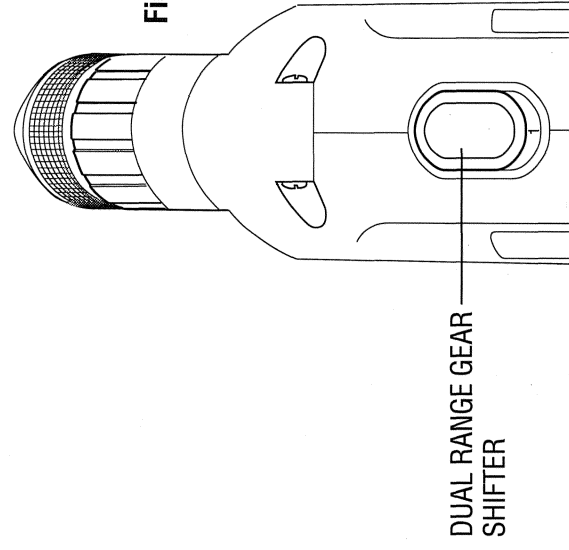
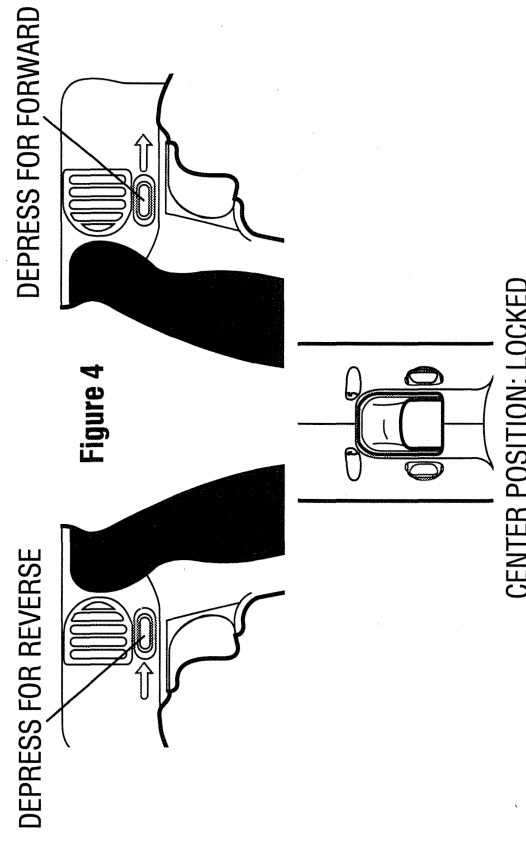
Dual Range Gearing

The dual range feature of your drill allows you to shift gears for greater versatility. To select the low speed, high torque setting (position 1), turn the tool off and permit to stop. Push the button forward towards the chuck, as shown in Figure 5. To select the high speed, low torque setting (position 2), turn the tool off and permit to stop. Slide the gear shifter back (away from chuck).

NOTE: Do not change gears when the tool is running.

Troubleshooting Tip!

If you are having trouble changing gears, make sure that the dual range gear shifter is either completely pushed forward or completely pushed back.



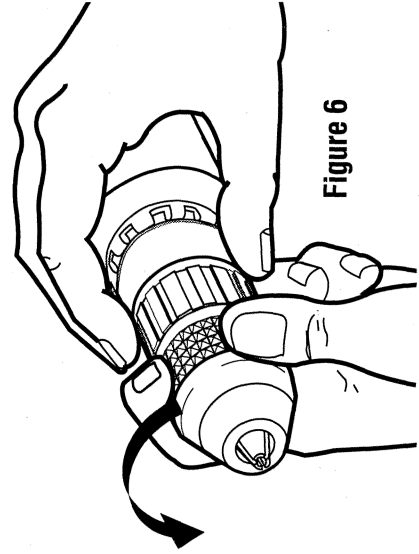


Figure 6

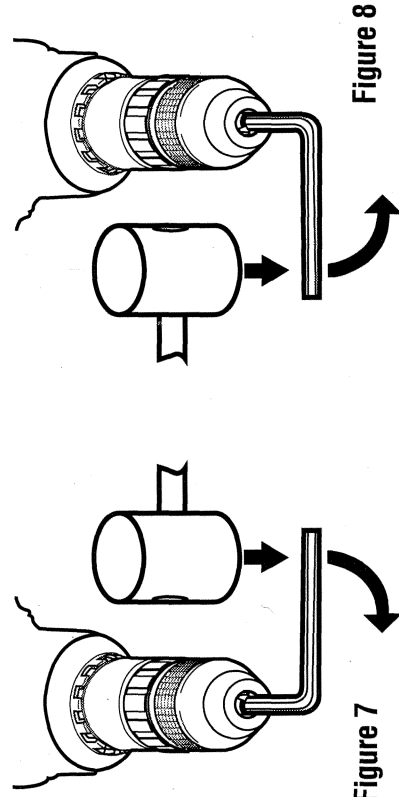


Figure 7

Figure 8

Keyless Chuck

Your tool features a keyless chuck for greater convenience. To insert a drill bit or other accessory, follow the steps listed below.

1. Lock the trigger switch in the OFF position.
2. Grasp the rear half of the chuck with one hand and use your other hand to rotate the front half counterclockwise, as shown in Figure 6. Rotate far enough so that the chuck opens sufficiently to accept the desired accessory.
3. Insert the bit or other accessory about 3/4" into the chuck and tighten securely by holding the rear half of the chuck and rotating the front portion in the clockwise direction.

To release the accessory, repeat step 2 listed above.

WARNING: Do not attempt to tighten drill bits (or any other accessory) by gripping the front part of the chuck and turning the tool on. Damage to the chuck and personal injury may result. Always lock off trigger switch when changing accessories.

Chuck Removal

ALWAYS WEAR EYE PROTECTION.

Lock off the tool and set to the low speed- gear shifter position 1. Tighten the chuck around the shorter end of a hex key (not supplied) of 1/4" or greater size. Using a wooden mallet or similar object, strike the longer end in the clockwise direction, as shown in Figure 7. This will loosen the screw inside the chuck. Open chuck jaws fully, insert screwdriver (or Torx tool if required) into front of chuck between jaws to engage screw head. Remove screw by turning clockwise (left-hand-thread). Place hex key in chuck and tighten, as shown in Figure 8. Using a wooden mallet or similar object, strike key sharply in the counterclockwise direction. This will loosen the chuck so that it can be unscrewed by hand.

Chuck Installation

Lock off the tool. Screw the chuck on by hand as far as it will go. Tighten the chuck around the shorter end of a 1/4" or larger hex key (not supplied) strike the longer end in the clockwise direction with a wooden mallet, as shown in Figure 7. Insert and tighten the screw by turning in a counterclockwise direction.

Operation

Install and tighten the desired drill bit in the chuck. Select the desired speed/torque range using the dual range gear shifter to match the speed and torque to the planned operation.

Follow these instructions for best results when drilling.

DRILLING

1. Use sharp drill bits only. For WOOD, use twist drill bits, spade bits, power auger bits, or hole saws. For METAL, use high speed steel twist drill bits or hole saws. For MASONRY, such as brick, cement, cinder block, etc., use carbide-tipped bits.
2. Be sure the material to be drilled is anchored or clamped firmly. If drilling thin material, use a "back-up" block to prevent damage to the material.
3. Always apply pressure in a straight line with the bit. Use enough pressure to keep the drill bit biting, but do not push hard enough to stall the motor or deflect the bit.
4. Hold tool firmly to control the twisting action of the drill.
5. IF DRILL STALLS, it is usually because it is being overloaded. RELEASE TRIGGER IMMEDIATELY, remove drill bit from work, and determine cause of stalling. DO NOT CLICK TRIGGER OFF AND ON IN AN ATTEMPT TO START A STALLED DRILL – THIS CAN DAMAGE THE DRILL.

6. To minimize stalling on breaking through the material, reduce pressure on drill and ease the bit through the last fractional part of the hole.
7. Keep the motor running when pulling the bit back out of a drilled hole. This will help prevent jamming.

8. With variable speed drills there is no need to center punch the point to be drilled. Use a slow speed to start the hole and accelerate by squeezing the trigger harder when the hole is deep enough to drill without the bit skipping out. Operate at full on after starting the bit.

Drilling in Wood

Holes in wood can be made with the same twist drills used for metal. These bits may overheat unless pulled out frequently to clear chips from the flutes. For larger holes, use power drill wood bits. Work that is apt to splinter should be backed up with a block of wood.

Drilling in Metal

Use a cutting lubricant when drilling metals. The exceptions are cast iron and brass which should be drilled dry. The cutting lubricants that work best are sulphurized cutting oil or lard oil; bacon grease will also serve the purpose.

Drilling in Masonry

Use carbide tipped masonry bits at low speeds. Keep even force on the drill but not so much that you crack the brittle materials. A smooth, even flow of dust indicates the proper drilling rate.

Maintenance

CLEANING: With the motor running, blow dirt and dust out of all air vents with dry air at least once a week. Wear safety glasses when performing this. Exterior plastic parts may be cleaned with a damp cloth and mild detergent. Although these parts are highly solvent resistant, NEVER use solvents.

Charger Cleaning Instructions:

WARNING: Disconnect the charger from the AC outlet before cleaning. Dirt and grease may be removed from the exterior of the charger using a cloth or soft non-metallic brush. Do not use water or any cleaning solutions.

Accessories

Recommended accessories for use with your tool are available at extra cost from your distributor or your local service center. Service centers are listed in back of manual.

CAUTION: The use of any non-recommended accessory may be hazardous. If you need any assistance in locating any accessory, call 1-800-9-BD TOOL (1-800-923-8665) or contact Black & Decker, Consumer Services Department, 626 Hanover Pike, P.O. Box 618, Hampstead, MD 21074.

MAXIMUM RECOMMENDED CAPACITIES

	Low Range- 1	High Range- 2
BITS, METAL DRILLING	3/8"	1/4"
WOOD, FLAT BORING	1"	5/8"

IMPORTANT!

To assure product safety and reliability, particularly for double insulated tools, repairs, maintenance and adjustment (excluding maintenance described in this manual) should be performed by B&D service centers or authorized service centers, using identical B&D replacement parts.

Every B&D tool is of the highest quality.
If you wish to contact us regarding this product, please call toll
free between 8:00am and 8:00pm ET, seven days a week:

1-800-9-BD TOOL
(1-800-923-8665)

One Year Free Maintenance

All B&D tools for Industry and Construction are covered under a one year free maintenance program where B&D will inspect your tool for safety and provide necessary maintenance or repairs, including normal wear and tear parts, for one year, FREE OF CHARGE.

Full Warranty

All B&D tools for Industry and Construction are warranted to be free of any defects in materials or workmanship. Upon thorough examination of tool, B&D will repair or replace, at our option, any product that is determined to be defective.

Conditions

The service/safety check and the warranty do not apply to: repairs made or attempted by anyone other than an authorized B&D service location; misuse, abuse, neglect, improper application of the tool; missing parts; or normal wear and tear (after first year of ownership). Please return the complete unit, transportation prepaid, to any B&D factory owned or B&D authorized service center location (list provided with tool or see yellow pages under "Tools Electric").

YOUR POWER TOOLS MAY BE SERVICED AT THE FOLLOWING B&D SERVICE DEPOTS.

ALBERTA
Edmonton T5M1V1, 11440 142nd St. 403-453-2373

BRITISH COLUMBIA
Vancouver V5M3Y7, 1735 Boundry Rd 604-291-9942

MANITOBA
Winnipeg R3H0K3, 934 St. James St. 204-783-7294

NOVA SCOTIA
Halifax B3K2A4, 6100 Young St. 902-453-5090

ONTARIO
Brockville K6V5W6, 100 Central Ave. 613-342-6641
London N6E3A9, 981 Wellington Rd #6 519-649-2407
Mississauga L4X1L3, 1480 Dundas St.E#6. 905-277-0011
North York M3J3H1, 48 Kodiak Cros. 416-635-6740

QUÉBEC
Montréal H1Y1B4, 3061 Bélanger 514-722-1021

**FOR ADDITIONAL SERVICE LOCATIONS
CALL: 1-800-9-BD TOOL**

YOUR POWER TOOLS MAY BE SERVICED AT THE FOLLOWING B & D SERVICE CENTERS.

ALABAMA:
 Birmingham 35209, 2412 Green Springs Hwy. 205-942-0538
 Mobile 36608, 3831 Airport Blvd. 205-343-6624

ALASKA:
 Anchorage 99518, 910 West International Airport Rd. 907-563-4664

ARIZONA:
 Mesa 85202, 535 S. Dobson, Suite 7, 602-461-1074
 Phoenix 85013, 4501 N. 7th Avenue 602-279-6414
 Tucson 85712, 4845 E. Speedway Blvd. 602-323-3388

ARKANSAS:
 Little Rock 72201, 519 W. Seventh St. 501-372-3040

CALIFORNIA:
 Anaheim 92806, 540 South State College Blvd. 714-772-4050
 Concord 94520, 1500 Monument Blvd., #C2 510-682-4880
 Fresno 93710, 5412 North Blackstone Ave. 209-435-0810
 Long Beach 90805, 2011 South St. 310-422-5825
 Los Angeles 90040, 4820 South Eastern Ave., Suite "L" 213-720-1834
 Riverside 92506, 6215 Magnolia Ave., Suite "B" 909-787-9700
 Sacramento 95825, 2033 Fulton Ave. 916-972-9090
 San Diego 92123, 9270 Clairemont Mesa Blvd. 619-279-2011
 San Jose 95128, 1185 So. Bascom Ave. 408-293-7350
 San Leandro 94578, 15206 E. 14th St. 510-276-1610
 Van Nuys 91411, 14920 Victory Blvd. 818-787-5531

COLORADO:
 Denver 80219, 1171 S. Federal Blvd. 303-922-8325

CONNECTICUT:
 Orange 06477, 481 Boston Post Rd. 203-795-3583
 Wethersfield (Hartford) 06109, 662 Silas Dean Hwy. 203-563-5800

DISTRICT OF COLUMBIA: Washington

COLUMBIA:
 Colmar Manor 20722, 4153 Bladensburg Rd. 301-779-3808
 Falls Church, VA 22046, 344 W. Broad St. 703-533-7313

FLORIDA:
 Ft. Lauderdale 33334, 799 E. Oakland Pk. Blvd. 305-566-5102
 Jacksonville 32205, 920 Cassat Ave. 904-781-2253
 Miami (North) 33168, 13345 N.W. Seventh Ave. 305-681-6658
 Miami (South) 33156, 12293 So. Dixie Hwy. 305-232-9497
 Orlando 32803, 3807 E. Colonial Dr. 407-894-7011
 St. Petersburg 33709, 5635 49th St., N. 813-525-0273
 Tampa 33609, 3432 W. Kennedy Blvd. 813-872-8317
 West Palm Beach 33415, 310 South Military Trail. 407-689-3247

GEORGIA:
 Atlanta (South) 30349, 5330 Old National Hwy. 404-762-8844
 Smyrna 30080, 2550 Cobb Pkwy. 404-956-0869
 Stone Mountain (Atlanta) 30086, 5723 Memorial Dr. 404-292-4714

HAWAII:
 Honolulu 96819, 330 Sand Island Access Road 808-847-7447

ILLINOIS:
 Des Plaines (Chicago) 60018, 1277 South Elmhurst Rd. 708-364-5220
 Lincolnwood (Chicago) 60646, 6710 N. Crawford Ave. 708-673-0923
 Lisle (West Chicago) 60532, 2950 Ogden Ave., Unit H. 708-717-1075
 Moline 61265, 4433 23rd Ave. 309-762-3000
 Oak Lawn (Chicago) 60453, 6343 W. 95th St. 708-423-7212

INDIANA:
 Evansville 47710, 307 First Ave., Crescent Ctr. 812-425-4269
 Hammond 46323, 7103 Kennedy Ave. 219-845-5100
 Indianapolis 46224, 5999 Crawfordsville Rd. 317-243-8308

IOWA:
 Des Moines 50310, 3427 Merle Hay Rd. 515-270-1340

KANSAS:
 Wichita 67213, 155 S. West St. 316-943-1271

KENTUCKY:
 Louisville 40213, 5211 Preston Hwy. 502-968-7100

LOUISIANA:
 Baton Rouge 70815, 11859 Florida Blvd. 504-272-8111
 Harvey 70058, 2500 Lapalco Blvd. 504-366-8676
 Metairie (New Orleans) 70002, 3504 N. Causeway Blvd. 504-837-2550
 Shreveport 71108, 7710-7714 Jewella Rd. 318-688-1553

MARYLAND:
 Baltimore (East) 21205, 4712 Erdman Ave. 410-485-5550
 Baltimore (North) 21030, 29-31 Cranbrook Rd., Cockeysville 410-666-5966
 Baltimore (South) 21122, 8220 Ritchie Hwy., Pasadena 410-647-8456
 Colmar Manor 20722, 4153 Bladensburg Rd. 301-779-3808

MASSACHUSETTS:
 Brighton (Boston) 02135, 12 Market St. 617-782-6264
 Seekonk 02777, 120 Highland Ave. 508-336-6510

MICHIGAN:
 Grand Rapids 49512, 3040 28th St., S.E. 616-949-8331
 Warren 48093, 27035 Van Dyke Blvd. 313-756-6711
 Westland (Detroit) 48185, 8067 North Wayne Rd. 313-427-1520

MINNESOTA:
 Bloomington (Minneapolis-St. Paul) 55420, 9517 Lyndale Ave., S. 612-884-9191

MISSOURI:
 Kansas City 64111, 4324 Main St. 816-531-0629
 St. Ann (North St. Louis) 63074, 3637 North Lindbergh Blvd. 314-739-4661
 St. Louis 63131, 12852 Manchester Rd. 314-821-8740

NEBRASKA:
 Omaha 68127, 4225 S. 84th St. 402-592-5666

NEVADA:
 Las Vegas 89104, 3411 East Charleston Blvd. 702-641-6555

NEW JERSEY:
 Cherry Hill 08034, 1444 E. Marlton Pike/Rte. 70 609-429-2822
 Little Falls 07424, 1189 U.S. Highway 46. 201-256-9373
 Union (Scotch Plains) 07076, 2520 Route #22 East 908-233-5665

NEW MEXICO:
 Albuquerque 87110, 5617 Menaul Blvd., N.E. 505-884-1002

NEW YORK:
 Buffalo 14209, 881 W. Delavan Ave. 716-884-6220
 Centerach L.I. 11720, 2061-63 Middle Country Rd. 516-737-4706
 Elmhurst (New York) 11373, 77-20 Queens Blvd. 718-335-1042
 Latham (Albany) 12110, 836 Troy-Schenectady Rd. 518-785-1867
 Manhattan (New York) 10010, 50 West 23rd St. 212-929-6450
 Rochester 14623, 2969 W. Henrietta Rd. 716-424-1310
 Syracuse 13214, 3485 Erie Blvd., East 315-446-3086
 Westbury L.I. (New York) 11590, 1061 Old Country Rd. 516-997-6140

NORTH CAROLINA:
 Charlotte 28205, 3007 E. Independence Blvd. 704-374-1779
 Greensboro 27407, 3716 High Point Rd. 910-852-1300
 Raleigh 27604, 2930 Capital Blvd. 919-878-0357
 Cincinnati 45241, 2310 E. Sharon Rd. 513-772-3111
 Columbus 43227, 3975 E. Livingston Ave. 614-237-0461
 Dayton 45409, 2898 S. Dixie Dr. 513-298-1951

OHIO:
 Mayfield Heights (East Cleveland) 44124, 5881 Mayfield Rd. 216-449-2770
 Parma Heights (Cleveland) 44130, 6483 Peart Rd. 216-842-9100
 Toledo 43607, 3231 Dorr St. 419-531-8921

OKLAHOMA:
 Oklahoma City 73106, 1318 Linwood Blvd. 405-232-7515
 Tulsa 74145, 3120 S. Sheridan Rd. 918-622-5666

OREGON:
 Portland 97209, 1640 N.W. Johnson St. 503-228-8631

PENNSYLVANIA:
 Evans City 16033, 20808 Rt. 19 North. 412-779-9600
 Harrisburg 17112, 6080 Allentown Blvd. 717-545-0651
 Lancaster 17601, 118 Keller Ave. 717-393-5251
 Philadelphia 19103, 333 N. 20th St. 215-584-5520
 Philadelphia (North) 19115, 9977-81 Bustleton Ave. 215-464-7771
 Pittsburgh 15232, 5437 Baum Blvd. 412-362-2700
 Whitehall (Allentown) 18052, 2242 MacArthur Rd. 610-435-9544

PUERTO RICO:
 Puerto Nuevo 809-783-3535

RHODE ISLAND:
 See Seekonk, MA

SOUTH CAROLINA:
 Greenville 29607, 1557 Laurens Rd. 803-232-3038

TENNESSEE:
 Knoxville 37917, 4118 N. Broadway. 615-688-0921
 Memphis 38116, 1085 East Brooks Rd. 901-332-3444
 Nashville 37211, 4611 Nolensville Rd. 615-833-8277

TEXAS:
 Amarillo 79106, 3008 West 6th Ave. 806-373-1531
 Austin 78757, 6549 Burnet Rd. 512-459-1133
 Dallas 75229, 2257 Royal Ln. 214-620-6655
 El Paso 79915, 6822 Gateway East. 915-778-9769
 Fort Worth 76111, 721 North Beach St. 817-831-3828
 Houston 77022, 536 E. Tidwell Rd. 713-692-7111
 Houston (S.W.) 77025, 9319 Stella Link Blvd. 713-664-3666
 San Antonio 78201, 500 Culebra Ave. 210-732-1221

UTAH:
 Salt Lake City 84115, 1541 S. Third West St. 801-486-5828

VIRGINIA:
 Falls Church 22046, 344 W. Broad St. 703-533-7313
 Norfolk 23513, 7631 Sewells Point Rd. 804-480-3333
 Richmond 23222, 1424 Chamberlayne Ave. 804-649-9245

WASHINGTON:
 Seattle 98108, 421 S. Michigan St. 206-763-2010
 Spokane 99208, N. 7011 Division St. 509-467-8190
 Tacoma 98409, 2602 S. 38th St. 206-473-6040

WEST VIRGINIA:
 Charleston 25312, 1638 Sixth Ave. 304-343-0289

WISCONSIN:
 Milwaukee (Wauwatosa) 53226, 10424 West Bluemound Rd. 414-459-4240

Black & Decker (U.S.) Inc. • 701 East Joppa Road, Towson, Maryland 21286

Printed in U.S.A. (AUG94-CO-1) Form No. 159043 Copyright © 1994