



## CANISTER VAC

# INSTRUCTION MANUAL

Thank you for choosing Black & Decker!  
Go to [www.BlackandDecker.com/NewOwner](http://www.BlackandDecker.com/NewOwner)  
to register your new product.

### PLEASE READ BEFORE RETURNING THIS PRODUCT FOR ANY REASON:

If you have a question or experience a problem with your Black & Decker purchase, go to  
**[HTTP://WWW.BLACKANDDECKER.COM/INSTANTANSWERS](http://www.blackanddecker.com/instantanswers)**  
for instant answers 24 hours a day.

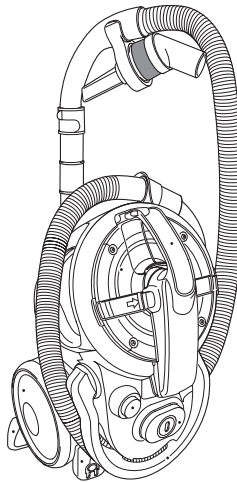
If you can't find the answer or do not have access to the internet,  
call 1-800-544-6986 from 8 a.m. to 5 p.m. EST Mon. -- Fri. to speak with an agent.

Please have the catalog number available when you call.

**CATALOG NUMBERS**  
VN2200  
VN1400P

### KEY INFORMATION YOU SHOULD KNOW

- Your Black & Decker vacuum cleaner has been designed to vacuum dry substances. This product is intended for household use only.



**SAVE THIS MANUAL FOR FUTURE REFERENCE.**  
**FOR HOUSEHOLD USE ONLY.**  
**VEA EL ESPAÑOL EN LA CONTRAPORTADA.**

INSTRUCTIVO DE OPERACIÓN, CENTROS DE SERVICIO Y PÓLIZA DE GARANTÍA. **ADVERTENCIA:**  
LÉASE ESTE INSTRUCTIVO ANTES DE USAR EL PRODUCTO.

# IMPORTANT SAFEGUARDS

When using electrical appliances, basic safety precautions should always be followed, including the following:

**PLEASE READ AND UNDERSTAND ALL INSTRUCTIONS CAREFULLY BEFORE USING THE UNIT.**

## SAFETY GUIDELINES - DEFINITIONS

It is important for you to read and understand this manual.

The information it contains relates to protecting YOUR SAFETY and PREVENTING PROBLEMS. The symbols below are used to help you recognize this information.

**⚠ DANGER:** Indicates an imminently hazardous situation which, if not avoided, will result in death or serious injury.

**⚠ WARNING:** Indicates a potentially hazardous situation which, if not avoided, could result in death or serious injury.

**⚠ CAUTION:** Indicates a potentially hazardous situation which, if not avoided, may result in minor or moderate injury.

**CAUTION:** Used without the safety alert symbol indicates potentially a hazardous situation which, if not avoided, may result in property damage.

**⚠ WARNING:** Injury to pets. Do not use directly on animals.

**⚠ WARNING:** To reduce the risk of fire, electrical shock or injury:

- The intended use is described in this manual. The use of any accessory or attachment or the performance of any operation with this appliance other than those recommended in this instruction manual may present a risk of personal injury.
- Make sure that the appliance is switched off before connecting to or disconnecting from the power supply.
- Always take care when using the appliance.
- Do not use the appliance outdoors.
- If the power supply cord is damaged during use, disconnect the appliance from the power supply immediately. Do not touch the power supply cord before disconnecting from the power supply.
- Disconnect the appliance from the power supply when not in use, before fitting or removing parts and before cleaning.
- Before use, check the appliance for damaged or defective parts. Check for breakage of parts, damage to switches and any other conditions that may affect its operation.
- Do not use the appliance if any part is damaged or defective.
- Have any damaged or defective parts repaired or replaced by an authorised repair agent.
- Before use, check the power supply cord for signs of damage, ageing and wear.
- Do not use the appliance if the power supply cord or mains plug is damaged or defective.
- If the power supply cord or mains plug is damaged or defective it must be repaired by an authorised repair agent in order to avoid a hazard. Do not cut the power supply cord and do not attempt to repair it yourself.
- Never attempt to remove or replace any parts other than those specified in this manual.
- Do not leave appliance when plugged in. Unplug from outlet when not in use and before servicing.
- Use indoors only. Do not use on wet surfaces.
- Do not store outdoors or on wet surfaces. To prevent tripping accidents, store vacuum after each use.
- Close supervision is necessary when any appliance is used near children. Do not allow to be used as a toy.

- Use only as described in this manual. Use only manufacturer's recommended attachments.
- Do not operate any appliance with a damaged cord or plug or after the appliance malfunctions, is left outdoors, dropped into water or is damaged in any manner. Return the appliance to any authorized service facility.
- Do not pull or carry by cord, do not use cord as a handle, do not close a door on cord or pull cord around sharp edges or corners, do not run appliance over cord. Keep cord away from heated surfaces.
- Do not unplug by pulling on cord. To unplug, grasp the plug, not the cord.
- Do not handle plug or appliance with wet hands.
- Do not put any object into unit openings. Do not use with any openings blocked; keep free of dust, lint, hair, and anything that may reduce air flow.
- Keep hair, loose clothing, fingers, and all parts of body away from openings, moving parts and rotating brush.
- Keep end of hose, wands and other openings away from your face and body.
- Use extra caution when cleaning on stairs.
- Keep work areas well lit.
- Do not vacuum any electrical appliances while they are plugged in.
- Do not use this product to pick up sharp objects, metallic debris or large, solid objects (i.e., rocks or pebbles), as product damage may result.
- Do not use to pick up any liquids, toxic substances, flammable or combustible liquids such as gasoline or use in areas where they may be present.
- Do not place or drop the product into water or other liquids, if the product falls into water, immediately unplug it from the electrical outlet. Do not touch or reach into the water.
- Do not use this product while standing in water or on wet surfaces.
- Do not vacuum burning or smoking materials, such as lit cigarette butts, matches or hot ashes.
- Do not use on or near hot surfaces. Keep cord away from heated surfaces.
- Do not use without dirt bowl and filters in place.
- Turn off the switch before unplugging.
- Use only extension cords UL-rated or cUL at 15 amperes. Extension cords rated for less amperage may overheat. Care should be taken to arrange the cord so that the cord cannot be pulled or tripped over.
- Using improper voltage may result in damage to the motor and possible injury to the user. Correct voltage is listed on the rating label.
- Always wear the appropriate shoes and clothing while operating this product.
- Do not allow children or any person unfamiliar with these instructions to use the appliance.
- Do not allow children or animals to come near the work area or to touch the appliance or power supply cord.
- When not in use, the appliance should be stored in a dry place. Children should not have access to stored appliances.
- Use only extension cords rated UL/cUL or UL/CSA at 15 amperes.

## **⚠ Additional Safety Warnings for Vacuum Cleaners**

- Do not use the appliance near water. Do not immerse the appliance in water.
- Keep the motor draught away from your eyes and face.
- Do not use damaged accessories.
- Before use, always make sure that the filter is correctly seated.
- Do not immerse the appliance in water.
- Keep the air exhaust away from your eyes and face.
- Do not carry the appliance at the container handle.
- Always work from bottom up when using the appliance on stairs, and keep the appliance at least a stair below your working position.

- Do not use the appliance without the Multi Surface Suction Head or another suitable accessory mounted to the tube.
- The canister vacuum is a very powerful unit. Make sure to hold firmly when starting and in use.
- Use only Black & Decker accessories.

## Polarized Plug

### Safety Instructions: Polarized Plugs

To reduce the risk of electric shock, this equipment has a polarized plug (one blade is wider than the other). Polarized connections will fit together only one way. If the power cord plug does not fit fully into the receptacle, reverse the plug. If it still does not fit fully into the outlet, contact a qualified electrician to install the proper outlet. Do not change the vacuum power cord in any way.

**⚠ WARNING:** Always unplug the product from the electrical outlet before assembling, opening or emptying the container, or connecting/disconnecting the attachments.

**⚠ CAUTION:** Keep the suction intake opening free from obstruction at all times; otherwise the motor will overheat and product damage may result.

**⚠ WARNING:** This product contains chemicals, including lead, known to the State of California to cause cancer, and birth defects or other reproductive harm. Wash hands after handling.

**⚠ WARNING:** Some household dust contains chemicals known to the State of California to cause cancer, birth defects or other reproductive harm such as asbestos and lead in lead based paint.

**⚠ CAUTION:** The vacuum could move unexpectedly if the air inlet is suddenly blocked.

**IMPORTANT:** Washing filters improves vacuum performance. Make sure all filters are completely dry before inserting back in the hand vacuum.

**This appliance is intended for household use only and not for commercial or industrial use.**

## SAVE THESE INSTRUCTIONS

## Functional Description

This appliance includes some or all of the following features.

1. Hose
2. Container handle
3. Filter cleaning switch
4. On/off switch
5. Handle
6. Cord rewind button
7. Multi surface suction head
8. Wheels
9. Container
10. Extension tube

11. Airflow control switch

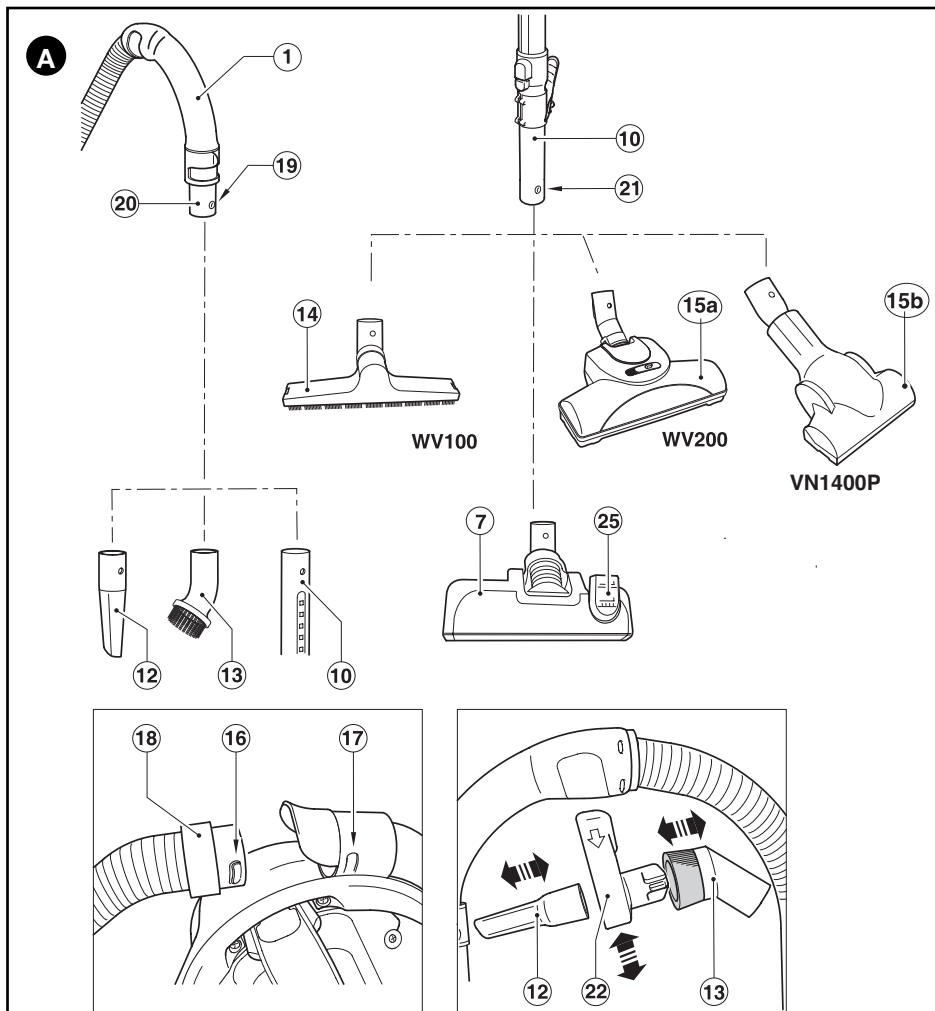
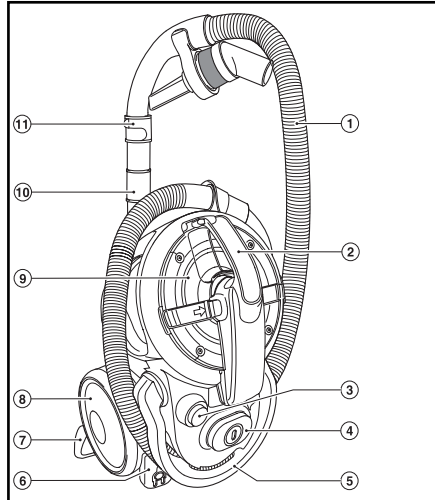
In addition, this appliance is supplied with some or all of the following accessories (fig. A):

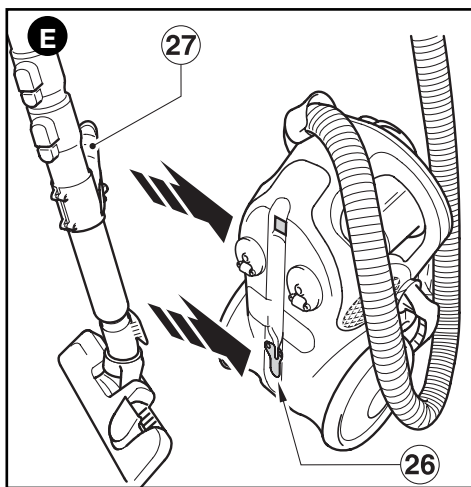
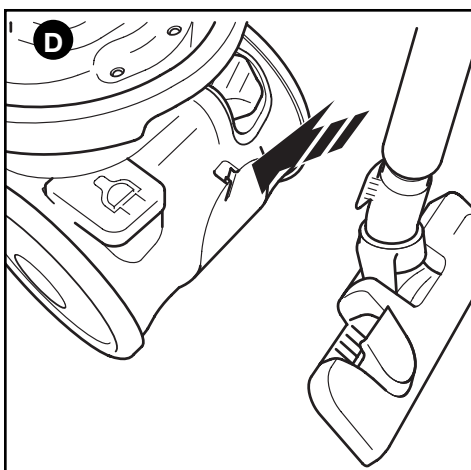
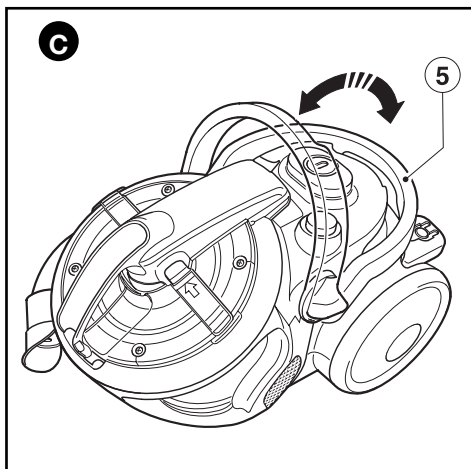
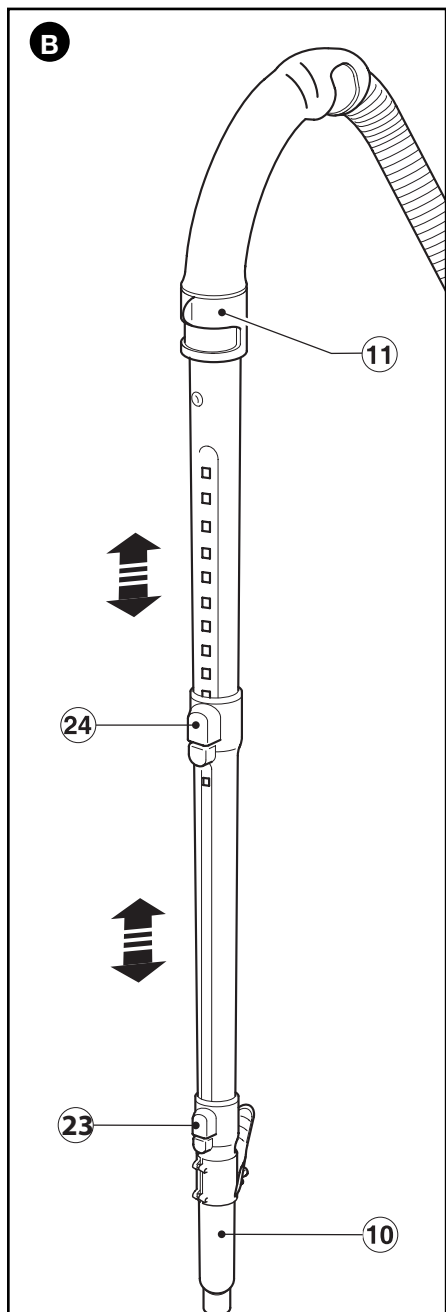
- 12. Crevice tool
- 13. Brush tool
- 14. Hard Surface Head (VN2010 / VN2200)
- 15a. Large Turbo brush (VN2200 / VN1400P)
- 15b. Mini Pet Hair Turbo Brush (VN1400P)

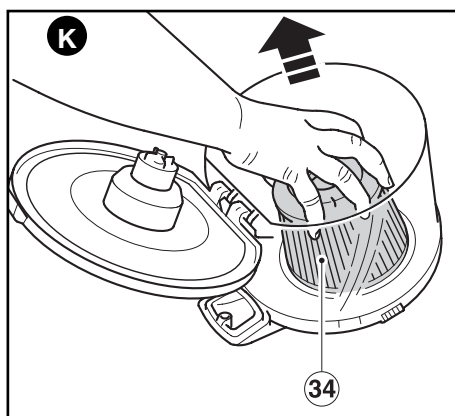
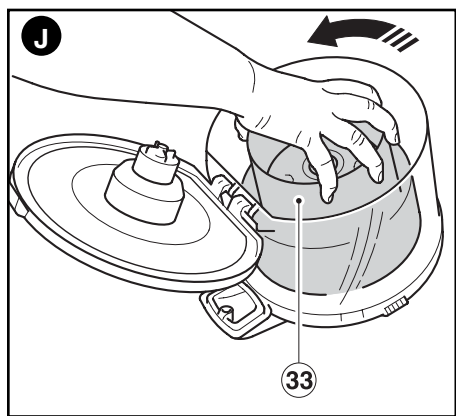
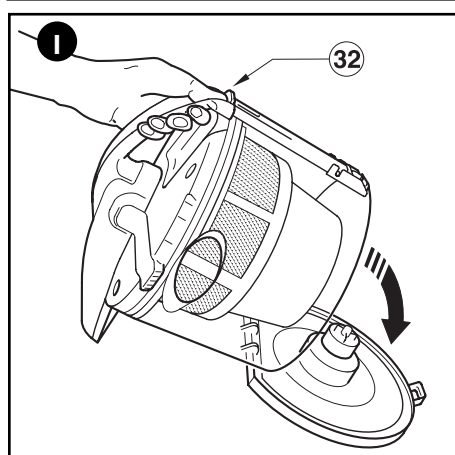
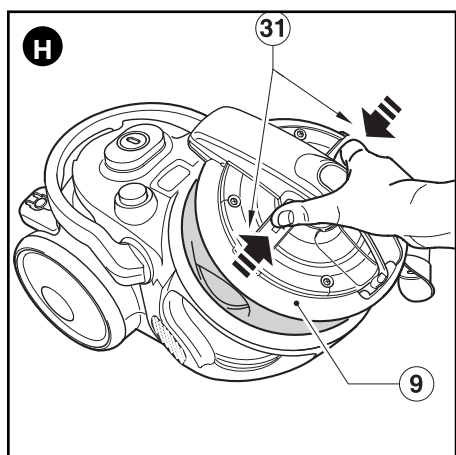
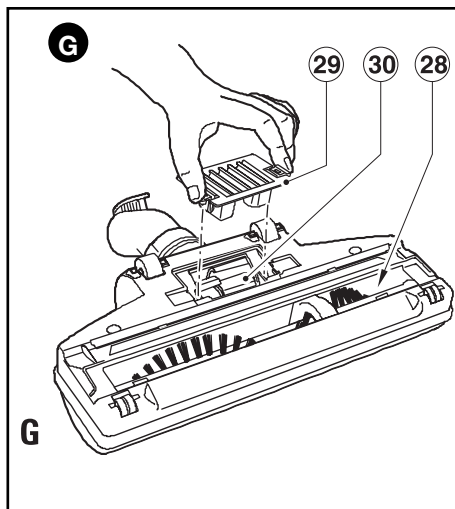
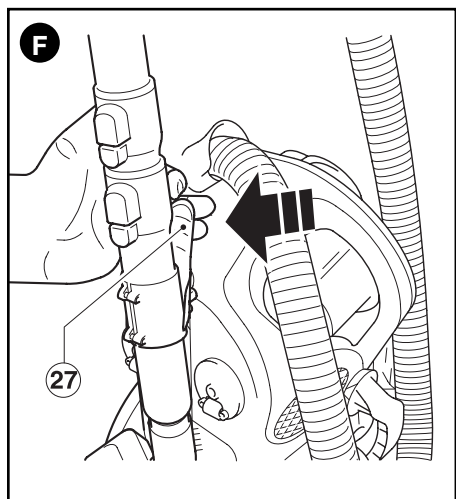
The Hard Surface Head is not included with all models. This accessory is available from your Black & Decker dealer / service centre (cat. no. **WV100**).

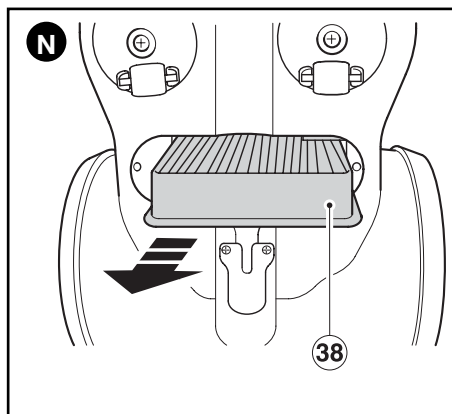
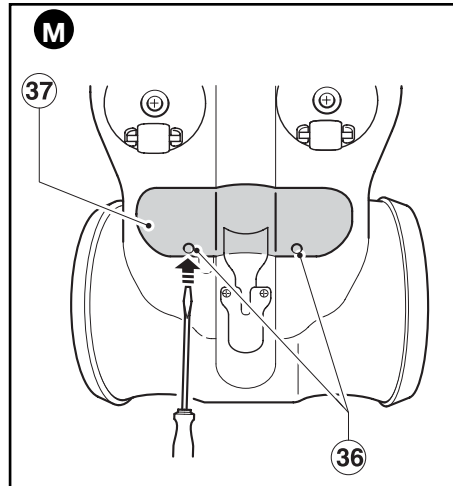
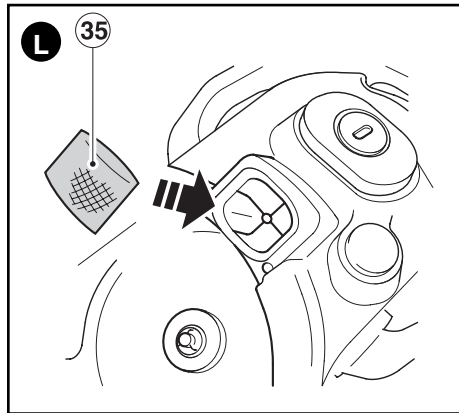
The turbo brush is not included with all models. This accessory is available from your Black & Decker dealer / service centre (cat. No. **WV200**).

The Mini Pet Hair Turbo brush is not included with all models. This accessory is available from your Black & Decker teleservices at **1-800-544-6986**.









## Assembly

### Connecting the hose (fig. A)

- Insert the hose connector (16) into the inlet (17) of the appliance.
- Line up the hose connector tabs with the slots in the inlet.
- Slide the hose further until the release buttons (18) (2 positions) click into place.
- To disconnect the hose, press the release buttons (18) (2 positions) and pull out the hose.

### Mounting the extension tube (fig. A)

- Press the lock button (19) and slide the hose nozzle (20) into the tube (10) until it clicks into place.
- To remove the tube (10), press the lock button and pull the hose nozzle (20) out of the tube.

### Mounting the multi surface suction head (fig. A)

The multi surface suction head (7) allows for vacuuming on carpet and hard surfaces (e.g. laminate and tiles).

- Press the lock button (21) and slide the tube (10) into the head (7) until it clicks into place.
- To remove the head (7), press the lock button (21) and pull the tube (10) out of the head (7).



**VN2010/VN2200 - Mounting the Hard Surface Head (fig. A)**

The Hard Surface Head (14) allows for vacuuming on wooden and polished surfaces.

- Press the lock button (21) and slide the tube (10) into the head (14) until it clicks into place.
- To remove the head (14), press the lock button (21) and pull the tube (10) out of the head.

**VN2200/VN1400P - Mounting the Mini and Large Turbo Brush (fig. A 15a & 15b)****⚠ WARNING: Injury to pets. Do not use directly on animals.**

The turbo brush (15a & 15b) allows for vacuuming on cut pile carpeting.

The brush is particularly useful for picking up hair, threads, etc., as well as for refreshing trodden-down carpet pile.

- Press the lock button (21) and slide the tube (10) into the head (15a & 15b) until it clicks into place.
- To remove the head (15a & 15b), press the lock (21) button and pull the tube (10) out of the head.

**Mounting accessories (fig. A)**

The crevice tool (12) allows for vacuuming in narrow and hard-to-reach places. The brush tool (13) allows for vacuuming on furniture, blinds, curtains, windows and stairs. The accessories can be mounted on both the hose (1) and the tube (10).

- Press the lock button (19 or 21) and slide the accessory onto the hose nozzle (20) or the tube (10).
- To remove an accessory, press the lock button (19 or 21) and pull the accessory off.

When not in use, the accessories can be stored on the accessory holder (22). The accessory holder is stored on the hose nozzle. This is clipped into place, to remove pull way from the hose nozzle. The tools are stored as shown in fig. A.

## Use

**Unwinding and rewinding the cord**

The cord rewind button (6) can be operated by hand or foot.

- Before use, pull a sufficient length of cord from the back of the appliance.
- After use, press the cord rewind button (6) to store the cord back into place. Manually guide the cord to ensure it does not swing back. Ensure the plug is correctly located.

**Adjusting the length of the tube (fig. B)**

The extension tube (10) is made up of three pieces.

- To extend the middle / lower two pieces, press the lower adjustment button (23) and slide out the tube fully until it clicks into place.
- The upper two pieces can be adjusted in 11 steps. Press the upper adjustment button knob (24) and slide the tube to the desired length. Make sure that the tube clicks into place.

**Adjusting the suction head (fig. A)**

- For vacuuming on carpets, switch the floor surface selector (25) into the up position.
- For vacuuming on laminates, tiles, etc., switch the floor surface selector (25) into the down position.

**Switching on and off**

- The on/off switch (4) can be operated by hand or foot.
- To switch the appliance on, press the on/off switch (4).
- To switch the appliance off, press the on/off switch (4) again.

**Adjusting the airflow (fig. B)**

- Rotate the airflow control switch (11) to adjust the airflow as desired. Max and min positions are shown.

### Vacuumping

- When operating the appliance, make sure that the hose is not trapped, twisted or blocked
- In case of overheating, a cut-out will operate and the appliance will automatically stop.
- If the appliance stops operating, unplug the appliance and allow it to cool for 2-3 hours.

### Hints for optimum use

- When working in confined spaces, temporarily remove the accessory holder from the tube to improve your scope.
- When vacuuming stairs, always start at the bottom and work your way up. Position the appliance on the floor and do the stairs until halfway. Then carry the appliance to a stable position which is at least one stair below your working position, and do the top half of the stairs.

### VN2200/VN1400P - Using the turbo brushes (fig. A)

- Take care that the speed control switch is at the highest setting. Move the slider on top of the brush as necessary to optimise the suction force.
- Move the brush steadily back and forth. Do not keep the brush on the same place for a long time, as this might damage the surface.

### Carrying the appliance (fig. C)

During use the appliance can be carried using the handle (5).

- Tilt the handle into position as shown.

### Temporarily parking the multi surface suction head (fig. D)

- Use the park position for a temporary parking of the multi surface suction head.

### Storing the appliance (fig. E & F)

**⚠ WARNING:** When storing the appliance, switch the appliance off and unplug it.

- Make sure that the cord is fully rewound.
- Place the appliance in an upright position.
- Wrap the hose around the appliance.
- Insert the multi surface suction head hook (26) into the recess in the appliance.
- Push the tube until the locking device (27) inserts into the corresponding recess in the appliance as shown. The locking device (27) engages automatically.
- Store the appliance in a dry location. The appliance can be carried by the container handle (2).
- To take the tube from the appliance for use, press the lever on the locking device (27) on the back of the tube and pull the tube away from the unit and lift the tube and head out of the parking slots.

## Maintenance

### IMPORTANT: UNPLUG VACUUM BEFORE PERFORMING ANY MAINTENANCE.

Use only mild soap and a damp cloth to clean your vacuum. Never let any liquid get inside the vacuum; never immerse any part of the vacuum into a liquid.

**Note: Make sure the vacuum is completely dry before using it.**

Your Black & Decker tool has been designed to operate over a long period of time with a minimum of maintenance. Continuous satisfactory operation depends upon proper tool care and regular cleaning.

**Cleaning the filter**

The appliance is fitted with a filter cleaning feature.

- After every use switch the appliance off but don't unplug from the mains.
- Ensure the container is securely in place.
- Press the filter cleaning switch (3) and the filter cleaning cycle will run for 10 seconds, after which it will automatically switch off. During the 10 seconds, the auto cleaning system cleans the filter.
- The plug can now be removed from the socket.

This will ensure that the next time the appliance is used the performance is at its optimum.

**Note:** The appliance is designed to prevent vacuuming during the filter cleaning cycle. If the vacuum is switched on during the filter cleaning cycle, the filter cleaning cycle will stop.

**⚠ WARNING:** Before performing any maintenance or cleaning on the appliance, unplug the appliance.

- Regularly clean the ventilation slots in your appliance using a soft brush or dry cloth.
- Regularly clean the motor housing using a damp cloth. Do not use any abrasive or solvent-based cleaner.

**VN2200/VN1400P - Clearing the large turbo brush (fig. G)**

- Remove any hair or threads collected onto the brush (28). Use a pair of scissors if necessary.
- Remove the cover (29) to remove any foreign objects blocking the air turbine (30). Re-fit the cover.

**Emptying the container (fig. H & I)**

The container (9) must be emptied when the dirt fills to the maximum mark indicated on the bin.

- Remove the container (9) from the appliance by pressing the two release buttons (31) and lifting the container out of the appliance.
- Press the lower door latch (32) to release the dirt.
- Empty the container as necessary.
- Clean the filter as described below.
- Close the lower door and make sure that it clicks into place.
- Re-fit the container (9) into the appliance, make sure that the release buttons (31) click into place.
- Press the filter cleaning switch (3) and the filter cleaning cycle will run for 10 seconds, after which it will automatically switch off. This will ensure that the next time the appliance is used, the performance will be at it's optimum.

**Cleaning**

**⚠ WARNING:** Before cleaning and maintenance, switch the appliance off and unplug it.

- From time to time wipe the appliance with a damp cloth. Do not use any abrasive or solvent-based cleaner. Do not immerse the appliance in water.

**Cleaning the container filters (fig. H - K)**

The container filters prevent dust and dirt from entering the motor housing. The filters are re-usable and should be cleaned periodically.

- Remove the container from the appliance (fig. H).
- Press the lower door latch (32) to release the lower door (fig. I).
- Remove the pre-filter (33) from the container (9) (fig. J) by rotating anti clockwise.
- Pull the filter (34) off the filter holder (fig. K).

- ⚠ WARNING:** Do not brush or use compressed air to clean the filter.
- Depending on its condition, rinse the outside of the filter with water. Allow the filter to dry for 24 hours before reinserting it.

- ⚠ WARNING:** Do not wash the inside of the filter.

- Replace the filter.
- Re-fit the pre-filter.
- Close the lower door.
- Re-insert the container into the appliance.

#### **Cleaning the motor filter (fig. H & L)**

The motor filter (35) prevents particles and larger objects from entering the motor housing when the container is removed.

The filter (35) is re-usable and should be cleaned regularly.

- Remove the container from the appliance (fig. H).
- Take the filter (35) out (fig. L).
- Brush any loose dust off the filter.
- Replace the filter (35).
- Re-insert the container into the appliance.

## Replacement Parts

#### **Replacing the filters**

If the container filter (34) is damaged or fails to operate properly, it must be replaced.

Replacement filters are available from your Black & Decker dealer (cat. no. VLF50).

For information regarding Replacement Filters please call **1-800-544-6986**.

#### **Replacing the container filter**

- Proceed as described above to replace the filter (34).

#### **Replacing the outlet filter (fig. M & N)**

The appliance is fitted with a lifetime filter but if it is required to be replaced, replace it as follows:

- Remove the two screws (36)
- Remove the cover (37) by using a tool to lift the cover up.
- Remove the old filter (38) by pulling it out.
- Insert the new filter as shown.
- Refit the cover with the two screws (36).

#### **IMPORTANT: UNPLUG VACUUM BEFORE PERFORMING ANY MAINTENANCE.**

Use only mild soap and a damp cloth to clean your vacuum. Never let any liquid get inside the vacuum; never immerse any part of the vacuum into a liquid.

#### **Note: Make sure the vacuum is completely dry before using it.**

Your Black & Decker appliance has been designed to operate over a long period of time with a minimum of maintenance. Continuous satisfactory operation depends upon proper appliance care and regular cleaning.

- ⚠ WARNING:** Before performing any maintenance or cleaning on the appliance, unplug the appliance.

- Regularly clean the ventilation slots in your appliance using a soft brush or dry cloth.
- Regularly clean the motor housing using a damp cloth.

Do not use any abrasive or solvent-based cleaner.

#### **ACCESSORIES**

Recommended accessories for use with your tool are available from your local dealer or authorized service center. If you need assistance regarding accessories, please call:

**1-800-544-6986.**

**⚠ WARNING:** The use of any accessory not recommended for use with this tool could be hazardous.

**TROUBLESHOOTING**

**Problem**

- Unit will not start.

**Possible Cause**

- Cord not plugged in.
- Circuit fuse is blown.
- Circuit breaker is tripped.
- Cord or switch is damaged.

**Possible Solution**

- Plug tool into a working outlet.
- Replace circuit fuse.  
(If the product repeatedly causes the circuit fuse to blow, discontinue use immediately and have it serviced at a Black & Decker service center or authorized servicer.)
- Reset circuit breaker.  
(If the product repeatedly causes the circuit breaker to trip, discontinue use immediately and have it serviced at a Black & Decker service center or authorized servicer.)
- Have cord or switch replaced at Black & Decker Service Center or Authorized Servicer

For assistance with your product, visit our website [www.blackanddecker.com](http://www.blackanddecker.com) for the location of the service center nearest you or call the BLACK & DECKER help line at **1-800-544-6986**.

**SERVICE INFORMATION**

All Black & Decker Service Centers are staffed with trained personnel to provide customers with efficient and reliable power tool service. Whether you need technical advice, repair, or genuine factory replacement parts, contact the Black & Decker location nearest you. To find your local service location, refer to the yellow page directory under "Tools—Electric" or call: **1-800-544-6986** or visit [www.blackanddecker.com](http://www.blackanddecker.com)

**FULL TWO-YEAR HOME USE WARRANTY**

Black & Decker (U.S.) Inc. warrants this product for two years against any defects in material or workmanship. The defective product will be replaced or repaired at no charge in either of two ways.

The first, which will result in exchanges only, is to return the product to the retailer from whom it was purchased (provided that the store is a participating retailer). Returns should be made within the time period of the retailer's policy for exchanges (usually 30 to 90 days after the sale). Proof of purchase may be required. Please check with the retailer for their specific return policy regarding returns that are beyond the time set for exchanges.

The second option is to take or send the product (prepaid) to a Black & Decker owned or authorized Service Center for repair or replacement at our option. Proof of purchase may be required. Black & Decker owned and authorized Service Centers are listed under "Tools-Electric" in the yellow pages of the phone directory.

This warranty does not apply to accessories. This warranty gives you specific legal rights and you may have other rights which vary from state to state or province to province. Should you have any questions, contact the manager of your nearest Black & Decker Service Center. This product is not intended for commercial use.

**FREE WARNING LABEL REPLACEMENT:** If your warning labels become illegible or are missing, call **1-800-544-6986** for a free replacement.

Imported by  
Black & Decker (U.S.) Inc.,  
701 E. Joppa Rd.  
Towson, MD 21286 U.S.A.



See 'Tools-Electric'  
- Yellow Pages -  
for Service & Sales



**BLACK & DECKER®**

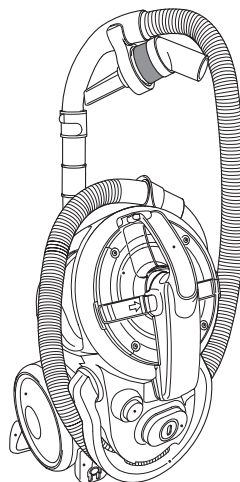
**ASPIRATEUR-TRAÎNEAU**

## **MODE D'EMPLOI**

N° de catalogue  
VN2200, VN1400P

### **VOICI DES RENSEIGNEMENTS IMPORTANTES À CONNAÎTRE**

- L'aspirateur Black & Decker est conçu pour aspirer des déchets secs. Le présent produit est conçu uniquement pour une utilisation domestique.



**Merci d'avoir choisi Black & Decker!  
Consulter le site Web  
[www.BlackandDecker.com/NewOwner](http://www.BlackandDecker.com/NewOwner)  
pour enregistrer votre nouveau produit.**

### **À LIRE AVANT DE RETOURNER CE PRODUIT POUR QUELQUE RAISON QUE CE SOIT :**

Si des questions ou des problèmes surgissent après l'achat d'un produit Black & Decker,  
consulter le site Web

**[HTTP://WWW.BLACKANDDECKER.COM/INSTANTANSWERS](http://WWW.BLACKANDDECKER.COM/INSTANTANSWERS)**

pour obtenir des réponses instantanément 24 heures par jour.

Si la réponse est introuvable ou en l'absence d'accès à Internet, composer le  
1-800-544-6986 de 8 h à 17 h HNE, du lundi au vendredi, pour parler avec un agent.

Prière d'avoir le numéro de catalogue sous la main lors de l'appel.

**CONSERVER CE MANUEL POUR UN USAGE ULTÉRIEUR.**

# MESURES DE SÉCURITÉ IMPORTANTES

Lors de l'utilisation d'appareils électriques, toujours respecter les mesures de sécurité de base, notamment les suivantes :

**LIRE ATTENTIVEMENT ET COMPRENDRE TOUTES LES DIRECTIVES AVANT D'UTILISER L'APPAREIL.**

## LIGNES DIRECTRICES EN MATIÈRE DE SÉCURITÉ - DÉFINITIONS

Il est important que vous lisiez et compreniez ce mode d'emploi. Les informations qu'il contient concernent VOTRE SÉCURITÉ et visent à ÉVITER TOUT PROBLÈME. Les symboles ci-dessous servent à vous aider à reconnaître cette information.

**⚠ DANGER** : Indique une situation dangereuse imminente qui, si elle n'est pas évitée, causera la mort ou des graves blessures.

**⚠ AVERTISSEMENT** : Indique une situation potentiellement dangereuse qui, si elle n'est pas évitée, pourrait causer la mort ou de graves blessures.

**⚠ MISE EN GARDE** : Indique une situation potentiellement dangereuse qui, si elle n'est pas évitée, pourrait causer des blessures mineures ou modérées.

**MISE EN GARDE** : Utilisé sans le symbole d'alerte à la sécurité, indique une situation potentiellement dangereuse qui, si elle n'est pas évitée, peut résulter en des dommages à la propriété.

**⚠ AVERTISSEMENT** : **risque de blesser les animaux domestiques. Ne pas utiliser directement sur les animaux.**

**⚠ AVERTISSEMENT** : **pour réduire les risques d'incendie, de chocs électriques ou de blessures :**

- Ce mode d'emploi décrit l'usage prévu pour cet appareil. Il y a risque de provoquer une blessure corporelle avec l'utilisation d'un accessoire ou d'une pièce quelconque avec cet appareil ou l'exécution d'une opération autre que celle décrite dans ce manuel de directives.
- S'assurer que l'appareil est éteint avant de le brancher ou de le débrancher de la source d'alimentation.
- Toujours être très prudent lors de l'utilisation de l'appareil électrique.
- Ne pas utiliser l'appareil électrique à l'extérieur.
- Si le cordon d'alimentation est endommagé en cours d'utilisation, le débrancher immédiatement de la source d'alimentation. Ne pas y toucher avant de l'avoir débranché.
- Débrancher l'appareil électrique de la source d'alimentation lorsqu'il n'est pas utilisé, avant tout réglage, retrait de pièce ou nettoyage.
- Avant d'utiliser l'appareil électrique, l'inspecter à la recherche de tout signe de dommage ou de pièces défectueuses. Rechercher des bris de pièces, des dommages aux interrupteurs et toutes autres conditions qui pourraient nuire à son fonctionnement.
- Ne pas utiliser l'appareil électrique si une pièce quelconque semble endommagée ou défectueuse.
- Faire réparer ou remplacer les pièces endommagées ou défectueuses par un agent autorisé en réparation.
- Avant d'utiliser l'appareil électrique, inspecter le cordon d'alimentation pour toutes traces de dommages, de vieillissement et d'usure.
- Ne pas se servir de l'appareil électrique si le cordon d'alimentation ou la prise-secteur semble endommagé(e) ou est défectueux(se).
- Si le cordon d'alimentation ou la prise-secteur est endommagé(e) ou défectueux(se), il faut le(la) faire réparer par un agent autorisé en réparation pour éviter tout danger. Ne pas couper le cordon d'alimentation et ne pas essayer de le réparer vous-même.
- Ne pas essayer de retirer ou de réparer des pièces autres que celles précisées dans ce mode d'emploi.

- Ne pas laisser l'appareil électrique branché sans surveillance. Le débrancher lorsqu'il n'est pas utilisé et avant de le nettoyer ou de l'entretenir.
- Utiliser l'appareil à l'intérieur seulement. Ne pas utiliser l'appareil sur une surface mouillée.
- Ne pas ranger l'appareil à l'extérieur ou sur une surface mouillée. Pour éviter de trébucher sur l'appareil, le ranger après chaque utilisation.
- Exercer une étroite surveillance pour l'utilisation de tout appareil à proximité d'enfants. Interdire l'utilisation de l'appareil comme jouet.
- Utiliser l'appareil uniquement selon les indications données dans le présent manuel. Utiliser uniquement les accessoires recommandés par le fabricant.
- Ne pas utiliser un appareil présentant une fiche ou un cordon endommagé ou en cas de mauvais fonctionnement après avoir été laissé à l'extérieur, être tombé à l'eau ou avoir été endommagé de quelque façon que ce soit. Retourner l'appareil dans un centre de réparation autorisé.
- Ne pas tirer sur le cordon de l'appareil ni le transporter par son cordon; ne pas utiliser le cordon comme poignée; ne pas fermer de porte sur le cordon ni tirer un cordon contre un bord coupant ou un coin; ne pas faire fonctionner l'appareil sur son cordon. Tenir le cordon éloigné des surfaces chauffées.
- Ne pas débrancher l'appareil en tirant sur son cordon. Pour le débrancher, saisir la fiche et non le cordon.
- Ne pas manipuler la fiche ni l'appareil avec les mains mouillées.
- Ne pas insérer d'objet dans les ouvertures de l'appareil. Ne pas utiliser l'appareil si ses ouvertures sont bouchées; les tenir exemptes de poussière, de peluche, de cheveux et de toute chose pouvant réduire la circulation d'air.
- Tenir les cheveux, les vêtements amples, les doigts et toute autre partie du corps éloignés des pièces mobiles et de la brosse tournante.
- Tenir l'embout du tuyau, le tube et toute autre ouverture loin du visage et du corps.
- Être très prudent pour nettoyer les escaliers.
- Tenir la zone de travail bien éclairée.
- Ne pas passer l'aspirateur sur tout appareil électrique branché.
- Ne pas utiliser cet appareil pour ramasser des objets tranchants, des débris métalliques ou de gros objets durs comme des roches ou des cailloux, car l'appareil risque d'être endommagé.
- Ne pas utiliser cet appareil pour ramasser des liquides, des substances toxiques, inflammables ou combustibles comme de l'essence et ne pas l'utiliser dans les endroits où ces substances sont présentes.
- Ne pas mettre le produit dans l'eau et ne pas l'y laisser tomber; si cela arrive, débrancher immédiatement le produit. Ne toucher ni au produit ni à l'eau.
- Ne pas utiliser ce produit si vous êtes dans l'eau ou sur une surface mouillée.
- Ne pas passer l'aspirateur sur des matières qui brûlent ou fument comme des mégots de cigarette, des allumettes ou des cendres chaudes.
- Ne pas utiliser l'appareil sur des surfaces chaudes ni près de celles-ci. Tenir le cordon éloigné des surfaces chauffées.
- Utiliser uniquement l'appareil si l'enceinte ronde à saleté et les filtres sont en place.
- Éteindre l'appareil avant de le débrancher.
- Utiliser uniquement des rallonges classées UL ou cUL à 15 ampères. Les rallonges classées à une intensité inférieure risquent de surchauffer. Faire attention de disposer le cordon de manière à ce qu'il ne puisse être tiré ou faire trébucher.
- L'utilisation d'une tension inappropriée risque d'endommager le moteur et de blesser l'utilisateur. La tension appropriée est indiquée sur l'étiquette des caractéristiques électriques.
- Toujours porter des chaussures et des vêtements appropriés pour utiliser ce produit.
- Interdire l'utilisation de l'appareil par des enfants ou toute autre personne n'étant pas familière avec les directives d'utilisation de cet appareil.
- Éloigner les enfants et les animaux de la zone de travail. Ne pas les laisser toucher l'appareil électrique ou le cordon d'alimentation.
- Il faut ranger l'appareil électrique dans un endroit sec lorsqu'il n'est pas utilisé. Les enfants ne devraient pas avoir accès aux appareils rangés.
- Utiliser uniquement des rallonges homologuées UL/cUL ou UL/CSA de 15 ampères.



## **⚠ Avertissements de sécurité supplémentaires concernant les aspirateurs**

- Ne pas utiliser l'appareil électrique près de l'eau. Ne pas immerger l'appareil électrique dans l'eau.
- Éloigner les yeux et le visage de l'appel d'air produit par le moteur.
- Ne pas utiliser d'accessoires endommagés.
- Avant d'utiliser l'appareil électrique, s'assurer que le filtre est bien inséré.
- Ne pas immerger l'appareil électrique dans l'eau.
- Éloigner les yeux et le visage de l'échappement d'air.
- Ne pas transporter l'appareil électrique par la poignée du réservoir.
- Lors de l'utilisation de l'appareil dans un escalier, toujours aspirer du bas vers le haut. Installer l'appareil au moins une marche plus bas que votre position de travail.
- Ne pas se servir de l'appareil sans le bec d'aspiration polyvalent ou sans un autre accessoire convenable en position sur le tube.
- L'aspirateur-traîneau est un appareil très puissant. S'assurer de tenir fermement l'appareil au moment de le démarrer et durant son utilisation.
- Utiliser uniquement des accessoires Black & Decker.

## **Fiche Polarisée**

### **Directives de sécurité : fiches polarisées**

Pour réduire le risque de chocs électriques, le présent appareil comporte une fiche polarisée (une broche est plus large que l'autre). Les connexions polarisées ne peuvent être utilisées que dans un sens. Si la fiche du cordon d'alimentation rentre mal dans la prise, inverser la fiche. Si cela ne fonctionne pas, communiquer avec un électricien professionnel pour qu'il installe une prise appropriée. Ne modifier en aucune façon le cordon d'alimentation de l'aspirateur.

**⚠ AVERTISSEMENT :** toujours débrancher le produit avant d'assembler, d'ouvrir ou de vider le réservoir ou de raccorder ou d'enlever les accessoires.

**⚠ MISE EN GARDE :** tenir l'ouverture d'aspiration exempte de toute obstruction en tout temps; sinon le moteur risque de surchauffer et le produit peut être endommagé.

**⚠ AVERTISSEMENT :** ce produit contient des produits chimiques, notamment le plomb, reconnus par l'État de Californie comme étant cancérigènes et pouvant entraîner des anomalies congénitales et d'autres dangers relatifs à la reproduction. Se laver les mains après toute manipulation.

**⚠ AVERTISSEMENT :** certaines poussières, d'origine domestique, contiennent des produits chimiques reconnus par l'État de la Californie comme étant cancérigènes et pouvant entraîner des anomalies congénitales et d'autres dangers relatifs à la reproduction, notamment l'amiante et le plomb contenus dans les peintures à base de plomb.

**⚠ MISE EN GARDE :** il est possible que l'aspirateur se déplace brusquement si l'orifice d'admission d'air se bloque soudainement.

**IMPORTANT : le lavage des filtres améliore le rendement de l'aspirateur. S'assurer que tous les filtres sont complètement secs avant de les remettre dans l'aspirateur portatif.**

L'appareil électrique est conçu pour une utilisation domestique seulement et non commerciale ou industrielle.

## CONSERVER CES DIRECTIVES

## DESCRIPTION FONCTIONNELLE

L'aspirateur est doté de quelques-uns des accessoires ou de l'ensemble des accessoires présentés ci-dessous.

1. Tuyau
2. Poignée du réservoir
3. Interrupteur pour le nettoyage du filtre
4. Interrupteur marche/arrêt
5. Poignée
6. Bouton pour rembobiner le cordon d'alimentation
7. Bec d'aspiration polyvalent
8. Roues
9. Réservoir
10. Tube-rallonge
11. Commande du débit d'air

En outre, l'appareil est livré muni de certains accessoires ou de l'ensemble des accessoires suivants (fig. A) :

12. Suceur plat
13. Brosse
14. Bec pour surfaces dures (VN2010 / VN2200)
- 15a. Grande brosse à action turbo (VN2200 / VN1400P)
- 15b. Mini brosse à action turbo pour les poils d'animaux (VN1400P)

Le bec pour surfaces dures n'est pas compris avec tous les modèles. Il est offert chez votre détaillant ou centre de réparation Black & Decker (N° cat. WV100).

La brosse à action turbo n'est pas comprise avec tous les modèles. Elle est offerte chez votre détaillant ou centre de réparation Black & Decker (N° cat. WV200).

La mini brosse à action turbo pour poils d'animaux n'est pas comprise avec tous les modèles. Elle est offerte chez votre détaillant ou centre de réparation Black & Decker au 1-800-544-6986.

## ASSEMBLAGE

### Raccordement du tuyau (fig. A)

- Insérer le raccord du tuyau (16) dans l'orifice (17) de l'appareil.
- Aligner les onglets du raccord du tuyau avec les fentes de l'orifice.
- Insérer le tuyau jusqu'à ce que les boutons de dégagement (18) (2 positions) s'enclenchent en position.
- Pour le dégager, enfoncer les boutons de dégagement (18) (2 positions) et tirer sur le tuyau.

### Assemblage du tube-rallonge (fig. A)

- Enfoncer le bouton de verrouillage (19) et insérer l'embout du tuyau (20) dans le tube (10) jusqu'à ce qu'il s'enclenche en position.
- Pour le dégager (10), enfoncer le bouton de verrouillage et retirer l'embout du tuyau (20) hors du tube.

**Assemblage du bec d'aspiration polyvalent (fig. A)**

Le bec d'aspiration polyvalent (7) permet l'aspiration de déchets sur des tapis et des surfaces dures comme des carreaux et du stratifié.

- Enfoncer le bouton de verrouillage (21) et insérer le tube (10) dans le bec (7) jusqu'à ce qu'il s'enclenche en position.
- Pour le dégager (7), enfoncer le bouton de verrouillage (21) et tirer le tube (10) hors du bec (7).

**Modèles VN2010/VN2200 - Assemblage du bec pour surfaces dures (fig. A)**

Le bec pour surfaces dures (14) permet l'aspiration de déchets sur des surfaces en bois et polies.

- Enfoncer le bouton de verrouillage (21) et insérer le tube (10) dans le bec (14) jusqu'à ce qu'il s'enclenche en position.
- Pour le dégager (14), enfoncer le bouton de verrouillage (21) et tirer le tube (10) hors du bec.

**Modèles VN2200/VN1400P - Assemblage de la mini brosse et de la grande brosse à action turbo (fig. A 15a et 15b)**

**⚠ AVERTISSEMENT :** risque de blesser les animaux domestiques. Ne pas utiliser directement sur les animaux.

La brosse à action turbo (15a et 15b) permet d'aspirer sur des tapis à poil coupé.

La brosse est particulièrement pratique pour ramasser les cheveux, les fils et autres objets semblables, de même que pour rafraîchir les tapis dont le poil est écrasé.

- Enfoncer le bouton de verrouillage (21) et insérer le tube (10) dans la brosse (15a et 15b) jusqu'à ce qu'elle s'enclenche en position.
- Pour la dégager, enfoncer le bouton de verrouillage (21) et tirer le tube (10) hors de la brosse (15a et 15b)

**Assemblage des accessoires (fig. A)**

Le suceur plat (12) permet l'aspiration dans les endroits étroits et difficiles d'accès, et la brosse (13) permet d'aspirer sur les meubles, stores, rideaux, fenêtres et escaliers.

Il est possible de fixer les accessoires sur le tuyau (1) et le tube (10).

- Enfoncer le bouton de verrouillage (19 ou 21) et insérer l'accessoire sur l'embout du tuyau (20) ou sur le tube (10).
- Pour le dégager, enfoncer le bouton de verrouillage (19 ou 21) et retirer l'accessoire.

Lorsqu'ils ne sont pas utilisés, il est possible de ranger les accessoires dans le porte-accessoire (22). Le porte-accessoire se range sur l'embout du tuyau en l'enclenchant en position. Pour le dégager, simplement tirer sur ce dernier en direction opposée à l'embout du tuyau. Les accessoires se rangent comme indiqué à la figure A.

## UTILISATION

**Déroulement et rembobinage du cordon**

Utiliser la main ou le pied pour actionner le bouton (6) qui rembobine le cordon d'alimentation.

- Avant d'utiliser l'appareil électrique, dérouler une quantité adéquate de cordon à partir du dos de l'appareil.
- Après l'utilisation de l'appareil, enfoncer le bouton (6) qui rembobine le cordon d'alimentation pour le ranger. Guider le cordon à la main pour éviter qu'il ne se déroule à nouveau. S'assurer que la fiche est bien logée.

**Réglage de la longueur du tube (fig. B)**

Trois pièces composent le tube-rallonge (10).

- Pour déployer les deux pièces d'extrémité (portion basse et portion centrale de la rallonge), enfoncer le bouton inférieur de réglage (23) et déployer complètement le tube jusqu'à ce qu'il s'enclenche en position.
- Il est possible de régler les deux pièces supérieures dans l'un des 11 crans. Pour ce faire, enfoncer le bouton supérieur de réglage (24) et glisser le tube à la longueur voulue. S'assurer que le tube s'enclenche en position.

**Réglage du bec d'aspiration (fig. A)**

- Pour l'aspiration sur les tapis, permuter le sélecteur de revêtement (25) à la position relevée.
- Pour l'aspiration de stratifiés, de carreaux et autres surfaces semblables, permuter le sélecteur de revêtement (25) en position basse.

**Mise en marche et arrêt**

- Utiliser la main ou le pied pour actionner l'interrupteur marche/arrêt (4).
- Pour mettre l'appareil en marche, appuyer sur l'interrupteur marche/arrêt (4).
- Pour arrêter l'appareil, appuyer de nouveau sur l'interrupteur marche/arrêt (4).

**Réglage du débit d'air (fig. B)**

- Faire tourner la commande du débit d'air (11) pour régler le débit d'air. Les positions maximum et minimum sont illustrées.

**Aspiration**

- Lors de l'utilisation de l'appareil électrique, s'assurer que le tuyau soit bien dégagé, déployé et sans obstruction.
- En cas de surchauffe, un dispositif de sécurité se déclenchera et l'appareil s'arrêtera automatiquement.
- Dans ce cas, débrancher l'appareil et le laisser refroidir de 2 à 3 heures.

**Conseils pour une utilisation optimale**

- Lors de l'utilisation de l'aspirateur-traîneau dans des espaces restreints, retirer temporairement le porte-accessoire du tube pour améliorer votre portée.
- Quant aux escaliers, commencer toujours l'aspiration au bas de ceux-ci et monter graduellement. Déposer l'appareil sur le plancher et aspirer les marches jusqu'à mi-chemin, puis transporter l'appareil et installer-le en position stable au moins une marche au-dessous de celle que vous nettoyez. Poursuivre le travail.

**Modèles VN2200/VN1400P - Utilisation des brosses à action turbo (fig. A)**

- Positionner la commande de vitesse à la vitesse la plus élevée. Déplacer le curseur sur le dessus de la brosse (au besoin) pour optimiser la force de succion.
- Déplacer la brosse d'un mouvement de va-et-vient constant. Éviter de laisser la brosse immobile au même endroit pour une période de temps prolongée car une telle pratique risque d'endommager le revêtement.

**Transport de l'appareil (fig. C)**

En cours d'utilisation, transporter l'appareil par la poignée (5).

- Déployer et abaisser la poignée comme indiqué.

**Fixation temporaire du bec d'aspiration polyvalent (fig. D)**

- Utiliser le dispositif d'immobilisation de l'aspirateur pour fixer temporairement le bec d'aspiration polyvalent.

**Rangement de l'appareil (fig. E et F)**

**⚠ AVERTISSEMENT :** pour ranger l'appareil, d'abord l'éteindre puis le débrancher.

- Make sure that the cord is fully rewound.
- S'assurer que le cordon d'alimentation soit complètement enroulé.
- Placer l'appareil électrique en position verticale.
- Enrouler le tuyau autour de l'appareil.
- Insérer le crochet du bec d'aspiration polyvalent (26) dans le logement prévu à cette fin sur l'appareil.
- Enfoncer le tube jusqu'à ce que le dispositif de verrouillage (27) s'insère bien dans le logement (rainure) correspondant de l'appareil tel qu'indiqué. Le dispositif de verrouillage (27) s'enclenche automatiquement.
- Ranger l'appareil électrique dans un endroit sec. Il est possible d'utiliser la poignée du réservoir (2) pour transporter l'appareil électrique.
- Pour dégager et utiliser le tube, enfoncer le levier du dispositif de verrouillage (27) au dos du tube et tirer sur celui-ci en direction opposée à l'appareil. Le relever pour le dégager, puis dégager le bec des rainures de fixation. appliance as shown. The locking device (27) engages automatically.

# ENTRETIEN

## IMPORTANT : DÉBRANCHER L'ASPIRATEUR AVANT D'EFFECTUER TOUT

### ENTRETIEN.

Utiliser uniquement un savon doux et un chiffon humide pour nettoyer l'aspirateur. Ne jamais laisser de liquide pénétrer dans l'aspirateur et n'immerger aucune de ses parties dans un liquide.

### Remarque : s'assurer que l'aspirateur est complètement sec avant de l'utiliser.

Votre outil Black & Decker a été conçu pour fonctionner longtemps et demander un minimum d'entretien. Un fonctionnement satisfaisant continu dépend du bon entretien et du nettoyage régulier de l'outil.

### Nettoyage du filtre

L'appareil comporte une fonction de nettoyage du filtre.

- Après chaque utilisation, éteindre l'appareil sans toutefois le débrancher de la prise-secteur.
- S'assurer que le réservoir est solidement fixé.
- Enfoncer l'interrupteur pour le nettoyage du filtre (3). Le cycle de nettoyage durera près de 10 secondes puis il s'arrêtera automatiquement. Durant cette période, le système autonettoyant nettoie le filtre.
- Retirer maintenant la fiche de la prise-secteur.

Ce nettoyage optimisera le rendement de l'appareil lors de la prochaine utilisation.

**Remarque** : l'appareil est conçu de sorte que l'aspirateur ne fonctionne pas au cours du cycle de nettoyage du filtre. Si l'aspirateur est mis en marche au cours du cycle de nettoyage du filtre, celui-ci cessera.

**⚠ AVERTISSEMENT** : débrancher l'appareil avant tout entretien ou nettoyage.

- Nettoyer régulièrement les orifices de ventilation de l'appareil à l'aide d'une brosse douce ou d'un chiffon sec.
- Nettoyer régulièrement le boîtier du moteur à l'aide d'un chiffon humide. Ne pas utiliser de produits nettoyants abrasifs ou à base de solvants.

### Modèles VN2200/VN1400P - Nettoyage de la grande brosse à action turbo (fig. G)

- Retirer tous les cheveux ou fils pris dans la brosse (28). Au besoin, utiliser une paire de ciseaux.
- Retirer le couvercle (29) pour désobstruer la turbine à air (30) et retirer tous corps étrangers. Remettre le couvercle.

### Vidange du réservoir (fig. H et I)

Il faut vider le réservoir (9) lorsque le niveau de saleté atteint le repère maximum inscrit sur le contenant.

- Retirer le réservoir (9) de l'appareil. Pour ce faire, enfoncer les deux boutons de dégagement (31) et soulever le réservoir hors de l'appareil.
- Enfoncer le loquet de la porte inférieure (32) pour retirer la saleté.
- Vider le réservoir au besoin.
- Nettoyer le filtre comme décrit plus loin.
- Refermer la porte inférieure et s'assurer qu'elle s'enclenche correctement.
- Réinsérer le réservoir (9) dans l'appareil. S'assurer que les boutons de dégagement (31) s'enclenchent en position.
- Enfoncer l'interrupteur pour le nettoyage du filtre (3). Le cycle de nettoyage durera près de 10 secondes puis il s'arrêtera automatiquement. Ce nettoyage optimisera le rendement de l'appareil lors de la prochaine utilisation.

**Nettoyage**

**⚠ AVERTISSEMENT :** avant tout nettoyage et entretien, éteindre l'appareil électrique et le débrancher.

- Passer un chiffon humide sur l'appareil de temps en temps. Ne pas utiliser de produits nettoyants abrasifs ou à base de solvants. Ne pas immerger l'appareil électrique dans l'eau.

**Nettoyage des filtres du réservoir (fig. H - K)**

Les filtres du réservoir empêchent la poussière et la saleté de pénétrer le boîtier du moteur. Les filtres sont réutilisables et doivent être nettoyés régulièrement.

- Retirer le réservoir de l'appareil (fig. H).
- Enfoncer le loquet de la porte inférieure (32) pour dégager la porte inférieure (fig. I).
- Retirer le pré-filtre (33) du réservoir (9) (fig. J) en le tournant dans le sens antihoraire.
- Dégager le filtre (34) du porte-filtre (fig. K).

**⚠ AVERTISSEMENT :** ne pas utiliser de brosse ou d'air comprimé pour nettoyer le filtre.

- Selon l'état du filtre, en rincer la partie externe à l'eau. Laisser le filtre sécher durant 24 heures avant de le remettre en position.

**⚠ AVERTISSEMENT :** ne pas laver l'intérieur du filtre.

- Remplacer le filtre.
- Remettre le préfiltre en position.
- Refermer la porte inférieure.
- Réinsérer le réservoir dans l'appareil.

**Nettoyage du filtre moteur (fig. H et L)**

Le filtre moteur (35) empêche la pénétration des particules et des corps étrangers plus gros dans le boîtier du moteur lorsque le réservoir n'est pas en position.

Le filtre (35) peut être utilisé de nouveau et doit être nettoyé sur une base régulière.

- Retirer le réservoir de l'appareil (fig. H).
- Retirer le filtre (35) (fig. L).
- Brosser le filtre pour enlever la poussière en surface.
- Remettre le filtre (35) en position.
- Réinsérer le réservoir dans l'appareil.

## Pièces de rechange

**Remplacement des filtres**

Il faut remplacer le filtre du réservoir (34) s'il est endommagé ou ne fonctionne pas correctement. Des filtres de rechange sont disponibles auprès du détaillant Black & Decker local (n° de cat. VLF50).

Pour des renseignements au sujet des filtres de rechange, composer le **1-800-544-6986**.

**Remplacement du filtre du réservoir**

- Se reporter aux directives ci-dessus pour remplacer le filtre (34).

**Remplacement du filtre externe (fig. M et N)**

L'appareil est doté d'un filtre permanent mais s'il faut le remplacer, procéder comme suit :

- Retirer les deux vis (36)
- Retirer le couvercle (37) avec un outil afin de le relever.
- Tirer sur le vieux filtre (38) pour le dégager.
- Insérer le filtre neuf comme indiqué.
- Remettre le couvercle et visser les deux vis (36).

**IMPORTANT : DÉBRANCHER L'ASPIRATEUR AVANT D'EFFECTUER TOUT ENTRETIEN.**

Utiliser uniquement un savon doux et un chiffon humide pour nettoyer l'aspirateur. Ne jamais laisser de liquide pénétrer dans l'aspirateur et n'immerger aucune de ses parties dans un liquide.

**Remarque : s'assurer que l'aspirateur est complètement sec avant de l'utiliser.**

Votre appareil Black & Decker a été conçu pour fonctionner longtemps et demander un minimum d'entretien. Un fonctionnement satisfaisant continu dépend du bon entretien et du nettoyage régulier de l'appareil.

**⚠ AVERTISSEMENT :** débrancher l'appareil avant tout entretien ou nettoyage.

- Nettoyer régulièrement les orifices de ventilation de l'appareil à l'aide d'une brosse douce ou d'un chiffon sec.
  - Nettoyer régulièrement le boîtier du moteur à l'aide d'un chiffon humide.
- Ne pas utiliser de produits nettoyants abrasifs ou à base de solvants.

**DÉPANNAGE****Problème**

- L'appareil refuse de démarrer.

**Cause possible**

- Cordon d'alimentation non branché.
- Le fusible du circuit est grillé.
- Le disjoncteur est déclenché.
- Le cordon d'alimentation ou la prise de courant est endommagé(e).

**Solution possible**

- Brancher l'outil dans une prise qui fonctionne.
- Remplacer le fusible du circuit. (Si le produit fait griller de façon répétée le fusible du circuit, arrêter immédiatement d'utiliser le produit et le faire réparer dans un centre de réparation Black & Decker ou un centre de réparation autorisé.)
- Remettre le disjoncteur à zéro. (Si le produit fait déclencher de façon répétée le disjoncteur, arrêter immédiatement d'utiliser le produit et le faire réparer dans un centre de réparation Black & Decker ou un centre de réparation autorisé.)
- Faire remplacer le cordon ou l'interrupteur au centre de réparation Black & Decker ou à un centre de réparation autorisé.

Pour obtenir de l'aide avec l'outil, consulter notre site Web [www.blackanddecker.com](http://www.blackanddecker.com) pour l'emplacement du centre de réparation le plus près ou communiquer avec l'assistance **BLACK & DECKER** au **1-800-544-6986**.

**ACCESSOIRES**

Les accessoires recommandés pouvant être utilisés avec l'outil sont disponibles auprès de votre distributeur local ou centre de réparation autorisé. Pour tout renseignement concernant les accessoires, composer le : **1 800 544-6986**.

**⚠ AVERTISSEMENT :** l'utilisation de tout accessoire non recommandé avec cet outil pourrait s'avérer dangereuse.

**INFORMATION SUR LES RÉPARATIONS**

Tous les centres de réparation Black & Decker sont dotés de personnel qualifié en matière d'outillage électrique; ils sont donc en mesure d'offrir à leur clientèle un service efficace et fiable. Que ce soit pour un avis technique, une réparation ou des pièces de rechange authentiques installées en usine, communiquer avec l'établissement Black & Decker le plus près de chez vous. Pour trouver l'établissement de réparation de votre région, consulter le répertoire des Pages jaunes à la rubrique « Outils électriques » ou composer le numéro suivant : **1-800-544-6986** ou consulter le site **www.blackanddecker.com**

**GARANTIE COMPLÈTE DE DEUX ANS POUR UNE UTILISATION DOMESTIQUE**

Black & Decker (É.-U.) Inc. garantit ce produit pour une durée de deux ans contre tout défaut de matériau ou de fabrication. Le produit défectueux sera remplacé ou réparé sans frais de l'une des deux façons suivantes :

La première façon consiste en un simple échange chez le détaillant qui l'a vendu (pourvu qu'il s'agisse d'un détaillant participant). Tout retour doit se faire durant la période correspondant à la politique d'échange du détaillant (habituellement, de 30 à 90 jours après l'achat). Une preuve d'achat peut être requise. Vérifier auprès du détaillant pour connaître sa politique concernant les retours hors de la période définie pour les échanges. La deuxième option est d'apporter ou d'envoyer le produit (transport payé d'avance) à un centre de réparation autorisé ou à un centre de réparation de Black & Decker pour faire réparer ou échanger le produit, à notre discrétion. Une preuve d'achat peut être requise. Les centres Black & Decker et les centres de service autorisés sont répertoriés dans les pages jaunes, sous la rubrique « Outils électriques ».

Cette garantie ne s'applique pas aux accessoires. Cette garantie vous accorde des droits légaux spécifiques et vous pourriez avoir d'autres droits qui varient d'un État ou d'une province à l'autre. Pour toute question, communiquer avec le directeur du centre de réparation Black & Decker le plus près de chez vous. Ce produit n'est pas destiné à un usage commercial.

**REPLACEMENT GRATUIT DES ÉTIQUETTES D'AVERTISSEMENT :** si les étiquettes d'avertissement deviennent illisibles ou sont manquantes, composer le **1-800-544-6986** pour en obtenir le remplacement gratuit.

Imported by / Importé par  
Black & Decker Canada Inc.  
100 Central Ave.  
Brockville (Ontario) K6V 5W6

Voir la rubrique "Outils  
électriques"  
des Pages Jaunes  
pour le service et les ventes.







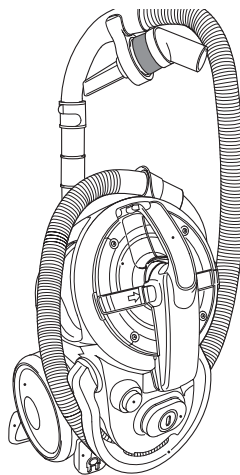
## ASPIRADORA CON DEPÓSITO

# MANUAL DE INSTRUCCIONES

Catálogo N°  
VN2200, VN1400P

### INFORMACIÓN CLAVE QUE USTED DEBE CONOCER

- Su aspiradora Black & Decker ha sido diseñada para aspirar sustancias secas. Este producto está diseñado para uso doméstico solamente.



**Gracias por elegir Black & Decker!**  
**Visite**  
**[www.BlackandDecker.com/NewOwner](http://www.BlackandDecker.com/NewOwner)**  
**para registrar su nuevo producto.**

### LEA EL MANUAL ANTES DE DEVOLVER ESTE PRODUCTO POR CUALQUIER MOTIVO:

Si tiene una consulta o algún inconveniente con su producto Black & Decker, visite

**[HTTP://WWW.BLACKANDDECKER.COM/INSTANTANSWERS](http://www.blackanddecker.com/instantanswers)**

para obtener respuestas instantáneas las 24 horas del día.

Si no encuentra la respuesta o no tiene acceso a Internet, llame al 1-800-544-6986 de lunes a viernes de 8 a.m. a 5 p.m. hora del Este para hablar con un agente.

Cuando llame, tenga a mano el número de catálogo.

**CONSERVE ESTE MANUAL PARA FUTURAS CONSULTAS.**

# MEDIDAS DE SEGURIDAD IMPORTANTES

Cuando utilice aparatos eléctricos, siempre debe seguir algunas precauciones básicas de seguridad, entre ellas:

**POR FAVOR, LEA ATENTAMENTE PARA ENTENDER TODAS LAS INSTRUCCIONES ANTES DE UTILIZAR LA UNIDAD.**

## PAUTAS DE SEGURIDAD/DEFINICIONES

Es importante que lea y comprenda este manual. La información que contiene se relaciona con la protección de SU SEGURIDAD y la PREVENCIÓN DE PROBLEMAS. Los símbolos que siguen se utilizan para ayudarlo a reconocer esta información.

**⚠ PELIGRO:** indica una situación de peligro inminente que, si no se evita, provocará la muerte o lesiones graves.

**⚠ ADVERTENCIA:** indica una situación de peligro potencial que, si no se evita, provocará la muerte o lesiones graves.

**⚠ PRECAUCIÓN:** indica una situación de peligro potencial que, si no se evita, provocará lesiones leves o moderadas.

**PRECAUCIÓN:** utilizado sin el símbolo de alerta de seguridad indica una situación de peligro potencial que, si no se evita, puede provocar daños en la propiedad.

**⚠ ADVERTENCIA:** puede provocar lesiones en las mascotas. No utilizar directamente sobre los animales.

**⚠ ADVERTENCIA:** Para disminuir el riesgo de incendio, descarga eléctrica o lesión:

- El uso previsto se describe en este manual. El uso de cualquier accesorio o anexo, o la realización de cualquier operación con este aparato que no sean los recomendados en este manual de instrucciones puede presentar un riesgo de lesiones personales.
- Asegúrese de que el aparato esté apagado antes de conectarlo o desconectarlo de la fuente de alimentación.
- Siempre preste atención al utilizar el aparato.
- No lo utilice al aire libre.
- Si el cable de alimentación se daña durante el uso, desconecte el aparato de la fuente de alimentación inmediatamente. No toque el cable de alimentación antes de desconectarlo de la fuente de alimentación.
- Desconecte el aparato de la fuente de alimentación cuando no esté en uso, antes de ajustar o retirar piezas y antes de realizar tareas de limpieza.
- Antes de utilizar el aparato, revíselo para controlar si hay piezas dañadas o defectuosas. Verifique si hay piezas rotas, interruptores dañados u otras condiciones que puedan afectar su funcionamiento.
- No utilice el aparato si hay piezas dañadas o defectuosas.
- Las piezas dañadas o defectuosas deben ser reparadas o reemplazadas por un agente de reparaciones autorizado.
- Antes de utilizar el aparato, verifique que el cable de alimentación no tenga signos de daños, envejecimiento o desgaste.
- No utilice el aparato si el cable de alimentación o el enchufe de red están dañados o defectuosos.
- Si el cable de alimentación o el enchufe de red están dañados, deben ser reparados por un agente de reparaciones autorizado para evitar riesgos. No corte el cable de alimentación ni intente repararlo por su cuenta.
- Nunca intente retirar o reemplazar ninguna pieza, salvo las que se especifican en este manual.

- No abandone el aparato cuando esté enchufado. Desenchúfelo del tomacorriente cuando no lo utilice y antes de realizar tareas de mantenimiento.
- Utilice en interiores solamente. No lo use en superficies húmedas.
- No lo guarde al aire libre o en superficies húmedas. Para evitar tropezones, almacene la aspiradora después de cada uso.
- Debe supervisar muy detenidamente cualquier aparato que se utilice cerca de los niños. No permita que se utilice como juguete.
- Úsela solamente de la manera que se describe en este manual. Utilice únicamente accesorios recomendados por el fabricante.
- No opere aparatos que posean un cable o enchufe dañados, o después de un mal funcionamiento, aparatos que se dejan a la intemperie, se dejaron caer en el agua o que están dañados de alguna forma. Devuelva el aparato a cualquier instalación de mantenimiento autorizada.
- No arrastre ni transporte el aparato del cable, no utilice el cable como mango, no cierre una puerta apretando el cable o tire de él cerca de bordes o esquinas afilados, no opere al aparato cuando éste esté sobre el cable. Mantenga el cable alejado de superficies calientes.
- No desenchufe halando del cable. Para desenchufarla, tome el enchufe, no el cable.
- No toque el enchufe ni el aparato con las manos mojadas.
- No coloque objetos en los orificios de la unidad. No use la unidad con orificios bloqueados, manténgalos libres de polvo, pelusas, pelos y cualquier objeto que pueda reducir el flujo de aire.
- Mantenga el cabello, la ropa holgada, los dedos y todas las partes del cuerpo lejos de los orificios, las piezas en movimiento y el cepillo giratorio.
- Mantenga el extremo de la manguera, las varillas y demás orificios lejos de la cara y el cuerpo.
- Tenga especial precaución al limpiar las escaleras.
- Mantenga el área de trabajo bien iluminada.
- No utilice la aspiradora en aparatos eléctricos cuando estén enchufados.
- No utilice este producto para recoger objetos filosos, desechos metálicos u objetos grandes y sólidos (por ejemplo, rocas o piedritas) ya que esto dañará el producto.
- No lo utilice para recoger líquidos, sustancias tóxicas, líquidos inflamables o combustibles como gasolina, ni lo use en áreas en las que estas sustancias puedan estar presentes.
- No coloque el producto en agua u otros líquidos, ni permita que caiga sobre ellos. En caso de que el producto se moje, quite de inmediato el enchufe del tomacorriente eléctrico. Evite el contacto con el agua.
- No utilice este producto si está sobre una superficie con agua o húmeda.
- No utilice la aspiradora sobre materiales encendidos o humeantes como colillas de cigarrillos encendidas, fósforos o cenizas calientes.
- No utilice en o cerca de superficies calientes. Mantenga el cable alejado de superficies calientes.
- No utilice sin haber colocado la taza para suciedad y los filtros.
- Apague el interruptor antes de desenchufar.
- Use solamente los cables prolongadores de 15 amperios según calificación UL o cUL. Los cables prolongadores que tienen una calificación de amperaje menor pueden sobrecalentarse. Debe tener cuidado al colocar el cable; éste debe quedar de manera que nadie pueda tirar de él o tropezarse.
- Utilizar un voltaje inadecuado puede dañar el motor y posiblemente provoque lesiones en la persona que está usando la unidad. El voltaje correcto se enumera en la etiqueta de calificación.
- Siempre utilice los zapatos y la vestimenta adecuados al operar este producto.
- No permita que los niños o cualquier persona que no esté familiarizada con las instrucciones utilicen el aparato.
- No permita que los niños o animales se acerquen al área de trabajo o toquen el aparato o el cable de alimentación.

- Cuando no esté en uso, el aparato debe guardarse en un lugar seco. Los niños no deben tener acceso a los aparatos guardados.
- Use solamente los cables prolongadores de 15 amperios según calificación UL/cUL o UL/CSA.

## ⚠ Advertencias de seguridad adicionales para aspiradoras

- No utilice el aparato cerca del agua. No lo sumerja en agua.
- Mantenga el motor alejado de los ojos y la cara.
- No utilice accesorios dañados.
- Antes de utilizar el aparato, asegúrese siempre de que el filtro esté asentado correctamente.
- No lo sumerja en agua.
- Mantenga el escape de aire alejado de los ojos y la cara.
- No utilice el mango del contenedor para transportar el aparato.
- Al utilizar el aparato en escaleras, siempre realice el trabajo de abajo hacia arriba y mantenga el aparato al menos un escalón por debajo de su posición.
- No utilice el aparato sin el cabezal de succión para superficies múltiples u otro accesorio adecuado ensamblados al tubo.
- La aspiradora con depósito es una unidad muy potente. Asegúrese de sostenerla con firmeza al encenderla y durante su uso.
- Utilice solamente accesorios Black & Decker.

## Enchufe Polarizado

### Instrucciones de seguridad: Enchufes polarizados

Para disminuir el riesgo de descargas eléctricas, este equipo posee un enchufe polarizado (una hoja es más amplia que la otra). Las conexiones polarizadas encajarán entre sí solamente de una manera. Si el enchufe del cable de alimentación no encaja totalmente en el receptáculo, invierta el enchufe. Si aun así no encaje bien en el tomacorriente, comuníquese con un electricista calificado para instalar el tomacorriente adecuado. No cambie el cable de alimentación de la aspiradora de ninguna manera.

**⚠ ADVERTENCIA:** Siempre desenchufe el producto del tomacorriente eléctrico antes de montar, abrir o vaciar el contenedor, o conectar/desconectar los accesorios.

**⚠ PRECAUCIÓN:** Mantenga el orificio de succión de entrada libre de obstrucciones en todo momento. De lo contrario, el motor se sobrecalentará y se dañará el producto.

**⚠ ADVERTENCIA:** Este producto contiene sustancias químicas, incluido el plomo, reconocidas por el Estado de California como causantes de cáncer, defectos de nacimiento u otros problemas reproductivos. Lávese las manos después de utilizarlo.

**⚠ ADVERTENCIA:** Algunos tipos de polvo doméstico contienen sustancias químicas, como el amianto y el plomo de las pinturas de base plomo, reconocidas por el Estado de California como causantes de cáncer, defectos de nacimiento u otros problemas reproductivos.

**⚠ PRECAUCIÓN:** La aspiradora puede desplazarse imprevistamente si la entrada de aire se bloquea repentinamente.

**IMPORTANTE: Lavar los filtros mejora el rendimiento de la aspiradora. Asegúrese de que todos los filtros estén completamente secos antes de introducirlos nuevamente en la aspiradora.**

**Este aparato está diseñado para uso doméstico solamente y no para uso comercial o industrial.**

# CONSERVE ESTAS INSTRUCCIONES

## Descripción de las funciones

Este aparato incluye algunas o la totalidad de las siguientes características.

1. Manguera
2. Mango del contenedor
3. Interruptor de limpieza del filtro
4. Interruptor de encendido/apagado
5. Mango
6. Botón de rebobinado del cable
7. Cabezal de succión para superficies múltiples
8. Ruedas
9. Contenedor
10. Tubo de extensión
11. Interruptor de control del flujo de aire

Además, este aparato viene con algunos o la totalidad de los siguientes accesorios (fig. A):

12. Herramienta para ranuras
13. Herramienta con cepillos
14. Cabezal para superficies duras (**VN2010 / VN2200**)
- 15a. Turbocepillo grande (**VN2200 / VN1400P**)
- 15b. Turbocepillo pequeño para pelos de mascotas (**VN1400P**)

El cabezal para superficies duras no se incluye en todos los modelos. Puede comprar este accesorio en su distribuidor local o centro de mantenimiento de Black & Decker (n.º de catálogo **WV100**).

El turbocepillo no se incluye en todos los modelos. Puede comprar este accesorio en su distribuidor local o centro de mantenimiento de Black & Decker (n.º de catálogo **WV200**).

El turbocepillo pequeño para pelos de mascotas no se incluye en todos los modelos. Puede comprar este accesorio en su distribuidor local o centro de mantenimiento de Black & Decker, llamando al **1-800-544-6986**.

## ENSAMBLAJE

### Conexión de la manguera (fig. A)

- Inserte el conector para manguera (16) en el conducto de entrada (17) del aparato.
- Alinee las lengüetas del conector para manguera con las ranuras del conducto de entrada.
- Deslice la manguera hasta que los botones de liberación (18) (2 posiciones) se encajen en su lugar.
- Para desconectar la manguera, presione los botones de liberación (18) (2 posiciones) y hale la manguera hacia afuera.

### Montaje del tubo de extensión (fig. A)

- Presione el botón de bloqueo (19) y deslice la boquilla de la manguera (20) dentro del tubo (10) hasta que se ajuste en su lugar.
- Para retirar el tubo (10), presione el botón de bloqueo y hale la boquilla de la manguera (20) hacia afuera del tubo.

**Montaje del cabezal de succión para superficies múltiples (fig. A)**

El cabezal de succión para superficies múltiples (7) permite aspirar sobre alfombras y superficies duras (por ejemplo, laminados y mosaicos).

- Presione el botón de bloqueo (21) y deslice el tubo (10) dentro del cabezal (7) hasta que se ajuste en su lugar.
- Para retirar el cabezal (7), presione el botón de bloqueo (21) y hale del tubo (10) hacia afuera del cabezal (7).

**VN2010/VN2200: Montaje del cabezal para superficies duras (fig. A)**

El cabezal para superficies duras (14) permite aspirar sobre superficies pulidas y de madera.

- Presione el botón de bloqueo (21) y deslice el tubo (10) dentro del cabezal (14) hasta que se ajuste en su lugar.
- Para retirar el cabezal (14), presione el botón de bloqueo (21) y hale del tubo (10) hacia afuera del cabezal.

**VN2200/VN1400P: Montaje de los turbocepillos pequeño y grande (fig. A 15a y 15b)**

**⚠ ADVERTENCIA:** puede provocar lesiones en las mascotas. No utilizar directamente sobre los animales.

El turbocepillo (15a y 15b) permite aspirar sobre alfombras de pelo cortado.

El cepillo es útil especialmente para recoger pelos, hilos, etc., además de reacondicionar el pelo de alfombras muy transitadas.

- Presione el botón de bloqueo (21) y deslice el tubo (10) dentro del cabezal (15a y 15b) hasta que se ajuste en su lugar.
- Para retirar el cabezal (15a y 15b), presione el botón de bloqueo (21) y hale el tubo (10) hacia afuera del cabezal.

**Montaje de los accesorios (fig. A)**

La herramienta para ranuras (12) permite aspirar en lugares estrechos y de difícil acceso. La herramienta con cepillos (13) permite aspirar sobre muebles, persianas, cortinas, ventanas y escaleras.

Los accesorios pueden montarse tanto sobre la manguera (1) como sobre el tubo (10).

- Presione el botón de bloqueo (19 o 21) y deslice el accesorio sobre la boquilla de la manguera (20) o el tubo (10).
- Para retirar un accesorio, presione el botón de bloqueo (19 o 21) y extraiga el accesorio.

Cuando los accesorios no se utilizan, pueden guardarse en el soporte para accesorios (22). El soporte para accesorios se guarda en la boquilla de la manguera. Está sujeto en posición; para retirarlo, hágalo hacia afuera de la boquilla de la manguera. Las herramientas se guardan como se muestra en la figura A.

## Uso

**Desenrollar y rebobinar el cable**

El botón de rebobinado (6) puede operarse manualmente o con el pie.

- Antes de utilizar la unidad, hale una longitud suficiente de cable de la parte posterior del aparato.
- Luego de utilizarlo, presione el botón de rebobinado del cable (6) para guardarlo nuevamente en su lugar. Guíe el cable manualmente para asegurarse de que no gire. Asegúrese de que el enchufe esté ubicado correctamente.

**Ajuste de la longitud del tubo (fig. B)**

El tubo de extensión (10) se compone de tres piezas.

- Para extender las piezas media e inferior, presione el botón de ajuste inferior (23) y deslice el tubo completamente hasta que se ajuste en su lugar.
- Las dos piezas superiores pueden ajustarse en 11 pasos. Presione la perilla del botón de ajuste superior (24) y deslice el tubo hasta la longitud deseada. Asegúrese de que el tubo se ajuste en su lugar.

**Ajuste del cabezal de succión (fig. A)**

- Para aspirar sobre alfombras, coloque el selector de superficies de piso (25) en la posición superior.
- Para aspirar sobre laminados, mosaicos, etc., coloque el selector de superficies de piso (25) en la posición inferior.

**Encendido y apagado**

- El interruptor de encendido/apagado (4) puede operarse manualmente o con el pie.
- Para encender el aparato, presione el interruptor de encendido/apagado (4).
- Para apagar el aparato, presione el interruptor de encendido/apagado (4) nuevamente.

**Ajuste del flujo de aire (fig. B)**

- Gire el interruptor de control del flujo de aire (11) para ajustar el flujo de aire al nivel deseado. Se muestran las posiciones máxima y mínima.

**Aspiración**

- Al operar el aparato, asegúrese de que la manguera no esté atascada, doblada ni bloqueada.
- En caso de sobrecalentamiento, se producirá un corte y el aparato se detendrá automáticamente.
- Si el aparato deja de funcionar, desenchúfelo y deje que se enfríe durante 2 o 3 horas.

**Consejos para un uso óptimo**

- Cuando trabaje en espacios estrechos, retire temporalmente el soporte para accesorios del tubo para tener mayor alcance.
- Al aspirar sobre escaleras, comience siempre en la parte inferior y ascienda. Coloque el aparato en el suelo y aspire la escalera hasta la mitad. Luego transporte el aparato hacia una posición estable que esté al menos un escalón por debajo de su posición y aspire la parte superior de la escalera.

**VN2200/VN1400P: Uso de los turbocepillos (fig. A)**

- Tenga la precaución de que el interruptor de control de velocidad esté en la posición más alta. Mueva el interruptor deslizante que se encuentra sobre el cepillo según sea necesario para optimizar la fuerza de succión.
- Mueva el cepillo hacia adelante y hacia atrás de forma continua. No mantenga el cepillo en el mismo lugar por mucho tiempo, ya que esto podría dañar la superficie.

**Transporte del aparato (fig. C)**

Mientras está en uso, el aparato puede transportarse utilizando el mango (5).

- Inclíne el mango hasta que esté en posición, como se muestra.

**Estacionamiento temporal del cabezal de succión para superficies múltiples (fig. D)**

- Utilice la posición de estacionamiento para estacionar temporalmente el cabezal de succión para superficies múltiples.

**Almacenamiento del aparato (fig. E y F)**

**⚠ ADVERTENCIA:** Al guardar el aparato, apáguelo y desenchúfelo.

- Asegúrese de que el cable esté totalmente rebobinado.
- Coloque el aparato en posición vertical.
- Enrosque la manguera alrededor del aparato.
- Inserte el gancho del cabezal de succión para superficies múltiples (26) en la cavidad del aparato.
- Empuje el tubo hasta que el dispositivo de bloqueo (27) se inserte en la cavidad correspondiente del aparato, como se muestra. El dispositivo de bloqueo (27) se traba automáticamente.
- Guarde el aparato en un lugar seco. El aparato puede transportarse por el mango del contenedor (2).

- Para sacar el tubo del aparato para utilizarlo, presione la palanca del dispositivo de bloqueo (27) que se encuentra en la parte posterior del tubo, hale del tubo para extraerlo de la unidad y levántelo junto con el cabezal para sacarlos de las ranuras de estacionamiento.

## MANTENIMIENTO

### **IMPORTANTE: DESENCHUFE LA ASPIRADORA ANTES DE REALIZAR EL MANTENIMIENTO.**

Use sólo jabón suave y un paño húmedo para limpiar la aspiradora. Nunca permita que penetre líquido dentro de la aspiradora ni sumerja las piezas en un líquido.

**Nota: Asegúrese de que la aspiradora esté completamente seca antes de utilizarla.**

Su herramienta de Black & Decker ha sido diseñada para funcionar durante un largo período con un mínimo mantenimiento. El funcionamiento continuo satisfactorio depende del cuidado adecuado de la herramienta y de una limpieza periódica.

#### **Limpieza del filtro**

El aparato cuenta con un dispositivo de limpieza del filtro.

- Luego de cada uso, apague el aparato pero no lo desenchufe de la red.
- Asegúrese de que el contenedor esté bien colocado en su lugar.
- Presione el interruptor de limpieza del filtro (3) e inicie el ciclo de limpieza del filtro, que durará 10 segundos; después de esto, se apagará automáticamente. Durante los 10 segundos, el sistema automático de limpieza limpia el filtro.
- Ahora puede retirar el enchufe del tomacorriente.

Esto garantizará que la próxima vez que use el aparato, su rendimiento será óptimo.

**Nota:** El aparato está diseñado para evitar la aspiración durante el ciclo de limpieza del filtro. Si la aspiradora se enciende durante el ciclo de limpieza del filtro, éste se detendrá.

**⚠ ADVERTENCIA:** Desenchufe el aparato antes de realizar tareas de mantenimiento o limpieza.

- Limpie frecuentemente las ranuras de ventilación del aparato con un cepillo suave o un paño seco.
- Limpie frecuentemente la cubierta del motor con un paño húmedo. No utilice limpiadores abrasivos ni a base de solventes.

#### **VN2200/VN1400P: Limpieza del turbocepillo grande (fig. G)**

- Retire los pelos o hilos acumulados en el cepillo (28). Utilice una tijera, de ser necesario.
- Retire la cubierta (29) para quitar los objetos extraños que bloqueen la turbina de aire (30). Vuelva a colocar la cubierta.

#### **Vaciar el contenedor (fig. H y I)**

El contenedor (9) debe vaciarse cuando los residuos se acumulan hasta la marca máxima indicada en el depósito.

Para retirar el contenedor (9) del aparato, presione los dos botones de liberación (31) y levante el contenedor para extraerlo del aparato.

- Presione el pestillo de la puerta inferior (32) para liberar los residuos.
- Vacíe el contenedor según sea necesario.
- Limpie el filtro como se describe a continuación.
- Cierre la puerta inferior y asegúrese de que encaje en su lugar.
- Vuelva a colocar el contenedor (9) en el aparato y asegúrese de que los botones de liberación (31) se ajusten en posición.
- Presione el interruptor de limpieza del filtro (3) e inicie el ciclo de limpieza del filtro, que durará 10 segundos; después de esto, se apagará automáticamente. Esto garantizará que la próxima vez que use el aparato, su rendimiento será óptimo.



**Limpieza**

**⚠ ADVERTENCIA:** Antes de realizar tareas de limpieza y mantenimiento, apague y desenchufe el aparato.

- De vez en cuando, limpie el aparato con un paño húmedo. No utilice limpiadores abrasivos ni a base de solventes. No lo sumerja en agua.

**Limpieza de los filtros del contenedor (fig. H - K)**

Los filtros del contenedor evitan que el polvo y los residuos ingresen en la cubierta del motor. Los filtros son reutilizables y deben limpiarse periódicamente.

- Retire el contenedor del aparato (fig. H).
- Presione el pestillo de la puerta inferior (32) para liberarla (fig. I).
- Retire el prefiltro (33) del contenedor (9) (fig. J) girando en sentido contrario a las agujas del reloj.
- Hale del filtro (34) para extraerlo del sujetador del filtro (fig. K).

**⚠ ADVERTENCIA:** No utilice un cepillo o aire comprimido para limpiar el filtro.

- De acuerdo con su condición, enjuague la parte externa del filtro con agua. Deje secar el filtro durante 24 horas antes de reinsertarlo.

**⚠ ADVERTENCIA:** No lave el interior del filtro.

- Vuelva a colocar el filtro.
- Reinstale el prefiltro.
- Cierre la puerta inferior.
- Reinserte el contenedor en el aparato.

**Limpieza del filtro del motor (fig. H y L)**

El filtro del motor (35) evita que las partículas y objetos más grandes ingresen en la cubierta del motor cuando se extrae el contenedor.

El filtro (35) es reutilizable y debe limpiarse periódicamente.

- Retire el contenedor del aparato (fig. H).
- Extraiga el filtro (35) (fig. L).
- Cepille el filtro para quitar el polvo restante.
- Vuelva a colocar el filtro (35).
- Reinserte el contenedor en el aparato.

## Piezas de repuesto

**Reemplazo de los filtros**

Si el filtro del contenedor (34) está dañado o no funciona adecuadamente, debe reemplazarse. Puede encontrar los filtros de reemplazo en su comercio Black & Decker (Nº. de catálogo VLF50).

Para obtener información sobre los filtros de repuesto, llame al **1-800-544-6986**.

**Reemplazo del filtro del contenedor**

- Siga el procedimiento anterior para reemplazar el filtro (34).

**Reemplazo del filtro del conducto de salida (fig. M y N)**

El aparato viene con un filtro de por vida, pero en caso que deba reemplazarlo, realice el siguiente procedimiento:

- Retire los dos tornillos (36)
- Retire la cubierta (37) utilizando una herramienta para levantarla.
- Hale del filtro usado (38) para extraerlo.
- Inserte el filtro nuevo como se muestra.
- Vuelva a colocar la cubierta con los dos tornillos (36).

**IMPORTANTE: DESENCHUFE LA ASPIRADORA ANTES DE REALIZAR EL MANTENIMIENTO.**

Use sólo jabón suave y un paño húmedo para limpiar la aspiradora. Nunca permita que penetre líquido dentro de la aspiradora ni sumerja las piezas en un líquido.

**Nota: Asegúrese de que la aspiradora esté completamente seca antes de utilizarla.**

Su aparato de Black & Decker ha sido diseñado para funcionar durante un largo período con un mínimo mantenimiento. El funcionamiento continuo satisfactorio depende del cuidado adecuado del aparato y de una limpieza periódica.

**⚠ ADVERTENCIA:** Desenchufe el aparato antes de realizar tareas de mantenimiento o limpieza.

- Limpie frecuentemente las ranuras de ventilación del aparato con un cepillo suave o un paño seco.
- Limpie frecuentemente la cubierta del motor con un paño húmedo.  
No utilice limpiadores abrasivos ni a base de solventes.

**DETECCIÓN DE PROBLEMAS****Problema**

• La unidad no enciende.

**Causa posible**

• Cable desenchufado.

• Fusible quemado.  
quemado.

• El interruptor automático  
está activado.

• Interruptor o cable dañado.  
interruptor en un centro de

**Solución posible**

• Enchufe el cargador en un  
tomacorriente que funcione.

• Reemplace el fusible  
(Si repetidamente el  
producto hace que el fusible del  
circuito se queme, deje de  
utilizarlo inmediatamente y  
haga que le realicen  
mantenimiento en un centro de  
mantenimiento Black & Decker  
o en un centro de servicio  
autorizado.)

• Reinicie el interruptor  
automático. (Si repetidamente  
el producto hace que el fusible  
del circuito se queme, deje de  
utilizarlo inmediatamente y  
haga que le realicen  
mantenimiento en un centro de  
mantenimiento Black & Decker  
o en un centro de servicio  
autorizado.)

• Haga reparar el cable o el  
mantenimiento Black & Decker  
o en un centro de  
mantenimiento autorizado.

Para conocer la ubicación del centro de mantenimiento más cercano a fin de recibir ayuda con su producto, visite nuestro sitio Web [www.blackanddecker.com](http://www.blackanddecker.com) o llame a la línea de ayuda BLACK & DECKER al **55-5326-7100**

### ACCESORIOS

Los accesorios que se recomiendan para la herramienta están disponibles en su distribuidor local o en el centro de mantenimiento autorizado. Si necesita ayuda con respecto a los accesorios, llame al: **(55)5326-7100**

**⚠ ADVERTENCIA:** El uso de accesorios no recomendados para utilizar con esta herramienta puede resultar peligroso.

### INFORMACIÓN DE MANTENIMIENTO

Todos los Centros de mantenimiento de Black & Decker cuentan con personal altamente capacitado dispuesto a brindar a todos los clientes un servicio eficiente y confiable en la reparación de herramientas eléctricas. Si necesita consejo técnico, reparaciones o piezas de repuesto originales de fábrica, póngase en contacto con el centro de mantenimiento de Black & Decker más cercano a su domicilio. Para ubicar su centro de servicio local, consulte la sección "Herramientas eléctricas" (Tools-Electric) de las páginas amarillas, llame al **(55)5326-7100** o visite nuestro sitio **www.blackanddecker.com**.

### GARANTÍA COMPLETA DE DOS AÑOS PARA USO EN EL HOGAR

Black & Decker (Estados Unidos) Inc. ofrece una garantía de dos años por cualquier defecto del material o de fabricación de este producto. El producto defectuoso se reparará o reemplazará sin costo alguno de dos maneras.

La primera opción, el reemplazo, es devolver el producto al comercio donde se lo adquirió (siempre y cuando se trate de un comercio participante). Las devoluciones deben realizarse conforme a la política de devolución del comercio (generalmente, entre 30 y 90 días posteriores a la venta). Le pueden solicitar comprobante de compra. Consulte en el comercio acerca de la política especial sobre devoluciones una vez excedido el plazo establecido.

La segunda opción es llevar o enviar el producto (con flete pago) a un Centro de mantenimiento propio o autorizado de Black & Decker para su reparación o reemplazo según nuestro criterio. Le pueden solicitar el comprobante de compra. Los Centros de mantenimiento autorizados y de propiedad de Black & Decker se detallan en la sección "Herramientas eléctricas" (Tools-Electric) de las páginas amarillas de la guía telefónica. Esta garantía no se extiende a los accesorios. Esta garantía le concede derechos legales específicos; usted puede tener otros derechos que pueden variar según el estado o la provincia. Si tiene alguna pregunta, comuníquese con el gerente del Centro de mantenimiento de Black & Decker de su zona. Este producto no está diseñado para uso comercial.

**Para reparación y servicio de sus herramientas eléctricas, favor de dirigirse al Centro de Servicio más cercano:**

**CULIACAN, SIN**

Av. Nicolás Bravo #1063 Sur  
(667) 7 12 42 11  
Col. Industrial Bravo

**GUADALAJARA, JAL**

Av. La Paz #1779  
(33) 3825 6978  
Col. Americana Sector Juárez

**MEXICO, D.F.**

Eje Central Lázaro Cardenas  
No. 18  
(55) 5588 9377  
Local D, Col. Obrera

**MERIDA, YUC**

Calle 63 #459-A  
(999) 928 5038  
Col. Centro

**MONTERREY, N.L.**

Av. Francisco I. Madero  
No.831  
(81) 8375 2313  
Col. Centro

**PUEBLA, PUE**

17 Norte #205  
(222) 246 3714  
Col. Centro

**QUERETARO, QRO**

Av. Madero 139 Pte.  
(442) 214 1660  
Col. Centro

**SAN LUIS POTOSI, SLP**

Av. Universidad 1525  
(444) 814 2383  
Col. San Luis

**TORREON, COAH**

Blvd. Independencia, 96 Pte.  
(871) 716 5265  
Col. Centro

**VERACRUZ, VER**

Prolongación Díaz Mirón #4280  
(229)921 7016  
Col. Remes

**VILLAHERMOSA, TAB**

Constitución 516-A  
(993) 312 5111  
Col. Centro

**PARA OTRAS LOCALIDADES LLAME AL: (55) 5326 7100**

**Vea "Herramientas  
eléctricas (Tools-  
Electric)"  
- Páginas amarillas -  
para Servicio y ventas**



BLACK & DECKER S.A. DE C.V.  
BOSQUES DE CIDROS ACCESO RADIATAS  
NO. 42  
COL. BOSQUES DE LAS LOMAS.  
05120 MÉXICO, D.F.  
TEL. 55-5326-7100

## ESPECIFICACIONES

Tensión de alimentación: 120 V~ Potencia nominal: 1400W  
Frecuencia de operación: 60 Hz Consumo de corriente: 12A

Cat.No. VN2200, VN1400P Form No. 90518824 Rev. 1

Copyright© 2008 Black & Decker

OCT. '08

Printed in China