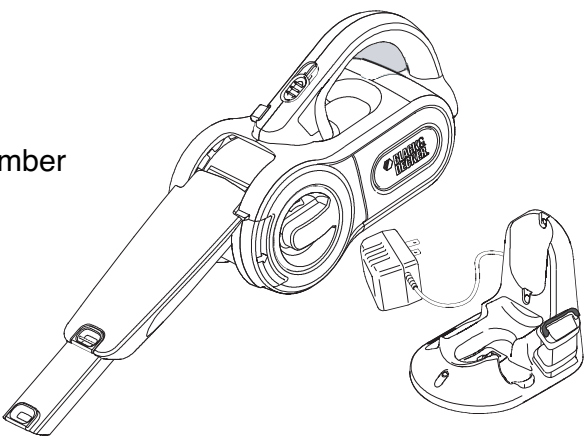




# Cordless 18 Volt Hand Vac

## INSTRUCTION MANUAL

Catalog Number  
PHV1800



THANK YOU FOR CHOOSING BLACK & DECKER!  
GO TO [WWW.BLACKANDDECKER.COM/NEWOWNER](http://WWW.BLACKANDDECKER.COM/NEWOWNER)  
TO REGISTER YOUR NEW PRODUCT.

**BEFORE RETURNING THIS PRODUCT  
FOR ANY REASON PLEASE CALL  
1-800-544-6986**

BEFORE YOU CALL, HAVE THE CATALOG No. AND DATE CODE AVAILABLE. IN MOST CASES, A  
**BLACK & DECKER** REPRESENTATIVE CAN RESOLVE THE PROBLEM OVER THE PHONE. IF YOU  
HAVE A SUGGESTION OR COMMENT, GIVE US A CALL. YOUR FEEDBACK IS VITAL TO  
BLACK & DECKER.

### SAVE THIS MANUAL FOR FUTURE REFERENCE.

### VEA EL ESPAÑOL EN LA CONTRAPORTADA.

INSTRUCTIVO DE OPERACIÓN, CENTROS DE SERVICIO Y PÓLIZA DE GARANTÍA.  
**ADVERTENCIA:** LÉASE ESTE INSTRUCTIVO ANTES DE USAR EL PRODUCTO.

Catalog No. PHV1800  
Copyright © 2006 Black & Decker

FORM NO. 90500746

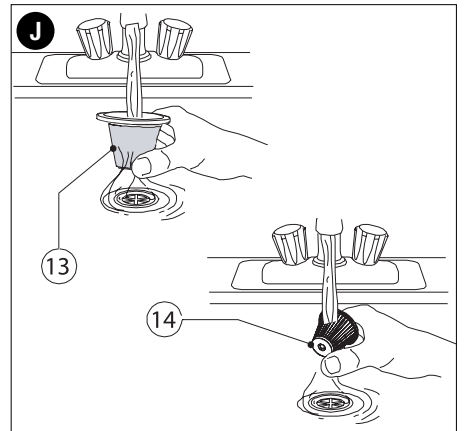
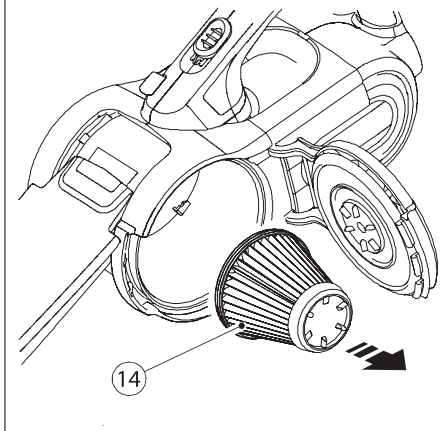
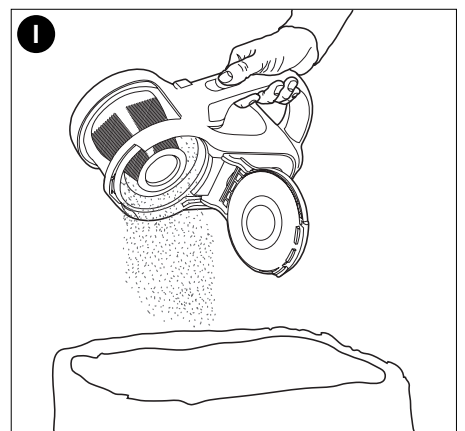
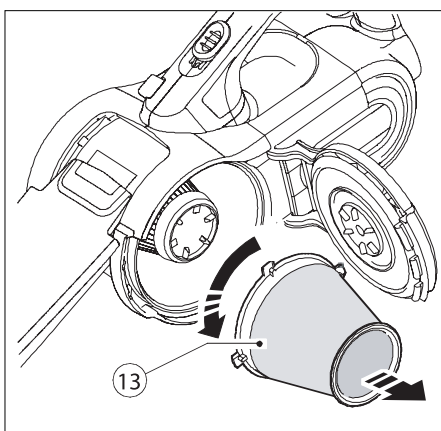
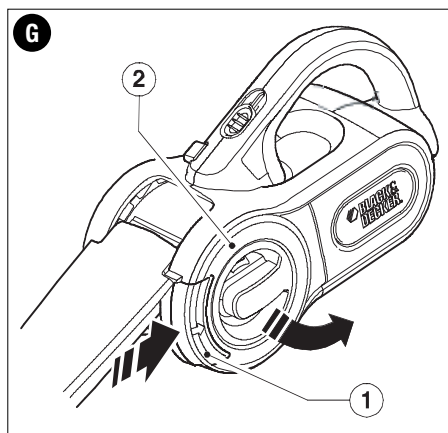
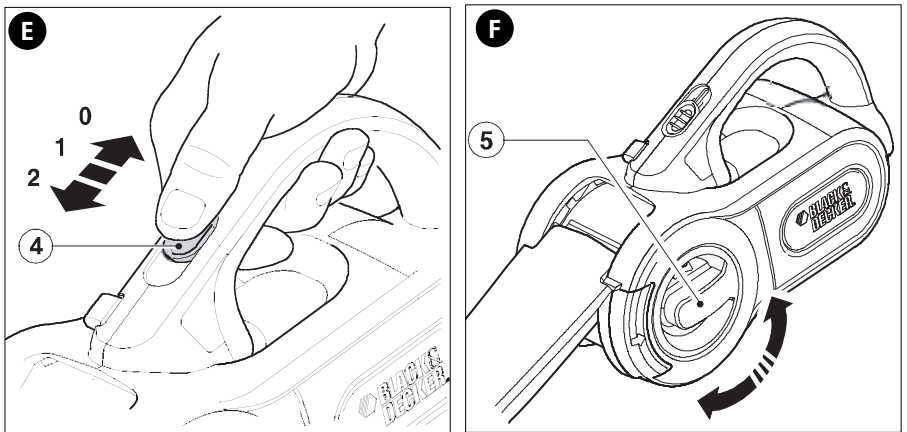
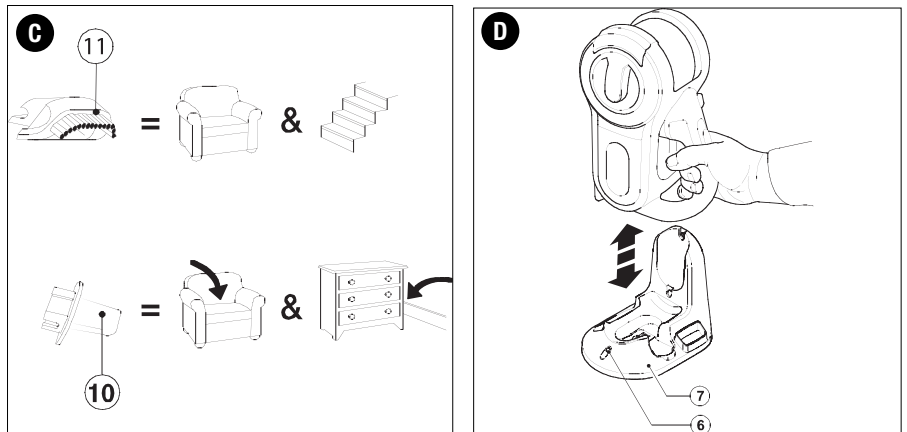
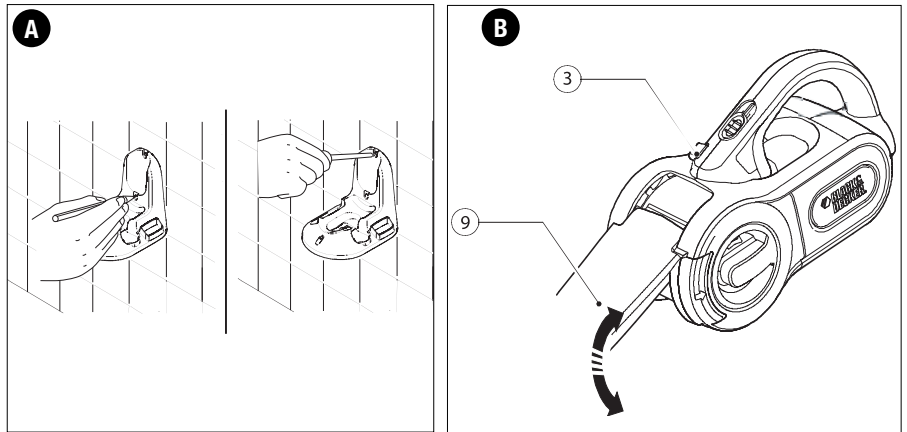
PRINTED IN CHINA  
MARCH '06

## IMPORTANT SAFEGUARDS

When using electrical appliances, basic safety precautions should always be followed, including the following: **PLEASE READ ALL INSTRUCTIONS CAREFULLY BEFORE USING THE UNIT.**

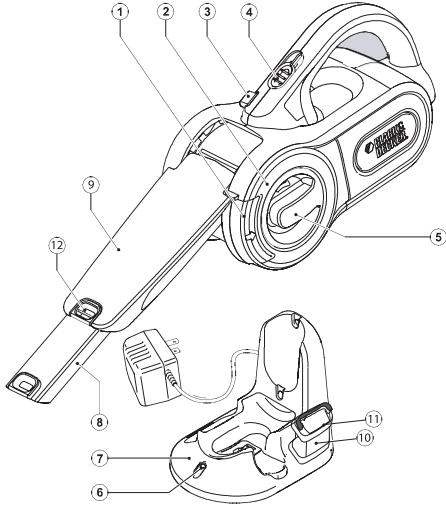
- ⚠ **WARNING:** To reduce the risk of fire, electrical shock or injury:
  - Close supervision is necessary when any appliance is used by or near children. Do not allow to be used as a toy.
  - Shock Hazard. To protect against risk of electrical shock, do not put unit or charging base in water or other liquid.
  - Do not use dry hand vacs to pick up liquids, toxic substances, flammable or combustible liquids such as gasoline or use in areas where they may be present.
  - Do not use wet/dry hand vacs to pick up toxic substances, flammable or combustible liquids such as gasoline or use in areas where they may be present.
  - Do not operate in the presence of explosives and/or flammable fumes or liquids.
  - Shock Hazard. Do not operate any appliance with a damaged cord or charger or after the appliance malfunctions, is left outdoors, dropped into water or is damaged in any manner. Return the appliance to any authorized service facility.
  - Do not use dry hand vacs outdoors or on wet surfaces.
  - Do not abuse the cord. Never carry the charger or base by the cord or yank to disconnect from an outlet; instead grasp the charger and pull to disconnect. Keep cord away from heated surfaces. Do not pull cord around sharp edges or corners.
  - Do not allow the cord to hang over the edge of a table or counter or touch hot surfaces. The unit should be placed or mounted away from sinks and hot surfaces.
  - Do not use an extension cord. Plug the charger directly into an electrical outlet.
  - Use the charger only in a standard electrical outlet (120V/60Hz).
  - Do not attempt to use the charger with any other product; do not attempt to charge this product with any other charger. Use only the charger supplied by the manufacturer to recharge.
  - Keep hair, loose clothing, and all parts of body away from openings and moving parts.
  - Do not insert accessories when unit is running.
  - Shock Hazard. Do not handle plug or appliance with wet hands.
  - Do not put any object into unit openings. Do not use with any openings blocked; keep free of dust, lint, hair, and anything that may reduce air flow.
  - Fire Hazard. Do not vacuum burning or smoking materials, such as lit cigarette butts, matches or hot ashes.
  - Do not use on or near hot surfaces.
  - Use extra caution when cleaning on stairs.
  - This appliance is intended for household use only and not for commercial or industrial use.
  - Use only as described in this manual. Use only manufacturer's recommended attachments.
  - Unplug the charger from outlet before any routine cleaning or maintenance.
  - This product includes rechargeable nickel cadmium batteries. Do not incinerate batteries as they will explode at high temperatures.
  - Leaks from battery cells can occur under extreme conditions. If the liquid, which is a 20-35% solution of potassium hydroxide, gets on the skin (1) wash quickly with soap and water or (2) neutralize with a mild acid such as lemon juice or vinegar. If the liquid gets into the eyes, flush them immediately with clean water for a minimum of 10 minutes. Seek medical attention.
  - Do not look into the air vents when the unit is switched on, as sometimes there is a possibility of small debris being discharged from the air vents, especially after cleaning / replacement of the filters as debris inside the unit can be disturbed.

## SAVE THESE INSTRUCTIONS



## Product Features

1. Release latch for container door
2. Container door
3. Pivot lock release button
4. Two-speed on/off switch
5. Filter cleaning wheel
6. Charging indicator
7. Charging base
8. Extending extension nozzle
9. Pivoting nozzle
10. Small crevice tool
11. Upholstery brush
12. Release button



### INSTALLATION

#### FITTING THE CHARGING BASE TO THE WALL (FIG. A)

The charging base can be placed on a work top or fitted to the wall to provide a convenient storage and charging point for the appliance.

### ASSEMBLY

#### ADJUSTING THE PIVOTING NOZZLE (FIG. B)

- The pivoting nozzle (9) is stored under the appliance. To adjust for use, lift the appliance from the charging base.
- Depress the pivot lock button (3) and rotate the nozzle to the required position.
- Release the pivot lock button to lock in position.
- The pivoting nozzle can be extended by pulling the extension piece (8) until it locks into position.
- The extension can be retracted by depressing the button (12) and pushing the extension back into the nozzle.
- The pivoting nozzle should be returned to the storage position under the appliance after use and when charging.

#### FITTING THE ACCESSORIES (FIG. C)

These models are supplied with the following accessories:

- A crevice tool (10) for confined spaces.
- A brush tool (11) for furniture and stairs.

To fit an accessory, proceed as follows:

- Take the accessories from the charging base.
- Insert the appropriate accessory into the front of the appliance.

### OPERATION

- Before first use, the battery must be charged for at least 16 hours.
- Place the appliance on the charging base whenever it is not in use.

#### CHARGING THE BATTERY (FIG. D)

- Make sure that the appliance is switched off.
- The battery will not be charged with the on/off switch in the on position.
- Place the appliance on the charging base as shown.
- Plug in the charger.

The charging indicator (6) will be lit.

- Leave the appliance to charge for at least 16 hours.

#### SAFETY WARNINGS AND INSTRUCTIONS: CHARGING

- While charging, the charger may become warm. This is normal and does not indicate a problem.
- The appliance can be left connected to the charger indefinitely. The charging indicator (6) will be lit as long as the appliance is connected to the plugged-in charger.
- Do not charge the battery at ambient temperatures below 39° F (4 °C) or above 104° (40 °C).

#### SWITCHING ON AND OFF (FIG. E)

- To switch the appliance on, slide the on/off switch (4) forward to the number 1 position (low speed/extended runtime). For high speed (maximum performance) slide the on/off switch (4) forward to the number 2 position.
- To switch the appliance off, slide the on/off switch (4) back.

#### HANGING THE CHARGING BASE (FIG. A)

Use the hardware provided only if hanging on conventional hollow wall construction such as sheet rock or plaster walls. If not hanging on conventional sheet rock or plaster walls, please use the appropriate fasteners for that material.

- Locate the charging base within reach of an electrical outlet.
- Mark the position of both hang holes as shown in figure A.
- The bottom mounting screw should be inserted first and driven in to about an 1/8" (3mm) from the wall.
- Place the charging base over the screw head until it is fully seated.
- Check that the charging base is straight up and down and tighten the screw.
- Insert the top screw and check to see that the charging base is firmly attached to the wall so it will not pull out.
- Plug in and place the product in position. The charging base can be fixed, or simply placed, in a convenient vertical position.

#### OPTIMIZING THE SUCTION FORCE (FIG. F)

In order to keep the suction force optimized, the filters must be cleared regularly during use.

- Rotate the wheel (5) a few turns to shake out dust clogging the filters.

### CLEANING AND MAINTENANCE

**CAUTION:** Regularly clean the filters (13 & 14).

#### CLEANING THE DUST CONTAINER AND FILTERS (FIG. G - J)

The filters are re-usable and should be cleaned regularly.

- Press the release latch (1) and open the container door (2) (fig. G).
- Remove the filters (13 & 14) by twisting them counterclockwise (fig. H).
- Empty the dust container (fig. I)
- Brush any loose dust off the filters.
- Wash the filters in warm, soapy water (fig. J).
- Make sure that the filters are dry.
- Refit the filters (13 & 14) on to the appliance, twisting them clockwise until they lock into place.
- Close the container door (2). Make sure that the release latch (1) clicks into place.

**⚠ WARNING: Projectile/Respiratory Hazard:** Never use the appliance without the filters. Optimum dust collection will only be achieved with clean filters.

#### REPLACING THE FILTERS

The filters should be replaced every 6 to 9 months and whenever worn or damaged. Replacement filters are available from your Black & Decker dealer (cat. no. PVF100):

- Remove the old filters as described above.
- Fit the new filters as described above.

### MAINTENANCE

Use only mild soap and damp cloth to clean the tool. Never let any liquid get inside the tool; never immerse any part of the tool into a liquid.

**IMPORTANT:** To assure product SAFETY and RELIABILITY, repairs, maintenance and adjustment (other than those listed in this manual) should be performed by authorized service centers or other qualified service personnel, always using identical replacement parts.

### Troubleshooting

#### Problem

- Unit will not start.
- Battery will not charge.

#### Possible Cause

- Battery not charged.
- Charger not plugged in.
- Surrounding air temperature too hot or too cold.

#### Possible Solution

- Check battery charging requirements.
- Plug charger into a working outlet. Refer to "Important Charging Notes" for more details.
- Check current at receptacle by plugging in a lamp or other appliance.
- Check to see if receptacle is connected to a light switch which turns power off when you turn out the lights.
- Move charger and tool to a surrounding air temperature of above 40 degrees F (4,5°C) or below 105 degrees F (+40,5°C).

For assistance with your product, visit our website [www.blackanddecker.com](http://www.blackanddecker.com) for the location of the service center nearest you or call the BLACK & DECKER help line at 1-800-544-6986.

### ACCESSORIES

Recommended accessories for use with your tool are available from your local dealer or authorized service center. If you need assistance regarding accessories, please call:

1-800-544-6986.

**⚠ WARNING:** The use of any accessory not recommended for use with this tool could be hazardous.

### BATTERY REMOVAL AND DISPOSAL

This product uses nickel-cadmium (Ni-Cd) rechargeable and recyclable batteries. When the batteries no longer hold a charge, they should be removed from the Vac and recycled. They must not be incinerated or composted.

The batteries can be taken for disposal to a Black & Decker, Company-Owned or Authorized Service Center. Some local retailers are also participating in a national recycling program (see "RBRC™ Seal"). Call your local retailer for details. If you bring the batteries to a Black & Decker Company-Owned or Authorized Service Center, the Center will arrange to recycle old batteries. Or, contact your local municipality for proper disposal instructions in your city/town.

To remove the battery pack for disposal:

- 1.) First, before attempting to disassemble the product, turn it on and leave it on until the motor completely stops insuring a complete discharge of the batteries.
- 2.) Ensure nozzle is rotated out of storage position.
- 3.) Using a phillips screwdriver, remove the seven screws securing the two housing halves.
- 4.) Lift the housing cover away from the assembly.
- 5.) Remove the single screw which secures the motor assembly. (located at bottom of unit, adjacent to the bowl).
- 6.) Lift out the motor assembly.
- 7.) Remove the three screws in the cover and lift the cover off of the assembly exposing the batteries.
- 8.) Detach motor connections and lift motor away from assembly.
- 9.) Detach all lead connections and remove batteries from battery casing.
- 10.) Dispose of batteries as per recommended guidelines.

### THE RBRC™ SEAL

The RBRC™ (Rechargeable Battery Recycling Corporation) Seal on the nickel-cadmium battery (or battery pack) indicates that the costs to recycle the battery (or battery pack) at the end of its useful life have already been paid by Black & Decker. In some areas, it is illegal to place spent nickel-cadmium batteries in the trash or municipal solid waste stream and the RBRC program provides an environmentally conscious alternative.

RBRC in cooperation with Black & Decker and other battery users, has established programs in the United States and Canada to facilitate the collection of spent nickel-cadmium batteries. Help protect our environment and conserve natural resources by returning the spent nickel-cadmium battery to an authorized Black & Decker service center or to your local retailer for recycling. You may also contact your local recycling center for information on where to drop off the spent battery, or call 1-800-8-BATTERY.

### SERVICE INFORMATION

All Black & Decker Service Centers are staffed with trained personnel to provide customers with efficient and reliable power tool service. Whether you need technical advice, repair, or genuine factory replacement parts, contact the Black & Decker location nearest you. To find your local service location, refer to the yellow page directory under "Tools—Electric" or call: 1-800-544-6986 or visit [www.blackanddecker.com](http://www.blackanddecker.com)

### FULL TWO-YEAR HOME USE WARRANTY

Black & Decker (U.S.) Inc. warrants this product for two years against any defects in material or workmanship. The defective product will be replaced or repaired at no charge in either of two ways.

The first, which will result in exchanges only, is to return the product to the retailer from whom it was purchased (provided that the store is a participating retailer). Returns should be made within the time period of the retailer's policy for exchanges (usually 30 to 90 days after the sale). Proof of purchase may be required. Please check with the retailer for their specific return policy regarding returns that are beyond the time set for exchanges.

The second option is to take or send the product (prepaid) to a Black & Decker owned or authorized Service Center for repair or replacement at our option. Proof of purchase may be required. Black & Decker owned and authorized Service Centers are listed under "Tools-Electric" in the yellow pages of the phone directory and on our website [www.blackanddecker.com](http://www.blackanddecker.com).

This warranty does not apply to accessories. This warranty gives you specific legal rights and you may have other rights which vary from state to state. Should you have any questions, contact the manager of your nearest Black & Decker Service Center. This product is not intended for commercial use.

**FREE WARNING LABEL REPLACEMENT:** If your warning labels become illegible or are missing, call 1-800-544-6986 for a free replacement.

Imported by  
Black & Decker (U.S.) Inc.,  
701 E. Joppa Rd.  
Towson, MD 21286 U.S.A.



See 'Tools-Electric'  
- Yellow Pages -  
for Service & Sales



# BLACK & DECKER®

## ASPIRATEUR PORTATIF SANS FIL 18 V

### MODE D'EMPLOI

N° de catalogue PHV1800

MERCI D'AVOIR CHOISI BLACK & DECKER !  
VISITEZ [WWW.BLACKANDDECKER.COM/NEWOWNER](http://WWW.BLACKANDDECKER.COM/NEWOWNER)  
POUR ENREGISTRER VOTRE NOUVEAU PRODUIT.

**AVANT DE RETOURNER CE PRODUIT POUR QUELQUE  
RAISON QUE CE SOIT, COMPOSER LE**

# 1-800-544-6986

AVANT D'APPELER, AYEZ EN MAIN LE N° DE CATALOGUE ET LE CODE DE DATE. DANS LA PLUPART

DES CAS, UN REPRÉSENTANT DE BLACK & DECKER PEUT RÉSOUDRE LE PROBLÈME PAR

TÉLÉPHONE. SI VOUS AVEZ UNE SUGGESTION OU UN COMMENTAIRE, APPELEZ-NOUS. VOS

IMPRESSIONS SONT CRUCIALES POUR BLACK & DECKER.

**CONSERVER CE MODE D'EMPLOI POUR UN USAGE  
ULTÉRIEUR.**

## ⚠ IMPORTANTES MISES EN GARDE

Lors de l'utilisation d'un appareil électrique, certaines règles de sécurité fondamentales doivent toujours être respectées, notamment les suivantes. **LIRE ATTENTIVEMENT TOUTES LES DIRECTIVES AVANT D'UTILISER L'APPAREIL.**

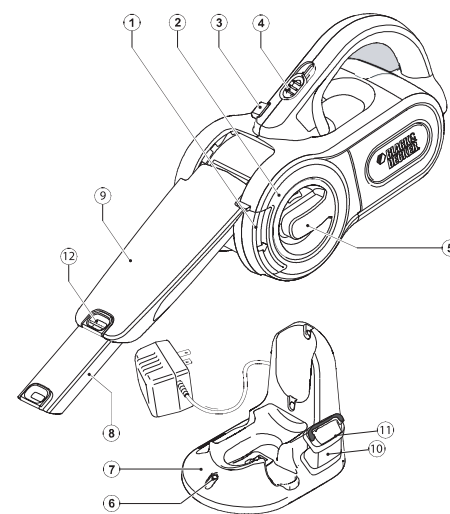
⚠ **AVERTISSEMENT** : pour réduire les risques d'incendie, de chocs électriques ou de blessures :

- Exercer une étroite surveillance pour l'utilisation de tout appareil électrique par des enfants ou à proximité de ceux-ci. Interdire l'utilisation de l'appareil comme jouet.
- Risque d'électrocution. Afin de se protéger contre les risques de choc électrique, ne pas immerger l'appareil ni la base de charge dans quelque liquide que ce soit.
- Ne pas se servir d'un aspirateur portatif destiné à des déchets secs pour aspirer des liquides, des substances toxiques, des liquides inflammables ou combustibles comme de l'essence, ni s'en servir dans un endroit renfermant de tels produits.
- Ne pas se servir d'un aspirateur portatif destiné à des déchets secs ou humides pour aspirer des substances toxiques, des liquides inflammables ou combustibles comme de l'essence, ni s'en servir dans un endroit renfermant de tels produits.
- Ne pas utiliser l'appareil en présence de vapeurs ou de liquides explosifs ou inflammables.
- Risque d'électrocution. Ne pas utiliser d'appareil présentant un chargeur ou un cordon endommagé, en mauvais état de fonctionnement, ou ayant été laissé à l'extérieur, immergé dans de l'eau ou endommagé de quelque façon que ce soit. Retourner l'appareil dans un centre de réparation autorisé.
- Ne pas utiliser un aspirateur portatif destiné à des déchets secs à l'extérieur ni sur des surfaces mouillées.
- Ne pas utiliser abusivement le cordon d'alimentation. Ne jamais transporter le chargeur ou la base en les tenant par le cordon, ni tirer dessus pour les débrancher; tenir le chargeur et tirer sur la fiche pour le débrancher. Tenir le cordon éloigné des surfaces chauffées. Ne pas faire passer le cordon sur des arêtes ou des angles vifs.
- Ne pas laisser le cordon pendre sur le bord d'une table ou d'un comptoir, ni toucher des surfaces chaudes. L'appareil doit être placé ou fixé loin de tout évier et de toute surface chaude.
- Ne pas utiliser de rallonge. Brancher le chargeur directement dans une prise électrique.
- Brancher le chargeur seulement dans une prise électrique standard (120 V, 60 Hz).
- Ne pas utiliser le chargeur avec un autre produit, ni tenter de charger l'appareil avec un autre chargeur. Utiliser uniquement le chargeur fourni par le fabricant.
- Tenir les cheveux, les vêtements amples et toutes les parties du corps à l'écart des ouvertures et des pièces mobiles.
- Ne pas installer d'accessoires pendant le fonctionnement de l'appareil.
- Risque d'électrocution. Ne pas manipuler la fiche ni l'appareil avec les mains mouillées.
- Ne pas insérer d'objet dans les ouvertures de l'appareil. Ne pas utiliser l'appareil si ses ouvertures sont bouchées; les tenir exemptes de poussière, de peluche, de cheveux et de toute chose pouvant réduire la circulation d'air.
- Risque d'incendie. Ne pas passer l'aspirateur sur des matières qui brûlent ou fument comme des mégots de cigarette, des allumettes ou des cendres chaudes.
- Ne pas utiliser l'appareil sur des surfaces chaudes ni près de celles-ci.
- Être très prudent pour nettoyer les escaliers.
- L'appareil électrique est conçu pour une utilisation domestique seulement et non commerciale ou industrielle.
- Utiliser l'appareil uniquement selon les indications données dans le présent manuel. Utiliser uniquement les accessoires recommandés par le fabricant.
- Débrancher le chargeur avant tout nettoyage ou entretien de routine.
- Ce produit contient des piles rechargeables au nickel-cadmium. Ne pas incinérer les piles car la chaleur des flammes les fera exploser.
- Les cellules des piles peuvent fuir dans des conditions extrêmes. Si le liquide, qui est constitué d'une solution de 20 à 35 % d'hydroxyde de potassium entre en contact avec la peau : (1) se laver rapidement avec de l'eau et du savon ou (2) neutraliser le produit avec un acide doux comme du jus de citron ou du vinaigre. Si le liquide atteint les yeux, les rincer immédiatement à l'eau claire pendant au moins 10 minutes. Consulter un médecin.
- Ne pas regarder dans les événements lorsque l'appareil est en marche, car il arrive parfois que de petits débris s'en échappent, surtout après un nettoyage ou un remplacement de filtre qui aurait tendance à les libérer.

## CONSERVER CES DIRECTIVES

## CARACTÉRISTIQUES DU PRODUIT

1. Loquet d'ouverture de la trappe du contenant
2. Trappe du contenant
3. Bouton de déblocage de pivot
4. Commutateur marche/arrêt deux vitesses
5. Roue de nettoyage du filtre
6. Indicateur de charge
7. Base de charge
8. Extension de buse à rallonge
9. Buse pivotante
10. Petit suceur plat
11. Brosse à meubles
12. Bouton de dégagement



### INSTALLATION

#### FIXATION DE LA BASE DE CHARGE SUR LE MUR (FIG. A)

La base de charge peut être placée sur un plan de travail ou fixée au mur, offrant ainsi un rangement pratique et un point de charge pour l'appareil.

### ASSEMBLAGE

#### RÉGLAGE DE LA BUSE PIVOTANTE (FIG. B)

- La buse pivotante (9) est rangée sous l'appareil. Pour régler la buse, soulever l'appareil de la base de charge.
- Appuyer sur le bouton de déblocage de pivot (3) et faire tourner la buse dans la position souhaitée.
- Relâcher le bouton de déblocage de pivot pour verrouiller la buse en position.
- La buse pivotante peut être allongée en tirant sur la rallonge (8) jusqu'à ce qu'elle se verrouille en position.
- La rallonge peut être rétractée en appuyant sur le bouton (12) et en repoussant la rallonge dans la buse.
- La buse pivotante doit être remise en position de rangement sous l'appareil après utilisation et pendant la charge.

#### MONTAGE DES ACCESSOIRES (FIG. C)

Ces modèles sont livrés avec les accessoires suivants :

- Un suceur plat (10) pour les espaces confinés.
- Une brosse (11) pour le mobilier et les escaliers.

Pour monter un accessoire, procéder de la façon suivante :

- Prendre les accessoires sur la base de charge.
- Insérer l'accessoire approprié à l'avant de l'appareil.

### FONCTIONNEMENT

- Avant la première utilisation, la pile doit être chargée pendant au moins 16 heures.
- Placer l'appareil sur la base de charge quand il n'est pas utilisé.

#### CHARGE DE LA PILE (FIG. D)

- S'assurer que l'appareil est éteint.

La pile ne se charge pas si le commutateur marche/arrêt est en position de marche.

- Placer l'appareil sur la base de charge comme illustré.
- Brancher le chargeur.

L'indicateur de charge (6) s'allume.

- Laisser l'appareil en charge pendant au moins 16 heures.

#### AVERTISSEMENTS DE SÉCURITÉ ET DIRECTIVES : CHARGE

- Pendant la charge, le chargeur peut chauffer. Cela est normal et n'indique pas de problème.
- On peut laisser l'appareil branché indéfiniment au chargeur. L'indicateur de charge (6) reste allumé aussi longtemps que l'appareil est relié au chargeur branché.
- Ne pas charger la batterie à des températures ambiantes inférieures à 4 °C (39 °F) ou supérieures à 40 °C (104 °F).

#### ALLUMAGE ET EXTINCTION (FIG. E)

- Pour allumer l'appareil, faire glisser le commutateur marche/arrêt (4) vers la position 1 (vitesse lente/temps de fonctionnement prolongée). Pour la vitesse rapide (performance maximum) faire glisser le commutateur marche/arrêt (4) vers l'avant à la position 2.
- Pour arrêter l'appareil, faire glisser le commutateur marche/arrêt (4) vers l'arrière.

#### ACCROCHAGE DE LA BASE DE CHARGE (FIG. A)

Utiliser le matériel fourni uniquement si l'appareil est accroché sur un mur creux conventionnel comme le Sheetrock ou les murs en plâtre. Si ce n'est pas le cas, utiliser les fixations appropriées prévues pour le matériau constituant le mur utilisé.

- Placer la base de charge à proximité d'une prise électrique.
- Marquer la position des deux trous d'accrochage comme illustré à la figure A.
- Insérer la vis de montage inférieure et la visser à environ 3 mm (1/8 po) du mur.
- Placer la base de charge sur la tête de vis jusqu'à ce qu'elle complètement enfoncée.
- Vérifier que la base de charge est droite et bien verticale et serrer la vis.
- Insérer la vis supérieure et vérifier que la base de charge est bien fixée au mur et ne risque pas de s'arracher.
- Brancher la base et mettre en place le produit. La base de charge peut être fixée ou simplement placée dans une position verticale pratique.

#### OPTIMISATION DE LA FORCE D'ASPIRATION (FIG. F)

Pour maintenir au maximum la force d'aspiration, il est nécessaire de nettoyer régulièrement les filtres pendant l'utilisation.

- Tourner la roue (5) de quelques tours pour secouer la poussière bouchant les filtres.

### NETTOYAGE ET ENTRETIEN

⚠ **MISE EN GARDE** : Nettoyage du contenant à poussière et des filtres (fig. 13 et 14)

#### NETTOYAGE DU CONTENANT À POUSSIÈRE ET DES FILTRES (FIG. G - J)

Les filtres sont réutilisables et doivent être nettoyés régulièrement.

- Appuyer sur le loquet d'ouverture (1) et ouvrir la trappe du contenant (2) (fig. G).
- Retirer les filtres (13 et 14) en les tournant dans le sens inverse des aiguilles d'une montre (fig. H).
- Vider le contenant à poussière (fig. I).
- Nettoyer avec une brosse la poussière hors des filtres.
- Laver les filtres dans de l'eau chaude savonneuse (fig. J).
- S'assurer que les filtres sont secs.
- Remettre les filtres (13 et 14) en place dans l'appareil, en les tournant en sens horaire jusqu'à ce qu'ils se verrouillent en place.
- Fermer la trappe du contenant (2). Vérifier que le loquet d'ouverture (1) s'enclenche avec un déclic.

⚠ **AVERTISSEMENT : Risques de projection/respiratoires** : ne jamais utiliser l'appareil sans les filtres. Une aspiration optimale des poussières ne sera obtenue qu'avec des filtres propres.

#### REMPLACEMENT DES FILTRES

Les filtres doivent être remplacés tous les 6 à 9 mois et chaque fois qu'ils sont usés ou endommagés. Des filtres de rechange sont disponibles auprès du détaillant Black & Decker local (cat. n° PVF100):

- Retirer les anciens filtres comme décrit ci-dessus.
- Installer les filtres neufs comme décrit ci-dessus.

## ENTRETIEN

N'utiliser qu'un détergent doux et un chiffon humide pour nettoyer l'outil. Ne jamais laisser de liquide pénétrer dans l'outil et n'immerger aucune partie de l'outil dans un liquide.

**IMPORTANT** : pour garantir la SÉCURITÉ et la FIABILITÉ du produit, les réparations, l'entretien et le réglage (autre que ceux énumérés dans ce mode d'emploi) doivent être réalisés par un centre de réparation autorisé ou tout autre centre de réparation professionnel, utilisant toujours des pièces de rechange identiques.

### Dépannage

#### Problème

- L'appareil refuse de démarrer.

#### Cause possible

- Pile non chargée.

#### Solution possible

- Vérifier les exigences de charge pour la pile.
- Brancher le chargeur dans une prise qui fonctionne. Se reporter à « Remarques importantes de chargement » pour plus de renseignements.
- Vérifier le courant à la prise en branchant une lampe ou un autre appareil électrique.
- Vérifier si la prise est reliée à un interrupteur de lumière qui la met hors tension lorsque vous éteignez les lumières.
- Déplacer le chargeur et l'outil à une température ambiante de plus de 4,5 °C (40 °F) ou sous les 40,5 °C (105 °F) 105 degree F (+40,5°C).

- Température ambiante trop chaude ou trop froide.

Pour de l'aide avec l'outil, consulter notre site Web [www.blackanddecker.com](http://www.blackanddecker.com) pour l'emplacement du centre de réparation le plus près ou communiquer avec l'assistance BLACK & DECKER au **1-800-544-6986**.

## ACCESSOIRES

Les accessoires recommandés pouvant être utilisés avec l'outil sont disponibles auprès de votre distributeur local ou centre de réparation autorisé. Pour tout renseignement concernant les accessoires, composer le : **1-800-544-6986**.

**AVERTISSEMENT** : l'utilisation de tout accessoire non recommandé avec cet outil pourrait s'avérer dangereuse.

## RETRAIT ET ÉLIMINATION DES PILES

Ce produit utilise des piles nickel-cadmium (Ni-Cd) rechargeables et recyclables.

Quand les piles ne tiennent plus la charge, elles doivent être retirées de l'aspirateur et recyclées. Elles ne doivent jamais être incinérées ni compostées.

On peut apporter la pile à un centre de réparation Black & Decker ou un centre autorisé. Certains détaillants locaux participent également à un programme national de recyclage. Communiquer avec le détaillant de votre région pour les détails. Le centre de réparation de Black & Decker ou un centre autorisé prendront les dispositions nécessaires pour recycler la pile épuisée si on la rapporte à un tel centre. On peut aussi contacter la municipalité pour obtenir des directives de mise au rebut appropriées selon la ville.

Enlever le bloc-piles pour élimination :

- 1.) D'abord, avant d'essayer de démonter le produit, l'allumer et le laisser allumé jusqu'à ce que le moteur s'arrête complètement, ce qui assure une décharge complète des piles.
- 2.) Vérifier que la buse est tournée en position de rangement.
- 3.) Avec un tournevis à pointe cruciforme, retirer les sept vis fixant les deux moitiés du boîtier.
- 4.) Déposer le couvercle du boîtier de l'ensemble.
- 5.) Retirer la vis unique fixant l'ensemble de moteur (située en bas de l'appareil, près du contenant à poussière.)
- 6.) Soulever l'ensemble de moteur.
- 7.) Retirer les trois vis du couvercle et retirer le couvercle de l'ensemble afin d'exposer les piles.
- 8.) Débrancher les connexions du moteur et séparer le moteur de l'ensemble.
- 9.) Débrancher tous les fils et retirer les piles de leur boîtier.
- 10.) Éliminer les piles conformément aux directives recommandées.

## SCEAU RBRC™

RBRC™ (Société de recyclage des piles rechargeables)

Ce sceau apposé sur la pile au nickel cadmium (ou sur le bloc-piles) indique que les coûts de recyclage de cette pile (ou de ce bloc-piles) à la fin de sa vie utile ont été payés par Black & Decker. Dans certaines régions, il est illégal de jeter les piles au nickel cadmium dans les poubelles ou dans le système municipal de cueillette des résidus solides. Le programme de la RBRC représente donc une alternative écologique.

La RBRC, en collaboration avec Black & Decker et d'autres utilisateurs de piles, a établi aux États-Unis et au Canada des programmes facilitant la cueillette des piles au nickel cadmium déchargées. Aidez-nous à protéger l'environnement et à conserver nos ressources naturelles en retournant les piles au nickel cadmium épuisées à un centre de réparation Black & Decker ou au détaillant de votre région pour qu'elles soient recyclées. Vous pouvez aussi communiquer avec votre centre local de recyclage qui vous fera part du lieu de disposition de vos piles épuisées ou composer le numéro **1-800-8-BATTERY**.



## INFORMATION SUR LES RÉPARATIONS

Tous les centres de réparation Black & Decker sont dotés de personnel qualifié en matière d'outillage électrique; ils sont donc en mesure d'offrir à leur clientèle un service efficace et fiable. Que ce soit pour un avis technique, une réparation ou des pièces de rechange authentiques installées en usine, communiquer avec l'établissement Black & Decker le plus près de chez vous. Pour trouver l'établissement de réparation de votre région, consulter le répertoire des Pages jaunes à la rubrique « Outils électriques » ou composer le numéro suivant : **1-800-544-6986** ou consulter le site [www.blackanddecker.com](http://www.blackanddecker.com)

## GARANTIE COMPLÈTE DE DEUX ANS POUR UNE UTILISATION DOMESTIQUE

Black & Decker (É.-U.) Inc. garantit ce produit pour une durée de deux ans contre tout défaut de matériau ou de fabrication. Le produit défectueux sera remplacé ou réparé sans frais de l'une des deux façons suivantes :

La première façon consiste en un simple échange chez le détaillant qui l'a vendu (pourvu qu'il s'agisse d'un détaillant participant). Tout retour doit se faire durant la période correspondant à la politique d'échange du détaillant (habituellement, de 30 à 90 jours après l'achat). Une preuve d'achat peut être requise. Vérifier auprès du détaillant pour connaître sa politique concernant les retours hors de la période définie pour les échanges.

La deuxième option est d'apporter ou d'envoyer le produit (transport payé d'avance) à un centre de réparation autorisé ou à un centre de réparation de Black & Decker pour faire réparer ou échanger le produit, à notre discrétion. Une preuve d'achat peut être requise. Les centres Black & Decker et les centres de service autorisés sont répertoriés dans les pages jaunes, sous la rubrique « Outils électriques ».

Cette garantie ne s'applique pas aux accessoires. Cette garantie vous accorde des droits légaux spécifiques et vous pourriez avoir d'autres droits qui varient d'un État ou d'une province à l'autre. Pour toute question, communiquer avec le directeur du centre de réparation Black & Decker le plus près de chez vous. Ce produit n'est pas destiné à un usage commercial.

**REPLACEMENT GRATUIT DES ÉTIQUETTES D'AVERTISSEMENT** : si les étiquettes d'avertissement deviennent illisibles ou sont manquantes, composer le **1-800-544-6986** pour en obtenir le remplacement gratuit.

Imported by / Importé par  
Black & Decker Canada Inc.  
100 Central Ave.  
Brockville (Ontario) K6V 5W6

Voir la rubrique "Outils électriques"  
des Pages Jaunes  
pour le service et les ventes.



# BLACK & DECKER®

## ASPIRADORA DE MANO INALÁMBRICA DE 18 VOLTIOS

# MANUAL DE INSTRUCCIONES

Catálogo N° PHV1800

¡GRACIAS POR ELEGIR BLACK & DECKER!  
VAYA A [WWW.BLACKANDDECKER.COM/NEWOWNER](http://WWW.BLACKANDDECKER.COM/NEWOWNER)  
PARA REGISTRAR SU NUEVO PRODUCTO.

ANTES DE DEVOLVER ESTE PRODUCTO POR  
CUALQUIER MOTIVO, LLAME AL

## (55)5326-7100

ANTES DE LLAMAR, TENGA EL NÚMERO DE CATÁLOGO Y EL CÓDIGO DE FECHA PREPARADOS. EN LA  
MAYORÍA DE LOS CASOS, UN REPRESENTANTE DE BLACK & DECKER PUEDE RESOLVER EL  
PROBLEMA POR TELÉFONO. SI DESEA REALIZAR UNA SUGERENCIA O COMENTARIO, LLÁMENOS. SU  
OPINIÓN ES FUNDAMENTAL PARA BLACK & DECKER.

CONSERVE ESTE MANUAL PARA FUTURAS CONSULTAS.

## MEDIDAS DE SEGURIDAD IMPORTANTES

Cuando utilice aparatos eléctricos, siempre debe seguir algunas precauciones básicas de seguridad, entre ellas: **POR FAVOR LEA ATENTAMENTE TODAS LAS INSTRUCCIONES ANTES DE UTILIZAR LA UNIDAD.**

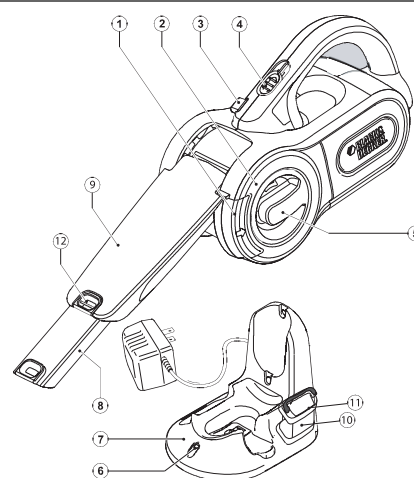
**ADVERTENCIA:** Para disminuir el riesgo de incendio, descarga eléctrica o lesión:

- Debe supervisar detenidamente el uso de cualquier aparato por parte de niños o cerca de ellos. No permita que se utilice como juguete.
- Riesgo de descarga eléctrica Para evitar el riesgo de descarga eléctrica, no sumerja la unidad o la base cargadora en el agua o cualquier otro líquido.
- No utilice las aspiradoras de mano para seco con el fin de recoger líquidos, sustancias tóxicas, líquidos inflamables o combustibles como gasolina, ni las use en áreas en las que estas sustancias puedan estar presentes.
- No utilice las aspiradoras de mano para seco/húmedo con el fin de recoger sustancias tóxicas, líquidos inflamables o combustibles como gasolina, ni las use en áreas en las que estas sustancias puedan estar presentes.
- No opere en presencia de vapores o líquidos explosivos o inflamables.
- Riesgo de descarga eléctrica No opere aparatos que posean un cable o cargador dañados, o después de un mal funcionamiento, aparatos que se dejan a la intemperie, se dejaron caer en el agua o que están dañados de alguna forma. Devuelva el aparato a cualquier instalación de mantenimiento autorizada.
- No utilice las aspiradoras de mano para seco a la intemperie o en superficies húmedas.
- No maltrate el cable. Nunca transporte el cargador o la base por el cable ni lo jale para desconectarlo de un tomacorriente; en cambio, tome el cargador y tire para desconectarlo. Mantenga el cable alejado de superficies calientes. No tire del cable cerca de bordes o esquinas afilados.
- No permita que el cable cuelgue sobre el borde de una mesa o mostrador, o toque superficies calientes. La unidad debe colocarse o montarse lejos de fregaderos y superficies calientes.
- No utilice un cable prolongador. Enchufe el cargador directamente en un tomacorriente.
- Utilice el cargador solamente en un tomacorriente estándar (120V/60Hz).
- No intente utilizar el cargador con cualquier otro producto; no intente cargar este producto con ningún otro cargador. Para realizar una recarga utilice sólo el cargador provisto por el fabricante.
- Mantenga el cabello, las ropas holgadas y todas las partes del cuerpo alejados de los orificios y de las piezas en movimiento.
- No inserte ningún accesorio mientras la unidad esté en funcionamiento.
- Riesgo de descarga eléctrica No toque el enchufe ni el aparato con las manos mojadas.
- No coloque objetos en los orificios de la unidad. No use la unidad con orificios bloqueados, manténgalos libres de polvo, pelusas, pelos y cualquier objeto que pueda reducir el flujo de aire.
- Riesgo de incendio. No utilice la aspiradora sobre materiales encendidos o humeantes como colillas de cigarrillos encendidas, fósforos o cenizas calientes.
- No utilice en o cerca de superficies calientes.
- Tenga especial precaución al limpiar las escaleras.
- Este aparato está diseñado para uso doméstico solamente y no para uso comercial o industrial.
- Úsela solamente de la manera que se describe en este manual. Utilice únicamente accesorios recomendados por el fabricante.
- Desconecte el cargador del tomacorriente antes de realizar una limpieza o mantenimiento de rutina.
- Este producto incluye baterías recargables de níquel-cadmio. No incinere las baterías porque explotan a temperaturas altas.
- Se pueden producir pérdidas de las celdas de la batería en condiciones extremas. Si el líquido, que es una solución de hidróxido de potasio del 20% al 35%, entra en contacto con la piel (1) lave rápidamente con agua y jabón o (2) neutralice con un ácido suave como jugo de limón o vinagre. Si el líquido de la batería entra en contacto con los ojos, lávelos con agua limpia durante al menos 10 minutos. Busque atención médica.
- No mire por los oficios de ventilación mientras la unidad está encendida, ya que a veces pueden expulsar pequeños desechos. Esto se debe tener en cuenta sobre todo después de la limpieza o el reemplazo de los filtros, porque se pueden remover los desechos dentro de la unidad.

## CONSERVE ESTE MANUAL

### Características del producto

1. Cerrojo de liberación para la tapa del depósito
2. Tapa del depósito
3. Botón de bloqueo y desbloqueo de rotación
4. Interruptor de encendido/apagado de dos velocidades
5. Disco de limpieza del filtro
6. Indicador de carga
7. Base cargadora
8. Boquilla de extensión prolongable
9. Boquilla giratoria
10. Herramienta para ranuras pequeñas
11. Cepillo para tapizados
12. Botón de liberación



## INSTALACIÓN

### AJUSTE DE LA BASE CARGADORA A LA PARED (FIG. A)

La base cargadora se puede colocar sobre una superficie de trabajo o se la puede ajustar a la pared para proporcionar un almacenamiento y un lugar de carga cómodos para la unidad.

## ENSAMBLAJE

### AJUSTE DE LA BOQUILLA GIRATORIA (FIG. B)

- La boquilla giratoria (9) se almacena debajo del aparato. Si desea regularla para su uso, levante el aparato de la base cargadora.
- Oprima el botón de bloqueo de rotación (3) y gire la boquilla hacia la posición requerida.
- Libere el botón de bloqueo de rotación para que se bloquee en posición.
- La boquilla giratoria se puede prolongar tirando de la pieza de extensión (8) hasta que quede fija en su lugar.
- Se puede retraer la extensión presionando el botón (12) y empujando la extensión hacia atrás dentro de la boquilla.
- Luego del uso y durante la carga, la boquilla giratoria debe volver a la posición de almacenamiento debajo del aparato.

### AJUSTE DE LOS ACCESORIOS (FIG. C)

- Estos modelos vienen con los siguientes accesorios:
- Una herramienta para ranuras (10) para los espacios estrechos.
  - Una herramienta con cepillos (11) para muebles y escaleras.
- Para colocar un accesorio, realice el siguiente procedimiento:
- Quite los accesorios de la base cargadora.
  - Inserte el accesorio adecuado en el frente del aparato.

## OPERACIÓN

- Antes del primer uso, cargue la batería por lo menos durante 16 horas.
- Coloque el aparato en la base cargadora cuando no esté en uso.

### CARGA DE LA BATERÍA (FIG. D)

- Asegúrese de que el aparato esté apagado.
- La batería no se cargará si el interruptor de encendido/apagado está en la posición de encendido.
- Coloque el aparato en la base cargadora como se muestra.
  - Enchufe el cargador.
- Se encenderá el indicador de carga (6).
- Deje que el aparato cargue por lo menos durante 16 horas.

### INSTRUCCIONES Y ADVERTENCIAS DE SEGURIDAD: CARGA

- Durante la carga, el cargador puede calentarse. Esto es normal y no indica un problema.
- El aparato se puede dejar conectado al cargador indefinidamente. El indicador de carga (6) permanecerá encendido mientras el aparato esté conectado al cargador enchufado.
- No cargue la batería a temperaturas ambientes inferiores 4 °C (39°F) o superiores a 40°C (104°F).

### ENCENDIDO Y APAGADO (FIG. E)

- Para encender el aparato, deslice hacia adelante el interruptor de encendido/apagado (4) hasta la posición número 1 (velocidad baja/tiempo de funcionamiento prolongado). Para alta velocidad (rendimiento máximo), deslice hacia adelante el interruptor de encendido/apagado (4) hasta la posición número 2.
- Para apagar el aparato, deslice el interruptor de encendido/apagado (4) hacia atrás.

### CÓMO COLGAR LA BASE CARGADORA (FIG. A)

- Utilice el equipo provisto sólo si desea colgar el aparato en una construcción de pared hueca convencional, como paredes de yeso o de roca. Si no desea colgar en paredes de yeso o roca convencionales, utilice los sujetadores adecuados para ese material.
- Ubique la base cargadora cerca de un tomacorriente.
  - Marque la posición de ambos orificios para colgar como se muestra en la figura A.
  - El tornillo de montaje inferior se debe insertar primero y atornillarlo a aproximadamente 3 mm (1/8") de la pared.
  - Coloque la base cargadora sobre la cabeza del tornillo hasta que quede en la posición correcta.
  - Verifique que la base cargadora esté derecha hacia arriba y abajo y ajuste el tornillo.
  - Inserte el tornillo superior y verifique que la base cargadora esté bien sujeta a la pared de modo que no se caiga.
  - Enchufe y coloque el producto en su lugar. La base cargadora se puede fijar, o simplemente colocar, en una posición vertical práctica.

### OPTIMIZACIÓN DE LA FUERZA DE SUCCIÓN (FIG. F)

- Para mantener la fuerza de succión optimizada, se deben despejar los filtros periódicamente durante el uso.
- Dé unas vueltas al disco (5) para sacudir el polvo que se atasca en los filtros.

### LIMPIEZA Y MANTENIMIENTO

**⚠ PRECAUCIÓN:** Limpie los filtros periódicamente (13 y 14).

### LIMPIEZA DEL DEPÓSITO DE POLVO Y LOS FILTROS (FIG. G - J)

- Los filtros son reutilizables y deben limpiarse periódicamente.
- Presione el cerrojo de liberación (1) y abra la tapa del depósito (2) (fig. G).
  - Retire los filtros (13 y 14) girándolos en sentido contrario a las agujas del reloj (fig. H).
  - Vacíe el depósito de polvo (fig. I).
  - Cepille los filtros para quitar el polvo restante.
  - Lave los filtros con agua jabonosa tibia (fig. J).
  - Asegúrese que los filtros estén secos.
  - Vuelva a colocar los filtros (13 y 14) en el aparato, girándolos en sentido de las agujas del reloj hasta que se ajusten en su lugar.
  - Cierre la tapa del depósito (2). Asegúrese de que el cerrojo de liberación (1) produzca un sonido seco y quede firme en su lugar.

**⚠ ADVERTENCIA: Peligro para las vías respiratorias y de emisión de proyectiles:** nunca utilice el aparato sin los filtros. Sólo se logrará una recolección de polvo óptima con filtros limpios.

### REEMPLAZO DE LOS FILTROS

- Los filtros se deben reemplazar cada 6 a 9 meses y cuando estén gastados o dañados. Pueden encontrar los filtros de reemplazo en su comercio Black & Decker (Nº. de catálogo PVF100):
- Retire los filtros viejos como se describe arriba.
  - Coloque los filtros nuevos según la descripción anterior.

### MANTENIMIENTO

Para limpiar la herramienta, sólo utilice jabón suave y un paño húmedo. Nunca permita que penetre líquido dentro de la herramienta ni sumerja ninguna de las piezas en un líquido.

**IMPORTANTE:** Para garantizar la SEGURIDAD y la CONFIABILIDAD del producto, las reparaciones, el mantenimiento y los ajustes (los que no estén enumerados en este manual) deben ser realizados por los centros de mantenimiento autorizados u otro personal de mantenimiento calificado, y siempre deben utilizarse piezas de repuesto idénticas.

### Detección de problemas

Problema	Causa posible	Solución posible
• La unidad no enciende.	• La batería no carga.	• Verifique los requisitos de carga de la batería.
• La batería no carga.	• El cargador no está enchufado.	• Enchufe el cargador en un tomacorriente que funcione.
		Para conocer más detalles, consulte "Notas importantes sobre la carga".
		• Compruebe la corriente en el tomacorriente enchufando una lámpara u otro aparato.
		• Verifique si el tomacorriente está conectado a un interruptor que corta la energía cuando usted apaga la luz.
		• Mueva el cargador y la herramienta a un ambiente con una temperatura superior a 4,5 °C (40 °F) o inferior a 40,5 °C (105 °F).
	• Temperatura ambiental demasiado caliente o demasiado fría.	

Para recibir ayuda con su producto, visite nuestro sitio Web [www.blackanddecker.com](http://www.blackanddecker.com) y conozca la ubicación del centro de Servicio más cercano a su domicilio o llame a la línea de ayuda de BLACK & DECKER al **1-800-544-6986**.

### ACCESORIOS

Los accesorios que se recomiendan para la herramienta están disponibles en su distribuidor local o en el centro de mantenimiento autorizado. Si necesita asistencia en relación con los accesorios, por favor llame al: **(55)5326-7100**

**⚠ ADVERTENCIA:** El uso de accesorios no recomendados para utilizar con esta herramienta puede resultar peligroso.

### REMOCIÓN Y ELIMINACIÓN DE LA BATERÍA

Este producto utiliza baterías de níquel-cadmio (Ni-Cd) recargables y reciclables. Cuando las baterías ya no mantengan la carga, es necesario retirarlas de la aspiradora y reciclarlas. No se deben incinerar ni someter a un proceso de compostaje.

Para eliminar la batería, puede llevarla a un Centro de mantenimiento Black & Decker propio o autorizado. Algunos comercios minoristas locales participan de un programa nacional de reciclado (ver "Sello RBRC™"). Llame a su comercio minorista local para obtener más información. Si trae las baterías a un Centro de mantenimiento Black & Decker propio o autorizado, el Centro se ocupará de reciclarlas. O bien, consulte en la municipalidad de su localidad para conocer las instrucciones de desecho adecuadas de su ciudad o localidad.

Remoción y desecho de baterías:

- 1.) Primero, antes de intentar desarmar el producto, enciéndalo y póngalo en funcionamiento hasta que el motor se haya detenido completamente, asegurándose de que las baterías se descarguen completamente.
- 2.) Asegúrese de que la boquilla esté fuera de la posición de almacenamiento.
- 3.) Con un destornillador Phillips, retire los siete tornillos que fijan las dos mitades de la caja.
- 4.) Levante la cubierta de la batería del montaje.
- 5.) Retire el único tornillo que asegura el montaje del motor. (ubicado en la parte inferior de la unidad, adyacente al depósito).
- 6.) Levante y retire el montaje del motor.
- 7.) Retire los tres tornillos en la cubierta, levántela y retírela del montaje, exponiendo así las baterías.
- 8.) Retire las conexiones del motor y quítelo del ensamblaje.
- 9.) Retire todas las conexiones de los conductores y quite las baterías de la cubierta.
- 10.) Deseche las baterías según las pautas recomendadas.

### EL SELLO RBRC™

El sello RBRC™ (Corporación de reciclado de baterías recargables) que se encuentra sobre la batería de níquel-cadmio (o paquete de batería) indica que los costos para reciclar la batería (o el paquete de batería) al final de su vida útil ya han sido pagados por Black & Decker. En algunas zonas, es ilegal tirar las baterías usadas de níquel-cadmio en la basura o en el flujo de desechos sólidos del municipio. El programa RBRC proporciona una alternativa de conciencia sobre el cuidado del medio ambiente. RBRC en cooperación con Black & Decker y otros usuarios de baterías, estableció programas en los Estados Unidos y Canadá para facilitar la recolección de baterías de níquel-cadmio ya usadas. Ayude a proteger nuestro medio ambiente y a conservar los recursos naturales devolviendo las baterías de níquel-cadmio ya usadas a un centro de mantenimiento autorizado Black & Decker o a un comerciante minorista para que sean recicladas. También puede comunicarse con el centro de reciclado para obtener información o dónde dejar las baterías, o llame al **(55)5326-7100**.



### Información del servicio técnico

Todos los Centros de mantenimiento de Black & Decker cuentan con personal altamente capacitado dispuesto a brindar a todos los clientes un servicio eficiente y confiable en la reparación de herramientas eléctricas. Si necesita consejo técnico, reparaciones o piezas de repuesto originales de fábrica, póngase en contacto con el Centro de Servicio de Black & Decker más cercano a su domicilio. Para ubicar su Centro de mantenimiento local, consulte la sección "Herramientas eléctricas" (Tools-Electric) de las páginas amarillas, llame al **(55)5326-7100** o visite nuestro sitio [www.blackanddecker.com](http://www.blackanddecker.com).

### Garantía completa de dos años para uso en el hogar

Black & Decker (Estados Unidos) Inc. ofrece una garantía de dos años por cualquier defecto del material o de fabricación de este producto. El producto defectuoso se reparará o reemplazará sin costo alguno de dos maneras.

La primera opción, el reemplazo, es devolver el producto al comercio donde se lo adquirió (siempre y cuando se trate de un comercio participante). Las devoluciones deben realizarse conforme a la política de devolución del comercio (generalmente, entre 30 y 90 días posteriores a la venta). Le pueden solicitar comprobante de compra. Consulte en el comercio acerca de la política especial sobre devoluciones una vez excedido el plazo establecido.

La segunda opción es llevar o enviar el producto (con flete pago) a un Centro de mantenimiento propio o autorizado de Black & Decker para su reparación o reemplazo según nuestro criterio. Le pueden solicitar el comprobante de compra. Los Centros de mantenimiento autorizados y de propiedad de Black & Decker se detallan en la sección "Herramientas eléctricas" (Tools-Electric) de las páginas amarillas de la guía telefónica. Esta garantía no se extiende a los accesorios. Esta garantía le concede derechos legales específicos; usted puede tener otros derechos que pueden variar según el estado o la provincia. Si tiene alguna pregunta, comuníquese con el gerente del Centro de mantenimiento de Black & Decker de su zona. Este producto no está diseñado para uso comercial.

Reemplazo gratuito de las etiquetas de advertencia: si sus etiquetas de advertencia se tornan ilegibles o faltan, llame al **(55)5326-7100** para que se le reemplacen gratuitamente.

**REEMPLAZO GRATUITO DE LAS ETIQUETAS DE ADVERTENCIAS:** si sus etiquetas de advertencia se tornan ilegibles o faltan, llame al **(55)5326-7100** para que se le reemplacen gratuitamente.

### Para reparación y servicio de sus herramientas eléctricas, favor de dirigirse al Centro de Servicio más cercano:

<b>CULIACAN, SIN</b> Av. Nicolás Bravo #1063 Sur (667) 7 12 42 11 Col. Industrial Bravo	<b>MONTERREY, N.L.</b> Av. Francisco I. Madero No.831 (81) 8375 2313 Col. Centro	<b>TORREON, COAH</b> Blvd. Independencia, 96 Pte. (871) 716 5265 Col. Centro
<b>GUADALAJARA, JAL</b> Av. La Paz #1779 (33) 3825 6978 Col. Americana Sector Juárez	<b>PUEBLA, PUE</b> 17 Norte #205 (222) 246 3714 Col. Centro	<b>VERACRUZ, VER</b> Prolongación Díaz Mirón #4280 (229)921 7016 Col. Remes
<b>MEXICO, D.F.</b> Eje Central Lázaro Cardenas No. 18 (55) 5588 9377 Local D, Col. Obrera	<b>QUERETARO, QRO</b> Av. Madero 139 Pte. (442) 214 1660 Col. Centro	<b>VILLAHERMOSA, TAB</b> Constitución 516-A (993) 312 5111 Col. Centro
<b>MERIDA, YUC</b> Calle 63 #459-A (999) 928 5038 Col. Centro	<b>SAN LUIS POTOSI, SLP</b> Av. Universidad 1525 (444) 814 2383 Col. San Luis	

**PARA OTRAS LOCALIDADES LLAME AL: (55) 5326 7100**

**Black & Decker, S.A. de C.V.**  
**ESPECIFICACIONES**  
Cargador: 120V AC, (10 W) 60Hz  
Salida: 24 V, DC @ 200mA

**Vea "Herramientas eléctricas (Tools-Electric)" – Páginas amarillas – para Servicio y ventas**



BLACK & DECKER S.A. DE C.V.  
BOSQUES DE CIDROS ACCESO RADIATAS NO. 42  
COL. BOSQUES DE LAS LOMAS.  
05120 MÉXICO, D.F.  
TEL. 55-5326-7100