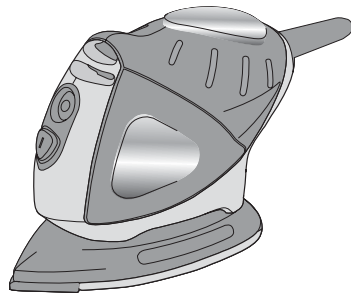




Mouse / Sander Polisher

INSTRUCTION MANUAL

Catalog Numbers MS550GB, MS550GH



BEFORE RETURNING THIS PRODUCT FOR ANY REASON PLEASE CALL

1-800-544-6986

IF YOU SHOULD EXPERIENCE A PROBLEM WITH YOUR BLACK & DECKER PRODUCT, CALL 1-800-544-6986

BEFORE YOU CALL, HAVE THE FOLLOWING INFORMATION AVAILABLE, CATALOG No., TYPE No., AND DATE CODE. IN MOST CASES, A BLACK & DECKER REPRESENTATIVE CAN RESOLVE THE PROBLEM OVER THE PHONE. IF YOU HAVE A SUGGESTION OR COMMENT, GIVE US A CALL. YOUR FEEDBACK IS VITAL TO BLACK & DECKER.

KEY INFORMATION YOU SHOULD KNOW:

- Never operate the sander without a recommended sanding sheet properly installed on the base.
- The hook and loop pad and individual bases are replaceable parts. If they become worn, return the unit to a local service center for repair.
- Do not push down—let the sander do the work.
- Extended drywall sanding is not recommended for this product.

SAVE THIS MANUAL FOR FUTURE REFERENCE.

VEA EL ESPAÑOL EN LA CONTRAPORTADA.

INSTRUCTIVO DE OPERACIÓN, CENTROS DE SERVICIO Y PÓLIZA DE GARANTÍA. ADVERTENCIA: LÉASE ESTE INSTRUCTIVO ANTES DE USAR EL PRODUCTO.

CAT. NO. MS550GB, MS550GH FORM NO. 589307-02 Copyright Black & Decker © 2005 (May '05) Printed in China

GENERAL SAFETY RULES

WARNING: Read and understand all instructions. Failure to follow all instructions listed below may result in electric shock, fire and/or serious personal injury.

SAVE THESE INSTRUCTIONS

Work Area

- **Keep your work area clean and well lit.** Cluttered benches and dark areas invite accidents.
- **Do not operate power tools in explosive atmospheres, such as in the presence of flammable liquids, gases, or dust.** Power tools create sparks which may ignite the dust or fumes.
- **Keep bystanders, children, and visitors away while operating a power tool.** Distractions can cause you to lose control.

Electrical Safety

- **Double insulated tools are equipped with a polarized plug (one blade is wider than the other.) This plug will fit in a polarized outlet only one way. If the plug does not fit fully in the outlet, reverse the plug. If it still does not fit, contact a qualified electrician to install a polarized outlet. Do not change the plug in any way.** Double Insulation eliminates the need for the three wire grounded power cord and grounded power supply system.
- **Avoid body contact with grounded surfaces such as pipes, radiators, ranges and refrigerators.** There is an increased risk of electric shock if your body is grounded.
- **Don't expose power tools to rain or wet conditions.** Water entering a power tool will increase the risk of electric shock.
- **Do not abuse the cord. Never use the cord to carry the tools or pull the plug from an outlet. Keep cord away from heat, oil, sharp edges or moving parts. Replace damaged cords immediately.** Damaged cords increase the risk of electric shock.
- **When operating a power tool outside, use an outdoor extension cord marked "W-A" or "W."** These cords are rated for outdoor use and reduce the risk of electric shock.

Personal Safety

- **Stay alert, watch what you are doing and use common sense when operating a power tool. Do not use tool while tired or under the influence of drugs, alcohol, or medication.** A moment of inattention while operating power tools may result in serious personal injury.
- **Dress properly. Do not wear loose clothing or jewelry. Contain long hair. Keep your hair, clothing, and gloves away from moving parts.** Loose clothing, jewelry, or long hair can be caught in moving parts. Air vents cover moving parts and should be avoided.
- **Avoid accidental starting. Be sure switch is off before plugging in.** Carrying tools with your finger on the switch or plugging in tools that have the switch on invites accidents.
- **Remove adjusting keys or wrenches before turning the tool on.** A wrench or key that is left attached to a rotating part of the tool may result in personal injury.
- **Do not overreach. Keep proper footing and balance at all times.** Proper footing and balance enables better control of the tool in unexpected situations.
- **Use safety equipment. Always wear eye protection.** Dust mask, non-skid safety shoes, hard hat, or hearing protection must be used for appropriate conditions.

Tool Use and Care

- **Use clamps or other practical way to secure and support the workpiece to a stable platform.** Holding the work by hand or against your body is unstable and may lead to loss of control.
- **Do not force tool. Use the correct tool for your application.** The correct tool will do the job better and safer at the rate for which it is designed.
- **Do not use tool if switch does not turn it on or off.** Any tool that cannot be controlled with the switch is dangerous and must be repaired.
- **Disconnect the plug from the power source before making any adjustments, changing accessories, or storing the tool.** Such preventative safety measures reduce the risk of starting the tool accidentally.

- **Store idle tools out of reach of children and other untrained persons.** Tools are dangerous in the hands of untrained users.
- **Maintain tools with care. Keep cutting tools sharp and clean.** Properly maintained tools, with sharp cutting edges are less likely to bind and are easier to control.
- **Check for misalignment or binding of moving parts, breakage of parts, and any other condition that may affect the tools operation. If damaged, have the tool serviced before using.** Many accidents are caused by poorly maintained tools.
- **Use only accessories that are recommended by the manufacturer for your model.** Accessories that may be suitable for one tool, may become hazardous when used on another tool.

Service

- **Tool service must be performed only by qualified repair personnel.** Service or maintenance performed by unqualified personnel could result in a risk of injury.
- **When servicing a tool, use only identical replacement parts. Follow instructions in the Maintenance section of this manual.** Use of unauthorized parts or failure to follow Maintenance Instructions may create a risk of electric shock or injury.

Specific Safety Rules

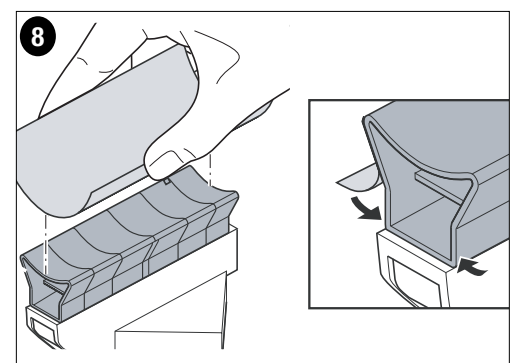
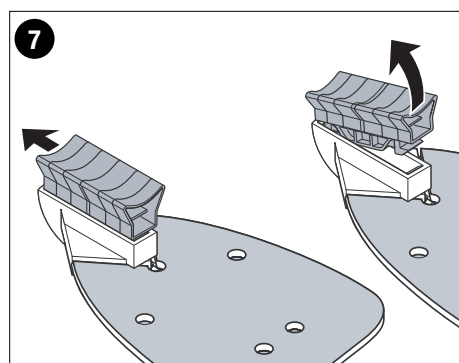
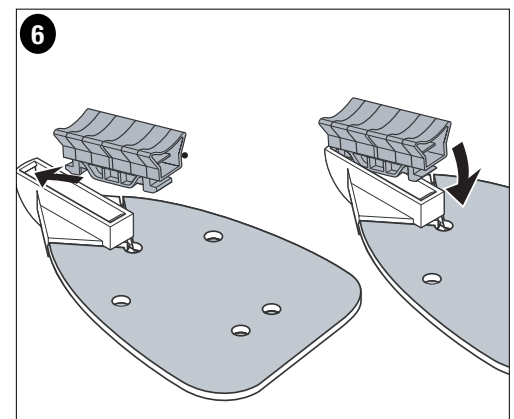
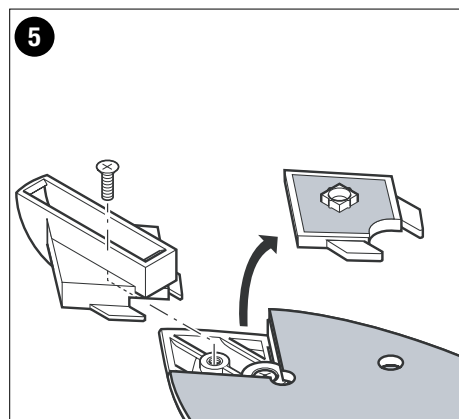
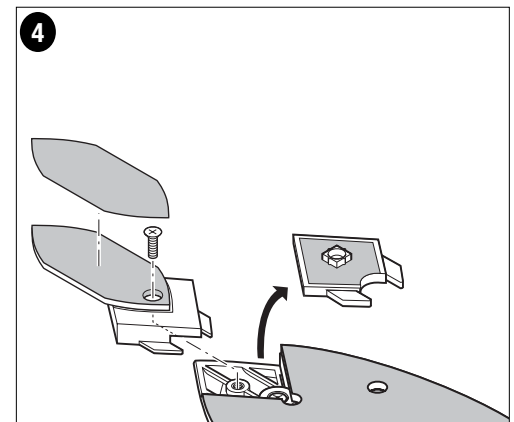
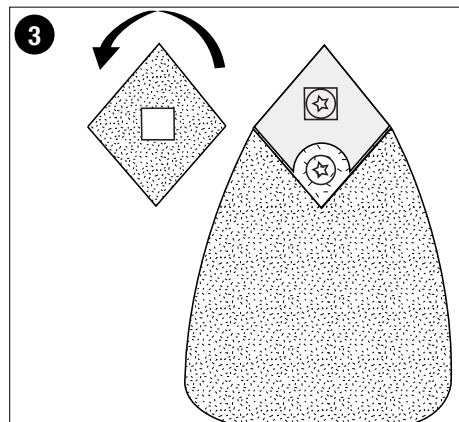
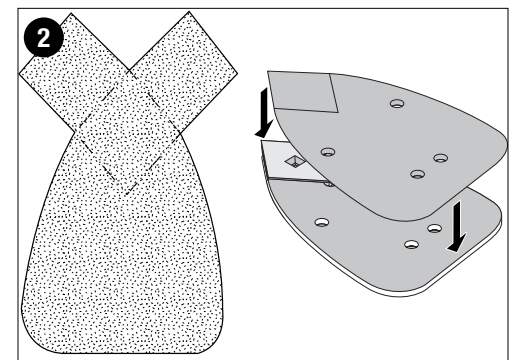
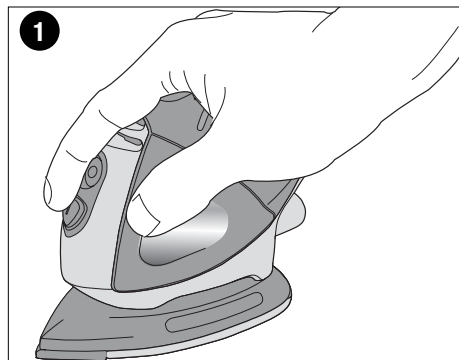
- **Hold tool by insulated gripping surfaces when performing an operation where the cutting tool may contact hidden wiring or its own cord.** Contact with a "live" wire will make exposed metal parts of the tool "live" and shock the operator.
 - ⚠ **WARNING: Some dust created by power sanding, sawing, grinding, drilling, and other construction activities contains chemicals known to cause cancer, birth defects or other reproductive harm. Some examples of these chemicals are:**
 - lead from lead-based paints,
 - crystalline silica from bricks and cement and other masonry products, and
 - arsenic and chromium from chemically-treated lumber (CCA).
- Your risk from these exposures varies, depending on how often you do this type of work. To reduce your exposure to these chemicals: work in a well ventilated area, and work with approved safety equipment, such as those dust masks that are specially designed to filter out microscopic particles.
- **Avoid prolonged contact with dust from power sanding, sawing, grinding, drilling, and other construction activities. Wear protective clothing and wash exposed areas with soap and water.** Allowing dust to get into your mouth, eyes, or lay on the skin may promote absorption of harmful chemicals.
 - ⚠ **WARNING: Use of this tool can generate and/or disperse dust, which may cause serious and permanent respiratory or other injury.** Always use NIOSH/OSHA approved respiratory protection appropriate for the dust exposure. Direct particles away from face and body.
 - ⚠ **CAUTION: Wear appropriate hearing protection during use.** Under some conditions and duration of use, noise from this product may contribute to hearing loss.

First Aid Measures for Gel Components

If gel within the comfort grip becomes exposed and results in skin contact wash with soap and water; for eye contact, flush with flowing water. If swallowed, seek medical attention. Material Safety Data Sheet (MSDS) available from 1-800-544-6986

The label on your tool may include the following symbols.

| | |
|-----------------------------|--|
| V.....volts | A.....amperes |
| Hz.....hertz | W.....watts |
| min.....minutes | ~ alternating current |
| ==== direct current | n _ono load speed |
| □.....Class II Construction | ⊕.....earthing terminal |
| ⚠.....safety alert symbol | .../min.....revolutions or reciprocations per minute |



⚠ Safety Warnings and Instructions: Sanders

- ALWAYS WEAR EYE AND RESPIRATORY PROTECTION.
- Clean your tool out periodically.

⚠ Other Important Safety Warnings and Instructions

Extension Cords

When using an extension cord, be sure to use one heavy enough to carry the current your product will draw. An undersized cord will cause a drop in line voltage resulting in loss of power and overheating. The following table shows the correct size to use depending on cord length and nameplate ampere rating. If in doubt, use the next heavier gage. The smaller the gage number, the heavier the cord.

| Volts | Minimum Gage for Cord Sets | | | |
|-------|------------------------------|--------|---------|---------|
| | Total Length of Cord in Feet | | | |
| 120V | 0-25 | 26-50 | 51-100 | 101-150 |
| 240V | 0-50 | 51-100 | 101-200 | 201-300 |

| Ampere Rating | | American Wire Gage | | | |
|---------------|---------------|--------------------|----|----|-----------------|
| More Than | Not more Than | | | | |
| 0 | - 6 | 18 | 16 | 16 | 14 |
| 6 | - 10 | 18 | 16 | 14 | 12 |
| 10 | - 12 | 16 | 16 | 14 | 12 |
| 12 | - 16 | 14 | 12 | | Not Recommended |

Sanding

Lead Based Paint

Sanding of lead based paint is NOT RECOMMENDED due to the difficulty of controlling the contaminated dust. The greatest danger of lead poisoning is to children and pregnant women.

Since it is difficult to identify whether or not a paint contains lead without a chemical analysis, we recommend the following precautions when sanding any paint:

Personal Safety

- No children or pregnant women should enter the work area where the paint sanding is being done until all clean up is completed.
- A dust mask or respirator should be worn by all persons entering the work area. The filter should be replaced daily or whenever the wearer has difficulty breathing.
- **NOTE:** Only those dust masks suitable for working with lead paint dust and fumes should be used. Ordinary painting masks do not offer this protection. See your local hardware dealer for the proper (NIOSH approved) mask.
- NO EATING, DRINKING or SMOKING should be done in the work area to prevent ingesting contaminated paint particles. Workers should wash and clean up BEFORE eating, drinking or smoking. Articles of food, drink, or smoking should not be left in the work area where dust would settle on them.

Environmental Safety

- Paint should be removed in such a manner as to minimize the amount of dust generated.
- Areas where paint removal is occurring should be sealed with plastic sheeting of 4 mils thickness.
- Sanding should be done in a manner to reduce tracking of paint dust outside the work area.

Cleaning and Disposal

- All surfaces in the work area should be vacuumed and thoroughly cleaned daily for the duration of the sanding project. Vacuum filter bags should be changed frequently.
- Plastic drop cloths should be gathered up and disposed of along with any dust chips or other removal debris. They should be placed in sealed refuse receptacles and disposed of through regular trash pick-up procedures. During clean up, children and pregnant women should be kept away from the immediate work area.
- All toys, washable furniture and utensils used by children should be washed thoroughly before being used again.

Motor

Be sure your power supply agrees with nameplate marking. 120 Volts AC only means your tool will operate on standard 60 Hz household power. Do not operate AC tools on DC. A rating of 120 volts AC/DC means that you tool will operate on standard 60 Hz AC or DC power. This information is printed on the nameplate. Lower voltage will cause loss of power and can result in over-heating. All Black & Decker tools are factory-tested; if this tool does not operate, check the power supply.

Operating Instructions

⚠ **WARNING:** To reduce the risk of serious personal injury, read, understand and follow all important safety warnings and instructions prior to using this tool.

Switch

To turn the tool ON, hold it as shown in Figure 1 and push the portion of the switch marked "I". To turn the tool OFF, push the portion of the switch marked "O".

Operation

Grasp product as shown in Figure 1 and turn it on. Move it in long sweeping strokes across the surface, letting it do the work. Light pressure is all that is required for sanding, polishing or scrubbing. Excessive pressure will slow the tool and produce inferior results. Check your work often, product is capable of removing material rapidly.

⚠ **CAUTION:** Under no circumstances should this product be used near water.

⚠ **WARNING:** Always unplug product from power supply before any of the following operations.

Detail Sanding

Your tool is equipped with a teardrop base which allows you to use it on large flat surfaces and tight spots or corners.

The pad tips may wear unevenly, depending on use. The pads are designed to allow you to interchange and /or rotate the diamond tip.

Fitting Sanding Sheets (Fig. 2)

- Detach the two diamond-shaped tips from the sanding sheet.
- Hold the tool with the sanding base facing upwards.
- Place the sanding sheet onto the sanding base.
- The diamond-shaped tip can be reversed and replaced when worn.
- When the front part of the tip is worn, detach it from the sheet, reverse it and press it onto the sanding base again.
- When the whole tip is worn, remove it from the sanding base and fit a new tip.

Tip of the Sanding Base (Fig. 3)

When the sanding base tip is worn, it can be reversed or replaced.

- Remove the screw.
- Reverse or replace the worn part.
- Fit and tighten the screw.

Finger Attachment (Fig. 4)

The finger attachment is used for fine detail sanding.

- Remove the screw.
- Remove the diamond-shaped tip holder from the sanding base.
- Fit the finger attachment onto the sanding base.
- Fit and tighten the screw.

Contour Holder Attachment (Fig. 5)

- The contour sanding pieces are for sanding curved surfaces and grooves.
- Remove the screw.
- Remove the diamond-shaped tip holder from the sanding base.
- Fit the contour holder onto the sanding base.
- Fit and tighten the screw.

Fitting and Removing a Contour Piece (Fig. 6 & 7)

- Choose the contour sanding piece profile most suitable for your application.
- Place one end of the contour sanding piece into the recess at the front end of the profile holder.
- Push the other end of the contour sanding piece until it clicks into place.

- **To remove the contour sanding piece, push it forward then pull the rear end out of the profile holder (fig. 7).**

Fitting a Sanding Sheet Onto a Contour Sanding Piece (Fig. 8)

- Align the sanding sheet with the contour sanding piece.
- Press the sanding sheet onto the contour sanding piece, making sure that the sanding sheet follows the shape of the profile.

Maintenance

Use only mild soap and damp cloth to clean the tool. Never let any liquid get inside the tool; never immerse any part of the tool into a liquid.

IMPORTANT: To assure product SAFETY and RELIABILITY, repairs, maintenance and adjustment should be performed by authorized service centers or other qualified service organizations, always using identical replacement parts.

Accessories

Look for the following Mouse™ accessories at your local retailer.

| Catalog # | Description | Contents |
|-----------|----------------------------|---|
| 74-583 | 120 Medium Sandpaper | 5 sheets |
| 74-584 | 180 Fine Sandpaper | 5 sheets |
| 74-585 | 220 Extra Fine Sandpaper | 5 sheets |
| 74-586 | Sandpaper Assortment | 1 sheet of 120 grit paper, 2 sheets each 180, 220 paper |
| 74-587 | Finger Attachment Paper | 5 fingers each of 120, 180, 220 |
| 74-588 | 1 OT Power Wool | 3 sheets |
| 74-589 | 4 OT Power Wool | 3 sheets |
| 74-581 | Polishing Kit | 2 sheets of 1 OT power wool, 2 sheets of 4 OT power wool, 2 foam pads |
| 74-582 | Scrubbing Kit | 2 coarse abrasive pads, 2 fine abrasive pads, 2 foam pads |
| 74-580 | Sanding/Polishing Kit | 2 sheets of 1 OT power wool, 2 sheets of 180 grit sandpaper, 2 sheets of 240 grit sandpaper, 2 foam pads, 5 finger attachment paper |
| 74-671 | Universal Sandpaper/Coarse | 5 sheets of 80 grit |
| 74-672 | Universal Sandpaper/Med. | 5 sheets of 120 grit |
| 74-673 | Universal Sandpaper/Fine | 5 sheets of 220 grit |
| 74-654 | Universal Sandpaper | Assortment |

Recommended accessories for use with your tool are available at extra cost. Listings per retailer may vary. The hook and loop pad and individual bases are replaceable parts. If they become worn, contact your local service center. For more information call:

1-800-544-6986.

⚠ **WARNING:** The use of any accessory not recommended for use with this tool could be hazardous.

Application / Accessory Matrix

| ACCESSORY | RECOMMENDED APPLICATIONS / USES |
|---------------------------------|--|
| MEDIUM GRIT SANDPAPER | PAINT, VARNISH, RUST REMOVAL |
| FINE GRIT SANDPAPER | SURFACE BLENDING AND FINISHING |
| EXTRA FINE GRIT SANDPAPER | SANDING BETWEEN COATS OF PAINT OR VARNISH |
| DETAIL SANDING TIPS | CORNERS / HARD TO REACH PLACES |
| 1 OT POLISHING / STRIPPING WOOL | POLISHING METALS / STRIPPING VARNISH OR URETHANE |
| 4 OT FINE POLISHING WOOL | FINE POLISHING, SATIN FINISH ON PAINT / VARNISH / URETHANE |
| GREY FOAM PAD | APPLYING AND REMOVING POLISH |
| WHITE NON-WOVEN PAD | LIGHT SCRUBBING |
| RED NON-WOVEN PAD | HEAVY SCRUBBING / RUST REMOVAL |

The pads described above are available in kits where Mouse products are sold. The hook and loop pad and individual bases are replaceable parts. If they become worn, contact your local service center. For more information call **1-800-544-6986**.

Service Information

Black & Decker offers a full network of company-owned and authorized service locations throughout North America. All Black & Decker Service Centers are staffed with trained personnel to provide customers with efficient and reliable power tool service.

Whether you need technical advice, repair, or genuine factory replacement parts, contact the Black & Decker location nearest you.

To find your local service location, refer to the yellow page directory under "Tools—Electric" or call: **1-800-544-6986**.

Full Two-Year Home Use Warranty

Black & Decker (U.S.) Inc. warrants this product for two years against any defects in material or workmanship. The defective product will be replaced or repaired at no charge in either of two ways.

The first, which will result in exchanges only, is to return the product to the retailer from whom it was purchased (provided that the store is a participating retailer). Returns should be made within the time period of the retailer's policy for exchanges (usually 30 to 90 days after the sale). Proof of purchase may be required. Please check with the retailer for their specific return policy regarding returns that are beyond the time set for exchanges.

The second option is to take or send the product (prepaid) to a Black & Decker owned or authorized Service Center for repair or replacement at our option. Proof of purchase may be required. Black & Decker owned and authorized Service Centers are listed under "Tools-Electric" in the yellow pages of the phone directory and on our website www.blackanddecker.com.

This warranty does not apply to accessories. This warranty gives you specific legal rights and you may have other rights which vary from state to state. Should you have any questions, contact the manager of your nearest Black & Decker Service Center. This product is not intended for commercial use.

FREE WARNING LABEL REPLACEMENT: If your warning labels become illegible or are missing, call **1-800-544-6986** for a free replacement.

Black & Decker (U.S.) Inc.,
701 E. Joppa Rd.
Towson, MD 21286 U.S.A.



See 'Tools-Electric'
- Yellow Pages -
for Service & Sales



**AVANT DE RETOURNER CE PRODUIT POUR QUELQUE
RAISON QUI SOIT, VEUILLEZ APPELER AU
1-800-54-HOW-TO (544-6986)**

RENSEIGNEMENTS IMPORTANTS

- Ne jamais utiliser l'outil sans le papier abrasif recommandé bien installé sur le socle muni.
- Le tampon les socles individuels peuvent être remplacés. Lorsqu'ils sont usés, confier la réparation de l'outil au personnel d'un centre de service.
- Ne pas appuyer sur l'outil; laisser la ponceuse faire le travail.
- Il est déconseillé de poncer pendant de longues durées des murs secs avec l'outil.

CONSERVER LE PRÉSENT GUIDE À TITRE DE RÉFÉRENCE.

⚠ MESURES DE SÉCURITÉ

⚠ **AVERTISSEMENT :** Lire et comprendre toutes les directives. Le non-respect de toutes les directives suivantes présente des risques de secousses électriques, d'incendie ou de blessures graves.

CONSERVER CES MESURES.

Zone de travail

- S'assurer que la zone de travail est propre et bien éclairée.** Des établis encombrés et des endroits sombres présentent des risques d'accidents.
- Ne pas utiliser des outils électriques en présence de vapeurs explosives (comme celles dégagées par des liquides, des gaz ou des poussières inflammables).** Les étincelles générées par le moteur des outils électriques peuvent enflammer les poussières ou les vapeurs.
- Éloigner les curieux, les enfants et les visiteurs de la zone de travail lorsqu'on utilise un outil électrique.** Une distraction peut entraîner la perte de maîtrise de l'outil.

Mesures de sécurité relatives à l’électricité

- Les outils à double isolation comportent une fiche polarisée (une lame plus large que l'autre). La fiche n'entre que d'une façon dans une prise polarisée. Lorsque la fiche n'entre pas à fond dans la prise, essayer de nouveau après avoir inversé les broches de la fiche. Si la fiche n'entre toujours pas dans la prise, communiquer avec un électricien certifié afin de faire installer une prise polarisée. Ne modifier en aucune façon la fiche.** La double isolation ☐ élimine le besoin d'un cordon trifilaire mis à la terre et d'un système d'alimentation mis à la terre.
- Éviter de toucher à des surfaces mises à la terre comme des tuyaux, des radiateurs, des cuisinières et des réfrigérateurs.** Les risques de secousses électriques sont plus élevés si le corps de l'utilisateur est mis à la terre.
- Protéger les outils électriques de la pluie ou des conditions mouillées.** Une infiltration d'eau dans l'outil augmente les risques de secousses électriques.
- Manipuler le cordon avec soin. Ne jamais se servir du cordon afin de transporter l'outil ni tirer sur le cordon pour débrancher l'outil. Éloigner le cordon des sources de chaleur, des flaqes d'huile, des arêtes tranchantes et des pièces mobiles. Remplacer immédiatement les cordons endommagés.** Les cordons endommagés augmentent les risques de secousses électriques.
- Lorsqu'on utilise un outil électrique à l'extérieur, se servir d'un cordon de rallonge prévu pour l'extérieur, portant la mention "W-A" ou "W"**. Ces cordons sont conçus pour servir à l'extérieur et minimisent les risques de secousses électriques.

Sécurité personnelle

- Ne pas se servir de l’outil lorsqu'on est fatigué ou affaibli par des drogues, de l'alcool ou des médicaments.** De graves blessures peuvent résulter d'un moment d'inattention lors de l'utilisation d'un outil électrique.
- Porter des vêtements appropriés. Éviter de porter des vêtements amples ou des bijoux. Recouvrir la chevelure si elle est longue. Éloigner les cheveux, les vêtements et les gants des pièces en mouvement** qui peuvent les happer.
- Éviter les démarrages accidentels. S'assurer que l'interrupteur est en position hors tension avant de brancher l'outil.** Afin d'éviter les risques de blessures, ne pas transporter l'outil avec le doigt sur l'interrupteur ni brancher un outil dont l'interrupteur est en position sous tension.
- Enlever les clés de réglage avant de mettre l'outil sous tension.** Une clé qui est laissée sur une pièce rotative de l'outil présente des risques de blessures.
- Ne pas dépasser sa portée. Garder son équilibre en tout temps.** On s'assure d'une meilleure maîtrise de l'outil dans des situations imprévues grâce à une position stable et un bon équilibre.
- Porter de l'équipement de sécurité. Toujours porter des lunettes de sécurité.** Dans certaines conditions, il faut porter des masques respiratoires, des chaussures antidérapantes, un casque de sécurité ou des protège-tympans.

Utilisation et entretien de l’outil

- Utiliser des pinces de serrage ou de tout autre moyen pratique afin de fixer et de soutenir la pièce à ouvrir sur une plate-forme stable.** La pièce est instable lorsqu'elle est retenue par la main ou le corps de l'utilisateur. Cela présente des risques de perte de maîtrise de l'outil.
- Ne pas forcer l'outil. Utiliser l'outil approprié à la tâche.** L'outil approprié fonctionne mieux et sûrement lorsqu'on s'en sert à son rendement nominal.
- Ne pas se servir de l'outil lorsque l'interrupteur est défectueux.** Le cas échéant, l'outil est dangereux et il faut le réparer.
- Débrancher l'outil de la source d'alimentation avant de le régler, d'en remplacer les accessoires ou de le ranger.** On minimise de la sorte le risque de démarrage accidentel de l'outil.
- Ranger l'outil hors de portée des enfants et de toute autre personne qui n'en connaît pas le fonctionnement.** L'outil est dangereux entre les mains de ces personnes.
- Prendre soin des outils. S'assurer que les outils de coupe sont tranchants et propres.** Des outils bien entretenus à arêtes tranchantes ont moins tendance à se coincer et ils se maîtrisent mieux.
- Vérifier l'alignement et les attaches des pièces mobiles, le degré d'usure des pièces ainsi que tout autre facteur susceptible de nuire au bon fonctionnement de l'outil. Faire réparer un outil endommagé avant de s'en servir.** Des outils mal entretenus sont la cause de nombreux accidents.
- Utiliser seulement les accessoires recommandés par le fabricant.** Des accessoires qui conviennent à un outil peuvent présenter des risques avec un autre outil.

Entretien

- Confier l'entretien de l'outil seulement à du personnel qualifié.** Le non-respect de la présente directive présente des risques de blessures.
- Lors de l'entretien de l'outil, utiliser seulement des pièces de rechange identiques. Respecter les consignes relatives à l'entretien du présent guide d'utilisation.** Il y a risque de secousses électriques ou de blessures lorsqu'on utilise des pièces non autorisées ou lorsqu'on ne respecte pas les consignes relatives à l'entretien.

Consignes de sécurité particulières

- Tenir l'outil par les surfaces isolées prévues à cette fin lorsqu’il risque d'entrer en contact avec des fils cachés ou son propre cordon,** car de tels contacts peuvent mettre les pièces métalliques de l’outil sous tension, engendrant des risques de choc électrique.
 - ⚠ AVERTISSEMENT : Certains outils électriques, tels que les sableuses, les scies, les meules, les perceuses ou certains autres outils de construction, peuvent produire de la poussière contenant des produits chimiques susceptibles d’entraîner le cancer, des malformations congénitales ou pouvant être nocifs pour le système reproductif. Parmi ces produits chimiques, on retrouve :**
 - le plomb dans les peintures à base de plomb,
 - la silice cristalline dans les briques et le ciment et autres produits de maçonnerie,
 - l’arsenic et le chrome dans le bois de sciage ayant subi un traitement chimique (comme l’arséniate de cuivre et de chrome).

Le risque associé à de telles expositions varie selon la fréquence avec laquelle on effectue ces travaux. Pour réduire l'exposition à de tels produits, il faut travailler dans un endroit bien aéré et utiliser le matériel de sécurité approprié, tel un masque anti-poussières spécialement conçu pour filtrer les particules microscopiques.

- Éviter tout contact prolongé avec la poussière soulevée par cet outil ou autres outils électriques. Porter des vêtements de protection et nettoyer les parties exposées du corps avec de l’eau savonneuse.** S'assurer de bien se protéger afin d’éviter d’absorber par la bouche, les yeux ou la peau des produits chimiques nocifs.

⚠ **AVERTISSEMENT : Cet outil peut produire et répandre de la poussière susceptible de causer des dommages sérieux et permanents au système respiratoire.** Toujours utiliser un appareil respiratoire anti-poussières approuvé par le NIOSH ou l’OSHA. Diriger les particules dans le sens opposé du visage et du corps.

⚠ **AVERTISSEMENT : Porter un dispositif de protection personnel anti-bruit approprié durant l’utilisation.** Sous certaines conditions et pendant toute la durée de l’utilisation, le bruit émanant de ce produit pourrait contribuer à la perte d’audition.

Premiers soins relatifs à la composition du gel

Si le gel à l’intérieur de la poignée ergonomique venait à se répandre et entrer en contact avec la peau, laver cette dernière à l’eau savonneuse. En cas de contact avec les yeux, rincer abondamment à l’eau claire. En cas d’ingestion, voir un médecin. Pour obtenir la fiche toxicologique de ce produit (MSDS), téléphoner au **1-800-544-6986**.

L’étiquette de l’outil peut comporter les symboles suivants.

| | |
|----------------------|-------------------------|
| <i>V</i> | <i>A</i> |
| <i>Hz</i> | <i>W</i> |
| <i>min</i> | <i>~</i> |
| <i>====</i> | <i>n</i> <i>o</i> |
| ☐ | ⊕ |
| ⚠ | <i>.../min</i> |
| | <i>à la minute</i> |

⚠ Mesures de sécurité : Ponceuses

- TOUJOURS PORTER DES LUNETTES DE SÉCURITÉ.**

- Nettoyer l’outil régulièrement.

⚠ Autres mesures de sécurité importantes

Cordons de rallonge

Lorsqu'on se sert d'un cordon de rallonge, s'assurer qu'il est de calibre approprié pour la tension nécessaire au fonctionnement de l'outil. L'utilisation d'un cordon de calibre inférieur occasionne une baisse de tension entraînant une perte de puissance et la surchauffe. Le tableau suivant indique le calibre approprié selon la longueur du cordon et les mentions de la plaque signalétique de l'outil. En cas de doute, utiliser un cordon de calibre supérieur. Le chiffre indiquant le calibre est inversement proportionnel au calibre du cordon.

| Calibre minimal des cordons de rallonge | | | | | |
|---|------------------------------------|----------------------------|--------------|----------------|----|
| Tension | Longueur totale du cordon en pieds | | | | |
| 120 V | De 0 à25 | De 26à50 | De 51 à 100 | De 101 à 150 | |
| 240 V | De 0 à 50 | De 51à 100 | De 101 à 200 | De 201 à 300 | |
| Intensité (A) | | | | | |
| Au moins | Au plus | Calibre moyen de fil (AWG) | | | |
| 0 | - 6 | 18 | 16 | 16 | 14 |
| 6 | - 10 | 18 | 16 | 14 | 12 |
| 10 | - 12 | 16 | 16 | 14 | 12 |
| 12 | - 16 | 14 | 12 | Non recommandé | |

Ponçage de peinture à base de plomb

IL N'EST PAS RECOMMANDÉ de poncer de la peinture à base de plomb puisqu'il est difficile d'en maîtriser la poussière contaminée. Ce genre de ponçage présente de sérieux risques d'empoisonnement au plomb pour les femmes enceintes et les enfants.

Puisqu'il est difficile de déterminer si la peinture renferme du plomb sans en faire une analyse chimique, il est conseillé de se conformer aux mesures suivantes lors du ponçage de tout type de peinture.

Sécurité personnelle

- Ne laisser aucun enfant ni aucune femme enceinte entrer dans la pièce où il y a ponçage de peinture jusqu’à ce que la pièce soit nettoyée.
- Toute personne qui entre dans l'aire de travail doit porter un masque anti-poussière ou un appareil respiratoire; le filtre doit être remplacé chaque jour ou lorsque la respiration devient difficile. **REMARQUE** : seuls les masques qui protègent contre les poussières et les émanations de plomb doivent être utilisés, car les masques ordinaires n’offrent pas la protection voulue. Consulter le quincaillier local pour obtenir un masque approuvé par le NIOSH (National Institute of Occupational Health and Safety).
- IL EST DÉCONSEILLÉ DE MANGER, DE BOIRE ET DE FUMER dans la pièce de travail afin de ne pas ingérer de particules contaminées. L'utilisateur doit se laver et se nettoyer AVANT de manger, de boire ou de fumer. Il ne faut pas laisser dans la pièce de travail de la nourriture, des boissons ou des cigarettes car de la poussière pourrait se déposer sur ces articles.

Protection de l’environnement

- Il faut enlever la peinture de manière à produire un minimum de poussière.
- Il faut sceller la zone de travail à l'aide de feuilles de plastique d'une épaisseur minimale de 4 mils.
- Il faut poncer de façon à réduire la propagation de la poussière hors de la pièce de travail.

Nettoyage et déchets

- Il faut bien aspirer toutes les surfaces de la pièce de travail et les nettoyer à fond chaque jour pendant la durée des travaux. Il faut remplacer fréquemment le filtre de l'aspirateur.
- Ramasser les feuilles de plastique et les jeter avec la poussière et les autres débris dans des contenants étanches à placer avec les ordures ménagères pour l'enlèvement. Tenir les enfants et les femmes enceintes à l'écart de la zone de travail pendant les travaux de nettoyage.
- Il faut nettoyer à fond les jouets, les meubles et les ustensiles des enfants avant de les utiliser de nouveau.

Moteur

Veiller à ce que la tension d'alimentation soit conforme aux exigences de la plaque signalétique de l'outil. La mention “120 volts c.a. seulement” signifie que l'outil fonctionne seulement sur une alimentation domestique standard de 60 Hz. Ne pas alimenter des outils à alimentation en courant alternatif sur du courant continu ou alternatif. La mention “120 volts c.a./c.c.” signifie que l'outil fonctionne seulement sur une alimentation domestique standard de 60 Hz c.a. ou c.c.. Ces renseignements se trouvent sur la plaque signalétique de l'outil. Une baisse de tension entraîne une perte de puissance et la surchauffe. Tous les outils sont essayés avant de quitter l'usine. Lorsque celui-ci refuse de fonctionner, vérifier la source de courant électrique.

Fonctionnement

⚠ **AVERTISSEMENT :** Afin de minimiser les risques de blessures graves, lire, comprendre et respecter toutes les mesures de sécurité et toutes les directives avant d’utiliser l’outil.

Interrupteur

Pour mettre l'outil en marche, le saisir de la façon illustrée à la figure 1 et enfoncer la partie de l'interrupteur portant la mention "I". Pour l'arrêter, enfoncer la partie de l'interrupteur portant la mention "O".

Fonctionnement

Saisir l'outil de la façon illustrée à la figure 1 et le mettre en marche. Le déplacer en longs mouvements de va-et-vient le long de la surface en le laissant faire le travail. Il suffit d'exercer une légère pression pour poncer, polir et frotter. Un excès de pression ralentit l'outil et donne des résultats inférieurs. Surveiller souvent le travail; l’outil peut enlever rapidement le matériau.

⚠ **MISE EN GARDE :** L'outil ne doit être utilisé près de l’eau en aucun temps.

⚠ **AVERTISSEMENT :** Toujours débrancher l'outil avant de procéder aux étapes suivantes.

Ponçage de précision

L’outil est doté d’une base en forme de goutte qui permet de l’utiliser autant sur de larges surfaces plates que dans des recoins ou endroits difficiles d’accès.

Les pointes des bandes peuvent s’user inégalement, selon l’usage qu’on en fait. Les bandes sont conçues de manière à ce qu’on puisse substituer ou faire pivoter la pointe en forme de losange.

Fixation du papier abrasif (Fig. 2)

- Retirer les deux pointes en forme de losanges du papier abrasif.
- Tenir l’outil de manière à orienter la base abrasive vers le haut.
- Mettre le papier abrasif sur la base. Les pointes usées peuvent être inversées ou remplacées.
- Lorsque seule la partie avant de la pointe est usée, la retirer, l’inverser et la remettre sur la base abrasive.
- Lorsque la pointe au complet est usée, la retirer et la remplacer.

Pointe de la base abrasive (Fig. 3)

Il est possible de changer ou inverser la pointe de la base abrasive lorsqu’elle est usée.

- retirer la vis;
- inverser ou remplacer la partie usée;
- replacer et serrer la vis.

Bande étroite (Fig. 4)

La bande étroite est utilisée pour effectuer des travaux de finition minutieux.

- retirer la vis;
- enlever le support de la pointe en forme de losange de la base abrasive;
- fixer la bande étroite sur la base abrasive;
- replacer et serrer la vis.

Support accessoire pour ponçage de contour (fig. 5)

- Les pièces de ponçage de contour servent à poncer les surfaces courbées et les rainures.
- Enlever la vis.
- Enlever le support à bout en biseau de la base de ponçage.
- Poser le support à contour sur la base de ponçage.
- L’ajuster et serrer la vis.

Ajustement et dépose d'une pièce à contour (fig. 6 et 7)

- Choisir le calibre de la pièce de ponçage de contour qui convient le mieux à votre application.
- Placer une extrémité de la pièce dans la partie enfoncée située à l'extrémité avant du support du calibre.
- Enfoncer l'autre extrémité de la pièce de ponçage de contour de manière à entendre un déclic.
- **Pour enlever la pièce de ponçage de contour, la pousser vers l'avant, puis tirer sur l'extrémité arrière du support du calibre (fig. 7).**

Ajustement d'un papier abrasif sur une pièce de ponçage de contour (fig. 8)

- Aligner le papier abrasif avec la pièce de ponçage de contour.
- Presser le papier abrasif sur la pièce de ponçage de contour et s'assurer que le papier abrasif suive bien la forme du calibre.

Entretien

Utiliser seulement du savon doux et un chiffon humide pour nettoyer l'outil. Ne laisser aucun liquide s'infiltrer dans l'outil et ne jamais immerger tout composant de l'outil. **IMPORTANT** : Pour assurer la SÉCURITÉ D'EMPLOI et la FIABILITÉ de l'outil, en confier les réparations, l'entretien et les réglages au personnel d'un centre de service ou d'un atelier d'entretien autorisé n'utilisant que des pièces de rechange identiques.

Accessoires

Rechercher les accessoires Mouse^{mc} suivants chez les détaillants de la région.

| Modèle n° | Description | Contenu |
|-----------|---|---|
| 74-583 | Papier abrasif moyen 120 | 5 feuilles |
| 74-584 | Papier abrasif fin 180 | 5 feuilles |
| 74-585 | Papier abrasif extrafin 240 | 5 feuilles |
| 74-586 | Papier abrasif assorti | 1 feuille de papier de granulométrie 120, 2 feuilles de papier de chacune des granulométries suivantes 180 et 220 |
| 74-587 | Un accessoire en forme de doigt | 5 doigts de chacune des granulométries suivantes 120, 180 et 220 |
| 74-588 | 1 laine OT Power Wool | 3 feuilles |
| 74-589 | 4 laines OT Power Wool | 3 feuilles |
| 74-581 | Ensemble de polissage | 2 feuilles de laine 1 OT power wool, 2 feuilles de laine 4 OT power wool, 2 tampons en caoutchouc mousse |
| 74-582 | Ensemble à récurer | 2 tampons abrasifs grossiers, 2 tampons abrasifs fins, 2 tampons en caoutchouc mousse |
| 74-580 | Ensemble de ponçage ou de polissage | 2 feuilles de laine 1 OT power wool, 2 feuilles de papier de granulométrie 180, 2 feuilles de papier de granulométrie 220, 2 tampons en caoutchouc mousse, 5 papiers pour accessoires en forme de doigt |
| 74-671 | Papier abrasif universel / à gros grain | 5 feuilles de granulométrie 80 |
| 74-672 | Papier abrasif universel / moyen | 5 feuilles de granulométrie 120 |
| 74-673 | Papier abrasif universel / fin | 5 feuilles de granulométrie 220 |
| 74-654 | Papier abrasif universel | Assortiment |

Les accessoires recommandés pour l'outil sont vendus séparément. Chaque détaillant peut avoir des accessoires différents. Le tampon en Velcro^{mc} et les socles individuels sont des pièces remplaçables. Communiquer avec le centre de service de la région lorsque ces pièces sont usées. Pour obtenir de plus amples renseignements, composer le numéro suivant : **1 (800) 544-6986**.

⚠ AVERTISSEMENT : L'utilisation de tout accessoire non recommandé pour l'outil peut être dangereuse.

Matrice utilisation - accessoire

| ACCESSOIRE | UTILISATIONS RECOMMANDÉES |
|---|---|
| PAPIER ABRASIF DE GRANULOSITÉ MOYENNE | ENLÈVEMENT DE PEINTURE, VERNIS ET ROUILLE |
| PAPIER ABRASIF DE GRANULOSITÉ FINE | FINITION DES SURFACES |
| PAPIER ABRASIF DE GRANULOSITÉ EXTRAFINE | PONÇAGE ENTRE LES COUCHES DE PEINTURE OU DE VERNIS |
| POINTES ABRASIVES DE DÉTAIL | COINS ET ENDROITS D'ACCÈS DIFFICILE |
| LAINE À POLIR OU À DÉCAPER 1OT | POLISSAGE DES MÉTAUX / DÉCAPAGE DE VERNIS OU D'URÉTHANE |
| LAINE À POLIR OU À DÉCAPER 4 OT | POLISSAGE DE FINITION SUR PEINTURE, VERNIS OU URÉTHANE |
| TAMPON EN CAOUTCHOUC MOUSSE GRIS | ENDUIT OU ENLÈVEMENT DE POLI |
| TAMPON NON TISSÉ BLANC | RÉCURAGE LÉGER |
| TAMPON NON TISSÉ ROUGE | RÉCURAGE RIGOUREUX / ENLÈVEMENT DE LA ROUILLE |

Les tampons décrits plus haut sont vendus en ensemble partout où on retrouve les produits Mouse. Le tampon en Velcro^{mc} et les socles individuels sont des pièces remplaçables. Communiquer avec le centre de service de la région lorsque ces pièces sont usées. Pour obtenir de plus amples renseignements, composer le numéro suivant : **1 (800) 544-6986**.

Renseignements relatifs au service

Black & Decker exploite un réseau complet de centres de service et d'ateliers d'entretien autorisés par toute l'Amérique du Nord. Le personnel de tous les centres de service Black & Decker a reçu la formation voulue pour assurer l'entretien efficace et fiable des outils électriques.

Pour obtenir des renseignements d'ordre technique, des conseils relatifs aux réparations ou des pièces de rechange d'origine, communiquer avec le centre de service Black & Decker de la région.

On peut trouver l'adresse du centre de service de la région dans l'annuaire des Pages Jaunes à la rubrique "Outils électriques" ou en composant le numéro suivant : **1 (800) 544-6986**.

Garantie complète de deux ans pour utilisation domestique

Black & Decker garantit le produit pour une période de deux ans contre les vices de matière ou de fabrication. Le produit défectueux sera réparé ou remplacé sans frais conformément à l'une des conditions suivantes.

Pour échanger l'outil, il suffit de le retourner au détaillant (si le détaillant participe au programme d'échange rapide Black & Decker). Le retour doit être effectué dans les délais impartis par la politique de retour du détaillant (habituellement entre 30 et 90 jours suivant la date d'achat). Le détaillant peut exiger une preuve d'achat. Prière de vérifier la politique de retour du détaillant au-delà des délais impartis.

On peut également retourner l'outil (port payé) à un centre de service Black & Decker ou à tout autre atelier d'entretien accrédité pour y être remplacé ou réparé, à notre gré. On peut exiger une preuve d'achat. Les adresses des centres de service Black & Decker se trouvent à la rubrique "Outils électriques" des Pages Jaunes.

La présente garantie ne vaut pas pour les accessoires. Les modalités de la présente garantie donnent des droits légaux spécifiques. L'utilisateur peut également se prévaloir d'autres droits selon l'état ou la province qu'il habite. Pour obtenir de plus amples renseignements, communiquer avec le directeur du centre de service Black & Decker de la région. Le produit n'est pas conçu pour une utilisation commerciale.

REMPLACEMENT GRATUIT DE L'ÉTIQUETTE D'AVERTISSEMENT : En cas de perte ou d'endommagement des étiquettes d'avertissement, composer le

1 800 544-6986 afin d'en obtenir de nouvelles sans frais.

ANTES DE DEVOLVER ESTE PRODUCTO POR CUALQUIER RAZÓN, POR FAVOR LLAME AL (55)5326-7100

INFORMACION CLAVE QUE DEBE SABER

- Nunca opere la lijadora sin la lija recomendada debidamente instalada en la almohadilla.

- La almohadilla las almohadillas individuales son partes reemplazables. Si se desgastan, lleve la unidad al centro de servicio de su localidad para que la reparen.

- No presione la lijadora hacia abajo – deje que ella haga el trabajo.

- No se recomienda para este producto el lijado continuo en tablaroca.

CONSERVE ESTE MANUAL PARA REFERENCIAS FUTURAS

⚠ REGLAS GENERALES DE SEGURIDAD


- ⚠ **ADVERTENCIA**: Lea y comprenda todas las instrucciones. No seguir todas las instrucciones enlistadas a continuación puede resultar en choque eléctrico, incendio y/o lesiones personales de gravedad.

CONSERVE ESTAS INSTRUCCIONES

Area de trabajo

- **Conserve su área de trabajo limpia y bien iluminada.** Las bancas amontonadas y las zonas oscuras propician los accidentes.
- **No opere herramientas eléctricas en atmósferas explosivas, como en presencia de líquidos, gases o polvos inflamables.** Las herramientas eléctricas producen chispas que pueden originar la ignición de los polvos o los vapores.
- **Conserve a observadores, niños y visitantes alejados mientras opera una herramienta eléctrica.** Las distracciones pueden ocasionar que pierda el control.

Seguridad eléctrica

- **Las herramientas con doble aislamiento están equipadas con una clavija polarizada (con una pata más ancha que la otra.) Esta clavija se acoplará únicamente en una toma de corriente polarizada de una manera. Si la clavija no se acopla al contacto, invírtala. Si aún así no se ajusta, comuníquese con un electricista calificado para que le instalen una toma de corriente polarizada apropiada.** El doble  aislamiento elimina la necesidad de cables con tres hilos y sistemas de alimentación con conexión a tierra.
- **Evite el contacto corporal con superficies aterrizadas tales como tuberías, radiadores, hornos y refrigeradores.** Hay un gran riesgo de choque eléctrico si su cuerpo hace tierra.
- **No exponga las herramientas eléctricas a la lluvia o a condiciones de mucha humedad.** El agua que se introduce en las herramientas aumenta el riesgo de descargas eléctricas.
- **No maltrate el cable. Nunca tome el cable para transportar una herramienta ni para desconectarla de la toma de corriente. Consérvelo alejado de calor, aceite, bordes afilados o piezas móviles. Cambie inmediatamente los cables dañados.** Los cables dañados aumentan el riesgo de choque eléctrico.
- **Cuando opere una herramienta eléctrica a la intemperie, utilice una extensión marcada "W-A" o "W".** Estas extensiones están clasificadas para uso a la intemperie y para reducir el riesgo de choques eléctricos.

Seguridad personal

- **Esté alerta, concéntrese en lo que está haciendo. Recorra al sentido común cuando opere una herramienta eléctrica. No opere ninguna herramienta si se encuentra fatigado o bajo la influencia de drogas, alcohol o medicamentos.** Un momento de desatención mientras se operan herramientas eléctricas puede ocasionar lesiones graves.
- **Vístase de manera adecuada. No tenga puestas ropas o artículos de joyería flojos. Cubra su cabello si lo tiene largo. Conserve su cabello, sus ropas y guantes alejados de las piezas móviles.** Las piezas de vestir flojas, las joyas y el cabello largo pueden resultar atrapados por las piezas móviles.
- **Evite el encendido accidental. Asegúrese que el interruptor esté en posición de apagado antes de conectar.** Sostener una herramienta con el dedo en el interruptor o conectarla sin fijarse si el interruptor está en posición de encendido propicia los accidentes.
- **Retire las llaves de ajuste antes de encender la herramienta.** Una llave que se deja en una pieza giratoria puede ocasionar lesiones personales.
- **No se sobreextienda. Conserve siempre los pies bien apoyados, al igual que el equilibrio.** La posición correcta de los pies y el equilibrio permiten controlar mejor la herramienta en situaciones inesperadas.
- **Utilice equipo de seguridad. Siempre utilice protección en los ojos.** Se deben utilizar mascarillas contra polvo, zapatos antiderrapantes, casco o protectores para los oídos para tener las condiciones apropiadas.

Uso y cuidados de la herramienta

- **Utilice prensas u otros medios prácticos para asegurar y apoyar la pieza de trabajo en una plataforma estable.** Sujetar las piezas con la mano o contra su cuerpo es inestable y puede originar la pérdida de control.
- **No fuerce la herramienta. utilice la herramienta apropiada para su aplicación.** La herramienta apropiada hará el trabajo mejor y de manera más segura bajo las especificaciones para las que se diseñó.
- **No utilice la herramienta si el interruptor no enciende y apaga.** Cualquier herramienta que no pueda controlarse por medio del interruptores peligrosa y debe reemplazarse.
- **Desconecte la clavija de la toma de corriente antes de hacer cualquier ajuste, cambio de accesorios o de guardar la herramienta.** Tales medidas de seguridad preventivas reducirán el riesgo de que la herramienta se encienda accidentalmente.
- **Guarde las herramientas fuera del alcance de los niños y de otras personas no capacitadas.** Las herramientas son peligrosas en manos de personas no capacitadas.
- **Cuide sus herramientas. Conserve las herramientas de corte afiladas y limpias.** Las herramientas que reciben un mantenimiento adecuado, con piezas de corte afiladas, difícilmente se atascan y son más fáciles de controlar.
- **Verifique la alineación de las piezas móviles, busque fracturas en las piezas y cualesquiera otras condiciones que puedan afectar la operación de las herramientas. Si está dañada, lleve su herramienta a servicio antes de usarla de nuevo.** Muchos accidentes se deben a herramientas con mantenimiento pobre.
- **Solamente use accesorios que el fabricante recomiende para su modelo de herramienta.** Los accesorios que estén diseñados para una herramienta, pueden volverse peligrosos cuando se emplean con otra.

Servicio

- **El servicio a las herramientas lo debe efectuar únicamente personal calificado.** El servicio o mantenimiento realizado por personal no calificado puede originar riesgos de lesiones.
- **Cuando efectúe servicio a una herramienta, utilice únicamente refacciones idénticas. Siga las instrucciones de la sección de Mantenimiento de este manual.** El empleo de piezas no autorizadas o no seguir las instrucciones de mantenimiento puede originar riesgos de choque eléctrico o lesiones.

Normas específicas de seguridad

- **Sujete la herramienta por las superficies aislantes si lleva a cabo una operación en que la herramienta pueda tocar un conductor oculto o su propio cable.** El contacto con un conductor activo provocará que las piezas metálicas de la herramienta conduzcan electricidad y que el operador reciba una descarga eléctrica.

⚠ AVERTISSEMENT : El polvo creado al lijar, aserrar, pulir, taladrar o realizar otras actividades de la construcción, contiene sustancias químicas que se sabe producen cáncer, defectos de nacimiento u otros defectos del sistema reproductor. Algunos ejemplos de esos productos químicos son:

- El plomo de las pinturas a base de plomo,
- La sílice cristalina de los ladrillos, del cemento y de otros productos de albañilería, y
- El arsénico y el cromo de la madera tratada químicamente (CCA).

El riesgo que se corre a causa del contacto con esos productos varía según la frecuencia con que usted realice este tipo de trabajos. Con el fin de reducir su exposición a esas sustancias químicas, trabaje en un área bien ventilada y utilice un equipo de seguridad reglamentario, tal como una máscara contra el polvo especialmente diseñada para filtrar partículas microscópicas.

- **Evite el contacto prolongado con el polvo proveniente del lijado, aserrado, amolado y taladrado eléctrico y otras actividades de construcción. Use vestimenta protectora y lave todas las áreas expuestas con agua y jabón.** De entrar polvo en sus ojos, boca, o que este permanezca sobre su piel puede promover la absorción de químicos dañinos.



⚠ AVERTISSEMENT : El uso de esta herramienta puede generar y/o dispersar el polvo, el cual puede ocasionar lesión respiratoria u otro tipo de lesión grave y permanente. Utilice siempre protección respiratoria NIOSH/OSHA apropiada para la exposición al polvo. Dirija las partículas lejos de su cara o su cuerpo.

⚠ ATENCIÓN: Use protección auditiva apropiada cuando usa la herramienta. Bajo ciertas condiciones y el tiempo que se usa la herramienta, el ruido proveniente de este producto podría contribuir a pérdida auditiva.

Medidas de primeros auxilios para exposición a los componentes de gel

Si el gel que se encuentra dentro de la empuñadura queda expuesta y entra en contacto con su piel, lávese con agua y jabón. Si entra en contacto con sus ojos, enjuáguelos con agua fresca. Si ingiere el gel, busque atención médica. Si llama al **(55)5326-7100**, podrá obtener una copia de la Ficha de Datos de Seguridad (MSDS) para este material.

La etiqueta de su herramienta puede incluir los siguientes símbolos.

| | |
|---|---|
| <i>V</i> | <i>A</i> |
| <i>Hz</i> | <i>W</i> |
| <i>min</i> | <i>~</i> |
| <i>====</i> | <i>n</i> o..... |
| ☐ | ⊕ |
| ⚠ | |
| <i>.....volts</i> | <i>.....amperes</i> |
| <i>.....hertz</i> | <i>.....watts</i> |
| <i>.....minutos</i> | <i>.....corriente alterna</i> |
| <i>.....corriente directa</i> | <i>.....velocidad sin carga</i> |
| <i>.....construcción clase II</i> | <i>.....terminal con conexión a tierra</i> |
| <i>.....símbolo de alerta seguridad</i> | <i>...../minrevoluciones o reciprocaciones por minuto</i> |

⚠ Advertencias e instrucciones de seguridad: Lijadoras

• **UTILICE SIEMPRE PROTECCION PARA LOS OJOS.**

• Limpie su herramienta periódicamente

⚠ Otras advertencias e instrucciones de seguridad importantes

Alargadores

Cuando use un alargador, asegúrese de usar uno de un calibre suficiente como para cargar con la corriente que requerirá su producto. Un cable de menor calibre causará una caída en el voltaje de la línea lo que resultará en pérdida de potencia y sobrecalentamiento. El siguiente cuadro muestra el tamaño correcto a utilizar, dependiendo del largo del cable y el amperaje nominal. Si tiene dudas sobre cuál calibre usar, use un calibre mayor. Mientras menor el número del calibre, mayor la capacidad del cable.

| Calibre mínimo para cordones de extensión | | | | | |
|---|-------------------------------------|-------------------|---------------|----------------|----|
| Volts | Longitud total del cordón en metros | | | | |
| 120V | 0 -7.62 | 7.63 - 15.24 | 15.25 - 30.48 | 30.49 - 45.72 | |
| 240V | 0 - 15.24 | 15.25 - 30.48 | 30.49 - 60.96 | 60.97 - 91.44 | |
| AMPERAJE | | | | | |
| Más de | No más de | Calbre del cordón | | | |
| 0 | - 6 | 18 | 16 | 16 | 14 |
| 6 | - 10 | 18 | 16 | 14 | 12 |
| 10 | - 12 | 16 | 16 | 14 | 12 |
| 12 | - 16 | 14 | 12 | No Recomendado | |

Lijado de pinturas con base de plomo

NO SE RECOMIENDA el lijado de pinturas con base de plomo debido a la dificultad para controlar el polvo contaminado. El mayor peligro de envenenamiento por plomo es para niños y mujeres embarazadas.

Ya que es difícil identificar si una pintura contiene plomo o no sin efectuar un análisis químico, recomendamos que tenga en cuenta las siguientes precauciones cuando lije cualquier tipo de pintura:

Seguridad personal

- No permita que entren al área de trabajo niños ni mujeres embarazadas cuando lije pintura hasta que haya terminado de asear el lugar.
- Se recomienda el uso de máscaras o respiradores para todas las personas que entren al área de trabajo. El filtro se debe reemplazar diariamente o cuando el usuario tenga dificultad para respirar.
- NOTA:** Sólo deben utilizarse mascaras adecuadas para trabajo con polvo y vapores de pintura. Las mascaras ordinarias para pintura no ofrecen esta protección. Vea a su distribuidor de herramienta local para conseguir la máscara adecuada.
- NO COMA, BEBA O FUME en la zona de trabajo para evitar ingerir partículas de pintura contaminadas. Los usuarios deberán lavarse y limpiarse ANTES de comer, beber o fumar. No deben dejarse artículos para comer beber o fumar en el área de trabajo donde el polvo se asentaría en ellos.

Seguridad ambiental

- La pintura debe removerse de tal manera que se minimice la cantidad generada de polvo.
- Se deben sellar las áreas en que se remueve pintura con láminas de plástico de 4 mils. de espesor.
- El lijado debe hacerse en tal forma que se reduzca el desalojo de pintura fuera de la zona de trabajo.

Limpieza y desecho

- Todas las superficies en el área de trabajo deben ser aspiradas y limpiadas a conciencia diariamente el tiempo que dure el proyecto de lijado. Las bolsas filtro de las aspiradoras deben cambiarse frecuentemente.
- Las láminas de plástico deben recogerse y desecharse con cualquier resto de pintura. Deben depositarse en receptáculos sellados y deben desecharse a través de los procedimientos de recolección de basura normales. Durante la limpieza, niños y mujeres embarazadas deben permanecer alejados de la zona de trabajo inmediata.
- Todo tipo de juguetes, mobiliario lavable y utensilios usados por niños deben lavarse a conciencia antes de volver a utilizarse.

Motor

Asegúrese que su alimentación de corriente concuerde con la señalada en la placa de identificación. 120 V~ significa que su sierra funciona con corriente doméstica estándar a 60 Hz. No utilice herramientas para corriente alterna con corriente continua. Una especificación de 120 V AC/DC significa que su herramienta funcionará con corriente alterna estándar a 60 Hz o con corriente continua. esta información está impresa en la placa de identificación. Voltajes menores causarán pérdida de potencia y pueden producir sobrecalentamiento. todas las herramientas Black & Decker se prueban en la fábrica; si esta herramienta no funciona, revise la alimentación de corriente.

Instrucciones de operación

⚠**ADVERTENCIA:** Para evitar el riesgo de lesiones personales graves, lea, comprenda y siga todas las advertencias e instrucciones importantes de seguridad antes de emplear esta herramienta.

Interruptor

Para ENCENDER la herramienta, sujétela como se observa en la Figura 1 y oprima la parte del interruptor marcada “I”. Para APAGAR la herramienta, oprima la parte del interruptor marcada “O”.

Operacion

Sujete el producto como se observa en la Figura 1 y enciéndalo. Haga movimientos grandes, barriendo la superficie, dejando que la lijadora haga el trabajo. Una presión ligera es todo lo que se requiere para lijar, pulir o tallar. La presión excesiva hará más lento el trabajo y producirá resultados con calidad inferior. Revise su trabajo con frecuencia. El producto es capaz de remover material rápidamente.

⚠**PRECAUCION:** Bajo ninguna circunstancia utilice este producto cerca de agua.

⚠**ADVERTENCIA:** Desconecte siempre el producto de la toma de corriente antes de cualquiera de las siguientes operaciones.

Lijado de detalle

Su herramienta viene equipada con una base en forma de lágrima para usar en superficies planas de gran tamaño y en sitios de difícil acceso o esquinas.

Las puntas de almohadilla podrían desgastarse irregularmente, dependiendo del uso. Las almohadillas están diseñadas para poder intercambiar o girar la punta adiamantada.

Montaje del papel de lija (Fig. 2)

• Desprenda las dos puntas adiamantadas del papel de lija.

• Sujete la herramienta con la base para lijar hacia arriba.

• Coloque el papel de lija sobre la base.

La punta adiamantada se puede poner al revés y reemplazarse si está desgastada.

• Cuando la parte frontal de la punta está desgastada, despréndala de la hoja, inviértala y colóquela otra vez sobre la base para lijar aplicando presión.

• Cuando toda la punta se haya desgastado, quítela de la base y monte una punta nueva.

Punta de la base para lijar (Fig. 3)

Cuando la base para lijar está desgastada se puede poner al revés o reemplazar.

• Quite el tornillo.

• Invierta o reemplace la parte desgastada.

• Monte y apriete el tornillo.

Accesorio tipo dedo (Fig. 4)

El accesorio tipo dedo se utiliza para un lijado fino de mucho detalle.

• Quite el tornillo.

• Quite el sujetador de punta adiamantada de la base para lijar.

• Monte el accesorio tipo dedo a la base.

• Encaje bien y apriete el tornillo.

Dispositivo sujetador para contornos (Figura 5)

• Las piezas para lijadoras de contornos son para lijar superficies curvas y estrías.

• Retire el tornillo.

• Retire el soporte romboidal de la punta de la base lijadora.

• Coloque el sujetador para contornos en la base lijadora.

• Coloque y ajuste el tornillo.

Cómo colocar y retirar una pieza para contornos (Figura 6 y 7)

• Elija el perfil de piezas para lijadoras de contornos más adecuado para su aplicación.

• Coloque un extremo de la pieza para lijadoras de contornos en la cavidad en el extremo frontal del sujetador de perfiles.

• Empuje el otro extremo de la pieza para lijadoras de contornos hasta que haga un sonido seco en el lugar.

• ***Para retirar la pieza para lijadoras de contornos, empújela hacia adelante y luego empuje el extremo trasero hacia afuera del sujetador de perfiles (figura 7).***

Cómo colocar una hoja de lija en una pieza para lijadoras de contornos (Figura 8)

• Alinee la hoja de lija a la pieza para lijadora de contornos.

• Presione la hoja de lija en la pieza para lijadora de contornos, asegurándose de que la hoja de lija se adapte a la forma del perfil.

Mantenimiento

Utilice únicamente jabón suave y un trapo para limpiar la herramienta. Nunca permita que se introduzcan líquidos en la herramienta; nunca sumerja ninguna parte de la herramienta en ningún líquido.

IMPORTANTE: Para garantizar la SEGURIDAD y la CONFIABILIDAD del producto, las reparaciones, el mantenimiento y los ajustes deben ser realizados por centros de servicio autorizados u otras organizaciones de servicio calificadas, que siempre utilicen partes de repuesto idénticas.

Accesorios

Busque los siguientes accesorios para su Mouse™ con el distribuidor de su localidad.

| Catálogo # | Descripción | Contenido |
|------------|-------------------------------|---|
| 74-583 | Lija mediana 120 | 5 hojas |
| 74-584 | Lija fina 180 | 5 hojas |
| 74-585 | Lija extra fina 240 | 5 hojas |
| 74-586 | Surtido de lija | 1 hoja de lija 120 <p>2 hojas de lija c/u 180 y 220</p> |
| 74-587 | Lija para dispositivo dedo | 5 hojas c/u 120, 180, 220 |
| 74-588 | Fibra OT 1 | 3 hojas |
| 74-589 | Fibra OT 4 | 3 hojas |
| 74-581 | Equipo para pulir | 2 hojas de fibra OT 1 <p>2 hojas de fibra OT 4</p> 2 almohadillas de esponja |
| 74-582 | Equipo para tallar | 2 almohadillas abrasivas burdas <p>2 almohadillas abrasivas finas</p> 2 almohadillas de esponja |
| 74-580 | Equipo para lijar/pulir | 2 hojas de fibra OT 1 <p>2 hojas de lija grado 180</p> 2 hojas de lija grado 240 <p>2 almohadillas de esponja</p> 5 lijas para el dispositivo de dedo |
| 74-671 | Papel de lija universal/Basto | 5 hojas grado 80 |
| 74-672 | Papel de lija universal/Medio | 5 hojas grado 120 |
| 74-673 | Papel de lija universal/Fino | 5 hojas grado 220 |
| 74-654 | Papel de lija universal | Surtido |

Los accesorios recomendados para emplearse con su herramienta están a su disposición con costo adicional. Los listados por distribuidor pueden diferir. La base de Velcro® y las bases individuales son partes reemplazables. Si se desgastan, contacte con el centro de servicio de su localidad. Para mayor información llame al: **1-800-544-6986**.

⚠**ADVERTENCIA:** El uso de cualquier accesorio no recomendado para emplearse con esta herramienta puede ser peligroso.

Aplicación / Matriz de accesorios

| ACCESORIO | APLICACIONES RECOMENDADAS / USOS |
|---|---|
| LIJA MEDIANA | PINTURA / BARNIZ / REMOCIÓN DE ÓXIDO |
| LIJA FINA | ACABADO DE SUPERFICIES |
| LIJA EXTRA FINA | LIJADO ENTRE CAPAS DE PINTURA O BARNIZ |
| PUNTAS PARA LIJADO DE DETALLE | ESQUINAS / SITIOS DE DIFÍCIL ACCESO |
| FIBRA PARA PULIR / DESPINTAR GRIS CLARO | PULIR METALES / REMOVER BARNIZ O URETANO |
| FIBRA PARA PULIR GRIS OSCURO | PULIDO FINO, ACABADO SATÍN O PINTURA / BARNIZ / URETANO |
| ALMOHADILLA DE ESPONJA GRIS | APLICAR Y REMOVER PULIMENTO |
| ALMOHADILLA BLANCA NO TEJIDA | TALLADO LIGERO |
| ALMOHADILLA ROJA NO TEJIDA | TALLADO PESADO / REMOCIÓN DE ÓXIDO |

Las almohadillas descritas arriba están a su disposición en juegos en los sitios en los que se venden productos Mouse®. La almohadilla de Velcro® y las bases individuales son partes reemplazables. Si se desgastan, contacte con el centro de servicio de su localidad. Para mayor información llame al: **1-800-544-6986**.

Información de servicio

Black & Decker ofrece una red completa de centros de servicio propiedad de la compañía y franquiciados a través de toda Norteamérica. Todos los centros de servicio Black & Decker cuentan con personal capacitado para proporcionar el servicio a herramientas más eficiente y confiable.

Siempre que necesite consejo técnico, reparaciones o partes de repuesto genuinas, comuníquese con el centro Black & Decker más cercano a usted.

Para encontrar su centro de servicio local, consulte la sección amarilla bajo "Herramientas eléctricas", o llame al: **(55)5326-7100**

Garantía para uso doméstico por dos años completos

Black & Decker (U.S.) garantiza este producto por dos años completos contra cualquier falla originada por materiales o mano de obra defectuosos. El producto defectuoso será reemplazado o reparado sin cargo alguno en cualquiera de las siguientes dos maneras:

La primera, que resulta únicamente en cambios, es regresar el producto al vendedor al que se compró (en la suposición que es un distribuidor participante). Las devoluciones deberán hacerse dentro del tiempo estipulado por la política de cambios del distribuidor (usualmente de 30 a 90 días después de la venta). Se puede requerir prueba de compra. Por favor verifique con el vendedor las políticas específicas de devolución relacionadas a las devoluciones en tiempo posterior al estipulado para cambios.

La segunda opción es llevar o enviar el producto (con porte pagado) a los centros de servicio Black & Decker propios o autorizados, para que la reparemos o reemplacemos a nuestra opción. Se puede requerir prueba de compra. Los centros de servicio Black & Decker propios y autorizados están enlistados bajo "Herramientas eléctricas" en la sección amarilla del directorio telefónico.

Esta garantía no se aplica a los accesorios. Esta garantía le otorga derechos legales específicos, y usted puede tener otros que varíen de estado a estado. Si tiene usted cualquier pregunta, comuníquese con el gerente del centro de servicio Black & Decker más cercano.

Este producto no está destinado a uso comercial.

SUSTITUCIÓN GRATUITA DE LAS ETIQUETAS DE ADVERTENCIA: Si sus etiquetas de advertencia se vuelven ilegibles o se pierden, llame al **1-800-544-6986** para conseguir repuestos gratuitos.

ESPECIFICACIONES
120V~ 67W 60Hz .6A

Para servicio y ventas consulte
"HERRAMIENTAS ELECTRICAS"
en la sección amarilla.



IMPORTADOR: BLACK & DECKER S.A. DE C.V.
BOSQUES DE RADIATAS NO. 42
BOSQUES DE LAS LOMAS, 05120 MEXICO,
D.F.
TEL (55)5326-7100

Para reparación y servicio de sus herramientas eléctricas, favor de dirigirse al Centro de Servicio más cercano:

CULIACAN, SIN
Av. Nicolás Bravo #1063 Sur
(667) 7 12 42 11
Col. Industrial Bravo

GUADALAJARA, JAL
Av. La Paz #1779
(33) 3825 6978
Col. Americana Sector Juarez

MEXICO, D.F.
Eje Central Lázaro Cardenas No. 18
(55) 5588 9377
Local D, Col. Obrera

MERIDA, YUC
Calle 63 #459-A
(999) 928 5038
Col. Centro

MONTERREY, N.L.
Av. Francisco I. Madero No.831
(81) 8375 2313
Col. Centro

PUEBLA, PUE
17 Norte #205
(222) 246 3714
Col. Centro

QUERETARO, QRO
Av. Madero 139 Pte.
(442) 214 1660
Col. Centro

SAN LUIS POTOSI, SLP
Av. Universidad 1525
(444) 814 2383
Col. San Luis

TORREON, COAH
Blvd. Independencia, 96 Pte.
(871) 716 5265
Col. Centro

VERACRUZ, VER
Prolongación Díaz Mirón #4280
(229)921 7016
Col. Remes

VILLAHERMOSA, TAB
Constitución 516-A
(993) 312 5111
Col. Centro

PARA OTRAS LOCALIDADES LLAME AL: (55) 5326 7100