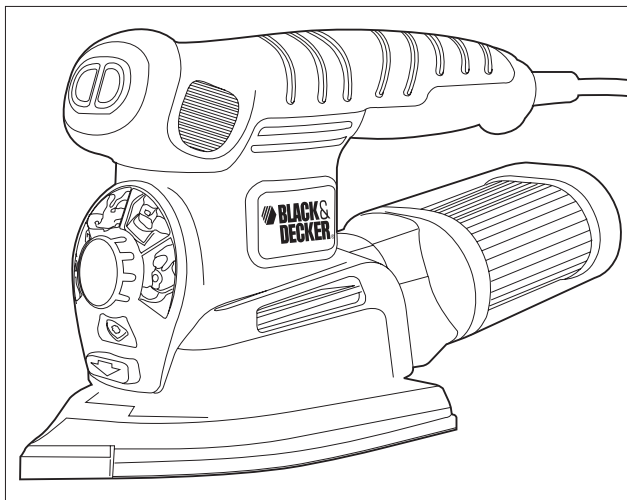




SMART SELECT MULTI- SANDER

INSTRUCTION MANUAL

**Catalog
Number
MS2000**



**Thank you for choosing Black & Decker!
Go to www.BlackandDecker.com/NewOwner
to register your new product.**

**PLEASE READ BEFORE RETURNING THIS
PRODUCT FOR ANY REASON:**

If you have a question or experience a problem with your Black & Decker purchase, go to
[HTTP://WWW.BLACKANDDECKER.COM/INSTANTANSWERS](http://WWW.BLACKANDDECKER.COM/INSTANTANSWERS)
for instant answers 24 hours a day.

If you can't find the answer or do not have access to the internet,
call 1-800-544-6986 from 8 a.m. to 5 p.m. EST Mon. -- Fri. to speak with an agent.
Please have the catalog number available when you call.

SAVE THIS INSTRUCTION MANUAL FOR FUTURE REFERENCE.

VEA EL ESPAÑOL EN LA CONTRAPORTADA.

**INSTRUCTIVO DE OPERACIÓN, CENTROS DE SERVICIO Y PÓLIZA DE GARANTÍA.
ADVERTENCIA: LÉASE ESTE INSTRUCTIVO ANTES DE USAR EL PRODUCTO.**

SAFETY GUIDELINES - DEFINITIONS

It is important for you to read and understand this manual. The information it contains relates to protecting YOUR SAFETY and PREVENTING PROBLEMS. The symbols below are used to help you recognize this information.

⚠ DANGER: Indicates an imminently hazardous situation which, if not avoided, will result in death or serious injury.

⚠ WARNING: Indicates a potentially hazardous situation which, if not avoided, could result in death or serious injury.

⚠ CAUTION: Indicates a potentially hazardous situation which, if not avoided, may result in minor or moderate injury.

NOTICE: Used without the safety alert symbol indicates potentially hazardous situation which, if not avoided, may result in property damage.

General Safety Rules

⚠ WARNING: Read all safety warnings and all instructions. Failure to follow the warnings and instructions may result in electric shock, fire and/or serious injury.

SAVE ALL WARNINGS AND INSTRUCTIONS FOR FUTURE REFERENCE

The term "power tool" in the warnings refers to your mains-operated (corded) power tool or battery-operated (cordless) power tool.

1) WORK AREA SAFETY

- a) **Keep work area clean and well lit.** Cluttered or dark areas invite accidents.
- b) **Do not operate power tools in explosive atmospheres, such as in the presence of flammable liquids, gases or dust.** Power tools create sparks which may ignite the dust or fumes.
- c) **Keep children and bystanders away while operating a power tool.** Distractions can cause you to lose control.

2) ELECTRICAL SAFETY

- a) **Power tool plugs must match the outlet. Never modify the plug in any way. Do not use any adapter plugs with earthed (grounded) power tools.** Unmodified plugs and matching outlets will reduce risk of electric shock.
- b) **Avoid body contact with earthed or grounded surfaces such as pipes, radiators, ranges and refrigerators.** There is an increased risk of electric shock if your body is earthed or grounded.
- c) **Do not expose power tools to rain or wet conditions.** Water entering a power tool will increase the risk of electric shock.
- d) **Do not abuse the cord. Never use the cord for carrying, pulling or unplugging the power tool. Keep cord away from heat, oil, sharp edges or moving parts.** Damaged or entangled cords increase the risk of electric shock.
- e) **When operating a power tool outdoors, use an extension cord suitable for outdoor use.** Use of a cord suitable for outdoor use reduces the risk of electric shock.
- f) **If operating a power tool in a damp location is unavoidable, use a ground fault circuit interrupter (GFCI) protected supply.** Use of a GFCI reduces the risk of electric shock.

3) PERSONAL SAFETY

- a) **Stay alert, watch what you are doing and use common sense when operating a power tool. Do not use a power tool while you are tired or under the influence of drugs, alcohol or medication.** A moment of inattention while operating power tools may result in serious personal injury.
- b) **Use personal protective equipment. Always wear eye protection.** Protective equipment such as dust mask, nonskid safety shoes, hard hat, or hearing protection used for appropriate conditions will reduce personal injuries.
- c) **Prevent unintentional starting. Ensure the switch is in the off position before connecting to power source and/ or battery pack, picking up or carrying the tool. Carrying power tools with your finger on the switch or energizing power tools that have the switch on invites accidents.**

- d) **Remove any adjusting key or wrench before turning the power tool on.** *A wrench or a key left attached to a rotating part of the power tool may result in personal injury.*
- e) **Do not overreach. Keep proper footing and balance at all times.** *This enables better control of the power tool in unexpected situations.*
- f) **Dress properly. Do not wear loose clothing or jewelry. Keep your hair, clothing and gloves away from moving parts.** *Loose clothes, jewelry or long hair can be caught in moving parts.*
- g) **If devices are provided for the connection of dust extraction and collection facilities, ensure these are connected and properly used.** *Use of dust collection can reduce dust-related hazards.*

4) POWER TOOL USE AND CARE

- a) **Do not force the power tool. Use the correct power tool for your application.** *The correct power tool will do the job better and safer at the rate for which it was designed.*
- b) **Do not use the power tool if the switch does not turn it on and off.** *Any power tool that cannot be controlled with the switch is dangerous and must be repaired.*
- c) **Disconnect the plug from the power source and/or the battery pack from the power tool before making any adjustments, changing accessories, or storing power tools.** *Such preventive safety measures reduce the risk of starting the power tool accidentally.*
- d) **Store idle power tools out of the reach of children and do not allow persons unfamiliar with the power tool or these instructions to operate the power tool.** *Power tools are dangerous in the hands of untrained users.*
- e) **Maintain power tools. Check for misalignment or binding of moving parts, breakage of parts and any other condition that may affect the power tool's operation. If damaged, have the power tool repaired before use.** *Many accidents are caused by poorly maintained power tools.*
- f) **Keep cutting tools sharp and clean.** *Properly maintained cutting tools with sharp cutting edges are less likely to bind and are easier to control.*
- g) **Use the power tool, accessories and tool bits, etc. in accordance with these instructions, taking into account the working conditions and the work to be performed.** *Use of the power tool for operations different from those intended could result in a hazardous situation.*

5) SERVICE

- a) **Have your power tool serviced by a qualified repair person using only identical replacement parts.** *This will ensure that the safety of the power tool is maintained.*

SPECIFIC SAFETY RULES

- **Hold power tools by insulated gripping surfaces when performing an operation where the cutting tool may contact hidden wiring or its own cord.** *Contact with a "live" wire will make exposed metal parts of the tool "live" and shock the operator.*
- **Always use proper eye protection and a respirator when sanding.**
- **Sanding of lead-based paint is not recommended.** *See Sanding Lead Based Paint for additional information before sanding paint.*
- **Clean your tool out periodically.**
- **Store sander with one of the platens in place.**
- **Keep hands away from spindle area on unit.**
- **Do not turn Smart Select knob when unit is running.**
- **Do not rest fingers on platen during use.**

⚠ WARNING: Some dust created by power sanding, sawing, grinding, drilling, and other construction activities contains chemicals known to the State of California to cause cancer, birth defects or other reproductive harm. Some examples of these chemicals are:

- lead from lead-based paints,
- crystalline silica from bricks and cement and other masonry products, and
- arsenic and chromium from chemically-treated lumber.

Your risk from these exposures varies, depending on how often you do this type of work. To reduce your exposure to these chemicals: work in a well ventilated area, and work with approved safety equipment, such as those dust masks that are specially designed to filter out microscopic particles.

- **Avoid prolonged contact with dust from power sanding, sawing, grinding, drilling, and other construction activities. Wear protective clothing and wash exposed areas with soap and water.** Allowing dust to get into your mouth, eyes, or lay on the skin may promote absorption of harmful chemicals.

⚠ WARNING: Use of this tool can generate and/or disperse dust, which may cause serious and permanent respiratory or other injury. Always use NIOSH/OSHA approved respiratory protection appropriate for the dust exposure. Direct particles away from face and body.

⚠ WARNING: ALWAYS use safety glasses. Everyday eye glasses are NOT safety glasses. Also use face or dust mask if cutting operation is dusty. ALWAYS WEAR CERTIFIED SAFETY EQUIPMENT:

- ANSI Z87.1 eye protection (CAN/CSA Z94.3)
- ANSI S12.6 (S3.19) hearing protection
- NIOSH/OSHA/MSHA respiratory protection

Symbols

The label on your tool may include the following symbols.

V	volts	A	amperes
Hz	hertz	W	watts
min.....	minutes	~	alternating current
— — —	direct current	n ₀	no load speed
☐	Class II Construction	⊕	earthing terminal
⚠	safety alert symbol	.../min	revolutions or reciprocations per minute

Extension Cords

When using an extension cord, be sure to use one heavy enough to carry the current your product will draw. An undersized cord will cause a drop in line voltage resulting in loss of power and overheating. The following table shows the correct size to use depending on cord length and nameplate ampere rating. If in doubt, use the next heavier gage. The smaller the gage number, the heavier the cord.

Recommended Minimum Wire Size for Extension Cords

Total Length of Cord						
25 ft.	50 ft.	75 ft.	100 ft.	125 ft.	150 ft.	175 ft.
7.6 m	15.2 m	22.9 m	30.5 m	38.1 m	45.7 m	53.3 m
Wire Size AWG						
18	18	16	16	14	14	12

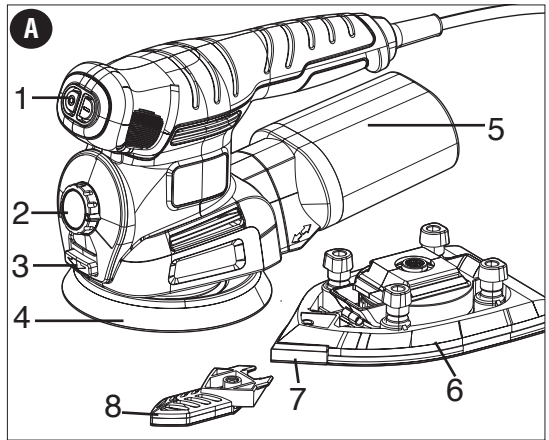
Motor

Be sure your power supply agrees with nameplate marking. 120 Volts AC only means your tool will operate on standard 60 Hz household power. Do not operate AC tools on DC. A rating of 120 volts AC/DC means that your tool will operate on standard 60 Hz AC or DC power. This information is printed on the nameplate. Lower voltage will cause loss of power and can result in over-heating. All Black & Decker tools are factory-tested; if this tool does not operate, check the power supply.

Functional Description -

Figure A

1. On/off switch
2. Smart Select dial
3. Release button
4. Random orbit sanding base
5. Dust canister
6. Large detail sanding base
7. Sanding base tip
8. Detail finger attachment



Sanding

Lead based Paint

Sanding of lead based paint is NOT RECOMMENDED due to the difficulty of controlling the contaminated dust. The greatest danger of lead poisoning is to children and pregnant women.

Since it is difficult to identify whether or not a paint contains lead without a chemical analysis, we recommend the following precautions when sanding any paint:

Personal Safety

- No children or pregnant women should enter the work area where the paint sanding is being done until all clean up is completed.
- A dust mask or respirator should be worn by all persons entering the work area. The filter should be replaced daily or whenever the wearer has difficulty breathing.
NOTE: Only those dust masks suitable for working with lead paint dust and fumes should be used. Ordinary painting masks do not offer this protection. See your local hardware dealer for the proper (NIOSH approved) mask.
- NO EATING, DRINKING or SMOKING should be done in the work area to prevent ingesting contaminated paint particles. Workers should wash and clean up BEFORE eating, drinking or smoking. Articles of food, drink, or smoking should not be left in the work area where dust would settle on them.

Environmental Safety

- Paint should be removed in such a manner as to minimize the amount of dust generated.
- Areas where paint removal is occurring should be sealed with plastic sheeting of 4 mils thickness.
- Sanding should be done in a manner to reduce tracking of paint dust outside the work area.

Cleaning and Disposal

- All surfaces in the work area should be vacuumed and thoroughly cleaned daily for the duration of the sanding project. Vacuum filter bags should be changed frequently.
- Plastic drop cloths should be gathered up and disposed of along with any dust chips or other removal debris. They should be placed in sealed refuse receptacles and disposed of through regular trash pick-up procedures. During clean up, children and pregnant women should be kept away from the immediate work area.
- All toys, washable furniture and utensils used by children should be washed thoroughly before being used again.

Introduction

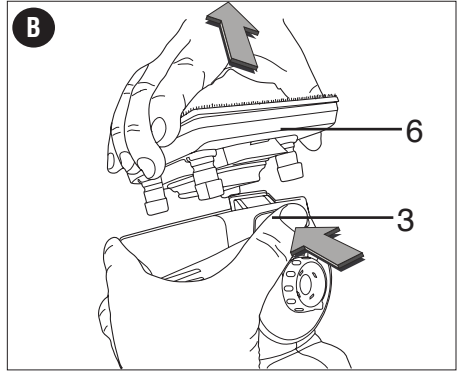
The MS2000 is a complete sanding kit that allows you to choose between 4 different sanding configurations to do a variety of tasks. Combining the versatility with the Smart Select™ feature, the sander gives you optimal results.

Assembly

⚠ Warning: Before assembly, make sure that the tool is switched off and unplugged.

Removing sanding bases - Figure B

- To remove the sanding base, press the release button (3) and pull the base (6) off the tool.

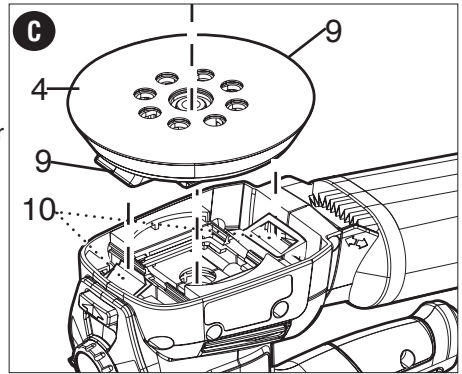


Random orbit sanding base

With this sanding base, you can use the tool as a random orbit sander.

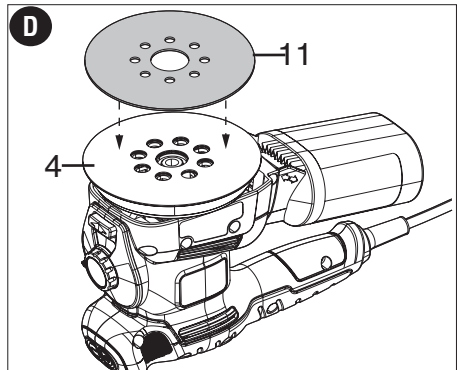
Attaching the random orbit sanding base - Figure C

- Hold the tool and the sanding base (4) facing upwards as shown in figure C.
- Align the dust openings (9) in the sanding base with the dust openings (10) in the tool base.
- Press in on the sanding base until you hear it click into place.



Fitting sanding sheets - Figure D

- Hold the tool with the sanding base (4) facing upwards.
- Place the sanding sheet (11) onto the sanding base (4) making sure the holes in the sheet line up with the holes in the base.

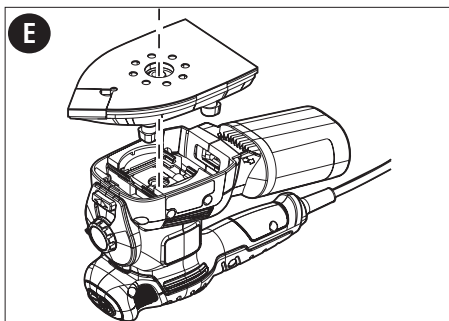


Large detail sanding base

With this sanding base, you can use the tool as a detail sander or a flush sander.

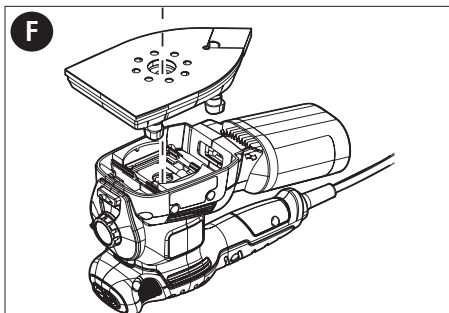
Attaching the large detail sanding base - Figures E & F

For detail sanding, the pointed end should face forward as in figure E.



For sanding large areas, the pointed end should face to the back as in figure F.

- Attach the sanding base as described above under “Attaching the random orbit sanding base”
- Press in on the sanding base until you hear it click into place.

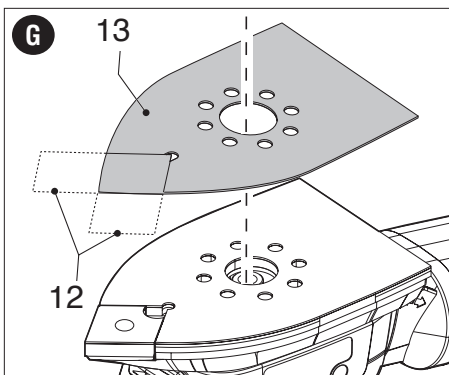


Fitting sanding sheets - Figure G

- Detach the two diamond-shaped tips (12) from the sanding sheet (13).
- Hold the tool with the sanding base facing upwards.
- Place the sanding sheet (13) onto the sanding base, making sure that the holes in the sheet line up with the holes in the base.

The diamond-shaped tip (12) can be reversed and replaced when worn.

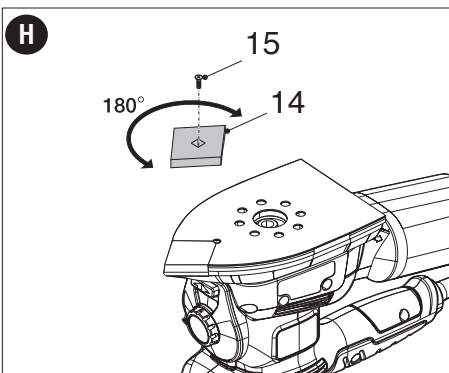
- When the front part of the tip is worn, detach it from the sheet, reverse it and press it onto the sanding base again.
- When the whole tip (12) is worn, remove it from the sanding base and fit a new tip (12).



Tip of the sanding base - Figure H

When the sanding tip (14) is worn, it can be reversed as shown in figure H.

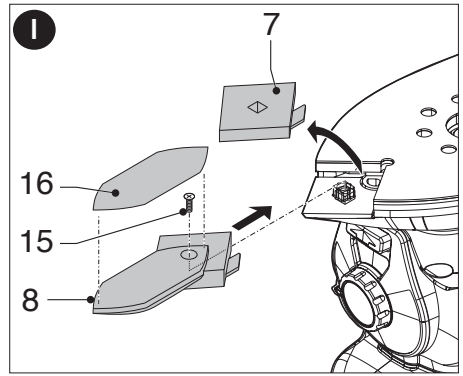
- The tip (14) can be removed and reversed.



Finger attachment - Figure I

The finger attachment is used for fine detail sanding.

- Remove the screw (15).
- Remove the sanding holder tip (7) from the sanding base.
- Fit the finger attachment (8) onto the sanding base.
- Fit and tighten the screw (15).
- Fit the appropriate sanding sheet (16) onto the finger attachment.



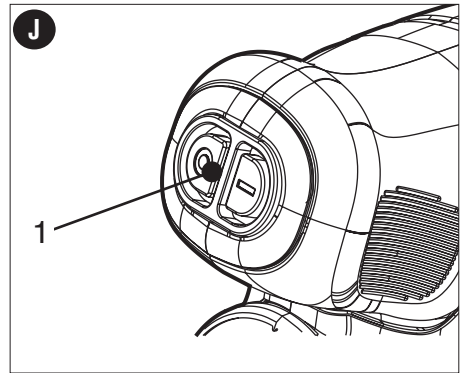
Operation

Let the tool work at its own pace. Do not overload.

⚠Warning: Do not cover the ventilation slots when using the tool. Make sure that the sanding base is flat on the workpiece.

Switching on and off - Figure J

- To switch the tool on, set the on/off switch (1) to position I.
- To switch the tool off, set the on/off switch to position O.



Smart Select Technology - Figure K

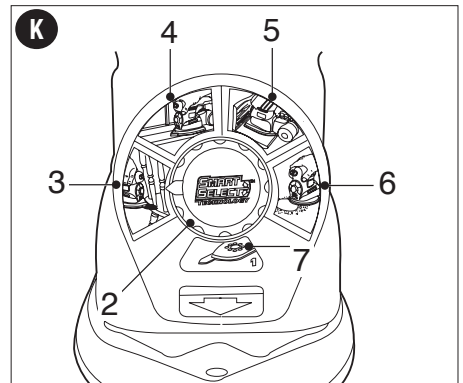
This sander is fitted with a smart select dial (2) which depicts various sanding applications. They are used to select the proper operating mode for your particular sanding application.




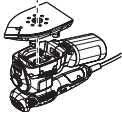
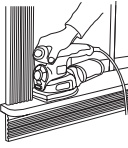
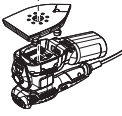

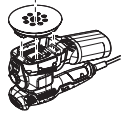
Step 1: Using the Smart Select dial (2) choose the application that you are going to perform; detail sanding (3), corner sanding (4), flush sanding (5), random orbit sanding (6).

Step 2: Once your application is selected, the window below (7) will recommend the correct base that should be used and identifies the corresponding sanding speed (which is automatically set for you).

Step 3: Snap on the recommended base (using the picture and color recommendation in window 7).

Note: You can override the speed at anytime by moving the Smart Select dial clockwise for increased speed.



SMART SELECT TECHNOLOGY CHART					
Setting	Application	Recommended Base	Base Color	Speed Setting	
	Sanding tight and hard to reach areas. Light, detail sanding.	Detail finger attachment		Orange	(1) Low
	Sanding areas with corners. Paint / Stain removal. Surface preparation for painting.	Large detail base - tip facing forward		Blue	(1) Low
	Flush sanding - up to the edge. Sanding doors and window frames. Paint / Stain removal.	Flush sanding base - 90° edge facing forward		Blue	(2) High
	Sanding large areas. Remove the most amount of material quickly. Paint / Stain removal. Surface preparation for painting.	Random orbit base		Green	(2) High

Automatic brake system (ABS)

This tool has an automatic brake system. When the tool is not on the work surface, this feature keeps the speed of the disc below the speed of the motor. When the tool is switched off, the disc will stop very quickly.

Dust Collection

⚠ WARNING: Collected sanding dust from sanding surface coatings (polyurethane, linseed oil, etc.) can self-ignite in sander dust canister or elsewhere and cause fire. To reduce risk, empty canister frequently and strictly follow sander manual and coating manufacturer's instructions.

⚠ CAUTION: When working on metal surfaces, do not use the dust canister or a vacuum cleaner because sparks are generated. Wear safety glasses and a dust mask. Due to the danger of fire, do not use your sander to sand magnesium surfaces. Do not use for wet sanding.

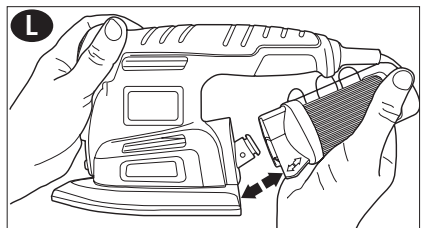
Dust canister - Figure L

Attaching and removing:

- Fit the dust canister over the dust extraction outlet. To remove the canister, pull it out to the rear and off the outlet.

Emptying:

- Remove canister and shake out debris over a trash can.



Hints for optimum use

- For user comfort, the tool can be operated with one hand or two as shown in **figure M**. Do not place your hands over the ventilation slots.
- Do not exert too much pressure on the tool.
- Regularly check the condition of the sanding sheet. Replace when necessary.
- Always sand with the grain of the wood.
- When sanding new layers of paint before applying another layer, use extra fine grit.
- On very uneven surfaces, or when removing layers of paint, start with a coarse grit. On other surfaces, start with a medium grit. In both cases, gradually change to a fine grit for a smooth finish.

Maintenance

Your tool has been designed to operate over a long period of time with a minimum of maintenance.

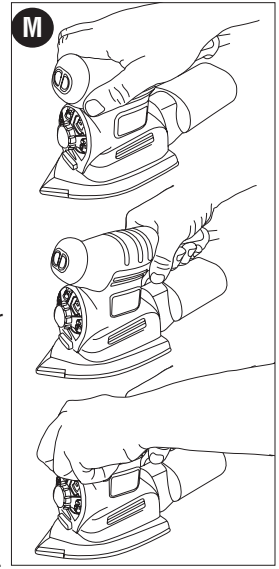
Continuous satisfactory operation depends upon proper tool care and regular cleaning.

- Clear the cooling vents and slots with a clean, dry paint brush.
- Clean the housing with a clean, damp cloth. Do not use solvents.

Accessories

Recommended accessories for use with your tool are available at extra cost from your local dealer or authorized service center. If you need assistance in locating any accessory for your tool, please call 1-800-54-HOW-TO (544-6986).

⚠ WARNING: The use of any accessory not recommended for use with this tool could be hazardous.



TROUBLESHOOTING

Problem

- Unit will not start.
- Circuit fuse is blown.

Possible Cause

- Cord not plugged in.
- Replace circuit fuse.
- Circuit breaker is tripped.
- Cord or switch is damaged.

Possible Solution

- Plug tool into a working outlet.

(If the product repeatedly causes the circuit fuse to blow, discontinue use immediately and have it serviced at a Black & Decker service center or authorized servicer.)

- Reset circuit breaker.

(If the product repeatedly causes the circuit breaker to trip, discontinue use immediately and have it serviced at a Black & Decker service center or authorized servicer.)

- Have cord or switch replaced at Black & Decker Service Center or Authorized Servicer

For assistance with your product, visit our website www.blackanddecker.com for the location of the service center nearest you or call the BLACK & DECKER help line at 1-800-544-6986.

Service Information

All Black & Decker Service Centers are staffed with trained personnel to provide customers with efficient and reliable power tool service. Whether you need technical advice, repair, or genuine factory replacement parts, contact the Black & Decker location nearest you. To find your local service location, refer to the yellow page directory under "Tools—Electric" or call: **1-800-544-6986** or visit **www.blackanddecker.com**

Full Two-Year Home Use Warranty

Black & Decker (U.S.) Inc. warrants this product for two years against any defects in material or workmanship. The defective product will be replaced or repaired at no charge in either of two ways.

The first, which will result in exchanges only, is to return the product to the retailer from whom it was purchased (provided that the store is a participating retailer). Returns should be made within the time period of the retailer's policy for exchanges (usually 30 to 90 days after the sale). Proof of purchase may be required. Please check with the retailer for their specific return policy regarding returns that are beyond the time set for exchanges.

The second option is to take or send the product (prepaid) to a Black & Decker owned or authorized Service Center for repair or replacement at our option. Proof of purchase may be required. Black & Decker owned and authorized Service Centers are listed under "Tools-Electric" in the yellow pages of the phone directory and available on our website **www.blackanddecker.com**.

This warranty does not apply to accessories. This warranty gives you specific legal rights and you may have other rights which vary from state to state. Should you have any questions, contact the manager of your nearest Black & Decker Service Center. This product is not intended for commercial use.

Free warning label replacement: If your warning labels become illegible or are missing, call **1-800-544-6986** for a free replacement.

Black & Decker (U.S.)
Inc.,
701 E. Joppa Rd.
Towson, MD 21286
U.S.A.



See 'Tools-
Electric'
– Yellow Pages –
for Service &
Sales

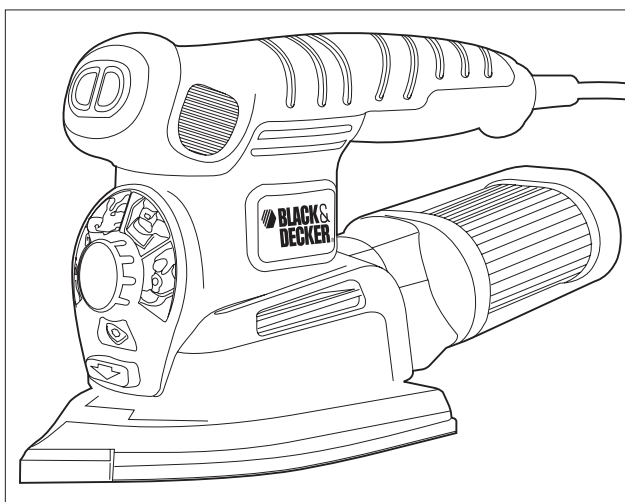


BLACK & DECKER®

PONCEUSE POLYVALENTE SMART SELECT

MODE D'EMPLOI

Numéro de
catalogue :
MS2000



**Merci d'avoir choisi Black & Decker!
Consulter le site Web [www.
BlackandDecker.com/NewOwner](http://www.BlackandDecker.com/NewOwner)
pour enregistrer votre nouveau produit.**

**À LIRE AVANT DE RETOURNER CE PRODUIT
POUR QUELQUE RAISON QUE CE SOIT :**

Si des questions ou des problèmes surgissent après l'achat d'un produit Black & Decker,
consulter le site Web

[HTTP://WWW.BLACKANDDECKER.COM/INSTANTANSWERS](http://www.blackanddecker.com/instantanswers)
pour obtenir des réponses instantanément 24 heures par jour.

Si la réponse est introuvable ou en l'absence d'accès à Internet, composer le
1-800-544-6986 de 8 h à 17 h HNE, du lundi au vendredi, pour parler avec un agent.

Prière d'avoir le numéro de catalogue sous la main lors de l'appel.

CONSERVER CE MANUEL POUR UN USAGE ULTÉRIEUR.

LIGNES DIRECTRICES EN MATIÈRE DE SÉCURITÉ - DÉFINITIONS

Il est important que vous lisiez et compreniez ce mode d'emploi. Les informations qu'il contient concernent VOTRE SÉCURITÉ et visent à ÉVITER TOUT PROBLÈME. Les symboles ci-dessous servent à vous aider à reconnaître cette information.

⚠ DANGER : Indique une situation dangereuse imminente qui, si elle n'est pas évitée, causera la mort ou des graves blessures.

⚠ AVERTISSEMENT : Indique une situation potentiellement dangereuse qui, si elle n'est pas évitée, pourrait causer la mort ou de graves blessures.

⚠ MISE EN GARDE : Indique une situation potentiellement dangereuse qui, si elle n'est pas évitée, pourrait causer des blessures mineures ou modérées.

AVIS : Utilisé sans le symbole d'alerte à la sécurité, indique une situation potentiellement dangereuse qui, si elle n'est pas évitée, peut résulter en des dommages à la propriété.

Avertissements de sécurité généraux pour les outils électriques

⚠ AVERTISSEMENT Lire tous les avertissements de sécurité et toutes les directives. Le non-respect des avertissements et des directives pourrait se solder par un choc électrique, un incendie et/ou une blessure grave.

Conserver tous les avertissements et toutes les directives pour un usage ultérieur.

Le terme «outil électrique» cité dans les avertissements se rapporte à votre outil électrique à alimentation sur secteur (avec fil) ou par piles (sans fil).

1) Sécurité du lieu de travail

- Tenir la zone de travail propre et bien éclairée.** *Les endroits sombres sont souvent des causes d'accidents.*
- Ne pas faire fonctionner d'outils électriques dans un milieu déflagrant, soit en présence de liquides inflammables, de gaz ou de poussière.** *Les outils électriques produisent des étincelles qui peuvent enflammer la poussière ou les vapeurs.*
- Éloigner les enfants et les curieux au moment d'utiliser un outil électrique.** *Une distraction pourrait vous en faire perdre la maîtrise.*

2) Sécurité en matière d'électricité

- Les fiches des outils électriques doivent correspondre à la prise. Ne jamais modifier la fiche en aucune façon.** *Ne jamais utiliser de fiche d'adaptation avec un outil électrique mis à la terre. Le risque de choc électrique sera réduit par l'utilisation de fiches non modifiées correspondant à la prise.*
- Éviter tout contact physique avec des surfaces mises à la terre comme des tuyaux, des radiateurs, des cuisinières et des réfrigérateurs.** *Le risque de choc électrique est plus élevé si votre corps est mis à la terre.*
- Ne pas exposer les outils électriques à la pluie ou à d'autres conditions où il pourrait être mouillé.** *La pénétration de l'eau dans un outil électrique augmente le risque de choc électrique.*
- Ne pas utiliser abusivement le cordon d'alimentation. Ne jamais utiliser le cordon pour transporter, tirer ou débrancher un outil électrique. Tenir le cordon éloigné de la chaleur, de l'huile, des bords tranchants ou des pièces mobiles.** *Les cordons endommagés ou emmêlés augmentent les risques de choc électrique.*
- Pour l'utilisation d'un outil électrique à l'extérieur, se servir d'une rallonge convenant à une telle utilisation.** *L'utilisation d'une rallonge conçue pour l'extérieur réduit les risques de choc électrique.*
- S'il est impossible d'éviter l'utilisation d'un outil électrique dans un endroit humide, brancher l'outil dans une prise ou sur un circuit d'alimentation dotés d'un disjoncteur de fuite à la terre (GFCI).** *L'utilisation de ce type de disjoncteur réduit les risques de choc électrique.*

3) Sécurité personnelle

- a) **Être vigilant, surveiller le travail effectué et faire preuve de jugement lorsqu'un outil électrique est utilisé. Ne pas utiliser d'outil électrique en cas de fatigue ou sous l'influence de drogues, d'alcool ou de médicaments.** *Un simple moment d'inattention en utilisant un outil électrique peut entraîner des blessures corporelles graves.*
- b) **Utiliser des équipements de protection individuelle. Toujours porter une protection oculaire.** *L'utilisation d'équipements de protection comme un masque antipoussière, des chaussures antidérapantes, un casque de sécurité ou des protecteurs auditifs lorsque la situation le requiert réduira les risques de blessures corporelles.*
- c) **Empêcher les démarrages intempestifs. S'assurer que l'interrupteur se trouve à la position d'arrêt avant de relier l'outil à une source d'alimentation et/ou d'insérer un bloc-piles, de ramasser ou de transporter l'outil.** *Transporter un outil électrique alors que le doigt repose sur l'interrupteur ou brancher un outil électrique dont l'interrupteur est à la position de marche risque de provoquer un accident.*
- d) **Retirer toute clé de réglage ou clé standard avant de démarrer l'outil.** *Une clé standard ou une clé de réglage attachée à une partie pivotante peut causer des blessures.*
- e) **Ne pas trop tendre les bras. Conserver son équilibre en tout temps.** *Cela permet de mieux maîtriser l'outil électrique dans les situations imprévues.*
- f) **S'habiller de manière appropriée. Ne pas porter de vêtements amples ni de bijoux.** *Garder les cheveux, les vêtements et les gants à l'écart des pièces mobiles. Les vêtements amples, les bijoux ou les cheveux longs risquent de rester coincés dans les pièces mobiles.*
- g) **Si des composants sont fournis pour le raccordement de dispositifs de dépeussierage et de ramassage, s'assurer que ceux-ci sont bien raccordés et utilisés.** *L'utilisation d'un dispositif de dépeussierage peut réduire les dangers engendrés par les poussières.*

4) Utilisation et entretien d'un outil électrique

- a) **Ne pas forcer un outil électrique. Utiliser l'outil électrique approprié à l'application.** *L'outil électrique approprié effectuera un meilleur travail, de façon plus sûre et à la vitesse pour laquelle il a été conçu.*
- b) **Ne pas utiliser un outil électrique dont l'interrupteur est défectueux.** *Tout outil électrique dont l'interrupteur est défectueux est dangereux et doit être réparé.*
- c) **Débrancher la fiche du secteur ou le bloc-piles de l'outil électrique avant de faire tout réglage ou changement d'accessoire, ou avant de ranger l'outil électrique.** *Ces mesures préventives réduisent les risques de démarrage accidentel de l'outil électrique.*
- d) **Ranger les outils électriques hors de la portée des enfants, et ne permettre à aucune personne n'étant pas familière avec un outil électrique (ou son manuel d'instruction) d'utiliser ce dernier.** *Les outils électriques deviennent dangereux entre les mains d'utilisateurs inexpérimentés.*
- e) **Entretien des outils électriques. Vérifier les pièces mobiles pour s'assurer qu'elles sont bien alignées et tournent librement, qu'elles sont en bon état et ne sont affectées par aucun trouble susceptible de nuire au bon fonctionnement de l'outil électrique. En cas de dommage, faire réparer l'outil électrique avant toute nouvelle utilisation.** *Beaucoup d'accidents sont causés par des outils électriques mal entretenus.*
- f) **S'assurer que les outils de coupe sont aiguisés et propres.** *Les outils de coupe bien entretenus et affûtés sont moins susceptibles de se coincer et sont plus faciles à contrôler.*
- g) **Utiliser l'outil électrique, les accessoires, les forets, etc. conformément aux présentes directives en tenant compte des conditions de travail et du travail à effectuer.** *L'utilisation d'un outil électrique pour toute opération autre que celle pour laquelle il a été conçu est dangereuse.*

5) Réparation

- a) **Faire réparer l'outil électrique par un réparateur professionnel en n'utilisant que des pièces de rechange identiques.** *Cela permettra de maintenir une utilisation sécuritaire de l'outil électrique.*

RÈGLES DE SÉCURITÉ SPÉCIFIQUES

- **Saisir l'outil électrique par ses surfaces de prises isolées lorsque l'outil peut entrer en contact avec des fils cachés ou son cordon.** En cas de contact avec un fil sous tension, les pièces métalliques de l'outil seront sous tension et l'utilisateur subira des secousses électriques.
- **Toujours porter des lunettes de protection et un appareil respiratoire antipoussière pendant le ponçage.**
- **Le ponçage de peintures à base de plomb n'est pas recommandé.** Se reporter à la section **Mesures de précaution concernant le ponçage de peinture** Précautions à prendre pour poncer les peintures pour plus d'informations quant au ponçage des peintures.
- **Nettoyer l'outil régulièrement.**
- **Ranger la ponceuse avec l'un des porte-pièces en place.**
- **Tenir les mains éloignées de la zone de la broche sur l'appareil.**
- **Ne pas tourner la molette Smart Select lorsque l'appareil fonctionne.**
- **Ne pas poser les doigts sur le porte-pièce en cours d'utilisation.**

⚠ AVERTISSEMENT : certains outils électriques, tels que les sableuses, les scies, les meules, les perceuses ou certains autres outils de construction, peuvent produire de la poussière contenant des produits chimiques reconnus par l'État de la Californie comme étant susceptibles d'entraîner le cancer, des malformations congénitales ou pouvant être nocifs pour le système reproductif. Parmi ces produits chimiques, on retrouve :

- le plomb dans les peintures à base de plomb,
- la silice cristalline dans les briques et le ciment et autres produits de maçonnerie,
- l'arsenic et le chrome dans le bois de sciage ayant subi un traitement chimique.

Le risque associé à de telles expositions varie selon la fréquence avec laquelle on effectue ces travaux. Pour réduire l'exposition à de tels produits, il faut travailler dans un endroit bien aéré et utiliser le matériel de sécurité approprié, tel un masque anti-poussières spécialement conçu pour filtrer les particules microscopiques.

- **Éviter tout contact prolongé avec la poussière soulevée par cet outil ou autres outils électriques. Porter des vêtements de protection et nettoyer les parties exposées du corps avec de l'eau savonneuse.** S'assurer de bien se protéger afin d'éviter d'absorber par la bouche, les yeux ou la peau des produits chimiques nocifs.

⚠ AVERTISSEMENT : Cet outil peut produire et répandre de la poussière susceptible de causer des dommages sérieux et permanents au système respiratoire. Toujours utiliser un appareil respiratoire anti-poussières approuvé par le NIOSH ou l'OSHA. Diriger les particules dans le sens opposé du visage et du corps.

⚠ AVERTISSEMENT : TOUJOURS porter des lunettes de sécurité. Les lunettes de vue ne constituent PAS des lunettes de sécurité. Utiliser également un masque facial ou anti-poussière si l'opération de découpe génère de la poussière. TOUJOURS PORTER UN ÉQUIPEMENT DE PROTECTION HOMOLOGUÉ :

- *protection oculaire conforme à la norme ANSI Z87.1 (CAN/CSA Z94.3);*
- *protection auditive ANSI S12.6 (S3.19);*
- *protection des voies respiratoires conformes aux normes NIOSH/OSHA/MSHA.*

Symboles

L'étiquette apposée sur votre outil peut comprendre les symboles suivants.

V	volts	A	ampères
Hz	hertz	W	watts
min	minutes	~	courant alternatif
— —	courant continu	n_0	vitesse à vide
□	Assemblage de classe II	⊕	borne de terre
⚠	symbole d'alerte à la sécurité	.../min	min ou alternances par minute

Rallonges

L'utilisation d'une rallonge conçue pour l'extérieur réduit les risques de choc électrique. Lorsque qu'une rallonge électrique est utilisée, s'assurer d'en utiliser une de calibre suffisamment élevé pour assurer le transport du courant nécessaire au fonctionnement de votre appareil. Un cordon de calibre inférieur causera une chute de tension de ligne et donc une perte de puissance et une surchauffe. Le tableau suivant indique le calibre approprié à utiliser selon la longueur du cordon et l'intensité nominale de la plaque signalétique. En cas de doute, utiliser le calibre suivant le plus gros. Plus le numéro de calibre est petit, plus le cordon est lourd.

Calibre de fil minimum recommandé pour les rallonges

Longueur totale de la rallonge

25 pi	50 pi	75 pi	100 pi	125 pi	150 pi	175 pi
7,6 m	15,2 m	22,9 m	30,5 m	38,1 m	45,7 m	53,3 m

Calibre AWG

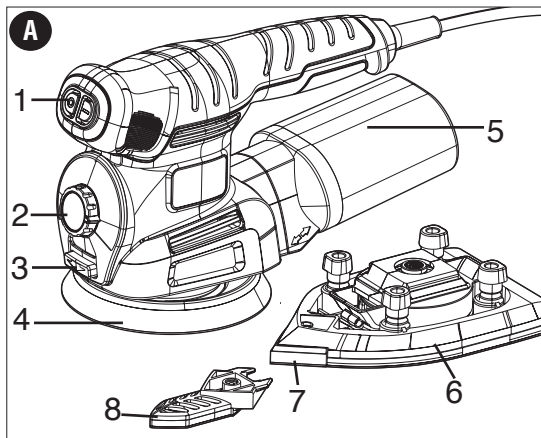
18	18	16	16	14	14	12
----	----	----	----	----	----	----

Moteur

S'assurer que le bloc d'alimentation est compatible avec l'inscription de la plaque signalétique. 120 volts c.a. signifie seulement que l'outil fonctionnera sur une alimentation domestique standard de 60 Hz. Ne pas faire fonctionner des outils à courant alternatif (c.a.) sur un courant continu (c.c.). Un régime nominal de 120 volts c.a./c.c. signifie que votre outil fonctionnera avec une alimentation standard 60 Hz c.a. ou c.c. Ce renseignement figure sur la plaque signalétique. Une plus faible tension entraînera une baisse de régime, ce qui peut entraîner une surchauffe. Tous les outils Black & Decker sont testés en usine; si cet outil ne fonctionne pas, vérifier le bloc d'alimentation.

Description fonctionnelle - Figure A

1. Interrupteur Marche/Arrêt
2. Cadran Smart Select
3. Bouton de dégagement
4. Base de ponçage orbital spécial
5. Compartiment à poussière
6. Base de ponçage pour grande section détaillée
7. Bout de la base de ponçage
8. Attache de doigt pour travaux détaillés



Ponçage

Peinture à base de plomb

Le ponçage d'une peinture au plomb N'EST PAS RECOMMANDÉ en raison de la difficulté entourant le contrôle de la poussière contaminée. Le danger le plus important d'empoisonnement au plomb touche les enfants et les femmes enceintes.

Étant donné qu'il est difficile d'identifier si une peinture contient ou non du plomb sans une analyse chimique, nous vous recommandons de suivre les précautions suivantes lors du ponçage d'une peinture.

Sécurité personnelle

- Les enfants et les femmes enceintes ne devraient pas entrer dans une zone de travail où se fait le ponçage de la peinture avant que la zone n'ait été entièrement nettoyée.
- Toutes les personnes entrant dans la zone de travail doivent porter un masque antipoussières ou un respirateur. Le filtre doit être remplacé chaque jour ou dès que la personne qui le porte éprouve de la difficulté à respirer.

REMARQUE : Seuls les masques qui conviennent pour le travail avec de la poussière et des émanations de peinture au plomb doivent être utilisés. Les masques pour peinture ordinaires n'offrent pas cette protection. Consulter la quincaillerie de votre région pour avoir un masque adéquat (approuvé par la NIOSH).

- Il faut éviter de MANGER, BOIRE et FUMER dans la zone de travail pour empêcher toute ingestion de particules de peinture contaminée. Les travailleurs doivent se laver les mains AVANT de manger, de boire ou de fumer. Ne pas laisser de nourriture, de breuvages ou d'articles de fumeur dans la zone de travail où ils risquent de recevoir de la poussière.

Respect de l'environnement

- La peinture doit être enlevée de façon à minimiser la quantité de poussière produite.
- Les zones où la peinture est enlevée doivent être scellées avec des feuilles de plastique d'une épaisseur de 4 mils.
- Le ponçage doit se faire de façon à réduire le repérage de la poussière de peinture à l'extérieur de la zone de travail.

Nettoyage et élimination

- Toutes les surfaces de la zone de travail doivent être nettoyées à fond à l'aide d'un aspirateur, et ce, chaque jour, pour la durée du projet de ponçage. Il faut changer régulièrement les sacs de filtre pour aspirateur.
- Les toiles de peinture en plastique doivent être rassemblées et mises au rebut avec les particules de poussière ou tout autre débris d'enlèvement. Il faut les placer dans des récipients à rebut étanches et les éliminer par la collecte des ordures ménagères. Pendant le nettoyage, les enfants et les femmes enceintes doivent éviter de se trouver dans la zone immédiate de travail.
- Tous les jouets, meubles lavables et les ustensiles utilisés par les enfants doivent être nettoyés à fond avant de les utiliser de nouveau.

Introduction

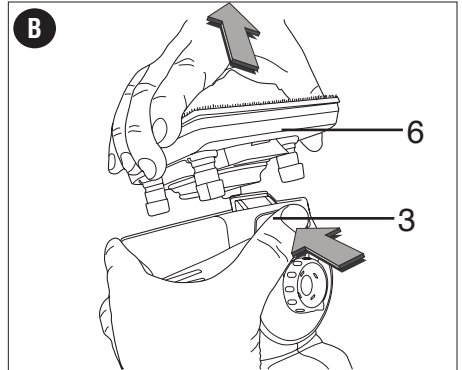
Le MS2000 est un ensemble de ponçage complet qui vous donne le choix entre 4 configurations de ponçage différentes pour accomplir diverses tâches. Grâce à cette polyvalence et à la fonction Smart Select™, la ponceuse vous donne des résultats optimaux.

Assemblage

⚠ AVERTISSEMENT : avant l'assemblage, s'assurer que l'outil est éteint et débranché.

Retrait des bases de ponçage (figure B)

- Pour retirer la base de ponçage, enfoncer le bouton de dégagement (3) et tirer la base (6) pour la détacher de l'outil.

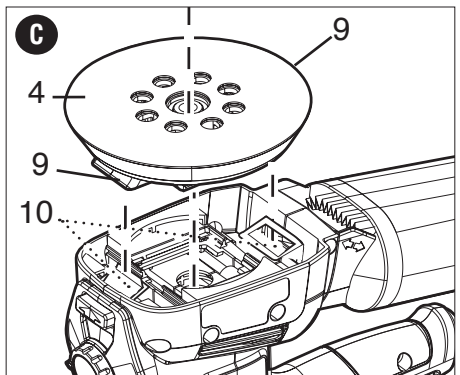


Base de ponçage orbital spécial

Cette base de ponçage permet d'utiliser l'outil comme ponceuse orbitale spéciale.

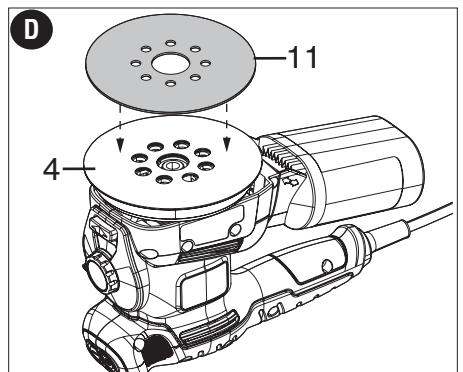
Fixation de la base de ponçage orbital spécial (figure C)

- Tenir l'outil de manière à ce que la base de ponçage (4) soit vers le haut comme l'illustre la figure C.
- Aligner les orifices pour la poussière (9), dans la base de ponçage, sur les orifices pour la poussière (10), dans la base de l'outil.
- Appuyer sur la base de ponçage jusqu'à ce qu'elle s'enclenche en place.



Ajustement des feuilles de papier abrasif (fig. D)

- Tenir l'outil de manière à ce que la base de ponçage (4) soit vers le haut.
- Placer la feuille de papier abrasif (11) sur la base de ponçage (4) en s'assurant que les trous du papier soient alignés sur les trous dans la base.

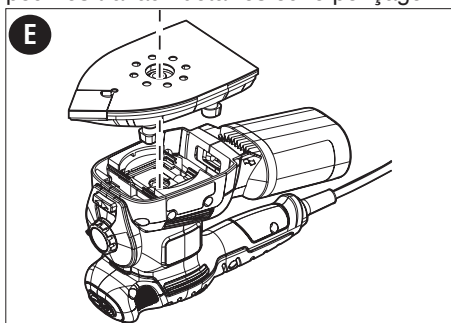


Base de ponçage pour grande section détaillée

Cette base de ponçage permet d'utiliser l'outil pour les travaux détaillés ou le ponçage affleurant.

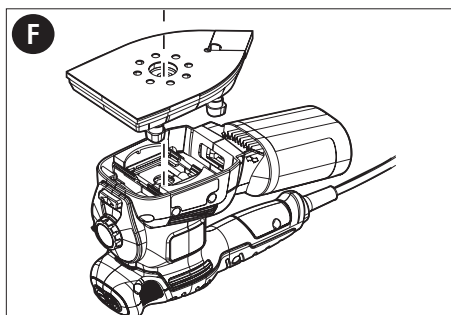
Fixation de la base de ponçage pour grande section détaillée (figures E et F)

Lors de travaux détaillés, l'extrémité pointue devrait être orientée vers l'avant comme dans la figure E.



Lors du ponçage de grandes surfaces, l'extrémité pointue devrait être orientée vers l'arrière comme dans la figure F.

- Fixer la base de ponçage selon les indications ci-dessus à la rubrique « Fixation de la base de ponçage orbital spécial ».
- Appuyer sur la base de ponçage jusqu'à ce qu'elle s'enclenche en place.

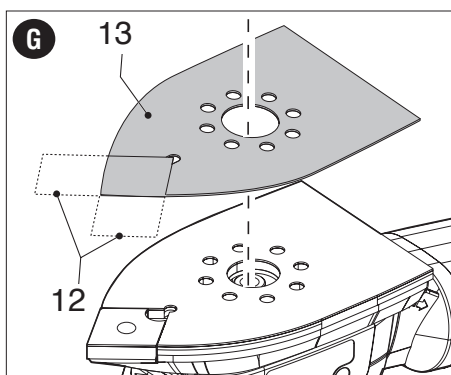


Ajustement des feuilles de papier abrasif (fig. G)

- Détacher les deux extrémités en forme de diamant (12) de la feuille de papier abrasif (13).
- Tenir l'outil de manière à ce que la base de ponçage soit vers le haut.
- Placer la feuille de papier abrasif (13) sur la base de ponçage, en s'assurant que les trous du papier soient alignés avec les trous dans la base.

L'extrémité en forme de diamant (12) peut être inversée et remplacée une fois usée.

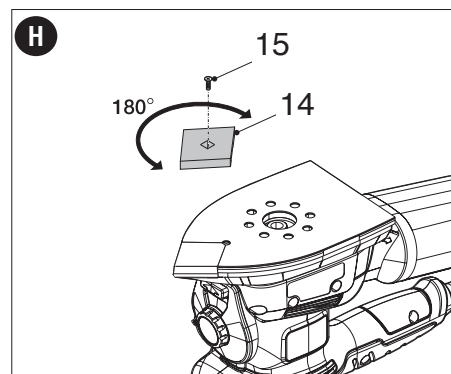
- Lorsque la partie avant de l'extrémité est usée, la détacher du papier, la mettre à l'envers et l'appuyer de nouveau sur la base de ponçage.
- Lorsque toute l'extrémité est usée (12), l'enlever de la base de ponçage et insérer une nouvelle extrémité (12).



Extrémité de la base de ponçage (figure H)

Une fois l'extrémité de la base de ponçage usée (14), elle peut être inversée comme l'illustre la figure H.

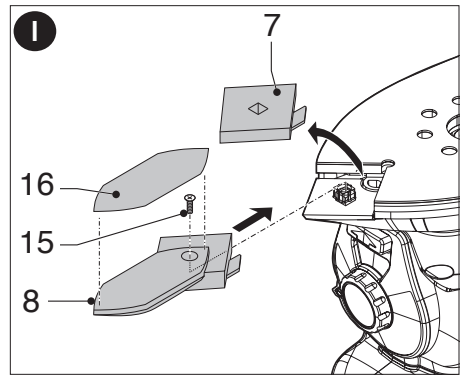
- L'extrémité (14) peut être enlevée ou inversée.



Attache de doigt (fig. I)

L'attache de doigt est utilisée pour le ponçage comportant de fins détails.

- Enlever la vis (15).
- Retirer l'extrémité du support (7) de la base de ponçage.
- Fixer l'attache de doigt (8) sur la base de ponçage.
- L'ajuster et serrer la vis (15).
- Ajuster le papier abrasif (16) approprié sur l'attache de doigt.



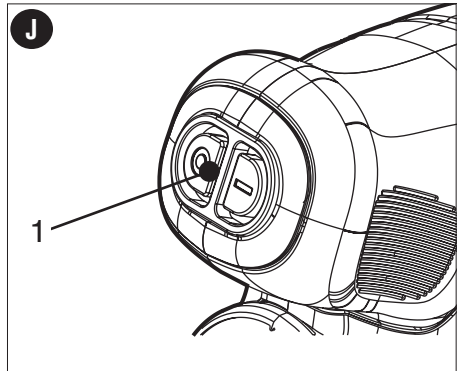
Fonctionnement

Laisser l'outil fonctionner à son propre rythme. Ne pas le surcharger.

⚠️ AVERTISSEMENT : Ne pas couvrir les fentes d'évent au moment d'utiliser l'outil. S'assurer que la base de ponçage repose à plat sur la pièce.

Allumer et éteindre l'outil (fig. J)

- Pour allumer l'outil, régler l'interrupteur marche/arrêt (1) à la position I.
- Pour éteindre l'outil, régler l'interrupteur marche/arrêt à la position O.



Technologie Smart Select (figure K)

Cette perceuse est munie d'un cadran Smart Select (2), qui illustre diverses applications de ponçage. Il permet de sélectionner le mode de fonctionnement qui convient à une application de ponçage particulière.

Étape 1 : à l'aide du cadran Smart Select (2), choisir l'application en cours : travaux détaillés (3), ponçage de coins (4), ponçage affleurant (5), ponçage orbital spécial (6).

Étape 2 : une fois l'application sélectionnée, la fenêtre ci-dessous (7) recommandera la meilleure base à utiliser et le régime de ponçage correspondant (qui est réglé automatiquement pour vous).

Étape 3 : monter la base recommandée (selon l'image et la couleur suggérées dans la fenêtre 7).

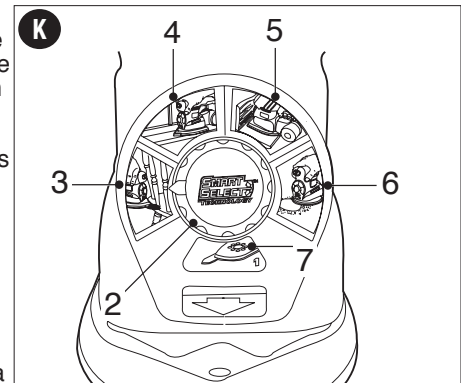



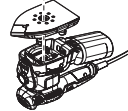
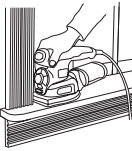
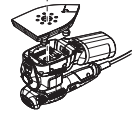

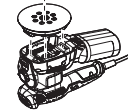


TABLEAU SUR LA TECHNOLOGIE SMART SELECT					
Réglage	Application	Base recommandée		Couleur de la base	Réglage de la vitesse
	Ponçage de zones étroites et difficiles d'accès. Travaux légers et détaillés.	Attache de doigt pour travaux détaillés		Orange	(1) basse
	Ponçage de coins. Enlèvement de peinture/de taches. Préparation d'une surface à peindre.	Base pour grande section détaillée, extrémité vers l'avant		Bleu	(1) basse
	Ponçage affleurant, jusqu'au bord. Ponçage de cadres de porte et de fenêtre. Enlèvement de peinture/de taches.	Base de ponçage affleurant, bord à 90° vers l'avant		Bleu	(2) élevée
	Ponçage de zones étendues. Enlèvement rapide d'une grande quantité de matière. Enlèvement de peinture/de taches. Préparation d'une surface à peindre.	Base de ponçage orbital spécial		Vert	(2) élevée

Remarque : il est toujours possible de modifier soi-même le régime en tournant le cadran Smart Select dans le sens des aiguilles d'une montre pour augmenter la vitesse.

Système de freinage automatique (ABS)

Cet outil comprend un système de freinage automatique. Lorsque l'outil ne repose pas sur la surface de travail, cette fonction maintient le disque à une vitesse inférieure au régime du moteur. Lorsque l'outil est éteint, le disque s'arrête très rapidement.

Dépoussiérage

⚠ AVERTISSEMENT : les poussières de ponçage issues des couches de protection (polyuréthane, huile de lin, etc.) peuvent s'enflammer spontanément dans le compartiment à poussière ou ailleurs et causer un incendie. Pour réduire les risques, vider fréquemment le compartiment à poussière et suivre strictement le mode d'emploi de la ponceuse ainsi que les directives du fabricant de l'enduit.

⚠ MISE EN GARDE : pour le travail effectué sur des surfaces métalliques, ne pas utiliser le compartiment à poussière ou un aspirateur parce que des étincelles peuvent se produire. Porter des lunettes de sécurité et un masque anti-poussières. En raison du risque d'incendie, ne pas utiliser la ponceuse pour poncer des surfaces de magnésium. Ne pas utiliser pour ponçage à l'eau.

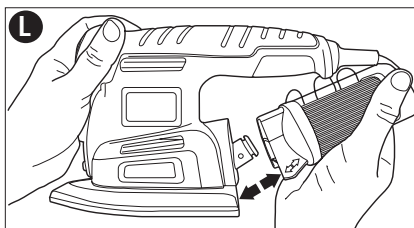
Compartiment à poussière (figure L)

Insertion et retrait du compartiment :

- Ajuster le compartiment à poussière sur la sortie du dispositif de dépoussiérage. Pour retirer le compartiment, le tirer vers l'arrière et hors de la sortie.

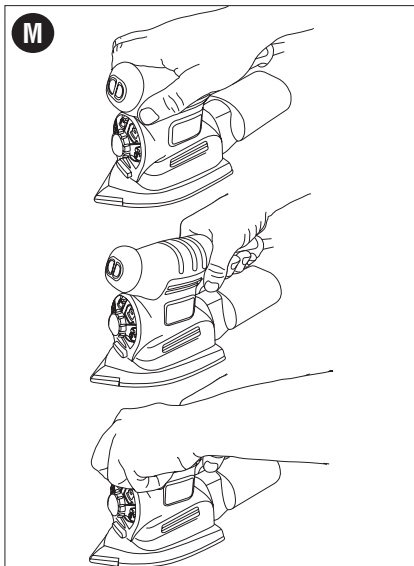
Vidange du compartiment :

- Retirer le compartiment et secouer le contenu au-dessus d'une poubelle.



Conseils pour une utilisation optimale

- Pour plus de confort, il est possible d'utiliser une main ou les deux mains pour faire fonctionner l'outil (**fig. M**). Ne pas mettre les mains sur les fentes d'évent.
- Ne pas appliquer trop de pression sur l'outil.
- Vérifier régulièrement l'état de la feuille de papier abrasif. Le remplacer au besoin.
- Toujours poncer dans le sens du grain de bois.
- Pour le ponçage de nouvelles couches de peinture avant d'appliquer une autre couche, utiliser un grain extra fin.
- Sur des surfaces très inégales, ou pour enlever des couches de peinture, commencer avec un grain grossier. Sur d'autres surfaces, commencer par un grain moyen. Dans les deux cas, passer graduellement à un grain fin pour un fini lisse.



Entretien

L'outil a été conçu pour fonctionner longtemps et demander un minimum d'entretien. Un fonctionnement satisfaisant continu dépend du bon entretien et du nettoyage régulier de l'outil.

- Libérer les événements de refroidissement et les fentes au moyen d'un pinceau propre et sec.
- Nettoyer le boîtier avec un chiffon propre humecté. Ne pas utiliser de solvants.

Accessoires

Les accessoires recommandés pour être utilisés avec l'outil sont disponibles chez le distributeur ou le centre de réparation autorisé de votre région. Pour toute assistance en matière d'accessoire convenant à l'outil acheté, composer le numéro suivant : **1-800-54-HOW-TO (544-6986)**.

⚠AVERTISSEMENT : L'utilisation de tout accessoire non recommandé avec cet outil pourrait s'avérer dangereuse.

DÉPANNAGE

Problème

- L'appareil refuse de démarrer.

Cause possible

- Cordon d'alimentation non branché.
- Le fusible du circuit est grillé.

Solution possible

- Brancher l'outil dans une prise qui fonctionne.
- Remplacer le fusible du circuit. (Si le produit fait griller de façon répétée le fusible du circuit, arrêter immédiatement d'utiliser le produit et le faire réparer dans un centre de réparation Black & Decker ou un centre de réparation

autorisé.)

- Le disjoncteur est déclenché.

- Remettre le disjoncteur à zéro. (Si le produit fait déclencher de façon répétée le disjoncteur, arrêter immédiatement d'utiliser le produit et le faire réparer dans un centre de réparation

• Le cordon d'alimentation ou la prise de courant est endommagé(e).

Black & Decker ou un centre de réparation autorisé.)

• Faire remplacer le cordon ou l'interrupteur au centre de réparation Black & Decker ou à un centre de réparation autorisé.

Pour obtenir de l'aide avec l'outil, consulter notre site Web www.blackanddecker.com pour l'emplacement du centre de réparation le plus près ou communiquer avec l'assistance **BLACK & DECKER** au **1-800-544-6986**.

Information sur les réparations

Tous les centres de réparation Black & Decker sont dotés de personnel qualifié en matière d'outillage électrique; ils sont donc en mesure d'offrir à leur clientèle un service efficace et fiable. Que ce soit pour un avis technique, une réparation ou des pièces de rechange authentiques installées en usine, communiquer avec l'établissement Black & Decker le plus près de chez vous. Pour trouver l'établissement de réparation de votre région, consulter le répertoire des pages jaunes à la rubrique « Outils électriques » ou composer le numéro suivant : **1-800-544-6986** ou se rendre sur le site Web www.blackanddecker.com

Garantie complète de deux ans pour une utilisation domestique

Black & Decker (É.-U.) Inc. garantit ce produit pour une durée de deux ans contre tout défaut de matériau ou de fabrication. Le produit défectueux sera remplacé ou réparé sans frais de l'une des deux façons suivantes :

La première façon consiste en un échange chez le détaillant où le produit a été acheté (à la condition que le magasin soit un détaillant participant). Tout retour doit se faire durant la période correspondant à la politique d'échange du détaillant (habituellement, de 30 à 90 jours après l'achat). Une preuve d'achat peut être requise. Vérifier auprès du détaillant pour connaître sa politique concernant les retours hors de la période définie pour les échanges.

La deuxième option est d'apporter ou d'envoyer le produit (transport payé d'avance) à un centre de réparation autorisé ou à un centre de réparation de Black & Decker pour faire réparer ou échanger le produit, à notre discrétion. Une preuve d'achat peut être requise. Les centres de réparation de Black & Decker et les centres de réparation autorisés sont répertoriés dans les pages jaunes sous la rubrique « Outils électriques » du bottin téléphonique et sur notre site Web www.blackanddecker.com.

Cette garantie ne s'applique pas aux accessoires. Cette garantie vous accorde des droits légaux spécifiques et vous pourriez avoir d'autres droits qui varient d'un État ou d'une province à l'autre. Pour toute question, communiquer avec le directeur du centre de réparation Black & Decker le plus près de chez vous. Ce produit n'est pas destiné à un usage commercial.

Remplacement gratuit des étiquettes d'avertissement : Si les étiquettes d'avertissement deviennent illisibles ou sont manquantes, composer le **1-800-544-6986** pour faire remplacer gratuitement vos étiquettes.

Imported by / Importé par
Black & Decker Canada Inc.
100 Central Ave.
Brockville (Ontario) K6V 5W6

Voir la rubrique "Outils
électriques"
des Pages Jaunes
pour le service et les ventes.

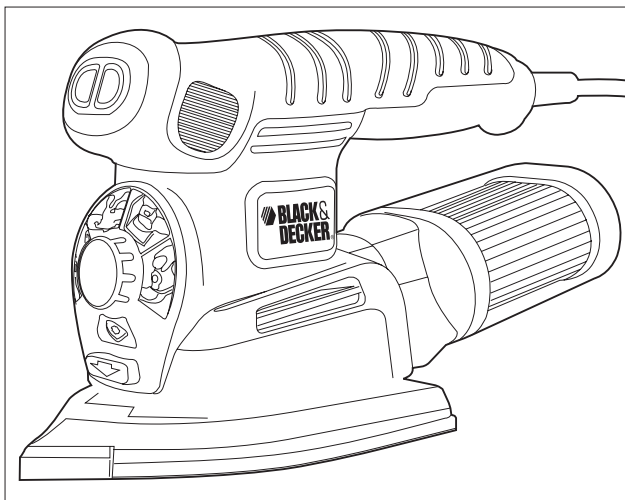


BLACK & DECKER®

LIJADORA MULTIUSO SMART SELECT

MANUAL DE INSTRUCCIONES

**Catálogo
N° MS2000**



**Gracias por elegir Black & Decker!
Visite [www.BlackandDecker.com/
NewOwner](http://www.BlackandDecker.com/NewOwner)
para registrar su nuevo producto.**

LEA EL MANUAL ANTES DE DEVOLVER ESTE PRODUCTO POR CUALQUIER MOTIVO:

Si tiene una consulta o algún inconveniente con su producto Black & Decker, visite
[HTTP://WWW.BLACKANDDECKER.COM/INSTANTANSWERS](http://www.blackanddecker.com/instantanswers)
para obtener respuestas instantáneas las 24 horas del día.

Si no encuentra la respuesta o no tiene acceso a Internet, llame al 1-800-544-6986 de
lunes a viernes de 8 a.m. a 5 p.m. hora del Este para hablar con un agente.

Cuando llame, tenga a mano el número de catálogo.

CONSERVE ESTE MANUAL PARA FUTURAS CONSULTAS.

PAUTAS DE SEGURIDAD/DEFINICIONES

Es importante que lea y comprenda este manual. La información que contiene se relaciona con la protección de SU SEGURIDAD y la PREVENCIÓN DE PROBLEMAS. Los símbolos que siguen se utilizan para ayudarlo a reconocer esta información.

⚠ PELIGRO: indica una situación de peligro inminente que, si no se evita, provocará la muerte o lesiones graves.

⚠ ADVERTENCIA: indica una situación de peligro potencial que, si no se evita, provocará la muerte o lesiones graves.

⚠ PRECAUCIÓN: indica una situación de peligro potencial que, si no se evita, provocará lesiones leves o moderadas.

PRECAUCIÓN: utilizado sin el símbolo de alerta de seguridad indica una situación de peligro potencial que, si no se evita, puede provocar daños en la propiedad.

Advertencias generales de seguridad para herramientas eléctricas

⚠ ADVERTENCIA: Lea todas las advertencias de seguridad e instrucciones. El incumplimiento de las advertencias e instrucciones puede provocar descargas eléctricas, incendios o lesiones graves.

Conserve todas las advertencias e instrucciones para futuras consultas.

El término “herramienta eléctrica” incluido en las advertencias hace referencia a las herramientas eléctricas operadas con corriente (con cable eléctrico) o a las herramientas eléctricas operadas con baterías (inalámbricas).

1) Seguridad en el área de trabajo

- a) **Mantenga el área de trabajo limpia y bien iluminada.** *Las áreas abarrotadas y oscuras propician accidentes.*
- b) **No opere herramientas eléctricas en atmósferas explosivas, como ambientes donde se encuentran líquidos, gases o polvo inflamables.** *Las herramientas eléctricas originan chispas que pueden encender el polvo o los vapores.*
- c) **Mantenga a los niños y espectadores alejados de la herramienta eléctrica en funcionamiento.** *Las distracciones pueden provocar la pérdida de control.*

2) Seguridad eléctrica

- a) **Los enchufes de la herramienta eléctrica deben adaptarse al tomacorriente. Nunca modifique el enchufe de ninguna manera. No utilice ningún enchufe adaptador con herramientas eléctricas con conexión a tierra.** *Los enchufes no modificados y que se adaptan a los tomacorrientes reducirán el riesgo de descarga eléctrica.*
- b) **Evite el contacto corporal con superficies puestas a tierra, como por ejemplo tuberías, radiadores, rangos y refrigeradores.** *Existe mayor riesgo de descarga eléctrica si su cuerpo está puesto a tierra.*
- c) **No exponga las herramientas eléctricas a la lluvia o a condiciones de humedad.** *Si ingresa agua a una herramienta eléctrica, aumentará el riesgo de descarga eléctrica.*
- d) **No maltrate al cable. Nunca utilice el cable para transportar, tirar o desenchufar la herramienta eléctrica. Mantenga el cable lejos del calor, aceite, bordes afilados o piezas móviles.** *Los cables dañados o enredados aumentan el riesgo de descarga eléctrica.*
- e) **Al operar una herramienta eléctrica en el exterior, utilice un cable prolongador adecuado para tal uso.** *Utilice un cable adecuado para uso en exteriores a fin de reducir el riesgo de descarga eléctrica.*
- f) **Si el uso de una herramienta eléctrica en un lugar húmedo es imposible de evitar, utilice un suministro protegido con un interruptor de circuito por falla a tierra (GFCI).** *El uso de un GFCI reduce el riesgo de descargas eléctricas.*

3) Seguridad personal

- a) **Permanezca alerta, controle lo que está haciendo y utilice el sentido común cuando emplee una herramienta eléctrica.** *No utilice una herramienta eléctrica si está cansado o bajo el efecto de drogas, alcohol o medicamentos. Un momento de descuido mientras se opera una herramienta eléctrica puede provocar lesiones personales graves.*
- b) **Utilice equipos de protección personal. Siempre utilice protección para los ojos.** *En las condiciones adecuadas, el uso de equipos de protección, como máscaras para polvo, calzado de seguridad antideslizante, cascos o protección auditiva, reducirá las lesiones personales.*
- c) **Evite el encendido por accidente. Asegúrese de que el interruptor esté en la posición de apagado antes de conectarlo a la fuente de energía o paquete de baterías, o antes de levantar o transportar la herramienta.** *Transportar herramientas eléctricas con el dedo apoyado en el interruptor o enchufar herramientas eléctricas con el interruptor en la posición de encendido puede propiciar accidentes.*
- d) **Retire las clavijas de ajuste o llaves de tuercas antes de encender la herramienta eléctrica.** *Una llave de tuercas o una clavija de ajuste que se deje conectada a una pieza giratoria de la herramienta eléctrica pueden provocar lesiones personales.*
- e) **No se estire. Conserve el equilibrio adecuado y manténgase parado correctamente en todo momento.** *Esto permite un mejor control de la herramienta eléctrica en situaciones inesperadas.*
- f) **Use la vestimenta adecuada. No use ropas holgadas ni joyas. Mantenga el cabello, la ropa y los guantes alejados de las piezas en movimiento.** *Las ropas holgadas, las joyas o el cabello largo pueden quedar atrapados en las piezas en movimiento.*
- g) **Si se suministran dispositivos para la conexión de accesorios con fines de recolección y extracción de polvo, asegúrese de que estén conectados y que se utilicen correctamente.** *El uso de dispositivos de recolección de polvo puede reducir los peligros relacionados con el polvo.*

4) Uso y mantenimiento de la herramienta eléctrica

- a) **No fuerce la herramienta eléctrica. Utilice la herramienta eléctrica correcta para el trabajo que realizará.** *La herramienta eléctrica correcta hará el trabajo mejor y más seguro a la velocidad para la que fue diseñada.*
- b) **No utilice la herramienta eléctrica si no puede encenderla o apagarla con el interruptor.** *Toda herramienta eléctrica que no puede ser controlada mediante el interruptor es peligrosa y debe ser reparada.*
- c) **Desconecte el enchufe de la fuente de energía y/o el paquete de baterías de la herramienta eléctrica antes de realizar ajustes, cambiar accesorios o almacenar herramientas eléctricas.** *Estas medidas de seguridad preventivas reducen el riesgo de encender la herramienta eléctrica en forma accidental.*
- d) **Guarde las herramientas eléctricas que no están en uso fuera del alcance de los niños y no permite que otras personas no familiarizadas con ella o con estas instrucciones operen la herramienta.** *Las herramientas eléctricas son peligrosas en las manos de usuarios no entrenados.*
- e) **Mantenimiento de las herramientas eléctricas. Controle que no haya piezas móviles mal alineadas o trabadas, piezas rotas y toda otra situación que pueda afectar el funcionamiento de las herramientas eléctricas. Si encuentra daños, haga reparar la herramienta eléctrica antes de utilizarla.** *Se producen muchos accidentes a causa de las herramientas eléctricas que carecen de un mantenimiento adecuado.*
- f) **Mantenga las herramientas de corte afiladas y limpias.** *Las herramientas de corte con mantenimiento adecuado, con los bordes de corte afilados son menos propensas a trabarse y son más fáciles de controlar.*
- g) **Utilice la herramienta eléctrica, los accesorios y las brocas de la herramienta, etc. de acuerdo con estas instrucciones y teniendo en cuenta las condiciones de trabajo y el trabajo que debe realizarse.** *El uso de la herramienta eléctrica para operaciones diferentes de aquéllas para las que fue diseñada podría originar una situación peligrosa.*

5) Mantenimiento

- a) Haga que una persona de reparaciones calificada realice el mantenimiento de su herramienta eléctrica y utilice piezas de repuesto idénticas solamente. Esto garantizará la seguridad de la herramienta eléctrica.

NORMAS DE SEGURIDAD ESPECÍFICAS

- Sujete la herramienta eléctrica por las superficies aislantes cuando realice una operación en que la herramienta pueda hacer contacto con cableados ocultos. Al hacer contacto con un cable “vivo”, las partes metálicas de la herramienta se vuelven “vivas” y pueden originar un choque al operador.
- Al lijar, lleve siempre protección ocular y respiratoria.
- No se recomienda el lijado de pintura con base de plomo. Ver Precauciones para el lijado de pintura para mayor información antes de lijar pintura.
- Limpie su herramienta periódicamente.
- Guarde la herramienta con una de las platinas colocadas.
- Mantenga las manos lejos del área del eje de la unidad.
- No gire la perilla Smart Select cuando la unidad esté en funcionamiento.
- No coloque los dedos sobre la platina durante su uso.

⚠ ADVERTENCIA: parte del polvo producido por las herramientas eléctricas al lijar, aserrar, esmerilar, taladrar y realizar otras actividades de la construcción, contiene productos químicos reconocidos por el Estado de California como causantes de cáncer, defectos de nacimiento u otros problemas reproductivos. Algunos de estos productos químicos son:

- el plomo de las pinturas de base plomo,
- la sílice cristalina de ladrillos, el cemento y otros productos de mampostería, y
- el arsénico y el cromo de la madera con tratamiento químico.

El riesgo derivado de estas exposiciones varía según la frecuencia con la que se realice este tipo de trabajo. Para reducir la exposición a estos productos químicos: trabaje en áreas bien ventiladas y trabaje con equipos de seguridad aprobados, como las máscaras para polvo especialmente diseñadas para filtrar las partículas microscópicas.

- Evite el contacto prolongado con el polvo proveniente del lijado, aserrado, amolado y taladrado eléctrico y otras actividades de construcción. Use vestimenta protectora y lave todas las áreas expuestas con agua y jabón. De entrar polvo en sus ojos, boca, o que este permanezca sobre su piel puede promover la absorción de químicos dañinos.

⚠ ADVERTENCIA: El uso de esta herramienta puede generar y/o dispersar el polvo, el cual puede ocasionar lesión respiratoria u otro tipo de lesión grave y permanente. Utilice siempre protección respiratoria NIOSH/OSHA apropiada para la exposición al polvo. Dirija las partículas lejos de su cara o su cuerpo.

⚠ ADVERTENCIA: USE SIEMPRE LENTES DE SEGURIDAD. Los anteojos de uso diario NO son lentes de seguridad. Utilice también máscaras faciales o para polvo si el corte produce polvillo. UTILICE SIEMPRE EQUIPOS DE SEGURIDAD CERTIFICADOS:

- Protección para los ojos según la norma ANSI Z87.1 (CAN/CSA Z94.3)
- Protección auditiva según la norma ANSI S12.6 (S3.19)
- Protección respiratoria según las normas NIOSH/OSHA/MSHA

Símbolos

La etiqueta de su herramienta puede incluir los siguientes símbolos.

V.....voltios

Hz.....hertz

min.....minutos

---corriente directa

☐Construcción Clase II

⚠símbolo de alerta
de seguridad

Aamperios

W.....vatios

~corriente alternante

novelocidad sin carga

⊕terminal a tierra

.../minrevoluciones u
oscilaciones por minuto

Cables prolongadores

Utilice un cable adecuado para uso en exteriores a fin de reducir el riesgo de descarga eléctrica. Cuando utilice un cable prolongador, asegúrese de que tenga la capacidad para conducir la corriente que su producto exige. Un cable de menor capacidad provocará una disminución en el voltaje de la línea que producirá pérdida de potencia y sobrecalentamiento. La siguiente tabla muestra la medida correcta que debe utilizar según la longitud del cable y la capacidad nominal en amperios indicada en la placa. En caso de duda, utilice el calibre inmediatamente superior. Cuanto menor es el número de calibre, más grueso es el cable.

Tamaño mínimo recomendado del conductor para los cables de extensión

Longitud total del cable

25 pies	50 pies	75 pies	100 pies	125 pies	150 pies	175 pies
7.6 m	15.2 m	22.9 m	30.5 m	38.1 m	45.7 m	53.3 m

Tamaño AWG del conductor

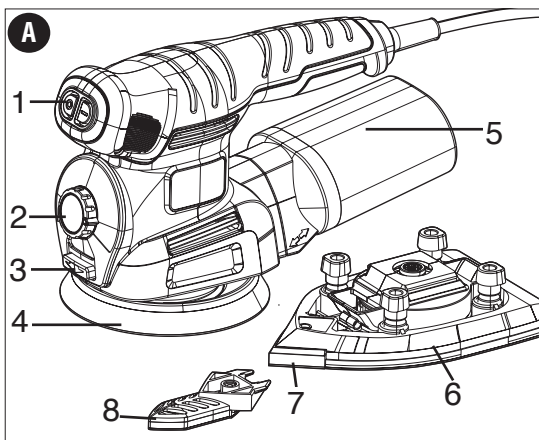
18	18	16	16	14	14	12
----	----	----	----	----	----	----

Motor

Asegúrese de que el suministro de energía concuerde con lo marcado en la placa. CA de 120 voltios solamente significa que su herramienta funcionará con la energía doméstica estándar de 60 Hz. No haga funcionar herramientas para corriente alterna (CA) con corriente directa (CD). Una capacidad nominal de 120 voltios CA/CD significa que su herramienta funcionará con energía estándar de 60 Hz CA o CD. Esta información está impresa en la placa. Un voltaje menor producirá pérdida de potencia y puede provocar sobrecalentamiento. Todas las herramientas Black & Decker se prueban en fábrica. Si esta herramienta no funciona, controle el suministro eléctrico.

DESCRIPCIÓN DE LAS FUNCIONES - Figura A

1. Interruptor de Encendido/Apagado
2. Dial Smart Select
3. Botón de liberación
4. Base para lijar de órbita aleatoria
5. Depósito de aserrín
6. Base para lijar detalles finos
7. Punta del cabezal lijador
8. Dispositivo para detalles finos



Lijado

Lijado de pintura de base plomo

NO SE RECOMIENDA lijar pintura de base plomo debido a la dificultad para controlar el polvo contaminado. El peligro mayor de envenenamiento por plomo es para los niños y las mujeres embarazadas.

Como es difícil identificar si una pintura contiene o no plomo sin realizar análisis químicos, recomendamos tomar las siguientes precauciones al lijar cualquier pintura:

Seguridad personal

- Ningún niño o mujer embarazada debe ingresar al área de trabajo donde se está lijando la pintura hasta que se haya terminado la limpieza final.
- Todas las personas que ingresan al área de trabajo deben usar una máscara para polvo o una mascarilla de respiración. El filtro se debe cambiar diariamente o toda vez que el usuario tenga dificultad para respirar.

NOTA: Sólo se deben usar aquellas máscaras para polvo apropiadas para trabajar con polvo y vapores de pintura de base plomo. Las máscaras comunes para pintar no ofrecen esta protección. Consulte a su comerciante local sobre la máscara apropiada (aprobada por NIOSH).

- NO SE DEBE COMER, BEBER O FUMAR en el área de trabajo para evitar ingerir partículas de pintura contaminada. Los trabajadores se deben lavar y limpiar ANTES de comer, beber o fumar. No se deben dejar artículos para comer, beber o fumar en el área de trabajo donde se podría depositar polvo sobre ellos.

Seguridad ambiental

- La pintura debe ser retirada de forma tal de reducir al mínimo la cantidad de polvo generado.
- Las áreas donde se realiza remoción de pintura deben estar selladas con hojas de plástico de 4 milésimas de pulgada de espesor.
- El lijado se debería realizar de manera de reducir los vestigios de polvo de pintura fuera del área de trabajo.

Limpieza y eliminación

- Todas las superficies del área de trabajo deben ser limpiadas cuidadosamente y repasadas con aspiradora todos los días mientras dure el proyecto de lijado. Se deben cambiar con frecuencia las bolsas de filtro de la aspiradora.
- Las telas plásticas del piso se deben recoger y eliminar junto con cualquier resto de polvo u otros residuos del lijado. Deben colocarse en recipientes de desperdicios sellados y eliminarse por medio de los procedimientos normales de recolección de residuos. Durante la limpieza, los niños y las mujeres embarazadas deben mantenerse lejos del área de trabajo inmediata.
- Todos los juguetes, muebles lavables y utensilios utilizados por los niños deben ser lavados cuidadosamente antes de ser utilizados nuevamente.

Introducción

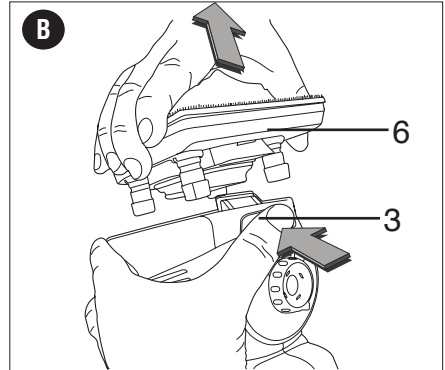
La MS2000 es un completo juego de lijadora que le permite seleccionar entre 4 configuraciones de lijado diferentes para realizar una variedad de tareas. La combinación de versatilidad con la función Smart Select™ permite que la lijadora le brinde óptimos resultados.

Ensamblaje

⚠ADVERTENCIA: Antes de armar la herramienta, asegúrese de que el interruptor esté en la posición de apagado y que esté desenchufada.

Retiro de las bases para lijar - Figura B

- Para retirar la base para lijar, oprima el botón de liberación (3) y saque la base (6) de la herramienta.

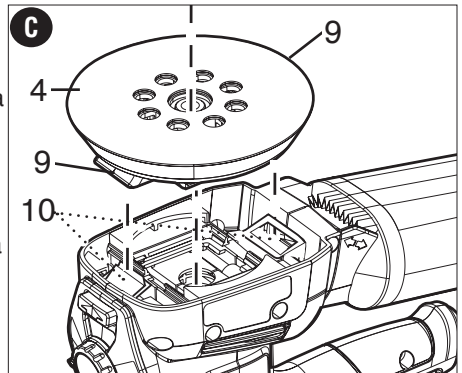


Base para lijar de órbita aleatoria

Con esta base para lijar, puede utilizar la herramienta como una lijadora de órbita aleatoria.

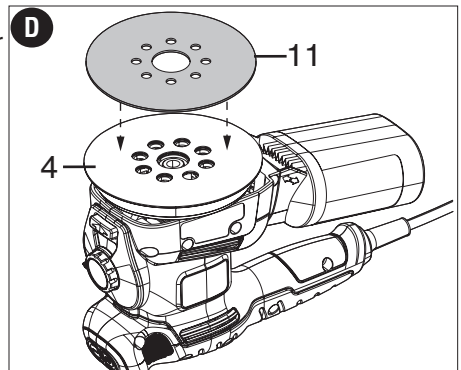
Conexión de la base para lijar de órbita aleatoria - Figura C

- Sujete la herramienta y la base para lijar (4) mirando hacia arriba como se muestra en la figura C.
- Alinee las aberturas para recolección de polvo (9) en la base para lijar con las aberturas para recolección de polvo (10) en la base de la herramienta.
- Ejercer presión sobre la base para lijar hasta escuchar que calza en su lugar.



Ajuste de las hojas de lija (fig. D)

- Sujete la herramienta con la base para lijar (4) mirando hacia arriba.
- Coloque la hoja de lija (11) sobre la base para lijar (4) y asegúrese de que los agujeros en la hoja se alineen con los agujeros en la base.

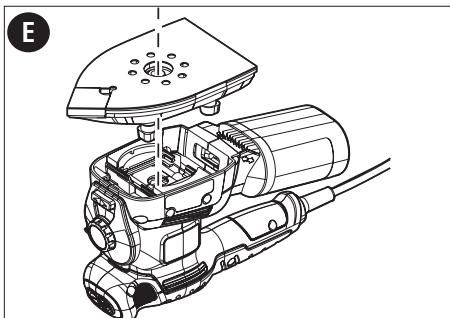


Base para lijar detalles finos

Con esta base para lijar, puede utilizar la herramienta como una lijadora para detalles finos o una lijadora para acabados.

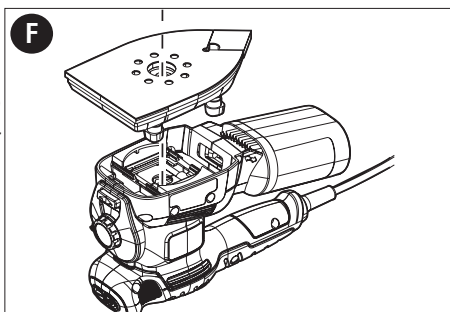
Conexión de la base para lijar detalles finos - Figuras E y F

Para lijado de detalles finos, el extremo en punta debe mirar hacia adelante como en la figura E.



Para lijar superficies grandes, el extremo en punta debe mirar hacia la parte posterior como en la figura F.

- Conecte la base para lijar como se describió anteriormente en “Conexión de la base para lijar de órbita aleatoria”.
- Ejercer presión sobre la base para lijar hasta escuchar que calza en su lugar.

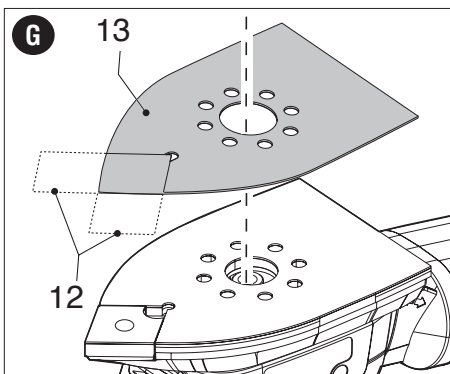


Ajuste de las hojas de lija (fig. G)

- Retire las dos puntas romboidales (12) de la hoja de lija (13).
- Sostenga la herramienta con la base lijadora hacia arriba.
- Coloque la hoja de lija (13) sobre la base lijadora, asegurándose de que los agujeros en la hoja se alineen con los agujeros en la base.

La punta romboidal (12) se puede invertir y reemplazar cuando se gasta.

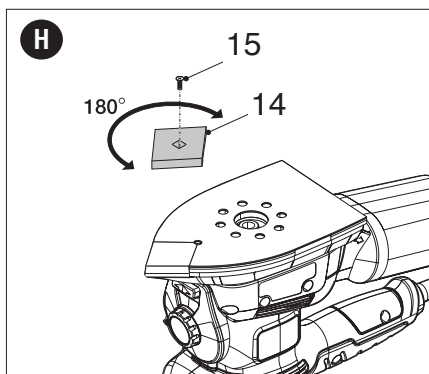
- Cuando la parte delantera de la punta se gasta, retírela de la hoja, invírtala y presiónela nuevamente sobre la base lijadora.
- Cuando se gasta toda la punta (12), retírela de la base lijadora y coloque una punta nueva (12).



Punta de la base para lijar - Figura H

Cuando se gasta la punta (14) de la base para lijar, ésta se puede invertir como se muestra en la figura H.

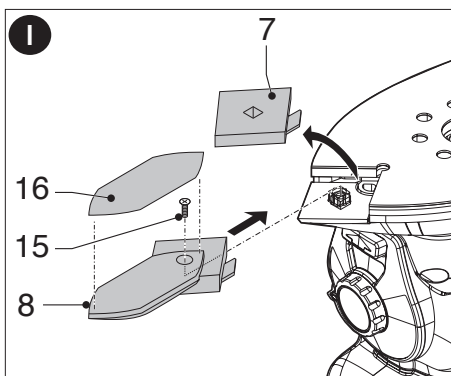
- La punta (14) puede retirarse e invertirse.



Dispositivo para detalles finos (fig. I)

El dispositivo para detalles finos se usa para lijar detalles delicados.

- Retire el tornillo (15).
- Retire la punta del soporte de la base para lijar (7) de la base lijadora.
- Coloque el dispositivo para detalles finos (8) en la base para lijar.
- Coloque y ajuste el tornillo (15).
- Coloque la hoja de lija adecuada (16) en el dispositivo para detalles finos.



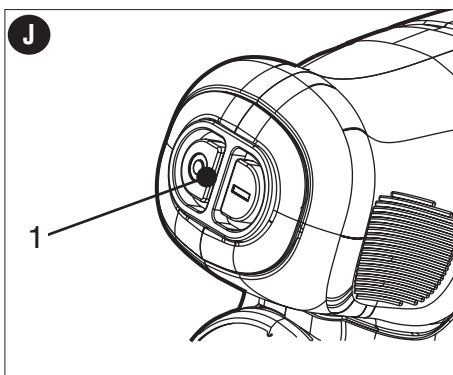
Operación

Permita que la herramienta trabaje a su propio ritmo. No la sobrecargue.

⚠ ADVERTENCIA: No cubra las ranuras de ventilación cuando usa la herramienta. Asegúrese de que la base para lijar esté en posición horizontal sobre la pieza de trabajo.

Encendido y apagado (fig. J)

- Para encender la herramienta, coloque el interruptor de encendido/apagado (1) en la posición I.
- Para apagar la herramienta, coloque el interruptor de encendido/apagado en la posición O.



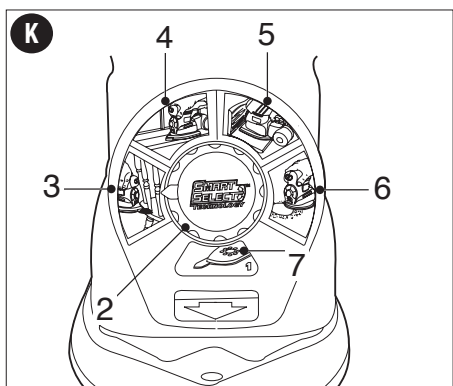
Tecnología Smart Select - Figura K

Esta lijadora cuenta con un dial Smart Select (2) que representa diversas aplicaciones de lijado. Se utilizan para seleccionar el modo de funcionamiento correcto para su aplicación de lijado en particular.



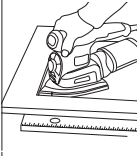
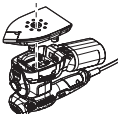
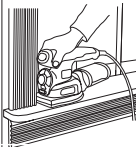
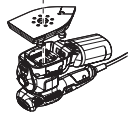

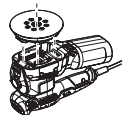
Paso 1: Con el dial Smart Select (2), seleccione la aplicación que desea realizar; lijado de detalles finos (3), lijado de esquinas (4), lijado al ras (5), lijado de órbita aleatoria (6).

Paso 2: Una vez seleccionada la aplicación, la ventanilla debajo (7) recomendará la base correcta que debe utilizarse e identifica la correspondiente velocidad de lijado (que se configura automáticamente para usted).

Paso 3: Instale la base recomendada (utilice la imagen y la recomendación de color en la ventanilla 7).



CUADRO DE LA TECNOLOGÍA SMART SELECT

Configuración	Aplicación	Base recomendada	Color de la base	Configuración de velocidad
	Lijado de áreas estrechas y difíciles de alcanzar. Lijado suave y de detalles finos.	Dispositivo para detalles finos		Anaranjado (1) bajo
	Lijado de áreas con esquinas. Remoción de pintura/manchas. Preparación de superficies para pintura.	Base grande para lijar detalles finos - punta mirando hacia adelante		Azul (1) bajo
	Lijado al ras, hasta el borde. Lijado de puertas y marcos de ventanas. Remoción de pintura/manchas.	Base para lijado al ras - mirando al borde de 90° Avance		Azul (2) alto
	Lijado de grandes áreas. Remoción rápida de una gran cantidad de material. Remoción de pintura/manchas. Preparación de superficies para pintura.	Base de órbita aleatoria		Verde (2) alto

Nota: Puede anular la velocidad en cualquier momento moviendo el dial Smart Select en el sentido de las agujas del reloj para alcanzar una velocidad más alta.

Sistema de freno automático (ABS)

Esta herramienta posee un sistema de freno automático. Cuando la herramienta no toque la superficie de trabajo, esta función conserva la velocidad del disco por debajo de la velocidad del motor. Cuando la herramienta se apague, el disco se detendrá muy rápidamente.

Recolección de polvo

⚠ ADVERTENCIA: El polvo acumulado que se produce al lijar los revestimientos de las superficies (poliuretano, aceite de lino, etc.) puede iniciar una combustión espontánea dentro del depósito de aserrín de la lijadora o en algún otro lugar y ocasionar un incendio. Para reducir este riesgo, vacíe el depósito regularmente y siga estrictamente las instrucciones del manual de la lijadora y del fabricante del revestimiento.

⚠ ATENCIÓN: Al trabajar sobre superficies de metal, no utilice el depósito de aserrín ni una aspiradora debido a que se originan chispas. Utilice gafas de seguridad y una máscara para polvo. Debido al riesgo de incendio, no utilice la lijadora para lijar superficies de magnesio. No utilice la herramienta para lijar superficies húmedas.

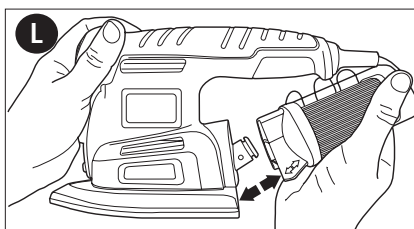
Depósito de aserrín - Figura L

Colocación y extracción:

- Ajuste el depósito de aserrín sobre la salida de extracción de polvo. Para extraer el depósito, hale de él hacia la parte posterior y fuera de la salida.

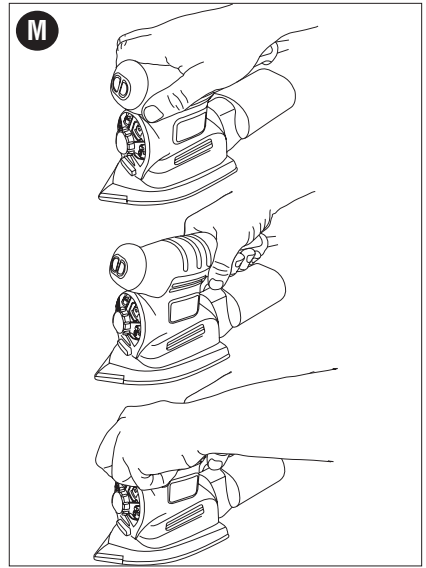
Vaciado:

- Extraiga el depósito y sacuda los residuos sobre un contenedor de basura.



Consejos para un uso óptimo

- Para la comodidad del usuario, se puede utilizar la herramienta con ambas manos o con una (**figura M**). No coloque sus manos sobre las ranuras de ventilación.
- No ejerza demasiada presión sobre la herramienta.
- Controle el estado del papel de lija periódicamente. Reemplácelo cuando sea necesario.
- Siempre lije con la veta de la madera.
- Cuando lije capas nuevas de pintura antes de aplicar otra capa, utilice grano extra fino.
- Sobre superficies muy desparejas o cuando retira capas de pintura, comience con un grano grueso. En otras superficies, comience con un grano mediano. En ambos casos, cambie gradualmente a un grano fino para un acabado liso.



Mantenimiento

Su herramienta ha sido diseñada para funcionar durante un largo período con un mínimo de mantenimiento.

El funcionamiento continuo satisfactorio depende del cuidado adecuado de la herramienta y de una limpieza periódica.

- Despeje los conductos y las ranuras de ventilación con un pincel limpio y seco.
- Limpie la caja con un paño húmedo y limpio. No utilice solventes.

Accesorios

Los accesorios que se recomiendan para la herramienta están disponibles a un costo adicional en su distribuidor local o en un centro de mantenimiento autorizado. Si necesita ayuda para ubicar algún accesorio para su herramienta, llame al **(55)5326-7100**

⚠️ ADVERTENCIA: El uso de accesorios no recomendados para utilizar con esta herramienta puede resultar peligroso.

DETECCIÓN DE PROBLEMAS

Problema	Causa posible	Solución posible
• La unidad no enciende.	<ul style="list-style-type: none">• Cable desenchufado.• El interruptor deslizable de avance y reversa no está en la posición deseada.• Fusible quemado.• El interruptor automático está activado.• El interruptor o el cable está dañado.	<ul style="list-style-type: none">• Enchufe la herramienta en un tomacorriente que funcione.• Presione el interruptor deslizable de avance y reversa por completo hacia la izquierda o hacia la derecha.• Reemplace el fusible quemado. (Si repetidamente el producto hace que el fusible del circuito se queme, deje de utilizarlo inmediatamente y haga que le realicen mantenimiento en un centro de mantenimiento Black & Decker o en un centro de servicio autorizado.)• Reinicie el interruptor automático. (Si repetidamente el producto hace que el fusible del circuito se active, deje de utilizarlo inmediatamente y haga que le realicen mantenimiento en un centro de mantenimiento Black & Decker o en un centro de servicio• Haga que reemplacen el cable o el interruptor en un centro de mantenimiento Black & Decker o en un centro de mantenimiento autorizado.

Para conocer la ubicación del centro de mantenimiento más cercano a fin de recibir ayuda con su producto, visite nuestro sitio Web www.blackanddecker.com o llame a la línea de ayuda de BLACK & DECKER al (55)5326-7100.

Información de servicio

Todos los Centros de mantenimiento de Black & Decker cuentan con personal altamente capacitado dispuesto a brindar a todos los clientes un servicio eficiente y confiable en la reparación de herramientas eléctricas. Si necesita consejo técnico, reparaciones o piezas de repuesto originales de fábrica, póngase en contacto con el centro de mantenimiento de Black & Decker más cercano a su domicilio. Para ubicar a su servicio local, consulte "Herramientas eléctricas" (Tools-Electric) en la sección amarilla, o llame al: (55)5326-7100 o visite www.blackanddecker.com

Garantía completa de dos años para uso en el hogar

Black & Decker (EE.UU.) Inc. ofrece una garantía de dos años por cualquier defecto del material o de fabricación de este producto. El producto defectuoso se reparará o reemplazará sin costo alguno de dos maneras.

La primera opción, el reemplazo, es devolver el producto al comercio donde se lo adquirió (siempre y cuando se trate de un comercio participante). Las devoluciones deben realizarse conforme a la política de devolución del comercio (generalmente, entre 30 y 90 días posteriores a la venta). Le pueden solicitar comprobante de compra. Consulte en el comercio acerca de la política especial sobre devoluciones una vez excedido el plazo establecido.

La segunda opción es llevar o enviar el producto (con flete pago) a un Centro de mantenimiento propio o autorizado de Black & Decker para su reparación o reemplazo según nuestro criterio. Le pueden solicitar comprobante de compra. Encontrará una lista de los Centros de mantenimiento autorizados y de propiedad de Black & Decker bajo "Herramientas eléctricas" (Tools-Electric) en las páginas amarillas de la guía telefónica; la lista también está disponible en nuestro sitio web www.blackanddecker.com. Esta garantía no se extiende a los accesorios. Esta garantía le concede derechos legales específicos que pueden variar según el estado. Ante cualquier inquietud, comuníquese con el Centro de mantenimiento de Black & Decker más cercano. Este producto no es para uso comercial.

Para reparación y servicio de sus herramientas eléctricas, favor de dirigirse al Centro de Servicio más cercano:

CULIACAN, SIN

Av. Nicolás Bravo #1063 Sur
(667) 7 12 42 11
Col. Industrial Bravo

GUADALAJARA, JAL

Av. La Paz #1779
(33) 3825 6978
Col. Americana Sector Juarez

MEXICO, D.F.

Eje Central Lázaro Cardenas
No. 18
(55) 5588 9377
Local D, Col. Obrera

MERIDA, YUC

Calle 63 #459-A
(999) 928 5038
Col. Centro

MONTERREY, N.L.

Av. Francisco I. Madero
No.831
(81) 8375 2313
Col. Centro

PUEBLA, PUE

17 Norte #205
(222) 246 3714
Col. Centro

QUERETARO, QRO

Av. Madero 139 Pte.
(442) 214 1660
Col. Centro

SAN LUIS POTOSI, SLP

Av. Universidad 1525
(444) 814 2383
Col. San Luis

TORREON, COAH

Blvd. Independencia, 96 Pte.
(871) 716 5265
Col. Centro

VERACRUZ, VER

Prolongación Díaz Mirón #4280
(229)921 7016
Col. Remes

VILLAHERMOSA, TAB

Constitución 516-A
(993) 312 5111
Col. Centro

PARA OTRAS LOCALIDADES LLAME AL: (55) 5326 7100

Vea "Herramientas eléctricas (Tools-Electric)" – Páginas amarillas – para Servicio y ventas



BLACK & DECKER S.A. DE C.V.
BOSQUES DE CIDROS ACCESO RADIATAS
NO. 42
COL. BOSQUES DE LAS LOMAS.
05120 MÉXICO, D.F
TEL. 55-5326-7100

Epecificaciones

Tensión de alimentación	120V AC
Potencia nominal:	223W
Consumo de corriente:	2A
Frecuencia de operación:	60 Hz