

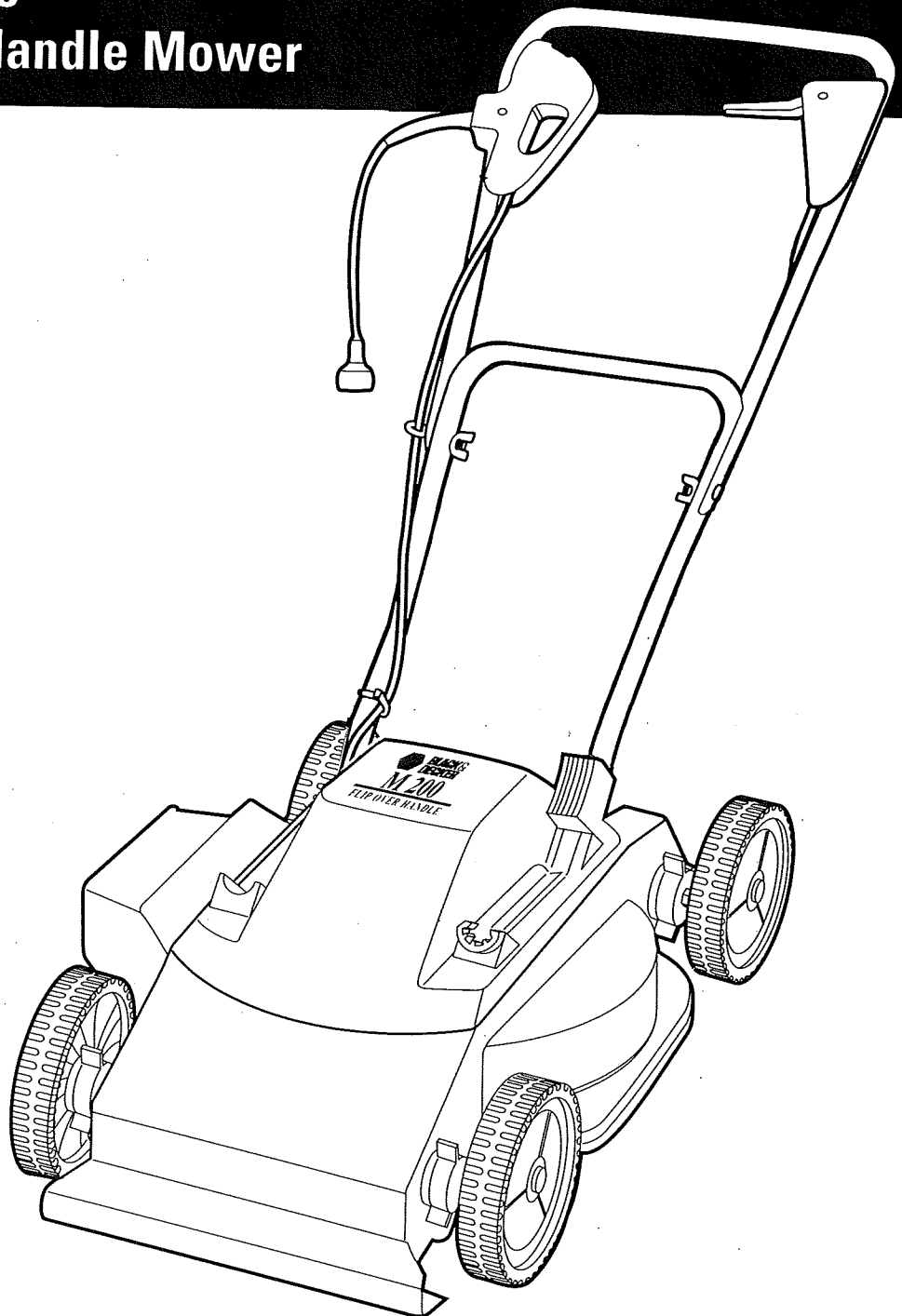


BLACK & DECKER®

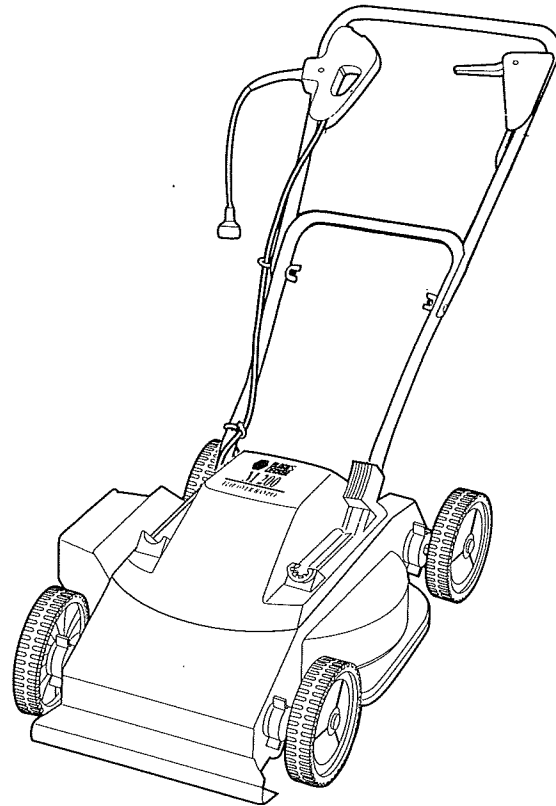
M200

18" Electric

Flip Over Handle Mower



Instruction Manual



Welcome to Black & Decker's World of Outdoor Products

Your new M200 lawnmower has been built to those same tough standards that have made Black & Decker the world's most trusted name in power tools for over seventy five years.

Extremely lightweight to reduce fatigue, and one of the quietest lawnmowers you can buy anywhere, your new mower has an impressive list of features. The Flip Over Handle for easy cord control, extra large wheels for smoother going in rough ground and Quick Set wheel adjusters for fast, easy

wheel height adjustment are just some of the features that make this mower a real value.

Please take the time to read this informative instruction manual. Only with a thorough understanding of your mower and its features will you get the most from it.

Don't forget to send in your owner's registration card.

Thanks for buying Black & Decker.



Important Safety Instructions

Read All Instructions

Warning: When using electric lawnmowers, basic safety precautions should always be followed to reduce the risk of fire, electric shock and personal injury, including the following:

1. **KNOW YOUR MOWER** - Read the Manual carefully. Be thoroughly familiar with the controls and the proper use of your mower.
2. **AVOID DANGEROUS ENVIRONMENT** - Don't use your mower in the rain or in damp or wet locations. Don't operate it in gaseous or explosive atmospheres. Motors normally spark and the sparks might ignite fumes.
3. **USE PROTECTIVE EQUIPMENT** - Wear safety spectacles or goggles while mowing (regular eyeglasses are not safety glasses). Use face or dust mask if operation is dusty. Safety spectacles are available at your Black & Decker dealer.
4. **KEEP GUARDS AND SHIELDS IN PLACE** - and keep in working order.
5. **GUARD AGAINST ELECTRIC SHOCK** - Repair or replace damaged mower cord or extension cords immediately. To prevent disconnection of mower cord from the extension cord during use, knot the cords exactly as shown in Figure 9.
6. **DANGER: KEEP AWAY FROM BLADE AREA** - Risk of cut - Keep hands and feet away from blade. Don't attempt to remove cut material or unclog chute when blade is moving.
7. **DISCONNECT LAWNMOWER** - Release switch lever to turn off mower and after blade has stopped, unplug cord from receptacle or extension cord when tool is not in use, before making adjustments, before servicing, cleaning and when changing accessories such as blades and the likes.
8. **KEEP CHILDREN AWAY** - All visitors should be kept a safe distance from work area.
9. **STORE IDLE LAWNMOWER INDOORS** - When not in use, lawnmower should be stored indoors in a dry place, and, locked-up – out of reach of children.
10. **DON'T FORCE THE MOWER** - It will do the job better and safer at the rate for which it was designed.
11. **USE RIGHT TOOL** - Do not use tool for any job except that for which it is intended.
12. **DRESS PROPERLY** - Do not wear loose clothing or jewelry. They can be caught in moving parts. Use of rubber gloves and footwear is recommended when working outdoors.
13. **DON'T ABUSE CORD** - Never pull lawnmower by cord or yank it to disconnect from receptacle. Keep cord from heat, oil and sharp edges.
14. **WARNING** - To reduce the risk of electric shock hazard use only with an extension cord suitable for outdoor use. Always connect extension cords to a fused line or one protected by a circuit breaker.
15. **DON'T OVERREACH** - Keep proper footing and balance at all times.
16. **MAINTAIN LAWNMOWER WITH CARE** - Keep blade sharp and clean for best and safest performance. Follow instructions for lubricating and changing accessories. Inspect lawnmower cord periodically and if damaged, have it repaired by an authorized service facility. Inspect extension cords periodically and replace if damaged. Keep handles dry, clean, and free from oil and grease.
17. **AVOID ACCIDENTAL STARTING** - Be sure switch is off when plugging in.
18. **OBJECTS STRUCK BY THE LAWNMOWER BLADE** can cause severe injuries to persons. The lawn should always be carefully examined and cleared of all objects prior to each mowing.
19. **IF MOWER STRIKES A FOREIGN OBJECT** follow these steps: (a) Release switch lever to turn off mower and wait for blade to stop, (b) Unplug power cord, (c) Inspect for damage, (d) Repair any damage before restarting and operating the mower.
20. **USE IDENTICAL REPLACEMENT BLADES ONLY.**
21. **WHEN SERVICING** - Use only identical replacement parts.

Additional Safety Instructions

1. Read this instruction manual carefully. Be thoroughly familiar with the controls and the proper use of the equipment.
2. Never allow children to operate a power mower.
3. Keep the area of operation clear of all persons, particularly small children, and pets.
4. Thoroughly inspect the area where the equipment is to be used and remove all stones, sticks, wires, bones, and other foreign objects that could be thrown by the blade.
5. Do not operate the equipment when barefoot or wearing open sandals. Always wear substantial footwear.
6. Never attempt to make a wheel height adjustment while the motor is running, or while the mower is plugged in.
7. Mow only in daylight or in good artificial light.
8. Never operate the equipment in wet grass. Always be sure of your footing; keep a firm hold on the handle and walk; never run. When backing up use extreme caution. Look where you are walking.
9. Do not put hands or feet near or under rotating parts. Keep clear of the discharge opening at all times.
10. Release switch lever to turn mower off when crossing gravel drives, walks, or roads.
11. If the mower stalls, be sure to release switch lever to turn mower off, wait for the blade to stop and unplug the cord before attempting to unclog the chute or remove anything from under the deck.
12. After striking a foreign object, release switch lever to turn mower off, wait for the blade to stop, and unplug the mower, thoroughly inspect the mower for any damage, and repair the damage before restarting and operating the mower.
13. If the equipment should start to vibrate abnormally release switch lever and unplug the mower and check immediately for the cause. Vibration is generally a warning of trouble.
14. Release switch lever to turn mower off, wait for the blade to stop, and unplug the mower whenever you leave the equipment, before unclogging the deck or chute, or cleaning the mower housing, and when making any repairs or inspections.
15. When cleaning, repairing, or inspecting, make certain the blade and all moving parts have stopped.
16. Shut the motor off and wait until

the blade comes to a complete stop, then disconnect the power cord before removing the grass catcher or unclogging the chute.

17. Mow across the face of slopes; never up and down. Exercise extreme caution when changing direction on slopes. Do not mow excessively steep slopes.
18. Never operate the mower without proper guards, plates, or other safety protective devices in place.

Maintenance

1. Be sure the switch lever is released, the blade has stopped and the cord unplugged before doing any maintenance.
2. Check the blade at frequent intervals for proper tightness.
3. Keep all nuts, bolts, and screws tight to be sure the equipment is in safe working condition.
4. If you are using a Grass Catcher, check it frequently for wear or deterioration. If excessively worn, replace with new bag for safety protection.

Double Insulation

Your Mower is **DOUBLE INSULATED** to give you added safety. This means that it is constructed throughout with **TWO** separate "layers" of electrical insulation or one **DOUBLE** thickness of insulation between you and the tool's electrical system.

Tools built with this insulation system are not intended to be grounded. As a result, your mower is equipped with a two-prong plug which permits you to use extension cords without concern for maintaining a ground connection.

NOTE: DOUBLE INSULATION does not take the place of normal safety precautions when operating this mower. The insulation system is for added protection against injury resulting from a possible electrical insulation failure within the tool.

CAUTION: When servicing all tools, **USE ONLY IDENTICAL REPLACEMENT PARTS.** Repair or replace damaged cords.

Polarized Plug

To reduce the risk of electric shock, this lawnmower has a polarized plug (one blade is wider than the other). This plug will fit in a polarized outlet only one way. If the plug does not fit fully into the outlet, reverse the plug. If it still does not fit, contact a qualified electrician to install the proper outlet. Do not change the plug in any way.

Extension Cords

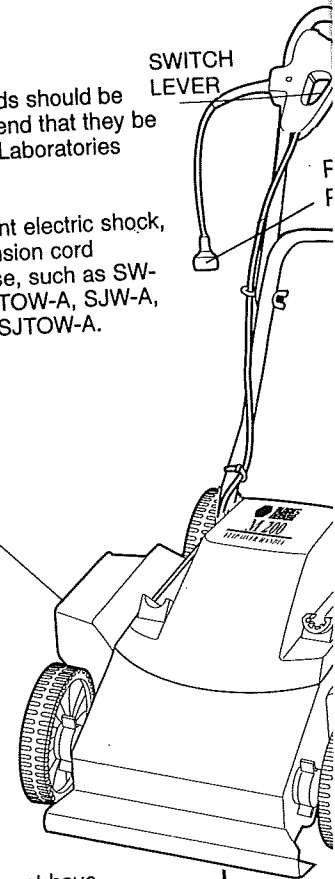
Double insulated tools have 2 wire cords, and can be used with 2 wire or 3 wire extension cords. Only round

jacketed extension cords should be used, and we recommend that they be listed by Underwriters Laboratories (U.L.).

WARNING – To prevent electric shock, use only with an extension cord suitable for outdoor use, such as SW-A, SOW-A, STW-A, STOW-A, SJW-A, SJOW-A, SJTW-A or SJTOW-A.

DISCHARGE CHUTE

SWITCH LEVER



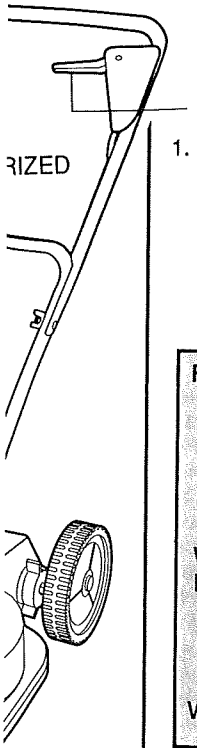
An extension cord must have adequate wire size (AWG or American Wire Gauge) for safety, and to prevent loss of power and overheating. The smaller the gauge number of the wire, the greater the capacity of the cable, that is 16 gauge has more capacity than 18 gauge. When using more than one extension to make up the total length, be sure each individual extension contains at least the minimum wire size.

To determine the minimum wire size required, refer to the chart below: (Refer to your mower's nameplate to find the Ampere Rating)

MINIMUM GAUGE FOR CORD SETS

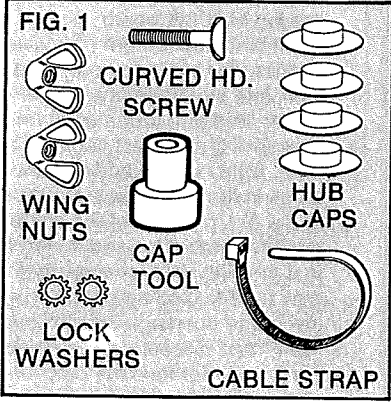
| Ampere Rating | Total Length of Cord in Feet | | | | | | | |
|-----------------|------------------------------|--------|---------|-----------------|----|----|----|----|
| | 25 ft. | 50 ft. | 100 ft. | 150 ft. | | | | |
| More Than 0 | A.W.G. | | | | | | | |
| Not More Than 6 | | | | | | | | |
| 6 - 10 | | | | | 18 | 16 | 16 | 14 |
| 10 - 12 | | | | | 18 | 16 | 14 | 12 |
| 12 - 16 | 16 | 16 | 14 | 12 | | | | |
| | 12 | 14 | 12 | NOT RECOMMENDED | | | | |

Before using an extension cord, inspect it for loose or exposed wires, damaged insulation, and defective fittings. Make any needed repairs or replace the cord if necessary. Black & Decker has extension cords available that are U.L. listed for outdoor use.

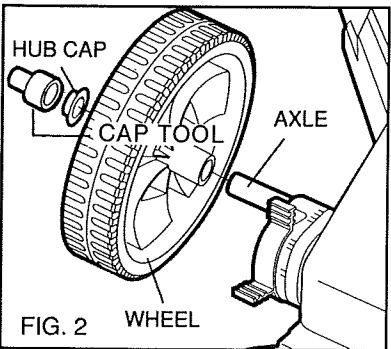


HANDLE
RELEASE
LEVER

- Your mower carton contains the mower, 4 wheels and 1 plastic bag. The bag contains 2 wing nuts, 2 lock washers, 4 hub caps, 1 curved hd. screw, 1 cap tool and the cord strap required for assembly. These parts are shown in Figure 1.

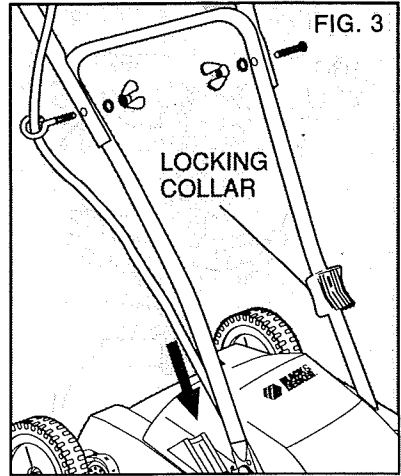


- Slide a wheel on the axle. Locate the hub cap in the end of the cap tool as shown in Fig. 2 (cap tool has been supplied with the unit to assist in the assembly of the wheels.)
NOTE: Before tapping on a hub cap be sure the wheel has been installed as shown in Fig. 2. The hub caps once installed are impossible to remove. Secure each wheel by tapping on the end of the cap tool until the hub cap bottoms on the end of the axle.

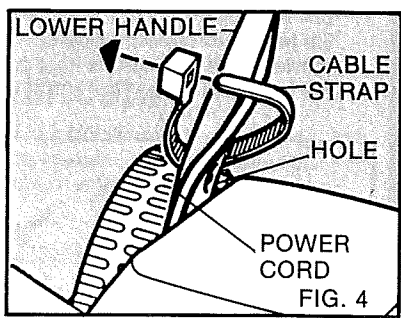


- Fasten the upper and lower handle halves together using the eye bolt already installed on the power cord and the curved hd. screw. Install and tighten securely the lock washers and the wing nuts from the plastic bag. When assembling the handle, make sure that the power cord and power switch are on the same side of the mower as the discharge chute. Tighten the wing nuts securely. Insert the ends of the lower handle half at the

sides of the mower shroud, as shown in Figure 3.

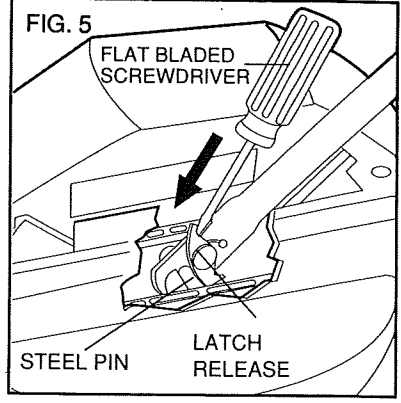


- Push the handle against the pins firmly until you feel it snap into place.
- Wrap the cable strap around the lower handle and the power cord. (See Fig. 4). Locate one end of the cable strap into the slot on the other end of the cable strap and feed through forming a loop. Before tightening the loop, align the cable strap with the hole in the lower handle. (See Fig. 4). Now you can pull the cable strap tightly around the power cord and lower handle. Use of the cable strap is very important to prevent pinching of the power cord between the mower deck and the lower handle.



NOTE: To remove the handle for storage, transportation or other reasons, position on the mower so that it's in the normal operating position with the discharge chute to your RIGHT. TURN OFF AND UNPLUG THE MOWER.

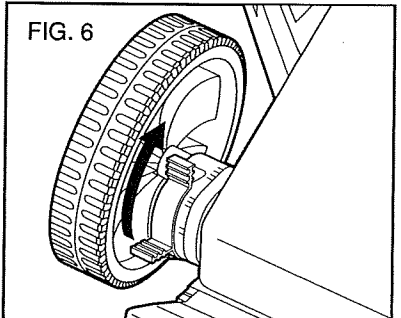
Insert a flat bladed screwdriver against the latch release, as shown in Figure 5.



Press the latch release forward until it stops. Pull the handle up and off of the steel pins (both sides). Fold the mower handle in half by loosening the wing nuts you installed in Figure 3. Fold the handle down backwards to avoid stretching the cables.

6. WHEEL HEIGHT ADJUSTMENT (from 5/8" to 3" blade to ground) TURN OFF AND UNPLUG MOWER BEFORE MAKING THIS ADJUSTMENT.

Your mower features the Black & Decker Quick-Set Wheel Height Adjustment System. To raise or lower the cutting height, simply push or pull the lever located at each wheel, as shown in Figure 6. The lever will move either forward or back. Align the desired number, I through IIIII, at the top. Make sure all four wheels are set at the same height.

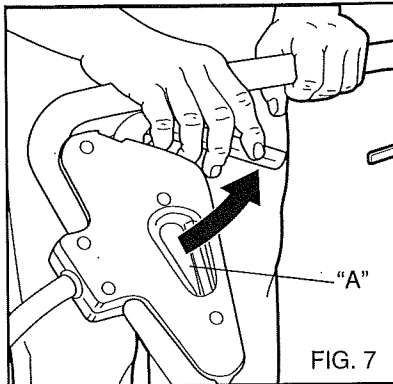


BLADE HEIGHT ADJUSTMENT CHART

| Position | Blade Distance from Ground |
|----------|----------------------------|
| I | 3" |
| II | 2-5/8" |
| III | 1-3/4" |
| IIII | 1" |
| IIIII | 5/8" |

Switch

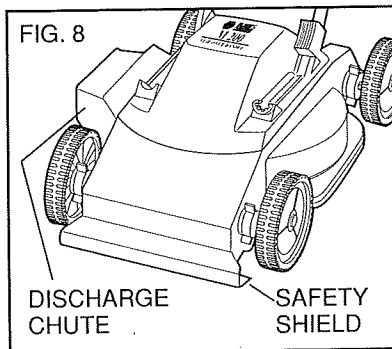
Your mower is equipped with a special switch. To operate the switch, insert your finger into the opening (A) in figure 7 and push the lever out so that you can grab it with your other hand. Pull the lever back to turn the unit on and hold it against the mower handle to keep it running. To turn the mower off, just release the lever. The spring loaded "SNAP ACTION" lever will quickly turn the mower off.



CAUTION: NEVER ATTEMPT TO OVERRIDE THE OPERATION OF THIS SWITCH.

Safety Shield & Discharge Chute

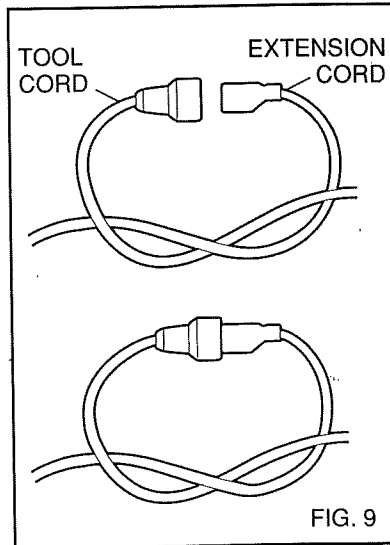
This safety shield (Figure 8) is designed to minimize the throwing of stones or other objects by the mower blade backward from under the mower deck. The shield, along with the discharge chute minimize the possibility of accidental foot contact with the blade. **DO NOT** operate mower without the safety shield and discharge chute in place.



Attaching Extension Cord to Mower Cord

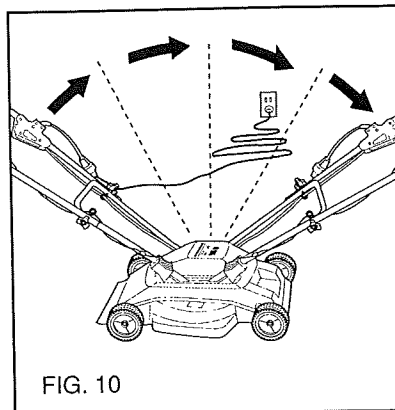
DO NOT connect the extension cord to power source until you have

finished reading this manual and are ready to start mowing. To prevent disconnection of mower cord from extension cord when mowing, make a knot as shown in (figure 9).



Mowing Procedure with Flip Handle

1. Inspect area where mower is to be used and remove all stones, sticks, wire, bones, and other debris which might be thrown by the rotating blades.
2. Place most of the extension cord close to the electrical outlet, out of the path of the mower (Figure 10). **CAUTION: Do not plug extension cord into receptacle outlet while standing in water or when hands are wet.**
3. Begin mowing in the area closest to the outlet and mow in a back and forth manner (Figure 10). When you reach the end of a cut pull the handle release lever and flip handle to opposite side of mower. Note that cord is kept on cut portion of lawn.



4. Mow across the face of slopes, never up-and-down. Exercise extreme caution when changing direction on slopes. Do not mow excessively steep slopes. Always maintain good footing.
5. Release switch to turn mower "OFF" when crossing any graveled area (stones can be thrown by the blade).
6. Set mower at highest cutting height when mowing in rough ground or in tall weed.
7. From time to time turn off mower and wait for blade to come to a complete stop then unplug the power cord and turn mower on its side. Using an object such as a stick, wipe out any accumulation of grass in the blade area. Be careful of the sharp edges of the blade. If a grass catcher is used during the fast growing season, the grass may tend to clog up at the discharge opening. Turn the switch "OFF" and disconnect the power cord plug. Remove the catcher and shake the grass down to the back end of the bag. Also clean out any grass or debris which may be packed around the discharge opening. Clean often in wet, spring grass. Replace the grass catcher.
8. If mower should start to vibrate abnormally, turn mower "OFF" and unplug power cord. Check immediately for cause. Vibration is a warning of trouble. Do not operate mower until a service check has been made.
9. **ALWAYS TURN THE SWITCH OFF AND UNPLUG THE MOWER WHEN LEAVING IT UNATTENDED EVEN FOR A SHORT PERIOD OF TIME.**
10. When you are finished mowing, turn mower "OFF", and unplug the extension cord at the electrical outlet before coiling it for storage.

Blade Sharpening

Keep blades sharp for best mower performance. Sharpening procedure is as follows.

1. **RELEASE SWITCH LEVER TO TURN MOWER OFF AND UNPLUG MOWER!**
2. The blade can be sharpened in several different ways. Try to maintain the original cutting angle, and sharpen each cutting edge an equal amount. Bent or damaged blades should be replaced with No. MB-018 Replacement Blade.

BY HAND – Blade need not be removed. Being careful not to cut yourself, sharpen both edges of the blade with a sharpening stone or fine tooth file.

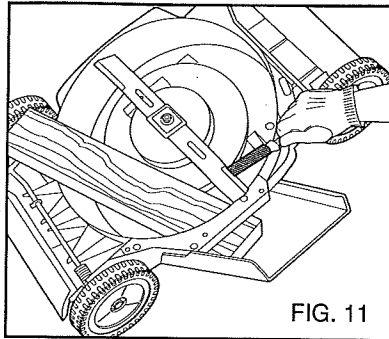


FIG. 11

OTHER SHARPENING METHODS

Wear proper eye protection! With the blade removed from the mower, it can also be sharpened on a bench grinder, or, when held in a vise, with a power disc sander.

Removing and Attaching Blades

1. RELEASE SWITCH LEVER TO TURN MOWER OFF, LET THE BLADE COME TO A COMPLETE STOP THEN UNPLUG MOWER!
2. Cut a piece of 2 x 4 wood (about 2 feet long) to keep blade from turning while removing blade nut.
3. Wear gloves. Position wood and remove nut as shown in Figure 12.

4. Remove lower blade spacer, lower insulator washer and blade (Figure 13).
5. When replacing sharpened or new blade on shoulder of fan, make sure cutting edges of the blade are closest to ground. Place lower insulator washer over shoulder of the fan. Now place lower blade spacer and the blade nut on the shaft.

NOTE: Align flats of shaft with flats in lower insulator washer and lower blade spacer. Position wood to keep shaft from turning (Figure 14) and then securely tighten blade nut.

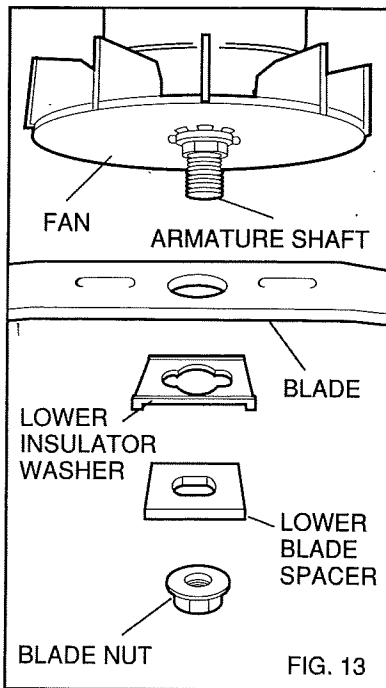


FIG. 13

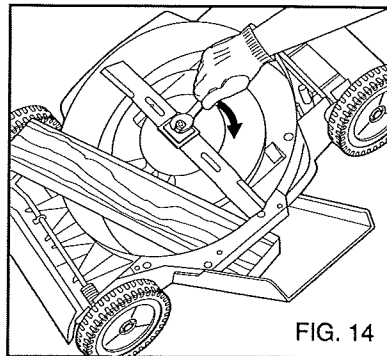


FIG. 14

Lubrication

No lubrication is necessary. Do not oil the wheels. They have plastic bearings which require no lubrication.

Cleaning and Storage

TURN OFF, LET BLADE COME TO A STOP AND THEN UNPLUG MOWER! Use only mild soap and a damp cloth to clean the mower. Clean out any clippings which may have accumulated on the underside of the deck. After several uses, check all exposed fasteners for tightness.

Your mower should be stored in a dry place.

PREVENTING CORROSION

Fertilizers and other garden chemicals contain agents which greatly accelerate the corrosion of metals. If you mow in areas where fertilizers or chemicals have been used, the mower should be cleaned immediately afterward as follows: (1) Be sure the tool is turned off and unplugged, (2) Wipe all exposed parts with a damp cloth.

CAUTION: DO NOT POUR OR SPRAY WATER ON THE MOWER IN AN ATTEMPT TO CLEAN IT.

Do not store the tool on or adjacent to fertilizers or chemicals. Such storage can cause rapid corrosion.

GRASS CATCHER ASSEMBLY (OPTIONAL)

For a really professional look to your lawn, Black & Decker offers the MC-001 Grass Catcher Assembly at extra cost. (See Fig. 15.) The bag captures grass clippings and other light debris for a great looking lawn.

FIG. 15



MC-001 GRASS CATCHER ASSEMBLY

Accessories

| | |
|--------------------------------|------------------------|
| 88-050 ft., 16 ga., 3 wire | OUTDOOR EXTENSION CORD |
| 88-100 100 ft., 16 ga., 3 wire | OUTDOOR EXTENSION CORD |
| MC-001, LM-001 | GRASS CATCHER ASSEMBLY |
| MB-018, LM-018 | REPLACEMENT BLADE |
| 72-000 | PROTECTIVE SPECTACLES |

CAUTION: The above accessories are recommended for use with your mower. The use of any other accessory or attachment might be hazardous.

The accessories listed in this manual are available at extra cost from your local dealer or Black & Decker Service Center.

A complete listing of service centers is included on the owner's registration card packed with your tool. If you need assistance in locating any accessory please contact:

Black & Decker (U.S.) Inc.
Consumer Service Department
626 Hanover Pike
P.O. Box 618
Hampstead, MD 21074-0618

Important

To assure product SAFETY and RELIABILITY, repairs, maintenance and adjustment (including brush inspection and replacement) should be performed by BLACK & DECKER Service Centers or other qualified service organizations, always using Black & Decker replacement parts. When servicing use ONLY IDENTICAL REPLACEMENT PARTS.

HOME USE WARRANTY

FULL TWO-YEAR WARRANTY ON MOWER AND FULL FIVE-YEAR WARRANTY ON PLASTIC DECK

Black & Decker (U.S.) Inc. warrants (in non-commercial use) this entire mower for two years and the plastic deck (only) of the mower for five years against defects that are due to faulty materials or workmanship. Please return the mower to Black & Decker Service Center or Authorized Service Station listed under "Tools, Electric" in the yellow pages for free replacement or repair at our option (proof of purchase may be required). This warranty gives you specific legal rights and you may have other rights which vary from state to state. Should you have any questions, contact your nearest Black & Decker Service Center.

30-Day No-Risk Try Out

If you are not completely satisfied with this product's performance, simply return to your place of purchase within 30 days for a full refund.

Every Black & Decker tool is of the highest quality. If you wish to contact us regarding this product, please call toll free between 8:00 a.m. and 5:00 p.m. EST, Monday through Friday 1-800-762-6672.

Like most Black & Decker products your tool is listed by Underwriters Laboratories to ensure that it meets stringent safety requirements.



This symbol on the nameplate means the product is listed by Underwriter's Laboratories, Inc.

SAVE THESE INSTRUCTIONS FOR FUTURE USE.



BLACK & DECKER®

BLACK & DECKER (U.S.) INC., U.S. Power Tools Group, 701 East Joppa Road, Towson, MD 21286 U.S.A.

Form No. 158557-07
(OCT 90-1) Copyright© 1990 Black & Decker
Made and printed in Canada

M200



November 1992