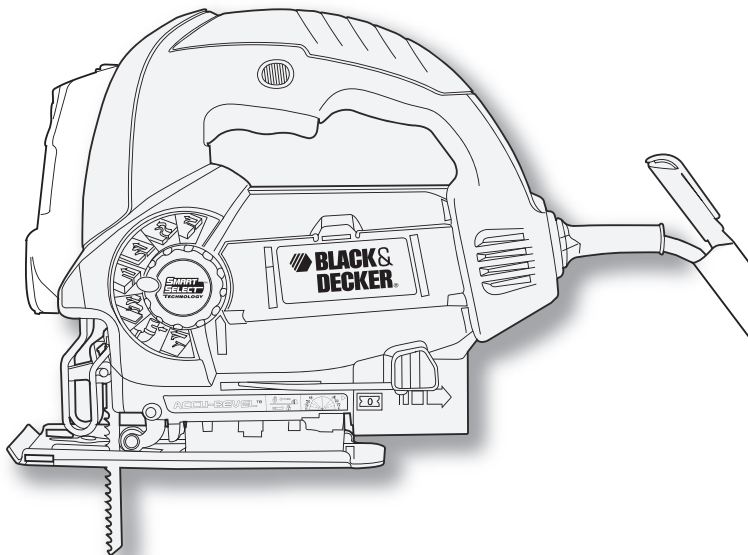




LINEFINDER™ Orbital Jigsaw

INSTRUCTION MANUAL

Catalog
Number
JS670V



Thank you for choosing Black & Decker! Go to www.BlackandDecker.com/NewOwner to register your new product.

PLEASE READ BEFORE RETURNING THIS PRODUCT FOR ANY REASON:

If you have a question or experience a problem with your Black & Decker purchase, go to

WWW.BLACKANDDECKER.COM/INSTANTANSWERS
for instant answers 24 hours a day.

If you can't find the answer or do not have access to the internet, call 1-800-544-6986 from 8 a.m. to 5 p.m. EST Mon. - Fri to speak with an agent.

Please have the catalog number available when you call.

SAVE THIS MANUAL FOR FUTURE REFERENCE.

VEA EL ESPAÑOL EN LA CONTRAPORTADA.

POUR LE FRANÇAIS, VOIR LA COUVERTURE ARRIÈRE.

INSTRUCTIVO DE OPERACIÓN, CENTROS DE SERVICIO Y PÓLIZA DE GARANTÍA.
ADVERTENCIA: LÉASE ESTE INSTRUCTIVO ANTES DE USAR EL PRODUCTO.

SAFETY GUIDELINES - DEFINITIONS

It is important for you to read and understand this manual. The information it contains relates to protecting YOUR SAFETY and PREVENTING PROBLEMS. The symbols below are used to help you recognize this information.

⚠ DANGER: Indicates an imminently hazardous situation which, if not avoided, will result in death or serious injury.

⚠ WARNING: Indicates a potentially hazardous situation which, if not avoided, could result in death or serious injury.

⚠ CAUTION: Indicates a potentially hazardous situation which, if not avoided, may result in minor or moderate injury.

NOTICE: Used without the safety alert symbol indicates potentially hazardous situation which, if not avoided, may result in property damage.

General Safety Rules

⚠ WARNING: Read all safety warnings and all instructions.
Failure to follow the warnings and instructions may result in electric shock, fire and/or serious injury.

SAVE ALL WARNINGS AND INSTRUCTIONS FOR FUTURE REFERENCE
The term "power tool" in the warnings refers to your mains-operated (corded) power tool or battery-operated (cordless) power tool.

1) WORK AREA SAFETY

- a) **Keep work area clean and well lit.** *Cluttered or dark areas invite accidents.*
- b) **Do not operate power tools in explosive atmospheres, such as in the presence of flammable liquids, gases or dust.** *Power tools create sparks which may ignite the dust or fumes.*
- c) **Keep children and bystanders away while operating a power tool.** *Distractions can cause you to lose control.*

2) ELECTRICAL SAFETY

- a) **Power tool plugs must match the outlet. Never modify the plug in any way. Do not use any adapter plugs with earthed (grounded) power tools.** *Unmodified plugs and matching outlets will reduce risk of electric shock.*
- b) **Avoid body contact with earthed or grounded surfaces such as pipes, radiators, ranges and refrigerators.** *There is an increased risk of electric shock if your body is earthed or grounded.*
- c) **Do not expose power tools to rain or wet conditions.** *Water entering a power tool will increase the risk of electric shock.*
- d) **Do not abuse the cord. Never use the cord for carrying, pulling or unplugging the power tool. Keep cord away from heat, oil, sharp edges or moving parts.** *Damaged or entangled cords increase the risk of electric shock.*
- e) **When operating a power tool outdoors, use an extension cord suitable for outdoor use.** *Use of a cord suitable for outdoor use reduces the risk of electric shock.*
- f) **If operating a power tool in a damp location is unavoidable, use a ground fault circuit interrupter (GFCI) protected supply.** *Use of a GFCI reduces the risk of electric shock.*

3) PERSONAL SAFETY

- a) **Stay alert, watch what you are doing and use common sense when operating a power tool. Do not use a power tool while you are tired or under the influence of drugs, alcohol or medication.** *A moment of inattention while operating power tools may result in serious personal injury.*
- b) **Use personal protective equipment. Always wear eye protection.** *Protective equipment such as dust mask, nonskid safety shoes, hard hat, or hearing protection used for appropriate conditions will reduce personal injuries.*
- c) **Prevent unintentional starting. Ensure the switch is in the off position before connecting to power source and/ or battery pack, picking up or carrying the tool.** *Carrying power tools with your finger on the switch or energizing power tools that have the switch on invites accidents.*

- d) **Remove any adjusting key or wrench before turning the power tool on.** *A wrench or a key left attached to a rotating part of the power tool may result in personal injury.*
 - e) **Do not overreach. Keep proper footing and balance at all times.** *This enables better control of the power tool in unexpected situations.*
 - f) **Dress properly. Do not wear loose clothing or jewelry. Keep your hair, clothing and gloves away from moving parts.** *Loose clothes, jewelry or long hair can be caught in moving parts.*
 - g) **If devices are provided for the connection of dust extraction and collection facilities, ensure these are connected and properly used.** *Use of dust collection can reduce dust-related hazards.*
- 4) POWER TOOL USE AND CARE**
- a) **Do not force the power tool. Use the correct power tool for your application.** *The correct power tool will do the job better and safer at the rate for which it was designed.*
 - b) **Do not use the power tool if the switch does not turn it on and off.** *Any power tool that cannot be controlled with the switch is dangerous and must be repaired.*
 - c) **Disconnect the plug from the power source and/or the battery pack from the power tool before making any adjustments, changing accessories, or storing power tools.** *Such preventive safety measures reduce the risk of starting the power tool accidentally.*
 - d) **Store idle power tools out of the reach of children and do not allow persons unfamiliar with the power tool or these instructions to operate the power tool.** *Power tools are dangerous in the hands of untrained users.*
 - e) **Maintain power tools. Check for misalignment or binding of moving parts, breakage of parts and any other condition that may affect the power tool's operation. If damaged, have the power tool repaired before use.** *Many accidents are caused by poorly maintained power tools.*
 - f) **Keep cutting tools sharp and clean.** *Properly maintained cutting tools with sharp cutting edges are less likely to bind and are easier to control.*
 - g) **Use the power tool, accessories and tool bits, etc. in accordance with these instructions, taking into account the working conditions and the work to be performed.** *Use of the power tool for operations different from those intended could result in a hazardous situation.*
- 5) SERVICE**
- a) **Have your power tool serviced by a qualified repair person using only identical replacement parts.** *This will ensure that the safety of the power tool is maintained.*

SPECIFIC SAFETY RULES

- **Hold power tools by insulated gripping surfaces when performing an operation where the cutting tool may contact hidden wiring or its own cord.** Contact with a "live" wire will make exposed metal parts of the tool "live" and shock the operator.
- **Use clamps or another practical way to secure and support the work piece to a stable platform.** Holding the work by hand or against your body leaves it unstable and may lead to loss of control.
- **Keep hands away from cutting area.** Never reach underneath the material for any reason. Hold front of saw by grasping the contoured gripping area. Do not insert fingers or thumb into the vicinity of the reciprocating blade and blade clamp. Do not stabilize the saw by gripping the shoe.
- **Keep blades sharp.** Dull blades may cause the saw to swerve or stall under pressure.
- **When cutting pipe or conduit ensure that they are free from water, electrical wiring, etc.**
- **Allow the motor to come to a complete stop before withdrawing the blade from the kerf (the slot created by cutting).** A moving blade may impact the workpiece causing a broken blade, workpiece damage or loss of control and possible personal injury.
- **Never hold work in your hand, lap or against parts of your body when sawing.** The saw may slip and the blade could contact the body causing injury.
- **Keep handles dry, clean, free from oil and grease.** This will enable better control of the tool.
- **Clean out your tool often, especially after heavy use.** Dust and grit containing metal particles often accumulate on interior surfaces and could create an electric shock hazard.

- **Do not operate this tool for long periods of time.** Vibration caused by the operating action of this tool may cause permanent injury to fingers, hands, and arms. Use gloves to provide extra cushion, take frequent rest periods, and limit daily time of use.
- ⚠ **WARNING:** Do not cut fiber cement siding, cement backer board or other concrete and masonry materials.

⚠ **CAUTION: To reduce the risk of eye injury while using the UV light:**

- Do not point UV light at bystanders.
- Turn off UV light when changing blade.
- Do not use UV light as a flash light.
- Do not stare into UV light
- Jig saw should not be used by any photo sensitive individual or any individual who has been subjected to a photo sensitive agent. (eg. Like during eye exam)
- Use extra caution when cutting concave reflective work pieces to prevent incidental UV light reflection towards your eyes or the eyes of bystanders.

⚠ **WARNING: Some dust created by power sanding, sawing, grinding, drilling, and other construction activities contains chemicals known to the State of California to cause cancer, birth defects or other reproductive harm. Some examples of these chemicals are:**

- lead from lead-based paints,
- crystalline silica from bricks and cement and other masonry products, and
- arsenic and chromium from chemically-treated lumber.

Your risk from these exposures varies, depending on how often you do this type of work. To reduce your exposure to these chemicals: work in a well ventilated area, and work with approved safety equipment, such as those dust masks that are specially designed to filter out microscopic particles.

- **Avoid prolonged contact with dust from power sanding, sawing, grinding, drilling, and other construction activities. Wear protective clothing and wash exposed areas with soap and water.** Allowing dust to get into your mouth, eyes, or lay on the skin may promote absorption of harmful chemicals.

⚠ **WARNING: Use of this tool can generate and/or disperse dust, which may cause serious and permanent respiratory or other injury.** Always use NIOSH/OSHA approved respiratory protection appropriate for the dust exposure. Direct particles away from face and body.

⚠ **CAUTION: Wear appropriate hearing protection during use.** Under some conditions and duration of use, noise from this product may contribute to hearing loss.

⚠ **WARNING: ALWAYS use safety glasses. Everyday eye glasses are NOT safety glasses. Also use face or dust mask if cutting operation is dusty. ALWAYS WEAR CERTIFIED SAFETY EQUIPMENT:**

- ANSI Z87.1 eye protection (CAN/CSA Z94.3)
- ANSI S12.6 (S3.19) hearing protection
- NIOSH/OSHA/MSHA respiratory protection

SYMBOLS

The label on your tool may include the following symbols.

V..... volts	A..... amperes
Hz..... hertz	W..... watts
min..... minutes	~alternating current
== direct current	n ₀ no load speed
□ Class II Construction	⊕ earthing terminal
⚠..... safety alert symbol	.../minrevolutions or reciprocations per minute

USE OF EXTENSION CORDS

Make sure the extension cord is in good condition before using. Always use the proper size extension cords with the tool – that is, proper wire size for various lengths of cord and heavy enough to carry the current the tool will draw. Use of an undersized cord will cause a drop in line voltage resulting in loss of power and overheating. For proper size cords see chart below.

Volts	Minimum Gauge for Cord Sets				
	Total Length of Cord in Feet				
120V	0-25	26-50	51-100	101-150	
	(0-7,6m)	(7,6-15,2m)	(15,2-30,4m)	(30,4-45,7m)	
240V	0-50	51-100	101-200	201-300	
	(0-15,2m)	(15,2-30,4m)	(30,4-60,9m)	(60,9-91,4m)	
Ampere Rating		American Wire Gauge			
More Than	Not more Than				
0 -	6	18	16	16	14
6 -	10	18	16	14	12
10 -	12	16	16	14	12
12 -	16	14	12	Not Recommended	

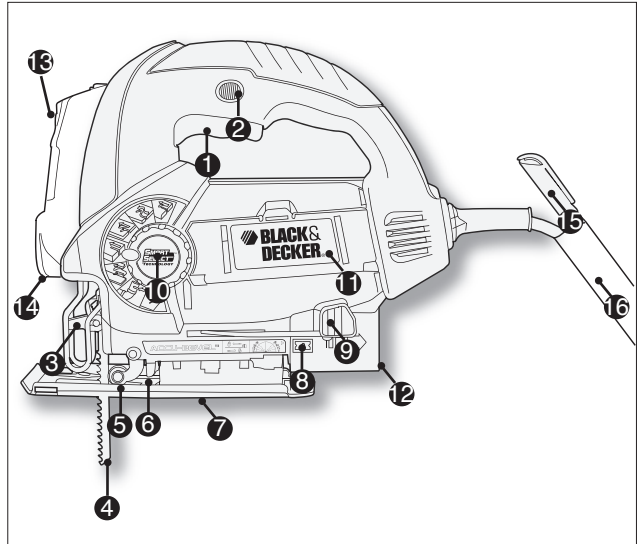
MOTOR

Be sure your power supply agrees with nameplate marking. 120 Volts AC only means your tool will operate on standard 60 Hz household power. Do not operate AC tools on DC. A rating of 120 volts AC/DC means that you tool will operate on standard 60 Hz AC or DC power. This information is printed on the nameplate. Lower voltage will cause loss of power and can result in over-heating. All Black & Decker tools are factory-tested; if this tool does not operate, check the power supply.

SAVE THESE INSTRUCTIONS

Functional Description

1. Variable speed switch
2. Lock-on button
3. Saw blade locking lever
4. Saw blade
5. Saw blade support roller
6. Dust blower
7. Shoe plate
8. Bevel angle window
9. Shoe plate beveling lever
10. "Smart Select™" knob
11. Saw blade storage compartment
12. Dust extraction port
13. UV light On/Off button
14. UV light
15. Highlighter marking pen
16. Pen storage

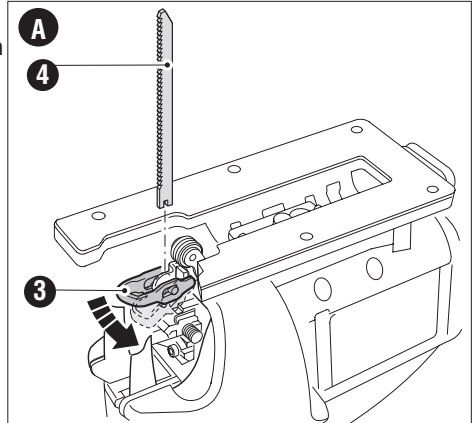


OPERATION

⚠ WARNING: Before attempting any of the following operations, make sure that the tool is switched off and unplugged and that the saw blade has stopped. Used saw blades can be hot.

Blade Installation (fig. A)

- Hold the saw blade (4) as shown, with teeth facing forward.
- Push the saw blade locking lever (3) downward.
- Insert the shank of the saw blade into the blade holder as far as it will go.
- Release the lever.
- Check to ensure blade is secure before cutting.



Adjusting the shoe plate for bevel cuts (fig. B)

⚠ WARNING: Never use the tool when the saw shoe is loose or removed.

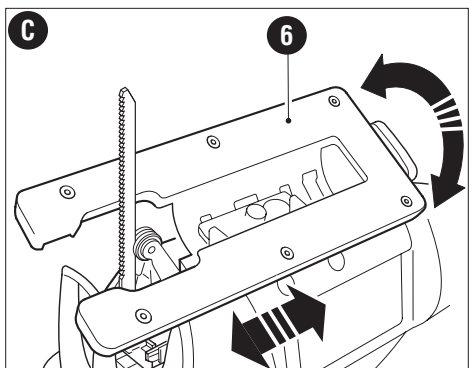
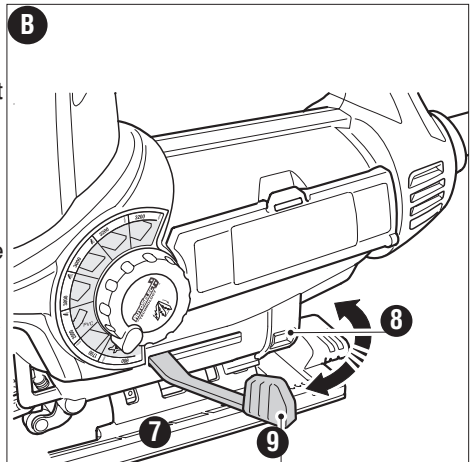
The shoe plate can be set to a left or right bevel angle of up to 45°.

To set the bevel angle:

- Pull the shoe plate beveling lever (9) out away from the saw to unlock the shoe plate (7) as shown in **figure B**.
- Slide the shoe plate (7) forward to release it from the 0° positive stop position.
- The shoe can be beveled to the left or to the right and has detents at 15°, 30° and 45° (**figure C**).
- Set the plate to the desired bevel angle.
- As you set the shoe angle the amount of degrees can be read through the bevel angle window (8).
- Push the shoe plate beveling lever (9) back towards the saw to lock the shoe plate (7).

To reset the shoe plate for straight cuts:

- Pull the shoe plate beveling lever (9) out away from the saw to unlock the shoe plate (7) as shown in **figure B**.
- Rotate shoe plate to an angle of approximately 0° and then pull shoe plate backwards to engage the 0° positive stop.
- Push the shoe plate beveling lever (9) back towards the saw to lock the shoe plate (7).



SMART SELECT™ CUTTING CHART



Smart Select Setting	Rec. Cutting Speed	Recommended Blade Type	Teeth per Inch	Orbit
Counter Tops, Laminate Board (No orbit)	Fast	General Wood	10-12 Down Cutting Blade	No orbit
Scrolling / Curves, Craftwork	Fast	Scrolling Wood	10-12	Low orbit
Plywood, Wood Panels	Fast	General Wood	10-12	Med. orbit
General Lumber, Softwood	Med/Fast	General Wood	6	Max. orbit
Hardwood, Decking, Flooring	Medium	General Wood	6	Med. orbit
Plastic, Plexiglass, PVC	Medium	General Purpose / Wood	10-12	Low Orbit
Sheet Metal, Tin Plate, Ceramic Tile, Fiberglass Sheet	Slow/Med	Metal Blade Ceramic / Fiberglass	14-24	No orbit

Switching on and off

- To switch the tool on, press the variable speed switch (1).
- For continuous operation, press the variable speed switch (1), press the lock-on button (2) and release the variable speed switch.
- To switch the tool off, release the variable speed switch. To switch the tool off, when in continuous operation, press the variable speed switch once more and release it.

Variable Speed Control

Variable speed is controlled through the variable speed switch (1). The tool speed depends on how far you depress the switch. For best results, start your cut by gently squeezing the trigger (slow speed) and gradually speed up (squeeze trigger more) as you move through your cut.

Setting the desired cutting mode (Smart Select)(fig. D)

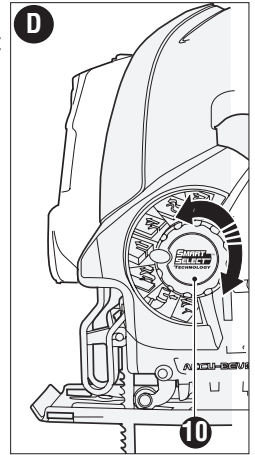
To select the proper orbital action for the type of material that you are cutting, follow the steps below:

Step 1 - Turn the dial (10) as shown in **figure D** to the appropriate icon. Refer to the chart on page 7 for descriptions of the 7 different positions.

Step 2 - Insert the proper blade based on the chart mentioned above.

Step 3 - Perform the cut.

NOTE: These settings are initial recommendations. Your application may work best with different settings. Test these positions on similar material prior to making finished cut and adjust selections for desired results.



Blade storage (fig.E)

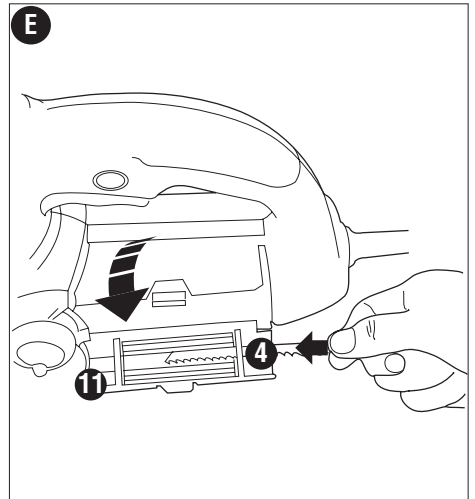
A blade storage compartment (11) is built-in to the side of the saw.

To open the storage door:

- Grasp the tab at the top of the door and pull outward.

The blades slide in and out of the compartment.

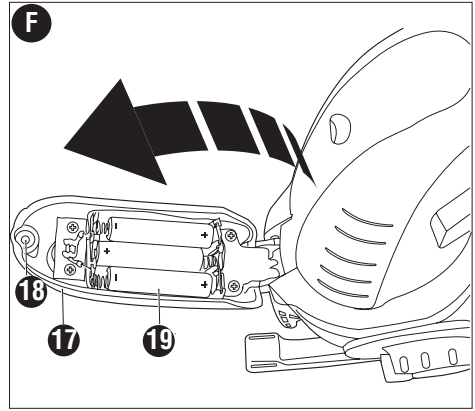
⚠ **CAUTION:** Close door securely before operating saw.



Operating the UV Module (figure F, G & H)

Installing the batteries (figure F)

- Pivot the UV module door (17) away from the jig saw by removing the screw (18) and pulling the door forward.
- Insert three new 1.5 Volt AAA alkaline batteries (19), making sure to match the (+) and (-) terminals correctly.
- Close the UV module door and replace the screw.

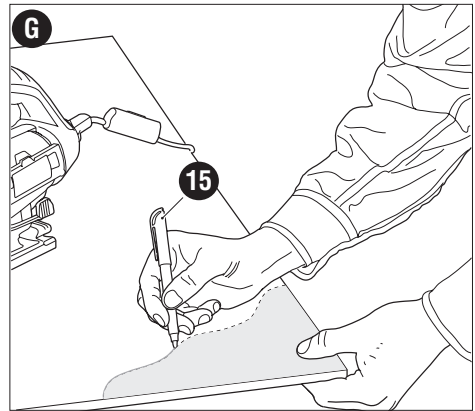


Using the UV light (figure G & H)

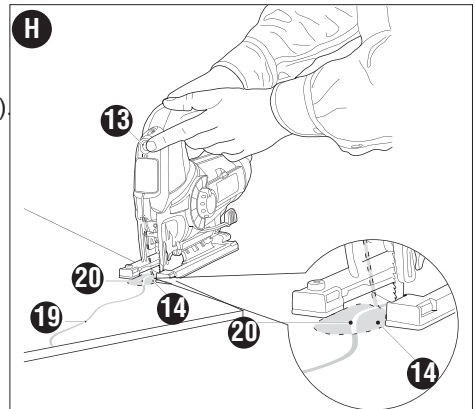
The UV module projects a UV light which illuminates a highlighter line drawn on the surface of the workpiece.

To use the UV light:

- Mark your intended cutting line using the highlighter marking pen (15) as shown in figure G.



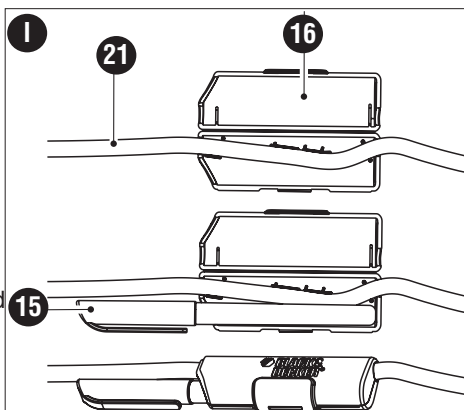
- Switch the UV light (14) on by pressing the button (13).
- To switch the UV light (14) off, press the button (13) again.
- Position the jig saw over the cutting line (19). Viewing from directly above the jig saw, the line of cut will be illuminated (20) by the UV light (14) and can be easily followed.



Highlighter Pen Storage (figure I)

- The highlighter marking pen (15) stores in the pen holder (16).
- The pen holder (16) can be opened and attached anywhere on the cord (21) as shown in **figure I**.
- To move the pen holder, unlock the hinge and open the holder.
- Remove from cord and place anywhere up or down the cord.

NOTE: Should you need to replace the highlighter marking pen (15) it can be replaced with a standard yellow highlighter found at office supply stores (fine tip recommended).



Connecting a vacuum cleaner to the tool

A hose adaptor (not supplied) is available at extra cost through your nearest Black & Decker service center. Insert the hose adaptor into the opening at the back of the saw. Connect a vacuum cleaner hose (not supplied) to the hose adaptor.

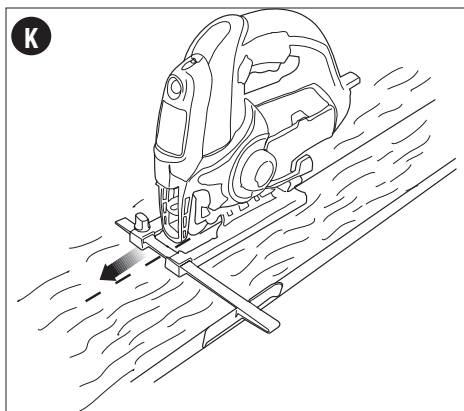
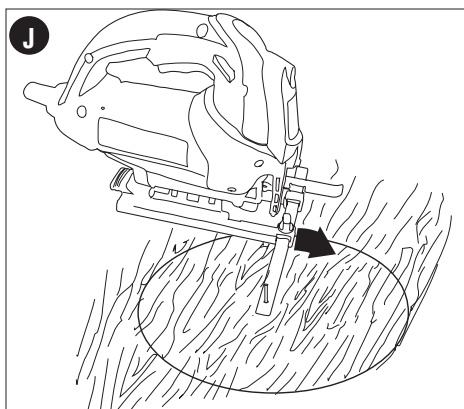
Rip & Circle Cutting

Ripping and circle cutting without a pencil line are easily done with the rip fence and circle guide (available at extra cost).

Using the screw supplied with the accessory guide, position as shown in **figure J** and thread the screw into the shoe to clamp the fence securely.

When circle cutting, adjust rip fence so that distance from blade to hole in cross bar is at the desired radius and tighten screw. Place saw so that hole in cross bar is over center of circle to be cut (drill hole for blade or cut inward from edge of material to get blade into position). When saw is properly positioned, drive a small nail through hole in cross bar. Using rip fence as a pivot arm, begin cutting circle. For circle cutting, the cross bar should be up, as shown in **figure J**.

When ripping, slide the rip fence under the screw from either side of the saw. Set the cross bar at desired distance from blade and tighten screw. For ripping, the cross bar should be down and against the straight edge of the workpiece as shown in **figure K**.



HINTS FOR OPTIMUM USE

Sawing laminates

As the saw blade cuts on the upward stroke, splintering may occur on the surface closest to the shoe plate.

- Use a fine-tooth saw blade.
- Saw from the back surface of the workpiece.
- To minimize splintering, clamp a piece of scrap wood or hardboard to both sides of the workpiece and saw through this sandwich.

Sawing metal

- Be aware that sawing metal takes much more time than sawing wood.
- Use a saw blade suitable for sawing metal.
- When cutting thin metal, clamp a piece of scrap wood to the back surface of the workpiece and cut through this sandwich.
- Spread a film of oil along the intended line of cut for easier operation and longer blade life. For cutting aluminum, kerosene is preferred.

⚠ WARNING: Fire Hazard. Do not use vacuum adapter when cutting metal. Metal filings will be hot and may cause a fire.

TROUBLESHOOTING

Problem	Possible Cause	Possible Solution
<ul style="list-style-type: none"> • Unit will not start. 	<ul style="list-style-type: none"> • Cord not plugged in. • Circuit fuse is blown. • Circuit breaker is tripped. • Cord or switch is damaged. 	<ul style="list-style-type: none"> • Plug tool into a working outlet. • Replace circuit fuse. (If the product repeatedly causes the circuit fuse to blow, discontinue use immediately and have it serviced at a Black & Decker service center or authorized servicer.) • Reset circuit breaker. (If the product repeatedly causes the circuit breaker to trip, discontinue use immediately and have it serviced at a Black & Decker service center or authorized servicer.) • Have cord or switch replaced at Black & Decker Service Center or Authorized Servicer.
<ul style="list-style-type: none"> • Shoe plate is loose. 	<ul style="list-style-type: none"> • Retaining screw loose. 	<ul style="list-style-type: none"> • Loosen the screw closest to the blade on the underside of the shoe plate. Tighten the screw farthest from the blade by turning counterclockwise (left hand thread) Reminder: The bevel lever must be in the closed position. Tighten the screw closest to the blade.
<ul style="list-style-type: none"> • UV light will not come on. 	<ul style="list-style-type: none"> • Batteries weak. • Batteries inserted incorrectly. 	<ul style="list-style-type: none"> • Replace batteries. Reinsert batteries making sure they match the (+) and (-) terminals.

For assistance with your product, visit our website www.blackanddecker.com for the location of the service center nearest you or call the BLACK & DECKER help line at **1-800-544-6986**.

MAINTENANCE

Use only mild soap and damp cloth to clean the tool. Never let any liquid get inside the tool; never immerse any part of the tool into a liquid.

IMPORTANT: To assure product SAFETY and RELIABILITY, repairs, maintenance and adjustment should be performed by authorized service centers or other qualified service personnel, always using identical replacement parts.

ACCESSORIES

Recommended accessories for use with your tool are available from your local dealer or authorized service center. If you need assistance regarding accessories, please call:

1-800-544-6986.

⚠ WARNING: The use of any accessory not recommended for use with this tool could be hazardous.

SERVICE INFORMATION

All Black & Decker Service Centers are staffed with trained personnel to provide customers with efficient and reliable power tool service. Whether you need technical advice, repair, or genuine factory replacement parts, contact the Black & Decker location nearest you. To find your local service location, refer to the yellow page directory under "Tools—Electric" or call: **1-800-544-6986** or visit **www.blackanddecker.com**

FULL TWO-YEAR HOME USE WARRANTY

Black & Decker (U.S.) Inc. warrants this product for two years against any defects in material or workmanship. The defective product will be replaced or repaired at no charge in either of two ways.

The first, which will result in exchanges only, is to return the product to the retailer from whom it was purchased (provided that the store is a participating retailer). Returns should be made within the time period of the retailer's policy for exchanges (usually 30 to 90 days after the sale). Proof of purchase may be required. Please check with the retailer for their specific return policy regarding returns that are beyond the time set for exchanges.

The second option is to take or send the product (prepaid) to a Black & Decker owned or authorized Service Center for repair or replacement at our option. Proof of purchase may be required. Black & Decker owned and authorized Service Centers are listed under "Tools-Electric" in the yellow pages of the phone directory.

This warranty does not apply to accessories. This warranty gives you specific legal rights and you may have other rights which vary from state to state or province to province. Should you have any questions, contact the manager of your nearest Black & Decker Service Center. This product is not intended for commercial use.

LATIN AMERICA: This warranty does not apply to products sold in Latin America. For products sold in Latin America, check country specific warranty information contained in the packaging, call the local company or see the website for warranty information.

FREE WARNING LABEL REPLACEMENT: If your warning labels become illegible or are missing, call **1-800-544-6986** for a free replacement.

Black & Decker (U.S.)
Inc.,
701 E. Joppa Rd.
Towson, MD 21286
U.S.A.



See 'Tools-
Electric'
– Yellow Pages –
for Service &
Sales

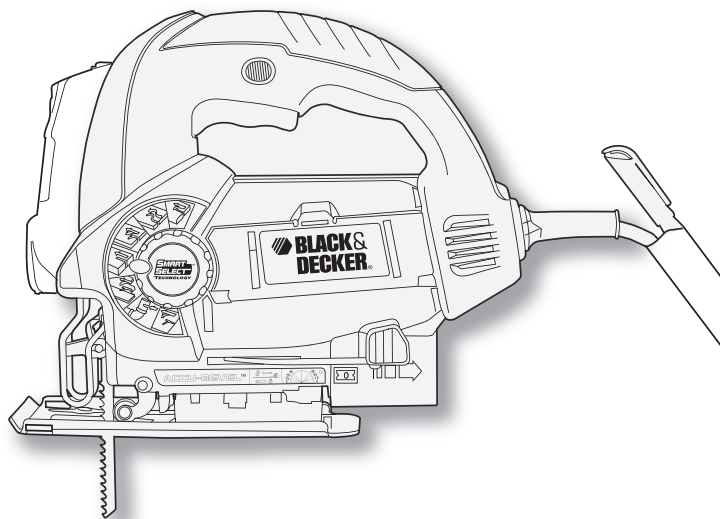


BLACK & DECKER®

SCIE SAUTEUSE À FONCTIONNEMENT ORBITAL
LINEFINDER™

MODE D'EMPLOI

N° de
catalogue
JS670V



**Merci d'avoir choisi Black & Decker!
Consulter le site Web [www.BlackandDecker.com/
NewOwner](http://www.BlackandDecker.com/NewOwner)
pour enregistrer votre nouveau produit.**

À LIRE AVANT DE RETOURNER CE PRODUIT POUR QUELQUE RAISON QUE CE SOIT :

Si des questions ou des problèmes surgissent après l'achat d'un produit Black & Decker,
consulter le site Web

[HTTP://WWW.BLACKANDECKER.COM/INSTANTANSWERS](http://www.blackanddecker.com/instantanswers)

pour obtenir des réponses instantanément 24 heures par jour.

Si la réponse est introuvable ou en l'absence d'accès à l'Internet, composer le
1 800 544-6986 de 8 h à 17 h HNE, du lundi au vendredi, pour parler avec un agent.

Prière d'avoir le numéro de catalogue sous la main lors de l'appel.

CONSERVER CE MANUEL POUR UN USAGE ULTÉRIEUR.

LIGNES DIRECTRICES EN MATIÈRE DE SÉCURITÉ - DÉFINITIONS

Il est important que vous lisiez et compreniez ce mode d'emploi. Les informations qu'il contient concernent VOTRE SÉCURITÉ et visent à ÉVITER TOUT PROBLÈME. Les symboles ci-dessous servent à vous aider à reconnaître cette information.

⚠ DANGER : Indique une situation dangereuse imminente qui, si elle n'est pas évitée, causera la mort ou des graves blessures.

⚠ AVERTISSEMENT : Indique une situation potentiellement dangereuse qui, si elle n'est pas évitée, pourrait causer la mort ou de graves blessures.

⚠ MISE EN GARDE : Indique une situation potentiellement dangereuse qui, si elle n'est pas évitée, pourrait causer des blessures mineures ou modérées.

AVIS : Utilisé sans le symbole d'alerte à la sécurité, indique une situation potentiellement dangereuse qui, si elle n'est pas évitée, peut résulter en des dommages à la propriété.

Avertissements de sécurité généraux pour les outils électriques

⚠ AVERTISSEMENT Lire tous les avertissements de sécurité et toutes les directives. Le non-respect des avertissements et des directives pourrait se solder par un choc électrique, un incendie et/ou une blessure grave.

Conserver tous les avertissements et toutes les directives pour un usage ultérieur.

Le terme «outil électrique» cité dans les avertissements se rapporte à votre outil électrique à alimentation sur secteur (avec fil) ou par piles (sans fil).

1) Sécurité du lieu de travail

- a) **Tenir la zone de travail propre et bien éclairée.** *Les endroits sombres sont souvent des causes d'accidents.*
- b) **Ne pas faire fonctionner d'outils électriques dans un milieu déflagrant, soit en présence de liquides inflammables, de gaz ou de poussière.** *Les outils électriques produisent des étincelles qui peuvent enflammer la poussière ou les vapeurs.*
- c) **Éloigner les enfants et les curieux au moment d'utiliser un outil électrique.** *Une distraction pourrait vous en faire perdre la maîtrise.*

2) Sécurité en matière d'électricité

- a) **Les fiches des outils électriques doivent correspondre à la prise. Ne jamais modifier la fiche en aucune façon. Ne jamais utiliser de fiche d'adaptation avec un outil électrique mis à la terre. Le risque de choc électrique sera réduit par l'utilisation de fiches non modifiées correspondant à la prise.**
- b) **Éviter tout contact physique avec des surfaces mises à la terre comme des tuyaux, des radiateurs, des cuisinières et des réfrigérateurs.** *Le risque de choc électrique est plus élevé si votre corps est mis à la terre.*
- c) **Ne pas exposer les outils électriques à la pluie ou à d'autres conditions où il pourrait être mouillé.** *La pénétration de l'eau dans un outil électrique augmente le risque de choc électrique.*
- d) **Ne pas utiliser abusivement le cordon d'alimentation. Ne jamais utiliser le cordon pour transporter, tirer ou débrancher un outil électrique. Tenir le cordon éloigné de la chaleur, de l'huile, des bords tranchants ou des pièces mobiles. Les cordons endommagés ou emmêlés augmentent les risques de choc électrique.**
- e) **Pour l'utilisation d'un outil électrique à l'extérieur, se servir d'une rallonge convenant à une telle utilisation.** *L'utilisation d'une rallonge conçue pour l'extérieur réduit les risques de choc électrique.*
- f) **S'il est impossible d'éviter l'utilisation d'un outil électrique dans un endroit humide, brancher l'outil dans une prise ou sur un circuit d'alimentation dotés d'un disjoncteur de fuite à la terre (GFCI).** *L'utilisation de ce type de disjoncteur réduit les risques de choc électrique.*

3) Sécurité personnelle

- a) **Être vigilant, surveiller le travail effectué et faire preuve de jugement lorsqu'un outil électrique est utilisé. Ne pas utiliser d'outil électrique en cas de fatigue ou sous l'influence de drogues, d'alcool ou de médicaments.** *Un simple moment d'inattention en utilisant un outil électrique peut entraîner des blessures corporelles graves.*

- b) **Utiliser des équipements de protection individuelle. Toujours porter une protection oculaire.** *L'utilisation d'équipements de protection comme un masque antipoussière, des chaussures antidérapantes, un casque de sécurité ou des protecteurs auditifs lorsque la situation le requiert réduira les risques de blessures corporelles.*
 - c) **Empêcher les démarrages intempestifs. S'assurer que l'interrupteur se trouve à la position d'arrêt avant de relier l'outil à une source d'alimentation et/ou d'insérer un bloc-piles, de ramasser ou de transporter l'outil.** *Transporter un outil électrique alors que le doigt repose sur l'interrupteur ou brancher un outil électrique dont l'interrupteur est à la position de marche risque de provoquer un accident.*
 - d) **Retirer toute clé de réglage ou clé standard avant de démarrer l'outil.** *Une clé standard ou une clé de réglage attachée à une partie pivotante peut causer des blessures.*
 - e) **Ne pas trop tendre les bras. Conserver son équilibre en tout temps.** *Cela permet de mieux maîtriser l'outil électrique dans les situations imprévues.*
 - f) **S'habiller de manière appropriée. Ne pas porter de vêtements amples ni de bijoux. Garder les cheveux, les vêtements et les gants à l'écart des pièces mobiles.** *Les vêtements amples, les bijoux ou les cheveux longs risquent de rester coincés dans les pièces mobiles.*
 - g) **Si des composants sont fournis pour le raccordement de dispositifs de dépoussiérage et de ramassage, s'assurer que ceux-ci sont bien raccordés et utilisés.** *L'utilisation d'un dispositif de dépoussiérage peut réduire les dangers engendrés par les poussières.*
- 4) **Utilisation et entretien d'un outil électrique**
- a) **Ne pas forcer un outil électrique. Utiliser l'outil électrique approprié à l'application.** *L'outil électrique approprié effectuera un meilleur travail, de façon plus sûre et à la vitesse pour laquelle il a été conçu.*
 - b) **Ne pas utiliser un outil électrique dont l'interrupteur est défectueux.** *Tout outil électrique dont l'interrupteur est défectueux est dangereux et doit être réparé.*
 - c) **Débrancher la fiche du secteur ou le bloc-piles de l'outil électrique avant de faire tout réglage ou changement d'accessoire, ou avant de ranger l'outil électrique.** *Ces mesures préventives réduisent les risques de démarrage accidentel de l'outil électrique.*
 - d) **Ranger les outils électriques hors de la portée des enfants, et ne permettre à aucune personne n'étant pas familière avec un outil électrique (ou son manuel d'instruction) d'utiliser ce dernier.** *Les outils électriques deviennent dangereux entre les mains d'utilisateurs inexpérimentés.*
 - e) **Entretien des outils électriques. Vérifier les pièces mobiles pour s'assurer qu'elles sont bien alignées et tournent librement, qu'elles sont en bon état et ne sont affectées par aucun trouble susceptible de nuire au bon fonctionnement de l'outil électrique. En cas de dommage, faire réparer l'outil électrique avant toute nouvelle utilisation.** *Beaucoup d'accidents sont causés par des outils électriques mal entretenus.*
 - f) **S'assurer que les outils de coupe sont aiguisés et propres.** *Les outils de coupe bien entretenus et affûtés sont moins susceptibles de se coincer et sont plus faciles à contrôler.*
 - g) **Utiliser l'outil électrique, les accessoires, les forets, etc. conformément aux présentes directives en tenant compte des conditions de travail et du travail à effectuer.** *L'utilisation d'un outil électrique pour toute opération autre que celle pour laquelle il a été conçu est dangereuse.*
- 5) **Réparation**
- a) **Faire réparer l'outil électrique par un réparateur professionnel en n'utilisant que des pièces de rechange identiques.** *Cela permettra de maintenir une utilisation sécuritaire de l'outil électrique.*

RÈGLES DE SÉCURITÉ SPÉCIFIQUES

- **Saisir l'outil électrique par ses surfaces de prises isolées lorsque l'outil peut entrer en contact avec des fils cachés ou son cordon.** En cas de contact avec un fil sous tension, les pièces métalliques de l'outil seront sous tension et l'utilisateur subira des secousses électriques.
 - **Utiliser des brides de fixation ou un autre dispositif de fixation permettant de fixer solidement et de soutenir la pièce sur une plateforme stable.** Tenir la pièce avec la main ou contre son corps la rend instable et risque de provoquer une perte de maîtrise de l'outil.
 - **Tenir les mains éloignées de la zone de découpe.** Ne jamais mettre la main sous le matériau pour quelque raison que ce soit. Tenir la partie avant de la scie par sa zone de prise profilée. Ne pas mettre les doigts ou le pouce à proximité de la scie alternative et du mécanisme de serrage de la lame. Ne pas stabiliser la scie en saisissant la semelle.
 - **Maintenir les lames affûtées.** Les lames émoussées peuvent faire zigzaguer la lame ou la bloquer sous la pression.
 - **Au moment de couper un tuyau ou un conduit,** s'assurer qu'ils sont exempts d'eau, de câblage électrique, etc.
 - **Attendre l'immobilisation complète du moteur avant de retirer la lame du trait de scie (la rainure créée par la lame en coupant).** En effet, une lame en mouvement risque de percuter la pièce et se briser, d'endommager la pièce ou de provoquer une perte de la maîtrise de l'outil, ce qui risquerait de provoquer des blessures corporelles.
 - **Ne jamais tenir la pièce dans les mains, sur les genoux ou contre toute partie du corps en cours de découpe.** La scie pourrait glisser et la lame pourrait atteindre le corps et provoquer des blessures.
 - **Maintenir les poignées sèches, propres, exemptes d'huile et de graisse.** Cela permet de mieux maîtriser l'outil.
 - **Nettoyer l'outil régulièrement, particulièrement après une utilisation intensive.** La poussière et les saletés contenant des particules métalliques s'accumulent souvent sur les surfaces internes de l'outil et pourraient créer un risque de choc électrique.
 - **Ne pas faire fonctionner cet outil durant de longues périodes.** Les vibrations causées par le fonctionnement de cet outil peuvent provoquer des blessures permanentes aux doigts, aux mains et aux bras. Utiliser des gants pour amortir davantage les vibrations, prendre de fréquentes périodes de repos et limiter la durée quotidienne d'utilisation.
- ⚠ **AVERTISSEMENT :** ne pas couper de parement en fibrociment, de planche d'appui en ciment ni d'autres matériaux en béton et en maçonnerie.

⚠ **MISE EN GARDE :** Pour réduire le risque de lésion oculaire à l'utilisation de la lampe UV :

- Ne pas pointer la lampe UV vers des personnes à proximité.
- Éteindre la lampe UV lors du changement de la lame.
- Ne pas utiliser la lampe UV comme lampe de poche.
- Ne pas fixer la lampe UV du regard.
- La scie sauteuse ne doit être utilisée par aucune personne sensible à la lumière ou ayant été traitée avec un agent photosensible (p. ex. lors d'un examen oculaire).
- Faire preuve de grande prudence lors de la coupe de pièces réfléchissantes concaves pour éviter que les rayons UV ne soient réfléchis par accident vers vos yeux ou les yeux des personnes à proximité.

⚠ **AVERTISSEMENT :** certains outils électriques, tels que les sableuses, les scies, les meules, les perceuses ou certains autres outils de construction, peuvent produire de la poussière contenant des produits chimiques reconnus par l'État de la Californie comme étant susceptibles d'entraîner le cancer, des malformations congénitales ou pouvant être nocifs pour le système reproductif. Parmi ces produits chimiques, on retrouve :

- le plomb dans les peintures à base de plomb,
- la silice cristalline dans les briques et le ciment et autres produits de maçonnerie,
- l'arsenic et le chrome dans le bois de sciage ayant subi un traitement chimique.

Le risque associé à de telles expositions varie selon la fréquence avec laquelle on effectue ces travaux. Pour réduire l'exposition à de tels produits, il faut travailler dans un endroit bien aéré et utiliser le matériel de sécurité approprié, tel un masque anti-poussières spécialement conçu pour filtrer les particules microscopiques.

- **Éviter tout contact prolongé avec la poussière soulevée par cet outil ou autres**

outils électriques. Porter des vêtements de protection et nettoyer les parties exposées du corps avec de l'eau savonneuse. S'assurer de bien se protéger afin d'éviter d'absorber par la bouche, les yeux ou la peau des produits chimiques nocifs.

⚠ AVERTISSEMENT : Cet outil peut produire et répandre de la poussière susceptible de causer des dommages sérieux et permanents au système respiratoire. Toujours utiliser un appareil respiratoire anti-poussières approuvé par le NIOSH ou l'OSHA. Diriger les particules dans le sens opposé du visage et du corps.

⚠ ATTENTION – Porter les protecteurs auditifs appropriés durant l'utilisation de l'outil. Dans certaines conditions et selon la durée d'utilisation, le bruit engendré par ce produit peut contribuer à la perte de l'ouïe.

⚠ AVERTISSEMENT : TOUJOURS porter des lunettes de sécurité. Les lunettes de vue ne constituent PAS des lunettes de sécurité. Utiliser également un masque facial ou anti-poussière si l'opération de découpe génère de la poussière. TOUJOURS PORTER UN ÉQUIPEMENT DE PROTECTION HOMOLOGUÉ :

- protection oculaire conforme à la norme ANSI Z87.1 (CAN/CSA Z94.3);
- protection auditive ANSI S12.6 (S3.19);
- protection des voies respiratoires conformes aux normes NIOSH/OSHA/MSHA.

SYMBOLES

L'étiquette de l'outil peut comporter les symboles suivants.

V	volts	A	ampères
Hz	hertz	W	watts
min	minutes	~	courant alternatif
==	courant continu	n _o	sous vide
☐	construction de classe II	⊕	borne de terre
⚠	symbole d'avertissement	.../min	tours ou courses à la minute

RALLONGES

S'assurer que la rallonge est en bon état. Lorsque qu'une rallonge électrique est utilisée, s'assurer d'en utiliser une de calibre suffisamment élevé pour assurer le transport du courant nécessaire au fonctionnement de votre appareil. Un cordon de calibre inférieur causera une chute de tension de ligne et donc une perte de puissance et une surchauffe. Le tableau indique le calibre approprié à utiliser selon la longueur du cordon et l'intensité nominale de la plaque signalétique.

Tension		Calibre minimal des cordons de rallonge			
		Longueur totale du cordon en pieds			
120V		0-25	26-50	51-100	101-150
		(0-7,6m)	(7,6-15,2m)	(15,2-30,4m)	(30,4-45,7m)
240V		0-50	51-100	101-200	201-300
		(0-15,2m)	(15,2-30,4m)	(30,4-60,9m)	(60,9-91,4m)
Intensité (A)		Calibre moyen des fils (AWG)			
Au moins	Au plus				
0 - 6		18	16	16	14
6 - 10		18	16	14	12
10 - 12		16	16	14	12
12 - 16		14	12	Non recommandé	

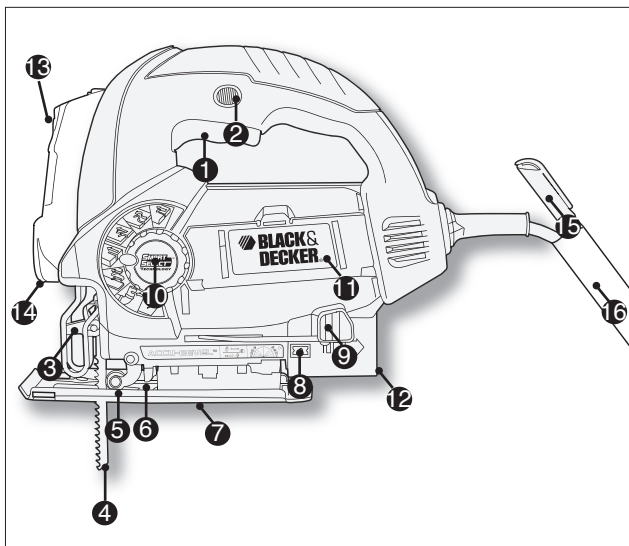
MOTEUR

S'assurer que l'intensité nominale du cordon d'alimentation corresponde à celle indiquée sur la plaque signalétique; sur cette dernière, la mention «120 V c.a.» signifie que l'outil ne doit être branché que dans une prise résidentielle standard de courant alternatif de 60 Hz et non pas dans une prise de courant continu, alors que «120 V c.a. / c.c.» signifie que l'outil peut fonctionner sur une prise standard de 60 Hz de courant alternatif ou continu. Une tension inférieure à celle indiquée pourrait entraîner une perte de puissance et une surchauffe. Tous les outils Black & Decker sont soumis à des essais en usine; si cet outil ne fonctionne pas, on doit d'abord vérifier l'intensité nominale du cordon d'alimentation.

CONSERVER CES DIRECTIVES

Description fonctionnelle

1. Détection à vitesse variable
2. Bouton de verrouillage
3. Levier de blocage de la lame de la scie
4. Lame de scie
5. Roulette d'appui de la lame de la scie
6. Dépoussiéreur
7. Plaque de la semelle
8. Fenêtre indicatrice d'angle de biseau
9. Levier de biseau de la plaque de la semelle
10. Bouton « Smart Select™ » (choix de coupe)
11. Compartiment de rangement pour lames
12. Port pour dépoussiéreur
13. Bouton marche/arrêt de la lampe UV
14. Lampe UV
15. Crayon marqueur
16. Rangement du crayon

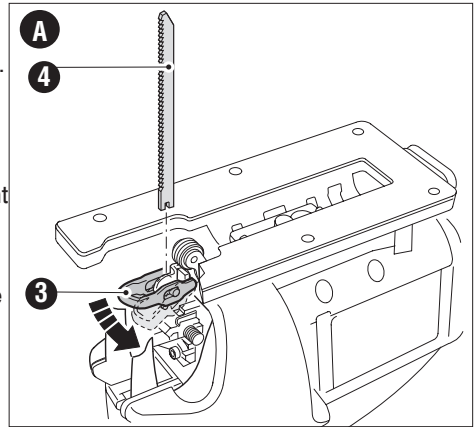


FONCTIONNEMENT

⚠ AVERTISSEMENT : avant d'essayer une des opérations suivantes, s'assurer que l'outil est éteint et débranché avec la lame immobile. Les lames de scies utilisées peuvent être chaudes.

Insertion de la lame (fig. A)

- Tenir la lame de scie (4) comme indiqué de manière à ce que les dents soient vers l'avant de l'outil.
- Pousser le levier de blocage de la lame de la scie (3) vers le bas.
- Insérer l'emmanchement de la lame dans le porte-lame aussi loin que possible.
- Relâcher le levier.
- S'assurer que la lame est fixe avant d'effectuer une coupe.



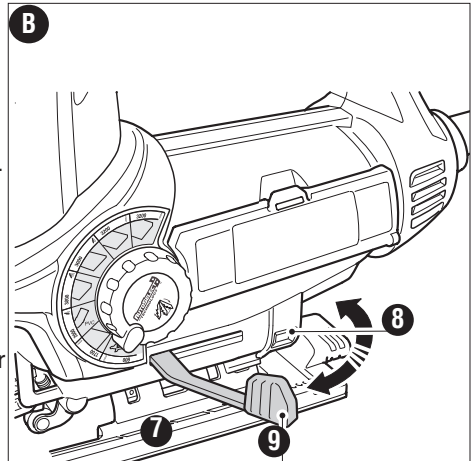
Réglage de la plaque de la semelle pour des coupes biseautées (fig. B)

⚠ AVERTISSEMENT : ne jamais utiliser la scie sans la semelle ou avec une semelle lâche.

La plaque de la semelle s'incline à gauche ou à droite pour une coupe en biseau jusqu'à 45°.

Réglage de l'angle de biseau :

- Éloigner le levier de biseau de la plaque de la semelle (9) de la scie pour débloquer la semelle de la scie (7) comme indiqué à la figure B.
- Coulisser la plaque de la semelle (7) vers l'avant pour la dégager de la butée fixe de 0°.
- Il est possible d'incliner la semelle vers la gauche ou la droite. Des crans sont positionnés à 15°, 30° et 45° comme indiqué à la figure C.
- Régler la semelle à l'angle de biseau voulu. Il est possible de consulter l'angle de la semelle par la fenêtre indicatrice d'angle de biseau (8). Utiliser un rapporteur d'angle pour vérifier la précision de l'angle.
- Relever le levier de biseau de la plaque de la semelle (9) de la scie pour bloquer la semelle de la scie (7) en position.



Pour régler la plaque de la semelle pour des coupes droites :

- Éloigner le levier de biseau de la plaque de la semelle (9) de la scie pour débloquer la semelle de la scie (7) comme indiqué à la figure B.
- Faire tourner la plaque de la semelle pour obtenir un angle d'environ zéro degré, puis la reculer pour enclencher la butée fixe de zéro degré.
- Relever le levier de biseau de la plaque de la semelle (9) de la scie pour bloquer la semelle de la scie (7) en position.

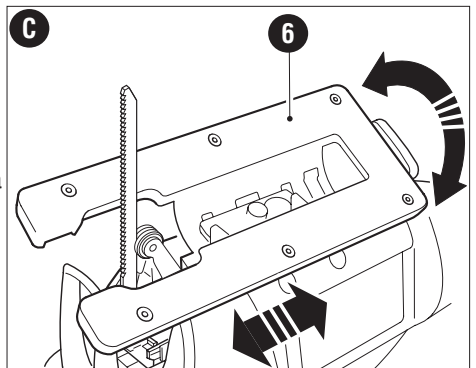
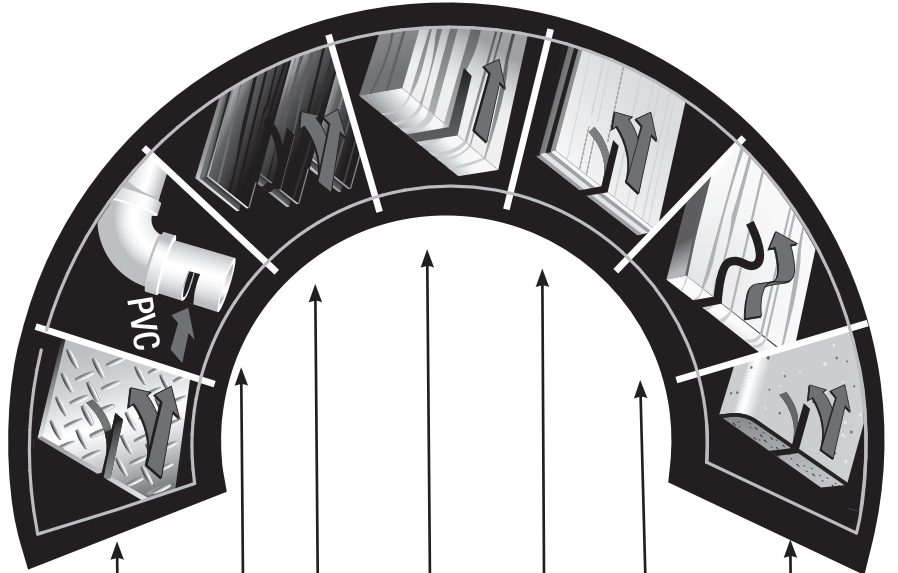




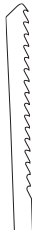
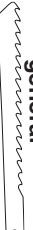



Tableau de coupe « Smart Select™ »



<u>Configuration des "smart select TM"</u>	<u>Vitesse de coupe recom.</u>	<u>Type de lame recommandé</u>	<u>Dents par po.</u>	<u>Orbite</u>
Dessus de comptoir, planche lamellée (sans mouvement orbital)	rapide	Bois d'usage général 	10-12 couper la lame	no orbite
Chantournage/courbes, oeuvres artisanales	rapide	Bois de chantournage 	10-12	orbite basse
Contreplaqué, panneaux de bois	rapide	Bois d'usage général 	10-12	orbite moyenne
Bois de construction, bois tendre	moyen/rapide	Bois d'usage général 	6	maximum en orbite
Bois dur, de terrasse, de revêtement de sol	moyen	Bois d'usage général 	6	orbite moyenne
Plastique, plexiglas, PVC	moyen	Bois d'usage général 	10-12	orbite basse
Feuille de métal et de fibre de verre, fer blanc, carreau de céramique	lent / moyen	Lame métallique pour céramique/fibre de verre 	14-24	no orbite

Mise en marche et arrêt

- Pour mettre la scie en marche, appuyer sur l'interrupteur vitesse variable (1).
- Pour un fonctionnement continu, appuyer sur l'interrupteur vitesse variable (1), enfoncer le bouton de verrouillage (2), puis relâcher l'interrupteur vitesse variable.
- Pour mettre l'outil hors tension, relâcher l'interrupteur vitesse variable. - Pour mettre l'outil hors tension lorsqu'il est en mode de fonctionnement continu, appuyer sur l'interrupteur vitesse variable une fois puis le relâcher.

Commande de la vitesse variable

La vitesse variable est réglée au moyen de la détente de vitesse variable (1). La vitesse de l'outil varie selon la pression qu'on exerce sur la détente. Pour obtenir des résultats optimaux, entamer la coupe en appuyant légèrement sur la détente (basse vitesse), puis augmenter graduellement la vitesse (appuyer plus fortement sur la détente) au fur et à mesure que la coupe progresse.

Réglage du mode de coupe voulu (« Smart Select™ ») (fig. D)

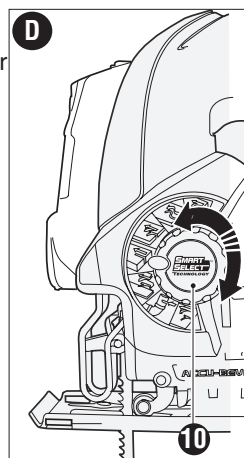
Voici les étapes à respecter pour choisir le mouvement orbital pour le type de matériau à couper :

Étape 1 : tourner le bouton (10), comme indiqué à la figure D, sur l'icône appropriée. Se reporter au tableau en page 16 pour les descriptions des 7 positions différentes.

Étape 2 : selon le tableau indiqué à l'étape précédente, insérer la bonne lame.

Étape 3 : couper le matériau.

REMARQUE : ces réglages sont des recommandations initiales. Il est possible que l'application ait un meilleur rendement à des réglages différents. Essayer ces positions sur des matériaux semblables avant d'effectuer la coupe finale, régler les sélections pour optimiser les résultats.



Rangement de la lame (fig. E)

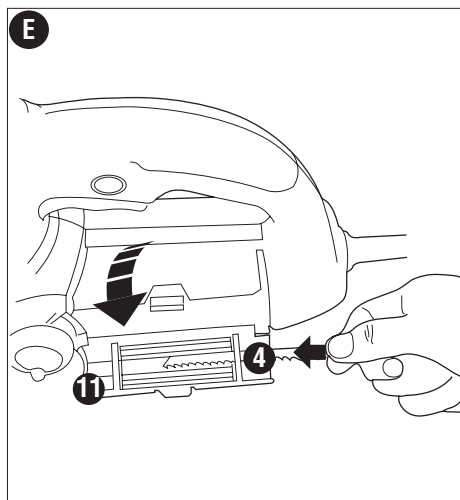
Un compartiment de rangement (11) est intégré au côté de la scie pour y ranger les lames.

Ouverture de la porte du compartiment de rangement :

- Saisir la languette au haut de la porte du compartiment et imprimer un mouvement vers l'extérieur.

Les lames entrent et sortent du compartiment.

⚠ **MISE EN GARDE** : fermer solidement la porte du compartiment avant de faire fonctionner la scie.

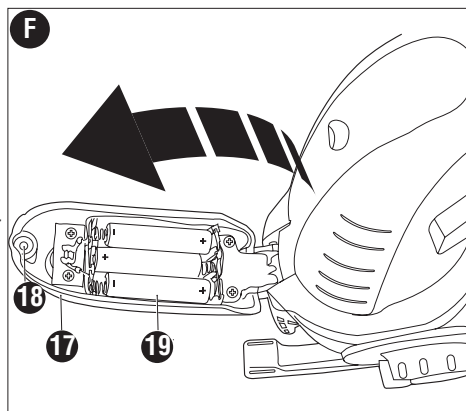


Fonctionnement du module UV

(figures F, G et H)

Insertion des piles (figure F)

- Ouvrir la porte du module UV (17) de la scie sauteuse en retirant la vis (18) et en la tirant pour la faire pivoter vers l'avant.
- Insérer trois piles alcalines AAA neuves de 1,5 V (19) et s'assurer de bien faire correspondre les bornes (+) et (-).
- Fermer la porte du module UV et remettre la vis en place.

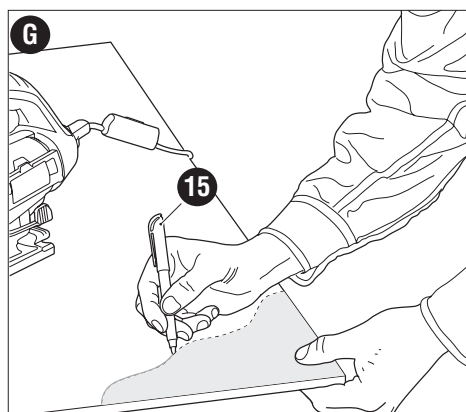


Utilisation de la lampe UV (figures G et H)

Le module UV projette des rayons UV qui éclairent une ligne réfléchissante tracée sur la surface de la pièce à usiner.

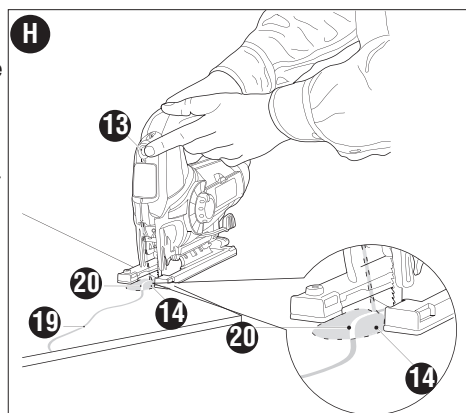
Pour utiliser la lampe UV :

- Tracer la ligne de coupe voulue à l'aide du crayon marqueur (15) comme l'illustre la figure G.



- Allumer la lampe UV (14) en appuyant sur le bouton (13).
- Pour éteindre la lampe UV (14), appuyer de nouveau sur le bouton (13).
- Positionner la scie sauteuse au-dessus de la ligne de coupe (19).

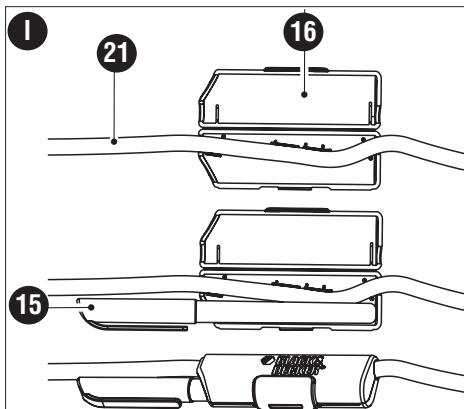
Si l'on se positionne directement au-dessus de la scie sauteuse, il est facile de suivre la ligne de coupe, qui est éclairée (20) par la lampe UV (14).



Rangement du crayon marqueur (figure I)

- Le crayon marqueur (15) se range dans le porte-crayon (16).
- Le porte-crayon (16) s'ouvre et se fixe n'importe où sur le cordon (21) comme l'illustre la figure I.
- Pour déplacer le porte-crayon, débloquer la charnière et ouvrir le porte-crayon.
- Détacher du cordon et rattacher en un autre point, vers le haut ou le bas du cordon.

REMARQUE : Si le crayon marqueur (15) a besoin d'être remplacé, un marqueur jaune ordinaire acheté dans une papeterie fera bien l'affaire (pointe fine recommandée).



Raccordement d'un aspirateur à l'outil

Un adaptateur de tuyau (non fourni) est en vente au centre de réparation Black & Decker le plus près de chez vous. Insérer l'adaptateur de tuyau dans l'ouverture au dos de la scie. Raccorder le tuyau (non fourni) de l'aspirateur à l'adaptateur de tuyau.

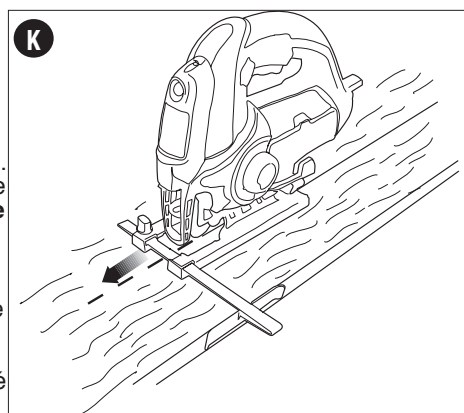
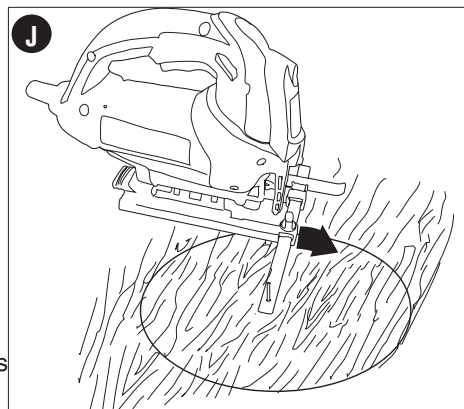
SCIAGE EN LONG ET COUPE CIRCULAIRE

Le guide longitudinal et le guide circulaire (moyennant des frais supplémentaires) permettent de réaliser facilement un sciage rapide ou une coupe circulaire sans trait tiré au crayon.

À l'aide de la vis fournie avec le guide accessoire, positionner l'ensemble, comme indiqué à la **figure J**, et visser la vis dans la semelle pour fixer solidement le guide circulaire.

Pour une coupe circulaire, régler le guide longitudinal de sorte que la distance séparant la lame de l'orifice situé dans la barre de serrage corresponde au rayon recherché, puis serrer la vis. Poser la vis de façon à ce que l'orifice de la traverse se trouve au-dessus du centre du cercle à couper (percer un trou pour la lame ou couper vers l'intérieur à partir du bord du matériau pour mettre en place la lame). Lorsque la scie est dans la position correcte, enfoncer un petit clou dans le trou de la traverse. Couper le cercle au moyen du guide longitudinal utilisé comme bras pivotant. Pour une coupe circulaire, la traverse doit être en position relevée comme indiqué à la **figure J**.

Lors du sciage en long, coulisser le guide longitudinal sous la vis d'un côté ou l'autre de la scie. Régler la traverse à la distance voulue de la lame, puis serrer la vis. Pour le sciage en long, abaisser la traverse et l'appuyer contre le bord droit de la pièce comme indiqué à la **figure k**.



Coupe de lamellés

Lorsqu'on remonte la scie, on peut engendrer des éclats de bois sur la surface la plus près de la plaque du patin.

-Utiliser une lame à dents fines.

-Effectuer la coupe à partir de la surface arrière de la pièce.

-Afin de réduire au minimum les éclats de bois, fixer une retaille de bois ou un panneau dur de chaque côté de la pièce et couper à travers les trois pièces.

Coupe du métal

-Il ne faut pas oublier que la durée de coupe du métal est beaucoup plus longue que celle du bois.

-Utiliser une lame conçue pour la coupe du métal.

-Pour réaliser la coupe d'une tôle mince, fixer une retaille de bois à l'arrière de la pièce et couper à travers les deux pièces.

-Étendre un film d'huile sur la ligne de coupe prévue pour faciliter le fonctionnement de l'outil et accroître la durée de vie de la lame. Il est préférable d'utiliser du kérosène pour couper l'aluminium.

⚠ AVERTISSEMENT : Risques d'incendie. Ne pas utiliser l'adaptateur du tube d'aspiration pour couper le métal; les débris métalliques sont chauds et peuvent causer un incendie.

Problème

- L'appareil refuse de démarrer.

Cause possible

- Cordon d'alimentation non branché.
- Le fusible du circuit est grillé.

Solution possible

- Brancher l'outil dans une prise qui fonctionne.
- Remplacer le fusible du circuit. (Si le produit fait griller de façon répétée le fusible du circuit, arrêter immédiatement d'utiliser le

produit et le faire réparer dans un centre de

réparation Black & Decker ou un centre de réparation autorisé.)

- Le disjoncteur est déclenché.

- Remettre le disjoncteur à zéro . (Si le produit fait déclencher de façon répétée le disjoncteur, arrêter immédiatement d'utiliser le produit et le faire réparer dans un centre de réparation Black & Decker ou un centre de réparation autorisé.)

- Le cordon d'alimentation ou la prise de courant est endommagé(e).

- Faire remplacer le cordon ou l'interrupteur au centre de réparation Black & Decker ou à un centre de réparation autorisé.

- La plaque de la semelle est lâche.

- Vis de fixation lâche.

- Desserrer la vis la plus près de la lame, sur la face

inférieure de la plaque de la semelle. Serrer la vis la plus éloignée de la lame en tournant dans le sens antihoraire (filetage inverse) Rappel : le levier de biseau doit être en position fermée. Serrer la vis la plus près de la lame.

Pour obtenir de l'aide avec l'outil, consulter notre site Web www.blackanddecker.com pour l'emplacement du centre de réparation le plus près ou communiquer avec l'assistance **BLACK & DECKER** au **1-800-544-6986**.

ENTRETIEN

ENTRETIEN

Nettoyer l'outil au moyen d'un savon doux et d'un linge humide seulement. Ne jamais laisser de liquide s'infiltrer à l'intérieur de l'outil ni tremper ce dernier dans un liquide quelconque.

IMPORTANT : pour assurer la SÉCURITÉ et la FIABILITÉ de ce produit, toutes les opérations de réparation, d'entretien et de réglage doivent être effectuées dans un centre de service autorisé ou par du personnel qualifié; on ne doit utiliser que des pièces de rechange identiques.

ACCESSOIRES

Les accessoires recommandés pour l'outil sont vendus chez les dépositaires locaux ou dans les centres de service autorisés. Pour obtenir de l'aide concernant un accessoire, composer le **1 800 544-6986**.

⚠ AVERTISSEMENT : l'usage d'un accessoire non recommandé peut présenter un danger.

INFORMATION SUR LES RÉPARATIONS

Tous les centres de réparation Black & Decker sont dotés de personnel qualifié en matière d'outillage électrique; ils sont donc en mesure d'offrir à leur clientèle un service efficace et fiable. Que ce soit pour un avis technique, une réparation ou des pièces de rechange authentiques installées en usine, communiquer avec l'établissement Black & Decker le plus près de chez vous. Pour trouver l'établissement de réparation de votre région, consulter le répertoire des Pages jaunes à la rubrique « Outils électriques » ou composer le numéro suivant : **1-800-544-6986** ou consulter le site **www.blackanddecker.com**

GARANTIE COMPLÈTE DE DEUX ANS POUR UNE UTILISATION DOMESTIQUE

Black & Decker (É.-U.) Inc. garantit ce produit pour une durée de deux ans contre tout défaut de matériau ou de fabrication. Le produit défectueux sera remplacé ou réparé sans frais de l'une des deux façons suivantes :

La première façon consiste en un simple échange chez le détaillant qui l'a vendu (pourvu qu'il s'agisse d'un détaillant participant). Tout retour doit se faire durant la période correspondant à la politique d'échange du détaillant (habituellement, de 30 à 90 jours après l'achat). Une preuve d'achat peut être requise. Vérifier auprès du détaillant pour connaître sa politique concernant les retours hors de la période définie pour les échanges.

La deuxième option est d'apporter ou d'envoyer le produit (transport payé d'avance) à un centre de réparation autorisé ou à un centre de réparation de Black & Decker pour faire réparer ou échanger le produit, à notre discrétion. Une preuve d'achat peut être requise. Les centres Black & Decker et les centres de service autorisés sont répertoriés dans les pages jaunes, sous la rubrique « Outils électriques ».

Cette garantie ne s'applique pas aux accessoires. Cette garantie vous accorde des droits légaux spécifiques et vous pourriez avoir d'autres droits qui varient d'un État ou d'une province à l'autre. Pour toute question, communiquer avec le directeur du centre de réparation Black & Decker le plus près de chez vous. Ce produit n'est pas destiné à un usage commercial.

REPLACEMENT GRATUIT DES ÉTIQUETTES D'AVERTISSEMENT : si les étiquettes d'avertissement deviennent illisibles ou sont manquantes, composer le **1-800-544-6986** pour en obtenir le remplacement gratuit.

Imported by / Importé par
Black & Decker Canada Inc.
100 Central Ave.
Brockville (Ontario) K6V 5W6

Voir la rubrique "Outils
électriques"
des Pages Jaunes
pour le service et les ventes.

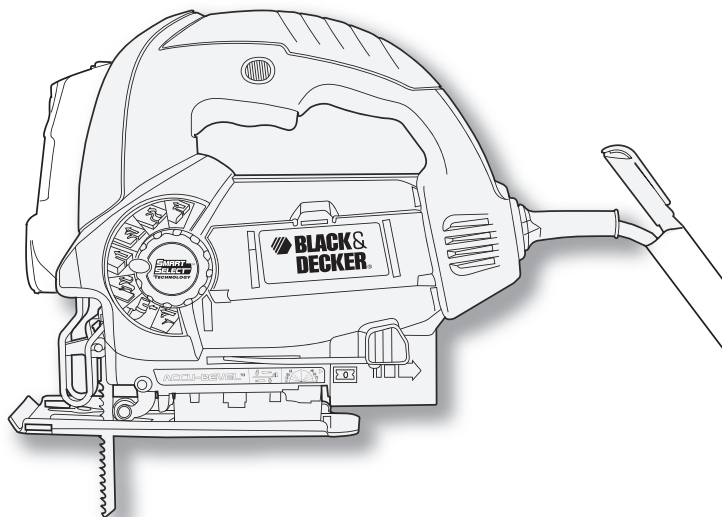


BLACK & DECKER®

SIERRA CALADORA ORBITAL LINEFINDER™

MANUAL DE INSTRUCCIONES

Numero de
catálogo
JS670V



Gracias por elegir Black & Decker!
Visite www.BlackandDecker.com/NewOwner
para registrar su nuevo producto.

**LEA EL MANUAL ANTES DE DEVOLVER
ESTE PRODUCTO POR CUALQUIER MOTIVO:**

Si tiene una consulta o algún inconveniente con su producto Black & Decker, visite
[HTTP://WWW.BLACKANDDECKER.COM/INSTANTANSWERS](http://www.blackanddecker.com/instantanswers)
para obtener respuestas instantáneas las 24 horas del día.

Si no encuentra la respuesta o no tiene acceso a Internet, llame al 1-800-544-6986 de
lunes a viernes de 8 a. m. a 5 p. m. hora del Este para hablar con un agente.

Cuando llame, tenga a mano el número de catálogo.

CONSERVE ESTE MANUAL PARA FUTURAS CONSULTAS.

PAUTAS DE SEGURIDAD/DEFINICIONES

Es importante que lea y comprenda este manual. La información que contiene se relaciona con la protección de SU SEGURIDAD y la PREVENCIÓN DE PROBLEMAS. Los símbolos que siguen se utilizan para ayudarlo a reconocer esta información.

⚠ PELIGRO: indica una situación de peligro inminente que, si no se evita, provocará la muerte o lesiones graves.

⚠ ADVERTENCIA: indica una situación de peligro potencial que, si no se evita, provocará la muerte o lesiones graves.

⚠ PRECAUCIÓN: indica una situación de peligro potencial que, si no se evita, provocará lesiones leves o moderadas.

PRECAUCIÓN: utilizado sin el símbolo de alerta de seguridad indica una situación de peligro potencial que, si no se evita, puede provocar daños en la propiedad.

Advertencias generales de seguridad para herramientas eléctricas

⚠ ADVERTENCIA: Lea todas las advertencias de seguridad e instrucciones. El incumplimiento de las advertencias e instrucciones puede provocar descargas eléctricas, incendios o lesiones graves.

Conserve todas las advertencias e instrucciones para futuras consultas.

El término "herramienta eléctrica" incluido en las advertencias hace referencia a las herramientas eléctricas operadas con corriente (con cable eléctrico) o a las herramientas eléctricas operadas con baterías (inalámbricas).

1) Seguridad en el área de trabajo

- a) **Mantenga el área de trabajo limpia y bien iluminada.** *Las áreas abarrotadas y oscuras propician accidentes.*
- b) **No opere herramientas eléctricas en atmósferas explosivas, como ambientes donde se encuentran líquidos, gases o polvo inflamables.** *Las herramientas eléctricas originan chispas que pueden encender el polvo o los vapores.*
- c) **Mantenga a los niños y espectadores alejados de la herramienta eléctrica en funcionamiento.** *Las distracciones pueden provocar la pérdida de control.*

2) Seguridad eléctrica

- a) **Los enchufes de la herramienta eléctrica deben adaptarse al tomacorriente. Nunca modifique el enchufe de ninguna manera. No utilice ningún enchufe adaptador con herramientas eléctricas con conexión a tierra.** *Los enchufes no modificados y que se adaptan a los tomacorrientes reducirán el riesgo de descarga eléctrica.*
- b) **Evite el contacto corporal con superficies puestas a tierra, como por ejemplo tuberías, radiadores, rangos y refrigeradores.** *Existe mayor riesgo de descarga eléctrica si su cuerpo está puesto a tierra.*
- c) **No exponga las herramientas eléctricas a la lluvia o a condiciones de humedad.** *Si ingresa agua a una herramienta eléctrica, aumentará el riesgo de descarga eléctrica.*
- d) **No maltrate al cable. Nunca utilice el cable para transportar, tirar o desenchufar la herramienta eléctrica. Mantenga el cable lejos del calor, aceite, bordes afilados o piezas móviles.** *Los cables dañados o enredados aumentan el riesgo de descarga eléctrica.*
- e) **Al operar una herramienta eléctrica en el exterior, utilice un cable prolongador adecuado para tal uso.** *Utilice un cable adecuado para uso en exteriores a fin de reducir el riesgo de descarga eléctrica.*
- f) **Si el uso de una herramienta eléctrica en un lugar húmedo es imposible de evitar, utilice un suministro protegido con un interruptor de circuito por falla a tierra (GFCI).** *El uso de un GFCI reduce el riesgo de descargas eléctricas.*

3) Seguridad personal

- a) **Permanezca alerta, controle lo que está haciendo y utilice el sentido común cuando emplee una herramienta eléctrica.** *No utilice una herramienta eléctrica si está cansado o bajo el efecto de drogas, alcohol o medicamentos. Un momento de descuido mientras se opera una herramienta eléctrica puede provocar lesiones personales graves.*

- b) **Utilice equipos de protección personal. Siempre utilice protección para los ojos.** *En las condiciones adecuadas, el uso de equipos de protección, como máscaras para polvo, calzado de seguridad antideslizante, cascos o protección auditiva, reducirá las lesiones personales.*
 - c) **Evite el encendido por accidente. Asegúrese de que el interruptor esté en la posición de apagado antes de conectarlo a la fuente de energía o paquete de baterías, o antes de levantar o transportar la herramienta.** *Transportar herramientas eléctricas con el dedo apoyado en el interruptor o enchufar herramientas eléctricas con el interruptor en la posición de encendido puede propiciar accidentes.*
 - d) **Retire las clavijas de ajuste o llaves de tuercas antes de encender la herramienta eléctrica.** *Una llave de tuercas o una clavija de ajuste que se deje conectada a una pieza giratoria de la herramienta eléctrica pueden provocar lesiones personales.*
 - e) **No se estire. Conserve el equilibrio adecuado y manténgase parado correctamente en todo momento.** *Esto permite un mejor control de la herramienta eléctrica en situaciones inesperadas.*
 - f) **Use la vestimenta adecuada. No use ropas holgadas ni joyas. Mantenga el cabello, la ropa y los guantes alejados de las piezas en movimiento.** *Las ropas holgadas, las joyas o el cabello largo pueden quedar atrapados en las piezas en movimiento.*
 - g) **Si se suministran dispositivos para la conexión de accesorios con fines de recolección y extracción de polvo, asegúrese de que estén conectados y que se utilicen correctamente.** *El uso de dispositivos de recolección de polvo puede reducir los peligros relacionados con el polvo.*
- 4) **Uso y mantenimiento de la herramienta eléctrica**
- a) **No fuerce la herramienta eléctrica. Utilice la herramienta eléctrica correcta para el trabajo que realizará.** *La herramienta eléctrica correcta hará el trabajo mejor y más seguro a la velocidad para la que fue diseñada.*
 - b) **No utilice la herramienta eléctrica si no puede encenderla o apagarla con el interruptor.** *Toda herramienta eléctrica que no puede ser controlada mediante el interruptor es peligrosa y debe ser reparada.*
 - c) **Desconecte el enchufe de la fuente de energía y/o el paquete de baterías de la herramienta eléctrica antes de realizar ajustes, cambiar accesorios o almacenar herramientas eléctricas.** *Estas medidas de seguridad preventivas reducen el riesgo de encender la herramienta eléctrica en forma accidental.*
 - d) **Guarde las herramientas eléctricas que no están en uso fuera del alcance de los niños y no permite que otras personas no familiarizadas con ella o con estas instrucciones operen la herramienta.** *Las herramientas eléctricas son peligrosas en las manos de usuarios no entrenados.*
 - e) **Mantenimiento de las herramientas eléctricas. Controle que no haya piezas móviles mal alineadas o trabadas, piezas rotas y toda otra situación que pueda afectar el funcionamiento de las herramientas eléctricas. Si encuentra daños, haga reparar la herramienta eléctrica antes de utilizarla.** *Se producen muchos accidentes a causa de las herramientas eléctricas que carecen de un mantenimiento adecuado.*
 - f) **Mantenga las herramientas de corte afiladas y limpias.** *Las herramientas de corte con mantenimiento adecuado, con los bordes de corte afilados son menos propensas a trabarse y son más fáciles de controlar.*
 - g) **Utilice la herramienta eléctrica, los accesorios y las brocas de la herramienta, etc. de acuerdo con estas instrucciones y teniendo en cuenta las condiciones de trabajo y el trabajo que debe realizarse.** *El uso de la herramienta eléctrica para operaciones diferentes de aquéllas para las que fue diseñada podría originar una situación peligrosa.*
- 5) **Mantenimiento**
- a) **Haga que una persona de reparaciones calificada realice el mantenimiento de su herramienta eléctrica y utilice piezas de repuesto idénticas solamente.** *Esto garantizará la seguridad de la herramienta eléctrica.*

NORMAS DE SEGURIDAD ESPECÍFICAS

- **Sujete la herramienta eléctrica por las superficies aislantes cuando realice una operación en que la herramienta pueda hacer contacto con cableados ocultos.** Al hacer contacto con un cable “vivo”, las partes metálicas de la herramienta se vuelven “vivas” y pueden originar un choque al operador.
 - **Utilice abrazaderas u otra forma práctica para asegurar y sostener la pieza de trabajo sobre una plataforma estable.** Sostener el trabajo con la mano o contra el cuerpo no brinda la estabilidad requerida y puede llevar a la pérdida del control.
 - **Mantenga las manos lejos de las zonas de corte.** Nunca se estire por debajo del material por ningún motivo. Sostenga la parte frontal de la sierra desde el área de sujeción contorneada. No inserte los dedos en la zona cercana a la hoja alternativa y a la abrazadera de la hoja. No establezca la sierra sujetando la zapata.
 - **Mantenga las hojas afiladas.** Las hojas sin filo pueden hacer que la sierra se desvíe o atasque al recibir presión.
 - **Al cortar tuberías o conductos,** asegúrese de que no contengan agua, cableado eléctrico, etc.
 - **Espere a que el motor se detenga por completo antes de retirar la hoja del indicador de corte (la ranura creada al cortar).** Una hoja en movimiento puede hacer impacto en la pieza de trabajo provocando la rotura de una hoja, daños en la pieza de trabajo o pérdida de control y posibles lesiones personales.
 - **Al aserrar, nunca sostenga el trabajo en la mano, en el regazo ni contra partes del cuerpo.** La sierra puede deslizarse y la hoja puede entrar en contacto con el cuerpo, lo que ocasionaría lesiones personales.
 - **Mantenga los mangos secos, limpios y sin restos de aceite ni grasa.** Éstos permitirán controlar la herramienta de mejor manera.
 - **Limpie su herramienta con frecuencia, especialmente después de un uso intensivo.** A menudo se acumulan sobre las superficies interiores polvo y suciedad que contienen partículas metálicas, que pueden provocar riesgo de descarga eléctrica.
 - **No haga funcionar esta herramienta durante períodos prolongados.** La vibración que produce el funcionamiento de esta herramienta puede provocar lesiones permanentes en dedos, manos y brazos. Use guantes para proveer amortiguación adicional, tome descansos frecuentes y limite el tiempo diario de uso.
- ⚠ **ADVERTENCIA:** No corte revestimientos de fibra de cemento, paneles de respaldo de cemento ni otros materiales de mampostería u hormigón.
- ⚠ **PRECAUCIÓN:** Para reducir el riesgo de lesiones en los ojos al utilizar luz UV:
- No apunte la luz UV a los espectadores.
 - Apague la luz UV al cambiar la hoja.
 - No utilice la luz UV como una linterna.
 - No fije la vista en la luz UV
 - La sierra caladora no debe ser utilizada por personas fotosensibles o que hayan sido expuestas a un agente fotosensible. (por ej.: el que se aplica durante un examen a la vista)
 - Sea extremadamente precavido al cortar piezas de trabajo cóncavas que sean reflectantes para evitar el reflejo incidental de luz UV hacia sus ojos o hacia los ojos de los espectadores.
- ⚠ **ADVERTENCIA:** parte del polvo producido por las herramientas eléctricas al lijar, aserrar, esmerilar, taladrar y realizar otras actividades de la construcción, contiene productos químicos reconocidos por el Estado de California como causantes de cáncer, defectos de nacimiento u otros problemas reproductivos. Algunos de estos productos químicos son:
- el plomo de las pinturas de base plomo,
 - la sílice cristalina de ladrillos, el cemento y otros productos de mampostería, y
 - el arsénico y el cromo de la madera con tratamiento químico.
- El riesgo derivado de estas exposiciones varía según la frecuencia con la que se realice este tipo de trabajo. Para reducir la exposición a estos productos químicos: trabaje en áreas bien ventiladas y trabaje con equipos de seguridad aprobados, como las máscaras para polvo especialmente diseñadas para filtrar las partículas microscópicas.
- **Evite el contacto prolongado con el polvo proveniente del lijado, aserrado, amolado y taladrado eléctrico y otras actividades de construcción. Use vestimenta protectora y lave todas las áreas expuestas con agua y jabón.** De entrar polvo en sus ojos, boca, o que este permanezca sobre su piel puede promover la absorción de químicos dañinos.
- ⚠ **ADVERTENCIA:** El uso de esta herramienta puede generar y/o dispersar el polvo,

el cual puede ocasionar lesión respiratoria u otro tipo de lesión grave y permanente. Utilice siempre protección respiratoria NIOSH/OSHA apropiada para la exposición al polvo. Dirija las partículas lejos de su cara o su cuerpo.

⚠ PRECAUCIÓN: Utilice protección para los oídos durante el uso. Bajo ciertas condiciones y duración de uso, el ruido de este producto puede contribuir a una pérdida del uso del oído.

⚠ AVERTISSEMENT : USE SIEMPRE LENTES DE SEGURIDAD. Los anteojos de uso diario NO son lentes de seguridad. Utilice también máscaras faciales o para polvo si el corte produce polvillo. UTILICE SIEMPRE EQUIPOS DE SEGURIDAD CERTIFICADOS:

- Protección para los ojos según la norma ANSI Z87.1 (CAN/CSA Z94.3)
- Protección auditiva según la norma ANSI S12.6 (S3.19)
- Protección respiratoria según las normas NIOSH/OSHA/MSHA

SÍMBOLOS

La etiqueta de su herramienta puede incluir los siguientes símbolos.

V	volts	A	amperes
Hz	hertz	W	watts
min.....	minutos	~	corriente alterna
===	corriente directa	n _o	velocidad sin carga
☐	construcción clase II	⊖	terminales de conexión a tierra
⚠	símbolo de alerta seguridad	.../min	revoluciones o reciprocaciones por minuto

USO DE CABLES DE EXTENSIÓN

Asegúrese que el cable de extensión esté en buenas condiciones antes de usar. Al utilizar un cable de extensión, asegúrese de que sea del tamaño correspondiente a la herramienta, o sea, lo suficientemente “pesado” como para transportar la corriente que la herramienta va a extraer. Un cable de tamaño insuficiente causará una caída en la línea de voltaje resultando en pérdida de energía y recalentamiento. Vea la tabla siguiente para el tamaño apropiado de cable.

Volts	Calibre mínimo para cables de extensión			
	Longitud total del cable en pies			
120V	0-25	26-50	51-100	101-150
	(0-7,6m)	(7,6-15,2m)	(15,2-30,4m)	(30,4-45,7m)
240V	0-50	51-100	101-200	201-300
	(0-15,2m)	(15,2-30,4m)	(30,4-60,9m)	(60,9-91,4m)
Amperaje	American Wire Gage			
Más de	No más de			
0 - 6	18	16	16	14
6 - 10	18	16	14	12
10 - 12	16	16	14	12
12 - 16	14	12	No se recomienda	

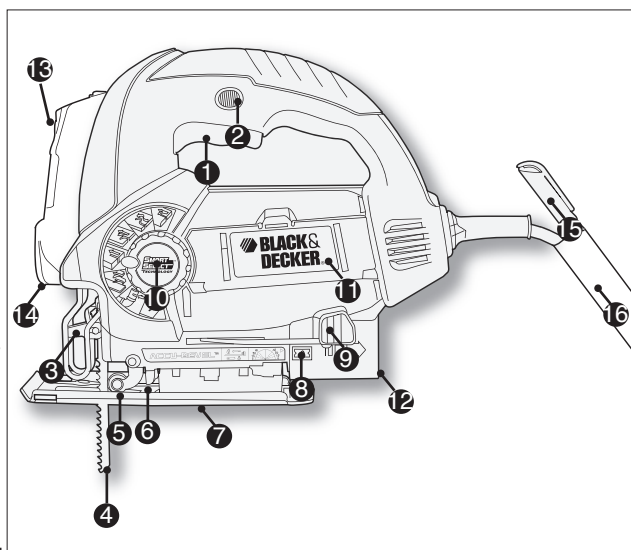
MOTOR

Verifique que su suministro de corriente concuerde con el marcaje de la placa de datos. 120 Voltios de corriente alterna (AC) solo indica que su herramienta operará con corriente casera estándar de 60 Hz. No opere herramientas de corriente alterna (AC) con corriente directa (DC). Una potencia de régimen de 120 voltios AC/DC significa que su herramienta operará con corriente estándar de 60 Hz AC o DC. Esta información está impresa en la placa de datos. Un voltaje menor ocasionará pérdida de corriente y puede resultar en recalentamiento. Todas las herramientas Black & Decker se prueban en fábrica; si esta herramienta no funciona, verifique el suministro de corriente.

GUARDE ESTAS INSTRUCCIONES

Descripción de las funciones

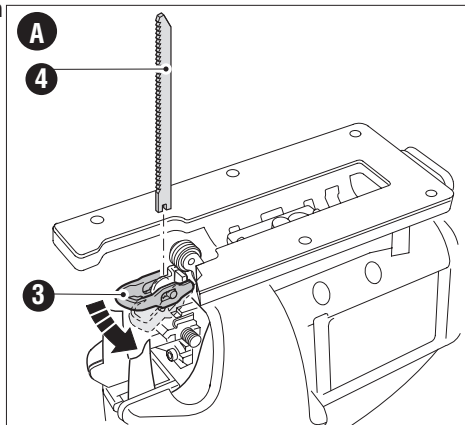
1. Interruptor de velocidad variable
2. Botón de bloqueo
3. Palanca de bloqueo de la hoja de sierra
4. Hoja de sierra
5. Soporte giratorio de la hoja de sierra
6. Soplador de polvo
7. Placa de la zapata
8. Ventana de lectura del ángulo de bisel
9. Palanca para biselado de la placa de la zapata
10. Perilla para los "corte inteligente"
11. Compartimiento para almacenamiento de la hoja de sierra
12. Orificio de extracción de polvo
13. Botón de encendido/apagado de la luz UV
14. Luz UV
15. Lápiz marcador-destacador
16. Almacenamiento para el lápiz



⚠ ADVERTENCIA: Antes de intentar cualquiera de las siguientes operaciones, asegúrese de que la herramienta esté apagada y desconectada y que la hoja de la sierra se haya detenido. Las hojas de la sierra que se utilizaron pueden estar calientes.

Instalación de la hoja (fig. A)

- Sostenga la hoja de la sierra (4) como se muestra, con los dientes orientados hacia adelante.
- Empuje la palanca de bloqueo de la hoja de sierra (3) hacia abajo.
- Introduzca el vástago de la hoja de sierra en el portahojas tanto como sea posible.
- Suelte la palanca.
- Verifique para asegurarse de que la hoja esté firme antes de cortar.



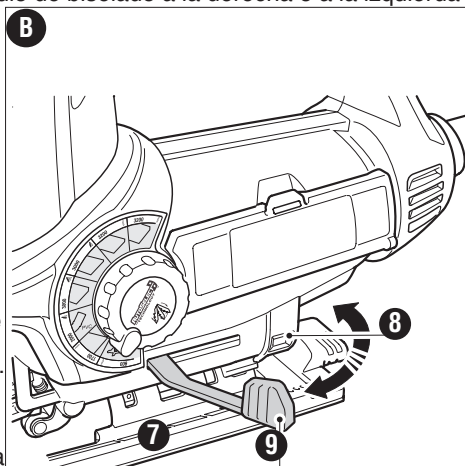
Ajuste de la placa de la zapata para cortes en bisel (fig. B)

⚠ ADVERTENCIA: : Nunca utilice la herramienta cuando la zapata de la lijadora esté suelta o extraída.

La placa de la zapata puede fijarse para un ángulo de biselado a la derecha o a la izquierda de hasta 45°.

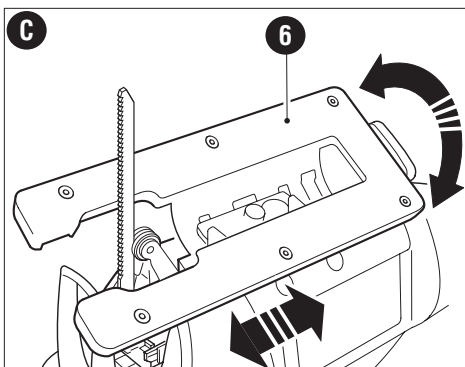
Para establecer el ángulo de bisel:

- Tire de la palanca de biselado de la placa de la zapata (9) hacia afuera de la sierra para desbloquear la placa de la zapata (7) como se muestra en la **figura B**.
- Deslice la placa de la zapata (7) hacia adelante para liberarla de la posición de tope positiva 0°.
- La zapata puede ser biselada hacia la izquierda o la derecha y tiene bloqueos a 15°, 30° y 45° (**figura C**).
- Coloque la placa en el ángulo de bisel deseado. A medida que establece el ángulo de la zapata se puede leer la cantidad de grados en la ventana de lectura del ángulo de bisel (8). Use un transportador para verificar la precisión del ángulo.
- Tire de la palanca de biselado de la placa de la zapata (9) hacia atrás en dirección a la sierra para bloquear la placa de la zapata (7).

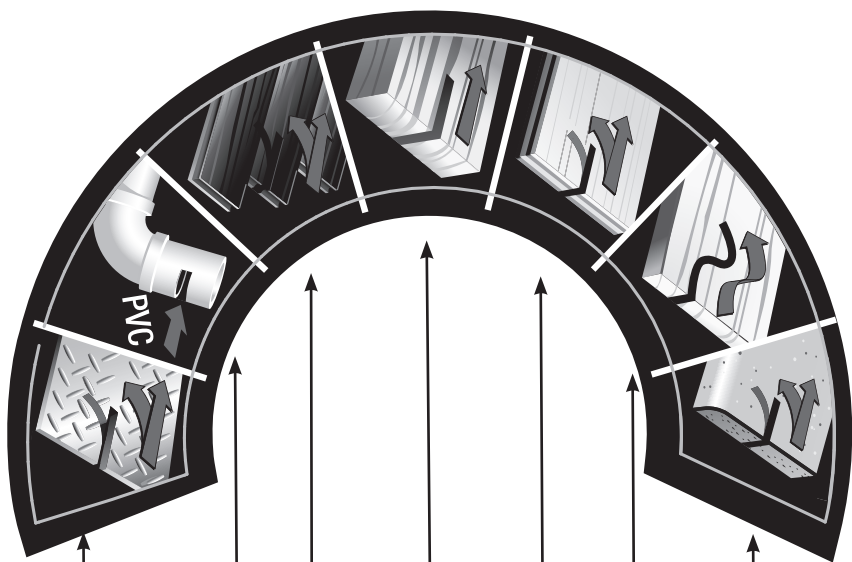


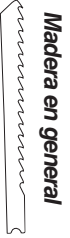



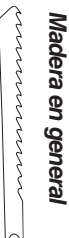


Para fijar la placa de la zapata para cortes rectos:

- Tire de la palanca de biselado de la placa de la zapata (9) hacia afuera de la sierra para desbloquear la placa de la zapata (7) como se muestra en la **figura B**.
- Gire la placa de la zapata a un ángulo de aproximadamente 0 grados y luego tire la placa de la zapata hacia atrás para trabar el tope positivo a 0 grados.
- Tire de la palanca de biselado de la placa de la zapata (9) hacia atrás en dirección a la sierra para bloquear la placa de la zapata (7).



CUADRO DE CORTE INTELIGENTE



Configuración del corte inteligente	Velocidad de corte recomendada	Tipo de hoja Recomendado	Dientes por pulg.	Órbita
Encimeras, placas laminadas (Sin acción orbital)	rápida	 Madera en general	10-12 por la cuchilla de corte	ninguna órbita
Deslizamiento/ Curvas, artesanía	rápida	 Madera deslizante	10-12	órbita baja
Madera contrachapada, paneles de madera	rápida	 Madera en general	10-12	órbita media
Maderas en general, madera blanda	media/ rápida	 Madera en general	6	la órbita de máxima
Madera dura, terrazas, pisos	media	 Madera en general	6	órbita media
Plástico, plexiglas, PVC	media	 Para uso general	10-12	órbita baja
Lámina de metal, hojalata, baldosa de cerámica, lámina de fibra de vidrio	baja/ media	 Hoja metálica Cerámica/Fibra de vidrio	14-24	ninguna órbita

Encendido y apagado

- Para encender la herramienta, presione el interruptor de velocidad variable(1).
- Para un funcionamiento continuo, presione el interruptor de velocidad variable(1), presione el botón de bloqueo (2) y suelte el interruptor de velocidad variable.
- Para apagar la herramienta, suelte el interruptor de velocidad variable. Para apagar la herramienta, cuando está en funcionamiento continuo, oprima el interruptor de velocidad variable una vez más y suéltelo.

Control de velocidad variable

La velocidad variable se controla mediante el interruptor de velocidad variable (1). La velocidad de la herramienta depende de cuánto presione el interruptor. Para obtener los mejores resultados, inicie el corte oprimiendo suavemente el disparador (velocidad baja) y aumente gradualmente la velocidad (oprime más el disparador) a medida que el corte avanza.

Cómo establecer el modo de corte deseado (corte inteligente) (fig. D)

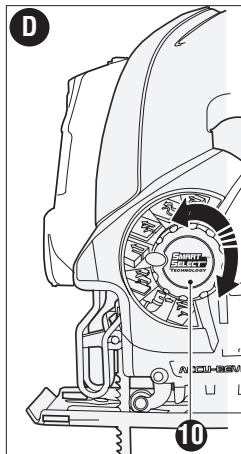
Para seleccionar la acción orbital correcta para el tipo de material que corta, siga los pasos a continuación:

Paso 1 - Gire el dial (10) como se muestra en la figura D hasta llegar al icono apropiado. Consulte el cuadro en la página 26 para obtener descripciones de las 7 diferentes posiciones.

Paso 2 - Inserte la hoja adecuada tomando como referencia el cuadro mencionado.

Paso 3 - Realice el corte.

NOTA: Estas configuraciones son recomendaciones iniciales. Su aplicación puede funcionar mejor con diferentes configuraciones. Pruebe estas posiciones en un material similar antes de realizar un corte de acabado y ajuste las selecciones para obtener los resultados deseados.



Almacenamiento de la hoja (fig. E)

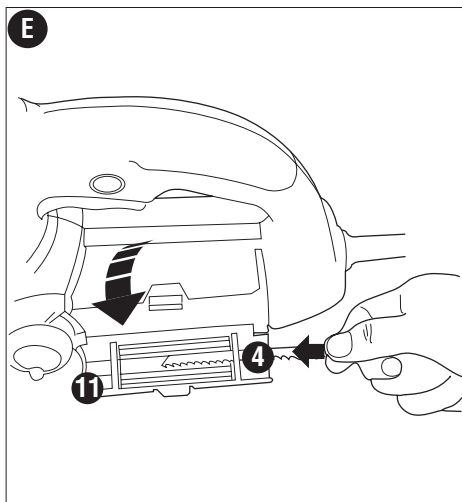
Un compartimiento de almacenamiento para hojas (11) está integrado en el costado de la sierra.

Para abrir la puerta del compartimiento:

- Tome la lengüeta de la parte superior de la puerta y tire hacia afuera.

Las hojas se deslizan dentro y fuera del compartimiento.

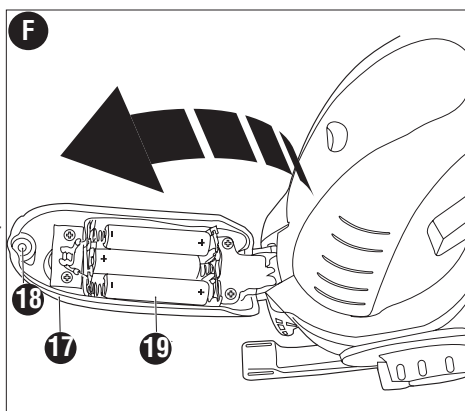
⚠ PRECAUCIÓN: Cierre bien la puerta antes de poner la sierra en funcionamiento.



Uso del módulo de UV (Figura F, G y H)

Instalación de las baterías (Figura F)

- Retire el tornillo (18) y tire de la puerta del módulo de UV (17) hacia adelante para separarla de la sierra caladora.
- Inserte 3 baterías alcalinas AAA de 1,5 voltios (19) nuevas, asegurándose de que los terminales (+) y (-) coincidan correctamente.
- Cierre la puerta del módulo de UV y vuelva a colocar el tornillo.

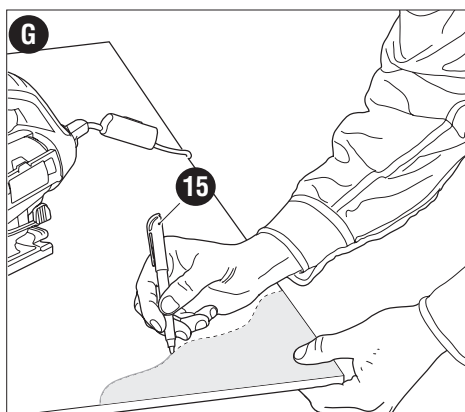


Uso de la luz UV (Figura G y H)

El módulo de UV proyecta una luz UV que ilumina una línea dibujada con el destacador sobre la superficie de la pieza de trabajo.

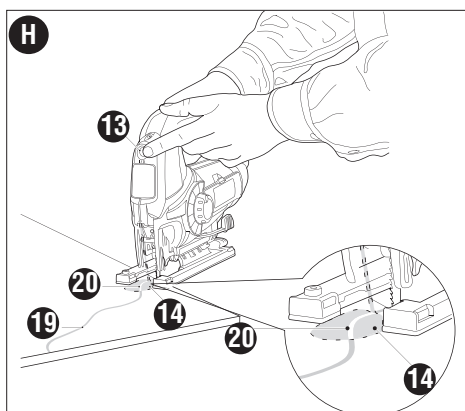
Para utilizar la luz UV:

- Marque la línea de corte deseada utilizando el lápiz marcador-destacador (15) como se muestra en la **figura G**.



- Encienda la luz UV (14) oprimiendo el botón (13).
- Para apagar la luz UV (14), oprima el botón (13) nuevamente.
- Ubique la sierra caladora sobre la línea de corte (19).

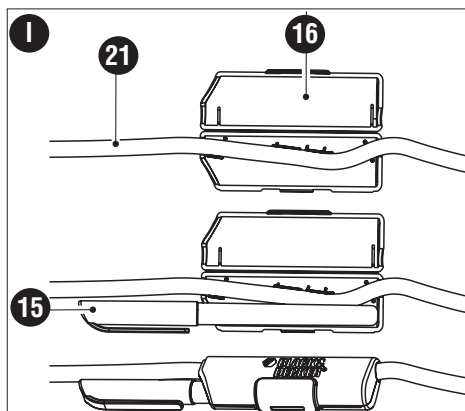
Mirando directamente desde encima de la sierra caladora, se iluminará la línea de corte (20) con la luz UV (14) y podrá seguirse con facilidad.



Almacenamiento del lápiz destacador (Figura I)

- El lápiz marcador-destacador (15) se guarda en el portalápiz (16).
- El portalápiz (16) puede abrirse y fijarse en cualquier parte del cable (21) como se muestra en la Figura I.
- Para mover el portalápiz, desbloquee la bisagra y ábralo.
- Retírelo del cordón y muévalo hacia arriba o hacia abajo a cualquier parte del mismo.

NOTA: En caso de que necesite reemplazar el lápiz marcador-destacador (15), puede hacerlo con un destacador amarillo estándar de los que se encuentran en las tiendas de suministros de oficina (se recomienda que sea de punta fina).



Conexión de la aspiradora a la herramienta

Por un precio adicional puede adquirir un adaptador para manguera (no incluido), disponible en el centro de mantenimiento de Black & Decker más cercano. Introduzca el adaptador para manguera en la abertura detrás de la sierra. Conecte la manguera de una aspiradora (no incluida) al adaptador para manguera.

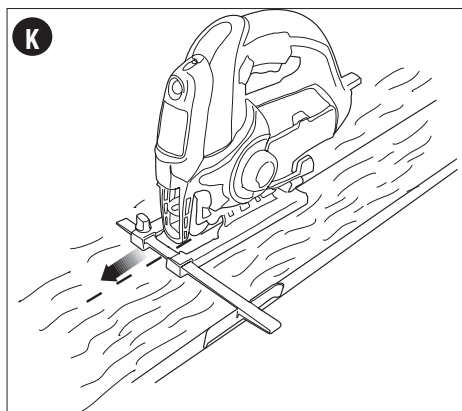
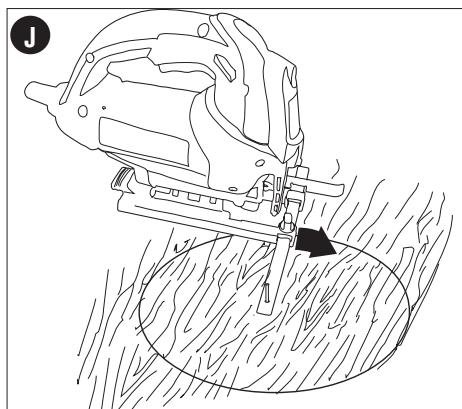
Cortes longitudinales y cortes de círculos

Sin utilizar una línea de lápiz, el corte longitudinal y el corte de círculos se realizan fácilmente con una guía de corte longitudinal y una guía de círculo (disponibles por un costo adicional).

Utilizando el tornillo provisto con la guía accesoria, colóquelo como se muestra en la **figura J** y enrosque el tornillo en la zapata para ajustar bien la guía.

Cuando realice cortes en círculo, ajuste la guía de corte de modo que la distancia desde la hoja hasta el orificio en la barra transversal sea del radio deseado, y ajuste el tornillo. Coloque la sierra de modo que el orificio de la barra transversal quede sobre el centro del círculo que se cortará (perfore un orificio para la hoja o corte hacia adentro desde el borde del material para colocar la hoja en posición). Cuando la sierra esté colocada adecuadamente, deslice un clavo pequeño a través del orificio de la barra transversal. Con la guía de corte como brazo giratorio, comience a cortar el círculo. Para realizar cortes de círculos, la barra transversal debe estar levantada, como se muestra en la **figura J**.

Al realizar cortes longitudinales, deslice la guía de corte longitudinal debajo del tornillo de cualquier lado de la sierra. Coloque la barra transversal a la distancia deseada con respecto a la hoja y ajuste el tornillo. Para realizar cortes longitudinales, la barra transversal debe estar hacia abajo y contra el borde recto de la pieza de trabajo como se muestra en la **figura K**.



SUGERENCIA PARA UN USO ÓPTIMO

Para aserrar laminados

Como la hoja de sierra hace el corte en su trayectoria hacia arriba, puede que la superficie más cercana a la platina se astille.

- Use una hoja de dientes afinados.
- Haga el aserrado desde la superficie posterior de la pieza de corte.
- A fin de minimizar el astillado, afiance un resto de madera o madera prensada a ambos lados de la pieza de corte y proceda a aserrar a través de esta especie de "sandwich".

Aserrado en metal

- Para empezar, recuerde que aserrar metales toma mucho más tiempo que aserrar madera.
- Use una hoja apropiada para aserrar metales.
- En cortes de láminas delgadas, afiance un resto de madera a la parte posterior de la pieza y corte a través de esta especie de "sandwich".
- Distribuya una capa de aceite a lo largo de la línea de corte deseada para una mejor operación y una mayor duración de la hoja. Para cortes en aluminio, coloque kerosén preferentemente.

⚠ ADVERTENCIA: Riesgo de incendios. No utilice el adaptador de aspiradora cuando corte en metal. Las limaduras de metal pueden estar calientes y pueden ocasionar un incendio.

DETECCIÓN DE PROBLEMAS

Problema	Causa posible	Solución posible
• La unidad no enciende.	<ul style="list-style-type: none">• Cable desenchufado.• Fusible quemado.• El interruptor automático está activado.• Interruptor o cable dañado.	<ul style="list-style-type: none">• Enchufe el cargador en un tomacorriente que funcione.• Reemplace el fusible quemado. (Si repetidamente el producto hace que el fusible del circuito se quemé, deje de utilizarlo inmediatamente y haga que le realicen mantenimiento en un centro de mantenimiento Black & Decker o en un centro de servicio autorizado.)• Reinicie el interruptor automático. (Si repetidamente el producto hace que el fusible del circuito se quemé, deje de utilizarlo inmediatamente y haga que le realicen mantenimiento en un centro de mantenimiento Black & Decker o en un centro de servicio autorizado.)• Haga reparar el cable o el interruptor en un centro de mantenimiento Black & Decker o en un centro de mantenimiento autorizado.
• La placa de la zapata está floja.	<ul style="list-style-type: none">• El tornillo de fijación está flojo.	<ul style="list-style-type: none">• Afloje el tornillo más cercano a la hoja debajo de la placa de la zapata. Ajuste el tornillo más lejano a la hoja girando en el sentido contrario a las agujas del reloj (rosca de mano izquierda) Recordatorio: La palanca de bisel debe estar en la posición cerrada. Ajuste el tornillo más cercano a la hoja.

Solamente para Propósitos de México

Para conocer la ubicación del centro de servicio más cercano a fin de recibir ayuda con su producto, visite nuestro sitio Web www.blackanddecker.com.mx o llame a la línea de ayuda BLACK & DECKER al **01 800 847 2309/01 800 847 2312**.

MANTENIMIENTO

Utilice solamente jabón suave y agua para limpiar la herramienta. Nunca permita que ningún líquido se introduzca dentro de la misma; nunca sumerja ninguna parte de la herramienta dentro de algún líquido.

IMPORTANTE: Para garantizar la SEGURIDAD y la FIABILIDAD del producto, toda reparación, mantenimiento y ajuste, deberán ser realizados en los centros autorizados de servicio u otras organizaciones de servicio calificadas, utilizando siempre para ello accesorios originales.

ACCESORIOS

Los accesorios que se recomiendan usar con su herramienta están disponibles donde su distribuidor o centro de servicio local. De necesitar asistencia para obtener un accesorio, favor llamar a: **(55) 5326-7100**.

⚠️ ADVERTENCIA: Puede ser peligroso usar cualquier accesorio no recomendado.

INFORMACIÓN DE MANTENIMIENTO

Todos los Centros de servicio de Black & Decker cuentan con personal altamente capacitado dispuesto a brindar a todos los clientes un servicio eficiente y confiable en la reparación de herramientas eléctricas. Si necesita consejo técnico, reparaciones o piezas de repuesto originales de fábrica, póngase en contacto con el centro de servicio de Black & Decker más cercano a su domicilio. Para ubicar su centro de servicio local, consulte la sección "Herramientas eléctricas" (Tools-Electric) de las páginas amarillas, llame al **1-800-544-6986** o visite nuestro sitio www.blackanddecker.com.

GARANTÍA COMPLETA DE DOS AÑOS PARA USO EN EL HOGAR

Black & Decker (Estados Unidos) Inc. ofrece una garantía de dos años por cualquier defecto del material o de fabricación de este producto. El producto defectuoso se reparará o reemplazará sin costo alguno de dos maneras.

La primera opción, el reemplazo, es devolver el producto al comercio donde se adquirió (siempre y cuando se trate de un comercio participante). Las devoluciones deben realizarse conforme a la política de devolución del comercio (generalmente, entre 30 y 90 días posteriores a la venta). Le pueden solicitar comprobante de compra. Consulte en el comercio acerca de la política especial sobre devoluciones una vez excedido el plazo establecido.

La segunda opción es llevar o enviar el producto (con flete pago) a un Centro de servicio propio o autorizado de Black & Decker para su reparación o reemplazo según nuestro criterio. Le pueden solicitar el comprobante de compra. Los Centros de servicio autorizados y de propiedad de Black & Decker se detallan en la sección

"Herramientas eléctricas" (Tools-Electric) de las páginas amarillas de la guía telefónica.

Esta garantía no se extiende a los accesorios. Esta garantía le concede derechos legales específicos; usted puede tener otros derechos que pueden variar según el estado o la provincia. Si tiene alguna pregunta, comuníquese con el gerente del Centro de servicio de Black & Decker de su zona. Este producto no está diseñado para uso comercial.

AMÉRICA LATINA: esta garantía no se aplica a los productos que se venden en América Latina. Para los productos que se venden en América Latina, debe consultar la información de la garantía específica del país que viene en el empaque, llamar a la compañía local o visitar el sitio Web a fin de obtener esa información.

ESPECIFICACIONES

Tensión de alimentación: 120 V~ Potencia nominal: 670W

Frecuencia de operación: 60 Hz Consumo de corriente: 6,0A

**· GARANTÍA BLACK & DECKER · BLACK & DECKER WARRANTY
· SOLAMENTE PARA PROPOSITOS DE MEXICO**

Distributor Name · **Sello firma del distribuidor**

Date of purchase · **Fecha de compra**

Invoice No. · No. de factura

PRODUCT INFORMATION · IDENTIFICACIÓN DEL PRODUCTO

Cat. No. · **Catalogo ó Modelo**

Serial Number · No. de serie

Name · **Nombre**

Last Name · Apellido

Address · **Dirección**

City · **Ciudad**

State · Estado

Postal Code · **Código Postal**

Country · País

Telephone · **No. Teléfono**

ESTA GARANTIA NO APLICA CUANDO:

El producto se hubiese utilizado en condiciones distintas a las normales.

El producto no hubiese sido operado de acuerdo con el instructivo de uso que se acompaña.

El producto hubiese sido alterado o reparado por personas no autorizadas por nosotros.

Importador: Black & Decker S.A. de .C.V

Bosque de Cidros Acceso Radiatas No.42

3ra.Seccion de Bosques de las lomas

C.P.05120, Mexico, D.F. Tel: (01 55) 5326 7100

SOLAMENTE PARA PROPOSITOS DE MEXICO

Grupo Realsa en herramientas, S.A. de C.V.

Súper Manzana 69 MZ.01 Lote 30
(Av. Torcasita)
Col. Puerto Juárez
Cancún, Quintana Roo
Tel. 01 998 884 72 27

Ferre Pat de Puebla, S.A. de C.V.

16 de Septiembre No. 6149
Col. El Cerrito
Puebla, Puebla
Tel. 01 222 264 12 12

Ferre Pat de Puebla, S.A. de C.V.

Ejército Mexicano No. 15
Col. Ejido 1ro. de Mayo
Boca del Rio, Veracruz
Tel. 01 229 167 89 89

Servicio de Fabrica Black & Decker, S.A. de C.V.

Lázaro Cardenas No. 18
Col. Obrera
Distrito Federal
Tel. 55 88 95 02

Representaciones Industriales Robles, S.A. de C.V.

Tezozomoc No. 89
Col. La Preciosa
Distrito Federal
Tel. 55 61 86 82

Gpo. Comercial de Htas. y Refacciones de Occidente, S.A. de C.V.

Av. La Paz No. 1779
Col. Americana, S. Juaréz
Guadalajara, Jalisco
Tel. 01 33 38 25 69 78

Herramientas y Equipos Profesionales

Av. Colón 2915 Ote.
Col. Francisco I. Madero
Monterrey, Nvo. León
Tel. 01 81 83 54 60 06

Htas. Portátiles de Chihuahua, S.A. de C.V.

Av. Universidad No. 2903
Col. Fracc. Universidad
Chihuahua, Chihuahua
Tel. 01 614 413 64 04

Fernando González Armenta

Bolivia No. 605
Col. Felipe Carrillo Puerto
Cd. Madero, Tampico
Tel. 01 833 221 34 50

Perfiles y Herramientas de Morelia

Gertrudis Bocanegra No. 898
Col. Ventura Puente
Morelia, Michoacán
Tel. 01 443 313 85 50

Enrique Robles

Av. de la Solidaridad No. 12713
Col. La Pradera
Irapuato, Guanajuato
Tel. 01 462 626 67 39

Hernández Martínez Jeanette

Prolongación Corregidora Nte. No. 1104
Col. Arboledas
Queretaro, Qro.
Tel. 01 442 245 25 80

PARA OTRAS LOCALIDADES LLAME AL 01 800 847 2309 o 01 800 847 2312.

**Vea "Herramientas
eléctricas (Tools-Electric)"
– Páginas amarillas –
para Servicio y ventas**



**BLACK & DECKER S.A. DE C.V.
BOSQUES DE CIDROS ACCESO RADIATAS NO. 42
COL. BOSQUES DE LAS LOMAS.
05120 MÉXICO, D.F.
TEL. (01 55) 5326 7100
01 800 847 2309/01 800 847 2312**