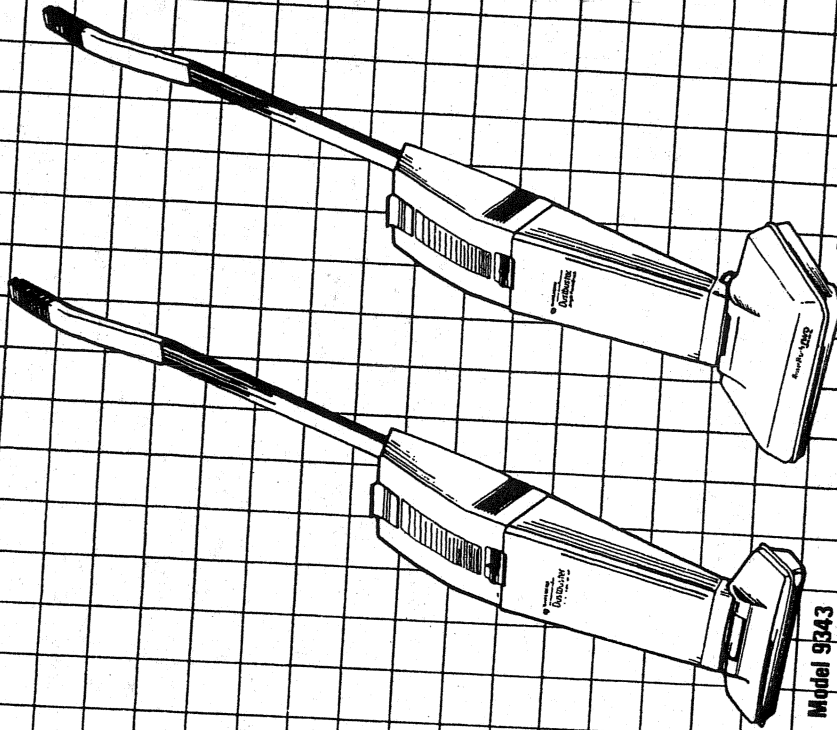




BLACK & DECKER®

Dustbuster® Upright Cordless Vacuum
Model 9343

Dustbuster® Upright Power Brush
Model 9344



Model 9343

Model 9344

Listed by Underwriters Laboratories Inc

Printed in U.S.A.

(FEB88-CO)

SAVE THIS USE AND CARE BOOK

Need Service Or Accessories? (Models 9343 and 9344)

Service, if necessary, must be performed by a Black & Decker (U.S.) Inc. Household Appliance Company-Owned or Authorized Service Center. The Service Center nearest you is listed on a separate sheet in the carton or can be found in the yellow pages of your phone book under "Electric Appliances—Small—Repairing."

If mailing or shipping your Dustbuster® Upright Cordless Vacuum or Dustbuster® Upright Power Brush, pack it carefully in its original carton or any sturdy carton with enough packing material to prevent damage. Include a note describing the problem to our Service Center and be sure to give your return address. We also suggest that you insure the package for your protection.

Consumer-replaceable parts and accessories are also available at Black & Decker (U.S.) Inc. Household Appliance Company-Owned or Authorized Service Centers.

- The charging terminal on the back of either the Dustbuster® Upright Cordless Vacuum or Dustbuster® Upright Power Brush should be kept free and clear of objects. Do not insert any metal objects into the terminal area.
- Unplug the charger from outlet before any routine cleaning or maintenance.
- Do not attempt to service or unclog the unit while it is running.
- Do not attempt to repair the unit yourself. Take it to an authorized service facility.
- Do not put any object into unit openings. Do not use with any openings blocked; keep free of dust, lint, hair, and anything that may reduce air flow.
- The upright vacuums create suction. To avoid bodily injury from the suction, do not place the nozzle or fan area against loose clothing, jewelry, hair, or body, especially eyes, ears, and fingers while the cleaner is operating. Cleaner should not be used to vacuum clothing.
- Do not operate the unit without a filter bag in place. Repair or replace a damaged filter bag promptly.
- Do not operate the unit without belt cover in place.
- This appliance is intended for household use only and not for commercial or industrial use.
- When using the unit don't overreach or stand on unstable support. Use extra caution when cleaning on stairs.
- Maintain unit with care. Keep bowl and fan area clean for best and safest performance. Follow instructions for proper maintenance.
- The upright vacuums contain rechargeable nickel cadmium batteries. Do not incinerate batteries as they will explode at high temperatures.
- Leaks from battery cells can occur under extreme usage or temperature conditions. If the liquid gets on the skin (1) wash quickly with soap and water or (2) neutralize with a mild acid such as lemon juice or vinegar. If the liquid gets into the eyes, flush them immediately with clean water for a minimum of 10 minutes. Seek medical attention. **Note:** The liquid is a 25-35% solution of potassium hydroxide.
- Use only as described in the manual. Use only manufacturer's recommended attachments.

SAVE THESE INSTRUCTIONS

Remove the Power Brush (Model 9344)

Threads, string, carpet fiber, fuzz, etc. can occasionally wrap around the cleaning brush or other nearby parts. Before attempting to clean the brush, be sure the unit is turned off. Unwind the fibers by hand or carefully cut with scissors. If materials become entwined with other parts (such as the belt), the brush should be removed for cleaning. (See instructions below.)

Removal of Belt and Brush

1. Remove the belt cover on the bottom of the Power Brush Floor Tool by inserting a coin in the slot and lifting the cover upward from the brush. (Figure Y)

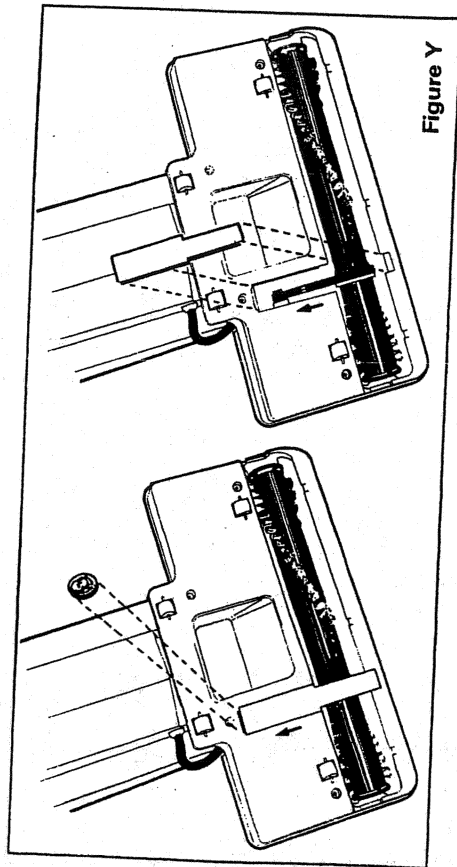


Figure Y

2. Place one finger under the belt and while slowly turning the brush forward, lift the belt off the axle. Now the belt is loosely connected around the brush. (Figure Z)

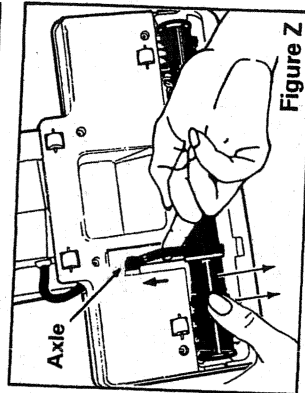


Figure Z

3. To remove the brush, press a screwdriver against one of the flexible tabs on the end of the brush and pull up gently on the belt to pop the brush out. (Figure AA)

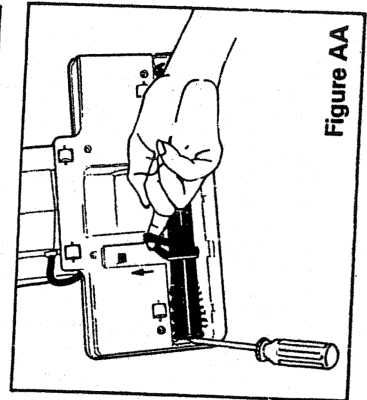
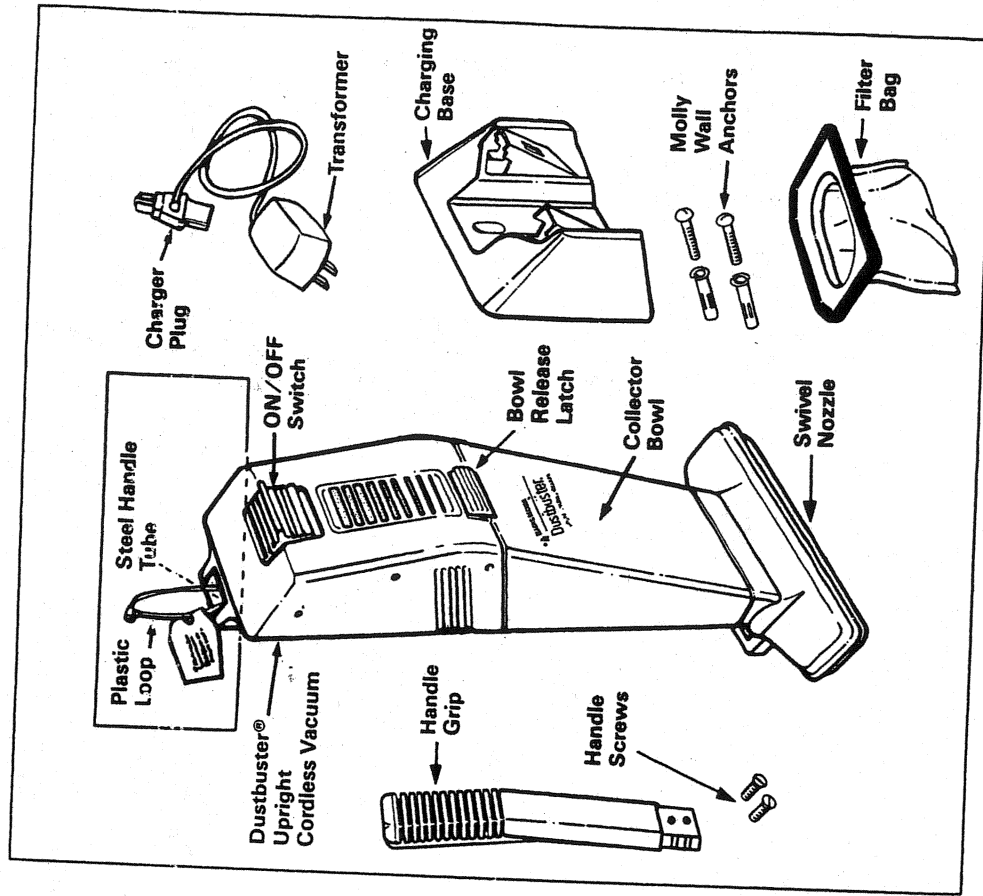


Figure AA

Model 9343



The Dustbuster® Upright Cordless Vacuum provides strong cleaning power for quick, everyday cleanups. It's great for room-at-a-time cleanups on bare floors and low nap carpets and is a convenient complement to your larger vacuum cleaner. It includes a convenient storage/charging base, to keep it handy and ready for frequent use. Special features include a sturdy, one-piece Handle that retracts for compact storage and a Strip Brush for removing clinging particles.

Cleaning Instructions

Dirt Removal And Filter Cleaning (Models 9343 and 9344)

Note: Thorough cleaning of Filter after each use will improve performance.

1. To remove dirt from the Collector Bowl place the unit on a flat surface or rest against a wall.
2. Slide the Release Latch up and using both hands, lift the Collector Bowl away from the unit. (Figure R)
3. Grasp the Filter Bag and remove from the Collector Bowl. (Figure S)
4. Empty dirt from the Collector Bowl.

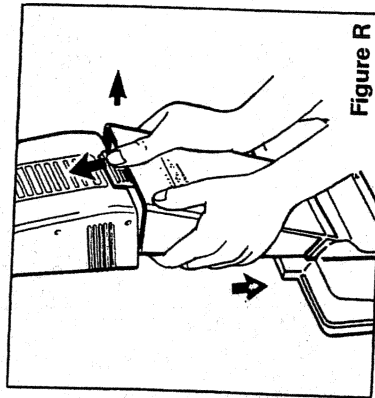


Figure R

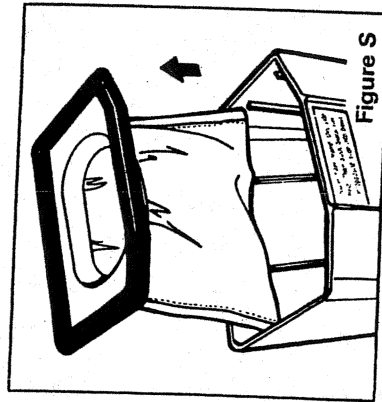


Figure S

5. Cleaning the Filter:

- a. Brush the dust and dirt off the Filter, or
- b. Thoroughly shake the Filter against the inside of a waste can, or
- c. Hand wash the Filter with a mild detergent or dishwashing soap. After washing, put a paper towel into the Filter Bag and squeeze the Filter to remove the retained moisture. Dry Filter before replacing it in the Collector Bowl.

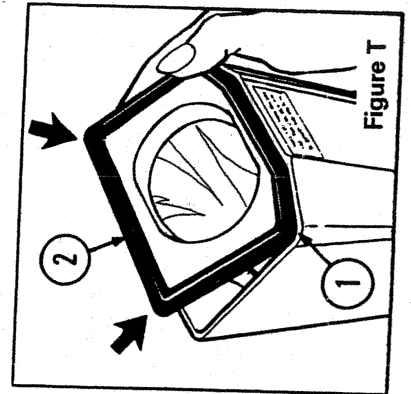


Figure T

6. Replace Filter Bag by inserting side 1 of the black filter frame in Bowl. Then, use thumbs to gently push side 2 of black filter frame into Bowl. (Figure 7)

Assembly Instructions (Models 9343 and 9344)

The only assembly required is attaching the Handle Grip.

1. The Steel Handle Tube assembly comes from the factory with a Plastic Loop attached to it. A tag attached to this Loop states: **TO EXTEND HANDLE PUSH BUTTON ON SIDE AND PULL THIS LOOP. READ USE AND CARE BOOK FOR HANDLE ASSEMBLY.** (Figure A)
2. Do not remove the Plastic Loop until the Steel Handle Tube has been completely extended and locked into position.
3. To extend the Steel Handle depress and hold the Handle Lock with your thumb. (Figure B)
4. While depressing the Handle Lock with one hand, insert two fingers of the other hand into the Loop. (Figure B)
5. Slowly slide the Steel Handle Tube upward until it "clicks," locking it in its fully extended position.

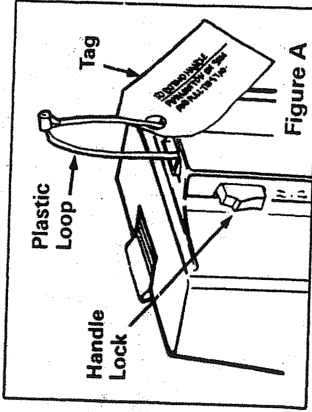


Figure A

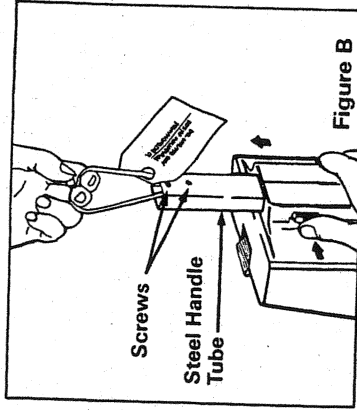


Figure B

Note: Should the Steel Handle Tube slide back inside the unit, take a pointed object, such as a screwdriver, reach inside the unit and catch one of the screw holes. While pressing the Handle Lock located on the back of the unit, slide the Tube out until the "click" indicates it is locked securely. (See Handle Operation, page 11.)

6. Remove and save the two flat head screws that are in the Handle Grip.
7. Cut the Plastic Loop and discard before assembling Handle.
8. Insert the Handle Grip inside the extended Steel Handle Tube, line up the two screw holes on the Handle Grip with the holes in the Steel Handle Tube and tighten the screws. (Figure C)

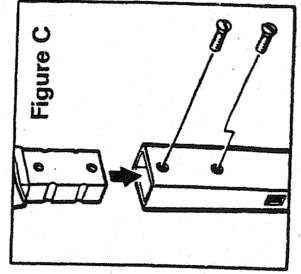
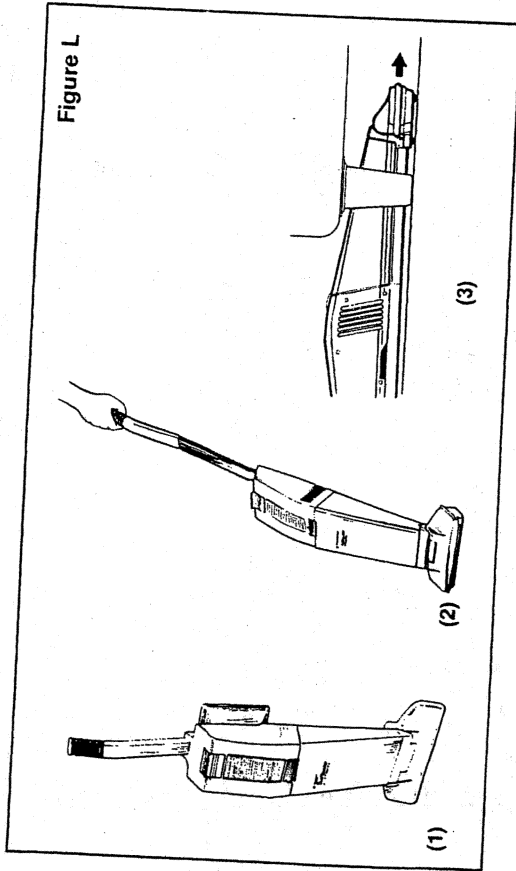


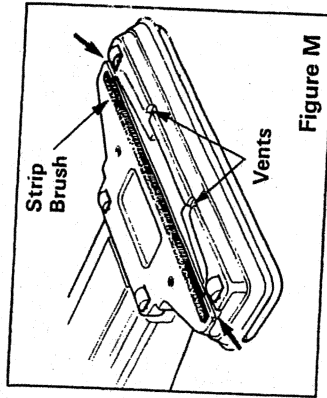
Figure C

Note: Do not pull or push handle in or out of the cordless vac too quickly as damage to the locking mechanism may result.

1. The Nozzle conveniently swivels for wall mounting (1), vacuuming in the normal upright position (2), and for cleaning under furniture (3). (Figure L)

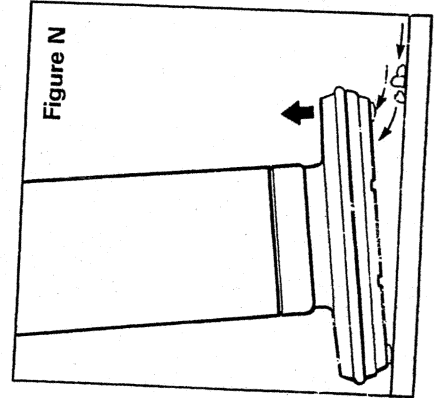


2. Vents on the Nozzle aid in front and side edge cleaning for use along walls, baseboards, and stationary furniture. The Nozzle has four easy-glide wheels and a self-adjusting Strip Brush that picks up stubborn, clinging particles. (Figure M).



3. Use smooth, medium-length back and forth strokes for best cleaning results.

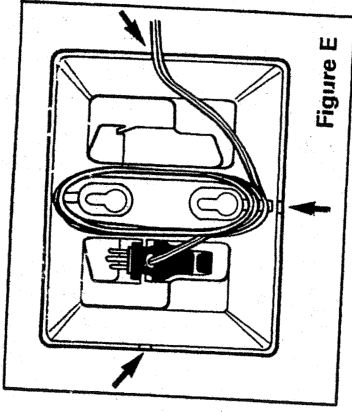
4. For large particle pick-up, employ a lifting technique. (Figure N)



5. For maximum cleaning time, turn the unit off when not actually vacuuming.

6. Be sure to empty dirt from the Collector Bowl and clean the Filter Bag thoroughly after each use to insure maximum cleaning efficiency. (See Dirt Removal and Filter Cleaning, page 14.)

3. The Charger has a 6 ft. cord which allows you to mount the Charging Base at varying distances from any standard electrical outlet. Wrap the excess cord in the cord storage area on the back of the Base. (Figure E) The cord can exit from the storage area at either side or out the bottom.



Using Molly Wall Anchors

1. To mount the Charging Base, first place it against the surface where it is to be mounted and mark the centers for the mounting screws at the small end of the key-slot holes. (Figure F)
2. Drill a 1/4" hole through the center of one of the marks, taking care to avoid any electrical wiring located behind the wall.
3. Gently tap a Molly Wall Anchor into the drilled hole until the cap prongs are imbedded in the wall and the cap is snug against the surface.
4. Turn the screw clockwise, pressing firmly to prevent the Molly Wall Anchor from rotating. As the screw is turned, the Molly Wall Anchor is fully expanded. (A definite increase in resistance will be felt.)
5. Turn the screw counterclockwise out of the wall until approximately 1/8" of the screw is exposed.
6. Before drilling the second hole, check to be sure the marked location is correct. Adjust (if necessary) to within 1/8", drill the second hole, and install the other Molly Wall Anchor.
7. Rest the Base on the screws and slide it into place making sure that the cord exits through one of the cord slots. (Figure G) Tighten screws, if necessary, to hold the Base flush to the mounting surface.

