

18 VOLT JIG SAW

INSTRUCTION MANUAL

Catalog Number FS1800JS

THANK YOU FOR CHOOSING BLACK & DECKER!
GO TO WWW.BLACKANDDECKER.COM/NEWOWNER
TO REGISTER YOUR NEW PRODUCT.

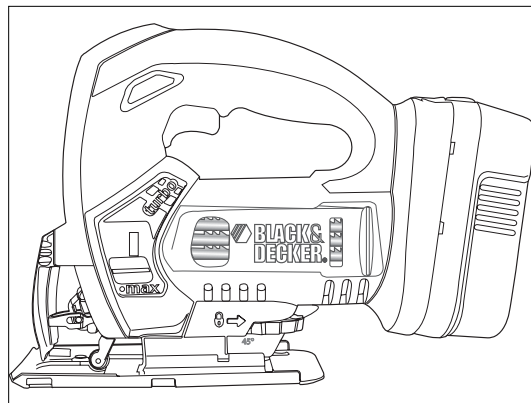
**BEFORE RETURNING THIS PRODUCT
FOR ANY REASON PLEASE CALL
1-800-544-6986**

BEFORE YOU CALL, HAVE THE CATALOG No. AND DATE CODE AVAILABLE. IN MOST CASES, A BLACK & DECKER REPRESENTATIVE CAN RESOLVE THE PROBLEM OVER THE PHONE. IF YOU HAVE A SUGGESTION OR COMMENT, GIVE US A CALL. YOUR FEEDBACK IS VITAL TO BLACK & DECKER.

SAVE THIS MANUAL FOR FUTURE REFERENCE.

VEA EL ESPAÑOL EN LA CONTRAPORTADA.

INSTRUCTIVO DE OPERACIÓN, CENTROS DE SERVICIO Y PÓLIZA DE GARANTÍA. ADVERTENCIA: LEÁSE ESTE INSTRUCTIVO ANTES DE USAR EL PRODUCTO.



Cat #. FS1800JS
Copyright © 2006 Black & Decker

Form # 5146961-03 Rev. 1

(JUN. 06)
Printed in China

GENERAL SAFETY RULES - FOR ALL BATTERY OPERATED TOOLS

WARNING! READ AND UNDERSTAND ALL INSTRUCTIONS. Failure to follow all instructions listed below, may result in electric shock, fire and/or serious personal injury.

SAVE THESE INSTRUCTIONS

Work Area

- **Keep your work area clean and well lit.** Cluttered benches and dark areas invite accidents.
- **Do not operate power tools in explosive atmospheres, such as in the presence of flammable liquids, gases, or dust.** Power tools create sparks which may ignite the dust or fumes.
- **Keep bystanders, children, and visitors away while operating a power tool.** Distractions can cause you to lose control.

Electrical Safety

- **Do not abuse the cord. Never use the cord to carry the tool. Keep cord away from heat, oil, sharp edges or moving parts. Replace damaged cords immediately.** Damaged cords may create a fire.
- **A battery operated tool with integral batteries or a separate battery pack must be recharged only with the specified charger for the battery.** A charger that may be suitable for one type of battery may create a risk of fire when used with another battery.
- **Use battery operated tool only with specifically designated battery pack.** Use of any other batteries may create a risk of fire.

Personal Safety

- **Stay alert, watch what you are doing and use common sense when operating a power tool. Do not use tool while tired or under the influence of drugs, alcohol, or medication.** A moment of inattention while operating power tools may result in serious personal injury.
- **Dress properly. Do not wear loose clothing or jewelry. Contain long hair. Keep your hair, clothing, and gloves away from moving parts.** Loose clothing, jewelry, or long hair can be caught in moving parts. Air vents cover moving parts and should be avoided.
- **Avoid accidental starting. Be sure switch is in the locked or off position before inserting battery pack.** Carrying tools with your finger on the switch or inserting the battery pack into a tool with the switch on invites accidents.
- **Remove adjusting keys or wrenches before turning the tool on.** A wrench or key that is left attached to a rotating part of the tool may result in personal injury.
- **Do not overreach. Keep proper footing and balance at all times.** Proper footing and balance enables better control of the tool in unexpected situations.
- **Use safety equipment. Always wear eye protection.** Dust mask, non-skid safety shoes, hard hat, or hearing protection must be used for appropriate conditions.

Tool Use and Care

- **Use clamps or other practical way to secure and support the workpiece to a stable platform.** Holding the work by hand or against your body is unstable and may lead to loss of control.
- **Do not force tool. Use the correct tool for your application.** The correct tool will do the job better and safer at the rate for which it is designed.
- **Do not use tool if switch does not turn it on or off.** A tool that cannot be controlled with the switch is dangerous and must be repaired.
- **Disconnect battery pack from tool or place the switch in the locked or off position before making any adjustments, changing accessories, or storing the tool.** Such preventative safety measures reduce the risk of starting the tool accidentally.
- **Store idle tools out of reach of children and other untrained persons.** Tools are dangerous in the hands of untrained users.
- **When battery pack is not in use, keep it away from other metal objects like: paper clips, coins, keys, nails, screws or other small metal objects that can make a connection from one terminal to another.** Shorting the battery terminals together may cause sparks, burns, or a fire.
- **Maintain tools with care. Keep cutting tools sharp and clean.** Properly maintained tools, with sharp cutting edge are less likely to bind and are easier to control with sharp.
- **Check for misalignment or binding of moving parts, breakage of parts, and any other condition that may affect the tool's operation. If damaged, have the tool serviced before using.** Many accidents are caused by poorly maintained tools.

- **Use only accessories that are recommended by the manufacturer for your model.** Accessories that may be suitable for one tool may create a risk of injury when used on another tool.

Service

- **Tool service must be performed only by qualified repair personnel.** Service or maintenance performed by unqualified personnel could result in a risk of injury.
- **When servicing a tool, use only identical replacement parts. Follow instructions in the Maintenance section of this manual.** Use of unauthorized parts or failure to follow Maintenance Instructions may create a risk of electric shock or injury.

Specific Safety Rules

- **Hold tool by insulated gripping surfaces when performing an operation where the cutting tool may contact hidden wiring or its own cord.** Contact with a "live" wire will make exposed metal parts of the tool "live" and shock the operator.
- **When working on a ladder or on scaffolding be sure to lay the tool down on its side when not in use.** Some tools with large battery packs will stand upright but may be easily knocked over.
- **Keep hands away from cutting area.** Never reach underneath the material for any reason. Do not insert fingers or thumb into the vicinity of the reciprocating blade and blade clamp. Do not stabilize the saw by gripping the shoe.
- **Keep blades sharp.** Dull blades may cause the saw to swerve or stall under pressure.
- **When cutting pipe or conduit ensure that they are free from water, electrical wiring, etc.**
- **WARNING: Some dust created by power sanding, sawing, grinding, drilling, and other construction activities contains chemicals known to cause cancer, birth defects or other reproductive harm. Some examples of these chemicals are:**
 - lead from lead-based paints,
 - crystalline silica from bricks and cement and other masonry products, and
 - arsenic and chromium from chemically-treated lumber (CCA).

Your risk from these exposures varies, depending on how often you do this type of work. To reduce your exposure to these chemicals: work in a well ventilated area, and work with approved safety equipment, such as those dust masks that are specially designed to filter out microscopic particles.
- **CAUTION: Wear appropriate hearing protection during use.** Under some conditions and duration of use, noise from this product may contribute to hearing loss.
- **Avoid prolonged contact with dust from power sanding, sawing, grinding, drilling, and other construction activities. Wear protective clothing and wash exposed areas with soap and water.** Allowing dust to get into your mouth, eyes, or lay on the skin may promote absorption of harmful chemicals.

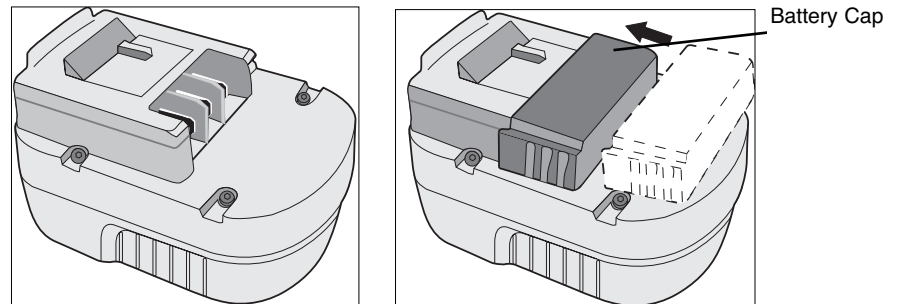
WARNING: Use of this tool can generate and/or disperse dust, which may cause serious and permanent respiratory or other injury. Always use NIOSH/OSHA approved respiratory protection appropriate for the dust exposure. Direct particles away from face and body.

The label on your tool may include the following symbols.

V	volts	A	amperes
Hz	hertz	W	watts
min	minutes	~	alternating current
— — —	direct current	n _o	no load speed
□	Class II Construction	⊕	earthing terminal
⚠	safety alert symbol	.../min	revolutions or reciprocations per minute

Battery Cap Information

Battery storage and carrying caps are provided for use whenever the battery is out of the tool or charger. Remove cap before placing battery in charger or tool.



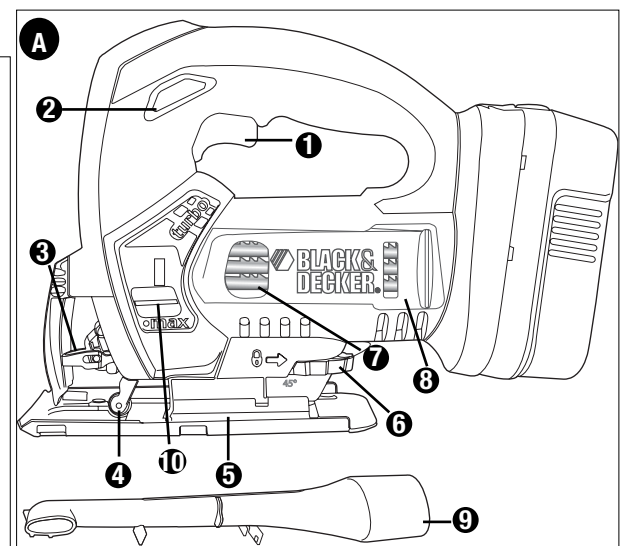
WARNING: Do not store or carry battery so that metal objects can contact exposed battery terminals. For example, do not place battery in aprons, pockets, tool boxes, product kit boxes, drawers, etc. with loose nails, screws, keys, etc. without battery cap. Transporting batteries can possibly cause fires if the battery terminals inadvertently come in contact with conductive materials such as keys, coins, hand tools and the like. The US Department of Transportation Hazardous Material Regulations (HMR) actually prohibit transporting batteries in commerce or on airplanes (i.e. packed in suitcases and carryon luggage) UNLESS they are properly protected from short circuits. So when transporting individual batteries, make sure that the battery terminals are protected and well insulated from materials that could contact them and cause a short circuit.

Features - Fig. A

1. Variable speed switch
2. Lock-on button
3. Saw blade locking lever
4. Saw blade support roller
5. Shoe plate
6. Shoe plate locking knob
7. Saw blade
8. Saw blade storage compartment
9. Dust extraction adaptor
10. Orbital action "Turbo" selector

Composants - Fig. A

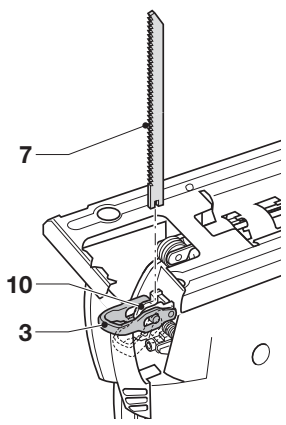
1. Interrupteur à vitesse variable
2. Bouton de verrouillage en position de marche
3. Levier de verrouillage de la lame de scie
4. Galet de support de la lame de scie
5. Bouton de verrouillage de la plaque du patin
6. Bouton de verrouillage de la plaque du patin
7. Lame de scie
8. Compartiment de rangement de la lame
9. Adaptateur du tube d'aspiration
10. Sélecteur turbo de mouvement orbital



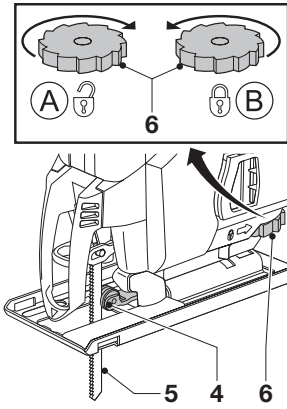
Características - Fig. A

1. Interruptor de velocidad variable
2. Botón de funcionamiento continuo
3. Palanca de bloqueo de la hoja de sierra
4. Rodillo de apoyo de la hoja
5. Platina
6. Perilla de bloqueo de la platina
7. Hoja de sierra
8. Compartimento de almacenaje de las hojas de sierra
9. Adaptador para la extracción de polvo
10. Selector de acción orbital "Turbo"

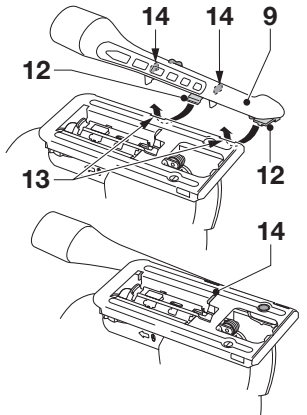
1



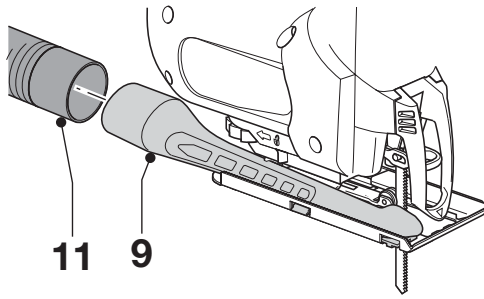
2



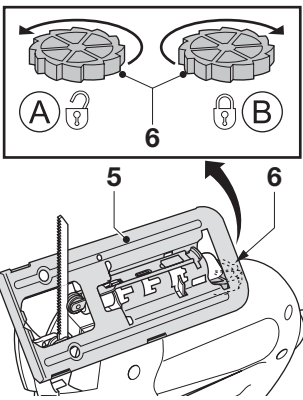
3



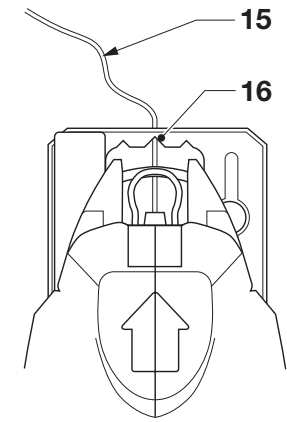
4



5



6



IMPORTANT SAFETY INSTRUCTIONS

- **SAVE THESE INSTRUCTIONS.**
- Before using charger, read and understand all instructions and cautionary markings on (1) charger, (2) battery pack, and (3) product using battery pack.
- ⚠ **DANGER:** 120 volts present at charging terminals. Do not probe with conductive objects. Danger of electric shock or electrocution.
- ⚠ **DANGER:** If battery pack case is cracked or damaged, do not insert into charger. Danger of electric shock or electrocution.
- ⚠ **DANGER:** Never attempt to open the battery pack for any reason. If the plastic housing of the battery pack breaks or cracks, return to a service center for recycling.
- ⚠ **WARNING:** Don't allow any liquid to get inside charger. Electric shock may result.
- ⚠ **CAUTION:** To reduce risk of injury, charge only Black & Decker rechargeable batteries. Other types of batteries may burst, causing personal injury and damage.
- To facilitate the cooling of the battery pack after use, avoid placing the charger or battery pack in a warm environment such as in a metal shed, or an uninsulated trailer.
- Do not expose charger to rain or snow.
- Use of an attachment not recommended or sold by Black & Decker may result in risk of fire, electric shock, or injury to persons.
- This charger is not intended for any uses other than charging Black & Decker rechargeable batteries. Any other uses may result in risk of fire, electric shock or electrocution.
- To reduce risk of damage to electric plug and cord, pull by plug rather than cord when disconnecting charger.
- Make sure cord is located so that it will not be stepped on, tripped over, or otherwise subjected to damage or stress.
- An extension cord should not be used unless absolutely necessary. Use of improper extension cord could result in risk of fire, electric shock, or electrocution. If an extension cord must be used, make sure:
 - That the pins on plug of extension cord are the same number, size and shape of those of plug on charger.
 - That extension cord is properly wired and in good electrical condition and the wire size is large enough for AC ampere rating of charger as specified below.

An extension cord must have adequate wire size (AWG or American Wire Gauge) for safety. The smaller the gauge number of the wire, the greater the capacity of the cable, that is, 16 gauge has more capacity than 18 gauge. When using more than one extension to make up the total length, be sure each individual extension contains at least the minimum wire size.

RECOMMENDED MINIMUM AWG SIZE FOR EXTENSION CORDS

TOTAL EXTENSION CORD LENGTH (FEET)	25	50	75	100	125	150	175
WIRE GAUGE	18	18	16	16	14	14	12

- The charger is ventilated through slots in the housing. Do not place any object on top of charger or place the charger on a soft surface that might block the ventilation slots and result in excessive internal heat. Place the charger in a position away from any heat source.
- Do not operate charger with damaged cord or plug — have them replaced immediately.
- Do not operate charger if it has received a sharp blow, been dropped, or otherwise damaged in any way; take it to an authorized service center.
- Do not disassemble charger; take it to an authorized service center when service or repair is required. Incorrect reassembly may result in risk of electric shock, electrocution or fire.
- The charger is designed to operate on standard 120 VAC, 60Hz household electrical power. Do not attempt to use it on any other voltage.
- To reduce risk of electric shock, unplug charger from outlet before attempting any cleaning. Removing the battery pack will not reduce this risk.
- NEVER attempt to connect 2 chargers together.
- DO NOT store or use the tool and battery pack in locations where the temperature may reach or exceed 105°F (such as outside sheds or metal buildings in summer).
- A small leakage of liquid from the battery cells may occur under extreme usage, charging or temperature conditions. This does not indicate a failure. However, if the outer seal is broken and this leakage gets on your skin:
 - a. Wash quickly with soap and water.
 - b. Neutralize with a mild acid such as lemon juice or vinegar.
 - c. If the battery liquid gets in your eyes, flush them with clean water for a minimum of 10 minutes and seek immediate medical attention. **MEDICAL NOTE:** The liquid is a 25-35% solution of potassium hydroxide.

SAVE THESE INSTRUCTIONS

FS1800JS tool can accept any of the following 18V slide pack batteries and 18V slide pack chargers seen in the chart below. Please see the individual charger manuals for all safety and operating instructions.

18V Slide Pack Batteries		18V Slide Pack Chargers	
Cat. #	Description	Cat. #	Description
FSB18	18V Firestorm Battery	FS18C	18V Cup Charger
FS180BX	18V FSXtreme Battery	FS180DC	18V Dual Port Charger
FS18BX	18V FSXtreme Battery - 3 terminal	FS18RC	18V Radio Charger
FS18SBX	18V FSXtreme Battery - Silver Series	5104211-00	18V Three Port Charger
HPB18	18V Black & Decker Battery	FSMVC	9.6V-18V Fast Charger
		FS240FC	9.6V-24V One Hour Charger
		FS2400DC	9.6V-24V Dual Port One Hour Charger

IMPORTANT CHARGING NOTES

1. Longest life and best performance can be obtained if the battery pack is charged when the air temperature is between 65°F and 75°F (18° - 24°C). DO NOT charge the battery pack in an air temperature below +40°F(+4.5°C), or above +105°F (+40.5°C). This is important and will prevent serious damage to the battery pack.
2. The charger and battery pack may become warm to touch while charging. This is a normal condition, and does not indicate a problem.
3. If the battery pack does not charge properly — (1) Check power at receptacle by plugging in a lamp or other appliance. (2) Check to see if receptacle is connected to a light switch which turns power off when you turn out the lights. (3) Move charger and battery pack to a location where the surrounding air temperature is approximately 65°F - 75°F (18° - 24°C). (4) If charging problems persist, take or send the tool, battery pack and charger to your local service center.
4. The battery pack should be recharged when it does not produce sufficient power on jobs which were easily done previously. DO NOT CONTINUE use under these conditions. Follow the charging procedures. You may also charge a partially used pack whenever you desire with no adverse affect on the battery pack.
5. Black & Decker battery packs that are labeled "NiMH" should only be used with chargers labeled "NiMH" or "NiCd/NiMH."
6. Under certain conditions, with the charger plugged into the power supply, the exposed charging contacts inside the charger can be shorted by foreign material. Foreign materials of a conductive nature such as, but not limited to, steel wool, aluminum foil, or any buildup of metallic particles should be kept away from charger cavities. Always unplug the charger from the power supply when there is no battery pack in the cavity. Unplug charger before attempting to clean.
7. Do not immerse charger in water or any other liquid.
8. This power unit is intended to be correctly orientated in a vertical or floor mounted position.

ASSEMBLY

⚠ **WARNING:** Before attempting any of the following operations, make sure that the saw blade has stopped, and the battery is removed. Used saw blades can be hot.

Fitting the saw blade (fig. 1)

- Hold the saw blade (7) as shown, with teeth facing forward.
- Push the lever (3) downwards.
- Insert the shank of the saw blade into the blade holder (10) as far as it will go.
- Release the lever.
- Adjust the blade support roller as described below.

Adjusting the blade support roller (fig. 2)

- After fitting the blade, you need to adjust the blade support roller (4).
- Turn the locking knob (6) in direction **A**.
- Slide the blade support roller against the rear of the blade. The blade must locate in the central recess of the roller.
- Turn the locking knob (6) in direction **B** to lock the shoe plate in place.

Connecting a vacuum cleaner to the tool (fig. 3 & 4)

- Align the dust extraction adaptor (9) with the saw shoe as shown.
 - Insert the ribs (12) into the slots (13).
 - Rotate the adaptor until it locks into position. Make sure that the ribs (14) are correctly seated.
 - Connect the vacuum cleaner hose (11)(not supplied) to the adaptor.
- Dust extraction is not possible when making bevel cuts.

USE

⚠ **WARNING:** Never use the tool when the saw shoe is loose or removed.

Adjusting the shoe plate for bevel cuts (fig. 5)

- The shoe plate can be set to a left or right bevel angle of up to 45°.
- Turn the locking knob (6) in direction **A** to release the shoe plate (5).
- Pull the shoe plate (5) backwards and set it to the required angle. You can use the scale or a protractor to check the angle.
- Turn the locking knob (6) in direction **B** to lock the shoe plate in place.
- To reset the shoe plate for straight cuts:
 - Turn the locking knob (6) in direction **A** to release the shoe plate (5).
 - Pull the shoe plate backwards and set it to an angle of approximately 0°.
 - Push the shoe plate forward.
 - Turn the locking knob (6) in direction **B** to lock the shoe plate in place. Make sure that the shoe plate is supported by the guide ribs.

Switching On and Off

- To switch the tool on, press the variable speed switch (1). The tool speed depends on how far you depress the switch.
- For continuous operation, press the lock-on button (2) and release the variable speed switch. This option is available only at full speed.
- To switch the tool off, release the variable speed switch. To switch the tool off, when in continuous operation, press the variable speed switch once more and release it.

How to Use the Sightline® Feature (fig. 6)

- Use a pencil to mark the cutting line.
 - Position the jigsaw over the line (15).
- Viewing from directly above the jigsaw the line of cut can be easily followed. Should this view be restricted for any reason, the indent (16) can be used as an alternate cutting guide.

Orbital Action Turbo Selector

- For fast and efficient straight cuts in wood, set the turbo orbital action selector (10) to "max".
 - For accurate straight and curve cutting and a smooth surface finish, set the turbo selector (10) to "min".
 - The turbo orbital action selector (10) can also be set to the middle position between "max" and "min" for a moderate speed of cut and finish.
- Note:** Orbital Action not recommended when scrolling.

HINTS FOR OPTIMUM USE

General

- Use a high speed for wood, a medium speed for aluminum and PVC and a low speed for metals other than aluminum.

Sawing laminates

- As the saw blade cuts on the upward stroke, splintering may occur on the surface closest to the shoe plate.
- Use a fine-tooth saw blade.
- Saw from the back surface of the workpiece.
- To minimize splintering, clamp a piece of scrap wood or hardboard to both sides of the workpiece and saw through this sandwich.

Sawing metal

- Be aware that sawing metal takes much more time than sawing wood.
- Use a saw blade suitable for sawing metal.
- When cutting thin metal, clamp a piece of scrap wood to the back surface of the workpiece and cut through this sandwich.
- Spread a film of oil along the intended line of cut.

⚠ **CAUTION:** Do not use vacuum adapter when cutting metal. Metal filings will be hot and may cause a fire.

Troubleshooting

Problem	Possible Cause	Possible Solution
• Unit will not start.	• Battery not installed properly. • Battery not charged.	• Check battery installation. • Check battery charging requirements.
• Battery will not charge.	• Battery not inserted into charger. • Charger not plugged in.	• Insert battery into charger until red LED appears. • Plug charger into a working outlet. Refer to "Important Charging Notes" for more details.

For assistance with your product, visit our website www.blackanddecker.com for the location of the service center nearest you or call the BLACK & DECKER help line at 1-800-544-6986.

Maintenance

Use only mild soap and damp cloth to clean the tool. Never let any liquid get inside the tool; never immerse any part of the tool into a liquid.

IMPORTANT: To assure product SAFETY and RELIABILITY, repairs, maintenance and adjustment (other than those listed in this manual) should be performed by authorized service centers or other qualified service organizations, always using identical replacement parts.

The RBRC™ Seal

The RBRC™ (Rechargeable Battery Recycling Corporation) Seal on the nickel-cadmium battery (or battery pack) indicates that the costs to recycle the battery (or battery pack) at the end of its useful life have already been paid by Black & Decker. In some areas, it is illegal to place spent nickel-cadmium batteries in the trash or municipal solid waste stream and the RBRC program provides an environmentally conscious alternative.

RBRC in cooperation with Black & Decker and other battery users, has established programs in the United States and Canada to facilitate the collection of spent nickel-cadmium batteries. Help protect our environment and conserve natural resources by returning the spent nickel-cadmium battery to an authorized Black & Decker service center or to your local retailer for recycling. You may also contact your local recycling center for information on where to drop off the spent battery, or call **1-800-8-BATTERY**.



Accessories

Recommended accessories for use with your tool are available from your local dealer or authorized service center. If you need assistance regarding accessories, please call: **1-800-54-HOW-TO (544-6986)**.

⚠ WARNING: The use of any accessory not recommended for use with this tool could be hazardous.

Service Information

All Black & Decker Service Centers are staffed with trained personnel to provide customers with efficient and reliable power tool service. Whether you need technical advice, repair, or genuine factory replacement parts, contact the Black & Decker location nearest you. To find your local service location, refer to the yellow page directory under "Tools—Electric" or call: **1-800-544-6986 or visit www.blackanddecker.com**

Full Two-Year Home Use Warranty

Black & Decker (U.S.) Inc. warrants this product for two years against any defects in material or workmanship. The defective product will be replaced or repaired at no charge in either of two ways.

The first, which will result in exchanges only, is to return the product to the retailer from whom it was purchased (provided that the store is a participating retailer). Returns should be made within the time period of the retailer's policy for exchanges (usually 30 to 90 days after the sale). Proof of purchase may be required. Please check with the retailer for their specific return policy regarding returns that are beyond the time set for exchanges.

The second option is to take or send the product (prepaid) to a Black & Decker owned or authorized Service Center for repair or replacement at our option. Proof of purchase may be required. Black & Decker owned and authorized Service Centers are listed under "Tools-Electric" in the yellow pages of the phone directory.

This warranty does not apply to accessories. This warranty gives you specific legal rights and you may have other rights which vary from state to state or province to province. Should you have any questions, contact the manager of your nearest Black & Decker Service Center. This product is not intended for commercial use.

Free warning label replacement: If your warning labels become illegible or are missing, call **1-800-544-6986** for a free replacement.

Special Warranty Note to Contractors:

FIRESTORM™ branded products are offered as high end consumer home use tools and carry a **HOME USE WARRANTY**. These tools are designed, manufactured and tested to meet or exceed the needs of the do-it-yourselfer in the execution of projects and repairs in and around the home. With proper use they will provide the home owner with step up power and performance well beyond their two year warranty. However, if you use tools for a living and use FIRESTORM™ branded products or any of Black & Decker's other Consumer Home Use tools **ON THE JOBSITE** you should know that they **CANNOT BE COVERED UNDER OUR WARRANTY**.

Imported by
Black & Decker (U.S.) Inc.,
701 E. Joppa Rd.
Towson, MD 21286 U.S.A.



See 'Tools-Electric'
- Yellow Pages -
for Service & Sales



**MERCI D'AVOIR CHOISI BLACK & DECKER!
VISITEZ WWW.BLACKANDDECKER.COM/NEWOWNER
POUR ENREGISTRER VOTRE NOUVEAU PRODUIT.**

**AVANT DE RETOURNER CE PRODUIT POUR QUELQUE
RAISON QUE CE SOIT, COMPOSER LE NUMÉRO
SUIVANT : 1 800 544-6986**

⚠ RÈGLES DE SÉCURITÉ CONCERNANT LES OUTILS À PILE – GÉNÉRALITÉS

⚠ AVERTISSEMENT! LIRE, COMPRENDRE ET SUIVRE TOUTES LES DIRECTIVES précisées ci-dessous, y compris les consignes de sécurité, afin d'éviter les risques de choc électrique, d'incendie ou de blessure grave.

CONSERVER CES DIRECTIVES

Zone de travail

- **Garder la zone de travail propre et bien éclairée;** les établis encombrés et les endroits sombres sont propices aux accidents.
- **Ne pas utiliser les outils électriques dans une atmosphère explosive, comme à proximité de liquides, de gaz ou de poussières inflammables;** le moteur peut créer des étincelles et enflammer les vapeurs ou les poussières environnantes.
- **Tenir les enfants, les visiteurs ou toute autre personne éloignés lorsqu'on utilise un outil électrique;** les distractions peuvent faire perdre la maîtrise de ce dernier.

Mesures de sécurité relatives à l'électricité

- **Ne pas utiliser le cordon de manière abusive, ni transporter l'outil en le tenant par le cordon. On doit tenir le cordon éloigné des sources de chaleur, de l'huile, des bords tranchants ou des pièces mobiles. Remplacer immédiatement les cordons endommagés,** car ces derniers augmentent les risques d'incendie.
- **Un outil à piles intégrées ou à bloc-pile externe doit être rechargé seulement au moyen du chargeur approprié,** car un chargeur destiné à une pile particulière pourrait entraîner un risque d'incendie lorsqu'il est utilisé avec une autre.

- **N'utiliser l'outil à piles qu'avec le bloc-pile désigné,** car l'utilisation d'un autre type de piles peut entraîner un risque d'incendie.

Sécurité personnelle

- **Rester vigilant en tout temps et faire preuve de jugement lorsqu'on utilise un outil électrique; ne pas utiliser l'outil lorsqu'on est fatigué ou sous l'influence de drogues, d'alcool ou de médicaments,** car un moment d'inattention pourrait entraîner des blessures graves.
- **Porter des vêtements appropriés; ne pas porter de vêtements amples ni de bijoux. Couvrir ou attacher les cheveux longs. Garder les cheveux, les vêtements, les bijoux et les gants éloignés des pièces mobiles, car ceux-ci peuvent s'y coincer.** Se tenir éloigné des événements puisque ces derniers pourraient camoufler des pièces mobiles.
- **Éviter les démarrages accidentels; s'assurer que l'interrupteur est en position de verrouillage ou d'arrêt avant d'insérer un bloc-pile dans l'outil.** Ne pas transporter l'outil en laissant le doigt sur l'interrupteur ni y insérer un bloc-pile lorsque l'interrupteur est en position de marche, car cela pourrait causer un accident.
- **Retirer les clés de réglage avant de démarrer l'outil;** une clé laissée sur une pièce rotative pourrait entraîner des blessures.
- **Ne pas trop étendre les bras; les pieds doivent rester ancrés fermement** au sol afin de maintenir son équilibre en tout temps et de mieux maîtriser l'outil dans des situations imprévues.
- **Utiliser le matériel de sécurité approprié; toujours porter des lunettes de protection.** Porter un masque anti-poussières, des chaussures antidérapantes, un casque de sécurité ou des protecteurs auditifs lorsque la situation le requiert.

Utilisation et entretien de l'outil

- **Fixer et soutenir la pièce sur une plate-forme stable au moyen d'une butée fixe ou de tout autre dispositif semblable;** la pièce est instable lorsqu'on la retient manuellement ou qu'on l'appuie contre le corps, ce qui pourrait faire perdre la maîtrise de l'outil.
- **Ne pas forcer l'outil ni l'utiliser pour des travaux autres que ceux pour lesquels il a été conçu.** Pour obtenir de meilleurs résultats et prévenir les risques de blessure, laisser l'outil couper à la vitesse pour laquelle il a été conçu.
- **Ne pas utiliser l'outil lorsque l'interrupteur marche-arrêt ne fonctionne pas;** tout outil qui ne peut être commandé au moyen de l'interrupteur est dangereux et doit être réparé.
- **Débrancher le bloc-pile de l'outil ou mettre l'interrupteur en position de verrouillage ou d'arrêt avant d'effectuer un réglage, de changer les accessoires ou de ranger l'outil;** ces mesures de sécurité préventives réduisent les risques de démarrage accidentel.
- **Lorsqu'on n'utilise pas l'outil, le ranger hors de la portée des enfants ou des personnes non qualifiées;** les outils sont dangereux entre les mains de personnes inexpérimentées.
- **Lorsqu'on n'utilise pas le bloc-pile, le ranger à l'écart des objets métalliques tels que les trombones, les pièces de monnaie, les clés, les clous, les vis ou autres petits objets susceptibles de conduire l'électricité entre les bornes et d'occasionner ainsi un court-circuit pouvant provoquer des étincelles, des brûlures ou un incendie.**
- **Bien entretenir l'outil et s'assurer qu'il est toujours bien propre et aiguisé;** les outils bien entretenus et dont les bords sont bien tranchants sont moins susceptibles de rester coincés et sont plus faciles à maîtriser.
- **Vérifier les pièces mobiles afin de s'assurer qu'elles sont bien alignées et qu'elles ne restent pas coincées;** vérifier également les pièces afin de s'assurer qu'il n'y a ni bris ni aucune autre condition susceptible de nuire au bon fonctionnement de l'outil; faire réparer l'outil si ce dernier est endommagé avant de s'en servir à nouveau, car les accidents sont souvent causés par des outils mal entretenus.
- **N'utiliser que les accessoires recommandés par le fabricant pour le modèle en question;** un accessoire destiné à un outil particulier peut devenir dangereux lorsqu'il est utilisé avec un autre.

Entretien

- **L'outil doit être entretenu ou réparé par le personnel qualifié seulement;** toute maintenance effectuée par une personne non qualifiée pourrait entraîner des risques de blessure.
- **Lors de l'entretien de l'outil, utiliser seulement des pièces de rechange identiques. Respecter les consignes relatives à l'entretien du présent guide d'utilisation.** Il y a un risque de secousses électriques ou de blessures lorsqu'on utilise des pièces non autorisées ou lorsqu'on ne respecte pas les consignes relatives à l'entretien.

Consignes de sécurité particulières

- **Tenir l'outil par les surfaces isolées prévues à cette fin lorsqu'il risque d'entrer en contact avec des fils cachés ou le cordon,** car de tels contacts peuvent mettre les pièces métalliques de l'outil sous tension, engendrant des risques de choc électrique.
- **Lorsqu'on est installé sur une échelle ou un échafaudage pour travailler, on doit déposer l'outil sur le côté lorsqu'on ne s'en sert plus.** Bien que certains outils munis d'un gros bloc-pile puissent être placés à la verticale, dans cette position, ils peuvent facilement être renversés.
- **Garder les mains éloignées** des zones de coupe. Ne pas mettre les mains sous la pièce pour quelque raison que ce soit. Saisir la section profilée à l'avant de l'outil. Ne pas mettre les doigts ou le pouce près de la lame à va-et-vient ni de sa bride de serrage. Ne pas stabiliser la scie en saisissant le patin.
- **Maintenir les lames bien aiguisées en tout temps;** les lames usées peuvent faire dévier la scie ou faire caler le moteur lorsqu'on exerce une pression sur l'outil.
- **Lorsqu'on coupe des tuyaux ou des conduits,** on doit s'assurer qu'ils ne renferment pas d'eau ni de fil électrique, etc.

⚠ AVERTISSEMENT : certains outils électriques, tels que les sableuses, les scies, les meules, les perceuses ou certains autres outils de construction, peuvent produire de la poussière contenant des produits chimiques susceptibles d'entraîner le cancer, des malformations congénitales ou pouvant être nocifs pour le système reproductif. Parmi ces produits chimiques, on retrouve :

- le plomb dans les peintures à base de plomb,
- la silice cristalline dans les briques et le ciment et autres produits de maçonnerie,
- l'arsenic et le chrome dans le bois de sciage ayant subi un traitement chimique (comme l'arséniate de cuivre et de chrome).

Le risque associé à de telles expositions varie selon la fréquence avec laquelle on effectue ces travaux. Pour réduire l'exposition à de tels produits, il faut travailler dans un endroit bien aéré et utiliser le matériel de sécurité approprié, tel un masque anti-poussières spécialement conçu pour filtrer les particules microscopiques.

- **Éviter tout contact prolongé avec la poussière soulevée par cet outil ou autres outils électriques. Porter des vêtements de protection et nettoyer les parties exposées du corps avec de l'eau savonneuse.** S'assurer de bien se protéger afin d'éviter d'absorber par la bouche, les yeux ou la peau des produits chimiques nocifs.

⚠ MISE EN GARDE : Porter un appareil de protection personnel anti-bruit approprié durant l'utilisation. Sous certaines conditions et pendant toute la durée de l'utilisation, le bruit émanant de ce produit pourrait contribuer à la perte d'audition.

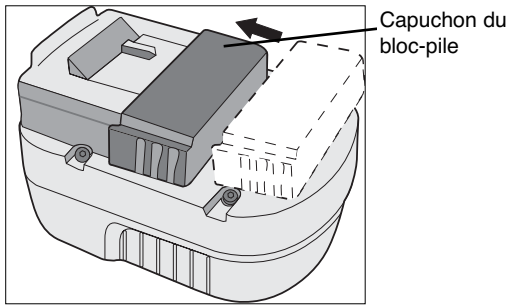
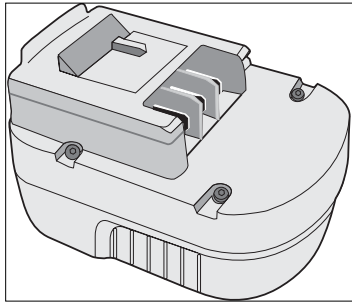
⚠ AVERTISSEMENT : cet outil peut produire et répandre de la poussière susceptible de causer des dommages sérieux et permanents au système respiratoire. Toujours utiliser un appareil respiratoire anti-poussières approuvé par le NIOSH ou l'OSHA. Diriger les particules dans le sens opposé du visage et du corps.

L'étiquette de l'outil peut comporter les symboles suivants.

V	volts	A	ampères
Hz	hertz	W	watts
min	minutes	~	courant alternatif
====	courant continu	Ⓜ	sous vide
☐	Construction de classe II	Ⓢ	borne de mise à la minute
⚠	symbole d'avertissement	.../min	tours ou courses à la minute

Information concernant le capuchon du bloc-pile

Un capuchon est fourni avec le bloc-pile en vue d'être utilisé chaque fois qu'on retire ce dernier de l'outil ou du chargeur en vue de le ranger ou de le transporter; enlever le capuchon avant de remettre le bloc-pile dans le chargeur ou dans l'outil.



⚠ **AVERTISSEMENT** : S'assurer, au moment de ranger ou de transporter un bloc-pile ou une pile, qu'aucun objet métallique n'entre en contact avec leurs bornes à découvert de celui-ci. Par exemple, il faut éviter de placer un bloc-pile ou une pile sans capuchon dans un tablier, une poche, une boîte à outils ou un tiroir (etc.) contenant des objets tels que des clous, des vis ou des clés, car tout contact entre les bornes à découvert et un objet métallique comme une clé, une pièce de monnaie, un outil à main, etc. pourrait causer un incendie. En effet, les règlements américains Hazardous Material Regulations (HMR) du US Department of Transportation interdisent le transport d'un bloc-pile ou d'une pile dans tout moyen de transport commercial ou aéronef (que ce soit dans une valise ou le bagage de cabine) SAUF s'ils sont bien protégés contre les courts-circuits. On doit donc s'assurer, lorsqu'on transporte un bloc-pile ou une pile séparément, de bien protéger et isoler les bornes contre tout matériau qui risque d'entrer en contact avec eux et de causer un court-circuit.

⚠ MESURES DE SÉCURITÉ IMPORTANTES

• CONSERVEZ CES DIRECTIVES.

Bien lire toutes les directives et tous les avertissements qui se trouvent sur (1) le chargeur, (2) l'ensemble de piles et (3) l'outil avant d'utiliser le chargeur.

⚠ **DANGER** : Les bornes du chargeur sont sous une tension de 120 volts. Ne pas les examiner avec un objet conducteur; cela présente des risques de secousses électriques.

⚠ **DANGER** : Ne pas placer dans le chargeur un ensemble de piles craqué ou endommagé; cela présente des risques de secousses électriques.

⚠ **MISE EN GARDE** : Ne jamais tenter d'ouvrir un ensemble de piles. Lorsque le boîtier en plastique craque ou se casse, en confier le recyclage à un centre de service.

⚠ **AVERTISSEMENT** : Ne laisser aucun liquide s'infiltrer dans le chargeur car cela représente des risques de secousses électriques.

⚠ **MISE EN GARDE** : Afin de réduire les risques de blessures, charger seulement des piles rechargeables Black & Decker. Tout autre type de piles peut exploser; ce qui présente des risques de blessures et de dommages.

- Pour faciliter le refroidissement de l'ensemble de piles après s'en être servi, éviter de placer le chargeur ou l'ensemble de piles dans un endroit chaud comme une remise en métal ou une remorque non isolée.
- Protéger le chargeur de la pluie ou de la neige.
- L'utilisation d'un accessoire non recommandé ni vendu par Black & Decker comporte des risques d'incendie, de secousses électriques ou de blessures.
- L'utilisation du chargeur pour tout ensemble de piles autres que les ensembles rechargeables Black & Decker comporte des risques d'incendie et de secousses électriques.
- Pour minimiser les risques de dommages au cordon et à sa fiche, débrancher l'appareil en tirant sur la fiche plutôt que sur le cordon.
- Placer le cordon de sorte qu'on ne puisse pas marcher ni s'accrocher dessus et qu'il ne soit pas autrement sujet aux dommages et aux contraintes.
- Ne pas utiliser de rallonge à moins que cela ne soit absolument nécessaire, car l'usage d'une rallonge ayant une puissance inadéquate pourrait causer des risques d'incendie, de choc électrique ou d'électrocution. Si une rallonge est nécessaire, s'assurer que :
 - les broches de la prise de la rallonge sont de mêmes nombre, taille et forme que celles de la prise du chargeur.
 - la rallonge est correctement câblée et en bonne condition, et que le calibre du fil est suffisant pour l'intensité nominale de courant alternatif du chargeur comme spécifié ci-dessous.

Pour la sécurité de l'utilisateur, utiliser une rallonge du calibre AWG approprié. Plus le calibre est petit, plus la capacité est grande; autrement dit, une rallonge de calibre 16 est plus puissante qu'une rallonge de calibre 18. Lorsqu'on utilise plusieurs rallonges pour obtenir la longueur voulue, s'assurer que chacune d'elles présente les valeurs minimales requises.

CALIBRE MINIMAL (AWG) RECOMMANDE DES RALLONGES

LONGUEUR TOTALE DE LA RALLONGE (EN METRES)

7,6	15,2	22,8	30,4	38,1	45,7	53,3
-----	------	------	------	------	------	------

CALIBRE AWG

18	18	16	16	14	14	12
----	----	----	----	----	----	----

- La ventilation du chargeur se fait par les fentes sur le dessus et le dessous de l'appareil. Ne rien déposer sur le chargeur et ne pas déposer ce dernier sur une surface qui pourrait en bloquer les orifices car cela risque de provoquer la surchauffe de l'appareil. Éloigner le chargeur des sources de chaleur.
- Ne jamais se servir d'un chargeur dont le cordon ou la fiche sont endommagés. Les remplacer immédiatement.
- Ne jamais se servir d'un chargeur qui a encaissé un coup brusque, qui est tombé ou qui est endommagé. Le faire vérifier à un centre de service autorisé.
- Ne jamais démonter le chargeur. N'en confier la réparation ou l'entretien qu'à un centre de service autorisé. Le remontage non conforme du produit comporte des risques d'incendie ou de secousses électriques.
- Le chargeur est conçu pour fonctionner sur une alimentation domestique standard. Ne pas essayer de s'en servir sous toute autre tension.
- Pour minimiser les risques de secousses électriques, débrancher le chargeur avant de le nettoyer. Le risque n'est pas éliminé en enlevant l'ensemble de piles du chargeur.
- NE JAMAIS raccorder deux chargeurs l'un à l'autre.
- NE PAS ranger le produit dans un endroit où la température peut atteindre ou dépasser 40 °C (105 °F) (comme dans une remise métallique en été).
- Ne pas incinérer les piles, car elles peuvent exploser en présence de flammes. Les cellules peuvent subir une fuite légère par suite d'un usage extrême, du chargement ou d'une exposition à certaines températures; cela n'indique pas un problème. Cependant, si le scellant externe est percé et le liquide entre en contact avec la peau, on doit :
 - a. se laver rapidement la partie du corps touchée avec de l'eau savonneuse;
 - b. neutraliser l'effet au moyen d'un acide doux tel que du jus de citron ou du vinaigre;
 - c. si les yeux sont touchés, les rincer à fond avec de l'eau propre pendant au moins 10 minutes et consulter immédiatement un médecin.

REMARQUE AUX FINS MÉDICALES : ce liquide contient une solution composée de 25 à 35 % d'hydroxyde de potassium.

CONSERVER CES MESURES

L'outil FS1800JS utilise n'importe quels blocs-piles 18 V et chargeurs de blocs-piles 18 V indiqués dans le tableau ci-dessous. Veuillez consulter les modes d'emploi spécifiques à chaque chargeur pour les mesures en matière de sécurité et les directives de fonctionnement.

Blocs-piles coulissants de 18 V

No. de cat.	Description
FSB18	Pile Firestorm de 18 v
FS180BX	Pile FSXtreme de 18 v
FS18BX	Pile FSXtreme 18 V - 3 bornes
FS18SBX	Pile FSXtreme série Silver de 18 v
HPB18	Pile Black & Decker de 18 v

Chargeurs pour blocs-piles coulissants de 18 V

No. de cat.	Description
FS18C	Chargeur-cuvette de 18 v
FS180DC	Chargeur à double sorties de 18 v
FS18RC	Chargeur-radio de 18 v
5104211-00	Chargeur à triple sorties de 18 v
FSMVC	Chargeur rapide de 9,6 v à 18 v
FS240FC	Chargeur une heure de 9,6 v à 24 v
FS2400DC	Chargeur une heure à double sorties de 9,6 v à 24 v

Remarques importantes de chargement

1. Pour augmenter la durée de vie du bloc-piles et optimiser son rendement, le charger à une température entre 18 et 24 °C (65 et 75 °F). NE PAS charger le bloc-piles à des températures inférieures à 4,5 °C (40 °F) ou supérieures à 40,5 °C (105 °F). Ces consignes sont importantes et permettent d'éviter d'endommager le bloc-piles.
2. Le chargeur et le bloc-piles peuvent devenir chaud au toucher pendant la charge. C'est un état normal et n'indique pas la présence d'un problème.
3. Si la batterie ne se charge pas normalement – (1) Vérifier la prise de courant en y enfichant une lampe ou un autre appareil électrique; (2) Vérifier si la prise est reliée à un interrupteur qui coupe le courant au moment d'éteindre la lumière; (3) Installer le chargeur et le bloc-piles dans un endroit où la température ambiante est d'environ 18 à 24 °C (65 à 75 °F) ou; (4) Si le problème persiste, retourner l'outil, le bloc-piles et le chargeur au centre de réparation de votre région.
4. Lorsque le bloc-piles n'arrive pas à produire suffisamment de puissance pour des travaux qui étaient facilement réalisés auparavant, il doit être rechargé. CESSER DE L'UTILISER sous ces conditions. Suivre les consignes de chargement. On peut également recharger en tout temps un bloc-piles partiellement déchargé sans nuire à son fonctionnement.
5. Les blocs-piles de Black & Decker étiquetés « NiMH » s'utilisent uniquement avec les chargeurs étiquetés « NiMH » ou « NiCd/NiMH ».
6. Sous certaines conditions, lorsque le chargeur est branché au bloc d'alimentation, les contacts de chargement exposés à l'intérieur du chargeur peuvent être court-circuités par des corps étrangers. Des matières étrangères conductrices telles que notamment la laine d'acier, la feuille d'aluminium ou toute accumulation de particules métalliques devraient être tenus à l'écart des cavités du chargeur. Débrancher systématiquement celui-ci si aucun bloc-piles n'y est inséré ou avant de le nettoyer.
7. Ne pas immerger le chargeur dans l'eau ou dans tout autre liquide.
8. Ce bloc d'alimentation est correctement orienté supporté dans une position verticale ou au plancher.

ASSEMBLAGE

⚠ **AVERTISSEMENT** : Avant d'entreprendre l'une des actions suivantes, s'assurer que la lame de la scie est arrêtée et que la pile a été retirée. Les lames de scies utilisées peuvent être chaudes.

Installation de la lame (fig. 1)

-Tenir la lame (7) tel qu'illustré, en s'assurant que les dents sont dirigées vers l'avant.

-Pousser le levier (3) vers le bas.

-Insérer la tige de la lame de scie dans le porte-lame (10), aussi loin que possible.

-Relâcher le levier.

-Régler le galet de support de la lame (voir l'article ci-dessous).

Réglage du galet de support de la lame (fig. 2)

Une fois la lame installée, on doit régler le galet de support de la lame (4).

-Tourner le bouton de verrouillage (6) vers la direction **A**.

-Glisser le galet de support de la lame contre la partie arrière de la lame, de manière à ce que celle-ci repose dans la section creuse au centre du galet.

-Tourner le bouton de verrouillage (6) vers la direction **B** afin de verrouiller solidement la plaque du patin.

Installation d'un aspirateur sur l'outil (fig. 3 et 4)

-Aligner l'adaptateur du tube d'aspiration (9) avec le patin de la scie, tel qu'illustré.

-Introduire les nervures (12) dans les fentes (13).

-Tourner l'adaptateur jusqu'à ce qu'il soit bien enclenché, en s'assurant que les nervures (14) sont bien en place.

-Raccorder le tube d'aspiration (11) (non fourni) à l'adaptateur.

Le système de dépoussiérage ne fonctionne pas lorsqu'on effectue des coupes en biseau.

UTILISATION

⚠ **AVERTISSEMENT** : Ne jamais utiliser l'outil lorsque le patin est lâche ou retiré.

Réglage de la plaque du patin en vue de réaliser une coupe en biseau (fig. 5)

La plaque du patin peut être réglée pour une coupe en biseau à gauche ou à droite allant jusqu'à 45°.

-Tourner le bouton de verrouillage (6) vers la direction **A** afin de relâcher la plaque du patin (5).

-Tirer la plaque du patin (5) vers l'arrière et la régler à l'angle voulu. Vérifier l'angle au moyen de l'échelle ou d'un rapporteur d'angle.

-Tourner le bouton de verrouillage (6) vers la direction **B** afin de verrouiller solidement la plaque du patin.

Pour remettre la plaque du patin dans sa position initiale en vue de réaliser une coupe droite :

-Tourner le bouton de verrouillage (6) vers la direction **A** afin de relâcher la plaque du patin (5).

-Tirer la plaque du patin vers l'arrière et la régler à un angle d'environ 0°.

-Pousser la plaque du patin vers l'avant.

-Tourner le bouton de verrouillage (6) vers la direction **B** afin de verrouiller solidement la plaque du patin, en s'assurant qu'elle est bien soutenue par les nervures de guidage.

Mise en marche et arrêt de l'outil

-Pour mettre l'outil en marche, enfoncer l'interrupteur de marche-arrêt (1). La vitesse varie selon la pression qu'on exerce sur l'interrupteur.

-Pour un fonctionnement continu, enfoncer le bouton de verrouillage en position de marche (2) et relâcher l'interrupteur à vitesse variable. Cette option n'est possible qu'en vitesse maximale.

-Pour arrêter l'outil, relâcher l'interrupteur à vitesse variable. Pour arrêter l'outil en mode de fonctionnement continu, appuyer de nouveau sur l'interrupteur à vitesse variable, puis le relâcher.

Utilisation du dispositif Sightline® (fig. 6)

-Marquer la ligne de coupe au moyen d'un crayon.

-Positionner la scie sur la ligne de coupe (15).

Vue directement du haut de la scie, la ligne de coupe est facile à suivre. Si celle-ci n'est pas bien visible, pour quelque raison que ce soit, on peut utiliser l'encoche (16) comme guide de coupe, le cas échéant.

Sélecteur turbo de mouvement orbital

- Pour effectuer rapidement et efficacement une coupe droite dans du bois, régler le sélecteur (10) à la position maximale.

- Pour assurer la précision d'une coupe droite ou courbée et obtenir un fini lisse, régler le sélecteur (10) à la position minimale.

- On peut aussi régler le sélecteur (10) à la position centrale (entre les positions maximale et minimale) pour obtenir une vitesse de coupe et de finition modérée.

Remarque : le mouvement orbital n'est pas recommandé lorsqu'on effectue une coupe courbée.

CONSEILS PRATIQUES POUR UN USAGE OPTIMAL

Généralités

-Utiliser la vitesse élevée pour le bois, la vitesse moyenne pour l'aluminium et le PVC et la basse vitesse pour les métaux, sauf l'aluminium.

Coupe de lamellés

Lorsqu'on remonte la scie, on peut engendrer des éclats de bois sur la surface la plus près de la plaque du patin.

-Utiliser une lame à dents fines.

-Effectuer la coupe à partir de la surface arrière de la pièce.

-Afin de réduire au minimum les éclats de bois, fixer une retaille de bois ou un panneau dur de chaque côté de la pièce et couper à travers les trois pièces.

Coupe du métal

-Il ne faut pas oublier que la durée de coupe du métal est beaucoup plus longue que celle du bois.

-Utiliser une lame conçue pour la coupe du métal.

-Pour réaliser la coupe d'une tôle mince, fixer une retaille de bois à l'arrière de la pièce et couper à travers les deux pièces.

-Appliquer une mince couche d'huile le long de la ligne de coupe prévue.

⚠ **MISE EN GARDE** : Ne pas utiliser l'adaptateur du tube d'aspiration pour couper le métal; les débris métalliques sont chauds et peuvent causer un incendie.

Dépannage

Problème	Cause possible	Solution possible
<ul style="list-style-type: none">L'appareil refuse de démarrer.	<ul style="list-style-type: none">Mauvaise installation de la batterie.Pile non chargée.	<ul style="list-style-type: none">Vérifier l'installation de la batterie.Vérifier les exigences de charge pour la pile.
<ul style="list-style-type: none">La pile ne se charge pas.	<ul style="list-style-type: none">Pile non insérée dans le chargeur.Chargeur non branché.	<ul style="list-style-type: none">Insérer la pile dans le chargeur de sorte que le voyant DEL rouge apparaisse.Brancher le chargeur dans une prise qui fonctionne. Se reporter à la rubrique « Remarques importantes de chargement » pour plus de renseignements.

Pour de l'aide avec l'outil, consulter notre site Web www.blackanddecker.com pour l'emplacement du centre de réparation le plus près ou communiquer avec l'assistance BLACK & DECKER au 1-800-544-6986..

Entretien

Nettoyer l'outil au moyen d'un savon doux et d'un linge humide seulement. Ne jamais laisser de liquide s'infiltrer à l'intérieur de l'outil ni tremper ce dernier dans un liquide quelconque. **IMPORTANT** : pour assurer la SÉCURITÉ et la FIABILITÉ de ce produit, toutes les opérations de réparation, d'entretien et de réglage doivent être effectuées dans un centre de service autorisé ou par du personnel qualifié; on ne doit utiliser que des pièces de rechange identiques.

Sceau RBRC^{MC}

Le sceau RBRCMC de la Rechargeable Battery Recycling Corporation apposé sur la pile au nickel-cadmium (ou le bloc-pile) indique que les coûts de recyclage de ce dernier à la fin de sa vie utile ont déjà été payés par Black & Decker. En certains endroits, la mise au rebut ou aux ordures municipales des piles au nickel-cadmium est illégale; le programme de «RBRC» constitue donc une solution des plus pratiques et écologiques.

La «RBRC», en collaboration avec Black & Decker et d'autres utilisateurs de piles, a mis sur pied des programmes aux États-Unis et au Canada dans le but de faciliter la collecte des piles déchargées. Black & Decker encourage ses utilisateurs à participer à son programme de protection de l'environnement et de conservation des ressources naturelles en retournant les piles usagées à un centre de service Black & Decker ou chez un dépositaire local afin qu'elles puissent être recyclées. On peut en outre se renseigner auprès d'un centre de recyclage local pour connaître d'autres sites les acceptant, ou composer le 1 800 8-228-8379 pour obtenir de l'information sur le recyclage de ces piles dans sa région.

Accessoires

Les accessoires recommandés pour l'outil sont vendus chez les dépositaires locaux ou dans les centres de service autorisés. Pour obtenir de l'aide concernant un accessoire, composer le 1 800 544-6986.

⚠ **AVERTISSEMENT** : l'usage d'un accessoire non recommandé peut présenter un danger.

Information sur les services

Black & Decker dispose d'un réseau complet composé de centres de service et de centres autorisés situés partout en Amérique du Nord. Tous les centres de service Black & Decker sont dotés de personnel qualifié en matière d'outillage électrique; ils sont donc en mesure d'offrir à leur clientèle un service efficace et fiable. Pour obtenir un conseil technique ou une pièce d'origine ou pour faire réparer un outil, on peut communiquer avec le centre Black & Decker le plus près. Pour obtenir le numéro de téléphone, consulter les pages jaunes sous la rubrique "Outils - électriques" ou composer le 1 800 544-6986 (1-800-54-HOW-TO).

Garantie complète de deux ans pour usage résidentiel

Black & Decker (U.S.) Inc. garantit ce produit pour une période de deux ans contre tout défaut de matériel ou de fabrication. Le produit défectueux sera remplacé ou réparé sans frais, suivant l'une des deux méthodes suivantes.

La première méthode consiste en un échange seulement. On doit retourner le produit au détaillant qui l'a vendu (pourvu qu'il s'agisse d'un détaillant participant), en respectant les délais stipulés dans sa politique relative aux échanges (normalement de 30 à 90 jours après la vente). Une preuve d'achat peut être requise. On doit vérifier la politique de retour du détaillant pour tout produit retourné au gérant le délai prescrit pour les échanges.

La deuxième méthode consiste à apporter ou à envoyer le produit (prépayé) à un centre Black & Decker ou à un centre de service autorisé aux fins de réparation ou de remplacement, selon notre choix. Une preuve d'achat peut être requise. Les centres Black & Decker et les centres de service autorisés sont répertoriés dans les pages jaunes sous la rubrique «Outils - électriques».

Cette garantie ne s'applique pas aux accessoires. Elle confère des droits légaux particuliers à l'acheteur, mais celui-ci pourrait aussi bénéficier d'autres droits variant d'un territoire à l'autre. Toute question doit être adressée au gérant du centre Black & Decker le plus près.

Ce produit n'est pas destiné à un usage commercial.

Remplacement gratuit de l'étiquette d'avertissement : En cas de perte ou d'endommagement des étiquettes d'avertissement, composer le 1 800 544-6986 afin d'en obtenir de nouvelles sans frais.

Remarque à l'intention des entrepreneurs concernant la garantie spéciale

Les produits de marque FIRESTORM^{MC} sont des outils hauts de gamme destinés aux consommateurs et comportent une GARANTIE POUR USAGE RÉSIDENTIEL. Ces outils sont conçus, fabriqués et mis à l'essai en vue de répondre aux besoins du bricoleur, ou de les dépasser, lorsque ce dernier réalise des projets ou effectue des réparations à l'intérieur ou à l'extérieur de sa résidence. Utilisés correctement, ces outils procurent à l'utilisateur un rendement et une puissance supérieurs qui excèdent de loin la période de garantie de deux ans. Par contre, tout outil utilisé à des fins commerciales ou tout produit de marque FIRESTORM^{MC} ou tout autre produit Black & Decker destiné aux consommateurs et réservé à un usage résidentiel, utilisé dans le cadre d'une **ACTIVITÉ RELIÉE AU TRAVAIL, N'EST PAS COUVERT PAR LA PRÉSENTE GARANTIE.**

Imported by / Importé par
Black & Decker Canada Inc.
100 Central Ave.
Brockville (Ontario) K6V 5W6

Voir la rubrique "Outils électriques"
des Pages Jaunes
pour le service et les ventes.



**¡GRACIAS POR ELEGIR BLACK & DECKER!
VAYA A WWW.BLACKANDDECKER.COM/NEOWNER
PARA REGISTRAR SU NUEVO PRODUCTO.**

**ANTES DE DEVOLVER ESTE PRODUCTO POR
CUALQUIER MOTIVO, LLAME AL (55) 5326-7100**

⚠ **NORMAS DE SEGURIDAD GENERAL – PARA TODA HERRAMIENTA OPERADA A BATERÍA**

⚠ **AVERTISSEMENT : LEA Y ASEGÚRESE DE COMPRENDER BIEN TODAS LAS INSTRUCCIONES.** El incumplimiento de todas las instrucciones enumeradas más abajo puede resultar en descarga eléctrica, incendio y/o lesiones corporales serias.

GUARDE ESTAS INSTRUCCIONES

Area de trabajo

- Mantenga su área de trabajo limpia y bien iluminada.** Los accidentes abundan en las mesas de trabajo desordenadas y áreas oscuras.
- No opere máquinas herramienta en ambientes explosivos, tales como en presencia de líquidos, gases o polvos inflamables.** Las máquinas herramienta generan chispas que pueden inflamar el polvo o los gases.
- No use máquinas herramienta en presencia de niños u otras personas.** Las distracciones pueden hacerle perder el control.

Seguridad eléctrica

- No abuse del cable. Nunca levante las herramientas por el cable.** Mantenga el cable alejado de fuentes de calor, aceite, bordes afilados o piezas en movimiento. Reemplace de inmediato cualquier cable dañado. Los cables dañados pueden causar incendios.
- Las herramientas operadas a batería que poseen baterías integradas o una unidad independiente de alimentación deben ser recargadas solamente con el cargador especificado para la batería.** Algunos cargadores pueden ser apropiados para un tipo de batería pero pueden crear riesgo de incendio cuando se utilizan con otra.
- Sólo utilice la herramienta operada a batería con la unidad de alimentación específicamente designada para ella.** El uso de cualquier otra batería puede crear riesgo de incendio.

Seguridad personal

- Manténgase alerta, ponga atención a su trabajo y use su sentido común cuando opere una máquina herramienta. No use la herramienta cuando esté cansado o bajo la influencia de drogas, alcohol o medicamentos.** Sólo hace falta un momento de distracción durante la operación de máquinas herramienta para causar lesiones corporales serias.
- Vístase debidamente. No se ponga ropa suelta o joyas. Amárrese el pelo. Mantenga alejados de las piezas en movimiento su pelo, ropa y guantes.** Ropa suelta, joyas o pelo largo pueden quedar atrapados en piezas en movimiento. Las rejillas de ventilación cubren piezas en movimiento y deberían ser evitadas.
- Evite encender la herramienta en forma accidental.** Asegure que el conmutador esté bloqueado o apagado antes de insertar la unidad de alimentación. El sujetar la herramienta con el dedo en el conmutador o insertar la unidad de alimentación a una herramienta ya encendida, se presta para que ocurran accidentes.
- Quite toda llave de ajuste antes de encender la herramienta.** El dejar una llave puesta en una pieza rotante de la herramienta puede resultar en lesión corporal.
- No se sobreextienda. Mantenga siempre el equilibrio.** Si mantiene el equilibrio podrá tener mejor control de la herramienta en situaciones inesperadas.
- Use equipo de seguridad. Siempre use gafas de protección.** Se debe usar máscara antipolvo, calzado de seguridad antideslizante, casco de seguridad o protección auditiva, dependiendo de las condiciones que apliquen.

Uso y cuidados de la herramienta

- Use abrazaderas u otra manera práctica de fijar y sujetar la pieza de trabajo a una plataforma estable.** No sujete su trabajo en forma manual o contra su cuerpo pues no quedará estable y podrá perder el control.
- No fuerce la herramienta. Use la herramienta correcta para su aplicación.** La herramienta apropiada hará un trabajo mejor y más seguro para el propósito para el cual fue diseñada.
- No use la herramienta si el conmutador no funciona bien.** Cualquier herramienta que no puede ser controlada con el conmutador es peligrosa y debe ser reparada.
- Desconecte la unidad de alimentación de la herramienta o ponga el conmutador en la posición bloqueada o apagada antes de ajustar la herramienta, cambiar de accesorio o guardarla.** Tales medidas preventivas reducen el riesgo de encender la herramienta en forma accidental.
- Cuando no esté en uso, almacene su herramienta fuera del alcance de niños y otras personas no capacitadas en su funcionamiento.** Las herramientas son peligrosas en manos de personas no capacitadas.
- Cuando la unidad de alimentación no esté en uso, manténgala alejada de otros objetos metálicos tales como: sujetapapeles, monedas, llaves, clavos u otros objetos metálicos pequeños que podrían generar una conexión entre sus terminales.** Provocar un cortocircuito entre los terminales de la batería puede causar chispas, quemaduras o incendios.
- Cuide sus herramientas. Mantenga herramientas usadas para cortar afiladas y limpias.** Las herramientas afiladas tienen menos probabilidades de trabarse y son más fáciles de controlar si son debidamente mantenidas.
- Revise la herramienta para verificar que no esté mal alineada, que sus piezas móviles no estén trabadas o rotas y que no exista otra condición que pudiera afectar su operación.** Si está dañada, llévela a ser reparada antes de usarla. Muchos accidentes son causados por usar herramientas que no han sido bien mantenidas.
- Utilice sólo aquellos accesorios que hayan sido recomendados por el fabricante para su modelo.** Algunos accesorios pueden ser apropiados para una herramienta pero pueden crear un riesgo de lesión cuando se utilizan con otra.

Servicio

- El servicio a la herramienta sólo deber ser realizado por personal de reparación calificado.** Si el servicio o mantenimiento es realizado por personal no calificado, podría resultar en riesgo de lesión.
- Cuando se repare una herramienta, sólo se deben usar repuestos originales. Siga las instrucciones en la sección de mantenimiento de este manual.** El uso de repuestos no autorizados o el incumplimiento de las instrucciones de mantenimiento pueden crear un riesgo de descarga eléctrica o lesión.

⚠ **Normas específicas de seguridad**

- Sostenga la herramienta por sus superficies de empuñadura aisladas cuando realice una operación en la cual la herramienta para cortar pudiera entrar en contacto con instalaciones eléctricas ocultas o con su propio cable.** El contacto con un cable cargado, cargará a su vez las partes metálicas expuestas de la herramienta y dará un golpe de corriente al operador.
- Cuando trabaje desde una escalera o andamio, asegúrese de echar la herramienta sobre un costado cuando no esté en uso.** Algunas herramientas con unidades de alimentación grandes pueden ser colocadas en posición vertical pero pueden ser fácilmente botadas.
- Mantenga sus manos fuera del área de corte.** Nunca se incline por debajo del material por ningún motivo. Sujete la parte frontal de la sierra asíndola por el área contorneada de agarre. No inserte los dedos o el pulgar cerca de la hoja de vaivén o el sujetador de la hoja. No estabilice la sierra asíndola por la platina.
- Mantenga las hojas afiladas.** Las hojas sin filo pueden hacer que la sierra se desvíe o se atasque al estar bajo presión.
- Al cortar un tubo o conducto portacables, asegúrese de que estos no contienen agua o cables, etc.**

⚠ **ADVERTENCIA: Algunos tipos de polvo, como aquellos generados por el lijado, serruchado, pulido y taladrado mecánico y otras actividades de construcción, contienen químicos que se sabe causan cáncer, defectos de nacimiento y otros daños reproductivos. Algunos ejemplos de estos químicos son:**

- plomo de algunas pinturas,
- polvo de sílice proveniente de ladrillos y cemento y otros productos de albañilería, y
- arsénico y cromo provenientes de maderas tratadas con químicos (arseniato de cobre cromado).

Su riesgo de exposición a estos químicos varía, dependiendo de la frecuencia con la cual realiza usted este tipo de trabajo. Para reducir su exposición a estos químicos, trabaje en un lugar con buena ventilación y trabaje con equipo de seguridad aprobado, como máscaras antipolvo especialmente diseñadas para filtrar partículas microscópicas.

- Evite el contacto prolongado con polvo generado por el lijado, serruchado, pulido y taladrado mecánico y otras actividades de construcción. Vístase con ropa de protección y lave con agua y jabón las áreas de su cuerpo que hayan sido expuestas.** La penetración de polvo a la boca o los ojos o el contacto de este con la piel, puede promover la absorción de químicos dañinos.

⚠ **PRECAUCIÓN: Utilice una protección auditiva apropiada durante el uso.** En determinadas condiciones y con utilizaciones prolongadas, el ruido generado por este producto puede favorecer la pérdida de audición.

⚠ **ADVERTENCIA: El uso de esta herramienta puede generar y/o dispersar polvo, lo cual puede causar lesiones respiratorias o de otro tipo, serias y permanentes.** Siempre use protección respiratoria aprobada por NIOSH (Instituto Nacional de Seguridad y Salud en el Trabajo) u OSHA (Administración de Seguridad y Salud en el Trabajo) apropiada para la exposición al polvo. Dirija las partículas en dirección contraria a la cara y el cuerpo.

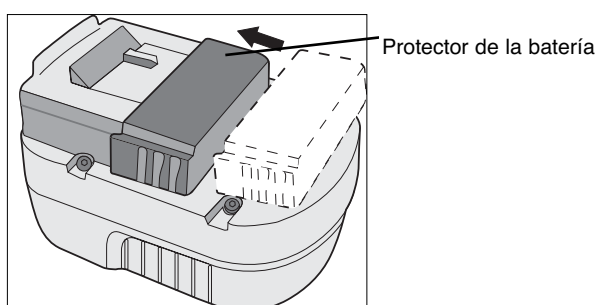
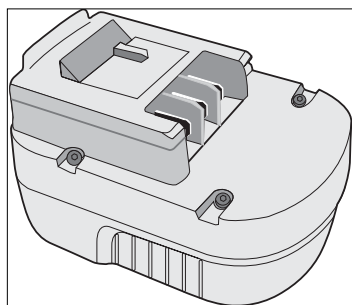
La etiqueta de su herramienta puede incluir los siguientes símbolos.

V	volts	A	amperes
Hz	hertz	W	watts
min	minutos	~	corriente alterna

----corriente directa	Novelocidadsin carga
□construcción clase II	⊕terminales de conexión a tierra
⚠símbolo de alerta seguridad	.../minrevoluciones o reciprocaciones por minuto

INFORMACIÓN ACERCA DEL PROTECTOR DE LA BATERÍA

Se han incluido protectores para el almacenaje y transporte de la batería. Estos deben ser usados cuando la batería no esté conectada a la herramienta ni en el cargador. Recuerde quitar el protector antes de poner la batería en el cargador o conectarla a la herramienta.



⚠ ADVERTENCIA: No guarde ni lleve baterías, unidades de alimentación o pilas en un lugar donde sus terminales pudieran entrar en contacto con algún objeto metálico. Por ejemplo, no ponga baterías, unidades de alimentación o pilas dentro de un delantal o bolsillo, una caja de herramientas o de almacenamiento del producto, un cajón, etc., junto con clavos sueltos, tornillos, llaves, etc. si no están debidamente protegidas. El transporte de baterías, unidades de alimentación o pilas puede causar un incendio si sus terminales entran en contacto sin querer con materiales conductores como llaves, monedas, herramientas de mano y otros por el estilo. De hecho, el reglamento sobre materiales peligrosos (HMR) del Ministerio de Transporte de los Estados Unidos prohíbe el transporte de baterías, unidades de alimentación o pilas en cualquier tipo de transporte terrestre o aéreo (es decir, embaladas en maletas y maletines de mano) A NO SER que estén debidamente protegidas de hacer cortocircuito. Por lo tanto, cuando transporte baterías, unidades de alimentación o pilas individuales, asegúrese que sus terminales estén protegidos y debidamente aislados de materiales que pudieran entrar en contacto con ellos y causar un cortocircuito.

⚠ INSTRUCCIONES IMPORTANTES DE SEGURIDAD

- **GUARDE ESTAS INSTRUCCIONES.**
 - Antes de emplear el cargador, lea todas las instrucciones y las marcas precautorias en (1) el cargador, (2) la batería y (3) el producto que utiliza la batería.
 - ⚠ **PELIGRO:** Corriente de 120 volts presente en las terminales de carga. No las una con objetos conductores. Peligro de choque eléctrico o electrocución.
 - ⚠ **PELIGRO:** Si la caja de la batería está estrellada o dañada, no la inserte en el cargador. Peligro de choque eléctrico o electrocución.
 - ⚠ **PELIGRO:** Nunca intente abrir la batería por ningún motivo. Si la carcasa de plástico se rompe o se estrella, llévela a un centro de servicio para que la reciclen.
 - ⚠ **ADVERTENCIA:** No permita que se introduzca ningún líquido en el cargador. Puede originarse un choque eléctrico.
 - ⚠ **PRECAUCIÓN:** Cargue únicamente baterías recargables Black & Decker para evitar el riesgo de lesiones. Baterías de otros tipos pueden estallar, ocasionando lesiones personales y daños.
 - Para facilitar el enfriamiento de la batería después de utilizarla, evite colocar el cargador o la batería en ambientes cálidos, como los de un cobertizo de lámina o un remolque sin aislamiento.
 - No exponga el cargador a la lluvia o a la nieve.
 - Estos cargadores no están diseñados para usos diferentes a la carga de las baterías recargables Black & Decker. Cualquier otro uso puede originar riesgos de incendio, choque eléctrico o electrocución.
 - Para reducir los riesgos de daño a la clavija y el cordón eléctrico, cuando desconecte el cargador tire de la clavija, no del cordón.
 - Asegúrese de que el cordón eléctrico esté colocado de tal manera que no lo pisen, enreden o le hagan alguna otra cosa que lo tense y le cause daño.
 - Trate de no usar cordones de extensión a menos que sea absolutamente necesario. El uso de una extensión inadecuada puede ocasionar incendios, descargas eléctricas o electrocución. Si es necesario utilizar la extensión, asegúrese:
 - Que las patas de la clavija de la extensión sean iguales en número, tamaño y forma a los de la clavija del cargador.
 - Que los cables de la extensión estén en buenas condiciones eléctricas y que el calibre sea suficiente para soportar la corriente que el cargador necesita, como se describe a continuación.
- Una extensión debe contar con alambre de calibre adecuado (AWG o American Wire Gauge) por seguridad. Mientras más pequeño sea el número del calibre del alambre, mayor será la capacidad del cable; por ejemplo, una cable de calibre 16 tiene mayor capacidad que otro de calibre 18. Cuando emplee más de una extensión para alcanzar la longitud total, asegúrese que cada extensión individual tenga por lo menos el calibre mínimo requerido.

CALIBRE AWG MÍNIMO RECOMENDADO PARA LOS CORDONES DE EXTENSION LONGITUD TOTAL DEL CABLE DE EXTENSION (METROS)

CALIBRE DEL ALAMBRE	7,6	15,2	22,8	30,4	38,1	45,7	53,3
	18	18	16	16	14	14	12

- El cargador se ventila a través de las ranuras de la cubierta. No coloque ningún objeto sobre el cargador o coloque éste en una superficie suave que pueda bloquear las ranuras de ventilación y ocasionen calor interno excesivo. Coloque el cargador en un lugar alejado de cualquier fuente de calor.
 - No opere el cargador con el cordón o la clavija dañados — hágalos cambiar de inmediato.
 - No utilice el cargador si ha recibido algún golpe, se ha caído o ha recibido algún otro daño. Llévelo a un Centro de Servicio autorizado.
 - No desarme el cargador, llévelo a un centro de servicio autorizado cuando requiera ser reparado. Ensamblarlo de modo incorrecto puede ocasionar descargas eléctricas, electrocución o incendios.
 - El cargador está diseñado para funcionar con corriente doméstica estándar. No intente usarlo con otro voltaje.
 - Desconecte el cargador antes de intentar limpiarlo para reducir el riesgo de descargas eléctricas. Retirar la batería no reducirá este riesgo.
 - NUNCA intente conectar 2 cargadores juntos.
 - NO guarde ni utilice la herramienta o la batería en lugares en los que la temperatura pueda alcanzar o exceder los 40°C (105°F) (tales como cobertizos o construcciones de metal en el verano).
 - NO incinere las baterías. Pueden explotar en un incendio. Las celdas de la batería pueden tener fugas pequeñas de líquido cuando han sido usadas o cargadas durante períodos demasiado largos, o bajo ciertas condiciones de temperatura. Esto no indica una falla. Sin embargo, si el sello externo ha sido roto y su piel entra en contacto con el líquido:
- a. Lave rápidamente con jabón y agua.
 - b. Neutralice con un ácido suave como jugo de limón o vinagre.
 - c. Si el líquido de la batería le entra a los ojos, lávelos con agua limpia por al menos 10 minutos y hágase ver por un médico de inmediato. **NOTA MÉDICA:** El líquido es una solución de 25-35% de hidróxido de potasio.

CONSERVE ESTAS INSTRUCCIONES

La herramienta FS1800JS es compatible con cualquiera de las Baterías en paquete deslizante de 18 V y Cargadores para baterías en paquete deslizante de 18 V que figuran en el siguiente cuadro. Consulte los manuales de cada cargador para ver todas las instrucciones de seguridad y funcionamiento.

Baterías en paquete deslizante de 18 V		Cargadores en paquete deslizante de 18 V	
N° de catálogo	Descripción	N° de catálogo	Descripción
FSB18	Batería de 18V Firestorm	FS18C	Cargador de base de 18V
FS180BX	Batería de 18V FSXtreme	FS180DC	Cargador de dos puertos de 18V
FS18BX	Batería FSXtreme de 18 voltios con 3 bornes	FS18RC	Cargador de radio de 18V
FS18SBX	Batería de 18V FSXtreme - Serie Silver	5104211-00	Cargador de tres puertos de 18V
HPB18	Batería de 18V Black & Decker	FSMVC	Cargador rápido de 9,6V a 18V
		FS240FC	Cargador de una hora de 9,6V a 24V
		FS2400DC	Cargador de una hora de dos puertos de 9,6V a 24V

Notas importantes sobre la carga

1. Obtendrá una duración más prolongada y un mejor rendimiento si el paquete de baterías se carga cuando la temperatura ambiental está entre 18 °C y 24 °C (65 °F y 75 °F). NO cargue el paquete de batería con una temperatura ambiental por debajo de +4,5 °C (+40 °F) o por encima de +40,5 °C (+105 °F). Esto es importante y evitará daños graves en el paquete de baterías.
2. El cargador y el paquete de baterías pueden estar calientes al tacto durante la carga. Esto es una condición normal y no indica un problema.
3. Si el paquete de baterías no se carga adecuadamente: (1) Controle la corriente del tomacorriente; para ello enchufe una lámpara u otro artefacto. (2) Verifique si el tomacorriente está conectado a un interruptor que corta la energía cuando usted apaga la luz. (3) Mueva el cargador y el paquete de baterías a un lugar donde la temperatura ambiental sea de aproximadamente 18 °C a 24 °C (65 °F a 75 °F). (4) Si los problemas de carga persisten, lleve o envíe la herramienta, el paquete de baterías y el cargador al centro de mantenimiento local.
4. Se debe recargar el paquete de baterías cuando no produce energía suficiente para tareas que previamente realizaba con facilidad. NO CONTINÚE utilizando la herramienta en estas condiciones. Siga los procedimientos de carga. También se puede cargar un paquete de baterías parcialmente usado cuando se desee, sin ningún efecto negativo sobre éstas.
5. Los paquetes de baterías Black & Decker identificados "NiMH" sólo se deben usar con cargadores identificados "NiMH" o "NiCd/NiMH".
6. En determinadas condiciones, estando el cargador enchufado en el tomacorriente, algunos materiales extraños pueden provocar un cortocircuito en los contactos de carga expuestos dentro del cargador. Se deben mantener lejos de las cavidades del cargador los materiales extraños de naturaleza conductora, entre los que se incluyen la lana de acero, el papel de aluminio o cualquier acumulación de partículas metálicas. Éstos son sólo algunos ejemplos y no constituyen una lista taxativa. Siempre desenchufe el cargador del tomacorriente cuando no haya un paquete de baterías en la cavidad. Desenchufe el cargador antes de intentar limpiarlo.
7. No sumerja el cargador en agua ni en ningún otro líquido.
8. Esta unidad de potencia está diseñada para ser correctamente orientada en una posición vertical o de montaje en el piso.

MONTAJE

⚠ **ADVERTENCIA:** Antes de intentar cualquiera de las siguientes operaciones, asegúrese de que la hoja de la sierra se haya detenido y de haber quitado la batería. Las hojas de la sierra que se utilizaron pueden estar calientes.

Colocación de la hoja de sierra (fig. 1)

- Sujete la hoja (7) según se ilustra, con los dientes hacia adelante.
- Empuje la palanca (3) hacia abajo.
- Inserte la espiga de la hoja en el portahoja (10) lo más adentro que pueda.
- Suelte la palanca.
- Ajuste el rodillo de apoyo de la hoja según se describe a continuación.

Ajuste del rodillo de apoyo de la hoja (fig. 2)

- Después de poner la hoja, es necesario ajustar el rodillo de apoyo de la hoja (4).
- Gire la perilla de bloqueo (6) en dirección **A**.
- Deslice el rodillo de soporte de la hoja contra la parte posterior de la hoja. La hoja debe encajar en la ranura central del rodillo.
- Gire la perilla de bloqueo (6) en dirección **B** para encajar la platina en su lugar.

Para conectar la aspiradora a la herramienta (fig. 3 & 4)

- Alinear el adaptador de extracción de polvo (9) con la platina de la sierra según se ilustra.
 - Insertar las nervaduras (12) en las ranuras (13).
 - Girar el adaptador hasta que encaja en posición. Asegurar que las nervaduras (14) se asientan correctamente.
 - Conectar la manguera de la aspiradora (11) (no suministrada) al adaptador.
- No es posible extraer el polvo cuando se realizan cortes de biselado.

USO

⚠ **ADVERTENCIA:** Nunca use la herramienta cuando la platina está aflojada o quitada.

Ajuste de la platina para cortes de biselado (fig. 5)

- Se puede fijar la platina para un ángulo de biselado hacia derecha o izquierda hasta 45°.
 - Gire la perilla de bloqueo (6) en dirección **A** para liberar la platina (5).
 - Tire de la platina (5) hacia atrás y fíjela al ángulo requerido. Usted puede usar la escala o un transportador para verificar el ángulo.
 - Gire la perilla de bloqueo (6) en dirección **B** para encajar la platina en su lugar.
- Para fijar de nuevo la platina para cortes rectos:
- Gire la perilla de bloqueo (6) en dirección **A** para liberar la platina (5).
 - Tire de la platina (6) hacia atrás y fíjela al ángulo de aproximadamente 0°.
 - Empuje la platina hacia adelante.
 - Gire la perilla de bloqueo (6) en dirección **B** para encajar la platina en su lugar. Asegúrese de que la platina está apoyada por las nervaduras de guía.

Para prender y apagar la herramienta

- Para prender la herramienta, oprima el interruptor de velocidad variable (1). La velocidad de la herramienta depende de cuán profundo usted oprime el interruptor.
- Para una operación continua, oprima el botón de bloqueo (2) y suelte el interruptor de velocidad variable. Esta opción sólo se puede utilizar a velocidad máxima.
- Para apagar la herramienta, suelte el interruptor de velocidad variable. Para apagar la herramienta mientras está en operación continua, oprima el interruptor de velocidad variable una vez más y suéltelo.

Cómo utilizar el dispositivo Sightline® (fig. 6)

- Use un lápiz para marcar la línea de corte.
- Posicione la sierra caladora encima de la línea (15).

Al poder ver la línea de corte directamente desde encima de la sierra, ésta puede seguirse fácilmente. Si esta vista queda restringida por alguna razón, se puede utilizar la muesca (16) como guía alternativa de corte.

Turboselector de acción orbital

- Para cortes rectos en madera, rápidos y eficientes, fije el turboselector de acción orbital (10) a "max".
 - Para obtener cortes de precisión rectos o curvos y un acabado liso, fije el turboselector (10) a "min".
 - También se puede fijar el turboselector de acción orbital (10) a una posición intermedia entre "max" y "min", para un corte y acabado de velocidad moderada.
- Nota:** No se recomienda la acción orbital para contornear.

SUGERENCIA PARA UN USO ÓPTIMO

General

- Use velocidad alta para madera, mediana para aluminio y PVC y baja para los demás metales que no sean aluminio.

Para aserrar laminados

Como la hoja de sierra hace el corte en su trayectoria hacia arriba, puede que la superficie más cercana a la platina se astille.

- Use una hoja de dientes afinados.
- Haga el aserrado desde la superficie posterior de la pieza de corte.
- A fin de minimizar el astillado, afiance un resto de madera o madera prensada a ambos lados de la pieza de corte y proceda a aserrar a través de esta especie de "sandwich".

Aserrado en metal

- Para empezar, recuerde que aserrar metales toma mucho más tiempo que aserrar madera.
- Use una hoja apropiada para aserrar metales.
- En cortes de láminas delgadas, afiance un resto de madera a la parte posterior de la pieza y corte a través de esta especie de "sandwich".
- Esparza una película fina de aceite a lo largo de la línea de corte propuesta.

⚠ **ATENCIÓN: No utilice el adaptador de aspiradora cuando corte en metal.** Las limaduras de metal pueden estar calientes y pueden ocasionar un incendio.

Detección de problemas

Problema	Causa posible	Solución posible
• La unidad no enciende.	• La batería no está bien instalada.	• Verifique la instalación de la batería.
	• La batería no carga.	• Verifique los requisitos de carga de la batería.
• La batería no carga.	• La batería no está insertada en el cargador.	• Inserte la batería en el cargador hasta que se encienda la luz roja (LED).
	• El cargador no está enchufado.	• Enchufe el cargador en un tomacorriente que funcione. Para conocer más detalles, consulte "Notas importantes sobre la carga".

Para conocer la ubicación del centro de mantenimiento más cercano a fin de recibir ayuda con su producto, visite nuestro sitio Web www.blackanddecker.com o llame a la línea de ayuda BLACK & DECKER al **(55)5326-7100**.

Mantenimiento

Utilice solamente jabón suave y agua para limpiar la herramienta. Nunca permita que ningún líquido se introduzca dentro de la misma; nunca sumerja ninguna parte de la herramienta dentro de algún líquido.

IMPORTANTE: Para garantizar la SEGURIDAD y la FIABILIDAD del producto, toda reparación, mantenimiento y ajuste, deberán ser realizados en los centros autorizados de servicio u otras organizaciones de servicio calificadas, utilizando siempre para ello accesorios originales.

El sello RBRC™

El sello RBRC™ (Rechargeable Battery Recycling Corporation o Corporación de Reciclaje de Baterías Recargables) en la batería (o unidad de alimentación) de níquel-cadmio indica que los costos de reciclaje de la batería (o unidad de alimentación), una vez que llegue al final de su vida útil, ya han sido pagados por Black & Decker. En algunas áreas es ilegal botar baterías de níquel-cadmio gastadas en la basura o corriente de residuos sólidos urbanos, y el programa RBRC ofrece una alternativa ecológica. RBRC, en colaboración con Black & Decker y otros usuarios de baterías, ha establecido programas en los EE.UU. y Canadá para facilitar la colección de baterías de níquel-cadmio gastadas.

Ayude a proteger nuestro medio ambiente y a conservar los recursos naturales devolviendo la batería de níquel-cadmio gastada a un centro de servicio Black & Decker autorizado o a su distribuidor local para que sea reciclada. También puede contactar a su centro local de reciclaje para mayor información sobre dónde ir a dejar la batería gastada, o llame al **(55)5326-7100**



Información de servicio

Black & Decker ofrece una red completa de centros de servicio y centros autorizados en toda Norteamérica. Todos los centros de servicio Black & Decker disponen de personal entrenado para dar un servicio eficiente y confiable a las herramientas eléctricas de sus clientes. De necesitar orientación técnica, reparación o repuestos originales de fábrica, diríjase al centro Black & Decker local. Para hallar la ubicación del centro de servicio más cercano, busque en las páginas amarillas de la guía telefónica bajo "Herramientas—Eléctricas" o llame a: **(55)5326-7100**

Garantía completa de dos años para uso doméstico

Black & Decker (U.S.) Inc. garantiza este producto por dos años contra cualquier defecto en su material o fabricación. Existen dos opciones para reemplazar o reparar el producto defectuoso, sin costo.

La primera, la cual resultará sólo en un cambio, es devolver el producto al vendedor del cual fue comprado (siempre que sea un local participante). Las devoluciones deberán realizarse durante el plazo especificado en la política de devoluciones del vendedor (generalmente entre 30 y 90 días después de la fecha de compra). Puede que sea necesario presentar prueba de compra. Por favor averigüe cuál es la política del vendedor para devoluciones efectuadas más allá del plazo para cambios.

La segunda opción es llevar o enviar el producto (con franqueo pagado) a un Centro de Servicio autorizado o al Centro de Servicio Black & Decker para su reparación o reemplazo, a decisión nuestra. Puede que sea necesario presentar prueba de compra. Los Centros de Servicio autorizados y Centros de Servicio Black & Decker se encuentran en las páginas amarillas bajo "Herramientas eléctricas".

Esta garantía no aplica a los accesorios. Esta garantía le da derechos legales específicos además de los cuales puede tener otros, los cuales varían entre estados. Si tuviese alguna pregunta, contacte al gerente de su Centro de Servicio Black & Decker más cercano. Este producto no es para uso comercial.

Sustitución gratuita de las etiquetas de advertencia: Si sus etiquetas de advertencia se vuelven ilegibles o se pierden, llame al **(55)5326-7100** para conseguir repuestos gratuitos.

Nota especial de GARANTÍA para Contratistas:

Los productos de marca FIRESTORM™ se ofrecen como herramientas de calidad superior para uso doméstico y llevan una GARANTÍA PARA USO DOMÉSTICO. Estas herramientas son diseñadas, fabricadas y probadas para satisfacer o sobrepasar las necesidades del bricolero en la ejecución de proyectos y reparaciones en su casa y sus alrededores. El uso apropiado de esta herramienta le dará al dueño de casa una potencia y un desempeño superiores que durarán mucho más que la garantía de dos años. Sin embargo, si utiliza herramientas para su trabajo y usa productos de marca FIRESTORM™ o cualquiera de las herramientas para uso doméstico Black & Decker EN SU LUGAR DE TRABAJO, debería saber que **NO PODRÁ SER CUBIERTO BAJO NUESTRA GARANTÍA.**

Para reparación y servicio de sus herramientas eléctricas, favor de dirigirse al Centro de Servicio más cercano:

CULIACAN, SIN

Av. Nicolás Bravo #1063 Sur
(667) 7 12 42 11
Col. Industrial Bravo

GUADALAJARA, JAL

Av. La Paz #1779
(33) 3825 6978
Col. Americana Sector Juárez

MEXICO, D.F.

Eje Central Lázaro Cardenas
No. 18
(55) 5588 9377
Local D, Col. Obrera

MERIDA, YUC

Calle 63 #459-A
(999) 928 5038
Col. Centro

MONTERREY, N.L.

Av. Francisco I. Madero
No.831
(81) 8375 2313
Col. Centro

PUEBLA, PUE

17 Norte #205
(222) 246 3714
Col. Centro

QUERETARO, QRO

Av. Madero 139 Pte.
(442) 214 1660
Col. Centro

SAN LUIS POTOSI, SLP

Av. Universidad 1525
(444) 814 2383
Col. San Luis

TORREON, COAH

Blvd. Independencia, 96 Pte.
(871) 716 5265
Col. Centro

VERACRUZ, VER

Prolongación Díaz Mirón #4280
(229)921 7016
Col. Remes

VILLAHERMOSA, TAB

Constitución 516-A
(993) 312 5111
Col. Centro

PARA OTRAS LOCALIDADES LLAME AL: (55) 5326 7100

Vea "Herramientas eléctricas (Tools-Electric)" – Páginas amarillas – para Servicio y ventas



BLACK & DECKER S.A. DE C.V.
BOSQUES DE CIDROS ACCESO RADIATAS NO. 42
COL. BOSQUES DE LAS LOMAS.
05120 MÉXICO, D.F.
TEL. 55-5326-7100