

BLACK & DECKER®

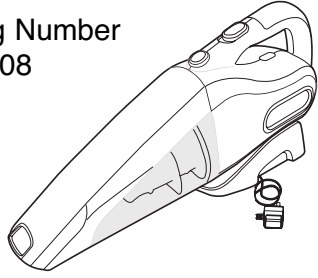
Dust Buster

Cyclonic PowerVac

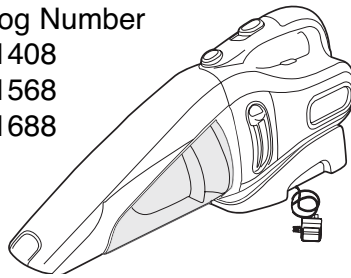
Catalog Nos. CHV9608, CHV1408, CHV1568, CHV1688

INSTRUCTION MANUAL

Catalog Number
CHV9608



Catalog Number
CHV1408
CHV1568
CHV1688



THANK YOU FOR CHOOSING BLACK & DECKER!
GO TO WWW.BLACKANDDECKER.COM/NEWOWNER
TO REGISTER YOUR NEW PRODUCT.

BEFORE RETURNING THIS PRODUCT FOR ANY REASON PLEASE CALL

1-800-544-6986

BEFORE YOU CALL, HAVE THE CATALOG NO. AND DATE CODE AVAILABLE. IN MOST CASES, A BLACK & DECKER REPRESENTATIVE CAN RESOLVE THE PROBLEM OVER THE PHONE. IF YOU HAVE A SUGGESTION OR COMMENT, GIVE USA CALL. YOUR FEEDBACK IS VITAL TO BLACK & DECKER.

To purchase a replacement filter
call 1-888-678-7278.

SAVE THIS MANUAL FOR FUTURE REFERENCE.

FOR HOUSEHOLD USE ONLY.

VEA EL ESPAÑOL EN LA CONTRAPORTADA.

INSTRUCTIVO DE OPERACIÓN, CENTROS DE SERVICIO Y PÓLIZA DE GARANTÍA.

ADVERTENCIA: LEÁSE ESTE INSTRUCTIVO ANTES DE USAR EL PRODUCTO.

Catalog Nos. CHV9608, CHV1408, CHV1568, CHV1688

PRINTED IN CHINA
FORM NO. 90513719 REV.1 (JUN. '07)

IMPORTANT SAFEGUARDS

When using electrical appliances, basic safety precautions should always be followed, including the following:

PLEASE READ AND UNDERSTAND ALL INSTRUCTIONS BEFORE USING THE UNIT.

SAFETY GUIDELINES - DEFINITIONS

It is important for you to read and understand this manual.

The information it contains relates to protecting YOUR SAFETY and PREVENTING PROBLEMS. The symbols below are used to help you recognize this information.

⚠ DANGER: Indicates an imminently hazardous situation which, if not avoided, will result in death or serious injury.

⚠ WARNING: Indicates a potentially hazardous situation which, if not avoided, could result in death or serious injury.

⚠ CAUTION: Indicates a potentially hazardous situation which, if not avoided, may result in minor or moderate injury.

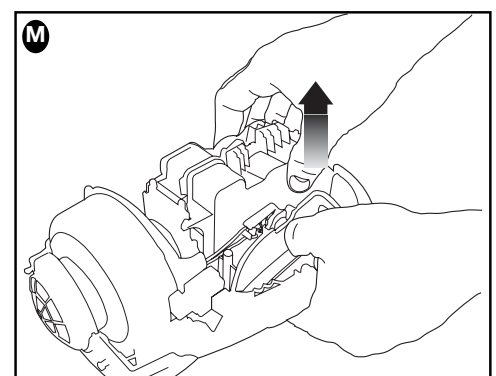
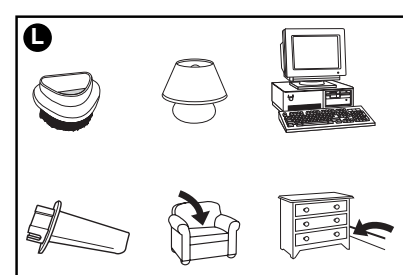
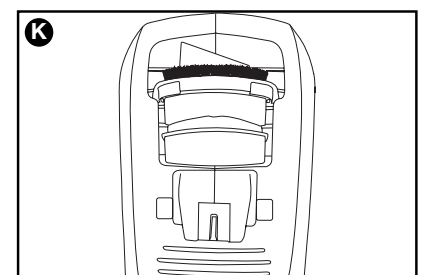
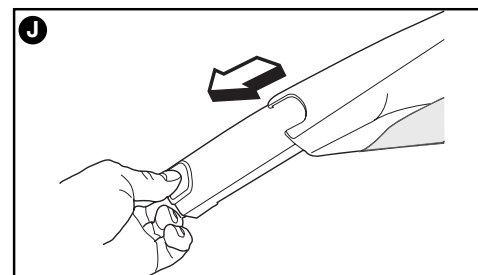
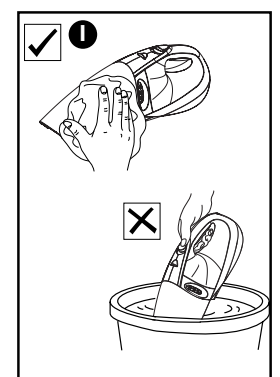
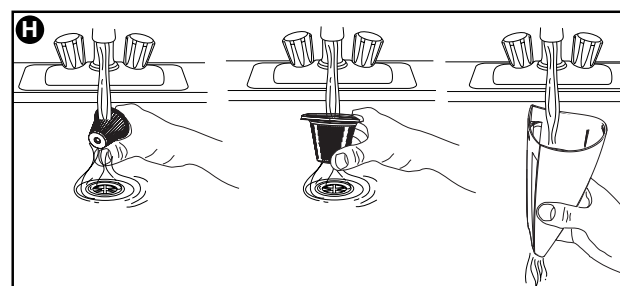
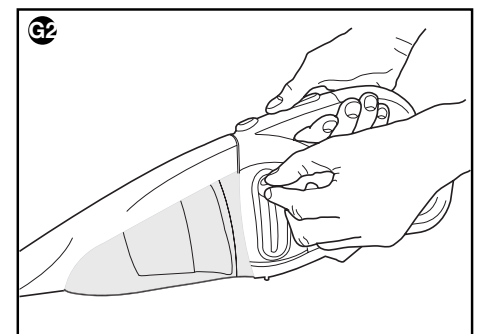
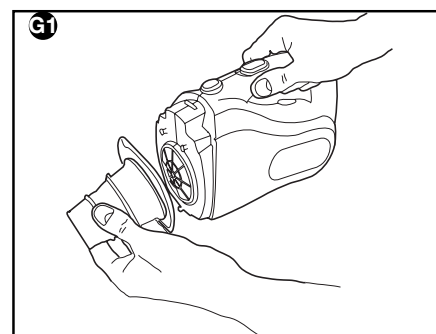
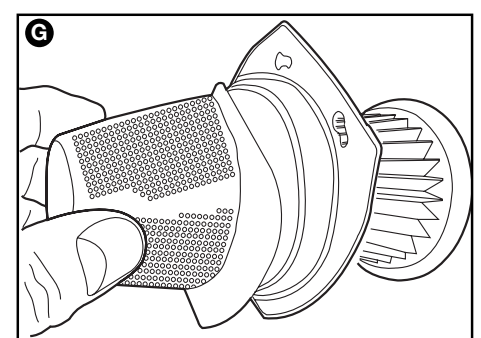
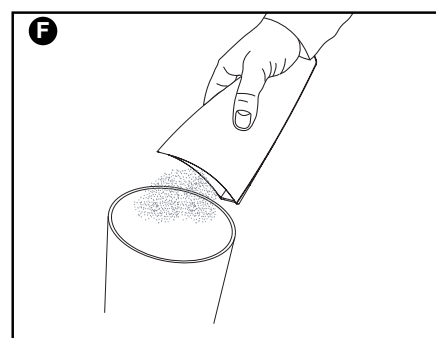
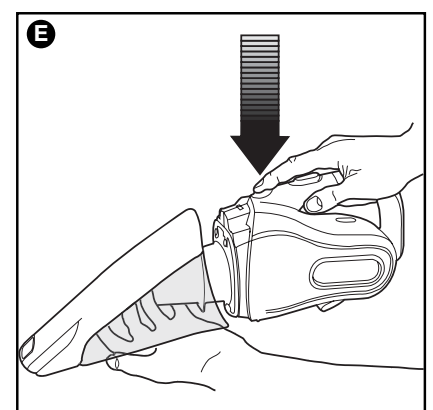
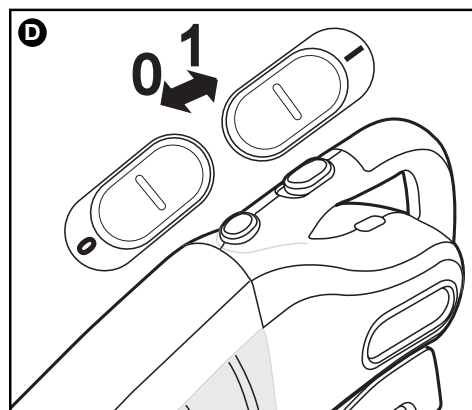
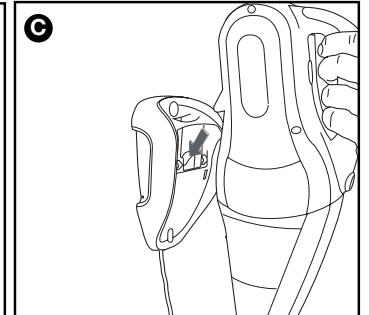
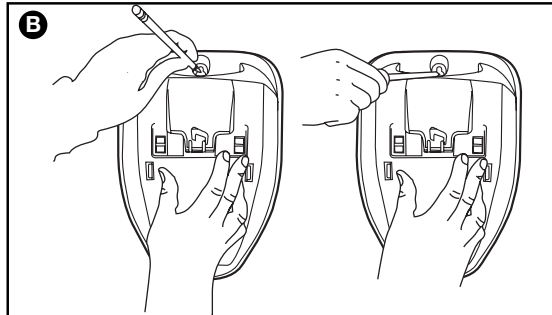
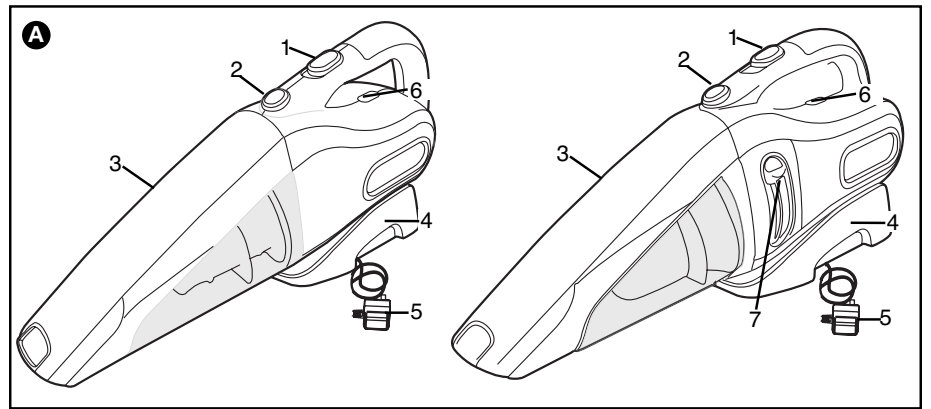
CAUTION: Used without the safety alert symbol indicates potentially hazardous situation which, if not avoided, may result in property damage.

⚠ WARNING: Some household dust contains chemicals known to the State of California to cause cancer, birth defects or other reproductive harm such as asbestos and lead in lead based paint.

⚠ WARNING: To reduce the risk of fire, electrical shock or injury:

- Close supervision is necessary when any appliance is used by or near children. Do not allow to be used as a toy.
- To protect against risk of electrical shock, do not put unit or charging base in water or other liquid.
- Do not use Dustbuster® dry hand vacs to pick up liquids, toxic substances, flammable or combustible liquids such as gasoline or use in areas where they may be present.
- Do not operate in the presence of explosives and/or flammable fumes or liquids.
- Do not operate any appliance with a damaged cord or charger or after the appliance malfunctions, is left outdoors, dropped into water or is damaged in any manner. Return the appliance to any authorized service facility.
- Do not use Dustbuster® dry hand vacs outdoors or on wet surfaces.
- Do not abuse the cord. Never carry the charger or base by the cord or yank to disconnect from an outlet; instead grasp the charger and pull to disconnect. Keep cord away from heated surfaces. Do not pull cord around sharp edges or corners.
- Do not allow the cord to hang over the edge of a table or counter or touch hot surfaces. The unit should be placed or mounted away from sinks and hot surfaces.
- Do not use an extension cord. Plug the charger directly into an electrical outlet.
- Use the charger only in a standard electrical outlet (120V/60Hz).
- Do not attempt to use the charger with any other product; do not attempt to charge this product with any other charger. Use only the charger supplied by the manufacturer to recharge.
- Keep hair, loose clothing, and all parts of body away from openings and moving parts.
- Do not insert accessories when unit is running.
- Do not handle plug or appliance with wet hands.
- Do not put any object into unit openings. Do not use with any openings blocked; keep free of dust, lint, hair, and anything that may reduce air flow.
- Do not vacuum burning or smoking materials, such as lit cigarette butts, matches or hot ashes.
- Do not use on or near hot surfaces.
- Use extra caution when cleaning on stairs.
- This appliance is intended for household use only and not for commercial or industrial use.
- Use only as described in this manual. Use only manufacturer's recommended attachments.
- Unplug the charger from outlet before any routine cleaning or maintenance.
- This product includes rechargeable nickel cadmium batteries. Do not incinerate batteries as they will explode at high temperatures.
- Leaks from battery cells can occur under extreme conditions. If the liquid, which is a 20-35% solution of potassium hydroxide, gets on the skin (1) wash quickly with soap and water or (2) neutralize with a mild acid such as lemon juice or vinegar. If the liquid gets into the eyes, flush them immediately with clean water for a minimum of 10 minutes. Seek medical attention.

SAVE THESE INSTRUCTIONS



Product Features (Fig. A)

1. On/Off slide switch
2. Bowl release button
3. Dust bowl
4. Wall mountable charging base
5. Charger
6. Charge indicator light
7. Filter cleaning slider

How To Use

INSTALLATION INSTRUCTIONS (FIG. B)

Fix the charging base within reach of an electrical outlet, using the screws supplied. Plug in and place the product in position. Always mount in an upright (handle up) position.

NOTE: Avoid damaging the cord while fixing the base to the wall or when removing or replacing the product from the base.

RECHARGING (FIG. C)

The charger supplied with this product is intended to be plugged in such that it is correctly orientated in a vertical or floor mount position. From new, the rechargeable cells of the product need a minimum charge time of 16 hours to ensure full power. While charging the charge indicator light will be illuminated. The switch must be in the off ("O") position. The product will not charge if it is in any other position. While charging, the product may get warm, this is perfectly normal and safe. It can remain on charge indefinitely without damage or danger. It is not possible to "overcharge" the battery cells with the charger provided.

Before recharging unit, make sure extension nozzle (from figure J) is retracted back in to bowl of the unit.

THIS PRODUCT IS FOR DRY PICK-UP ONLY.

OPERATION

Ensure that the product is fully engaged on the charging base and the charge indicator light is on.

SWITCHING ON AND OFF (FIG. D)

To start, slide the On/Off switch forward (i.e. "O" = Off, "I" = On). To stop, slide the switch back.

Always return the product to the charging base immediately after use so that it will be ready and fully charged for the next use. Ensure that the product is fully engaged on the charging base.

CLEANING THE PRODUCT (FIGS. E-I)

WARNING: Never use the Dustbuster without its filters.

NOTE: The filters are re-usable, do not confuse them with disposable dust bags, and do not throw them away when the product is emptied. We recommend that you replace the filters every 6-9 months depending on frequency of use. See "ACCESSORIES" for filter catalog numbers.

FIG. E - Remove the dust bowl by pressing the dust bowl release button and pulling the bowl down and out. To replace the bowl, place it back onto the handle and click firmly into position. **Important:** For best vacuum results, empty bowl after every use.

FIG. F - Empty the debris from the bowl and wash if necessary (see Fig. H).

FILTERS

NOTE: CHV9608 uses a single filter. CHV1408, CHV1568 and CHV1688 use an inner and outer filter.

FIG. G - To remove the filter(s) twist the outer (plastic) filter in a clockwise direction. Shake or lightly brush any loose dust off the outer filter.

FIG. G1 - CHV1408, CHV1568 and CHV1688 only. Remove the inner filter and shake, tap or lightly brush outside surface to remove loose dust. Both filters can be rinsed as shown in fig. (H). **CAUTION:** Filter must be dry before re-assembling. Ensure both filters are in place before operating.

FIG. G2 - If your unit is equipped with a filter cleaning slider as shown in Fig. G2 you can achieve more use between filter cleanings by first switching off the vac, and then sliding the cleaning wheel up and down as shown. Make two full cycles for best results.

FIG. H - Wash the filters using warm, soapy water and ensure that they are completely dry before using it again. The cleaner the filters are, the better the product will perform. It is very important that the filter is correctly in position before use. The dust bowl can also be washed in warm soapy water. **CAUTION:** Filters must be dry before re-assembling.

IMPORTANT: Maximum dust collection will only be obtained with clean filters and an empty dust bowl. If dust begins to fall back out of the product after it is switched off, this indicates that the bowl is full and requires emptying.

FIG. I - Never immerse the product in water. A damp cloth and soapy water should be used to clean the exterior of the motor section. Always ensure the product is completely dry before re-use or storing.

ECONOMIC USAGE

- Your product is very economical to charge. While it is charging it uses less electricity than a typical night light bulb.
- When fully charged and with a clean filter, the average effective usage times vary by voltage.
7.2 volts: 7 - 9 minutes 9.6-12 volts: 9-11 minutes
14.0 volts and higher: 12-15 minutes

TROUBLE SHOOTING

If the product does not work, check the following:

- That the charge indicator light is on when unit is in base.
- The charger was correctly plugged in for recharge. (It feels slightly warm to the touch.)
- The charger cord is not damaged and is correctly attached to the base.
- The charger is plugged into a working electrical outlet.
- That the switch is in the "OFF" position when charging.

ACCESSORIES

A crevice tool is built-in to the nozzle and can be extended as shown in figure J by pulling the extension piece until it locks into position.

The extension can be retracted by depressing the arrow button at the back of the extension and pushing the extension back into the nozzle. Additional accessories are stored on the product (FIG. K) and are fitted into the nose of the product for use. **NOTE: CVHV9608 includes brush only.** Accessory use is shown in FIG. L.

Note: Replacement filters can be purchased from most local/national retailers that sell vacuums, or by calling 1-888-678-7278.

Look for:

- VF96 filter for catalog number CHV9608
- VF08 filters for catalog numbers CHV1408 and CHV1568
- VF08H HEPA filter for CHV1688.

BATTERY REMOVAL AND DISPOSAL FIGURE M

This product uses nickel-cadmium (Ni-Cd) rechargeable and recyclable batteries. When the batteries no longer hold a charge, they should be removed from the Vac and recycled. They must not be incinerated or composted.

The batteries can be taken for disposal to a Black & Decker, Company-Owned or Authorized Service Center. Some local retailers are also participating in a national recycling program (see "RBRC™ Seal"). Call your local retailer for details. If you bring the batteries to a Black & Decker Company-Owned or Authorized Service Center, the Center will arrange to recycle old batteries. Or, contact your local municipality for proper disposal instructions in your city/town.

To remove the battery pack for disposal:

- 1) Unlatch bowl from main handle unit.
- 2) Remove filter(s).
- 3) Remove the seven screws holding the unit together.
- 4) Pull the cover half away from the location half.
- 5a) For catalog number CHV9608, lift out the full motor/fan/battery assembly.
- 5b) For catalog numbers CHV1468, CHV1568, CHV1688 prise small cover from filter cleaning slider and remove slider securing screw.
- lift out the full motor/fan/battery assembly
- 6) Unplug battery assembly from main assembly.

To replace or obtain a new battery pack, contact your local Black & Decker, Company-Owned or Authorized Service Center, or call 1-800-544-6986. Be prepared to provide the Catalog No. of your DustBuster, found on the housing.

MAINTENANCE

Use only mild soap and damp cloth to clean the vac. Never let any liquid get inside the vac; never immerse any part of the vac into a liquid.

NOTE: Make sure the vacuum is completely dry before using it.

IMPORTANT: To assure product SAFETY and RELIABILITY, repairs, maintenance and adjustment (other than those listed in this manual) should be performed by authorized service centers or other qualified service organizations, always using identical replacement parts.

THE RBRC™ SEAL

The RBRC™ (Rechargeable Battery Recycling Corporation) Seal on the nickel-cadmium battery (or battery pack) indicates that the costs to recycle the battery (or battery pack) at the end of its useful life have already been paid by Black & Decker. In some areas, it is illegal to place spent nickel-cadmium batteries in the trash or municipal solid waste stream and the RBRC program provides an environmentally conscious alternative.



RBRC in cooperation with Black & Decker and other battery users, has established programs in the United States and Canada to facilitate the collection of spent nickel-cadmium batteries. Help protect our environment and conserve natural resources by returning the spent nickel-cadmium battery to an authorized Black & Decker service center or to your local retailer for recycling. You may also contact your local recycling center for information on where to drop off the spent battery, or call 1-800-8-BATTERY.

SERVICE INFORMATION

All Black & Decker Service Centers are staffed with trained personnel to provide customers with efficient and reliable power tool service. Whether you need technical advice, repair, or genuine factory replacement parts, contact the Black & Decker location nearest you. To find your local service location, refer to the yellow page directory under "Tools—Electric" or call: 1-800-544-6986 or visit www.blackanddecker.com

FULL TWO-YEAR HOME USE WARRANTY

Black & Decker (U.S.) Inc. warrants this product for two years against any defects in material or workmanship. The defective product will be replaced or repaired at no charge in either of two ways.

The first, which will result in exchanges only, is to return the product to the retailer from whom it was purchased (provided that the store is a participating retailer). Returns should be made within the time period of the retailer's policy for exchanges (usually 30 to 90 days after the sale). Proof of purchase may be required. Please check with the retailer for their specific return policy regarding returns that are beyond the time set for exchanges.

The second option is to take or send the product (prepaid) to a Black & Decker owned or authorized Service Center for repair or replacement at our option. Proof of purchase may be required. Black & Decker owned and authorized Service Centers are listed under "Tools-Electric" in the yellow pages of the phone directory.

This warranty does not apply to accessories. This warranty gives you specific legal rights and you may have other rights which vary from state to state or province to province. Should you have any questions, contact the manager of your nearest Black & Decker Service Center. This product is not intended for commercial use.

FREE WARNING LABEL REPLACEMENT: If your warning labels become illegible or are missing, call 1-800-544-6986 for a free replacement.

Imported by
Black & Decker (U.S.) Inc.,
701 E. Joppa Rd.
Towson, MD 21286 U.S.A.



See 'Tools-Electric'
- Yellow Pages -
for Service & Sales



MODE D'EMPLOI

N° de catalogue

CHV9608, CHV1408, CHV1568, CHV1688

MERCI D'AVOIR CHOISI BLACK & DECKER !
VISITEZ WWW.BLACKANDDECKER.COM/NEWOWNER
POUR ENREGISTRER VOTRE NOUVEAU PRODUIT.

AVANT DE RETOURNER CE PRODUIT POUR QUELQUE
RAISON QUE CE SOIT, COMPOSER LE

1-800-544-6986

AVANT D'APPELER, AYEZ EN MAIN LE N° DE CATALOGUE ET LE CODE DE DATE. DANS LA PLUPART DES

CAS, UN REPRÉSENTANT DE BLACK & DECKER PEUT RÉSOUDRE LE PROBLÈME PAR

TÉLÉPHONE. SI VOUS AVEZ UNE SUGGESTION OU UN COMMENTAIRE, APPELÉZ-NOUS. VOS

IMPRESSIONS SONT CRUCIALES POUR BLACK & DECKER.

Pour l'achat d'un filtre de rechange
composer le 1-888-678-7278.

CONSERVER CE MODE D'EMPLOI POUR UN USAGE ULTÉRIEUR.
POUR UN USAGE DOMESTIQUE UNIQUEMENT.

IMPORTANTES MISES EN GARDE

Lorsqu'on utilise un appareil électrique, il faut toujours respecter certaines règles de sécurité fondamentales, notamment les suivantes.

LIRE ET COMPRENDRE TOUTES LES DIRECTIVES AVANT D'UTILISER L'APPAREIL.

LIGNES DIRECTRICES EN MATIÈRE DE SÉCURITÉ - DÉFINITIONS

Il est important que vous lisiez et compreniez ce mode d'emploi. Les informations qu'il contient concernent VOTRE SÉCURITÉ et visent à ÉVITER TOUT PROBLÈME. Les symboles ci-dessous servent à vous aider à reconnaître cette information.

⚠ DANGER : Indique une situation dangereuse imminente qui, si elle n'est pas évitée, causera la mort ou des graves blessures.

⚠ AVERTISSEMENT : Indique une situation potentiellement dangereuse qui, si elle n'est pas évitée, pourrait causer la mort ou de graves blessures.

⚠ MISE EN GARDE : Indique une situation potentiellement dangereuse qui, si elle n'est pas évitée, pourrait causer des blessures mineures ou modérées.

MISE EN GARDE : Utilisé sans le symbole d'alerte à la sécurité, indique une situation potentiellement dangereuse qui, si elle n'est pas évitée, peut résulter en des dommages à la propriété.

⚠ AVERTISSEMENT : Certaines poussières domestiques contiennent des produits chimiques reconnus par l'État de la Californie comme étant cancérogènes et pouvant entraîner des anomalies congénitales et d'autres risques pour la reproduction tels que l'amiante et le plomb contenu dans les peintures au plomb.

⚠ AVERTISSEMENT : Afin de minimiser les risques d'incendie, de secousses électriques ou de blessures.

• Exercer une étroite surveillance lorsqu'on utilise l'appareil près d'un enfant ou que l'appareil est utilisé par ce dernier. Il ne s'agit pas d'un jouet.

- Afin d'éviter les risques de secousses électriques, ne pas immerger l'appareil ni son chargeur.
- Ne pas se servir d'un aspirateur portatif Dustbuster^{md} pour déchets secs afin d'aspirer des liquides, des substances toxiques, des liquides inflammables ou combustibles (de l'essence, par exemple), ni s'en servir dans un endroit renfermant de tels produits.
- Ne pas se servir de l'appareil en présence de vapeurs explosives ou inflammables.
- Ne pas utiliser un appareil dont le cordon ou le chargeur est endommagé, ni un appareil qui ne fonctionne pas bien, qui est tombé, endommagé, resté à l'extérieur ou a été immergé. Le confier à un centre de service autorisé.
- Ne pas utiliser un aspirateur portatif Dustbuster^{md} pour déchets secs à l'extérieur ni sur des surfaces mouillées.
- Manipuler le cordon avec soin. Ne jamais transporter le chargeur ni le socle par le cordon ni tirer sur le cordon pour le débrancher. Saisir plutôt la fiche et tirer dessus. Éloigner le cordon des surfaces chaudes. Ne pas tirer sur le cordon lorsqu'il est autour d'un coin ou d'un rebord tranchant.
- Ne pas laisser pendre le cordon d'une table ou d'un comptoir, ni le laisser entrer en contact avec une surface chaude. Placer ou installer l'appareil loin des évier ou des surfaces chaudes.
- Ne pas utiliser de cordon de rallonge. Brancher le chargeur directement dans une prise.
- Brancher le chargeur seulement dans une prise standard (120 V, 60 Hz).
- Ne pas utiliser le chargeur avec un autre appareil; ni tenter de charger le produit avec un autre chargeur. Utiliser seulement le chargeur fourni par le fabricant.
- Éloigner les cheveux, les vêtements amples et les membres du corps des orifices et des pièces mobiles de l'appareil.
- Ne pas installer d'accessoires lorsque l'appareil fonctionne.
- Ne pas manipuler la fiche ni l'appareil avec les mains mouillées.
- Ne pas insérer d'objets dans les ouvertures de l'appareil. Ne pas utiliser l'appareil lorsqu'une de ses ouvertures est bloquée. Enlever la poussière, la charpie, les cheveux et toute autre matière susceptible de réduire le débit d'air.
- Ne pas se servir de l'appareil pour aspirer des substances en combustion, comme des mégots allumés, des allumettes ou des cendres chaudes provenant d'un foyer.
- Ne pas utiliser l'appareil sur des surfaces chaudes ni près de celles-ci.
- Faire preuve de prudence lorsqu'on nettoie les escaliers.
- L'appareil est conçu pour une utilisation domestique seulement et non industrielle ou commerciale.
- Utiliser l'appareil seulement de la manière décrite dans le présent guide. Utiliser seulement les accessoires recommandés par le fabricant.
- Débrancher le chargeur avant de le nettoyer ou d'en faire l'entretien.
- L'appareil renferme des piles rechargeables au nickel-cadmium. Ne pas incinérer les piles. La chaleur des flammes peut les faire exploser.
- Il peut se produire une légère fuite du liquide excitateur des piles dans des conditions extrêmes. Toutefois, si ce liquide (solution d'hydrogène de potassium à 20-35 p. 100) atteint la peau, il faut : 1) laver immédiatement à l'eau et au savon ou 2) neutraliser à l'aide d'un acide doux comme du jus de citron ou du vinaigre. Si le liquide excitateur atteint les yeux, rincer immédiatement à l'eau claire pendant au moins dix minutes et consulter un médecin.

CONSERVER CES DIRECTIVES.

Composants (fig. A)

- | | |
|---------------------------------------|---------------------------------------|
| 1. Interrupteur à glissière | 5. Chargeur |
| 2. Bouton de dégagement du bac | 6. Témoin de chargement |
| 3. Bac à poussière | 7. Roue de nettoyage du filtre |
| 4. Socle de chargement mural | |

Utilisation

DIRECTIVES D'INSTALLATION (FIG. B)

Installer le socle de chargement près d'une prise électrique, au moyen des vis fournies. Brancher et fixer l'appareil en place. Toujours s'assurer que la poignée soit orientée vers le haut durant l'installation.

NOTE : Éviter d'endommager le cordon lors de l'installation du socle au mur et lorsqu'on retire l'appareil du socle ou qu'on le remet en place.

CHARGEMENT (FIG. C)

Le chargeur fourni avec ce produit est correctement branché s'il est orienté en position verticale ou au plancher.

Lorsque l'appareil est neuf, les cellules rechargeables de celui-ci doivent être chargées pour un minimum de 16 heures afin d'en maximiser le rendement. Le témoin s'allume pendant le chargement. L'interrupteur doit être dans la position hors tension (O). Le chargement ne se fera pas s'il est dans toute autre position. Lors du chargement, l'appareil peut devenir chaud au toucher; il s'agit d'une situation normale et sûre. L'appareil peut rester indéfiniment dans le chargeur sans risque. Il est impossible de surcharger les cellules du produit avec le chargeur fourni.

Avant de recharger l'appareil, s'assurer que la buse d'extension (de la figure J) est rentrée dans le réservoir de l'appareil.

CE PRODUIT N'EST DESTINÉ QU'AU RAMASSAGE DE MATIÈRES SÈCHES.

FONCTIONNEMENT

S'assurer que le produit est complètement enfoncé dans la base de charge et que le témoin indicateur de charge est allumé.

MISE EN MARCHÉ ET ARRÊT DE L'APPAREIL (FIG. D)

Pour mettre l'appareil en marche, faire glisser l'interrupteur vers l'avant (O = hors tension et I = sous tension). Pour l'arrêter, faire glisser l'interrupteur vers l'arrière.

Toujours remettre l'appareil immédiatement dans le socle après s'en être servi pour qu'il soit prêt et rechargé pour une utilisation ultérieure. S'assurer que l'appareil est complètement installé dans le socle de chargement.

NETTOYAGE (FIG. E À I)

AVERTISSEMENT : ne jamais utiliser le Dustbuster sans ses filtres.

NOTE : les filtres sont réutilisables; ne pas les confondre avec les sacs à poussière jetables, et ne pas les mettre au rebut lorsqu'on vide l'appareil. On recommande de remplacer les filtres tous les 6 à 9 mois selon l'utilisation qu'on en fait. Consulter la section « Accessoires » pour les numéros de catalogue des filtres.

FIG. E • Pour retirer le bac à poussière, enfoncer le bouton de dégagement et tirer le bac vers l'extérieur et le bas. Pour le remettre, l'enclencher fermement dans la poignée.

Important : Afin d'optimiser le rendement, vider le bac après chaque utilisation.

FIG. F • Vider le bac et le nettoyer, le cas échéant (voir aussi la fig. H).

FILTRES

REMARQUE : Le CHV9608 utilise un seul filtre. Les modèles CHV1408, CHV1568 et CHV1688 utilisent un filtre interne et un filtre externe.

FIG. G • Pour retirer le ou les filtres, tourner le filtre externe (en plastique) dans le sens horaire. Secouer ou brosser légèrement le filtre externe pour enlever toute poussière en surface.

FIG. G1 - fig. G1 – Pour les modèles CHV1408, CHV1568 et CHV1688 seulement. Retirer le filtre interne et le secouer, le tapoter ou brosser légèrement la surface externe pour retirer la poussière en surface. Les deux filtres peuvent se rincer comme indiqué à la fig. (H).

MISE EN GARDE : Le filtre doit être sec avant de remonter l'appareil. S'assurer que les deux filtres sont bien en position avant d'utiliser l'appareil.

FIG. G2 – Si votre appareil est doté d'un dispositif coulissant pour le nettoyage du filtre comme indiqué à la figure G2, il est possible de prolonger le fonctionnement de l'appareil entre les nettoyages en éteignant d'abord l'aspirateur puis, en coulissant le dispositif de nettoyage de haut en bas comme indiqué. Faire deux cycles complets pour de meilleurs résultats.

FIG. H • Nettoyer les filtres régulièrement à l'eau savonneuse tiède; s'assurer qu'ils soient complètement secs avant de les réutiliser. Plus les filtres sont propres, plus l'appareil sera performant. Il est très important de placer les filtres correctement avant d'utiliser l'appareil. Le bac peut lui aussi être nettoyé à l'eau savonneuse tiède; celui-ci doit également être bien sec avant.

AVERTISSEMENT : Les filtres doivent être secs avant d'être remis en place.

IMPORTANT : le fonctionnement ne peut être optimal que si les filtres sont propres et le bac est vide; si la poussière ressort lorsqu'on arrête l'appareil, cela signifie que ce dernier est plein et qu'il faut le vider.

FIG. I • Ne jamais immerger l'appareil. Nettoyer le boîtier extérieur du moteur et à l'eau savonneuse au moyen d'un linge humide. S'assurer que l'appareil est complètement sec avant de l'utiliser à nouveau ou de le ranger.

UTILISATION ÉCONOMIQUE

- L'appareil se charge sans consommer trop d'énergie; il ne requiert que la moitié de l'électricité requise pour alimenter une lampe.
- Lorsque l'appareil est complètement chargé, le temps moyen d'utilisation efficace varie selon la tension.

7,2 volts : De 7 à 9 minutes	9,6-12,0 volts : De 9 à 11 minutes
14 volts et plus : De 12 à 15 minutes	

AUTRES RENSEIGNEMENTS

Lorsque l'appareil ne fonctionne pas, s'assurer d'abord que :

- le témoin s'allume lorsque l'appareil est dans le socle;
- le chargeur est enfiché correctement dans la prise murale (il devrait être légèrement chaud au toucher);
- le cordon du chargeur n'est pas endommagé et qu'il est bien raccordé au socle;
- la prise électrique dans laquelle le chargeur est enfiché est bien alimentée;
- l'interrupteur est en position hors tension lors du chargement.

ACCESSOIRES

L'embout de l'appareil comporte un suceur plat intégré qu'il est possible de rallonger, comme indiqué à la figure J. Tirer sur la rallonge jusqu'à ce qu'elle se bloque en position. Pour la remettre en place, enfoncer le bouton avec la flèche, logé au dos de la rallonge, puis l'enfoncer dans l'embout. Les accessoires supplémentaires sont rangés à même le produit (fig. K). Pour les utiliser, les insérer dans l'embout de l'appareil.

REMARQUE : Le CVHV9608 ne comprend qu'une brosse. L'utilisation de l'accessoire est illustrée à la figure L.

Remarque : Les filtres de rechange sont offerts chez la plupart des détaillants locaux ou nationaux qui vendent des aspirateurs, ou peuvent être achetés au 1-888-678-7278. Le filtre VF96 est conçu pour le numéro de catalogue CHV9608 et les filtres VF08, pour les numéros de catalogues CHV1408 et CHV1568. Filtre HEPA VF08H pour CHV1688.

RETRAIT ET ÉLIMINATION DES PILES (FIG. M)

NOTE : Lorsqu'on retire une pile, on ne peut pas la remettre en place.

L'appareil utilise des piles au nickel cadmium (Ni-Cd) rechargeables et recyclables. Lorsqu'une pile ne retient plus aucune charge, on doit la retirer et la recycler; ne jamais incinérer ou mettre une pile au compost.

On peut apporter les piles usagées à un centre Black & Decker, autorisé ou lui appartenant. Certains détaillants locaux participent également à un programme de recyclage national (voir la section « sceau RBRC[™] »); on doit se renseigner auprès d'eux ou auprès des autorités locales concernant les règlements municipaux relatifs à l'élimination des piles déchargées.

Faire ce qui suit pour retirer le bloc-pile afin de le mettre au rebut.

- 1) Déverrouiller le réservoir du bloc principal de la poignée.
- 2) Retirer le ou les filtres.
- 3) Dévisser les sept vis qui maintiennent l'intégralité de l'appareil.
- 4) Éloigner le couvercle (une moitié) de la moitié restante de l'appareil.
- 5a) Pour le numéro de catalogue CHV9608, soulever l'ensemble composé du moteur, du ventilateur et du bloc-piles.
- 5b) Pour les numéros de catalogue CHV1468, CHV1568 et CHV1688, dégager le petit couvercle du dispositif coulissant du filtre et dévisser la vis de fixation de celui-ci.
 - soulever l'ensemble composé du moteur, du ventilateur et du bloc-piles.
- 6) Débrancher le module du bloc-piles de l'ensemble principal.

Pour remplacer le bloc-pile ou s'en procurer un nouveau, communiquer avec le centre de service Black & Decker autorisé de la région ou composer le **1 800 544-6986**. Être prêt à donner le modèle de l'appareil qui se trouve sur la partie inférieure du boîtier, sous le suceur plat.

ENTRETIEN

Ne nettoyer l'appareil qu'à l'eau savonneuse au moyen d'un linge humide. Ne jamais laisser de liquide s'infiltrer à l'intérieur l'appareil; ne jamais immerger ce dernier dans quelque liquide que ce soit.

NOTE : s'assurer que l'appareil soit complètement sec avant de l'utiliser.

IMPORTANT : Pour assurer la SÉCURITÉ et la FIABILITÉ du produit, n'en confier les réparations, l'entretien et le réglage qu'au personnel des centres de services autorisés qui n'utilisent que des pièces de rechanges identiques.

Le SCEAU SRPRC[™]

Le sceau SRPRC[™] apposé sur le bloc-piles au nickel cadmium indique que son coût de recyclage à la fin de sa vie utile sera payé par Black & Decker. Il est illégal de jeter les piles au nickel cadmium épuisées dans les poubelles ou dans le système municipal d'élimination des résidus solides. Le programme RBRC représente donc une alternative sensibilisée à l'environnement. La SRPRC[™], en collaboration avec Black & Decker, ont établi aux États-Unis et au Canada des programmes facilitant la cueillette des piles au nickel cadmium épuisés. Black & Decker encourage ses utilisateurs à participer à son programme de protection de l'environnement en retournant les piles usagées à un centre de réparation autorisé Black & Decker. On peut également communiquer avec le centre de recyclage de la région pour savoir où déposer les piles usées ou composer le **1-800-8-BATTERY**.



INFORMATION SUR LES RÉPARATIONS

Tous les centres de réparation Black & Decker sont dotés de personnel qualifié en matière d'outillage électrique; ils sont donc en mesure d'offrir à leur clientèle un service efficace et fiable. Que ce soit pour un avis technique, une réparation ou des pièces de rechange authentiques installées en usine, communiquer avec l'établissement Black & Decker le plus près de chez vous. Pour trouver l'établissement de réparation de votre région, consulter le répertoire des Pages jaunes à la rubrique « Outils électriques » ou composer le numéro suivant : **1-800-544-6986** ou consulter le site www.blackanddecker.com

GARANTIE COMPLÈTE DE DEUX ANS POUR UNE UTILISATION DOMESTIQUE

Black & Decker (É.-U.) Inc. garantit ce produit pour une durée de deux ans contre tout défaut de matériau ou de fabrication. Le produit défectueux sera remplacé ou réparé sans frais de l'une des deux façons suivantes :

La première façon consiste en un simple échange chez le détaillant qui l'a vendu (pourvu qu'il s'agisse d'un détaillant participant). Tout retour doit se faire durant la période correspondant à la politique d'échange du détaillant (habituellement, de 30 à 90 jours après l'achat). Une preuve d'achat peut être requise. Vérifier auprès du détaillant pour connaître sa politique concernant les retours hors de la période définie pour les échanges.

La deuxième option est d'apporter ou d'envoyer le produit (transport payé d'avance) à un centre de réparation autorisé ou à un centre de réparation de Black & Decker pour faire réparer ou échanger le produit, à notre discrétion. Une preuve d'achat peut être requise. Les centres Black & Decker et les centres de service autorisés sont répertoriés dans les pages jaunes, sous la rubrique « Outils électriques ».

Cette garantie ne s'applique pas aux accessoires. Cette garantie vous accorde des droits légaux spécifiques et vous pourriez avoir d'autres droits qui varient d'un État ou d'une province à l'autre. Pour toute question, communiquer avec le directeur du centre de réparation Black & Decker le plus près de chez vous. Ce produit n'est pas destiné à un usage commercial.

REMPLACEMENT GRATUIT DES ÉTIQUETTES D'AVERTISSEMENT : si les étiquettes d'avertissement deviennent illisibles ou sont manquantes, composer le **1-800-544-6986** pour en obtenir le remplacement gratuit.

Imported by / Importé par
Black & Decker Canada Inc.
100 Central Ave.
Brockville (Ontario) K6V 5W6

Voir la rubrique "Outils électriques"
des Pages Jaunes
pour le service et les ventes.



MANUAL DE INSTRUCCIONES

Catálogo N° CHV9608, CHV1408, CHV1568, CHV1688

¡GRACIAS POR ELEGIR BLACK & DECKER!

VAYA A WWW.BLACKANDDECKER.COM/NEWOWNER

PARA REGISTRAR SU NUEVO PRODUCTO.

ANTES DE DEVOLVER ESTE PRODUCTO POR
CUALQUIER MOTIVO, LLAME AL

(55)5326-7100

ANTES DE LLAMAR, TENGA EL NÚMERO DE CATÁLOGO Y EL CÓDIGO DE FECHA PREPARADOS. EN LA MAYORÍA DE LOS CASOS, UN REPRESENTANTE DE BLACK & DECKER PUEDE RESOLVER EL PROBLEMA POR TELÉFONO. SI DESEA REALIZAR UNA SUGERENCIA O COMENTARIO, LLÁMENOS. SU OPINIÓN ES FUNDAMENTAL PARA BLACK & DECKER.

CONSERVE ESTE MANUAL PARA FUTURAS CONSULTAS.
SÓLO PARA USO DOMÉSTICO.

Para comprar un filtro de repuesto
llame al 1-888-678-7278.

RECOMENDACIONES IMPORTANTES

Cuando se usen aparatos eléctricos, deben tomarse ciertas precauciones básicas de seguridad, entre las que se incluyen las siguientes:

POR FAVOR LEA Y COMPRENDA TODAS LAS INSTRUCCIONES ANTES DE OPERAR LA UNIDAD

PAUTAS DE SEGURIDAD/DEFINICIONES

Es importante que lea y comprenda este manual. La información que contiene se relaciona con la protección de SU SEGURIDAD y la PREVENCIÓN DE PROBLEMAS. Los símbolos que siguen se utilizan para ayudarlo a reconocer esta información.

⚠ PELIGRO: indica una situación de peligro inminente que, si no se evita, provocará la muerte o lesiones graves.

⚠ ADVERTENCIA: indica una situación de peligro potencial que, si no se evita, provocará la muerte o lesiones graves.

⚠ PRECAUCIÓN: indica una situación de peligro potencial que, si no se evita, provocará lesiones leves o moderadas.

PRECAUCIÓN: utilizado sin el símbolo de alerta de seguridad indica una situación de peligro potencial que, si no se evita, puede provocar daños en la propiedad.

⚠ ADVERTENCIA: Ciertas partículas de polvo doméstico contienen químicos, como el asbesto y la pintura a base de plomo, reconocidos por el estado de California como causantes de cáncer, defectos congénitos u otros problemas reproductivos.

⚠ ADVERTENCIA: Para reducir el riesgo de incendio, choque eléctrico y (o) lesiones:

- Se requiere la supervisión de un adulto siempre que un aparato sea utilizado por niños o cerca de ellos. No permita que este aparato se use como juguete.
- Para proteger contra el riesgo de choque eléctrico, no sumerja la unidad ni la base de carga en agua o cualquier otro líquido.
- No utilice las aspiradoras de mano para limpieza líquida/seca para recoger sustancias tóxicas, inflamables o combustibles líquidos tales como la gasolina. Tampoco opere en presencia de gases explosivos y/o inflamables.
- No opere en presencia de gases explosivos y/o inflamables.
- No opere ningún aparato si el cable o el enchufe han sufrido algún daño. Tampoco si el aparato no funciona, si se ha dejado a la intemperie, se ha caído, o sumergido en agua. Llévelos a un centro de servicio autorizado.
- No use las aspiradoras Dustbuster® para limpieza seca en superficies mojadas o a la intemperie.
- No maltrate el cable. No sujete el cargador ni la base por el cable ni tire de él para desconectarlo; sujete el cargador y desconéctelo. Mantenga el cable alejado de las superficies calientes y de las orillas con filo.
- No permita que el cable cuelgue de la orilla de la mesa o del mostrador ni toque superficies calientes. La unidad debe colocarse o montarse lejos de lavaderos y superficies calientes.
- No utilice cables de extensión. Conecte el cargador directamente a un tomacorriente.
- Utilice el cargador únicamente conectado a un tomacorriente (120V/60Hz).
- No utilice este cargador con otros productos y no trate de cargar este producto con otro cargador. Utilice únicamente el cargador que acompaña el producto.
- Mantenga el cabello, la ropa y el cuerpo alejados de las aberturas y de las partes en movimiento.
- No introduzca ningún accesorio mientras la unidad esté en funcionamiento.
- No opere la unidad ni toque el enchufe con las manos mojadas.
- No permita la introducción de ningún objeto dentro de las aberturas de la unidad. No opere cuando las aberturas estén obstruidas; manténgalas libres de polvo, pelusas, cabellos o cualesquiera otras cosas que pudiesen reducir el flujo de aire.
- No aspire material que se esté quemando o produciendo humo, tales como las colillas de cigarrillo encendidas, fósforos, o cenizas calientes.
- No use cerca de superficies calientes.
- Tome cuidado adicional al aspirar las escaleras.
- Este producto ha sido diseñado solamente para uso doméstico y no para uso industrial o comercial.
- Use únicamente de acuerdo con las instrucciones en este manual y utilice solamente los accesorios recomendados por el fabricante.
- Desconecte el cargador antes de cualquier limpieza rutinaria o de darle mantenimiento.
- Este producto incluye baterías recargables de níquel cadmio. No incinere las baterías ya que explotarán a temperaturas elevadas.
- A veces, debido a las condiciones ambientales pueda que haya una fuga líquida de las celdas de las baterías. Si el líquido, que es una solución de 20-35% de hidróxido de potasio llegara a hacer contacto con la piel, (1) lave rápidamente con agua y jabón o (2) neutralice con un ácido suave como el jugo de limón o vinagre, (3) si el líquido cae dentro de los ojos, lávelos inmediatamente con agua limpia por un mínimo de 10 min. Busque atención médica.

CONSERVE ESTAS INSTRUCCIONES

Características del producto (Fig. A)

1. Interruptor deslizable limpieza de filtros
2. Botón de liberación del depósito
3. Depósito de polvo
4. Base de carga para montar en la pared
5. Cargador
6. Luz indicadora de carga
7. Perilla para

Cómo usar el producto

INSTRUCCIONES DE INSTALACIÓN (FIG. B)

Coloque la base de carga cerca de una toma de corriente, como se ilustra, con los tornillos que se le proporcionan. Conecte y coloque el producto en posición. Siempre monte en posición vertical (con el mango hacia arriba).

NOTA: Evite dañar el cable mientras fija la base a un muro o al retirar o colocar el producto de la base o en ella.

RECARGA (FIG. C)

El cargador suministrado con este producto está diseñado para ser enchufado correctamente en posición vertical u horizontal.

Cuando nuevas, las celdas recargables del producto necesitan un tiempo mínimo de carga de 16 horas para asegurar la potencia completa. Le sugerimos descargar el producto completamente cuando se utilice por primera vez ya que esto ayudará a que las celdas carguen más rápidamente. El interruptor debe estar en la posición de apagado ("O"), el producto no cargará si el interruptor se encuentra en cualquier otra posición. Mientras carga, el producto puede calentarse; esto es perfectamente normal y seguro. Puede permanecer bajo carga indefinidamente sin riesgos o peligros. No es posible "sobrecargar" las celdas de la batería con el cargador que se le proporciona.

Antes de recargar la unidad, asegúrese de que la boquilla de extensión (de la figura J) esté replegada en el depósito de la unidad.

ESTE PRODUCTO ES PARA ASPIRADO SECO SOLAMENTE.

OPERACIÓN

Asegúrese de que el producto esté perfectamente encajado en la base de carga y que la luz indicadora de carga esté encendida.

ENCENDIDO Y APAGADO (FIG. D)

Para encender, deslice el interruptor hacia delante (pe. "O"=apagado, "I"=encendido). Para apagar, deslice el interruptor hacia atrás.

Devuelva siempre el producto a la base de carga inmediatamente después de usarlo de manera que siempre esté listo y completamente cargado para el siguiente uso. Asegúrese de que el producto esté colocado correctamente en la base de carga.

LIMPIEZA DEL PRODUCTO (FIGS. E-I)

⚠ ADVERTENCIA: Nunca utilice el Dustbuster sin sus filtros.

NOTA: Los filtros son reutilizables, no los confunda con bolsas para polvo desechables, y no los descarte cuando vacíe el producto. Le recomendamos que reemplace los filtros cada 6 a 9 meses según sea la frecuencia con que se use. Consulte "Accesorios" para conocer los números de catálogo.

FIG. E • Retire el depósito para polvo oprimiendo el botón de liberación y tirando del depósito hacia abajo y hacia fuera. Para colocar de nuevo el depósito, póngalo en el mango y presiónelo con firmeza en su posición.
Importante: para mejores resultados de aspirado, vacíe el depósito después de cada uso.

FIG. F • Vacíe el polvo del depósito y lávelo en caso necesario (véase la Fig. H).

FILTROS

NOTA: El modelo CHV9608 utiliza un solo filtro. Los modelos CHV1408, CHV1568 y CHV1688 utilizan un filtro interno y un filtro externo.

FIG. G • Para retirar los filtros, gire el filtro externo (plástico) en sentido de las agujas del reloj. Sacuda o cepille suavemente todo resto de polvo del filtro externo.

FIG. G1 • Modelos CHV1408, CHV1568 y CHV1688 solamente. Retire el filtro interno y sacuda, golpee o cepille suavemente la superficie externa para retirar todo resto de polvo. Ambos filtros pueden enjuagarse como se muestra en la figura (H) **PRECAUCIÓN:** El filtro debe estar seco antes de volver a armar la unidad. Asegúrese de que ambos filtros estén en su lugar antes de operar la unidad.

FIG. G2 • Si su unidad está equipada con un interruptor deslizable de limpieza del filtro, como se muestra en la Figura G2, puede tener mayor tiempo de uso entre las limpiezas de filtro apagando primero la aspiradora y deslizando luego la rueda de limpieza de arriba hacia abajo como se muestra. Realice dos ciclos completos para obtener mejores resultados.

FIG. H • Lave los filtros usando agua tibia y jabonosa, asegurándose que estén completamente secos antes de usarlos otra vez. Mientras más limpios estén los filtros, mejor rendimiento tendrá el producto. Es muy importante que el filtro esté en la posición correcta antes de usarlo. El depósito de polvo puede lavarse también en agua tibia jabonosa. Asegúrese que esté seco antes de colocarlo de nuevo.

⚠ ADVERTENCIA: Los filtros deben estar secos antes de reensamblar.

IMPORTANTE: Solamente se obtendrá la máxima recolección de polvo con filtros limpios y con el depósito vacío. Si el polvo comienza a salirse del producto después de apagarlo, indica que el depósito está lleno y que necesita vaciarse.

FIG. I • Nunca sumerja el producto en agua. Debe usarse un trapo húmedo y agua jabonosa para limpiar el exterior de la sección del motor. Asegúrese siempre que el producto esté completamente seco antes de usarlo o guardarlo.

USO ECONÓMICO

- Es muy económico cargar el producto. Durante la carga utiliza menos de la mitad de la electricidad que una bombilla.
- Cuando está completamente cargado, y con el filtro limpio, el tiempo promedio de uso efectivo varía de acuerdo al voltaje.
7.2 volts: 7-9 minutos 9.6-12 volts: 9-11 minutos 14.0 volts y mayor: 12-15 minutos

SOLUCIÓN A PROBLEMAS FRECUENTES

Si el producto no funciona, verifique que:

- La luz indicadora de carga esté encendida cuando la unidad esté en la base.
- El cargador se conectó correctamente para recarga. (Se siente ligeramente tibio al tacto.)
- El cable del cargador no está dañado y está instalado correctamente en la base.
- El cargador está conectado a una toma de corriente que funciona.
- El interruptor está en posición de apagado al momento de cargar.

ACCESORIOS

La boquilla tiene una herramienta para ranuras incorporada que se puede extender, como se muestra en la Figura J, tirando de la pieza extensible hasta que se bloquee en posición. La extensión puede replegarse presionando el botón indicador de la parte posterior de la extensión y empujando nuevamente la extensión dentro de la boquilla. Los accesorios adicionales se almacenan en el producto (FIG. K) y se colocan en la boquilla del producto para utilizarlos. **NOTA: El modelo CVHV9608 incluye solamente un cepillo.** El uso de accesorios se muestra en la Figura L.

Nota: Los filtros de repuesto pueden comprarse en la mayoría de los comercios minoristas locales o nacionales que venden aspiradoras, o llamando al 1-888-678-7278. Para el filtro VF96, busque el número de catálogo CHV9608, y para los filtros VF08, los números de catálogo CHV1408 y CHV1568. Filtro VF08H HEPA para CHV9608.

REMOCIÓN Y DESECHO DE BATERÍAS (FIG. M)

NOTA: una vez removida, la batería no puede colocarse de nuevo.

Este producto utiliza baterías recargables y reciclables de níquel-cadmio (Ni-Cd). Cuando las baterías ya no retengan la carga, deberán sacarse de la aspirador y deberán reciclarse. No deben incinerarse ni hacerse composta.

Las baterías pueden llevarse para su desecho a los centros de servicio autorizados de Black & Decker. Algunos distribuidores también participan en un programa nacional de reciclaje (véase "El sello RBRC™"). Llame al distribuidor de su localidad para conocer los detalles. Si lleva las baterías a un centro de servicio propiedad de Black & Decker o a un centro de servicio autorizado, allí se harán cargo del reciclaje de las baterías. o, comuníquese con las autoridades de su localidad para conocer las instrucciones apropiadas de desecho/reciclaje en su ciudad.

Para sacar la batería con el objeto de disponer de ella:

- 1) Suelte el recipiente de la unidad del mango principal.
- 2) Retire los filtros.
- 3) Retire los siete tornillos que sujetan la unidad.
- 4) Quite la cubierta hasta la mitad.

- 5a) Para el número de catálogo CHV9608, retire el conjunto completo de motor/ventilador/batería.
- 5b) Para los números de catálogo CHV1468, CHV1568 y CHV1688, apalque la pequeña cubierta del interruptor deslizante de limpieza del filtro y retire el tornillo que fija el interruptor deslizante.
- retire el conjunto completo de motor/ventilador/batería
- 6) Desconecte el conjunto de la batería del conjunto principal.

Para reemplazar u obtener una batería nueva, comuníquese al Centro de Servicio Black & Decker de su localidad, o llame al (55)5326-7100. Está preparado para proporcionar el No. de catálogo de su aspiradora DustBuster, que se encuentra en la carcasa inferior, debajo del esquinero.

MANTENIMIENTO

Utilice únicamente jabón suave y un trapo húmedo para limpiar la aspiradora. Nunca permita que se introduzcan líquidos en ella; nunca sumerja ninguna parte de la aspiradora en un líquido.

NOTA: Asegúrese que la aspiradora esté completamente seca antes de usarla.

IMPORTANTE: Para garantizar la SEGURIDAD y la CONFIABILIDAD del producto, las reparaciones, el mantenimiento y los ajustes (diferentes a los mencionados en este manual) deberán llevarse a cabo en centros de servicio autorizado u otras organizaciones de servicio calificado, que siempre utilicen refacciones idénticas.

EL SELLO RBRC™



El sello RBRC™ (Rechargeable Battery Recycling Corporation) en las baterías de níquel-cadmio, indica que Black & Decker ha pagado los costos de reciclado de las baterías al término de su vida útil. En algunas zonas, es ilegal deshacerse de las baterías usadas de níquel-cadmio por los medios de recolección de basura usuales, y el programa RBRC proporciona una alternativa protectora del ambiente.

RBRC en cooperación con el fabricante y otros usuarios de baterías, ha establecido una serie de programas en los Estados Unidos y en Canadá para facilitar la recolección de las baterías de níquel-cadmio desgastadas. Ayude a cuidar el medio ambiente y a proteger los recursos naturales devolviendo las baterías de níquel-cadmio usadas a un centro de servicio Black & Decker o al distribuidor de su localidad para que las reciclen. Puede usted comunicarse al centro de reciclado de su localidad para que le proporcionen mayor información acerca de los sitios en los que puede desechar su batería usada, o llame al **1-800-8-BATTERY**.

INFORMACIÓN DE MANTENIMIENTO

Todos los Centros de mantenimiento de Black & Decker cuentan con personal altamente capacitado dispuesto a brindar a todos los clientes un servicio eficiente y confiable en la reparación de herramientas eléctricas. Si necesita consejo técnico, reparaciones o piezas de repuesto originales de fábrica, póngase en contacto con el centro de mantenimiento de Black & Decker más cercano a su domicilio. Para ubicar su centro de servicio local, consulte la sección "Herramientas eléctricas" (Tools-Electric) de las páginas amarillas, llame al **(55)5326-7100** o visite nuestro sitio **www.blackanddecker.com**.

GARANTÍA COMPLETA DE DOS AÑOS PARA USO EN EL HOGAR

Black & Decker (Estados Unidos) Inc. ofrece una garantía de dos años por cualquier defecto del material o de fabricación de este producto. El producto defectuoso se reparará o reemplazará sin costo alguno de dos maneras.

La primera opción, el reemplazo, es devolver el producto al comercio donde se lo adquirió (siempre y cuando se trate de un comercio participante). Las devoluciones deben realizarse conforme a la política de devolución del comercio (generalmente, entre 30 y 90 días posteriores a la venta). Le pueden solicitar comprobante de compra. Consulte en el comercio acerca de la política especial sobre devoluciones una vez excedido el plazo establecido.

La segunda opción es llevar o enviar el producto (con flete pago) a un Centro de mantenimiento propio o autorizado de Black & Decker para su reparación o reemplazo según nuestro criterio. Le pueden solicitar el comprobante de compra. Los Centros de mantenimiento autorizados y de propiedad de Black & Decker se detallan en la sección "Herramientas eléctricas" (Tools-Electric) de las páginas amarillas de la guía telefónica.

Esta garantía no se extiende a los accesorios. Esta garantía le concede derechos legales específicos; usted puede tener otros derechos que pueden variar según el estado o la provincia. Si tiene alguna pregunta, comuníquese con el gerente del Centro de mantenimiento de Black & Decker de su zona. Este producto no está diseñado para uso comercial.

REEMPLAZO GRATUITO DE LAS ETIQUETAS DE ADVERTENCIAS: si sus etiquetas de advertencia se tornan ilegibles o faltan, llame al **(55)5326-7100** para que se le reemplacen gratuitamente.

ESPECIFICACIONES

Cargador: 120V~ (4,5W) 60Hz CHV9608
Salida: 11,6 V, DC @ 130mA

Cargador: 120V~ (14,0W) 60Hz CHV1408
Salida: 17,4 V, DC @ 130mA

Cargador: 120V~ (14,0W) 60Hz CHV1568
Salida: 18 V, ~ @ 300mA

Cargador: 120V~ (11,0W) 60Hz CHV1688
Salida: 19 V, ~ @ 400mA

Para reparación y servicio de sus herramientas eléctricas, favor de dirigirse al Centro de Servicio más cercano:

CULIACAN, SIN

Av. Nicolás Bravo #1063 Sur
(667) 7 12 42 11
Col. Industrial Bravo

GUADALAJARA, JAL

Av. La Paz #1779
(33) 3825 6978
Col. Americana Sector Juarez

MEXICO, D.F.

Eje Central Lázaro Cardenas
No. 18
(55) 5588 9377
Local D, Col. Obrera

MERIDA, YUC

Calle 63 #459-A
(999) 928 5038
Col. Centro

MONTERREY, N.L.

Av. Francisco I. Madero
No.831
(81) 8375 2313
Col. Centro

PUEBLA, PUE

17 Norte #205
(222) 246 3714
Col. Centro

QUERETARO, QRO

Av. Madero 139 Pte.
(442) 214 1660
Col. Centro

SAN LUIS POTOSI, SLP

Av. Universidad 1525
(444) 814 2383
Col. San Luis

TORREON, COAH

Blvd. Independencia, 96 Pte.
(871) 716 5265
Col. Centro

VERACRUZ, VER

Prolongación Díaz Mirón #4280
(229)921 7016
Col. Remes

VILLAHERMOSA, TAB

Constitución 516-A
(993) 312 5111
Col. Centro

PARA OTRAS LOCALIDADES LLAME AL: (55) 5326 7100

Para servicio y ventas consulte
"HERRAMIENTAS ELÉCTRICAS"
en la sección amarilla.



IMPORTADO: BLACK & DECKER S.A. DE C.V.
BOSQUES DE CIDROS ACCESO RADIATAS NO. 42
COL. BOSQUES DE LAS LOMAS.
05120 MÉXICO, D.F. TEL. (55)5326-7100