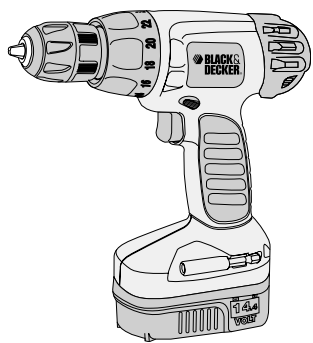


INSTRUCTION MANUAL

Catalog No. CD142S



BEFORE RETURNING THIS PRODUCT
FOR ANY REASON PLEASE CALL
1-800-544-6986

IF YOU SHOULD HAVE A QUESTION OR EXPERIENCE A
PROBLEM WITH YOUR BLACK & DECKER PRODUCT,
CALL 1-800-544-6986

BEFORE YOU CALL, HAVE THE FOLLOWING INFORMATION AVAILABLE, CATALOG No., TYPE No., AND
DATE CODE (e.g. 20000130M). IN MOST CASES, A BLACK & DECKER REPRESENTATIVE CAN
RESOLVE YOUR PROBLEM OVER THE PHONE. IF YOU HAVE A SUGGESTION OR COMMENT, GIVE
US A CALL. YOUR FEEDBACK IS VITAL TO BLACK & DECKER.

KEY INFORMATION YOU SHOULD KNOW:

- Charge battery for 9 hours before first use. For more information see "CHARGING THE POWER PACK".

SAVE THIS MANUAL FOR FUTURE REFERENCE.

VEA EL ESPAÑOL EN LA CONTRAPORTADA.

INSTRUCTIVO DE OPERACIÓN, CENTROS DE SERVICIO Y
PÓLIZA DE GARANTÍA. **ADVERTENCIA:** LEASE ESTE
INSTRUCTIVO ANTES DE USAR EL PRODUCTO.

Cat. No. CD142S Form # 617624-00 (APR-03) Copyright © 2003 Black & Decker Printed in China

GENERAL SAFETY RULES - FOR ALL BATTERY OPERATED TOOLS

WARNING! READ AND UNDERSTAND ALL INSTRUCTIONS. Failure to follow all instructions listed below, may result in electric shock, fire and/or serious personal injury

SAVE THESE INSTRUCTIONS

WORK AREA

- Keep your work area clean and well lit. Cluttered benches and dark areas invite accidents.
- Do not operate power tools in explosive atmospheres, such as in the presence of flammable liquids, gases, or dust. Power tools create sparks which may ignite the dust or fumes.
- Keep bystanders, children, and visitors away while operating a power tool. Distractions can cause you to lose control.

ELECTRICAL SAFETY

- Do not abuse the cord. Never use the cord to carry the tool. Keep cord away from heat, oil, sharp edges or moving parts. Replace damaged cords immediately. Damaged cords may create a fire.
- A battery operated tool with integral batteries or a separate battery pack must be recharged only with the specified charger for the battery. A charger that may be suitable for one type of battery may create a risk of fire when used with another battery.
- Use battery operated tool only with specifically designated battery pack. Use of any other batteries may create a risk of fire.

PERSONAL SAFETY

- Stay alert, watch what you are doing and use common sense when operating a power tool. Do not use tool while tired or under the influence of drugs, alcohol, or medication. A moment of inattention while operating power tools may result in serious personal injury.
- Dress properly. Do not wear loose clothing or jewelry. Contain long hair. Keep your hair, clothing, and gloves away from moving parts. Loose clothes, jewelry, or long hair can be caught in moving parts. Air vents cover moving parts and should be avoided.
- Avoid accidental starting. Be sure switch is in the locked or off position before inserting battery pack. Carrying tools with your finger on the switch or inserting the battery pack into a tool with the switch on invites accidents.
- Remove adjusting keys or wrenches before turning the tool on. A wrench or a key that is left attached to a rotating part of the tool may result in personal injury.
- Do not overreach. Keep proper footing and balance at all times. Proper footing and balance enable better control of the tool in unexpected situations.
- Use safety equipment. Always wear eye protection. Dust mask, non-skid safety shoes, hard hat, or hearing protection must be used for appropriate conditions.

TOOL USE AND CARE

- Use clamps or other practical way to secure and support the workpiece to a stable platform. Holding the work by hand or against your body is unstable and may lead to loss of control.
- Do not force tool. Use the correct tool for your application. The correct tool will do the job better and safer at the rate for which it is designed.
- Do not use tool if switch does not turn it on or off. A tool that cannot be controlled with the switch is dangerous and must be repaired.
- Disconnect battery pack from tool or place the switch in the locked or off position before making any adjustments, changing accessories, or storing the tool. Such preventative safety measures reduce the risk of starting the tool accidentally.
- Store idle tools out of reach of children and other untrained persons. Tools are dangerous in the hands of untrained users.
- When battery pack is not in use, keep it away from other metal objects like: paper clips, coins, keys, nails, screws or other small metal objects that can make a connection from one terminal to another. Shorting the battery terminals together may cause sparks, burns, or a fire.
- Maintain tools with care. Keep cutting tools sharp and clean. Properly maintained tools, with sharp cutting edge are less likely to bind and are easier to control.

- Check for misalignment or binding of moving parts, breakage of parts, and any other condition that may affect the tool's operation. If damaged, have the tool serviced before using. Many accidents are caused by poorly maintained tools.
- Use only accessories that are recommended by the manufacturer for your model. Accessories that may be suitable for one tool may create a risk of injury when used on another tool.

SERVICE

- Tool service must be performed only by qualified repair personnel. Service or maintenance performed by unqualified personnel may result in a risk of injury.
- When servicing a tool, use only identical replacement parts. Follow instructions in the Maintenance section of this manual. Use of unauthorized parts or failure to follow Maintenance Instructions may create a risk of shock or injury.

⚠ SPECIFIC SAFETY RULES

- Hold tool by insulated gripping surfaces when performing an operation where the cutting tool may contact hidden wiring or its own cord. Contact with a "live" wire will also make exposed metal parts of the tool "live" and shock the operator.
- When working on a ladder or on scaffolding be sure to lay the tool down on its side when not in use. Some tools with large battery packs will stand upright but may be easily knocked over.

WARNING: Some dust created by power sanding, sawing, grinding, drilling, and other construction activities contains chemicals known to cause cancer, birth defects or other reproductive harm. Some examples of these chemicals are:

- lead from lead-based paints,
- crystalline silica from bricks and cement and other masonry products, and
- arsenic and chromium from chemically-treated lumber (CCA).

Your risk from these exposures varies, depending on how often you do this type of work. To reduce your exposure to these chemicals: work in a well ventilated area, and work with approved safety equipment, such as those dust masks that are specially designed to filter out microscopic particles.

- Avoid prolonged contact with dust from power sanding, sawing, grinding, drilling, and other construction activities. Wear protective clothing and wash exposed areas with soap and water. Allowing dust to get into your mouth, eyes, or lay on the skin may promote absorption of harmful chemicals.

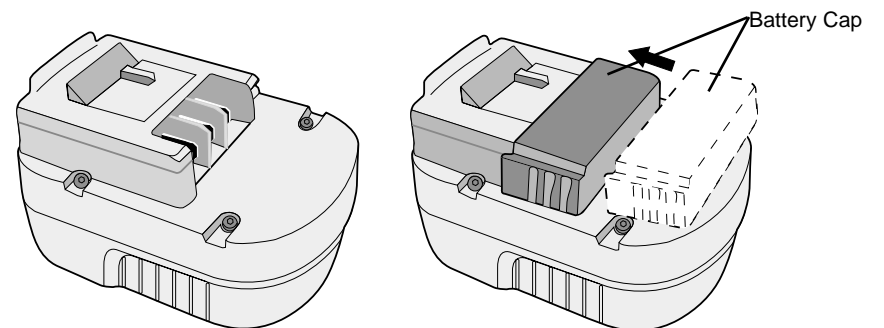
WARNING: Use of this tool can generate and/or disperse dust, which may cause serious and permanent respiratory or other injury. Always use NIOSH/OSHA approved respiratory protection appropriate for the dust exposure. Direct particles away from face and body.

The label on your tool may include the following symbols.

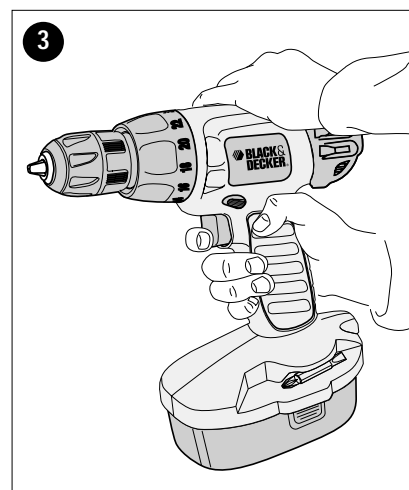
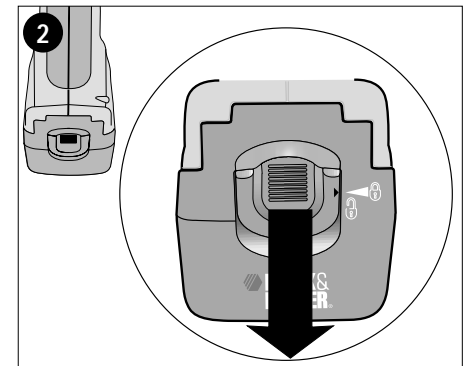
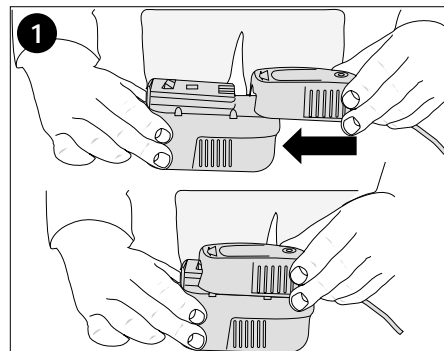
V	volts	A	amperes
Hz	hertz	W	watts
min	minutes	~	alternating current
---	direct current	n _o	no load speed
□	Class II Construction	⊕	earthing terminal
⚠	safety alert symbol	.../min	revolutions or reciprocations per minute

Battery Cap Information

Battery storage and carrying caps are provided for use whenever the battery is out of the tool or charger. Remove cap before placing battery in charger or tool.

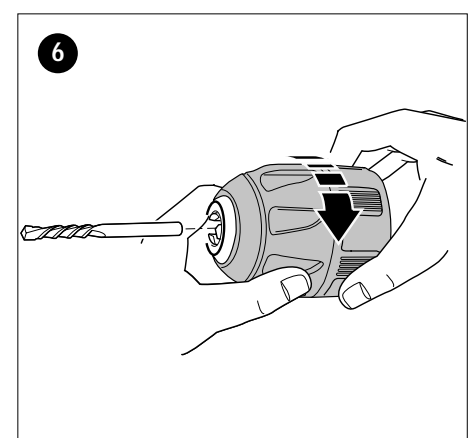
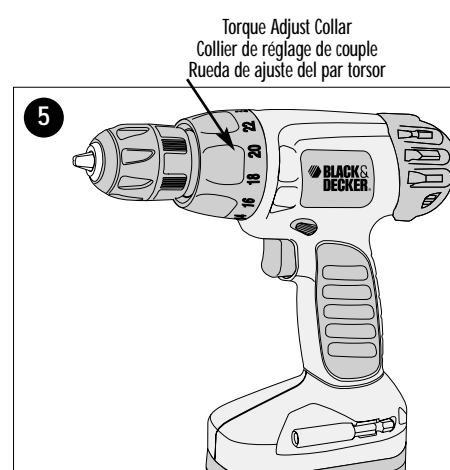
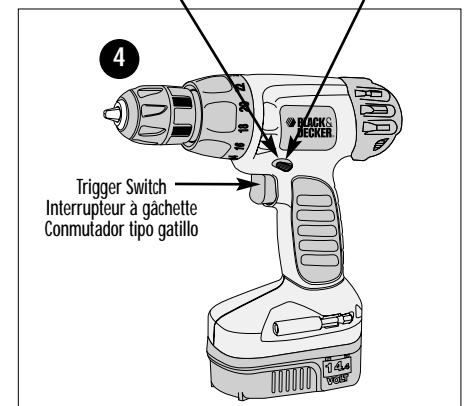


WARNING: Do not store or carry battery so that metal objects can contact exposed battery terminals. For example, do not place battery in aprons, pockets, tool boxes, product kit boxes, drawers, etc. with loose nails, screws, keys, etc. without battery cap. Without cap in place, battery could short circuit causing fire or burns or damage to battery.



Depress for reverse (this side)
Enfoncer pour la marche arrière (ce côté)
Presione para dirección reversa o contraria a las manillas del reloj (este lado)

Depress for forward (other side)
Enfoncer pour la marche avant (autre côté)
Presione para dirección normal o de las manillas del reloj (el otro lado)



⚠ Safety Warnings and Instructions: Charging the Drill

1. This manual contains important safety and operating instructions.
2. Before using battery charger, read all instructions and cautionary markings on (1) battery charger, (2) battery, and (3) product using battery.
3. ⚠ **CAUTION:** To reduce the risk of injury, charge only Black & Decker Power Packs. Other types of batteries may burst causing personal injury and damage.
4. Do not expose charger to rain or snow.
5. Use of an attachment not recommended or sold by Black & Decker may result in a risk of fire, electric shock, or injury to persons.
6. To reduce risk of damage to electric plug and cord, pull by plug rather than cord when disconnecting charger.
7. Make sure cord is located so that it will not be stepped on, tripped over, or otherwise subjected to damage or stress.
8. An extension cord should not be used unless absolutely necessary. Use of improper extension cord could result in a risk of fire, electric shock or electrocution.
 - a. Two-wire cords can be used with 2-wire or 3-wire extension cords. Only round jacketed extension cords should be used, and we recommend that they be listed by Underwriters Laboratories (U.L.). If the extension is to be used outside, the cord must be suitable for outdoor use. Any cord marked for outdoor use can also be used for indoor work. The letters "W" or "WA" on the cord jacket indicate that the cord is suitable for outdoor use.
 - b. An extension cord must have adequate wire size (AWG or American Wire Gauge) for safety, and to prevent loss of power and overheating. The smaller the gauge number of the wire, the greater the capacity of the cable; that is, 16 gauge has more capacity than 18 gauge. When using more than one extension to make up the total length, be sure each extension contains at least the minimum wire size.

CHART FOR MINIMUM WIRE SIZE (AWG) OF EXTENSION CORDS
NAMEPLATE RATING AMPS – 0 – 10.0

Total Extension Cord Length (ft)	25	50	75	100	125	150
Wire Gauge	18	18	16	16	14	14

9. Use only the supplied charger when charging your drill. The use of any other charger could damage the drill or create a hazardous condition.
10. Use only one charger when charging.
11. Do not attempt to open the charger or the drill. There are no customer serviceable parts inside. Return to any authorized Black & Decker service center.
12. DO NOT incinerate the drill or battery packs even if they are severely damaged or completely worn out. The batteries can explode in a fire.
13. Do not incinerate the batteries. They can explode in a fire. A small leakage of liquid from the battery cells may occur under extreme usage, charging or temperature conditions. This does not indicate a failure. However, if the outer seal is broken and this leakage gets on your skin:
 - a. Wash quickly with soap and water.
 - b. Neutralize with a mild acid such as lemon juice or vinegar.
 - c. If the battery liquid gets in your eyes, flush them with clean water for a minimum of 10 minutes and seek immediate medical attention. MEDICAL NOTE: The liquid is a 25-35% solution of potassium hydroxide.

CHARGING THE POWER PACK

THE BATTERIES IN YOUR POWER PACK ARE NOT FULLY CHARGED AT THE FACTORY. BEFORE ATTEMPTING TO CHARGE THEM, THOROUGHLY READ ALL OF THE SAFETY INSTRUCTIONS.

The charger is designed to use standard household 120 volt 60 Hz power.

1. Plug the charger into any standard 120 Volt 60 Hz electrical outlet.
2. Slide the charger onto the battery pack as shown in Figure 1 and let the battery charge initially for **9 hours**. After the initial charge, under normal usage, your power pack should be fully charged in **3 to 6 hours**.
3. Unplug charger, and remove the battery pack. **Place the battery in the tool and be certain that it is inserted fully into the tool cavity until it "clicks" into place.**

NOTE: To remove the battery from the drill, press down on the release button on the back of the battery (Figure 2) and slide out.

IMPORTANT CHARGING NOTES

1. After normal usage, your power pack should be fully charged in 3 to 6 hours. If the power pack is run-down completely, it may take up to 6 hours to become fully charged. Your power pack was sent from the factory in an uncharged condition. Before attempting to use it, it must be charged for at least 9 hours.
2. DO NOT charge the power pack in an air temperature below 40°F or above 105°F. This is important and will prevent serious damage to the power pack. Longest life and best performance can be obtained if power pack is charged when air temperature is about 75°F.
3. While charging, the charger may hum and become warm to touch. This is a normal condition and does not indicate a problem.
4. If the power pack does not charge properly—(1) Check current at receptacle by plugging in a lamp or other appliance. (2) Check to see if receptacle is connected to a light switch which turns power off when you turn out the lights. (3) Move charger and power pack to a surrounding air temperature of 40°F to 105°F. (4) If the receptacle and temperature are OK, and you do not get proper charging, take or send the power pack and charger to your local Black & Decker service center. See Tools Electric in yellow pages.
5. The power pack should be recharged when it fails to produce sufficient power on jobs which were easily done previously. DO NOT CONTINUE using product with its power pack in a depleted condition.
6. To prolong power pack life, avoid leaving the power pack on charge for extended periods of time (over 30 days without use). Although overcharging is not a safety concern, it can significantly reduce overall power pack life.
7. The power pack will reach optimum performance after being cycled 5 times during normal usage. There is no need to run the batteries down completely before recharging. Normal usage is the best method of discharging and recharging the batteries.

⚠ Safety Warnings and Instructions: Drills

1. Hold drill firmly to control the twisting action of the drill. See Figure 3.
2. When attaching accessories in the drill chuck, hand tighten the keyless chuck firmly.
⚠ **WARNING:** Drill may stall (if overloaded or improperly used) causing a twist. Always expect the stall. Grip the drill firmly to control the twisting action (see Fig. 3) and prevent loss of control which could cause personal injury. If a stall does occur, release the trigger immediately and determine the reason for the stall before re-starting.

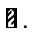
Operating Instructions

TRIGGER SWITCH & REVERSING BUTTON (FIGURE 4)

The drill is turned ON and OFF by pulling and releasing the trigger switch shown in Figure 3. The farther the trigger is depressed, the higher the speed of the drill. A forward/reverse control button determines the direction of the tool and also serves as a lock off button. To select forward rotation, release the trigger switch and depress the forward/reverse control button. To select reverse, depress the forward/reverse control button the opposite direction. The center position of the control button locks the tool in the off position. When changing the position of the control button, be sure the trigger is released.

TORQUE CONTROL (FIGURE 5)

This tool is fitted with a collar to select the operating mode and to set the torque for tightening screws. Large screws and hard workpiece materials require a higher torque setting than small screws and soft workpiece materials.

- For drilling in wood, metal and plastics, set the collar to the drilling position symbol .
- For screwdriving, set the collar to the desired setting. If you do not yet know the appropriate setting, proceed as follows:
 - Set the collar to the lowest torque setting.
 - Tighten the first screw.
 - If the clutch ratchets before the desired result is achieved, increase the collar setting and continue tightening the screw. Repeat until you reach the correct setting. Use this setting for the remaining screws.

KEYLESS CHUCK (FIGURE 6)

To insert a drill bit or other accessory:

1. Grasp the rear half of the chuck with one hand and use your other hand to rotate the front half in the counterclockwise direction, as viewed from the chuck end.
2. Insert the bit or other accessory fully into the chuck, and tighten securely by holding the rear half of the chuck and rotating the front portion in the clockwise direction as viewed from the chuck end.

⚠ **WARNING:** Do not attempt to tighten drill bits (or any other accessory) by gripping the front part of the chuck and turning the tool on. Damage to the chuck and personal injury may occur when changing accessories.

SCREW DRIVING

For driving fasteners, the reversing button should be pushed to the left. Use reverse (button pushed to the right) for removing fasteners. When moving from forward to reverse, or vice versa, always release the trigger switch first.

ON BOARD BIT STORAGE

A bit storage slot is built-in to the area just above the battery. Use the magnetic bit tip holder in conjunction with the 1 inch bit tips stored in the removable rubber cap on the end of the drill.

DRILLING

- Use sharp drill bits only.
 - Support and secure work properly, as instructed in the Safety Instructions.
 - Use appropriate and required safety equipment, as instructed in the Safety Instructions.
 - Secure and maintain work area, as instructed in the Safety Instructions.
 - Run the drill very slowly, using light pressure, until the hole is started enough to keep the drill bit from slipping out of it.
 - Apply pressure in a straight line with the bit. Use enough pressure to keep the bit biting but not so much as to stall the motor or deflect the bit.
 - **Hold the drill firmly with two hands to control its twisting action.**
 - **DO NOT CLICK THE TRIGGER OF A STALLED DRILL OFF AND ON IN AN ATTEMPT TO START IT. DAMAGE TO THE DRILL CAN RESULT.**
 - Minimize stalling on breakthrough by reducing pressure and slowly drilling through the last part of the hole.
 - Keep the motor running while pulling the bit out of a drilled hole. This will help reduce jamming.
 - **Make sure switch turns drill on and off.**
- ⚠ **WARNING:** It is important to support the work properly and to hold the drill firmly to prevent loss of control (figure 3) which could cause personal injury. If you have any questions on how to properly operate tool, call: **1-800-544-6986**.

DRILLING IN WOOD

Holes in wood can be made with the same twist drill bits used for metal or with spade bits. These bits should be sharp and should be pulled out frequently when drilling to clear chips from the flutes.

DRILLING IN METAL

Use a cutting lubricant when drilling metals. The exceptions are cast iron and brass which should be drilled dry. The cutting lubricants that work best are sulfurized cutting oil or lard oil.

DRILLING IN MASONRY

Use carbide tipped masonry bits. Refer to Drilling section. Keep even force on the drill but not so much that you crack the brittle material. A smooth, even flow of dust indicates the proper drilling rate.

Maintenance

Use only mild soap and damp cloth to clean the tool. Never let any liquid get inside the tool; never immerse any part of the tool into a liquid.

An occasional application of a household oil to the Quick Connect™ hex shaft will help prevent rust.

IMPORTANT: To assure product SAFETY and RELIABILITY, repairs, maintenance and adjustment (other than those listed in this manual) should be performed by authorized service centers or other qualified service organizations, always using identical replacement parts.

The RBRC™ Seal

The RBRC™ (Rechargeable Battery Recycling Corporation) Seal on the nickel-cadmium battery (or battery pack) indicates that the costs to recycle the battery (or battery pack) at the end of its useful life have already been paid by Black & Decker. In some areas, it is illegal to place spent nickel-cadmium batteries in the trash or municipal solid waste stream and the RBRC program provides an environmentally conscious alternative.



RBRC in cooperation with Black & Decker and other battery users, has established programs in the United States and Canada to facilitate the collection of spent nickel-cadmium batteries. Help protect our environment and conserve natural resources by returning the spent nickel-cadmium battery to an authorized Black & Decker service center or to your local retailer for recycling. You may also contact your local recycling center for information on where to drop off the spent battery, or call **1-800-8-BATTERY**.

Accessories

Recommended accessories for use with your tool are available from your local dealer or authorized service center. If you need assistance regarding accessories, please call: **1-800-544-6986**. The following accessories should be used only in the sizes specified below: BITS, METAL DRILLING – Up to 3/8" (9.5mm); BITS, MASONRY DRILLING – Up to 3/8" (9.5mm); WOOD DRILLING – Up to 1/2" (12.7mm).

⚠ **WARNING:** The use of any accessory not recommended for use with this tool could be hazardous.

Service Information

All Black & Decker Service Centers are staffed with trained personnel to provide customers with efficient and reliable power tool service. Whether you need technical advice, repair, or genuine factory replacement parts, contact the Black & Decker location nearest you. To find your local service location, refer to the yellow page directory under "Tools—Electric" or call: **1-800-544-6986** or visit www.blackanddecker.com

Full Two-Year Home Use Warranty

Black & Decker (U.S.) Inc. warrants this product for two years against any defects in material or workmanship. The defective product will be replaced or repaired at no charge in either of two ways.

The first, which will result in exchanges only, is to return the product to the retailer from whom it was purchased (provided that the store is a participating retailer). Returns should be made within the time period of the retailer's policy for exchanges (usually 30 to 90 days after the sale). Proof of purchase may be required. Please check with the retailer for their specific return policy regarding returns that are beyond the time set for exchanges.

The second option is to take or send the product (prepaid) to a Black & Decker owned or authorized Service Center for repair or replacement at our option. Proof of purchase may be required. Black & Decker owned and authorized Service Centers are listed under "Tools-Electric" in the yellow pages of the phone directory and available on our website www.blackanddecker.com.

This warranty does not apply to accessories. This warranty gives you specific legal rights and you may have other rights which vary from state to state. Should you have any questions, contact the manager of your nearest Black & Decker Service Center. This product is not intended for commercial use.

Imported by
Black & Decker (U.S.) Inc.,
701 E. Joppa Rd.
Towson, MD 21286 U.S.A.



See 'Tools-Electric'
– Yellow Pages –
for Service & Sales



SI VOUS AVEZ DES QUESTIONS OU VOUS
ÉPROUVEZ UN PROBLÈME AVEC L'OUTIL, COM-
POSEZ LE 1 800 544-6986.

IMPORTANTS RENSEIGNEMENTS :

- Charger le bloc-pile pendant 9 heures avant d'utiliser l'outil pour la première fois. Pour obtenir plus de renseignements, consulter la section «Chargement du bloc-pile» du présent guide.

RÈGLES DE SÉCURITÉ CONCERNANT LES OUTILS À PILE – GÉNÉRALITÉS

AVERTISSEMENT! LIRE, COMPRENDRE ET SUIVRE TOUTES LES DIRECTIVES précisées ci-dessous, y compris les consignes de sécurité, afin d'éviter les risques de choc électrique, d'incendie ou de blessure grave.

CONSERVER CES DIRECTIVES

ZONE DE TRAVAIL

- Garder la zone de travail propre et bien éclairée; les établis encombrés et les endroits sombres sont propices aux accidents.
- Ne pas utiliser les outils électriques dans une atmosphère explosive, comme à proximité de liquides, de gaz ou de poussières inflammables; le moteur peut créer des étincelles et enflammer les vapeurs ou les poussières environnantes.
- Tenir les enfants, les visiteurs ou toute autre personne éloignés lorsqu'on utilise un outil électrique; les distractions peuvent faire perdre la maîtrise de ce dernier.

MESURES DE SÉCURITÉ - ÉLECTRICITÉ

- Ne pas utiliser le cordon de manière abusive, ni transporter l'outil en le tenant par le cordon. On doit tenir le cordon éloigné des sources de chaleur, de l'huile, des bords tranchants ou des pièces mobiles. Remplacer immédiatement les cordons endommagés, car ces derniers augmentent les risques d'incendie.
- Un outil à piles intégrées ou à bloc-pile externe doit être rechargé seulement au moyen du chargeur approprié, car un chargeur destiné à une pile particulière pourrait entraîner un risque d'incendie lorsqu'il est utilisé avec une autre.
- N'utiliser l'outil à piles qu'avec le bloc-pile désigné, car l'utilisation d'un autre type de piles peut entraîner un risque d'incendie.

SÉCURITÉ PERSONNELLE

- Rester vigilant en tout temps et faire preuve de jugement lorsqu'on utilise un outil électrique; ne pas utiliser l'outil lorsqu'on est fatigué ou sous l'influence de drogues, d'alcool ou de médicaments, car un moment d'inattention pourrait entraîner des blessures graves.
- Porter des vêtements appropriés; ne pas porter de vêtements amples ni de bijoux. Couvrir ou attacher les cheveux longs. Garder les cheveux, les vêtements, les bijoux et les gants éloignés des pièces mobiles, car ceux-ci peuvent s'y coincer. Se tenir éloigné des événements puisque ces derniers pourraient camoufler des pièces mobiles.
- Éviter les démarrages accidentels; s'assurer que l'interrupteur est en position de verrouillage ou d'arrêt avant d'insérer un bloc-pile dans l'outil. Ne pas transporter l'outil en laissant le doigt sur l'interrupteur ni y insérer un bloc-pile lorsque l'interrupteur est en position de marche, car cela pourrait causer un accident.
- Retirer les clés de réglage avant de démarrer l'outil; une clé laissée sur une pièce rotative pourrait entraîner des blessures.
- Ne pas trop étendre les bras; les pieds doivent rester ancrés fermement au sol afin de maintenir son équilibre en tout temps et de mieux maîtriser l'outil dans des situations imprévues.
- Utiliser le matériel de sécurité approprié; toujours porter des lunettes de protection. Porter un masque anti-poussières, des chaussures antidérapantes, un casque de sécurité ou des protecteurs auditifs lorsque la situation le requiert.

UTILISATION ET ENTRETIEN DE L'OUTIL

- Fixer et soutenir la pièce sur une plate-forme stable au moyen d'une butée fixe ou de tout autre dispositif semblable; la pièce est instable lorsqu'on la retient manuellement ou qu'on l'appuie contre le corps, ce qui pourrait faire perdre la maîtrise de l'outil.
- Ne pas forcer l'outil ni l'utiliser pour des travaux autres que ceux pour lesquels il a été conçu. Pour obtenir de meilleurs résultats et prévenir les risques de blessure, laisser l'outil couper à la vitesse pour laquelle il a été conçu.
- Ne pas utiliser l'outil lorsque l'interrupteur marche-arrêt ne fonctionne pas; tout outil qui ne peut être commandé au moyen de l'interrupteur est dangereux et doit être réparé.
- Débrancher le bloc-pile de l'outil ou mettre l'interrupteur en position de verrouillage ou d'arrêt avant d'effectuer un réglage, de changer les accessoires ou de ranger l'outil; ces mesures de sécurité préventives réduisent les risques de démarrage accidentel.
- Lorsqu'on n'utilise pas l'outil, le ranger hors de la portée des enfants ou des personnes non qualifiées; les outils sont dangereux entre les mains de personnes inexpérimentées.
- Lorsqu'on n'utilise pas le bloc-pile, le ranger à l'écart des objets métalliques tels que les trombones, les pièces de monnaie, les clés, les clous, les vis ou autres petits objets susceptibles de conduire l'électricité entre les bornes et d'occasionner ainsi un court-circuit pouvant provoquer des étincelles, des brûlures ou un incendie.
- Bien entretenir l'outil et s'assurer qu'il est toujours bien propre et aiguisé; les outils bien entretenus et dont les bords sont bien tranchants sont moins susceptibles de rester coincés et sont plus faciles à maîtriser.
- Vérifier les pièces mobiles afin de s'assurer qu'elles sont bien alignées et qu'elles ne restent pas coincées; vérifier également les pièces afin de s'assurer qu'il n'y a ni bris ni aucune autre condition susceptible de nuire au bon fonctionnement de l'outil; faire réparer l'outil si ce dernier est endommagé avant de s'en servir à nouveau, car les accidents sont souvent causés par des outils mal entretenus.
- N'utiliser que les accessoires recommandés par le fabricant pour le modèle en question; un accessoire destiné à un outil particulier peut devenir dangereux lorsqu'il est utilisé avec un autre.

ENTRETIEN

- L'outil doit être entretenu ou réparé par le personnel qualifié seulement; toute maintenance effectuée par une personne non qualifiée pourrait entraîner des risques de blessure.
- Lors de l'entretien, n'utiliser que des pièces de rechange identiques et suivre les directives de la section «Entretien» du présent guide afin de prévenir les risques de choc électrique ou de blessure.

RÈGLES DE SÉCURITÉ PARTICULIÈRES

- Tenir l'outil par les surfaces isolées prévues à cette fin lorsqu'il risque d'entrer en contact avec des fils cachés ou le cordon, car de tels contacts peuvent mettre les pièces métalliques de l'outil sous tension, engendrant des risques de choc électrique.
- Lorsqu'on est installé sur une échelle ou un échafaudage pour travailler, on doit déposer l'outil sur le côté lorsqu'on ne s'en sert plus. Bien que certains outils munis d'un gros bloc-pile puissent être placés à la verticale, dans cette position, ils peuvent facilement être renversés.

AVERTISSEMENT : certains outils électriques, tels que les sableuses, les scies, les meules, les perceuses ou certains autres outils de construction, peuvent produire de la poussière contenant des produits chimiques susceptibles d'entraîner le cancer, des malformations congénitales ou pouvant être nocifs pour le système reproductif. Parmi ces produits chimiques, on retrouve :

- le plomb dans les peintures à base de plomb,
- la silice cristalline dans les briques et le ciment et autres produits de maçonnerie,
- l'arsenic et le chrome dans le bois de sciage ayant subi un traitement chimique (comme l'arséniat de cuivre et de chrome).

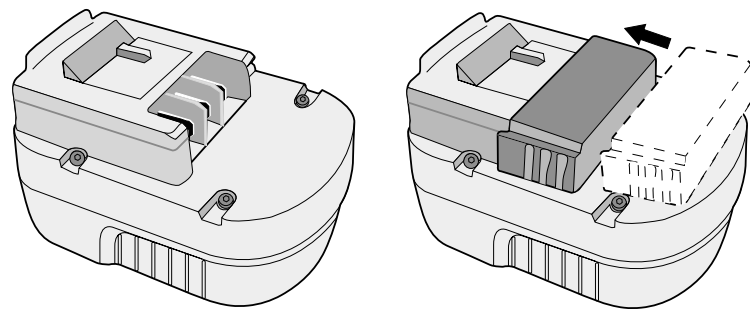
Le risque associé à de telles expositions varie selon la fréquence avec laquelle on effectue ces travaux. Pour réduire l'exposition à de tels produits, il faut travailler dans un endroit bien aéré et utiliser le matériel de sécurité approprié, tel un masque anti-poussières spécialement conçu pour filtrer les particules microscopiques.

- Éviter tout contact prolongé avec la poussière soulevée par cet outil ou autres outils électriques. Porter des vêtements de protection et nettoyer les parties exposées du corps avec de l'eau savonneuse. S'assurer de bien se protéger afin d'éviter d'absorber par la bouche, les yeux ou la peau des produits chimiques nocifs.

AVERTISSEMENT : cet outil peut produire et répandre de la poussière susceptible de causer des dommages sérieux et permanents au système respiratoire. Toujours utiliser un appareil respiratoire anti-poussières approuvé par le NIOSH ou l'OSHA. Diriger les particules dans le sens opposé du visage et du corps.

Information concernant le capuchon du bloc-pile

Un capuchon est fourni avec le bloc-pile en vue d'être utilisé chaque fois qu'on retire ce dernier de l'outil ou du chargeur en vue de le ranger ou de le transporter; enlever le capuchon avant de remettre le bloc-pile dans le chargeur ou dans l'outil.



AVERTISSEMENT : s'assurer, au moment de ranger ou de transporter le bloc-pile, qu'aucun objet métallique n'entre en contact avec les bornes à découvert du bloc-pile. Par exemple, il faut éviter de placer un bloc-pile sans capuchon dans un tablier, une poche, une boîte à outils ou un tiroir (etc.) contenant des objets tels que des clous, des vis ou des clés, car le bloc-pile pourrait causer un court-circuit et s'endommager, ou risquer de provoquer des brûlures ou un incendie.

L'étiquette de l'outil peut comporter les symboles suivants.

V	volts	A	ampères
Hz	hertz	W	watts
min	minutes	~	courant alternatif
===	courant continu	n _o	sous vide
☐	Construction de classe II	⊕	borne de mise à la minute
⚠	symbole d'avertissement	.../min	tours ou courses à la minute

Directives et consignes de sécurité concernant le chargement de la perceuse

1. Le présent guide comprend d'importantes directives, dont un mode d'emploi et des consignes de sécurité.
2. Avant d'utiliser le chargeur, lire toutes les directives et les étiquettes de mise en garde apposées sur (1) le chargeur, (2) la pile et (3) le produit utilisant la pile.
3. **MISE EN GARDE :** afin de réduire les risques de blessure, ne charger que des blocs-piles Black & Decker, car les autres peuvent éclater et entraîner des blessures ou des dommages matériels.
4. Ne pas exposer le chargeur à la pluie ou à la neige.
5. L'utilisation d'un accessoire n'étant ni recommandé ni vendu par Black & Decker peut entraîner des risques d'incendie, de choc électrique ou de blessure.
6. Afin de réduire les risques de dommage à la fiche ou au cordon électrique, débrancher le chargeur en saisissant la fiche, non le cordon.
7. S'assurer que le cordon est placé de manière à éviter qu'il ne subisse des dommages ou des contraintes ou que les personnes s'y prennent les pieds et trébuchent.
8. Ne pas utiliser de rallonge à moins que cela ne soit absolument nécessaire, car l'usage d'une rallonge ayant une puissance inadéquate pourrait causer des risques d'incendie, de choc électrique ou d'électrocution.
 - a) Bien qu'on puisse utiliser un cordon bifilaire avec une rallonge bifilaire ou trifilaire, on ne doit utiliser qu'une rallonge à cordon; on recommande que celle-ci soit approuvée par l'organisme américain Underwriters Laboratories (UL). Lorsqu'on utilise un outil électrique à l'extérieur, on ne doit utiliser que des rallonges conçues pour cet usage, comme celles de type W-A ou W. Toute rallonge conçue pour un usage extérieur peut aussi être employée à l'intérieur.
 - b) Afin d'éviter une perte de puissance ou une surchauffe et d'assurer la sécurité de l'utilisateur, la rallonge doit être de calibre AWG approprié. Plus le calibre est petit, plus la capacité est grande; autrement dit, une rallonge de calibre 16 est plus puissante qu'une rallonge de calibre 18. Lorsqu'on utilise plusieurs rallonges pour obtenir la longueur voulue, s'assurer que chacune d'elles présente les valeurs minimales requises.

CALIBRE MINIMAL RECOMMANDÉ DES RALLONGES (INTENSITÉ NOMINALE DE 0,0 À 10,0 AMPÈRES)

Longueur totale de la rallonge (en pieds)	25	50	75	100	125	150
Calibre AWG	18	18	16	16	14	14

9. Ne charger l'outil qu'au moyen du chargeur fourni, car l'usage de tout autre dispositif pourrait endommager l'outil ou engendrer une situation dangereuse.
10. N'utiliser qu'un seul chargeur durant le chargement.
11. Ne pas ouvrir le chargeur ni la perceuse; ces derniers ne contiennent aucune pièce pouvant être réparée par le client et doivent être retournés à un centre de service Black & Decker, le cas échéant.
12. NE PAS incinérer la perceuse ou le bloc-pile, y compris ceux gravement endommagés ou complètement déchargés, car ils peuvent exploser en présence de flammes.
13. Ne pas incinérer les piles, car elles peuvent exploser en présence de flammes. Les cellules peuvent subir une fuite légère par suite d'un usage extrême, du chargement ou d'une exposition à certaines températures; cela n'indique pas un problème. Cependant, si le scellant externe est percé et le liquide entre en contact avec la peau, on doit :
 - a. se laver rapidement la partie du corps touchée avec de l'eau savonneuse;
 - b. neutraliser l'effet au moyen d'un acide doux tel que du jus de citron ou du vinaigre;
 - c. si les yeux sont touchés, les rincer à fond avec de l'eau propre pendant au moins 10 minutes et consulter immédiatement un médecin. REMARQUE AUX FINS MÉDICALES : ce liquide contient une solution composée de 25 à 35 % d'hydroxyde de potassium.

CHARGEMENT DU BLOC-PILE

LE BLOC-PILE N'EST PAS COMPLÈTEMENT CHARGÉ EN USINE. IL IMPORTE DONC DE LIRE ATTENTIVEMENT TOUTES LES CONSIGNES DE SÉCURITÉ AVANT DE LE CHARGER.

Le chargeur est conçu pour être branché dans une prise résidentielle standard de 120 volts et de 60 Hz.

1. Brancher le chargeur dans une prise murale appropriée.
2. Glisser le bloc-pile dans le chargeur, tel qu'illustré à la figure 1, et le charger pendant 9 heures. Après la charge initiale et à la suite d'une utilisation normale, le bloc-pile devrait se charger complètement en 3 à 6 heures.
3. Débrancher le chargeur et retirer le bloc-pile. Mettre la pile dans l'outil en s'assurant de l'insérer complètement dans sa cavité jusqu'à ce que s'enclenche fermement. REMARQUE : pour retirer le bloc-pile de l'outil, appuyer sur le bouton de dégagement situé à l'arrière du bloc-pile (figure 2) et tirer sur ce dernier pour le dégager.

CONSEILS IMPORTANTS CONCERNANT LE CHARGEMENT

1. À la suite d'une utilisation normale, le bloc-pile devrait prendre de 3 à 6 heures pour se charger complètement, et jusqu'à 6 heures s'il est complètement déchargé. Le bloc-pile n'est pas chargé au moment de quitter l'usine; on doit donc le charger pendant au moins 9 heures avant de l'utiliser.
2. Afin d'éviter d'endommager le bloc-pile, il est important de NE PAS le charger à des températures inférieures à 4,5 °C (40 °F) ou supérieures à 40,5 °C (105 °F). Pour augmenter la durée de vie du bloc-pile et optimiser son rendement, le charger à une température d'environ 24°C (75 °F).
3. Le chargeur peut émettre un bourdonnement ou devenir chaud au toucher durant le

chargement. Cela est normal et n'indique pas la présence d'un problème.

4. Si le bloc-pile ne se charge pas normalement, il faut : (1) vérifier l'alimentation de la prise en y enfichant une lampe ou un appareil, (2) s'assurer que la prise n'est pas raccordée à un interrupteur qui coupe le courant lorsqu'on éteint les lumières, (3) placer le chargeur et le bloc-pile dans un endroit où la température ambiante est environ 4,5 °C (40 °F) à 40,5 °C (105 °F) ou, si le problème persiste, (4) retourner le bloc-pile et le chargeur au centre de service Black & Decker le plus près (les centres de service autorisés sont répertoriés dans les pages jaunes sous la rubrique «Outils - électriques»).

5. Le bloc-pile doit être rechargé lorsqu'il ne produit pas suffisamment de courant pour permettre à l'utilisateur de travailler normalement. On doit CESSER d'utiliser la perceuse dans de telles conditions.

6. On peut prolonger la durée de vie du bloc-pile en évitant de le laisser dans le chargeur pendant de longues périodes (plus de 30 jours lorsqu'on ne l'utilise pas). Bien que la surcharge du bloc-pile ne soit pas un problème au niveau de la sécurité, cette pratique peut réduire de façon appréciable sa durée de vie.

7. Le bloc-pile atteindra son rendement optimal après avoir terminé cinq cycles de charge et de décharge au cours d'une utilisation normale. Il n'est pas nécessaire de décharger complètement le bloc-pile avant de le recharger. Le meilleur moyen de charger et de décharger le bloc-pile est de l'utiliser normalement.

Directives et signes de sécurité concernant la perceuse

1. Saisir fermement la perceuse afin de maîtriser la torsion de cette dernière (voir la figure 3).

2. Lorsqu'on utilise un mandrin sans clé, on doit le serrer fermement à la main.

⚠ AVERTISSEMENT : La perceuse peut caler (à la suite d'une surcharge ou d'un mauvais usage) et causer un mouvement de torsion; on doit toujours prévoir un tel incident. Saisir la perceuse fermement afin de maîtriser la torsion de cette dernière (fig. 3) et d'éviter de perdre la maîtrise, ce qui pourrait entraîner des blessures. Si la perceuse cale, relâcher immédiatement la gâchette et en déterminer la cause avant de redémarrer l'outil.

Mode d'emploi

INTERRUPTEUR À GÂCHETTE ET BOUTON DE COMMANDE DE MARCHÉ ARRIÈRE (FIGURE 4)

Pour mettre la perceuse en position de marche ou d'arrêt, il suffit de tirer sur l'interrupteur à gâchette, puis de le relâcher, tel qu'illustré à la figure 4. Plus on appuie sur la gâchette, plus la vitesse est élevée. Un bouton de commande de marche avant-arrière, qui sert aussi de bouton de verrouillage en position d'arrêt, détermine la direction de marche de l'outil. Pour sélectionner la position de marche avant, relâcher l'interrupteur à gâchette et enfoncer le bouton de commande. Pour sélectionner la position de marche arrière, appuyer sur le même bouton pour choisir la direction opposée. La position centrale du bouton sert à verrouiller l'outil en position d'arrêt. On doit toujours relâcher la gâchette lorsqu'on change la position du bouton.

RÉGULATEUR DE COUPLE (FIGURE 5)

L'outil est doté d'un collier qui permet de choisir le mode de fonctionnement et de serrer les vis selon le couple voulu. Le réglage des grosses vis et des matériaux durs doit être plus élevé que celui des petites vis et des matériaux mous.

- Pour percer un trou dans le bois, le métal ou le plastique, régler le collier à la position de perçage indiquée par le symbole.
- Pour utiliser l'outil comme tournevis, régler le collier à la position voulue. Si on ne connaît pas encore la position correcte, procéder comme suit :
- Régler le collier à la plus basse position.
- Serrer la première vis.
- Si l'embrayage de l'outil se met à encliqueter avant que la vis ne soit bien ancrée, tourner le collier vers une position plus élevée et enfoncer complètement la vis. Continuer de tourner le collier jusqu'à la position voulue. Conserver ce réglage pour serrer les autres vis.

MANDRIN SANS CLÉ (FIGURE 6)

Pour insérer une mèche ou tout autre accessoire, on doit :

1. saisir la partie arrière du mandrin d'une main et utiliser l'autre pour faire tourner la partie avant vers la gauche, lorsqu'on le regarde de l'extrémité du mandrin.
2. insérer la mèche ou l'accessoire jusqu'au fond du mandrin, puis serrer fermement en tenant la partie arrière du mandrin d'une main et en faisant tourner de l'autre la partie avant vers la droite (lorsqu'on le regarde de l'extrémité du mandrin).

⚠ AVERTISSEMENT : ne pas serrer la mèche (ou l'accessoire) en saisissant la partie avant du mandrin et en faisant fonctionner l'outil, ce qui aurait pour effet d'endommager le mandrin ou de blesser l'utilisateur lorsqu'il change les accessoires.

MODE TOURNEVIS

Pour enfoncer des attaches, pousser le bouton de commande de marche arrière vers la gauche; pousser le bouton vers la droite pour les retirer. On doit toujours relâcher l'interrupteur à gâchette lorsqu'on change la position du bouton de la marche avant à la marche arrière, ou vice versa.

COMPARTIMENT DE RANGEMENT INTÉGRÉ

Un petit compartiment est intégré dans la section située juste au-dessus de la pile afin d'y ranger le tournevis. Utiliser le porte-mèche magnétique avec les mèches de 2,54 cm (1 po) rangées dans le capuchon en caoutchouc détachable fixé à l'extrémité de la perceuse.

MODE PERÇAGE

- Utiliser des mèches aiguisées seulement.
- Bien soutenir et fixer la pièce, conformément aux consignes de sécurité.
- Utiliser le matériel de sécurité approprié, conformément aux consignes de sécurité.
- Garder la zone de travail propre et sécuritaire, conformément aux consignes de sécurité.
- Faire fonctionner la perceuse très lentement en exerçant une légère pression, jusqu'à ce que le trou soit suffisamment profond pour empêcher la mèche d'en sortir.
- Appliquer une pression en ligne droite au moyen de la mèche en exerçant juste assez de pression pour permettre à la mèche de mordre dans la pièce, en évitant de caler le moteur ou de faire dévier la mèche.
- Saisir fermement la perceuse des deux mains afin de maîtriser la torsion de cette dernière.
- NE PAS ENFONCER ET RELÂCHER LA GÂCHETTE À PLUSIEURS REPRISES POUR ESSAYER DE REDÉMARRER LA PERCEUSE AFIN D'ÉVITER DE L'ENDOMMAGER.
- Réduire les risques de calage au minimum en réduisant la pression lorsque la mèche perce le matériau et en perçant lentement la dernière section du trou.
- Maintenir le moteur en marche lorsqu'on retire la mèche du trou percé afin d'éviter qu'elle reste coincée.
- S'assurer que l'interrupteur puisse mettre la perceuse en position de marche ou d'arrêt.

⚠ AVERTISSEMENT : il est important de bien immobiliser la pièce et de saisir fermement l'outil afin d'éviter de perdre la maîtrise (fig. 3), ce qui pourrait entraîner des blessures. Pour obtenir de plus amples renseignements sur le fonctionnement de cet outil, composer le 1 800 544-6986.

PERÇAGE DU BOIS

On peut percer le bois au moyen des mèches hélicoïdales qu'on utilise pour le métal ou de mèches à vrille. On doit utiliser des mèches bien aiguisées et les sortir fréquemment pour enlever les copeaux restés coincés dans les cannelures.

PERÇAGE DU MÉTAL

Utiliser une huile de coupe lorsqu'on perce des métaux, à l'exception de la fonte et du laiton, car ces derniers doivent être percés à sec. Pour cette tâche, les meilleurs lubrifiants sont l'huile sulfurée et l'huile de lard.

PERÇAGE DE LA MAÇONNERIE

Utiliser des mèches à pointe carburée (voir la section « Mode perçage »). Maintenir une pression uniforme sur la perceuse, sans trop forcer pour éviter de fissurer les matériaux plus cassants. La vitesse choisie est appropriée lorsque la poussière est soulevée uniformément et régulièrement.

Entretien

N'utiliser que du savon doux et un chiffon humide pour nettoyer l'outil; ne jamais laisser de liquide pénétrer à l'intérieur de ce dernier et ne jamais l'immerger dans un liquide quelconque.

IMPORTANT : pour assurer la SÉCURITÉ et la FIABILITÉ de ce produit, toutes les opérations de réparation, d'entretien et de réglage (autres que celles décrites aux présentes) doivent être effectuées dans un centre de service autorisé ou par du personnel qualifié; on ne doit utiliser que des pièces de rechange identiques.

SCEAU RBRC^{MC}

Le sceau RBRC^{MC} de la Rechargeable Battery Recycling Corporation apposé sur la pile au nickel-cadmium (ou le bloc-pile) indique que les coûts de recyclage de ce dernier à la fin de sa vie utile ont déjà été payés par Black & Decker. En certains endroits, la mise au rebut ou aux ordures municipales des piles au nickel-cadmium est illégale; le programme de «RBRC» constitue donc une solution des plus pratiques et écologiques.

La «RBRC», en collaboration avec Black & Decker et d'autres utilisateurs de piles, a mis sur pied des programmes aux États-Unis et au Canada dans le but de faciliter la collecte des piles déchargées. Black & Decker encourage ses utilisateurs à participer à son programme de protection de l'environnement et de conservation des ressources naturelles en retournant les piles usagées à un centre de service Black & Decker ou chez un dépositaire local afin qu'elles puissent être recyclées. On peut en outre se renseigner auprès d'un centre de recyclage local pour connaître d'autres sites les acceptant, ou composer le 1 800 8-228-8379 pour obtenir de l'information sur le recyclage de ces piles dans sa région.

ACCESSOIRES

Les accessoires recommandés pour chaque outil sont vendus séparément chez les dépositaires locaux ou dans les centres de service autorisés. Pour obtenir plus d'information sur les accessoires, composer le 1 800 544-6986. On ne doit utiliser que des accessoires ayant les dimensions précisées ci-dessous :

MÈCHES À MÉTAL	jusqu'à 9,5 mm (3/8 po)
MÈCHES À MAÇONNERIE	jusqu'à 9,5 mm (3/8 po)
MÈCHES À BOIS	jusqu'à 12,7 mm (1/2 po)

⚠ AVERTISSEMENT : l'usage d'un accessoire non recommandé peut présenter un danger.

INFORMATION SUR LES SERVICES

Tous les centres de service Black & Decker sont dotés de personnel qualifié en matière d'outillage électrique; ils sont donc en mesure d'offrir à leur clientèle un service efficace et fiable. Pour obtenir un conseil technique ou une pièce d'origine ou pour faire réparer un outil, on peut communiquer avec le centre Black & Decker le plus près. Pour obtenir le numéro de téléphone, consulter les pages jaunes sous la rubrique «Outils - électriques», composer le 1 800 544-6986 ou encore, visiter notre site Web www.blackanddecker.com.

GARANTIE COMPLÈTE DE DEUX ANS POUR USAGE RÉSIDENTIEL

Black & Decker (U.S.) Inc. garantit ce produit pour une période de deux ans contre tout défaut de matériel ou de fabrication. Le produit défectueux sera remplacé ou réparé sans frais, suivant l'une des deux méthodes suivantes.

La première méthode consiste en un échange seulement. On doit retourner le produit au détaillant qui l'a vendu (pourvu qu'il s'agisse d'un détaillant participant), en respectant les délais stipulés dans sa politique relative aux échanges (normalement de 30 à 90 jours après la vente). Une preuve d'achat peut être requise. On doit vérifier la politique de retour du détaillant pour tout produit retourné après le délai prescrit pour les échanges.

La deuxième méthode consiste à apporter ou à envoyer le produit (prépayé) à un centre Black & Decker ou à un centre de service autorisé aux fins de réparation ou de remplacement, selon notre choix. Une preuve d'achat peut être requise. Les centres Black & Decker et les centres de service autorisés sont répertoriés dans les pages jaunes sous la rubrique «Outils - électriques» et sur notre site Web www.blackanddecker.com.

Cette garantie ne s'applique pas aux accessoires. Elle confère des droits légaux particuliers à l'acheteur, mais celui-ci pourrait aussi bénéficier d'autres droits variant d'un territoire à l'autre.

Toute question doit être adressée au gérant du centre Black & Decker le plus près. Ce produit n'est pas destiné à un usage commercial.

Imported by / Importé par
Black & Decker Canada Inc.
100 Central Ave.
Brockville (Ontario) K6V 5W6

Voir la rubrique "Outils électriques"
des Pages Jaunes
pour le service et les ventes.



POR FAVOR LLAME AL (55)2326-7100 ANTES DE
DEVOLVER ESTE PRODUCTO,
CUALQUIERA SEA LA RAZÓN.

INFORMACIÓN CLAVE QUE DEBE SABER:

- Cargue la batería por 9 horas antes de usarla por primera vez. Para mayor información, refiérase a la sección 'Cómo cargar la unidad de alimentación'.

NORMAS DE SEGURIDAD GENERAL – PARA TODA HERRAMIENTA OPERADA A BATERÍA

⚠ AVERTISSEMENT : LEA Y ASEGÚRESE DE COMPRENDER BIEN TODAS LAS INSTRUCCIONES. El incumplimiento de todas las instrucciones enumeradas más abajo puede resultar en descarga eléctrica, incendio y/o lesiones corporales serias.

GUARDE ESTAS INSTRUCCIONES

ÁREA DE TRABAJO

- Mantenga su área de trabajo limpia y bien iluminada. Los accidentes abundan en las mesas de trabajo desordenadas y áreas oscuras.
- No opere máquinas herramienta en ambientes explosivos, tales como en presencia de líquidos, gases o polvos inflamables. Las máquinas herramienta generan chispas que pueden inflamar el polvo o los gases.
- No use máquinas herramienta en presencia de niños u otras personas. Las distracciones pueden hacerle perder el control.

SEGURIDAD ELÉCTRICA

- No abuse del cable. Nunca levante las herramientas por el cable. Mantenga el cable alejado de fuentes de calor, aceite, bordes afilados o piezas en movimiento. Reemplace de inmediato cualquier cable dañado. Los cables dañados pueden causar incendios.
- Las herramientas operadas a batería que poseen baterías integradas o una unidad independiente de alimentación deben ser recargadas solamente con el cargador especificado para la batería. Algunos cargadores pueden ser apropiados para un tipo de batería pero pueden crear riesgo de incendio cuando se utilizan con otra.
- Sólo utilice la herramienta operada a batería con la unidad de alimentación específicamente designada para ella. El uso de cualquier otra batería puede crear riesgo de incendio.

SEGURIDAD PERSONAL

- Manténgase alerta, ponga atención a su trabajo y use su sentido común cuando opere una máquina herramienta. No use la herramienta cuando esté cansado o bajo la influencia de drogas, alcohol o medicamentos. Sólo hace falta un momento de distracción durante la operación de máquinas herramienta para causar lesiones corporales serias.
- Vístase debidamente. No se ponga ropa suelta o joyas. Amárrse el pelo. Mantenga alejados de las piezas en movimiento su pelo, ropa y guantes. Ropa suelta, joyas o pelo largo pueden quedar atrapados en piezas en movimiento. Las rejillas de ventilación cubren piezas en movimiento y deberían ser evitadas.
- Evite encender la herramienta en forma accidental. Asegure que el conmutador esté bloqueado o apagado antes de insertar la unidad de alimentación. El sujetar la herramienta con el dedo en el conmutador o insertar la unidad de alimentación a una herramienta ya encendida, se presta para que ocurran accidentes.
- Quite toda llave de ajuste antes de encender la herramienta. El dejar una llave puesta en una pieza rotante de la herramienta puede resultar en lesión corporal.
- No se sobreextienda. Mantenga siempre el equilibrio. Si mantiene el equilibrio podrá tener mejor control de la herramienta en situaciones inesperadas.
- Use equipo de seguridad. Siempre use gafas de protección. Se debe usar máscara antipolvo, calzado de seguridad antideslizante, casco de seguridad o protección auditiva, dependiendo de las condiciones que apliquen.

USO Y CUIDADO DE LA HERRAMIENTA

- Use abrazaderas u otra manera práctica de fijar y sujetar la pieza de trabajo a una plataforma estable. No sujete su trabajo en forma manual o contra su cuerpo pues no quedará estable y podrá perder el control.

- No fuerce la herramienta. Use la herramienta correcta para su aplicación. La herramienta apropiada hará un trabajo mejor y más seguro para el propósito para el cual fue diseñada.
- No use la herramienta si el conmutador no funciona bien. Cualquier herramienta que no puede ser controlada con el conmutador es peligrosa y debe ser reparada.
- Desconecte la unidad de alimentación de la herramienta o ponga el conmutador en la posición bloqueada o apagada antes de ajustar la herramienta, cambiar de accesorio o guardarla. Tales medidas preventivas reducen el riesgo de encender la herramienta en forma accidental.
- Cuando no esté en uso, almacene su herramienta fuera del alcance de niños y otras personas no capacitadas en su funcionamiento. Las herramientas son peligrosas en manos de personas no capacitadas.
- Cuando la unidad de alimentación no esté en uso, manténgala alejada de otros objetos metálicos tales como: sujetapapeles, monedas, llaves, clavos u otros objetos metálicos pequeños que podrían generar una conexión entre sus terminales. Provocar un cortocircuito entre los terminales de la batería puede causar chispas, quemaduras o incendios.
- Cuide sus herramientas. Mantenga herramientas usadas para cortar afiladas y limpias. Las herramientas afiladas tienen menos probabilidades de trabarse y son más fáciles de controlar si son debidamente mantenidas.
- Revise la herramienta para verificar que no esté mal alineada, que sus piezas móviles no estén trabadas o rotas y que no exista otra condición que pudiera afectar su operación. Si está dañada, llévela a ser reparada antes de usarla. Muchos accidentes son causados por usar herramientas que no han sido bien mantenidas.
- Utilice sólo aquellos accesorios que hayan sido recomendados por el fabricante para su modelo. Algunos accesorios pueden ser apropiados para una herramienta pero pueden crear un riesgo de lesión cuando se utilizan con otra.

SERVICIO

- El servicio a la herramienta sólo debe ser realizado por personal de reparación calificado. Si el servicio o mantenimiento es realizado por personal no calificado, podría resultar en riesgo de lesión.
- Cuando se repare una herramienta, sólo se deben usar repuestos originales. Siga las instrucciones en la sección de mantenimiento de este manual. El uso de repuestos no autorizados o el incumplimiento de las instrucciones de mantenimiento pueden crear un riesgo de descarga eléctrica o lesión.

NORMAS ESPECÍFICAS DE SEGURIDAD

- Sostenga la herramienta por sus superficies de empuñadura aisladas cuando realice una operación en la cual la herramienta para cortar pudiera entrar en contacto con instalaciones eléctricas ocultas o con su propio cable. El contacto con un cable cargado, cargará a su vez las partes metálicas expuestas de la herramienta y dará un golpe de corriente al operador.
- Cuando trabaje desde una escalera o andamio, asegúrese de echar la herramienta sobre un costado cuando no esté en uso. Algunas herramientas con unidades de alimentación grandes pueden ser colocadas en posición vertical pero pueden ser fácilmente botadas.
- ▲ **ADVERTENCIA:** Algunos tipos de polvo, como aquellos generados por el lijado, serruchado, pulido y taladrado mecánico y otras actividades de construcción, contienen químicos que se sabe causan cáncer, defectos de nacimiento y otros daños reproductivos. Algunos ejemplos de estos químicos son:
 - plomo de algunas pinturas,
 - polvo de sílice proveniente de ladrillos y cemento y otros productos de albañilería, y
 - arsénico y cromo provenientes de maderas tratadas con químicos (arseniato de cobre cromado).

Su riesgo de exposición a estos químicos varía, dependiendo de la frecuencia con la cual realiza usted este tipo de trabajo. Para reducir su exposición a estos químicos, trabaje en un lugar con buena ventilación y trabaje con equipo de seguridad aprobado, como máscaras antipolvo especialmente diseñadas para filtrar partículas microscópicas.

- Evite el contacto prolongado con polvo generado por el lijado, serruchado, pulido y taladrado mecánico y otras actividades de construcción. Vístase con ropa de protección y lave con agua y jabón las áreas de su cuerpo que hayan sido expuestas. La penetración de polvo a la boca o los ojos o el contacto de este con la piel, puede promover la absorción de químicos dañinos.

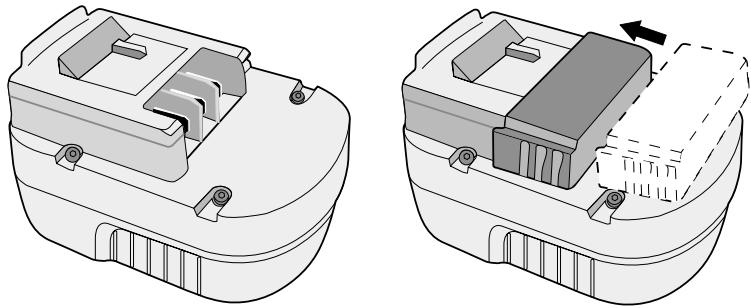
- ▲ **ADVERTENCIA:** El uso de esta herramienta puede generar y/o dispersar polvo, lo cual puede causar lesiones respiratorias o de otro tipo, serias y permanentes. Siempre use protección respiratoria aprobada por NIOSH (Instituto Nacional de Seguridad y Salud en el Trabajo) u OSHA (Administración de Seguridad y Salud en el Trabajo) apropiada para la exposición al polvo. Dirija las partículas en dirección contraria a la cara y el cuerpo.

La etiqueta de su herramienta puede incluir los siguientes símbolos.

V	volts	A	amperes
Hz	hertz	W	watts
min	minutos	~	corriente alterna
====	corriente directa	no	velocidad sin carga
☐	construcción clase II	⊕	terminales de conexión a tierra
⚠	símbolo de alerta seguridad	.../min	revoluciones o reciprocaciones por minuto

INFORMACIÓN ACERCA DEL PROTECTOR DE LA BATERÍA

Se han incluido protectores para el almacenaje y transporte de la batería. Estos deben ser usados cuando la batería no esté conectada a la herramienta ni en el cargador. Recuerde quitar el protector antes de poner la batería en el cargador o conectarla a la herramienta.



ADVERTENCIA: No almacene ni transporte la batería de modo que los terminales expuestos de la batería pudieran entrar en contacto con objetos metálicos. Por ejemplo, no almacene la batería en delantales, bolsillos, cajas de herramientas, cajas del kit del producto, cajones, etc. con clavos, tornillos, llaves u otros objetos metálicos sueltos sin el protector de batería. Si la batería no tiene el protector puesto, hará cortocircuito y podría causar incendios, quemaduras o daños a la batería.

Advertencias e instrucciones de seguridad: Cómo cargar el taladro

1. Este manual contiene instrucciones de seguridad y operación importantes.
 2. Antes de usar el cargador de batería, lea todas las instrucciones y marcas de advertencia en (1) el cargador de la batería, (2) la batería y (3) el producto que utiliza la batería.
 3. ▲ **ATENCIÓN:** Para reducir el riesgo de lesión, sólo cargue unidades de alimentación Black & Decker.
- Otros tipos de baterías podrían reventarse y causar lesiones corporales y otros daños.
4. No exponga el cargador a lluvia o nieve.
 5. El uso de un accesorio no recomendado o vendido por Black & Decker podría resultar en riesgo de incendio, descarga eléctrica o lesiones corporales.
 6. Para reducir el riesgo de daño al enchufe y cable de alimentación, jale del enchufe y no del cable cuando desconecte el cargador.
 7. Asegúrese que el cable no sea ubicado de manera que podría ser pisado, causar que alguien tropiece con él o ser expuesto a otro tipo de daños.
 8. No se debería usar un alargador a no ser que sea absolutamente necesario. El uso de un alargador incorrecto podría resultar en riesgo de incendio, descarga eléctrica o electrocución.
 - a. Cables de dos hilos pueden ser usados con alargadores de 2 ó 3 hilos. Sólo se deben usar alargadores con revestimiento redondo y recomendamos que además se encuentren

en la lista de Underwriters Laboratories (U.L.). Si el alargador será utilizado en la intemperie, el cable debe ser adecuado para uso exterior. Cualquier cable marcado para uso exterior es también adecuado para uso interior. Las letras "W" o "WA" en el revestimiento del cable indican que el cable puede ser usado en la intemperie.

b. Los hilos del alargador deben ser de un calibre apropiado (AWG o American Wire Gauge) para su seguridad y para evitar la pérdida de potencia y sobrecalentamiento. Mientras menor sea el calibre del hilo, mayor la capacidad del cable. Es decir, un hilo calibre 16 tiene mayor capacidad que uno de 18. Cuando se utilice más de un alargador para completar el largo total, asegúrese que los hilos de cada alargador tengan el calibre mínimo.

CALIBRE AWG	MINIMO RECOMENDADO PARA LOS CORDONES DE EXTENSION						
	Longitud total del cable de extensión (metros)						
	7,6	15,2	22,8	30,4	38,1	45,7	53,3
Calibre del alambre	18	18	16	16	14	14	12

9. Sólo use el cargador que viene con la herramienta cuando cargue su taladro. El uso de cualquier otro cargador podría dañar el taladro o crear una situación de peligro.
10. Sólo use un cargador cuando lo cargue.
11. No intente abrir el cargador o el taladro. No contienen piezas que puedan ser reparadas por el usuario. Devuelva a cualquier centro de servicio Black & Decker autorizado.
12. NO incinere el taladro o las unidades de alimentación aunque se encuentren gravemente dañados o completamente gastados. Las baterías pueden explotar en un incendio.
13. No incinere las baterías. Pueden explotar en un incendio. Las celdas de la batería pueden tener fugas pequeñas de líquido cuando han sido usadas o cargadas durante períodos demasiado largos, o bajo ciertas condiciones de temperatura. Esto no indica una falla. Sin embargo, si el sello externo ha sido roto y su piel entra en contacto con el líquido:
 - a. Lave rápidamente con jabón y agua.
 - b. Neutralice con un ácido suave como jugo de limón o vinagre.
 - c. Si el líquido de la batería le entra a los ojos, lávelos con agua limpia por al menos 10 minutos y hágase ver por un médico de inmediato. **NOTA MÉDICA:** El líquido es una solución de 25-35% de hidróxido de potasio.

CÓMO CARGAR LA UNIDAD DE ALIMENTACIÓN

LAS BATERÍAS DE SU UNIDAD DE ALIMENTACIÓN NO VIENEN COMPLETAMENTE CARGADAS DE LA FÁBRICA. ANTES DE INTENTAR CARGARLAS, LEA CONCIENZUDAMENTE TODAS LAS INSTRUCCIONES DE SEGURIDAD.

El cargador está diseñado para utilizar la corriente doméstica estándar de 120 voltios 60 Hz.

1. Enchufe el cargador en cualquier toma de corriente estándar de 120 voltios 60 Hz.
 2. Deslice el cargador en la unidad de alimentación como lo muestra la Figura 1 y deje que la batería se cargue inicialmente por **9 horas**. Luego de la carga inicial, su unidad de alimentación debería cargarse completamente en **3 a 6 horas**, si tiene una frecuencia de uso normal.
 3. Desenchufe el cargador y quite la unidad de alimentación. **Conecte la batería a la herramienta y asegúrese que quede completamente insertada en la cavidad de la herramienta, hasta escuchar un 'clíc'.**
- NOTA:** Para quitar la batería del taladro, presione el pulsador de liberación que se encuentra en la parte posterior de la batería (Figura 2) y deslícela hacia afuera.

NOTAS IMPORTANTES RESPECTO AL PROCESO DE CARGA

1. Luego de un uso normal, su unidad de alimentación debería quedar completamente cargada en 3 a 6 horas. Si la unidad de alimentación ha sido completamente agotada, puede tomar hasta 6 horas en cargarse por completo. Su unidad de alimentación no viene cargada de la fábrica. Antes de intentar usarla, debe ser cargada por al menos 9 horas.
2. NO cargue la unidad de alimentación cuando la temperatura del aire sea menor a 40°F (-4°C) o mayor a 105°F (~40°C). Esto es importante y prevendrá que la unidad de alimentación sea seriamente dañada. Se puede lograr una mayor duración y mejor rendimiento si la unidad de alimentación se carga cuando la temperatura del aire sea de aproximadamente 75°F (~24°C).
3. Mientras carga, el cargador puede emitir un zumbido y hacerse caliente al tacto. Esto es normal y no indica un problema.
4. Si la unidad de alimentación no se carga bien — (1) Revise que la toma de corriente funcione bien. Enchufe una lámpara u otro aparato en ella. (2) Revise si la toma de corriente está conectada a un interruptor que apaga la corriente cuando apaga la luz. (3) Lleve el cargador y la unidad de alimentación a un lugar cuya temperatura ambiental sea entre 40 y 105°F (~4 a 40°C). (4) Si el enchufe y la temperatura están bien y aún no consigue cargar la batería, traiga o envíe su unidad de alimentación y cargador a su centro local de servicio Black & Decker. Busque bajo 'Herramientas eléctricas' en las páginas amarillas.
5. La unidad de alimentación debería ser recargada cuando no sea capaz de producir suficiente potencia para trabajos que eran fácilmente realizados antes. NO SIGA usando el producto cuando su unidad de alimentación se encuentre agotada.
6. Para prolongar la duración de la unidad de alimentación, evite dejarla cargando durante períodos de tiempo muy largos (más de 30 días sin usar). A pesar que el sobrecargarla no es motivo de preocupación desde el punto de vista de seguridad, puede reducir significativamente la duración general de la unidad de alimentación.
7. La unidad de alimentación alcanzará su rendimiento óptimo una vez que haya sido recargada 5 veces durante uso normal. No es necesario agotar las baterías por completo antes de recargarlas. El uso normal es la mejor manera de descargar y recargar las baterías.

ADVERTENCIAS E INSTRUCCIONES DE SEGURIDAD: TALADROS

1. Sujete el taladro firmemente para controlar su acción de torsión. Ver Figura 3.
 2. Cuando ponga accesorios en el portabrocas, ajuste el portabrocas sin llave manualmente y con firmeza.
- ▲ **ADVERTENCIA:** El taladro puede atascarse (si está sobrecargado o no es debidamente usado), lo que causará una torsión. Siempre anticipe un atascamiento. Sujete el taladro firmemente para controlar su acción de torsión (ver Fig. 3) y evitar perder el control, lo cual podría causar lesiones corporales. Si llegase a ocurrir, suelte el gatillo de inmediato y determine cuál es la razón del atascamiento antes de retomar el trabajo.

Instrucciones de funcionamiento

CONMUTADOR TIPO GATILLO Y BOTÓN DE REVERSA (FIGURA 4)

El taladro se enciende y apaga al tirar y soltar el gatillo, como lo muestra la Figura 4. Mientras más se tire del gatillo, mayor será la velocidad del taladro. Tiene un botón para cambiar la dirección de la herramienta y además sirve para bloquearla. Para seleccionar una rotación en dirección a las manillas del reloj, suelte el conmutador tipo gatillo y presione el botón de reversa. Para seleccionar una rotación en dirección contraria, presione el botón de reversa en la dirección opuesta. La posición central del botón de control bloquea la herramienta dejándola apagada. Cuando cambie la posición del botón de control, asegúrese de soltar el gatillo.

CONTROL DEL PAR TORSOR (FIGURA 5)

Esta herramienta viene con una rueda para seleccionar el modo de funcionamiento y fijar el par torsor para ajustar tornillos. Los tornillos grandes y piezas fabricadas con materiales duros requieren un mayor par torsor que los tornillos pequeños y piezas de materiales blandos.

- Para taladrar en madera, metal y plásticos, fije la rueda en la posición del taladro con el símbolo |.
- Para atornillar, fije la rueda en la posición deseada. Si no conoce la posición apropiada, haga lo siguiente:
 - Fije la rueda en la posición de menor par torsor.
 - Ajuste el primer tornillo.
 - Si el portabrocas emite un ruido de chicharra y se tranca (ratchets) antes de lograr el resultado deseado, aumente el par torsor y siga ajustando el tornillo. Repita hasta que alcance la posición correcta. Use esta configuración para los demás tornillos.

PORTABROCAS SIN LLAVE (FIGURA 6)

- Para insertar una broca u otro accesorio:
1. Sujete la mitad posterior del portabrocas con una mano y con la otra gire la otra mitad en dirección contraria a las manillas del reloj, desde el punto de vista del extremo del portabrocas.
 2. Inserte la broca u otro accesorio completamente en el portabrocas y ajuste firmemente sujetando la mitad posterior del portabrocas y girando la otra mitad en la dirección de las manillas del reloj, desde el punto de vista del extremo del portabrocas.

⚠️ ADVERTENCIA: No intente ajustar brocas (u otros accesorios) sujetando la parte delantera del portabrocas y encendiendo la herramienta. Puede dañar el portabrocas y causar lesiones corporales cuando cambie de accesorio.

ATORNILLADO

Para atornillar, el botón de reversa debe estar empujado hacia la izquierda. Use la dirección reversa (el botón empujado hacia la derecha) para destornillar. Cuando cambie la dirección siempre suelte el conmutador tipo gatillo primero.

ALMACENAMIENTO DE PIEZAS EN LA HERRAMIENTA

Hay una ranura de almacenamiento de piezas empotrada en el área justo encima de la batería. Use el sujetador magnético de piezas con las piezas de 1 pulgada almacenadas en la tapa de goma desmontable en el extremo del taladro.

TALADRADO

- Sólo use brocas afiladas.
- Soporte y sujete su trabajo debidamente, como se describe en las 'Instrucciones de seguridad'.
- Use el equipo de seguridad apropiado que sea necesario, como se describe en las 'Instrucciones de seguridad'.
- Sujete y mantenga su área de trabajo, como se describe en las 'Instrucciones de seguridad'.
- Haga funcionar el taladro a una velocidad bastante reducida y usando una presión ligera, hasta que el orificio sea suficientemente grande como para prevenir que la broca se deslice accidentalmente fuera de él.
- Aplique presión en línea recta con la pieza. Use suficiente presión como para que la pieza siga calando pero no demasiada para prevenir que el motor se atasque o hacer desviar la pieza.
- Sujete el taladro firmemente con ambas manos para controlar su acción de torsión.
- **NO INTENTE ENCENDER UN TALADRO ATASCADO PRESIONANDO Y SOLTANDO REPETIDAMENTE EL CONMUTADOR TIPO GATILLO. PUEDE DAÑAR EL TALADRO DE ESTA MANERA.**
- Minimice atascamientos al atravesar el material, reduciendo la presión ejercida y perforando la parte final del orificio lentamente.
- Mantenga el motor encendido mientras saca la pieza del orificio perforado. Esto ayudará a reducir atascamientos.
- Asegúrese que el conmutador encienda y apague el taladro.

⚠️ ADVERTENCIA: Es importante sujetar su trabajo debidamente y sujetar el taladro firmemente para prevenir la pérdida de control (figura 3), lo cual podría causar lesiones corporales. Si tiene preguntas acerca de cómo operar debidamente una herramienta, llame al (55)5326-7100.

TALADRADO EN MADERA

Los orificios en madera pueden hacerse con las mismas brocas de espiral usadas para perforar metal o con brocas de azada. Estas piezas deben estar afiladas y deberían ser frecuentemente extraídas de los orificios durante la perforación para limpiarlas de astillas.

TALADRADO EN METAL

Use un lubricante de corte cuando perfore metales. Las excepciones a esta regla son el hierro fundido y el bronce, los cuales deberían ser perforados en seco. Los lubricantes de corte que funcionan mejor son el aceite sulfurizado de corte o el aceite de manteca de cerdo.

TALADRADO EN MAMPOSTERÍA

Use piezas para mampostería, con puntas de carburo. Refiérase a la sección de Taladrado. Ejerza una fuerza pareja en la pieza pero no tanta como para que resquebraje el frágil material. Un flujo suave y parejo de polvo indica la fuerza debida de taladrado.

MANTENIMIENTO

Para limpiar la herramienta, sólo utilice un paño húmedo y jabón suave. Jamás permita que le entre líquido a la herramienta; nunca sumerja ninguna parte de la herramienta.

IMPORTANTE: Las reparaciones, el mantenimiento y los ajustes del dispositivo (fuera de los mencionados en este documento) deberán ser realizados por centros de servicio autorizados u otras organizaciones de servicio calificadas, utilizando siempre repuestos idénticos, para asegurar la SEGURIDAD y FIABILIDAD de la unidad.

EL SELLO RBRC™

El sello RBRC™ (Rechargeable Battery Recycling Corporation o Corporación de Reciclaje de Baterías Recargables) en la batería (o unidad de alimentación) de níquel- cadmio indica que los costos de reciclaje de la batería (o unidad de alimentación), una vez que llegue al final de su vida útil, ya han sido pagados por Black & Decker. En algunas áreas es ilegal botar baterías de níquel- cadmio gastadas en la basura o corriente de residuos sólidos urbanos, y el programa RBRC ofrece una alternativa ecológica.

RBRC, en colaboración con Black & Decker y otros usuarios de baterías, ha establecido programas en los EE.UU. y Canadá para facilitar la colección de baterías de níquel- cadmio gastadas.

Ayude a proteger nuestro medio ambiente y a conservar los recursos naturales devolviendo la batería de níquel- cadmio gastada a un centro de servicio Black & Decker autorizado o a su distribuidor local para que sea reciclada. También puede contactar a su centro local de reciclaje para mayor información sobre dónde ir a dejar la batería gastada, o llame al 1-800-8-BATTERY.

ACCESORIOS

Los accesorios recomendados para ser utilizados con su herramienta se encuentran disponibles donde su distribuidor o centro de servicio autorizado locales. Si tiene alguna consulta acerca de estos accesorios, por favor llame al 1-800-544-6986. Los siguientes accesorios deberían ser usados sólo en los tamaños especificados a continuación: PIEZAS PARA TALADRADO EN METAL – Hasta 3/8" (9,5 mm.); PIEZAS PARA TALADRADO EN MAMPOSTERÍA – Hasta 3/8" (9,5 mm.); TALADRADO EN MADERA – Hasta 1/2" (12,7 mm.).

⚠️ ADVERTENCIA: El uso de cualquier accesorio que no sea recomendado para ser utilizado con esta herramienta podría ser peligroso.

INFORMACIÓN DE SERVICIO

Todos los Centros de Servicio Black & Decker están dotados de personal capacitado para proporcionar un servicio técnico eficiente y fiable a las máquinas herramientas de nuestros clientes. Contacte al local Black & Decker más cercano para obtener consejos técnicos, reparaciones o repuestos de fábrica originales. Para encontrar el local de servicio más cercano, busque en las páginas amarillas bajo "Herramientas eléctricas", llame al 1-800-544-6986 o visite nuestra página web www.blackanddecker.com

GARANTÍA COMPLETA DE DOS AÑOS PARA USO DOMÉSTICO

Black & Decker (U.S.) Inc. garantiza este producto por dos años contra cualquier defecto en su material o fabricación. Existen dos opciones para reemplazar o reparar el producto defectuoso, sin costo.

La primera, la cual resultará sólo en un cambio, es devolver el producto al vendedor del cual fue comprado (siempre que sea un local participante). Las devoluciones deberán realizarse durante el plazo especificado en la política de devoluciones del vendedor (generalmente entre 30 y 90 días después de la fecha de compra). Puede que sea necesario presentar prueba de compra. Por favor averigüe cuál es la política del vendedor para devoluciones efectuadas más allá del plazo para cambios.

La segunda opción es llevar o enviar el producto (con franqueo pagado) a un centro de servicio autorizado o al Centro de Servicio Black & Decker para su reparación o reemplazo, a decisión nuestra. Puede que sea necesario presentar prueba de compra. Los centros de servicio autorizados y Centros de Servicio Black & Decker se encuentran en las páginas amarillas bajo "Herramientas eléctricas" y en nuestra página web www.blackanddecker.com.

Esta garantía no aplica a los accesorios. Esta garantía le da derechos legales específicos además de los cuales puede tener otros, los cuales varían entre estados. Si tuviese alguna pregunta, contacte al gerente de su Centro de Servicio Black & Decker más cercano. Este producto no es para uso comercial.

PARA REPARACION Y SERVICIO DE SUS HERRAMIENTAS ELECTRICAS FAVOR DE DIRIGIRSE AL CENTRO DE SERVICIO MAS CERCANO

CULIACAN	Av. Nicolas Bravo #1063 Sur	(56 77) 12 42 10
GAUDALAJARA	Av. La Paz #1770	(33 38) 26 69 78
LEON	Polara #32	(47 77) 13 14 56
MEXICO	Sonora #134 Hipodromo Condesa	(55 55) 53 99 79
MERIDA	Calle 63 #459	(99 99) 23 54 90
MONTERREY	Av. Francisco I. Madero Pte. 1820-A	(81 83) 72 11 25
PUEBLA	17 Norte #2057	(22 22) 46 90 20
QUERETARO	Av. Madero 139 Pte.	(44 22) 14 60 60
SAN LOUIS POTOSI	Pedro Moreno #408 Fracc. la Victoria	(44 48) 14 25 67
TORREON	Blvd. Independencia, 96 pte.	(87 17) 16 52 65
VERACRUZ	Prolongación Diaz Miron #4280	(29 99) 21 70 18
VILLAHERMOSA	Zaragoza #105	(99 33) 12 53 17

PARA OTRAS LOCALIDADES LLAME AL: (55) 5326-7100 INFORMACIÓN DE SERVICIO

ESPECIFICACIONES

Cargador:
INPUT: 120 V AC 60 HZ
0.7 AMPS (NOM 0,7 A)
OUTPUT: 0.8 AMPS DC
(NOM 0,8 A)

Para servicio y ventas consulte
"HERRAMIENTAS ELECTRICAS"
en la sección amarilla.



IMPORTADO: BLACK & DECKER S.A. DE C.V.
BOSQUES DE CIDROS ACCESO RADIATAS NO. 42
COL. BOSQUES DE LAS LOMAS.
05120 MÉXICO, D.F.
TEL. 3-26-71-00

