

BLACK+ **DECKER**TM

**INSTRUCTION MANUAL
MODE D'EMPLOI
MANUAL DE INSTRUCCIONES**

**15 INCH (381MM) / 17 INCH (432MM)
PIVOT CONTROL CORDED MOWERS
TONDEUSES AVEC FIL À COMMANDE DE PIVOT 15
POUCES (381 MM) / 17 POUCES (432 MM)
PODADORAS ALÁMBRICAS DE CONTROL
DE PIVOTE DE 15 PULGADAS (381 MM) /
17 PULGADAS (432 MM)**

**BEMW472ES
BEMW482ES**

Please read before returning this product for any reason.

à LIRE avant de retourner ce produit pour quelque raison que ce soit.

LEA EL MANUAL antes de devolver este producto por cualquier motivo.

ENGLISH

English (*original instructions*)

1

Français (*traduction de la notice d'instructions originale*)

12

Español (*traducido de las instrucciones originales*)

25

Thank you for choosing BLACK+DECKER!

If you have a question or experience a problem with your BLACK+DECKER purchase, go to: <http://www.blackanddecker.com/instantanswers>

If you can't find the answer or do not have access to the Internet, call 1-800-544-6986 from 8 a.m. to 5 p.m. EST Mon. - Fri. to speak with an agent. Please have the CATALOG NUMBER available when you call.

To register your new product, visit
www.BlackandDecker.com/NewOwner

Consulter le site Web www.BlackandDecker.com/NewOwner
pour enregistrer votre nouveau produit.

Visite www.BlackandDecker.com/NewOwner para registrar su
nuevo producto.

Definitions: Safety Alert Symbols and Words

This instruction manual uses the following safety alert symbols and words to alert you to hazardous situations and your risk of personal injury or property damage.



DANGER: Indicates an imminently hazardous situation which, if not avoided, **will** result in **death or serious injury**.



WARNING: Indicates a potentially hazardous situation which, if not avoided, **could** result in **death or serious injury**.



CAUTION: Indicates a potentially hazardous situation which, if not avoided, **may** result in **minor or moderate injury**.



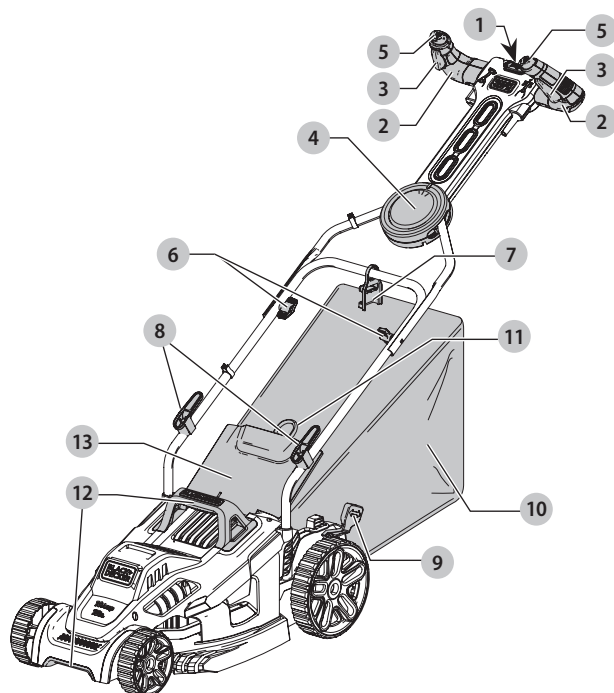
(Used without word) Indicates a safety related message.

NOTICE: Indicates a practice **not related to personal injury** which, if not avoided, **may** result in **property damage**.

KEY INFORMATION YOU SHOULD KNOW:

- Do not operate mower unless handle is locked into position.
- For best cutting results, keep blade sharpened and balanced.
- Inspect and thoroughly clean your mower after each use (a deck with caked grass will degrade performance).
- Make sure mowing area is clear of other persons or pets prior to starting and during operation.

Fig. A



- 1 Safety switch
- 2 Comfort grip handles
- 3 ON/OFF switches
- 4 Pivot Control
- 5 Pivot Control buttons
- 6 Handle knobs
- 7 Cable management system
- 8 Cable holders
- 9 Height adjustment lever
- 10 Grass catcher
- 11 Grass catcher handle
- 12 Carrying handles
- 13 Rear flap



WARNING! Read all safety warnings and all instructions. Failure to follow the warnings and instructions may result in electric shock, fire and/or serious injury.



WARNING: To reduce the risk of injury, read the instruction manual.

ENGLISH

THE FOLLOWING ARE EXPLANATIONS OF IMPORTANT SAFETY HAZARD PICTORIALS ON THE MOWER.



User must read and understand the instruction manual.



To avoid the risk of serious injury do not mow up and down slopes. Always mow across slopes.



To avoid the risk of injury to bystanders keep all persons and pets at a safe distance from the mower while operating.



Rotating blades can cause serious injury. Keep hands and feet clear of mower deck and discharge opening at all times. Always be sure blade has stopped. Wait for the blade to stop rotating (approximately 3 seconds) after releasing ON/OFF switches **3**. Unplug mower before removing or replacing grass catcher, cleaning, servicing, transporting or lifting the mower.



Objects struck by mower blade can cause serious injury. Stay behind the handle when the motor is running. Always ensure persons and pets are clear of the discharge from the mower while operating. Always inspect mowing area before mowing and remove objects that could be thrown by blade. Release ON/OFF switches **3** to turn mower off and wait for the blade to stop rotating (approximately 3 seconds) before crossing walk, roads, patio and gravel drives.



WARNING: Important Safety Warnings and Instructions



WARNING: When using electric lawn mowers, basic safety precautions should always be followed to reduce the risk of fire, electric shock, and personal injury, including the following.

READ ALL INSTRUCTIONS

To reduce risk of injury:

- Before any use, be sure everyone using this tool reads and understands all safety instructions and other information contained in this manual.
- Save these instructions and review frequently prior to use and in instructing others.



DANGER: IMPORTANT SAFE PRACTICES FOR WALK-BEHIND MOWERS

This mower is capable of amputating hands and feet and throwing objects. Failure to observe the following safety instructions could result in serious injury or death.

GENERAL OPERATION

- Read, understand, and follow all instructions on the mower and in the instruction manual before starting.
- Do not put hands or feet near or under the mower. Keep clear of the discharge opening at all times.
- Only allow responsible adults, who are familiar with the instructions, to operate this mower.
- Clear the area where the mower is to be used of objects such as rocks, sticks, wire, toys, etc., which could be thrown by the blade. Objects struck by the blade can cause severe injury to persons. Stay behind the handle when the motor is running.
- Be sure the area surrounding the mower is clear of bystanders before operating. All bystanders and pets should be kept at a safe distance. Stop the mower if anyone enters the area surrounding the mower.
- Do not operate mower barefooted or while wearing sandals. Always wear substantial footwear.
- Do not pull mower backward unless absolutely necessary. Always look down and behind before and while moving backward.
- Never direct discharged material toward anyone. Avoid discharging material against a wall or obstruction. Material may ricochet back toward the operator. Release ON/OFF switches **3** to turn mower off and stop the blade when crossing gravel surfaces.
- Do not operate mower without the entire grass catcher, discharge guard, rear guard, or other safety protective devices in place and working. Periodically check all guards and safety protective devices to ensure they are in good working order and will operate properly and perform their intended function. Replace a damaged latch, guard or other safety device before further use.
- Never leave a running mower unattended.
- Always release the ON/OFF switches **3** to stop the motor and wait until the blade comes to a complete stop and unplug the mower before cleaning the mower, removing the grass catcher, un-clogging the discharge guard, when leaving the mower, or before making any adjustments, repairs or inspections.
- Operate mower only in daylight or good artificial light when objects in the path of the blade are clearly visible from the operating area of the mower.
- Do not operate mower while under the influence of alcohol or drugs, or when you are tired or ill. Always stay alert, watch what you are doing, and use common sense.
- Avoid dangerous environments. Never operate mower in damp or wet grass, never use mower in the rain. Always be sure of your footing; walk; never run.
- Disengage the drive system, if so equipped, before starting the motor.
- If the mower should start to vibrate abnormally, release the ON/OFF switches **3**, wait for the blade to stop and unplug mower, then check for the cause immediately. Vibration is generally a warning of trouble.

- Always wear proper eye and respiratory protection when operating the mower.
- The use of any accessory or attachment not recommended for use with this mower could be hazardous. Only use accessories approved by BLACK+DECKER.
- Never overreach while operating the mower. Always be sure to keep proper footing and balance at all times while operating the mower.

SLOPE OPERATION

Slopes are a major factor related to slip and fall accidents, which can result in severe injury. Operation on all slopes requires extra caution. If you feel uneasy on a slope, do not mow it.


- Mow across the face of slopes; never up and down. Exercise extreme caution when changing direction on slopes.
- Watch for holes, ruts, bumps, rocks, or other hidden objects. Uneven terrain could cause a slip and fall accident. Tall grass can hide obstacles.
- Do not mow on wet grass or excessively steep slopes. Poor footing could cause a slip and fall accident.
- Do not mow near drop-offs, ditches, or embankments. You could lose your footing or balance.

CHILDREN

Tragic accidents can occur if the operator is not alert to the presence of children. Children are often attracted to the mower and the mowing activity. Never assume that children will remain where you last saw them.

- Keep children out of the mowing area and under the watchful care of a responsible adult other than the operator.
- Be alert and turn mower off if a child enters the area.
- Never allow children to operate the mower.
- Use extra care when approaching blind corners, shrubs, trees, or other objects that may block your view of a child.

GENERAL SERVICE

- Never operate mower in a closed area.
- Keep all nuts and bolts tight to be sure the equipment is in safe working condition.
- Never tamper with safety devices. Check their proper operation regularly.
- Keep mower free of grass, leaves, or other debris build-up. Allow mower to cool before storing.
- If you strike a foreign object, release ON/OFF switches  to turn mower off, wait for the blade to stop and unplug mower, then inspect the mower. Repair, any damage, before starting and operating the mower.
- Never make any adjustments or repairs with the motor running or while the mower is plugged in.
- Always unplug mower before adjusting, cleaning, repairing, inspecting, transporting, storing or leaving the mower.

- Check grass catcher components and the discharge guard frequently and when necessary replace with BLACK+DECKER recommended parts only.
- Mower blades are sharp. Wrap the blade or wear gloves, and use extra caution when servicing them.
- Maintain or replace safety and instruction labels, as necessary.

FOR ALL DOUBLE-INSULATED LAWN MOWERS

- Replacement Parts. When servicing use only identical replacement parts.
- Polarized Appliance Connections

To reduce the risk of electric shock, this appliance has a polarized plug (one blade is wider than the other) and will require the use of a polarized extension cord. The appliance plug will fit into a polarized extension cord only one way. If the plug does not fit fully into the extension cord, reverse the plug. If the plug still does not fit, obtain a correct polarized extension cord. A polarized extension cord will require the use of a polarized wall outlet. This plug will fit into the polarized wall outlet only one way. If the plug does not fit fully into the wall outlet, reverse the plug. If the plug still does not fit, contact a qualified electrician to install the proper wall outlet. Do not change the equipment plug, extension cord receptacle, or extension cord plug in any way.



WARNING: GENERAL SAFETY WARNINGS AND INSTRUCTIONS FOR ALL MOWERS

- THIS TOOL CAN BE DANGEROUS. Follow all warnings and Safety Instructions in this manual. The operator is responsible for following warnings and instructions in this manual and on unit. Restrict use of this mower to persons who read, understand and follow warnings and instructions in this manual and on unit.
- Avoid Dangerous Environment – Don't use lawn mowers in damp or wet locations.
- Don't Use In Rain.
- Keep Children Away – All visitors should be kept a safe distance from work area.
- Dress Properly – Do not wear loose clothing or jewelry. They can be caught in moving parts. Use of rubber gloves and footwear is recommended when working outdoors.
- Use Safety Glasses – Always use face or dust mask if operation is dusty.
- Use Right Appliance – Do not use lawn mower for any job except that for which it is intended.
- Ground Fault Circuit Interrupter (GFCI) protection should be provided on the circuit(s) or outlet(s) to be used for the lawn mower. Receptacles are available having built-in GFCI protection and may be used for this measure of safety.



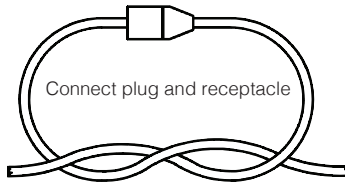
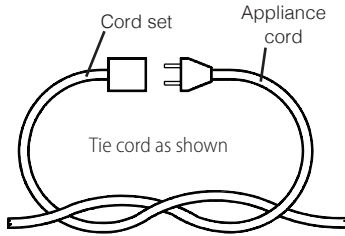
WARNING: To prevent electric shock use only with an extension cord suitable for outdoor use, such as SW, SOW, STW, STOW, SJW, SJOW, SJTW, or SJTOW.

ENGLISH

- Use of Extension Cords

Make sure the extension cord is in good condition before using. Always use the proper size extension cords with the tool – that is, proper wire size for various lengths of cord and heavy enough to carry the current the tool will draw. Use of an undersized cord will cause a drop in line voltage resulting in loss of power and overheating. For proper size cords see chart below. To reduce the likelihood of disconnection of lawn mower cord from the cord set during operating:

- i) Make a knot as shown, or



- ii) Use one of the plug-receptacle retaining straps or connectors described in this manual.

- Don't Abuse Cord – Never pull lawn mower by cord or yank it to disconnect from receptacle. Keep cord from heat, oil, and sharp edges.
- Don't Force Lawn Mower – It will do the job better and safer at the rate for which it was designed.
- Don't Overreach – Keep proper footing and balance at all times.
- Stay Alert – Watch what you are doing. Use common sense. Do not operate lawn mower when you are tired.
- Disconnect Lawn Mower – Disconnect the lawn mower from the power supply when not in use, before servicing, when changing accessories such as blades, and the like.
- Store Idle Lawn Mower Indoors – When not in use, lawn mower should be stored in an indoor dry and locked-up place – out of reach of children.
- Maintain Lawn Mower With Care – Keep cutting edges sharp and clean for best and safest performance.
- Follow instructions for lubricating and changing accessories.
- Inspect lawn mower cord periodically and if damaged, have it repaired by an authorized service facility. Inspect extension cords periodically and replace if damaged. Keep handles dry, clean, and free from oil and grease.
- Keep guards in place and in working order.

- Keep blades sharp.
- Keep hands and feet away from cutting area.
- Objects struck by the lawn mower blade can cause severe injuries to persons. The lawn should always be carefully examined and cleared of all objects prior to each mowing.
- If lawn mower strikes a foreign object, follow these steps:
 - Stop lawn mower. Release the switch
 - Unplug power cord.
 - Inspect for damage.
 - Repair any damage before restarting and operating the lawn mower.
 - Use identical replacement blades only.

SAVE THESE INSTRUCTIONS

DANGER: ADDITIONAL WARNINGS FOR MOWERS


- CHECK FOR DAMAGED PARTS. Before further use of the mower, a guard or other part that is damaged should be carefully checked to determine that it will operate properly and perform its intended function. Check for alignment of moving parts, binding of moving parts, breakage of parts, mounting, and any other conditions that may affect their operation. A guard or other part that is damaged should be properly repaired or replaced by an authorized service center unless otherwise indicated elsewhere in this manual.

REPAIRS AND SERVICE. Repairs, maintenance and any adjustments not specified in this manual should be performed by Black+Decker authorized service centers or other qualified service organizations, always using identical replacement parts

Additional Safety Information

 **WARNING: ALWAYS** use safety glasses. Everyday eyeglasses are NOT safety glasses. Also use face or dust mask if cutting operation is dusty. ALWAYS WEAR CERTIFIED SAFETY EQUIPMENT:

- ANSI Z87.1 eye protection (CAN/CSA Z94.3),
- ANSI S12.6 (S3.19) hearing protection,
- NIOSH/OSHA/MSHA respiratory protection.

 **WARNING:** Some dust created by this product contains chemicals known to the State of California to cause cancer, birth defects or other reproductive harm. Some examples of these chemicals are:

- compounds in fertilizers
- compounds in insecticides, herbicides and pesticides
- arsenic and chromium from chemically treated lumber

To reduce your exposure to these chemicals, wear approved safety equipment such as dust masks that are specially designed to filter out microscopic particles.

- **An extension cord must have adequate wire size (AWG or American Wire Gauge) for safety.** The smaller the gauge number of the wire, the greater the capacity of the cable, that is, 16 gauge has more capacity than 18 gauge. An undersized cord will cause a drop in line voltage resulting in loss of power and overheating. When using more than one extension to make up the total length, be sure each individual extension contains at least the minimum wire size. The following table shows the correct size to use depending on cord length and nameplate ampere rating. If in doubt, use the next heavier gauge. The lower the gauge number, the heavier the cord.

Volts		Total Length of Cord in Feet (meters)			
		25 (7.6)	50 (15.2)	100 (30.5)	150 (45.7)
120 V		25 (7.6)	50 (15.2)	100 (30.5)	150 (45.7)
240 V		50 (15.2)	100 (30.5)	200 (61.0)	300 (91.4)
Ampere Rating More Than	Not More Than	American Wire Gauge			
		0	6	10	12
0	6	18	16	16	14
6	10	18	16	14	12
10	12	16	16	14	12
12	16	14	12	Not Recommended	

The label on your tool may include the following symbols. The symbols and their definitions are as follows:

- | | |
|--|--|
| V.....volts | ⎓ or AC/DC...alternating or direct current |
| Hz.....hertz | Ⓜ.....Class II Construction (double insulated) |
| min.....minutes | n ₀no load speed |
| — — — or DC.....direct current | n.....rated speed |
| Ⓛ.....Class I Construction (grounded) | ⊕.....earthing terminal |
| .../min.....per minute | ⚠.....safety alert symbol |
| BPM.....beats per minute | ⚠.....visible radiation |
| IPM.....impacts per minute | ☉.....wear respiratory protection |
| RPM.....revolutions per minute | ☉.....wear eye protection |
| sfp/minute.....surface feet per minute | ☉.....wear hearing protection |
| SPM.....strokes per minute | 📖.....read all documentation |
| A.....amperes | |
| W.....watts | |
| ⎓ or AC.....alternating current | |

SAVE THESE INSTRUCTIONS FOR FUTURE USE

COMPONENTS (FIG. A)

WARNING: Never modify the power tool or any part of it. Damage or personal injury could result.

Refer to Figure A at the beginning of this manual for a complete list of components.

Intended Use

This mower is designed for residential lawn mowing applications.

DO NOT use under wet conditions or in presence of flammable liquids or gases.

DO NOT let children come into contact with the tool. Supervision is required when inexperienced operators use this tool.

ASSEMBLY AND ADJUSTMENTS

WARNING: To reduce the risk of serious personal injury, turn unit off and disconnect it from power source before making any adjustments or removing/installing attachments or accessories. An accidental start-up can cause injury.

See Fig. A to familiarize yourself with the location of various controls and adjustments. Save this manual for future reference.

WARNING: Before assembly, make sure the ON/OFF switches are released.

Assembling the grass catcher (Fig. B, B1, B2, B3)

WARNING: Under normal usage, the collection bag assembly is subject to deterioration and wear and should, therefore, be frequently checked for replacement. Any replacement assembly should be checked for compliance with BLACK+DECKER recommendations.

1. Before starting to assemble the grass bag to the frame, check that the grass bag and frame are similar to Fig. B.
2. Slide the grass bag to the frame as shown in Fig. B1.
3. Assemble the top clips to the frame as shown in Fig. B2, then assemble the two side clips and the bottom clip last.
4. Completely assembled grass catcher is shown in Fig. B3.

Fig. B

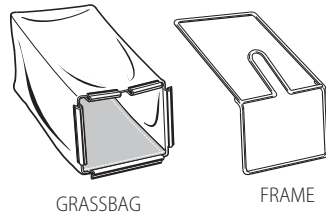
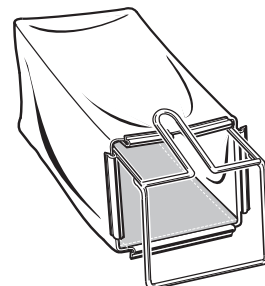


Fig. B1



ENGLISH

Fig. B2

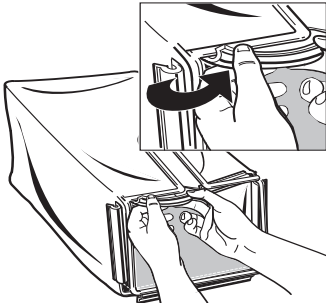
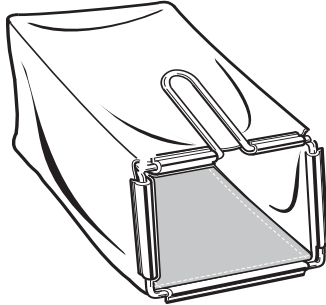


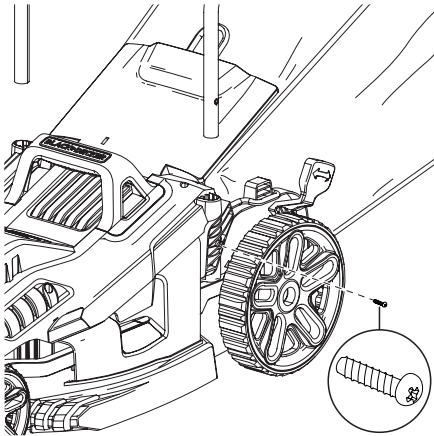
Fig. B3



Fitting the lower handle (Fig. C)

1. Insert the ends of the lower handle into the corresponding holes in the mower.
2. Press the handle down as far as it will go.
3. Secure the handle using the screws.

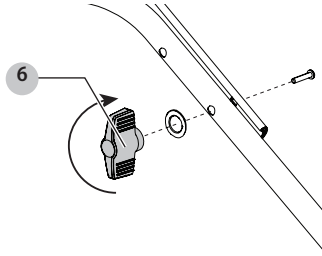
Fig. C



Assembling the upper handle (Fig. D)

Fit the upper handle part to the lower handle using the handle knobs **6**, washers and screws as shown.

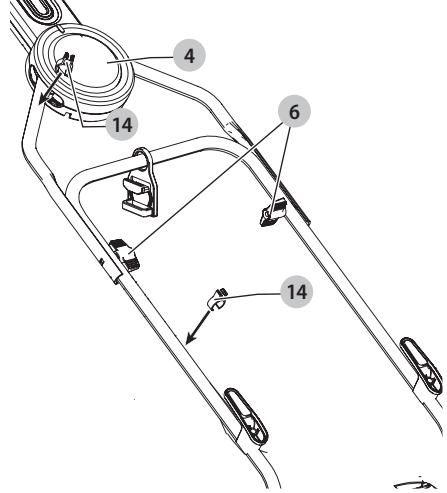
Fig. D



Securing the motor cable (Fig. E)

1. The motor cable has to be fixed using the cable restraint.
2. Snap a restraint clip **14** around the cable and lower handle about 6 inches (152.4mm) below the handle knob **6**.
3. Snap a second restraint clip **14** around the cable and upper handle about 6 inches (152.4mm) below the pivot control **4**.

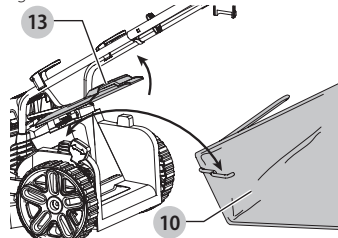
Fig. E



Fitting the grass catcher (Fig. F)

1. Lift the rear flap **13** and place the grass catcher **10** over the lugs.

Fig. F



OPERATION

- ⚠ WARNING:** To reduce the risk of serious personal injury, turn unit off and disconnect it from power source before making any adjustments or removing/installing attachments or accessories. An accidental start-up can cause injury.

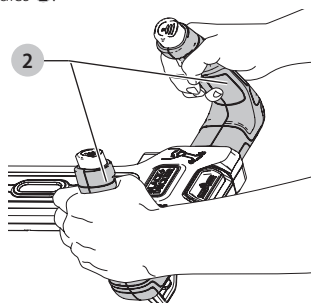
Proper Hand Position (Fig. G)

- ⚠ WARNING:** To reduce the risk of serious personal injury, ALWAYS use proper hand position as shown.

- ⚠ WARNING:** To reduce the risk of serious personal injury, ALWAYS hold securely in anticipation of a sudden reaction.

Proper hand position requires two hands on the comfort grip handles **2**.

Fig. G



READ THIS INSTRUCTION MANUAL AND SAFETY RULES BEFORE OPERATING YOUR MOWER.

See Fig. A to familiarize yourself with the location of various controls and adjustments. Save this manual for future reference.

- ⚠ WARNING:** ROTATING BLADES CAN CAUSE SERIOUS INJURY. TO PREVENT SERIOUS INJURY, UNPLUG MOWER WHEN UNATTENDED, CLEANING, SERVICING, TRANSPORTING, LIFTING, OR STORING MOWER.

- ⚠ WARNING:** Sharp moving blade. Do not operate the mower if the rear door is not closed under spring tension as serious injury could result. Take your mower to the nearest service center for repair.

- ⚠ WARNING:** Sharp moving blade. Never operate the mower unless the hanger hooks on the grass catcher are seated properly on the mower and the rear discharge door rests firmly against the top of the grass catcher as serious injury could result.

- ⚠ WARNING:** Do not operate mower without grass catcher **10** attached.

- ⚠ WARNING:** Let the appliance work at its own pace. Do not overload.

Adjusting the height of cut (Fig. H)

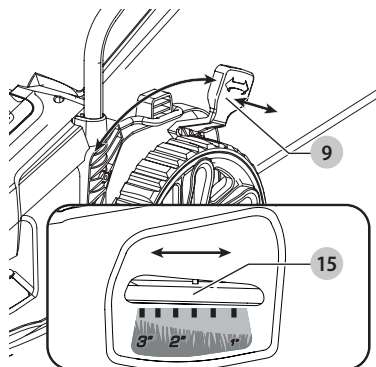
The height of cut is adjusted by the central height adjust mechanism, there are 6 positions to choose from.

To set the height of cut

1. Pull the height adjustment lever **9** away from the body of the unit.
2. Move the lever towards the rear of the appliance to lower the height of cut.
3. Move the lever towards the front of the appliance to raise the height of cut.
4. Push the height adjustment lever into one of the 6 height locations.

NOTE: The height of cut can be viewed on the height of cut gauge **15** on the side of the unit.

Fig. H



Switching on and off (Fig. I)

- ⚠ DANGER:** SHARP MOVING BLADE. NEVER ATTEMPT TO OVERRIDE THE OPERATION OF THE SWITCH AS SERIOUS INJURY COULD RESULT.

Switching on

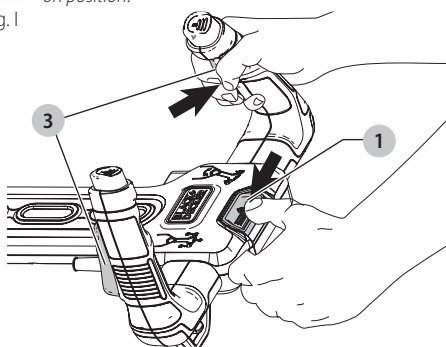
1. Push in and hold the safety switch **1**.
NOTE: You can not pull both ON/OFF switches when the safety switch is being held
2. Pull the left or right ON/OFF switch **3** towards the handle and hold it in.
3. Release the safety switch **1**.
4. The mower will run with either ON/OFF switch **3** actuated.

Switching off

1. Release the both ON/OFF switches **3**.

- ⚠ WARNING:** Never attempt to lock a switch in the on position.

Fig. I



Mowing (Fig. J, K)

NOTE: ALWAYS INSPECT AREA WHERE MOWER IS TO BE USED AND REMOVE ALL STONES, STICKS, WIRE, AND OTHER DEBRIS WHICH MIGHT BE THROWN BY THE ROTATING BLADE.

We recommend to use your mower as outlined in this section in order to achieve optimum results and to reduce the risk of cutting the main cable.

1. Loop the extension cord through the cable management system **7** as shown (Fig. J). Ensure you leave approximately 3 feet (100 cm) of cord between the safety switch **1** and the cable management system.
2. Ensure that the cable management system can slide freely from one side to the other.
3. Place the bulk of the extension cord on the lawn, close to the starting point (position 1 in Fig. K).
4. Switch the mower on as described above.
5. Proceed as shown in Fig. K.
6. Move from position 1 to position 2.
7. Turn right, stepping over the extension cord and proceed towards position 3. The cable management system will slide from one side to the other, ensuring the extension cord is kept away from the cutting blade.
8. Turn left, stepping over the extension cord and move towards position 4. The extension cord will slide from one side of the handle to the other, ensuring the extension cord is kept away from the cutting blade.
9. Repeat the above procedure as required.

WARNING: Do not work towards the cable as shown in Fig. K.

Fig. J

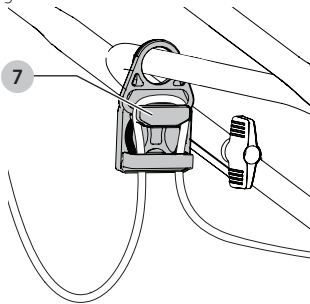
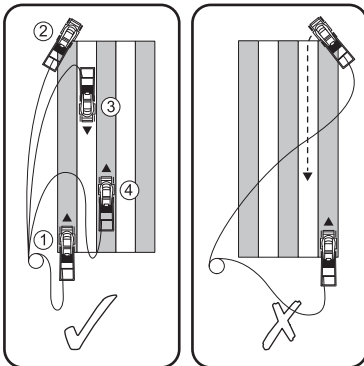


Fig. K



Pivot Control (Fig. L)

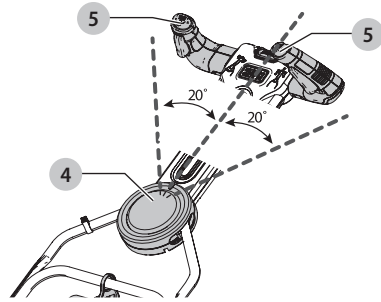
This mower is equipped with Pivot Control. This function allows for close quarters maneuverability and turning.

1. To activate the pivoting action of Pivot Control **4**, press one of the Pivot Control button **5** and move the comfort grip handles **2** left or right 20 degrees.
2. The handles will automatically lock in normal operating position when the handles are positioned at zero degrees.



CAUTION: Ensure the Pivot Control handle is locked in place before using the mower.

Fig. L



Emptying the grass catcher

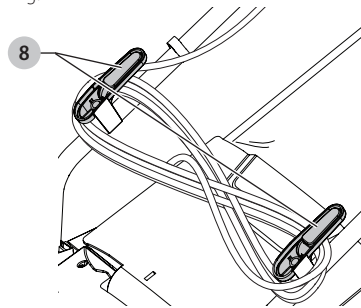
1. Release the ON/OFF switches **3** and unplug the mower.
2. Remove the grass catcher **10**.
3. Empty the contents.

Cable storage (Fig. N)

The cable holders **8** provide a safe and convenient way to store the extension cord when not in use.

1. Wrap the extension cord around the cable holders in a Figure eight pattern.

Fig. N



Carrying the mower (Fig. A)



WARNING: Rotating blade can cause serious injury. Release both ON/OFF switches **3** to turn mower off and unplug mower before lifting, transporting, or storing the mower. Store in a dry place.

- The mower can be carried using the convenient carry handles **12**.

Removing Blade (Fig. O, P)

! WARNING: Ensure the blade has completely stopped and disconnect the mower from the power source.

! WARNING: Only use the specified replacement blade: BEMW472ES and BEMW482ES release ON/OFF switches **3** to turn mower off, WAIT FOR THE BLADE TO STOP, AND UNPLUG MOWER.

! CAUTION: Whenever the blade is being removed, installed or sharpened, wear gloves and proper eye protection. Be careful of sharp edges on blade.

1. Cut a piece of 2x4 wood **17** [about 1 foot long (305 mm)] to keep blade from turning while removing flange nut.
2. Turn the appliance onto its side.

NOTE: Wear gloves and proper eye protection. Be careful of sharp edges of blade.
3. Position piece of wood **17** to keep blade from turning as shown in Fig. O.
4. Use a 9/16 inch wrench **18** to loosen and remove the blade bolt **19** by turning counterclockwise.
5. Pull off blade **20**, blade insulator **21**, as shown in Fig. P. Examine all pieces for damage and replace if necessary.

Fig. O

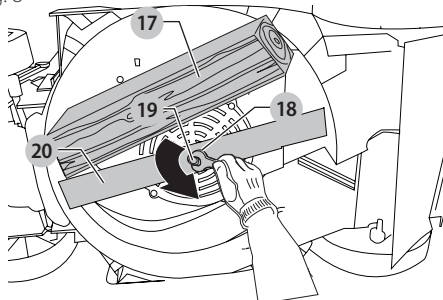
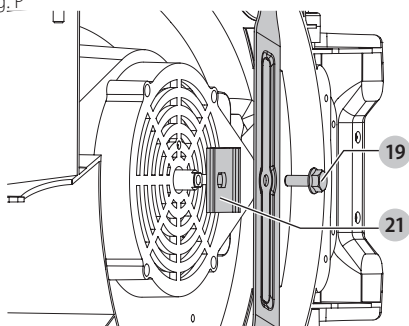


Fig. P

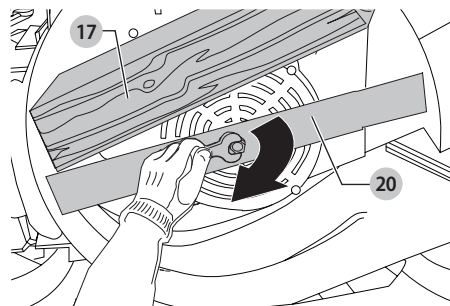


Installing Blade (Fig. P, Q)

1. Place blade insulator **21** with the raised sides toward the blade onto the bolt shaft, making sure it aligns with the double D shape on the bolt shaft.
2. Place the blade in between the raised sides of the insulator **21**, making sure that the lettering on the blade is away from the insulator.
3. Screw the blade bolt into the bolt shaft and tighten the blade bolt as firmly as possible by hand.

4. Position piece of wood **17** to keep blade from turning as shown in Fig. O.
5. Use a 9/16 inch wrench to securely tighten the blade bolt by turning the wrench clockwise.

Fig. Q



Blade Sharpening

KEEP BLADE SHARP FOR BEST MOWER PERFORMANCE. A DULL BLADE DOES NOT CUT GRASS CLEANLY OR MULCH PROPERLY.

USE PROPER EYE PROTECTION WHILE REMOVING, SHARPENING, AND INSTALLING BLADE. ENSURE THAT THE MOWER IS UNPLUGGED.

Sharpening the blade twice during a mowing season is usually sufficient under normal circumstances. Sand causes the blade to dull quickly. If your lawn has sandy soil, more frequent sharpening may be required.

REPLACE BENT OR DAMAGED BLADE IMMEDIATELY.

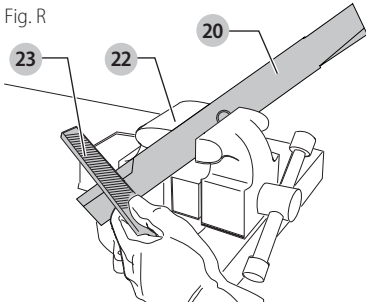
When sharpening the blade:

1. Make sure blade remains balanced.
2. Sharpen blade at the original cutting angle.
3. Sharpen cutting edges on both ends of blade, removing equal amounts of material from both ends.

To sharpen blade in a vise (Fig. R):

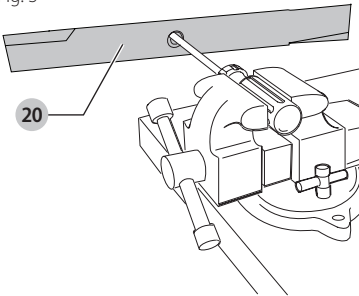
1. Be sure the comfort grip handles **2** is released, the blade has stopped and the mower is unplugged.
2. Remove blade from mower. See instructions for removing and installing blade.
3. Secure blade **20** in a vise **22**.
4. Wear proper eye protection and gloves and be careful not to cut yourself.
5. Carefully file the cutting edges of the blade with a fine tooth file **23** or sharpening stone, maintaining the original cutting edge.
6. Check balance of blade. See instructions for **blade balancing**.
7. Replace blade on mower and tighten securely.

ENGLISH



Blade Balancing (Fig. S)

1. Check balance of blade **20** by placing center hole in blade over a nail or round shank screwdriver, clamped horizontally in a vise.
 2. If either end of the blade rotates downward, file that end. Blade is properly balanced when neither end drops.
- Fig. S



MAINTENANCE

WARNING: To reduce the risk of serious personal injury, turn unit off and disconnect it from power source before making any adjustments or removing/installing attachments or accessories. An accidental start-up can cause injury.

Cleaning

WARNING: Blow dirt and dust out of all air vents with clean, dry air at least once a week. To minimize the risk of eye injury, always wear ANSI Z87.1 approved eye protection when performing this.

WARNING: Never use solvents or other harsh chemicals for cleaning the non-metallic parts of the tool. These chemicals may weaken the plastic materials used in these parts. Use a cloth dampened only with water and mild soap. Never let any liquid get inside the tool; never immerse any part of the tool into a liquid.

Preventing Corrosion (Fig. A)

Fertilizers and other garden chemicals contain agents which greatly accelerate the corrosion of metals. If you mow in areas where fertilizers or chemicals have been used, the mower should be cleaned immediately afterward as follows:

1. To turn mower off, release ON/OFF switch lever **3** and unplug mower.

2. Wipe all exposed parts with a damp cloth.

CAUTION: DO NOT POUR OR SPRAY WATER ON THE MOWER IN AN ATTEMPT TO CLEAN IT. Do not store the tool on or adjacent to fertilizers or chemicals. Such storage can cause rapid corrosion.

Storage Position

For more compact storing the mower can be stored in an upright position, with the handle folded over. Loosen the two handle knobs **6** and lower the upper handle section. Be careful not to pinch power cord. Tighten the two lower knobs.

CAUTION: Pinch point. To avoid being pinched, keep fingers away from area between handles when lowering.

Hints for optimum use

- If the grass is longer than approximately 4 inches (10 cm), make two cuts to obtain a better finish. First mow at maximum height of cut, then use a low or medium height of cut.
- In order to achieve optimum results, only mow dry grass.

Mower Overloaded

To prevent damage due to overload conditions, do not try to cut too much grass at one time. Slow down your cutting pace, or raise the cut height.

MEETS CPSC SAFETY REQUIREMENTS

BLACK+DECKER Mowers conform to the safety standards of the American National Standards Institute, and the U.S. Consumer Product Safety Commission. The Blade turns when the motor is running.

ACCESSORIES

Recommended accessories for use with your tool are available from your local dealer or authorized service center. If you need assistance regarding accessories, please call: 1-800-544-6986.

WARNING: The use of any accessory not recommended for use with this tool could be hazardous.

SERVICE INFORMATION

All BLACK+DECKER Service Centers are staffed with trained personnel to provide customers with efficient and reliable power tool service. Whether you need technical advice, repair, or genuine factory replacement parts, contact the BLACK+DECKER location nearest you. To find your local service location, call: 1-800-544-6986 or visit www.blackanddecker.com

TWO-YEAR LIMITED WARRANTY

Black & Decker (U.S.) Inc. warrants this product to be free from defects in material or workmanship for a period of two (2) years following the date of purchase, provided that the product is used in a home environment. This limited warranty does not cover failures due to abuse, accidental

damage or when repairs have been made or attempted by anyone other than BLACK+DECKER and its Authorized Service Centers. A defective product meeting the warranty conditions set forth herein will be replaced or repaired at no charge in either of two ways:

The first, which will result in exchanges only, is to return the product to the retailer from whom it was purchased (provided that the store is a participating retailer). Returns should be made within the time period of the retailer's policy for exchanges. Proof of purchase may be required. Please check with the retailer for its specific return policy regarding time limits for returns or exchanges.

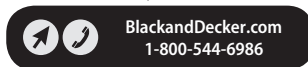
The second option is to take or send the product (prepaid) to a BLACK+DECKER owned or authorized Service Center for repair or replacement at BLACK+DECKER's option. Proof of purchase may be required. BLACK+DECKER owned and authorized service centers are listed online at www.blackanddecker.com. This warranty does not apply to accessories. This warranty gives you specific legal rights and you may have other rights which vary from state to state or province to province. Should you have any questions, contact the manager of your nearest BLACK+DECKER Service Center. This product is not intended for commercial use, and accordingly, such commercial

use of this product will void this warranty. All other guarantees, express or implied, are hereby disclaimed.

LATIN AMERICA: This warranty does not apply to products sold in Latin America. For products sold in Latin America, check country specific warranty information contained in the packaging, call the local company or see the website for warranty information.

FREE WARNING LABEL REPLACEMENT: If your warning labels become illegible or are missing, call 1-800-544-6986 for a free replacement..

Imported by Black & Decker (U.S.) Inc.,
701 E. Joppa Rd.
Towson, MD 21286



Troubleshooting Guide

BE SURE TO FOLLOW SAFETY RULES AND INSTRUCTIONS

For assistance with your product, visit our website at www.blackanddecker.com for a list of service centers, or call the BLACK+DECKER Customer Care Center at 1-800-544-6986.

PROBLEM	POSSIBLE CAUSE	POSSIBLE SOLUTION
<ul style="list-style-type: none"> Mower will not start. 	<ul style="list-style-type: none"> Cord is not plugged in. Circuit fuse is blown. Circuit breaker is tripped. Cord or switch is damaged. Grass too long. Thermal cut out activated. 	<ul style="list-style-type: none"> Plug mower into a working outlet. Replace circuit fuse. (If the product repeatedly causes the circuit fuse to blow, discontinue use immediately and have it serviced by an authorized BLACK+DECKER service center. Reset circuit breaker. (If the product repeatedly causes the circuit breaker trip, discontinue use immediately and have it serviced by an authorized BLACK+DECKER service center. Have cord or switch replaced at an authorized BLACK+DECKER service center. Increase the height of cut and move mower to shorter grass to start. Allow motor to cool and increase height of cut.
<ul style="list-style-type: none"> Mower functions intermittently. 	<ul style="list-style-type: none"> Thermal cut out activated. 	<ul style="list-style-type: none"> Allow motor to cool and increase height of cut.
<ul style="list-style-type: none"> Mower leaves ragged finish or motor labors. 	<ul style="list-style-type: none"> Height of cut too low. Cutting blade is dull. Underside of mower is clogged. Blade is installed upside-down. 	<ul style="list-style-type: none"> Increase height of cut. Replace or sharpen the blade. Unplug mower. Check underneath the mower and clear out debris as necessary. (Always wear heavy duty gloves) Install blade correctly.

Définitions : symboles et termes d'alarmes sécurité

Ces guides d'utilisation utilisent les symboles et termes d'alarmes sécurité suivants pour vous prévenir de situations dangereuses et de risques de dommages corporels ou matériels.



DANGER : indique une situation dangereuse imminente qui, si elle n'est pas évitée, **entraînera la mort ou des blessures graves**.



AVERTISSEMENT : indique une situation potentiellement dangereuse qui, si elle n'est pas évitée, **pourrait entraîner la mort ou des blessures graves**.



ATTENTION : indique une situation potentiellement dangereuse qui, si elle n'est pas évitée, **pourrait entraîner des blessures légères ou modérées**.



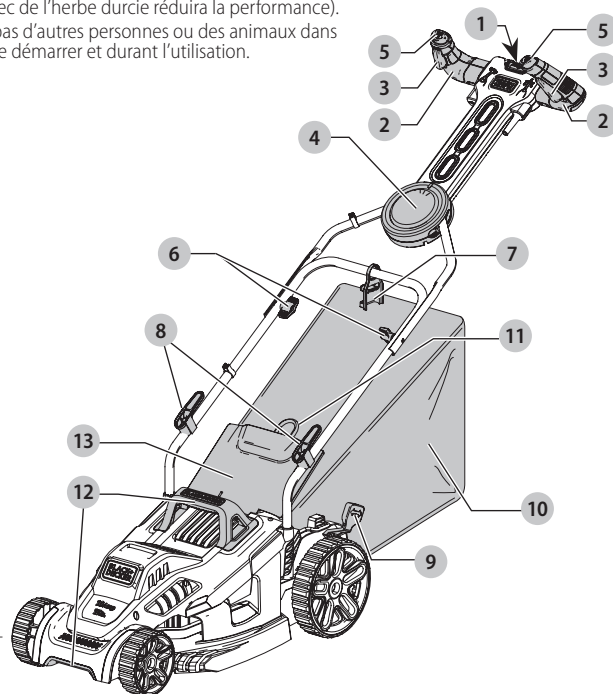
(Si utilisé sans aucun terme) Indique un message propre à la sécurité.

AVIS : indique une pratique ne posant **aucun risque de dommages corporels** mais qui par contre, si rien n'est fait pour l'éviter, **pourrait poser des risques de dommages matériels**.

INFORMATION CLÉ QUE VOUS DEVRIEZ SAVOIR :

- Ne pas utiliser la tondeuse tant que la poignée est verrouillée en place.
- Pour de meilleurs résultats de coupe, gardez la lame aiguisée et équilibrée.
- Inspectez et nettoyez la tondeuse en profondeur après chaque utilisation (un châssis avec de l'herbe durcie réduira la performance).
- Assurez-vous qu'il n'y a pas d'autres personnes ou des animaux dans la zone de tonte avant de démarrer et durant l'utilisation.

Fig. A



- 1 Interrupteur de sécurité
- 2 Poignées confortables
- 3 Boutons MARCHE/ARRÊT
- 4 Commande de pivot
- 5 Boutons de commande du pivot
- 6 Boutons de poignée
- 7 Système de gestion du fil
- 8 Supports du fil
- 9 Levier de réglage de la hauteur
- 10 Bac de ramassage
- 11 Poignée du bac de ramassage
- 12 Poignées de transport
- 13 Volet arrière



AVERTISSEMENT! lire tous les avertissements de sécurité et toutes les directives. Le non-respect des avertissements et des directives pourrait se solder par un choc électrique, un incendie et/ou une blessure grave.



AVERTISSEMENT : afin de réduire le risque de blessures, lire le mode d'emploi de l'outil.

LES ÉLÉMENTS SUIVANTS SONT DES EXPLICATIONS DES SYMBOLES DE DANGER ET SÉCURITÉ IMPORTANTS SUR LA TONDEUSE.



L'utilisateur doit lire et comprendre le manuel d'instructions.



Afin d'éviter le risque de blessure grave, ne pas tondre les pentes vers le haut et vers le bas. Tondez toujours en travers des pentes.



Afin d'éviter le risque de blesser les passants, gardez toutes les personnes et tous les animaux à une distance sécuritaire de la tondeuse durant l'utilisation.



Les lames en rotation peuvent causer de graves blessures. Gardez les mains et les pieds loin du châssis de la tondeuse et de l'ouverture d'éjection en tout temps.

Assurez-vous toujours que la lame est arrêtée. Attendez que la lame cesse de tourner (environ 3 secondes) après avoir relâché les boutons Marche/Arrêt ③. Débranchez la tondeuse avant de retirer ou de remplacer le bac de ramassage, de nettoyer, d'entretenir, de transporter ou de lever la tondeuse.



Les objets frappés par la lame de la tondeuse peuvent causer une blessure grave. Restez derrière la poignée lorsque le moteur fonctionne. Assurez-vous toujours que les personnes et les animaux sont

éloignés de l'éjection provenant de la tondeuse durant l'utilisation. Inspectez toujours la zone de tonte avant de tondre et retirez les objets qui pourraient être projetés par la lame. Relâchez les boutons Marche/Arrêt ③ pour éteindre la tondeuse et attendez que la lame cesse de tourner (environ 3 secondes) avant de traverser le trottoir, les routes, le patio et les entrées en gravier.



AVERTISSEMENT : avertissements de sécurité importants et instructions



AVERTISSEMENT : lors de l'utilisation de tondeuses à gazon électriques, les mesures de précaution de base devraient toujours être prises pour réduire le risque d'incendie, de choc électrique et de blessures, incluant ce qui suit :

LIRE TOUTES LES CONSIGNES

Afin de réduire le risque de blessure :

- Avant toute utilisation, assurez-vous que toutes les personnes qui utiliseront cet outil lisent et comprennent toutes les consignes de sécurité et les autres renseignements compris dans le présent manuel.

- Conservez ces instructions et passez-les en revue fréquemment avant l'utilisation et la formation d'autres personnes.



DANGER : PRATIQUES DE SÉCURITÉ IMPORTANTES POUR LES TONDEUSES POUSSÉES

Cette tondeuse peut amputer les mains et les pieds et projeter des objets. Ne pas respecter les instructions de sécurité suivantes pourrait entraîner une blessure grave ou la mort.

FONCTIONNEMENT GÉNÉRAL

- Lisez, comprenez et suivez toutes les instructions sur la tondeuse et dans le manuel d'instructions avant le commencer.
- Ne pas mettre les mains ou les pieds près de ou sous la tondeuse. Tenez-vous éloigné de l'ouverture d'éjection en tout temps.
- Autorisez seulement des adultes responsables, qui connaissent bien les instructions, à utiliser cette tondeuse.
- Libérez la zone où la tondeuse est utilisée de tout objet comme des roches, des bâtons, un fil, des jouets, etc., qui pourrait être projeté par la lame. Les objets frappés par la lame peuvent causer une blessure grave à des personnes. Restez derrière la poignée lorsque le moteur fonctionne.
- Assurez-vous que des passants ne sont pas dans la zone entourant la tondeuse. Tous les passants et les animaux doivent être tenus à une distance sécuritaire. Arrêtez la tondeuse si quelqu'un entre dans la zone entourant la tondeuse.
- Ne pas utiliser la tondeuse pieds nus ou si vous portez des sandales. Portez toujours des chaussures solides.
- Ne pas tirer la tondeuse vers l'arrière à moins que ce ne soit absolument nécessaire. Regardez toujours vers le bas et derrière avant de vous déplacer vers l'arrière.
- Ne jamais diriger la matière rejetée vers quiconque. Évitez de rejeter la matière contre un mur ou une obstruction. La matière peut ricocher vers l'utilisateur. Relâchez les boutons MARCHE/ARRÊT ③ pour éteindre la tondeuse et arrêter la lame lorsque vous croisez des surfaces en gravier.
- Ne pas utiliser la tondeuse sans le sac à herbe entier, le protecteur d'éjection, le protecteur arrière ou d'autres dispositifs de protection en place et qui fonctionnent. Vérifiez régulièrement tous les protecteurs et les dispositifs de protection de sécurité afin d'assurer qu'ils sont en bon état de marche, qu'ils fonctionneront correctement et qu'ils effectueront leur fonction prévue. Remplacez un verrou, un protecteur ou autre dispositif de sécurité endommagé avant toute utilisation ultérieure.
- Ne jamais laisser la tondeuse en marche sans supervision.

FRANÇAIS

- Relâchez les boutons MARCHE/ARRÊT **3** pour arrêter le moteur et attendez jusqu'à ce que la lame s'arrête complètement et débranchez la tondeuse avant de la nettoyer, retirer le bac de ramassage, désobstruer le protecteur d'éjection, lorsque vous laissez la tondeuse ou avant d'effectuer tout ajustement, toute réparation ou toute inspection.
- Utilisez la tondeuse seulement à la lumière du jour ou une bonne lumière artificielle lorsque les objets dans le trajet de la lame sont clairement visibles de la zone d'utilisation de la tondeuse.
- Ne pas utiliser la tondeuse sous l'influence de l'alcool ou de drogues, ou lorsque vous êtes fatigué ou malade. Demeurez toujours vigilant, regardez ce que vous faites et faites preuve de bon sens.
- Évitez les environnements dangereux. Ne jamais utiliser la tondeuse dans du gazon humide ou mouillé, ne jamais utiliser la tondeuse sous la pluie. Assurez-vous toujours que vos pieds sont bien d'aplomb; marchez; ne jamais courir.
- Débrayez la système d'entraînement, si la tondeuse en est munie, avant de démarrer le moteur.
- Si la tondeuse devait démarrer en vibrant anormalement, relâchez les boutons MARCHE/ARRÊT **3**, attendez que la lame s'arrête et débranchez la tondeuse, puis vérifiez immédiatement la cause. La vibration est généralement un avertissement de problème.
- Portez toujours une protection respiratoire et oculaire appropriée lorsque vous utilisez la tondeuse.
- L'utilisation de tout accessoire ou toute pièce non recommandé(e) pour l'utilisation avec cette tondeuse pourrait être dangereuse. Utilisez seulement des accessoires approuvés par BLACK+DECKER.
- Ne jamais vous étirer lorsque vous utilisez la tondeuse. Maintenez vos pieds bien d'aplomb sur le sol et un bon équilibre en tout temps lorsque vous utilisez la tondeuse.

UTILISATION SUR UNE PENTE

Les pentes sont un facteur important lié aux accidents de glissements et de chutes qui peuvent entraîner une blessure grave. L'utilisation sur toutes les pentes nécessite une prudence accrue. Si vous vous sentez mal à l'aise sur une pente, ne la tondez pas.

- Tondez en vous déplaçant en travers des pentes; jamais vers le haut ou vers le bas. Soyez très prudent lorsque vous changez de direction sur les pentes.
- Surveillez les trous, les ornières, les bosses, les roches ou d'autres objets cachés. Un terrain inégal pourrait entraîner un glissement et une chute accidentelle. L'herbe haute peut cacher des obstacles.
- Ne pas tondre sur de l'herbe mouillée ou des pentes très raides. Si vos pieds ne sont pas d'aplomb, cela pourrait entraîner un glissement et une chute accidentelle.
- Ne pas tondre près des descentes abruptes, des fossés ou des talus. Vous pourriez perdre votre aplomb ou votre équilibre.

ENFANTS

Des accidents tragiques peuvent se produire si l'utilisateur ne fait pas attention à la présence des enfants. Les enfants sont souvent attirés par la tondeuse et l'activité de tonte. Ne jamais présumer que les enfants demeureront à l'endroit où vous les avez vus la dernière fois.

- Gardez les enfants hors de la zone de tonte et sous la vigilance d'un adulte responsable autre que l'utilisateur.
- Soyez alerte et éteignez la tondeuse si un enfant entre dans la zone.
- Ne jamais autoriser les enfants à utiliser la tondeuse.
- Soyez très prudent lorsque vous approchez les tournants sans visibilité, les arbustes, les arbres ou autres objets que peuvent voir empêcher de voir un enfant.

SERVICE GÉNÉRAL

- Ne jamais utiliser la tondeuse dans un endroit fermé.
- Gardez tous les écrous et les boulons serrés afin de vous assurer que l'équipement est en état de fonctionnement sécuritaire.
- Ne jamais modifier les dispositifs de sécurité. Vérifiez leur propre fonctionnement régulièrement.
- Gardez la tondeuse libre de toute herbe, feuille ou autre accumulation de débris. Laissez refroidir la tondeuse avant de l'entreposer.
- Si vous frappez un objet étranger, relâchez les boutons Marche/Arrêt **3** pour éteindre la tondeuse, attendez que la lame s'arrête et débranchez la tondeuse, puis inspectez-la. Réparez tout dommage avant de démarrer et d'utiliser la tondeuse.
- Ne jamais faire tout ajustement et toute réparation avec le moteur en marche ou si la tondeuse est branchée.
- Débranchez toujours la tondeuse avant d'ajuster, de nettoyer, de réparer, d'inspecter, de transporter, d'entreposer ou de laisser la tondeuse.
- Vérifiez les composantes du bac de ramassage et le protecteur d'éjection et remplacez-les au besoin par des pièces recommandées BLACK+DECKER seulement.
- Les lames de la tondeuse sont tranchantes. Enveloppez la lame ou portez des gants et soyez très prudent lorsque vous l'entretenez.
- Conservez ou remplacez les étiquettes d'instructions et de sécurité au besoin.

POUR TOUTES LES TONDEUSES À GAZON À ISOLATION DOUBLE

- Pièces de remplacement. Lorsque vous effectuez des réparations, utilisez seulement des pièces de remplacement identiques.
- Connexions polarisées de l'appareil

Pour réduire le risque de choc électrique, cet appareil est muni d'une fiche polarisée (une lame est plus large que l'autre) et nécessitera l'utilisation d'une rallonge polarisée. La fiche de l'appareil ne pourra être branchée dans une rallonge polarisée que dans un sens. Si la fiche ne s'insère pas dans la prise de la rallonge, inversez-la. Si la fiche ne

s'insère toujours pas, procurez-vous la bonne rallonge polarisée. Une rallonge polarisée nécessitera l'utilisation d'une prise murale polarisée. Celle-ci ne pourra être branchée dans la prise murale polarisée que dans un sens. Si la fiche ne s'insère pas dans la prise murale, inversez-la. Si elle ne s'insère toujours pas, appelez un électricien accrédité pour installer une prise murale adéquate. Ne jamais modifier la fiche de l'équipement, la prise femelle ou la fiche de la rallonge de quelque façon que ce soit.

AVERTISSEMENT : INSTRUCTIONS ET AVERTISSEMENTS DE SÉCURITÉ GÉNÉRAUX POUR TOUTES LES TONDEUSES

- CET OUTIL PEUT ÊTRE DANGEREUX. Suivez tous les avertissements et toutes les instructions de sécurité dans ce manuel. L'utilisateur est responsable de suivre les avertissements et instructions de ce manuel et sur l'appareil. Limitez l'utilisation de cette tondeuse aux personnes qui lisent, comprennent et suivent les avertissements et les instructions de ce manuel et sur l'appareil.
- Évitez les environnements dangereux. Ne pas utiliser des tondeuses dans des endroits humides ou mouillés.
- Ne pas utiliser sous la pluie.
- Gardez les enfants éloignés. Tous les visiteurs devraient être gardés à une distance sécuritaire de l'aire de travail.
- Portez des vêtements appropriés. Ne pas porter des vêtements amples ou des bijoux. Ils peuvent se coincer dans les pièces qui se déplacent. L'utilisation de gants en caoutchouc et de chaussures est recommandée lors du travail extérieur.
- Utilisez des lunettes de sécurité. Utilisez un masque facial ou antipoussières s'il y a de la poussière durant l'utilisation.
- Utilisez le bon outil. Ne pas utiliser la tondeuse à gazon pour toute tâche autre que celles pour lesquelles elle est conçue.
- La protection du disjoncteur différentiel de fuite à la terre (DDFT) doit être fournie sur le(s) circuit(s) ou les prise(s) pour être utilisée avec la tondeuse. Les connecteurs femelles sont disponibles avec une protection DDFT intégrée et peuvent être utilisés pour cette mesure de sécurité.

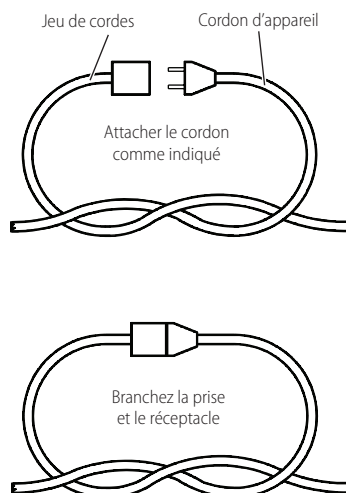
AVERTISSEMENT : afin de prévenir le risque de choc électrique, utilisez seulement avec une rallonge conçue pour l'utilisation à l'extérieur, comme SW, SOW, STW, STOW, SJW, SJOW, SJTW ou SJTOW.

- Utiliser des rallonges

Assurez-vous que la rallonge est en bon état avant de l'utiliser. Utilisez toujours des rallonges ayant une taille appropriée pour l'outil, c'est-à-dire, la taille de cordon appropriée pour différentes longueurs de cordon et suffisamment lourdes pour transporter le courant dont l'outil aura besoin. L'utilisation d'un cordon de taille inférieure entraînera une chute de tension de secteur ce qui causera une perte de puissance et une surchauffe. Pour les cordons

de taille appropriée, consultez le tableau ci-dessous. Afin de réduire la possibilité de débranchement du cordon de la tondeuse à gazon au niveau de la rallonge durant le fonctionnement :

- i) Faites un nœud comme illustré ou



- ii) Utilisez une des sangles de fixation du connecteur femelle de la fiche ou les connecteurs décrit dans ce manuel.

- Ne pas abuser du cordon. Ne jamais tirer la tondeuse à gazon par le cordon ou tirez celui-ci d'un coup sec pour le débrancher de la prise. Gardez le cordon hors de portée de la chaleur, de l'huile, les bords coupants.
- Ne pas forcer la tondeuse. Elle travaillera mieux et sera plus sécuritaire à la vitesse pour laquelle elle a été conçue.
- Ne pas s'étirer. Maintenez vos pieds bien daplomb sur le sol et un bon équilibre en tout temps.
- Demeurez vigilant. Regardez ce que vous faites. Faites preuve de bon sens. Ne pas utiliser la tondeuse lorsque vous êtes fatigué.
- Débranchez la tondeuse. Débranchez la tondeuse à gazon de l'alimentation lorsque vous ne l'utilisez pas, avant de réparer, lorsque vous changez les accessoires comme les lames et autres.
- Entrezposez la tondeuse à gazon arrêtée à l'intérieur. Lorsqu'elle n'est pas utilisée, la tondeuse à gazon doit être entreposée à l'intérieur dans un endroit sec et verrouillé hors de portée des enfants.
- Entretenez soigneusement la tondeuse à gazon. Gardez bords coupants aiguisés et propre pour la meilleure performance et la plus sécuritaire.
- Pour lubrifier l'outil et remplacer les accessoires, suivez les directives du manuel.
- Inspectez régulièrement le cordon de la tondeuse à gazon et s'il est endommagé, faites-le réparer dans un établissement de services autorisé. Inspectez régulièrement les rallonges et remplacez-les si elles sont

FRANÇAIS

endommagées. Gardez vos mains sèches, propres et exemptes de graisse et de poussière.

- Maintenez les protecteurs en place en bon état de fonctionnement.
- Gardez les lames aiguisées.
- Gardez vos mains et vos pieds à distance de la zone de coupe.
- Les objets frappés par la lame de la tondeuse à gazon peuvent causer des blessures graves à des personnes. Le gazon doit toujours être soigneusement examiné et libre de tout objet avant chaque tonte.
- Si la tondeuse à gazon frappe un objet étranger, suivez ces étapes :
 - Arrêtez la tondeuse à gazon. Relâchez le bouton.
 - Débranchez le cordon d'alimentation.
 - Inspectez pour tout dommage.
 - Réparez tout dommage avant de redémarrer et d'utiliser la tondeuse à gazon.
 - Utilisez seulement des lames de remplacement identiques.

CONSERVEZ CES INSTRUCTIONS



DANGER : AVERTISSEMENTS SUPPLÉMENTAIRES POUR LES TONDEUSES

- **VÉRIFIEZ LES PIÈCES ENDOMMAGÉES.** Avant toute utilisation ultérieure de la tondeuse, un protecteur ou une autre pièce qui est endommagé doit être soigneusement vérifié afin de déterminer s'il fonctionnera correctement et s'il effectuera la fonction prévue. Vérifiez l'alignement des pièces qui se déplacent, les fixations des pièces qui se déplacent, le bris des pièces, le montage et tout autre état qui peut affecter leur utilisation. Un protecteur ou une autre pièce qui est endommagé doit être convenablement réparé ou remplacé par un centre de services autorisé sauf indication contraire dans ce manuel.

RÉPARATIONS ET SERVICE. Les réparations, l'entretien et les ajustements non énumérés dans le présent manuel doivent être effectués dans des centres de services autorisés Black+Decker ou des entreprises de service qualifiées, toujours en utilisant des pièces de remplacement identiques.

Renseignements de sécurité supplémentaires



AVERTISSEMENT : TOUJOURS porter des lunettes de sécurité. Les lunettes de tous les jours NE SONT PAS des lunettes de sécurité. De plus, utilisez un masque facial ou antipoussière si l'opération de coupe est poussiéreuse. **PORTEZ TOUJOURS UN ÉQUIPEMENT DE SÉCURITÉ CERTIFIÉ :**

- Protection des yeux ANSI Z87.1 (CAN/CSA Z94.3),
- protection auditive ANSI S12.6 (S3.19),
- protection respiratoire NIOSH/OSHA/MSHA.



AVERTISSEMENT : certaines poussières créées par ce produit contiennent des produits chimiques reconnus dans l'État de la Californie pour causer le cancer, des anomalies congénitales ou autres effets nuisibles sur la reproduction. Certains exemples de ces produits chimiques sont :

- des composants de fertilisants
- des composants d'insecticides, d'herbicides et de pesticides
- l'arsenic et le chrome provenant du bois de construction traité chimiquement

Pour réduire votre exposition à ces produits chimiques, portez un équipement de sécurité approuvé, comme un masque antipoussière spécialement conçu pour filtrer les particules microscopiques.

- **Pour la sécurité de l'utilisateur, utiliser une rallonge de calibre adéquat (AWG, American Wire Gauge [calibrage américain normalisé des fils électriques]).** Plus le calibre est petit, et plus sa capacité est grande. Un calibre 16, par exemple, a une capacité supérieure à un calibre 18. L'usage d'une rallonge de calibre insuffisant causera une chute de tension qui entraînera perte de puissance et surchauffe. Si plus d'une rallonge est utilisée pour obtenir une certaine longueur, s'assurer que chaque rallonge présente au moins le calibre de fil minimum. Le tableau ci-dessous illustre les calibres à utiliser selon la longueur de rallonge et l'intensité nominale indiquée sur la plaque signalétique. En cas de doute, utiliser le calibre suivant. Plus le calibre est petit, plus la rallonge peut supporter de courant.

Calibre minimum pour les cordons d'alimentation

Volts		Longueur totale du cordon d'alimentation en mètre (pieds)			
120 V		7,6 (25)	15,2 (50)	30,5 (100)	45,7 (150)
240 V		15,2 (50)	30,5 (100)	61,0 (200)	91,4 (300)
Ampères		AWG			
Plus que	Pas plus que				
0	6	18	16	16	14
6	10	18	16	14	12
10	12	16	16	14	12
12	16	14	12	Non recommandé	

L'étiquette apposée sur votre outil peut inclure les symboles suivants. Les symboles et leur définition sont indiqués ci-après :

V	volts	sfpm	pieds linéaires par minute (plpm)
Hz	hertz	SPM (FPM)	fréquence par minute
min	minutes	A	ampères
— or DC	courant continu	W	watts
Ⓢ	fabrication classe I (mis à la terre)	~ or AC	courant alternatif
.../min	par minute	Ⓢ or AC/DC	courant alternatif ou continu
BPM	battements par minute	Ⓢ	fabrication classe II (double isolation)
IPM	impacts par minute	n ₀	vitesse à vide
RPM	revolutions per minute	n	vitesse nominale

borne de terre	protection oculaire
symbole d'avertissement	protection auditive
radiation visible	lire toute la documentation
protection respiratoire		

CONSERVER CES CONSIGNES POUR UTILISATION ULTÉRIEURE

DESCRIPTION (Fig. A)

AVERTISSEMENT : ne jamais modifier l'outil électrique ni aucun de ses composants, car il y a risques de dommages corporels ou matériels.

Reportez-vous en Figure A au début de ce manuel pour obtenir la liste complète des composants.

Usage Prévu

Cette tondeuse a été conçue pour des applications de tonte de gazon résidentielles.

NE PAS les utiliser en milieu ambiant humide ou en présence de liquides ou de gaz inflammables.

NE PAS le laisser à la portée des enfants. Une supervision est nécessaire auprès de tout utilisateur non expérimenté.

ASSEMBLAGE ET AJUSTEMENTS

(if there is no assembly, this section may be Ajustements)

AVERTISSEMENT : pour réduire le risque de blessures graves, éteindre l'outil et retirer le débrancher avant d'effectuer tout réglage et d'enlever ou d'installer tout accessoire. Un démarrage accidentel peut provoquer des blessures.

Consultez la Fig. A pour vous familiariser avec l'endroit où se situent les différentes commandes et les différents ajustements. Conservez ce guide pour référence ultérieure.

AVERTISSEMENT : Avant d'assembler, assurez-vous que les boutons Marche/Arrêt sont relâchés.

Assembler le bac de ramassage (Fig. B, B1, B2, B3)

AVERTISSEMENT : en conditions d'utilisation normale, l'assemblage du bac de ramassage est assujéti à la détérioration et l'usure et doit, par conséquent, être vérifié souvent en vue d'un remplacement. Tout assemblage de remplacement doit être vérifié conformément aux recommandations de BLACK+DECKER.

1. Avant de démarrer l'assemblage du sac à herbe au cadre, assurez-vous que le sac à herbe et le cadre sont semblables à la Fig. B.
2. Glissez le sac à herbe sur le cadre comme illustré dans la Fig. B1.
3. Assemblez les fixations supérieures au cadre comme illustré dans la Fig. B2, puis assemblez les deux fixations des deux côtés et la fixation inférieure en dernier.

4. Le bac de ramassage entièrement assemblé est affiché dans la Fig. B3.

Fig. B

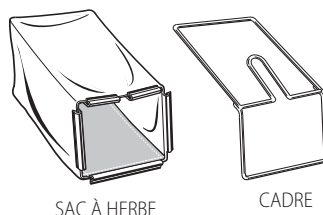


Fig. B1

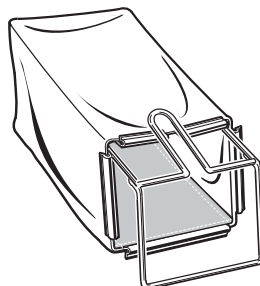


Fig. B2

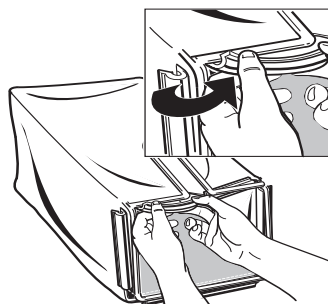
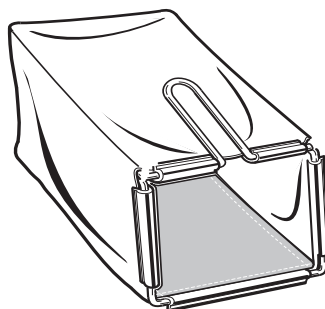


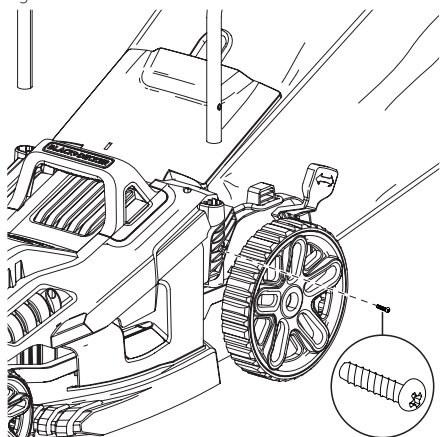
Fig. B3



Ajuster la poignée inférieure (Fig. C)

1. Insérez les extrémités de la poignée inférieure dans les trous correspondants dans la tondeuse.
2. Baissez la poignée aussi loin qu'elle peut aller.
3. Sécurisez la poignée à l'aide de vis.

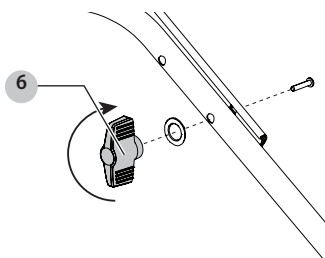
Fig. C



Assembler la poignée supérieure (Fig. D)

Ajustez la pièce de la poignée supérieure à la poignée inférieure à l'aide des boutons de poignée **6**, des rondelles et des vis comme illustré.

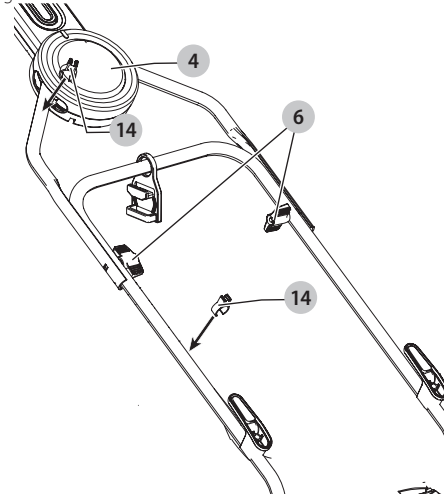
Fig. D



Sécuriser le câble du moteur (Fig. E)

1. Le câble du moteur doit être fixé à l'aide du dispositif de retenue du câble.
2. Enclenchez une pince de retenue **14** autour du câble et de la poignée inférieure à environ 6 pouces (152,4 mm) sous le bouton de poignée **6**.
3. Enclenchez une pince de retenue **14** autour du câble et de la poignée inférieure à environ 6 pouces (152,4 mm) sous la commande de pivot **4**.

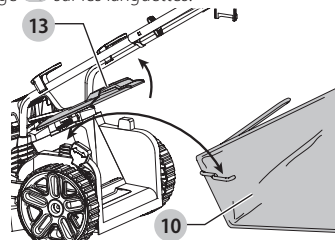
Fig. E



Ajuster le bac de ramassage (Fig. F)

1. Levez le volet arrière **13** et placez le bac de ramassage **10** sur les languettes.

Fig. F



UTILISATION

! **AVERTISSEMENT :** pour réduire le risque de blessures graves, éteindre l'outil et retirer le débrancher avant d'effectuer tout réglage et d'enlever ou d'installer tout accessoire. Un démarrage accidentel peut provoquer des blessures.

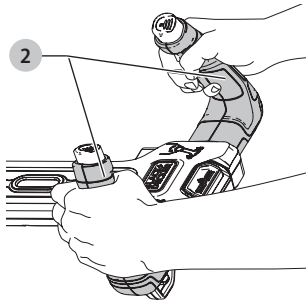
Position correcte des mains (Fig. G)

! **AVERTISSEMENT :** pour réduire tout risque de dommages corporels graves, adopter **SYSTÉMATIQUEMENT** la position des mains illustrée.

! **AVERTISSEMENT :** pour réduire tout risque de dommages corporels graves, maintenir **SYSTÉMATIQUEMENT** l'outil fermement pour anticiper toute réaction soudaine.

La position des mains adéquate nécessite les deux mains sur les poignées confortables **2**.

Fig. G



LISEZ LE MANUEL D'INSTRUCTIONS ET LES RÈGLES DE SÉCURITÉ AVANT D'UTILISER VOTRE TONDEUSE.

Consultez la Fig. A pour vous familiariser avec l'endroit où se situent les différents commandes et les différents ajustements. Conservez ce guide pour référence ultérieure.

AVERTISSEMENT : LES LAMES EN ROTATION PEUVENT CAUSER DE GRAVES BLESSURES. AFIN DE PRÉVENIR UNE BLESSURE, DÉBRANCHEZ LA TONDEUSE LORSQU'ELLE EST LAISSÉE SANS SURVEILLANCE, NETTOYÉE, RÉPARÉE, TRANSPORTÉE, LEVÉE OU ENTREPOSÉE.

AVERTISSEMENT : lame tranchante en mouvement. Ne pas utiliser la tondeuse si la porte arrière n'est pas fermée sous la tension du ressort puisque cela pourrait entraîner une blessure grave. Apportez votre tondeuse au centre de services le plus près pour des réparations.

AVERTISSEMENT : lame tranchante en mouvement. Ne jamais utiliser la tondeuse à moins que les crochets de suspension sur le sac à herbe soient bien placés sur la tondeuse et que la porte d'éjection arrière demeure bien sur le dessus du bac de ramassage puisque cela pourrait entraîner une blessure grave.

AVERTISSEMENT : ne pas utiliser la tondeuse sans le bac de ramassage **10** fixé.

AVERTISSEMENT : laissez l'appareil fonctionner à son propre rythme. Ne pas surcharger.

Ajuster la hauteur de la coupe (Fig. H)

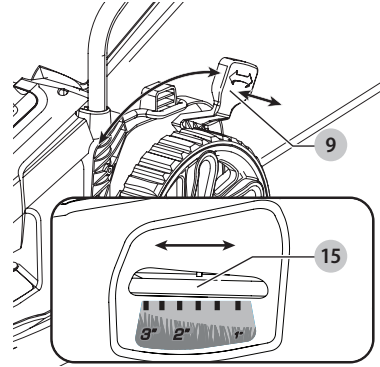
La hauteur de la coupe est ajustée par le mécanisme d'ajustement de la hauteur central. Vous pouvez choisir parmi 6 positions.

Pour régler la hauteur de la coupe

1. Tirez le levier de réglage de la hauteur **9** loin du corps de l'appareil.
2. Déplacez le levier vers l'arrière de l'appareil pour baisser la hauteur de la coupe.
3. Déplacez le levier vers l'avant de l'appareil pour augmenter la hauteur de la coupe.
4. Poussez le levier de réglage de la hauteur dans une des 6 positions de hauteur.

REMARQUE : La hauteur de la coupe peut être vue sur la jauge de la hauteur de la coupe **15** sur le côté de l'appareil.

Fig. H



Mettre en marche et éteindre (Fig. I)

AVERTISSEMENT : DANGER : LAME TRANCHANTE EN MOUVEMENT. NE JAMAIS TENTER DE FORCER LE FONCTIONNEMENT DU BOUTON, CAR CELA POURRAIT ENTRAÎNER UNE BLESSURE GRAVE.

Mise en marche

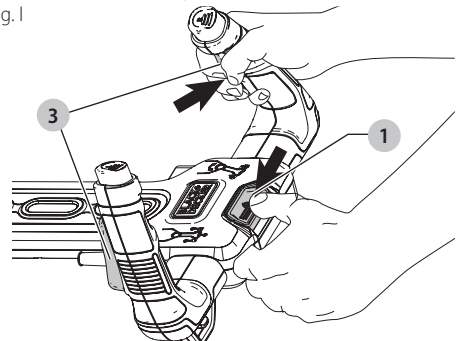
1. Appuyez et maintenez l'interrupteur de sécurité **1**.
2. **REMARQUE** : Vous ne pouvez pas appuyer sur les deux boutons MARCHE/ARRÊT lorsque vous maintenez l'interrupteur de sécurité
3. Appuyez sur le bouton MARCHE/ARRÊT **3** gauche ou droit vers la poignée et maintenez-le.
4. Relâchez l'interrupteur de sécurité **1**.
5. La tondeuse fonctionnera avec l'un ou l'autre des boutons MARCHE/ARRÊT **3** activés.

Éteindre

1. Relâchez les deux boutons MARCHE/ARRÊT **3**.

AVERTISSEMENT : ne jamais tenter de verrouiller le Marche/Arrêt lorsque l'outil est en marche.

Fig. I



Tondre (Fig. J, K)

REMARQUE : INSPECTEZ TOUJOURS LA ZONE OÙ LA TONDEUSE DOIT ÊTRE UTILISÉE ET RETIREZ TOUTES LES PIERRES, TOUS LES BÂTONS, FILS ET AUTRES DÉBRIS QUI PEUVENT ÊTRE PROJETÉS PAR LA LAME EN ROTATION.

FRANÇAIS

Nous vous recommandons d'utiliser votre tondeuse comme indiqué dans cette section afin d'atteindre des résultats optimaux et de réduire le risque de couper le câble principal.

1. Formez une boucle à travers le système de gestion du fil **7** comme illustré (Fig. J). Assurez-vous de laisser environ 3 pieds (100 cm) de cordon entre l'interrupteur de sécurité **1** et le système de gestion du fil.
2. Assurez-vous que le système de gestion du fil peut glisser librement d'un côté à l'autre.
3. Placez le majeure partie de la rallonge sur le gazon, près du point de départ (position 1 dans la Fig. K).
4. Mettez la tondeuse en marche comme illustré ci-dessus.
5. Procédez comme illustré dans la Fig. K.
6. Passez de la position 1 à la position 2.
7. Tournez à droite, passez par-dessus la rallonge et passez à la position 3. Le système de gestion du fil glissera d'un côté à l'autre, assurant que la rallonge est maintenue à l'écart de la lame de coupe.
8. Tournez à gauche, passez par-dessus la rallonge et passez à la position 4. La rallonge glissera d'un côté à l'autre de la poignée, assurant que la rallonge est maintenue à l'écart de la lame de coupe.
9. Répétez la procédure ci-haut au besoin.

AVERTISSEMENT : ne pas tondre vers le fil comme illustré dans la Fig. K.

Fig. J

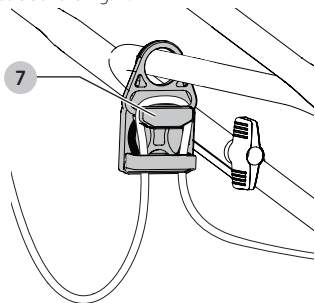
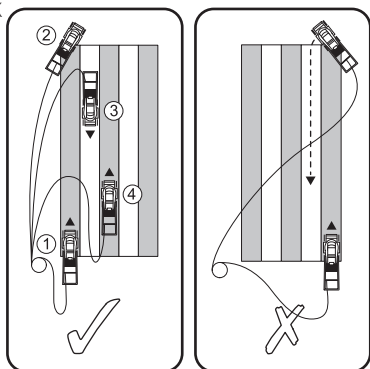


Fig.K



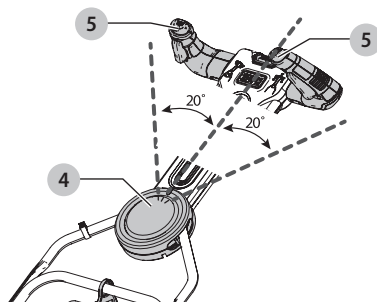
Commande de pivot (Fig. L)

Cette tondeuse est munie d'une commande de pivot. Cette fonction permet une manœuvrabilité dans les espaces fermés et de tourner.

1. Pour activer l'action pivotante de la commande de pivot **4**, appuyez sur un des boutons de commande du pivot **5** et déplacez les poignées confortables **2** vers la gauche ou la droite de 20 degrés.
2. Les poignées se verrouilleront automatiquement en position de fonctionnement normal lorsque les poignées sont placées à zéro degré.

ATTENTION : assurez-vous que la poignée de la commande de pivot est bien verrouillée en place avant d'utiliser la tondeuse.

Fig. L



Vider le bac de ramassage

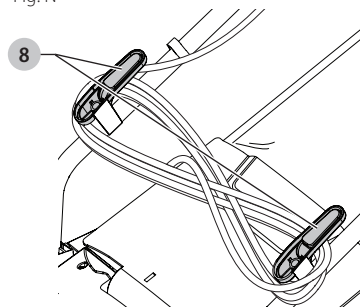
1. Relâchez les boutons Marche/Arrêt **3** et débranchez la tondeuse.
2. Retirez le bac de ramassage **10**.
3. Videz le contenu.

Entreposage du fil (Fig. N)

Les supports du fil **8** offrent une manière pratique et sécuritaire pour entreposer la rallonge lorsque vous n'utilisez pas la tondeuse.

1. Enroulez la rallonge autour des supports du fil en forme de huit.

Fig. N



Transporter la tondeuse (Fig. A)

AVERTISSEMENT : la lame en rotation peuvent causer de graves blessures. Relâchez les boutons MARCHE/ARRÊT **3** pour éteindre la tondeuse, débranchez la tondeuse avant de lever, transporter ou entreposer la tondeuse. Entrez dans un endroit sec.

- La tondeuse peut être transportée à l'aide des poignées de transport **12**.

Retirer la lame (Fig. O, P)

AVERTISSEMENT : assurez-vous que la lame est complètement arrêtée et débranchez la tondeuse de la source d'alimentation.

AVERTISSEMENT : utilisez seulement la lame de remplacement indiquée : Pour BEMW472ES et BEMW482ES, relâchez les boutons Marche/Arrêt 3 pour éteindre, ATTENDEZ QUE LA LAME S'ARRÊTE ET DÉBRANCHEZ LA TONDEUSE.

ATTENTION : chaque fois que la lame est retirée, installée ou aiguisée, portez des gants et une protection oculaire appropriée. Faites attention aux bords aiguisés sur la lame.

1. Coupez une pièce de bois 2 x 4 17 [environ 1 pied de long (305 mm)] pour empêcher la lame de tourner pendant que vous retirez l'écrou de la bride.
2. Tournez l'appareil sur le côté.

REMARQUE : Portez des gants et une protection oculaire appropriée. Faites attention aux bords aiguisés de la lame.

3. Placez une pièce de bois 17 pour empêcher la lame de tourner comme illustré dans la Fig. O.
4. Utilisez une clé 9/18 pouce 16 pour desserrer et retirez le boulon de la lame 19 en tournant dans le sens contraire des aiguilles d'une montre.
5. Retirez la lame 20, l'isolant de la lame 21 comme illustré dans la Fig. P. Examinez toutes les pièces pour tout dommage et remplacez-les au besoin.

Fig. O

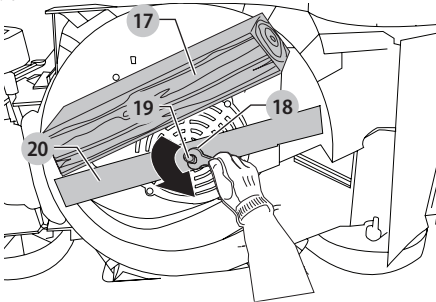
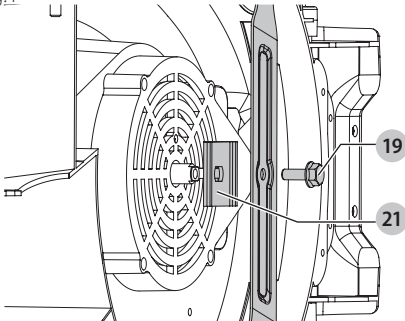


Fig. P

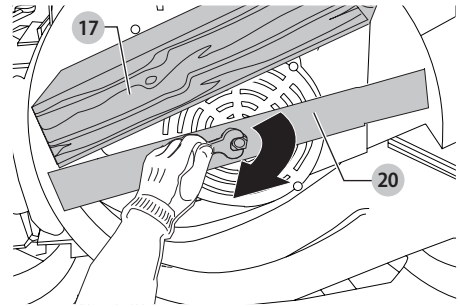


Installer la lame (Fig. P, Q)

1. Placez l'isolant de la lame 21 avec les côtés élevés vers la lame sur la tige du boulon en vous assurant de l'aligner avec forme D double sur la tige du boulon.

2. Placez la lame entre les côtés élevés de l'isolant 21 en vous assurant que le lettrage sur la lame est à loin de l'isolant.
3. Vissez le boulon de la lame sur la tige du boulon et serrez le plus solidement possible à la main.
4. Placez une pièce de bois 17 pour empêcher la lame de tourner comme illustré dans la Fig. O.
5. Utilisez une clé 9/16 pouce pour vissez le boulon de la lame en tournant dans le sens des aiguilles d'une montre.

Fig. Q



Aiguiser la lame

GARDEZ LA LAME AIGUISÉE POUR UNE MEILLEURE PERFORMANCE DE LA TONDEUSE. UNE LAME ÉMOUSSÉE NE COUPE PAS L'HERBE NETTEMENT OU NE DÉCHIQUETTE PAS CORRECTEMENT.

UTILISEZ UNE PROTECTION OCULAIRE APPROPRIÉE PENDANT QUE VOUS RETIREZ, AIGUISEZ ET INSTALLEZ LA LAME. ASSUREZ-VOUS QUE LA TONDEUSE EST BRANCHÉE.

Aiguiser la lame deux fois par saison de tonte est habituellement suffisant en circonstances normales. Le sable cause l'éroussissement rapide de la lame. Si le gazon a un sol sablonneux, aiguiser plus souvent peut être nécessaire.

REMPLEZ IMMÉDIATEMENT UNE LAME PLIÉE OU ENDOMMAGÉE.

Lorsque vous aiguiser la lame :

1. Assurez-vous que la lame reste équilibrée.
2. Aiguiser la lame dans l'angle de coupe original.
3. Aiguiser les bords coupants aux deux extrémités de la lame, retirez une quantité égale de matière aux deux extrémités.

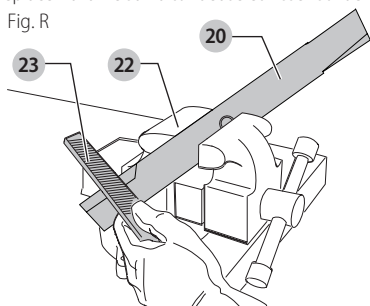
Pour aiguiser la lame dans un étai (Fig. R) :

1. Assurez-vous que les poignées confortables 2 sont relâchées, que la lame est arrêtée et que la tondeuse est débranchée.
2. Retirez la lame de la tondeuse. Consultez les instructions pour retirer et installer la lame.
3. Sécurisez la lame 20 dans un étai 22.
4. Portez une protection oculaire et des gants appropriés et faites attention de ne pas vous couper.

FRANÇAIS

5. Limez soigneusement les bords coupants de la lame avec une lime à dents fines **23** ou une pierre à aiguiser, en maintenant le bord de coupe original.
6. Vérifiez l'équilibre de la lame. Consultez les instructions pour **équilibrer la lame**.
7. Remplacez la lame sur la tondeuse et vissez solidement.

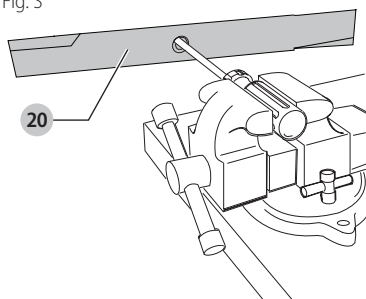
Fig. R



Équilibrer la lame (Fig. S)

1. Vérifiez l'équilibre de la lame **20** en plaçant le trou central de la lame sur un clou ou un tournevis à tige ronde, fixée horizontalement dans un étau.
2. Si l'une ou l'autre des extrémités de la lame tourne vers le bas, limez cette extrémité. La lame est bien équilibrée lorsqu'aucune des extrémités ne baisse.

Fig. S



MAINTENANCE



AVERTISSEMENT : pour réduire le risque de blessures graves, éteindre l'outil et retirer le débrancher avant d'effectuer tout réglage et d'enlever ou d'installer tout accessoire. Un démarrage accidentel peut provoquer des blessures.

Nettoyage



AVERTISSEMENT : enlever les saletés et la poussière hors des événements au moyen d'air comprimé propre et sec, au moins une fois par semaine. Pour minimiser le risque de blessure aux yeux, toujours porter une protection oculaire conforme à la norme ANSI Z87.1 lors du nettoyage.



AVERTISSEMENT : ne jamais utiliser de solvants ni d'autres produits chimiques puissants pour nettoyer

les pièces non métalliques de l'outil. Ces produits chimiques peuvent affaiblir les matériaux de plastique utilisés dans ces pièces. Utiliser un chiffon humecté uniquement d'eau et de savon doux. Ne jamais laisser de liquide pénétrer dans l'outil et n'immerger aucune partie de l'outil dans un liquide.

Prévenir la corrosion (Fig. A)

Les fertilisants et d'autres produits chimiques pour le jardin contiennent des agents qui accélèrent grandement la corrosion des métaux. Si vous tondez dans des zones où des fertilisants et des produits chimiques ont été utilisés, la tondeuse doit être immédiatement nettoyée après comme ce qui suit :

1. Pour éteindre la tondeuse, relâchez le levier du bouton Marche/Arrêt **3** et débranchez la tondeuse.
2. Essayez toutes les pièces exposées avec un linge humide.



ATTENTION : NE PAS VERSER OU VAPORISER DE L'EAU SUR LA TONDEUSE POUR TENTER DE LA NETTOYER. Ne pas entreposer l'outil sur ou près de fertilisants ou de produits chimiques. Un tel entreposage peut causer de la corrosion.

Position d'entreposage

Pour un entreposage plus compact, la tondeuse peut être entreposée en position verticale, avec la poignée repliée.

Desserrez les deux boutons de poignée **6** et baissez la section de la poignée supérieure. Faites attention de ne pas pincer le cordon d'alimentation. Serrez les deux boutons inférieurs.



ATTENTION : point de pincement. Pour éviter d'être pincé, gardez vos doigts loin de la zone entre les poignées en baissant.

Conseils pour résultats optimaux

- Si le gazon est plus long que 4 pouces (10 cm), effectuez deux tontes pour obtenir un meilleur fini. Tondez d'abord à la hauteur de coupe maximum, puis utilisez une hauteur de coupe basse ou moyenne.
- Afin d'obtenir des résultats optimaux, tondez seulement sur du gazon sec.

Tondeuse surchargée

Afin de prévenir les dommages dus à des conditions de surcharge, ne pas tenter de couper trop d'herbe à la fois. Ralentissez le rythme de votre coupe ou augmentez la hauteur de la coupe.

RESPECTE LES EXIGENCES DE SÉCURITÉ DE LA CPSC

Les tondeuses BLACK+DECKER sont conformes aux normes de sécurité de l'American National Standards Institute et de la Consumer Product Safety Commission aux États-Unis. La lame tourne lorsque le moteur est en marche.

Accessoires



AVERTISSEMENT : *puisque les accessoires autres que ceux offerts par BLACK+DECKER n'ont pas été testés avec ce produit, leur utilisation pourrait s'avérer dangereuse. Pour réduire le risque de blessures, utiliser exclusivement les accessoires BLACK+DECKER recommandés avec le présent produit.*

Les accessoires recommandés pour cet outil sont vendus séparément au centre de service de votre région. Pour obtenir de l'aide concernant l'achat d'un accessoire, communiquer avec BLACK+DECKER Industrial Tool Co., 701 East Joppa Road, Towson, MD 21286 aux États-Unis; composer le 1 800 433-9258 (1 800 4-BLACK+DECKER) ou visiter notre site Web : www.BLACK+DECKER.com.

Réparations



AVERTISSEMENT : *pour assurer la SÉCURITÉ et la FIABILITÉ du produit, les réparations, l'entretien et les réglages doivent être réalisés (cela comprend l'inspection et le remplacement du balai, le cas échéant) par un centre de réparation en usine BLACK+DECKER ou un centre de réparation agréé BLACK+DECKER. Toujours utiliser des pièces de rechange identiques.*

Registre en ligne

Merci pour votre achat. Enregistrez dès maintenant votre produit :

- **RÉPARATIONS SOUS GARANTIE :** cette carte remplie vous permettra de vous prévaloir du service de réparations sous garantie de façon plus efficace dans le cas d'un problème avec le produit.
- **CONFIRMATION DE PROPRIÉTÉ :** en cas de perte provoquée par un incendie, une inondation ou un vol, cette preuve de propriété vous servira de preuve auprès de votre compagnie d'assurances.
- **SÉCURITÉ :** l'enregistrement de votre produit nous permettra de communiquer avec vous dans l'éventualité peu probable de l'envoi d'un avis de sécurité régi par la loi fédérale américaine de la protection des consommateurs.

Registre en ligne à www.BLACK+DECKER.com/register.

GARANTIE LIMITÉE DE DEUX ANS

Black & Decker (U.S.) In. garantit ce produit être libre de défaut de matériau et de main-d'œuvre pour une durée de deux (2) ans suivant la date d'achat, à condition qu'il ait été utilisé en milieu domiciliaire. La présente garantie limitée ne couvre pas les pannes causées par abus d'utilisation, dommage accidentel ou si une réparation a été faite ou tentée par quiconque autre que les centres de service autorisés BLACK+DECKER. Un produit défectueux selon les termes de la garantie décrits dans les présentes sera remplacé ou réparé sans frais de l'une ou l'autre des façons suivantes :

La première, qui résultera en un simple échange, est de retourner le produit au détaillant chez lequel il a été acheté (pouvant être le magasin est un détaillant participant). Les retours devraient être faits à l'intérieur de la période de temps de la politique du détaillant pour les échanges. Une preuve d'achat pourrait être requise. Veuillez consulter le détaillant pour connaître la limite de temps pour échange selon sa politique particulière. La seconde façon est d'apporter ou d'expédier le produit (port payé d'avance) à un centre de service autorisé ou propriété de BLACK+DECKER pour réparation ou remplacement. Une preuve d'achat pourrait être requise. La liste des centres de service de BLACK+DECKER et ateliers autorisés est offerte en ligne à www.blackanddecker.com. La présente garantie ne s'applique pas aux accessoires. La présente garantie vous donne des droits légaux particuliers et vous pouvez avoir d'autres droits qui varient d'une province ou d'un état à l'autre. Pour toute question, veuillez communiquer avec le directeur d'un centre de service de BLACK+DECKER. L'outil acheté n'est pas prévu pour usage commercial, conséquemment, un tel usage annulera sa garantie. Les présentes constituent un désistement à toute garantie expresse ou implicite d'autres sources. AMÉRIQUE LATINE La présente garantie ne s'applique pas aux produits vendus en Amérique latine. Pour les produits vendus en Amérique latine, consulter les renseignements sur la garantie particulière au pays incluse dans l'emballage, appeler l'agence locale de distribution ou consulter le site Web pour plus de précisions.

AMÉRIQUE LATINE : cette garantie ne s'applique aux produits vendus en Amérique latine. Pour ceux-ci, veuillez consulter les informations relatives à la garantie spécifique présente dans l'emballage, appeler l'entreprise locale ou consulter le site Web pour les informations relatives à cette garantie.

REMPLACEMENT GRATUIT DES ÉTIQUETTES

D'AVERTISSEMENT : si les étiquettes d'avertissement deviennent illisibles ou sont manquantes, composer le 1 800 433-9258 (1 800 4-BLACK+DECKER) pour en obtenir le remplacement gratuit.

Imported by Black & Decker (U.S.) Inc.,
701 E. Joppa Rd.
Towson, MD 21286



BlackandDecker.com
1-800-544-6986

Guide de dépannage

ASSUREZ-VOUS DE SUIVRE LES RÈGLES DE SÉCURITÉ ET LES INSTRUCTIONS

Pour obtenir de l'aide au sujet du produit, visitez notre site Web au www.blackanddecker.com pour une liste des centres de services ou téléphonez au centre de service à la clientèle de BLACK+DECKER 1-800-544-6986.

PROBLÈME	CAUSES POSSIBLES	SOLUTIONS POSSIBLES
<ul style="list-style-type: none"> La tondeuse ne démarre pas. 	<ul style="list-style-type: none"> Le cordon n'est pas branché. Le fusible du circuit a sauté. Le disjoncteur s'est déclenché. Le cordon ou l'interrupteur est endommagé. Le gazon est trop. Le protecteur thermique est activé. 	<ul style="list-style-type: none"> Branchez la tondeuse dans une prise qui fonctionne. Remplacez le fusible du circuit. (Si le produit fait sauter à maintes reprises le fusible, cessez immédiatement l'utilisation et faites-le réparer par un centre de services BLACK+DECKER autorisé.) Réenclenchez le disjoncteur. (Si le produit fait enclencher à maintes reprises le disjoncteur, cessez immédiatement l'utilisation et faites-le réparer par un centre de services BLACK+DECKER autorisé.) Faites remplacer le cordon ou l'interrupteur dans un centre de services BLACK+DECKER autorisé. Augmentez la hauteur de la coupe et déplacez la tondeuse dans du gazon plus court pour commencer. Laissez refroidir le moteur et augmenter la hauteur de la coupe.
<ul style="list-style-type: none"> La tondeuse fonctionne de façon intermittente. 	<ul style="list-style-type: none"> Le protecteur thermique est activé. 	<ul style="list-style-type: none"> Laissez refroidir le moteur et augmenter la hauteur de la coupe.
<ul style="list-style-type: none"> La tondeuse laisse un fini irrégulier ou le moteur force. 	<ul style="list-style-type: none"> La hauteur de la coupe est trop basse. La lame de coupe est émoussée. Le dessous de la tondeuse est obstrué. 	<ul style="list-style-type: none"> Augmentez la hauteur de la coupe. Remplacez ou aiguissez la lame. Débranchez la tondeuse. Vérifiez les dessous de la tondeuse et retirez les débris au besoin. (Portez toujours des gants de travail)

Definiciones: Símbolos y palabras de alerta de seguridad

Este manual de instrucciones utiliza los siguientes símbolos y palabras de alerta de seguridad para alertarle de situaciones peligrosas y del riesgo de lesiones corporales o daños materiales.



PELIGRO: Indica una situación de peligro inminente que, si no se evita, provocará **la muerte o lesiones graves**.



ADVERTENCIA: Indica una situación de peligro potencial que, si no se evita, **podría provocar la muerte o lesiones graves**.



ATENCIÓN: Indica una situación de peligro potencial que, si no se evita, **posiblemente** provocaría **lesiones leves o moderadas**.



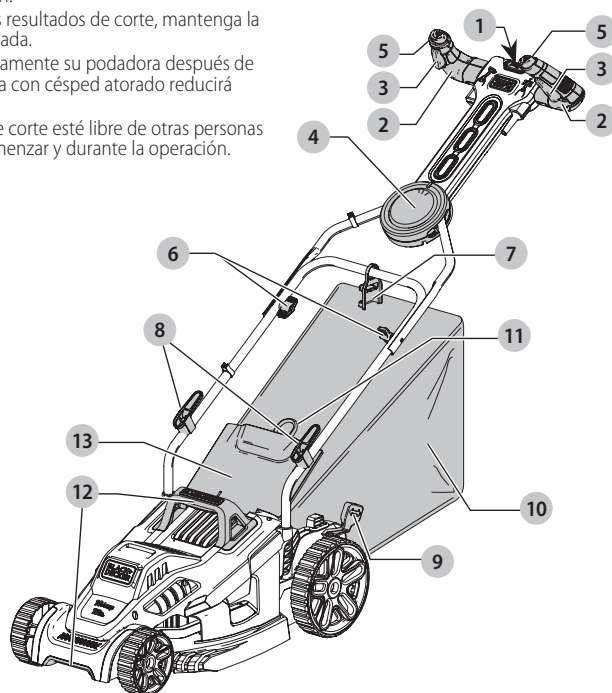
(Utilizado sin palabras) indica un mensaje de seguridad relacionado.

AVISO: Se refiere a una práctica **no relacionada a lesiones corporales** que de no evitarse **puede** resultar en **daños a la propiedad**.

INFORMACIÓN CLAVE QUE DEBE SABER:

- No opere la podadora a menos que la manija esté bloqueada en su posición.
- Para obtener los mejores resultados de corte, mantenga la cuchilla afilada y equilibrada.
- Revise y limpie minuciosamente su podadora después de cada uso (una plataforma con césped atorado reducirá el rendimiento).
- Asegúrese que el área de corte esté libre de otras personas o mascotas antes de comenzar y durante la operación.

Fig. A



- 1 Interruptor de seguridad
- 2 Manijas de agarre de comodidad
- 3 Interruptores ON/OFF (encendido/apagado)
- 4 Control de pivote
- 5 Botones de control de pivote
- 6 Perillas de manija
- 7 Sistema de administración de cables
- 8 Portacables
- 9 Palanca de ajuste de altura
- 10 Recogedor de hierba
- 11 Mango de recogedor de hierba
- 12 Manijas de transporte
- 13 Aleta trasera



¡ADVERTENCIA! Lea todas las advertencias de seguridad e instrucciones. El incumplimiento de las advertencias e instrucciones puede provocar descargas eléctricas, incendios o lesiones graves.



ADVERTENCIA: Para reducir el riesgo de lesiones, lea el manual de instrucciones.

LAS SIGUIENTES SON EXPLICACIONES DE ILUSTRACIONES DE PELIGROS DE SEGURIDAD IMPORTANTES EN LA PODADORA.



El usuario debe leer y comprender el manual de instrucciones.



Para evitar el riesgo de lesiones graves, no corte de arriba a abajo las pendientes. Siempre corte a través de las pendientes.



Para evitar el riesgo de lesiones a los transeúntes, mantenga a todas las personas y mascotas a una distancia segura de la podadora mientras esté en funcionamiento.



Las cuchillas giratorias pueden causar lesiones serias. Mantenga las manos y los pies alejados de la plataforma de poda y la abertura de descarga en todo momento. Siempre asegúrese que la cuchilla se haya

detenido. Espere a que la cuchilla deje de girar (aproximadamente 3 segundos) después de liberar los interruptores ON/OFF **3**. Desconecte la podadora antes de retirar o reemplazar el recogedor de césped, limpiar, dar servicio, transportar o levantar la podadora.



Los objetos golpeados por la cuchilla de la podadora pueden causar lesiones graves. Manténgase detrás de la manija cuando el motor esté funcionando. Siempre asegúrese que las personas y las mascotas estén lejos

de la descarga de la podadora durante el funcionamiento. Siempre revise el área de siega antes de cortar y quite los objetos que puedan ser arrojados por la cuchilla. Libere los interruptores ON/OFF **3** para apagar la podadora y espere que la cuchilla deje de girar (aproximadamente 3 segundos) antes de cruzar aceras, caminos, patio y caminos de grava.



ADVERTENCIA: Advertencias e instrucciones de seguridad importantes



ADVERTENCIA: Cuando use podadoras eléctricas, siempre se deben seguir las precauciones de seguridad básica para reducir el riesgo de incendio, descarga eléctrica, y lesiones personales, incluyendo las siguientes.

LEA TODAS LAS INSTRUCCIONES

Para reducir el riesgo de lesiones:

- Antes de cualquier uso, asegúrese que cualquiera que use esta herramienta lea y entienda todas las instrucciones de seguridad y otra información contenida en este manual.

- Conserve estas instrucciones y revíselas con frecuencia antes del uso y al instruir a otros.



PELIGRO: PRÁCTICAS DE SEGURIDAD IMPORTANTES PARA PODADORAS DE EMPUJE

Esta podadora es capaz de amputar manos y pies y arrojar objetos. La falla en observar las siguientes instrucciones de seguridad puede provocar lesiones graves o la muerte.

OPERACIÓN GENERAL

- Lea, entienda y siga todas las instrucciones de la podadora y el manual de instrucciones antes de comenzar.
- No coloque las manos o los pies cerca o debajo de la podadora. Manténgase alejado de la abertura de descarga en todo momento.
- Sólo permita que adultos responsables, que estén familiarizados con las instrucciones, operen esta podadora.
- Despeje el área donde se utilizará la podadora de objetos tales como piedras, palos, cables, juguetes, etc., que podrían ser arrojados por la cuchilla. Los objetos golpeados por la cuchilla pueden causar lesiones graves a las personas. Manténgase detrás de la manija cuando el motor esté funcionando.
- Asegúrese que el área que rodea la podadora esté libre de transeúntes antes de operar. Todos los transeúntes y mascotas deben mantenerse a una distancia segura. Detenga la podadora si alguien entra en el área que rodea la podadora.
- No opere la podadora descalzo o con sandalias. Siempre use calzado suficiente.
- No jale la podadora hacia atrás a menos que sea absolutamente necesario. Siempre mire hacia abajo y hacia atrás antes y mientras se mueve hacia atrás.
- Nunca dirija el material descargado hacia nadie. Evite descargar material contra una pared u obstrucción. El material puede rebotar hacia el operador. Libere los interruptores ON/OFF **3** para apagar la podadora y detener la cuchilla cuando cruce superficies de grava.
- No opere la podadora sin que todo el recogedor de césped, protector de descarga, protector trasero u otros dispositivos de protección de seguridad estén en su lugar y funcionando. Controle periódicamente todas las protecciones y dispositivos de protección de seguridad para asegurarse que estén en buen estado de operación y funcionen correctamente y cumplan con su función prevista. Reemplace un seguro, protección u otro dispositivo de seguridad dañado antes de seguir usándolo.
- Nunca deje la podadora en operación sin supervisión.
- Siempre libere los interruptores ON/OFF **3** para detener el motor y espere hasta que la cuchilla se detenga por completo y desconecte la podadora antes de limpiar la podadora, retirar el recogedor de césped, desbloquear la protección de descarga, cuando deje la podadora,

o antes de realizar cualquier ajuste, reparación o inspección.

- Opere la podadora sólo en la luz del día o con buena luz artificial cuando los objetos en la trayectoria de la cuchilla sean claramente visibles desde el área de operación de la podadora.
- No opere la podadora bajo la influencia de alcohol o drogas, o cuando esté cansado o enfermo. Siempre manténgase alerta, observe lo que está haciendo y use el sentido común.
- Evite ambientes peligrosos. Nunca opere la podadora en césped húmedo o mojado, nunca use la podadora bajo la lluvia. Siempre esté seguro de su posición; camine; nunca corra.
- Desconecte el sistema de accionamiento, si está equipado, antes de arrancar el motor.
- Si la podadora comienza a vibrar anormalmente, libere los interruptores ON/OFF **3**, espere a que la cuchilla se detenga y desconecte la podadora, después verifique la causa de inmediato. La vibración generalmente es una advertencia de problemas.
- Siempre use protección para los ojos y respiratoria adecuada cuando opere la podadora.
- El uso de cualquier accesorio o conexión no recomendado para su uso con esta podadora podría ser peligroso. Sólo use accesorios aprobados por BLACK+DECKER.
- Nunca se estire demasiado mientras opera la podadora. Siempre asegúrese de mantener una buena posición de pies y un equilibrio adecuados en todo momento mientras opera la podadora.

OPERACIÓN EN PENDIENTE

Las pendientes son un factor importante relacionado con los accidentes por resbalones y caídas, que pueden provocar lesiones graves. La operación en todas las pendientes requiere precaución adicional. Si se siente incómodo en una pendiente, no la pade.

- Poda a través de la pendiente; nunca de arriba a abajo. Tenga extrema precaución cuando cambie de dirección en pendientes.
- Esté atento a los agujeros, surcos, baches, rocas u otros objetos ocultos. El terreno irregular podría causar un accidente de resbalón y caída. La hierba alta puede esconder obstáculos.
- No pade sobre hierba mojada o pendientes excesivamente empinadas. Un equilibrio descuidado podría causar un accidente de resbalón y caída.
- No corte cerca de bajantes, zanjas o terraplenes. Podría perder su equilibrio o equilibrio.

NIÑOS

Pueden ocurrir accidentes trágicos si el operador no está alerta a la presencia de niños. Los niños a menudo se sienten atraídos por la podadora y la actividad de poda. Nunca asuma que los niños permanecerán donde los vio por última vez.

- Mantenga a los niños fuera del área de poda y bajo la atenta supervisión de un adulto responsable que no sea el operador.
- Esté alerta y apague la podadora si un niño ingresa al área.
- Nunca permita que los niños operen la podadora.
- Tenga especial cuidado cuando se acerque a rincones, arbustos, árboles u otros objetos que puedan bloquear su visión de un niño.

SERVICIO GENERAL

- Nunca opere la podadora en un área cerrada.
- Mantenga todos los pernos y tuercas apretados para asegurarse que el equipo esté en condiciones de operación segura.
- Nunca altere los dispositivos de seguridad. Verifique su operación correcta regularmente.
- Mantenga la podadora libre de hierba, hojas u otros desechos acumulados. Deje que la podadora se enfríe antes de guardarla.
- Si golpea un objeto extraño, libere los interruptores ON/OFF **3** para apagar la podadora, espere a que la cuchilla se detenga y desconecte la podadora, y luego revise la podadora. Repare, cualquier daño, antes de arrancar y operar la podadora.
- Nunca realice ningún ajuste o reparación con el motor en funcionamiento o con la podadora conectada.
- Desconecte siempre la podadora antes de ajustar, limpiar, reparar, revisar, transportar, almacenar o dejar la podadora.
- Revise los componentes del recogedor de césped y el protector de descarga con frecuencia y, cuando sea necesario, reemplácelos únicamente con las partes recomendadas por BLACK+DECKER.
- Las cuchillas de la cortadora son filosas. Envuelva la cuchilla o use guantes, y tenga especial cuidado al realizar el mantenimiento.
- Mantenga o reemplace las etiquetas de seguridad e instrucciones, según sea necesario.

PARA TODAS LAS PODADORAS CON DOBLE AISLAMIENTO

- Partes de reemplazo. Al dar servicio, utilice únicamente partes de repuesto idénticas.
- Conexiones de aparato polarizado


Para reducir el riesgo de descarga eléctrica, este aparato tiene un enchufe polarizado (una clavija es más ancha que la otra) y requerirá el uso de un cable de extensión polarizado. El enchufe del aparato se ajustará a un cable de extensión polarizado de una sola manera. Si el enchufe no se conecta completamente al cable de extensión, invierta el enchufe. Si el enchufe todavía no se inserta, obtenga un cable de extensión polarizado correcto. Un cable de extensión polarizado requerirá el uso de un tomacorriente polarizado. Este enchufe se ajustará a un tomacorriente de pared polarizado sólo de una forma. Si el enchufe no se conecta al tomacorriente de pared, invierta el enchufe. Si el

ESPAÑOL

enchufe todavía no se conecta, póngase en contacto con un electricista calificado para instalar el tomacorriente de pared adecuado. No cambie el enchufe del equipo, el receptáculo del cable de extensión, o el enchufe del cable de extensión de ninguna manera.

ADVERTENCIA: ADVERTENCIAS GENERALES DE SEGURIDAD E INSTRUCCIONES PARA TODAS LAS PODADORAS

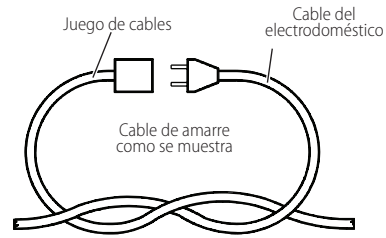
- ESTA HERRAMIENTA PUEDE SER PELIGROSA. Siga todas las advertencias e instrucciones de seguridad de este manual. El operador es responsable de seguir las advertencias e instrucciones en este manual y en la unidad. Restrinja el uso de esta podadora a las personas que lean, entiendan y sigan las advertencias e instrucciones de este manual y de la unidad.
- Evite ambientes peligrosos – no use podadoras en ubicaciones mojadas o húmedas.
- No use en lluvia.
- Mantenga a los niños alejados – Todos los visitantes deben mantener una distancia segura del área de trabajo.
- Use vestimenta apropiada – No use ropa holgada o joyería. Pueden quedar atrapados en las partes móviles. Se recomienda el uso de guantes de hule y calzado cuando trabaje en exteriores.
- Use Gafas de seguridad – También use una careta o máscara de polvo si la operación produce polvo.
- Utilice el aparato correcto - No utilice la podadora para ningún trabajo excepto para el que está diseñada.
- Se debe proporcionar protección de Interruptor de circuito de falla a tierra [Ground Fault Circuit Interrupter (GFCI)] en los circuitos o tomacorrientes que se van a usar para la podadora. Los receptáculos están disponibles con protección GFCI integrada y pueden ser utilizados para esta medida de seguridad.

 **ADVERTENCIA:** Para prevenir descargas eléctricas, utilice sólo una extensión adecuada para uso en exteriores, tal como SW, SOW, STW, STOW, SJW, SJOW, SJTW. o SJTOW.

- Uso de cables de extensión

Asegúrese que el cable de extensión esté en buenas condiciones antes de usarlo. Utilice siempre los cables de extensión de tamaño adecuado con la herramienta, es decir, el tamaño de cable adecuado para varias longitudes de cable y lo suficientemente pesado como para llevar la corriente que extraerá la herramienta. El uso de un cable de tamaño inferior causará una caída en el voltaje en línea que resulta en una pérdida de energía y sobrecalentamiento. Vea la siguiente tabla respecto a los tamaños de cable adecuado. Para reducir la probabilidad de desconexión del cable de la podadora del juego de cable durante la operación:

- i) Realice un nudo como se muestra, o



- ii) Use una de las correas o conectores de retención de enchufe-receptáculo descritos en este manual.

- No abuse del cable – Nunca jale la podadora con un cable ni lo jale para desconectarlo del tomacorriente. Mantenga el cable alejado del calor, aceite y bordes filosos.
- No fuerce la podadora – Hará el trabajo mejor y con más seguridad en la velocidad para la que está diseñada.
- No se estire en exceso – Mantenga la pisada y equilibrio adecuados en todo momento.
- Permanezca alerta - Observe lo que está haciendo. Utilice el sentido común. No opere la podadora de césped cuando esté cansado.
- Desconecte la podadora - Desconecte la podadora del suministro de energía cuando no esté en uso, antes de realizar el mantenimiento, al cambiar accesorios tales como cuchillas, y similares.
- Guarde la podadora sin uso en interiores – Cuando no se usan, los aparatos deben almacenarse en un lugar seco y cerrado, fuera del alcance de los niños.
- Mantenga la podadora con cuidado – Mantenga los bordes de corte afilados y limpios para un mejor desempeño y más seguro.
- Siga las instrucciones para lubricar y cambiar los accesorios.
- Revise el cable de la podadora periódicamente y, si está dañado, pida que lo reparen en instalaciones de servicio autorizadas. Revise los cables de extensión periódicamente y reemplácelos si están dañados. Mantenga las manijas secas, limpias y libres de aceite y grasa.
- Mantenga las protecciones en su lugar y en buen estado de operación.
- Mantenga las cuchillas afiladas.
- Mantenga las manos y los pies lejos del área de corte.
- Los objetos golpeados por la cuchilla de la podadora pueden causar lesiones graves a las personas. El césped

siempre debe revisarse cuidadosamente y despejarse de todos los objetos antes de cada corte.

- Si la podadora golpea un objeto extraño, siga estos pasos:
 - Detenga la podadora. Libere el interruptor
 - Desconecte el cable de energía.
 - Revise respecto a daño.
 - Repare cualquier daño antes de reiniciar y operar la podadora.
 - Use cuchillas de repuesto idénticas solamente.

CONSERVE ESTAS INSTRUCCIONES



PELIGRO: ADVERTENCIAS ADICIONALES PARA PODADORAS

- REVISE RESPECTO A PARTES DAÑADAS. Antes de utilizar la podadora, se debe revisar cuidadosamente un protector u otra parte que esté dañada para determinar si funcionará correctamente y cumplirá su función. Revise la alineación de las partes móviles, la unión de las partes móviles, la ruptura de partes, el montaje y cualquier otra condición que pueda afectar su operación. Una protección u otra parte que esté dañada se debe reparar o reemplazar apropiadamente por un centro de servicio autorizado, a menos que se indique lo contrario en otra parte de este manual.

REPARACIONES Y SERVICIO. Las reparaciones, el mantenimiento y los ajustes no especificados en este manual deben ser realizados por los centros de servicio autorizados de Black+Decker u otras organizaciones de servicio calificadas, siempre utilizando partes de repuesto idénticas

Información de seguridad adicional



ADVERTENCIA: SIEMPRE use gafas de seguridad. Las gafas de uso diario NO son gafas de seguridad. También use una careta o máscara de polvo si la operación de corte produce polvo. SIEMPRE USE EQUIPO DE SEGURIDAD CERTIFICADO:

- Protección para los ojos ANSI Z87.1 (CAN/CSA Z94.3),
- Protección auditiva ANSI S12.6 (S3.19),
- Protección respiratoria NIOSH/OSHA/MSHA.



ADVERTENCIA: Algún polvo producido por este producto contiene químicos conocidos por el Estado de California que causan cáncer, defectos de nacimiento u otros daños reproductivos. Algunos ejemplos de estos químicos son:

- compuestos en fertilizantes
- compuestos en insecticidas, herbicidas y pesticidas
- arsénico y cromo a partir de madera tratada químicamente

Para reducir su exposición a estos químicos, use equipo de seguridad aprobado, tal como máscaras de polvo que estén diseñadas específicamente para filtrar partículas microscópicas.

- **Los hilos del alargador deben ser de un calibre apropiado (AWG o American Wire Gauge) para su seguridad.** Mientras menor sea el calibre del hilo, mayor la capacidad del cable. Es decir, un hilo calibre 16 tiene mayor capacidad que uno de 18. Un cable de un calibre insuficiente causará una caída en la tensión de la línea dando por resultado una pérdida de energía y sobrecalentamiento. Cuando se utilice más de un alargador para completar el largo total, asegúrese que los hilos de cada alargador tengan el calibre mínimo. La tabla siguiente muestra el tamaño correcto a utilizar, dependiendo de la longitud del cable y del amperaje nominal de la placa de identificación. Si tiene dudas sobre cuál calibre usar, use un calibre mayor. Cuanto menor sea el número del calibre, más resistente será el cable.

Calibre mínimo de conjuntos de cables

Voltios		Longitud total del cable en pies (metros)			
120 V		25 (7,6)	50 (15,2)	100 (30,5)	150 (45,7)
240 V		50 (15,2)	100 (30,5)	200 (61,0)	300 (91,4)
Amperaje nominal	Más de	Más de	AWG		
			0	6	14
0	6	18	16	16	14
6	10	18	16	14	12
10	12	16	16	14	12
12	16	14	12	Not Recommended	

La etiqueta de su herramienta puede incluir los siguientes símbolos. A continuación se indican los símbolos y sus definiciones:

- V voltios
- Hz hertz
- min minutos
- or DC..... direct current
- Ⓧ Construcción de Clase I (tierra)
- ... /min..... por minuto
- BPM golpes por minuto
- IPM impactos por minuto
- RPM revoluciones por minuto
- sfpm pies de superficie por minuto
- SPM pasadas por minuto
- A amperios
- W vatios
- ~ or AC corriente alterna
- ⚡ or AC/DC corriente alterna o directa
- Ⓜ Construcción de Clase II (doble aislamiento)
- n₀ velocidad sin carga
- n velocidad nominal
- Ⓧ terminal de conexión a tierra
- ⚠ símbolo de advertencia de seguridad
- ⚠ radiación visible
- Ⓜ protección respiratoria
- Ⓜ protección ocular
- Ⓜ protección auditiva
- 📖 lea toda la documentación

GUARDE ESTAS INSTRUCCIONES PARA VOLVER A CONSULTAR EN EL FUTURO

COMPONENTES (Fig. A)

⚠️ ADVERTENCIA: Nunca modifique la herramienta eléctrica, ni tampoco ninguna de sus piezas. Podría producir lesiones corporales o daños.

Consulte la Figura A al principio de este manual para obtener una lista completa de los componentes.

Uso Debido

Esta podadora ha sido diseñada para aplicaciones residenciales de poda de césped.

NO utilice la herramienta en condiciones de humedad o en presencia de líquidos o gases inflamables.

NO permita que los niños toquen la herramienta. Si el operador no tiene experiencia operando esta herramienta, su uso deberá ser supervisado.

MONTAJE Y AJUSTES

⚠️ ADVERTENCIA: Para reducir el riesgo de lesiones personales graves, apague la herramienta y desconéctela de la fuente de alimentación antes de realizar ajustes o de retirar/installar dispositivos o accesorios. Un arranque accidental podría causar lesiones.

Vea la Fig. A para familiarizarse con la ubicación de varios controles y ajustes. Conserve este manual para referencia futura.

⚠️ ADVERTENCIA: Antes del ensamble, asegúrese que los interruptores ON/OFF estén liberados.

Ensamble del recogedor de césped (Fig. B, B1, B2, B3)

⚠️ ADVERTENCIA: Bajo uso normal, el ensamble de la bolsa de recolección está sujeto a deterioro y desgaste y, por lo tanto, debe revisarse frecuentemente para su reemplazo. Se debe verificar que el ensamble de reemplazo cumpla con las recomendaciones de BLACK+DECKER.

1. Antes de comenzar a ensamblar la bolsa de césped en el marco, verifique que la bolsa de césped y el marco sean similares a la Fig. B.
2. Deslice la bolsa de hierba sobre el marco como se muestra en la Fig. B1.
3. Ensamble los ganchos superiores al marco como se muestra en la Fig. B2, luego ensamble los dos ganchos laterales y el gancho inferior al final.
4. El recogedor de césped completamente ensamblado se muestra en la Fig. B3.

Fig. B

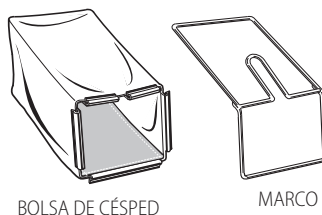


Fig. B1

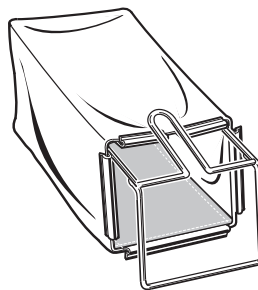


Fig. B2

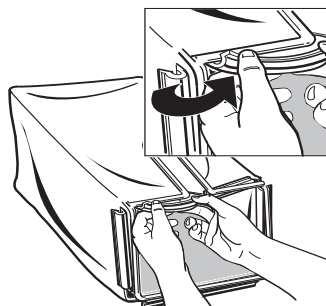
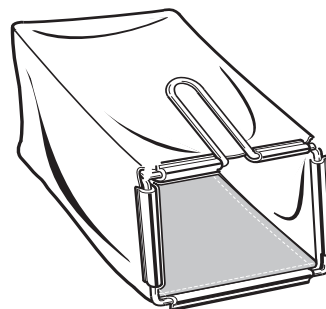


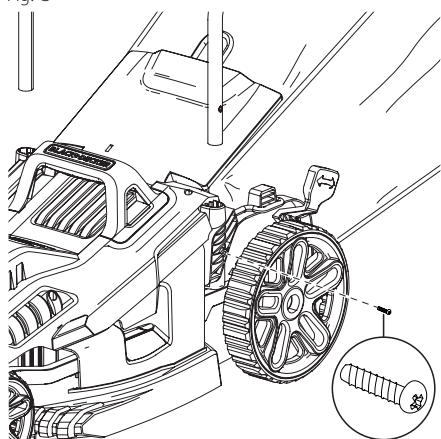
Fig. B3



Montaje de manija inferior (Fig. C)

1. Inserte los extremos de la manija inferior en los orificios correspondientes de la podadora.
2. Presione la palanca hacia abajo tanto como sea posible.
3. Asegure la manija con los tornillos.

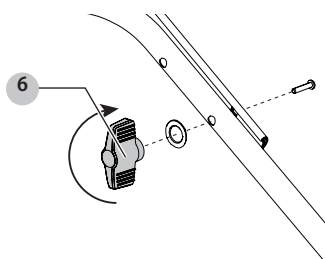
Fig. C



Ensamble de la manija superior (Fig. D)

Coloque la parte superior de la manija en la manija inferior usando las perillas de la manija **6**, arandelas y tornillos como se muestra.

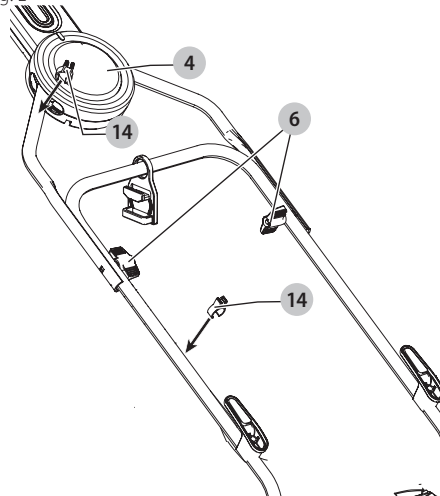
Fig. D



Aseguramiento del cable del motor (Fig. E)

1. El cable del motor se debe fijar con las restricciones del cable.
2. Conecte el sujetador de retención **14** alrededor del cable y la manija inferior unas 6 pulgadas (152.4 mm) por debajo de la perilla de la manija **6**.
3. Conecte un segundo sujetador de retención **14** alrededor del cable y la manija superior unas 4 pulgadas (152.4 mm) por debajo del control de pivote **4**.

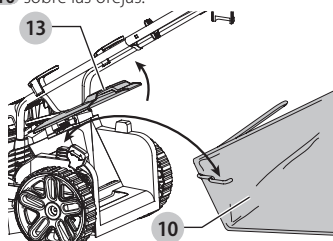
Fig. E



Colocación del recogedor de césped (Fig. F)

1. Levante la aleta trasera **13** y coloque el recogedor de césped **10** sobre las orejas.

Fig. F



OPERACIÓN

! **ADVERTENCIA:** Para reducir el riesgo de lesiones personales graves, apague la herramienta y desconéctela de la fuente de alimentación antes de realizar ajustes o de retirar/instalar dispositivos o accesorios. Un arranque accidental podría causar lesiones.

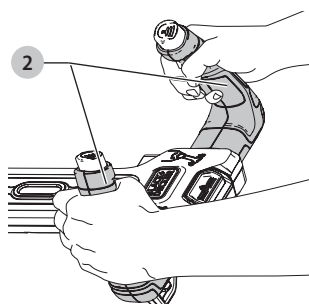
Posición adecuada de las manos (Fig. G)

! **ADVERTENCIA:** Para reducir el riesgo de lesión personal grave, tenga **SIEMPRE** las manos en una posición adecuada como se muestra.

! **ADVERTENCIA:** Para reducir el riesgo de lesión personal grave, sujete **SIEMPRE** bien en caso de que haya una reacción repentina.

La posición de mano adecuada requiere las dos manos en las manijas de sujeción de comodidad **2**.

Fig. G



LEA ESTE MANUAL DE INSTRUCCIONES Y REGLAS DE SEGURIDAD ANTES DE OPERAR SU PODADORA.

Vea la Fig. A para familiarizarse con la ubicación de varios controles y ajustes. Conserve este manual para referencia futura.

ADVERTENCIA: LAS CUCHILLAS GIRATORIAS PUEDEN CAUSAR LESIONES SERIAS. PARA PREVENIR LESIONES GRAVES, DESCONECTE LA PODADORA CUANDO ESTÉ DESATENDIDA, LA LIMPIE, DÉ SERVICIO, LA TRANSPORTE, LEVANTE O ALMACENE LA PODADORA.

ADVERTENCIA: Cuchilla móvil filosa. No opere la podadora si la puerta trasera no está cerrada bajo la tensión del resorte, ya que podría ocasionar lesiones graves. Lleve su podadora al centro de servicio más cercano para repararla.

ADVERTENCIA: Cuchilla móvil filosa. Nunca opere la podadora a menos que los ganchos del colgador en el recogedor de césped estén asentados correctamente en la podadora y la puerta de descarga trasera descansen firmemente contra la parte superior del recogedor de césped, ya que podría ocasionar lesiones graves.

ADVERTENCIA: No opere la podadora sin el recogedor de césped **10** conectado.

ADVERTENCIA: Deje que el aparato funcione a su propio ritmo. No sobrecargue.

Ajuste de la altura de corte (Fig. H)

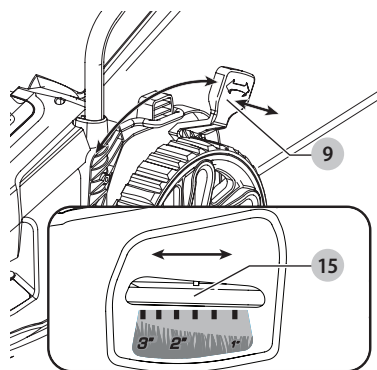
La altura de corte se ajusta mediante el mecanismo de ajuste de altura central, hay 6 posiciones para elegir.

Para establecer la altura de corte

1. Jale la palanca de ajuste de altura **9** alejándola del cuerpo de la unidad.
2. Mueva la palanca hacia la parte trasera del aparato para bajar la altura de corte.
3. Mueva la palanca hacia la parte delantera del aparato para subir la altura de corte.
4. Empuje la palanca de ajuste de altura hacia una de las 6 ubicaciones de altura.

NOTA: La altura de corte se puede ver en la altura del indicador de corte **15** en el costado de la unidad.

Fig. H



Encendido y apagado (Fig. I)

PELIGRO: CUCHILLA MÓVIL FILOSA. NUNCA INTENTE ANULAR EL FUNCIONAMIENTO DEL INTERRUPTOR, YA QUE PUEDE PRODUCIRSE UNA LESIÓN GRAVE.

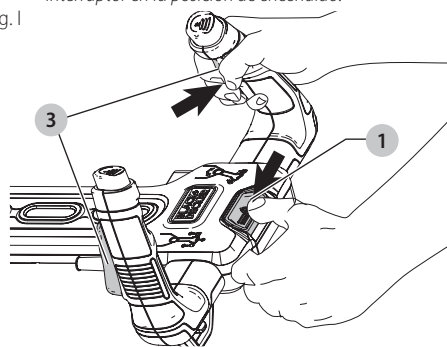
Encendido

1. Presione y sostenga el interruptor de seguridad **1**.
- NOTA:** No puede jalar ambos interruptores ON/OFF cuando el interruptor de seguridad se está sosteniendo
2. Jale el interruptor ON/OFF izquierdo o derecho **3** hacia la manija y manténgalo presionado.
 3. Libere el interruptor de seguridad **1**.
 4. La podadora funcionará con el interruptor ON/OFF **3** accionado.

Apagado

1. Libere ambos interruptores ON/OFF **3**.
- ADVERTENCIA:** Nunca intente bloquear un interruptor en la posición de encendido.

Fig. I



Poda (Fig. J, K)

NOTA: SIEMPRE REVISE EL ÁREA DONDE SE DEBE UTILIZAR LA PODADORA Y RETIRE TODAS LAS PIEDRAS, PALOS, ALAMBRES, Y OTROS ESCOMBROS QUE PUEDAN SER ARROJADOS POR LA CUCHILLA GIRATORIA.

Recomendamos utilizar su podadora como se describe en esta sección para lograr resultados óptimos y reducir el riesgo de cortar el cable principal.

1. Enrolle el cable de extensión a través del sistema de administración de cables **7** como se muestra

(Fig. J). Asegúrese de dejar aproximadamente 3 pies (100 cm) de cable entre el interruptor de seguridad 1 y el sistema de administración de cables.

2. Asegúrese que el sistema de administración de cables pueda deslizarse libremente de un lado a otro.
3. Coloque la mayor parte del cable de extensión sobre el césped, cerca del punto de inicio (posición 1 en la Fig. K).
4. Encienda la podadora como se describe anteriormente.
5. Continúe como se muestra en la Fig. K.
6. Mueva de la posición 1 a la posición 2.
7. Gire a la derecha, pisando el cable de extensión y avance hacia la posición 3. El sistema de administración de cables se deslizará de un lado a otro, asegurando que el cable de extensión se mantenga alejado de la cuchilla de corte.
8. Gire a la izquierda, pisando el cable de extensión y avance hacia la posición 4. El cable de extensión se deslizará de un lado de la manija al otro, asegurando que el cable de extensión se mantenga alejado de la cuchilla de corte.
9. Repita el procedimiento anterior según sea necesario.

ADVERTENCIA: No trabaje hacia el cable como se muestra en la Fig. K.

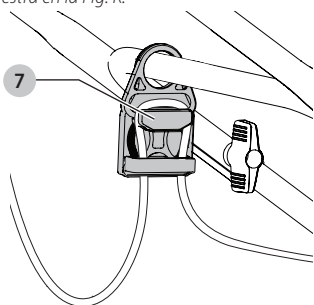


Fig. J

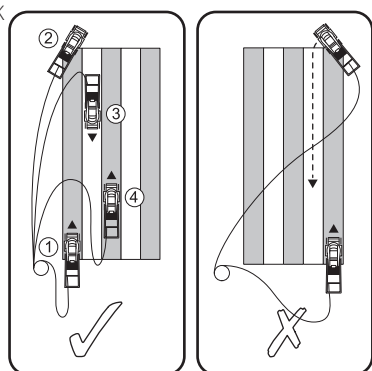


Fig. K

Control de pivote (Fig. L)

Esta podadora está equipada con Control de pivote. Esta función permite la maniobrabilidad y el giro en espacios estrechos.

1. Para activar la acción de pivote del Control de pivote 4, presione uno de los botones de control de pivote 5 y

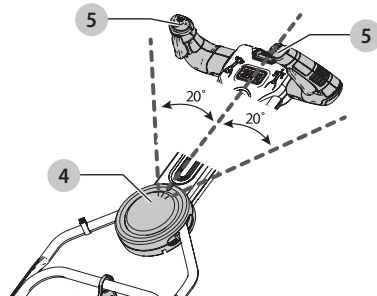
mueva las manijas de agarre de comodidad 2 hacia la izquierda o la derecha a 20 grados.

2. Las manijas se bloquearán automáticamente en la posición de operación normal cuando las manijas estén colocadas en cero grados.



ATENCIÓN: Asegúrese que la manija de Control de pivote esté asegurada en su lugar antes de usar la podadora.

Fig. L



Vaciado de recogedor de césped

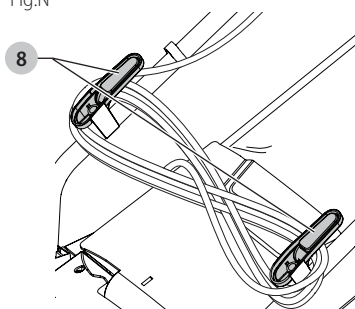
1. Libere los interruptores ON/OFF 3 y desconecte la podadora.
2. Retire el recogedor de césped 10.
3. Vacíe el contenido.

Almacenamiento de cable (Fig. N)

Los portacables 8 proporcionan una forma segura y conveniente de guardar el cable de extensión cuando no se usa.

1. Envuelva el cable de extensión alrededor del portacable en un patrón de ocho.

Fig. N



Transporte de la podadora (Fig. A)



ADVERTENCIA: La cuchilla giratoria puede causar lesiones serias. Libere ambos interruptores ON/OFF (3) para apagar la podadora y desconecte la podadora antes de levantar, transportar o almacenar la podadora. Almacene en un lugar seco.

- La podadora puede transportarse utilizando las prácticas manijas de transporte 12.

Desinstalación de la cuchilla (Fig. O, P)



ADVERTENCIA: Asegúrese que la cuchilla se haya detenido por completo y desconecte la podadora de la fuente de energía.

ESPAÑOL

⚠ ADVERTENCIA: Sólo use la cuchilla de reemplazo especificada: BEMW472ES y BEMW482ES libere los interruptores ON/OFF **3** para apagar la podadora, ESPERE QUE SE DETENGA LA CUCHILLA, Y DESCONECTE LA PODADORA.

⚠ ATENCIÓN: Cuando se retire, instale o afile la cuchilla, use guantes y protección adecuada para los ojos. Tenga cuidado con los bordes afilados en la cuchilla.

1. Corte una pieza de madera de 2x4 **17** [alrededor de 1 pie de largo (305 mm)] para evitar que la cuchilla gire mientras retira la tuerca de la brida.
2. Coloque el aparato sobre su costado.

NOTA: Use guantes y protección adecuada para los ojos. Tenga cuidado con los bordes afilados de la cuchilla.

3. Coloque la pieza de madera **17** para evitar que la hoja gire como se muestra en la Fig. O.
4. Use una llave de 9/18 pulgadas **16** para aflojar y retirar el perno de la cuchilla **19** girándolo en sentido contrario a las manecillas del reloj.
5. Saque la cuchilla **20**, el aislador de la cuchilla **21**, como se muestra en la Figura P. Revise todas las piezas respecto a daños y reemplácelas si es necesario.

Fig. O

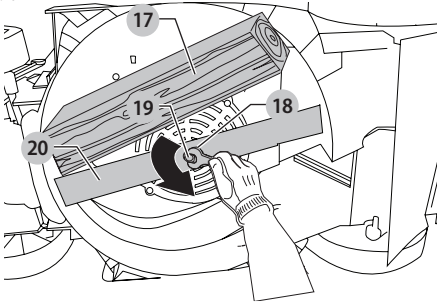
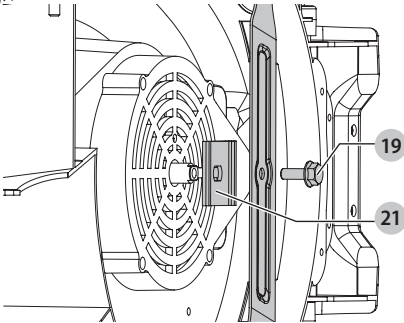


Fig. P

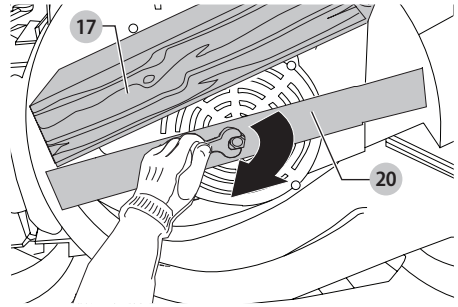


Instalación de la cuchilla (Fig. P, Q)

1. Coloque el aislador de la cuchilla **21** con los lados elevados hacia la cuchilla sobre el eje del perno, asegurándose que se alinee con la forma de doble D en el eje del perno.
2. Coloque la cuchilla entre los lados elevados del aislador **21**, asegurándose que las letras de la cuchilla estén al lado contrario del aislador.

3. Atornille el perno de la cuchilla en el eje del perno y apriete el perno de la cuchilla tan firme como sea posible con la mano.
4. Coloque la pieza de madera **17** para evitar que la hoja gire como se muestra en la Fig. O.
5. Use una llave de 9/16 pulgadas para apretar firmemente el perno de la cuchilla girando la llave en el sentido de las manecillas del reloj.

Fig. Q



Afilado de cuchillas

MANTENGA LA HOJA AFILADA PARA OBTENER EL MEJOR RENDIMIENTO DE LA PODADORA. UNA CUCHILLA SIN FILO NO CORTA LA HIERBA DE FORMA LIMPIA O ADECUADA.

USE LA PROTECCIÓN ADECUADA PARA LOS OJOS MIENTRAS RETIRA, AFILA, E INSTALA LA CUCHILLA. ASEGÚRESE QUE LA PODADORA ESTÉ DESCONECTADA.

Afilar la cuchilla dos veces durante la temporada de poda suele ser suficiente en circunstancias normales. La arena hace que la cuchilla pierda filo rápidamente. Si su césped tiene tierra arenosa, es posible que se requiera un afilado más frecuente.

REEMPLACE INMEDIATAMENTE UNA CUCHILLA DOBLADA O DAÑADA.

Al afilar la cuchilla:

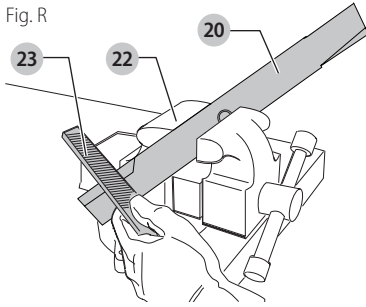
1. Asegúrese que la cuchilla permanezca balanceada.
2. Afile la cuchilla en el ángulo de corte original.
3. Afile los bordes de corte en ambos extremos de la cuchilla, eliminando cantidades iguales de material de ambos extremos.

Para afilar la cuchilla en una prensa de banco (Fig. R):

1. Asegúrese que las manijas de agarre de comodidad **2** estén liberadas, que la cuchilla se haya detenido y que la podadora esté desconectada.
2. Retire la cuchilla de la podadora. Vea las instrucciones para la desinstalación e instalación de cuchilla.
3. Asegure la cuchilla **20** en una prensa **22**.
4. Use guantes y protección adecuada para los ojos y tenga cuidado de no cortarse.
5. Con cuidado, limpie los bordes de corte de la cuchilla con una lima de dientes finos **23** o piedra para afilar, manteniendo el ángulo del borde de corte original.
6. Verifique el balance de la cuchilla. Vea las instrucciones para **balanceo de la cuchilla**.

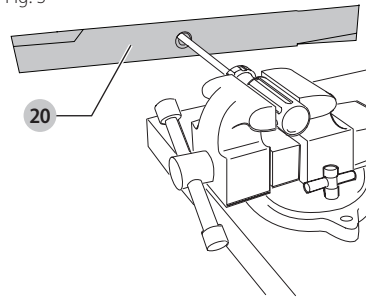
7. Vuelva a colocar la cuchilla en la podadora y apriete firmemente.

Fig. R



Balaceo de la cuchilla (Fig. S)

1. Verifique el balance de la cuchilla **20** colocando el orificio central en la cuchilla sobre un clavo o destornillador redondo, sujeto horizontalmente en una prensa.
2. Si cualquiera de los extremos de la cuchilla gira hacia abajo, lime ese extremo. La cuchilla está correctamente equilibrada cuando ninguno de los extremos cae.



MANTENIMIENTO



ADVERTENCIA: Para reducir el riesgo de lesiones personales graves, apague la herramienta y desconéctela de la fuente de alimentación antes de realizar ajustes o de retirar/instalar dispositivos o accesorios. Un arranque accidental podría causar lesiones.

Limpieza



ADVERTENCIA: Sople la suciedad y el polvo de todos los conductos de ventilación con aire seco, al menos una vez por semana. Para reducir el riesgo de lesiones, utilice siempre protección para los ojos aprobada ANSI Z87.1 al realizar esta tarea.



ADVERTENCIA: Nunca utilice solventes ni otros químicos abrasivos para limpiar las piezas no metálicas de la herramienta. Estos productos químicos pueden debilitar los materiales plásticos utilizados en estas piezas. Utilice un paño humedecido sólo con agua y jabón neutro. Nunca permita que penetre líquido dentro de la herramienta ni sumerja ninguna de las piezas en un líquido.

Prevención de corrosión (Fig. A)

Los fertilizantes y otros productos químicos para el jardín contienen agentes que aceleran en gran medida la corrosión de los metales. Si corta en áreas donde se han usado fertilizantes o productos químicos, la podadora se debe limpiar inmediatamente después de la siguiente manera:

1. Para apagar la podadora, libere el interruptor ON/OFF **3** y desconecte la podadora.
2. Limpie todas las partes expuestas con un paño húmedo.



ATENCIÓN: NO VIERTA NI ROCÍE AGUA SOBRE LA PODADORA PARA INTENTAR LIMPIARLA.

No guarde la herramienta en o junto a fertilizantes o productos químicos. Tal almacenamiento puede causar una corrosión rápida.

Posición de almacenamiento

Para un almacenamiento más compacto, la podadora se puede almacenar en posición vertical, con la manija doblada.

Afloje las dos perillas de la manija **6** y baje la sección superior de la manija. Tenga cuidado de no pellizcar el cable de energía. Apriete las dos perillas inferiores.



ATENCIÓN: Punto de atrapamiento. Para evitar que queden atrapados, mantenga los dedos alejados del área entre las manijas cuando las baje.

Consejos para uso óptimo

- Si el césped es más largo de aproximadamente 4 pulgadas (10 cm), haga dos cortes para obtener un mejor acabado. Primero corte a la altura máxima de corte, luego use una altura de corte baja o mediana.
- Para lograr resultados óptimos, sólo corte el pasto seco.

Sobrecarga de la podadora

Para evitar daños debido a condiciones de sobrecarga, no intente cortar demasiada hierba a la vez. Disminuya la velocidad de corte o aumente la altura de corte.

CUMPLE CON LOS REQUISITOS DE SEGURIDAD DE CPSC

Las podadoras BLACK+DECKER cumplen con las normas de seguridad del American National Standards Institute y la Comisión de Seguridad de los Productos del Consumidor de EUA. La cuchilla gira cuando el motor está en operación.

Accesorios



ADVERTENCIA: Debido a que no se han probado con este producto otros accesorios que no sean los que ofrece BLACK+DECKER, el uso de dichos accesorios con esta herramienta podría ser peligroso. Para reducir el riesgo de lesiones, con este producto deben usarse sólo los accesorios recomendados por BLACK+DECKER.

Los accesorios que se recomiendan para utilizar con la herramienta están disponibles a un costo adicional en su distribuidor local o en un centro de mantenimiento autorizado. Si necesita ayuda para localizar algún accesorio, póngase en contacto con BLACK+DECKER Industrial Tool Co., 701 East Joppa Road, Towson, MD 21286, llame al 1-800-4-BLACK+DECKER (Pivot Control) o visite nuestro sitio web: www.BLACK+DECKER.com.

Reparaciones



ADVERTENCIA: Para asegurar la **SEGURIDAD** y la **CONFIABILIDAD** del producto, las reparaciones, el mantenimiento y los ajustes (inclusive la inspección y el cambio de las escobillas, cuando proceda) deben ser realizados en un centro de mantenimiento en la fábrica BLACK+DECKER u en un centro de mantenimiento autorizado BLACK+DECKER. Utilice siempre piezas de repuesto idénticas.

Para reparación y servicio de sus herramientas eléctricas, favor de dirigirse al Centro de Servicio más cercano

CULIACAN, SIN

Bldv. Emiliano Zapata 5400-1 Poniente Col. (667) 717 89 99
San Rafael

GUADALAJARA, JAL

Av. La Paz #1779 - Col. Americana Sector Juárez (33) 3825 6978

MEXICO, D.F.

Eje Central Lázaro Cárdenas No. 18 - Local D, Col. Obrera (55) 5588 9377

MERIDA, YUC

Calle 63 #459-A - Col. Centro (999) 928 5038

MONTERREY, N.L.

Av. Francisco I. Madero 831 Poniente - Col. Centro (818) 375 23 13

PUEBLA, PUE

17 Norte #205 - Col. Centro (222) 246 3714

QUERETARO, QRO

Av. San Roque 274 - Col. San Gregorio (442) 2 17 63 14

SAN LUIS POTOSI, SLP

Av. Universidad 1525 - Col. San Luis (444) 814 2383

TORREON, COAH

Bldv. Independencia, 96 Pte. - Col. Centro (871) 716 5265

VERACRUZ, VER

Prolongación Díaz Mirón #4280 - Col. Remes (229) 921 7016

VILLAHERMOSA, TAB

Constitución 516-A - Col. Centro (993) 312 5111

PARA OTRAS LOCALIDADES:

Si se encuentra en México, por favor llame al (55) 5326 7100

Si se encuentra en U.S., por favor llame al Pivot Control (1-800 4-BLACK+DECKER)

Póliza de Garantía

IDENTIFICACIÓN DEL PRODUCTO:

Sello o firma del Distribuidor.

Nombre del producto: _____

Mod./Cat.: _____

Marca: _____

Núm. de serie: _____

(Datos para ser llenados por el distribuidor)

Fecha de compra y/o entrega del producto:

Nombre y domicilio del distribuidor donde se adquirió el producto:

Este producto está garantizado por un año a partir de la fecha de entrega, contra cualquier defecto en su funcionamiento, así como en materiales y mano de obra empleados para su fabricación. Nuestra garantía incluye la reparación o reposición del producto y/o componentes sin cargo alguno para el cliente, incluyendo mano de obra, así como los gastos de transportación razonablemente erogados derivados del cumplimiento de este certificado.

Para hacer efectiva esta garantía deberá presentar su herramienta y esta póliza sellada por el establecimiento comercial donde se adquirió el producto, de no contar con ésta, bastará la factura de compra.

Excepciones

Esta garantía no será válida en los siguientes casos:

- Cuando el producto se hubiese utilizado en condiciones distintas a las normales;
- Cuando el producto no hubiese sido operado de acuerdo con el instructivo de uso que se acompaña;
- Cuando el producto hubiese sido alterado o reparado por personas distintas a las enlistadas al final de este certificado.

Anexo encontrará una relación de sucursales de servicio de fábrica, centros de servicio autorizados y franquiciados en la República Mexicana, donde podrá hacer efectiva su garantía y adquirir partes, refacciones y accesorios originales.

Registro en línea

Gracias por su compra. Registre su producto ahora para:

- **SERVICIO EN GARANTÍA:** Si completa esta tarjeta, podrá obtener un servicio en garantía más eficiente, en caso de que exista un problema con su producto.
- **CONFIRMACIÓN DE PROPIEDAD:** En caso de una pérdida que cubra el seguro, como un incendio, una inundación o un robo, el registro de propiedad servirá como comprobante de compra.
- **PARA SU SEGURIDAD:** Si registra el producto, podremos comunicarnos con usted en el caso improbable que se deba enviar una notificación de seguridad conforme a la Federal Consumer Safety Act (Ley Federal de Seguridad de Productos para el Consumidor).

Registro en línea en www.BLACK+DECKER.com/register.

GARANTÍA LIMITADA DE DOS AÑOS

Black & Decker (EUA) Inc. garantiza que este producto está libre de defectos en material o mano de obra por un periodo de dos (2) años a partir de la fecha de compra, previendo que el producto se use en un ambiente doméstico. Esta garantía limitada no cubre fallas debidas a abuso, daño accidental o cuando se hayan realizado o intentado reparaciones por cualquier otra persona diferente a BLACK+DECKER y sus Centros de Servicio Autorizados. Un producto defectuoso que cumpla con las condiciones de la garantía establecidas en el presente se reemplazará o reparará sin cargo en cualquiera de dos maneras:

La primera, que resultará en intercambios únicamente, es devolver el producto al minorista en donde se compró (previando que la tienda sea un minorista participante). Las devoluciones se deben realizar dentro del periodo de tiempo de la política de intercambios del minorista. Se puede requerir un comprobante de compra. Por favor revise con el minorista su política de devolución específica respecto a los límites de tiempo para devoluciones o intercambios. La segunda opción es llevar o enviar el producto (prepagado) a un Centro de Servicio propiedad o autorizado por BLACK+DECKER para reparación o reemplazo a opción de BLACK+DECKER. Se puede requerir un comprobante de compra. Los centros de servicio propiedad o autorizados por BLACK+DECKER se indican en línea en www.blackanddecker.com. Esta garantía no aplica a los accesorios. Esta garantía le da derechos legales específicos y puede tener otros derechos que varían de estado a estado o de una provincia a otra. Si tiene cualquier pregunta, póngase en contacto con el gerente de su Centro de Servicio BLACK+DECKER más cercano. Este producto no está diseñado para uso comercial, y de forma correspondiente, tal uso comercial de este producto

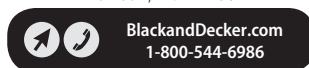
anulará la garantía. Se renuncia a todas las demás garantías, expresas o implícitas, por medio del presente. AMÉRICA LATINA: Esta garantía no aplica a productos vendidos en América Latina. Para productos vendidos en América Latina, revise la información de garantía específica contenida en el empaque, llame a la compañía local o consulte la página de Internet respecto a tal información.

AMÉRICA LATINA: Esta garantía no se aplica a los productos que se venden en América Latina. Para los productos que se venden en América Latina, debe consultar la información de la garantía específica del país que viene en el empaque, llamar a la compañía local o visitar el sitio Web a fin de obtener esa información.

REEMPLAZO GRATUITO DE LAS ETIQUETAS DE

ADVERTENCIAS: Si sus etiquetas de advertencia se vuelven ilegibles o faltan, llame al 1-800-544-6986 para que se le reemplacen gratuitamente.

Imported by Black & Decker (U.S.) Inc.,
701 E. Joppa Rd.
Towson, MD 21286



Guía de Solución de Problemas

ASEGÚRESE DE SEGUIR LAS REGLAS DE SEGURIDAD E INSTRUCCIONES

Para ayuda con su producto, visite nuestra página de Internet en www.blackanddecker.com para una lista de centros de servicio, o llame al Centro de Atención al Cliente de BLACK+DECKER al 1-800-544-6986.

PROBLEMA	CAUSA POSIBLE	POSIBLE SOLUCIÓN
<ul style="list-style-type: none"> La podadora no arranca. 	<ul style="list-style-type: none"> El cable no está conectado. Fusible de circuito fundido. Interruptor de circuito activado. Cable o interruptor dañado. Césped demasiado largo. Corte térmico activado. 	<ul style="list-style-type: none"> Conecte la podadora en un tomacorriente que funcione. Reemplace el fusible de circuito. (Si el producto hace que el fusible del circuito se funda repetidamente, deje de usar inmediatamente y solicite que le dé servicio un centro de servicio BLACK+DECKER autorizado. Restablezca el interruptor de circuito. (Si el producto hace que el interruptor circuito se dispare repetidamente, deje de usar inmediatamente y solicite que le dé servicio un centro de servicio BLACK+DECKER autorizado. Pida que el cable o interruptor sea reemplazado por un centro de servicio BLACK+DECKER autorizado. Aumente la altura de corte y mueva la podadora a césped más corto para comenzar. Permita que el motor se enfríe y aumente la altura de corte.
<ul style="list-style-type: none"> La podadora funciona intermitentemente. 	<ul style="list-style-type: none"> Corte térmico activado. 	<ul style="list-style-type: none"> Permita que el motor se enfríe y aumente la altura de corte.
<ul style="list-style-type: none"> La podadora deja un acabado desigual o el motor se fuerza. 	<ul style="list-style-type: none"> Altura de corte demasiado baja. La cuchilla de corte esta desafilada. La parte inferior de la podadora está obstruida. La cuchilla está instalada al revés. 	<ul style="list-style-type: none"> Aumente la altura de corte. Reemplace o afile la cuchilla. Desconecte la podadora. Verifique debajo de la podadora y elimine los desechos según sea necesario. (Siempre use guantes de servicio pesado) Instale la cuchilla correctamente.

Black & Decker (U.S.) Inc.
701 East Joppa Road, Towson, MD 21286
Part No. N533553
BEMW472ES BEMW482ES
NOVEMBER 2017

Copyright © 2017 BLACK+DECKER