

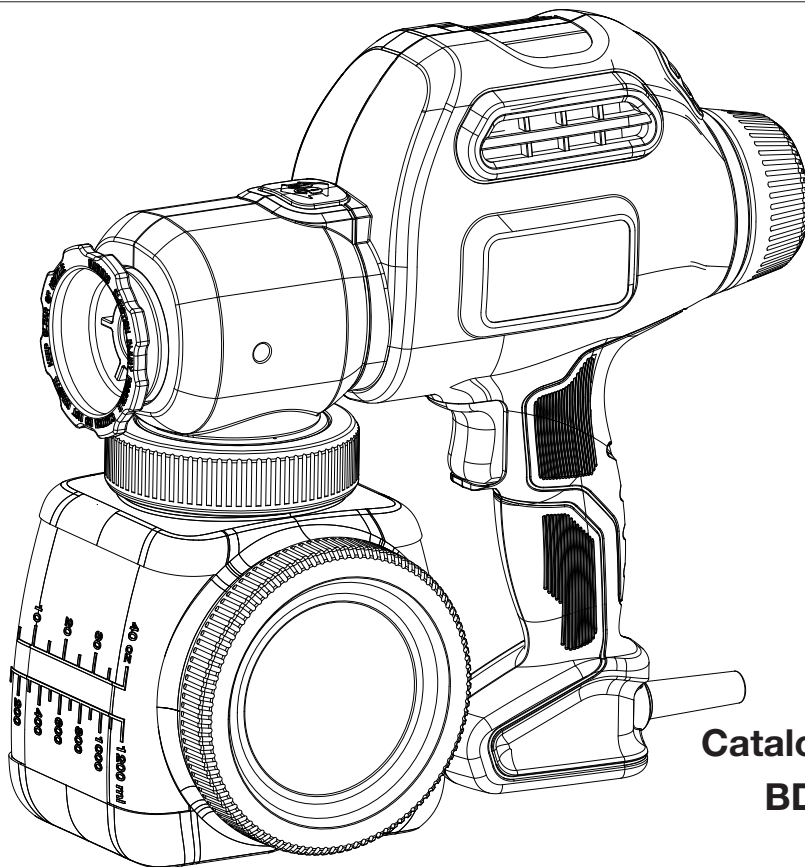


# POWER PAINT SPRAYER

---

# INSTRUCTION MANUAL

---



**Catalog Number  
BDPS200**

**Thank you for choosing Black & Decker! Go to  
[www.BlackandDecker.com/NewOwner](http://www.BlackandDecker.com/NewOwner) to register your new product.**

## **PLEASE READ BEFORE RETURNING THIS PRODUCT FOR ANY REASON:**

If you have a question or experience a problem with your Black & Decker purchase, go to **WWW.BLACKANDDECKER.COM/INSTANTANSWERS** for instant answers 24 hours a day.

If you can't find the answer or do not have access to the internet, call 1-800-544-6986 from 8 a.m. to 5 p.m. EST Mon. - Fri. to speak with an agent.

Please have the catalog number available when you call.

**SAVE THIS INSTRUCTION MANUAL FOR FUTURE REFERENCE.**

**VEA EL ESPAÑOL EN LA CONTRAPORTADA.**

INSTRUCTIVO DE OPERACIÓN, CENTROS DE SERVICIO Y PÓLIZA DE GARANTÍA.  
**ADVERTENCIA:** LEÁSE ESTE INSTRUCTIVO ANTES DE USAR EL PRODUCTO.

## TABLE OF CONTENTS

Safety Guidelines - Definitions .....	3
Important Safety Instructions .....	3
General Safety Warnings .....	4
Grounding Instructions .....	4
Extension Cords .....	5
Components .....	6
Set-Up .....	7
Selecting The Proper Spray Nozzle .....	7
Attaching The Spray Nozzles .....	7
Adjusting The Fan Spray Nozzle .....	7
Liquid Material Preparation .....	8
Preparation Tips .....	8
Filling The Canister .....	8
Flow Control Settings .....	9
Operation .....	9
On/Off Switch .....	9
Spraying Technique .....	9
Cleaning .....	10
Reassembly .....	12
Maintenance .....	13
Accessories .....	13
Service Informaiton .....	13
Warranty .....	14
Troubleshooting .....	14

## SAFETY GUIDELINES - DEFINITIONS

It is important for you to read and understand this manual. The information it contains relates to protecting YOUR SAFETY and PREVENTING PROBLEMS. The symbols below are used to help you recognize this information.

**⚠ DANGER:** Indicates an imminently hazardous situation which, if not avoided, will result in death or serious injury.

**⚠ WARNING:** Indicates a potentially hazardous situation which, if not avoided, could result in death or serious injury.

**⚠ CAUTION:** Indicates a potentially hazardous situation which, if not avoided, may result in minor or moderate injury.

**NOTICE:** Used without the safety alert symbol indicates a potentially hazardous situation which, if not avoided, may result in property damage.

The following are explanations of important safety hazard pictorials in this manual.



1. Read and understand the instruction manual.



3. Explosion hazard.



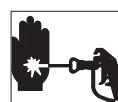
5. Electric shock hazard.



2. Fire hazard.



4. Respiratory hazard.



6. Skin injection hazard.

## IMPORTANT SAFETY INSTRUCTIONS

**SAVE THESE INSTRUCTIONS** - To reduce the risks of fire or explosion, electrical shock and the injury to persons, read and understand all instructions included in this manual. Be familiar with the controls and the proper usage of the equipment.

- This product is intended for household use only.



**⚠ WARNING: FIRE OR EXPLOSION HAZARD.** Solvent and spray material fumes can explode or ignite. Severe injury or property damage can occur.

**To avoid these risks, take the following preventions:**

- Exhaust and fresh air introduction must be provided to keep the air within the spray area free from accumulation of flammable vapors.
- Keep spray area well ventilated
- Avoid all ignition sources such as static electricity sparks, open flames, pilot lights, hot objects, lit tobacco products, and sparks from connecting and disconnecting power cords or working light switches.
- Fire extinguisher equipment shall be present and working."
- Keep area clean and free of paint or solvent containers, rags, and other flammable materials.
- Follow the material and solvent manufacturer's safety precautions and warnings.
- Do not spray flammable or combustible materials near an open flame or sources of ignition such as lit tobacco products, motors, and electrical equipment.
- Know the contents of the spray materials and their cleaning solvents. Read all Material Safety Data Sheets (MSDS) and container labels provided with the spray materials and solvents. Follow the spray material and solvent manufacturer's safety instructions.



**⚠ WARNING: EXPLOSION HAZARD DUE TO INCOMPATIBLE MATERIALS.** Severe injury or property damage can occur.

**To avoid these risks, take the following preventions:**

- Do not use bleach.
- Do not use halogenated hydrocarbon solvents such as methylene chloride and 1,1,1 - trichloroethane. They are not compatible with aluminum and may cause an explosion. If you are unsure of a material's compatibility with aluminum, contact your coating supplier.
- Keep spray area well ventilated



**⚠ WARNING: HAZARDOUS VAPORS.** Spray materials, solvents, and other materials can be harmful if inhaled or come in contact with the body. Vapors can cause severe nausea, fainting, or poisoning.

**To avoid these risks, take the following preventions:**

- Keep spray area well ventilated.
- Use a respirator or mask if vapors can be inhaled. Read all instructions supplied with the mask to be sure it will provide the necessary protection.
- Wear protective eyewear.
- Wear protective clothing as required by coating manufacturer.



**⚠ WARNING: ELECTRIC SHOCK HAZARD.** May cause severe injury.

**To avoid these risks, take the following preventions**

- Keep electrical cord plug and sprayer trigger free from spray material and other liquids. Never hold cord at plug connections to support cord. Failure to observe may result in an electrical shock.
- Never immerse electrical parts in water or any other liquid. Wipe the exterior of the sprayer with a damp cloth for cleaning. Always make sure the sprayer is unplugged before taking it apart for cleaning.
- Do not expose unit to rain or wet conditions.
- Do not abuse the cord. Never use the cord to carry the unit or pull the plug from an outlet. Keep cord away from heat, oil, sharp edges or moving parts. Replace damaged cords immediately.



**⚠ WARNING: SKIN INJECTION HAZARD.** May cause severe injury.

**To avoid these risks, take the following preventions**

- NEVER aim the sprayer at any part of the body.
- Do not aim the sprayer at, or spray any person or animal.
- NEVER allow any part of the body to come in contact with the fluid stream.
- NEVER put your hand in front of the sprayer. Wear gloves. Gloves will not provide protection against an injection injury.
- Keep hands and other body parts away from the discharge. For example, do not try to stop leaks with any part of the body.
- Always unplug the sprayer before servicing, cleaning tip guard, changing tips, or leaving unattended.
- Always use the nozzle tip guard. Do not spray without nozzle tip guard in place.
- Only use a nozzle tip specified by the manufacturer.
- Use caution when cleaning and changing nozzle tips. In the case where the nozzle tip clogs while spraying, follow the manufacturer's instructions.
- High-pressure spray is able to inject toxins into the body and cause serious bodily injury. In the event that injection occurs, seek medical attention immediately.
- Verify that all connections are secure before operating the unit.

## GENERAL SAFETY WARNINGS

**⚠ WARNING: GENERAL.** To Reduce the risk of severe injury or property damage.

**To avoid these risks, take the following preventions:**

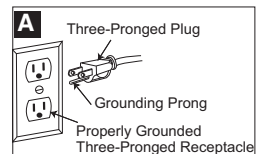
- Always wear appropriate gloves, eye protection, and a respirator or mask when painting.
- Do not aim the sprayer at, or spray any person, including self, or animal.
- Do not spray outdoors on windy days
- Wear protective clothing to keep spray material off skin and hair.
- Follow all appropriate local, state, and national codes governing ventilation, fire prevention, and operation.
- Always use appropriate gloves, eye protection and a respirator or mask when spraying, thinning, mixing, pouring, or cleaning.
- Do not operate or spray near children. Keep children away from equipment at all times. Keep sprayer out of the reach of children.
- Do not overreach or stand on an unstable support. Keep effective footing and balance at all times.
- Stay alert and watch what you are doing.
- Do not operate the unit when fatigued or under the influence of drugs or alcohol.
- Read all instructions and safety precautions for equipment and spray material before operating any equipment.
- Hearing protection is recommended for extended use.

## GROUNDING INSTRUCTIONS

This product must be grounded. In the event of an electrical short circuit, grounding reduces the risk of electric shock by providing an escape wire for the electric current. This product is equipped with a cord having a grounding wire with an appropriate grounding plug. The plug must be plugged into an outlet that is properly installed and grounded in accordance with all local codes and ordinances. Connect to a grounded outlet and use grounded extension cords. Do not use a 3 to 2 adapter.



**⚠ WARNING: ELECTRIC SHOCK HAZARD.** Improper installation of the grounding plug is able to result in a risk of electric shock. When repair or replacement of the cord or plug is required, do not connect the grounding wire to either flat blade terminal. The wire with insulation having an outer surface that is green with or without yellow stripes is the grounding wire.



This product is for use on a nominal 120-V circuit and has a grounding plug similar to the plug illustrated. Only connect the product to an outlet having the same configuration as the plug. Do not use an adapter with this product. Check with a qualified electrician or serviceman when the grounding instructions are not completely understood, or

when in doubt as to whether the product is properly grounded. Do not modify the plug provided; if it does not fit the outlet, have the proper outlet installed by a qualified electrician. modify the plug provided; if it does not fit the outlet, have the proper outlet installed by a qualified electrician.

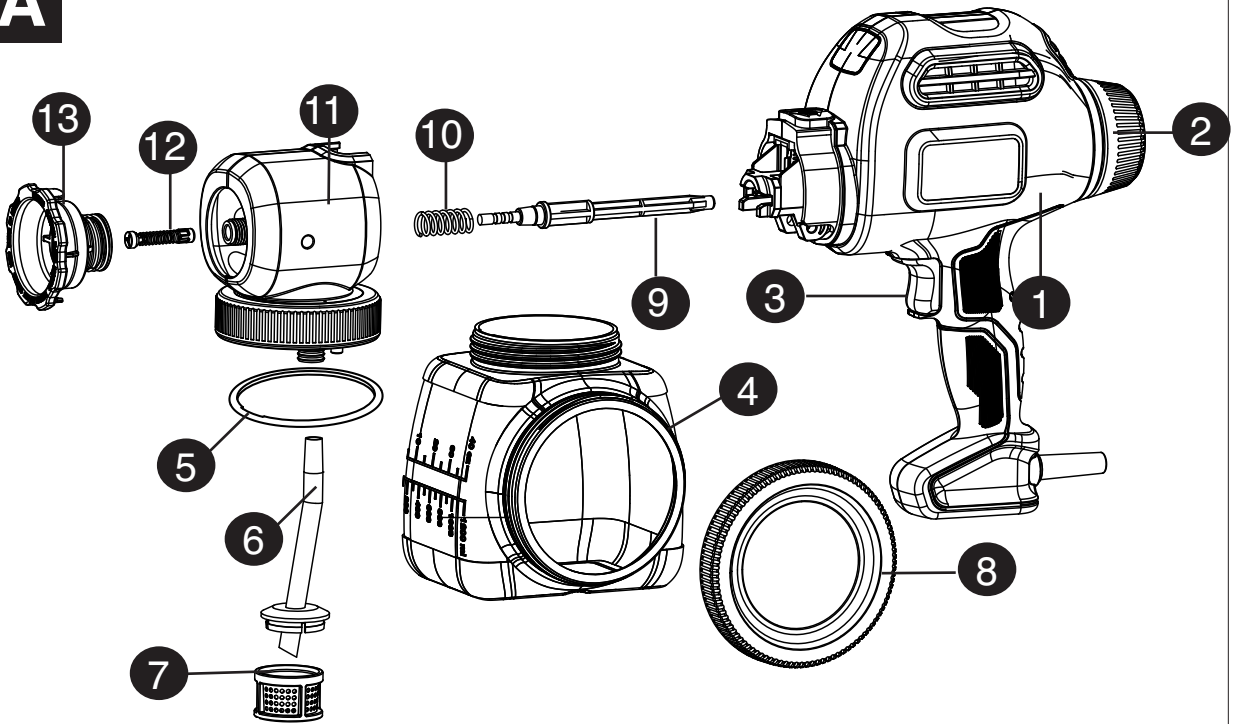
## EXTENSION CORDS

Use only a 3-wire extension cord that has a 3-blade grounding plug and a 3-slot receptacle that will accept the plug on the product. Make sure your extension cord is in good condition. When using an extension cord, be sure to use one heavy enough to carry the current your product will draw. An undersized cord will cause a drop in line voltage resulting in loss of power and overheating. If an extension cord is to be used outdoors, it must be marked with the suffix W-A after the cord type designation. For example, a designation of SJTW-A would indicate that the cord would be appropriate for outdoor use. For proper size cords see chart below.

Volts	Minimum Gauge for Cord Sets			
	Total Length of Cord in Feet			
120V	0-25	26-50	51-100	101-150
	(0-7,6m)	(7,6-15,2m)	(15,2-30,4m)	(30,4-45,7m)
240V	0-50	51-100	101-200	201-300
	(0-15,2m)	(15,2-30,4m)	(30,4-60,9m)	(60,9-91,4m)
<b>Ampere Rating</b>				
More Than	Not more Than	American Wire Gauge		
0 - 6	18	16	16	14
6 - 10	18	16	14	12
10 - 12	16	16	14	12
12 - 16	14	12	Not Recommended	

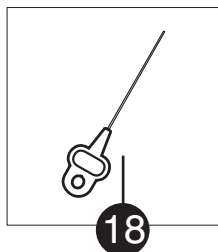
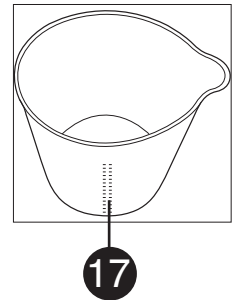
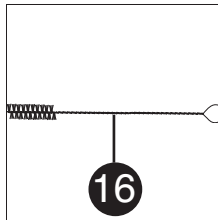
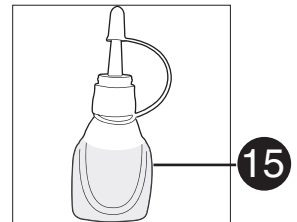
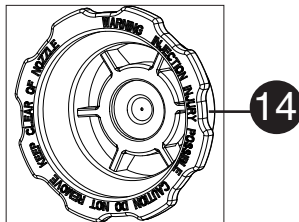
**⚠ WARNING:** Some spray materials contain chemicals known to the State of California to cause cancer, birth defects or other reproductive harm. To reduce your exposure wear appropriate safety equipment such as face masks, gloves, and other appropriate protective equipment. Please review and follow the safety precautions on the paint container.

A



FUNCTIONAL DESCRIPTION

- 1.) Paint sprayer
- 2.) Flow control knob
- 3.) Trigger
- 4.) Side fill canister
- 5.) O-ring
- 6.) Pickup tube
- 7.) Pickup tube filter
- 8.) Lid
- 9.) Piston
- 10.) Piston spring
- 11.) Valve body assembly
- 12.) Atomizer valve
- 13.) Fan nozzle (green)
- 14.) Cone nozzle (blue)
- 15.) Oil lubricant
- 16.) Cleaning brush
- 17.) Mixing bucket
- 18.) Cleaning pin



## SET-UP

**⚠ WARNING:** Be sure to use appropriate protective gear and unplug unit.

**⚠ WARNING:** Make sure area is well ventilated and free of flammable vapors.

### SELECTING THE PROPER SPRAY

#### NOZZLE - (FIGURES B AND B1)

The sprayer includes two standard nozzles that are colored coded for ease of identification.

**Fan (wide) nozzle (green - figure B)** - This nozzle has a spring attached to the back which allows for adjustments for spraying both vertically and horizontally. It also has tabs on the side which match the spray pattern when set for spraying side to side and top to bottom. The spray pattern covers a wide area. This is the spray nozzle that is identified as number 1 in the diagram on top of the sprayer.

**Cone nozzle (blue - figure B1)** - The cone nozzle spray pattern is more concentrated. Use this nozzle for items that are too small for the fan nozzle. This is the spray nozzle that is identified as number 2 in the diagram on top of the sprayer.

### ATTACHING THE SPRAY NOZZLES - (FIGURES C AND C1)

#### To attach the green fan spray nozzle:

- Make sure cord is unplugged.
- Thread the nozzle onto the spindle until you feel a little resistance (about 10 full turns).
- Push in on the spring loaded nozzle and turn until it is fully seated (**figure C**).
- Once the nozzle is fully seated, the spring on the back of the nozzle will make it pop out slightly when it is released (**figure C1**).
- Make sure fan spray nozzle is completely threaded on by hand only. If it is not fully seated in can leak or damage the nozzle.

#### To remove the green fan spray nozzle:

- Press in on the nozzle and turn counter-clockwise.

#### To attach the blue cone spray nozzle:

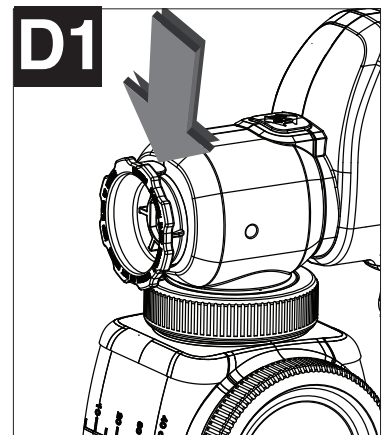
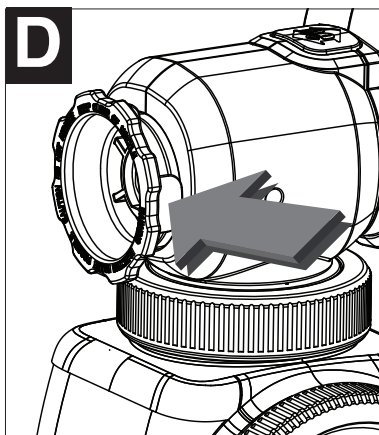
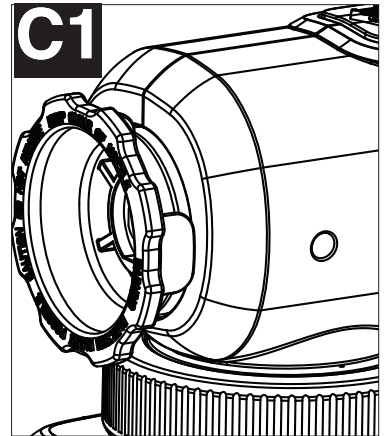
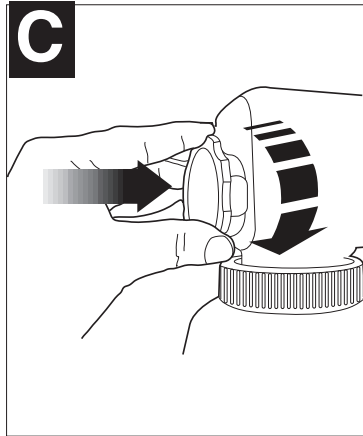
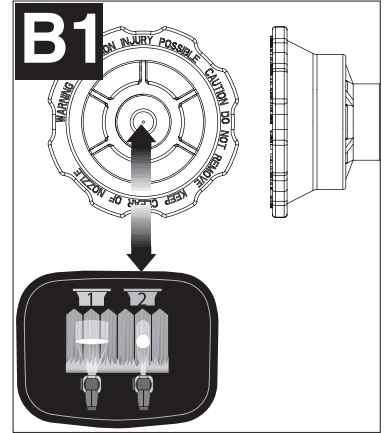
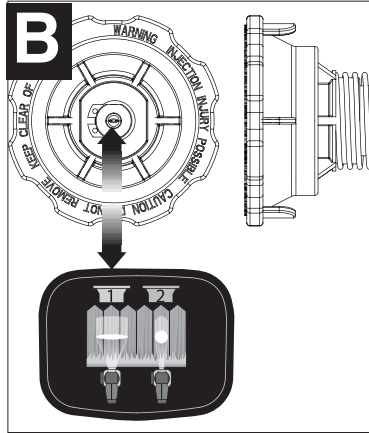
- Thread the nozzle onto the spindle until it is fully seated.
- Make sure cone spray nozzle is completely threaded on by hand only. If it is not fully seated in can leak or damage the nozzle.

### ADJUSTING THE FAN SPRAY NOZZLE - (FIGURES D AND D1)

#### To adjust the fan spray nozzle:

- Make sure cord is unplugged and that the fan spray nozzle is fully hand-tightened.
- The fan spray nozzle has two tabs which align to indicate vertical and horizontal positions.
- If you will be spraying (side to side) adjust the nozzle to align with the vertical mark as shown in **figure D**.
- If you will be spraying (up and down) adjust the nozzle to align with the horizontal mark as shown in **figure D1**.

**⚠ CAUTION:** Do not compress or push spring when adjusting fan pattern. The nozzle should rotate and not loosen.




## LIQUID MATERIAL PREPARATION - (FIGURES E, E1)

**TIP:** Make sure the type of material you use can be cleaned with either mineral spirits or paint thinner (for oil-based paints) or a warm water and soap solution (for water soluble paints like latex). Use drop cloths during pouring, mixing, and viscosity testing of materials to be sprayed to protect your floors and anything else in the spraying area that you wish to remain untouched.

The liquid being sprayed may need to be thinned (diluted) before starting. When thinning, use the proper liquid thinner recommended on the container by the material manufacturer and the proper dilution rate.

**⚠ WARNING:** Do not use materials with a flashpoint higher than 60°C (140°F) .

 A 2- 3/4 quart mixing bucket is provided to use when transferring spray material from the original container into the bucket for thinning and measuring purposes (figure E).

- If material needs thinning, add the appropriate liquid thinning material recommended by the manufacturer (figure E1).
- The quick clean fill cup has a measurement of 2.5 ozs. This can be used as a quick measurement when thinning to 5% in the side fill canister.
- It is possible to spray latex paint with this unit, however, the required thinning may exceed material manufacturer's recommendation. The operator should consider the type of application and final location of the project when spraying.



### COMMON DILUTION RATES ON PAINT CAN

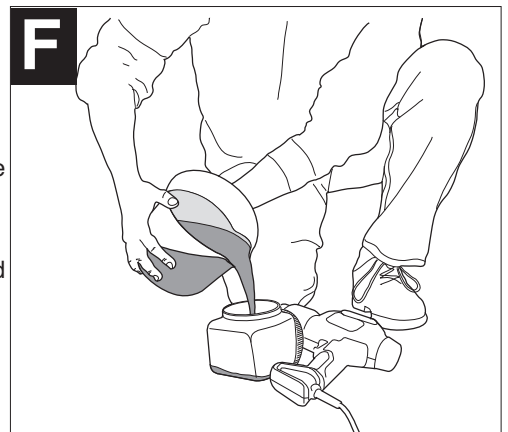
MANUFACTURERS SUGGESTED	OUNCES PER GALLON
1/2 pint	8 ounces
5%	6-1/2 ounces
10%	13 ounces

### PREPARATION TIPS

- With any spraying job you should always ensure that you have properly prepared the surface to get the best finish. That is, that all surfaces are free from dust, dirt, rust and grease. Lightly pressure wash decks or exterior surfaces and ensure that they are dry before spraying.
- It is recommended that you mask all edges and other areas and use drop cloths to protect your floors and anything else in the spraying area that you wish to remain untouched.
- Skin that forms on the top of paint can clog the sprayer. Remove skin before mixing. Older material may need to be strained with a funnel with a filter attached or through hosiery to remove any impurities that could clog system.
- Before starting have gloves, paper towels, rags etc. available for unexpected spills.

### FILLING THE CANISTER - (FIGURE F)

- Check to make sure that the canister is completely screwed onto the sprayer.
- Lay the sprayer on its side with the canister side lid facing up.
- Unscrew the lid on the side of the canister.
- Pour the properly thinned and strained material to be sprayed into the side fill canister (figure F). **TIP: Use the mixing bucket provided to pour material from the original material container into the side fill canister.**
- Clean any residual liquid from the threads or sides of the canister and sprayer.
- Starting the threads evenly, screw the lid completely onto the side fill canister. Check the lid to make sure it is threaded on squarely and completely before picking up the sprayer.





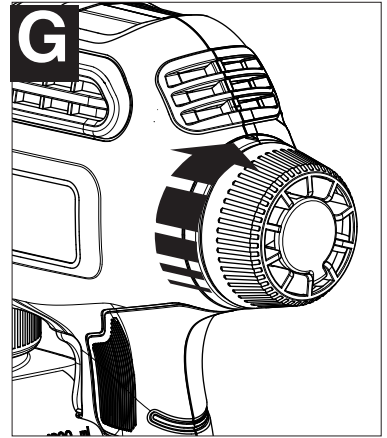
## FLOW CONTROL SETTINGS

### FLOW CONTROL KNOB - (FIGURE G)

The flow control knob regulates the amount of liquid that can be sprayed.

- Select low (1), medium (5) or high (9) on the flow control knob.

**TIP:** Always test the spray pattern on scrap cardboard or similar material first. Begin with flow control knob on the highest flow setting. Heavier, thicker materials should be sprayed on the higher setting closer to #9. Thinner materials should be sprayed on the lower setting closer to #1.



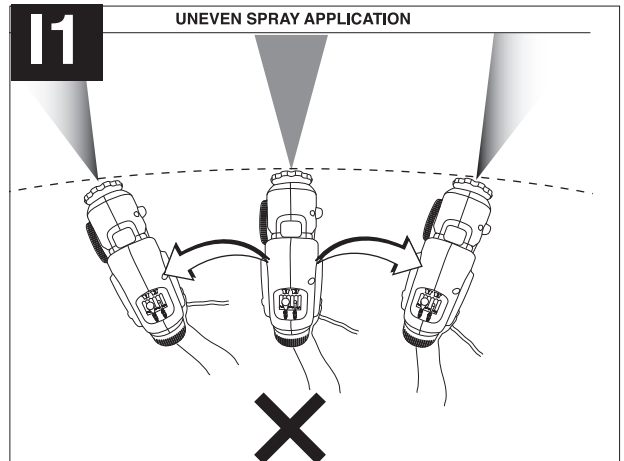
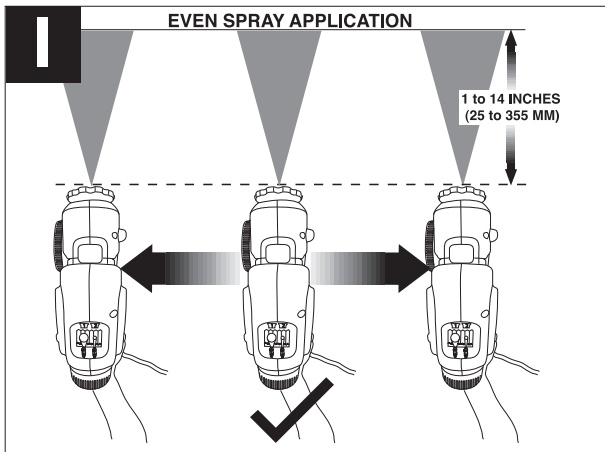
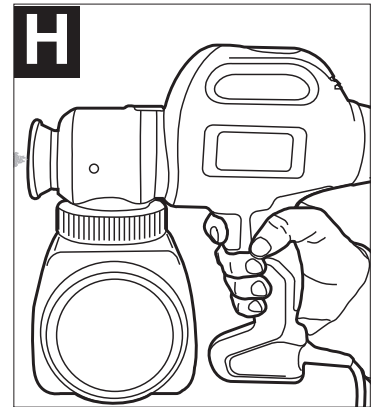
## OPERATION

### ON / OFF TRIGGER - (FIGURE H)

The sprayer is turned on and off by the trigger.

- To turn the sprayer on, squeeze the trigger.
- To turn the sprayer off, release the trigger.

**⚠ WARNING: Risk of injury.** Never point the sprayer at any part of the body. Never pull the trigger while adjusting the spray setting.



## DEVELOPING THE PROPER SPRAYING TECHNIQUE

- Practice spraying on a piece of scrap material such as cardboard to test your spray pattern and become familiar with the speed settings flow control features of the sprayer.
- Ensure surface to be sprayed is free of dust, dirt, and grease.
- Ensure spray area is clean and free of dust that could be blown onto newly sprayed surfaces.
- Cover any areas not intended to be sprayed.
- Always spray from a minimum of 1 inch (25mm) to a maximum of 14 inches (355mm) (**figure I**). Optimal is usually around 10 inches or use a paint stir stick as a reference.
- A commonly used method for spraying a large surface is the “crisscross” pattern. This is done by spraying in horizontal strips and then crossing over these strips with vertical strips.
- To get an even spray distribution, always keep your arm at the same distance (**figure I**) from the surface you are spraying and avoid moving your wrist (**figure I1**).

- Maintain smooth and consistent speed which will help avoid inconsistencies. Begin spraying after the pass has begun and release trigger before stopping the pass.
- Avoid spraying too heavily in any one area. Several lighter coats are better than one heavy coat which can lead to running and dripping. Remember that the flow control knob regulates the amount of liquid that can be sprayed. Turning the flow knob counterclockwise increases the flow of liquid. Turning the knob clockwise decreases the flow of liquid. If runs or drips do occur, have a dry paint brush on hand to smooth them out.

**⚠ WARNING: ELECTRIC SHOCK HAZARD.** When spraying overhead, never tip the sprayer more than 45 degrees. The material being sprayed could leak into the motor housing.

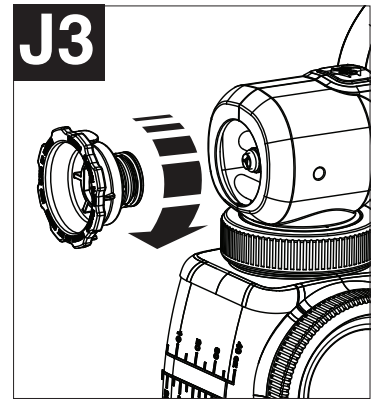
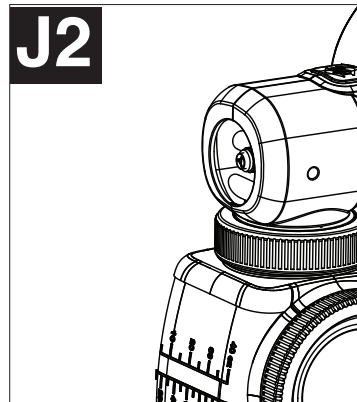
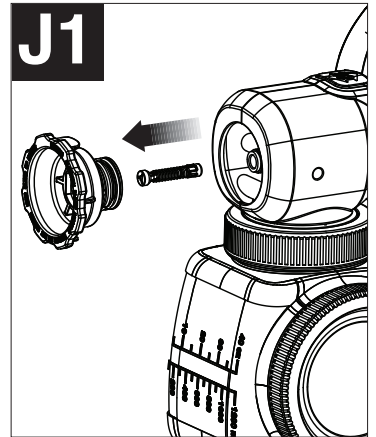
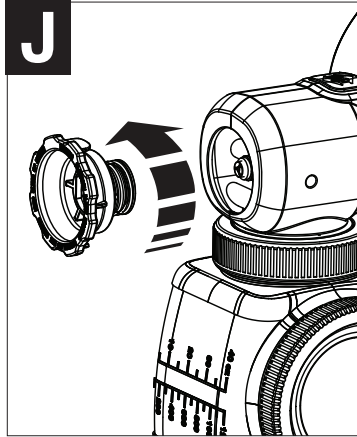
**TIP:** If the atomizer valve is not seated properly, spray material will leak from behind the spray nozzle. If material is leaking, turn off and unplug sprayer from power source immediately. Follow these steps to correct the problem:

- Check that the sprayer is unplugged from the power source. Remove the spray nozzle by turning counterclockwise (**figure J**). For the fan nozzle, remember to push and turn counterclockwise to remove.

- Remove the atomizer and check to see if it needs to be cleaned or replaced. Also check inside the pump housing for any debris or obstruction and clean if necessary (**figure J1**).

- Replace the atomizer valve making sure it seats properly (**figure J2**).

- Thread the spray nozzle back onto the sprayer by turning clockwise (**figure J3**).



## CLEANING

**⚠ WARNING:** Be sure to use appropriate protective gear.

- Make sure clean up area is well ventilated and free of flammable vapors.
- Always spray outdoors when spraying cleaning solution through sprayer.
- Use drop cloths during pouring, mixing, and viscosity testing of materials to be sprayed to protect your floors and anything else in the spraying area that you wish to remain untouched.

### TO BEGIN CLEANING:

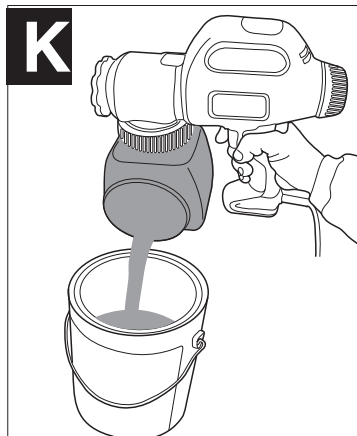
- Unplug the sprayer from the power source.

- Unscrew the lid from the side of the canister and pour any remaining liquid back into the original container (**figure K**).

- Pour a small amount of the appropriate cleaning solution into the canister (**figure K1**).

- Warm soapy water for water based materials
- Manufacturers recommended cleaning solution for oil based materials

- Replace the lid on the canister securely and vigorously shake the sprayer.

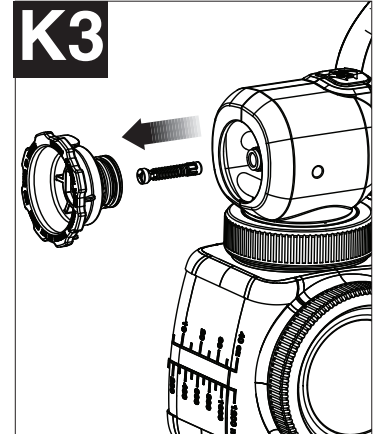
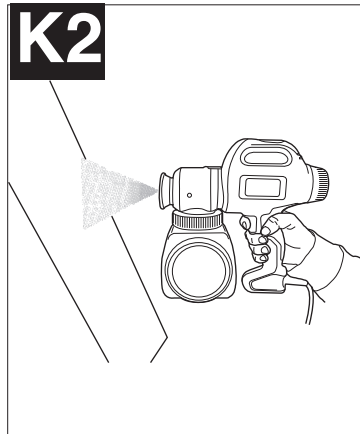


- Unscrew the lid from the side of the canister and properly dispose of cleaning solution.
- **Refill** the canister with a small amount of new cleaning solution (**figure K1**). Screw lid securely on canister.

- Plug in the cord and spray the cleaning solution through the sprayer onto scrap material for 5 seconds (**figure K2**).

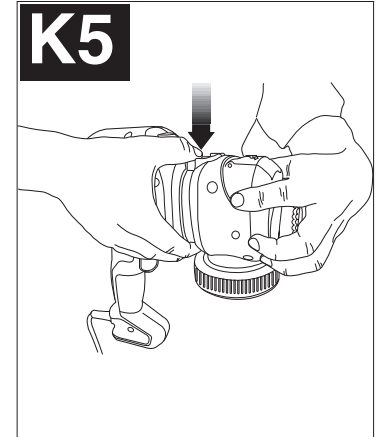
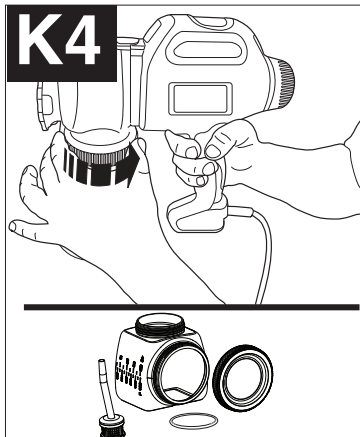
- Unplug the sprayer from the power source.
- Properly dispose of cleaning solution.

- Remove the spray nozzle, by turning counterclockwise, then remove the atomizer (**figure K3**). Refer to **figures C & C1**.

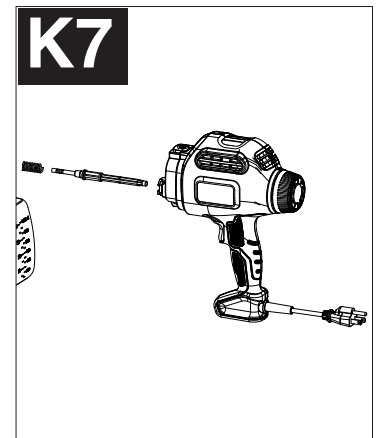
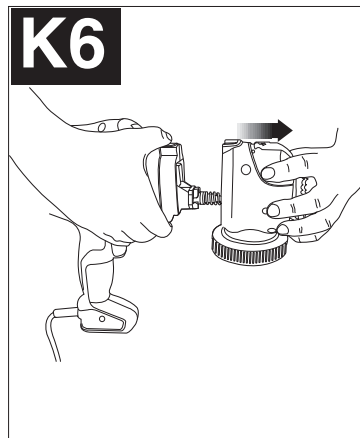


- Unscrew the canister from the sprayer by turning the collar as shown in **figure K4**. Remove the pickup tube and filter and o-ring from the sprayer. Clean the parts with the cleaning brush in the appropriate cleaning solution.

- Remove the front housing of the sprayer, by pressing down on the release button and pulling the front housing off of the sprayer (**figure K5, K6**).



- Remove the piston and spring (**figure K7**).



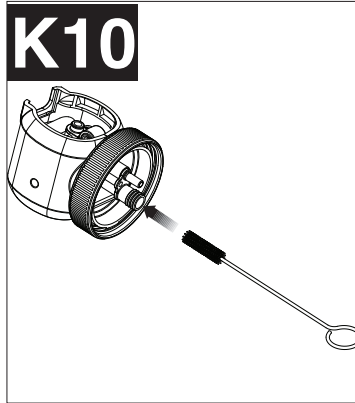
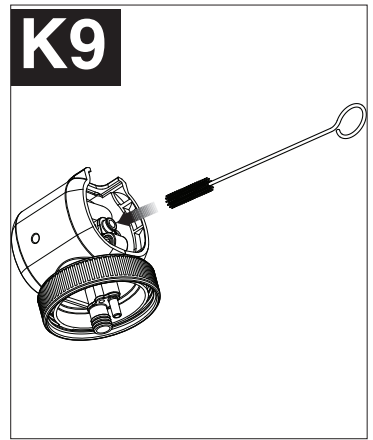
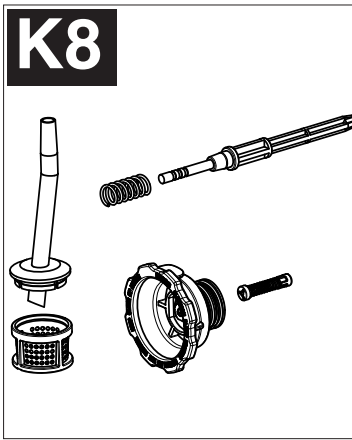
- Clean the spray nozzle, pickup tube and filter, atomizer, piston and spring with the cleaning brush in the appropriate cleaning solution (**figure K8**).

- **Thoroughly** clean the inside of the piston chamber with the cleaning brush (**figure K9**).  
**IMPORTANT:** Be sure to remove all material from inside of piston chamber. A small amount of material that is not removed with the cleaning brush can harden over time and interfere with the movement of the piston causing damage to the sprayer.

- **Thoroughly** clean the inside of the intake and return openings with the cleaning brush (**figure K10**).

**IMPORTANT:** Also thoroughly clean the smaller vent hole, shown with an arrow in **figure K11**, with included cleaning pin.

- Dry all parts thoroughly.



## REASSEMBLY

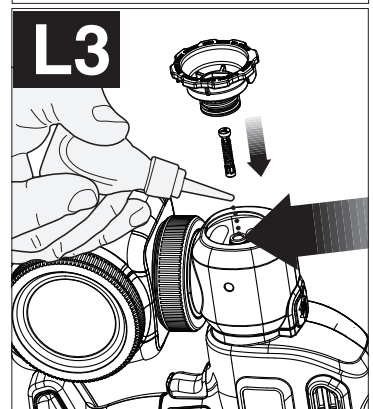
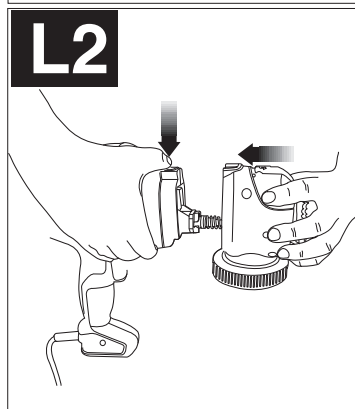
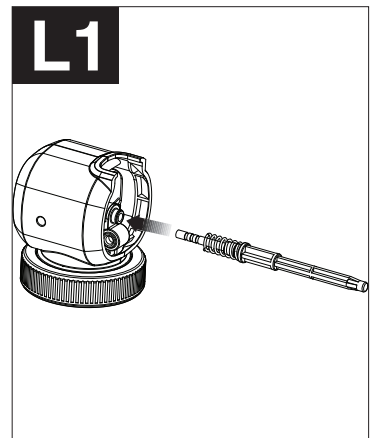
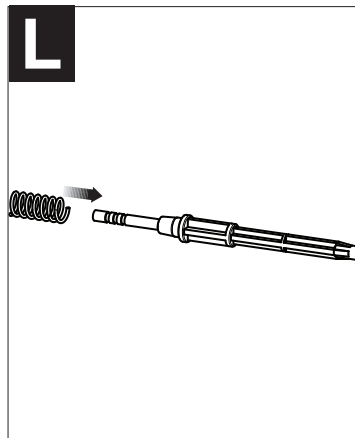
- Slide the spring onto the front of the piston (**figure L**).

- Insert the piston and spring into the front housing (**figure L1**).

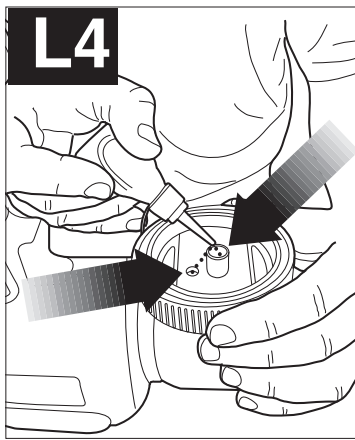
- Pressing down on the release button, insert the front housing with piston, into the sprayer until the release button pops into place (**figure L2**).

**NOTICE:** The unit will not reassemble without the piston and spring in place.

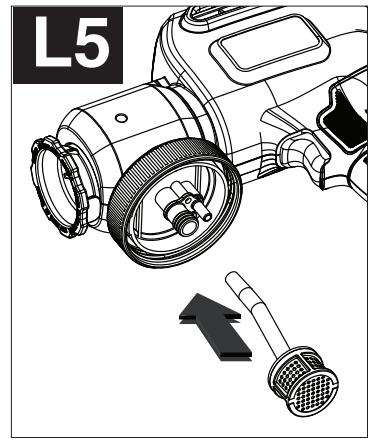
- Place a few drops of oil through the cylinder opening. Insert the atomizer valve into the front housing. Thread the spray nozzle onto the front housing and hand tighten (**figure L3**).



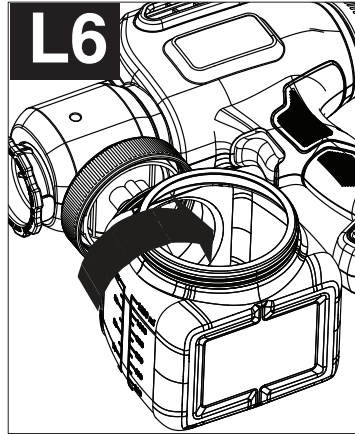
• Using the oil lubricant provided, place a few drops of oil down the intake and return openings of the sprayer as shown in **figure L4**.



• Insert the pickup tube into the intake opening on the sprayer (**figure L5**).



• Thread the canister back onto the sprayer (**figure L6**) making sure the tabs on the canister align with the tabs on the threaded collar. The side fill lid should always be on the left side of the sprayer.



## MAINTENANCE

Use only mild soap and damp cloth to clean the power unit. Never let any liquid get inside the power unit; never immerse any part of the power unit into a liquid.

**IMPORTANT:** To assure product SAFETY and RELIABILITY, repairs, maintenance and adjustment (other than those listed in this manual) should be performed by authorized service centers or other qualified service organizations, always using identical replacement parts.

## ACCESSORIES

Recommended accessories for use with your product are available from your local dealer or authorized service center. If you need assistance regarding accessories, please call: **1-800-544-6986**

**⚠ WARNING:** The use of any accessory not recommended for use with this product could be hazardous.

## SERVICE INFORMATION

All Black & Decker Service Centers are staffed with trained personnel to provide customers with efficient and reliable power tool service. Whether you need technical advice, repair, or genuine factory replacement parts, contact the Black & Decker location nearest you. To find your local service location, refer to the yellow page directory under "Tools—Electric" or call: **1-800-544-6986** or visit [www.blackanddecker.com](http://www.blackanddecker.com)

**⚠ WARNING:** Tool service must be performed only by qualified repair personnel.

**⚠ WARNING:** When servicing a tool, use only identical replacement parts.

## WARRANTY

### Full Two-Year Home Use Warranty

Black & Decker (U.S.) Inc. warrants this product for two years against any defects in material or workmanship. The defective product will be replaced or repaired at no charge in either of two ways.

The first, which will result in exchanges only, is to return the product to the retailer from whom it was purchased (provided that the store is a participating retailer). Returns should be made within the time period of the retailer's policy for exchanges (usually 30 to 90 days after the sale). Proof of purchase may be required. Please check with the retailer for their specific return policy regarding returns that are beyond the time set for exchanges.

The second option is to take or send the product (prepaid) to a Black & Decker owned or authorized Service Center for repair or replacement at our option. Proof of purchase may be required. Black & Decker owned and authorized Service Centers are listed under "Tools-Electric" in the yellow pages of the phone directory.

This warranty does not apply to accessories. This warranty gives you specific legal rights and you may have other rights which vary from state to state or province to province. Should you have any questions, contact the manager of your nearest Black & Decker Service Center. This product is not intended for commercial use.

**LATIN AMERICA:** This warranty does not apply to products sold in Latin America. For products sold in Latin America, check country specific warranty information contained in the packaging, call the local company or see the website for warranty information.

**FREE WARNING LABEL REPLACEMENT:** If your warning labels become illegible or are missing, call **1-800-544-6986** for a free replacement.

## TROUBLESHOOTING

Problem	Possible Cause	Possible Solution
• Material runs or drips	<ul style="list-style-type: none"> <li>• Spraying too much material.</li> <li>• Spraying too slowly.</li> <li>• Spraying too close.</li> <li>• Viscosity too thin.</li> </ul>	<ul style="list-style-type: none"> <li>• Reduce air flow by turning flow control knob.</li> <li>• Increase speed of application.</li> <li>• Increase distance from surface.</li> <li>• Check dilution recommendation.</li> </ul>
• Too much over spray.	<ul style="list-style-type: none"> <li>• Sprayer too far from surface.</li> <li>• Too much material being sprayed.</li> </ul>	<ul style="list-style-type: none"> <li>• Reduce distance to surface.</li> <li>• Reduce flow by turning flow control knob clockwise.</li> </ul>
• Little or no material being released.	<ul style="list-style-type: none"> <li>• Spray nozzle/tip clogged.</li> <li>• Pickup tube loose or clogged.</li> <li>• Flow control knob setting too low.</li> <li>• Material too thick.</li> </ul>	<ul style="list-style-type: none"> <li>• Clean nozzles.</li> <li>• Check tube.</li> <li>• Increase flow control setting.</li> <li>• Check viscosity recommendation.</li> </ul>
• Material being sprayed is splattering.	<ul style="list-style-type: none"> <li>• Viscosity of material is too low. recommendation.</li> </ul>	<ul style="list-style-type: none"> <li>• Thin material per manufacturer</li> </ul>
• Sprayer pulsates.	<ul style="list-style-type: none"> <li>• Material in canister almost empty.</li> </ul>	<ul style="list-style-type: none"> <li>• Refill canister.</li> </ul>
• Liquid comes out side of canister.	<ul style="list-style-type: none"> <li>• Lid not on square or tight enough.</li> <li>• Paint on threads of canister and lid.</li> </ul>	<ul style="list-style-type: none"> <li>• Remove lid and reattach squarely and evenly, then tighten cap securely.</li> <li>• Clean threads on top and sides of canister and lid.</li> </ul>
• Motor operates properly but does not spray.	<ul style="list-style-type: none"> <li>• Plugged or worn atomizer valve.</li> <li>• Atomizer valve missing.</li> <li>• Material too thick.</li> <li>• Plugged spray tip.</li> <li>• Intake filter plugged.</li> <li>• Control knob needs adjusting.</li> <li>• Worn piston.</li> </ul>	<ul style="list-style-type: none"> <li>• Clean or replace as needed.</li> <li>• Put in atomizer valve.</li> <li>• Thin material.</li> <li>• Clean tip.</li> <li>• Clean intake filter.</li> <li>• Adjust knob.</li> <li>• Clean and oil or replace</li> </ul>
• Cannot reassemble unit.	<ul style="list-style-type: none"> <li>• Skipped an assembly step.</li> </ul>	<ul style="list-style-type: none"> <li>• Insert spring and piston into the housing prior to reassembling.</li> <li>• Press and hold the release button while reassembling.</li> </ul>

For assistance with your product, visit our website [www.blackanddecker.com](http://www.blackanddecker.com) for the location of the service center nearest you or call the BLACK & DECKER help line at 1-800-544-6986.

Imported by  
Black & Decker (U.S.) Inc.,  
701 E. Joppa Rd.  
Towson, MD 21286 U.S.A.



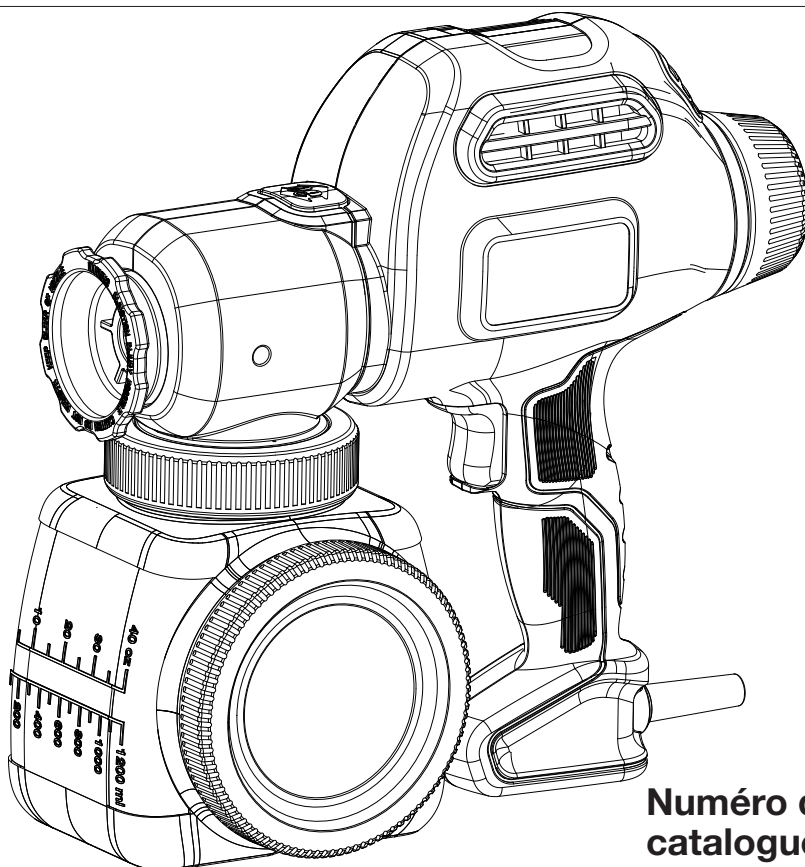
See 'Tools-Elec-  
tric'  
– Yellow Pages –  
for Service &  
Sales



# **BLACK&DECKER®**

## **PULVÉRISATEUR DE PEINTURE ÉLECTRIQUE**

### **MODE D'EMPLOI**



**Numéro de  
catalogue : BDPS200**

**Merci d'avoir choisi Black & Decker!  
Consulter le site Web [www.BlackandDecker.com/NewOwner](http://www.BlackandDecker.com/NewOwner)  
pour enregistrer votre nouveau produit.**

### **À LIRE AVANT DE RETOURNER CE PRODUIT POUR QUELQUE RAISON QUE CE SOIT :**

Si des questions ou des problèmes surgissent après l'achat d'un produit  
Black & Decker, consulter le site Web

**[WWW.BLACKANDDECKER.COM/INSTANTANSWERS](http://WWW.BLACKANDDECKER.COM/INSTANTANSWERS)**

pour obtenir des réponses instantanément 24 heures par jour.

Si la réponse est introuvable ou en l'absence d'accès à l'Internet, composer le  
1 800 544-6986 de 8 h à 17 h HNE, du lundi au vendredi, pour parler avec un agent.

Prière d'avoir le numéro de catalogue sous la main lors de l'appel.

**CONSERVER CE MANUEL POUR UN USAGE ULTÉRIEUR.**

## TABLE DES MATIÈRES

Lignes directrices en matière de sécurité — définitions .....	17
Consignes de sécurité importantes.....	17
Avertissements de sécurité généraux .....	18
Directives relatives à la mise à la terre .....	18
Rallonges .....	19
Composants.....	20
Préparation .....	21
Choix de la buse de pulvérisation adéquate .....	21
Fixation des buses de pulvérisation.....	21
Réglage de la buse de pulvérisation à jet en éventail.....	21
Préparation du produit liquide .....	22
Conseils de préparation .....	22
Remplissage de la cartouche.....	22
Réglages de débit .....	23
Fonctionnement .....	23
Interrupteur marche/arrêt .....	23
Technique de pulvérisation .....	23
Nettoyage .....	24
Réassemblage .....	26
Entretien .....	27
Accessoires.....	27
Information sur les réparations ou l'entretien.....	27
Garantie .....	27
Dépannage .....	28



## LIGNES DIRECTRICES EN MATIÈRE DE SÉCURITÉ - DÉFINITIONS

Il est important de lire et de comprendre ce mode d'emploi. Les informations qu'il contient concernent VOTRE SÉCURITÉ et visent à ÉVITER TOUT PROBLÈME. Les symboles ci-dessous servent à aider à reconnaître cette information.

**⚠ DANGER :** Indique une situation dangereuse imminente qui, si elle n'est pas évitée, causera la mort ou des graves blessures.

**⚠ AVERTISSEMENT :** Indique une situation potentiellement dangereuse qui, si elle n'est pas évitée, pourrait causer la mort ou de graves blessures.

**⚠ MISE EN GARDE :** Indique une situation potentiellement dangereuse qui, si elle n'est pas évitée, pourrait causer des blessures mineures ou modérées.

**AVIS :** Utilisé sans le symbole d'alerte à la sécurité, indique une situation potentiellement dangereuse qui, si elle n'est pas évitée, peut résulter en des dommages à la propriété.

**Voici une explication des symboles de danger importants utilisés dans le présent manuel.**



1. Lire et comprendre le mode d'emploi.



3. Risque d'explosion.



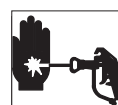
5. Risque d'électrocution



2. Risque d'incendie.



4. Risque pour les voies respiratoires.

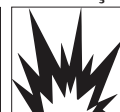


6. Risque d'injection cutanée.

## CONSIGNES DE SÉCURITÉ IMPORTANTES

**CONSERVER CES DIRECTIVES :** Pour réduire les risques d'incendie ou d'explosion, d'électrocution et de blessures, lire et comprendre toutes les directives comprises dans le présent manuel. Se familiariser avec les commandes et le bon fonctionnement de l'appareil.

• Ce produit est conçu uniquement pour une utilisation domestique.



**⚠ AVERTISSEMENT : RISQUE D'INCENDIE OU D'EXPLOSION.** Les vapeurs du solvant et du produit de pulvérisation risquent d'exploser ou de prendre feu. Des blessures graves ou des dommages matériels risquent de se produire.

**Dans le but d'éviter ces risques, respecter les mesures de prévention suivantes :**

- Évacuer l'air vicié et renouveler l'apport d'air frais dans le but de maintenir l'air de la zone de pulvérisation exempt de vapeurs inflammables.
- Éviter toutes sources d'inflammation comme les étincelles produites par l'électricité statique, les flammes nues, les veilleuses, les objets chauds, les cigarettes et les étincelles provoquées par le branchement et le débranchement de cordons d'alimentation ou d'interrupteurs de lampes de travail.
- Toujours avoir un extincteur à portée de main et en bon état de fonctionnement.
- Respecter les précautions et les avertissements des fabricants de la matière et du solvant.
- Ne pas pulvériser de matières inflammables ou combustibles près d'une flamme nue ou de sources d'inflammation comme les cigarettes, les moteurs et les appareils électriques.
- Connaître les composants de la peinture et des solvants à pulvériser. Lire toutes les fiches signalétiques (FS) et les étiquettes de contenant fournies avec les peintures et les solvants. Respecter les consignes de sécurité des fabricants de peintures et de solvants.



**⚠ AVERTISSEMENT : RISQUE D'EXPLOSION EN PRÉSENCE DE MATIÈRES INCOMPATIBLES.** Des blessures graves ou des dommages matériels risquent de se produire.

**Dans le but d'éviter ces risques, respecter les mesures de prévention suivantes :**

- Ne pas utiliser de javellisant.
- Ne pas utiliser de solvants à base d'halon notamment du chlorure de méthylène et du trichloréthane-1.1.1. Ils sont incompatibles avec l'aluminium et risquent de provoquer une explosion. En cas de doute sur la compatibilité d'une matière avec l'aluminium, communiquer avec le fournisseur de l'apprêt.



**⚠ AVERTISSEMENT : VAPEURS DANGEREUSES.** Les produits de pulvérisation, les solvants et d'autres matières peuvent être nocifs par inhalation ou contact avec le corps. Les vapeurs peuvent provoquer des nausées graves, des évanouissements ou un empoisonnement.

**Dans le but d'éviter ces risques, respecter les mesures de prévention suivantes :**

- Utiliser un respirateur ou un masque s'il y a risque d'inhaler des vapeurs. Lire toutes les directives fournies avec le masque pour s'assurer qu'il offre la protection nécessaire.
- Porter une protection oculaire.
- Porter les vêtements protecteurs exigés par le fabricant de l'apprêt.



**AVERTISSEMENT : RISQUE D'ÉLECTROCUTION.** Peut entraîner de graves blessures.

**Dans le but d'éviter ces risques, respecter les mesures de prévention suivantes :**

- Maintenir la fiche du cordon d'alimentation et la détente de pulvérisation exemptes de produit de pulvérisation et d'autres liquides. Ne jamais tenir le cordon par la fiche pour soutenir le cordon. Le non-respect de ces directives peut provoquer une décharge électrique.
- Ne jamais immerger des composants électriques dans de l'eau ou tout autre liquide. Pour nettoyer, essuyer la surface externe du pulvérisateur avec un chiffon humide. Toujours s'assurer que le pulvérisateur est débranché avant de le démonter pour le nettoyage.
- Ne pas exposer l'appareil à la pluie ou à l'humidité.
- Ne pas utiliser le cordon de façon abusive. Ne pas utiliser le cordon pour transporter l'appareil ni tirer dessus pour le débrancher de la prise de courant. Tenir le cordon éloigné de la chaleur, de l'huile, des bords tranchants et des pièces mobiles. Remplacer immédiatement tout cordon endommagé.



**AVERTISSEMENT : RISQUE D'INJECTION CUTANÉE.** Peut entraîner de graves blessures.

**Dans le but d'éviter ces risques, respecter les mesures de prévention suivantes :**

- Ne JAMAIS viser une partie du corps avec le pulvérisateur.
- Ne pas viser de personnes ou d'animaux avec le pulvérisateur, ni ne pulvériser de produit sur eux.
- Ne JAMAIS mettre une partie du corps en contact avec le jet de liquide.
- Ne JAMAIS mettre la main devant le pulvérisateur. Porter des gants. Les gants ne protègent pas contre une blessure causée par injection.
- Tenir les mains et les autres parties du corps loin de la sortie du pulvérisateur. Par exemple, ne pas essayer de boucher les fuites avec une partie de votre corps.
- Toujours débrancher le pulvérisateur avant de procéder à son entretien, de nettoyer le pare-buse, de changer de buse ou de laisser l'appareil sans surveillance.
- Toujours utiliser le pare-buse. Ne pas utiliser le pulvérisateur si le pare-buse n'est pas en place.

## AVERTISSEMENTS DE SÉCURITÉ GÉNÉRAUX

**AVERTISSEMENT : GÉNÉRAL.** Risque de provoquer des blessures graves ou des dommages matériels.

**Dans le but d'éviter ces risques, respecter les mesures de prévention suivantes :**

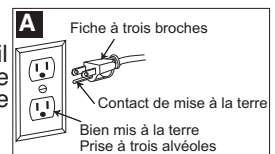
- Ne pas viser de personnes (y compris vous-même) ni d'animaux avec le pulvérisateur, ni ne pulvériser de produit sur eux.
- Ne pas pulvériser à l'extérieur les jours venteux.
- Porter des vêtements protecteurs pour protéger la peau et les cheveux de la peinture.
- Respecter tous les codes locaux, étatiques, provinciaux, territoriaux et nationaux relatifs à la ventilation, à la prévention des incendies et au fonctionnement.
- Toujours porter des gants, une protection oculaire et un respirateur ou un masque qui conviennent au travail de peinture.
- Ne pas utiliser ou pulvériser près d'enfants. Tenir les enfants à l'écart de l'appareil en tout temps. Conserver le pulvérisateur hors de la portée des enfants.
- Ne pas trop tendre les bras ou se tenir sur une surface instable. Bien conserver son équilibre et une position stable en tout temps.
- Être vigilant et surveiller le travail effectué.
- Ne pas utiliser l'appareil en cas de fatigue ou sous l'emprise d'alcool ou de drogues.
- Lire toutes les directives et les précautions en matière de sécurité de l'appareil et de la matière à pulvériser avant de mettre en marche l'appareil.
- Le port d'une protection auditive est recommandé lors d'utilisation prolongée.

## INSTRUCTIONS DE MISE À LA TERRE

Ce produit doit être mis à la terre. En cas de court-circuit électrique, la mise à la terre réduit le risque d'électrocution en fournissant un fil d'échappement pour le courant électrique. Ce produit est muni d'un cordon ayant un fil de mise à terre avec une prise de mise à la terre adéquate. La fiche doit être branchée sur une prise de courant qui est bien installée et mise à la terre conformément à tous les codes et à toutes les ordonnances à l'échelle locale.



**AVERTISSEMENT : RISQUE D'ÉLECTROCUTION.** Une mauvaise installation de la fiche de mise à la terre peut entraîner une décharge électrique. S'il faut réparer ou remplacer le cordon électrique ou la fiche, ne pas relier le fil de mise à la terre à l'une des deux branches plates de la fiche. Le fil de mise à la terre est le conducteur avec isolation qui a une surface extérieure verte avec ou sans rayures jaunes.



Ce produit doit être utilisé sur un circuit à tension nominale de 120 V et comprend une fiche de mise à la terre semblable à la fiche illustrée. Ne brancher l'appareil qu'à une prise présentant la même configuration que celle de la fiche. Ne pas utiliser d'adaptateur avec ce produit.

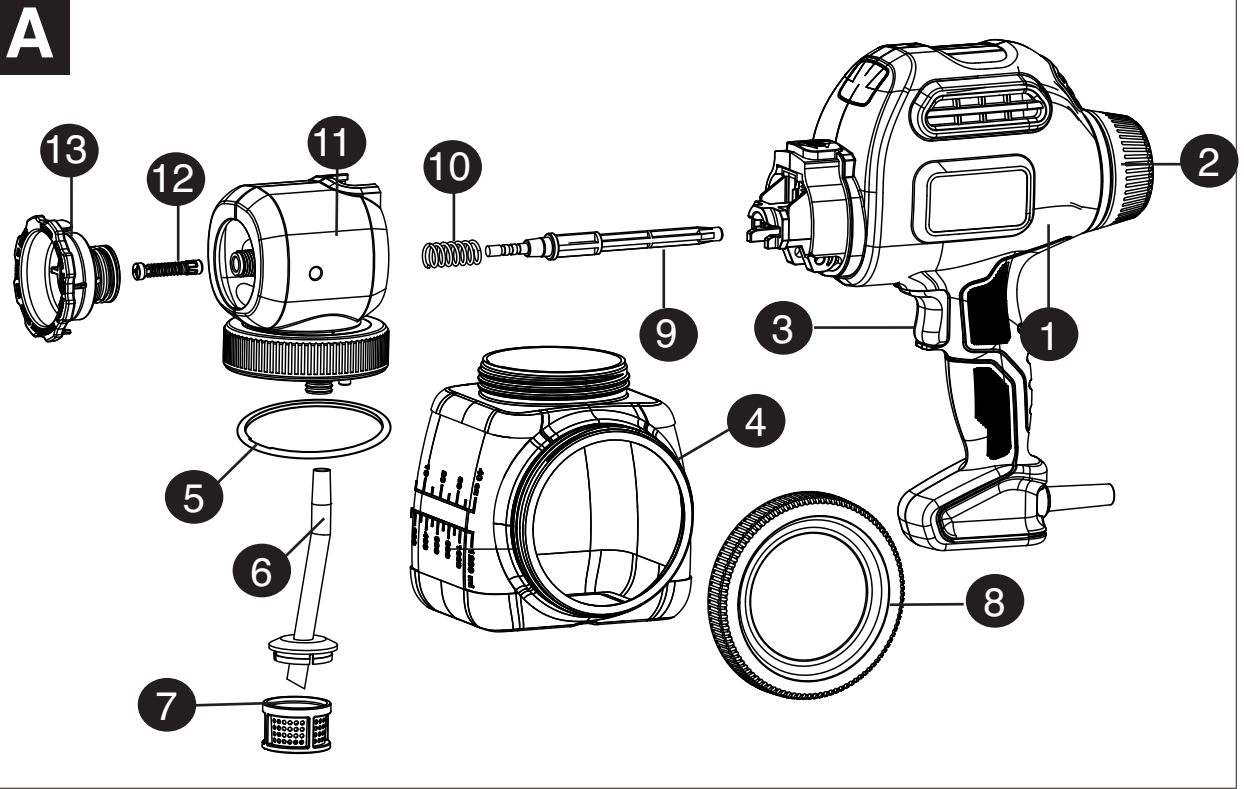
Vérifier auprès d'un électricien ou d'un réparateur professionnel si les directives de mise à la terre ne sont pas parfaitement comprises ou en cas de doute sur le fait que le produit est correctement mis à la terre ou non. Ne pas modifier la fiche fournie; si elle ne s'insère pas dans la prise, faire installer une prise adéquate par un électricien professionnel.

## RALLONGES

Utiliser uniquement une rallonge à trois fils qui possède une fiche de mise à la terre à trois lames et une prise à trois fentes correspondant à la fiche du produit. S'assurer que la rallonge est en bon état. Lorsqu'une rallonge est utilisée, s'assurer d'utiliser un calibre suffisamment élevé pour assurer le transport du courant nécessaire au fonctionnement de l'appareil. Une rallonge de calibre inférieur causera une chute de tension de ligne et donc une perte de puissance et une surchauffe. Si la rallonge est destinée à l'usage extérieur, le suffixe W-A doit être inscrit après la classification de la rallonge. Par exemple, un code SJTW-A indiquerait un cordon d'alimentation adéquat pour un usage extérieur. Pour connaître les cordons de bon calibre à utiliser, consulter le tableau suivant.

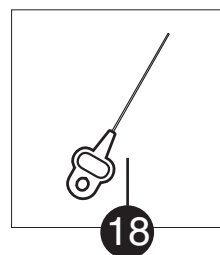
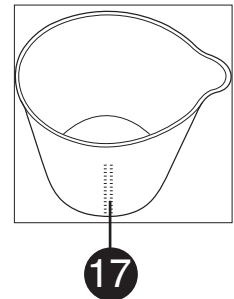
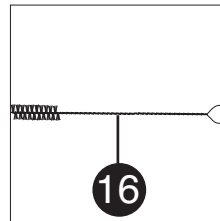
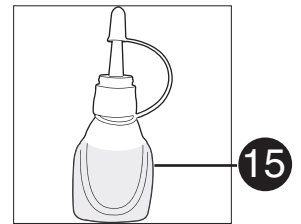
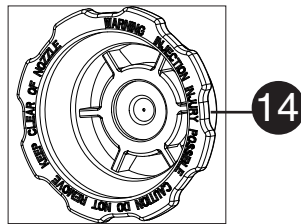
Tension		Calibre minimal des cordons de rallonge			
		Longueur totale du cordon en pieds			
120V		0-25 (0-7,6m)	26-50 (7,6-15,2m)	51-100 (15,2-30,4m)	101-150 (30,4-45,7m)
240V		0-50 (0-15,2m)	51-100 (15,2-30,4m)	101-200 (30,4-60,9m)	201-300 (60,9-91,4m)
Intensité (A)		Calibre moyen des fils (AWG)			
Au moins	Au plus				
0	- 6	18	16	16	14
6	- 10	18	16	14	12
10	- 12	16	16	14	12
12	- 16	14	12	Non recommandé	

**⚠ AVERTISSEMENT :** Certains produits de pulvérisation renferment des produits chimiques reconnus par l'État de la Californie pour causer le cancer, des anomalies congénitales ou d'autres dangers pour la reproduction. Pour réduire l'exposition à ces produits chimiques, porter un équipement de sécurité adéquat, à savoir un masque, des gants et tout autre équipement protecteur approprié. Passer en revue et suivre les mesures de sécurité figurant sur le contenant de produit de pulvérisation.



**DESCRIPTION  
FONCTIONNELLE**

- 1.) Pulvérisateur de peinture
- 2.) Bouton de réglage de débit
- 3.) Détente
- 4.) Cartouche à remplissage latéral
- 5.) Joint torique
- 6.) Tube d'aspiration
- 7.) Filtre du tube d'aspiration
- 8.) Couvercle
- 9.) Piston
- 10.) Ressort de piston
- 11.) Module de corps de clapet
- 12.) Clapet d'atomiseur
- 13.) Buse à jet en éventail (verte)
- 14.) Buse à jet conique (bleue)
- 15.) Huile de graissage
- 16.) Brosse de nettoyage
- 17.) Seau de mélange
- 18.) Broche de nettoyage



## PRÉPARATION

**⚠ AVERTISSEMENT :** S'assurer d'utiliser l'équipement de protection approprié et débrancher l'appareil.

**⚠ AVERTISSEMENT :** S'assurer que la zone est bien ventilée et qu'elle est exempte de vapeurs inflammables.

### CHOIX DE LA BUSE DE PULVÉRISATION

#### ADÉQUATE - (FIGURES B ET B1)

Le pulvérisateur comprend deux buses standard chromocodées, ce qui facilite leur identification.

#### Buse à jet en éventail (large)

(verte - figure B) - Cette buse est pourvue d'un ressort qui est fixé à l'arrière de celle-ci, ce qui permet de régler la pulvérisation à la verticale et à l'horizontale. Elle comprend aussi des languettes logées sur le côté qui correspondent à la forme de dispersion du jet lorsque le réglage de pulvérisation est horizontal ou vertical. La forme de dispersion du jet couvre une zone étendue. Il s'agit de la buse de pulvérisation numéro 1 du schéma, sur le dessus du pulvérisateur.

**Buse conique (bleue - figure B1)** - La forme de dispersion du jet de la buse conique est plus concentrée. Utiliser cette buse pour les articles trop petits pour la buse à jet en éventail. Il s'agit de la buse de pulvérisation numéro 2 du schéma, sur le dessus du pulvérisateur.

### FIXATION DES BUSES DE PULVÉRISATION - (FIGURES C ET C1)

#### Pour fixer la buse de pulvérisation verte à jet en éventail -

- S'assurer que le cordon est débranché.
- Visser la buse sur la broche jusqu'à ce qu'une résistance se fasse sentir (environ 10 tours complets).
- Enfoncer la buse à ressort, puis la tourner de manière à ce qu'elle soit bien logée (figure C).
- Lorsque la buse est bien logée, le ressort, situé à l'arrière de la buse, la fera sortir légèrement dès qu'il est relâché (figure C1).
- S'assurer que la buse de pulvérisation à jet en éventail est bien vissée, à la main seulement. Si la buse est mal vissée, elle peut présenter des fuites ou être endommagée.

#### Pour déposer la buse de pulvérisation verte à jet en éventail :

- Enfoncer la buse, puis la tourner dans le sens antihoraire.

#### Pour fixer la buse de pulvérisation bleue à jet conique :

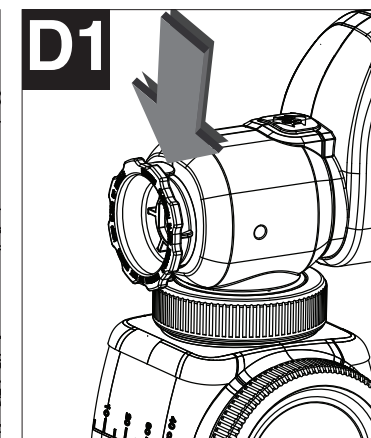
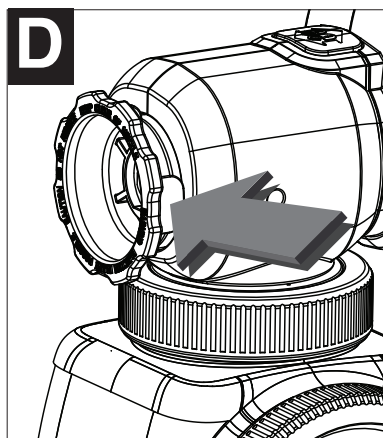
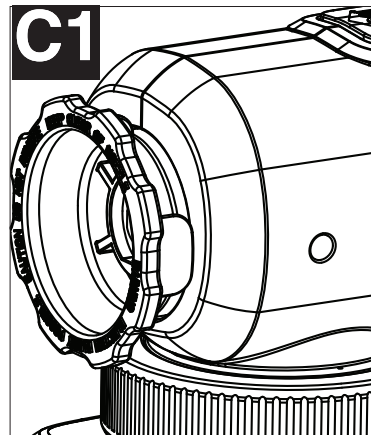
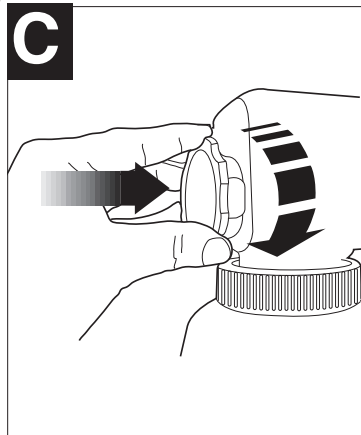
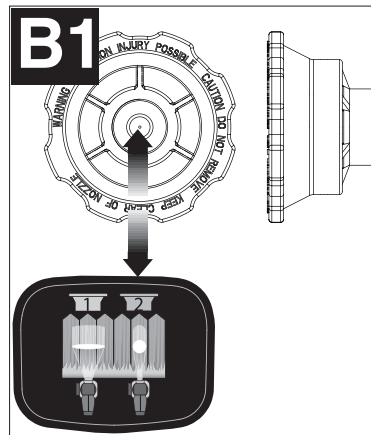
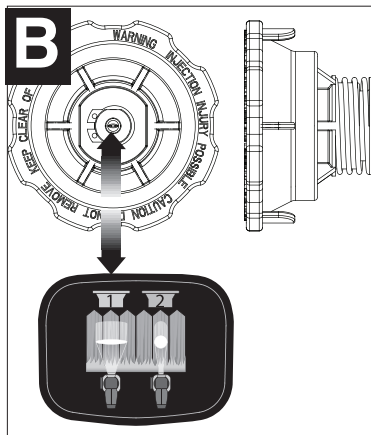
- Visser la buse sur la tige de manière à ce qu'elle soit bien logée.
- S'assurer que la buse de pulvérisation à jet conique est bien vissée, à la main seulement. Si la buse est mal vissée, elle peut présenter des fuites ou être endommagée.

### RÉGLAGE DE LA BUSE DE PULVÉRISATION À JET EN ÉVENTAIL - (FIGURES D ET D1)

#### Pour régler la buse de pulvérisation à jet en éventail :

- S'assurer que le cordon est débranché et que la buse de pulvérisation à jet en éventail est bien serrée manuellement.
- La buse de pulvérisation à jet en éventail comporte deux languettes qui s'alignent sur le réglage vertical ou horizontal.
- En vue d'une pulvérisation à l'horizontale, régler la buse pour qu'elle s'aligne sur le repère vertical comme le montre la figure D.
- En vue d'une pulvérisation à la verticale, régler la buse pour qu'elle s'aligne sur le repère horizontal comme le montre la figure D1.

**⚠ MISE EN GARDE :** Ne pas comprimer, ni enfoncer le ressort au moment de régler la forme de dispersion du jet en éventail. La buse doit tourner sans se desserrer.



**PRÉPARATION DU PRODUIT LIQUIDE - (FIGURES E ET E1)**

**CONSEIL :** S'assurer que le type de produit utilisé peut être nettoyé avec de l'essence minérale ou un diluant (pour les peintures à l'huile) ou une solution d'eau chaude savonneuse (pour les peintures solubles dans l'eau comme le latex). Utiliser des toiles de protection au moment de verser et de mélanger la peinture à pulvériser et lors des essais de viscosité afin de protéger vos planchers et tout ce qui doit rester intact dans la zone de pulvérisation.

Il peut être nécessaire de diluer le liquide à pulvériser avant de commencer. Pour ce faire, utiliser le bon produit diluant recommandé sur le contenant par le fabricant du produit et employer le taux de dilution adéquat.



**AVERTISSEMENT :** Ne pas utiliser de matières dont le point d'éclair est supérieur à 60 °C (140 °F).



Utiliser le seau de 2,6 l (2 3/4 pintes) fourni pour transférer le produit à pulvériser du contenant initial, afin de diluer le produit et de le mesurer (figure E).

- S'il faut diluer le produit, utiliser le bon diluant recommandé par le fabricant (figure E1).
- La coupelle de remplissage à nettoyage rapide présente une mesure de 74 ml (2,5 oz). Cette coupelle peut servir comme mesure rapide pour diluer le produit de 5 % dans la cartouche à remplissage latéral.
- Il est possible de pulvériser une peinture au latex avec cet appareil. Il se peut toutefois que le taux de dilution nécessaire dépasse les recommandations du fabricant. L'opérateur doit tenir compte du type d'application et de l'emplacement final du projet lors de la pulvérisation.

**TAUX DE DILUTION COURANTS INDICÉS SUR LE CONTENANT DE PEINTURE**

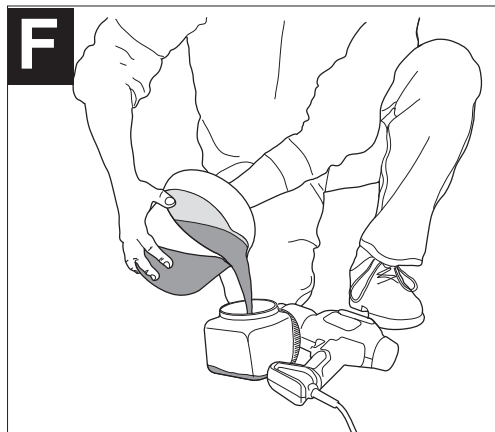
SUGGESTIONS DES FABRICANTS	ML PAR LITRE (OZ PAR GALLON)
237 ml (1/2 chopine)	237 ml (8 oz)
5 %	192 ml (6 1/2 oz)
10 %	384 ml (13 oz)

**CONSEILS DE PRÉPARATION**

- Toujours bien préparer la surface pour optimiser le fini lors de tout travail de pulvérisation. Autrement dit, toutes les surfaces doivent être exemptes de poussières, de saletés, de rouille et de graisse. Laver sous pression légère les terrasses ou les surfaces extérieures et laisser sécher avant de pulvériser.
- Il est recommandé de bien couvrir tous les coins et autres zones et d'utiliser des toiles de protection sur les planchers et tout autre objet de la zone de pulvérisation qui doivent demeurer intacts.
- La pellicule qui se forme à la surface de la peinture risque d'obstruer le pulvérisateur. Retirer la pellicule avant de mélanger. Il peut être nécessaire de filtrer un produit usagé dans un entonnoir muni d'un filtre ou un bas de nylon pour retirer toutes impuretés qui risquent d'obstruer le circuit.
- Avant de commencer, se munir de gants, d'essuie-tout, de torchons, etc., en cas d'accidents.

**REPLISSAGE DE LA CARTOUCHE - (FIGURE F)**

- S'assurer que la cartouche est complètement vissée au pulvérisateur.
- Déposer le pulvérisateur sur le côté de manière à ce que le couvercle latéral de la cartouche soit vers le haut.
- Dévisser le couvercle situé sur le côté de la cartouche.
- Remplir la cartouche à remplissage latéral du produit bien dilué et filtré (figure F). **CONSEIL :** Utiliser le seau de mélange pour transférer le produit de son contenant d'origine à la cartouche à remplissage latéral.
- Nettoyer toute trace de liquide du filetage ou des côtés de la cartouche et du pulvérisateur.
- Commencer par bien engager le couvercle sur le filetage, puis le visser complètement sur la cartouche à remplissage latéral. Vérifier si le couvercle est bien vissé avant de prendre le pulvérisateur.



## RÉGLAGES DE DÉBIT

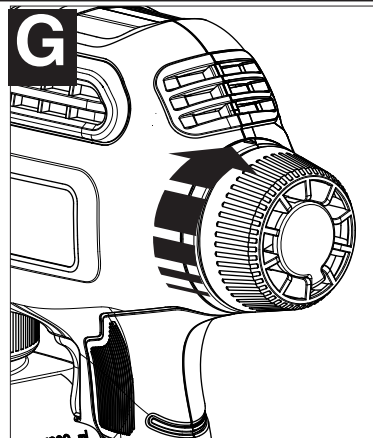
### BOUTON DE RÉGLAGE DE DÉBIT - (FIGURE G)

Le bouton de réglage de débit règle la quantité de liquide à pulvériser.

- Sélectionner le réglage bas (1), moyen (5) ou élevé (9) du bouton de réglage de débit.

**CONSEIL :** *Toujours vérifier d'abord la forme de dispersion du jet sur un vieux morceau de carton ou sur tout autre matériau similaire. Commencer avec le bouton de réglage de débit au réglage maximum. Pour la pulvérisation de matières lourdes et épaisses, il vaut mieux utiliser un réglage plus élevé se rapprochant du n° 9.*

*Pour la pulvérisation des matières minces, il vaut mieux utiliser un réglage plus bas se rapprochant du n° 1.*



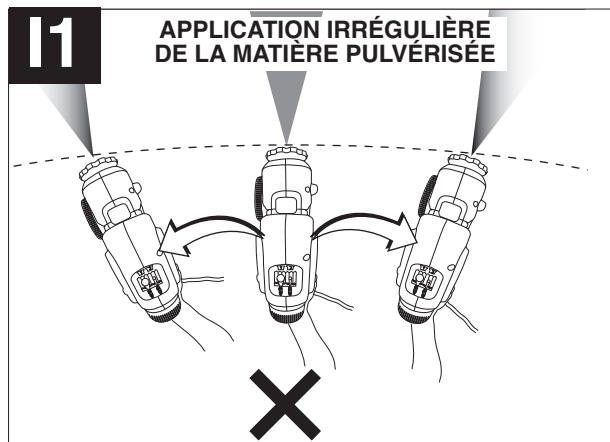
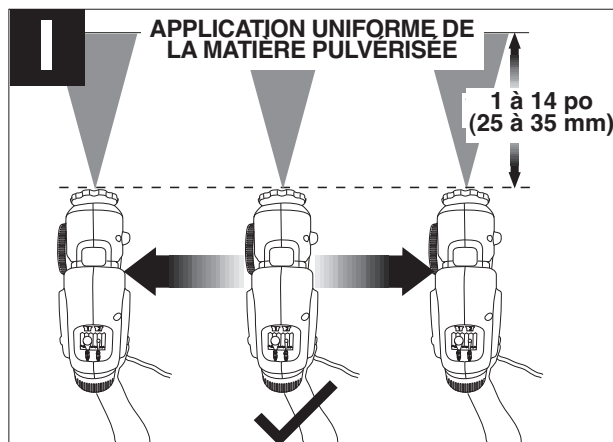
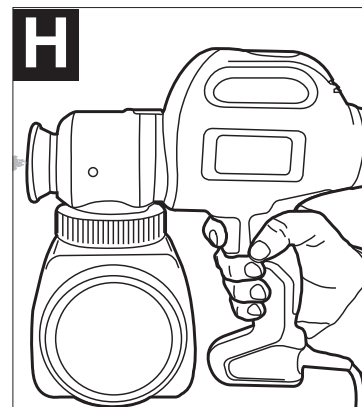
## FONCTIONNEMENT

### DÉTENTE MARCHE/ARRÊT - (FIGURE H)

La détente commande la mise en marche et l'arrêt du pulvérisateur.

- Pour allumer le pulvérisateur, enfoncer la détente.
- Pour éteindre le pulvérisateur, relâcher la détente.

**⚠ AVERTISSEMENT : Risque de blessures.** Ne jamais viser une partie du corps avec le pulvérisateur. Ne jamais appuyer sur la détente au moment de régler la position de pulvérisation.



## METTRE AU POINT UNE BONNE TECHNIQUE DE PULVÉRISATION

- S'exercer à pulvériser sur un matériau mis au rebut, comme un morceau de carton, pour vérifier la forme de dispersion du jet et se familiariser avec les fonctions de réglage du débit et de réglage de vitesse du pulvérisateur.
- S'assurer que la surface de pulvérisation est exempte de poussière, de saleté et de graisse.
- S'assurer que la zone de pulvérisation est propre et exempte de poussières qui pourraient être soufflées sur les surfaces nouvellement peintes.
- Couvrir toutes les zones à protéger de la pulvérisation.
- Toujours pulvériser à une distance minimum de 25 mm (1 po) et à une distance maximum de 355 mm (14 po) (figure I). La distance optimale est habituellement autour de 254 mm (10 po) ou utiliser un bâton de brassage de peinture comme référence.
- Une méthode courante utilisée pour pulvériser une surface importante consiste à pulvériser en croix. On commence par la pulvérisation de bandes horizontales, puis on repasse à la verticale sur ces bandes.

- Pour obtenir une pulvérisation uniforme, toujours maintenir le bras à la même distance (**figure I**) de la surface à pulvériser. Éviter de bouger le poignet (**figure I1**).
- Maintenir une vitesse constante et régulière pour produire une couche uniforme. Commencer la pulvérisation après le début du déplacement et relâcher la détente avant la fin de la pulvérisation de la bande.
- Éviter de pulvériser une couche épaisse au même endroit. Plusieurs couches minces sont meilleures qu'une seule couche épaisse qui peut former des coulisses et des gouttes. Se rappeler que le bouton de commande de débit règle la quantité de liquide à pulvériser. Tourner le bouton de débit en sens antihoraire augmente le débit de liquide. Tourner le bouton en sens horaire réduit le débit de liquide. En cas de coulisses de peinture ou de formation de gouttes, passer un coup de pinceau sec pour les lisser.

**⚠ AVERTISSEMENT : RISQUE DE DÉCHARGE ÉLECTRIQUE.** S'il faut pulvériser en hauteur, ne jamais incliner le pulvérisateur de plus de 45 degrés. Le produit à pulvériser risque de fuir dans le boîtier du moteur.

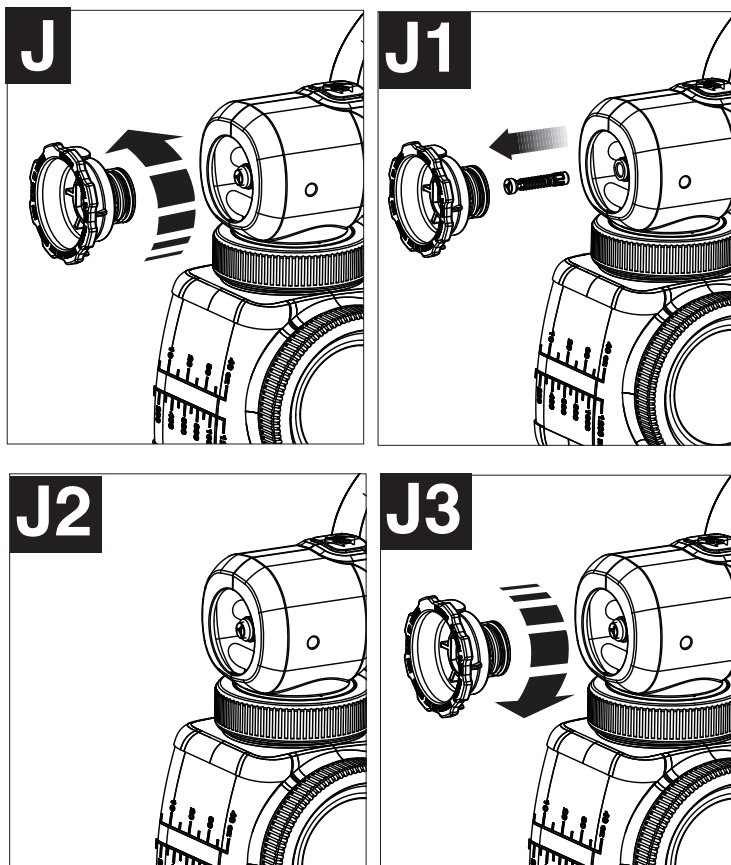
**CONSEIL : Si le clapet d'atomiseur n'est pas bien logé, le produit de pulvérisation fuira par l'arrière de la buse. Si le produit fuit, éteindre le pulvérisateur et le débrancher de la source d'alimentation immédiatement. Suivre ces étapes pour corriger le problème :**

- S'assurer que le pulvérisateur est débranché de la source d'alimentation. Tourner la buse de pulvérisation dans le sens antihoraire pour l'enlever (**figure J**). Pour la buse à jet en éventail, ne pas oublier de l'enfoncer, puis de la tourner dans le sens antihoraire pour l'enlever.

- Enlever l'atomiseur et vérifier s'il a besoin d'être nettoyé ou remplacé. Vérifier également l'intérieur du corps de pompe à la recherche de débris ou d'obstruction et nettoyer si c'est nécessaire (**figure J1**).

- Remettre le clapet de l'atomiseur en s'assurant qu'il est bien logé (**figure J2**).

- Visser de nouveau la buse de pulvérisation sur le pulvérisateur en la tournant dans le sens horaire (**figure J3**).



## NETTOYAGE

- ⚠ AVERTISSEMENT :** S'assurer d'utiliser l'équipement de protection approprié.
- S'assurer que l'aire de nettoyage est bien ventilée et exempte de vapeurs inflammables.
  - Toujours pulvériser à l'extérieur lors de l'utilisation d'une solution de nettoyage dans l'appareil.
  - Utiliser des toiles de protection au moment de verser et de mélanger la peinture à pulvériser et lors des essais de viscosité afin de protéger vos planchers et tout ce qui doit rester intact dans la zone de pulvérisation.

### POUR AMORCER LE NETTOYAGE :

- Débrancher le pulvérisateur de la source d'alimentation.



• Dévisser le couvercle sur le côté de la cartouche et verser tout liquide restant dans le contenant original (**figure K**).

• Verser une petite quantité d'une solution de nettoyage appropriée dans la cartouche (**figure K1**).

• Utiliser une eau savonneuse chaude pour les matières à base d'eau.

• Pour les matières à base d'huile, utiliser la solution de nettoyage recommandée par les fabricants.

• Revisser solidement le couvercle sur la cartouche et secouer vigoureusement le pulvérisateur.

• Dévisser le couvercle sur le côté de la cartouche et éliminer adéquatement la solution de nettoyage.

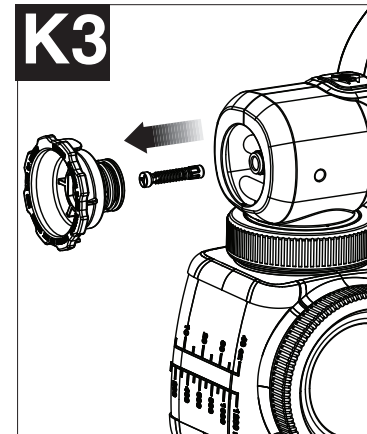
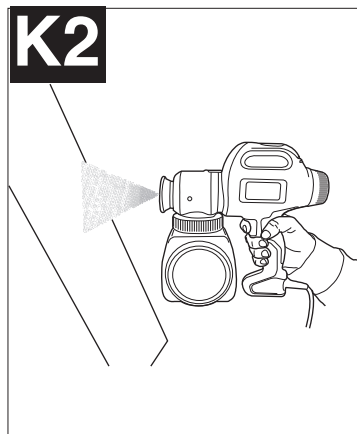
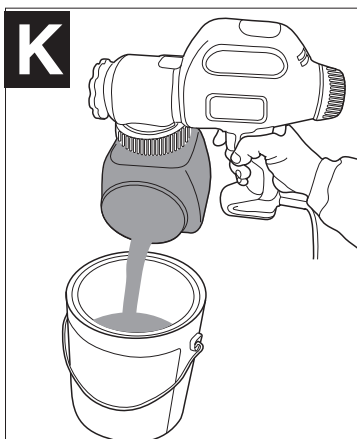
• **Remplir** la cartouche d'une petite quantité de solution de nettoyage fraîche (**figure K1**). Visser solidement le couvercle sur la cartouche.

• Brancher le cordon d'alimentation et pulvériser la solution de nettoyage, contenue dans le pulvérisateur, sur une matière mise au rebut, pendant 5 secondes (**figure K2**).

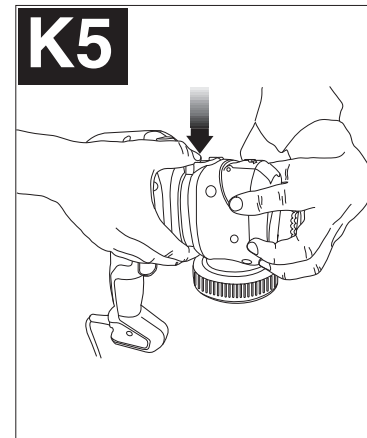
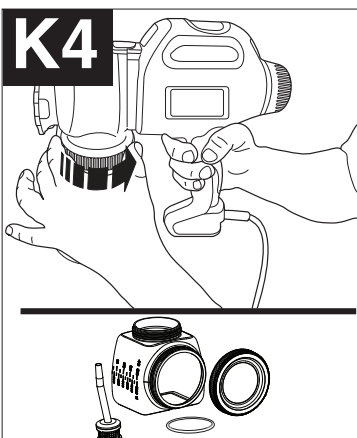
• Débrancher le pulvérisateur de la source d'alimentation.

• Éliminer adéquatement la solution de nettoyage.

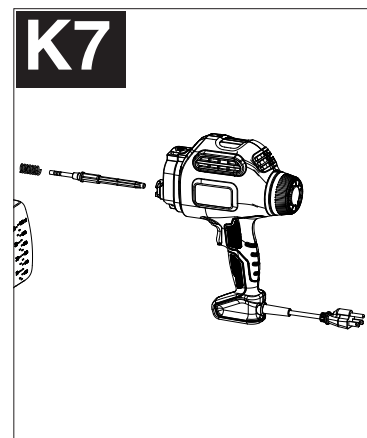
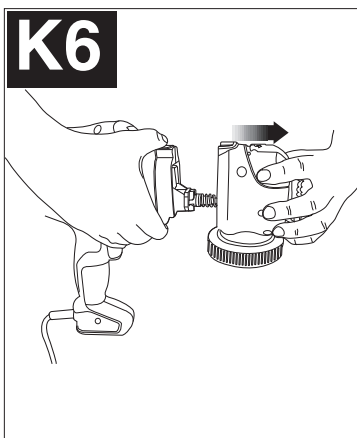
• Tourner la buse de pulvérisation dans le sens antihoraire pour l'enlever, puis enlever l'atomiseur (**figure K3**). Consulter les **figures C et C1**.



• Dévisser la cartouche du pulvérisateur en tournant la bague comme le montre la **figure K4**. Déposer le tube d'aspiration, le filtre et le joint torique du pulvérisateur. Nettoyer les pièces avec la brosse de nettoyage et la bonne solution de nettoyage.



• Déposer le boîtier avant du pulvérisateur. Pour ce faire, enfoncer le bouton de dégagement, puis dégager le boîtier avant du pulvérisateur en tirant dessus (**figures K5 et K6**).



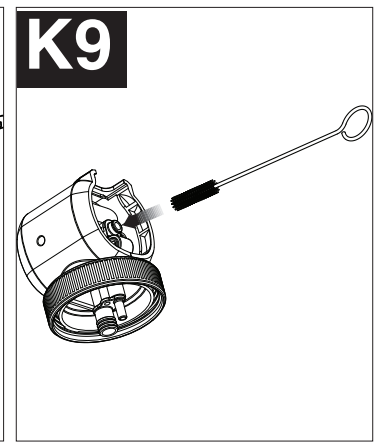
• Déposer le piston et le ressort (**figure K7**).

- Nettoyer la buse de pulvérisation, le tube d'aspiration et le filtre, l'atomiseur, le piston et le ressort au moyen de la brosse de nettoyage et d'une solution de nettoyage adéquate (figure K8).



- **Bien nettoyer** l'intérieur du barillet de pompe avec la brosse de nettoyage (figure K9).

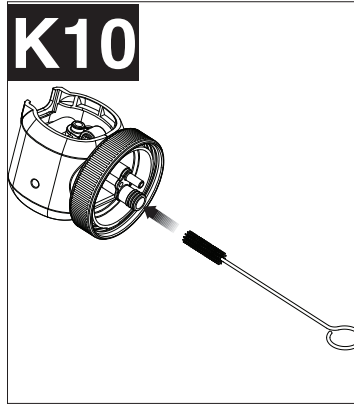
**IMPORTANT** : S'assurer d'éliminer toute la matière contenue à l'intérieur du barillet de pompe. Une petite quantité de matière qui n'est pas enlevée avec la brosse de nettoyage risque de durcir au fil du temps et de bloquer le mouvement du piston, causant ainsi des dommages au pulvérisateur.



- **Nettoyer en profondeur** l'intérieur des orifices d'admission et de retour avec la brosse de nettoyage (figure K10).

**IMPORTANT** : Nettoyer aussi en profondeur le petit orifice d'aération, illustré avec une flèche à la figure K11, avec la broche de nettoyage incluse.

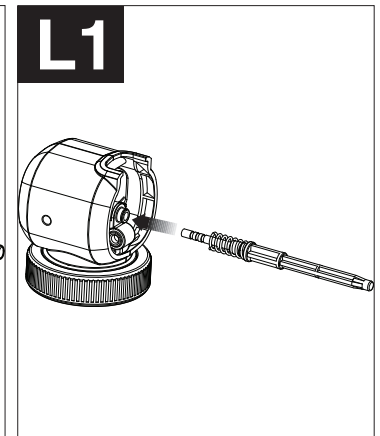
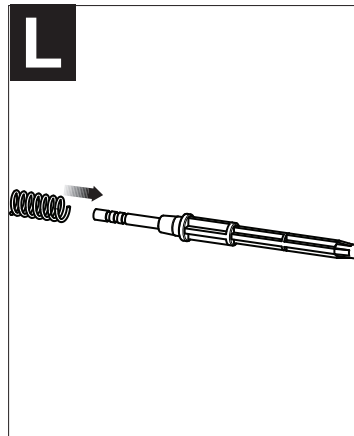
- Bien sécher toutes les pièces.



## RÉASSEMBLAGE

- Glisser le ressort sur la partie avant du piston (figure L).

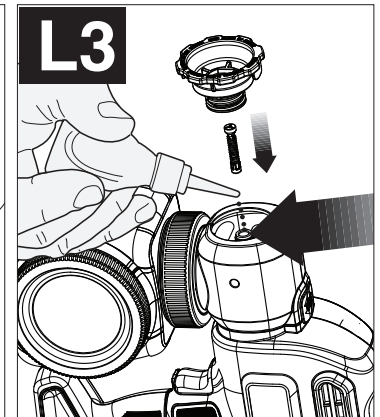
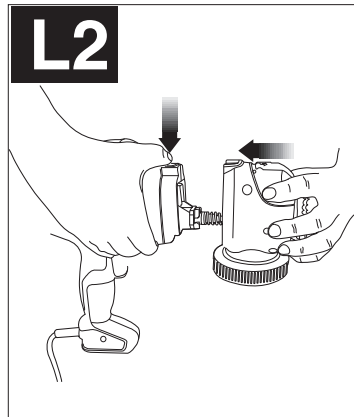
- Insérer le piston et le ressort dans le boîtier avant (figure L1).



- Enfoncer le bouton de dégagement, insérer le boîtier avant comprenant le piston dans le pulvérisateur, de manière à ce que le bouton s'enclenche en place (figure L2).

**AVIS** : L'unité ne peut pas être assemblée de nouveau si le piston et le ressort ne sont pas en place.

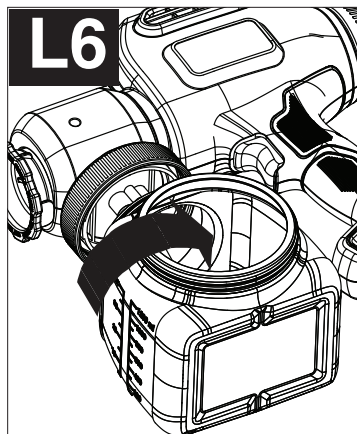
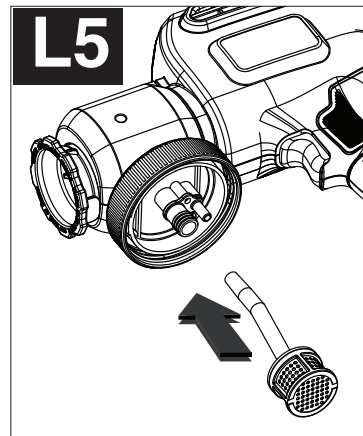
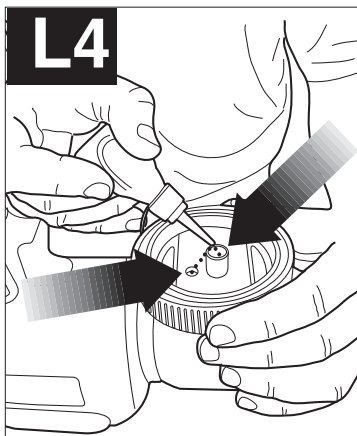
- Verser quelques gouttes d'huile dans l'ouverture du cylindre. Insérer le clapet d'atomiseur dans le boîtier avant. Visser la buse de pulvérisation sur le boîtier avant, puis la serrer manuellement (figure L3).



• Utiliser l'huile de graissage fournie et verser quelques gouttes d'huile dans les orifices d'admission et de sortie du pulvérisateur comme le montre la **figure L4**.

• Insérer le tube d'aspiration dans l'orifice d'admission du pulvérisateur (**figure L5**).

• Visser de nouveau la cartouche sur le pulvérisateur (**figure L6**) en s'assurant que les languettes de la cartouche s'alignent sur celles de la bague fileté. Le couvercle de remplissage latéral doit toujours se trouver du côté gauche du pulvérisateur.



## ENTRETIEN

N'utiliser qu'un détergent doux et un chiffon humide pour nettoyer le bloc d'alimentation. Ne jamais laisser de liquide pénétrer dans le bloc d'alimentation et n'immerger aucune pièce du bloc d'alimentation dans un liquide.

**IMPORTANT** : Pour garantir la SÉCURITÉ et la FIABILITÉ du produit, les réparations, l'entretien et le réglage (autre que ceux énumérés dans ce manuel) doivent être réalisés par un centre de réparation autorisé ou tout autre centre de réparation professionnel, et des pièces de rechange identiques doivent être utilisées.

## ACCESSOIRES

Les accessoires recommandés pouvant être utilisés avec l'outil sont disponibles auprès de votre distributeur local ou centre de réparation autorisé. Pour tout renseignement concernant les accessoires, composer le : **1 800 544-6986**.

**⚠ AVERTISSEMENT** : l'utilisation de tout accessoire non recommandé avec cet outil pourrait s'avérer dangereuse.

## INFORMATION SUR LES RÉPARATIONS

Tous les centres de réparation Black & Decker sont dotés de personnel qualifié en matière d'outillage électrique; ils sont donc en mesure d'offrir à leur clientèle un service efficace et fiable. Que ce soit pour un avis technique, une réparation ou des pièces de rechange authentiques installées en usine, communiquer avec l'établissement Black & Decker le plus près de chez vous. Pour trouver l'établissement de réparation de votre région, consulter le répertoire des Pages jaunes à la rubrique « Outils électriques » ou composer le numéro suivant : **1 800 544-6986** ou consulter le site [www.blackanddecker.com](http://www.blackanddecker.com)

**⚠ AVERTISSEMENT** : Toute réparation ne doit être effectuée que par des réparateurs professionnels.

**⚠ AVERTISSEMENT** : Pour réparer un outil, n'utiliser que des pièces de rechange identiques.

## GARANTIE

### Garantie complète de deux ans pour une utilisation domestique

Black & Decker (É.-U.) Inc. garantit ce produit pour une durée de deux ans contre tout défaut de matériau ou de fabrication. Le produit défectueux sera remplacé ou réparé sans frais de l'une des deux façons suivantes :

La première façon consiste en un simple échange chez le détaillant qui l'a vendu (pourvu qu'il s'agisse d'un détaillant participant). Tout retour doit se faire durant la période correspondant à la politique d'échange du détaillant (habituellement, de 30 à 90 jours après l'achat). Une preuve d'achat peut être requise. Vérifier auprès du détaillant pour connaître sa politique concernant les retours hors de la période définie pour les échanges.

La deuxième option est d'apporter ou d'envoyer le produit (transport payé d'avance) à un centre de réparation autorisé ou à un centre de réparation de Black & Decker pour faire réparer ou échanger le produit, à notre discrétion. Une preuve d'achat peut être requise. Les centres Black & Decker et les centres de service autorisés sont répertoriés dans les pages jaunes, sous la rubrique « Outils électriques ».

Cette garantie ne s'applique pas aux accessoires. Cette garantie vous accorde des droits légaux spécifiques et vous pourriez avoir d'autres droits qui varient d'un État ou d'une province à l'autre. Pour toute question, communiquer avec le directeur du centre de réparation Black & Decker le plus près de chez vous. Ce produit n'est pas destiné à un usage commercial.

**REPLACEMENT GRATUIT DES ÉTIQUETTES D'AVERTISSEMENT** : si les étiquettes d'avertissement deviennent illisibles ou sont manquantes, composer le **1 800 544-6986** pour en obtenir le remplacement gratuit. pages of the phone directory.

## DÉPANNAGE

Problème	Cause possible	Solution possible
• La matière coule ou dégoutte.	<ul style="list-style-type: none"> <li>• La couche pulvérisée est trop épaisse.</li> <li>• La pulvérisation est trop lente.</li> <li>• La pulvérisation est trop près de la surface.</li> <li>• La matière est trop liquide.</li> </ul>	<ul style="list-style-type: none"> <li>• Réduire le débit d'air en tournant le bouton de commande de débit.</li> <li>• Augmenter la vitesse d'application.</li> <li>• Augmenter la distance de la surface.</li> <li>• Vérifier les recommandations en matière de dilution.</li> </ul>
• Éclaboussure excessive.	<ul style="list-style-type: none"> <li>• Pulvérisateur trop éloigné de la surface.</li> <li>• Pulvérisation excessive de matière.</li> </ul>	<ul style="list-style-type: none"> <li>• Réduire la distance de la surface.</li> <li>• Réduire le débit d'air en tournant le bouton de commande de débit.</li> </ul>
• Trop peu de matière pulvérisée ou aucune matière pulvérisée.	<ul style="list-style-type: none"> <li>• Buse de pulvérisation/chapeau d'air obstrué.</li> <li>• Tube d'aspiration lâche ou obstrué.</li> <li>• Réglage trop faible du bouton de commande de débit.</li> <li>• Matière trop épaisse.</li> </ul>	<ul style="list-style-type: none"> <li>• Nettoyer les buses.</li> <li>• Vérifier le tube.</li> <li>• Augmenter le réglage du débit.</li> <li>• Vérifier les recommandations en matière de viscosité.</li> </ul>
• La matière pulvérisée éclabousse.	<ul style="list-style-type: none"> <li>• La viscosité de la matière est trop élevée.</li> </ul>	<ul style="list-style-type: none"> <li>• Diluer la matière selon les recommandations du fabricant.</li> </ul>
• Le pulvérisateur vibre.	<ul style="list-style-type: none"> <li>• La cartouche est presque vide.</li> </ul>	<ul style="list-style-type: none"> <li>• Remplir la cartouche.</li> </ul>
• Du liquide s'échappe sur le côté de la cartouche.	<ul style="list-style-type: none"> <li>• Le couvercle est mal inséré ou pas assez serré.</li> <li>• Traces de peinture sur le filetage de la cartouche et le couvercle.</li> </ul>	<ul style="list-style-type: none"> <li>• Déposer le couvercle et le réinsérer bien droit, puis le visser solidement.</li> <li>• Nettoyer le dessus et les côtés de la cartouche et du couvercle.</li> </ul>
• Le moteur fonctionne bien, mais il n'y a pas de pulvérisation.	<ul style="list-style-type: none"> <li>• Clapet d'atomiseur bouché ou usé.</li> <li>• Clapet d'atomiseur manquant.</li> <li>• Matière trop épaisse.</li> <li>• Buse de pulvérisation bouchée.</li> <li>• Filtre d'admission bouché.</li> <li>• Le bouton de réglage doit être ajusté.</li> <li>• Piston usé.</li> </ul>	<ul style="list-style-type: none"> <li>• Nettoyer ou remplacer au besoin.</li> <li>• Installer un clapet d'atomiseur.</li> <li>• Matière mince.</li> <li>• Nettoyer la buse.</li> <li>• Nettoyer le filtre d'admission.</li> <li>• Ajuster le bouton.</li> <li>• Nettoyer et huiler ou remplacer.</li> </ul>
• Ne peut assembler de nouveau l'unité.	<ul style="list-style-type: none"> <li>• Une étape d'assemblage a été sautée.</li> </ul>	<ul style="list-style-type: none"> <li>• Insérer le ressort et le piston dans le boîtier avant le réassemblage de l'unité.</li> <li>• Enfoncer le bouton de dégagement et le maintenir dans cette position durant le réassemblage.</li> </ul>

Pour de l'aide avec l'outil, consulter notre site Web [www.blackanddecker.com](http://www.blackanddecker.com) pour l'emplacement du centre de réparation le plus près ou communiquer avec l'assistance BLACK & DECKER au **1 800 544-6986**.

Imported by / Importé par  
Black & Decker Canada Inc.  
100 Central Ave.  
Brockville (Ontario) K6V 5W6

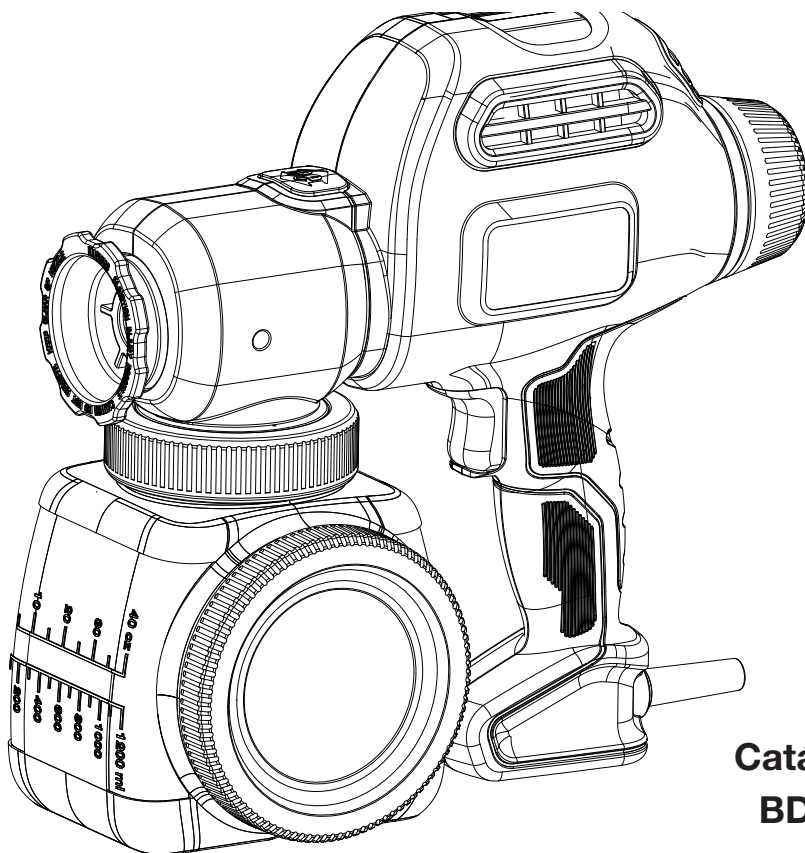
Voir la rubrique "Outils électriques"  
des Pages Jaunes  
pour le service et les ventes.





**PULVERIZADOR DE PINTURA ELÉCTRICO**

## **MANUAL DE INSTRUCCIONES**



**Catálogo N°  
BDPS200**

**Gracias por elegir Black & Decker!  
Visite [www.BlackandDecker.com/NewOwner](http://www.BlackandDecker.com/NewOwner)  
para registrar su nuevo producto.**

### **LEA EL MANUAL ANTES DE DEVOLVER ESTE PRODUCTO POR CUALQUIER MOTIVO:**

Si tiene una consulta o algún inconveniente con su producto Black & Decker, visite  
**[HTTP://WWW.BLACKANDDECKER.COM/INSTANTANSWERS](http://www.BLACKANDDECKER.COM/INSTANTANSWERS)**  
para obtener respuestas instantáneas las 24 horas del día.

Si no encuentra la respuesta o no tiene acceso a Internet, llame al 1-800-544-6986 de  
lunes a viernes de 8 a. m. a 5 p. m. hora del Este para hablar con un agente.

Cuando llame, tenga a mano el número de catálogo.

**CONSERVE ESTE MANUAL PARA FUTURAS CONSULTAS.**

Normas de seguridad: Definiciones .....	31
Instrucciones de seguridad importantes .....	31
Advertencias de seguridad general .....	32
Instrucciones de conexión a tierra .....	32
Cables prolongadores .....	33
Componentes .....	34
Instalación .....	35
Selección de la boquilla de pulverización adecuada .....	35
Instalación de las boquillas de pulverizaciones .....	35
Ajuste de la boquilla de pulverización tipo abanico.....	35
Preparación de materiales líquidos.....	36
Consejos de preparación .....	36
Llenado del depósito.....	36
Ajustes de control de flujo.....	37
Funcionamiento .....	37
Interruptor de encendido/apagado .....	37
Técnica de pulverización .....	37
Limpieza .....	38
Reensamblaje .....	40
Mantenimiento .....	41
Accesorios.....	41
Información de mantenimiento.....	41
Garantía .....	41
Detección de problemas .....	42

## PAUTAS DE SEGURIDAD/DEFINICIONES

Es importante que lea y comprenda este manual. La información que contiene se relaciona con la protección de SU SEGURIDAD y la PREVENCIÓN DE PROBLEMAS. Los símbolos que siguen se utilizan para ayudarlo a reconocer esta información.

**⚠ PELIGRO:** indica una situación de peligro inminente que, si no se evita, provocará la muerte o lesiones graves.

**⚠ ADVERTENCIA:** indica una situación de peligro potencial que, si no se evita, provocará la muerte o lesiones graves.

**⚠ PRECAUCIÓN:** indica una situación de peligro potencial que, si no se evita, provocará lesiones leves o moderadas.

**AVISO:** utilizado sin el símbolo de alerta de seguridad indica una situación de peligro potencial que, si no se evita, puede provocar daños en la propiedad.

Las siguientes son explicaciones de importantes gráficos de los peligros para la seguridad contenidos en este manual.



1. Lea y comprenda el manual de instrucciones.



4. Peligro para las vías respiratorias.



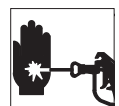
2. Peligro de incendio.



5. Peligro de descarga eléctrica.



3. Peligro de explosión.



6. Peligro de inyección en la piel.

## INSTRUCCIONES DE SEGURIDAD IMPORTANTES

**CONSERVE ESTAS INSTRUCCIONES:** Para reducir los peligros de incendio o explosión, descarga eléctrica y lesiones a personas, lea y comprenda todas las instrucciones incluidas en este manual. Familiarícese con los controles y con el uso adecuado del equipo.

• Este producto está diseñado únicamente para uso doméstico.



**⚠ ADVERTENCIA: PELIGRO DE INCENDIO O EXPLOSIÓN.** Los vapores de los solventes y los materiales pulverizados pueden explotar o encenderse. Esto puede provocar lesiones graves o daños a la propiedad.

**Para evitar estos peligros, tome las precauciones siguientes:**

- Se deberá evacuar el aire e introducir aire fresco para mantener el aire en el área de pulverización libre de la acumulación de vapores inflamables.
- Evite todas las fuentes de ignición como las chispas de la electricidad estática, las llamas expuestas, las llamas piloto, los objetos calientes, los productos de tabaco encendidos y las chispas producidas por la conexión y desconexión de cables de alimentación o interruptores de luz de trabajo.
- Deberá haber presentes equipos de extinción de incendios y estos deben estar en buenas condiciones.
- Respete las precauciones y advertencias de seguridad del fabricante de los materiales y los solventes.
- No pulverice materiales inflamables o combustibles cerca de una llama expuesta o de fuentes de ignición como productos de tabaco encendidos, motores y equipos eléctricos.
- Infórmese del contenido de los materiales pulverizados y de sus solventes de limpieza. Lea todas las hojas de datos de seguridad del material (HDSM) y las etiquetas de los envases que vienen con el material pulverizado y los solventes. Siga las instrucciones de seguridad del fabricante para los materiales pulverizados y los solventes.



**⚠ ADVERTENCIA: PELIGRO DE EXPLOSIÓN DEBIDO A MATERIALES INCOMPATIBLES.** Esto puede provocar lesiones graves o daños a la propiedad.

**Para evitar estos peligros, tome las precauciones siguientes:**

- No utilice lejía.
- No utilice solventes de hidrocarburo halogenado como el cloruro de metileno y el 1,1,1-tricloroetano. Estos no son compatibles con el aluminio y pueden provocar una explosión. Si no está seguro de la compatibilidad de un material con el aluminio, comuníquese con el proveedor del revestimiento.



**⚠ ADVERTENCIA: VAPORES PELIGROSOS.** Los materiales pulverizados, los solventes, los insecticidas y otros materiales pueden ser perjudiciales si se inhalan o entran en contacto con el cuerpo. Los vapores pueden provocar graves náuseas, desmayos o envenenamiento.

**Para evitar estos peligros, tome las precauciones siguientes:**

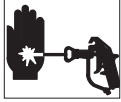
- Utilice un respirador o máscara si se pueden inhalar los vapores. Lea todas las instrucciones que vienen con la máscara para asegurarse de que proporcionará la protección necesaria.
- Use anteojos de protección.
- Use ropa de protección según lo requiera el fabricante del revestimiento.



**⚠ ADVERTENCIA: PELIGRO DE DESCARGA ELÉCTRICA.** Puede provocar lesiones graves.

**Para evitar estos peligros, tome las precauciones siguientes:**

- Mantenga el enchufe del cable eléctrico y el gatillo del pulverizador libres del material pulverizado y de otros líquidos. Nunca sostenga el cable por las conexiones del enchufe para sujetar el mismo. El incumplimiento de esta instrucción puede provocar una descarga eléctrica.
- Nunca sumerja las piezas eléctricas en agua ni en ningún otro líquido. Pase un paño húmedo por el exterior del pulverizador para limpiarlo. Siempre asegúrese de que el pulverizador esté desenchufado antes de desarmarlo para limpiarlo.
- No esponga la unidad a la lluvia ni a condiciones de humedad.
- No maltrate al cable. Nunca use el cable para transportar la unidad ni para sacar el enchufe del tomacorriente. Mantenga el cable alejado del calor, el aceite, los bordes filosos o las piezas móviles. Reemplace los cables dañados inmediatamente.



**⚠ ADVERTENCIA: PELIGRO DE INYECCIÓN EN LA PIEL.** Puede provocar lesiones graves.

**Para evitar estos peligros, tome las precauciones siguientes:**

- NUNCA apunte el pulverizador a ninguna parte del cuerpo.
- No apunte el pulverizador ni pulverice con éste a ninguna persona o animal.
- NUNCA permita que ninguna parte del cuerpo entre en contacto con el flujo de líquido.
- NUNCA ponga su mano en frente del pulverizador. Use guantes. Los guantes no brindarán protección contra una lesión por inyección.
- Mantenga las manos y otras partes del cuerpo alejadas de la descarga. Por ejemplo, no intente detener una fuga con ninguna parte del cuerpo.
- Siempre desenchufe el pulverizador antes de efectuar mantenimiento, limpieza del protector para puntas, cambio de puntas o dejarlo sin supervisión.
- Siempre utilice el protector para puntas de boquilla. No pulverice sin el protector para puntas de boquilla instalado correctamente.

## ADVERTENCIAS DE SEGURIDAD GENERAL

**⚠ ADVERTENCIA: GENERAL.** Puede provocar lesiones graves o daños a la propiedad.

**Para evitar estos peligros, tome las precauciones siguientes:**

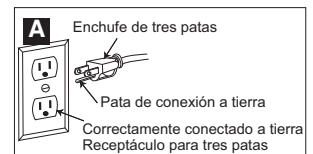
- No apunte el pulverizador ni pulverice con ella a ninguna persona, incluido usted mismo, o animal.
- No pulverice al aire libre en días ventosos.
- Use ropa de protección para mantener el material pulverizado lejos de la piel y el cabello.
- La manguera puede calentarse y provocar quemaduras en la piel.
- Respete todos los códigos locales, estatales y nacionales correspondientes que rigen la ventilación, la prevención de incendios y el funcionamiento.
- Siempre use guantes, protección para los ojos y un respirador o máscara adecuados al pulverizar, diluir, mezclar, verter o limpiar.
- No opere ni pulverice cerca de niños. Mantenga a los niños alejados del equipo en todo momento. Mantenga el pulverizador fuera del alcance de los niños.
- No se estire ni se pare sobre una base inestable. Conserve el equilibrio y párese adecuadamente en todo momento.
- Manténgase alerta y fíjese en lo que está haciendo.
- No opere la unidad cuando esté cansado o bajo la influencia de alcohol o drogas.
- Lea todas las instrucciones y las precauciones de seguridad para el equipo y el material de pulverización antes de operar cualquier equipo.
- Para uso prolongado, se recomienda el uso de protección para los oídos.

## INSTRUCCIONES DE CONEXIÓN A TIERRA

Este producto deberá conectarse a tierra. En el caso de un cortocircuito, la conexión a tierra reduce el riesgo de descarga eléctrica al proveer un alambre de escape para la corriente eléctrica. Este producto está equipado con un cable que tiene un alambre de conexión a tierra con un enchufe de conexión a tierra adecuado. El enchufe se deberá utilizar con un tomacorriente que esté debidamente instalado y conectado a tierra de acuerdo con todos los códigos y las ordenanzas locales.



**⚠ ADVERTENCIA: PELIGRO DE DESCARGA ELÉCTRICA.** La instalación incorrecta del enchufe de conexión a tierra puede dar como resultado un peligro de descarga eléctrica. Cuando se requiera la reparación o reemplazo del cable o el enchufe, no conecte el alambre de conexión a tierra a ninguno de los terminales de pata plana. El alambre con aislante que tiene una superficie exterior de color verde, con o sin bandas amarillas, es el alambre de conexión a tierra.



Este producto es para uso en un circuito con un voltaje nominal de 120 V y tiene un enchufe de conexión a tierra similar al ilustrado. Conecte el producto únicamente a un tomacorriente que tenga la misma configuración que el enchufe.

No utilice un adaptador con este producto.



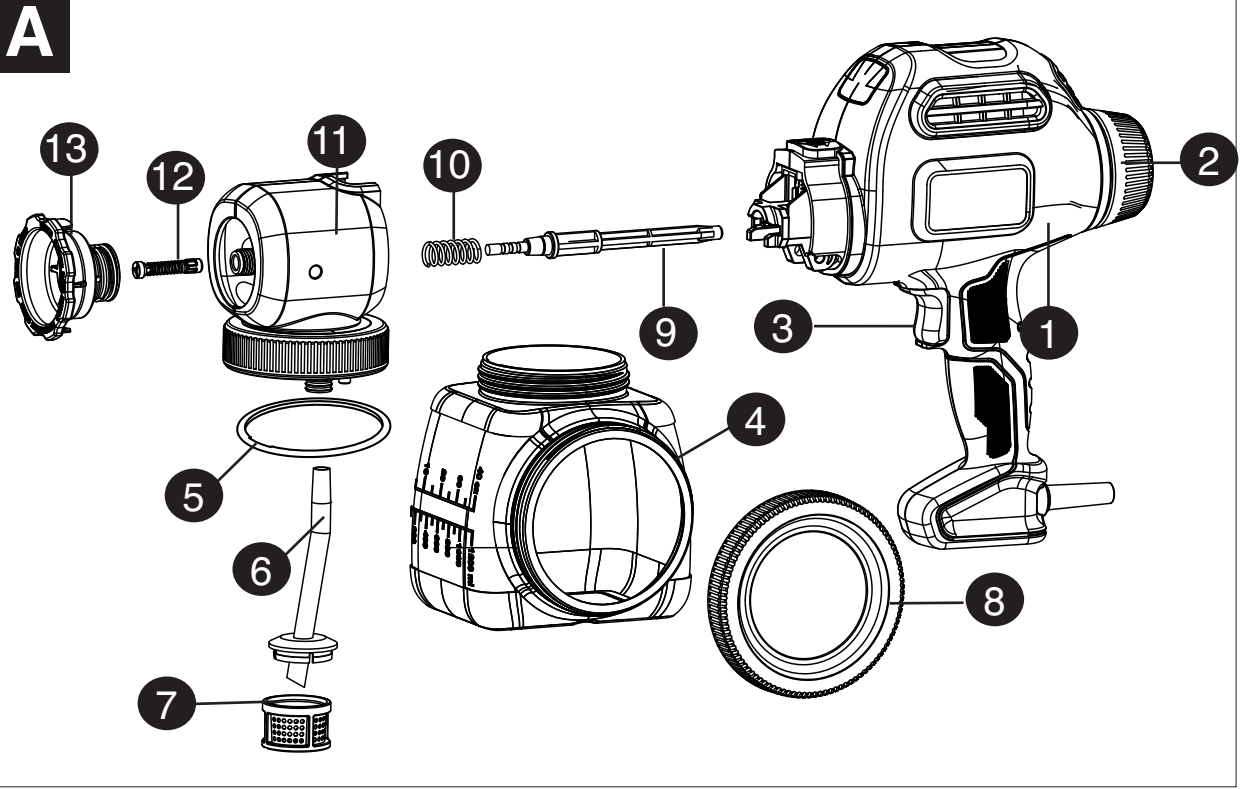
Recurra a un electricista o un encargado de mantenimiento calificado cuando las instrucciones de conexión a tierra no se entiendan por completo o cuando tenga dudas de que el producto esté debidamente conectado a tierra. No modifique el enchufe provisto; si éste no es compatible con el tomacorriente, solicite a un electricista calificado que instale el tomacorriente adecuado.

## CABLES PROLONGADORES

Utilice únicamente un cable prolongador trifilar que tenga un enchufe de conexión a tierra de 3 patas y un receptáculo de 3 ranuras compatible con el enchufe del producto. Asegúrese de que el cable prolongador esté en buenas condiciones. Cuando utilice un cable prolongador, cerciórese de que tenga la capacidad para conducir la corriente que su producto exige. Un cable de menor capacidad provocará una caída en el voltaje de la línea, lo cual producirá una pérdida de potencia y sobrecalentamiento. Si va a utilizarse un cable prolongador al aire libre, éste deberá estar marcado con el sufijo W-A de acuerdo con la designación del tipo de cable. Por ejemplo, una designación SJTW-A indicaría que el cable es adecuado para uso al aire libre. Consulte la tabla a continuación para conocer los cables con la capacidad adecuada.

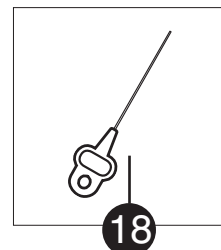
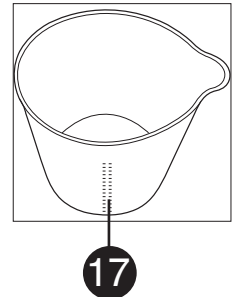
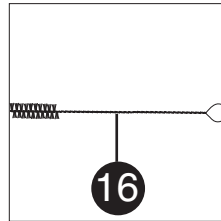
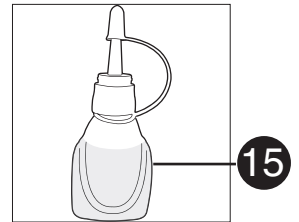
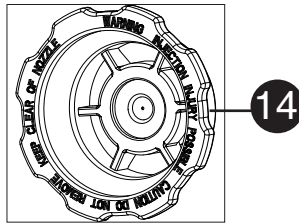
<b>Calibre mínimo para cables de extensión</b>					
<b>Volts</b>	<b>Longitud total del cable en pies</b>				
120V	0-25	26-50	51-100	101-150	
	(0-7,6m)	(7,6-15,2m)	(15,2-30,4m)	(30,4-45,7m)	
240V	0-50	51-100	101-200	201-300	
	(0-15,2m)	(15,2-30,4m)	(30,4-60,9m)	(60,9-91,4m)	
<b>Amperaje</b>					
Más de		No más de		American Wire Gage	
0	- 6	18	16	16	14
6	- 10	18	16	14	12
10	- 12	16	16	14	12
12	- 16	14	12	No se recomienda	

**⚠ ADVERTENCIA:** Algunos materiales pulverizados contienen sustancias químicas reconocidas por el Estado de California como causantes de cáncer, defectos de nacimiento u otros problemas reproductivos. Para reducir la exposición, use equipos de seguridad apropiados, como máscaras faciales, guantes y otros equipos de protección adecuados. Revise y respete las precauciones de seguridad que aparecen en el recipiente del material pulverizado.



**DESCRIPCIÓN DE LAS FUNCIONES**

- 1.) Pulverizador de pintura
- 2.) Perilla de control de flujo
- 3.) Gatillo
- 4.) Depósito de llenado lateral
- 5.) Junta tórica
- 6.) Tubo de recogida
- 7.) Filtro del tubo de recogida
- 8.) Tapa
- 9.) Émbolo
- 10.) Resorte del émbolo
- 11.) Ensamblaje del cuerpo de la válvula
- 12.) Válvula atomizadora
- 13.) Boquilla tipo abanico (verde)
- 14.) Boquilla cónica (azul)
- 15.) Aceite lubricante
- 16.) Cepillo de limpieza
- 17.) Cubo para mezcla
- 18.) Aguja de limpieza



# INSTALACIÓN

**⚠ ADVERTENCIA:** Asegúrese de usar el equipo protector adecuado y desenchufe la unidad.

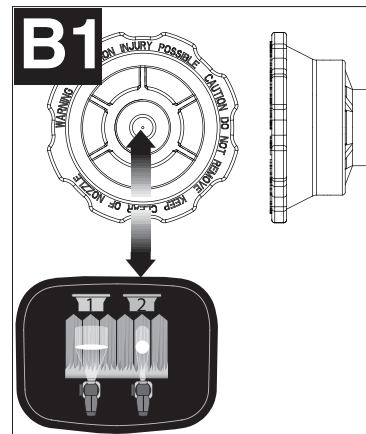
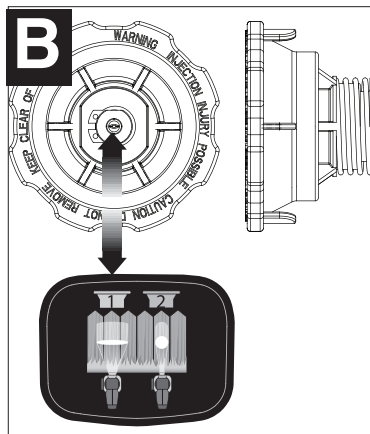
**⚠ ADVERTENCIA:** Asegúrese de que el área esté bien ventilada y sin vapores inflamables.

## SELECCIÓN DE LA BOQUILLA DE PULVERIZACIÓN ADECUADA

### (FIGURAS B Y B1)

El pulverizador incluye dos boquillas estándar que siguen un código de colores para facilitar su identificación.

**Boquilla tipo abanico (ancha) (verde; Figura B):** Esta boquilla tiene instalado un resorte en la parte posterior que permite realizar ajustes para pulverizar tanto vertical como horizontalmente. Además, posee lengüetas en el costado que coinciden con el patrón de pulverización cuando se ajustan para pulverizar de un lado a otro y de arriba a abajo. Esta es la boquilla de pulverización que se identifica con el número 1 en el diagrama en la parte superior del pulverizador.



**Boquilla cónica (azul; Figura B1):** El patrón de pulverización de la boquilla cónica es más concentrado. Utilice esta boquilla para elementos que son demasiado pequeños para la boquilla tipo abanico. Esta es la boquilla de pulverización que se identifica con el número 2 en el diagrama que se encuentra en la parte superior del pulverizador.

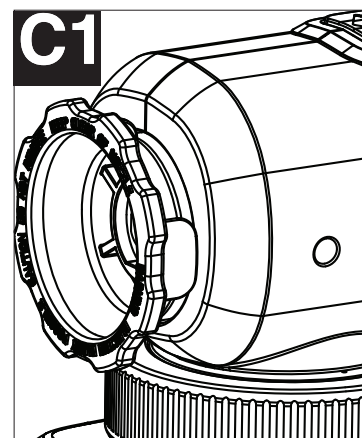
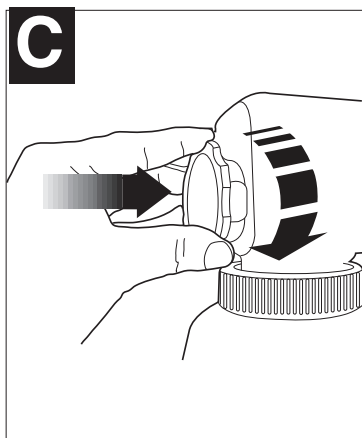
## INSTALACIÓN DE LAS BOQUILLAS DE PULVERIZACIÓN (FIGURAS C Y C1)

### Para instalar la boquilla de pulverización tipo abanico verde:

- Asegúrese de que el cable esté desenchufado.
- Enrosque la boquilla sobre el eje hasta que sienta una leve resistencia (alrededor de 10 vueltas completas).
- Empuje la boquilla accionada por resorte y gírela hasta que se asiente por completo (Figura C).

• Cuando la boquilla esté bien asentada, el resorte en la parte posterior de la boquilla hará que ésta salga levemente al soltarla (Figura C1).

- Asegúrese de que la boquilla de pulverización tipo abanico se haya enroscado por completo (únicamente a mano). Si no está bien asentada puede presentar fugas o la boquilla puede dañarse.



### Para quitar la boquilla de pulverización verde tipo abanico:

- Empuje la boquilla y gírela hacia la izquierda.

### Para instalar la boquilla de pulverización cónica azul:

- Enrosque la boquilla sobre el eje hasta que se asiente por completo.
- Asegúrese de que la boquilla de pulverización cónica se haya enroscado por completo (únicamente a mano). Si no está bien asentada puede presentar fugas o la boquilla puede dañarse.

## AJUSTE DE LA BOQUILLA DE PULVERIZACIÓN TIPO ABANICO (FIGURAS D Y D1)

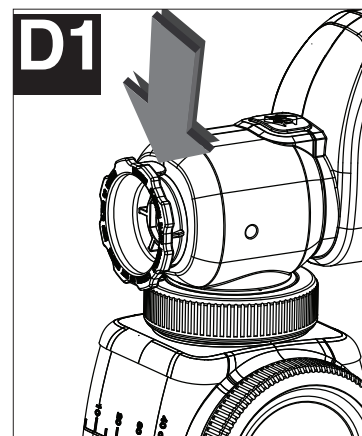
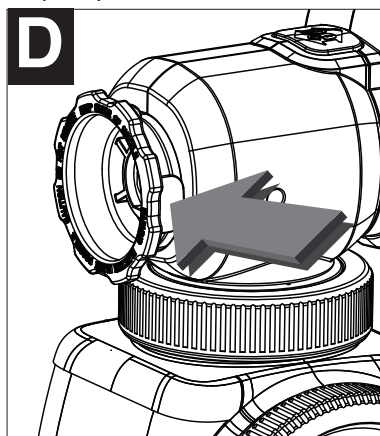
### Para ajustar la boquilla de pulverización tipo abanico:

- Asegúrese de que el cable esté desenchufado y que la boquilla de pulverización tipo abanico se haya ajustado a mano por completo.

• La boquilla de pulverización tipo abanico posee dos lengüetas que se alinean para indicar las posiciones vertical y horizontal.

• Si va a pulverizar de un lado a otro, ajuste boquilla para alinear la marca vertical como se muestra en la Figura D.

• Si va a pulverizar de arriba a abajo, ajuste boquilla para alinear la marca horizontal como se muestra en la Figura D1.



**⚠ PRECAUCIÓN:** No comprima ni empuje el resorte cuando ajuste el patrón tipo abanico. La boquilla debe girar y no soltarse.

**⚠ PRECAUCIÓN:** No comprima ni empuje el resorte cuando ajuste el patrón tipo abanico. La boquilla debe girar y no soltarse.

## PREPARACIÓN DE MATERIALES LÍQUIDOS (FIGURAS E Y E1)

**CONSEJO:** Asegúrese de que el tipo de material que utiliza se pueda limpiar con alcoholes minerales o diluyente (para pinturas a base de aceite) o una solución de agua tibia y jabón (para pinturas solubles en agua como el látex). Para proteger los pisos y cualquier otra cosa en el área de pulverización que desee mantener intacta, utilice paños atrapagotas al verter, mezclar y probar la viscosidad de los materiales que se van a pulverizar.

Es posible que se necesite diluir el líquido a pulverizar antes de comenzar. Al diluir, utilice el diluyente líquido apropiado recomendado en el envase por el fabricante del material y en la proporción de dilución adecuada.

**⚠ ADVERTENCIA:** No utilice materiales con un punto de ignición superior a 60 °C (140 °F).

Se proporciona un cubo para mezcla de 2,6 l (2-3/4 cuartos de galón) para transferir material de pulverización desde el envase original al cubo para fines de dilución y medición (**Figura E**).

- Si el material necesita dilución, agregue el material diluyente líquido apropiado recomendado por el fabricante (**Figura E1**).
- El vaso de llenado para limpieza rápida tiene una capacidad de 73,9 cc (2,5 onzas). Éste puede utilizarse como una medida rápida para diluir al 5% en el depósito de llenado lateral.
- Es posible pulverizar pintura látex con esta unidad; sin embargo, la dilución requerida tal vez exceda la recomendación del fabricante del material. El operador debe considerar el tipo de aplicación y la ubicación final del proyecto al pulverizar.



## PROPORCIONES COMUNES DE DILUCIÓN EN LATAS DE PINTURA

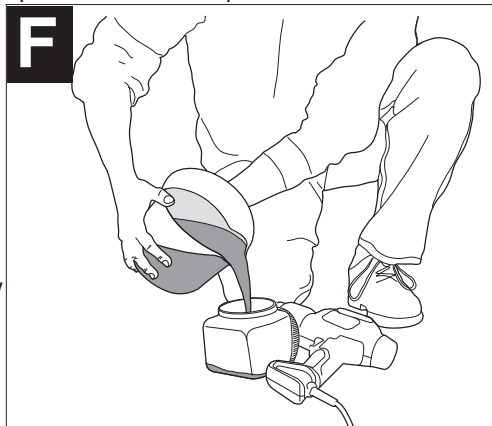
SUGERIDAS POR LOS FABRICANTES	CENTÍMETROS CÚBICOS POR 3,8 LITROS (ONZAS POR GALÓN)
0,24 L (1/2 pinta)	237 cc (8 onzas)
5%	192 cc (6-1/2 onzas)
10%	384 cc (13 onzas)

## CONSEJOS DE PREPARACIÓN

- En cada trabajo de pulverización, siempre debe asegurarse de haber preparado correctamente la superficie para obtener el mejor acabado. Es decir, que todas las superficies estén libres de polvo, suciedad, óxido y grasa. Lave a baja presión las cubiertas o las superficies exteriores y asegúrese de que estén secas antes de pulverizar.
- Se recomienda cubrir todos los bordes y demás áreas con cinta protectora y utilizar paños atrapagotas para proteger los pisos y cualquier otra cosa en el área de pulverización que desee mantener intacta.
- La película que se forma en la parte superior de la pintura puede obstruir el pulverizador. Elimine la película antes de mezclar. Si el material es antiguo, posiblemente necesite colarlo usando un embudo con filtro incorporado o a través de calcetería para eliminar toda impureza que pudiera obstruir el sistema.
- Antes de comenzar, disponga de guantes, toallas de papel, trapos, etc. para derrames inesperados.

## LLENADO DEL DEPÓSITO (FIGURA F)

- Revise para asegurarse de que el depósito esté completamente enroscado sobre el pulverizador.
- Apoye el pulverizador sobre un costado con la tapa lateral del depósito mirando hacia arriba.
- Desenrosque la tapa del costado del depósito.
- Vierta el material a pulverizar debidamente diluido y colado dentro del depósito de llenado lateral (**Figura F**). **CONSEJO:** Utilice el cubo para mezcla provisto para verter el material desde el envase original al depósito de llenado lateral.
- Limpie todo residuo de líquido de las roscas o los lados del depósito y el pulverizador.
- Con las roscas bien alineadas, enrosque la tapa completamente sobre el depósito de llenado lateral. Revise la tapa para asegurarse de que esté pareja y completamente enroscada antes de tomar el pulverizador.



## AJUSTES DE CONTROL DE FLUJO

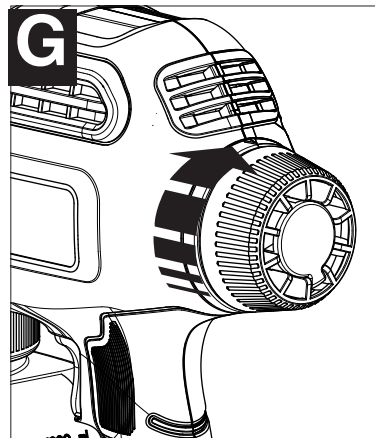
### PERILLA DE CONTROL DE FLUJO (FIGURA G)

La perilla de control de flujo regula la cantidad de líquido que se puede pulverizar.

- Seleccione bajo (1), mediano (5) o alto (9) con la perilla de control de flujo.

**CONSEJO:** Siempre pruebe el patrón de pulverización primero sobre cartón desechable o un material similar. Comience con la perilla de control de flujo en el ajuste de flujo más alto. Los materiales más pesados y más gruesos deben pulverizarse con el ajuste más alto cercano al N.º 9.

Los materiales más delgados deben pulverizarse con el ajuste más bajo cercano al N.º 1.



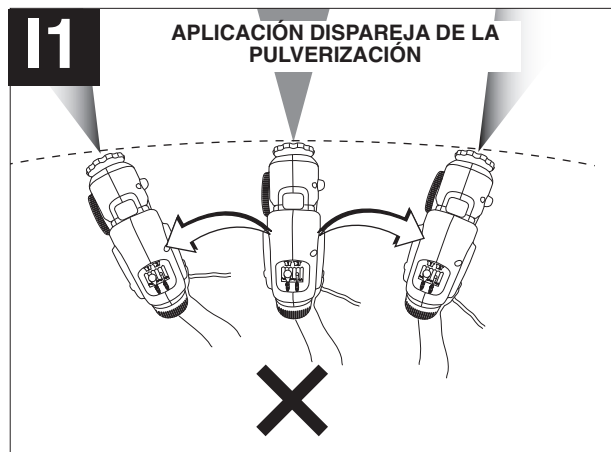
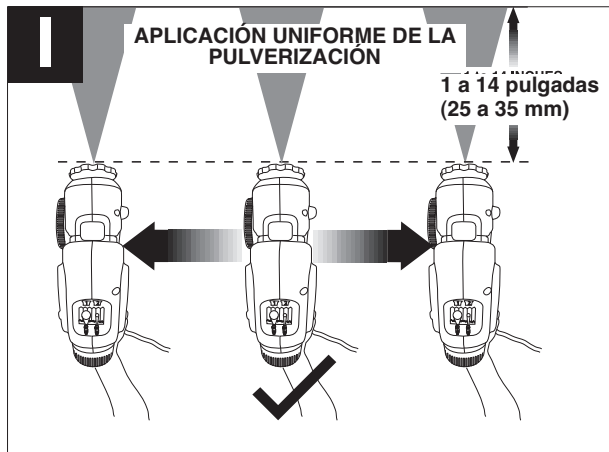
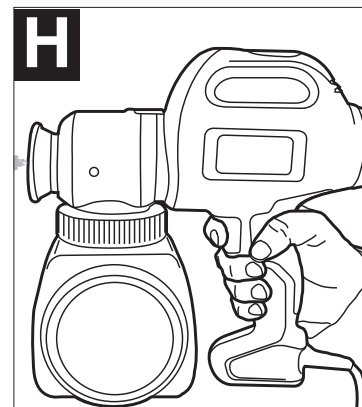
## FUNCIONAMIENTO

### GATILLO DE ENCENDIDO/APAGADO (FIGURA H)

El pulverizador se enciende y se paga mediante el gatillo.

- Para encender el pulverizador, oprima el gatillo.
- Para apagar el pulverizador, suelte el gatillo.

**⚠ ADVERTENCIA:** Riesgo de lesión. Nunca apunte el pulverizador a ninguna parte del cuerpo. Nunca oprima el gatillo mientras regula el ajuste de pulverización.



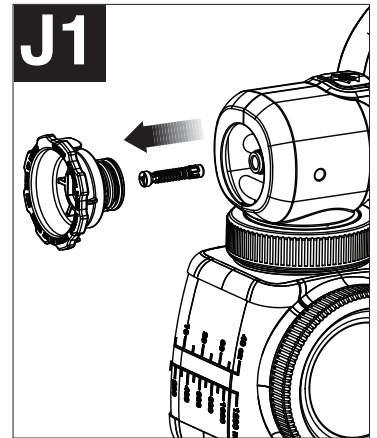
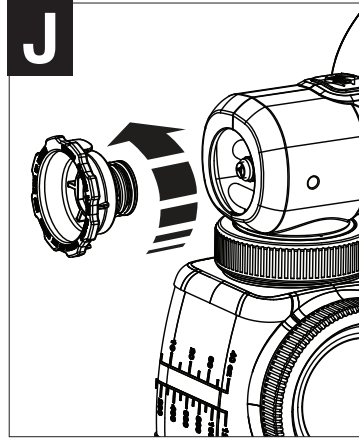
## DESARROLLO DE LA TÉCNICA DE PULVERIZACIÓN ADECUADA

- Practique la pulverización sobre una pieza de material desechable como un cartón para probar el patrón de pulverización y familiarizarse con los ajustes de velocidad y las funciones de control de flujo del pulverizador.
- Asegúrese de que la superficie a pulverizar esté libre de polvo, suciedad y grasa.
- Asegúrese de que el área de pulverización esté limpia y libre de polvo que podría soplar sobre las superficies recién pintadas.
- Cubra todas las áreas que no vaya a pulverizar.
- Siempre pulverice desde una distancia mínima de 25 mm (1 pulgada) hasta una distancia máxima de 356 mm (14 pulgadas) (Figura I). Por lo general, lo óptimo es alrededor de 254 mm (10 pulgadas) o utilice una varilla para revolver pintura como referencia.
- Un método comúnmente utilizado para pulverizar una superficie grande es el patrón “entrecruzado”. Esto se hace pulverizando en franjas horizontales y luego cruzando sobre éstas con franjas verticales.

- Para lograr una distribución uniforme de la pulverización, siempre mantenga su brazo a la misma distancia (**Figura I**) de la superficie que pulveriza y evite mover su muñeca (**Figura I1**).
- Mantenga una velocidad suave y constante que le ayudará a evitar inconsistencias. Comience a pulverizar después de iniciar la pasada y suelte el gatillo antes de terminar la pasada.
- Evite pulverizar demasiado en una sola área. Varias capas más delgadas son mejores que una capa gruesa que puede producir escurrimiento y goteo. Recuerde que la perilla de control de flujo regula la cantidad de líquido que se puede pulverizar. Al girar la perilla de flujo en sentido contrario a las agujas del reloj se aumenta el flujo de líquido. Al girar la perilla en el sentido de las agujas del reloj se reduce el flujo de líquido. Si se producen escurrimientos o goteos, tenga a mano una brocha seca para empaparlos.

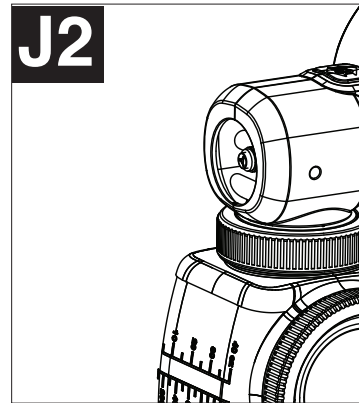
**⚠ ADVERTENCIA: PELIGRO DE DESCARGA ELÉCTRICA.** Cuando pulverice por encima de su cabeza, nunca incline el pulverizador más de 45 grados. El material pulverizado podría filtrarse a la caja del motor.  
**CONSEJO:** Si la válvula atomizadora no está debidamente asentada, el material pulverizado escapará por detrás de la boquilla de pulverización. Si hay una fuga de material, apague y desenchufe de inmediato el pulverizador de la fuente de alimentación. Para corregir este problema, siga los pasos a continuación:

- Revise que el pulverizador esté desenchufado de la fuente de alimentación. Quite la boquilla de pulverización girándola en sentido contrario a las agujas del reloj (**Figura J**). Para la boquilla tipo abanico, recuerde empujarla y girarla en sentido contrario a las agujas del reloj para quitarla.

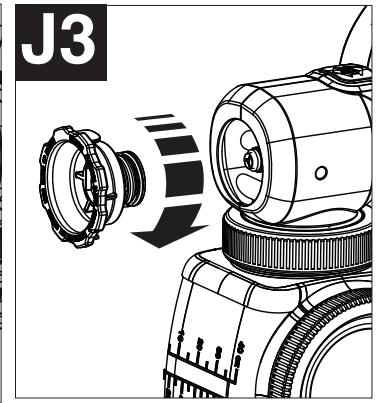


- Quite el atomizador y revise para ver si éste necesita limpieza o reemplazo. Revise también dentro de la caja de la bomba en busca de residuos u obstrucciones, y límpiela si es necesario (**Figura J1**).

- Reemplace la válvula atomizadora, asegurándose de que esté debidamente asentada (**Figura J2**).



- Vuelva a enroscar la boquilla de pulverización sobre el pulverizador girándolo en el sentido de las agujas del reloj (**Figura J3**).



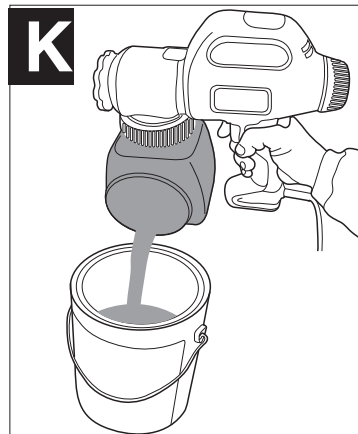
## LIMPIEZA

**⚠ ADVERTENCIA:** Asegúrese de usar el equipo protector adecuado.  
 • Asegúrese de que el área de limpieza esté bien ventilada y libre de vapores inflamables.

- Siempre pulverice al aire libre cuando expulse la solución de limpieza a través del pulverizador.
- Para proteger los pisos y cualquier otra cosa en el área de pulverización que desee mantener intacta, utilice paños atrapagotas al verter, mezclar y probar la viscosidad de los materiales que se van a pulverizar.

### PARA INICIAR LA LIMPIEZA:

- Desenchufe el pulverizador de la fuente de alimentación.
- Desenrosque la tapa del costado del depósito y vierta todo el líquido restante de vuelta en el envase original (**Figura K**).
- Vierta una cantidad pequeña de la solución de limpieza adecuada dentro del depósito (**Figura K1**).



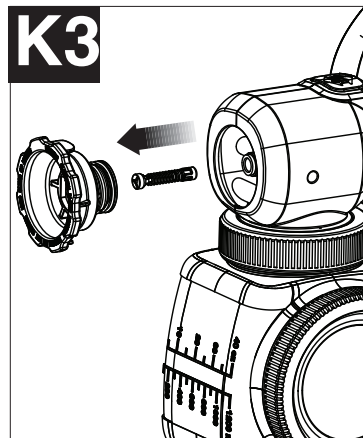
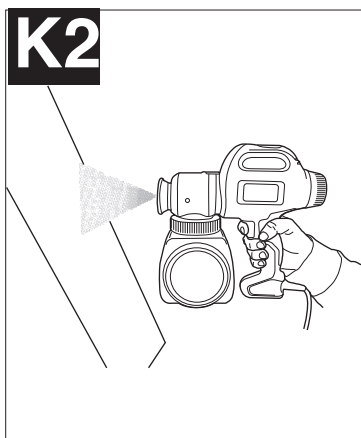
- Agua tibia jabonosa para materiales a base de agua.
- Solución de limpieza recomendada por el fabricante para los materiales a base de aceite.
- Vuelva a colocar firmemente la tapa en el depósito y agite vigorosamente el pulverizador.
- Desenrosque la tapa del costado del depósito y deseche adecuadamente la solución de limpieza.
- **Rellene** el depósito con una cantidad pequeña de solución de limpieza nueva (**Figura K1**). Enrosque el tapón lateral sobre el depósito.

• Enchufe el cable y pulverice la solución de limpieza a través del pulverizador sobre material desechable durante 5 segundos (**Figura K2**).

• Desenchufe el pulverizador de la fuente de alimentación.

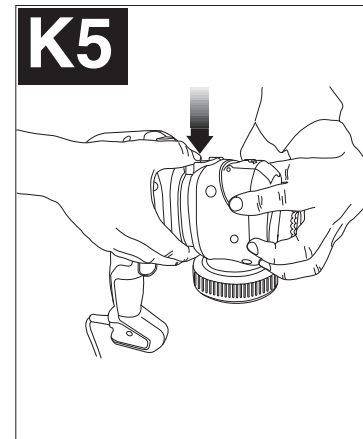
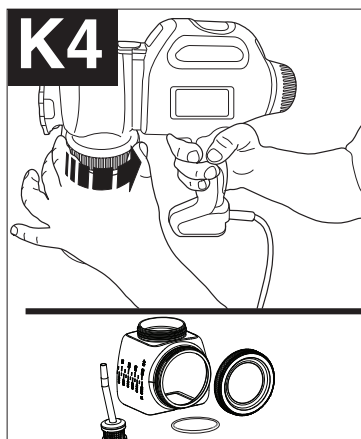
• Deseche apropiadamente la solución de limpieza.

• Quite la boquilla de pulverización girándola en sentido contrario a las agujas del reloj y luego quite el atomizador (**Figura K3**). Consulte las **Figuras C y C1**.

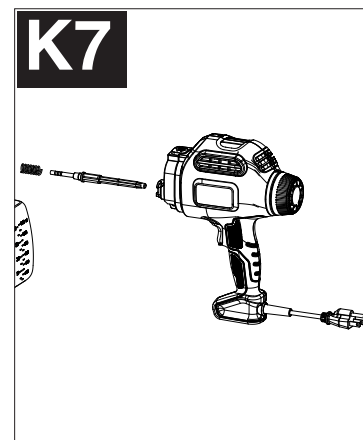
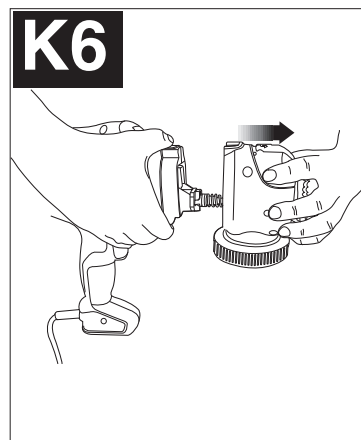


• Desenrosque el depósito del pulverizador girando el collar como se muestra en la **Figura K4**. Quite el tubo de recogida, el filtro y la junta tórica del pulverizador. Limpie las piezas con el cepillo de limpieza en la solución de limpieza apropiada.

• Quite la cubierta delantera del pulverizador presionando hacia abajo el botón de liberación y separando la cubierta delantera del pulverizador (**Figuras K5 y K6**).



• Quite el émbolo y el resorte (**Figura K7**).



- Limpie la boquilla de pulverización, el tubo de recogida y el filtro, el atomizador, el émbolo y el resorte con el cepillo de limpieza en la solución de limpieza apropiada (**Figura K8**).

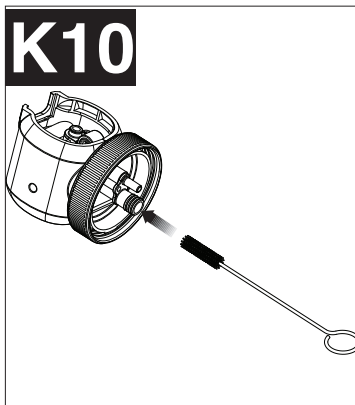
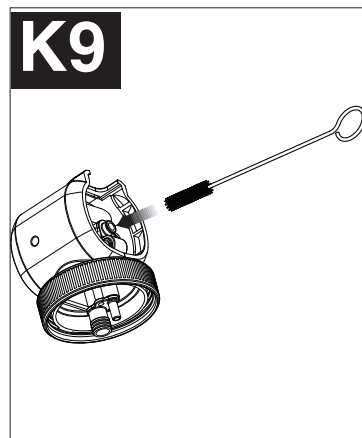
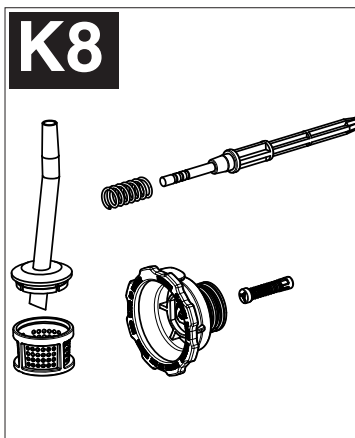
- **Limpie minuciosamente** el interior de la cámara del émbolo con el cepillo de limpieza (**Figura K9**).

**IMPORTANTE:** Asegúrese de eliminar todo el material del interior de la cámara del émbolo. Una cantidad pequeña de material que no se elimina con el cepillo de limpieza puede endurecerse con el tiempo e interferir con el movimiento del émbolo provocando daños en el pulverizador.

- **Limpie exhaustivamente** el interior de las aberturas de entrada y retorno con el cepillo de limpieza (**Figura K10**).

**IMPORTANTE:** Además, limpie minuciosamente el orificio de ventilación más pequeño, que se muestra con una flecha en la figura K11, con la aguja de limpieza incluida.

- Seque bien todas las piezas.



## REENSAMBLAJE

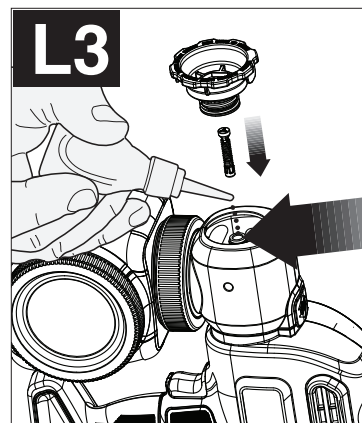
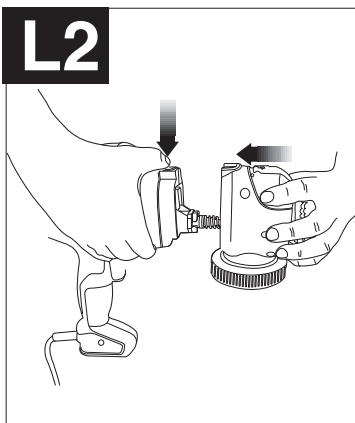
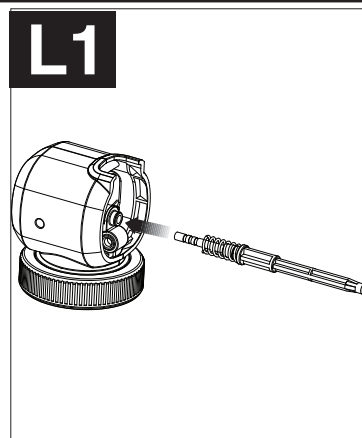
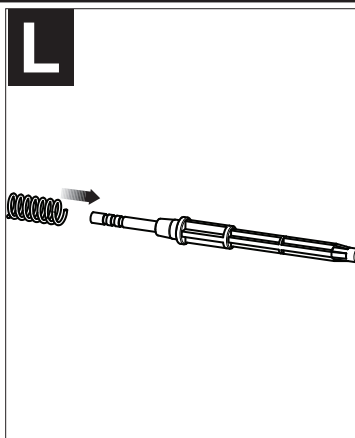
- Deslice el resorte sobre la parte delantera del émbolo (**Figura L**).

- Inserte el émbolo y el resorte dentro de la cubierta delantera (**Figura L1**).

- Mientras oprime el botón de liberación, inserte la cubierta delantera con el émbolo dentro del pulverizador hasta que el botón de liberación encaje en su lugar (**Figura L2**).

**AVISO:** La unidad no se podrá reensamblar sin el pistón y el resorte en su lugar.

- Aplique unas pocas gotas de aceite a través de la abertura del cilindro. Inserte la válvula atomizadora dentro de la cubierta delantera. Enrosque la boquilla de pulverización sobre la caja delantera y ajústela a mano (**Figura L3**).

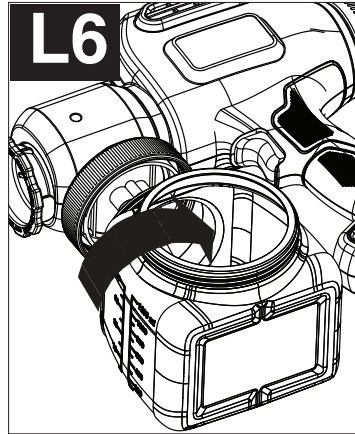
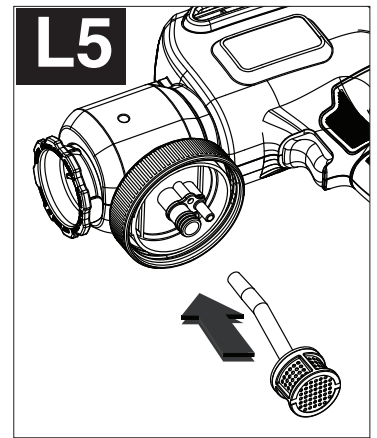
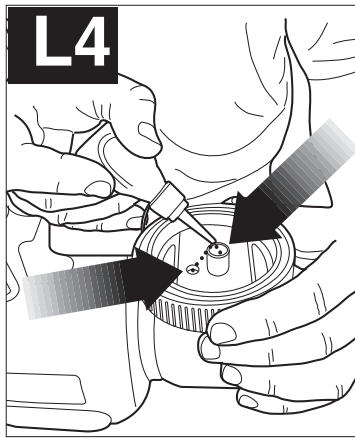




• Con el aceite lubricante provisto, aplique unas pocas gotas de aceite por las aberturas de entrada y retorno del pulverizador como se muestra en la **Figura L4**.

• Inserte el tubo de recogida dentro de la abertura de entrada del pulverizador (**Figura L5**).

• Vuelva a enroscar el depósito en el pulverizador (**Figura L6**) asegurándose de que las lengüetas del depósito queden alineadas con las lengüetas del collar enroscado. La tapa de llenado lateral siempre debe estar en el costado izquierdo del pulverizador.



## MANTENIMIENTO

Para limpiar la unidad motriz, utilice únicamente jabón suave y un paño húmedo. Nunca permita que penetre ningún líquido dentro de la unidad motriz; nunca sumerja ninguna pieza de la unidad motriz en un líquido.

**IMPORTANTE:** Para garantizar la **SEGURIDAD** y **CONFIABILIDAD** del producto, las reparaciones, el mantenimiento y los ajustes (distintos de los enumerados en este manual) deben realizarse en los centros de mantenimiento autorizados o en otras organizaciones de mantenimiento calificadas, siempre utilizando piezas de repuesto idénticas.

## ACCESORIOS

Los accesorios recomendados para uso con el producto están disponibles en su distribuidor local o centro de mantenimiento autorizado. Si necesita ayuda con respecto a los accesorios, llame al: **1-800-544-6986**.

⚠ **ADVERTENCIA:** El uso de cualquier accesorio no recomendado con este producto puede ser peligroso.

## INFORMACIÓN DE MANTENIMIENTO

Todos los Centros de servicio de Black & Decker cuentan con personal altamente capacitado dispuesto a brindar a todos los clientes un servicio eficiente y confiable en la reparación de herramientas eléctricas. Si necesita consejo técnico, reparaciones o piezas de repuesto originales de fábrica, póngase en contacto con el centro de servicio de Black & Decker más cercano a su domicilio. Para ubicar su centro de servicio local, consulte la sección "Herramientas eléctricas" (Tools-Electric) de las páginas amarillas, llame al **1-800-544-6986** o visite nuestro sitio [www.blackanddecker.com](http://www.blackanddecker.com).

⚠ **ADVERTENCIA:** El mantenimiento de la herramienta debe ser realizado únicamente por personal de reparaciones calificado.

⚠ **ADVERTENCIA:** Al realizar el mantenimiento de una herramienta, utilice únicamente piezas de repuesto idénticas.

## GARANTÍA

### Garantía completa de dos años para uso en el hogar

Black & Decker (Estados Unidos) Inc. ofrece una garantía de dos años por cualquier defecto del material o de fabricación de este producto. El producto defectuoso se reparará o reemplazará sin costo alguno de dos maneras. La primera opción, el reemplazo, es devolver el producto al comercio donde se adquirió (siempre y cuando se trate de un comercio participante). Las devoluciones deben realizarse conforme a la política de devolución del comercio (generalmente, entre 30 y 90 días posteriores a la venta). Le pueden solicitar comprobante de compra. Consulte en el

comercio acerca de la política especial sobre devoluciones una vez excedido el plazo establecido. La segunda opción es llevar o enviar el producto (con flete pago) a un Centro de servicio propio o autorizado de Black & Decker para su reparación o reemplazo según nuestro criterio. Le pueden solicitar el comprobante de compra. Los Centros de servicio autorizados y de propiedad de Black & Decker se detallan en la sección “Herramientas eléctricas” (Tools-Electric) de las páginas amarillas de la guía telefónica.

Esta garantía no se extiende a los accesorios. Esta garantía le concede derechos legales específicos; usted puede tener otros derechos que pueden variar según el estado o la provincia. Si tiene alguna pregunta, comuníquese con el gerente del Centro de servicio de Black & Decker de su zona. Este producto no está diseñado para uso comercial.

**AMÉRICA LATINA:** esta garantía no se aplica a los productos que se venden en América Latina. Para los productos que se venden en América Latina, debe consultar la información de la garantía específica del país que viene en el empaque, llamar a la compañía local o visitar el sitio Web a fin de obtener esa información.

## DETECCIÓN DE PROBLEMAS

### Problema

- El material escurre o gotea.

### Causa posible

- Se está pulverizando demasiado material.
- Se está pulverizando demasiado lento.
- Se está pulverizando demasiado cerca.
- Viscosidad demasiado diluida.

### Solución posible

- Reduzca el flujo de aire girando la perilla de control de flujo.
- Aumente la velocidad de aplicación.
- Aumente la distancia desde la superficie.
- Verifique la recomendación de dilución.

- Demasiada sobrepulverización.

- El pulverizador está demasiado lejos de la superficie.
- Se está pulverizando demasiado material.

- Reduzca la distancia a la superficie.

- Reduzca el flujo de aire girando la perilla de control de flujo.

- Se expulsa poco o nada del material.

- Boquilla/Punta de pulverización obstruida.
- Tubo de recogida suelto u obstruido.
- Ajuste demasiado bajo de la perilla de control de flujo.
- Material demasiado espeso.

- Limpie las boquillas.

- Revise el tubo.
- Aumente el ajuste de control de flujo.
- Verifique la recomendación de viscosidad.

- Material pulverizado está salpicando.

- Viscosidad del material está muy alta.

- Diluya el material según la recomendación del fabricante.

- El pulverizador vibra.

- Material en el depósito casi agotado.

- Rellene el depósito.

- El líquido se sale del depósito.

- La tapa no está pareja o suficientemente ajustada.
- Hay pintura en las roscas del depósito y del tapón.

- Quite la tapa y vuelva a colocarla en forma pareja y uniforme, luego ajuste firmemente el tapón.
- Limpie las roscas en la parte superior y los lados del depósito y el tapón.

- El motor funciona correctamente pero no pulveriza.

- Válvula atomizadora obstruida o gastada.
- Falta válvula atomizadora.
- Material demasiado espeso.
- Punta de pulverización obstruida.
- Filtro de entrada obstruido.
- La perilla de control necesita ajuste.
- Émbolo gastado.

- Limpie o reemplace según sea necesario.
- Instale la válvula atomizadora.
- Diluya el material.
- Limpie la punta.
- Limpie el filtro de entrada.
- Ajuste la perilla.
- Limpie y lubrique o reemplace.

- No se puede reensamblar la unidad.

- Se omitió un paso del ensamblaje.

- Inserte el resorte y el pistón dentro de la cubierta antes de reensamblar.
- Mantenga oprimido el botón de liberación al reensamblar.

### Solamente para Propósitos de México

Para conocer la ubicación del centro de servicio más cercano a fin de recibir ayuda con su producto, visite nuestro sitio Web [www.blackanddecker.com.mx](http://www.blackanddecker.com.mx) o llame a la línea de ayuda BLACK & DECKER al 800 847 2309/01 800 847 2312

## SOLAMENTE PARA PROPOSITOS DE MEXICO

### **Grupo Realsa en herramientas, S.A. de C.V.**

Súper Manzana 69 MZ.01 Lote 30  
(Av. Torcasita)  
Col. Puerto Juárez  
Cancún, Quintana Roo  
Tel. 01 998 884 72 27

### **Ferre Pat de Puebla, S.A. de C.V.**

16 de Septiembre No. 6149  
Col. El Cerrito  
Puebla, Puebla  
Tel. 01 222 264 12 12

### **Ferre Pat de Puebla, S.A. de C.V.**

Ejército Mexicano No. 15  
Col. Ejido 1ro. de Mayo  
Boca del Rio, Veracruz  
Tel. 01 229 167 89 89

### **Servicio de Fabrica Black & Decker, S.A. de C.V.**

Lázaro Cardenas No. 18  
Col. Obrera  
Distrito Federal  
Tel. 55 88 95 02

### **Representaciones Industriales Robles, S.A. de C.V.**

Tezozomoc No. 89  
Col. La Preciosa  
Distrito Federal  
Tel. 55 61 86 82

### **Gpo. Comercial de Htas. y Refacciones de Occidente, S.A. de C.V.**

Av. La Paz No. 1779  
Col. Americana, S. Juárez  
Guadalajara, Jalisco  
Tel. 01 33 38 25 69 78

### **Herramientas y Equipos Profesionales**

Av. Colón 2915 Ote.  
Col. Francisco I. Madero  
Monterrey, Nvo. León  
Tel. 01 81 83 54 60 06

### **Htas. Portátiles de Chihuahua, S.A. de C.V.**

Av. Universidad No. 2903  
Col. Fracc. Universidad  
Chihuahua, Chihuahua  
Tel. 01 614 413 64 04

### **Fernando González Armenta**

Bolivia No. 605  
Col. Felipe Carrillo Puerto  
Cd. Madero, Tampico  
Tel. 01 833 221 34 50

### **Perfiles y Herramientas de Morelia**

Gertrudis Bocanegra No. 898  
Col. Ventura Puente  
Morelia, Michoacán  
Tel. 01 443 313 85 50

### **Enrique Robles**

Av. de la Solidaridad No. 12713  
Col. La Pradera  
Irapuato, Guanajuato  
Tel. 01 462 626 67 39

### **Hernández Martínez Jeanette**

Prolongación Corregidora Nte.  
No. 1104  
Col. Arboledas  
Queretaro, Qro.  
Tel. 01 442 245 25 80

**PARA OTRAS LOCALIDADES LLAME AL 01 800 847 2309 o 01 800 847 2312.**

**· GARANTÍA BLACK & DECKER · BLACK & DECKER WARRANTY  
· SOLAMENTE PARA PROPOSITOS DE MEXICO**

---

Distributor Name · **Sello firma del distribuidor**

---

Date of purchase · **Fecha de compra**

**Invoice No. · No. de factura**

---

**PRODUCT INFORMATION · IDENTIFICACIÓN DEL PRODUCTO**

Cat. No. · **Catalogo ó Modelo**

**Serial Number · No. de serie**

---

Name · **Nombre**

**Last Name · Apellido**

---

Address · **Dirección**

---

City · **Ciudad**

**State · Estado**

---

Postal Code · **Código Postal**

**Country · País**

---

Telephone · **No. Teléfono**

---

**2 AÑOS DE GARANTIA**

Este producto cuenta con dos años de garantía a partir de la fecha de compra contra cualquier defecto de su funcionamiento, así como cualquier falla debido a materiales empleados para su fabricación ó mano de obra defectuosa.

Nuestra garantía incluye la reparación o reposición del producto y/o componentes sin cargo alguno para el cliente incluyendo la mano de obra, esta incluye los gastos de trasportación erogados para lograr cumplimiento de esta garantía en los domicilios diversos señalados.

Para hacer efectiva esta garantía deberá presentar su herramienta y esta póliza sellada por el establecimiento comercial donde se adquirió el producto.

Nos comprometemos a entregar el producto en un lapso no mayor a 30 días hábiles contados a partir de la fecha de recepción del mismo en nuestros talleres de servicio autorizados.

**ESTA GARANTIA NO APLICA CUANDO:**

El producto se hubiese utilizado en condiciones distintas a las normales.

El producto no hubiese sido operado de acuerdo con el instructivo de uso que se acompaña.

El producto hubiese sido alterado o reparado por personas no autorizadas por nosotros.

Importador: Black & Decker S.A. de .C.V

Bosque de Cidros Acceso Radiatas No.42

3ra.Seccion de Bosques de las lomas

C.P.05120, Mexico, D.F. Tel: (01 55) 5326 7100

**Vea "Herramientas  
eléctricas (Tools-Electric)"  
- Páginas amarillas -  
para Servicio y ventas**



BLACK & DECKER S.A. DE C.V.  
BOSQUES DE CIDROS ACCESO RADIATAS NO. 42  
COL. BOSQUES DE LAS LOMAS.  
05120 MÉXICO, D.F.  
TEL. (01 55) 5326 7100  
01 800 847 2309/01 800 847 2312