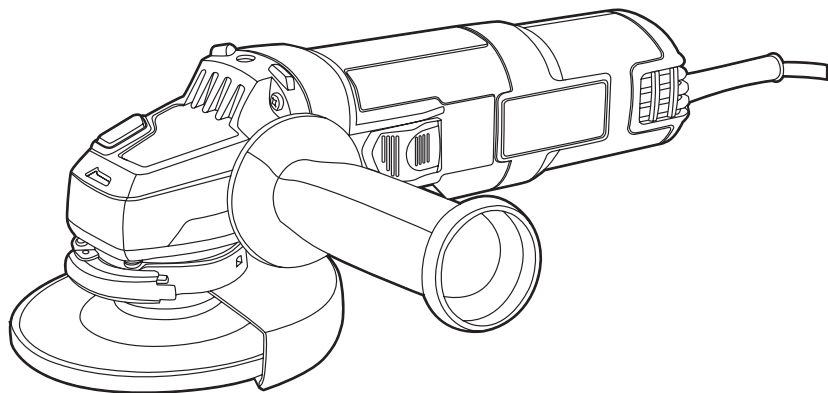


BLACK+ DECKER™

4-1/2" (114MM) ANGLE GRINDER

INSTRUCTION MANUAL

CATALOG NUMBER
BDEG400



Thank you for choosing BLACK+DECKER!

PLEASE READ BEFORE RETURNING THIS PRODUCT FOR ANY REASON.

If you have a question or experience a problem with your BLACK+DECKER purchase, go to <http://www.blackanddecker.com/instantanswers>
If you can't find the answer or do not have access to the Internet, call 1-800-544-6986 from 8 a.m. to 5 p.m. EST Mon. - Fri. to speak with an agent. Please have the catalog number available when you call.

SAVE THIS MANUAL FOR FUTURE REFERENCE.

VEA EL ESPAÑOL EN LA CONTRAPORTADA.

INSTRUCTIVO DE OPERACIÓN, CENTROS DE SERVICIO Y PÓLIZA DE GARANTÍA.

ADVERTENCIA: LÉASE ESTE INSTRUCTIVO ANTES DE USAR EL PRODUCTO.

To register your new product, visit
www.BlackandDecker.com/NewOwner

SAFETY GUIDELINES - DEFINITIONS

It is important for you to read and understand this manual. The information it contains relates to protecting **YOUR SAFETY and PREVENTING PROBLEMS**. The symbols below are used to help you recognize this information.

⚠ DANGER: Indicates an imminently hazardous situation which, if not avoided, will result in death or serious injury.

⚠ WARNING: Indicates a potentially hazardous situation which, if not avoided, could result in death or serious injury.

⚠ CAUTION: Indicates a potentially hazardous situation which, if not avoided, may result in minor or moderate injury.

NOTICE: Used without the safety alert symbol indicates potentially hazardous situation which, if not avoided, may result in property damage.

General Power Tool Safety Warnings

⚠ WARNING: Read all safety warnings and all instructions. Failure to follow the warnings and instructions may result in electric shock, fire and/or serious injury.

SAVE ALL WARNINGS AND INSTRUCTIONS FOR FUTURE REFERENCE

The term "power tool" in the WARNINGS refers to your mains-operated (corded) power tool or battery-operated (cordless) power tool.

SAVE THESE INSTRUCTIONS

1) WORK AREA SAFETY

- a) **Keep work area clean and well lit.**
Cluttered or dark areas invite accidents.
- b) **Do not operate power tools in explosive atmospheres, such as in the presence of flammable liquids, gases or dust.** *Power tools create sparks which may ignite the dust or fumes.*
- c) **Keep children and bystanders away while operating a power tool.**
Distractions can cause you to lose control.

2) ELECTRICAL SAFETY

- a) **Power tool plugs must match the outlet. Never modify the plug in any way. Do not use any adapter plugs with earthed (grounded) power tools.** *Unmodified plugs and matching outlets will reduce risk of electric shock.*
- b) **Avoid body contact with earthed or grounded surfaces such as pipes, radiators, ranges and refrigerators.** *There is an increased risk of electric shock if your body is earthed or grounded.*
- c) **Do not expose power tools to rain or wet conditions.** *Water entering a power tool will increase the risk of electric shock.*
- d) **Do not abuse the cord. Never use the cord for carrying, pulling or unplugging the power tool. Keep cord away from heat, oil, sharp edges or moving parts.**
Damaged or entangled cords increase the

risk of electric shock.

- e) **When operating a power tool outdoors, use an extension cord suitable for outdoor use.** *Use of a cord suitable for outdoor use reduces the risk of electric shock.*
- f) **If operating a power tool in a damp location is unavoidable, use a ground fault circuit interrupter (GFCI) protected supply.** *Use of a GFCI reduces the risk of electric shock.*

3) PERSONAL SAFETY

- a) **Stay alert, watch what you are doing and use common sense when operating a power tool. Do not use a power tool while you are tired or under the influence of drugs, alcohol or medication.** *A moment of inattention while operating power tools may result in serious personal injury.*
- b) **Use personal protective equipment. Always wear eye protection.** *Protective equipment such as dust mask, nonskid safety shoes, hard hat, or hearing protection used for appropriate conditions will reduce personal injuries.*
- c) **Prevent unintentional starting. Ensure the switch is in the off position before connecting to power source and/ or battery pack, picking up or carrying the tool.** *Carrying power tools with your finger on the switch or energizing power tools that have the switch on invites accidents.*
- d) **Remove any adjusting key or wrench before turning the power tool on.** *A wrench or a key left attached to a rotating part of the power tool may result in personal injury.*
- e) **Do not overreach. Keep proper footing and balance at all times.** *This enables better control of the power tool in unexpected situations.*
- f) **Dress properly. Do not wear loose clothing or jewelry. Keep your hair, clothing and gloves away from moving parts.** *Loose clothes, jewelry or long hair can be caught in moving parts.*
- g) **If devices are provided for the**

connection of dust extraction and collection facilities, ensure these are connected and properly used.

Use of dust collection can reduce dust-related hazards.

4) POWER TOOL USE AND CARE

a) Do not force the power tool. Use the correct power tool for your application.

The correct power tool will do the job better and safer at the rate for which it was designed.

b) Do not use the power tool if the switch does not turn it on and off. Any power tool that cannot be controlled with the switch is dangerous and must be repaired.

c) Disconnect the plug from the power source and/or the battery pack from the power tool before making any adjustments, changing accessories, or storing power tools. Such preventive safety measures reduce the risk of starting the power tool accidentally.

d) Store idle power tools out of the reach of children and do not allow persons unfamiliar with the power tool or these instructions to operate the power tool. Power tools are dangerous in the hands of untrained users.

e) Maintain power tools. Check for misalignment or binding of moving parts, breakage of parts and any other condition that may affect the power tool's operation. If damaged, have the power tool repaired before use. Many accidents are caused by poorly maintained power tools.

f) Keep cutting tools sharp and clean. Properly maintained cutting tools with sharp cutting edges are less likely to bind and are easier to control.

g) Use the power tool, accessories and tool bits, etc. in accordance with these instructions, taking into account the working conditions and the work to be performed. Use of the power tool for operations different from those intended could result in a hazardous situation.

5) SERVICE

a) Have your power tool serviced by a qualified repair person using only identical replacement parts.

This will ensure that the safety of the power tool is maintained.

SAFETY INSTRUCTIONS FOR ALL OPERATIONS

Safety Warnings Common for Grinding, Sanding, Wire Brushing, or Abrasive, Cutting-Off Operations

a) This power tool is intended to function as a grinder, sander, or wire brush. Read all safety warnings, instructions, illustrations

and specifications provided with this power tool. Failure to follow all instructions listed below may result in electric shock, fire and/or serious injury.

b) Operations such as polishing and cut off are not recommended to be performed with this power tool.

Operations for which the power tool was not designed may create a hazard and cause personal injury.

c) Do not use accessories which are not specifically designed and recommended by the tool manufacturer. Just because the accessory can be attached to your power tool, it does not assure safe operation.

d) The rated speed of the accessory must be at least equal to the maximum speed marked on the power tool. Accessories running faster than their rated speed can break and fly apart.

e) The outside diameter and the thickness of your accessory must be within the capacity rating of your power tool. Incorrectly sized accessories cannot be adequately guarded or controlled.

f) Threaded mounting of accessories must match the grinder spindle thread. For accessories mounted by flanges, the arbor hole of the accessory must fit the locating diameter of the flange. Accessories that do not match the mounting hardware of the power tool will run out of balance, vibrate excessively and may cause loss of control.

g) Do not use a damaged accessory. Before each use inspect the accessory such as abrasive wheel for chips and cracks, backing pad for cracks, tear or excess wear, wire brush for loose or cracked wires. If power tool or accessory is dropped, inspect for damage or install an undamaged accessory. After inspecting and installing an accessory, position yourself and bystanders away from the plane of the rotating accessory and run the power tool at maximum no-load speed for one minute. Damaged accessories will normally break apart during this test time.

h) Wear personal protective equipment. Depending on application, use face shield, safety goggles or safety glasses. As appropriate, wear dust mask, hearing protectors, gloves and work shop apron capable of stopping small abrasive or workpiece fragments. The eye protection must be capable of stopping flying debris generated by various operations. The dust mask or respirator must be capable

of filtering particles generated by your operation. Prolonged exposure to high intensity noise may cause hearing loss.

- i) **Keep bystanders a safe distance away from work area. Anyone entering the work area must wear personal protective equipment.** Fragments of workpiece or of a broken accessory may fly away and cause injury beyond immediate area of operation.
- j) **Hold the power tool by insulated gripping surfaces only, when performing an operation where the cutting accessory may contact hidden wiring or its own cord.** Cutting accessory contacting a “live” wire may make exposed metal parts of the power tool “live” and could give the operator an electric shock.
- k) **Position the cord clear of the spinning accessory.** If you lose control, the cord may be cut or snagged and your hand or arm may be pulled into the spinning accessory.
- l) **Never lay the power tool down until the accessory has come to a complete stop.** The spinning accessory may grab the surface and pull the power tool out of your control.
- m) **Do not run the power tool while carrying it at your side.** Accidental contact with the spinning accessory could snag your clothing, pulling the accessory into your body.
- n) **Regularly clean the power tool’s air vents.** The motor’s fan will draw the dust inside the housing and excessive accumulation of powdered metal may cause electrical hazards.
- o) **Do not operate the power tool near flammable materials.** Sparks could ignite these materials.
- p) **Do not use accessories that require liquid coolants.** Using water or other liquid coolants may result in electrocution or shock.
- q) **Do not use Type 11 (flaring cup) wheels on this tool.** Using inappropriate accessories can result in injury.
- r) **Always use side handle. Tighten the handle securely.** The side handle should always be used to maintain control of the tool at all times.
- s) **When starting the tool with a new or replacement wheel, or a new or replacement wire brush installed, hold the tool in a well protected area and let it run for one minute.** If the wheel has an undetected crack or flaw, it should burst in less than one minute. If the wire brush has loose wires, they will be detected. Never start the tool with a person in line with the wheel.

This includes the operator.

- t) **The arbor size of hubbed wheels, flanges, backing pads or any other accessory must properly fit the spindle of the power tool.** Accessories with arbor holes that do not match the mounting hardware of the power tool will run out of balance, vibrate excessively and may cause loss of control.

KICKBACK AND RELATED WARNINGS

Kickback is a sudden reaction to a pinched or snagged rotating wheel, backing pad, brush or any other accessory. Pinching or snagging causes rapid stalling of the rotating accessory which in turn causes the uncontrolled power tool to be forced in the direction opposite of the accessory’s rotation at the point of the binding.

For example, if an abrasive wheel is snagged or pinched by the workpiece, the edge of the wheel that is entering into the pinch point can dig into the surface of the material causing the wheel to climb out or kick out. The wheel may either jump toward or away from the operator, depending on direction of the wheel’s movement at the point of pinching. Abrasive wheels may also break under these conditions.

Kickback is the result of tool misuse and/or incorrect operating procedures or conditions and can be avoided by taking proper precautions as given below:

- a) **Maintain a firm grip on the power tool and position your body and arm to allow you to resist kickback forces. Always use auxiliary handle, if provided, for maximum control over kickback or torque reaction during start up.** The operator can control torque reaction or kickback forces, if proper precautions are taken.
- b) **Never place your hand near the rotating accessory.** Accessory may kickback over your hand.
- c) **Do not position your body in the area where power tool will move if kickback occurs.** Kickback will propel the tool in direction opposite to the wheel’s movement at the point of snagging.
- d) **Use special care when working corners, sharp edges etc. Avoid bouncing and snagging the accessory.** Corners, sharp edges or bouncing have a tendency to snag the rotating accessory and cause loss of control or kickback.
- e) **Do not attach a saw chain**

woodcarving blade or toothed saw blade. Such blades create frequent kickback and loss of control.

SAFETY WARNINGS SPECIFIC FOR GRINDING AND ABRASIVE CUTTING-OFF OPERATIONS

- a) Use only wheel types that are recommended for your power tool and the specific guard designed for the selected wheel. Wheels for which the power tool was not designed cannot be adequately guarded and are unsafe.
- b) **The grinding surface of center depressed wheels must be mounted below the plane of the guard lip.** An improperly mounted wheel that projects through the plane of the guard lip cannot be adequately protected.
- c) **The guard must be securely attached to the power tool and positioned for maximum safety, so the least amount of wheel is exposed towards the operator.** The guard helps to protect operator from broken wheel fragments, accidental contact with wheel and sparks that could ignite clothing.
- d) **Wheels must be used only for recommended applications. For example: do not grind with the side of cut-off wheel.** Abrasive cut-off wheels are intended for peripheral grinding, side forces applied to these wheels may cause them to shatter.
- e) **Always use undamaged wheel flanges that are of correct size and shape for your selected wheel.** Proper wheel flanges support the wheel thus reducing the possibility of wheel breakage. Flanges for cut-off wheels may be different from grinding wheel flanges.
- f) **Do not use worn down wheels from larger power tools.** Wheel intended for larger power tool is not suitable for the higher speed of a smaller tool and may burst.

SAFETY WARNINGS SPECIFIC FOR SANDING OPERATIONS

- a) **Do not use excessively oversized sanding disc paper. Follow manufacturers recommendations, when selecting sanding paper.** Larger sanding paper extending beyond the sanding pad presents a laceration hazard and may cause snagging, tearing of the disc or kickback.

SAFETY WARNINGS SPECIFIC FOR

WIRE BRUSHING OPERATIONS

- a) **Be aware that wire bristles are thrown by the brush even during ordinary operation. Do not overstress the wires by applying excessive load to the brush.** The wire bristles can easily penetrate light clothing and/or skin.
- b) **If the use of a guard is recommended for wire brushing, do not allow any interference of the wire wheel or brush with the guard.** Wire wheel or brush may expand in diameter due to work and centrifugal forces.
- c) **Safety glasses: Safety Goggles or safety glasses with side shields and a full face shield compliant with ANSI Z87.1 eye protection (CAN/CPA Z94.3), must be worn by the operator and others that are within 50 feet of the use of this product/accessory.**

ADDITIONAL SAFETY INFORMATION

- ⚠ **WARNING:** Do not use Type 1 flat cut-off abrasive or diamond wheels.
- ⚠ **WARNING:** Always wear proper personal hearing protection that conforms to ANSI S12.6 (S3.19) during use. Under some conditions and duration of use, noise from this product may contribute to hearing loss.
- ⚠ **WARNING:** ALWAYS use safety glasses. Everyday eyeglasses are NOT safety glasses. Also use face or dust mask if cutting operation is dusty. ALWAYS WEAR CERTIFIED SAFETY EQUIPMENT:
 - ANSI Z87.1 eye protection (CAN/CSA Z94.3),
 - ANSI S12.6 (S3.19) hearing protection,
 - NIOSH/OSHA/MSHA respiratory protection.
- ⚠ **WARNING:** Some dust created by power sanding, sawing, grinding, drilling, and other construction activities contains chemicals known to the state of California to cause cancer, birth defects or other reproductive harm. Some examples of these chemicals are:
 - lead from lead-based paints,
 - crystalline silica from bricks and cement and other masonry products, and
 - arsenic and chromium from chemically-treated lumber.Your risk from these exposures varies, depending on how often you do this type of work. To reduce your exposure to these chemicals: work in a well ventilated area, and work with approved safety equipment, such as those dust masks that are specially designed to filter out microscopic particles.
 - Avoid prolonged contact with dust from power sanding, sawing, grinding, drilling, and other construction activities. Wear protective clothing

and wash exposed areas with soap and water. Allowing dust to get into your mouth, eyes, or lay on the skin may promote absorption of harmful chemicals.

⚠ WARNING: Use of this tool can generate and/or disperse dust, which may cause serious and permanent respiratory or other injury. Always use NIOSH/OSHA approved respiratory protection appropriate for the dust exposure. Direct particles away from face and body.

⚠ WARNING: Do not operate this tool for long periods of time. Vibration caused by the operating action of this tool may cause permanent injury to fingers, hands, and arms. Use gloves to provide extra cushion, take frequent rest periods, and limit daily time of use.

⚠ WARNING: When not in use, place grinder on a stable surface where it will not move inadvertently, roll or cause a tripping or falling hazard. The grinder may stand upright on the battery pack but may be easily knocked over. Serious personal injury may result.

⚠ WARNING: The grinding wheel or accessory may loosen during coast-down of the tool when shut off. If grinding wheel or accessory loosens, it may dismount from the machine and may cause serious personal injury.

⚠ CAUTION: To reduce the risk of personal injury, use extra care when working into a corner or edge because a sudden, sharp movement of the tool may be experienced when the wheel or other accessory contacts a secondary surface or a surface edge.

• When using an extension cord, be sure to use one heavy enough to carry the current your product will draw. An undersized cord will cause

a drop in line voltage resulting in loss of power and overheating. The following table shows the correct size to use depending on cord length and nameplate ampere rating. If in doubt, use the next heavier gage. The smaller the gage number, the heavier the cord.

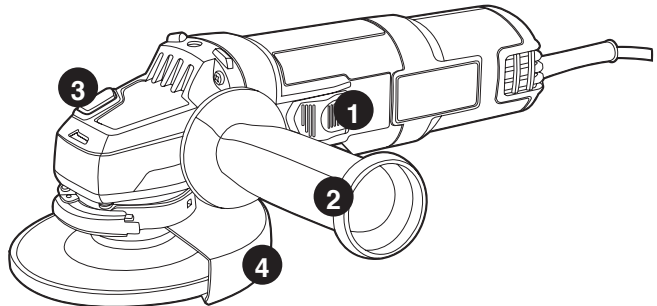
MINIMUM GAUGE FOR CORD SETS				
Volts	Total Length of Cord in Feet			
120V	0-25 (0-7,6m)	26-50 (7,6-15,2m)	51-100 (15,2-30,4m)	101-150 (30,4-45,7m)
Ampere Rating	American Wire Gauge			
More Than	Not more Than			
6	- 10	18	16	14 12

SYMBOLS

- The label on your tool may include the following symbols. The symbols and their definitions are as follows:
 - V.....volts
 - A.....amperes
 - Hz.....hertz
 - W.....watts
 - min minutes
 - ~ or AC.....alternating current
 - or DC...direct current
 - n rated speed
 - ⚡ Class I Construction (grounded)
 - ⊕ earthing terminal
 - ⚠ safety alert symbol
 - Class II Construction (double insulated)
 -min or rpm...revolutions or reciprocation per minute
 - 📖 Read instruction manual before use
 - 👁 Use proper eye protection
 - 👂 Use proper hearing protection
 - 👃 Use proper respiratory protection

FUNCTIONAL DESCRIPTION

1. On/off switch
2. Side/auxiliary handle
3. Spindle lock
4. Guard



ASSEMBLY

⚠WARNING: To prevent accidental operation, turn off and unplug tool before performing the following operations.

Failure to do this could result in serious personal injury.

AUXILIARY HANDLE

⚠WARNING: This handle SHOULD BE USED AT ALL TIMES to maintain complete control of the tool.

An auxiliary 3 position handle is furnished with your grinder. It can be screwed into either side or the top of the gear case housing. This handle SHOULD BE USED AT ALL TIMES to maintain complete control of the tool.

MOUNTING GUARD

The guard must be used with all grinding wheels, sanding flap discs, wire brushes, cut-off wheels and wire wheels. The tool may be used without a guard only when sanding with conventional sanding discs. The BDEG400 is provided with a guard intended for use with most depressed center wheels (Type 27) and hubbed grinding wheels (Type 27). The same guard is designed for use with sanding flap discs (Type 27 and 29) and wire cup brushes. Never use Type 1 cutting discs. Grinding and cutting with wheels other than Type 27 and 29 require different accessory guards.

1. **Figure A** - Open the guard latch (7), and align the lugs on the guard (8) with the slots on the gear case cover (9).
2. Push the guard down until the guard lugs engage and rotate freely in the groove on the gear case hub.
3. With the guard latch open, rotate the guard into the desired working position. The guard body should be positioned between the spindle and the operator to provide maximum operator protection.
4. Close the guard latch (7) to secure the guard on the gear case. You should not be able to rotate the guard by hand when the latch is closed. Do not operate the grinder with a loose guard or the

guard latch in open position.

5. To remove the guard, open the guard latch, rotate the guard so that the lugs and slots are aligned and pull up on the guard.

ADJUSTING THE GUARD

NOTE: The guard latch is pre-adjusted to the diameter of the gear case hub at the factory. If, after a period of time, the guard becomes loose, tighten the adjusting screw (10) with latch in the closed position and guard installed on the tool.

⚠CAUTION: Do not tighten the adjusting screw with the latch in the open position. Undetectable damage to the guard or the mounting hub may result.

⚠CAUTION: If the guard cannot be tightened by the guard latch, do not use the tool and take the tool and guard to a service center to repair or replace the guard.

REMOVING THE GUARD

⚠WARNING: Always use the guard when operating the tool, except when sanding.

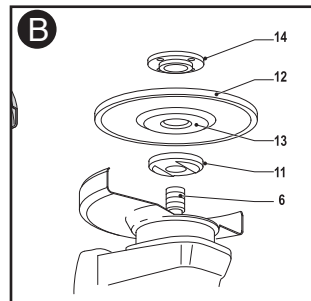
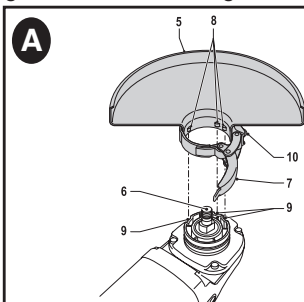
- Release the guard latch (7).
- Rotate the guard clockwise to align the lugs (8) with the notches (9).
- Remove the guard from the tool.

Fitting and removing grinding discs (fig. B - D)

Always use the correct type of disc for your application. Always use discs with the correct diameter and bore size.

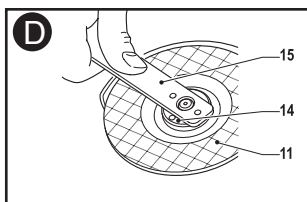
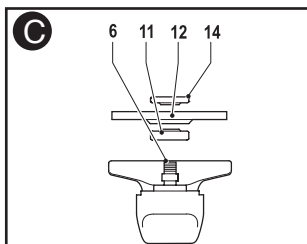
FITTING

- Fit the guard as described above.
- Place the inner flange (11) onto the spindle (6) as shown (**fig. B**). Make sure that the flange is correctly located on the flat sides of the spindle.
- Place the disc (12) onto the spindle (6) as shown (**fig. B**). If the disc has a raised center (13), make sure that the raised center faces the inner flange.
- Make sure the disc locates correctly on the inner flange.
- Place the outer flange (14) onto the spindle. When fitting a grinding disc, the



raised center on the outer flange must face towards the disc (**A in fig. C**). The raised center on the outer flange must face toward the disc (**B in fig. C**).

- Keep the spindle lock (3) depressed and tighten the outer flange using the two-pin wrench (15) (**fig. D**).



REMOVING

- Keep the spindle lock (3) depressed and loosen the outer flange (14) using the two-pin wrench (15) (**fig. D**).
- Remove the outer flange (14) and the disc (11).

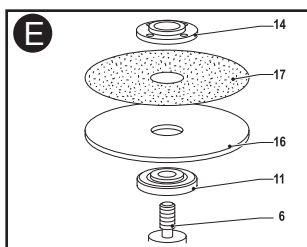
FITTING AND REMOVING SANDING DISCS AND BACKING PAD (FIG. D & E)

For sanding, a backing pad is required. The backing pad is available from your BLACK+DECKER dealer as an accessory. **NOTE:** Guard may be removed when using sanding backing pads.

⚠WARNING: Proper guard must be reinstalled for grinding wheel, sanding flap disc, wire brush or wire wheel applications after sanding applications are complete.

FITTING

- Place the inner flange (11) onto the spindle (6) as shown (**fig. E**). Make sure that the flange is correctly located on the flat sides of the spindle.
- Place the backing pad (16) onto the spindle.
- Place the sanding disc (17) onto the backing pad.
- Place the clamp nut that came with the backing pad (14) onto the spindle with the raised center facing away from the disc.
- Keep the spindle lock (3) depressed and tighten the clamp nut using the two-pin wrench (15) (**fig. D**). Make sure the clamp nut is fitted correctly and the disc is clamped tightly.



REMOVING

- Keep the spindle lock (3) depressed and loosen the outer flange (14) using the two-pin wrench (15) (**fig. D**).
- Remove the clamp nut (14), the sanding disc (17) and the backing pad (16).

MOUNTING AND USING WIRE BRUSHES AND WIRE WHEELS

Wire cup brushes or wire wheels screw directly on the grinder spindle without the use of flanges. Use only wire brushes or wheels provided with a 5/8 inch-11 threaded hub. A Type 27 guard is required when using wire brushes and wheels. **Wear work gloves when handling wire brushes and wheels.** They can become sharp. Wheel or brush must not touch guard when mounted or while in use. Undetectable damage could occur to the accessory, causing wires to fragment from accessory wheel or cup.

MOUNTING WIRE CUP BRUSHES AND WIRE WHEELS

Turn off tool and unplug tool before making any adjustments or removing or installing attachments or accessories.

1. Thread the accessory on the spindle by hand.
2. Depress spindle lock button and use a wrench on the hub of the accessory to tighten the accessory.
3. To remove the accessory, reverse the above procedure.

⚠CAUTION: Failure to properly seat the accessory hub before turning the tool on may result in damage to tool or accessory.

OPERATION

⚠WARNING: This tool should not be used in temperatures below -4°F (-20°C) or above 104°F (40°C).

Switching on and off

⚠CAUTION: Hold the auxiliary handle and trigger handle firmly to maintain control of the tool at start up and during use and until the wheel or accessory stops rotating. Make sure the wheel has come to a complete stop before laying the tool down.

NOTE: To reduce unexpected tool movement, do not switch the tool on or off while under load conditions. Allow the grinder to run up to full speed before touching the work surface. Lift the tool from the surface before turning the tool off. Allow the tool to stop rotating before putting it down.

- To start the grinder, push the lower part of the on/off switch (1) forward. Release the switch to turn the tool off.
- For continuous operation, push the on/off switch forward and push the front down until it locates in the lock position. To turn the tool off, press the rear of the on/off switch. Spring action returns the switch to the off position.

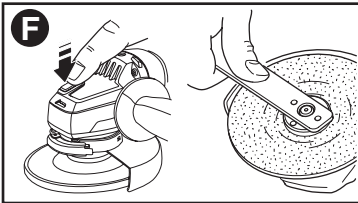
SPINDLE LOCK

⚠ WARNING: To prevent accidental operation, turn off and unplug tool before performing the following operations. Failure to do this could result in serious personal injury.

The spindle lock button (4) is provided to prevent the spindle from rotating when installing or removing wheels. Operate the spindle lock only when the tool is turned off and the wheel has come to a complete stop.

⚠ WARNING: Do not engage the spindle lock while the tool is operating. Damage to the tool will result and attached accessory may spin off possibly resulting in injury.

- To engage the lock, depress the spindle lock button (4) shown in **figure F** and rotate the spindle until you are unable to rotate the spindle further.



SURFACE GRINDING WITH GRINDING WHEELS

1. Allow the tool to reach full speed before touching the tool to the work surface.
2. Apply minimum pressure to the work surface, allowing the tool to operate at high speed. Grinding rate is greatest when the tool operates at high speed.
3. Maintain a 20° to 30° angle between the tool and work surface.
4. Continuously move the tool in a forward and back motion to avoid creating gouges in the work surface.
5. Remove the tool from work surface before turning tool off. Allow the tool to stop rotating before laying it down.

EDGE GRINDING WITH GRINDING WHEELS

⚠ CAUTION: Wheels used for cutting and edge grinding may break or kick back if they bend or twist while the tool is being used to do cut-off work or deep grinding. Edge grinding and cutting can be performed with Type 27 wheels designed and specified for this purpose; 1/4" (6.35 mm) thick wheels are designed for surface grinding while thinner Type 27 wheels need to be examined for the manufacturer's label to see if they can be used for surface grinding or only edge grinding/cutting. Any wheel where surface grinding is forbidden must not be used on this grinder. In all edge grinding operations, the open side of the guard must be positioned away from the operator. Edge grinding with a Type 27 wheel must be limited to shallow notching—less than 1/2" (13mm) in depth when the wheel is new. Reduce the depth of notching equal to the reduction of the wheel radius as it wears down.

1. Allow the tool to reach full speed before touching the tool to the work surface.
2. Apply minimum pressure to the work surface, allowing the tool to operate at high speed. Grinding rate is greatest when the tool operates at high speed.
3. Position yourself so that the open-underside of the wheel is facing away from you.
4. Once a cut is begun and a notch is established in the workpiece, do not change the angle of the cut. Changing the angle will cause the wheel to bend and may cause wheel breakage. Edge grinding wheels are not designed to withstand side pressures caused by bending.
5. Remove the tool from the work surface before turning the tool off. Allow the tool to stop rotating before laying it down.

USING WIRE CUP BRUSHES AND WIRE WHEELS

Wire wheels and brushes can be used for removing rust, scale and paint, and for smoothing irregular surfaces.

NOTE: The same precautions should be taken when wire brushing paint as when sanding paint.

1. Allow the tool to reach full speed before touching the tool to the work surface.
2. Apply minimum pressure to work surface, allowing the tool to operate at high speed. Material removal rate is greatest when the tool operates at high speed.
3. Maintain a 5° to 10° angle between the tool and work surface for wire cup brushes.
4. Maintain contact between the edge of the wheel and the work surface with

wire wheels.

5. Continuously move the tool in a forward and back motion to avoid creating gouges in the work surface. Allowing the tool to rest on the work surface without moving, or moving the tool in a circular motion causes burning and swirling marks on the work surface.
6. Remove the tool from the work surface before turning the tool off. Allow the tool to stop rotating before setting it down.

Use extra care when working over an edge, as a sudden sharp movement of grinder may be experienced.

SURFACE FINISHING WITH SANDING FLAP DISCS

1. Allow the tool to reach full speed before touching the tool to the work surface.
2. Apply minimum pressure to work surface, allowing the tool to operate at high speed. Sanding rate is greatest when the tool operates at high speed.
3. Maintain a 5° to 10° angle between the tool and work surface.
4. Continuously move the tool in a forward and back motion to avoid creating gouges in the work surface.
5. Remove the tool from work surface before turning tool off. Allow the tool to stop rotating before laying it down.

USING SANDING BACKING PADS

Choose the proper grit sanding discs for your application. Sanding discs are available in various grits. Coarse grits yield faster material removal rates and a rougher finish. Finer grits yield slower material removal and a smoother finish. Begin with coarse grit discs for fast, rough material removal. Move to a medium grit paper and finish with a fine grit disc for optimal finish.

Coarse	16 - 30 grit
Medium	36 - 80 grit
Fine Finishing	100 - 120 grit
Very Fine Finishing	150 - 180 grit

1. Allow the tool to reach full speed before touching tool to the work surface.
2. Apply minimum pressure to work surface, allowing the tool to operate at high speed. Sanding rate is greatest when the tool operates at high speed.
3. Maintain a 5° to 15° angle between the tool and work surface. The sanding disc should contact approximately one inch (25mm) of work surface.
4. Move the tool constantly in a straight line to prevent burning and swirling of work surface. Allowing the tool to rest on the work surface without moving, or moving the tool in a circular motion causes burning and swirling marks on the work surface.

5. Remove the tool from work surface before turning tool off. Allow the tool to stop rotating before laying it down.

PRECAUTIONS TO TAKE WHEN SANDING PAINT

1. Sanding of lead based paint is NOT RECOMMENDED due to the difficulty of controlling the contaminated dust. The greatest danger of lead poisoning is to children and pregnant women.
2. Since it is difficult to identify whether or not a paint contains lead without a chemical analysis, we recommend the following precautions when sanding any paint:

PERSONAL SAFETY

1. No children or pregnant women should enter the work area where the paint sanding is being done until all clean up is completed.
2. A dust mask or respirator should be worn by all persons entering the work area. The filter should be replaced daily or whenever the wearer has difficulty breathing.
NOTE: Only those dust masks suitable for working with lead paint dust and fumes should be used. Ordinary painting masks do not offer this protection. See your local hardware dealer for the proper N.I.O.S.H. approved mask.
3. NO EATING, DRINKING or SMOKING should be done in the work area to prevent ingesting contaminated paint particles. Workers should wash and clean up BEFORE eating, drinking or smoking. Articles of food, drink, or smoking should not be left in the work area where dust would settle on them.

ENVIRONMENTAL SAFETY

1. Paint should be removed in such a manner as to minimize the amount of dust generated.
2. Areas where paint removal is occurring should be sealed with plastic sheeting of 4 mils thickness.
3. Sanding should be done in a manner to reduce tracking of paint dust outside the work area.

CLEANING AND DISPOSAL

1. All surfaces in the work area should be vacuumed and thoroughly cleaned daily for the duration of the sanding project. Vacuum filter bags should be changed frequently.
2. Plastic drop cloths should be gathered up and disposed of along with any dust chips or other removal debris. They should be placed in sealed refuse receptacles and disposed of through regular trash pick-up procedures. During clean up, children and pregnant women should be kept away from the immediate work area.
3. All toys, washable furniture and utensils

used by children should be washed thoroughly before being used again.

MAINTENANCE

If the replacement of the power supply cord is necessary, it must be done by an authorized service center or other qualified service personnel.

CLEANING

⚠WARNING: Blowing dust and grit out of the motor housing using compressed air is a necessary maintenance procedure. Dust and grit from metal grinding often accumulate on interior surfaces and could create an electrical shock hazard if not cleaned out.

Use only mild soap and a damp cloth to clean the tool. Never let any liquid get inside the tool; never immerse any part of the tool into a liquid.

IMPORTANT: To assure product SAFETY and RELIABILITY, repairs, maintenance and adjustment (other than those listed in this manual) should be performed by authorized service centers or other qualified service personnel, always using identical replacement parts.

LUBRICATION

BLACK+DECKER tools are properly lubricated at the factory and are ready for use. Tools should be lubricated regularly every year depending on usage. (Tools used on heavy duty jobs and tools exposed to heat may require more frequent lubrication.) This lubrication should be attempted only by trained power tool repair person such as those at BLACK+DECKER service centers or in other qualified service personnel.

REPLACEMENT PARTS

Use only identical replacement parts. For a parts list or to order parts, visit our service website at www.blackanddecker.com. You can also order parts from your nearest BLACK+DECKER Factory Service Center or BLACK+DECKER Authorized Warranty Service Center. Or, you can call our Customer Care Center at **1-800-544-6986**.

SERVICE AND REPAIRS

All quality tools will eventually require servicing and/or replacement of parts. For information about BLACK+DECKER, its factory service centers or authorized warranty service centers, visit our website at www.blackanddecker.com or call our Customer Care Center at **1-800-544-6986**. All repairs made by our service centers are fully guaranteed against defective material and workmanship. We cannot guarantee repairs made or attempted by others.

You can also write to us for information at BLACK+DECKER, 701 E. Joppa Road, Towson, Maryland 21286 - Attention: Product Service. Be sure to include all of the information shown on the nameplate of your tool (model number, type, serial number, etc.).

ACCESSORIES

⚠WARNING: The use of any accessory not recommended for use with this tool could be hazardous.

Recommended accessories for use with your tool are available from your local dealer or authorized service center. If you need assistance regarding accessories, please call: **1-800-544-6986**.

⚠WARNING: Handle and store all abrasive wheels carefully to prevent damage from thermal shock, heat, mechanical damage, etc. Store in a dry protected area free from high humidity, freezing temperatures, or extreme temperature changes.

SERVICE INFORMATION

All BLACK+DECKER Service Centers are staffed with trained personnel to provide customers with efficient and reliable power tool service. Whether you need technical advice, repair, or genuine factory replacement parts, contact the BLACK+DECKER location nearest you. To find your local service location, call **1-800-544-6986** or visit www.blackanddecker.com

LIMITED TWO-YEAR HOME USE WARRANTY

Black & Decker (U.S.) Inc. warrants this product for two years against any defects in material or workmanship. The defective product will be replaced or repaired at no charge in either of two ways.

The first, which will result in exchanges only, is to return the product to the retailer from whom it was purchased (provided that the store is a participating retailer). Returns should be made within the time period of the retailer's policy for exchanges (usually 30 to 90 days after the sale). Proof of purchase may be required. Please check with the retailer for their specific return policy regarding returns that are beyond the time set for exchanges. The second option is to take or send the product (prepaid) to a BLACK+DECKER owned or authorized Service Center for repair or replacement at our option. Proof of purchase may be required. This warranty does not apply to accessories. This warranty gives you specific legal rights and you may have

other rights which vary from state to state or province to province. Should you have any questions, contact the manager of your nearest BLACK+DECKER Service Center. This product is not intended for commercial use.

FREE WARNING LABEL

REPLACEMENT: If your warning labels become illegible or are missing, call **1-800-544-6986** for a free replacement.

LATIN AMERICA: This warranty does not apply to products sold in Latin America. For products sold in Latin America, check country specific warranty information contained in the packaging, call the local company or see the website for warranty information. the packaging, call the local company or see the website for warranty information.

TROUBLESHOOTING

Problem

- Unit will not start.

Possible Cause

- Cord not plugged in.
- Circuit fuse is blown.

- Circuit breaker is tripped.

- Cord or switch is damaged.

Possible Solution

- Plug tool into a working outlet.
- Replace circuit fuse. (If the product repeatedly causes the circuit fuse to blow, discontinue use immediately and have it serviced at a BLACK+DECKER service center or authorized servicer.)
- Reset circuit breaker. (If the product repeatedly causes the circuit breaker to trip, discontinue use immediately and have it serviced at a BLACK+DECKER service center or authorized servicer.)
- Have cord or switch replaced at a BLACK+DECKER Service Center or Authorized Servicer

For assistance with your product, visit our website www.blackanddecker.com for the location of the service center nearest you or call the BLACK+DECKER help line at **1-800-544-6986**.

Imported by
Black & Decker (U.S.) Inc.,
701 E. Joppa Rd.
Towson, MD 21286 U.S.A.



BLACK+ DECKER™

MEULEUSE D'ANGLE DE 114 MM (4-1/2 PO)

MODE D'EMPLOI

NUMERO DE CATALOGUE

BDEG400

Merci d'avoir choisi BLACK+DECKER! Consulter le site Web www.BlackandDecker.com/NewOwner pour enregistrer votre nouveau produit. **À LIRE AVANT DE RETOURNER CE PRODUIT POUR QUELQUE RAISON QUE CE SOIT :**

Si des questions ou des problèmes surgissent après l'achat d'un produit BLACK+DECKER, consulter le site Web www.blackanddecker.com/instantanswers pour obtenir des réponses instantanément 24 heures par jour. Si la réponse est introuvable ou en l'absence d'accès à l'Internet, composer le 1 800 544-6986 de 8 h à 17 h HNE, du lundi au vendredi, pour parler avec un agent. Prière d'avoir le numéro de catalogue sous la main lors de l'appel.

Pour l'achat d'un filtre de rechange composer le 1-888-678-7278
CONSERVER CE MODE D'EMPLOI POUR UN USAGE ULTÉRIEUR.

Consulter le site Web www.BlackandDecker.com/NewOwner pour enregistrer votre nouveau produit.

LIGNES DIRECTRICES EN MATIÈRE DE SÉCURITÉ - DÉFINITIONS

Il est important que vous lisiez et compreniez ce mode d'emploi. Les informations qu'il contient concernent VOTRE SÉCURITÉ et visent à ÉVITER TOUT PROBLÈME. Les symboles ci-dessous servent à vous aider à reconnaître cette information.

⚠ DANGER : Indique une situation dangereuse imminente qui, si elle n'est pas évitée, causera la mort ou des graves blessures.

⚠ AVERTISSEMENT : Indique une situation potentiellement dangereuse qui, si elle n'est pas évitée, pourrait causer la mort ou de graves blessures.

⚠ MISE EN GARDE : Indique une situation potentiellement dangereuse qui, si elle n'est pas évitée, pourrait causer des blessures mineures ou modérées.

AVIS : Utilisé sans le symbole d'alerte à la sécurité, indique une situation potentiellement dangereuse qui, si elle n'est pas évitée, peut résulter en des dommages à la propriété.

AVERTISSEMENTS DE SÉCURITÉ GÉNÉRAUX POUR LES OUTILS ÉLECTRIQUES

⚠ AVERTISSEMENT : Lire tous les avertissements de sécurité et toutes les directives. Le non-respect des avertissements et des directives pourrait se solder par un choc électrique, un incendie et/ou une blessure grave.

Conserver tous les avertissements et toutes les directives pour un usage ultérieur.

Le terme «outil électrique» cité dans les avertissements se rapporte à votre outil électrique à alimentation sur secteur (avec fil) ou par piles (sans fil).

1) Sécurité du lieu de travail

- Tenir la zone de travail propre et bien éclairée.** *Les endroits sombres sont souvent des causes d'accidents.*
- Ne pas faire fonctionner d'outils électriques dans un milieu déflamant, soit en présence de liquides inflammables, de gaz ou de poussière.** *Les outils électriques produisent des étincelles qui peuvent enflammer la poussière ou les vapeurs.*
- Éloigner les enfants et les curieux au moment d'utiliser un outil électrique.** *Une distraction pourrait vous en faire perdre la maîtrise.*

2) Sécurité en matière d'électricité

- Les fiches des outils électriques doivent correspondre à la prise. Ne jamais modifier la fiche en aucune façon. Ne jamais utiliser de fiche d'adaptation avec un outil électrique mis à la terre.** *Le risque de choc électrique sera réduit par l'utilisation de fiches non modifiées correspondant à la prise.*
- Éviter tout contact physique avec des surfaces mises à la terre comme des tuyaux, des radiateurs, des cuisinières et des réfrigérateurs.** *Le risque de choc électrique est plus élevé si votre corps est mis à la terre.*
- Ne pas exposer les outils électriques à la pluie ou à d'autres conditions où il pourrait être mouillé.** *La pénétration de l'eau dans un outil électrique augmente le risque de choc électrique.*
- Ne pas utiliser abusivement le cordon d'alimentation. Ne jamais utiliser le cordon pour transporter, tirer ou débrancher un outil électrique. Tenir le cordon éloigné de la chaleur, de l'huile, des bords tranchants ou des pièces mobiles.** *Les cordons endommagés ou emmêlés augmentent les risques de choc électrique.*
- Pour l'utilisation d'un outil électrique à l'extérieur, se servir d'une rallonge**

convenant à une telle utilisation. *L'utilisation d'une rallonge conçue pour l'extérieur réduit les risques de choc électrique.*

f) S'il est impossible d'éviter l'utilisation d'un outil électrique dans un endroit humide, brancher l'outil dans une prise ou sur un circuit d'alimentation dotés d'un disjoncteur de fuite à la terre (GFCI). *L'utilisation de ce type de disjoncteur réduit les risques de choc électrique.*

3) Sécurité personnelle

- Être vigilant, surveiller le travail effectué et faire preuve de jugement lorsqu'un outil électrique est utilisé. Ne pas utiliser d'outil électrique en cas de fatigue ou sous l'influence de drogues, d'alcool ou de médicaments.** *Un simple moment d'inattention en utilisant un outil électrique peut entraîner des blessures corporelles graves.*
 - Utiliser des équipements de protection individuelle. Toujours porter une protection oculaire.** *L'utilisation d'équipements de protection comme un masque antipoussière, des chaussures antidérapantes, un casque de sécurité ou des protecteurs auditifs lorsque la situation le requiert réduira les risques de blessures corporelles.*
 - Empêcher les démarrages intempestifs. S'assurer que l'interrupteur se trouve à la position d'arrêt avant de relier l'outil à une source d'alimentation et/ou d'insérer un bloc-piles, de ramasser ou de transporter l'outil.** *Transporter un outil électrique alors que le doigt repose sur l'interrupteur ou brancher un outil électrique dont l'interrupteur est à la position de marche risque de provoquer un accident.*
 - Retirer toute clé de réglage ou clé standard avant de démarrer l'outil.** *Une clé standard ou une clé de réglage attachée à une partie pivotante peut causer des blessures.*
 - Ne pas trop tendre les bras. Conserver son équilibre en tout temps. Cela permet de mieux maîtriser l'outil électrique dans les situations imprévues.**
 - S'habiller de manière appropriée. Ne pas porter de vêtements amples ni de bijoux. Garder les cheveux, les vêtements et les gants à l'écart des pièces mobiles. Les vêtements amples, les bijoux ou les cheveux longs risquent de rester coincés dans les pièces mobiles.**
 - Si des composants sont fournis pour le raccordement de dispositifs de dépoussiérage et de ramassage, s'assurer que ceux-ci sont bien raccordés et utilisés.** *L'utilisation d'un dispositif de dépoussiérage peut réduire les dangers engendrés par les poussières.*
- ## 4) Utilisation et entretien d'un outil électrique
- Ne pas forcer un outil électrique.**

Utiliser l'outil électrique approprié à l'application. *L'outil électrique approprié effectuera un meilleur travail, de façon plus sûre et à la vitesse pour laquelle il a été conçu.*

- b) **Ne pas utiliser un outil électrique dont l'interrupteur est défectueux.** *Tout outil électrique dont l'interrupteur est défectueux est dangereux et doit être réparé.*
- c) **Débrancher la fiche du secteur ou le bloc-piles de l'outil électrique avant de faire tout réglage ou changement d'accessoire, ou avant de ranger l'outil électrique.** *Ces mesures préventives réduisent les risques de démarrage accidentel de l'outil électrique.*
- d) **Ranger les outils électriques hors de la portée des enfants, et ne permettre à aucune personne n'étant pas familière avec un outil électrique (ou son manuel d'instruction) d'utiliser ce dernier.** *Les outils électriques deviennent dangereux entre les mains d'utilisateurs inexpérimentés.*
- e) **Entretien des outils électriques.** **Vérifier les pièces mobiles pour s'assurer qu'elles sont bien alignées et tournent librement, qu'elles sont en bon état et ne sont affectées par aucun trouble susceptible de nuire au bon fonctionnement de l'outil électrique.** *En cas de dommage, faire réparer l'outil électrique avant toute nouvelle utilisation. Beaucoup d'accidents sont causés par des outils électriques mal entretenus.*
- f) **S'assurer que les outils de coupe sont aiguisés et propres.** *Les outils de coupe bien entretenus et affûtés sont moins susceptibles de se coincer et sont plus faciles à contrôler.*
- g) **Utiliser l'outil électrique, les accessoires, les forets, etc. conformément aux présentes directives en tenant compte des conditions de travail et du travail à effectuer.** *L'utilisation d'un outil électrique pour toute opération autre que celle pour laquelle il a été conçu est dangereuse.*

5 Réparation

- a) **Faire réparer l'outil électrique par un réparateur professionnel en n'utilisant que des pièces de rechange identiques.** *Cela permettra de maintenir une utilisation sécuritaire de l'outil électrique.*

brosse métallique ou de coupe

- a) **Cet outil électrique est conçu pour fonctionner comme une meule, une ponceuse, une brosse métallique ou un outil de coupe.** **Lire tous les avertissements de sécurité, les directives, les illustrations et les spécifications fournies avec cet outil électrique.** *Négliger de suivre l'ensemble des directives suivantes pourrait entraîner des risques de choc électrique, d'incendie et/ou de blessures graves.*
- b) **Opérations telles que le polissage ne sont pas recommandées à effectuer avec cet outil électrique.** *Opérations pour lesquelles l'outil électrique ne visait pas peuvent constituer un danger et causer des blessures.*
- c) **Ne pas utiliser d'accessoire non conçu spécifiquement pour cet outil ou qui n'aurait pas reçu une approbation spécifique du fabricant de l'outil.** *En effet, il est parfois possible de fixer un accessoire à l'outil électrique; toutefois, cela ne garantit pas une utilisation sécuritaire.*
- d) **Le régime nominal de l'accessoire doit être au moins égal au régime maximal inscrit sur l'outil électrique.** *Les accessoires soumis à un régime plus élevé que celui pour lequel ils sont conçus peuvent se briser et être projetés.*
- e) **Le diamètre externe et l'épaisseur de l'accessoire doivent être adéquats pour la capacité de l'outil électrique.** *Il est impossible de protéger l'utilisateur d'un bris d'accessoire de mauvais calibre ou de le maîtriser correctement.*
- f) **Montage fileté d'accessoires doit correspondre au filetage de la broche de rectifieuse.** *Pour les accessoires montés par des brides, le trou de l'arbre de l'accessoire doit s'adapter au diamètre de positionnement de la bride.* *Des accessoires qui ne correspondent pas au matériel de montage de l'outil de puissance seront épuisées d'équilibre, vibrer excessivement et peut entraîner une perte de contrôle.*
- g) **Ne jamais utiliser un accessoire endommagé.** **Avant toute utilisation, inspecter la meule abrasive à la recherche d'éclats et de fissures; le tampon pour tout signe de fissures, déchirures ou d'usure excessive; et la brosse métallique, pour déceler s'il y a des fils métalliques fissurés ou détachés.** **En cas de chute de l'outil ou de l'accessoire, les inspecter à la recherche de dommages ou insérer un accessoire**

CONSIGNES DE SÉCURITÉ POUR TOUTES LES OPÉRATIONS

Avertissements de sécurité communs à toutes les opérations de meulage, ponçage, brossage à l'aide d'une

non endommagé. Après l'inspection et l'insertion d'un accessoire, se positionner (l'utilisateur ou quiconque aux alentours) hors du plan de rotation de l'accessoire et faire tourner, pendant une minute, l'outil électrique à plein régime, à vide. Normalement, tout accessoire endommagé se brisera au cours de cette période d'essai.

- h) Porter un équipement de protection individuelle. Utiliser un masque facial, des lunettes de sécurité ou des lunettes protectrices en fonction de l'application. Au besoin, porter un masque antipoussières, des protecteurs auditifs, des gants et un tablier d'atelier capable d'arrêter de petits fragments d'abrasifs ou de pièces.** La protection oculaire doit être en mesure d'arrêter tout débris produit par les diverses opérations et le masque antipoussières ou le respirateur, de filtrer les particules produites par l'opération en cours. Une exposition prolongée à un bruit d'intensité élevée pourrait causer une perte auditive.
- i) Éloigner tout observateur à une distance sécuritaire de la zone de travail. Toute personne qui pénètre dans la zone de travail devra également porter un équipement de protection individuelle.** Il est possible qu'un fragment de pièce ou un accessoire brisé soit projeté et provoque des blessures au-delà de la zone immédiate de travail.
- j) Tenir l'outil électrique uniquement par sa surface de prise isolée dans une situation où l'accessoire de coupe pourrait entrer en contact avec un câble électrique dissimulé ou avec son propre cordon d'alimentation.** Tout contact entre un fil « sous tension » et l'accessoire de coupe pourrait également mettre « sous tension » les pièces métalliques exposées de l'outil et électrocuter l'opérateur.
- k) Position du cordon claire de l'accessoire en rotation.** Si vous perdez le contrôle, le cordon peut être coupé ou accroché et votre main ou le bras peut être tiré dans l'accessoire en rotation.
- l) Ne jamais déposer l'outil électrique avant l'immobilisation complète de l'accessoire.** L'accessoire en mouvement risquerait de mordre dans la surface et de projeter l'outil électrique.
- m) Mettre l'outil hors tension pour tout déplacement de celui-ci par l'utilisateur.** Un contact accidentel avec l'accessoire en mouvement
- pourrait happer les vêtements de l'opérateur et projeter l'accessoire contre son corps.
- n) Nettoyer régulièrement les événements de l'outil électrique.** Le ventilateur du moteur aspirera la poussière à l'intérieur du boîtier. Une accumulation excessive de poudre métallique représente un danger d'origine électrique.
- o) Ne pas faire fonctionner l'outil électrique à proximité de matières inflammables.** Les étincelles produites risquent de les enflammer.
- p) Ne pas utiliser d'accessoires qui exigent l'utilisation d'un liquide de refroidissement.** L'utilisation d'eau ou de tout autre liquide de refroidissement pourrait se solder par une électrocution ou une secousse électrique.
- q) Ne jamais utiliser de meules de type 11 (boisseau conique) sur cet outil.** L'utilisation d'accessoires inadéquats peut se solder par des blessures.
- r) Toujours se servir de la poignée latérale.** La fixer solidement. La poignée latérale doit être utilisée pour maîtriser l'outil en tout temps.
- s) Lors du démarrage de l'outil avec une meule ou une brosse métallique neuve ou de rechange, placer l'outil dans une zone bien protégée et le laisser fonctionner pendant une minute.** Si la meule comporte une fissure ou une fêlure non détectée, elle devrait éclater en moins d'une minute. Si des fils se détachent de la brosse métallique, ils seront également détectés. Ne jamais démarrer l'outil lorsque quelqu'un est aligné avec la meule. Cela inclut l'opérateur.
- t) Pour éviter que le bout de la broche ne touche le fond du trou du produit abrasif, utiliser des accessoires avec un trou fileté d'une profondeur d'au moins 21 mm. L'utilisation d'un accessoire dont la profondeur du filetage n'est pas suffisante risque de causer des dommages au produit abrasif et des blessures à l'utilisateur ou à des personnes à proximité**
- u) Le trou pour arbre d'entraînement des meules, brides, tampons ou de tout autre accessoire doit s'ajuster correctement à la broche de l'outil électrique;** autrement, l'outil sera déséquilibré, vibrera excessivement et risquerait de provoquer une perte de maîtrise.

CAUSES DE L'EFFET DE REBOND ET PRÉVENTION PAR L'OPÉRATEUR

L'effet de rebond est une réaction soudaine d'une meule, d'un tampon, d'une brosse ou d'un tout autre accessoire, en mouvement, qui est pincé ou qui s'accroche. Un pincement ou

un accrochage provoque un arrêt rapide de l'accessoire en mouvement qui, à son tour, projette l'outil électrique, hors de maîtrise, dans la direction opposée à la rotation de l'outil au point de grippage. Par exemple, si une meule abrasive se pince ou s'accroche dans la pièce, le bord de la meule introduite au point de pincement peut mordre dans la surface de la pièce et projeter la meule hors de la rainure. La meule peut être projetée vers l'opérateur ou dans la direction opposée selon le sens de rotation de la meule au point de pincement.

Il est également possible que les meules abrasives se brisent dans ces conditions. Un effet de rebond est le résultat d'une mauvaise utilisation de l'outil et/ou de procédures ou conditions de fonctionnement incorrectes. Il peut être évité en prenant les précautions nécessaires telles que décrites ci-dessous :

- a) **Saisir fermement l'outil électrique et positionner le corps et les bras de sorte à résister à la force de l'effet de rebond. Utiliser toujours la poignée auxiliaire, s'il y en a une, pour contrôler au maximum l'effet de rebond ou le couple de réaction au démarrage.** Avec de bonnes précautions, l'opérateur est en mesure de contrôler le couple de réaction ou l'effet de rebond.
- b) **Ne jamais placer les mains près de l'accessoire en mouvement.** Il pourrait en effet être projeté sur celles-ci en cas de rebond.
- c) **Ne pas positionner le corps dans la trajectoire probable de l'outil électrique, en cas de rebond.** Au moment du grippage, l'outil sera projeté dans la direction opposée au déplacement de la meule.
- d) **Être particulièrement attentif lors de travaux dans un coin, sur des bords tranchants, etc. Éviter de faire rebondir l'accessoire. Éviter tout type de grippage de l'accessoire.** Un travail dans un coin ou sur des bords tranchants ou un travail en faisant rebondir l'accessoire provoquent souvent un grippage et une perte de maîtrise de l'outil ou un effet de rebond.
- e) **Ne pas fixer de lame de tronçonneuse pour sculpter le bois ou de lame de scie dentée.** Ces types de lames provoquent des effets de rebond et des pertes de maîtrise fréquents.

AVERTISSEMENTS DE SÉCURITÉ SPÉCIFIQUES AUX OPÉRATIONS DE MEULAGE ET DE COUPE PAR ABRASION

- a) **Utiliser uniquement les types de meules recommandés pour l'outil électrique ainsi que le capot protecteur particulier conçu pour la meule sélectionnée.** Il est impossible de bien protéger l'opérateur lors de l'utilisation de

meules non conçues pour l'outil. En effet, le capot protecteur sera alors inadéquat et l'utilisation de la meule, dangereuse.

- b) **La surface de meulage de roues centrales dépression doit être montée au-dessous du plan de la lèvre de protection.** Une roue mal montée qui projette à travers le plan de la lèvre de protection ne peut être protégée de manière adéquate.
- c) **Il faut fixer solidement le capot protecteur à l'outil électrique et le positionner pour maximiser la sécurité de l'opérateur, soit en minimisant la surface exposée de la meule en direction de l'opérateur.** En effet, le capot protecteur sert à protéger l'opérateur contre la projection de fragments de meule brisée et de contact accidentel avec celle-ci.
- d) **Utiliser uniquement les meules pour les applications prévues pour chacune d'entre elles. Par exemple : ne pas meuler avec le bord d'une meule tronçonneuse.** Les meules tronçonneuses par abrasion sont conçues pour travailler en périphérie. L'application de forces latérales sur ces meules risquerait de les faire éclater.
- e) **Toujours utiliser des brides de meule intactes, de la bonne dimension et de la forme appropriée pour la meule sélectionnée.** Les brides de meule appropriées supportent bien la meule et réduisent ainsi la possibilité d'un bris de meule. Les brides conçues pour les meules tronçonneuses pourraient différer des brides pour meules à ponçage.
- f) **Ne pas utiliser de meule usée en provenance d'outil de dimension plus importante.** Ces meules, prévues pour un outil électrique plus grand, ne conviennent pas au régime plus élevé d'un outil de plus petite dimension et pourraient éclater.

AVERTISSEMENTS DE SÉCURITÉ SUPPLÉMENTAIRES SPÉCIFIQUES AUX OPÉRATIONS DE COUPE PAR ABRASION

- a) **Ne pas « coincer » la meule tronçonneuse ou ne pas appliquer une pression excessive. Ne pas essayer de couper à une profondeur trop importante.** Une contrainte excessive sur la meule accroîtra la charge et la possibilité de tordre ou de gripper la meule dans le trait de coupe et ainsi provoquer un effet de rebond ou un bris de la meule.
- b) **Ne pas positionner le corps sur la trajectoire de la meule en mouvement ni derrière celle-ci.** Lorsque la meule,

au point de contact avec la pièce, s'éloigne du corps de l'opérateur, un effet de rebond potentiel risque de projeter la meule en rotation, ainsi que l'outil, en direction de l'utilisateur.

- c) **Lorsque la meule se grippe ou lors de l'arrêt d'une coupe pour une raison quelconque, mettre l'outil hors tension et maintenir l'outil immobile jusqu'à l'arrêt complet de la meule. Ne jamais essayer de retirer la meule tronçonneuse du trait de coupe alors que celle-ci est encore en mouvement. Une telle pratique risquerait de provoquer un effet de rebond.** Rechercher et prendre l'action corrective nécessaire pour éliminer les causes du grippage de la meule.
- d) **Ne pas reprendre la coupe avec la meule dans le trait de coupe de la pièce. Attendre que la meule soit à plein régime puis la réinsérer soigneusement dans le trait de coupe.** Si l'outil électrique redémarrait avec la meule appuyée sur la pièce, celle-ci risquerait de gripper, de se déplacer ou de reculer.
- e) **Pour réduire le risque de pincement ou de recul de la meule, soutenir les panneaux ou toute autre pièce surdimensionnée.** Les grandes pièces tendent à s'affaisser sous leur propre poids. Disposer des appuis sous la pièce, le long de la ligne de coupe et près du bord de la pièce, des deux côtés de la meule.
- f) **Faire particulièrement attention lors de la réalisation de « découpe en poche » dans des murs existants ou d'autres zones sans visibilité.** La portion de la meule faisant saillie risque de couper un tuyau d'alimentation en eau ou en gaz, des fils électriques ou des objets pouvant provoquer un effet de rebond.
- g) **Il est recommandé d'utiliser de meulage / tronçonnage pas plus épais que 1/4 po (6 mm) d'épaisseur et pas plus de 114mm (4-1/2 pouces) de diamètre.**

AVERTISSEMENTS DE SÉCURITÉ SPÉCIFIQUES AUX OPÉRATIONS DE PONÇAGE

- a) **Ne pas utiliser un papier pour disque abrasif excessivement surdimensionné. Respecter les recommandations des fabricants lors de la sélection du papier abrasif.** Un papier abrasif plus grand que le plateau de ponçage représente un risque de laceration. Le papier risque également de s'accrocher, de se déchirer ou de provoquer un effet de rebond.

AVERTISSEMENTS DE SÉCURITÉ SPÉCIFIQUES AUX OPÉRATIONS UTILISANT UNE BROSSSE MÉTALLIQUE

- a) **Être attentif, car la brosse peut projeter des soies métalliques même lors de travaux normaux. Ne pas surcharger la brosse en appliquant une force excessive sur celle-ci.** Les soies métalliques pénètrent facilement les vêtements légers ou la peau.
- b) **Si l'utilisation d'un capot protecteur est recommandée avec la brosse métallique, s'assurer qu'il n'interfère pas avec la rotation de la brosse métallique à touret ou de la brosse métallique.** En cours de travail et sous la force centrifuge, le diamètre de la brosse métallique à touret ou de la brosse métallique s'accroît.
- c) **Lunettes de sécurité : L'opérateur ainsi que toute personne se trouvant à 15 m (50 pi) du produit ou de l'accessoire en utilisation doivent porter des lunettes de sécurité pourvues d'écrans latéraux et un écran facial complet en conformité avec la norme ANSI Z87.1 sur la protection oculaire (CAN/CSA Z94.3).**

CONSIGNE DE SÉCURITÉ SUPPLÉMENTAIRE

- ⚠ **MISE EN GARDE :** n'utilisez pas de meules d'abrasif ou diamant de tronçonnage plat Type 1 sans protecteur convenant de Type 1
- ⚠ **AVERTISSEMENT :** toujours utiliser une protection oculaire. Tous les utilisateurs et personnes à proximité doivent porter une protection oculaire conforme à la norme ANSI Z87.1.
- ⚠ **AVERTISSEMENT :** TOUJOURS porter des lunettes de sécurité. Les lunettes de vue ne constituent PAS des lunettes de sécurité. Utiliser également un masque facial ou anti-poussière si l'opération de découpe génère de la poussière. **TOUJOURS PORTER UN ÉQUIPEMENT DE PROTECTION HOMOLOGUÉ :**
- protection oculaire conforme à la norme ANSI Z87.1 (CAN/CSA Z94.3);
 - protection auditive ANSI S12.6 (S3.19);
 - protection des voies respiratoires conformes aux normes NIOSH/OSHA/MSHA.
- ⚠ **AVERTISSEMENT :** certains outils électriques, tels que les sableuses, les scies, les meules, les perceuses ou certains autres outils de construction, peuvent produire de la poussière contenant des produits chimiques reconnus par l'État de la Californie comme étant susceptibles d'entraîner le cancer, des

malformations congénitales ou pouvant être nocifs pour le système reproductif. Parmi ces produits chimiques, on retrouve :

- le plomb dans les peintures à base de plomb,
- la silice cristalline dans les briques et le ciment et autres produits de maçonnerie.
- l'arsenic et le chrome dans le bois de sciage ayant subi un traitement chimique.

Le risque associé à de telles expositions varie selon la fréquence avec laquelle on effectue ces travaux. Pour réduire l'exposition à de tels produits, il faut travailler dans un endroit bien aéré et utiliser le matériel de sécurité approprié, tel un masque anti-poussières spécialement conçu pour filtrer les particules microscopiques.

- **Éviter tout contact prolongé avec la poussière soulevée par cet outil ou autres outils électriques. Porter des vêtements de protection et nettoyer les parties exposées du corps à l'eau savonneuse.** S'assurer de bien se protéger afin d'éviter d'absorber par la bouche, les yeux ou la peau des produits chimiques nocifs.

⚠ AVERTISSEMENT : Cet outil peut produire et répandre de la poussière susceptible de causer des dommages sérieux et permanents au système respiratoire. Toujours utiliser un appareil respiratoire anti-poussières approprié approuvé par le NIOSH ou l'OSHA. Diriger les particules dans le sens opposé du visage et du corps.

⚠ AVERTISSEMENT : ne pas utiliser cet outil pour de longues périodes. Les vibrations causées par l'action d'utilisation de cet outil peuvent causer des préjudices permanente aux doigts, les mains et les bras. Utilisez des gants offrent des coussin d'appoint, prendre des pauses fréquentes, et limiter la durée quotidienne d'utilisation.

⚠ AVERTISSEMENT : lorsqu'elle est inutilisée, déposer la meuleuse sur une surface stable où elle sera immobile et ne risquera pas de rouler ou de faire trébucher ou chuter quiconque. La meuleuse peut être placée à la verticale, sur son bloc-piles mais elle peut ainsi facilement être renversée. Une telle pratique peut entraîner des blessures corporelles graves.

⚠ AVERTISSEMENT : La roue de meulage ou l'accessoire peut desserrer au cours de la côte en bas de l'outil s'arrête lorsque. Si le grincement des roues ou accessoire se desserre, il peut descendre de la machine et peut entraîner des blessures.

⚠ MISE EN GARDE : pour réduire le risque de blessure corporelle, être encore plus prudent lors de travaux dans un coin ou sur un rebord. En effet, le contact inopiné de la meule ou d'un autre accessoire sur une surface indirecte ou un rebord pourrait provoquer un mouvement brusque et soudain de l'outil.

- En cas d'utilisation d'une rallonge, s'assurer que les valeurs nominales de la rallonge utilisée correspondent bien à celles de l'outil alimenté. L'usage d'une rallonge de calibre insuffisant causera une chute de tension entraînant perte de puissance et surchauffe. Le tableau ci-dessous illustre les calibres à utiliser selon la longueur de rallonge et l'intensité nominale indiquée sur la plaque signalétique. En cas de doutes, utiliser le calibre suivant. Plus le calibre est petit, plus la rallonge peut supporter de courant.

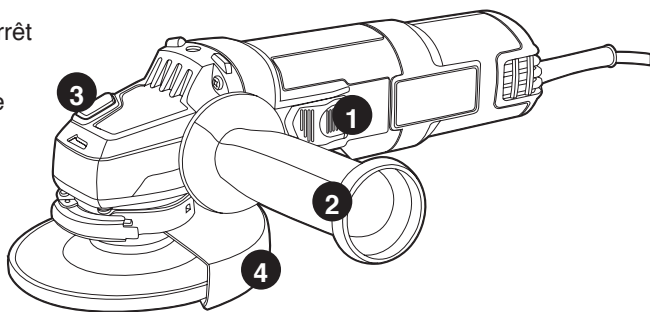
		Calibre minimal des cordons de rallonge			
Tension		Longueur totale du cordon en pieds			
120V		0-25 (0-7,6m)	26-50 (7,6-15,2m)	51-100 (15,2-30,4m)	101-150 (30,4-45,7m)
Intensité (A)		Calibre moyen des fils (AWG)			
Au moins	Au plus				
6	10	18	16	14	12

SYMBOLES

- L'étiquette apposée sur votre outil pourrait comprendre les symboles suivants. Les symboles et leurs définitions sont indiqués ci-après :
- V volts
- A ampères
- Hz hertz
- W watts
- min minutes
- ~ ou AC.....courant alternatif
- === ou DC.....courant continu
- n sous vide
- ⚠ Construction de classe I
- ⊕ borne de mise à la minute (mis à la terre)
- ⊠ Construction de classe II
- ⚠ symbole d'avertissement
- RPM ou .../min.....tours à la minute
- 👤 Lire le mode d'emploi avant l'utilisation
- 👁 Utiliser une protection respiratoire adéquate.
- 👁 Utiliser une protection oculaire adéquate.
- 👂 Utiliser une protection auditive adéquate.

DESCRIPTION FONCTIONNELLE

1. Interrupteur marche/arrêt
2. Poignée auxiliaire
3. Bouton de verrouillage de la broche
4. Pare-main



ASSEMBLAGE

⚠ AVERTISSEMENT : afin d'éviter une fausse manoeuvre, éteindre et débrancher l'outil avant d'effectuer les opérations suivantes. Le non-respect de cette directive risquerait d'entraîner des blessures corporelles graves.

POIGNÉE AUXILIAIRE

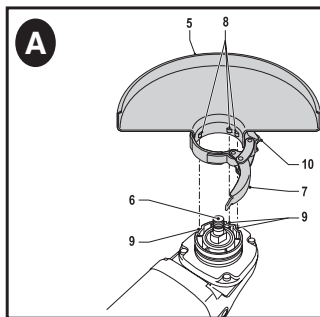
⚠ AVERTISSEMENT : Utiliser EN TOUT TEMPS cette poignée pour conserver la pleine maîtrise de l'outil. Une poignée auxiliaire à 3 positions est comprise avec votre meuleuse, qui se visse d'un côté ou de l'autre ou sur le dessus du boîtier du carter d'engrenage.

ASSEMBLAGE DU CAPOT PROTECTEUR

Il est impératif d'utiliser les capots protecteurs avec l'ensemble des meules, des disques de ponçage à lamelles, des brosses métalliques, des meules tronçonneuses et des brosses métalliques à touret. Il est possible d'utiliser l'outil sans capot protecteur uniquement lors de ponçage avec des disques abrasifs classiques. Le modèle BDEG400 est livré avec un capot protecteur dont l'utilisation est prévue pour des meules à moyeu déporté (type 27) et à centre incurvé (type 27). Le même capot protecteur s'utilise avec les disques de ponçage à lamelles (type 27 et type 29) et les brosses forme coupelle. Le meulage et le tronçonnage avec des meules autres que les types 27 et 29 exigent des protecteurs d'accessoires différents.

1. **Figure A :** dégager le verrou du capot protecteur (7) et aligner les pattes du capot protecteur (8) avec les fentes du couvercle du carter d'engrenage (9).
2. Enfoncer le capot jusqu'à ce que les pattes de celui-ci s'engagent et tournent librement dans les rainures du moyeu du carter d'engrenage.

3. Tourner le capot protecteur à la position de travail voulue alors que le verrou est désengagé. Le 9 corps du capot devrait être placé entre la broche et l'opérateur pour maximiser la protection de ce dernier.
4. Engager le verrou du capot protecteur (7) pour le fixer sur le carter d'engrenage. Une fois le verrou engagé, il devrait être impossible de faire tourner le capot à la main. Ne pas utiliser la meuleuse avec un capot protecteur lâche ou un verrou du capot en position ouverte.
5. Pour retirer le capot protecteur, dégager le verrou du capot, tourner le capot de sorte que les pattes et les fentes s'alignent, puis tirer sur celui-ci.



RÉGLAGE DU CAPOT PROTECTEUR

Remarque : le capot protecteur est pré-réglé en usine pour correspondre au diamètre du moyeu du carter d'engrenage. Si, après un certain temps, le capot protecteur se desserre, visser la vis de réglage (10) avec le verrou en position fermée et le capot inséré sur l'outil.

⚠ MISE EN GARDE : ne pas serrer la vis de réglage avec le verrou en position ouverte. Une telle pratique pourrait endommager le capot protecteur ou le moyeu de montage de façon imperceptible.

⚠ MISE EN GARDE : s'il est impossible de resserrer le capot protecteur à l'aide de son verrou, ne pas utiliser l'outil. Rapporter l'outil et le capot à un centre de réparation pour réparer ou remplacer le capot protecteur.

DÉMONTER LA GRILLE DE PROTECTION

⚠ AVERTISSEMENT : Toujours utiliser la garde lorsque vous utilisez l'outil, sauf lorsque le ponçage.

- Libérer le loquet de protection (7).
- Faire pivoter la garde vers la droite pour aligner les pattes (8) avec les encoches (9).
- Retirer la garde de l'outil.

INSTALLATION ET DÉPOSE DES DISQUES DE MEULAGE OU DE COUPE (FIG. B - D)

Toujours utiliser le bon type de disque pour l'application. Toujours utiliser des disques du diamètre et de l'alésage appropriés (voir les données techniques).

INSTALLATION

- Installer le pare-main selon les indications ci-dessus.
- Insérer la bride interne (11) sur la broche (6) comme dans l'illustration (fig. B). S'assurer que la bride est bien située sur les côtés plats de la broche.
- Insérer le disque (12) sur la broche (6) comme dans l'illustration (fig. B). Si le disque est surélevé au centre (13), s'assurer que la partie centrale surélevée fait face à la bride interne.
- S'assurer que le disque s'insère correctement contre la bride interne.
- Insérer la bride externe (14) sur la broche. Lors de l'utilisation d'un disque de meulage, le centre surélevé de la bride externe doit faire face au disque (**A dans la fig. C**). Lors de l'utilisation d'un disque de coupe, le centre surélevé de la bride externe doit faire face au côté opposé du disque (**B dans la fig. C**).
- Tenir enfoncé le bouton de verrouillage de la broche (4), puis serrer la bride externe à l'aide de la clé à double tête pour écrou (15) (**fig. D**).

DÉPOSE

- Tenir enfoncé le bouton de verrouillage de la broche (4), puis desserrer la bride externe (14) à l'aide de la clé à double tête pour écrou (15) (**fig. D**).
- Déposer la bride externe (14) et le disque (11).

INSTALLATION ET DÉPOSE DES DISQUES DE PONÇAGE ET TAMPONS POUR LE PONÇAGE (FIG. D ET E)

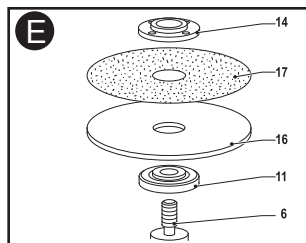
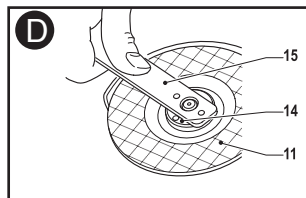
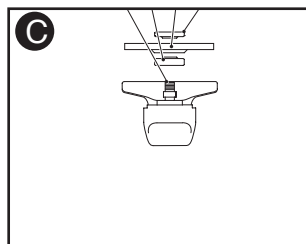
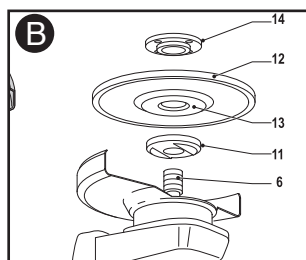
Pour le ponçage, un tampon d'appui est nécessaire. Les détaillants BLACK+DECKER offrent le tampon d'appui comme accessoire.

REMARQUÉ : Il est possible de retirer le pare-main si des tampons pour le ponçage sont utilisés.

⚠ AVERTISSEMENT : Une fois le ponçage terminé, réinstaller le pare-main adéquat pour les opérations utilisant une meule, un disque de ponçage à lamelles, un disque de coupe, une brosse métallique ou une brosse métallique à touret.

INSTALLATION

- Insérer la bride interne (11) sur la broche (6) comme dans l'illustration (fig. E). S'assurer que la bride est bien située sur les côtés plats de la broche.
- Mettre le tampon d'appui (16) sur la broche.



- Mettre le disque de ponçage (17) sur le tampon d'appui.
- Placer la bride externe (14) sur la broche, de manière à ce que le centre surélevé soit opposé au disque.
- Tenir enfoncé le bouton de verrouillage de la broche (3), puis serrer la bride externe à l'aide de la clé à double tête pour écrou (15) (fig. D). S'assurer que la bride externe est installée correctement et que le disque est serré solidement.

DÉPOSE

- Tenir enfoncé le bouton de verrouillage de la broche (3), puis desserrer la bride externe (14) à l'aide de la clé à double tête pour écrou (15) (fig. D).
- Déposer la bride externe (14), le disque de ponçage (17) et le tampon d'appui (16).

ASSEMBLAGE ET UTILISATION DES BROSSES MÉTALLIQUES ET DE BROSSES MÉTALLIQUES À TOURET

Les brosses forme coupelle et les brosses métalliques à touret se vissent directement sur la broche de la meuleuse sans l'utilisation de brides. Utiliser uniquement des brosses métalliques ou des brosses métalliques à touret avec un moyeu à 11 filets de 15,9 mm (5/8 po) de diamètre. Un capot protecteur pour meules de type 27 est exigé lors de l'utilisation de brosses métalliques et de brosses métalliques à touret.

MONTAGE DE BROSSES FORME COUPELLE ET DE BROSSES MÉTALLIQUES À TOURET

Eteindre l'outil et débranchez l'outil avant d'effectuer tout réglage et d'enlever ou d'installer tout accessoire.

1. Visser à la main la coupelle sur la broche.
2. Enfoncer le bouton de verrouillage de la broche et utiliser une clé à ouverture fixe sur le moyeu de la brosse métallique à touret pour bien la serrer.
3. Pour la retirer, inverser la procédure décrite ci-dessus.

Un moyeu de meule mal assis avant le démarrage de l'outil risquerait d'endommager l'outil ou la meule.

FONCTIONNEMENT

⚠ AVERTISSEMENT : Cet outil ne devrait pas être utilisé à une température inférieure à -20°C (-4°F) ou supérieure à 40°C (104°F).

MISE EN MARCHÉ ET ARRÊT

⚠ MISE EN GARDE : Tenir fermement la poignée auxiliaire et le corps de l'outil pour conserver la maîtrise de

l'outil au démarrage de ce dernier, durant son utilisation et jusqu'à l'arrêt complet de la meule ou de l'accessoire. S'assurer que la meule s'est vraiment arrêtée avant de déposer l'outil.

REMARQUE : Pour réduire tout mouvement inattendu de l'outil, ne pas le démarrer ni l'éteindre sous charge. Laisser la meuleuse atteindre son plein régime avant de toucher la surface de la pièce. Soulever l'outil de la surface avant de le mettre hors tension. Permettre l'immobilisation complète de l'outil avant de le déposer.

- Pour démarrer la meuleuse, avancer l'interrupteur coulissant (1). Par l'action d'un ressort, l'interrupteur retourne à la position d'arrêt.
- Pour un fonctionnement continu, avancer l'interrupteur coulissant et pousser l'avant vers le bas jusqu'à la position de verrouillage. Pour éteindre l'outil, appuyer sur l'arrière de l'interrupteur coulissant.

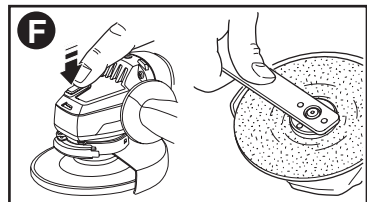
DISPOSITIF DE VERROUILLAGE DE LA BROCHE

⚠ AVERTISSEMENT : Pour éviter toute manipulation accidentelle, éteignez et débranchez l'outil avant d'effectuer les opérations suivantes. Sinon, cela pourrait entraîner des blessures graves.

Le bouton de verrouillage de la broche (4) est fourni pour empêcher la rotation de la broche lors de l'installation ou du retrait de meules. Manipuler uniquement le dispositif de verrouillage de la broche lorsque l'outil est éteint et la meule complètement immobile.

⚠ AVERTISSEMENT : ne pas engager le dispositif de verrouillage de la broche tandis que l'outil fonctionne. Une telle pratique risque d'endommager l'outil. L'accessoire fixé à l'outil risque d'être projeté et d'entraîner des blessures.

- **Pour engager le dispositif de verrouillage,** enfoncer le bouton de verrouillage de la broche illustré dans la **figure F**, puis tourner la broche jusqu'à ce qu'elle se bloque.



MEULAGE DE SURFACE AVEC DES MEULES

1. Laisser l'outil atteindre son plein régime avant de toucher la surface de la pièce avec l'outil.
2. Appliquer un minimum de pression sur la surface de la pièce et laisser l'outil fonctionner à haute vitesse. L'abrasion est plus efficace à vitesse élevée.
3. Maintenir un angle de 20° à 30° entre l'outil et la surface de la pièce.
4. Déplacer constamment l'outil en imprimant un mouvement de va-et-vient pour prévenir la formation d'entailles sur la surface de la pièce.
5. Soulever l'outil de la surface de la pièce avant d'arrêter le moteur. Permettre l'immobilisation complète de l'outil avant de le déposer.

MEULAGE DE CHANT AVEC DES MEULES

⚠ MISE EN GARDE : Roues utilisés pour le broyage de bord et coupe peut casser ou coup de pied arrière s'ils plient ou tordent tandis que l'outil est utilisé pour faire les travaux de tronçonnage. Bord de façonnage et de découpe peut être effectuée avec roues Type 27 conçu et spécifié à cet effet ; 6,35 mm (1/4 po) épaisseur roues sont conçues pour rectification plane, tandis que les plus minces de Type 27 roues doivent être examinés pour l'étiquette du fabricant voir si ils peuvent être utilisés pour rectification plane ou seulement edge meulage / coupage. Un gardien de Type 1 doit être utilisé pour toute roue où rectification plane est interdit. Coupe peut également être effectuée en utilisant une roue de Type 1 et un gardien de Type 1. Toutes carres affûter/couper des opérations, le côté ouvert de la garde doit être placé loin de l'opérateur. Bord affûter/couper avec une roue de Type 27 doit se limiter à une coupe peu profonde et entaillage — moins de 13mm (1/2 po) de profondeur lorsque la roue est Neuve. Réduire la profondeur de coupe/découpe égale à la réduction au rayon des roues car il s'use.

1. Laisser l'outil atteindre son plein régime avant de toucher la surface de la pièce avec l'outil.
2. Appliquer un minimum de pression sur la surface de la pièce et laisser l'outil fonctionner à haute vitesse. L'abrasion est plus efficace à vitesse élevée.
3. Se positionner de sorte que le côté inférieur non protégé de la meule fasse face à l'opposé de l'opérateur.
4. Une fois le tronçonnage amorcé et le taillage de la première encoche effectués, ne pas modifier l'angle du tronçonnage. Un changement d'angle

pliera le disque et pourrait provoquer son bris. Les meules de débordage ne sont pas conçues pour résister aux pressions latérales produites par le pliage.

5. Soulever l'outil de la surface de la pièce avant d'arrêter le moteur. Permettre l'immobilisation complète de l'outil avant de le déposer.

UTILISATION DE BROSSES FORME COUPELLE ET DE BROSSES MÉTALLIQUES À TOURET

Les brosses métalliques à touret et à coupelle enlèvent la rouille, décapent la peinture et égalisent les surfaces irrégulières.

REMARQUE : suivre les mêmes précautions lors de l'utilisation de brosses sur la peinture que lors du ponçage de peinture.

1. Laisser l'outil atteindre son plein régime avant de toucher la surface de la pièce avec l'outil.
2. Appliquer un minimum de pression sur la surface de la pièce et laisser l'outil fonctionner à haute vitesse. L'enlèvement de matière est à son meilleur à vitesse élevée.
3. Maintenir un angle de 5° à 10° entre l'outil et la surface de travail pour les brosses forme coupelle.
4. Pour le travail avec les brosses métalliques à touret, maintenir le contact entre le bord de la brosse et la surface de la pièce.
5. Déplacer constamment l'outil en imprimant un mouvement de va-et-vient pour prévenir la formation d'entailles sur la surface de travail. Les marques de brûlure ou de sillons sont provoquées par un outil en fonctionnement, immobile sur la pièce, ou par le déplacement de celui-ci en cercles.
6. Soulever l'outil de la surface de la pièce avant d'arrêter le moteur. Permettre l'immobilisation complète de l'outil avant de le déposer.

Prêter une attention particulière lors du travail sur les bords de pièces. En effet, il se pourrait qu'à ces endroits l'outil se déplace brusquement de façon inopinée.

FINITION DE SURFACE AVEC DES DISQUES DE PONÇAGE À LAMELLES

1. Laisser l'outil atteindre son plein régime avant de toucher la surface de la pièce avec l'outil.
2. Appliquer un minimum de pression sur la surface de la pièce et laisser l'outil fonctionner à haute vitesse. Le ponçage est plus efficace à vitesse élevée.

- Maintenir un angle de 5° à 10° entre l'outil et la surface de la pièce.
- Déplacer constamment l'outil en imprimant un mouvement de va-et-vient pour prévenir la formation d'entailles sur la surface de la pièce.
- Soulever l'outil de la surface de la pièce avant d'arrêter le moteur. Permettre l'immobilisation complète de l'outil avant de le déposer.

UTILISATION DES TAMPONS POUR LE PONÇAGE

Sélectionner le grain du disque abrasif en fonction du travail à exécuter. Les disques de ponçage sont offerts en plusieurs grains. Un grain grossier enlève la matière plus rapidement et permet un premier dégrossissage. Un grain fin enlève la matière plus lentement et produit un fini plus régulier.

Commencer le travail avec un grain grossier pour un dégrossissage rapide. Puis utiliser un papier abrasif à grain moyen puis à grain fin pour optimiser la finition.

Grain grossier	16 - 30
Grain moyen	36 - 80
Grain fin pour la finition	100 - 120
Grain très fin pour la finition	150 - 180

- Laisser l'outil atteindre son plein régime avant de toucher la surface de la pièce avec l'outil.
- Appliquer un minimum de pression sur la surface de la pièce et laisser l'outil fonctionner à haute vitesse. Le ponçage est à son meilleur à vitesse élevée.
- Maintenir un angle de 5° à 15° entre l'outil et la surface de la pièce. Le disque abrasif devrait toucher environ 25 mm (1 po) de la surface de la pièce.
- Déplacer constamment l'outil en ligne droite pour empêcher le disque de brûler ou de tracer des sillons sur la surface de la pièce. Les marques de brûlure ou de sillons sont provoquées par un outil en fonctionnement, immobile sur la pièce, ou par le déplacement de celui-ci en cercles.
- Soulever l'outil de la surface de la pièce avant d'arrêter le moteur. Permettre l'immobilisation complète de l'outil avant de le déposer.

MESURES DE PRÉCAUTION - PONÇAGE DE LA PEINTURE

- Le ponçage de peinture à base de plomb n'est PAS RECOMMANDÉ car il est trop difficile de maîtriser la poussière contaminée. Les enfants et les femmes enceintes courent le plus grand risque d'intoxication par le plomb.
- Puisqu'il est difficile de savoir, sans

une analyse chimique, si une peinture contient du plomb, on recommande de suivre les mesures de précaution décrites ci-après.

SÉCURITÉ PERSONNELLE

- S'assurer qu'aucun enfant ni femme enceinte n'entre dans la zone de travail avant qu'elle ait été nettoyée à fond.
- Toute personne qui entre dans la zone de travail doit porter un masque antipoussière ou un appareil respiratoire; le filtre doit être remplacé chaque jour ou lorsque la respiration devient difficile.

REMARQUE : seuls les masques qui protègent contre les poussières et les émanations de plomb doivent être utilisés, car les masques ordinaires n'offrent pas la protection voulue. consulter le quincaillier pour obtenir un masque approuvé par le niosh.

- NE PAS MANGER, NI BOIRE, NI FUMER dans la zone de travail pour empêcher toute ingestion de particules contaminées de peinture. Les travailleurs doivent se laver les mains AVANT de manger, de boire ou de fumer. Ne pas laisser de nourriture, de breuvages ou d'articles de fumeur dans la zone de travail où ils risquent de recevoir de la poussière.

SÉCURITÉ ENVIRONNEMENTALE

- Enlever la peinture de manière à réduire au minimum la quantité de poussière produite.
- Sceller les zones où on enlève la peinture au moyen de grandes feuilles de plastique d'une épaisseur de 4 mm.
- Poncer ponçage de manière à éviter autant que possible de traîner de la poussière à l'extérieur de la zone de travail.

NETTOYAGE ET MISE AU REBUT

- Toutes les surfaces de la zone de travail doivent être nettoyées à fond à l'aide d'un aspirateur, et ce, chaque jour, pour la durée du projet de ponçage. Il faut changer régulièrement les sacs-filtres pour aspirateur.
- Les toiles de peinture en plastique doivent être rassemblées et mises au rebut avec les particules de poussière ou tout autre débris d'enlèvement. Il faut les placer dans des récipients à rebut étanches et les éliminer par la collecte des ordures ménagères. Pendant le nettoyage, les enfants et les femmes enceintes doivent éviter de se trouver dans la zone immédiate de travail.
- Tous les jouets, meubles lavables et les ustensiles utilisés par les enfants doivent être nettoyés à fond avant de les utiliser de nouveau.

ENTRETIEN

Si le remplacement du cordon d'alimentation est nécessaire, elle doit être effectuée par un centre de service agréé ou autres membres du personnel de service qualifié.

NETTOYAGE

⚠ AVERTISSEMENT : L'entretien périodique doit comprendre le nettoyage à l'air comprimé du carter du moteur pour éliminer la poussière et les particules métalliques ou abrasives logées à l'intérieur de celui-ci. Ces dernières tendent en effet à s'accumuler sur les surfaces internes et peuvent engendrer des risques de choc électrique si elles ne sont pas souvent nettoyées.

Utilisez un savon doux et un chiffon humide pour nettoyer l'outil. Ne laissez jamais de liquide pénétrer dans l'outil; ne jamais plonger une partie de l'outil dans un liquide.

IMPORTANT : Pour assurer la SÉCURITÉ et la FIABILITÉ de réparation, d'entretien et de réglage (autres que ceux mentionnés dans ce manuel) doit être effectuée par des centres de service autorisés ou par du personnel qualifié, toujours en utilisant des pièces de rechange identiques.

LUBRICACIÓN

Las herramientas BLACK+DECKER vienen lubricadas de fábrica y están listas para emplearse. Deben lubricarse cada año, según la frecuencia con que se utilicen (las unidades utilizadas en trabajos pesados y expuestas al calor pueden requerir una lubricación más frecuente). Dicha lubricación debe ser realizada por el personal especializado de los centros de servicio BLACK+DECKER u otro servicio autorizado.

PIÈCES DE RECHANGE

Utiliser seulement des pièces de rechange identiques. Pour obtenir une liste des pièces de rechange ou pour en commander, consulter le site Web www.blackanddecker.com. Il est également possible de commander des pièces au centre de réparation de l'usine BLACK+DECKER et au centre de réparation sous garantie autorisé BLACK+DECKER le plus près. Ou composer le **1-800-544-6986** pour le service à la clientèle.

ENTRETIEN ET RÉPARATION

Ce produit n'est pas réparable par l'utilisateur. Aucune pièce à l'intérieur du chargeur ne peut être réparée par

l'utilisateur. Pour éviter tout dommage aux composants internes sensibles à l'électricité statique, faire effectuer toute réparation par un centre de réparation autorisé. Pour de plus amples renseignements à propos de BLACK+DECKER, ses centres de réparation en usine ou ses centres de réparation sous garantie autorisés, visiter notre site Web au www.blackanddecker.com ou communiquer avec notre centre de service à la clientèle en composant le **1-800-544-6986**. Toutes les réparations effectuées dans nos centres de réparation sont entièrement garanties contre les défauts de matériaux et de main-d'œuvre. Nous ne pouvons pas garantir les réparations effectuées en partie ou totalement par d'autres.

Pour de plus amples renseignements par courrier, écrire à BLACK+DECKER, 701 E. Joppa Road, Towson, Maryland 21286 - à l'attention de : Product Service. S'assurer d'indiquer toutes les informations figurant sur la plaque signalétique de l'outil (numéro du modèle, type, numéro de série, etc.).

ACCESSOIRES

⚠ AVERTISSEMENT : Puisque les accessoires autres que ceux offerts par BLACK+DECKER n'ont pas été testés avec ce produit, l'utilisation de ceux-ci avec l'outil pourrait s'avérer dangereuse. Pour réduire le risque de blessures, utiliser exclusivement les accessoires BLACK+DECKER recommandés avec le produit.

Les centres de réparation de l'usine BLACK+DECKER ou les centres de réparation sous garantie autorisés Black and Decker sont en mesure de vous fournir la gamme complète d'accessoires. Consulter le site Web www.blackanddecker.com pour obtenir un catalogue ou le nom du fournisseur local.

- Toujours manipuler les accessoires avec attention lors du montage ou le démontage.
- Le meilleur endroit de rangement pour accessoires est celui qui est frais et sec, loin des rayons directs du soleil et excès de chaleur ou de froid.

Cet appareil numérique de la classe B est conforme à la norme NMB-003 du Canada. Cet appareil est conforme aux dispositions du paragraphe 15 des règlements de la FCC. Son fonctionnement est régi par les deux conditions suivantes : (1) Cet appareil ne peut pas causer d'interférence nuisible et (2) cet appareil doit accepter toutes les interférences reçues, y compris celles qui risquent d'en gêner le fonctionnement.

REMARQUE : ce matériel a été testé et a été déclaré conforme aux limites

en vigueur concernant les dispositifs numériques de classe B, en vertu de la partie 15 de la réglementation FCC. Ces limites visent à assurer une protection raisonnable contre tout brouillage nuisible dans une installation résidentielle. Ce matériel produit, consomme et peut émettre une énergie de radiofréquence et, s'il n'est pas installé et utilisé conformément aux directives qui l'accompagnent, il peut entraîner un brouillage nuisible des communications radio. Cependant, nous ne garantissons pas l'absence de brouillage dans tous les types d'environnement. Si, après avoir effectué une vérification en mettant l'appareil hors tension puis sous tension, l'utilisateur s'aperçoit que ce matériel provoque un brouillage nuisible à la réception des signaux de radio ou de télévision, il lui faudra essayer de corriger ce brouillage en prenant une ou plusieurs des mesures ci-dessous :

- Réorienter ou repositionner l'antenne de réception.
- Éloigner le plus possible le matériel du récepteur.
- Brancher le matériel dans une prise électrique située sur un circuit différent de celui du récepteur.
- Consulter le distributeur ou un technicien radio/télévision expérimenté pour obtenir de l'aide.

Tout changement ou toute modification à cet appareil qui n'est pas expressément approuvé par l'institution responsable de la conformité peut faire annuler le droit de l'utilisateur d'utiliser ce matériel. Cet appareil numérique de la classe B est conforme à la norme NMB-003 du Canada.

INFORMATION SUR LES RÉPARATIONS

Tous les centres de réparation BLACK+DECKER sont dotés de personnel qualifié en matière d'outillage électrique; ils sont donc en mesure d'offrir à leur clientèle un service efficace et fiable. Que ce soit pour un avis technique, une réparation ou des pièces de rechange authentiques installées en usine, communiquer avec l'établissement BLACK+DECKER le plus près de chez vous. Pour trouver l'établissement de réparation de votre région, consulter le site www.blackanddecker.com

GARANTIE LIMITÉE DE DEUX ANS POUR UNE UTILISATION DOMESTIQUE
Black & Decker (É.-U.) Inc. garantit ce produit pour une durée de deux ans contre tout défaut de matériau ou de fabrication. Le produit défectueux sera remplacé ou réparé sans frais de l'une des deux façons suivantes : La première façon consiste en un simple échange chez le détaillant qui l'a vendu (pourvu qu'il s'agisse d'un détaillant participant). Tout retour doit se faire durant la période correspondant à la politique d'échange du détaillant (habituellement, de 30 à 90 jours après l'achat). Une preuve d'achat peut être requise. Vérifier auprès du détaillant pour connaître sa politique concernant les retours hors de la période définie pour les échanges. La deuxième option est d'apporter ou d'envoyer le produit (transport payé d'avance) à un centre de réparation autorisé ou à un centre de réparation de BLACK+DECKER pour faire réparer ou échanger le produit, à notre discrétion. Une preuve d'achat peut être requise. Cette garantie ne s'applique pas aux accessoires. Cette garantie vous accorde des droits légaux spécifiques et vous pourriez avoir d'autres droits qui varient d'un État ou d'une province à l'autre. Pour toute question, communiquer avec le directeur du centre de réparation BLACK+DECKER le plus près de chez vous. Ce produit n'est pas destiné à un usage commercial.

REMPLACEMENT GRATUIT DES ÉTIQUETTES D'AVERTISSEMENT : si les étiquettes d'avertissement deviennent illisibles ou sont manquantes, composer le **1-800-544-6986** pour en obtenir le remplacement gratuit.

DÉPANNAGE

Problème

- L'appareil refuse de démarrer.

Cause possible

- Cordon d'alimentation non branché.
- Le fusible du circuit est grillé.
- Le disjoncteur est déclenché.
- Le cordon d'alimentation ou la prise de courant est endommagé(e).

Solution possible

- Brancher l'outil dans une prise qui fonctionne.
- Remplacer le fusible du circuit. (Si le produit fait griller de façon répétée le fusible du circuit, arrêter immédiatement d'utiliser le produit et le faire réparer dans un centre de réparation BLACK+DECKER ou un centre de réparation autorisé.)
- Remettre le disjoncteur à zéro . (Si le produit fait déclencher de façon répétée le disjoncteur, arrêter immédiatement d'utiliser le produit et le faire réparer dans un centre de réparation BLACK+DECKER ou un centre de réparation autorisé.)
- Faire remplacer le cordon ou l'interrupteur au centre de réparation BLACK+DECKER ou à un centre de réparation autorisé.

Pour de l'aide avec l'outil, consulter notre site Web www.blackanddecker.com pour l'emplacement du centre de réparation le plus près ou communiquer avec l'assistance BLACK+DECKER au **1-800-544-6986**.

Imported by / Importé par
Black & Decker Canada Inc.
100 Central Ave.
Brockville (Ontario) K6V 5W6

BLACK+ DECKER™

ESMERILADORA ANGULAR DE 114 MM (4-1/2 PULG.)

MANUAL DE INSTRUCCIONES

**CATÁLOGO N°
BDEG400**

Gracias por elegir BLACK+DECKER!

Visite www.BlackandDecker.com/NewOwner para registrar su nuevo producto.
LEA EL MANUAL ANTES DE DEVOLVER ESTE PRODUCTO POR CUALQUIER MOTIVO:

Si tiene una consulta o algún inconveniente con su producto BLACK+DECKER, visite <http://www.blackanddecker.com/instantanswers> para obtener respuestas instantáneas las 24 horas del día.

Si no encuentra la respuesta o no tiene acceso a Internet, llame al 1-800-544-6986 de lunes a viernes de 8 a. m. a 5 p. m. hora del Este para hablar con un agente.

Cuando llame, tenga a mano el número de catálogo.

Para comprar un filtro de repuesto llame al 1-888-678-7278.

**CONSERVE ESTE MANUAL PARA FUTURAS CONSULTAS.
SÓLO PARA USO DOMÉSTICO.**

Visite www.BlackandDecker.com/NewOwner
para registrar su nuevo producto.

PAUTAS DE SEGURIDAD/DEFINICIONES

Es importante que lea y comprenda este manual. La información que contiene se relaciona con la protección de SU SEGURIDAD y la PREVENCIÓN DE PROBLEMAS. Los símbolos que siguen se utilizan para ayudarlo a reconocer esta información.

- ⚠ **PELIGRO:** indica una situación de peligro inminente que, si no se evita provocará la muerte o lesiones graves.
- ⚠ **ADVERTENCIA:** indica una situación de peligro potencial que, si no se evita, provocará la muerte o lesiones graves.
- ⚠ **PRECAUCIÓN:** indica una situación de peligro potencial que, si no se evita, provocará lesiones leves o moderadas.

PRECAUCIÓN: utilizado sin el símbolo de alerta de seguridad indica una situación de peligro potencial que, si no se evita, puede provocar daños en la propiedad.

ADVERTENCIAS GENERALES DE SEGURIDAD PARA HERRAMIENTAS ELÉCTRICAS

⚠ **ADVERTENCIA:** Lea todas las advertencias de seguridad e instrucciones. El incumplimiento de las advertencias e instrucciones puede provocar descargas eléctricas, incendios o lesiones graves.

Conserve todas las advertencias e instrucciones para futuras consultas.

El término “herramienta eléctrica” incluido en las advertencias hace referencia a las herramientas eléctricas operadas con corriente (con cable eléctrico) o a las herramientas eléctricas operadas con baterías (inalámbricas).

1) Seguridad en el área de trabajo

- a) **Mantenga el área de trabajo limpia y bien iluminada.** Las áreas abarrotadas y oscuras propician accidentes.
- b) **No opere herramientas eléctricas en atmósferas explosivas, como ambientes donde se encuentran líquidos, gases o polvo inflamables.** Las herramientas eléctricas originan chispas que pueden encender el polvo o los vapores.
- c) **Mantenga a los niños y espectadores alejados de la herramienta eléctrica en funcionamiento.** Las distracciones pueden provocar la pérdida de control.

2) Seguridad eléctrica

- a) **Los enchufes de la herramienta eléctrica deben adaptarse al tomacorriente. Nunca modifique el enchufe de ninguna manera. No utilice ningún enchufe adaptador con herramientas eléctricas con conexión a tierra.** Los enchufes no modificados y que se adaptan a los tomacorrientes reducirán el riesgo de descarga eléctrica.
 - b) **Evite el contacto corporal con superficies puestas a tierra, como por ejemplo tuberías, radiadores, rangos y refrigeradores.** Existe mayor riesgo de descarga eléctrica si su cuerpo está puesto a tierra.
 - c) **No exponga las herramientas eléctricas a la lluvia o a condiciones de humedad.** Si ingresa agua a una herramienta eléctrica, aumentará el riesgo de descarga eléctrica.
 - d) **No maltrate al cable. Nunca utilice el cable para transportar, tirar o desenchufar la herramienta eléctrica. Mantenga el cable lejos del calor, aceite, bordes afilados o piezas móviles.** Los cables dañados o enredados aumentan el riesgo de descarga eléctrica.
 - e) **Al operar una herramienta eléctrica en el exterior, utilice un cable**
- prolongador adecuado para tal uso. Utilice un cable adecuado para uso en exteriores a fin de reducir el riesgo de descarga eléctrica.
- f) **Si el uso de una herramienta eléctrica en un lugar húmedo es imposible de evitar, utilice un suministro protegido con un interruptor de circuito por falla a tierra (GFCI). *El uso de un GFCI reduce el riesgo de descargas eléctricas.***
- ### 3) Seguridad personal
- a) **Permanezca alerta, controle lo que está haciendo y utilice el sentido común cuando emplee una herramienta eléctrica.** No utilice una herramienta eléctrica si está cansado o bajo el efecto de drogas, alcohol o medicamentos. Un momento de descuido mientras se opera una herramienta eléctrica puede provocar lesiones personales graves.
 - b) **Utilice equipos de protección personal. Siempre utilice protección para los ojos.** En las condiciones adecuadas, el uso de equipos de protección, como máscaras para polvo, calzado de seguridad antideslizante, cascos o protección auditiva, reducirá las lesiones personales.
 - c) **Evite el encendido por accidente. Asegúrese de que el interruptor esté en la posición de apagado antes de conectarlo a la fuente de energía o paquete de baterías, o antes de levantar o transportar la herramienta.** Transportar herramientas eléctricas con el dedo apoyado en el interruptor o enchufar herramientas eléctricas con el interruptor en la posición de encendido puede propiciar accidentes.
 - d) **Retire las clavijas de ajuste o llaves de tuercas antes de encender la herramienta eléctrica.** Una llave de tuercas o una clavija de ajuste que se deje conectada a una pieza giratoria de la herramienta eléctrica pueden provocar lesiones personales.
 - e) **No se estire. Conserve el equilibrio adecuado y manténgase parado correctamente en todo momento.** Esto permite un mejor control de la herramienta eléctrica en situaciones inesperadas.
 - f) **Use la vestimenta adecuada. No use ropas holgadas ni joyas. Mantenga el cabello, la ropa y los guantes alejados de las piezas en movimiento.** Las ropas holgadas, las joyas o el cabello largo pueden quedar atrapados en las piezas en movimiento.
 - g) **Si se suministran dispositivos para la conexión de accesorios con fines de recolección y extracción de polvo, asegúrese de que estén conectados y que se utilicen**

correctamente. El uso de dispositivos de recolección de polvo puede reducir los peligros relacionados con el polvo.

4) Uso y mantenimiento de la herramienta eléctrica

- a) **No fuerce la herramienta eléctrica.** Utilice la herramienta eléctrica correcta para el trabajo que realizará. La herramienta eléctrica correcta hará el trabajo mejor y más seguro a la velocidad para la que fue diseñada.
- b) **No utilice la herramienta eléctrica si no puede encenderla o apagarla con el interruptor.** Toda herramienta eléctrica que no puede ser controlada mediante el interruptor es peligrosa y debe ser reparada.
- c) **Desconecte el enchufe de la fuente de energía y/o el paquete de baterías de la herramienta eléctrica antes de realizar ajustes, cambiar accesorios o almacenar herramientas eléctricas.** Estas medidas de seguridad preventivas reducen el riesgo de encender la herramienta eléctrica en forma accidental.
- d) **Guarde las herramientas eléctricas que no están en uso fuera del alcance de los niños y no permite que otras personas no familiarizadas con ella o con estas instrucciones operen la herramienta.** Las herramientas eléctricas son peligrosas en las manos de usuarios no entrenados.
- e) **Mantenimiento de las herramientas eléctricas.** Controle que no haya piezas móviles mal alineadas o trabadas, piezas rotas y toda otra situación que pueda afectar el funcionamiento de las herramientas eléctricas. Si encuentra daños, haga reparar la herramienta eléctrica antes de utilizarla. Se producen muchos accidentes a causa de las herramientas eléctricas que carecen de un mantenimiento adecuado.
- f) **Mantenga las herramientas de corte afiladas y limpias.** Las herramientas de corte con mantenimiento adecuado, con los bordes de corte afilados son menos propensas a trabarse y son más fáciles de controlar.
- g) **Utilice la herramienta eléctrica, los accesorios y las brocas de la herramienta, etc. de acuerdo con estas instrucciones y teniendo en cuenta las condiciones de trabajo y el trabajo que debe realizarse. *El uso de la herramienta eléctrica para operaciones diferentes de aquellas para las que fue diseñada podría originar una situación peligrosa.***

5) Mantenimiento

- a) Haga que una persona de

reparaciones calificada realice el mantenimiento de su herramienta eléctrica y utilice piezas de repuesto idénticas solamente. Esto garantizará la seguridad de la herramienta eléctrica.

INSTRUCCIONES DE SEGURIDAD PARA TODAS LAS OPERACIONES

Advertencias de seguridad comunes para todas las operaciones de esmerilado, lijado, cepillado con cepillo de alambre, y para operaciones de corte y desbaste abrasivo

- a) **Esta herramienta eléctrica está diseñada para utilizarse como esmeriladora, lijadora, cepillo de alambre o desbastadora. Lea todas las advertencias de seguridad, instrucciones, ilustraciones y especificaciones provistas con esta herramienta eléctrica.** El incumplimiento de todas las instrucciones enumeradas a continuación puede provocar una descarga eléctrica, un incendio o lesiones graves.
- b) **No se recomienda realizar con esta herramienta eléctrica operaciones tales como pulir.** Las operaciones para las cuales no fue diseñada la herramienta pueden crear un riesgo y causar lesiones personales.
- c) **No utilice accesorios que no estén diseñados y recomendados específicamente por el fabricante de la herramienta.** El hecho que el accesorio pueda conectarse a la herramienta eléctrica no garantiza un funcionamiento seguro.
- d) **La velocidad nominal del accesorio debe ser equivalente a la velocidad máxima indicada en la herramienta eléctrica, como mínimo.** Los accesorios que funcionen más rápido que su velocidad nominal pueden romperse y desprenderse.
- e) **El diámetro externo y el grosor del accesorio deben estar dentro del rango de capacidad de la herramienta eléctrica.** Los accesorios de tamaño incorrecto no pueden protegerse ni controlarse adecuadamente.
- f) **El montaje roscado de accesorios debe coincidir con la rosca de la cabeza amoladora.** Para los accesorios montados en bridas, el agujero del eje del accesorio debe ajustarse al diámetro de localización de la brida. Accesorios que no coinciden con el hardware de montaje de la herramienta eléctrica se ejecutará fuera de balance, que vibre en exceso y pueden causar pérdida de control.
- g) **No utilice un accesorio dañado.**

- Inspeccione el accesorio antes de cada uso; por ejemplo, el disco abrasivo para verificar que no tenga astillas ni grietas; la almohadilla de respaldo para ver si hay grietas, desprendimientos o desgaste excesivo y el cepillo de alambre para ver si tiene alambres sueltos o quebrados. Si la herramienta eléctrica o el accesorio sufre una caída, inspeccione para ver si hay daños o instale un accesorio en buen estado. Después de inspeccionar e instalar un accesorio, ubíquese y ubique a los espectadores lejos del plano del accesorio giratorio y haga funcionar la herramienta a velocidad máxima sin carga durante un minuto.** Los accesorios dañados generalmente se romperán durante esta prueba.
- h) Utilice equipos de protección personal. Según la aplicación, debe usar protector facial, anteojos de seguridad o lentes de seguridad. Según corresponda, utilice máscara para polvo, protectores auditivos, guantes y delantal de taller para protegerse de los pequeños fragmentos abrasivos y de los fragmentos de la pieza de trabajo.** La protección para los ojos debe ser capaz de detener los residuos volátiles que se generan en las diferentes operaciones. La máscara para polvo o respirador debe ser capaz de filtrar las partículas generadas por el funcionamiento de la herramienta. La exposición prolongada al ruido intenso puede provocar pérdida de la audición.
- i) Mantenga a los espectadores a una distancia segura del área de trabajo. Toda persona que ingrese al área de trabajo debe utilizar equipos de protección personal.** Los fragmentos de una pieza de trabajo o de un accesorio roto pueden volar y provocar lesiones más allá del área de operaciones cercana.
- j) Cuando realice una operación en que el accesorio de corte pueda tocar cables eléctricos ocultos o su propio cable, sostenga la herramienta solamente por las superficies de agarre aisladas.** El contacto con un cable con "corriente eléctrica" hará que las partes metálicas expuestas de la herramienta también tengan "corriente eléctrica" y el operador sufra una descarga.
- k) Coloque el cable lejos del accesorio giratorio.** Si pierde el control, el cable puede ser cortado o se enganchó y la mano o el brazo se puede tirar en el accesorio giratorio.
- l) Nunca apoye la herramienta hasta que el accesorio se haya detenido completamente.** El accesorio giratorio puede enganchar la superficie y producir la pérdida de control de la herramienta.
- m) No haga funcionar la herramienta eléctrica mientras la carga a su lado.** El contacto accidental con el accesorio giratorio puede hacer que éste se le enganche en la ropa y lance el accesorio hacia su cuerpo.
- n) Limpie frecuentemente los orificios de ventilación de la herramienta eléctrica.** El ventilador del motor atraerá el polvo dentro de la cubierta, y la acumulación excesiva de polvo metálico puede producir riesgos eléctricos.
- o) No use la herramienta eléctrica cerca de materiales inflamables.** Las chispas pueden encender estos materiales.
- p) No utilice accesorios que requieran refrigerantes líquidos.** El uso de agua u otros refrigerantes líquidos puede producir una electrocución o descarga eléctrica.
- q) No utilice discos Tipo 11 (copas cónicas) en esta herramienta.** El uso de accesorios incorrectos puede producir lesiones.
- r) Siempre utilice el mango lateral. Ajuste el mango con firmeza.** Siempre debe utilizarse el mango lateral para mantener el control de la herramienta en todo momento.
- s) Al encender la herramienta con un disco nuevo o de repuesto, o con un cepillo de alambre nuevo o de repuesto instalado, sostenga la herramienta en un área protegida y hágala funcionar durante un minuto.** Si el disco tiene una grieta o un defecto no detectado, se romperá en menos de un minuto. Si el cepillo de alambre tiene alambres sueltos, estos se detectarán. Nunca encienda la herramienta si una persona está en línea con el disco. Esto incluye al operador.
- t) Para evitar que el extremo del eje entre en contacto con la parte inferior del orificio del producto abrasivo, utilice accesorios que tengan una profundidad del orificio roscado de al menos 21 mm.** Si no se utiliza un accesorio con la profundidad de rosca adecuada esto puede provocar daños en el producto abrasivo y lesiones al operador o a las personas en el área.
- u) El tamaño del eje de los discos, las bridas, las almohadillas de respaldo y cualquier otro accesorio debe adaptarse correctamente al eje de la herramienta eléctrica.** Los accesorios con orificios que no coincidan con el sistema de montaje de la herramienta eléctrica se desequilibrarán, vibrarán excesivamente y podrán producir la pérdida de control de la herramienta.

CAUSAS DEL RETROCESO Y SU PREVENCIÓN POR PARTE DEL OPERADOR

El retroceso es una reacción repentina al pellizco o atascamiento de un disco giratorio, una almohadilla de respaldo, un cepillo o cualquier otro accesorio. El pellizco o el atascamiento hacen que el accesorio giratorio se trabe rápidamente, lo que a su vez provoca que la herramienta eléctrica fuera de control vaya en sentido opuesto al giro del accesorio en el punto del atascamiento. Por ejemplo, si la pieza de trabajo atasca o pellizca el disco abrasivo, el borde del disco que ingresa en el punto de pliegue puede clavarse en la superficie del material y provocar que el disco salte o se desenganche. El disco puede saltar hacia el operador o en sentido contrario, según la dirección del movimiento del disco en el punto de pellizco. Los discos abrasivos también se pueden romper en estas condiciones. El retroceso es el resultado de un mal uso de la herramienta o de condiciones o procedimientos operativos incorrectos y se puede evitar tomando las precauciones apropiadas que se indican a continuación:

- a) **Sostenga la herramienta eléctrica con firmeza y ubique el cuerpo y el brazo para poder resistir las fuerzas de retroceso. Siempre utilice el mango lateral, en caso de tenerlo, para lograr el máximo control sobre el retroceso o la reacción de torsión durante el encendido.** El operador puede controlar la reacción de torsión o las fuerzas de retroceso si toma las precauciones adecuadas.
- b) **Nunca coloque la mano cerca del accesorio giratorio**, ya que éste puede hacer un retroceso sobre la mano.
- c) **No ubique el cuerpo en el área hacia donde la herramienta eléctrica se desplazará si se produce un retroceso.** El retroceso impulsará la herramienta en la dirección opuesta al movimiento del disco en el punto de atascamiento.
- d) **Tenga especial cuidado al trabajar en esquinas, bordes filosos, etc. Evite hacer rebotar o enganchar el accesorio.** Las esquinas, los bordes filosos y el rebote tienden a enganchar el accesorio giratorio y producir la pérdida de control o el retroceso de la unidad.
- e) **No conecte una hoja para carpintería para sierra de cadena ni una hoja de sierra dentada.** Estas hojas pueden producir el retroceso y la pérdida de control frecuentes.

ADVERTENCIAS DE SEGURIDAD ESPECÍFICAS PARA OPERACIONES DE ESMERILADO Y CORTES ABRASIVOS

- a) **Utilice sólo los tipos de disco recomendados para su herramienta eléctrica y el protector específico para el disco seleccionado.** Los discos para los que la herramienta eléctrica no está diseñada no pueden protegerse adecuadamente y son inseguros.
- b) **La superficie de molienda de centro de ruedas deprimidas se debe montar debajo del plano del labio protector.** Una rueda mal instalada, que se proyecta a través del plano del labio guardia no puede ser protegido adecuadamente.
- c) **El protector debe fijarse en forma segura a la herramienta eléctrica y ubicarse para brindar la máxima seguridad, de manera que una mínima parte del disco quede expuesta hacia el operador.** El protector ayuda a resguardar al operador de los fragmentos de discos rotos y el contacto accidental con el disco.
- d) **Los discos sólo deben utilizarse para las aplicaciones recomendadas. Por ejemplo: no esmerile con el costado del disco de corte.** Los discos para cortes abrasivos están diseñados para esmerilados periféricos, si se aplican fuerzas laterales a estos discos, pueden romperse.
- e) **Siempre utilice bridas de disco en buen estado, con la forma y el tamaño apropiados para el disco seleccionado.** Las bridas de disco adecuadas brindan soporte al disco, además de reducir la posibilidad de que el disco se rompa. Las bridas de los discos de corte pueden ser diferentes a las bridas de discos de esmerilado.
- f) **No utilice discos desgastados de herramientas eléctricas más grandes.** Los discos diseñados para herramientas eléctricas más grandes no son apropiados para la mayor velocidad de una herramienta más pequeña y pueden estallar.

ADVERTENCIAS DE SEGURIDAD ADICIONALES ESPECÍFICAS PARA OPERACIONES DE CORTE ABRASIVO

- a) **No “atasque” el disco de corte ni aplique una presión excesiva. No intente realizar una profundidad de corte excesiva.** La sobrecarga de tensión sobre el disco aumenta la carga y la posibilidad de que el disco se tuerza o trabe durante el corte y se produzca un retroceso o la rotura del disco.
- b) **No ubique el cuerpo en línea y detrás del disco giratorio.** Cuando el disco, en funcionamiento, se aleja de su cuerpo, el posible retroceso puede despedir el disco giratorio y la herramienta eléctrica

- irá directamente hacia usted.
- c) Cuando el disco se atasque o deba interrumpir el corte por algún motivo, apague la herramienta eléctrica y manténgala inmóvil hasta que el disco se detenga completamente. Nunca intente retirar el disco del corte mientras está en movimiento, ya que se puede producir un retroceso. Investigue y tome las medidas correctivas para eliminar la causa del atascamiento del disco.
- d) No vuelva a iniciar la operación de corte en la pieza de trabajo. Deje que el disco alcance la velocidad máxima y vuelva a entrar cuidadosamente en el corte. El disco puede atascarse, saltarse del trabajo o producir un retroceso si la herramienta eléctrica se vuelve a encender dentro de la pieza de trabajo.
- e) Sostenga los paneles o cualquier pieza de trabajo con sobreespesor para minimizar el riesgo de que el disco se pellizque o se produzca un retroceso. Las piezas de trabajo grandes tienden a combarse por su propio peso. Los apoyos deben colocarse debajo de la pieza de trabajo, cerca de la línea de corte y cerca del borde de la pieza de trabajo, a ambos lados del disco.
- f) Sea muy cuidadoso cuando realice un "corte interno" en paredes existentes o en otras zonas ciegas. El disco que sobresale puede cortar cañerías de gas o agua, cables eléctricos u objetos que pueden producir un retroceso.
- g) Se recomienda el uso de amolar / tronzar ruedas no más gruesa que 1/4 de pulgada (6 mm) de espesor y no más de 114 mm (4-1/2 pulgadas) de diámetro.

ADVERTENCIAS DE SEGURIDAD ESPECÍFICAS PARA OPERACIONES DE LIJADO

- a) No utilice papel para disco de lijar con sobreespesor excesivo. Siga las recomendaciones del fabricante al seleccionar el papel de lija. Los papeles de lija más grandes que sobrepasan la almohadilla de lijado representan un peligro de laceración y pueden provocar el retroceso o que el disco se enganche o se rompa.

ADVERTENCIAS DE SEGURIDAD ESPECÍFICAS PARA OPERACIONES DE CEPILLADO CON CEPILLO DE ALAMBRE

- a) Tenga en cuenta que las cerdas de alambre se desprenden del cepillo incluso durante el funcionamiento común. No sobrecargue los alambres

- al aplicar una carga excesiva al cepillo. Las cerdas de alambre pueden penetrar fácilmente la ropa liviana y la piel.
- b) Si se recomienda la utilización de un protector para el cepillado con cepillo de alambre, no permita ninguna interferencia entre el disco o cepillo de alambre y el protector. El disco o cepillo de alambre puede expandir su diámetro debido a las fuerzas centrífugas y de trabajo.
- c) *Anteojos de seguridad: El operador y otras personas que estén a una distancia de 15 m (50 pies) o menos de este producto/ accesorio deben usar gafas de seguridad o anteojos de seguridad con protectores laterales y un protector para toda la cara que cumplan con la norma ANSI Z87.1 de protección para los ojos (CAN/CPA Z94).*

INFORMACIÓN DE SEGURIDAD ADICIONAL

- ⚠ **PRECAUCIÓN:** No use discos planos de corte tipo 1 abrasivos o de diamante sin el protector adecuado.
- ⚠ **ADVERTENCIA:** Durante el uso, utilice siempre protección auditiva adecuada que cumpla con la norma ANSI S12.6 (S3.19). En ciertas circunstancias y según el período de uso, el ruido de este producto puede contribuir a la pérdida de audición.
- ⚠ **ADVERTENCIA:** USE SIEMPRE LENTES DE SEGURIDAD. Los anteojos de uso diario NO son lentes de seguridad. Utilice también máscaras faciales o para polvo si el corte produce polvillo. UTILICE SIEMPRE EQUIPOS DE SEGURIDAD CERTIFICADOS:
- Protección para los ojos según la norma ANSI Z87.1 (CAN/CSA Z94.3)
 - Protección auditiva según la norma ANSI S12.6 (S3.19)
 - Protección respiratoria según las normas NIOSH/OSHA/MSHA
- ⚠ **ADVERTENCIA:** parte del polvo producido por las herramientas eléctricas al lijar, aserrar, esmerilar, taladrar y realizar otras actividades de la construcción, contiene productos químicos reconocidos por el Estado de California como causantes de cáncer, defectos de nacimiento u otros problemas reproductivos. Algunos de estos productos químicos son:
- el plomo de las pinturas de base plomo,
 - la sílice cristalina de ladrillos, el cemento y otros productos de mampostería, y
 - el arsénico y el cromo de la madera con tratamiento químico.

El riesgo derivado de estas exposiciones varía según la frecuencia con la que se realice este tipo de trabajo. Para reducir la exposición a estos productos químicos: trabaje en áreas bien ventiladas y trabaje con equipos de seguridad aprobados, como las máscaras para polvo especialmente diseñadas para filtrar las partículas microscópicas.

- **Evite el contacto prolongado con el polvo procedente del lijado, serrado, esmerilado y taladrado eléctricos, así como de otras actividades del sector de la construcción. Lleve ropa protectora y lave con agua y jabón las zonas expuestas.** *Si permite que el polvo se introduzca en la boca u ojos o quede sobre la piel, puede favorecer la absorción de productos químicos peligrosos.*

⚠ ADVERTENCIA: El uso de esta herramienta puede generar o dispersar polvo lo cual puede causar lesiones respiratorias serias y permanentes y otros tipos de lesión. Siempre use *protección respiratoria aprobada por NIOSH/OSHA para la exposición al polvo. Dirija las partículas en dirección opuesta a su cara y cuerpo.*

⚠ ADVERTENCIA: No utilice esta herramienta para largos periodos de tiempo. *Vibración causada por la acción de funcionamiento de esta herramienta puede causar lesiones permanentes a los dedos, manos y brazos. Utilice guantes para proporcionar cojín extra, tomar descansos frecuentes y limitar el tiempo diario de uso.*

⚠ ADVERTENCIA: Cuando no esté en uso, coloque la amoladora sobre una superficie estable donde no mueva inadvertidamente, rodillo o provocar un tropiezo o caída. *La amoladora puede estar de pie en la batería, pero puede ser derribada fácilmente. Pueden provocar lesiones personales graves.*

⚠ ADVERTENCIA: La rueda de pulido o accesorio puede aflojarse durante la costa abajo de la herramienta cuando apaga. *Si rueda o accesorio de pulir se afloja, se puede desmontar de la máquina y pueden causar lesiones personales graves.*

⚠ PRECAUCIÓN: Para reducir el riesgo de lesiones personales, tenga mucho cuidado cuando se trabaja en una esquina o borde debido a un movimiento repentino y agudo de la herramienta puede ser experimentado cuando la rueda u otro accesorio entra en contacto

con una superficie secundaria o una arista de la superficie.

- **Para garantizar la seguridad, un cable prolongador debe tener un tamaño de cable adecuado (AWG o Calibre de conductor de Estados Unidos).** *Cuanto más pequeño sea el número de calibre del conductor, mayor será la capacidad del cable; es decir, un calibre 16 tiene más capacidad que un calibre 18. Cuando se utiliza más de una prolongación para lograr la longitud total, asegúrese de que cada prolongación tenga la medida mínima del conductor.*

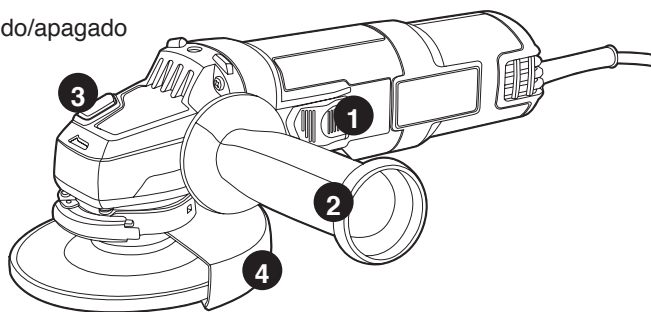
Volts	Calibre mínimo para cables de extensión				
	Longitud total del cable en pies				
120V	0-25 (0-7,6m)	26-50 (7,6-15,2m)	51-100 (15,2-30,4m)	101-150 (30,4-45,7m)	
Amperaje	Más de No más de		AWG		
6	- 10	18	16	14	12

Símbolos

- La etiqueta de su herramienta puede incluir los siguientes símbolos. Los símbolos y sus definiciones son los siguientes:
 - V voltios
 - A amperios
 - Hz hertz
 - W vatios
 - min minutos
 - ~ o AC.....corriente alterna
 - — — o DC.....corriente directa
 - n no velocidad sin carga
 - Ⓛ Construcción Clase I
 - ⊕ terminal a tierra (mis à la terre)
 - Ⓜ Construcción de clase II
 - ⚠ símbolo de alerta
 - RPM o .../min.....revoluciones o minuto seguridad
 - 📖 Lea el manual de instrucciones antes del uso
 - 🕶 Use protección adecuada para las vías respiratorias
 - 👁 Use protección adecuada para los ojos
 - 👂 Use protección adecuada para los oídos

DESCRIPCIÓN DE LAS FUNCIONES

1. Interruptor de encendido/apagado
2. Mango auxiliar
3. Bloqueo del eje
4. Protector



ENSAMBLAJE

⚠ ADVERTENCIA: Para evitar el funcionamiento accidental, apague y desenchufe la herramienta antes de realizar las siguientes operaciones. De no hacerlo pueden producirse graves lesiones personales.

MANGO AUXILIAR

⚠ ADVERTENCIA: Este mango DEBE UTILIZARSE EN TODO MOMENTO para mantener el completo control de la herramienta.

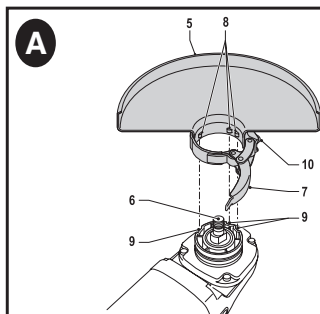
La esmeriladora está provista de un mango auxiliar de tres posiciones. Éste se puede enroscar en cualquiera de ambos lados o en la parte superior de la cubierta de la caja de engranajes.

MONTAJE DEL PROTECTOR

Se deben utilizar protectores con todos los discos de esmerilado, los discos para lijar, los cepillos de alambre, los discos de corte y los discos de alambre. Se puede utilizar la herramienta sin protector únicamente cuando se lija con discos de lijado convencionales. El modelo PC60TCTAG está provisto de un protector diseñado para utilizarse con discos de centro hundido (tipo 27) y discos de esmerilado con cubo (tipo 27). El mismo protector está diseñado para su uso con discos para lijar (tipos 27 y 29) y cepillos de alambre con forma de copa. El esmerilado y el corte con discos distintos a los tipos 27 y 29 requieren de otros protectores accesorios.

1. **Figura A:** Abra el cerrojo del protector (7) y alinee las lengüetas del protector (8) con las ranuras de la cubierta de la caja de engranajes (9).
2. Empuje el protector hacia abajo hasta que las lengüetas de éste enganchen y giren libremente en la ranura del cubo de la caja de engranajes.

3. Con el cerrojo del protector abierto, gire el protector hasta la posición de trabajo deseada. El cuerpo del protector debe quedar colocado entre el eje y el operador, para proveer la máxima protección al operador.
4. Cierre el cerrojo del protector (7) para asegurar el protector sobre la caja de engranajes. No se debe poder girar el protector manualmente cuando el cerrojo está cerrado. No haga funcionar la esmeriladora con un protector flojo o con el cerrojo del protector abierto.
5. Para retirar el protector, abra el cerrojo del protector, gire el protector de manera que las lengüetas queden alineadas con las ranuras y tire de él hacia arriba.



AJUSTE DEL PROTECTOR

NOTA: El protector está ajustado en fábrica para el diámetro del cubo de la caja de engranajes. Si, después de un tiempo, el protector se afloja, apriete el tornillo de ajuste (10) con el cerrojo cerrado y el protector instalado en la herramienta.

⚠ PRECAUCIÓN: No apriete el tornillo de ajuste con el cerrojo abierto. Puede producirse un daño indetectable al protector o al cubo de montaje.

⚠ PRECAUCIÓN: Si el protector no se puede apretar mediante el cerrojo del protector, no utilice la herramienta y

llévela junto con el protector a un centro de mantenimiento para reparar o reemplazar el protector.

QUITAR EL PROTECTOR

- ⚠ **ADVERTENCIA:** Utilice siempre el protector cuando esté utilizando la herramienta, excepto cuando lijado.
- Suelte el cerrojo de la guarda (7).
 - Gire el protector hacia la derecha para alinear las zapatas (8) con las muescas (9).
 - Retire el protector de la herramienta.

DÉMONTER LA GRILLE DE PROTECTION

- ⚠ **ADVERTENCIA:** Toujours utiliser la garde lorsque vous utilisez l'outil, sauf lorsque le ponçage.
- Libérer le loquet de protection (7).
 - Faire pivoter la garde vers la droite pour aligner les pattes (8) avec les encoches (9).
 - Retirer la garde de l'outil.

INSTALACIÓN Y EXTRACCIÓN DE LOS DISCOS DE ESMERILADO O CORTE (FIG. B - D)

Siempre utilice el tipo correcto de disco para la aplicación. Siempre utilice discos con el diámetro y tamaño de orificio correctos (consulte los datos técnicos).

INSTALACIÓN

- Instale el protector como se describió anteriormente.
- Coloque la brida interna (11) sobre el eje (6) como se muestra (**Fig. B**). Asegúrese de que la brida esté correctamente ubicada en los lados planos del eje.
- Coloque el disco (12) sobre el eje (6) como se muestra (**Fig. B**). Si el disco tiene un centro elevado (13), asegúrese de que el centro elevado mire hacia la brida interna.
- Asegúrese de que el disco se ubique correctamente en la brida interna.
- Coloque la brida externa (14) sobre el eje. Al instalar un disco de esmerilado, el centro elevado en la brida externa debe mirar hacia el disco (**A en la Fig. C**). Al instalar un disco de corte, el centro elevado en la brida externa debe mirar en dirección opuesta al disco (**B en la Fig. C**).
- Mantenga el bloqueo del eje (4) oprimido y ajuste la brida externa utilizando la llave de dos clavijas (15) (**Fig. D**).

EXTRACCIÓN

- Mantenga el bloqueo del eje (3) oprimido y suelte la brida externa (14) utilizando la llave de dos clavijas (15) (**Fig. D**).
- Quite la brida externa (14) y el disco (11).

INSTALACIÓN Y EXTRACCIÓN DE DISCOS DE LIJADO Y LAS ALMOHADILLAS DE RESPALDO PARA LIJAR (FIG. D Y E)

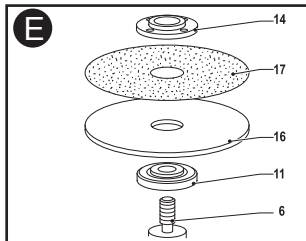
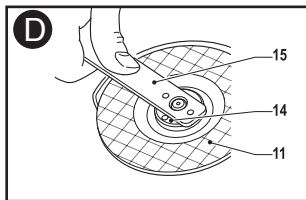
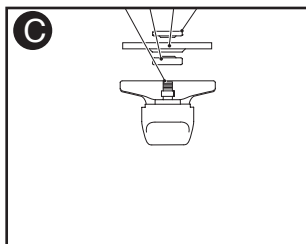
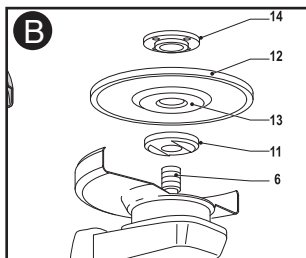
Para lijar, se requiere una almohadilla de respaldo. La almohadilla de respaldo está disponible en su distribuidor de BLACK+DECKER como un accesorio.

NOTA: Al utilizar almohadillas de respaldo para lijado se puede retirar el protector.

- ⚠ **ADVERTENCIA:** Después de terminar las aplicaciones de lijado, se debe reinstalar el protector correcto para las aplicaciones del disco de esmerilado, el disco para lijar, el cepillo de alambre o el disco de alambre.

INSTALACIÓN

- Coloque la brida interna (11) sobre el eje (6) como se muestra (**Fig. E**). Asegúrese de que la brida esté correctamente ubicada en los lados



- planos del eje.
- Coloque la almohadilla de respaldo (16) sobre el eje.
- Coloque el disco de lijado (17) sobre la almohadilla de respaldo.
- Coloque la brida externa (14) sobre el eje con el centro elevado mirando en dirección opuesta al disco.
- Mantenga el bloqueo del eje (3) oprimido y ajuste la brida externa utilizando la llave de dos clavijas (15) (Fig. D). Asegúrese de que la brida externa esté correctamente instalada y que el disco esté asegurado firmemente.

EXTRACCIÓN

- Mantenga el bloqueo del eje (3) oprimido y suelte la brida externa (14) utilizando la llave de dos clavijas (15) (Fig. D).
- Quite la brida externa (14), el disco de lijado (17) y la almohadilla de respaldo (16).

MONTAJE Y USO DE CEPILLOS DE ALAMBRE Y DISCOS DE ALAMBRE

Los cepillos de alambre con forma de copa y los discos de alambre se enroscan directamente sobre el eje de la esmeriladora sin bridas. Utilice únicamente cepillos de alambre o discos de alambre provistos con cubo roscado de 16 mm a 279 mm (5/8 pulg. - 11 pulg.). Se requiere un protector Tipo 27 cuando se usan cepillos y discos de alambre.

MONTAJE DE CEPILLOS DE ALAMBRE CON FORMA DE COPA Y DISCOS DE ALAMBRE

Apague la herramienta y desconecte la herramienta antes de realizar ajustes o de retirar/instalar dispositivos o accesorios.

- Enrosque el disco en el eje manualmente.
- Oprima el botón de bloqueo del eje y utilice una llave en el cubo del disco o cepillo de alambre para apretar el disco.
- Para retirar el disco, siga el procedimiento inverso.

Si no se asienta correctamente el cubo del disco antes de encender la herramienta, ésta o el disco pueden sufrir daños.

FUNCIONAMIENTO

⚠ ADVERTENCIA: : Esta herramienta no debe utilizarse en temperaturas inferiores a -20°C (-4°F) o por encima de 40°C (104°F).

ENCENDIDO Y APAGADO

⚠ PRECAUCIÓN: Sostenga el mango auxiliar y el cuerpo de la herramienta con firmeza para mantener el control de la misma al encenderla y mientras la utiliza, y hasta que el disco o el accesorio dejen de

girar. Asegúrese de que el disco se haya detenido completamente antes de depositar la herramienta sobre una superficie.

NOTA: Para reducir los movimientos inesperados de la herramienta, no la encienda ni la apague en condiciones de carga. Permita que la esmeriladora alcance la velocidad máxima antes de aplicarla a la superficie de trabajo. Levante la herramienta de la superficie antes de apagarla. Permita que la herramienta deje de girar antes de depositarla sobre una superficie.

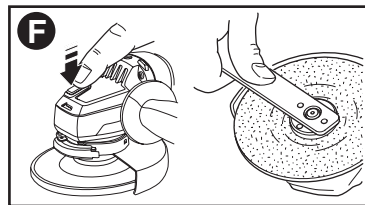
- Para encender la esmeriladora, empuje el interruptor deslizante (1) hacia adelante. La acción de un resorte devuelve el interruptor a la posición de apagado.
- Para un funcionamiento continuo, empuje el interruptor deslizante hacia adelante y empuje la parte delantera de éste hacia abajo hasta la posición de bloqueo. Para apagar la herramienta, presione la parte trasera del interruptor deslizante.

BLOQUEO DEL EJE

⚠ ADVERTENCIA: El botón de bloqueo del eje (4) tiene como fin evitar que el eje gire cuando se instalan o retiran discos. Opere el bloqueo del eje únicamente cuando la herramienta esté apagada y el disco se haya detenido completamente.

⚠ ADVERTENCIA: No active el bloqueo del eje mientras la herramienta esté funcionando. De lo contrario, se producirán daños a la herramienta y es posible que el accesorio instalado salga despedido y provoque lesiones personales.

- Para activar el bloqueo,** oprima el botón de bloqueo del eje mostrado en la **Figura F** y gire el eje hasta que no lo pueda girar más.



ESMERILADO DE SUPERFICIE CON DISCOS PARA ESMERILAR

- Permita que la herramienta alcance la velocidad máxima antes de aplicarla a la superficie de trabajo.
- Aplique un mínimo de presión sobre la superficie de trabajo, permitiendo que la herramienta funcione a alta velocidad. La velocidad de esmerilado es mayor cuando la herramienta opera

- a alta velocidad.
- Mantenga un ángulo de 20 a 30 grados entre la herramienta y la superficie de trabajo.
 - Mueva continuamente la herramienta hacia adelante y hacia atrás para evitar la creación de estrías en la superficie de trabajo.
 - Retire la herramienta de la superficie de trabajo antes de apagarla. Permita que la herramienta deje de girar antes de depositarla sobre una superficie.

ESMERILADO DE BORDES CON DISCOS PARA ESMERILAR

⚠ PRECAUCIÓN: Discos usados para el esmerilado y corte puede romperse o dar tirones si se doblan o tuercen mientras la herramienta se utiliza para hacer trabajos de desbastado. Borde pulido y corte se puede realizar con ruedas tipo 27 diseñado y especificado para este propósito; 6,35 mm (1/4") espesor ruedas están diseñadas para pulido superficial, mientras que el diluyente tipo 27 ruedas deben ser examinados para que la etiqueta del fabricante ver si se puede usarse para pulido superficial o sólo borde pulido / corte. Un guardia de tipo 1 debe utilizarse para cualquier rueda donde pulido superficial está prohibido. Corte también puede realizarse mediante el uso de una rueda tipo 1 y un guardia de tipo 1. En el borde todo amolado y corte las operaciones, el lado abierto de la guardia debe colocarse lejos del operador. Esmerilado tangencial/ corte con una rueda tipo 27 debe limitarse al corte superficial y muescas — menos de 13mm (1/2") de profundidad cuando la rueda es nueva. Disminuir la profundidad de corte/ muescas igual a la reducción del radio de la rueda que lleva hacia abajo.

- Permita que la herramienta alcance la velocidad máxima antes de aplicarla a la superficie de trabajo.
- Aplique un mínimo de presión sobre la superficie de trabajo, permitiendo que la herramienta funcione a alta velocidad. La velocidad de esmerilado es mayor cuando la herramienta opera a alta velocidad.
- Ubíquese de manera que la parte inferior abierta del disco esté en dirección opuesta a usted.
- Una vez que se inicia un corte y se realiza una muesca en la pieza de trabajo, no cambie el ángulo del corte. El cambio de ángulo provocará que el disco se doble y puede causar la rotura del mismo. Los discos de esmerilado de bordes no están diseñados para soportar presiones laterales producidas al doblarse.
- Retire la herramienta de la superficie

de trabajo antes de apagarla. Permita que la herramienta deje de girar antes de depositarla sobre una superficie.

USO DE CEPILLOS DE ALAMBRE CON FORMA DE COPA Y DISCOS DE ALAMBRE

Los discos y los cepillos de alambre se pueden utilizar para eliminar óxido, escamas y pintura, y para alisar superficies irregulares. **NOTA:** Las mismas precauciones se deben tomar cuando cepille pintura con un cepillo de alambre o cuando lije pintura.

- Permita que la herramienta alcance la velocidad máxima antes de aplicarla a la superficie de trabajo.
- Aplique un mínimo de presión sobre la superficie de trabajo, permitiendo que la herramienta funcione a alta velocidad. La velocidad de remoción de material es mayor cuando la herramienta opera a alta velocidad.
- Mantenga un ángulo de 5° a 10° entre la herramienta y la superficie de trabajo para los cepillos de alambre con forma de copa.
- Con los discos de alambre, mantenga contacto entre el borde del disco y la superficie de trabajo.
- Mueva continuamente la herramienta hacia adelante y hacia atrás para evitar la creación de estrías. Apoyar la herramienta sobre la superficie de trabajo, sin moverla, o mover la herramienta en círculos provoca quemaduras y marcas circulares sobre la superficie.
- Retire la herramienta de la superficie de trabajo antes de apagarla. Permita que la herramienta deje de girar antes de depositarla sobre una superficie.

Tenga especial cuidado cuando trabaje sobre un borde, ya que se puede producir un movimiento fuerte y súbito de la esmeriladora.

ACABADO DE SUPERFICIES CON DISCOS PARA LIJAR

- Permita que la herramienta alcance la velocidad máxima antes de aplicarla a la superficie de trabajo.
- Aplique un mínimo de presión sobre la superficie de trabajo, permitiendo que la herramienta funcione a alta velocidad. La velocidad de lijado es mayor cuando la herramienta opera a alta velocidad.
- Mantenga un ángulo de 5 a 10 grados entre la herramienta y la superficie de trabajo.
- Mueva continuamente la herramienta hacia adelante y hacia atrás para evitar la creación de estrías en la superficie de trabajo.

5. Retire la herramienta de la superficie de trabajo antes de apagarla. Permita que la herramienta deje de girar antes de depositarla sobre una superficie.

USO DE ALMOHADILLAS DE RESPALDO PARA LIJAR

Elija los discos para lijar de grano adecuado para su aplicación. Los discos para lijar están disponibles en diversos granos.

Los granos gruesos retiran material con más rapidez y producen un acabado más áspero. Los granos más finos retiran material más lentamente y producen un acabado más liso.

Comience con discos de grano grueso para retirar material en forma tosca con más rapidez. Luego pase a un papel de grano mediano y termine con un disco de grano fino para un acabado óptimo.

Grueso	Grano	16 a 30
Mediano	Grano	36 a 80
Acabado fino	Grano	100 a 120
Acabado muy fino	Grano	150 a 180

1. Permita que la herramienta alcance la velocidad máxima antes de aplicarla a la superficie de trabajo.
2. Aplique un mínimo de presión sobre la superficie de trabajo, permitiendo que la herramienta funcione a alta velocidad. La velocidad de lijado es mayor cuando la herramienta opera a alta velocidad.
3. Mantenga un ángulo de 5 a 15 grados entre la herramienta y la superficie de trabajo. El disco para lijar debe hacer contacto con 25,4 mm (1 pulgada) de la superficie de trabajo, aproximadamente.
4. Mueva la herramienta constantemente en una línea recta para no quemar ni marcar círculos en la superficie de trabajo. Apoyar la herramienta sobre la superficie de trabajo, sin moverla, o mover la herramienta en círculos provoca quemaduras y marcas circulares sobre la superficie de trabajo.
5. Retire la herramienta de la superficie de trabajo antes de apagarla. Permita que la herramienta deje de girar antes de depositarla sobre una superficie.

PRECAUCIONES DURANTE EL LIJADO DE PINTURA

1. NO ES RECOMENDABLE lijar pinturas con base de plomo debido a la dificultad para controlar el polvo contaminado. El envenenamiento por plomo es sobre todo peligroso para los niños y las mujeres embarazadas.
2. Ya que es difícil determinar si una pintura contiene plomo sin efectuar un análisis químico, recomendamos tomar las siguientes precauciones al lijar cualquier tipo de pintura:

SEGURIDAD PERSONAL

1. Los niños y las mujeres embarazadas no deben entrar al área de trabajo antes de que esta última se encuentre perfectamente limpia.
2. Todas las personas que ingresen al área de trabajo deben utilizar una mascarilla contra polvo o un respirador. El filtro debe ser reemplazado a diario o siempre que el usuario tenga dificultad para respirar a través del dispositivo.

NOTA: Sólo deben utilizarse mascarillas específicamente diseñadas para partículas y emanaciones originadas por pinturas que contienen plomo. las mascarillas contra el polvo de pinturas corrientes no proporcionan ese tipo de protección. Consulte al distribuidor de su localidad para obtener una máscara adecuada.

3. NO SE DEBE COMER, BEBER o FUMAR en el área de trabajo para evitar ingerir partículas de pintura contaminada. Los trabajadores deben lavarse y limpiarse ANTES de comer, beber o fumar. No se deben dejar artículos para comer, beber o fumar en el área de trabajo donde se podría depositar polvo sobre ellos.

SEGURIDAD AMBIENTAL

1. Quitar la pintura tratando de generar la menor cantidad de polvo posible.
2. Sellar con hojas de plástico gruesas (mínimo 0,1 mm) los accesos a las áreas donde se esté quitando la pintura.
3. Lijar tratando de reducir la salida de polvo de pintura fuera del área de trabajo.

LIMPIEZA Y ELIMINACIÓN

1. Todas las superficies del área de trabajo deben ser limpiadas cuidadosamente y repasadas con aspiradora todos los días mientras dure el proyecto de lijado. Se deben cambiar con frecuencia las bolsas de filtro de la aspiradora.
2. Las telas plásticas del piso se deben recoger y eliminar junto con cualquier resto de polvo u otros residuos del lijado. Deben colocarse en recipientes de desperdicios sellados y eliminarse por medio de los procedimientos normales de recolección de residuos. Durante la limpieza, los niños y las mujeres embarazadas deben mantenerse lejos del área de trabajo inmediata.
3. Todos los juguetes, muebles lavables y utensilios utilizados por los niños deben ser lavados cuidadosamente antes de ser utilizados nuevamente.

MANTENIMIENTO

Si es necesaria la sustitución del cable de alimentación, debe ser realizada por un centro de servicio autorizado u otro personal de mantenimiento calificado.

LIMPIEZA

⚠ **ADVERTENCIA:** Un procedimiento indispensable para el mantenimiento de su unidad es eliminar a intervalos regulares el polvo y rebabas acumulados en la coraza de la herramienta, mediante sopleteado con aire comprimido. A menudo se acumulan en la superficie interior de la herramienta polvo y partículas metálicas que pueden causar choques eléctricos, razón por la cual deben eliminarse con frecuencia.

Use sólo jabón neutro y un trapo húmedo para limpiar la herramienta. Nunca permita que penetre líquido dentro de la herramienta y nunca sumerja ninguna parte de la herramienta en un líquido.

IMPORTANTE: Para garantizar la SEGURIDAD y la CONFIABILIDAD, las reparaciones, el mantenimiento y el ajuste (distintas de las enumeradas en este manual) deben ser realizados por centros de servicio autorizados u otro personal cualificado, utilizando siempre piezas de repuesto idénticas.

LUBRICACIÓN

Las herramientas BLACK+DECKER vienen lubricadas de fábrica y están listas para emplearse. Deben lubricarse cada año, según la frecuencia con que se utilicen (las unidades utilizadas en trabajos pesados y expuestas al calor pueden requerir una lubricación más frecuente). Dicha lubricación debe ser realizada por el personal especializado de los centros de servicio BLACK+DECKER u otro servicio autorizado.

PIEZAS DE REPUESTO

Utilice sólo piezas de repuesto idénticas. Para obtener una lista de piezas o para solicitar piezas, visite nuestro sitio Web en www.blackanddecker.com. También puede solicitar piezas al Centro de mantenimiento de fábrica BLACK+DECKER o al Centro de mantenimiento con garantía autorizado de BLACK+DECKER más cercanos. O bien, puede llamar a nuestro Centro de atención al cliente al **1-800-544-6986**.

INFORMACIÓN DE MANTENIMIENTO

Todos los Centros de servicio de BLACK+DECKER cuentan con personal altamente capacitado dispuesto a brindar a todos los clientes un servicio eficiente y confiable en la reparación de herramientas eléctricas. Si necesita consejo técnico, reparaciones o piezas de repuesto originales de fábrica, póngase en contacto con el centro de servicio

de BLACK+DECKER más cercano a su domicilio. Para ubicar su centro de servicio local, llame al **1-800-544-6986** o visite nuestro sitio www.blackanddecker.com.

ACCESORIOS

⚠ **ADVERTENCIA:** El uso de accesorios no recomendados para utilizar con esta herramienta puede resultar peligroso.

Los accesorios que se recomiendan para la herramienta están disponibles en su distribuidor local o en el centro de servicio autorizado. Si necesita ayuda con respecto a los accesorios, llame al **1-800-544-6986**.

- Siempre manipule los accesorios con cuidado al montarlos o quitarlos.
- El mejor lugar de almacenamiento para los accesorios es uno que sea fresco y seco, lejos de la luz solar directa y del exceso de calor o frío.

Este aparato digital Clase B cumple con la norma canadiense ICES-003.

Este mecanismo cumple con la parte 15 de las normas de la Comisión Federal de Comunicaciones de Estados Unidos (FCC). La operación está sujeta a las dos condiciones siguientes: (1) Este mecanismo posiblemente no cause interferencia perjudicial; y (2) este mecanismo puede aceptar cualquier interferencia recibida, incluso interferencia que podría provocar una operación no deseada.

NOTA: Este equipo ha sido probado y se encontró que cumple con los límites para dispositivo digital Clase B, según la parte 15 de las normas de la FCC. Estos límites están diseñados para brindar protección razonable contra interferencia perjudicial en una instalación residencial. Este equipo genera, usa y puede irradiar energía en frecuencia de radio y, si no se instala y se usa de acuerdo con las instrucciones, puede provocar interferencia perjudicial en las comunicaciones de radio. Sin embargo, no hay garantía de que la interferencia no ocurra en una instalación en particular. Si este equipo provoca interferencia perjudicial en la recepción de radio o televisión, lo que se puede determinar al apagar y encender el equipo, el usuario debe tratar de corregir la interferencia mediante una o más de las siguientes medidas:

- Cambiar la orientación o la ubicación de la antena de recepción.
- Aumentar la separación entre el equipo y el receptor.
- Conectar el equipo a un tomacorriente sobre un circuito diferente de aquel al que está conectado el receptor.
- Consultar al vendedor o pedir la ayuda de un técnico en radio y televisión con experiencia.

Los cambios o las modificaciones que se

le realicen a esta unidad sin aprobación expresa del tercero responsable del cumplimiento pueden anular la autorización del usuario para operar el equipo. Este aparato digital de la clase B se conforma con ICES-003 canadiense.

GARANTÍA LIMITADO DE DOS AÑOS PARA USO EN EL HOGAR

Black & Decker (Estados Unidos) Inc. ofrece una garantía de dos años por cualquier defecto del material o de fabricación de este producto. El producto defectuoso se reparará o reemplazará sin costo alguno de dos maneras.

La primera opción, el reemplazo, es devolver el producto al comercio donde se adquirió (siempre y cuando se trate de un comercio participante). Las devoluciones deben realizarse conforme a la política de devolución del comercio (generalmente, entre 30 y 90 días posteriores a la venta). Le pueden solicitar comprobante de compra. Consulte en el comercio acerca de la política especial sobre devoluciones una

vez excedido el plazo establecido. La segunda opción es llevar o enviar el producto (con flete pago) a un Centro de servicio propio o autorizado de BLACK+DECKER para su reparación o reemplazo según nuestro criterio. Le pueden solicitar el comprobante de compra. Esta garantía no se extiende a los accesorios. Esta garantía le concede derechos legales específicos; usted puede tener otros derechos que pueden variar según el estado o la provincia. Si tiene alguna pregunta, comuníquese con el gerente del Centro de servicio de BLACK+DECKER de su zona. Este producto no está diseñado para uso comercial.

AMÉRICA LATINA: esta garantía no se aplica a los productos que se venden en América Latina. Para los productos que se venden en América Latina, debe consultar la información de la garantía específica del país que viene en el empaque, llamar a la compañía local o visitar el sitio Web a fin de obtener esa información.

DETECCIÓN DE PROBLEMAS

Problema	Causa posible	Solución posible
• La unidad no enciende.	<ul style="list-style-type: none"> • Cable desenchufado. • Fusible quemado. 	<ul style="list-style-type: none"> • Enchufe el cargador en un tomacorriente que funcione. • Reemplace el fusible quemado. (Si repetidamente el producto hace que el fusible del circuito se quemé, deje de utilizarlo inmediatamente y haga que le realicen mantenimiento en un centro de mantenimiento BLACK+DECKER o en un centro de servicio autorizado.)
	<ul style="list-style-type: none"> • El interruptor automático está activado. 	<ul style="list-style-type: none"> • Reinicie el interruptor automático. (Si repetidamente el producto hace que el fusible del circuito se quemé, deje de utilizarlo inmediatamente y haga que le realicen mantenimiento en un centro de mantenimiento BLACK+DECKER o en un centro de servicio autorizado.)
	<ul style="list-style-type: none"> • Interruptor o cable dañado. 	<ul style="list-style-type: none"> • Haga reparar el cable o el interruptor en un centro de mantenimiento BLACK+DECKER o en un centro de mantenimiento autorizado.

Para conocer la ubicación del centro de servicio más cercano a fin de recibir ayuda con su producto, visite nuestro sitio Web www.blackanddecker.com.mx o llame a la línea de ayuda BLACK+DECKER al **01 800 847 2309/01 800 847 2312**.

· **GARANTÍA BLACK+DECKER · BLACK+DECKER WARRANTY**
· **SOLAMENTE PARA PROPOSITOS DE MEXICO**

Distributor Name · *Sello firma del distribuidor*

Date of purchase · *Fecha de compra*

Invoice No. · No. de factura

PRODUCT INFORMATION · *IDENTIFICACIÓN DEL PRODUCTO*

Cat. No. · *Catalogo ó Modelo*

Serial Number · No. de serie

Name · *Nombre*

Last Name · Apellido

Address · *Dirección*

City · *Ciudad*

State · Estado

Postal Code · *Código Postal*

Country · País

Telephone · *No. Teléfono*

2 AÑOS DE GARANTIA

Este producto cuenta con dos años de garantía a partir de la fecha de compra contra cualquier defecto de su funcionamiento, así como cualquier falla debido a materiales empleados para su fabricación ó mano de obra defectuosa.

Nuestra garantía incluye la reparación o reposición del producto y/o componentes sin cargo alguno para el cliente incluyendo la mano de obra, esta incluye los gastos de trasportación erogados para lograr cumplimiento de esta garantía en los domicilios diversos señalados.

Para hacer efectiva esta garantía deberá presentar su herramienta y esta póliza sellada por el establecimiento comercial donde se adquirió el producto.

Nos comprometemos a entregar el producto en un lapso no mayor a 30 días hábiles contados a partir de la fecha de recepción del mismo en nuestros talleres de servicio autorizados.

ESTA GARANTIA NO APLICA CUANDO:

El producto se hubiese utilizado en condiciones distintas a las normales.

El producto no hubiese sido operado de acuerdo con el instructivo de uso que se acompaña.

El producto hubiese sido alterado o reparado por personas no autorizadas por nosotros.

Importador: Black & Decker S.A. de .C.V

Bosque de Cidros Acceso Radiatas No.42

3ra.Seccion de Bosques de las lomas

C.P.05120, Mexico, D.F. Tel: (01 55) 5326 7100

SOLAMENTE PARA PROPOSITOS DE MEXICO

Grupo Realsa en herramientas, S.A. de C.V.

Súper Manzana 69 MZ.01 Lote 30
(Av. Torcasita)
Col. Puerto Juárez
Cancún, Quintana Roo
Tel. 01 998 884 72 27

Ferre Pat de Puebla, S.A. de C.V.

16 de Septiembre No. 6149
Col. El Cerrito
Puebla, Puebla
Tel. 01 222 264 12 12

Ferre Pat de Puebla, S.A. de C.V.

Ejército Mexicano No. 15
Col. Ejido 1ro. de Mayo
Boca del Río, Veracruz
Tel. 01 229 167 89 89

Servicio de Fabrica BLACK+DECKER, S.A. de C.V.

Lázaro Cardenas No. 18
Col. Obrera
Distrito Federal
Tel. 55 88 95 02

Representaciones Industriales Robles, S.A. de C.V.

Tezozomoc No. 89
Col. La Preciosa
Distrito Federal
Tel. 55 61 86 82

Gpo. Comercial de Htas. y Refacciones de Occidente, S.A. de C.V.

Av. La Paz No. 1779
Col. Americana, S. Juárez
Guadalajara, Jalisco
Tel. 01 33 38 25 69 78

Herramientas y Equipos Profesionales

Av. Colón 2915 Ote.
Col. Francisco I. Madero
Monterrey, Nvo. León
Tel. 01 81 83 54 60 06

Htas. Portátiles de Chihuahua, S.A. de C.V.

Av. Universidad No. 2903
Col. Fracc. Universidad
Chihuahua, Chihuahua
Tel. 01 614 413 64 04

Fernando González Armenta

Bolivia No. 605
Col. Felipe Carrillo Puerto
Cd. Madero, Tamaulipas
Tel. 01 833 221 34 50

Perfiles y Herramientas de Morelia

Gertrudis Bocanegra No. 898
Col. Ventura Puente
Morelia, Michoacán
Tel. 01 443 313 85 50

Enrique Robles

Av. de la Solidaridad No. 12713
Col. La Pradera
Irapuato, Guanajuato
Tel. 01 462 626 67 39

Hernández Martínez Jeanette

Prolongación Corregidora Nte. No. 1104
Col. Arboledas
Queretaro, Qro.
Tel. 01 442 245 25 80

PARA OTRAS LOCALIDADES LLAME AL 01 800 847 2309 o 01 800 847 2312.

BLACK & DECKER S.A. DE C.V.
BOSQUES DE CIDROS ACCESO RADIATAS NO. 42
COL. BOSQUES DE LAS LOMAS.
05120 MÉXICO, D.F.
TEL. (01 55) 5326 7100
01 800 847 2309/01 800 847 2312